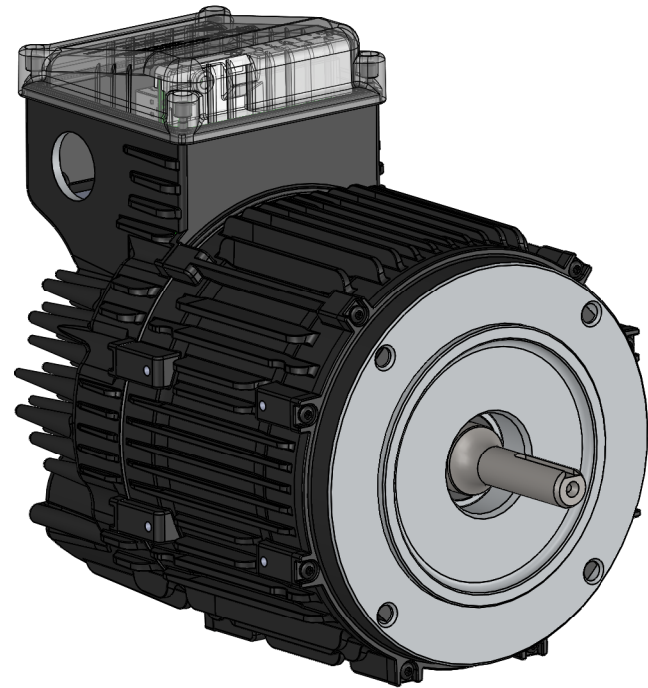
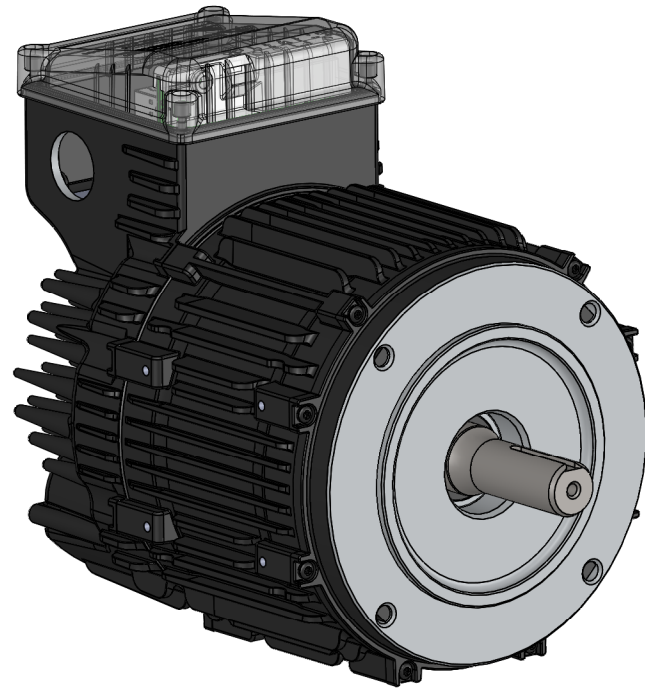


Teknic ClearPath[®]

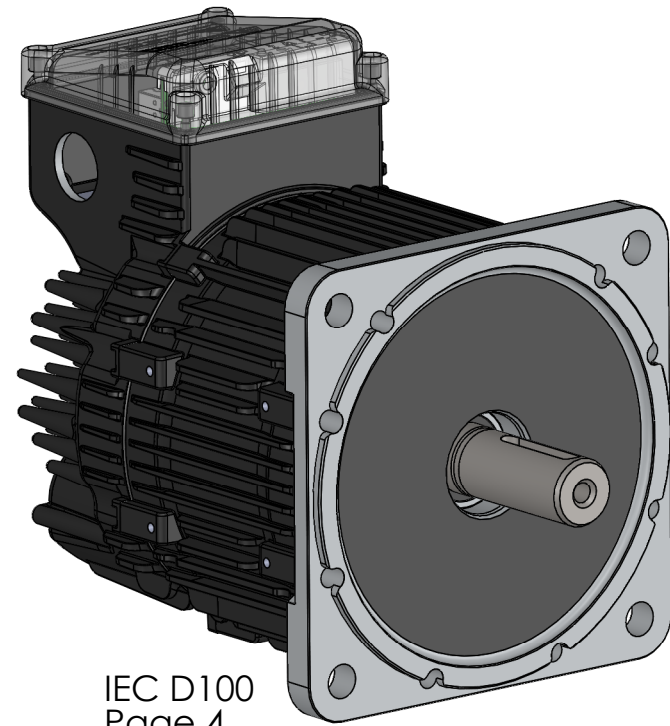
Integral Horsepower Motors & Accessories



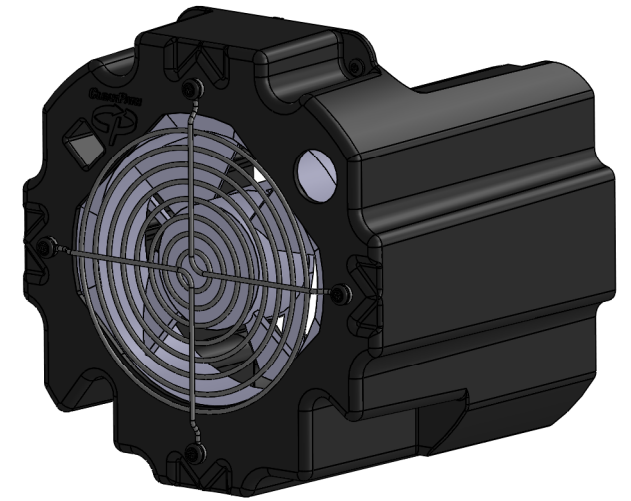
NEMA 56
Page 2



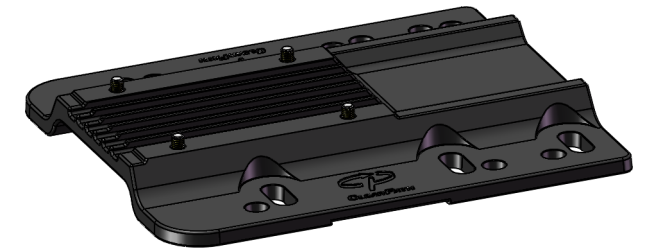
NEMA 143/145
Page 3



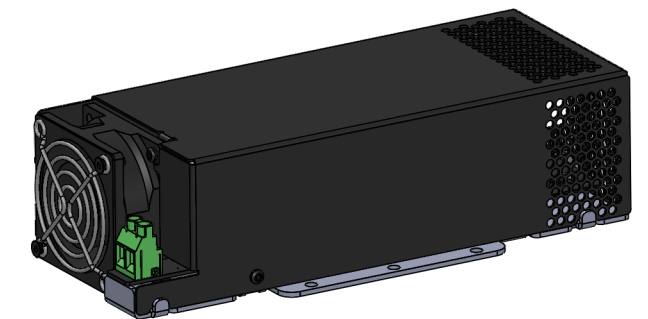
IEC D100
Page 4



Blower Kit
Page 5



Foot Mount Kit
Page 6



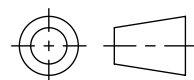
Regenerated
Energy Shunt
Page 7

Sheet Scale 1:3

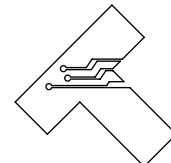
Teknic, Incorporated

Victor, NY 14564 USA

This document and related electronic files are the sole property of Teknic, Incorporated and contain proprietary information.



Third-Angle Projection



Drawn By: MB
 Filename: D1198 ClearPath Integral HP Motors & Accessories
 Drawn Date: 10/17/2018
 Saved Date: 2/25/2019

DWG. NO./REV
D1198/B

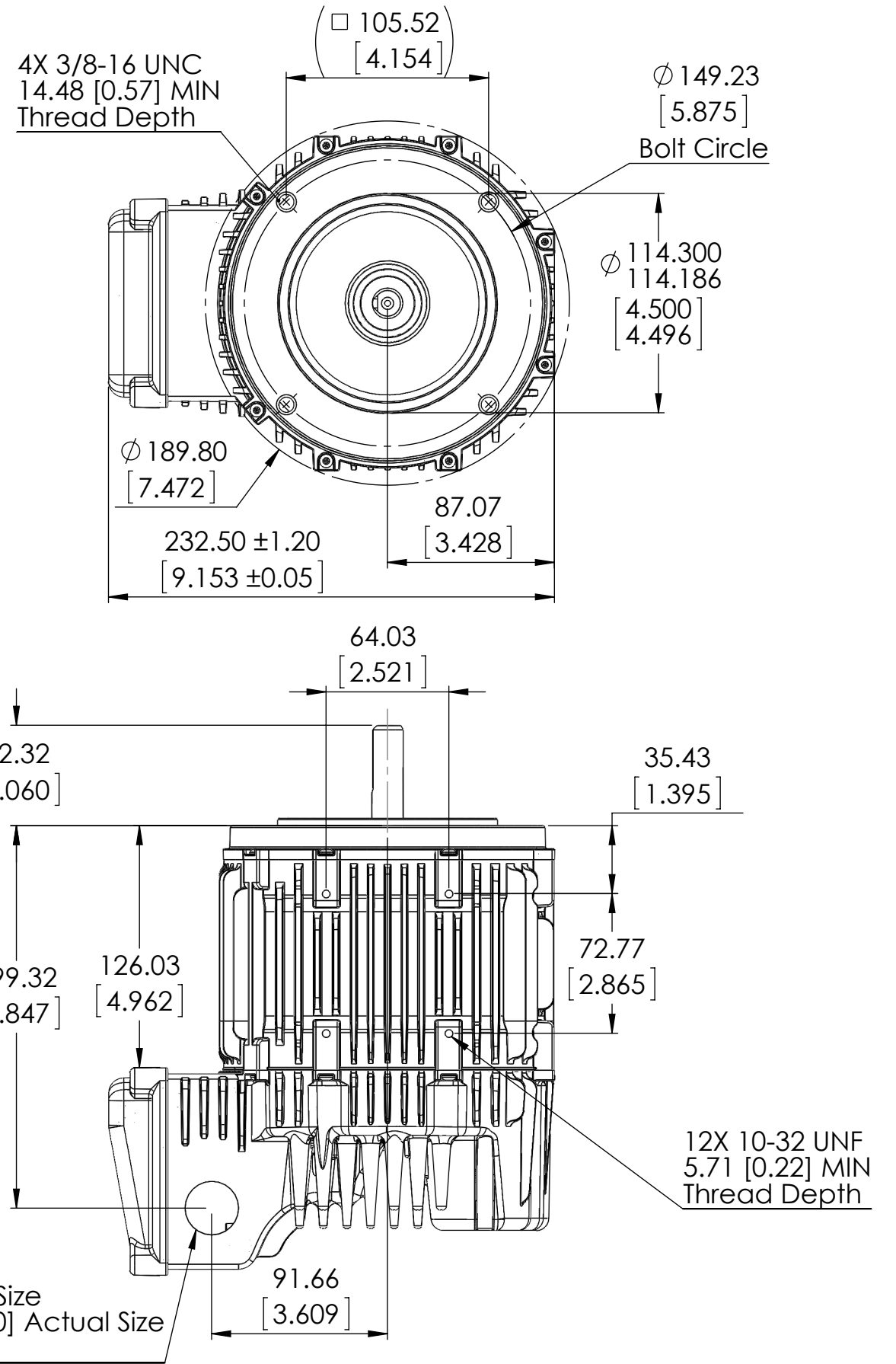
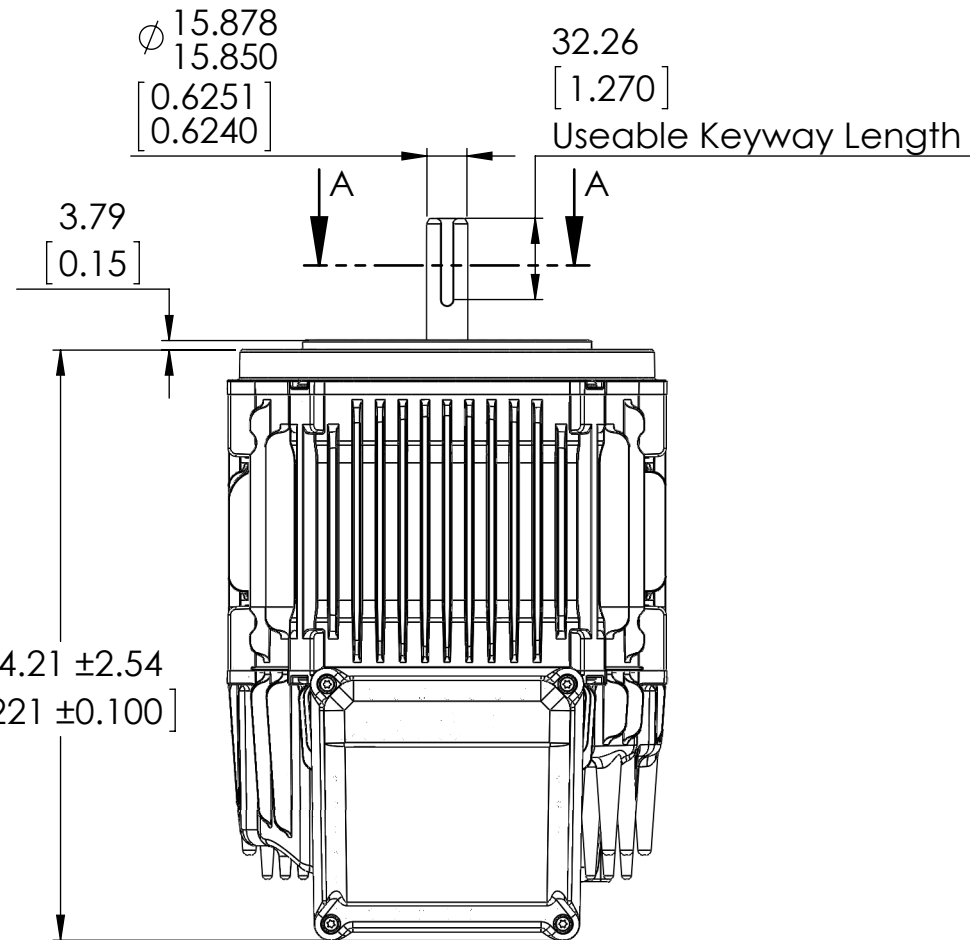
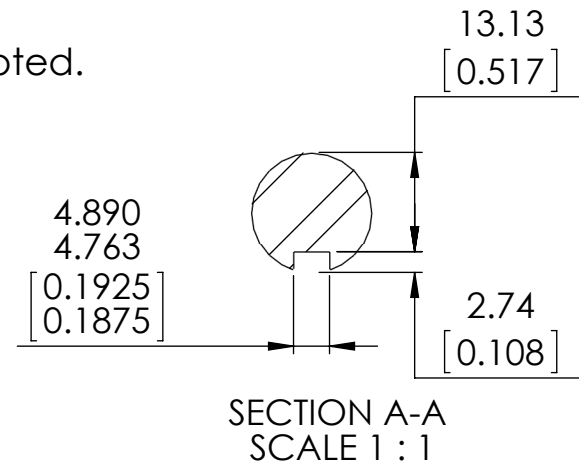
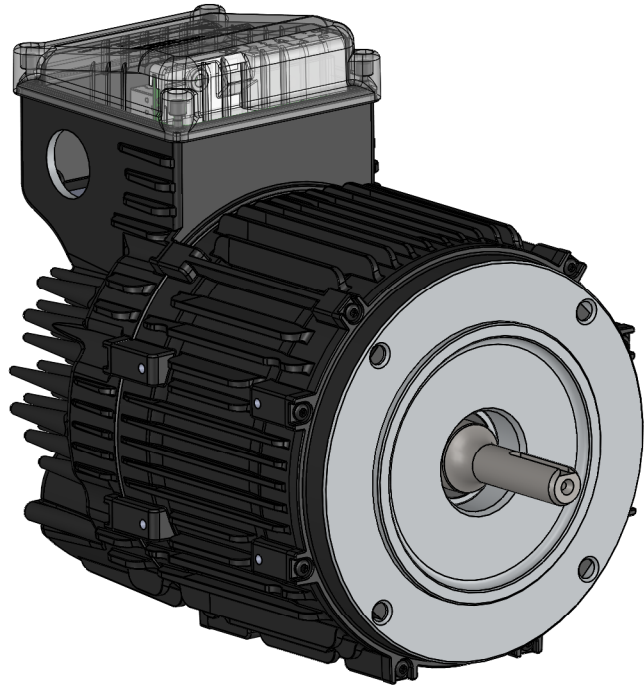
TITLE: ClearPath Integral HP Motors & Accessories

1 of 7 Pages

NEMA 56

0.625" Shaft ϕ

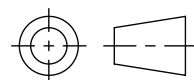
All dimensions are in mm [inch] unless otherwise noted.
Sheet Scale 1:3



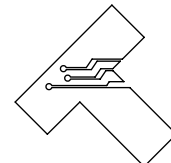
Unless otherwise specified, untoleranced dimensions default to:
X.XX: \pm .25mm [0.010]
X.XXX: \pm .125mm [0.005]

Teknic, Incorporated
Victor, NY 14564 USA

This document and related electronic files are the sole property of Teknic, Incorporated and contain proprietary information.



Third-Angle Projection



Drawn By: MB
Filename: D1198 ClearPath Integral HP Motors & Accessories
Drawn Date: 10/17/2018
Saved Date: 2/25/2019

DWG. NO./REV
D1198/B

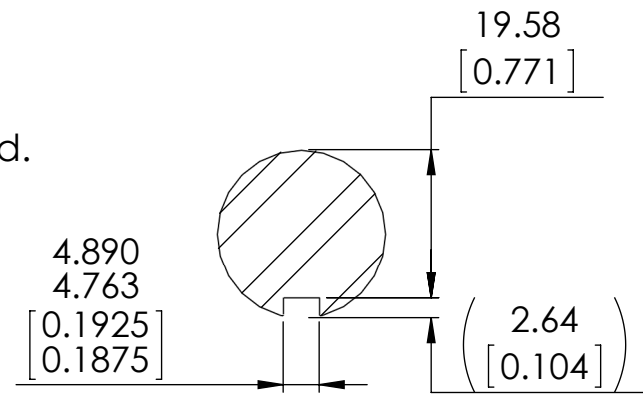
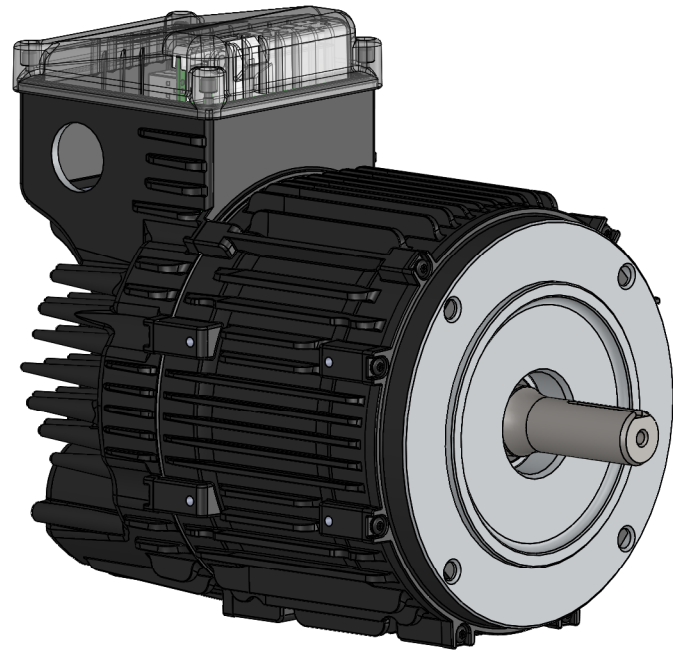
TITLE: ClearPath Integral HP Motors & Accessories

2
of 7
Pages

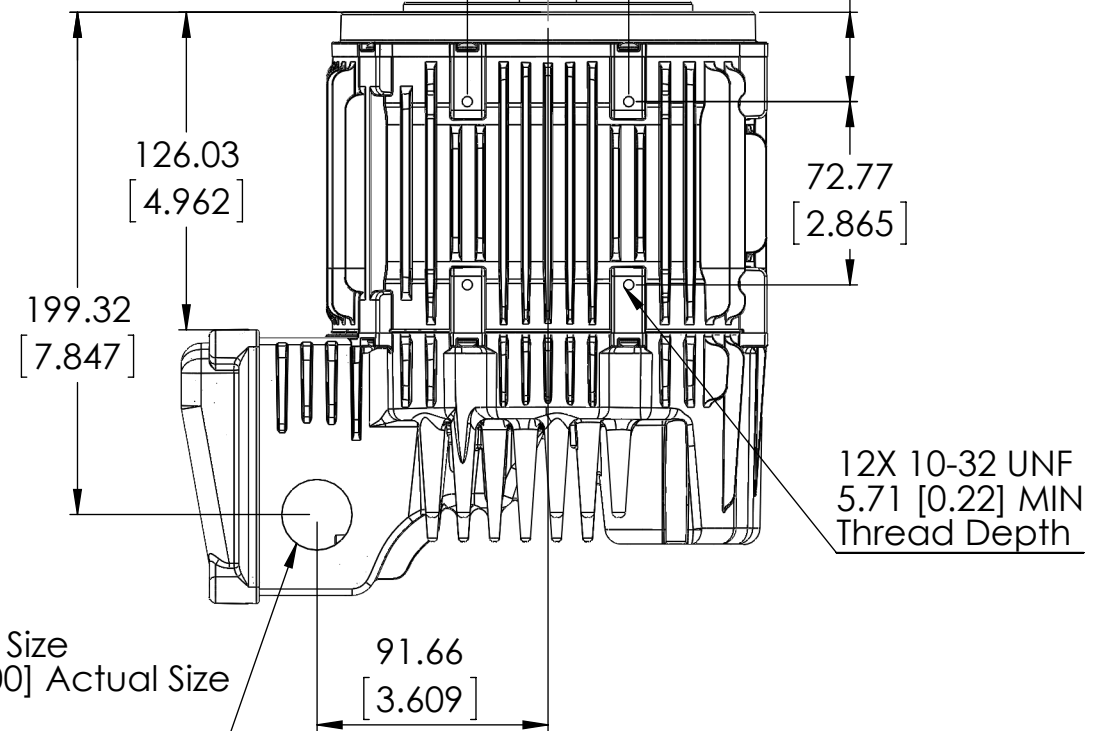
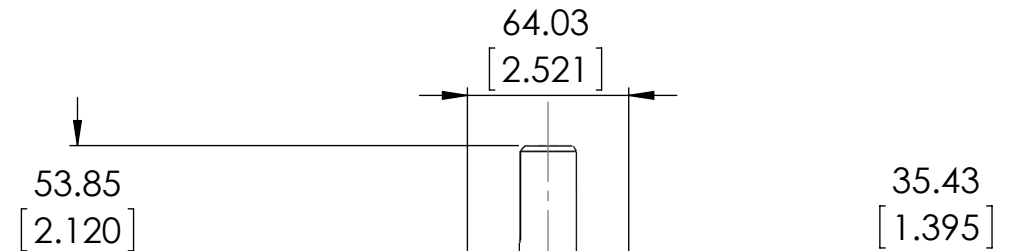
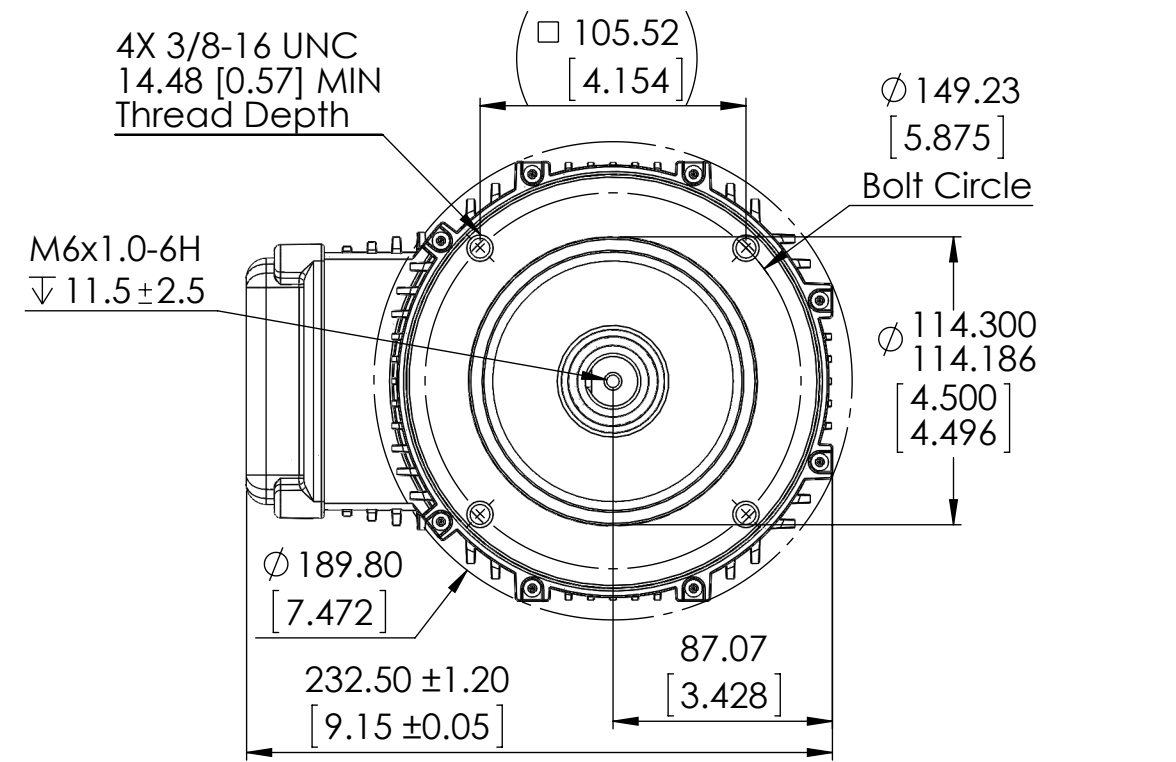
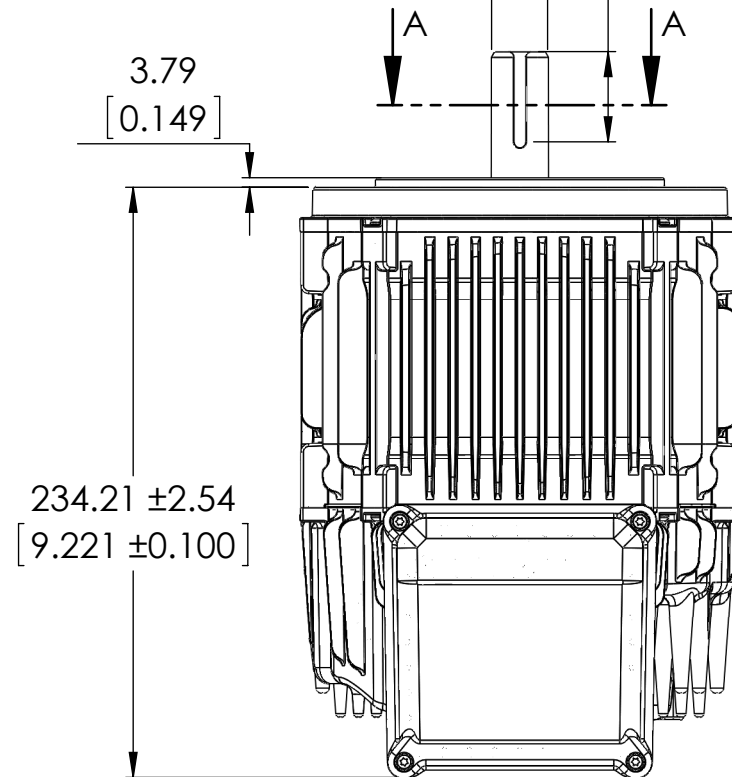
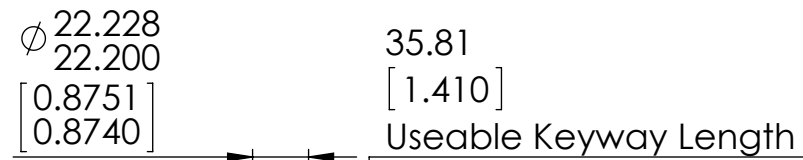
NEMA 143/145

0.875" Shaft ϕ

All dimensions are in mm [inch] unless otherwise noted.
Sheet Scale 1:3



SECTION A-A
SCALE 1:1



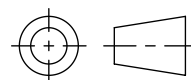
3/4" Trade Size
27.94 [1.100] Actual Size
Both Sides

Unless otherwise specified, untoleranced dimensions default to:
X.XX: ± .25mm [0.010]
X.XXX: ± .125mm [0.005]

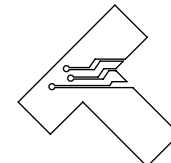
Teknic, Incorporated

Victor, NY 14564 USA

This document and related electronic files are the sole property of Teknic, Incorporated and contain proprietary information.



Third-Angle Projection



Drawn By: MB
Filename: D1198 ClearPath Integral HP Motors & Accessories
Drawn Date: 10/17/2018
Saved Date: 2/25/2019

DWG. NO./REV
D1198/B

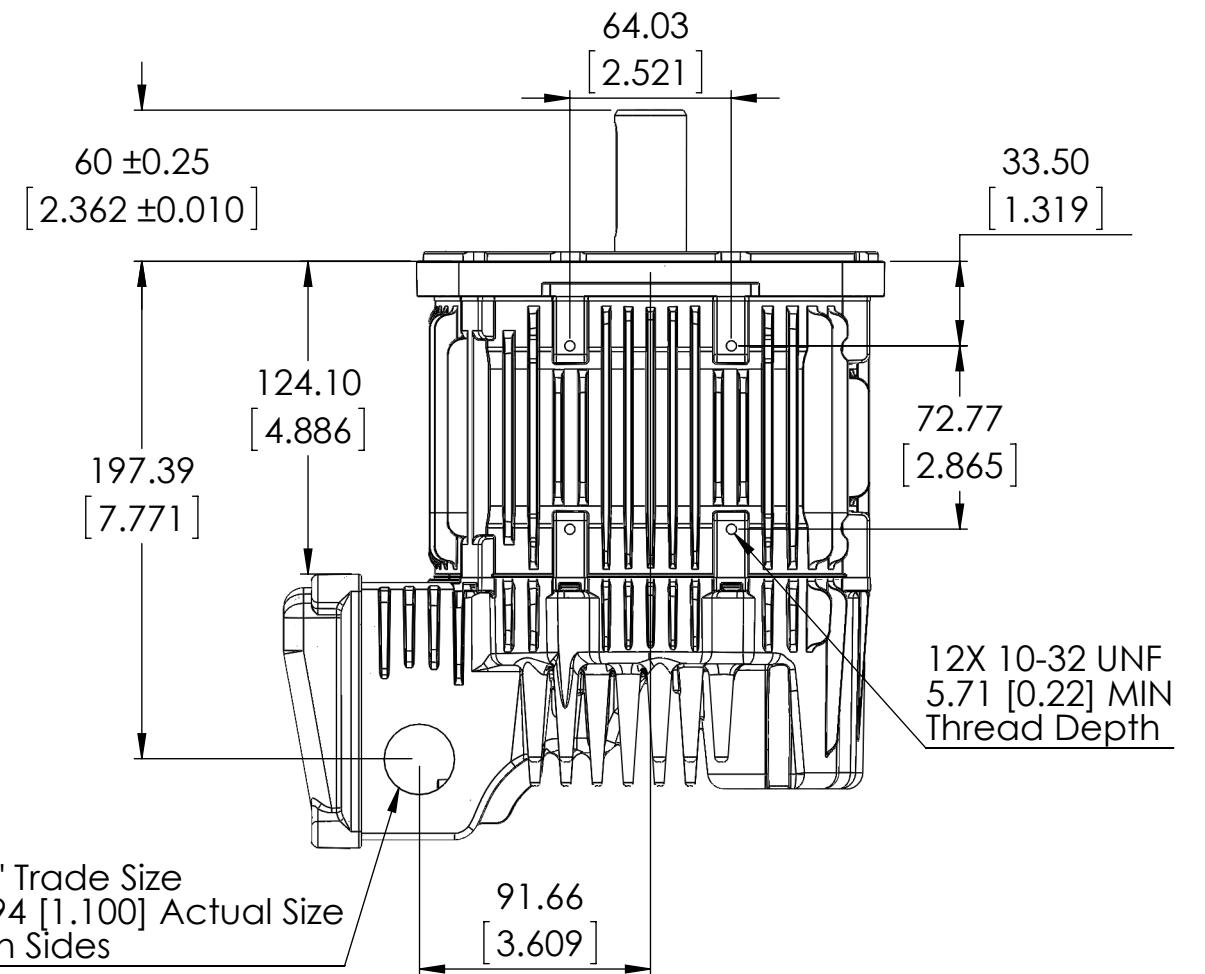
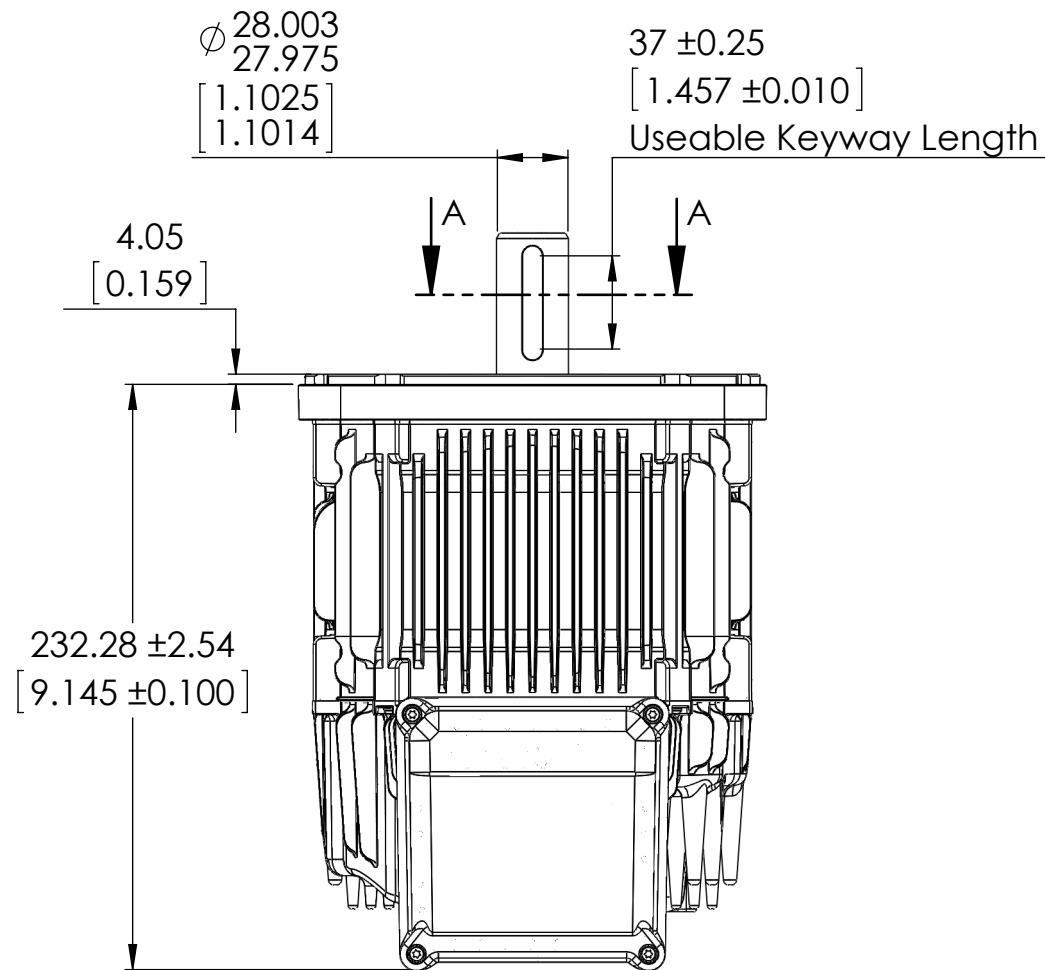
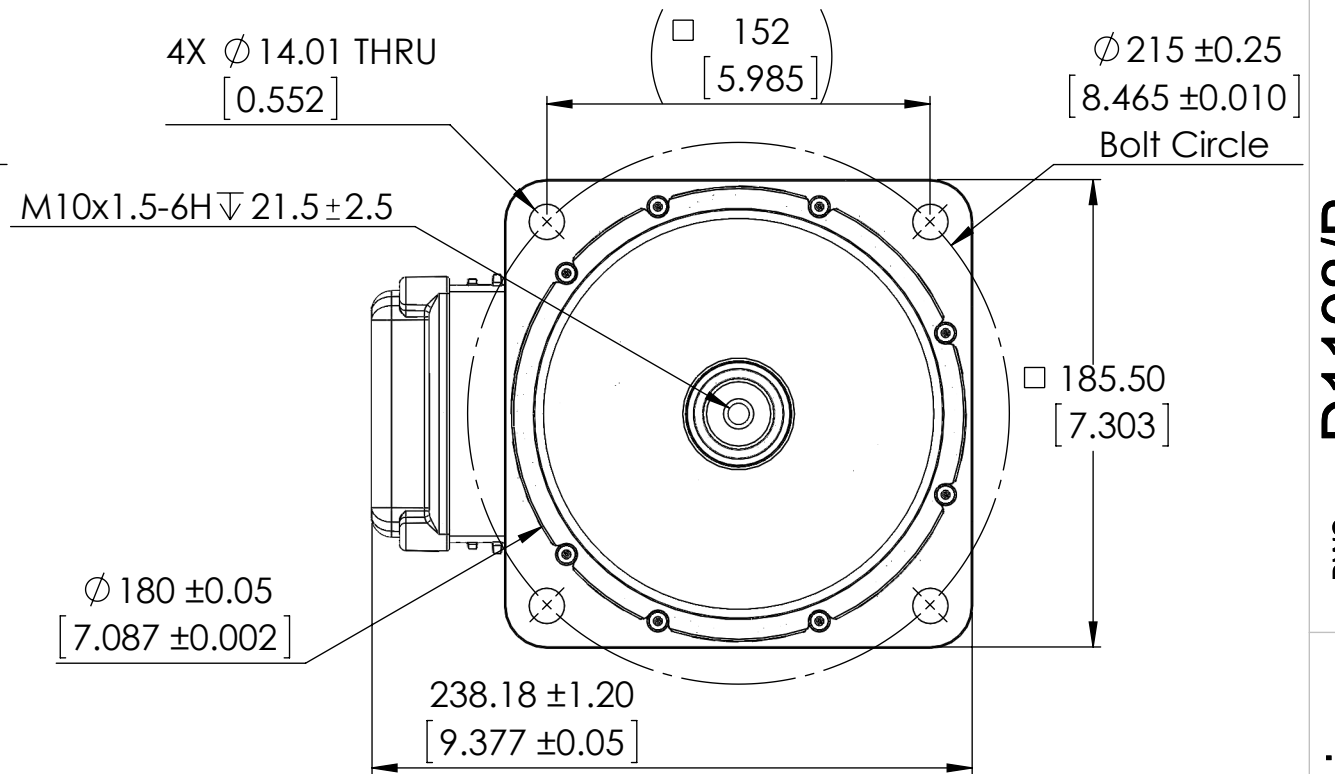
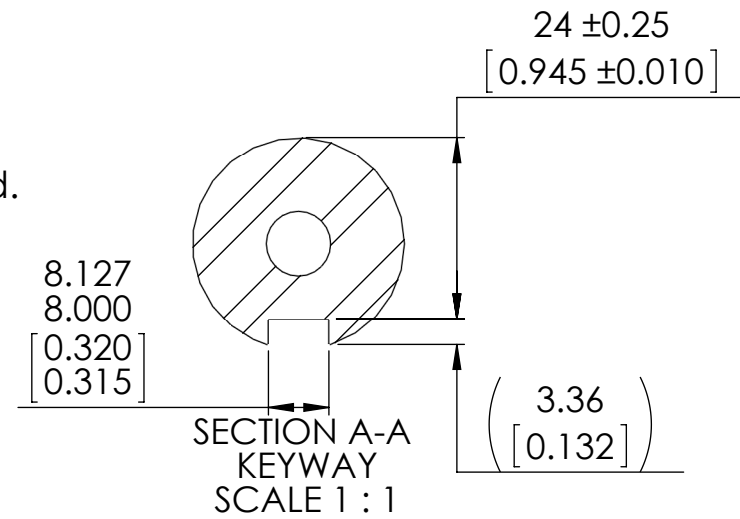
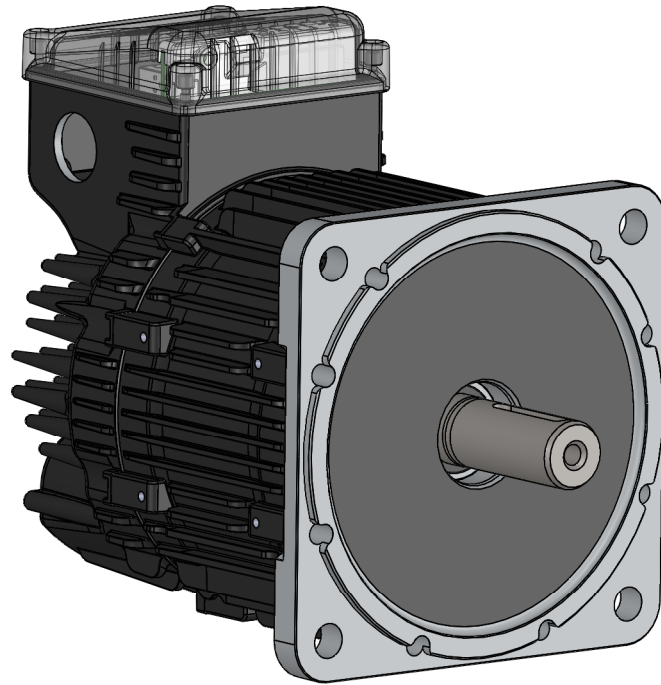
TITLE: **ClearPath Integral HP Motors & Accessories**

3
of 7 Pages

IEC D100

28mm Shaft ϕ

All dimensions are in mm [inch] unless otherwise noted.
Sheet Scale 1:3

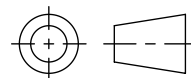


Unless otherwise specified, untoleranced dimensions default to:
X.XX: ± .25mm [0.010]
X.XXX: ± .125mm [0.005]

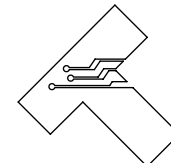
Teknic, Incorporated

Victor, NY 14564 USA

This document and related electronic files are the sole property of Teknic, Incorporated and contain proprietary information.



Third-Angle Projection



Drawn By: MB
Filename: D1198 ClearPath Integral HP Motors & Accessories
Drawn Date: 10/17/2018
Saved Date: 2/25/2019

DWG. NO./REV

D1198/B

TITLE: ClearPath Integral HP Motors & Accessories

4

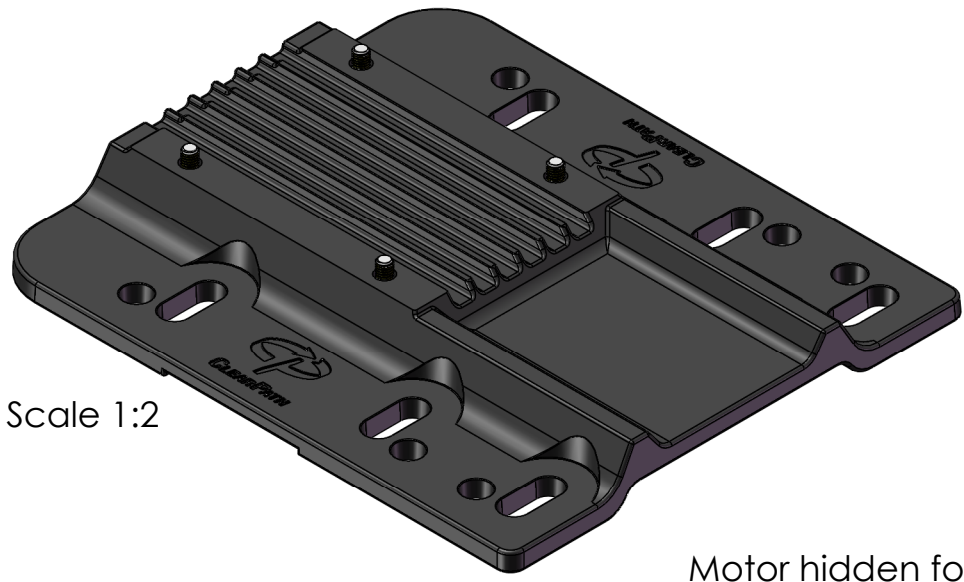
of 7 Pages

Foot Mount Kit

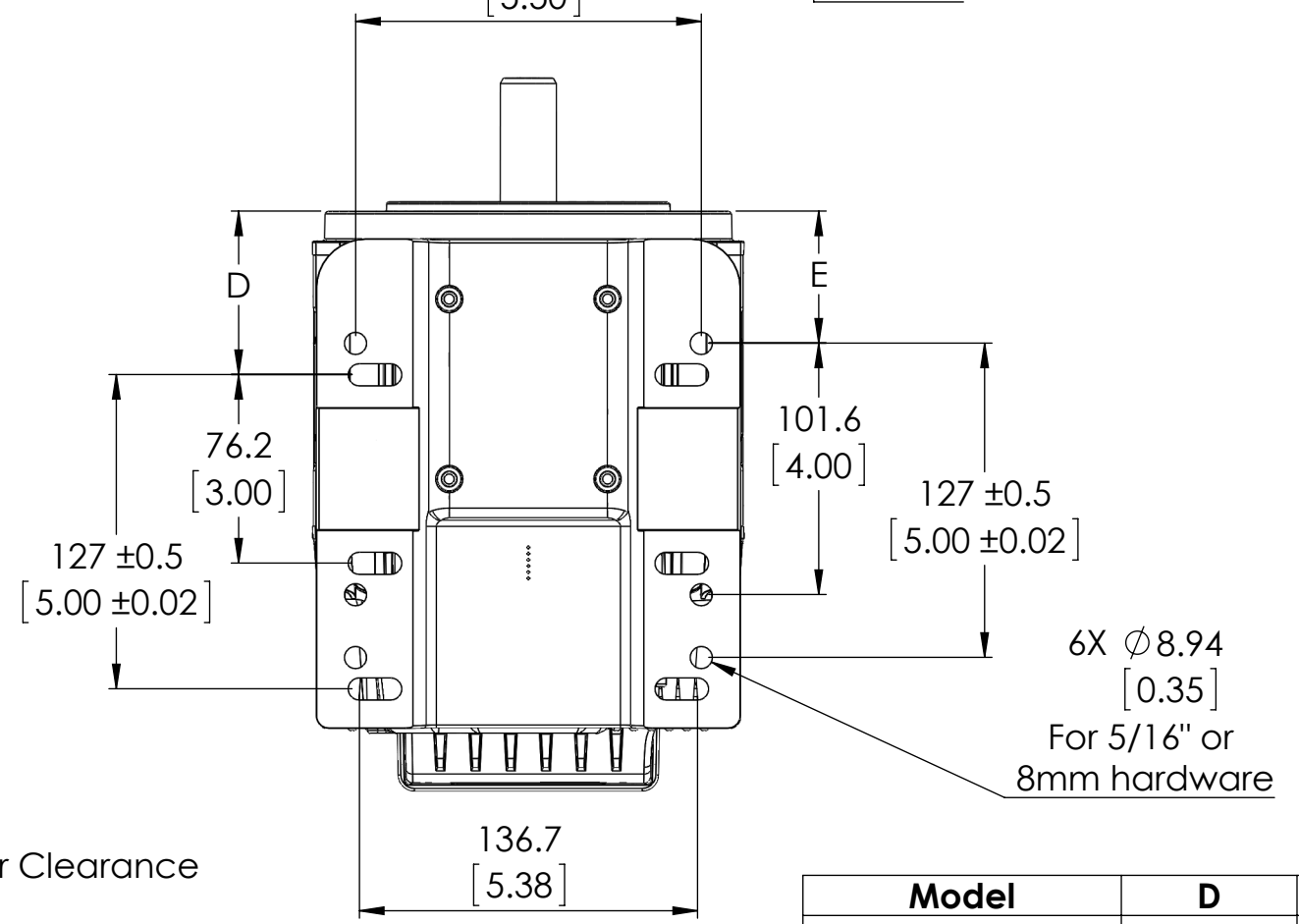
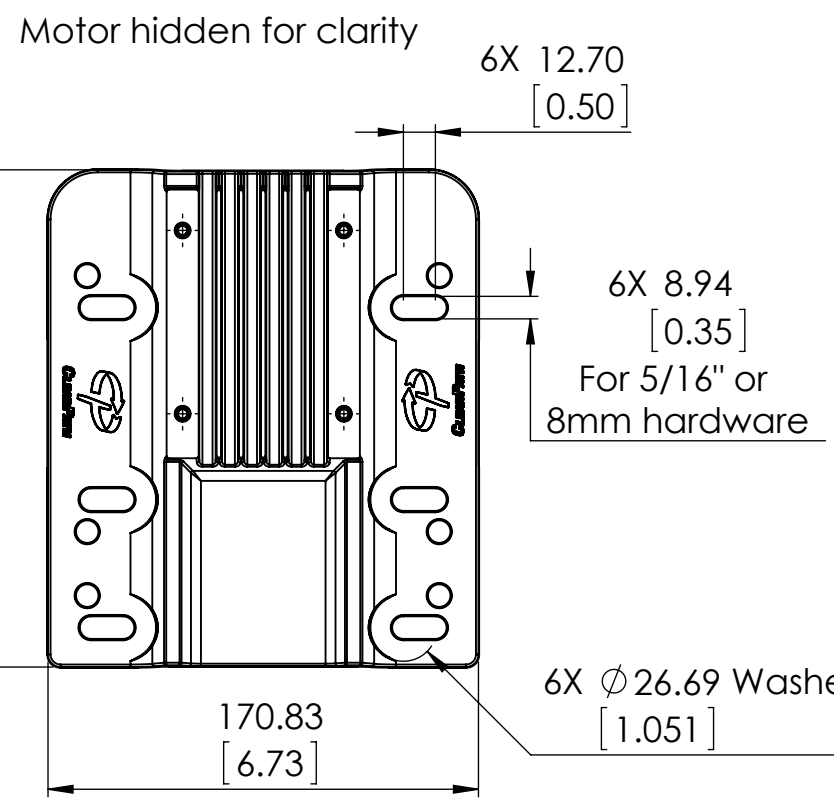
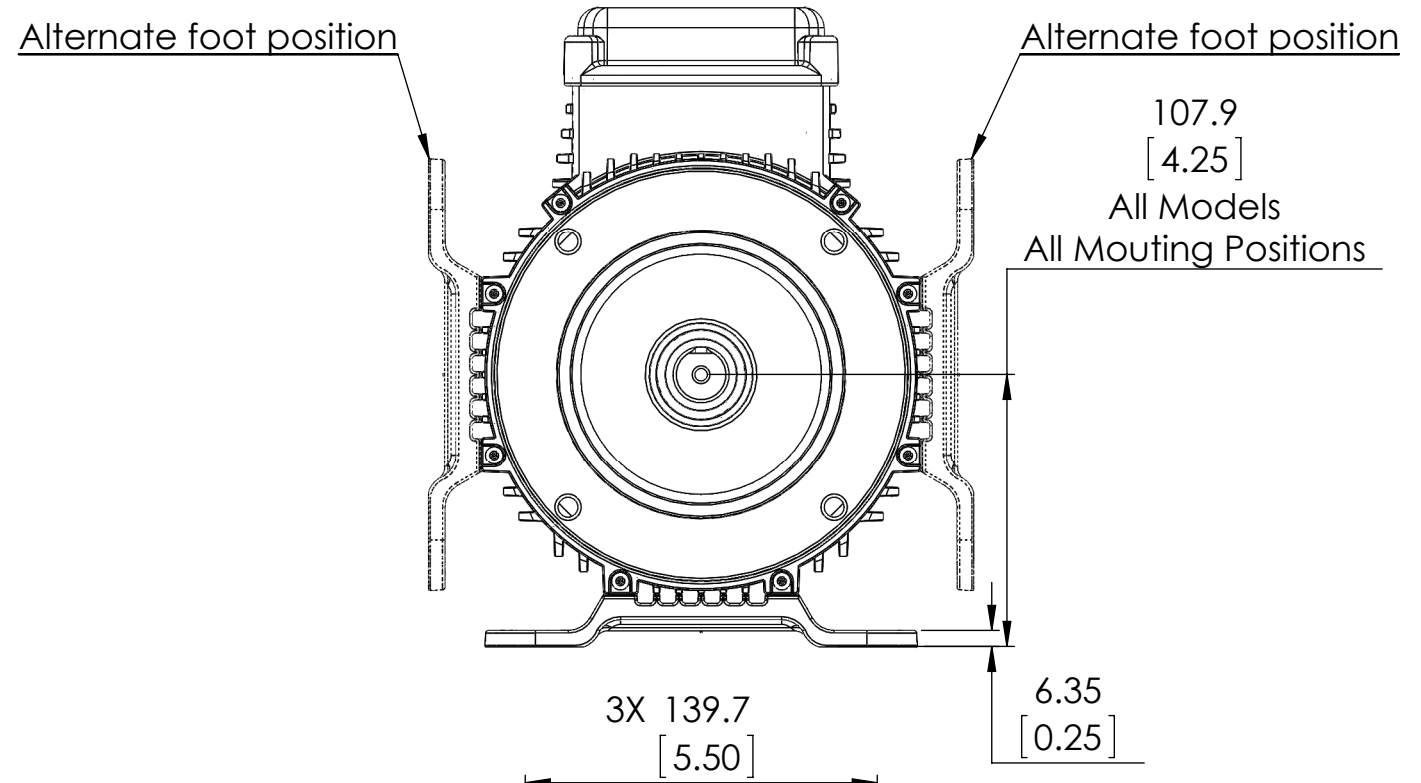
P/N: FOOT-56-14X

Available for all models

Hardware included: 4 #10-32 x 3/8" Socket Head Screws
 All dimensions are in mm [inch] unless otherwise noted.
 Sheet Scale 1:3



Scale 1:2

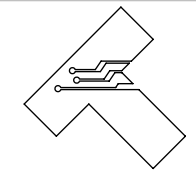
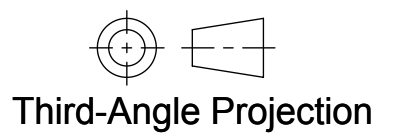


Unless otherwise specified, untoleranced dimensions default to:
X.X: ± .5mm [0.020]
X.XX: ± .25mm [0.010]
X.XXX: ± .125mm [0.005]

Model	D	E
NEMA 56/143/145	66.1 [2.60]	53.4 [2.10]
IEC D100	60.1 [2.37]	47.6 [1.87]

Teknic, Incorporated
 Victor, NY 14564 USA

This document and related electronic files are the sole property of Teknic, Incorporated and contain proprietary information.



Drawn By: MB
 Filename: D1198 ClearPath Integral HP Motors & Accessories
 Drawn Date: 10/17/2018
 Saved Date: 2/25/2019

DWG. NO./REV
D1198/B

TITLE: **ClearPath Integral HP Motors & Accessories**

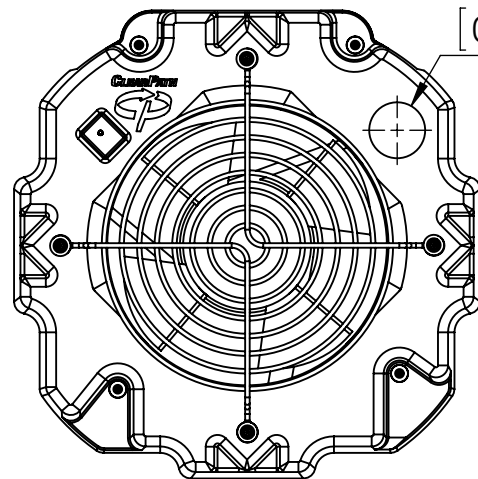
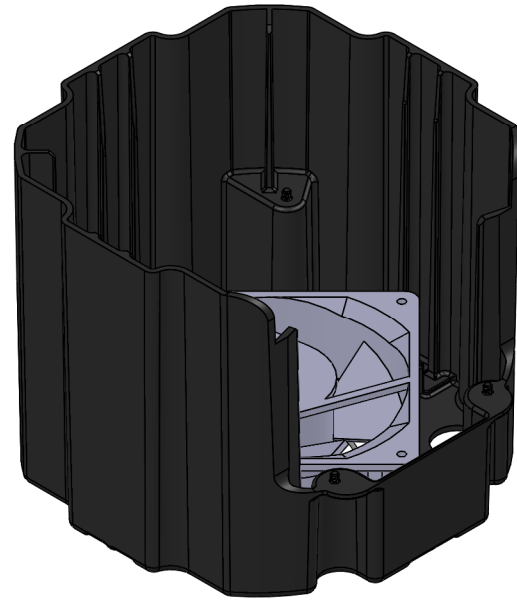
5
 of 7 Pages

Blower Kit

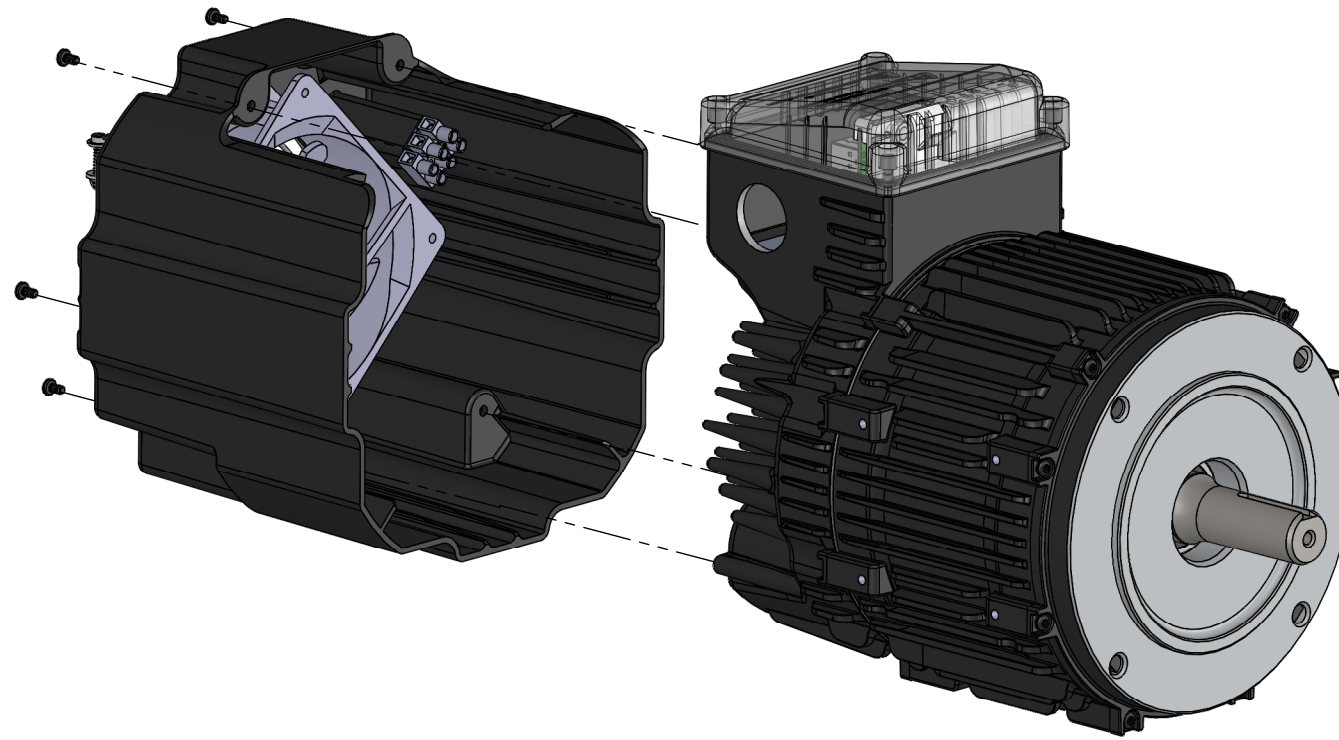
P/N: BLOWER-1P230V

Available for all models

Hardware included: 4 #6-32 x 1/4" Pan Head Screws
 All dimensions are in mm [inch] unless otherwise noted.
 Sheet Scale 1:3

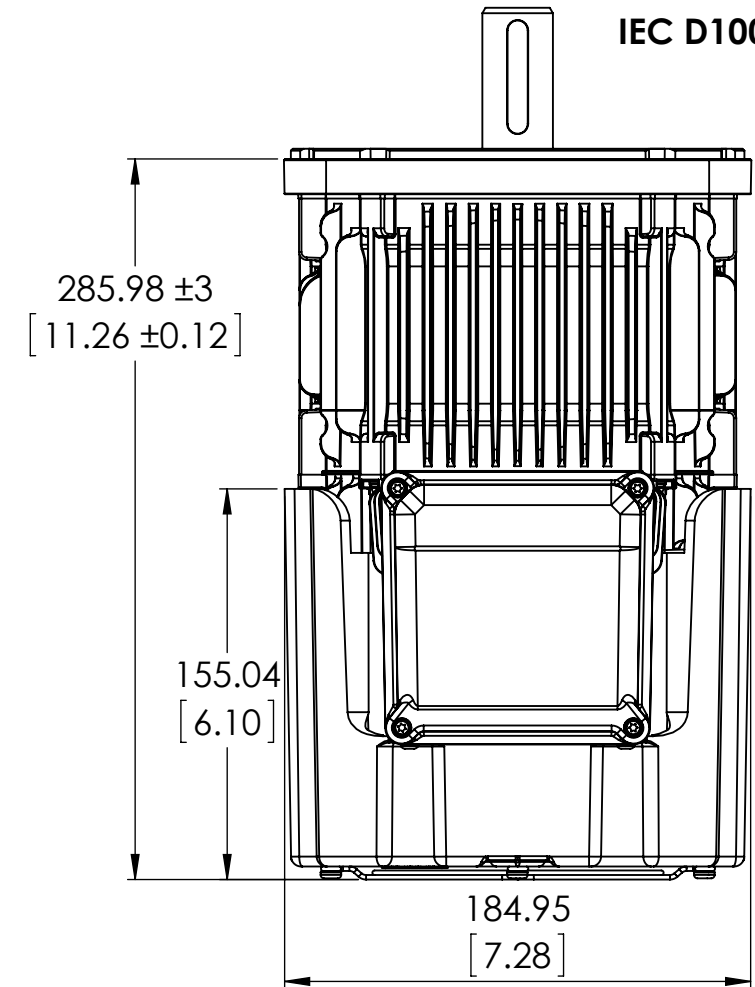
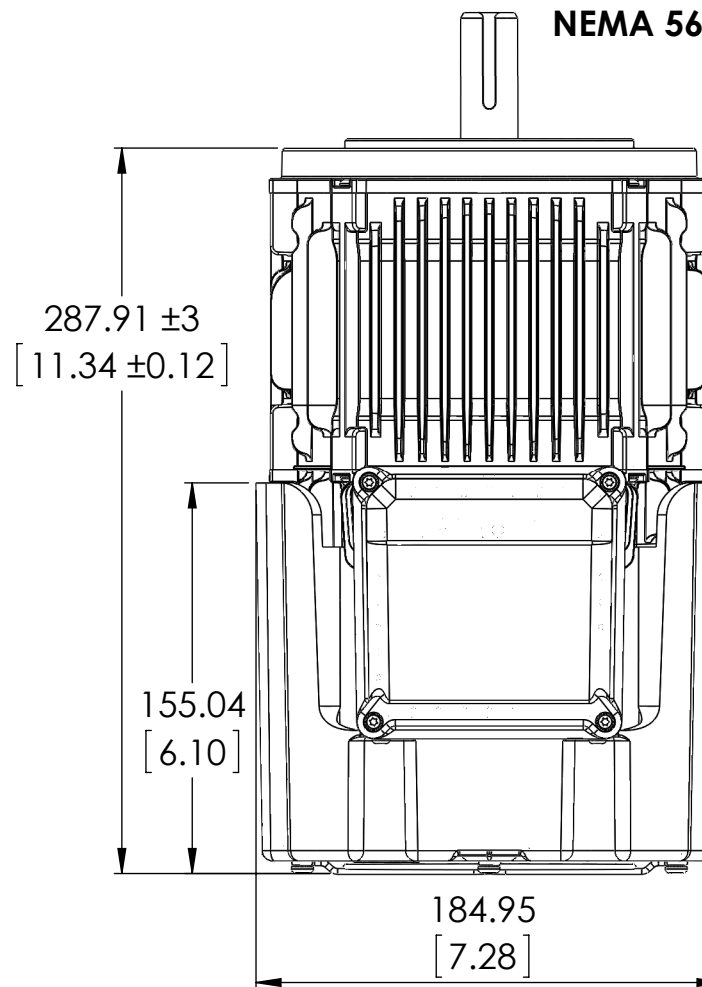


1/2" Trade Size
 $\phi 22.23$ Actual Size
 [0.875]



NEMA 56/143/145

IEC D100

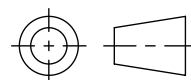


Unless otherwise specified, untoleranced dimensions default to:
 X.XX: $\pm .25\text{mm}$ [0.010]
 X.XXX: $\pm .125\text{mm}$ [0.005]

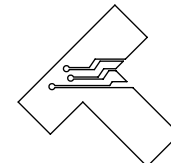
Teknic, Incorporated

Victor, NY 14564 USA

This document and related electronic files are the sole property of Teknic, Incorporated and contain proprietary information.



Third-Angle Projection



Drawn By: MB
 Filename: D1198 ClearPath Integral HP Motors & Accessories
 Drawn Date: 10/17/2018
 Saved Date: 2/25/2019

DWG. NO./REV
 D1198/B

TITLE: ClearPath Integral HP Motors & Accessories

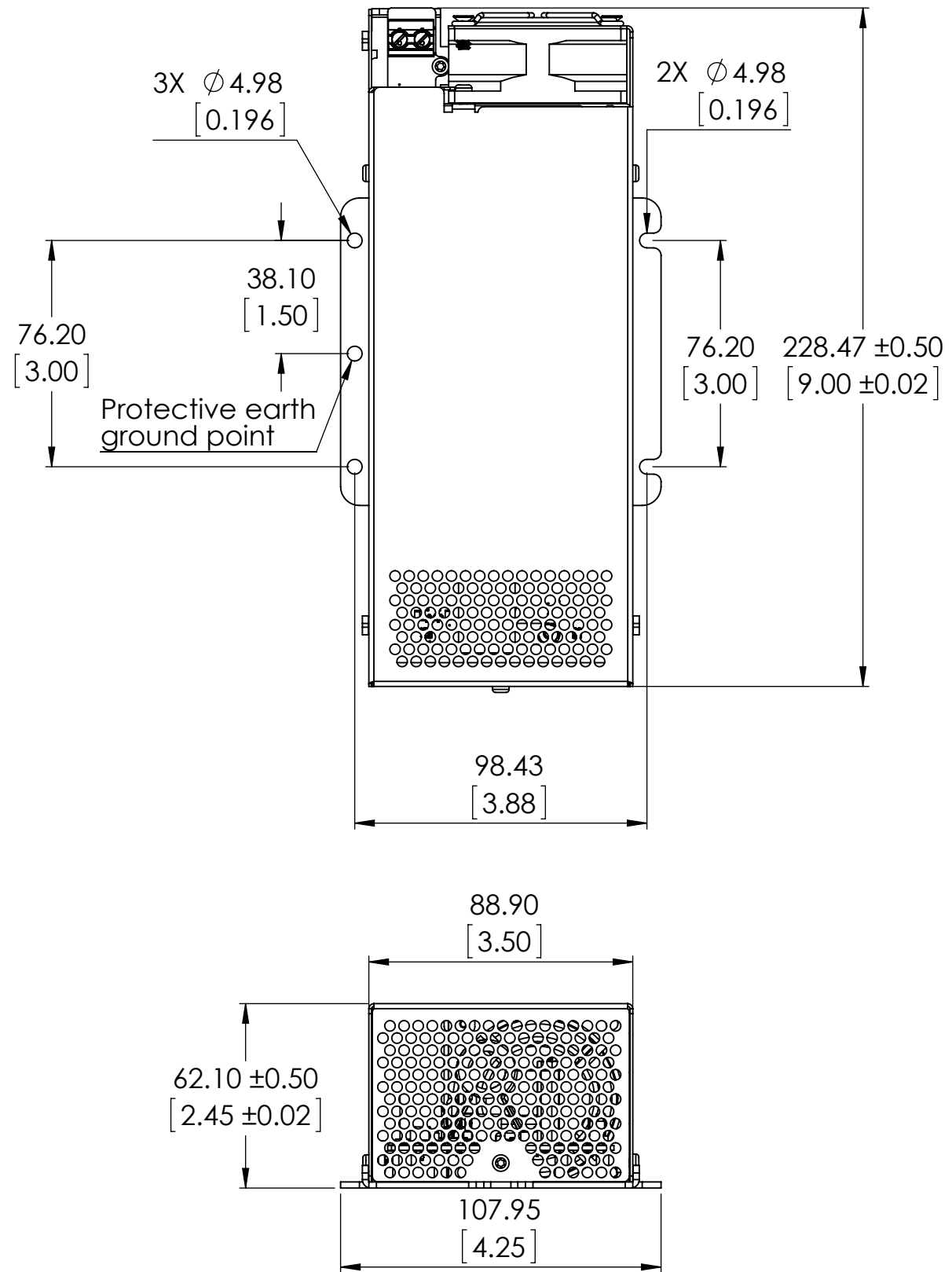
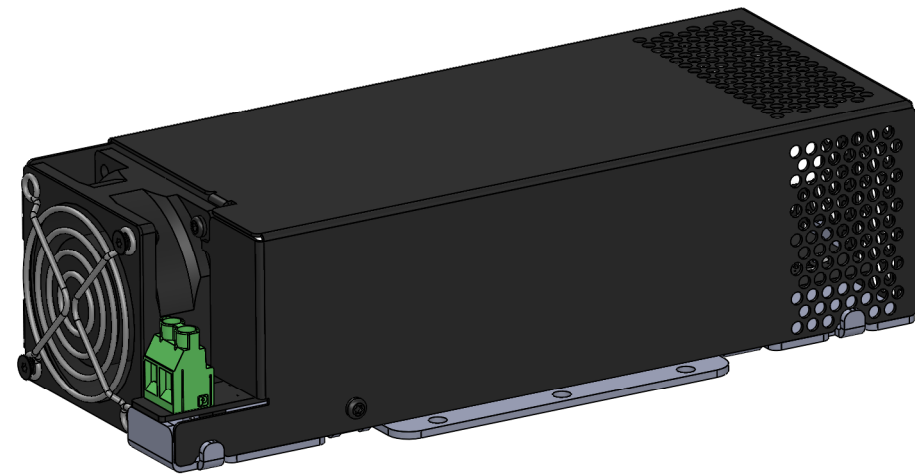
6 of 7 Pages

Regenerated Energy Shunt

P/N: RES-225

Available for all models

See manual for proper mounting orientation.
 All dimensions are in mm [inch] unless otherwise noted.
 Sheet Scale 1:2

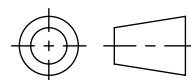


Unless otherwise specified untoleranced dimensions default to:
 X.XX: $\pm .25\text{mm}$
 X.XXX: $\pm .125\text{mm}$

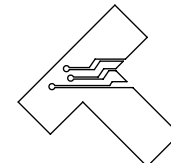
Teknic, Incorporated

Victor, NY 14564 USA

This document and related electronic files are the sole property of Teknic, Incorporated and contain proprietary information.



Third-Angle Projection



Drawn By: MB
 Filename: D1198 ClearPath Integral HP Motors & Accessories
 Drawn Date: 10/17/2018
 Saved Date: 2/25/2019

DWG. NO./REV

D1198/B

TITLE: ClearPath Integral HP Motors & Accessories

7 of 7 Pages