



SEBP1554-21 (en-us)
October 2018

VOLUME II
Pages 799-1306

Parts Manual

3512 Marine Engine

50Y647-1304 (Engine)
66Z190-578 (Engine)

Product and Dealer Information

Note: For product identification plate locations, see the section "Product Identification Information" in the Operation and Maintenance Manual.

Delivery Date: _____

Product Information

Model: _____

Product Identification Number: _____

Engine Serial Number: _____

Transmission Serial Number: _____

Generator Serial Number: _____

Attachment Serial Numbers: _____

Attachment Information: _____

Customer Equipment Number: _____

Dealer Equipment Number: _____

Dealer Information

Name: _____ Branch: _____

Address: _____

Dealer Contact

Phone Number

Hours

Sales: _____

Parts: _____

Service: _____

MEMORANDA

TABLE OF CONTENTS

NAME	PAGE	NAME	PAGE
GENERAL INFORMATION.....	A5	KIT-ENGINE GASKET.....	312
REPAIR ALTERNATIVES.....	A7	KIT-ENGINE OVERHAUL.....	320
SUPPLEMENTAL COOLANT ADDITIVES.....	A8	LIFTING GP-ENGINE.....	323
MAINTENANCE PARTS.....	A9	LINER-CYLINDER BLOCK.....	325
INDEX.....	A17	MEMBRANE AS.....	326
ENGINE ARRANGEMENT.....	1	MOUNTING GP-ALTERNATOR.....	327
CONVERSION AR-ENGINE.....	1	MOUNTING GP-HYD PUMP DRIVE.....	335
CONVERSION AR-GENERATOR SET.....	2	MOUNTING GP-SOUND ISOLATION.....	343
ENGINE AR.....	4	PAN GP-OIL.....	345
ENGINE AR-COMPLETE.....	20	PARTS GP-ENGINE OVERHAUL.....	362
BASIC ENGINE.....	24	PISTON & ROD GP.....	366
AIR COMPRESSOR GP.....	24	PLUG GP-FLYWHEEL HOUSING.....	380
BARRING GP.....	41	POWER TAKE-OFF GP.....	381
BASE GP-VALVE COVER.....	43	PULLEY AS-CRANKSHAFT.....	391
CAMSHAFT GP.....	44	PULLEY GP-AUXILIARY DRIVE.....	393
CLUTCH AS.....	50	RING GP-PISTON.....	401
CLUTCH GP.....	52	SEAL AS-WATER.....	402
COUPLING GP-FLEXIBLE.....	54	SEAL GP-CRANKSHAFT.....	404
COUPLING GP-TORSIONAL.....	72	SHAFT GP-AUXILIARY DRIVE.....	407
COVER GP-ACCESSORY DRIVE.....	82	SHAFT GP-STUB.....	417
COVER GP-CAMSHAFT.....	84	SUPPORT GP-ENGINE.....	420
COVER GP-CYLINDER BLOCK.....	86	SUPPORT GP-POWER TAKE-OFF.....	423
COVER GP-FLYWHEEL HOUSING.....	91	TRUNNION GP-ENGINE.....	424
COVER GP-FRONT HOUSING.....	100	VALVE GP-EXPLOSION RELIEF.....	425
COVER GP-OIL PAN.....	103	VALVE MECHANISM GP.....	428
COVER GP-VALVE MECHANISM.....	106	LUBRICATION SYSTEM.....	440
CRANKSHAFT AS.....	111	BREATHER GP.....	440
CRANKSHAFT GP.....	112	CONNECTION GP-OIL.....	447
CYLINDER BLOCK AS.....	116	FILLER GP-ENGINE OIL.....	450
CYLINDER BLOCK GP.....	126	FILTER GP-CENTRIFUGAL.....	453
CYLINDER HEAD AS.....	149	FILTER GP-ENGINE OIL.....	455
CYLINDER HEAD GP.....	155	GAUGE GP-OIL LEVEL (DIPSTICK).....	479
DAMPER GP.....	170	HOSE AS.....	483
DRAIN GP-ENGINE OIL.....	188	INDICATOR GP-OIL FILTER CHANGE.....	494
DRIVE GP-ACCESSORY.....	190	LINES GP-CENTRIFUGAL FILTER.....	495
DRIVE GP-FAN.....	230	LINES GP-ENGINE OIL.....	496
FASTENER GP-VALVE MECHANISM.....	231	LINES GP-OIL SUPPLY.....	513
FLYWHEEL GP.....	232	LINES GP-PRELUBRICATION.....	518
GEAR GP-FRONT.....	238	LINES GP-SUMP.....	525
GEAR GP-REAR.....	266	LINES GP-TURBOCHARGER OIL.....	526
GUARD GP-BELT.....	274	PUMP & LINES GP- PRELUBRICATION.....	534
GUARD GP-COUPLING.....	279	PUMP GP-ENGINE OIL.....	539
GUARD GP-DAMPER.....	281	PUMP GP-PRELUBRICATION.....	552
HOUSING GP-FLYWHEEL.....	283	PUMP GP-SCAVENGE.....	573
HOUSING GP-FRONT.....	291	PUMP GP-SUMP.....	575
KIT-CYLINDER HEAD.....	295	SHIELD GP-ENGINE OIL LINES.....	595
KIT-CYLINDER HEAD GASKET.....	298	VALVE GP-FLUID CONTROL.....	603
KIT-ENGINE CONVERSION.....	300	COOLING SYSTEM.....	604
		CONNECTION GP-EXPANSION TANK.....	604
		CONNECTION GP-TORQUE CONV CLR.....	605
		CONNECTION GP-WATER.....	607

TABLE OF CONTENTS

NAME	PAGE	NAME	PAGE
COOLER GP-ENGINE OIL	611	CONTROL GP-GOVERNOR	972
CORE GP-OIL COOLER	613	COVER GP-GOVERNOR	983
HEAT EXCHANGER GP-SEA		DRIVE GP-GOVERNOR	986
WATER	614	DRIVE GP-TACHOMETER	990
HOUSING & REGULATOR GP	643	FASTENER GP-FUEL INJ PUMP	994
KIT-WATER PUMP	651	FILTER GP-FUEL	1002
LINES GP-AFTERCOOLER WATER	652	FILTER GP-PRIMARY FUEL	1027
LINES GP-AUXILIARY FRESH		FLYWEIGHT GP	1028
WATER	656	GOVERNOR GP	1031
LINES GP-AUXILIARY SEA WATER	664	GOVERNOR GP-ELECTRONIC	1160
LINES GP-TURBOCHARGER		HOUSING GP-GOVERNOR	1161
WATER	684	INJECTOR GP-FUEL	1164
LINES GP-WATER	686	LINES GP-DIVERTER VALVE	1169
PUMP GP-AUXILIARY SEA WATER	714	LINES GP-FLEXIBLE FUEL	1173
PUMP GP-AUXILIARY WATER	750	LINES GP-FUEL INJECTION	1174
PUMP GP-WATER	769	LINES GP-FUEL RATIO	
SEPARATOR GP-AIR	778	CONTROL	1198
SWITCH GP-COOLANT LEVEL	780	LINKAGE GP-GOVERNOR	1205
TANK GP-COOLANT	783	MANIFOLD GP-FUEL	1206
TANK GP-EXPANSION	784	MOUNTING GP-GOVERNOR	
VALVE GP-CHECK	793	ACTUATOR	1208
VALVE GP-DIVERTER	794	PANEL AS-GOVERNOR	1209
VALVE GP-FLUID SAMPLING	798	PUMP GP-FUEL INJECTION	1211
AIR INLET AND EXHAUST SYSTEM	799	PUMP GP-FUEL PRIMING	1234
ADAPTER GP-AIR CLEANER	799	PUMP GP-FUEL TRANSFER	1242
AFTERCOOLER GP-TREATED		PUMP GP-GEAR	1250
WATER	801	PUMP GP-GEROTOR	1252
AFTERCOOLER GP-WATER	803	SHIELD GP-FUEL LINES	1257
AIR CLEANER GP	809	SHUTOFF & OIL FILLER GP	1269
CARTRIDGE GP-TURBOCHARGER	814	SHUTOFF GP-CONTROL	1271
ELBOW GP-EXHAUST	828	SHUTOFF GP-	
ELBOW-EXHAUST	829	HYDROMECHANICAL	1277
FITTING GP-EXHAUST	831	SHUTOFF GP-MANUAL	1296
FLANGE GP-EXHAUST	836	SHUTOFF GP-REMOTE	1299
INDICATOR GP-AIR FILTER		TUBE	1301
CHANGE	843	VALVE GP-FUEL SHUTOFF	1302
KIT-TURBOCHARGER GASKET	844	VALVE GP-PRESSURE CONTROL	1304
LINES GP-AIR	845	VALVE GP-SPEED SENSING	1306
LINES GP-AIR SHUTOFF	858	ELECTRICAL AND STARTING	
LINES GP-TURBOCHARGER AIR	860	SYSTEM	1307
MANIFOLD GP-EXHAUST	871	ALTERNATOR GP-CHARGING	1307
MUFFLER	878	BATTERY CHARGER	1323
MUFFLER GP-SPARK ARRESTOR	881	BATTERY GP	1327
SHIELD AS-HEAT	882	BOX AS-CONTROL	1343
SHIELD GP-EXHAUST	883	BOX GP-JUNCTION	1345
SHIELD GP-HEAT	888	CIRCUIT BREAKER GP	1355
SHIELD GP-TURBOCHARGER	889	CONNECTOR	1357
SHUTOFF GP-AIR	891	CONTACTOR AS	1358
SUPPORT GP-TURBOCHARGER	905	CONTACTOR GP	1359
TURBOCHARGER GP	907	CONTACTOR-PRESSURE	1366
VALVE GP-AIR CONTROL	956	CONTACTOR-TEMPERATURE	1367
FUEL SYSTEM	959	CONTROL & MTG GP-ENGINE	
ACTUATOR GP-GOVERNOR	959	ELEK	1368
CONTROL GP-FUEL INJECTION	961	CONTROL AS-ELECTRONIC	
CONTROL GP-FUEL RATIO	967	GOVERNOR	1373
		CONTROL GP-AIR STARTING	1374

TABLE OF CONTENTS

NAME	PAGE	NAME	PAGE
CONTROL GP-AUTO START/ STOP	1404	SWITCH GP-MAGNETIC	1801
CONTROL GP-ENGINE ELECTRONIC	1405	SWITCH GP-REMOTE STARTING	1806
CONTROL GP-VOLTAGE	1408	SWITCH GP-START	1808
CONVERSION GP-WIRING	1409	SWITCH GP-START/STOP	1809
COVER GP-MODULE CONNECTOR	1411	SWITCH GP-TEMPERATURE	1810
ENCLOSURE GP-WIRING	1412	SWITCH GP-TOGGLE	1813
FASTENER GP-JUNCTION BOX	1422	TANK GP-AIR	1815
FASTENER GP-WIRING HARNESS	1423	THERMOCOUPLE	1816
HARNESS AS-BOX	1428	THERMOCOUPLE GP	1817
HARNESS AS-ENGINE	1430	TRANSFORMER GP	1821
HARNESS AS-PANEL	1438	TRANSFORMER GP-CURRENT	1821
HARNESS AS-SENSOR	1446	TRANSFORMER GP-POTENTIAL	1828
HARNESS AS-WIRING	1447	VALVE AS-SOLENOID	1829
HARNESS GP-WIRING	1448	VALVE GP-CONTROL	1830
HEATER GP-JACKET WATER	1457	VALVE GP-PRESSURE REDUCING	1832
KIT-AIR STARTING MOTOR	1471	WIRE AS-SERVICE METER	1834
KIT-CONVERSION	1472	WIRING GP-ENGINE	1835
KIT-SERVICE METER	1482	WIRING GP-GOVERNOR SOLENOID	1846
LINES GP-AIR STARTING	1483	WIRING GP-PYROMETER	1847
LINES GP-SHUTOFF	1506	ENCLOSURES, GUARDS AND BASES	1850
LUBRICATOR GP-AIR MOTOR	1511	BASE GP-ENGINE & TRANSMISSION	1850
MOUNTING GP-CONTACTOR	1516	ENCLOSURE GP	1852
MOUNTING GP-JACKET WTR HEATER	1524	RAIL GP-ENGINE SUPPORT	1853
MOUNTING GP-JUNCTION BOX	1559	SHIELD GP	1856
PLATE AS-BRUSH	1561	MARINE TRANSMISSION	1862
PROTECTION GP-ENGINE	1562	MOUNTING GP-MARINE XMSN	1862
RELAY GP	1563	OPERATOR STATION	1864
SEAL GP-SPEED SENSOR	1564	AMMETER GP	1864
SENSOR GP-EXHAUST TEMPERATURE	1565	BOX GP-INSTRUMENT PANEL	1865
SENSOR GP-PRESSURE	1566	CONTROL GP-EMCP ELECTRONIC	1877
SENSOR GP-SPEED	1576	CONTROL GP-ENGINE MONITORING	1887
SENSOR GP-TEMP & PRESS	1587	COVER GP-INSTRUMENT PANEL	1889
SENSOR GP-TEMPERATURE	1588	GAUGE GP	1890
SHUTOFF AR-ELECTRICAL	1594	GAUGE GP-ENGINE OIL PRESSURE	1893
SHUTOFF GP-CONTROL	1596	GAUGE GP-MARINE GEAR OIL	1895
SHUTOFF GP-ELECTRICAL	1600	KIT-ELECTRONIC CONVERSION	1898
SILENCER GP-AIR STARTING	1607	LINES GP-INSTRUMENT PANEL	1899
SOLENOID AS-STARTING MOTOR	1609	METER AS-POWER	1974
SOLENOID GP-SHUTOFF	1617	METER GP-SERVICE	1975
STARTING AID GP	1620	MODULE GP-ALARM	1979
STARTING AID GP-ETHER	1621	MODULE GP-QUAD GAUGE	1993
STARTING MOTOR GP-AIR	1627	MODULE GP-SYNCHRONIZING LIGHTS	1996
STARTING MOTOR GP-ELECTRIC	1652	MOUNTING GP-INSTRUMENT PANEL	2001
STRIP AS-TERMINAL	1784	PANEL GP-CONTROL	2017
SWITCH AS-PUSH BUTTON	1785	PANEL GP-ELECTRONIC	2054
SWITCH AS-SELECTOR	1788		
SWITCH AS-SPEED	1790		
SWITCH AS-TEMPERATURE	1791		
SWITCH AS-TOGGLE	1792		
SWITCH GP-ENGINE	1794		
SWITCH GP-ENGINE START	1797		

TABLE OF CONTENTS

NAME	PAGE	NAME	PAGE
PANEL GP-INSTRUMENT	2055		
PYROMETER GP.....	2085		
SEAL GP-ENCLOSURE	2091		
TACHOMETER GP-ELECTRIC.....	2092		
TIMER GP	2097		
 SERVICE EQUIPMENT AND			
SUPPLIES	2098		
CAP GP-PROTECTION	2098		
CHART-3500 RESIDUAL FUEL	2099		
CHART-ALARM SYSTEM.....	2100		
CHART-AUXILIARY DRIVE	2103		
CHART-CONTROL PANEL	2105		
CHART-INSTRUMENT PANEL	2115		
CHART-PLATE & FILM	2118		
CHART-PYROMETER	2119		
CHART-SUMP PUMP	2121		
FILM GP.....	2126		
GREASE GUN GP.....	2127		
INSERT-LINER SEAT	2128		
KIT-GASKET	2129		
KIT-INSERT	2140		
KIT-SEAL	2141		
KIT-VALVE	2142		
PLATE GP-INFORMATION	2143		
SCREEN AS	2144		
SHIELD GP-PROTECTION	2145		
TAPE	2148		
TOOL GP-HAND.....	2149		
 PART NUMBER INDEX.....			
	B1		

GENERAL INFORMATION

1. ENGINE IDENTIFICATION

Cat engines are identified with Serial Numbers and Arrangement Numbers. In some cases, Modification Numbers are also used. The serial number plate which shows these numbers is mounted on the engine.

Cat dealers need this information to determine which components were included on the engine when it was assembled at the factory. This permits accurate identification of replacement part numbers.

2. ORDERING PARTS

WARNING

When replacement parts are required for this product Caterpillar recommends using Caterpillar replacement parts or parts with equivalent specifications including, but not limited to, physical dimensions, type, strength and material.

Failure to heed this warning can lead to premature failures, product damage, personal injury or death.

Quality Cat replacement parts are available from Cat dealers throughout the world. Their parts inventories are up to date and include all parts normally required to protect your investment in Cat Engines. Dealers may offer repair kits or remanufactured parts to allow selection of the most effective repair alternative for a particular situation. When ordering parts, your order should specify the quantity, part number, part name, and the serial number/product identification number of the engine for which the parts are needed.

3. PARTS MANUAL ORGANIZATION

Product information in this manual is presented as "information elements" that represent all of the components for the specific model. An Engine Arrangement is an example of an information element. The information elements are organized alphabetically by part name and secondarily by part number within each major section of the manual.

4. TABLE OF CONTENTS

A table of contents (TOC) is found at the beginning of the manual. The TOC lists each section of the manual with a complete list of all information elements organized as they appear in the manual. Page numbers are provided for quick reference to detailed parts identification illustrations and serviceable consist lists.

5. MAINTENANCE PARTS INDEX

The Maintenance Parts Index, located near the beginning of the manual, references most frequently used maintenance part numbers, providing description, quantity, usage and page number. This information is organized alphabetically by part description.

6. INDEX

The index located near the front of the manual is an alphabetical listing of all information elements included in the manual. Page numbers are provided for quick reference to detailed parts identification illustrations and serviceable consist lists.

7. PART NUMBER INDEX

A numerical index listing all part numbers and the corresponding page number(s) appears at the back of the manual.

8. CAPTIONS

Captions located at the beginning each information element identify the part number and part name along with additional descriptive information. S/N information found in each caption should be used to select correct information for a specific engine. Field replacement options, identification of optional attachment components, and where used ("part of") information is also provided.

The first line of a caption is shown in larger type font to indicate the beginning of an information element. Captions for additional pages that may be required to illustrate an information element will be shown in standard type font and will include the term (contd.) .

9. NON-SERVICED PARTS

In some instances it is necessary to display non-serviced parts that are a link to lower level serviceable consist lists. These non-serviced part numbers are shown in italic type indicating that they are not available. All consist lists have not been converted to reflect this enhancement.

GENERAL INFORMATION

10. PARTS LIST REFERENCE NUMBERS

Numbers shown in the Ref No column correspond to numbers used in the associated graphic(s). An alphabetic suffix may be added to a reference number to identify lower level consist items. Numbers shown in the Graphic Ref column refer to the graphic number identifier displayed in the lower left corner of each illustration. The Graphic Ref number may be used in combination with the item Ref No to determine the correct part number. There may be intentional omission of a Ref No in a consist list as information is updated to reflect the latest serviceable part numbers.

11. INDENTED PART NAMES

When a part name is indented in a parts list, it is part of (included in) the group or assembly under which it is indented.

12. ILLUSTRATION REFERENCE LETTERS

When necessary, illustrations contain reference letters (A, B, C etc.) that are intended to track lines and harnesses from one point to another. They are also used to show where to reconnect illustrations that have been separated.

13. ABBREVIATIONS AND SYMBOLS

O.D. – Outside Diameter
I.D. – Inside Diameter
A – Not Part Of This Group
B – Use As Required
C – Change From Previous Type
D – Order By The Meter
E – Order By The Centimeter
F – Not Shown
G – Order By The Inch
I – Refer To Hydraulic Information System
M – Metric Part
R – Remfg Part May Be Available
Y – Separate Illustration
Z – Not Serviced Separately

14. DESCRIPTION OF TYPE CHANGES

Type - A type is defined as any configuration change that requires an additional Information Element for an Arrangement, Group, or Assembly. If serial number breaks for types are not available, a type # (Type 1, Type 2, etc.) will be displayed in the caption. These "type" changes are identified with a "C" note (change from previous type) in the Parts List. Only the "types" that apply to this Parts Manual will be included. Additional types may exist causing "C" notes to appear on an Information Element when no other types are shown.

15. <END>

This symbol indicates the end of an information element.

NOTE:

Continuing improvement and advancement of product design may cause changes to your engine which may not be included in this publication. Whenever a question arises regarding your Cat product or this publication, please consult your Cat dealer for the latest available information.

REPAIR ALTERNATIVES

REMANUFACTURED COMPONENTS

As an option when making repairs consider Cat Remanufactured Components. Components that are available through the Cat Remanufactured Program are identified three ways in the parts book:

- with the letter R in the note field of the parts list
- with an R* at the beginning of the first line of the caption
- with an *R at the end of the first line of the caption

Typical components included in the Remanufacturing Program include:

ALTERNATORS
CONNECTING RODS
CRANKSHAFTS - UNDERSIZE
CRANKSHAFTS - UPGRADE TO NEW
CYLINDER HEADS
ELECTRONIC CONTROL MODULES (ECM)
ELECTRONIC SENSORS
FUEL INJECTORS
FUEL NOZZLES
FUEL PUMPS
GOVERNORS
OIL PUMPS
PISTONS
SHORT BLOCKS
STARTERS
TURBOCHARGERS - COMPLETE
TURBOCHARGER CARTRIDGES
WATER PUMPS

Cat Remanufactured engines for many engine arrangements are also available.

SUPPLEMENTAL COOLANT ADDITIVES

CUSTOMER BENEFITS:

Protects against cavitation, foam, erosion, corrosion, and scale buildup in cooling systems.

- Provides measured coolant conditioner.

DESCRIPTION:

Additives deplete from the coolant with normal operation. For this reason, Supplemental Coolant Additives (SCA) must be added to all heavy duty coolants at regular intervals. In addition, when not using a fully formulated, pre-charged antifreeze, like Cat DEAC, an initial charge of SCA must be added to the cooling system. The amount of SCA added to the system is dependent on the capacity of the system.

The SCA for initial fill is provided as a liquid. SCA's for maintenance intervals are available in liquid form and as a spin-on element. (No Spin-on available for 3600 Family of Engines)

NOTE:

The amount of SCA added at initial fill is not the same as the amount added at maintenance intervals.

The coolant additive elements can be used with any ethylene or propylene glycol type antifreeze which meets ASTM D4985 or ASTM D5345 Specifications.

NOTE:

For use with standard heavy duty coolant only, not for use with Extended Life Coolant.

PARTS NEEDED:

Cooling System Capacity		Liquid SCA at Initial Fill	Liquid SCA at Maintenance*	Spin-on SCA Maintenance Element*
Liters	Gallons			
22-30	(6-8)	3P-2044 (1)	6V-3542 (1)	111-2370 (1)
30-38	(8-10)	3P-2044 (1) 6V-3542 (1)	111-2372 (1)	111-2369 (1)
38-49	(10-13)	3P-2044 (1) 8T-1589 (1)	111-2372 (1)	111-2369 (1)
49-64	(13-17)	3P-2044 (2)	8T-1589 (1)	9N-3368 (1)
64-83	(17-22)	3P-2044 (2) 8T-1589 (1)	111-2372 (1) 6V-3542 (1)	111-2371 (1)
83-114	(22-30)	3P-2044 (3) 8T-1589 (1)	3P-2044 (1)	9N-3718 (1)
114-163	(30-43)	3P-2044 (5)	3P-2044 (1) 6V-3542 (1)	111-2371 (2)
163-242	(43-64)	3P-2044 (8)	3P-2044 (2)	9N-3718 (2)

* Normal maintenance period is 250 hrs. See your Operation and Maintenance Manual for complete coolant maintenance instructions.

() Indicates quantity required.

MAINTENANCE PARTS

DESCRIPTION	PART NUMBER	QTY	WHERE USED	PAGE
AIR INLET AND EXHAUST SYSTEM FILTER ELEMENT AS-AIR (PRIMARY)	8N-6309	1	AIR CLEANER GP	811
		1	AIR CLEANER GP	812
FILTER ELEMENT AS-AIR (SECONDARY)	8N-2556	1	AIR CLEANER GP	811
FILTER-SOOT (AIR CLEANER)	8N-2555	2	AIR CLEANER GP	809
FILTER-SOOT (AIR CLEANER) (AIR CLEANER)	8N-2555	2	AIR CLEANER GP	813
BASIC ENGINE				
BELT-SERPENTINE (ALTERNATOR)	141-7116	1	MOUNTING GP-ALTERNATOR	333
	7E-4841	1	MOUNTING GP-ALTERNATOR	331
BREATHER (ATMOSPHERIC) (ATMOSPHERIC)	9G-5127	1	KIT-ENGINE CONVERSION	308
BREATHER AS (CRANKCASE)	4W-3027	1	KIT-ENGINE CONVERSION	308
		3	KIT-ENGINE OVERHAUL	320
		3	KIT-ENGINE OVERHAUL	322
CAP AS-ENGINE OIL FILLER	262-6104	1	KIT-ENGINE CONVERSION	308
FILTER ELEMENT AS-ENGINE OIL (STANDARD EFFICIENCY)	1R-0726	3	KIT-ENGINE OVERHAUL	320
		3	KIT-ENGINE OVERHAUL	322
FILTER ELEMENT-FUEL (ADVANCED EFFICIENCY)	1R-0756	5	KIT-ENGINE OVERHAUL	320
		5	KIT-ENGINE OVERHAUL	322
GASKET	9Y-8389	1	KIT-ENGINE OVERHAUL	320
		1	KIT-ENGINE OVERHAUL	322
GASKET (ADAPTER)	4N-1320	1	KIT-ENGINE CONVERSION	301
		2	KIT-ENGINE GASKET	315
		1	KIT-ENGINE GASKET	318
		1	KIT-ENGINE GASKET	319
		1	PAN GP-OIL	350
		4	PARTS GP-ENGINE OVERHAUL	362
		4	PARTS GP-ENGINE OVERHAUL	364
		1	KIT-ENGINE GASKET	316
GASKET-EXHAUST MANIFOLD KEY-SQUARE	7F-8896	1	POWER TAKE-OFF GP	381
		1	POWER TAKE-OFF GP	382
		1	POWER TAKE-OFF GP	383
		1	POWER TAKE-OFF GP	384
		1	POWER TAKE-OFF GP	386
		1	POWER TAKE-OFF GP	387
		1	POWER TAKE-OFF GP	388
		1	POWER TAKE-OFF GP	389
		1	DRIVE GP-ACCESSORY	190
		1	DRIVE GP-ACCESSORY	192
PLUG-OIL DRAIN	4B-2363	1	COVER GP-OIL PAN	105
		2	PAN GP-OIL	350
		2	PAN GP-OIL	352
PLUG-OIL DRAIN (ENGINE OIL PAN)	4B-2363	1	PAN GP-OIL	348
		1	PAN GP-OIL	354

MAINTENANCE PARTS

DESCRIPTION	PART NUMBER	QTY	WHERE USED	PAGE
		2	PAN GP-OIL	356
		2	PAN GP-OIL	358
		2	PAN GP-OIL	360
	6I-0723	1	PAN GP-OIL	348
		1	PAN GP-OIL	354
REGULATOR-TEMPERATURE (92-DEG C)	248-5513	4	KIT-ENGINE OVERHAUL	320
		4	KIT-ENGINE OVERHAUL	322
SCREEN AS-SUCTION	1W-1564	1	PAN GP-OIL	350
		1	PAN GP-OIL	352
SCREEN AS-SUCTION (ENGINE OIL PAN)	1W-1564	1	PAN GP-OIL	348
		1	PAN GP-OIL	358
		1	PAN GP-OIL	360
	295-5897	1	PAN GP-OIL	354
	7C-4716	1	PAN GP-OIL	356
SEAL-INTEGRAL	234-8937	2	COVER GP-FLYWHEEL HOUSING	91
		1	COVER GP-FLYWHEEL HOUSING	92
		2	COVER GP-FLYWHEEL HOUSING	94
		2	KIT-ENGINE GASKET	314
		2	KIT-ENGINE GASKET	319
SEAL-INTEGRAL (FLYWHEEL HOUSING)	234-8937	2	KIT-ENGINE GASKET	318
SEAL-VALVE COVER	272-0757	1	COVER GP-VALVE MECHANISM	107
		1	COVER GP-VALVE MECHANISM	110
		1	KIT-CYLINDER HEAD	295
		1	KIT-CYLINDER HEAD GASKET	298
		1	KIT-ENGINE GASKET	316
		3	KIT-ENGINE OVERHAUL	321
		3	KIT-ENGINE OVERHAUL	322
		1	PARTS GP-ENGINE OVERHAUL	362
		1	PARTS GP-ENGINE OVERHAUL	364
	272-0760	21	KIT-ENGINE CONVERSION	305
		2	KIT-ENGINE CONVERSION	310
SEAL-VALVE COVER (BASE)	272-0760	1	COVER GP-VALVE MECHANISM	106
		1	COVER GP-VALVE MECHANISM	108
SEAL-VALVE COVER (VALVE COVER BASE)	272-0757	1	COVER GP-VALVE MECHANISM	109
V-BELT GP	8N-3504	1	AIR COMPRESSOR GP	31
V-BELT GP (AIR COMPRESSOR)	8N-3504	1	AIR COMPRESSOR GP	35
		1	AIR COMPRESSOR GP	38
V-BELT SET (INCLUDES 2-BELTS) (ALTERNATOR)	9L-4013	1	MOUNTING GP-ALTERNATOR	327
	9Y-7159	1	MOUNTING GP-ALTERNATOR	329
COOLING SYSTEM				
CAP-PRESSURE (14-PSI) (COOLANT TANK)	127-8660	1	TANK GP-COOLANT	783
CAP-PRESSURE (14-PSI) (EXPANSION TANK)	127-8660	1	TANK GP-EXPANSION	784
		1	TANK GP-EXPANSION	790

MAINTENANCE PARTS

DESCRIPTION	PART NUMBER	QTY	WHERE USED	PAGE
CAP-PRESSURE (7-PSI)	4N-3311	1	TANK GP-EXPANSION	787
CAP-PRESSURE (7-PSI) (COOLANT TANK)	4N-3311	1	TANK GP-COOLANT	783
CAP-PRESSURE (7-PSI) (EXPANSION TANK)	4N-3311	1	TANK GP-EXPANSION	784
GASKET (ADAPTER)	4N-1320	1	TANK GP-EXPANSION	790
		1	CONNECTION GP-TORQUE CONV CLR	605
		2	LINES GP-AFTERCOOLER WATER	652
		2	LINES GP-AFTERCOOLER WATER	654
		2	LINES GP-WATER	688
		1	LINES GP-WATER	706
		1	LINES GP-WATER	708
PLUG-DRAIN	9M-4202	1	LINES GP-WATER	688
		1	LINES GP-WATER	706
		1	LINES GP-WATER	708
PLUG-DRAIN (AUXILIARY SEA WATER PUMP)	3F-1357	1	PUMP GP-AUXILIARY SEA WATER	748
PLUG-DRAIN (WATER PUMP HOUSING)	3F-1358	1	PUMP GP-AUXILIARY SEA WATER	726
	9M-4202	1	PUMP GP-AUXILIARY WATER	762
REGULATOR-TEMPERATURE (30-DEG C) (WATER)	219-3240	1	PUMP GP-AUXILIARY WATER	764
		2	HOUSING & REGULATOR GP	643
REGULATOR-TEMPERATURE (89-DEG C)	4W-4011	2	HOUSING & REGULATOR GP	645
		4	HOUSING & REGULATOR GP	647
REGULATOR-TEMPERATURE (92-DEG C) (WATER)	248-5513	4	HOUSING & REGULATOR GP	650
REGULATOR-WATER TEMPERATURE	4W-4842	4	HOUSING & REGULATOR GP	646
REGULATOR-WATER TEMPERATURE (92-DEG C)	4W-4794	4	HOUSING & REGULATOR GP	648
ROD AS-ZINC (AUXILIARY WATER PUMP)	7E-7933	4	HOUSING & REGULATOR GP	649
	5L-7685	1	PUMP GP-AUXILIARY SEA WATER	748
ROD-ZINC (AUXILIARY SEA WATER PUMP)	6L-2280	1	PUMP GP-AUXILIARY SEA WATER	717
		1	PUMP GP-AUXILIARY SEA WATER	724
		1	PUMP GP-AUXILIARY SEA WATER	728
		1	PUMP GP-AUXILIARY SEA WATER	730
		1	PUMP GP-AUXILIARY SEA WATER	732
		1	PUMP GP-AUXILIARY SEA WATER	748
		1	PUMP GP-AUXILIARY SEA WATER	748
ROD-ZINC (HEAT EXCHANGER)	6L-2284	3	HEAT EXCHANGER GP-SEA WATER	616
		3	HEAT EXCHANGER GP-SEA WATER	617
		3	HEAT EXCHANGER GP-SEA WATER	621
		1	HEAT EXCHANGER GP-SEA WATER	624
		1	HEAT EXCHANGER GP-SEA WATER	627
		3	HEAT EXCHANGER GP-SEA WATER	631
		3	HEAT EXCHANGER GP-SEA WATER	632
		3	HEAT EXCHANGER GP-SEA WATER	635
		3	HEAT EXCHANGER GP-SEA WATER	636
		3	HEAT EXCHANGER GP-SEA WATER	636

MAINTENANCE PARTS

DESCRIPTION	PART NUMBER	QTY	WHERE USED	PAGE
		3	HEAT EXCHANGER GP-SEA WATER	639
		3	HEAT EXCHANGER GP-SEA WATER	641
ELECTRICAL AND STARTING SYSTEM				
BATTERY (12-VOLT) (DRY)	9G-4231	2	BATTERY GP	1339
	9G-4232	2	BATTERY GP	1335
		2	BATTERY GP	1337
	9X-9720	2	BATTERY GP	1338
BATTERY (6 VOLT)	9S-7130	5	BATTERY GP	1327
BATTERY (6-VOLT)	9G-4250	5	BATTERY GP	1329
	9G-9033	4	BATTERY GP	1331
BATTERY (6-VOLT) (24-VOLT)	9G-9033	5	BATTERY GP	1333
BATTERY GP (12-VOLT) (DRY)	9X-9730	2	BATTERY GP	1341
BREATHER (ATMOSPHERIC)	9G-5127	1	WIRING GP-ENGINE	1839
BREATHER (ATMOSPHERIC) (ATMOSPHERIC)	9G-5127	1	WIRING GP-ENGINE	1835
CIRCUIT BREAKER AS (10-AMPERE)	6T-3642	1	BOX GP-JUNCTION	1351
		1	BOX GP-JUNCTION	1353
CIRCUIT BREAKER AS (12.5-AMPERE)	1N-9770	1	SWITCH GP-MAGNETIC	1801
CIRCUIT BREAKER AS (15-AMPERE)	9M-9085	1	SWITCH GP-MAGNETIC	1802
CIRCUIT BREAKER AS (20-AMPERE, DOUBLE POLE) (MARINE POWER DISPLAY)	231-9866	1	BOX GP-JUNCTION	1345
CIRCUIT BREAKER AS (20-AMPERE, DOUBLE POLE) (PRIMARY ECM)	231-9866	1	BOX GP-JUNCTION	1345
CIRCUIT BREAKER AS (20-AMPERE, DOUBLE POLE) (SECONDARY ECM)	231-9866	1	BOX GP-JUNCTION	1345
CIRCUIT BREAKER AS (20-AMPERE)	6T-3644	1	BOX GP-JUNCTION	1350
		2	BOX GP-JUNCTION	1353
		1	CIRCUIT BREAKER GP	1355
		1	SWITCH GP-ENGINE	1794
CIRCUIT BREAKER AS (30-AMPERE)	6N-9349	1	SWITCH GP-MAGNETIC	1805
CIRCUIT BREAKER AS (40-AMPERE, DOUBLE POLE) (AIR SHUTOFF)	231-9864	1	BOX GP-JUNCTION	1345
CIRCUIT BREAKER AS (70-AMPERE, DOUBLE POLE) (ALTERNATOR, STARTING MOTOR)	231-9863	1	BOX GP-JUNCTION	1345
CIRCUIT BREAKER AS (80 AMP)	6T-3646	1	ENCLOSURE GP-WIRING	1412
CIRCUIT BREAKER GP (20-AMPERE)	9H-1958	1	SWITCH GP-MAGNETIC	1803
CIRCUIT BREAKER GP (60-AMPERE)	6T-3645	1	CIRCUIT BREAKER GP	1356
FILTER (ETHER)	160-8761	1	STARTING AID GP-ETHER	1623
FILTER & GASKET AS (ETHER STARTING AID)	9X-7138	1	STARTING AID GP-ETHER	1621
		1	STARTING AID GP-ETHER	1623
FILTER AS-ETHER	7X-1786	1	STARTING AID GP-ETHER	1621
FUSE (10-AMPERE)	3K-8782	1	STARTING AID GP-ETHER	1625
GASKET (ADAPTER)	4N-1320	1	KIT-CONVERSION	1479
GASKET-SHUTDOWN	2W-2333	1	SHUTOFF GP-ELECTRICAL	1600

MAINTENANCE PARTS

DESCRIPTION	PART NUMBER	QTY	WHERE USED	PAGE
		1	SHUTOFF GP-ELECTRICAL	1603
SCREEN-STRAINER (PRESSURE REDUCING VALVE)	252-9298	1	VALVE GP-PRESSURE REDUCING	1832
SEAL-VALVE COVER	272-0760	9	KIT-CONVERSION	1475
		12	KIT-CONVERSION	1475
FUEL SYSTEM				
CAP-BREATHER (ATMOSPHERIC)	123-9693	1	GOVERNOR GP	1031
		1	GOVERNOR GP	1033
FILTER ELEMENT-FUEL	7W-0733	7	FILTER GP-FUEL	1009
	8N-9850	7	FILTER GP-FUEL	1004
		5	FILTER GP-FUEL	1007
		5	FILTER GP-FUEL	1010
		5	FILTER GP-FUEL	1021
		5	FILTER GP-FUEL	1023
		5	FILTER GP-FUEL	1025
	9M-2342	1	FILTER GP-PRIMARY FUEL	1027
FILTER ELEMENT-FUEL (ADVANCED EFFICIENCY)	1R-0756	5	FILTER GP-FUEL	1002
		5	FILTER GP-FUEL	1012
		5	FILTER GP-FUEL	1014
		5	FILTER GP-FUEL	1016
		7	FILTER GP-FUEL	1018
FUSE (0.75-AMPERE)	7T-0037	1	GOVERNOR GP-ELECTRONIC	1160
GASKET (FUEL FILTER)	9Y-8389	1	FILTER GP-FUEL	1018
GASKET (FUEL PRIMING PUMP)	1P-0436	1	FILTER GP-FUEL	1007
		1	FILTER GP-FUEL	1010
	9Y-8389	1	PUMP GP-FUEL PRIMING	1234
GASKET (PRIMING PUMP/COVER)	9Y-8389	1	FILTER GP-FUEL	1002
		1	FILTER GP-FUEL	1012
		1	FILTER GP-FUEL	1014
		1	FILTER GP-FUEL	1016
GASKET-GUIDE	2W-0142	1	CONTROL GP-FUEL RATIO	967
		1	CONTROL GP-FUEL RATIO	968
		1	CONTROL GP-FUEL RATIO	970
		1	GOVERNOR GP	1049
		1	GOVERNOR GP	1058
		1	GOVERNOR GP	1089
		1	GOVERNOR GP	1132
LUBRICATION SYSTEM				
BREATHER AS (CHROME) (CRANKCASE)	126-0577	1	BREATHER GP	442
		1	BREATHER GP	443
BREATHER AS (CRANKCASE)	4W-3027	3	BREATHER GP	440
		4	BREATHER GP	444
		2	BREATHER GP	446
CAP AS-ENGINE OIL FILLER	128-5988	1	FILLER GP-ENGINE OIL	451
	262-6104	1	FILLER GP-ENGINE OIL	450

MAINTENANCE PARTS

DESCRIPTION	PART NUMBER	QTY	WHERE USED	PAGE
	7L-4447	1	FILLER GP-ENGINE OIL	452
FILTER ELEMENT AS-ENGINE OIL (STANDARD EFFICIENCY)	1R-0726	3	FILTER GP-ENGINE OIL	455
		3	FILTER GP-ENGINE OIL	463
		4	FILTER GP-ENGINE OIL	470
		4	FILTER GP-ENGINE OIL	473
FILTER ELEMENT AS-OIL	7N-7500	3	FILTER GP-ENGINE OIL	477
FILTER ELEMENT AS-OIL (ENGINE)	4P-2839	3	FILTER GP-ENGINE OIL	457
		3	FILTER GP-ENGINE OIL	460
		4	FILTER GP-ENGINE OIL	467
SCREEN AS-SUCTION (ENGINE OIL PAN)	7C-4716	1	CONNECTION GP-OIL	449
SCREEN-SCAVENGE (ENGINE OIL)	1N-3226	1	PUMP GP-SCAVENGE	574
SEAL (OIL FILTER)	4W-3251	2	FILTER GP-ENGINE OIL	457
		2	FILTER GP-ENGINE OIL	460
		2	FILTER GP-ENGINE OIL	467
SEAL-VALVE COVER (BREATHER)	272-0757	1	BREATHER GP	442
		2	BREATHER GP	446
	272-0760	3	BREATHER GP	440
		1	BREATHER GP	443
		4	BREATHER GP	444
SEAL-VALVE COVER (OIL FILLER)	272-0760	1	FILLER GP-ENGINE OIL	450
		1	FILLER GP-ENGINE OIL	451
STRAINER AS (ENGINE OIL)	2G-6304	1	LINES GP-OIL SUPPLY	513
		1	PUMP & LINES GP-PRELUBRICATION	534
		1	PUMP & LINES GP-PRELUBRICATION	536
OPERATOR STATION				
CIRCUIT BREAKER AS (10-AMPERE)	114-1142	5	BOX GP-INSTRUMENT PANEL	1867
		5	BOX GP-INSTRUMENT PANEL	1870
CIRCUIT BREAKER AS (12.5-AMPERE)	1N-9770	1	PANEL GP-CONTROL	2017
CIRCUIT BREAKER AS (16-AMPERE)	114-1143	2	BOX GP-INSTRUMENT PANEL	1867
		2	BOX GP-INSTRUMENT PANEL	1870
CIRCUIT BREAKER AS (20-AMPERE)	116-7654	1	PANEL GP-CONTROL	2039
		1	PANEL GP-CONTROL	2041
		1	PANEL GP-CONTROL	2044
		1	PANEL GP-CONTROL	2048
		1	PANEL GP-CONTROL	2051
CIRCUIT BREAKER AS (32-AMPERE)	107-5857	1	BOX GP-INSTRUMENT PANEL	1867
		1	BOX GP-INSTRUMENT PANEL	1870
CIRCUIT BREAKER AS (50-AMPERE)	116-7655	1	BOX GP-INSTRUMENT PANEL	1867
		1	BOX GP-INSTRUMENT PANEL	1870
CIRCUIT BREAKER AS (63-AMPERE)	107-5856	1	BOX GP-INSTRUMENT PANEL	1866
		1	BOX GP-INSTRUMENT PANEL	1869
CIRCUIT BREAKER GP (20-AMPERE)	9H-1958	1	PANEL GP-CONTROL	2021
		1	PANEL GP-CONTROL	2025
		1	PANEL GP-CONTROL	2029
		2	PANEL GP-CONTROL	2034

MAINTENANCE PARTS

DESCRIPTION	PART NUMBER	QTY	WHERE USED	PAGE
		1	PANEL GP-CONTROL	2042
		1	PANEL GP-CONTROL	2045
		1	PANEL GP-CONTROL	2048
		1	PANEL GP-CONTROL	2051
FUSE (0.75-AMPERE)	7T-0037	1	PANEL GP-CONTROL	2030
FUSE (10-AMPERE)	3K-8782	20	PANEL GP-CONTROL	2017
		20	PANEL GP-CONTROL	2021
		20	PANEL GP-CONTROL	2025
		20	PANEL GP-CONTROL	2029
		20	PANEL GP-CONTROL	2033
		20	PANEL GP-CONTROL	2038
		20	PANEL GP-CONTROL	2041
		20	PANEL GP-CONTROL	2044
		20	PANEL GP-CONTROL	2047
		20	PANEL GP-CONTROL	2050
FUSE (2-AMPERE)	7W-0482	3	PANEL GP-CONTROL	2017
		3	PANEL GP-CONTROL	2021
		3	PANEL GP-CONTROL	2025
		3	PANEL GP-CONTROL	2029
		3	PANEL GP-CONTROL	2033
		3	PANEL GP-CONTROL	2038
		3	PANEL GP-CONTROL	2041
		3	PANEL GP-CONTROL	2044
		3	PANEL GP-CONTROL	2047
		3	PANEL GP-CONTROL	2050
	8D-8724	1	PANEL GP-CONTROL	2034
LAMP (12-VOLT) (12 VOLT)	5D-0284	3	PANEL GP-INSTRUMENT	2065
LAMP (120-VOLT, 6-WATT) (CLEAR)	5N-3615	2	MODULE GP-SYNCHRONIZING LIGHTS	1996
		2	MODULE GP-SYNCHRONIZING LIGHTS	1998
LAMP (24-VOLT, 0.17-AMPERE) (CLEAR)	100-3245	2	BOX GP-INSTRUMENT PANEL	1871
LAMP (24-VOLT, 0.2-AMPERE) (CLEAR)	7N-5876	2	PANEL GP-CONTROL	2033
		3	PANEL GP-ELECTRONIC	2054
LAMP (24-VOLT)	5D-0019	8	PANEL GP-INSTRUMENT	2071
		4	PANEL GP-INSTRUMENT	2075
LAMP (24-VOLT) (CLEAR)	8D-1429	2	BOX GP-INSTRUMENT PANEL	1867
LAMP (MINIATURE)(28 VOLT)	5D-1708	8	PANEL GP-INSTRUMENT	2069
		4	PANEL GP-INSTRUMENT	2073
LAMP AS (120-VOLT, 3-WATT) (CLEAR)	7G-9730	2	PANEL GP-CONTROL	2034
		2	PANEL GP-ELECTRONIC	2054
SERVICE EQUIPMENT AND SUPPLIES				
GASKET (ADAPTER)	4N-1320	2	KIT-GASKET	2129
		2	KIT-GASKET	2130
		1	KIT-GASKET	2131
		2	KIT-GASKET	2134
		2	KIT-GASKET	2136
		2	KIT-GASKET	2138

MAINTENANCE PARTS

DESCRIPTION	PART NUMBER	QTY	WHERE USED	PAGE
SEAL (OIL FILTER)	4W-3251	2	KIT-GASKET	2131
SEAL-INTEGRAL	234-8937	2	KIT-GASKET	2132

INDEX

NAME	PAGE	NAME	PAGE
A			
ACTUATOR GP-GOVERNOR.....	959	BATTERY GP.....	1327
ADAPTER GP-AIR CLEANER	799		1329
	800		1331
AFTERCOOLER GP-TREATED WATER.....	801		1333
	802		1335
AFTERCOOLER GP-WATER	803		1337
	805		1338
	807	BATTERY GP (12-VOLT) (DRY).....	1341
AIR CLEANER GP	809	BATTERY GP-DRY.....	1342
	810	BELT-SERPENTINE (ALTERNATOR).....	331
	811		333
	812	BOX AS-CONTROL.....	1343
	813		1344
AIR COMPRESSOR GP	24	BOX GP-INSTRUMENT PANEL.....	1865
	26		1866
	28		1869
	30		1874
	34		1875
	38		1876
ALTERNATOR GP-CHARGING	1307	BOX GP-JUNCTION	1348
	1309		1350
	1311		1353
	1313	BOX GP-JUNCTION-POWER	
	1316	DISTRIBUTION	1345
	1319	BREATHER (ATMOSPHERIC)	1839
	1322	BREATHER (ATMOSPHERIC)	
AMMETER AS	2065	(ATMOSPHERIC)	308
AMMETER AS (60-AMPERE).....	2071		1835
	2075	BREATHER AS (CHROME) (CRANKCASE)....	442
AMMETER GP	1864		443
B			
BAR GP-GROUND.....	2033	BREATHER AS (CRANKCASE).....	308
BARRING GP-LH.....	42		320
BARRING GP-RH	41		322
BASE GP-ENGINE & TRANSMISSION	1850		440
BASE GP-VALVE COVER.....	43		444
BATTERY (12-VOLT) (DRY).....	1335	BREATHER GP	440
	1337	BREATHER GP-CRANKCASE.....	442
	1338		443
	1339		444
BATTERY (6 VOLT)	1327		446
BATTERY (6-VOLT).....	1329	C	
	1331	CAMSHAFT GP	44
BATTERY (6-VOLT) (24-VOLT)	1333		46
BATTERY CHARGER.....	1323		47
	1324		48
	1325		49
	1326	CAP AS-ENGINE OIL FILLER.....	308
			450
			451
			452
		CAP GP-PROTECTION	2098
		CAP-BREATHER (ATMOSPHERIC)	1031
			1033
		CAP-PRESSURE (14-PSI) (COOLANT TANK)...	783

INDEX

NAME	PAGE	NAME	PAGE
CAP-PRESSURE (14-PSI) (EXPANSION TANK)	784	CIRCUIT BREAKER AS (63-AMPERE)	1866
	790		1869
CAP-PRESSURE (7-PSI)	787	CIRCUIT BREAKER AS (70-AMPERE, DOUBLE POLE) (ALTERNATOR, STARTING MOTOR)	1345
CAP-PRESSURE (7-PSI) (COOLANT TANK)	783	CIRCUIT BREAKER AS (80 AMP)	1412
CAP-PRESSURE (7-PSI) (EXPANSION TANK)	784	CIRCUIT BREAKER GP	1355
	790		1356
CARTRIDGE GP-TURBOCHARGER	814	CIRCUIT BREAKER GP (20-AMPERE)	1803
	815		2021
	816		2025
	818		2029
	820		2034
	822		2042
	824		2045
	826		2048
	916		2051
	917	CIRCUIT BREAKER GP (60-AMPERE)	1356
	922	CLUTCH AS	50
	928	CLUTCH GP	52
CHART-3500 RESIDUAL FUEL	2099	CONNECTION GP-EXPANSION TANK-AUXILIARY	604
CHART-ALARM SYSTEM	2100	CONNECTION GP-OIL	447
	2102		448
CHART-AUXILIARY DRIVE	2103		449
CHART-CONTROL PANEL	2105	CONNECTION GP-TORQUE CONV CLR	605
CHART-INSTRUMENT PANEL	2115	CONNECTION GP-WATER-INLET	607
CHART-PLATE & FILM	2118	CONNECTION GP-WATER-INLET, LH	610
CHART-PYROMETER	2119	CONNECTION GP-WATER-INLET, RH	609
CHART-SUMP PUMP	2121	CONNECTOR-THERMOCOUPLE	1357
	2124	CONTACTOR AS	1358
CIRCUIT BREAKER AS (10-AMPERE)	1351	CONTACTOR GP	1359
	1353		1360
	1867		1361
	1870		1363
CIRCUIT BREAKER AS (12.5-AMPERE)	1801		1364
	2017	CONTACTOR GP-ALARM	1359
CIRCUIT BREAKER AS (15-AMPERE)	1802	CONTACTOR GP-INLET MANIFOLD TEMPERATURE	1365
CIRCUIT BREAKER AS (16-AMPERE)	1867	CONTACTOR GP-OIL PRESSURE, WATER TEMPERATURE	1362
	1870	CONTACTOR-PRESSURE	1366
CIRCUIT BREAKER AS (20-AMPERE, DOUBLE POLE) (MARINE POWER DISPLAY)	1345	CONTACTOR-TEMPERATURE	1367
CIRCUIT BREAKER AS (20-AMPERE, DOUBLE POLE) (PRIMARY ECM)	1345	CONTROL & MTG GP-ENGINE ELEK	1368
CIRCUIT BREAKER AS (20-AMPERE, DOUBLE POLE) (SECONDARY ECM)	1345	CONTROL & MTG GP-ENGINE ELEK-PRIMARY	1370
CIRCUIT BREAKER AS (20-AMPERE)	1350	CONTROL & MTG GP-ENGINE ELEK-SECONDARY	1371
	1353	CONTROL AS-ELECTRONIC GOVERNOR-LOAD SHARE MODULE	1373
	1355		
	1794		
	2039		
	2041		
	2044		
	2048		
	2051		
CIRCUIT BREAKER AS (30-AMPERE)	1805		
CIRCUIT BREAKER AS (32-AMPERE)	1867		
	1870		
CIRCUIT BREAKER AS (40-AMPERE, DOUBLE POLE) (AIR SHUTOFF)	1345		
CIRCUIT BREAKER AS (50-AMPERE)	1867		
	1870		

INDEX

NAME	PAGE	NAME	PAGE
CONTROL GP-AIR STARTING	1374	COOLER GP-ENGINE OIL	611
	1385		612
	1387	CORE AS (SOLENOID)	1614
	1389	CORE AS-AFTERCOOLER	306
	1391		309
	1393		801
	1394		802
	1395		803
	1396		805
	1398		807
	1400		1475
	1402	CORE AS-OIL COOLER	612
CONTROL GP-AIR STARTING-LH	1380	CORE GP-OIL COOLER-ENGINE	613
	1382	COUPLING GP-FLEXIBLE	56
CONTROL GP-AIR STARTING-RH	1376		58
	1378		60
CONTROL GP-AUTO START/STOP	1404		62
CONTROL GP-ELECTRONIC (RELAY MODULE)	1879		64
	1879		66
CONTROL GP-ELECTRONIC (RELAY MODULE) (GENERATOR SET CONTROL +)	1886		68
CONTROL GP-EMCP ELECTRONIC	1877		70
	1878	COUPLING GP-FLEXIBLE-GENERATOR	54
	1879		55
	1880	COUPLING GP-TORSIONAL	72
	1881		73
	1882		75
	1883		77
	1884		78
	1885		80
	1886	COVER GP-ACCESSORY DRIVE-RH	82
CONTROL GP-ENGINE ELECTRONIC	309		83
	1405	COVER GP-CAMSHAFT	84
	1406		85
	1407	COVER GP-CYLINDER BLOCK	86
CONTROL GP-ENGINE MONITORING	1887	COVER GP-CYLINDER BLOCK-CENTRAL STRUCTURE	88
	1888		90
CONTROL GP-FUEL INJECTION	961	COVER GP-CYLINDER BLOCK-CRANKCASE ...	87
	964	COVER GP-FLYWHEEL HOUSING	92
CONTROL GP-FUEL RATIO	967		94
	968		96
	970		98
CONTROL GP-GOVERNOR	973	COVER GP-FLYWHEEL HOUSING-REAR	91
	974	COVER GP-FRONT HOUSING	100
	976		102
	977	COVER GP-FRONT HOUSING-LH	101
	978	COVER GP-GOVERNOR	983
	979		984
	981		985
	982	COVER GP-INSTRUMENT PANEL	1889
CONTROL GP-GOVERNOR-REMOTE	972	COVER GP-MODULE CONNECTOR	1411
CONTROL GP-UNPRGMED MONITOR (CATERPILLAR MONITORING SYSTEM)	1888	COVER GP-OIL PAN	103
CONTROL GP-VOLTAGE	1408		104
CONVERSION AR-ENGINE	1		105
	2	COVER GP-PUMP	1252
	3		1254
CONVERSION AR-GENERATOR SET	2	COVER GP-VALVE MECHANISM	106
	3		107
CONVERSION GP-WIRING	1409		108
	1410		109
			110

INDEX

NAME	PAGE	NAME	PAGE
ENCLOSURE GP-WIRING.....	1412	FILM-GAUGE (MANIFOLD AIR	
	1414	TEMPERATURE)	2063
	1416		2077
	1418	FILM-GAUGE IDENTIFICATION (AMMETER) ..	1864
	1420	FILM-GAUGE IDENTIFICATION (ENGINE	
ENGINE AR.....	4	HOURS)	1977
	8		1978
	12	FILM-GAUGE IDENTIFICATION (TRANSMISSION	
	15	OIL PRESSURE)	1895
ENGINE AR-COMPLETE	20		1896
	22		1897
 F 			
FASTENER GP-CYLINDER HEAD	155	FILM-IDENTIFICATION (10-AMPERE FUSE)...	2017
	159		2021
FASTENER GP-FUEL INJ PUMP	998		2025
	1000		2029
FASTENER GP-FUEL INJ PUMP-LH	996		2033
FASTENER GP-FUEL INJ PUMP-RH	994		2038
FASTENER GP-JUNCTION BOX	1422		2041
FASTENER GP-VALVE MECHANISM-RH	231		2044
FASTENER GP-WIRING HARNESS.....	1423		2047
	1425		2050
FILLER GP-ENGINE OIL	450	FILM-IDENTIFICATION (2-AMPERE FUSE)	2017
	451		2021
	452		2025
FILM GP-ENGINE	2126		2029
FILM-CONTROL PANEL	2055		2033
FILM-CONTROL PANEL (ALARM MODULE)...	1987		2038
FILM-CONTROL PANEL (AUTO STARTING			2041
AID)	2018		2044
	2022		2047
	2026		2050
	2030	FILM-IDENTIFICATION (ALARM MODULE)	1991
	2034		1992
FILM-CONTROL PANEL (AUTOMATIC STARTING		FILM-IDENTIFICATION (CONTROL PANEL-	
AID)	2038	ANNUNCIATOR).....	1990
	2041	FILM-IDENTIFICATION (CONTROL PANEL) ...	1989
	2044	FILM-IDENTIFICATION (CONTROL PANEL) ...	2017
	2047		2021
	2050		2025
FILM-CONTROL PANEL (CATERPILLAR			2029
MONITORING SYSTEM)	1866		2033
	1869		2038
FILM-CONTROL PANEL (CUSTOM ALARM			2041
MODULE IDENTS).....	1983		2044
	1985		2047
FILM-CONTROL PANEL (CUSTOM ALARM			2050
MODULE).....	1983	FILM-IDENTIFICATION (EMERGENCY	
	1985	STOP)	1350
FILM-CONTROL PANEL (GENERATOR SET			1353
CONTROL +)	1879	FILM-IDENTIFICATION (ENGINE OIL FILL)....	452
	1898	FILM-IDENTIFICATION (ENGINE OIL	
FILM-CONTROL PANEL (MANUAL STARTING		PRESSURE)	2062
AID)	1813		2063
FILM-EMCP II	1881		2077
	1882		2079
	1885		

INDEX

NAME	PAGE	NAME	PAGE
FILM-IDENTIFICATION (ENGINE OIL TEMPERATURE)	2063	FILM-INFORMATION (OIL FILTER PRESSURE DIFF)	2063
	2077		2066
FILM-IDENTIFICATION (ENGINE START)	1602		2077
	1605		2083
	1809	FILM-INFORMATION (ROTATION, FIRING ORDER)	44
FILM-IDENTIFICATION (ENGINE STOP).....	1602	FILM-INFORMATION (STANDARD ROTATION) ..	44
	1605	FILM-INSTRUMENT PANEL (TERMINAL BOX)	1866
	1809		1869
FILM-IDENTIFICATION (FUEL FILTER PRESSURE DIFF)	2063	FILM-SYCHRONIZING PANEL	1996
	2077		1998
FILM-IDENTIFICATION (FUEL PRESSURE)....	2062	FILM-TERMINAL STRIP	2017
	2063		2038
	2077	FILM-WARNING (CRANKCASE)	2118
	2079	FILM-WARNING (ELECTRICAL SHOCK HAZARD)	2018
FILM-IDENTIFICATION (JACKET WATER TEMPERATURE)	2062		2022
	2063		2026
	2077		2030
	2079		2038
FILM-IDENTIFICATION (POWER DISTRIBUTION)	1346		2041
FILM-IDENTIFICATION (REVERSE POWER)...	2000		2044
FILM-IDENTIFICATION (SERVICE METER)....	1482		2047
FILM-IDENTIFICATION (TERMINAL MARKER).....	1350		2050
	1353	FILM-WARNING (HOT FLUID UNDER PRESSURE, U.S.).....	783
	1414		784
	1416		790
	1418	FILM-WARNING (HOT SURFACE)	611
	1420	FILM-WARNING (PARKING BRAKE, INTERNATIONAL)	2131
	1877	FILM-WARNING (SHOCK HAZARD, READ OMM).....	1459
	2021		1460
	2025		1461
	2039		1462
	2041		1466
	2042		1467
	2044	FILTER (ETHER)	1623
	2045	FILTER & GASKET AS (ETHER STARTING AID)	1621
	2048		1623
	2051	FILTER AS-ETHER	1621
FILM-IDENTIFICATION (TERMINAL).....	2017	FILTER ELEMENT AS-AIR (PRIMARY).....	811
	2021		812
	2025	FILTER ELEMENT AS-AIR (SECONDARY)	811
	2029	FILTER ELEMENT AS-ENGINE OIL (STANDARD EFFICIENCY).....	320
	2033		322
	2038		455
	2041		463
	2044		470
	2047		473
	2050	FILTER ELEMENT AS-OIL	477
FILM-IDENTIFICATION (WIRE)	1867	FILTER ELEMENT AS-OIL (ENGINE)	457
	1870		460
FILM-INFORMATION (CONTROL PANEL)	1882		467
	1883		
FILM-INFORMATION (GENERATOR SET CONTROL +)	1879		
	1880		

INDEX

NAME	PAGE	NAME	PAGE
GASKET (PRIMING PUMP/COVER).....	1002	GAUGE GP-TEMPERATURE (TEMPERATURE)	
	1012	(MANIFOLD AIR)	2077
	1014	GAUGE GP-TEMPERATURE (TEMPERATURE)	
	1016	(TRANSMISSION OIL)	1896
GASKET-EXHAUST MANIFOLD.....	316	GAUGE GP-VACUUM (AIR PRESSURE	
GASKET-GUIDE	967	RESTRICTION).....	2063
	968		2077
	970	GAUGE GP-ENGINE OIL PRESSURE, WATER	
	1049	TEMPERATURE	1890
	1058		1891
	1089	GAUGE-PRESSURE (AIR).....	1815
	1132	GAUGE-PRESSURE (ENGINE OIL).....	1893
GASKET-SHUTDOWN.....	1600	GAUGE-SIGHT (OIL LEVEL) (GOVERNOR	
	1603	OIL)	1031
GAUGE (ENGINE OIL PRESSURE).....	2069		1033
	2073	GEAR GP-FRONT	260
GAUGE (ENGINE OIL PRESSURE) (24			262
VOLT)	1890		264
GAUGE (WATER TEMPERATURE)	1891	GEAR GP-FRONT-LOW SPEED, STANDARD	
	2071	ROTATION.....	238
	2075		240
GAUGE AS-OIL LEVEL (DIPSTICK).....	482	GEAR GP-FRONT-RH	242
GAUGE AS-OIL LEVEL (DIPSTICK) (DEEP			245
SUMP).....	480		249
GAUGE AS-OIL LEVEL (DIPSTICK)			253
(ENGINE)	479		256
GAUGE AS-PRESSURE (ENGINE OIL)	2062	GEAR GP-REAR	268
	2063		270
	2077		272
GAUGE AS-PRESSURE (FUEL)	2062	GEAR GP-REAR-CAMSHAFT DRIVE	266
	2063	GOVERNOR GP.....	1031
	2077		1033
	2079		1035
GAUGE AS-PRESSURE (JACKET WATER) ...	2079		1037
GAUGE AS-PRESSURE (TRANSMISSION			1039
OIL)	1895		1040
	1896		1045
	1897		1047
GAUGE AS-TEMPERATURE (AIR			1057
MANIFOLD)	2063		1064
GAUGE AS-TEMPERATURE (TRANSMISSION			1071
OIL)	1895		1079
	1897		1087
GAUGE GP-ENGINE OIL PRESSURE	1894		1097
GAUGE GP-ENGINE OIL PRESSURE-			1105
INDICATOR	1893		1113
GAUGE GP-MARINE GEAR OIL.....	1895		1121
	1896		1122
	1897		1130
GAUGE GP-OIL LEVEL (DIPSTICK)	479		1141
	481		1142
	482		1143
GAUGE GP-OIL LEVEL (DIPSTICK)-DEEP			1144
SUMP	480		1152
GAUGE GP-TEMPERATURE (TEMPERATURE)		GOVERNOR GP-ELECTRONIC-LOAD	
(ENGINE OIL).....	2077	SHARE	1160
	2079	GOVERNOR GP-LH.....	1039
GAUGE GP-TEMPERATURE (TEMPERATURE)			1045
(JACKET WATER).....	2077		1140
			1141

INDEX

NAME	PAGE	NAME	PAGE
GOVERNOR GP-RH.....	1140	HARNESS AS-PANEL (GOVERNOR).....	2017
	1143		2035
GOVERNOR GP-WOODWARD-LH.....	1046	HARNESS AS-PANEL (GOVERNOR) (EMCP	
GREASE GUN GP	2127	II)	1160
GUARD GP-BELT-ALTERNATOR.....	274	HARNESS AS-PANEL (INTERNAL	
	275	COMPONENTS)	1867
	276		1870
	277		2029
	278		2033
GUARD GP-COUPLING.....	279		2051
	280	HARNESS AS-PANEL (INTERNAL)	2017
GUARD GP-DAMPER.....	281		2021
	282		2025
		HARNESS AS-PANEL (JUNCTION BOX).....	1350
		HARNESS AS-PANEL (LOAD SHARE GOVERNOR	
		& METERING).....	1974
		HARNESS AS-PANEL (POWER	
		METERING).....	1974
		HARNESS AS-PANEL (PYROMETER).....	1865
			2055
		HARNESS AS-PANEL (PYROMETER) (LH)....	2086
		HARNESS AS-PANEL (PYROMETER) (RH) ...	2085
		HARNESS AS-PANEL (QUAD GAUGE	
		MODULE).....	1869
		HARNESS AS-PANEL (RELAY MODULE)	2039
			2042
			2045
			2048
		HARNESS AS-PANEL (REVERSE POWER	
		RELAY).....	2000
		HARNESS AS-PANEL (SYNCHRONIZING LIGHTS	
		MODULE).....	2000
		HARNESS AS-PANEL (TERMINAL BLOCK	
		CONNECTION).....	2038
		HARNESS AS-PANEL (TERMINAL BLOCK) ...	2041
			2044
			2047
			2051
		HARNESS AS-PANEL (TERMINAL STRIP)	2039
			2042
			2045
			2048
		HARNESS AS-PANEL-AC CONNECTIONS	1440
			1441
		HARNESS AS-PANEL-AC EXTERNAL	1442
			1443
		HARNESS AS-PANEL-AC INTERNAL.....	1442
			1443
		HARNESS AS-PANEL-ALARM MODULE	1443
		HARNESS AS-PANEL-ALARM, NFPA 110	1443
		HARNESS AS-PANEL-AUTOMATIC	
		MODULE.....	1442
		HARNESS AS-PANEL-DC.....	1445
		HARNESS AS-PANEL-DC EXTERNAL	1442
			1443
		HARNESS AS-PANEL-DC INTERNAL.....	1442
		HARNESS AS-PANEL-GENERATOR SET	
		CONTROL	1440
			1441
			1444

H

INDEX

NAME	PAGE	NAME	PAGE
HARNESS AS-PANEL-GOVERNOR.....	1440	HEATER GP-JACKET WATER-RH.....	1460
	1441		1462
HARNESS AS-PANEL-MANUAL MODULE.....	1442		1463
HARNESS AS-PANEL-PRODUCT LINK.....	1445		1464
HARNESS AS-PANEL-RELAY 2.....	1441		1465
HARNESS AS-PANEL-SLAVE RELAY.....	1441		1466
HARNESS AS-PANEL-TERMINAL BLOCK.....	1439	HOSE AS.....	483
HARNESS AS-PANEL-TERMINAL STRIP.....	1440		484
HARNESS AS-POWER.....	1345		485
HARNESS AS-SENSOR.....	1446		486
HARNESS AS-SENSOR (SPEED).....	1578		487
HARNESS AS-SENSOR (THERMOCOUPLE) ..	1820		488
	1849		489
	2068		490
HARNESS AS-SWITCH (START).....	1785		491
HARNESS AS-WIRING (CURRENT			492
TRANSFORMER).....	1821		493
	1822	HOUSING & REGULATOR GP.....	645
	1823		646
	1824	HOUSING & REGULATOR GP-	
	1825	AFTERCOOLER.....	643
	1826	HOUSING & REGULATOR GP-INLET	
	1827	CONTROL.....	647
HARNESS AS-WIRING (PYROMETER).....	1847		648
	1848		649
			650
HARNESS AS-WIRING-VALVE		HOUSING GP-FLYWHEEL.....	283
MECHANISM.....	1447		284
HARNESS GP-WIRING.....	1448		285
	1454		286
HEAT EXCHANGER GP-SEA WATER.....	614		287
	615		288
	616		289
	617		290
	619	HOUSING GP-FRONT.....	292
	620		294
	621	HOUSING GP-FRONT-ACCESSORY DRIVE....	291
	622		293
	623	HOUSING GP-GOVERNOR.....	1161
	624		1162
	626		1163
	627		
	629		
	630		
	631		
	632		
	634		
	635	INDICATOR (GEAR OIL PRESSURE).....	2069
	636		2073
	638	INDICATOR (TRANSMISSION OIL	
	639	PRESSURE).....	2071
	640		2075
	641	INDICATOR (WATER TEMPERATURE).....	1890
HEATER GP-JACKET WATER.....	1457		2069
	1458		2073
	1468	INDICATOR AS (ENGINE OIL).....	494
	1469	INDICATOR AS (FUEL PRESSURE).....	1958
	1470		1960
HEATER GP-JACKET WATER-LH.....	1459		1962
	1461		1964
	1467		1966
			1968
		INDICATOR GP-AIR FILTER CHANGE.....	843

I

INDEX

NAME	PAGE	NAME	PAGE
INDICATOR GP-OIL FILTER CHANGE	494	KIT-GASKET-FRONT STRUCTURE	2130
INDICATOR-AIR FILTER SERVICE	843	KIT-GASKET-REAR STRUCTURE	2132
INDICATOR-PRESSURE (ENGINE OIL)	2065	KIT-GASKET-SINGLE FUEL INJECTOR.....	2139
INDICATOR-PRESSURE (GEAR OIL)	2065	KIT-GASKET-WATER PUMP	2135
INDICATOR-TEMPERATURE (WATER).....	2065		2136
INJECTOR GP-FUEL	1164	KIT-INSERT-CYLINDER BLOCK	2140
	1165	KIT-SEAL-SINGLE CYLINDER LINER.....	2141
	1166	KIT-SERVICE METER.....	1482
	1167	KIT-TURBOCHARGER GASKET	844
	1168	KIT-VALVE.....	2142
	1211	KIT-WATER PUMP	651
	1229		
	1230		
	1231		
	1233		
INSERT-LINER SEAT	2128		
		L	
		LAMP (12-VOLT) (12 VOLT)	2065
		LAMP (120-VOLT, 6-WATT) (CLEAR).....	1996
			1998
		LAMP (24-VOLT, 0.17-AMPERE) (CLEAR).....	1871
		LAMP (24-VOLT, 0.2-AMPERE) (CLEAR).....	2033
			2054
		LAMP (24-VOLT)	2071
			2075
		LAMP (24-VOLT) (CLEAR)	1867
		LAMP (MINIATURE)(28 VOLT).....	2069
			2073
		LAMP AS (120-VOLT, 3-WATT) (CLEAR)	2034
			2054
		LEVER GP-CALIBRATION (GOVERNOR).....	994
		LIFTING GP-ENGINE	323
			324
		LINER-CYLINDER BLOCK.....	325
		LINES GP-AFTERCOOLER WATER.....	652
			654
		LINES GP-AIR	846
			850
			851
			852
			854
			856
		LINES GP-AIR SHUTOFF.....	858
		LINES GP-AIR STARTING	1491
			1493
			1495
			1497
			1499
		LINES GP-AIR STARTING-RH	1483
			1485
			1487
			1489
			1502
			1504
		LINES GP-AIR-PRELUBRICATION PUMP	845
			849
		LINES GP-AUXILIARY FRESH WATER	656
			658
			660
			662

K

INDEX

NAME	PAGE	NAME	PAGE
LINES GP-AUXILIARY SEA WATER	664	LINES GP-INSTRUMENT PANEL-RH	1903
	666		1905
	668		1907
	670		1909
	672		1911
	674		1928
	676		1929
	678		1931
	680		1941
	682		1943
LINES GP-CENTRIFUGAL FILTER.....	495		1945
LINES GP-DIVERter VALVE	1169		1946
	1171		1950
LINES GP-ENGINE OIL	496		1951
	500		1954
	503		1958
	506		1960
	510		1964
LINES GP-FLEXIBLE FUEL	1173		1966
LINES GP-FUEL INJECTION	1174	LINES GP-OIL SUPPLY.....	515
	1178		517
	1182	LINES GP-OIL SUPPLY-PRELUBRICATION	513
	1185	LINES GP-PRELUBRICATION-LH.....	521
	1188		523
	1191	LINES GP-PRELUBRICATION-RH	518
	1194		520
LINES GP-FUEL RATIO CONTROL.....	1203	LINES GP-SHUTOFF	1508
	1204		1509
LINES GP-FUEL RATIO CONTROL-L.H.....	1199	LINES GP-SHUTOFF-LH.....	1510
LINES GP-FUEL RATIO CONTROL-R.H.....	1198	LINES GP-SHUTOFF-RH	1506
LINES GP-FUEL RATIO CONTROL-RH.....	1200	LINES GP-SUMP	525
	1201	LINES GP-SUMP-TRANSMISSION OIL.....	525
LINES GP-INSTRUMENT PANEL	1919	LINES GP-TURBOCHARGER AIR	860
	1921		862
	1923		865
	1924		868
	1926	LINES GP-TURBOCHARGER OIL.....	526
	1933		528
	1935		530
	1947		532
	1948	LINES GP-TURBOCHARGER WATER.....	684
	1970	LINES GP-WATER.....	699
	1971		700
	1972		704
	1973		710
LINES GP-INSTRUMENT PANEL-LH.....	1899	LINES GP-WATER-AFTERCOOLER.....	690
	1901		693
	1913	LINES GP-WATER-LOWER	688
	1915		706
	1917		708
	1918	LINES GP-WATER-TRANSMISSION	
	1937	COOLER.....	701
	1938		702
	1940	LINES GP-WATER-TURBOCHARGER.....	697
	1952		703
	1956		705
	1962	LINES GP-WATER-UPPER.....	686
	1968		712
		LINKAGE GP-GOVERNOR	1205

INDEX

NAME	PAGE	NAME	PAGE
LUBRICATOR GP-AIR MOTOR.....	845	MOUNTING GP-HYD PUMP DRIVE.....	335
	849		336
	850		337
	851		338
	1511		339
	1512		340
	1513		341
	1514		342
	1515	MOUNTING GP-INSTRUMENT PANEL.....	2003
LUBRICATOR GP-AIR MOTOR (STARTING) ..	1485		2004
	1489		2005
			2007
			2009
			2011
			2012
			2013
			2015
			2016
		MOUNTING GP-INSTRUMENT PANEL-LH	2001
		MOUNTING GP-JACKET WTR HEATER-LH...	1530
			1532
			1537
			1541
			1543
			1545
			1547
			1549
			1551
			1555
			1557
		MOUNTING GP-JACKET WTR HEATER-RH ..	1524
			1526
			1528
			1534
			1539
			1553
		MOUNTING GP-JUNCTION BOX	1559
			1560
		MOUNTING GP-MARINE XMSN	1862
			1863
		MOUNTING GP-SOUND ISOLATION.....	343
			344
		MUFFLER.....	878
			879
			880
		MUFFLER GP-SPARK ARRESTOR	881
M			
MANIFOLD GP-EXHAUST.....	871		
	873		
	876		
	877		
MANIFOLD GP-FUEL-LH.....	1207		
MANIFOLD GP-FUEL-RH	1206		
MEMBRANE AS.....	326		
METER AS-POWER	1974		
METER GP-SERVICE.....	1482		
	1975		
	1976		
	1977		
	1978		
MODULE GP-ALARM	1979		
	1980		
	1981		
	1982		
	1983		
	1984		
	1985		
	1986		
	1987		
	1988		
	1989		
	1990		
	1991		
	1992		
MODULE GP-QUAD GAUGE	1993		
	1994		
	1995		
MODULE GP-SYNCHRONIZING LIGHTS	1996		
	1998		
	2000		
MOTOR GP-PRELUBRICATION.....	561		
MOUNTING GP-ALTERNATOR	327		
	329		
	331		
	333		
MOUNTING GP-CONTACTOR	1516		
	1518		
	1520		
MOUNTING GP-CONTACTOR-ALARM OR SHUTOFF.....	1522		
MOUNTING GP-GOVERNOR ACTUATOR.....	1208		
P			
		PAN GP-OIL	345
			350
			352
			360
		PAN GP-OIL-DEEP SUMP	347
			356
			358
		PAN GP-OIL-FRONT SUMP.....	348
		PAN GP-OIL-REAR SUMP.....	354
		PANEL AS-GOVERNOR.....	1209

INDEX

NAME	PAGE	NAME	PAGE
PANEL GP-CONTROL	2017	PLUG-DRAIN (WATER PUMP HOUSING)	762
	2021		764
	2025	PLUG-OIL DRAIN.....	105
	2029		350
	2033		352
	2038	PLUG-OIL DRAIN (ENGINE OIL PAN)	348
	2041		354
	2044		356
	2047		358
	2050		360
PANEL GP-ELECTRONIC	2054	POTENTIOMETER (10,000-OHM) (SPEED ADJUST).....	2048
PANEL GP-INSTRUMENT.....	2055	POTENTIOMETER (10,000-OHM) (VOLTAGE ADJUST).....	2018
	2057		2022
	2059		2026
	2060		2030
	2062		2034
	2063		2039
	2065		2041
	2066		2044
	2068		2051
	2069		
	2071	POTENTIOMETER (100-OHM, 2-WATT) (GOVERNOR)	1160
	2073	POWER TAKE-OFF GP.....	381
	2075		382
	2077		383
	2079		384
	2081		386
	2083		387
PANEL GP-INSTRUMENT-EMCP II.....	2061		388
PARTS GP-ENGINE OVERHAUL	362		389
	364		
PISTON & ROD GP	366	PROTECTION GP-ENGINE.....	1562
	368	PULLEY AS-CRANKSHAFT.....	391
	370		392
	372	PULLEY GP-AUXILIARY DRIVE-LOWER FRONT, LH.....	394
	374		397
	376		398
	378		
PISTON GP.....	374	PULLEY GP-AUXILIARY DRIVE-LOWER REAR, LH.....	395
	376	PULLEY GP-AUXILIARY DRIVE-UPPER FRONT, LH.....	396
PLATE AS-BRUSH	1561	PULLEY GP-AUXILIARY DRIVE-UPPER REAR, LH.....	393
PLATE GP-IDENTIFICATION (JUNCTION BOX)	1350	PULLEY GP-AUXILIARY DRIVE-UPPER REAR, RH	399
	1353		400
PLATE GP-INFORMATION-ROTATION, FIRING ORDER.....	2143	PUMP & LINES GP-PRELUBRICATION-DEEP SUMP	534
PLATE-IDENTIFICATION (HEAT START SWITCH).....	1889		536
PLATE-WARNING (POWER TAKE-OFF).....	52		
PLUG GP-FLYWHEEL HOUSING.....	380		
PLUG GP-INSTRUMENT PANEL	1411		
PLUG-DRAIN.....	190		
	192		
	688		
	706		
	708		
PLUG-DRAIN (AUXILIARY SEA WATER PUMP).....	726		
	748		

INDEX

NAME	PAGE	NAME	PAGE
PUMP GP-AUXILIARY SEA WATER	714	PUMP GP-FUEL PRIMING-LH.....	1239
	716	PUMP GP-FUEL PRIMING-RH	1235
	717		1237
	719	PUMP GP-FUEL TRANSFER	1242
	721		1244
	723	PUMP GP-FUEL TRANSFER-1-SECTION	
	724	GEAR	1246
	726		1247
	728		1248
	730		1249
	732	PUMP GP-GEAR	1250
	734		1251
	736	PUMP GP-GEROTOR.....	1252
	738		1254
	740		1256
	742	PUMP GP-PRELUBRICATION	552
	744		554
	746		556
	748		558
PUMP GP-AUXILIARY WATER	752		560
	754		561
	756		563
	758		564
	760		565
	766		566
	768		568
PUMP GP-AUXILIARY WATER-FRESH			569
WATER.....	750		571
	762	PUMP GP-SCAVENGE	573
	764	PUMP GP-SCAVENGE-FRONT SUMP.....	574
PUMP GP-ENGINE OIL.....	547	PUMP GP-SUMP	575
PUMP GP-ENGINE OIL-2-SECTION GEAR.....	539		588
	541		590
	544		591
	545		593
	549	PUMP GP-SUMP-LH	582
	550		584
	551		586
PUMP GP-ENGINE OIL-MANUAL		PUMP GP-SUMP-RH	576
LUBRICATION.....	543		578
PUMP GP-FUEL INJECTION	1211		580
	1212	PUMP GP-WATER.....	769
	1213		770
	1214		772
	1216		773
	1217		774
	1219		776
	1220		777
	1221	PYROMETER GP.....	1865
	1222		2087
	1223		2088
	1224		2089
	1226		2090
	1228	PYROMETER GP (EXHAUST).....	2063
	1229		2077
	1230	PYROMETER GP (LH).....	2086
	1231	PYROMETER GP (RH)	2055
	1232		2085
	1233	PYROMETER GP-LH	2087
PUMP GP-FUEL PRIMING	1234	PYROMETER GP-PANEL, LH.....	2086
	1241		

INDEX

NAME	PAGE	NAME	PAGE
SEAL GP-PUMP.....	762	SENSOR GP-EXHAUST TEMPERATURE (TURBOCHARGER, LH).....	1835
SEAL GP-SPEED SENSOR-TIMING	1564	SENSOR GP-EXHAUST TEMPERATURE (TURBOCHARGER, RH)	1835
SEAL-CRANKSHAFT.....	2138	SENSOR GP-PRESSURE	307
SEAL-CRANKSHAFT (CLOCKWISE ROTATION)	315		1566
	2130		1567
SEAL-CRANKSHAFT (COUNTERCLOCKWISE ROTATION)	314		1568
	318		1569
	319		1570
	2132		1571
SEAL-INTEGRAL	91		1572
	92		1573
	94		1574
	314	SENSOR GP-PRESSURE (ATMOSPHERIC) ...	1835
	319		1839
	2132	SENSOR GP-PRESSURE (CRANKCASE)	1835
SEAL-INTEGRAL (FLYWHEEL HOUSING).....	318		1839
SEAL-VALVE COVER.....	107	SENSOR GP-PRESSURE (ENGINE OIL).....	1887
	110	SENSOR GP-PRESSURE (FILTERED FUEL)	1835
	295		1839
	298		1835
	305	SENSOR GP-PRESSURE (FILTERED OIL)....	1839
	310		1839
	316	SENSOR GP-PRESSURE (OIL).....	1587
	321	SENSOR GP-PRESSURE (TURBOCHARGER INLET, LH).....	1835
	322		1839
	362		
	364	SENSOR GP-PRESSURE (TURBOCHARGER INLET, RH)	1835
	1475		1839
SEAL-VALVE COVER (BASE)	106	SENSOR GP-PRESSURE (TURBOCHARGER OUTLET).....	1835
	108		1839
SEAL-VALVE COVER (BREATHER).....	440	SENSOR GP-PRESSURE (UNFILTERED FUEL)	1835
	442		1839
	443		
	444	SENSOR GP-PRESSURE (UNFILTERED OIL)	1835
	446		1839
SEAL-VALVE COVER (OIL FILLER)	450	SENSOR GP-PRESSURE-ENGINE OIL	1575
	451	SENSOR GP-SPEED	307
SEAL-VALVE COVER (VALVE COVER BASE)	109		1576
SENDER (GEAR OIL PRESSURE).....	2069		1577
	2073		1578
SENDER AS-PRESSURE (ENGINE OIL)	1891		1579
	2071		1580
	2075		1581
SENDER AS-PRESSURE (GEAR BOX OIL) ...	2071		1582
	2075		1583
SENDING UNIT (24-VOLT).....	1890		1584
	1891		1585
	2069		1594
	2071		1840
	2073	SENSOR GP-SPEED (ENGINE TIMING)	1578
	2075		1583
SENDING UNIT (ENGINE OIL PRESSURE) ...	1890		1975
	2069		1977
	2073		1978
SENSOR GP-EXHAUST TEMPERATURE.....	307	SENSOR GP-SPEED (MAGNETIC PICKUP)...	1594
	1565		
	1839		

INDEX

NAME	PAGE	NAME	PAGE
SENSOR GP-SPEED (MAGNETIC)	1585	SHIELD GP-ENGINE OIL LINES.....	595
SENSOR GP-SPEED (PRIMARY, TIMING)	1835		596
SENSOR GP-SPEED (SECONDARY, TIMING)	1835		597
SENSOR GP-SPEED (TIMING CALIBRATION)	1835		598
SENSOR GP-SPEED (TIMING)	1839	SHIELD GP-EXHAUST	601
SENSOR GP-SPEED-ENGINE.....	1576		602
SENSOR GP-SPEED-MAGNETIC, LOW OUTPUT	1586	SHIELD GP-FUEL LINES	883
SENSOR GP-TEMP & PRESS-ENGINE OIL...	1587		885
SENSOR GP-TEMPERATURE	307		887
	1565	SHIELD GP-FUEL LINES	1259
	1588		1260
	1589	SHIELD GP-FUEL LINES-FUEL MANIFOLD...	1264
	1590		1267
	1591	SHIELD GP-FUEL LINES-FUEL PRIMING PUMP	1262
	1592	SHIELD GP-HEAT	1263
SENSOR GP-TEMPERATURE (3-PIN) (AFTERCOOLER).....	1835	SHIELD GP-FUEL LINES-FUEL PRIMING PUMP	1257
	1839	SHIELD GP-HEAT	888
SENSOR GP-TEMPERATURE (3-PIN) (COOLANT)	1839	SHIELD GP-PROTECTION-FUEL & OIL LINES	2145
SENSOR GP-TEMPERATURE (3-PIN) (ENGINE COOLANT).....	1835	SHIELD GP-TURBOCHARGER	889
SENSOR GP-TEMPERATURE (8-VOLT) (AIR)	1588	SHIELD GP-TURBOCHARGER-AIR	890
SENSOR GP-TEMPERATURE (CYLINDER EXHAUST)	1817	SHUTOFF & OIL FILLER GP	1269
	1818	SHUTOFF AR-ELECTRICAL	1594
SENSOR GP-TEMPERATURE (ENGINE COOLANT).....	1887		1595
SENSOR GP-TEMPERATURE (PWM-8VOLT, 500HZ)	1587	SHUTOFF GP-AIR.....	891
SENSOR GP-TEMPERATURE (THERMOCOUPLE).....	1592		893
SENSOR GP-TEMPERATURE (THERMOCOUPLE).....	1593		895
SENSOR GP-TEMPERATURE (TURBOCHARGER INLET).....	1819		897
SENSOR GP-TEMPERATURE- THERMOCOUPLE	1593		899
SEPARATOR GP-AIR.....	778		904
SHAFT GP-AUXILIARY DRIVE-LOWER FRONT, LH.....	415	SHUTOFF GP-AIR-INTAKE.....	901
SHAFT GP-AUXILIARY DRIVE-LOWER REAR, LH.....	411		902
SHAFT GP-AUXILIARY DRIVE-UPPER FRONT, LH.....	413		903
SHAFT GP-AUXILIARY DRIVE-UPPER FRONT, RH	407	SHUTOFF GP-CONTROL	1271
SHAFT GP-AUXILIARY DRIVE-UPPER REAR, LH.....	409		1274
SHAFT GP-STUB.....	417		1596
SHAFT GP-STUB-FRONT.....	418	SHUTOFF GP-ELECTRICAL.....	1600
SHAFT GP-STUB-REAR	419		1602
SHIELD AS-HEAT	882		1603
SHIELD GP	1856		1604
	1859	SHUTOFF GP-HYDROMECHANICAL.....	1277
			1279
			1281
			1283
			1285
			1287
			1289
			1292
			1295
		SHUTOFF GP-MANUAL.....	1296
		SHUTOFF GP-MANUAL-LH	1297
		SHUTOFF GP-MANUAL-RH, LH MOUNTED...	1298
		SHUTOFF GP-REMOTE.....	1299
			1300
		SILENCER GP-AIR STARTING	1607
			1608
		SOLENOID (AIR SHUTOFF).....	1619

INDEX

NAME	PAGE	NAME	PAGE
SOLENOID (ENERGIZED TO SHUTDOWN) ...	1600	STARTING MOTOR GP-AIR-REVERSE ROTATION, LH.....	1632
SOLENOID AS (24-VOLT) (STARTING MOTOR).....	1748		1633
	1782	STARTING MOTOR GP-AIR-RH.....	1637
SOLENOID AS (FUEL SHUTOFF).....	1603		1648
SOLENOID AS (SHUTOFF).....	1617		1649
SOLENOID AS (SHUTOFF).....	1618	STARTING MOTOR GP-AIR-SINGLE.....	1642
SOLENOID AS (STARTER).....	1658	STARTING MOTOR GP-ELECTRIC.....	1652
SOLENOID AS (STARTING MOTOR).....	1724		1655
	1727		1658
	1730		1661
SOLENOID AS-STARTING MOTOR.....	1609		1664
	1611		1667
	1612		1670
	1614		1673
	1615		1674
	1674		1679
	1679		1684
	1684		1689
	1699		1694
	1706		1699
	1716		1703
	1754		1706
SOLENOID AS-STARTING MOTOR (24- VOLT).....	1609		1711
	1611		1712
	1615		1715
	1662		1716
	1665		1719
	1667		1720
	1670		1723
	1673		1726
	1689		1729
	1694		1732
	1703		1735
	1712		1738
	1720		1741
	1736		1744
	1739		1745
	1742		1746
	1761		1747
SOLENOID AS-STARTING MOTOR (24-VOLT) (24- VOLT).....	1733		1748
SOLENOID GP-SHUTOFF.....	1619		1754
SOLENOID GP-SHUTOFF-AIR.....	1617		1757
	1618		1759
STARTING AID GP-ETHER.....	1621		1761
	1623		1764
	1625		1767
STARTING AID GP-SWITCH.....	1620		1778
STARTING MOTOR GP-AIR.....	1627	STARTING MOTOR GP-ELECTRIC-DUAL.....	1782
	1629		1752
	1635		1753
	1638		1770
	1640		1771
	1643		1772
	1645		1773
	1646		1774
	1650		1775
	1651		1776
STARTING MOTOR GP-AIR-LH.....	1630		1777

INDEX

NAME	PAGE	NAME	PAGE
STARTING MOTOR GP-ELECTRIC-SINGLE...	1750	SWITCH AS-PRESSURE (PRESSURE).....	1353
	1751	SWITCH AS-PUSH BUTTON	1785
	1779		1786
	1780	SWITCH AS-PUSH BUTTON (ALARM	
	1781	SILENCE).....	1870
STRAINER AS (ENGINE OIL)	513		1982
	534	SWITCH AS-PUSH BUTTON (EMERGENCY	
	536	STOP)	1350
STRIP AS-TERMINAL-EMCP II.....	1784		1866
SUPPORT GP-ENGINE	420		1869
	421		2017
	422		2021
SUPPORT GP-POWER TAKE-OFF	423		2025
SUPPORT GP-TURBOCHARGER.....	905		2029
	906		2033
SWITCH	1385		2038
SWITCH (AIR STARTING)	1374		2041
	1398		2044
SWITCH (ENGINE START).....	1787		2047
SWITCH (START)	1396		2050
	1786	SWITCH AS-PUSH BUTTON (ENGINE	
SWITCH (START/BYPASS).....	1808	START).....	1402
SWITCH AS (PRESSURE) (ENGINE OIL).....	1890		1799
	1891		1800
SWITCH AS (START-STOP).....	1809	SWITCH AS-PUSH BUTTON (ETHER	
SWITCH AS-LIQUID LEVEL (LIQUID LEVEL)		INJECTION).....	1625
(COOLANT).....	780	SWITCH AS-PUSH BUTTON (LAMP TEST) ...	1982
SWITCH AS-MAGNETIC (24-VOLT) (AIR			1987
SHUTOFF)	1345		1990
SWITCH AS-MAGNETIC (24-VOLT)		SWITCH AS-PUSH BUTTON (SECONDARY	
(PRELUBRICATION PUMP)	1345	STOP)	1353
SWITCH AS-MAGNETIC (24-VOLT) (STARTING		SWITCH AS-PUSH BUTTON (START)	1400
MOTOR)	1345		1785
	1866	SWITCH AS-PUSH BUTTON-START.....	1787
	1869	SWITCH AS-ROTARY (ENGINE CONTROL)...	1866
	2018		1869
	2022	SWITCH AS-SELECTOR	1788
	2026		1789
	2030	SWITCH AS-SPEED	1790
	2034	SWITCH AS-SPEED (ELECTRONIC) (OVER	
	2038	SPEED).....	1353
	2041	SWITCH AS-SPEED (OVERSPEED)	1350
	2044	SWITCH AS-TEMPERATURE.....	1363
	2047		1791
	2050	SWITCH AS-TEMPERATURE (ENGINE	
SWITCH AS-PRESSURE	554	COOLANT).....	1621
	1353		1623
SWITCH AS-PRESSURE (ENGINE OIL).....	1350		1625
	2069	SWITCH AS-TEMPERATURE (INLET	
	2071	MANIFOLD)	1365
	2073	SWITCH AS-TOGGLE.....	1792
	2075		1793
SWITCH AS-PRESSURE (FUEL)	1169	SWITCH AS-TOGGLE (CLEAR, MODE)	1866
	1171		1869
SWITCH AS-PRESSURE (OIL PRESSURE)	552	SWITCH AS-TOGGLE (ENGINE SHUTOFF) ...	1796
	556	SWITCH AS-TOGGLE (ETHER INJECTION)...	1621
	558		1623
	1362	SWITCH AS-TOGGLE (MANUAL START)	1867
SWITCH AS-PRESSURE			1870
(PRELUBRICATION)	571		
	1348		

INDEX

NAME	PAGE	NAME	PAGE
SWITCH AS-TOGGLE (SINGLE POLE) (ENGINE PARAMETER, RH, LH)	1866 1869	SWITCH-LIQUID LEVEL (COOLANT).....	782
SWITCH AS-TOGGLE (SINGLE POLE) (PANEL LIGHT).....	2034 2054	SWITCH-ROTARY (4-POSITION) (ENGINE CONTROL).....	2017 2021 2025 2029 2033
SWITCH AS-TOGGLE (SINGLE POLE) (SCROLL).....	1866 1869		2038 2041
SWITCH AS-TOGGLE (START/STOP).....	1809		2044
SWITCH AS-TOGGLE (STARTING AID).....	1620		2047
SWITCH GP-COOLANT LEVEL.....	780 781 782	SWITCH-TOGGLE (ON/OFF CONTROL).....	2050 1996 1998
SWITCH GP-ENGINE	1604 1794 1795	SWITCH-TOGGLE (PRELUBRICATION OVERRIDE).....	1867 1871
SWITCH GP-ENGINE (ELECTRIC SHUTOFF)	1605	SWITCH-TOGGLE (SINGLE POLE) (STARTING AID)	1813
SWITCH GP-ENGINE (EMERGENCY STOP)	1605		
SWITCH GP-ENGINE (SHUTOFF)	1602	T	
SWITCH GP-ENGINE START	1797 1798 1799 1800	TACHOMETER GP-ELECTRIC.....	2092 2093 2094 2095 2096
SWITCH GP-ENGINE-SHUTOFF.....	1796	TANK GP-AIR.....	1815
SWITCH GP-MAGNETIC	1801 1802 1803 1804 1805	TANK GP-COOLANT.....	783
SWITCH GP-MAGNETIC (24-VOLT) (PRELUBRICATION PUMP)	1805	TANK GP-EXPANSION.....	784 787 790
SWITCH GP-MAGNETIC (24-VOLT) (STARTING MOTOR).....	1801 1802 1803	TAPE-ANTI-SPLASH.....	2148
SWITCH GP-MAGNETIC (REMOTE START)...	1806	THERMOCOUPLE	1816
SWITCH GP-REMOTE STARTING.....	1806	THERMOCOUPLE GP	1817 1818 1819 1820
SWITCH GP-START	1797 1808	TIMER GP	2097
SWITCH GP-START (START/BYPASS).....	1387 1389	TOOL GP-HAND	2149
SWITCH GP-START/STOP	1809	TRANSFORMER GP-CURRENT	1821 1822 1823 1824
SWITCH GP-TEMPERATURE.....	1364 1810 1811	TRANSFORMER GP-POTENTIAL.....	1828
SWITCH GP-TEMPERATURE (WATER TEMPERATURE)	1362	TRANSFORMER GP-CURRENT	1821
SWITCH GP-TEMPERATURE (WATER).....	1169 1171 1361	TRUNNION GP-ENGINE	424
SWITCH GP-TEMPERATURE-WATER, COOLANT	1812	TUBE.....	1301
SWITCH GP-TOGGLE	1813 1814		
SWITCH GP-TOGGLE (OVERSPEED VERIFY)	1866 1870		
SWITCH-LIQUID LEVEL.....	781		

INDEX

NAME	PAGE	NAME	PAGE
TURBOCHARGER GP	907	VALVE GP-FLUID SAMPLING-OIL	798
	908	VALVE GP-FUEL SHUTOFF	1302
	909		1303
	910	VALVE GP-PRESSURE CONTROL	1304
	911		1305
	912	VALVE GP-PRESSURE REDUCING-RH.	1832
	913	VALVE GP-RELAY	1485
	914		1489
	915		1491
	918		1493
	919		1502
	920	VALVE GP-RELAY (AIR STARTER RELAY) ...	1499
	921	VALVE GP-RELAY (AIR STARTING)	1483
	922		1487
	924		1495
-955			1497
TURBOCHARGER GP-LH	916		1504
TURBOCHARGER GP-RH	917	VALVE GP-SPEED SENSING	1306
		VALVE MECHANISM GP	428
			430
			432
			434
			436
			438
		VALVE-DRAIN (AIR TANK)	1815
V		W	
V-BELT GP	31	WIRE AS-SERVICE METER	1834
V-BELT GP (AIR COMPRESSOR)	35	WIRING GP-ENGINE	1835
	38		1839
V-BELT SET (INCLUDES 2-BELTS)			1843
(ALTERNATOR)	327		1844
	329	WIRING GP-ENGINE-LH	1845
VALVE (AIR TANK)	1815	WIRING GP-GOVERNOR SOLENOID	1846
VALVE AS-RELIEF (AIR COMPRESSOR)	24	WIRING GP-PYROMETER	1847
	26		1848
VALVE AS-SOLENOID (AIR START)	1387		1849
	1389		
	1391		
	1393		
	1394		
	1395		
	1400		
	1402		
	1630		
	1633		
VALVE AS-SOLENOID-AIR START	1829		
VALVE GP-AIR CONTROL	956		
	957		
VALVE GP-AIR CONTROL-RH	958		
VALVE GP-CHECK-AUXILIARY WATER			
PUMP	793		
VALVE GP-CONTROL	1830		
	1831		
VALVE GP-DIVERTER	794		
	795		
	796		
	797		
VALVE GP-EXPLOSION RELIEF	425		
VALVE GP-EXPLOSION RELIEF			
(CRANKCASE)	426		
	427		
VALVE GP-EXPLOSION RELIEF-			
CRANKCASE	426		
	427		
VALVE GP-FLUID CONTROL-DUPLEX OIL	603		

AIR INLET AND EXHAUST SYSTEM

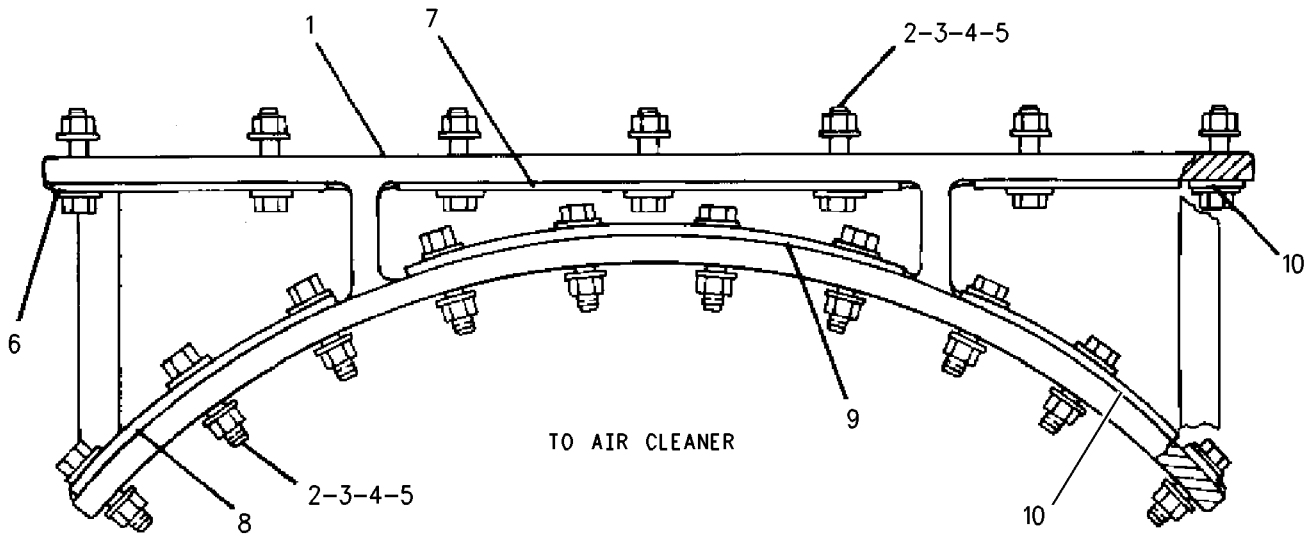
7N-8549 ADAPTER GP-AIR CLEANER

FOR USE WITH 10-INCH AIR CLEANER
AN ATTACHMENT

SMCS-1051

i02220726

NOTE	REF NO	GRAPHIC REF	PART NUMBER	QTY	PART NAME						SEE PAGE
					1	2	3	4	5	6 (PRODUCT LEVEL)	
	1	1	7N-7416	2	ADAPTER-AIR CLEANER						
	2	1	4M-6425	84	BOLT (5/16-18X1-IN)						
	3	1	8T-4224	168	WASHER-HARD (8.8X16X2-MM THK)						
	4	1	7D-4493	84	TUBE						
	5	1	6V-8189	84	NUT (5/16-18-THD)						
	6	1	1W-0431	8	STRIP						
	7	1	1W-0432	4	STRIP						
	8	1	1W-0433	8	STRIP						
	9	1	1W-0434	4	STRIP						
	10	1	1W-0494	8	STRIP						



GRAPHIC #1

<END>

g00820859

AIR INLET AND EXHAUST SYSTEM

7W-9828 ADAPTER GP-AIR CLEANER

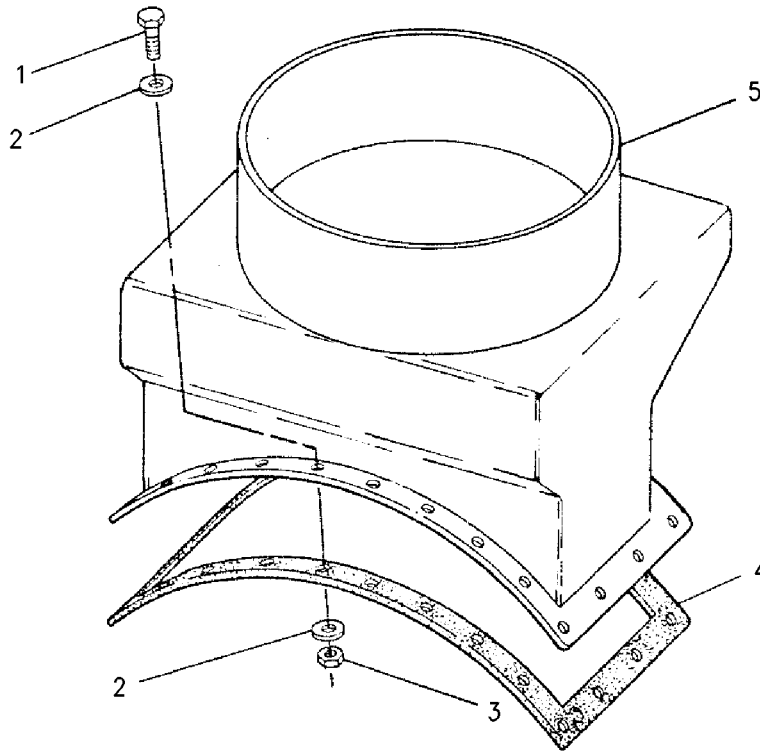
FOR USE WITH 12-INCH INNER DIAMETER DUCTING
AN ATTACHMENT

SMCS-1051

i05934676

NOTE	REF NO	GRAPHIC REF	PART NUMBER	QTY	PART NAME						SEE PAGE
					1	2	3	4	5	6	
	1	1	8T-9043	48	BOLT (5/16-18X0.875-IN)						
	2	1	8T-4224	96	WASHER-HARD (8.8X16X2-MM THK)						
	3	1	031-4155	48	LOCKNUT (5/16-18-THD)						
	4	1	5N-7830	2	GASKET						
	5	1	7W-9829	2	ADAPTER AS						

QUANTITIES SHOWN ARE THOSE REQUIRED FOR BOTH LH & RH SIDES



GRAPHIC #1

<END>

g00826427

AIR INLET AND EXHAUST SYSTEM

107-7196 AFTERCOOLER GP-TREATED WATER

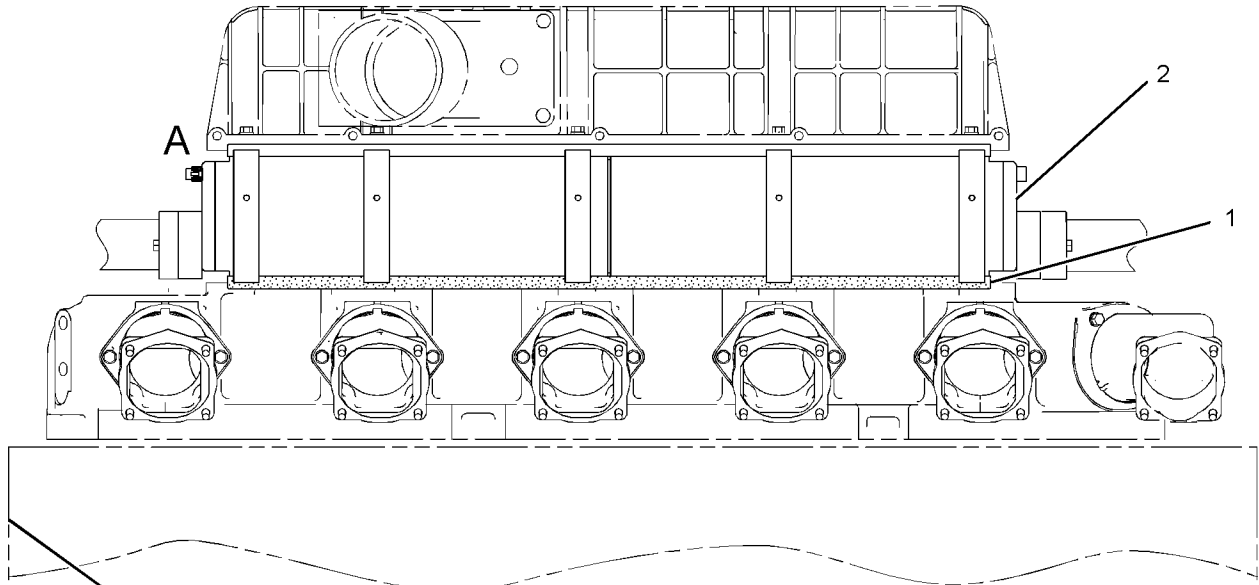
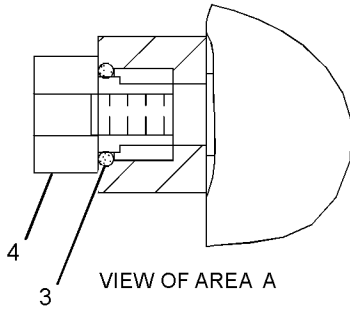
S/N: 50Y647-1304

PART OF 376-4849 ENGINE AR-COMplete

SMCS-1063

i02493561

NOTE	REF NO	GRAPHIC REF	PART NUMBER	QTY	PART NAME						SEE PAGE
					1	2	3	4	5	6 (PRODUCT LEVEL)	
	1	1	107-3759	2	SEAL						
	2	1	282-8217	1	CORE AS-AFTERCOOLER						
	3	1	6V-9027	1	SEAL-O-RING						
	4	1	9S-4182	1	PLUG (7/16-20-THD)						



REAR FACE OF CYLINDER BLOCK
GRAPHIC #1

<END>

g01247036

AIR INLET AND EXHAUST SYSTEM

258-1086 AFTERCOOLER GP-TREATED WATER

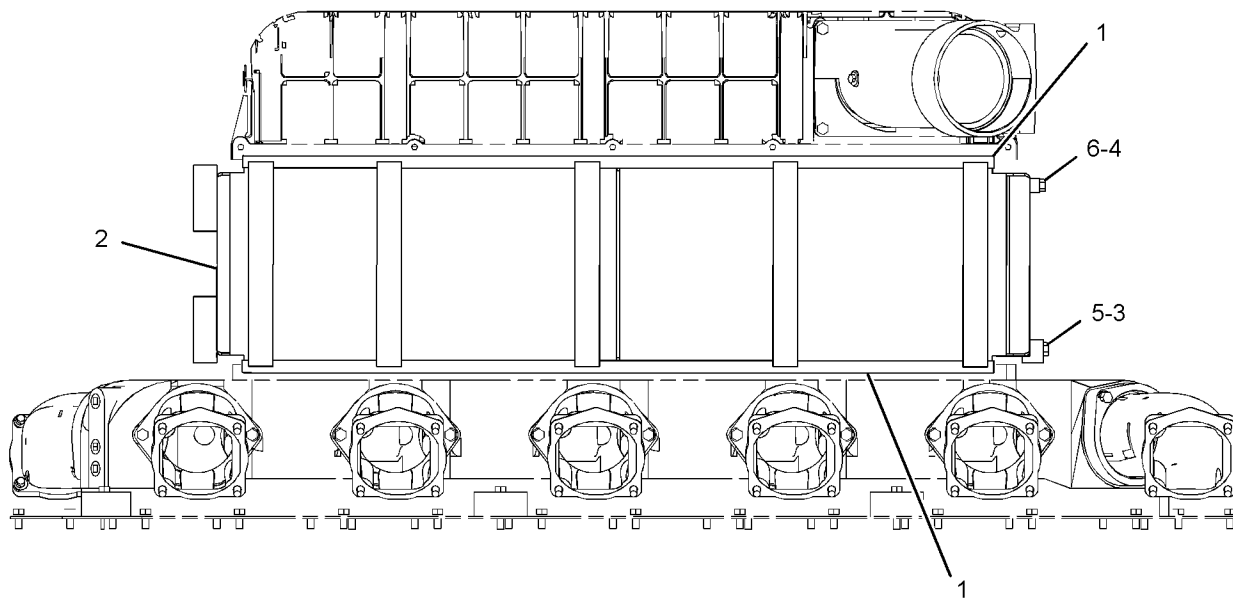
S/N: 50Y647-1304

PART OF 357-0858 ENGINE AR-COMplete

SMCS-1063

i02281047

NOTE	REF NO	GRAPHIC REF	PART NUMBER	QTY	PART NAME						SEE PAGE
					1	2	3	4	5	6 (PRODUCT LEVEL)	
	1	1	107-3759	2	SEAL						
	2	1	245-4622	1	CORE AS-AFTERCOOLER						
	3	1	1J-9671	1	SEAL-O-RING						
	4	1	3J-7354	1	SEAL-O-RING						
	5	1	3K-8460	1	PLUG (1/2-20-THD)						
	6	1	9S-4182	1	PLUG (7/16-20-THD)						



LEFT SIDE VIEW

GRAPHIC #1

<END>

g01164514

AIR INLET AND EXHAUST SYSTEM

1W-9461 AFTERCOOLER GP-WATER

S/N: 66Z190-578

FRESH AIR

SMCS-1063

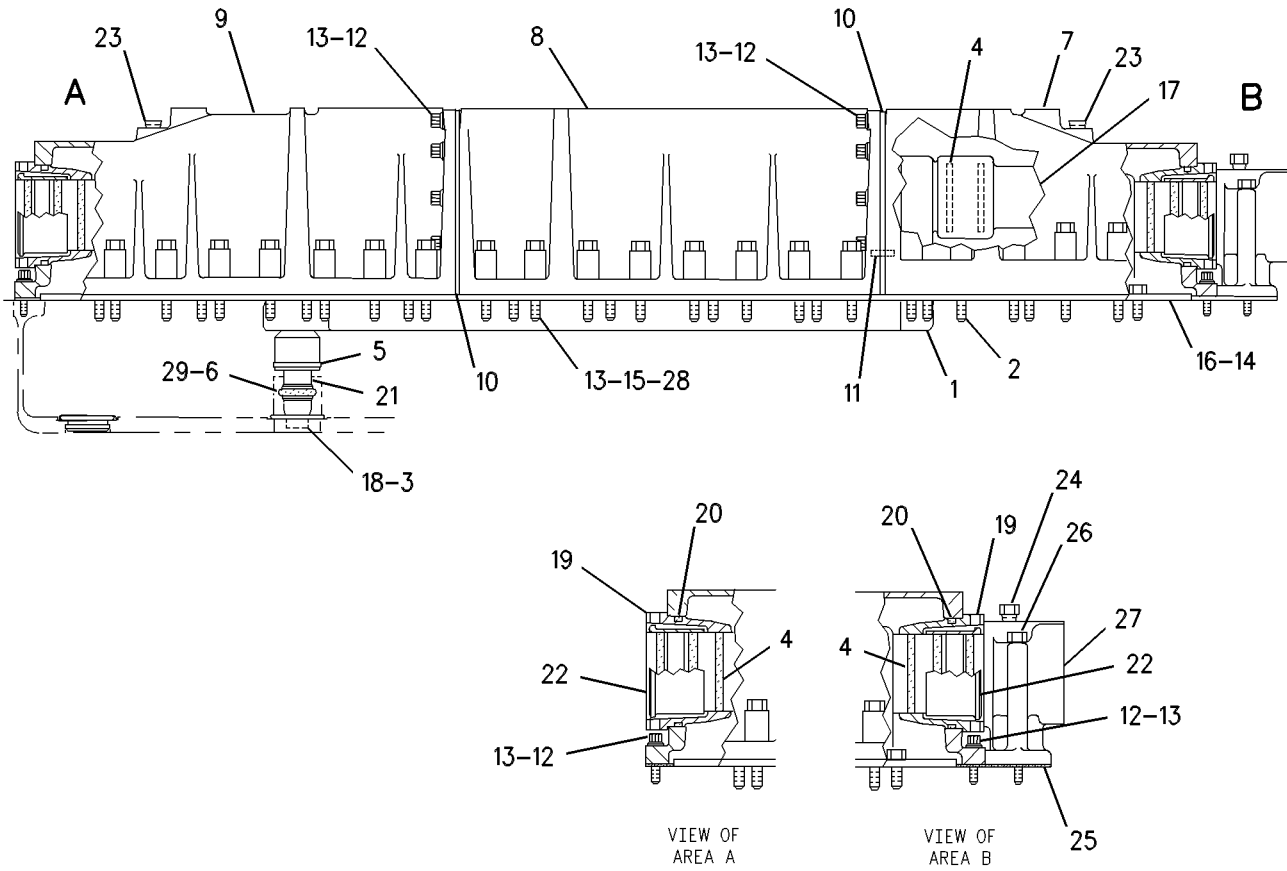
i00931539

NOTE	REF NO	GRAPHIC REF	PART NUMBER	QTY	PART NAME						SEE PAGE
					1	2	3	4	5	6 (PRODUCT LEVEL)	
	1	1	7W-5456	1	CORE AS-AFTERCOOLER						
	2	1	031-4630	22	BOLT-LOCKING (5/16-18X0.75-IN)						
	3	1	8T-2929	2	SEAL-O-RING						
	4	1	6V-1454	10	SEAL-O-RING						
	5	1	1M-7913	1	RING-RETAINING						
	6	1	8C-5209	2	SEAL-O-RING						
	7	1	107-8758	1	HOUSING-FRONT						
	8	1	107-8759	1	HOUSING-INTERMEDIATE						
	9	1	107-8760	1	HOUSING-REAR						
	10	1	1W-1253	2	GASKET						
	11	1	4N-0684	4	DOWEL (.75 LONG)						
	12	1	1T-0720	20	BOLT-12 POINT HEAD (3/8-16X1.25-IN)						
	13	1	5M-2894	64	WASHER-HARD (10.2X18.5X2.5-MM THK)						
	14	1	8N-2410	1	GASKET						
	15	1	0L-1143	44	BOLT (3/8-16X2.5-IN)						
	16	1	1N-3268	2	COVER						
	17	1	1N-3269	2	PIPE						
	18	1	8T-2928	2	SEAL-O-RING						
	19	1	8N-2409	2	ADAPTER						
	20	1	7M-9909	2	SEAL-O-RING						
	21	1	1W-5421	1	CONNECTOR						
	22	1	1W-5728	2	SLEEVE						
	23	1	8T-6762	4	PLUG-PIPE (1/2-14-THD)						
	24	1	8T-6765	1	PLUG-PIPE (1/4-18-THD)						
	25	1	1A-9066	1	GASKET						
	26	1	5F-4899	2	BOLT (3/8-16X5.5-IN)						
	27	1	8N-9654	1	ADAPTER						
	28	1	1W-4955	44	SPACER (11.36X17.46X27-MM THK)						
	29	1	8T-2929	2	SEAL-O-RING						

AIR INLET AND EXHAUST SYSTEM

1W-9461 AFTERCOOLER GP-WATER (contd.)

i00931539



GRAPHIC #1

<END>

g00296145

AIR INLET AND EXHAUST SYSTEM

1W-9463 AFTERCOOLER GP-WATER

S/N: 50Y647-657

SEA AIR

FOR USE WITH AIR LINES AND 5N2068 AIR SHUT-OFF, 1W-9617 LINES GP-AIR, 1W-9618 LINES GP-AIR

SMCS-1063

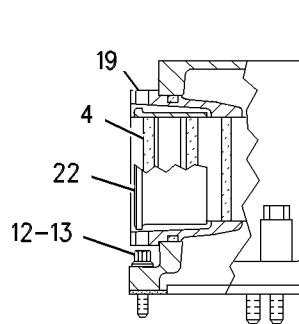
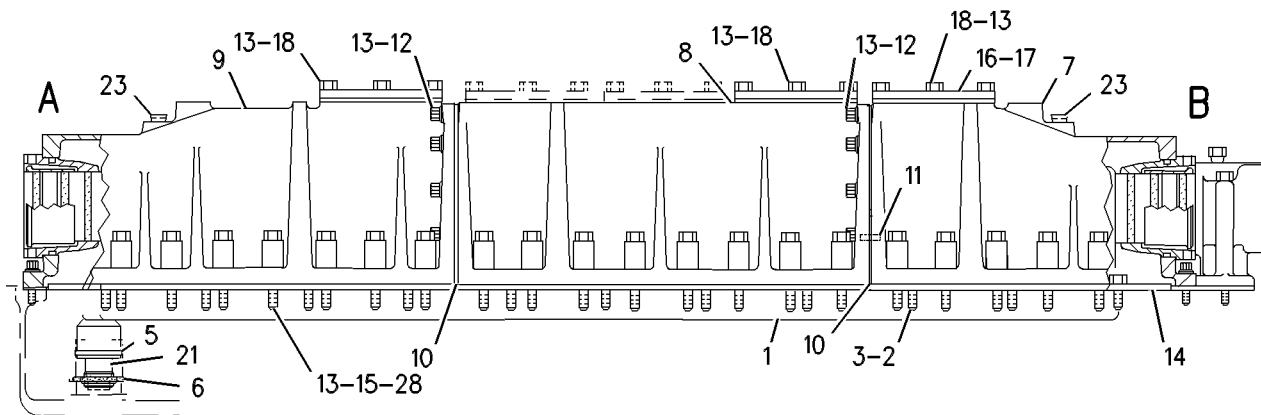
i00943496

NOTE	REF NO	GRAPHIC REF	PART NUMBER	QTY	PART NAME						SEE PAGE
					1	2	3	4	5	6	
	1	1	1W-6852	1	CORE AS-AFTERCOOLER						
	2	1	0S-1617	22	BOLT (5/16-18X0.75-IN)						
	3	1	9M-1974	22	WASHER-HARD (8.8X16X2-MM THK)						
	4	1	6V-1454	6	SEAL-O-RING						
	5	1	1M-7913	1	RING-RETAINING						
	6	1	4H-1860	2	SEAL-O-RING						
	7	1	1W-1258	1	HOUSING-FRONT						
	8	1	1W-1259	1	HOUSING-INTERMEDIATE						
	9	1	1W-1260	1	HOUSING-REAR						
	10	1	1W-1253	2	GASKET						
	11	1	4N-0684	4	DOWEL						
	12	1	1T-0720	20	BOLT-12 POINT HEAD (3/8-16X1.25-IN)						
	13	1	5M-2894	88	WASHER-HARD (10.2X18.5X2.5-MM THK)						
	14	1	8N-2410	1	GASKET						
	15	1	0L-1143	44	BOLT (3/8-16X2.5-IN)						
	16	1	1W-1250	3	COVER						
	17	1	1W-1251	3	GASKET						
	18	1	1A-2029	24	BOLT (3/8-16X1.125-IN)						
	19	1	8N-2409	2	ADAPTER						
	20	1	7M-9909	2	SEAL-O-RING						
	21	1	1W-5421	1	CONNECTOR						
	22	1	1W-5728	2	SLEEVE						
	23	1	2B-0858	4	PLUG-PIPE						
	24	1	5M-6213	1	PLUG-PIPE (1/4-18-THD)						
	25	1	1A-9066	1	GASKET						
	26	1	5F-4899	2	BOLT (3/8-16X5.5-IN)						
	27	1	8N-9654	1	ADAPTER						
	28	1	1W-4955	44	SPACER (11.36X17.46X27-MM THK)						

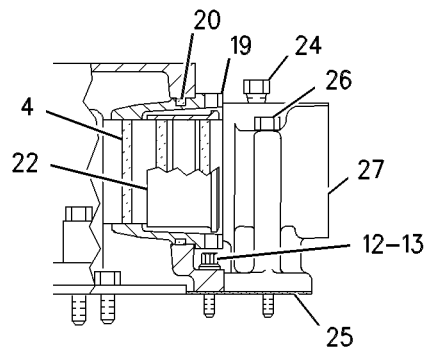
AIR INLET AND EXHAUST SYSTEM

1W-9463 AFTERCOOLER GP-WATER (contd.)

i00943496



VIEW OF
AREA A



VIEW OF
AREA B

GRAPHIC #1

<END>

g00518769

AIR INLET AND EXHAUST SYSTEM

1W-9466 AFTERCOOLER GP-WATER

S/N: 50Y658-1304

SMCS - 1063

i02429376

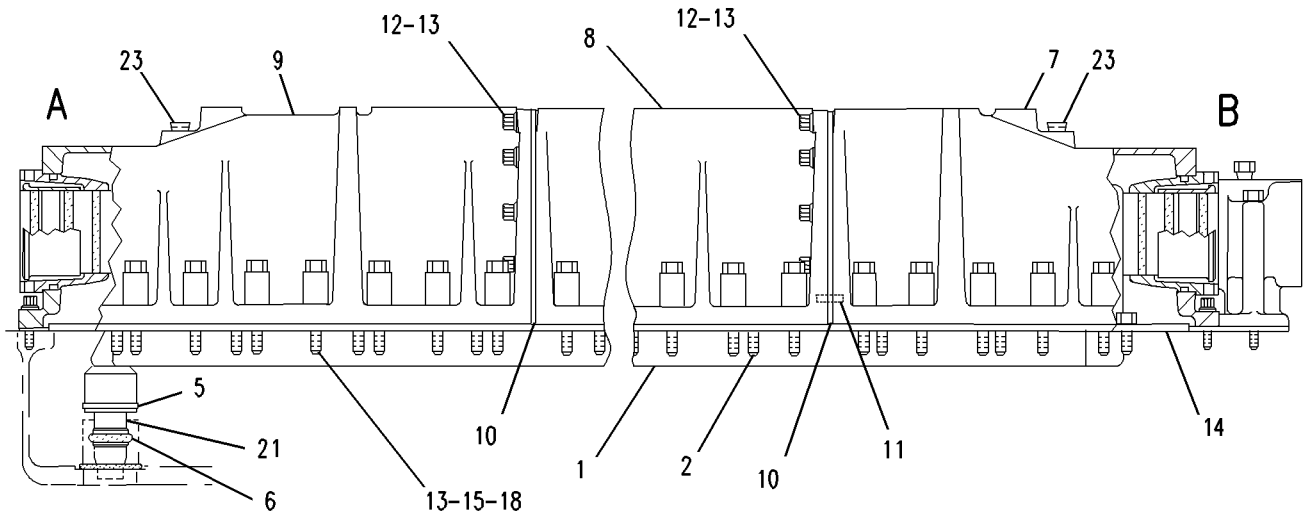
NOTE	REF NO	GRAPHIC REF	PART NUMBER	QTY	PART NAME						SEE PAGE
					1	2	3	4	5	6 (PRODUCT LEVEL)	
	1	1	7W-5455	1	CORE AS-AFTERCOOLER						
	2	1	031-4630	22	BOLT-LOCKING (5/16-18X0.75-IN)						
	3	1	230-1072	1	GASKET						
	4	1	6V-1454	6	SEAL-O-RING						
	5	1	1M-7913	1	RING-RETAINING						
	6	1	8C-5209	2	SEAL-O-RING						
	7	1	107-8758	1	HOUSING-FRONT						
	8	1	107-8759	1	HOUSING-INTERMEDIATE						
	9	1	107-8760	1	HOUSING-REAR						
	10	1	1W-1253	2	GASKET						
	11	1	4N-0684	4	DOWEL						
	12	1	1T-0720	20	BOLT-12 POINT HEAD (3/8-16X1.25-IN)						
C	13	1	5M-2894	64	WASHER-HARD (10.2X18.5X2.5-MM THK)						
	14	1	8N-2410	1	GASKET						
	15	1	0L-1143	44	BOLT (3/8-16X2.5-IN)						
	16	1	5F-4899	2	BOLT (3/8-16X5.5-IN)						
	17	1	8N-9654	1	ADAPTER						
	18	1	1W-4955	44	SPACER (11.36X17.46X27-MM THK)						
	19	1	8N-2409	2	ADAPTER						
	20	1	7M-9909	2	SEAL-O-RING						
	21	1	1W-5421	1	CONNECTOR						
	22	1	1W-5728	2	SLEEVE						
	23	1	8T-6762	4	PLUG-PIPE (1/2-14-THD)						
	24	1	8T-6765	1	PLUG-PIPE (1/4-18-THD)						

C - CHANGE FROM PREVIOUS TYPE

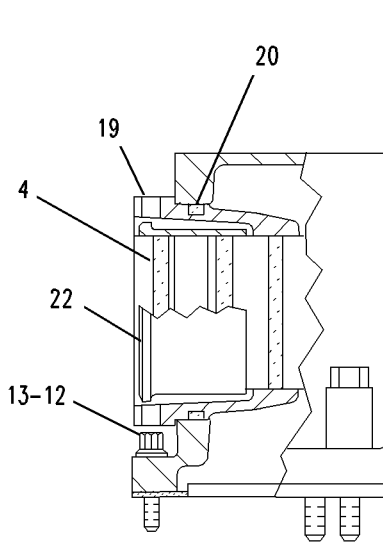
AIR INLET AND EXHAUST SYSTEM

1W-9466 AFTERCOOLER GP-WATER (contd.)

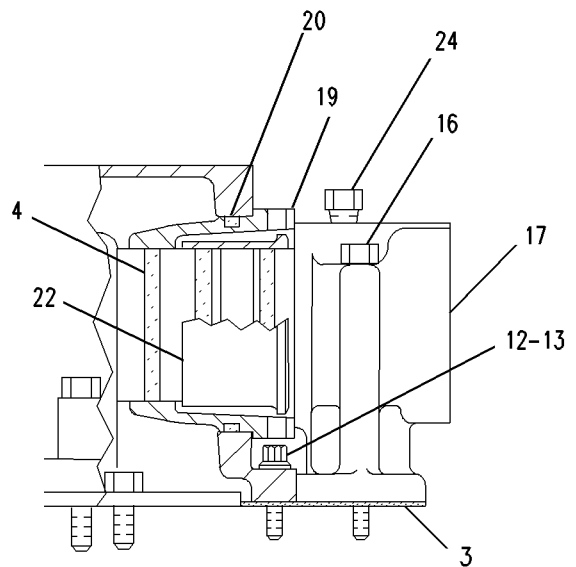
i02429376



RIGHT SIDE VIEW



VIEW OF AREA A



VIEW OF AREA B

GRAPHIC #1

<END>

g00782592

AIR INLET AND EXHAUST SYSTEM

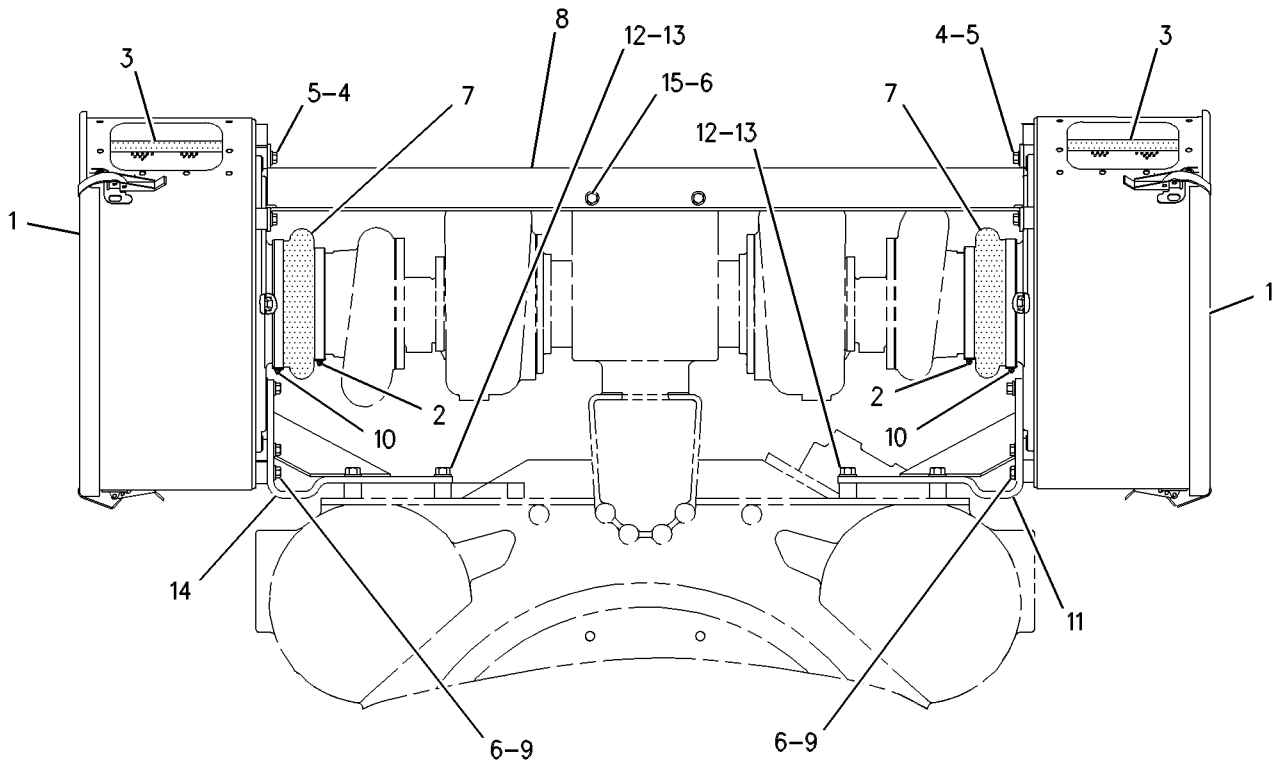
137-5554 AIR CLEANER GP AN ATTACHMENT

SMCS-1051, 1054

i03628913

NOTE	REF NO	GRAPHIC REF	PART NUMBER	QTY	PART NAME						SEE PAGE
					1	2	3	4	5	6 (PRODUCT LEVEL)	
Y	1	1	8N-3378	2	AIR CLEANER GP						812
	2	1	5P-3860	2	CLAMP-HOSE						
	3	1	8N-2555	2	FILTER-SOOT (AIR CLEANER)						
	4	1	3V-3308	4	WASHER-HARD (10.2X20.5X2.5-MM THK)						
	5	1	0L-1351	4	BOLT (3/8-16X0.875-IN)						
	6	1	5M-2894	8	WASHER-HARD (10.2X18.5X2.5-MM THK)						
	7	1	8N-5254	2	HOSE-REDUCER						
	8	1	137-5557	1	SUPPORT AS						
	9	1	1A-2029	6	BOLT (3/8-16X1.125-IN)						
	10	1	5P-4869	2	CLAMP-HOSE						
	11	1	8N-8880	1	BRACKET AS (RH)						
	12	1	6H-1717	6	BOLT (1/2-13X1.125-IN)						
	13	1	5P-8245	6	WASHER-HARD (13.5X25.5X3-MM THK)						
	14	1	8N-8879	1	BRACKET AS (LH)						
	15	1	0S-1571	2	BOLT (3/8-16X1.75-IN)						

Y - SEPARATE ILLUSTRATION



REAR VIEW

GRAPHIC #1

<END>

g00297224

AIR INLET AND EXHAUST SYSTEM

199-5598 AIR CLEANER GP BLACK POWDER COAT FOR USE WITH SPECIAL APPEARANCE PACKAGE AN ATTACHMENT

SMCS-1051, 1054

i02376561

NOTE	PART NUMBER	QTY	PART NAME						SEE
			1	2	3	4	5	6	PAGE
Y	8N-3378	1	AIR CLEANER GP						812

Y - SEPARATE ILLUSTRATION

<END>

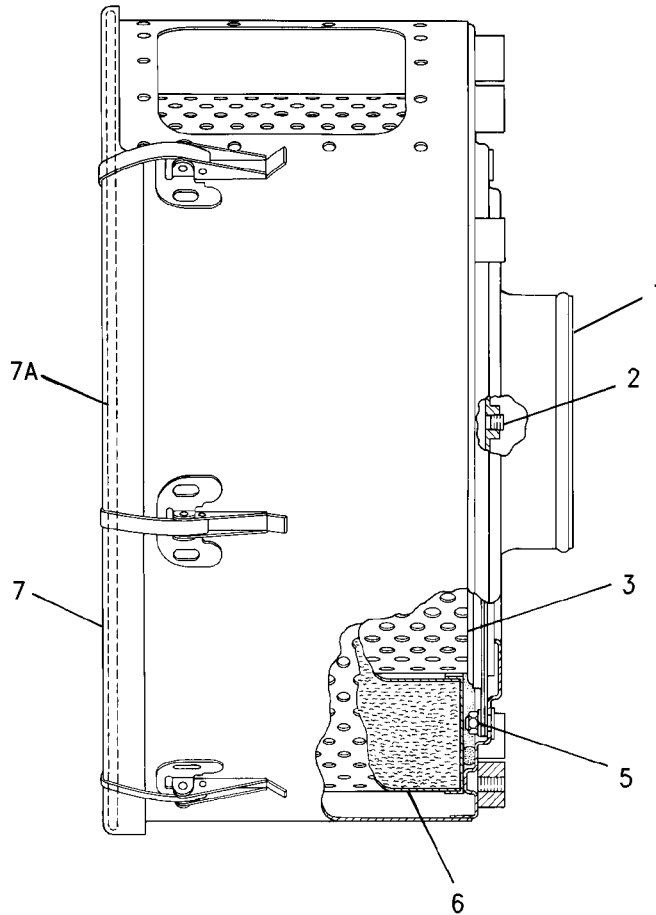
AIR INLET AND EXHAUST SYSTEM

5N-7822 AIR CLEANER GP AN ATTACHMENT

SMCS-1051, 1054

i07362395

NOTE	REF NO	GRAPHIC REF	PART NUMBER	QTY	PART NAME						SEE PAGE
					1	2	3	4	5	6 (PRODUCT LEVEL)	
	1	1	8N-2562	1	HOUSING AS-AIR CLEANER						
	2	1	8T-6757	2	PLUG-PIPE						
	3	1	8N-2556	1	FILTER ELEMENT AS-AIR (SECONDARY)						
	5	1	9S-8752	8	NUT-FULL (3/8-16-THD)						
	6	1	8N-6309	1	FILTER ELEMENT AS-AIR (PRIMARY)						
	7	1	8N-6534	1	COVER AS						
	7A	1	8N-2559	1	GASKET						



GRAPHIC #1

<END>

g00891410

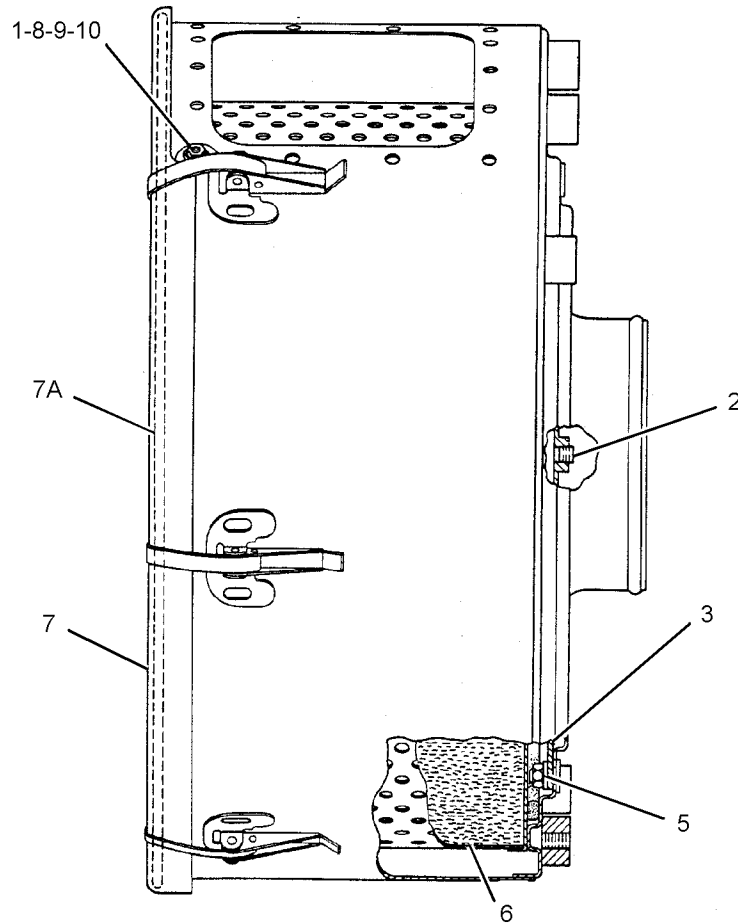
AIR INLET AND EXHAUST SYSTEM

8N-3378 AIR CLEANER GP PART OF 137-5554, 199-5598, 8N-9303 AIR CLEANER GP AN ATTACHMENT

SMCS-1051, 1054

i03969949

NOTE	REF NO	GRAPHIC REF	PART NUMBER	QTY	PART NAME						SEE PAGE
					1	2	3	4	5	6 (PRODUCT LEVEL)	
	1	1	5S-0003	2	NUT (5/16-18-THD)						
	2	1	8T-6757	2	PLUG-PIPE						
	3	1	7W-0495	1	GUIDE AS						
	5	1	2K-4973	4	LOCKNUT (3/8-16-THD)						
	6	1	8N-6309	1	FILTER ELEMENT AS-AIR (PRIMARY)						
	7	1	8N-6534	1	COVER AS						
	7A	1	8N-2559	1	GASKET						
	8	1	1B-7182	2	BOLT (5/16-18X1.25-IN)						
	9	1	7K-3215	2	BOSS (0.413X1X0.630-IN THK)						
	10	1	9M-1974	2	WASHER-HARD (8.8X16X2-MM THK)						



GRAPHIC #1

<END>

g02162187

AIR INLET AND EXHAUST SYSTEM

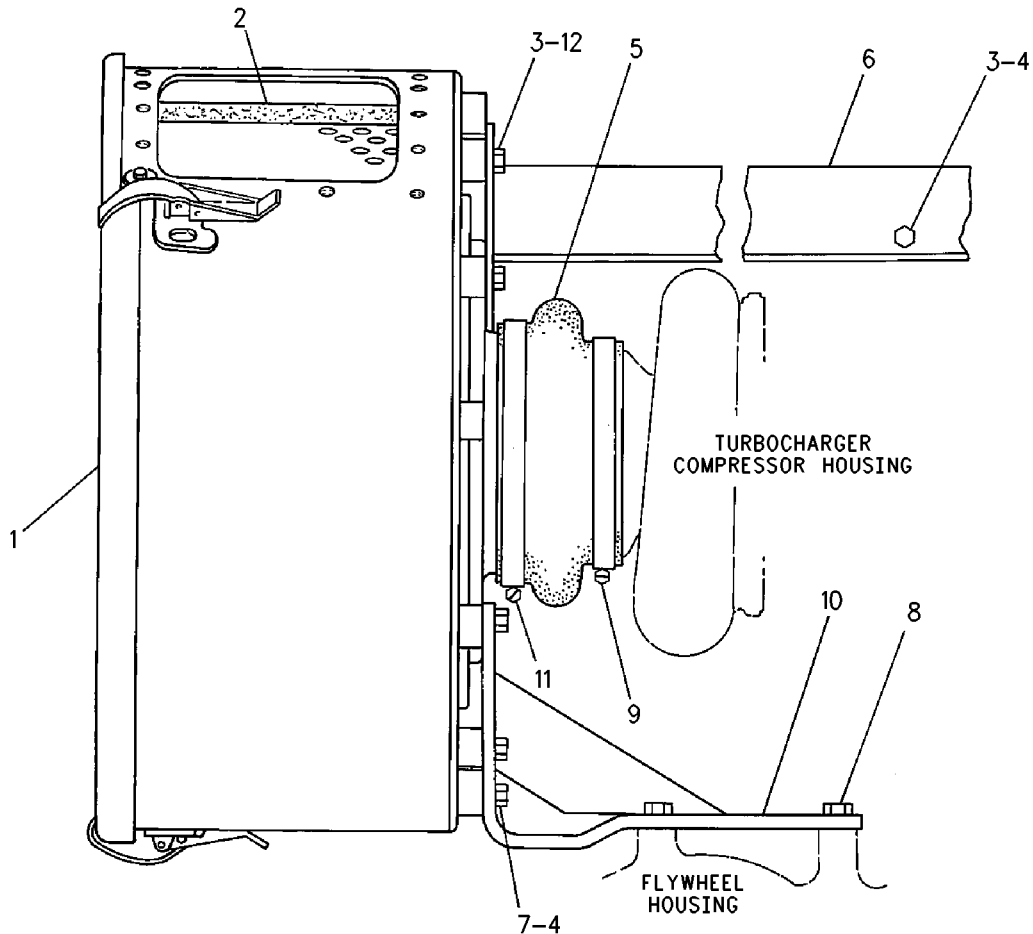
8N-9303 AIR CLEANER GP AN ATTACHMENT

SMCS-1051, 1054

i01977616

NOTE	REF NO	GRAPHIC REF	PART NUMBER	QTY	PART NAME						SEE PAGE
					1	2	3	4	5	6 (PRODUCT LEVEL)	
Y	1	1	8N-3378	2	AIR CLEANER GP						812
	2	1	8N-2555	2	FILTER-SOOT (AIR CLEANER) (AIR CLEANER)						
	3	1	0L-1351	6	BOLT (3/8-16X0.875-IN)						
	4	1	5M-2894	8	WASHER-HARD (10.2X18.5X2.5-MM THK)						
	5	1	8N-5254	2	HOSE-REDUCER						
	6	1	7W-5409	1	SUPPORT-AIR CLEANER						
	7	1	1A-2029	6	BOLT (3/8-16X1.125-IN)						
	8	1	6H-1717	6	BOLT (1/2-13X1.125-IN)						
		1	5P-8245	6	WASHER-HARD (13.5X25.5X3-MM THK)						
	9	1	5P-3860	2	CLAMP-HOSE						
	10	1	8N-8879	1	BRACKET AS (LH)						
		1	8N-8880	1	BRACKET AS (RH)						
	11	1	5P-4869	2	CLAMP-HOSE						
	12	1	3V-3308	4	WASHER-HARD (10.2X20.5X2.5-MM THK)						

Y - SEPARATE ILLUSTRATION



REAR VIEW

<END>

GRAPHIC #1

g00994987

AIR INLET AND EXHAUST SYSTEM

100-4095 CARTRIDGE GP-TURBOCHARGER*R

S/N: 50Y1175-1304

PART OF 102-0291, 102-0294, 102-0296 TURBOCHARGER GP
ALSO AN ATTACHMENT

SMCS-1053

i07399030

NOTE	PART NUMBER	QTY	PART NAME 1 2 3 4 5 6 (PRODUCT LEVEL)	SEE PAGE
J	1N-3712	1	BEARING-THRUST	
	9B-7237	4	BOLT (3/8-16X1.25-IN)	
	1N-3365	1	COLLAR-THRUST	
	4W-1224	1	HOUSING AS-BEARING	
	1N-3593	1	KIT-BEARING (STANDARD)	
	108-9342	1	KIT-CARTRIDGE (TURBOCHARGER)	
J	1N-3411	1	LOCKNUT-TURBOCHARGER (7/16-20-THD)	
	109-3481	1	PLATE AS-BACKING	
J	5P-7234	3	RING-RETAINING	
J	1N-3557	1	RING-SEAL	
J	9M-8919	2	RING-SEAL	
J	127-2378	1	SEAL-RING	
	4W-1223	1	SHAFT AS-TURBINE	
	190-0388	1	SHROUD-WHEEL	
	1N-3505	1	SPACER-THRUST	
	9Y-1493	1	WHEEL-COMPRESSOR	
			AVAILABLE REPAIR KIT(S):	
	1N-3593	1	KIT-BEARING (STANDARD)	
	108-9342	1	KIT-CARTRIDGE (TURBOCHARGER)	
			(INCLUDES PARTS MARKED J)	
J - KIT MARKED J SERVICES PART(S) MARKED J				
<END>				

AIR INLET AND EXHAUST SYSTEM

118-2988 CARTRIDGE GP-TURBOCHARGER*R

S/N: 66Z190-578

PART OF 134-5402, 135-5101 TURBOCHARGER GP
AN ATTACHMENT

SMCS-1053

i06268900

NOTE	PART NUMBER	QTY	PART NAME 1 2 3 4 5 6 (PRODUCT LEVEL)	SEE PAGE
	239-5894	2	BEARING-JOURNAL	
	461-3754	2	BEARING-JOURNAL (0.51-MM OS)	
	461-3757	2	BEARING-JOURNAL (0.25-MM US)	
	461-3762	2	BEARING-JOURNAL (0.25-MM OS, 0.25-MM US)	
	461-3767	2	BEARING-JOURNAL (0.25-MM OS)	
	461-3778	2	BEARING-JOURNAL (0.25-MM US, 0.51-MM OS)	
	211-2261	1	BEARING-THRUST	
M	4P-3818	3	BOLT (M4X0.7X10-MM)	
M	4P-3819	4	BOLT (M6X1X22-MM)	
	223-4291	1	COLLAR-THRUST	
	9M-8915	3	RING-RETAINING	
	223-4288	2	SEAL RING-PISTON	
	223-4289	1	SEAL RING-PISTON	
	223-4287	1	SEAL-RING	
	461-3792	3	WASHER (WEAR)	

M - METRIC PART

<END>

AIR INLET AND EXHAUST SYSTEM

125-2061 CARTRIDGE GP-TURBOCHARGER

S/N: 50Y647-1304

PART OF 119-4890 TURBOCHARGER GP

SMCS-1053

i02425448

NOTE	REF NO	GRAPHIC REF	PART NUMBER	QTY	PART NAME						SEE PAGE
					1	2	3	4	5	6 (PRODUCT LEVEL)	
J	2	1	2W-1940	1	WASHER-RETAINING						
	3	1	6A-9204	3	LOCKWASHER						
	5	1	7E-0359	1	SHROUD (HEAT)						
J	6	1	7E-0360	1	BEARING (THRUST)						
	7	1	9Y-1676	1	RING (CARRIER SEAL)						
	8	1	9Y-1677	1	COVER (THRUST BEARING)						
J	9	1	9Y-1679	2	BEARING (JOURNAL)						
	10	1	9Y-1683	1	RING (THRUST)						
	11	1	9Y-1685	1	RING (FLINGER, THRUST)						
	12	1	9Y-1687	1	WHEEL						
	13	1	9Y-1690	1	RETAINER (THRUST BEARING)						
JM	14	1	9Y-2051	2	BOLT AS						
J	15	1	9Y-2052	1	RING (SEAL)						
J	16	1	9Y-2053	1	RING (SEAL)						
	17	1	9Y-3338	1	SHIELD (COMP SEAL)						
	18	1	133-3954	1	HOUSING-BEARING (WATERCOOLED)						
	19	1	185-0091	1	SHAFT AS						
JM	20	1	2W-1268	1	LOCKNUT (M14X1.5-THD)						
	21	1	3J-1577	1	RING-RETAINING (INTERNAL)						
M	22	1	6V-5683	3	BOLT (M6X1X16-MM)						
J	23	1	6V-6353	1	SEAL-O-RING						
	24	1	7W-6534	1	PLUG-PIPE						
	25	1	7X-0794	2	PIN (ROLL)						

AVAILABLE REPAIR KIT(S) :

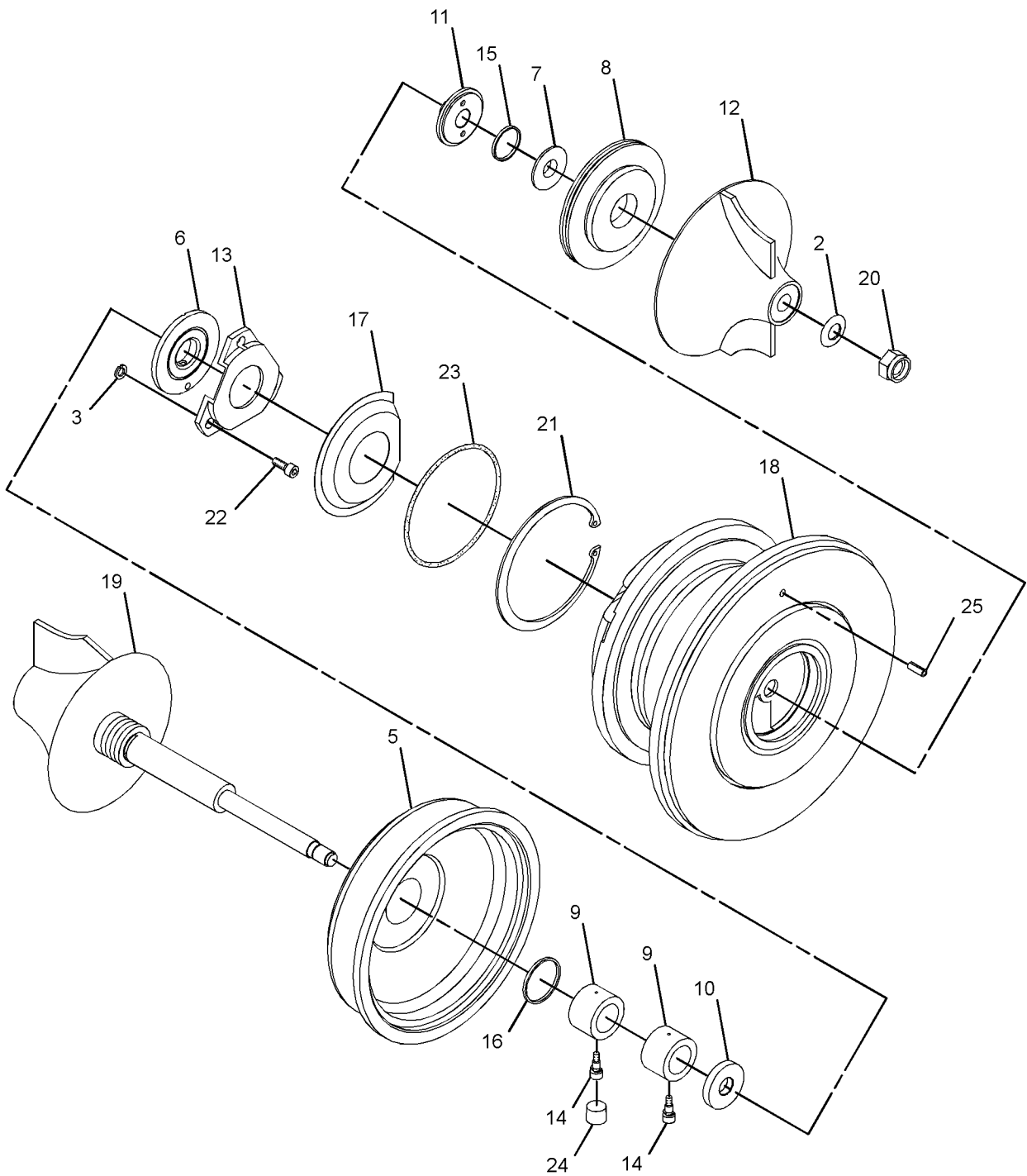
J	7E-2747	1	KIT-REPAIR
---	----------------	---	------------

J - KIT MARKED J SERVICES PART(S) MARKED J
M - METRIC PART

AIR INLET AND EXHAUST SYSTEM

125-2061 CARTRIDGE GP-TURBOCHARGER (contd.)

i02425448



GRAPHIC #1

<END>

g01254505

AIR INLET AND EXHAUST SYSTEM

1W-1653 CARTRIDGE GP-TURBOCHARGER*R

S/N: 66Z190-206

PART OF 1W-4095, 1W-4096 TURBOCHARGER GP

SMCS - 1053

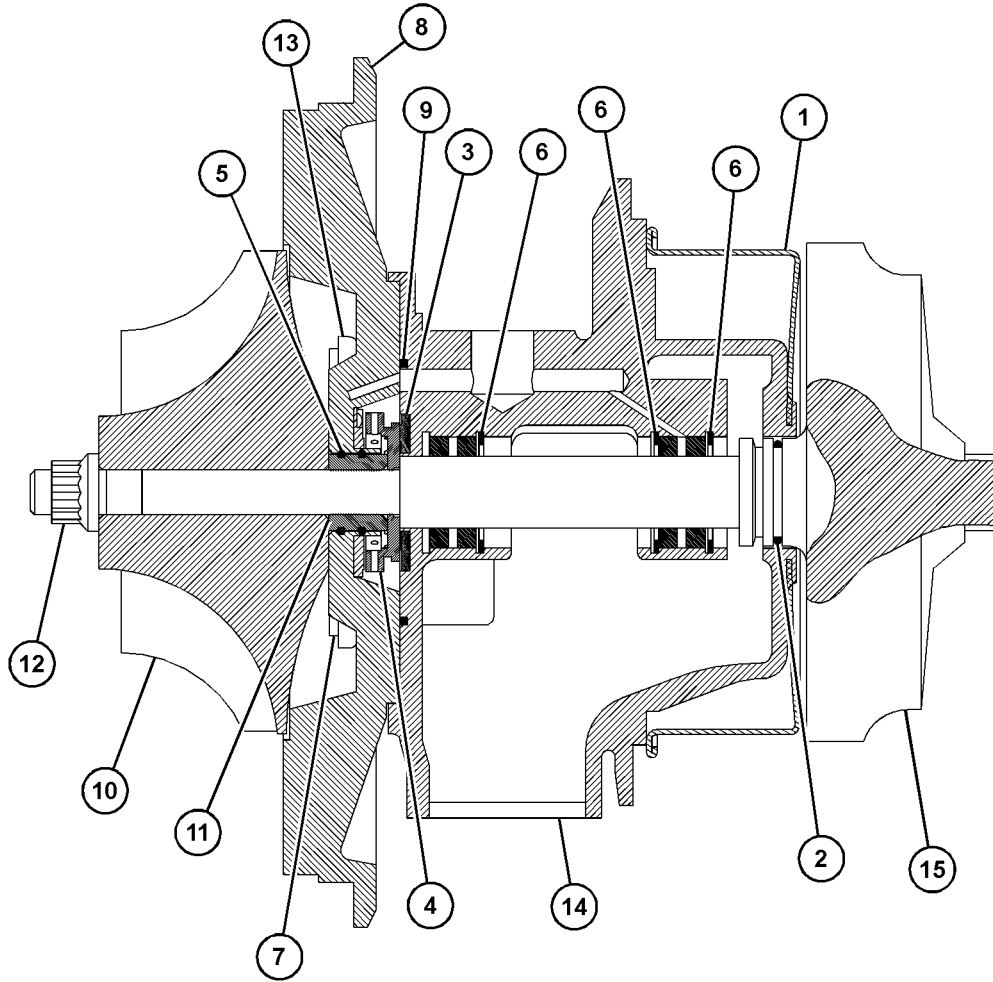
i07384585

NOTE	REF NO	GRAPHIC REF	PART NUMBER	QTY	PART NAME						SEE PAGE
					1	2	3	4	5	6 (PRODUCT LEVEL)	
	1	1	9N-3701	1	SHROUD						
J	2	1	7N-3759	1	RING-PISTON						
J	3	1	6N-5004	1	BEARING-THRUST						
	4	1	9M-8911	1	COLLAR-THRUST						
J	5	1	9M-8919	2	RING-SEAL						
J	6	1	9M-8915	3	RING-RETAINING						
	7	1	0S-1616	4	BOLT (1/4-20X1-IN)						
	8	1	6N-7962	1	PLATE AS-BACKING						
		1	7W-0130	1	BEARING-THRUST						
		1	7W-0131	3	STUD-DRIVE						
J	9	1	1P-1120	1	RING-SEAL						
	10	1	129-4863	1	WHEEL-COMPRESSOR						
	11	1	9N-2046	1	SPACER-THRUST						
J	12	1	1S-1770	1	LOCKNUT-TURBOCHARGER						
J	13	1	9N-2036	4	PLATE-LOCK						
	14	1	9N-2035	1	HOUSING AS-CENTER						
		1	4M-6646	2	PIN-GROOVED						
		1	7W-2368	1	RING-SEAL						
	15	1	9N-2043	1	WHEEL & SHAFT AS						
					AVAILABLE REPAIR KIT(S):						
			9N-2041	1	KIT-BEARING						
					(INCLUDES TWO BEARINGS)						
J			2W-0715	1	KIT-CARTRIDGE (TURBOCHARGER)						
					(INCLUDES SEAL RINGS, RETAINER RINGS, LOCK PLATES, LOCK-NUTS, & BEARING-THRUST)						
J - KIT MARKED J INCLUDES PART(S) MARKED J											

AIR INLET AND EXHAUST SYSTEM

1W-1653 CARTRIDGE GP-TURBOCHARGER (contd.)

i07384585



GRAPHIC #1

<END>

g06302832

AIR INLET AND EXHAUST SYSTEM

4W-1225 CARTRIDGE GP-TURBOCHARGER*R

S/N: 50Y647

PART OF 4W-1232, 4W-1233 TURBOCHARGER GP
ALSO AN ATTACHMENT

SMCS-1053

i03761782

NOTE	REF NO	GRAPHIC REF	PART NUMBER	QTY	PART NAME						SEE PAGE
					1	2	3	4	5	6 (PRODUCT LEVEL)	
J	1	1	1N-3411	1	LOCKNUT - TURBOCHARGER (7/16-20-THD)						
	2	1	1N-3505	1	SPACER-THRUST						
J	3	1	9M-8919	2	RING-SEAL						
	4	1	1N-3383	1	PLATE AS-BACKING						
J	5	1	1N-3557	1	RING-SEAL						
	6	1	4W-1224	1	HOUSING AS-BEARING						
		1	4M-6646	2	PIN-GROOVED						
J	7	1	4W-1222	1	RING-PISTON						
	8	1	4W-1329	1	SHROUD						
	9	1	4W-1223	1	SHAFT AS-TURBINE						
J	10	1	5P-7234	3	RING-RETAINING						
J	11	1	1N-3712	1	BEARING-THRUST						
	12	1	1N-3365	1	COLLAR-THRUST						
	13	1	2J-3118	4	BOLT-LOCKING (3/8-16X1.25-IN)						
	14	1	1N-3562	1	WHEEL-COMPRESSOR						
					AVAILABLE REPAIR KIT(S):						
			1N-3593	1	KIT-BEARING (STANDARD) (STANDARD)						
AB			4W-4832	1	KIT-BEARING (0.25-MM OS)						
AB			4W-4833	1	KIT-BEARING (0.25-MM US)						
AB			4W-4834	1	KIT-BEARING (0.25-MM OS, 0.25-MM US)						
J			7W-4874	1	KIT-CARTRIDGE (TURBOCHARGER)						

A - NOT PART OF THIS GROUP

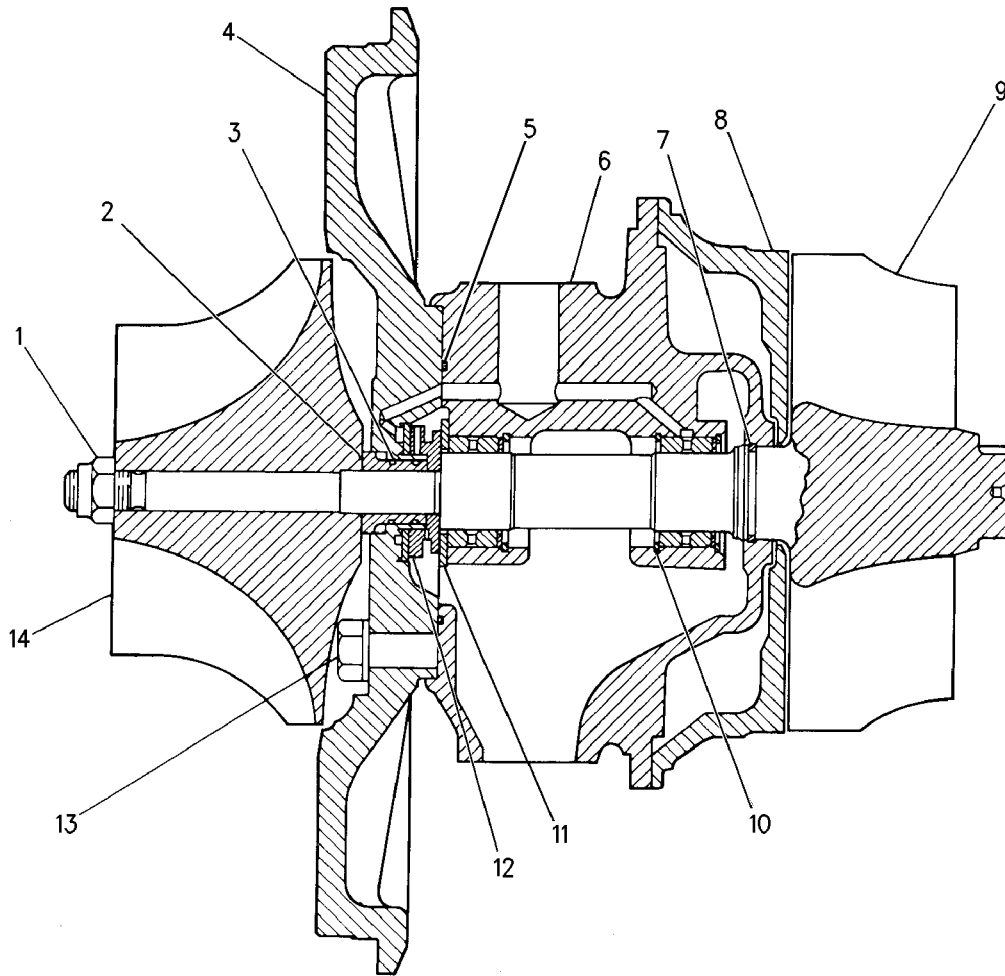
B - USE AS REQUIRED

J - KIT MARKED J INCLUDES PART(S) MARKED J

AIR INLET AND EXHAUST SYSTEM

4W-1225 CARTRIDGE GP-TURBOCHARGER (contd.)

103761782



GRAPHIC #1

<END>

g00705359

AIR INLET AND EXHAUST SYSTEM

528-8391 CARTRIDGE GP-TURBOCHARGER

S/N: 50Y647-1304

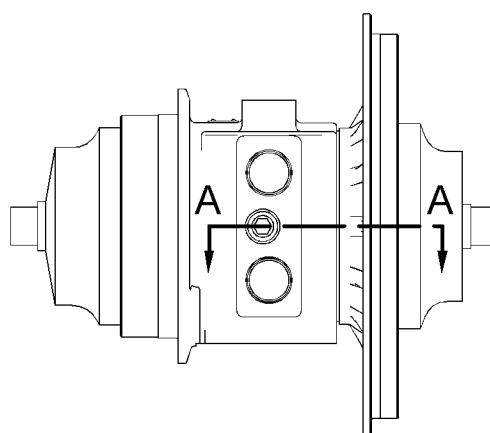
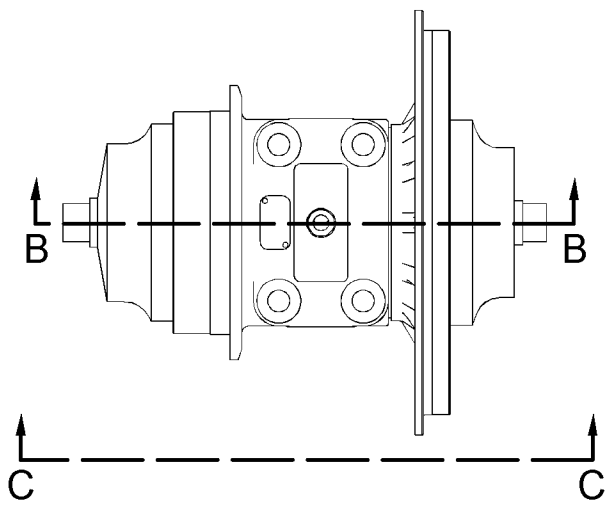
PART OF 528-8390 TURBOCHARGER GP

SMCS-1053

i07436302

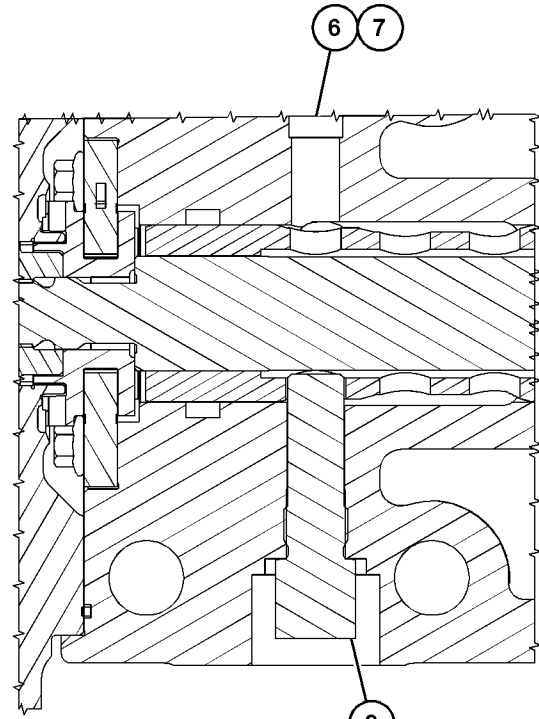
NOTE	REF NO	GRAPHIC REF	PART NUMBER	QTY	PART NAME						SEE PAGE
					1	2	3	4	5	6	
	1	2	519-5593	1	BEARING-JOURNAL						
	2	1	481-8103	1	PIN						
	3	2	190-0390	1	BEARING-THRUST						
	4	2	326-6485	4	BOLT-FLANGE HEAD (3/8-16X1.25-IN)						
M	5	2	203-9203	3	SCREW (M5X0.8-THD)						
	6	1	332-8945	1	PLUG (M10X1X8-MM)						
	7	1	332-8946	1	WASHER (10.4X13.3X1.2-MM THK)						
	8	2	461-3707	1	SEAL-RING						
	9	2	461-3716	1	SEAL RING-PISTON						
	10	2	461-3724	1	SEAL RING-PISTON						
	11	2	461-3744	1	COLLAR-THRUST						

M - METRIC PART



VIEW C-C

REFER TO ALL ILLUSTRATIONS OF THIS GROUP FOR AUXILIARY VIEWS



SECTION A-A

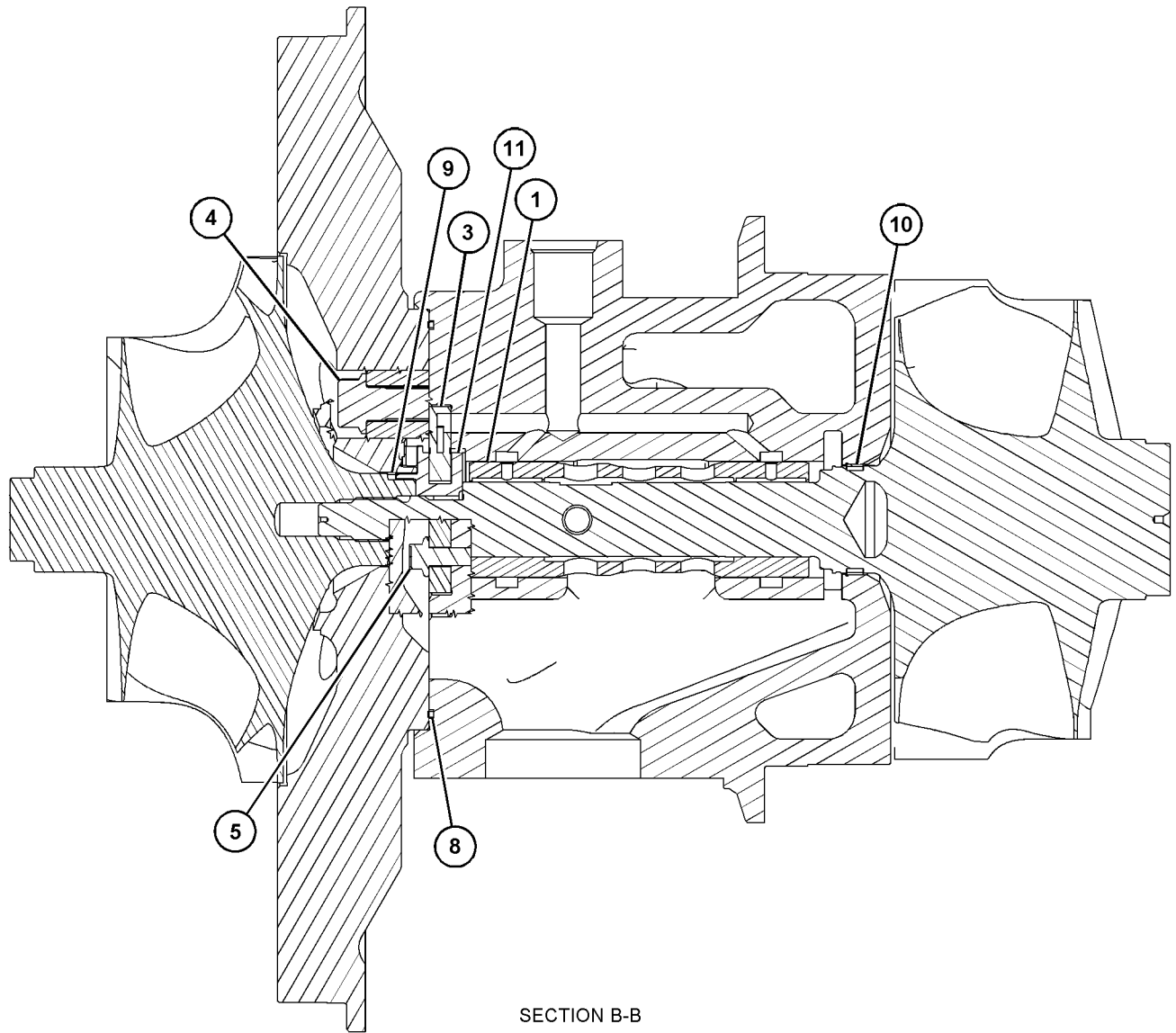
GRAPHIC #1

g06359376

AIR INLET AND EXHAUST SYSTEM

528-8391 CARTRIDGE GP-TURBOCHARGER (contd.)

107436302



GRAPHIC #2

<END>

g06359377

AIR INLET AND EXHAUST SYSTEM

6N-7960 CARTRIDGE GP-TURBOCHARGER*R

S/N: 66Z190-578

PART OF 7W-8010, 7W-8011 TURBOCHARGER GP
ALSO AN ATTACHMENT

SMCS-1053

i07459600

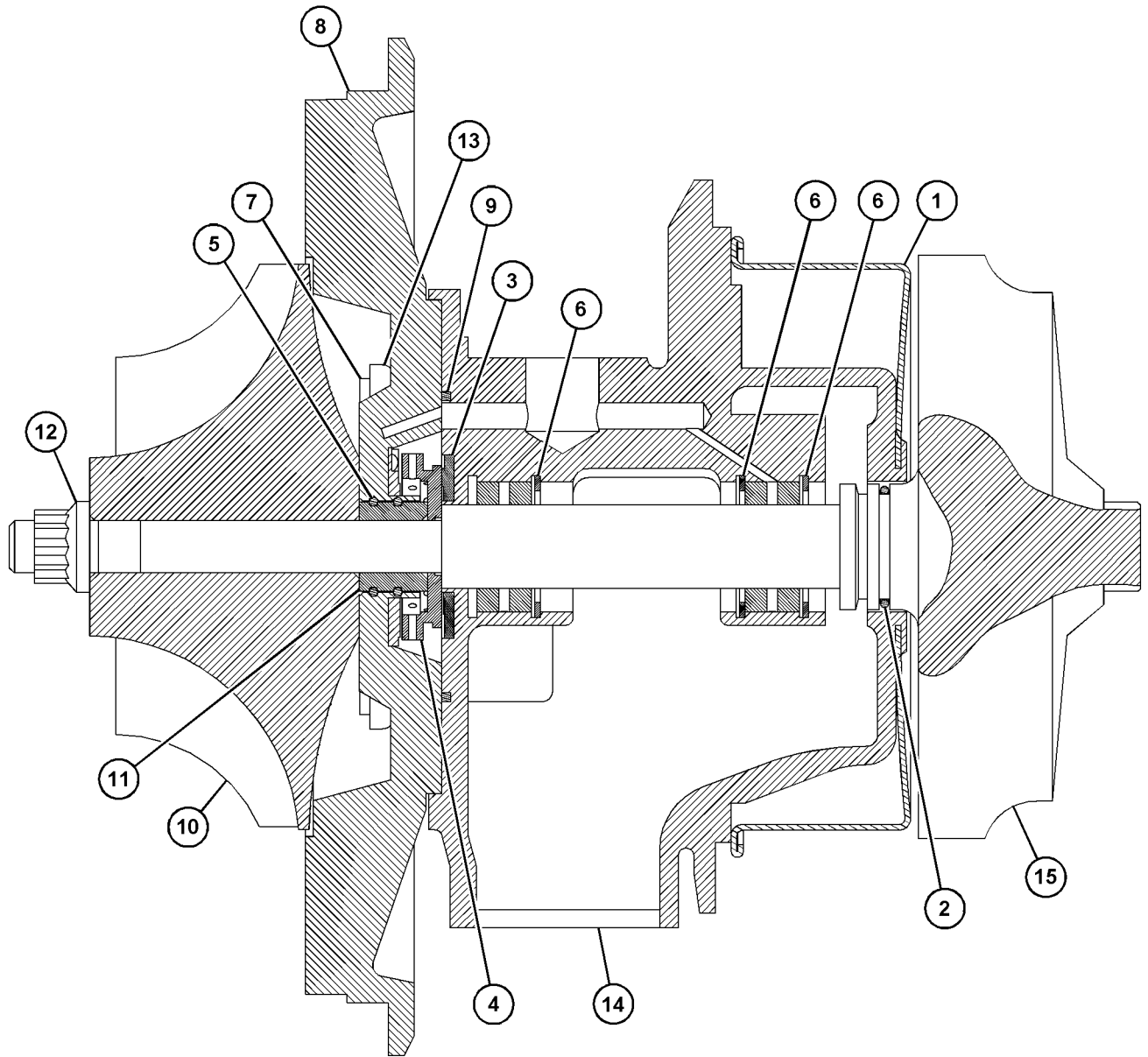
NOTE	REF NO	GRAPHIC REF	PART NUMBER	QTY	PART NAME						SEE PAGE
					1	2	3	4	5	6	
	1	1	9Y-1936	1	SHROUD						
J	2	1	7N-3759	1	RING-PISTON						
J	3	1	6N-5004	1	BEARING-THRUST						
	4	1	9M-8911	1	COLLAR-THRUST						
J	5	1	9M-8919	2	RING-SEAL						
J	6	1	9M-8915	3	RING-RETAINING						
	7	1	0S-1616	4	BOLT (1/4-20X1-IN)						
	8	1	6N-7962	1	PLATE AS-BACKING						
		1	7W-0130	1	BEARING-THRUST						
		1	7W-0131	3	STUD-DRIVE						
J	9	1	1P-1120	1	RING-SEAL						
	10	1	4P-3429	1	WHEEL-COMPRESSOR						
	11	1	9N-2046	1	SPACER-THRUST						
J	12	1	1S-1770	1	LOCKNUT-TURBOCHARGER						
J	13	1	9N-2036	4	PLATE-LOCK						
	14	1	9N-2035	1	HOUSING AS-CENTER						
		1	4M-6646	2	PIN-GROOVED						
		1	7W-2368	1	RING-SEAL						
	15	1	9N-2043	1	WHEEL & SHAFT AS						
					AVAILABLE REPAIR KIT(S):						
			9N-2041	1	KIT-BEARING						
					(INCLUDES BEARINGS & WASHERS)						
AB			7C-7446		KIT-BEARING (0.51-MM OS)						
					(INCLUDES BEARINGS & WASHERS)						
AB			7C-7447		KIT-BEARING (0.51-MM OS, 0.25-MM US)						
					(INCLUDES BEARINGS & WASHERS)						
AB			7N-3194		KIT-BEARING (0.25-MM OS, 0.25-MM US)						
					(INCLUDES BEARINGS & WASHERS)						
AB			8N-4157		KIT-BEARING (0.25-MM OS)						
					(INCLUDES BEARINGS & WASHERS)						
AB			8N-4160		KIT-BEARING (0.25-MM US)						
					(INCLUDES BEARINGS & WASHERS)						
J			2W-0715	1	KIT-CARTRIDGE (TURBOCHARGER)						
					(INCLUDES SEAL RINGS, RETAINER RINGS, LOCK PLATES, LOCKNUTS, & THRUST BEARING)						

A - NOT PART OF THIS GROUP
 B - USE AS REQUIRED
 J - KIT MARKED J SERVICES PART(S) MARKED J

AIR INLET AND EXHAUST SYSTEM

6N-7960 CARTRIDGE GP-TURBOCHARGER (contd.)

i07459600



GRAPHIC #1

<END>

g06359433

AIR INLET AND EXHAUST SYSTEM

7W-3570 CARTRIDGE GP-TURBOCHARGER*R

S/N: 50Y647-1174

PART OF 7C-0580, 7W-3484, 7W-9564 TURBOCHARGER GP
ALSO AN ATTACHMENT

SMCS-1053

i02390836

NOTE	REF NO	GRAPHIC REF	PART NUMBER	QTY	PART NAME						SEE PAGE
					1	2	3	4	5	6 (PRODUCT LEVEL)	
J	1	1	1N-3411	1	LOCKNUT-TURBOCHARGER (7/16-20-THD)						
	2	1	1N-3505	1	SPACER-THRUST						
J	3	1	9M-8919	2	RING-SEAL						
	4	1	7W-2300	1	PLATE AS-BACKING						
		1	7W-0130	1	BEARING-THRUST						
		1	7W-0131	1	STUD-DRIVE						
J	5	1	1N-3557	1	RING-SEAL						
	6	1	4W-1224	1	HOUSING AS-BEARING						
		1	4M-6646	2	PIN-GROOVED						
J	7	1	4W-1222	1	RING-PISTON						
	8	1	4W-1329	1	SHROUD						
	9	1	4W-1223	1	SHAFT AS-TURBINE						
	10	1	9Y-1493	1	WHEEL-COMPRESSOR						
J	11	1	1N-3712	1	BEARING-THRUST						
	12	1	1N-3365	1	COLLAR-THRUST						
C	13	1	2J-3118	4	BOLT-LOCKING (3/8-16X1.25-IN)						
J	14	1	5P-7234	3	RING-RETAINING						
					AVAILABLE REPAIR KIT(S):						
			1N-3593	1	KIT-BEARING (STANDARD)						
CJ			7W-4874	1	KIT-CARTRIDGE (TURBOCHARGER)						

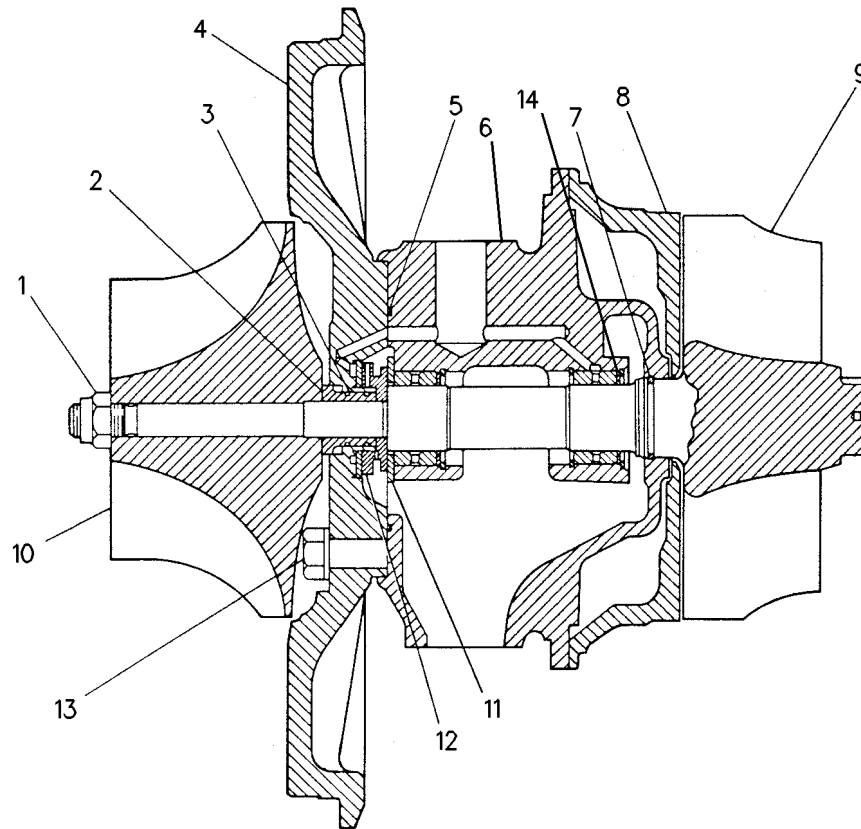
C - CHANGE FROM PREVIOUS TYPE

J - KIT MARKED J INCLUDES PART(S) MARKED J

AIR INLET AND EXHAUST SYSTEM

7W-3570 CARTRIDGE GP-TURBOCHARGER (contd.)

102390836



GRAPHIC #1

<END>

g00230526

AIR INLET AND EXHAUST SYSTEM

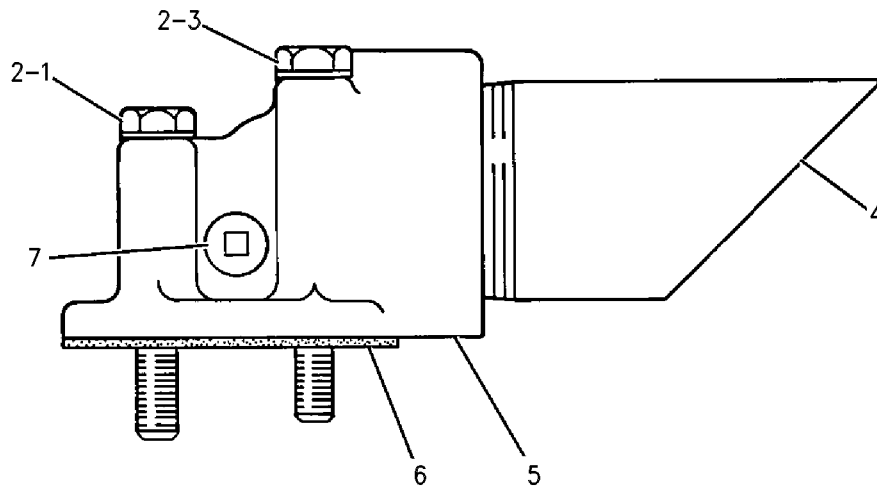
8N-8487 ELBOW GP-EXHAUST

FOR USE WITH AIR STARTING MOTOR
AN ATTACHMENT

SMCS-1061

i07109197

NOTE	REF NO	GRAPHIC REF	PART NUMBER	QTY	PART NAME						SEE PAGE
					1	2	3	4	5	6	
	1	1	1D-4566	2	BOLT (1/2-13X3.5-IN)						
	2	1	5P-8245	4	WASHER-HARD (13.5X25.5X3-MM THK)						
	3	1	1D-4569	2	BOLT (1/2-13X4.25-IN)						
	4	1	6N-4857	1	FITTING						
	5	1	8N-8447	1	ELBOW						
	6	1	8N-8452	1	GASKET						
	7	1	8T-6762	1	PLUG-PIPE (1/2-14-THD)						



GRAPHIC #1

<END>

g00625351

AIR INLET AND EXHAUST SYSTEM

5L - 6954 ELBOW - EXHAUST

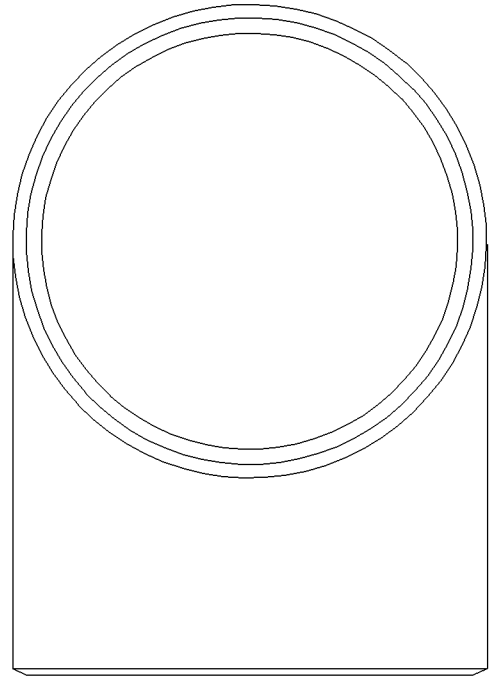
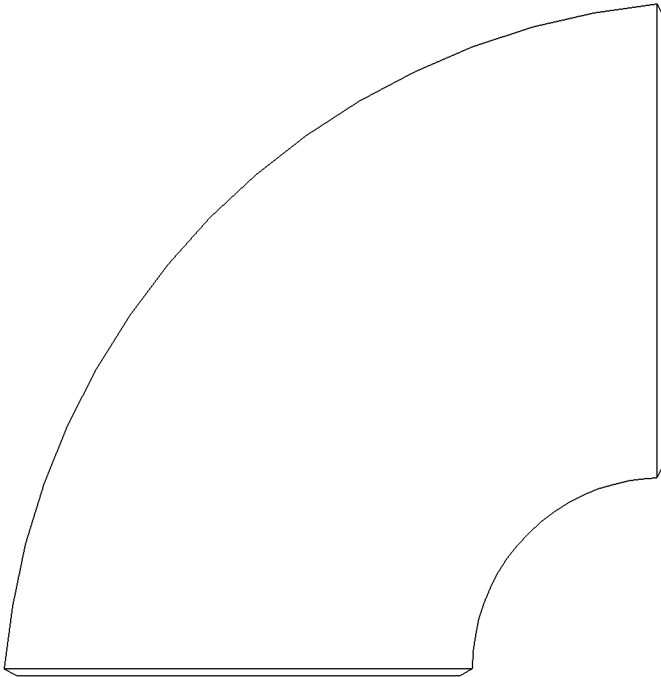
12-IN
AN ATTACHMENT

SMCS - 1061

i01213269

NOTE	REF NO	GRAPHIC REF	PART NUMBER	QTY	PART NAME	SEE PAGE
					1 2 3 4 5 6 (PRODUCT LEVEL)	

(NO SERVICED PARTS)



GRAPHIC #1

<END>

g00648631

AIR INLET AND EXHAUST SYSTEM

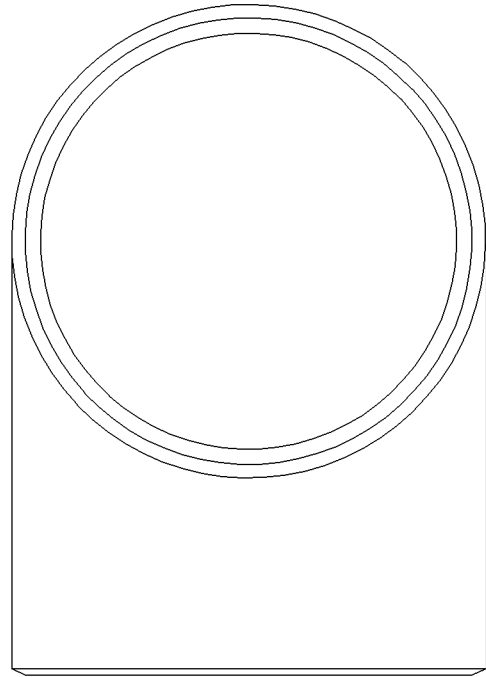
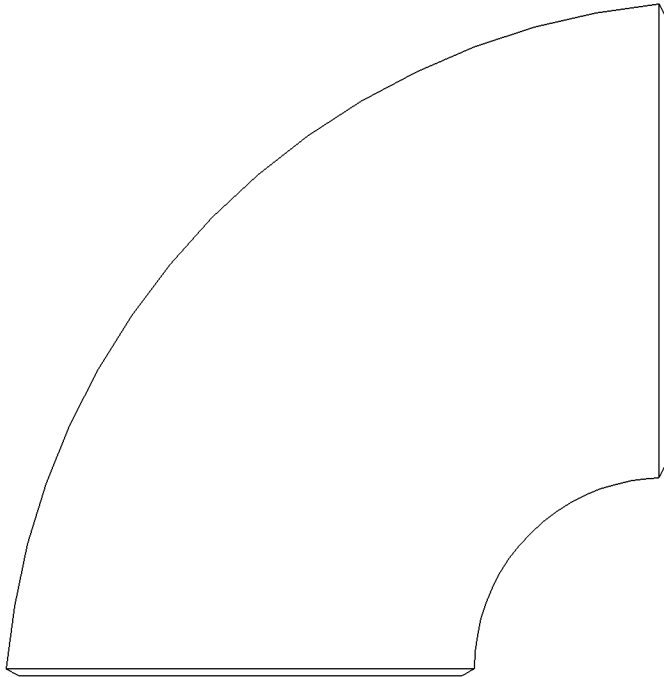
5N-2458 ELBOW-EXHAUST

10-IN
AN ATTACHMENT

SMCS-1061

i02729077

NOTE	REF NO	GRAPHIC REF	PART NUMBER	QTY	PART NAME						SEE PAGE
					1	2	3	4	5	6 (PRODUCT LEVEL)	
(NO SERVICED PARTS)											



GRAPHIC #1

<END>

g00648631

AIR INLET AND EXHAUST SYSTEM

1W-9487 FITTING GP-EXHAUST

S/N: 50Y647-1304

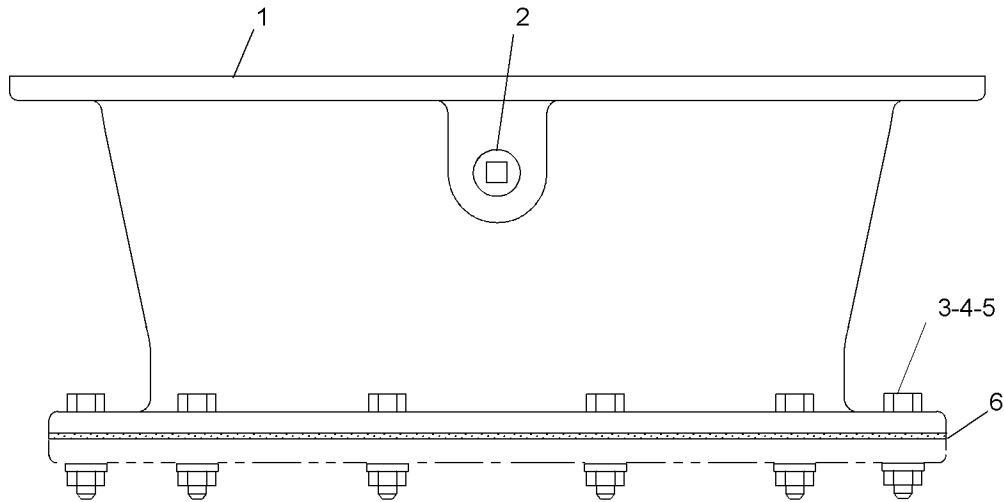
355.6-MM

AN ATTACHMENT

SMCS-1061

i02428050

NOTE	REF NO	GRAPHIC REF	PART NUMBER	QTY	PART NAME						SEE PAGE
					1	2	3	4	5	6 (PRODUCT LEVEL)	
	1	1	1W-7996	1	ADAPTER						
	2	1	8T-6762	1	PLUG-PIPE (1/2-14-THD)						
	3	1	0S-1591	12	BOLT (3/8-16X1.5-IN)						
	4	1	9S-8752	12	NUT-FULL (3/8-16-THD)						
	5	1	5M-2894	12	WASHER-HARD (10.2X18.5X2.5-MM THK)						
	6	1	1W-6356	1	GASKET						



GRAPHIC #1

<END>

g01215216

AIR INLET AND EXHAUST SYSTEM

5N-2457 FITTING GP-EXHAUST-FLEXIBLE

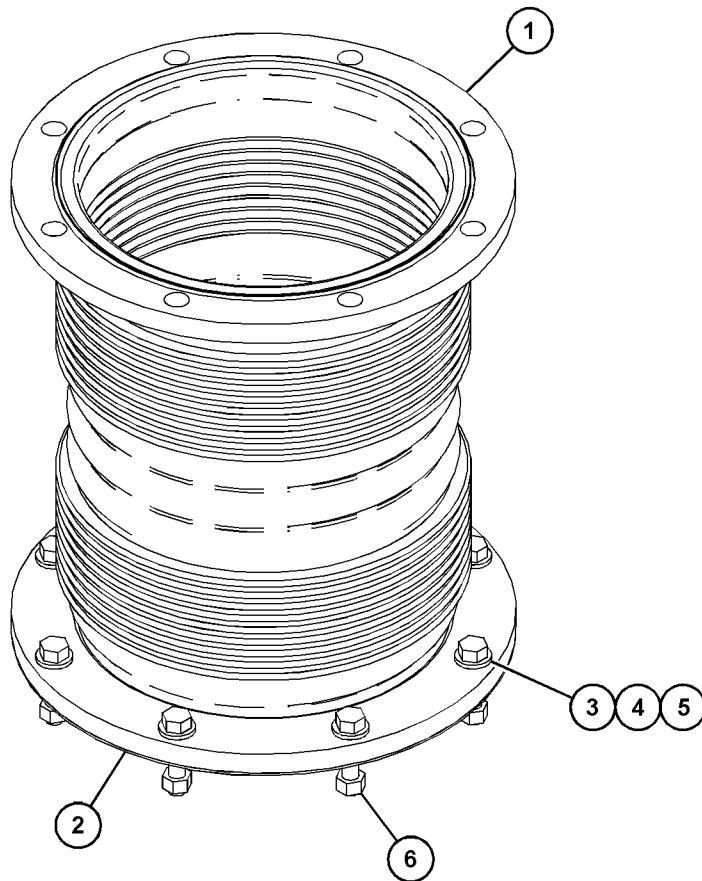
203.2-MM
AN ATTACHMENT

SMCS-1061

i06105509

NOTE	REF NO	GRAPHIC REF	PART NUMBER	QTY	PART NAME						SEE PAGE
					1	2	3	4	5	6	
	1	1	214-6045	1	BELLOWS AS						
	2	1	245-3512	1	GASKET (EXHAUST)						
	3	1	3V-3308	8	WASHER-HARD (10.2X20.5X2.5-MM THK)						
BL	4	1	0S-1588	8	BOLT (3/8-16X1.25-IN)						
BJ	5	1	0S-1571	8	BOLT (3/8-16X1.75-IN)						
BJ	6	1	9S-8752	8	NUT-FULL (3/8-16-THD)						

B - USE AS REQUIRED
 J - FOR USE WITH HOT EXHAUST
 L - FOR USE WITH WATER COOLED EXHAUST



GRAPHIC #1

<END>

g03811923

AIR INLET AND EXHAUST SYSTEM

5N-9527 FITTING GP-EXHAUST-FLEXIBLE

305-MM

FOR USE WITH WATERCOOLED, HOT EXHAUST STACKS
AN ATTACHMENT

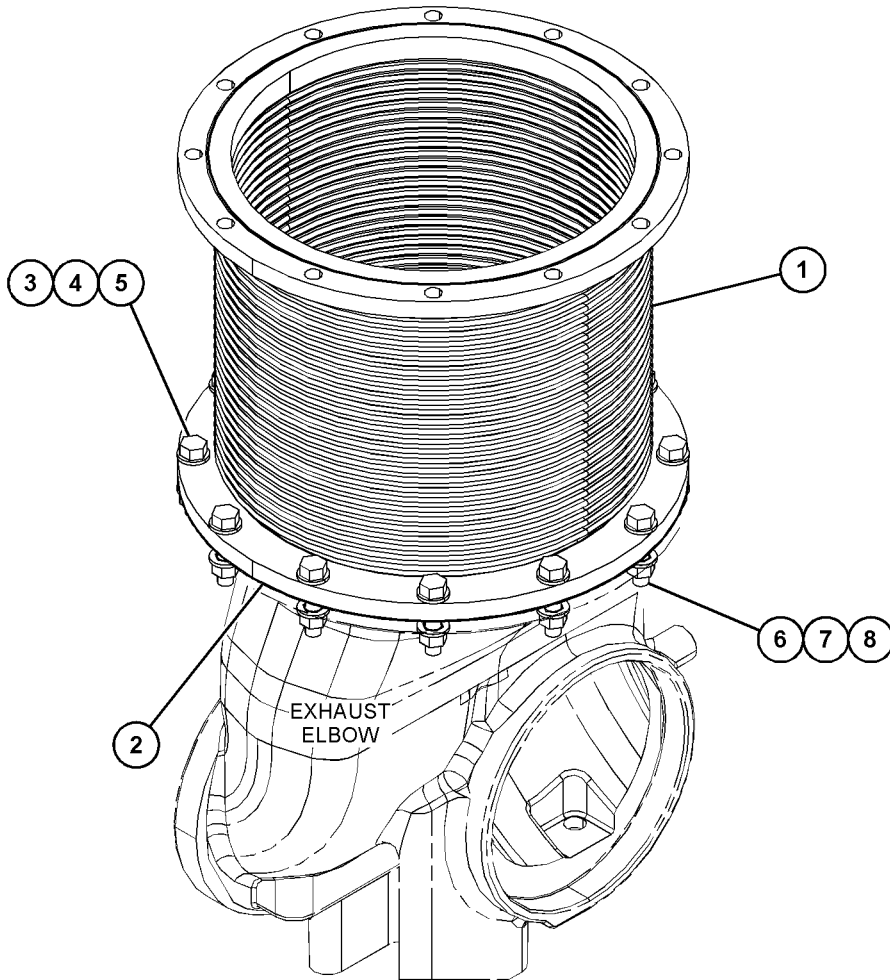
SMCS-1061

i06707486

NOTE	REF NO	GRAPHIC REF	PART NUMBER	QTY	PART NAME						SEE PAGE
					1	2	3	4	5	6 (PRODUCT LEVEL)	
	1	1	207-1332	1	BELLOWS AS						
	2	1	495-4092	1	GASKET-EXHAUST						
B	3	1	5L-4398	12	BOLT (1/2-13X2.25-IN)						
B	4	1	1F-7958	12	NUT-FULL (1/2-13-THD)						
B	5	1	5P-8245	24	WASHER-HARD (13.5X25.5X3-MM THK)						
BJ	6	1	165-3931	12	BOLT (3/8-16X1.75-IN)						
BJ	7	1	9S-8752	12	NUT-FULL (3/8-16-THD)						
BJ	8	1	5M-2894	12	WASHER-HARD (10.2X18.5X2.5-MM THK)						

B - USE AS REQUIRED

J - FOR USE WITH 1W5532 ELBOW OR 7N6959 ADAPTER



GRAPHIC #1

<END>

g06080794

AIR INLET AND EXHAUST SYSTEM

7N-6967 FITTING GP-EXHAUST-FLEXIBLE

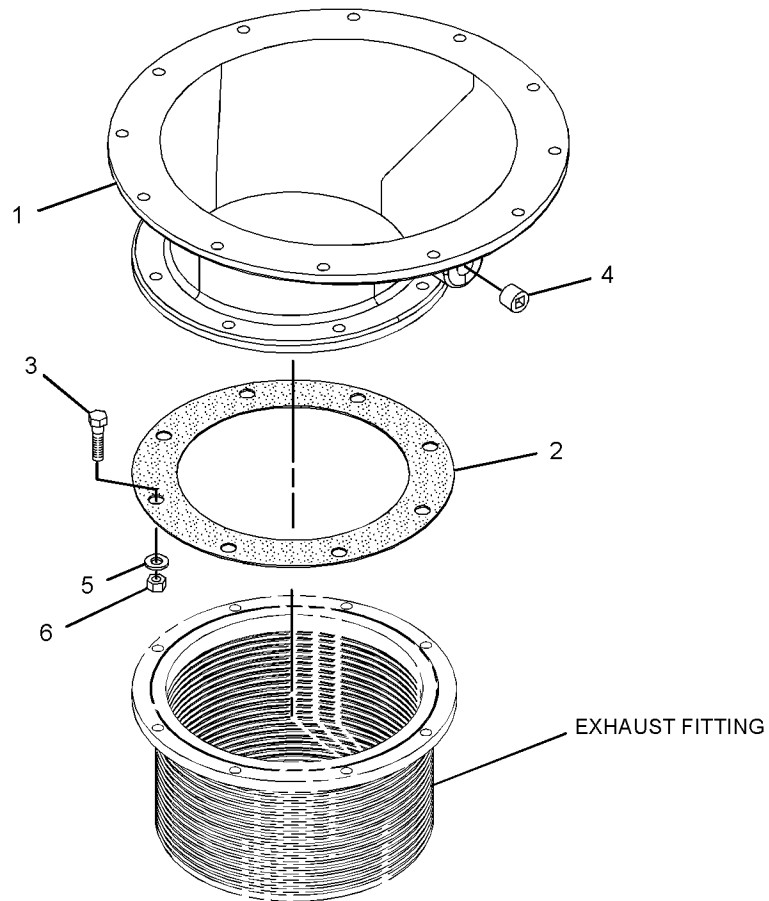
305-MM
AN ATTACHMENT

SMCS-1061

i06121684

NOTE	REF NO	GRAPHIC REF	PART NUMBER	QTY	PART NAME						SEE PAGE
					1	2	3	4	5	6 (PRODUCT LEVEL)	
	1	1	7N-6959	1	ADAPTER						
	2	1	245-3512	1	GASKET (EXHAUST)						
B	3	1	0S-1591	8	BOLT (3/8-16X1.5-IN)						
	4	1	2B-0858	1	PLUG-PIPE						
B	5	1	3V-3308	8	WASHER-HARD (10.2X20.5X2.5-MM THK)						
	6	1	9S-8752	8	NUT-FULL (3/8-16-THD)						

B - USE AS REQUIRED



GRAPHIC #1

<END>

g02846941

AIR INLET AND EXHAUST SYSTEM

7N-6968 FITTING GP-EXHAUST

254-MM

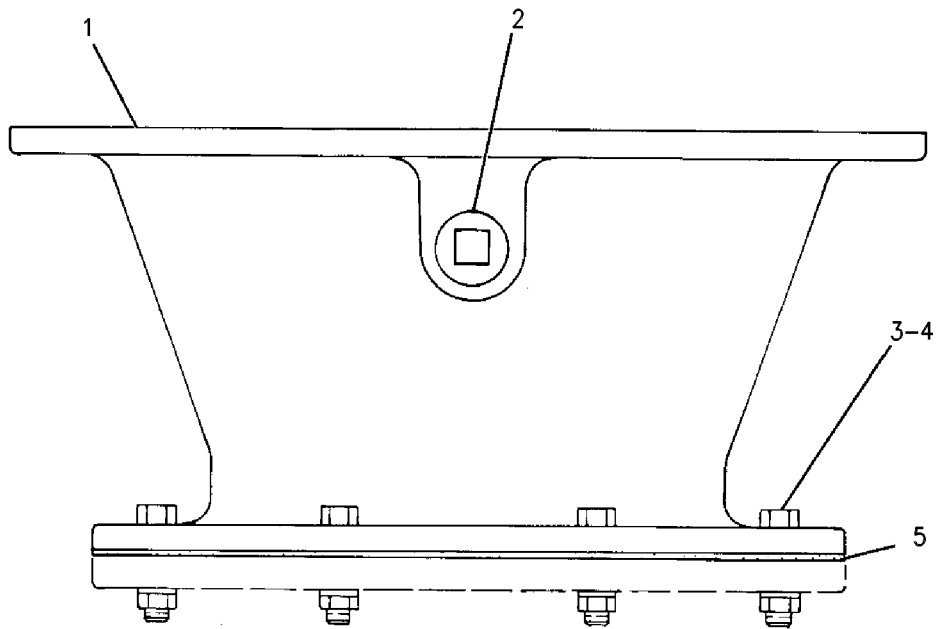
FOR USE WITH 7N-6962-PAGE: 841
AN ATTACHMENT

SMCS-1061

i02911660

NOTE	REF NO	GRAPHIC REF	PART NUMBER	QTY	PART NAME						SEE PAGE
					1	2	3	4	5	6 (PRODUCT LEVEL)	
	1	1	7N-5971	1	ADAPTER						
	2	1	8T-6762	1	PLUG-PIPE (1/2-14-THD)						
B	3	1	0S-1591	8	BOLT (3/8-16X1.5-IN)						
	4	1	9S-8752	8	NUT-FULL (3/8-16-THD)						
CB		1	3V-3308	8	WASHER-HARD (10.2X20.5X2.5-MM THK)						
	5	1	5L-3773	1	GASKET-EXHAUST ELBOW						

B - USE AS REQUIRED
C - CHANGE FROM PREVIOUS TYPE



GRAPHIC #1

<END>

g00622974

AIR INLET AND EXHAUST SYSTEM

1W-9488 FLANGE GP-EXHAUST

S/N: 50Y647-1304

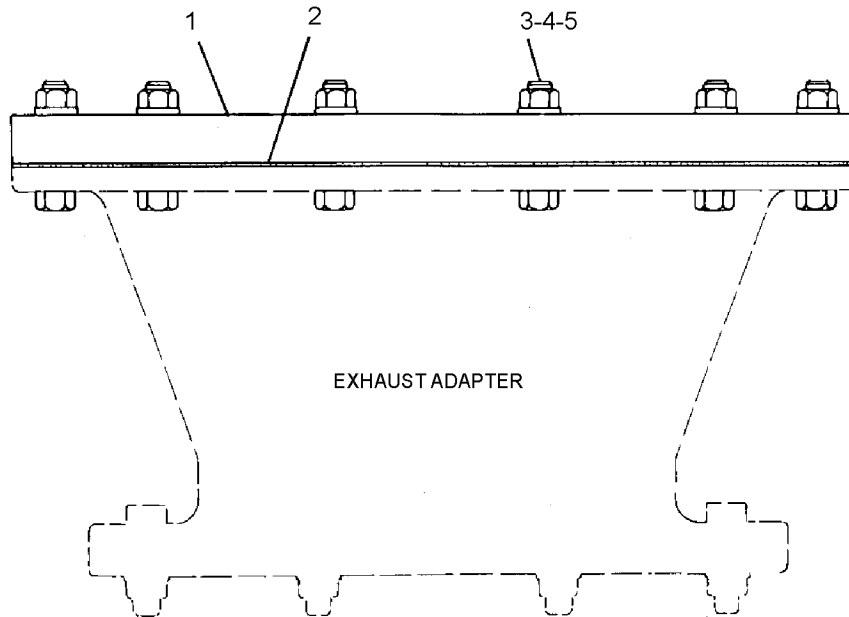
355.6-MM

AN ATTACHMENT

SMCS-1061

i02617064

NOTE	REF NO	GRAPHIC REF	PART NUMBER	QTY	PART NAME						SEE PAGE
					1	2	3	4	5	6 (PRODUCT LEVEL)	
	1	1	1W-7579	1	FLANGE						
	2	1	1W-7580	1	GASKET						
	3	1	0S-1571	12	BOLT (3/8-16X1.75-IN)						
	4	1	9S-8752	12	NUT-FULL (3/8-16-THD)						
	5	1	5M-2894	12	WASHER-HARD (10.2X18.5X2.5-MM THK)						



GRAPHIC #1

<END>

g01301072

AIR INLET AND EXHAUST SYSTEM

2W-7756 FLANGE GP-EXHAUST

S/N: 50Y647-1304

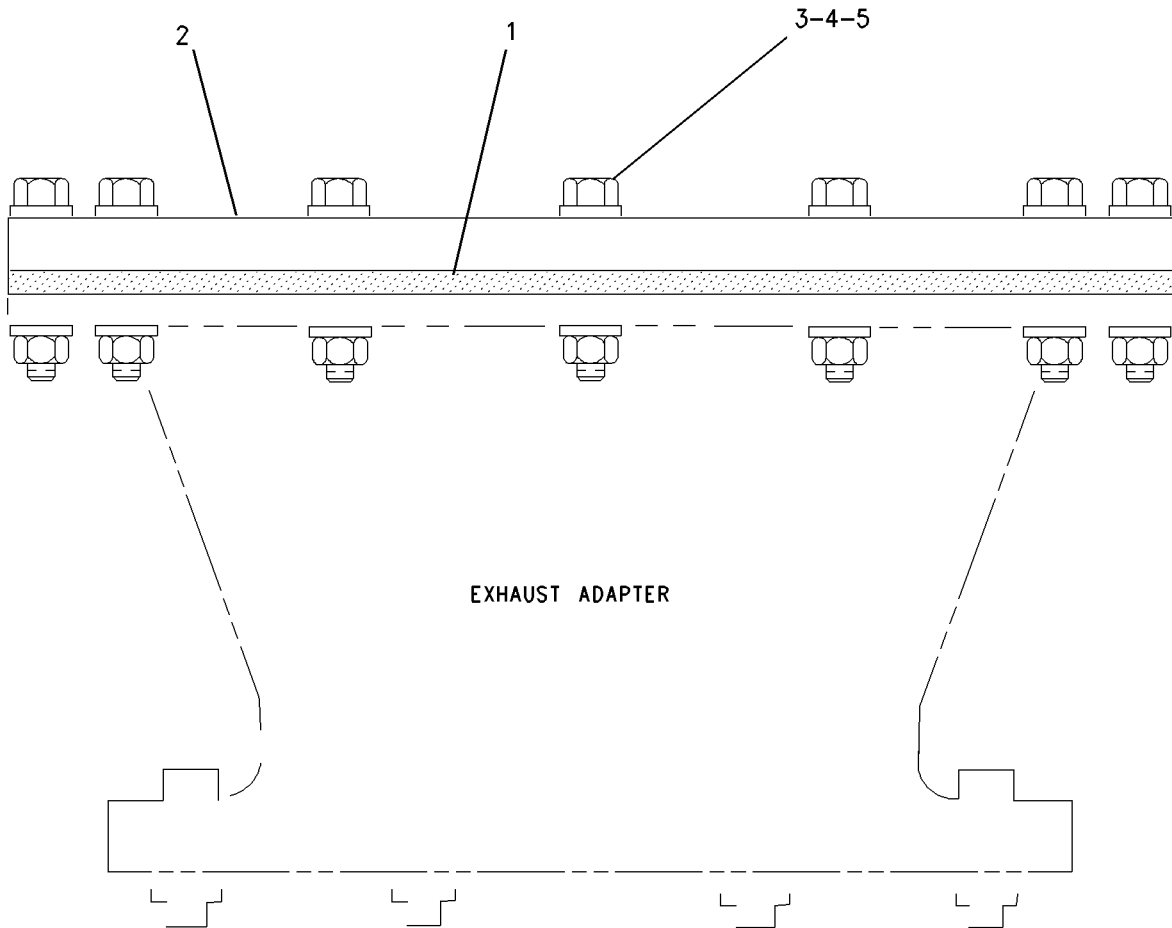
355.61-MM

AN ATTACHMENT

SMCS-1061

i06986957

NOTE	REF NO	GRAPHIC REF	PART NUMBER	QTY	PART NAME						SEE PAGE
					1	2	3	4	5	6 (PRODUCT LEVEL)	
	1	1	111-5822	1	GASKET-EXHAUST						
	2	1	2W-7755	1	FLANGE-EXHAUST						
	3	1	9X-8873	12	BOLT (1/2-13X2.25-IN)						
	4	1	5P-8245	24	WASHER-HARD (13.5X25.5X3-MM THK)						
	5	1	1B-5357	12	NUT-FULL (1/2-13-THD)						



GRAPHIC #1

<END>

g00788150

AIR INLET AND EXHAUST SYSTEM

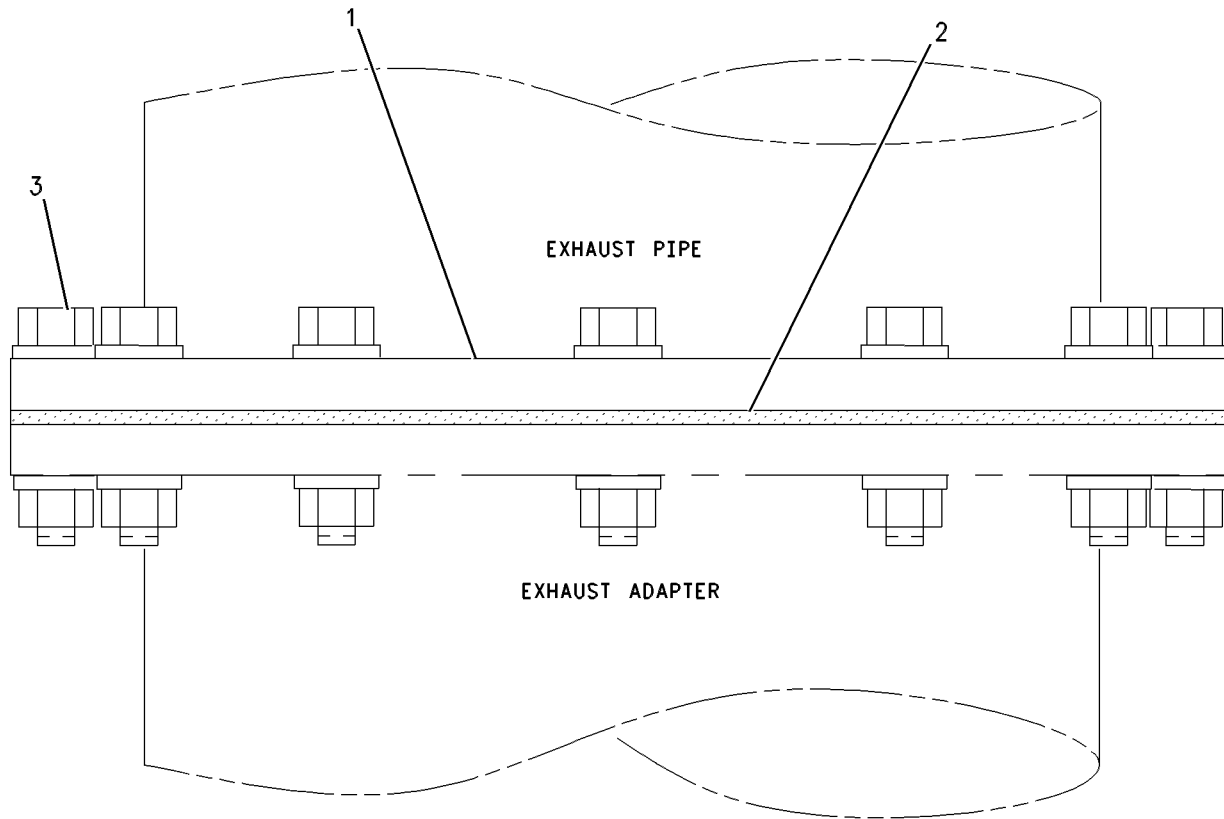
2W-7866 FLANGE GP-EXHAUST

254-MM (10-INCH) DIAMETER PIPE
AN ATTACHMENT

SMCS-1061

i02179546

NOTE	REF NO	GRAPHIC REF	PART NUMBER	QTY	PART NAME						SEE PAGE
					1	2	3	4	5	6 (PRODUCT LEVEL)	
	1	1	2W-7867	1	FLANGE - EXHAUST						
	2	1	2W-7868	1	GASKET - EXHAUST						
	3	1	5L-4398	12	BOLT (1/2-13X2.25-IN)						
		1	1B-5357	12	NUT-FULL (1/2-13-THD)						
		1	5P-8245	24	WASHER-HARD (13.5X25.5X3-MM THK)						



GRAPHIC #1

<END>

g00618627

AIR INLET AND EXHAUST SYSTEM

2W-7871 FLANGE GP-EXHAUST

323.9-MM
AN ATTACHMENT

SMCS-1061

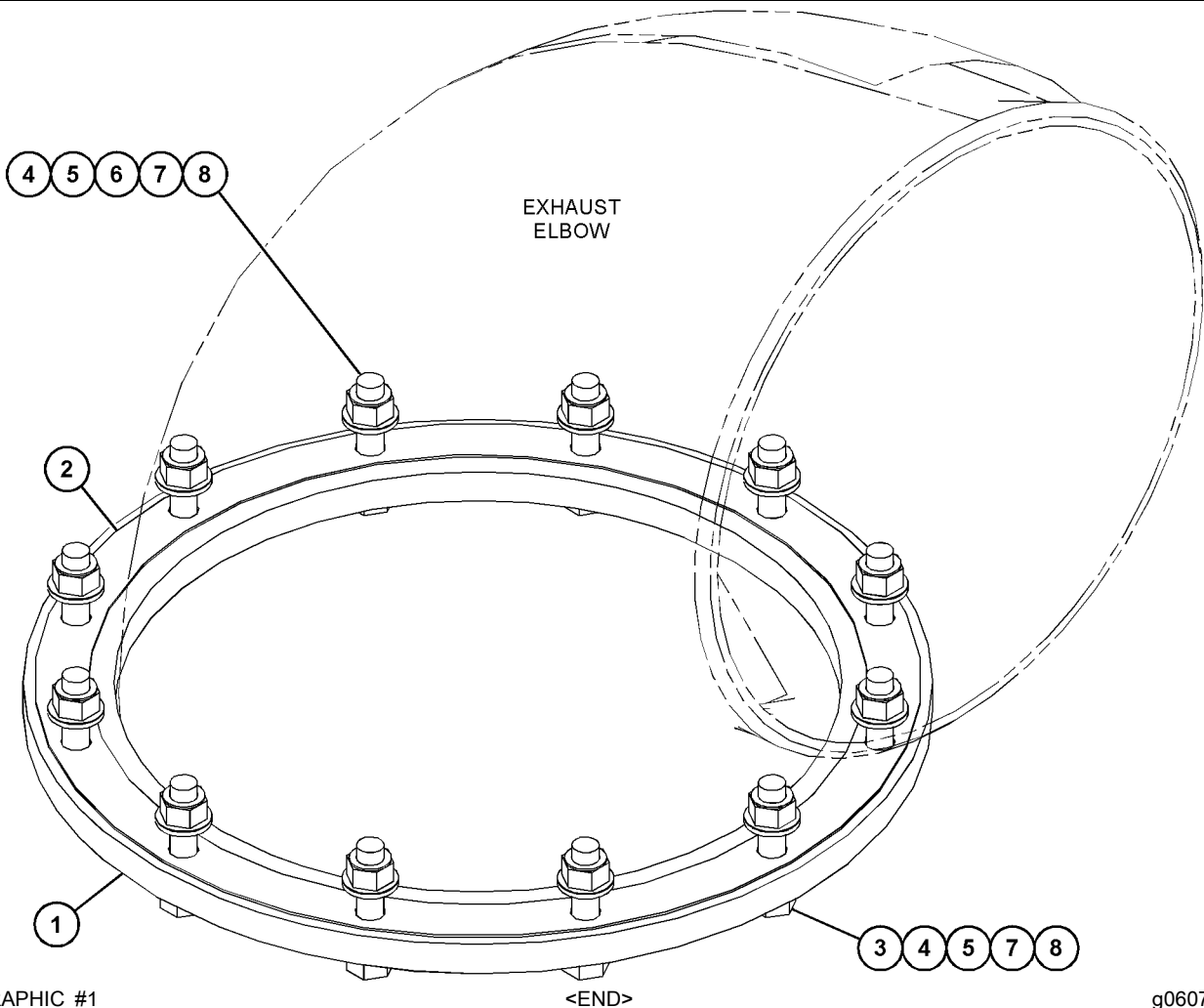
i06708030

NOTE	REF NO	GRAPHIC REF	PART NUMBER	QTY	PART NAME						SEE PAGE
					1	2	3	4	5	6 (PRODUCT LEVEL)	
	1	1	2W-7872	1	FLANGE-EXHAUST						
	2	1	495-4092	1	GASKET-EXHAUST						
BL	3	1	5L-4398	12	BOLT (1/2-13X2.25-IN)						
BL	4	1	1F-7958	12	NUT-FULL (1/2-13-THD)						
BL	5	1	5P-8245	24	WASHER-HARD (13.5X25.5X3-MM THK)						
BJ	6	1	165-3931	12	BOLT (3/8-16X1.75-IN)						
BJ	7	1	9S-8752	12	NUT-FULL (3/8-16-THD)						
BJ	8	1	9L-9132	24	WASHER (10.2X25.5X2.5-MM THK)						

B - USE AS REQUIRED

J - FOR USE WITH ENGINE EXHAUST ELBOW OR EXPANDER FITTING GP

L - FOR USE WITH FLEXIBLE FITTING GP OR MUFFLER GP



g06073014

AIR INLET AND EXHAUST SYSTEM

7N-6961 FLANGE GP-EXHAUST

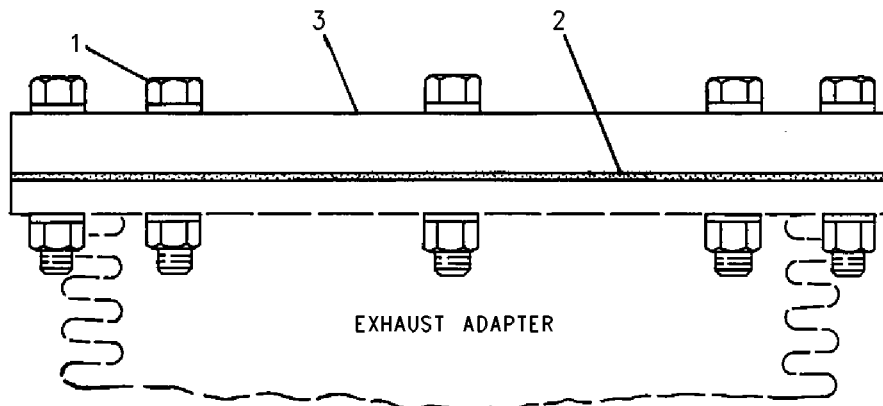
203-MM
AN ATTACHMENT

SMCS-1061

i02327546

NOTE	REF NO	GRAPHIC REF	PART NUMBER	QTY	PART NAME						SEE PAGE
					1	2	3	4	5	6 (PRODUCT LEVEL)	
B	1	1	0S-1590	8	BOLT (3/8-16X2-IN)						
		1	9S-8752	8	NUT-FULL (3/8-16-THD)						
BC		1	3V-3308	16	WASHER-HARD (10.2X20.5X2.5-MM THK)						
		2	5L-3773	1	GASKET-EXHAUST ELBOW						
		3	7N-6955	1	FLANGE						

B - USE AS REQUIRED
C - CHANGE FROM PREVIOUS TYPE



GRAPHIC #1

<END>

g00622100

AIR INLET AND EXHAUST SYSTEM

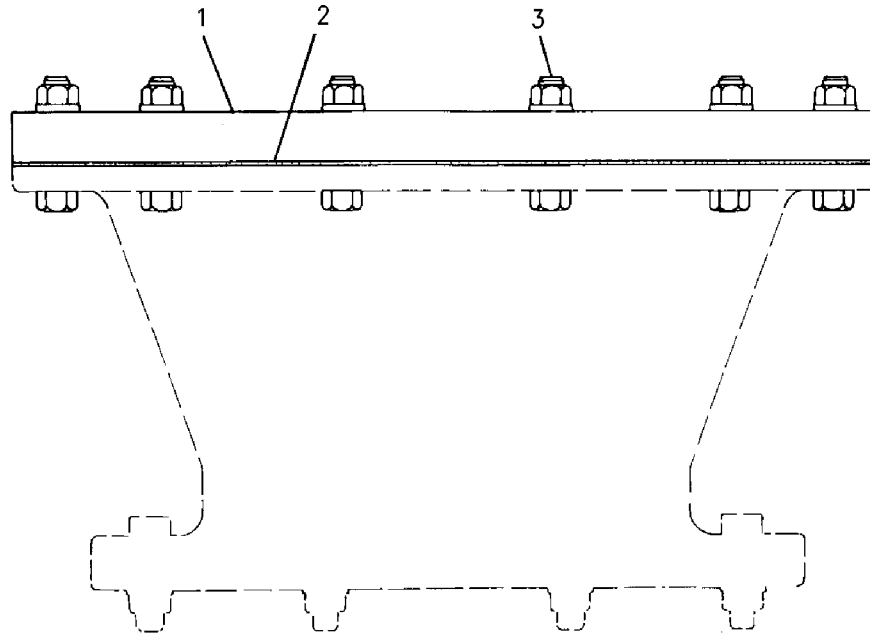
7N-6962 FLANGE GP-EXHAUST

FOR USE WITH 254-MM PIPE
AN ATTACHMENT

SMCS-1061

i02220722

NOTE	REF NO	GRAPHIC REF	PART NUMBER	QTY	PART NAME						SEE PAGE
					1	2	3	4	5	6 (PRODUCT LEVEL)	
	1	1	7N-6954	1	FLANGE						
	2	1	7N-6957	1	GASKET						
	3	1	0S-1571	12	BOLT (3/8-16X1.75-IN)						
		1	9S-8752	12	NUT-FULL (3/8-16-THD)						
		1	5M-2894	12	WASHER-HARD (10.2X18.5X2.5-MM THK)						



GRAPHIC #1

<END>

g00622145

AIR INLET AND EXHAUST SYSTEM

7N-6963 FLANGE GP-EXHAUST

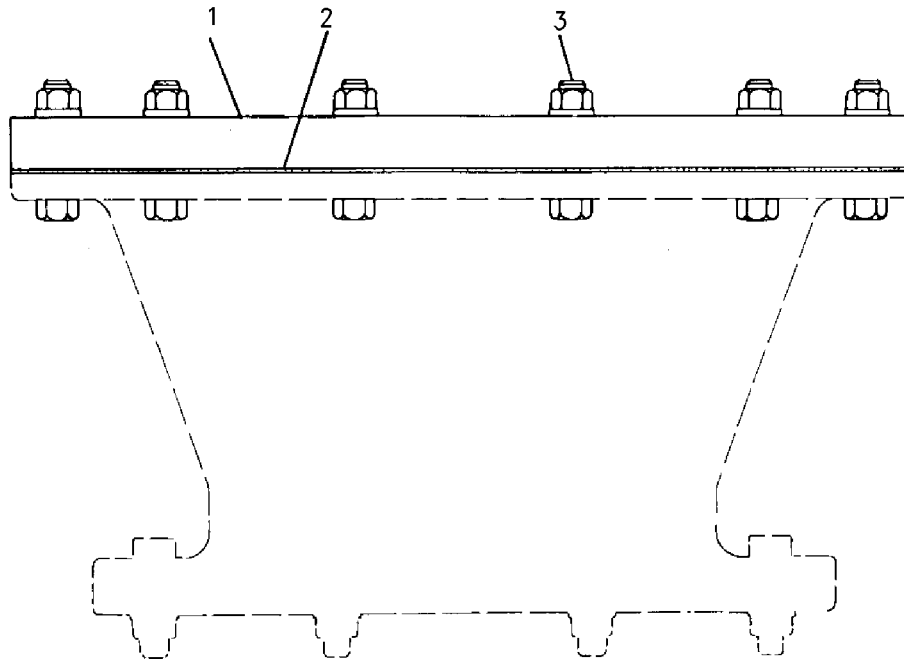
305-MM

FOR USE WITH TA ENGINE FOR E317, TA ENGINE FOR E318
AN ATTACHMENT

SMCS-1061

i01232201

NOTE	REF NO	GRAPHIC REF	PART NUMBER	QTY	PART NAME						SEE PAGE
					1	2	3	4	5	6 (PRODUCT LEVEL)	
	1	1	7N-6956	1	FLANGE						
	2	1	7N-6958	1	GASKET						
	3	1	0S-1571	12	BOLT (3/8-16X1.75-IN)						
		1	9S-8752	12	NUT-FULL (3/8-16-THD)						
		1	5M-2894	12	WASHER-HARD (10.2X18.5X2.5-MM THK)						



GRAPHIC #1

<END>

g00658758

AIR INLET AND EXHAUST SYSTEM

7N-6782 INDICATOR GP-AIR FILTER CHANGE

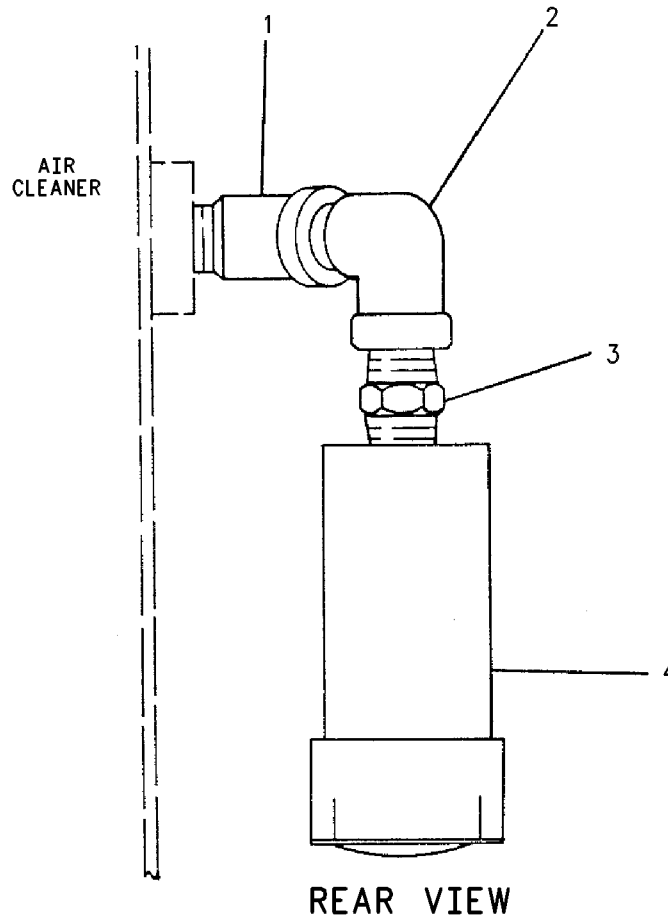
S/N: 50Y686-1304; 66Z209-578

**CANNOT BE USED WITH PREMIUM INSTRUMENT PANEL
AN ATTACHMENT**

SMCS-7452

i04832749

NOTE	REF NO	GRAPHIC REF	PART NUMBER	QTY	PART NAME						SEE PAGE
					1	2	3	4	5	6 (PRODUCT LEVEL)	
	1	1	8L-5008	2	ELBOW-PIPE						
	2	1	3B-6552	2	ELBOW-PIPE						
	3	1	5L-3233	2	FITTING-CONNECTOR						
	4	1	6I-2933	2	INDICATOR-AIR FILTER SERVICE						



GRAPHIC #1

<END>

g00622080

AIR INLET AND EXHAUST SYSTEM

465-7385 KIT-TURBOCHARGER GASKET

KIT CONTAINS GASKETS AND SEALS TO REINSTALL THE TURBOS AND ATTACHING LINES. KIT
CONTAINS TURBO MOUNTING HARDWARE

FOR USE WITH 2W-8862-PAGE: 8, 8N-5802-PAGE: 15, 1W-4219-PAGE: 4
FIELD INSTALLATION

SMCS-1052, 1053, 7555

i07329163

NOTE	PART NUMBER	QTY	PART NAME 1 2 3 4 5 6 (PRODUCT LEVEL)	SEE PAGE
	1W-5957	1	GASKET	
	7N-3368	1	GASKET	
	121-5736	1	GASKET (TURBOCHARGER)	
	245-3512	1	GASKET (EXHAUST)	
	252-8374	1	GASKET	
	453-7799	2	GASKET (EXHAUST MANIFOLD)	
	1S-4810	1	GASKET-OIL DRAIN	
	1S-6595	1	GASKET-OIL SUPPLY	
	2N-2766	4	LOCKNUT (3/8-16-THD)	
	6V-3319	1	SEAL-O-RING	
	6V-3917	2	SEAL-O-RING	
	6V-5167	2	SEAL-O-RING	
	7L-4773	2	SEAL-O-RING	
	136-7227	1	SEAL-O-RING	
	112-3540	1	SEAL-O-RING	
	516-5987	8	STUD-TAPERLOCK	
FOR A LIST OF RELATED PARTS THAT MAY BE REQUIRED FOR THE ENGINE REBUILD TO THE KIT CONSIST, PLEASE VISIT				
HTTP://DEALER.CAT.COM/RELATED				
<END>				

AIR INLET AND EXHAUST SYSTEM

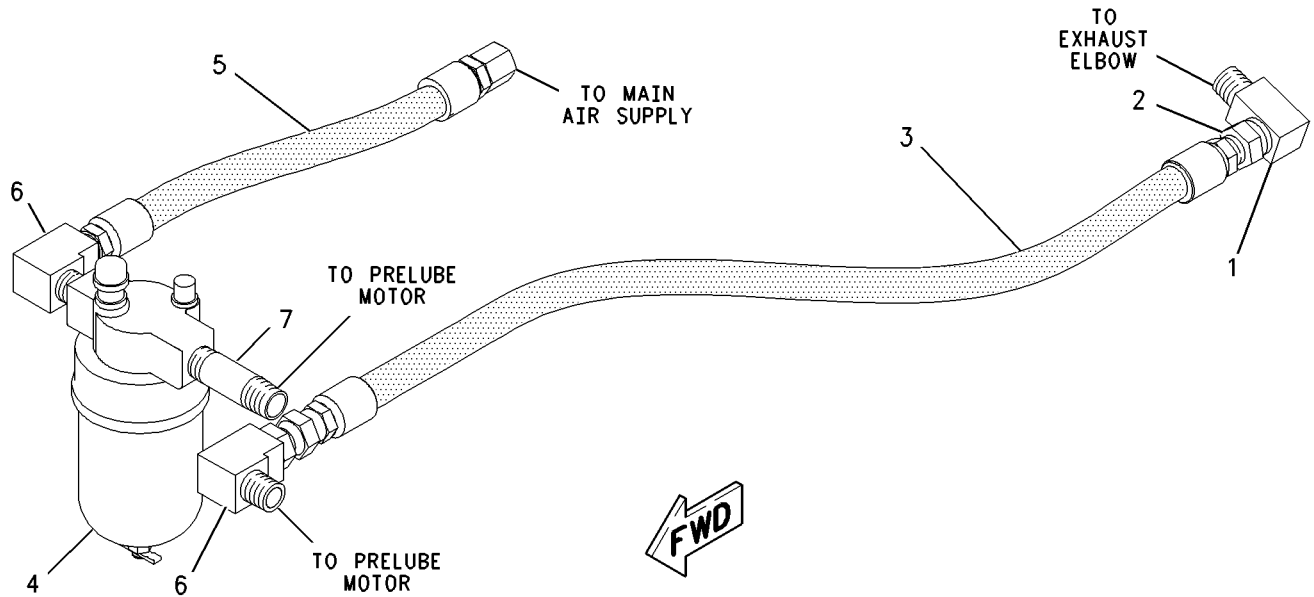
191-8390 LINES GP-AIR-PRELUBRICATION PUMP AN ATTACHMENT

SMCS-1071

i01426545

NOTE	REF NO	GRAPHIC REF	PART NUMBER	QTY	PART NAME						SEE PAGE
					1	2	3	4	5	6 (PRODUCT LEVEL)	
	1	1	2H-3940	1	ELBOW						
	2	1	2H-9091	1	CONNECTOR-PIPE						
I	3	1	3N-4829	1	HOSE AS						
Y	4	1	7W-0522	1	LUBRICATOR GP-AIR MOTOR						1515
I	5	1	191-8389	1	HOSE AS						
	6	1	002-6453	2	ELBOW						
	7	1	3B-7272	1	NIPPLE-PIPE						

I - REFER TO HYDRAULIC INFORMATION SYSTEM
Y - SEPARATE ILLUSTRATION



GRAPHIC #1

<END>

g00747953

AIR INLET AND EXHAUST SYSTEM

285-8373 LINES GP-AIR

S/N: 50Y647-1304

PART OF 357-0858 ENGINE AR-COMplete

SMCS-1071

i07499410

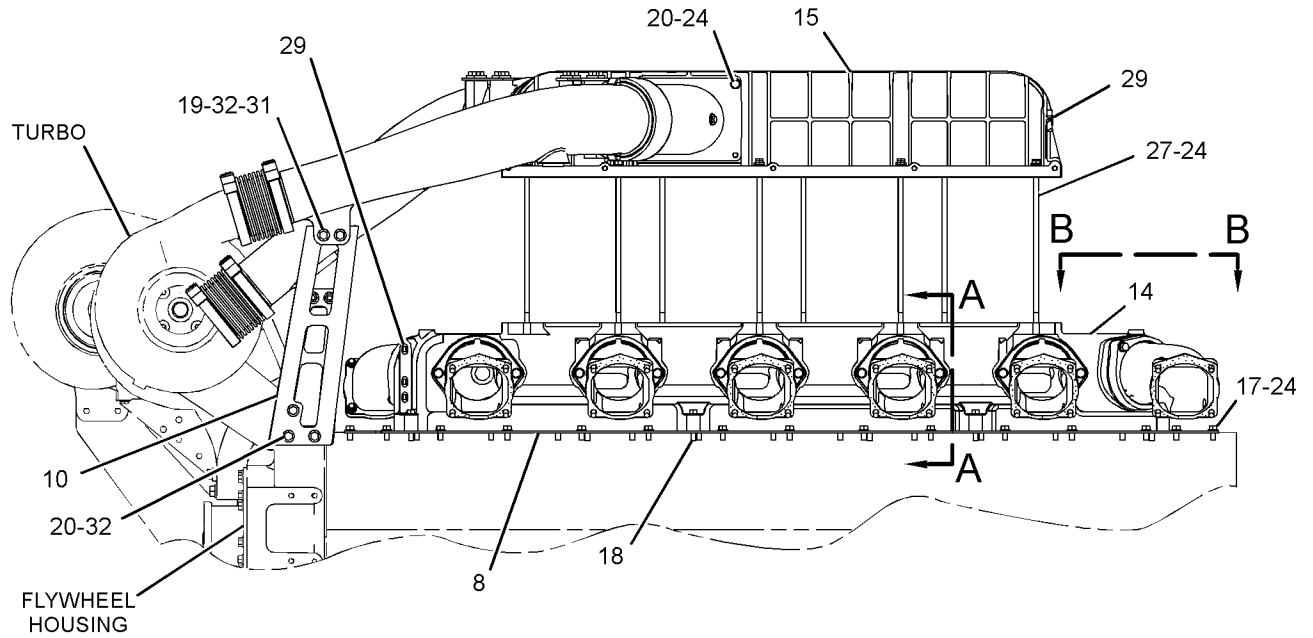
NOTE	REF NO	GRAPHIC REF	PART NUMBER	QTY	PART NAME						SEE PAGE
					1	2	3	4	5	6 (PRODUCT LEVEL)	
	1	1	7C-7909	10	ELBOW (AIR INLET)						
	2	2	7C-7910	2	ELBOW (AIR INLET)						
	3	1,2	7C-8199	12	FLANGE						
	4	1,2	7N-5080	12	GASKET-MANIFOLD						
	5	2	109-7411	2	SEAL-O-RING						
	6	2	112-1567	2	STRAP						
	7	2	122-3374	2	ELBOW (AIR INLET)						
	8	1	348-5661	1	PLATE						
	9	2	239-6808	4	CLAMP (V-BAND)						
	10	1	281-6008	1	BRACKET						
	11	1	281-6009	1	BRACKET						
	12	2	338-7519	1	TUBE-AIR (RH)						
	13	2	338-7520	1	TUBE-AIR (LH)						
	14	1	283-9599	1	MANIFOLD (AIR INLET)						
	15	1	285-8436	1	COVER (AIR INLET)						
	16	2	307-5472	2	BELLOWS						
	17	1	0S-0509	30	BOLT (3/8-16X0.75-IN)						
	18	1	0S-1590	6	BOLT (3/8-16X2-IN)						
	19	1	165-3929	4	BOLT (3/8-16X1.5-IN)						
	20	1,2	0S-1594	21	BOLT (3/8-16X1-IN)						
	21	1,2	1T-0720	48	BOLT-12 POINT HEAD (3/8-16X1.25-IN)						
	22	1,2	2A-4639	24	BOLT (3/8-16X1.625-IN)						
	23	1,2	4S-5898	12	SEAL-O-RING						
	24	1,2	5M-2894	120	WASHER-HARD (10.2X18.5X2.5-MM THK)						
	25	1,2	6V-5101	12	SEAL-O-RING						
	26	2	6V-5103	4	SEAL-O-RING						
	27	1	8J-5985	10	BOLT (3/8-16X12.375-IN)						
	28	2	8M-9024	8	WASHER-HARD (10.2X22.5X5-MM THK)						
	29	1,2	8T-6762	7	PLUG-PIPE (1/2-14-THD)						
	30	2	8T-6764	2	PLUG-PIPE (1/8-27-THD)						
	31	1	9S-8752	4	NUT-FULL (3/8-16-THD)						
	32	1	9X-6458	13	WASHER-HARD (10.2X22.5X3-MM THK)						

AIR INLET AND EXHAUST SYSTEM

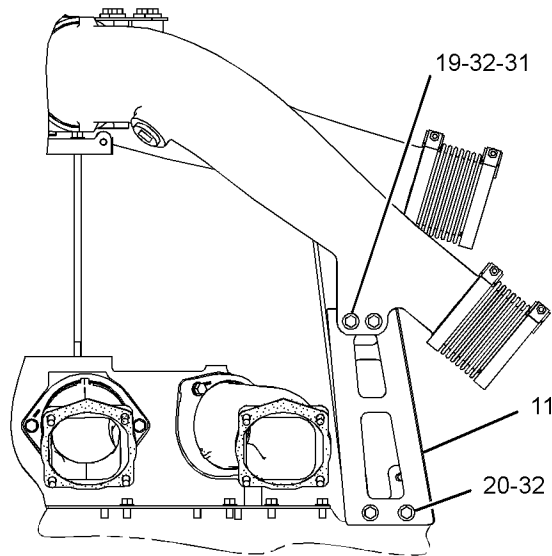
285-8373 LINES GP-AIR (contd.)

i07499410

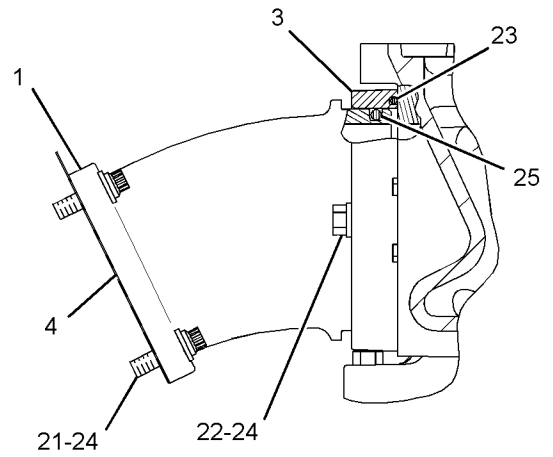
REFER TO ALL ILLUSTRATIONS OF THIS GROUP FOR AUXILIARY VIEWS



RIGHT SIDE VIEW OF ENGINE



LEFT SIDE VIEW OF ENGINE



SECTION A-A

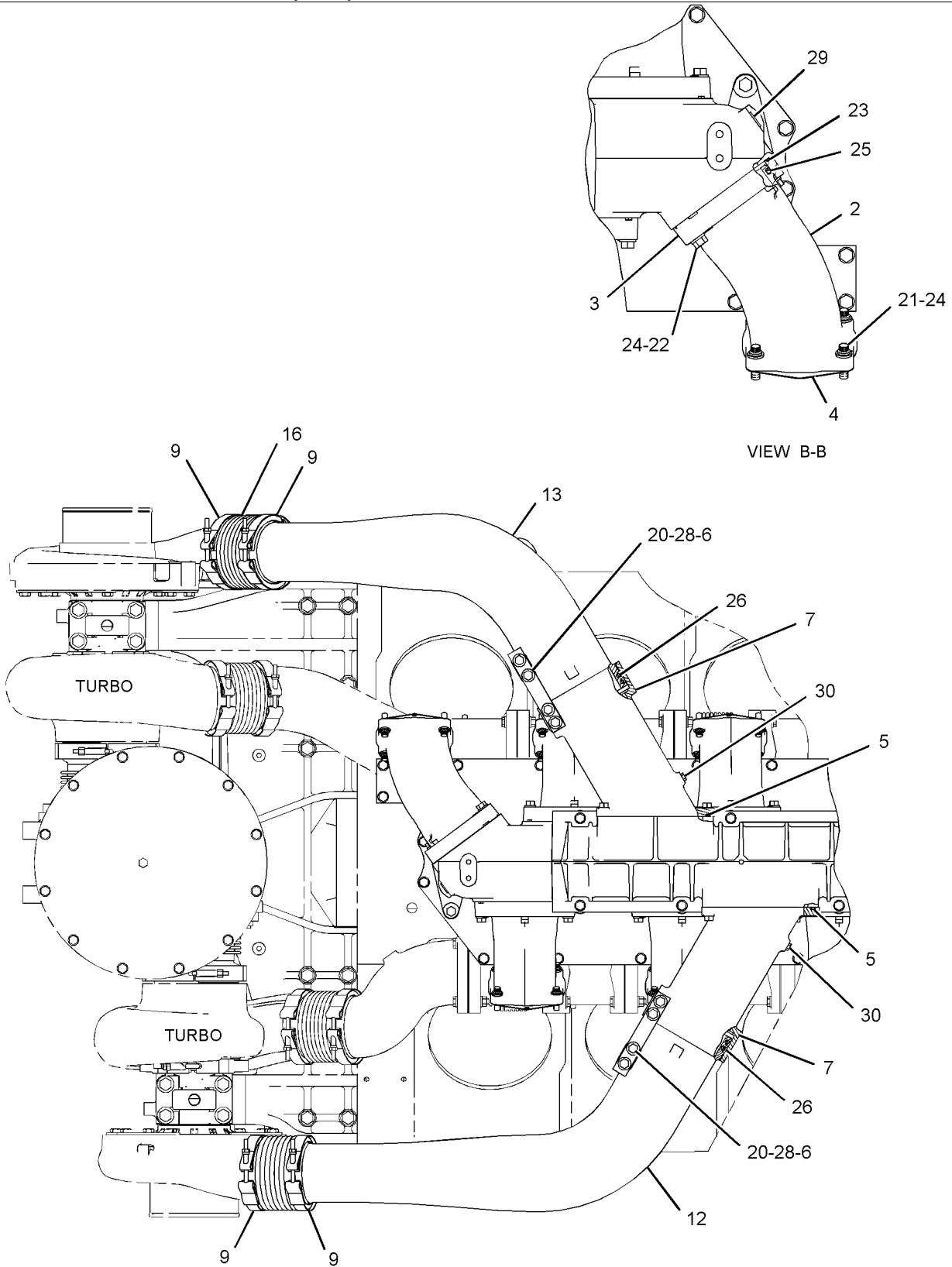
GRAPHIC #1

g01949475

AIR INLET AND EXHAUST SYSTEM

285-8373 LINES GP-AIR (contd.)

i07499410



TOP VIEW OF ENGINE

GRAPHIC #2

<END>

g01981673

AIR INLET AND EXHAUST SYSTEM

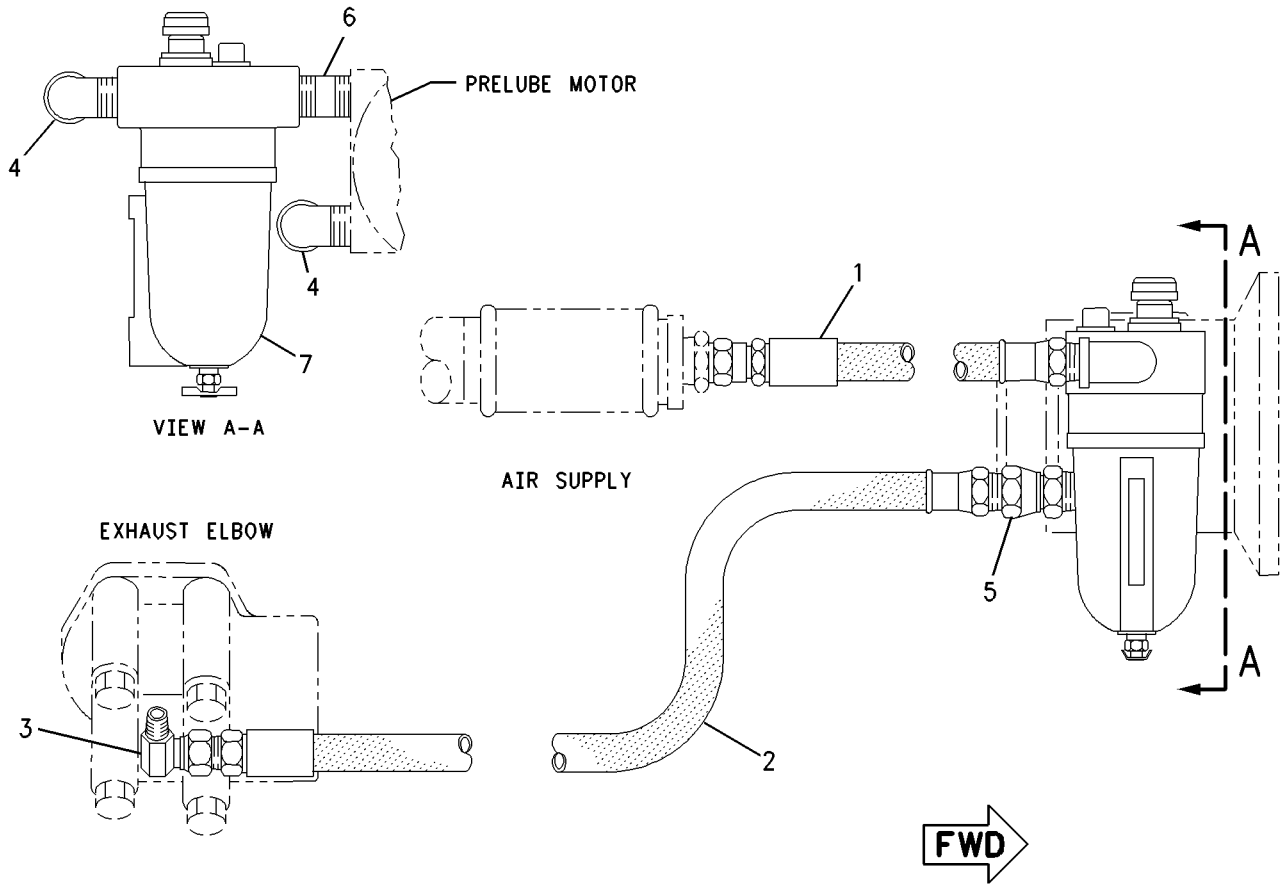
5N-8354 LINES GP-AIR-PRELUBRICATION PUMP AN ATTACHMENT

SMCS-1071

i07327833

NOTE	REF NO	GRAPHIC REF	PART NUMBER	QTY	PART NAME						SEE PAGE
					1	2	3	4	5	6 (PRODUCT LEVEL)	
I	1	1	5N-8353	1	HOSE AS						
I	2	1	5N-8352	1	HOSE AS						
	3	1	2H-3940	1	ELBOW						
	4	1	002-6453	2	ELBOW						
C	5	1	2H-9091	1	CONNECTOR-PIPE						
	6	1	3B-7272	1	NIPPLE-PIPE						
C	7	1	7W-0522	1	LUBRICATOR GP-AIR MOTOR						

C - CHANGE FROM PREVIOUS TYPE
I - REFER TO HYDRAULIC INFORMATION SYSTEM



GRAPHIC #1

<END>

g00899967

AIR INLET AND EXHAUST SYSTEM

7C-2976 LINES GP-AIR

PRELUBE INLET & EXHAUST
FOR USE WITH AIR START LINES
AN ATTACHMENT

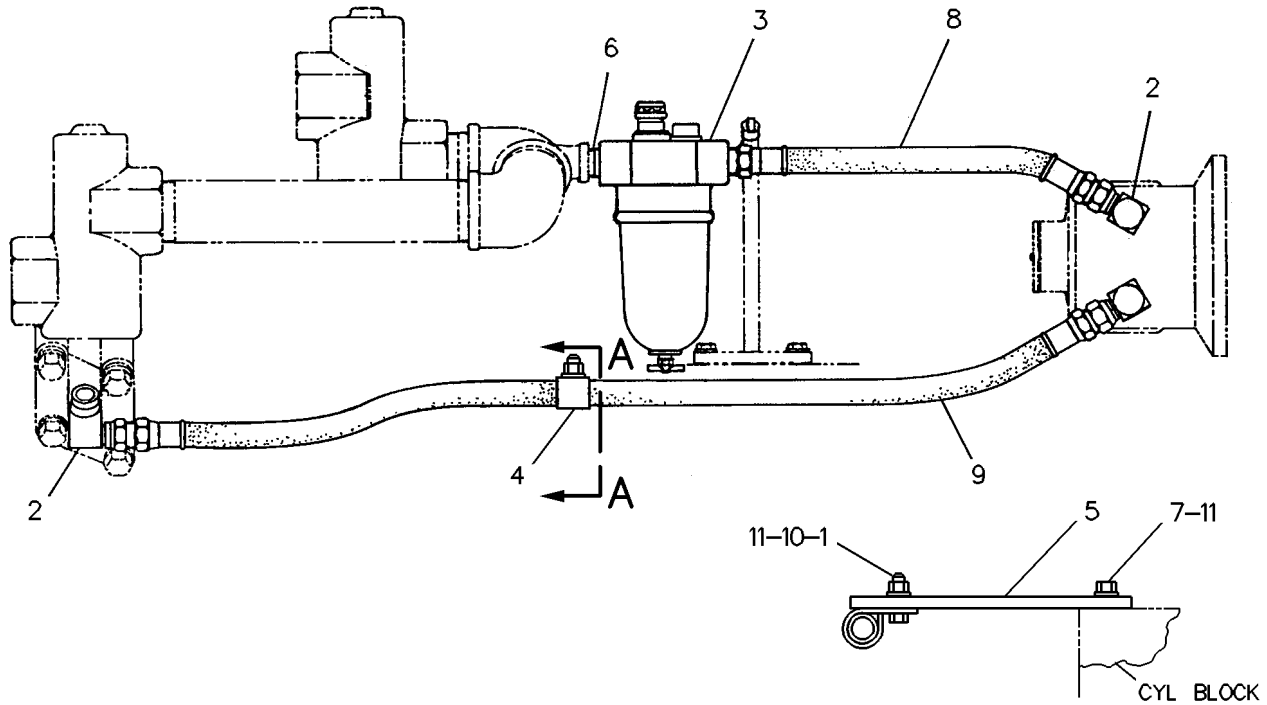
SMCS-1071

i07327836

NOTE	REF NO	GRAPHIC REF	PART NUMBER	QTY	PART NAME						SEE PAGE
					1	2	3	4	5	6	
	1	1	0S-1594	1	BOLT (3/8-16X1-IN)						
	2	1	2H-3940	3	ELBOW						
	3	1	7W-0522	1	LUBRICATOR GP-AIR MOTOR						
	4	1	3S-8665	1	CLIP (LOOP)						
	5	1	7C-2972	1	BRACKET						
B	6	1	3B-7744	1	FITTING						
	7	1	0S-1608	1	BOLT (3/8-16X3.75-IN)						
I	8	1	2H-7551	1	HOSE AS						
I	9	1	3N-4829	1	HOSE AS						
	10	1	9S-8752	1	NUT-FULL (3/8-16-THD)						
	11	1	5M-2894	2	WASHER-HARD (10.2X18.5X2.5-MM THK)						

B - USE AS REQUIRED

I - REFER TO HYDRAULIC INFORMATION SYSTEM



SECTION A-A

GRAPHIC #1

<END>

g00222370

AIR INLET AND EXHAUST SYSTEM

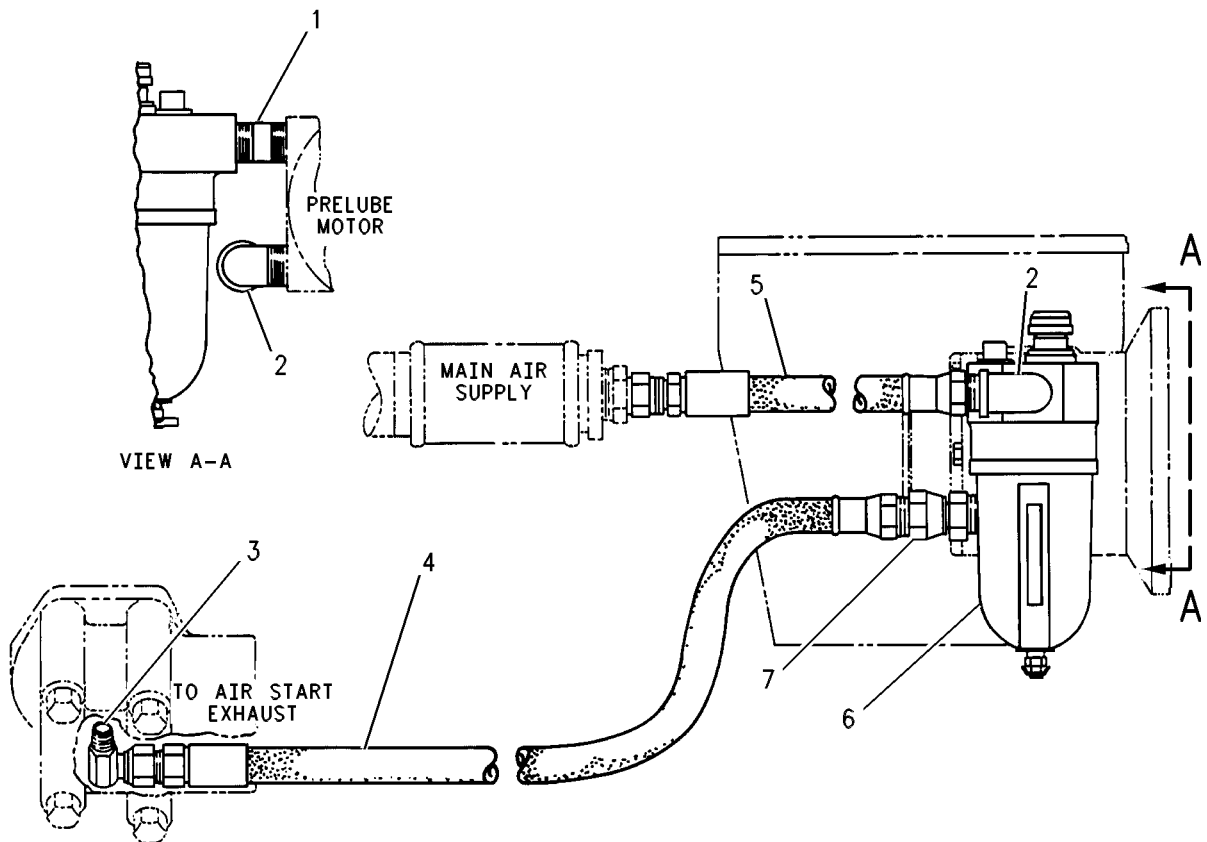
8N-8507 LINES GP-AIR PRELUBRICATION INLET & EXHAUST FOR USE WITH AIR START WITH AIR PRELUBE AN ATTACHMENT

SMCS-1071

i07327839

NOTE	REF NO	GRAPHIC REF	PART NUMBER	QTY	PART NAME						SEE PAGE
					1	2	3	4	5	6	
C	1	1	3B-7866	1	NIPPLE-PIPE						
	2	1	002-6453	2	ELBOW						
	3	1	2H-3940	1	ELBOW						
I	4	1	7D-7509	1	HOSE AS						
CI	5	1	9P-1347	1	HOSE AS						
C	6	1	7W-0522	1	LUBRICATOR GP-AIR MOTOR						
	7	1	2H-9091	1	CONNECTOR-PIPE						

C - CHANGE FROM PREVIOUS TYPE
I - REFER TO HYDRAULIC INFORMATION SYSTEM



GRAPHIC #1

<END>

g00495971

AIR INLET AND EXHAUST SYSTEM

9Y-5600 LINES GP-AIR

S/N: 50Y763-886

SMCS-1071

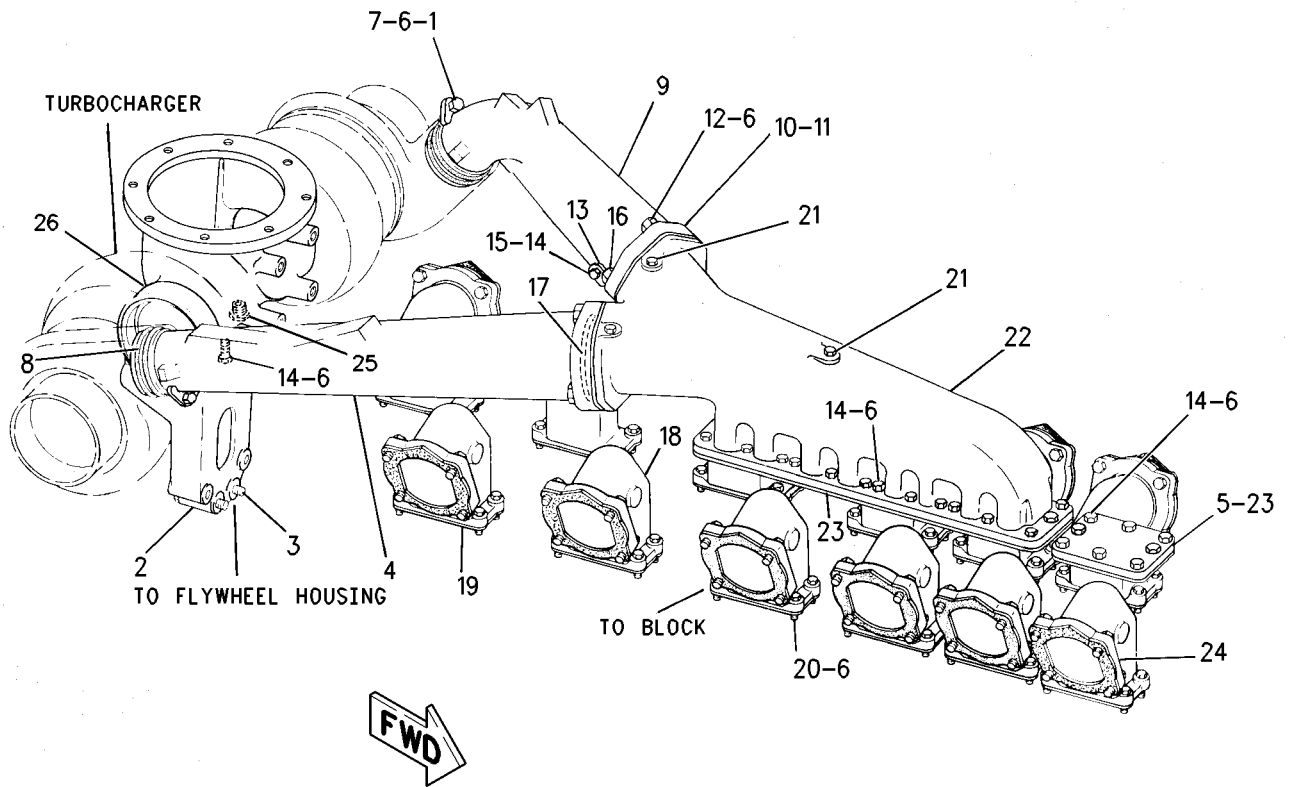
i01334080

NOTE	REF NO	GRAPHIC REF	PART NUMBER	QTY	PART NAME						SEE PAGE
					1	2	3	4	5	6 (PRODUCT LEVEL)	
	1	1	0L-1351	2	BOLT (3/8-16X0.875-IN)						
	2	1	2W-1640	1	BRACKET						
	3	1	0L-1329	2	BOLT (1/2-13X3-IN)						
		1	5P-8245	2	WASHER-HARD (13.5X25.5X3-MM THK)						
	4	1	2W-9584	1	PIPE						
	5	1	1W-1250	1	COVER						
	6	1	5M-2894	140	WASHER-HARD (10.2X18.5X2.5-MM THK)						
	7	1	7W-1944	2	RETAINER						
	8	1	6V-3917	4	SEAL-O-RING						
	9	1	2W-9585	1	PIPE						
	10	1	1W-5956	2	FLANGE						
	11	1	1W-5957	2	GASKET						
	12	1	0T-0573	4	BOLT (3/8-16X2.75-IN)						
	13	1	4W-6964	2	BRACKET						
	14	1	1A-2029	40	BOLT (3/8-16X1.125-IN)						
	15	1	3V-3308	2	WASHER-HARD (10.2X20.5X2.5-MM THK)						
	16	1	0S-1619	2	BOLT (3/8-16X3-IN)						
		1	8M-7145	2	WASHER (10.2X28.5X5-MM THK)						
	17	1	6V-5167	4	SEAL-O-RING						
	18	1	7N-5079	12	ELBOW						
		1	6V-5504	12	SEAL-O-RING						
	19	1	7N-5089	12	GASKET						
	20	1	5P-0076	96	BOLT-12 POINT HEAD (3/8-16X1.5-IN)						
	21	1	5M-6213	3	PLUG-PIPE (1/4-18-THD)						
	22	1	4W-0715	1	MANIFOLD-INLET						
	23	1	1W-1251	5	GASKET						
	24	1	7N-5085	12	FLANGE						
		1	7N-5080	12	GASKET-MANIFOLD						
	25	1	3J-5389	2	PLUG (EXTERNAL)						
	26	1	9Y-5584	1	ELBOW-EXHAUST						

AIR INLET AND EXHAUST SYSTEM

9Y-5600 LINES GP-AIR (contd.)

101334080



GRAPHIC #1

<END>

g00705453

AIR INLET AND EXHAUST SYSTEM

9Y-5600 LINES GP-AIR

S/N: 50Y887-1304

SMCS-1071

i06636656

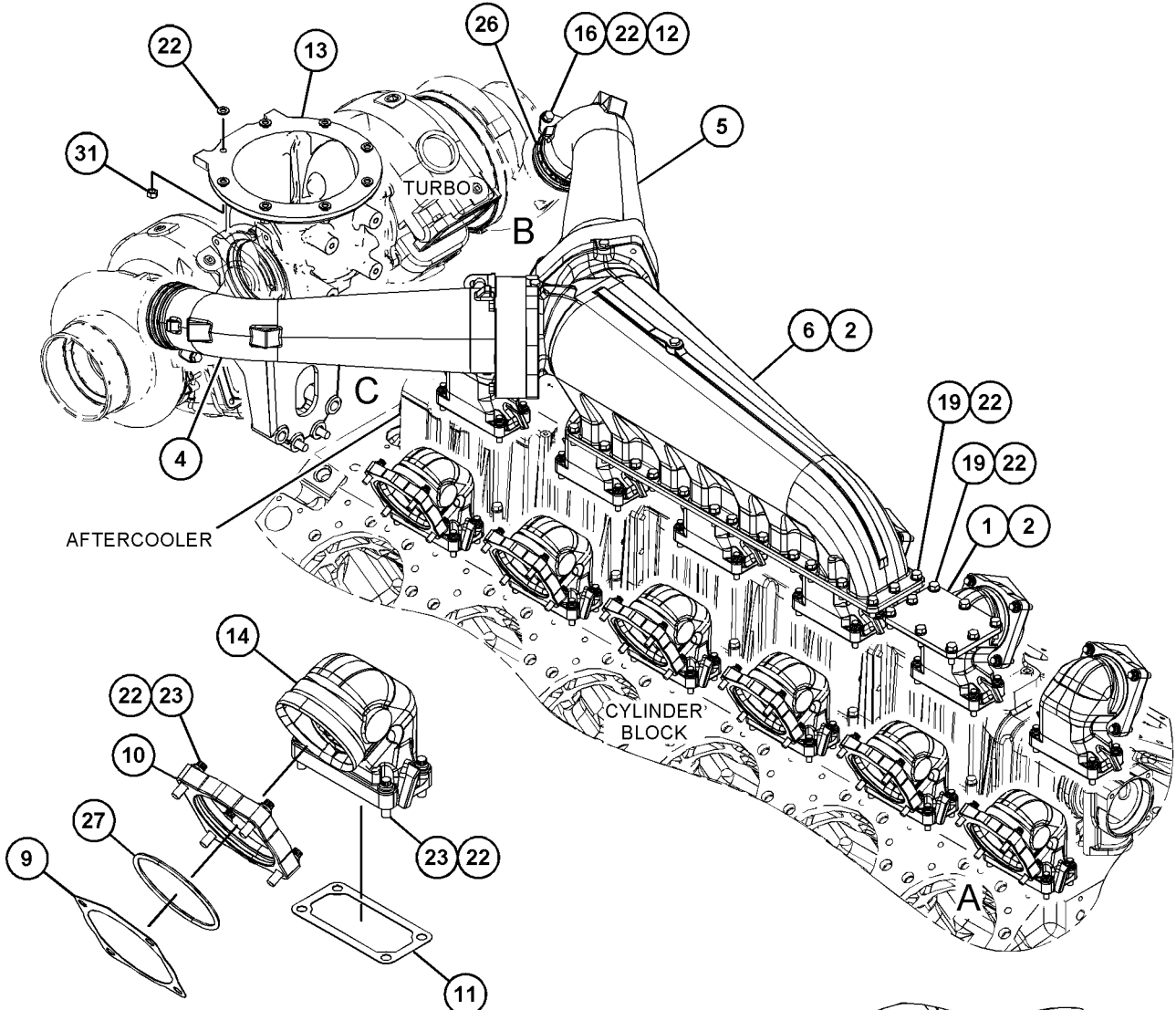
NOTE	REF NO	GRAPHIC REF	PART NUMBER	QTY	PART NAME						SEE PAGE
					1	2	3	4	5	6 (PRODUCT LEVEL)	
	1	1	1W-1250	1	COVER						
	2	1	1W-1251	5	GASKET						
	3	1	2W-1640	1	BRACKET						
	4	1	2W-9584	1	PIPE						
	5	1	2W-9585	1	PIPE						
	6	1	4W-0715	1	MANIFOLD-INLET						
	7	1	4W-6964	2	BRACKET						
C	8	1	7E-8550	2	FLANGE						
	9	1	7N-5080	12	GASKET-MANIFOLD						
	10	1	7N-5085	12	FLANGE						
	11	1	7N-5089	12	GASKET						
	12	1	7W-1944	2	RETAINER						
	13	1	9Y-5584	1	ELBOW-EXHAUST						
	14	1	134-3804	12	ELBOW						
	15	1	0L-1329	2	BOLT (1/2-13X3-IN)						
	16	1	0L-1351	2	BOLT (3/8-16X0.875-IN)						
	17	1	0S-1619	2	BOLT (3/8-16X3-IN)						
	18	1	0T-0573	4	BOLT (3/8-16X2.75-IN)						
	19	1	1A-2029	40	BOLT (3/8-16X1.125-IN)						
	20	1	3J-5389	2	PLUG (EXTERNAL)						
	21	1	3V-3308	2	WASHER-HARD (10.2X20.5X2.5-MM THK)						
C	22	1	5M-2894	148	WASHER-HARD (10.2X18.5X2.5-MM THK)						
	23	1	5P-0076	96	BOLT-12 POINT HEAD (3/8-16X1.5-IN)						
	24	1	5P-8245	2	WASHER-HARD (13.5X25.5X3-MM THK)						
C	25	1	6V-3319	2	SEAL-O-RING						
	26	1	6V-3917	4	SEAL-O-RING						
	27	1	6V-5101	12	SEAL-O-RING						
	28	1	6V-5167	4	SEAL-O-RING						
	29	1	8M-7145	2	WASHER (10.2X28.5X5-MM THK)						
	30	1	8T-6765	3	PLUG-PIPE (1/4-18-THD)						
C	31	1	9S-8752	8	NUT-FULL (3/8-16-THD)						

C - CHANGE FROM PREVIOUS TYPE

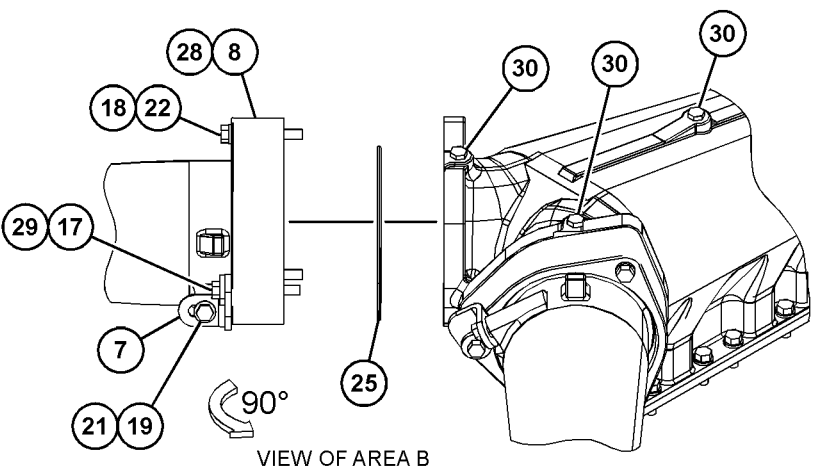
AIR INLET AND EXHAUST SYSTEM

9Y-5600 LINES GP-AIR (contd.)

106636656



VIEW OF AREA A
(EXPLODED)



VIEW OF AREA B

VIEW OF AREA C

GRAPHIC #1

<END>

g06063196

AIR INLET AND EXHAUST SYSTEM

9Y-5602 LINES GP-AIR

S/N: 66Z276-578

SMCS-1071

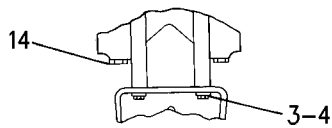
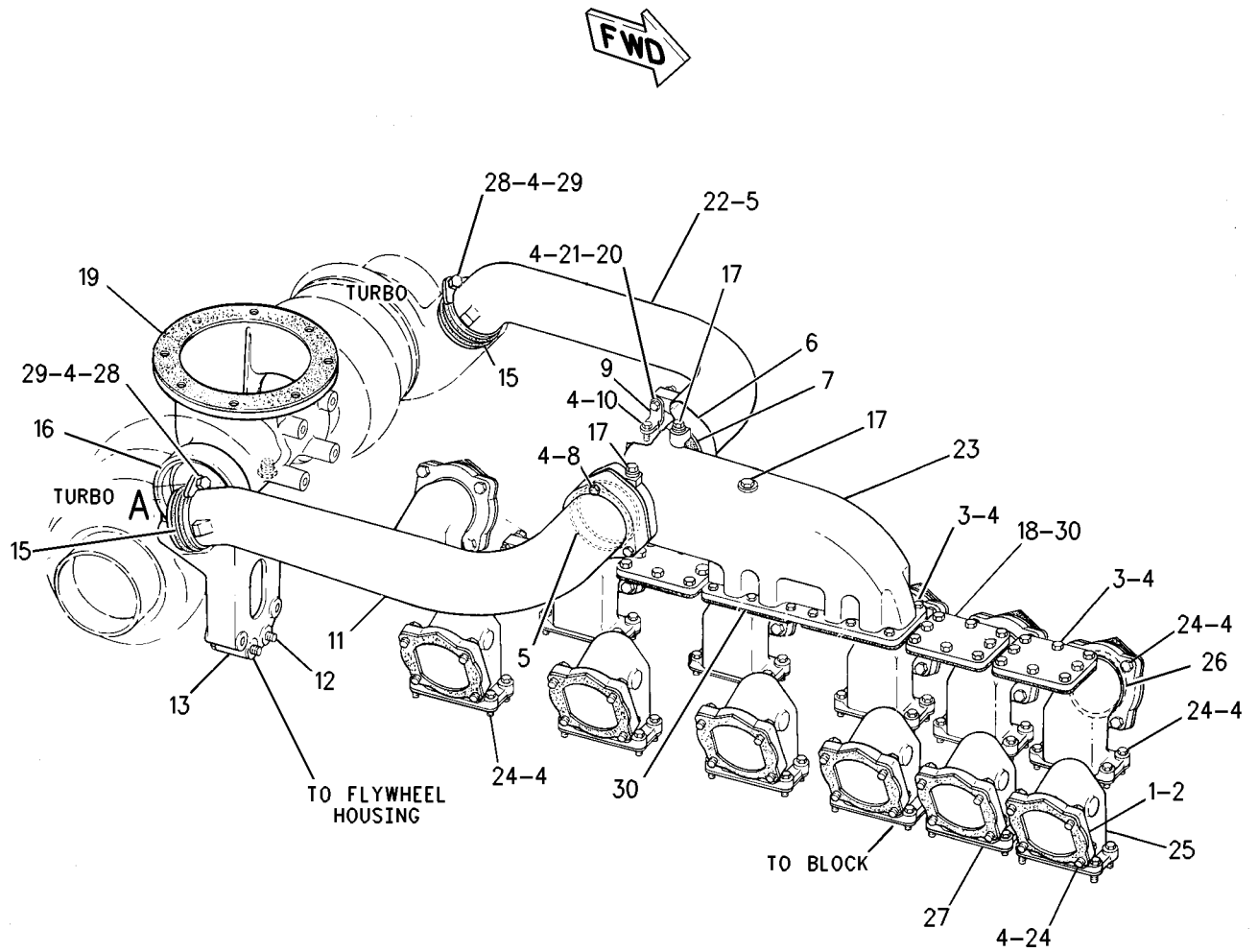
i01334138

NOTE	REF NO	GRAPHIC REF	PART NUMBER	QTY	PART NAME						SEE PAGE
					1	2	3	4	5	6 (PRODUCT LEVEL)	
	1	1	7N-5085	12	FLANGE						
	2	1	7N-5080	12	GASKET-MANIFOLD						
	3	1	1A-2029	40	BOLT (3/8-16X1.125-IN)						
	4	1	5M-2894	150	WASHER-HARD (10.2X18.5X2.5-MM THK)						
	5	1	6V-2695	4	SEAL-O-RING						
	6	1	7N-4897	2	FLANGE						
	7	1	7N-4895	2	GASKET						
	8	1	0L-1143	6	BOLT (3/8-16X2.5-IN)						
	9	1	7N-4896	2	BRACKET						
	10	1	0S-0509	2	BOLT (3/8-16X0.75-IN)						
	11	1	1N-4028	1	PIPE						
	12	1	0L-1329	2	BOLT (1/2-13X3-IN)						
		1	5P-8245	2	WASHER-HARD (13.5X25.5X3-MM THK)						
	13	1	2W-1640	1	BRACKET						
	14	1	3J-5389	2	PLUG (EXTERNAL)						
	15	1	5P-5700	4	SEAL-O-RING						
	16	1	9Y-5584	1	ELBOW-EXHAUST						
	17	1	5M-6213	3	PLUG-PIPE (1/4-18-THD)						
	18	1	1W-1250	3	COVER						
	19	1	5L-3773	1	GASKET-EXHAUST ELBOW						
	20	1	9S-8752	2	NUT-FULL (3/8-16-THD)						
	21	1	1D-4717	2	NUT (3/8-16-THD)						
	22	1	1N-4029	1	PIPE						
	23	1	4W-0716	1	MANIFOLD-AIR INLET						
	24	1	5P-0076	96	BOLT-12 POINT HEAD (3/8-16X1.5-IN)						
	25	1	7N-5079	12	ELBOW						
	26	1	6V-5504	12	SEAL-O-RING						
	27	1	7N-5089	12	GASKET						
	28	1	0L-1351	2	BOLT (3/8-16X0.875-IN)						
	29	1	7W-1944	2	RETAINER						
	30	1	1W-1251	5	GASKET						

AIR INLET AND EXHAUST SYSTEM

9Y-5602 LINES GP-AIR (contd.)

101334138



VIEW OF AREA A

GRAPHIC #1

<END>

g00705840

AIR INLET AND EXHAUST SYSTEM

2W-4923 LINES GP-AIR SHUTOFF

S/N: 66Z190-578

PART OF 7W-7322 SHUTOFF GP-ELECTRICAL
AN ATTACHMENT

SMCS-1078

i00968758

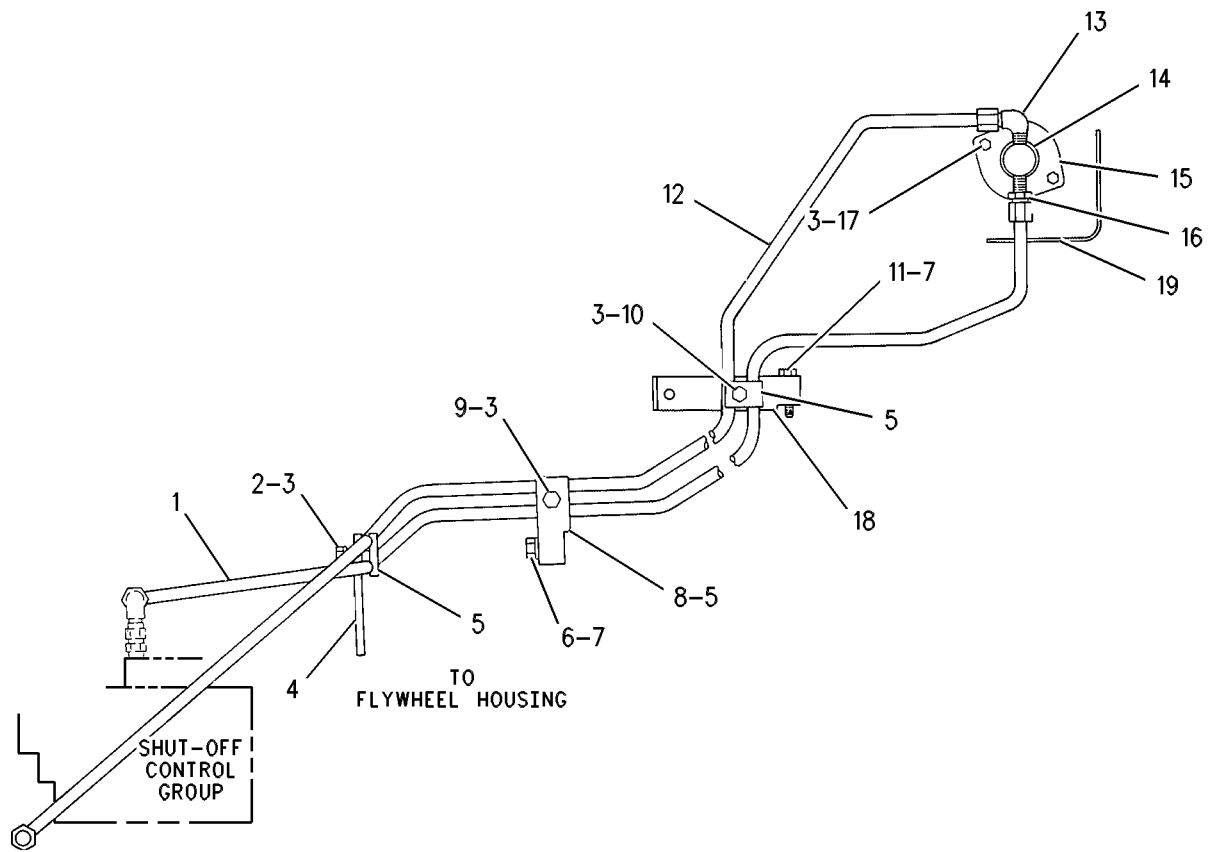
NOTE	REF NO	GRAPHIC REF	PART NUMBER	QTY	PART NAME						SEE PAGE
					1	2	3	4	5	6 (PRODUCT LEVEL)	
	1	1	5N-8558	1	TUBE AS						
	2	1	7B-2742	1	BOLT (1/4-20X1.25-IN)						
	3	1	5P-0537	5	WASHER-HARD (7.2X14.5X2-MM THK)						
	4	1	5N-8557	1	PLATE						
	5	1	5N-7886	3	CLAMP (PLAIN)						
		1	5N-5670	3	CLAMP (TAPPED)						
	6	1	0S-1591	1	BOLT (3/8-16X1.5-IN)						
	7	1	5M-2894	2	WASHER-HARD (10.2X18.5X2.5-MM THK)						
	8	1	5N-7887	1	BLOCK-CLAMP						
	9	1	1B-2713	1	BOLT (1/4-20X1.75-IN)						
	10	1	8B-2377	1	BOLT (1/4-20X2-IN)						
	11	1	0S-1590	1	BOLT (3/8-16X2-IN)						
	12	1	5N-8559	1	TUBE AS						
	13	1	032-1268	1	CONNECTOR (90-DEG)						
	14	1	5N-3089	1	CYLINDER-HYDRAULIC						
	15	1	5N-2049	1	FLANGE						
		1	8L-3873	1	GASKET						
	16	1	032-1267	1	CONNECTOR (STRAIGHT)						
	17	1	0S-1616	2	BOLT (1/4-20X1-IN)						
	18	1	4W-5069	1	BLOCK-CLAMP						
C	19	1	5N-2336	1	SHIELD						

C - CHANGE FROM PREVIOUS TYPE

AIR INLET AND EXHAUST SYSTEM

2W-4923 LINES GP-AIR SHUTOFF (contd.)

100968758



GRAPHIC #1

<END>

g00493976

AIR INLET AND EXHAUST SYSTEM

107-0861 LINES GP-TURBOCHARGER AIR

S/N: 50Y647-1304

PART OF 376-4849 ENGINE AR-COMplete

SMCS-1052, 1071

i06224767

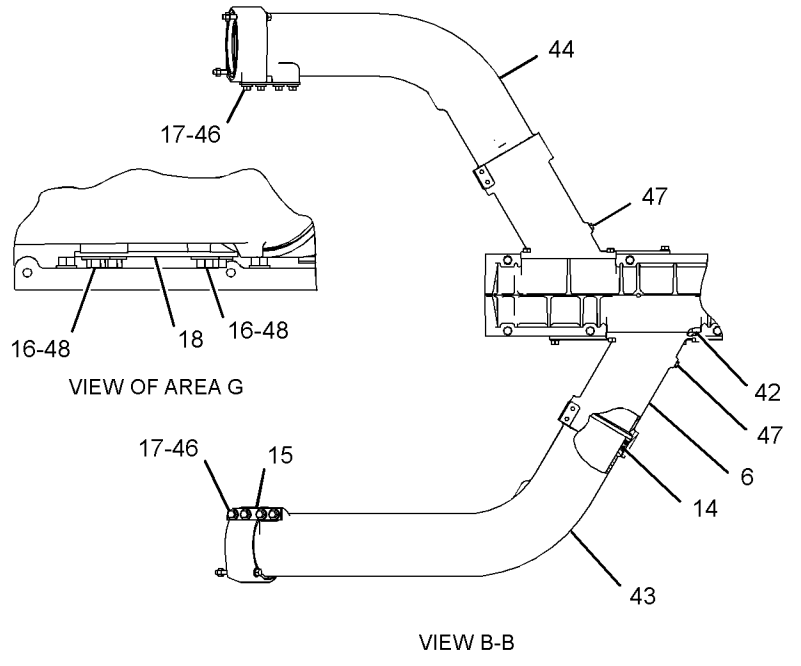
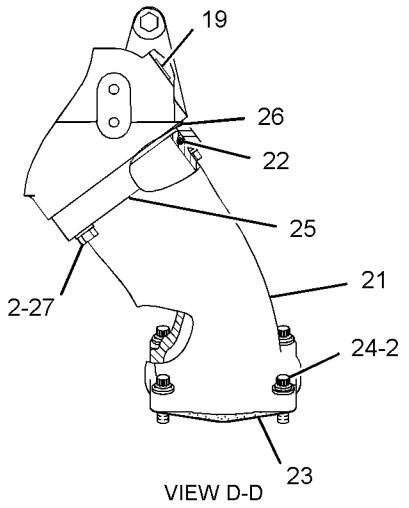
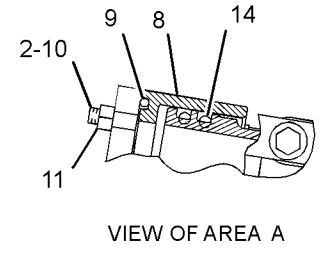
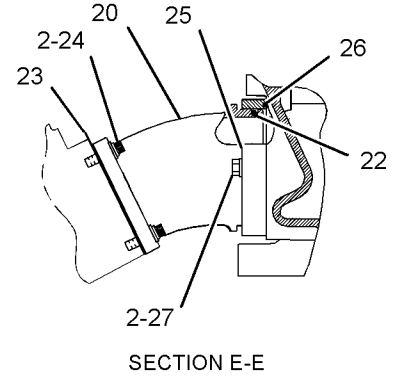
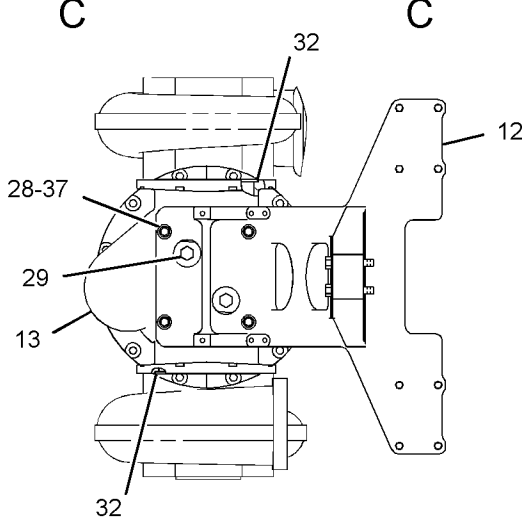
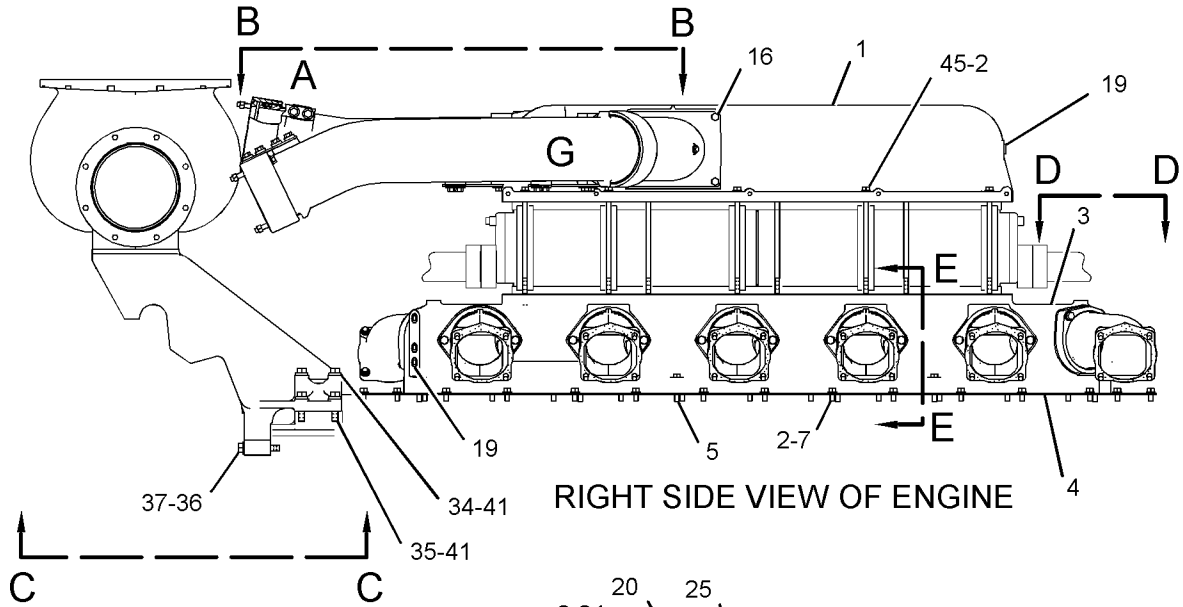
NOTE	REF NO	GRAPHIC REF	PART NUMBER	QTY	PART NAME						SEE PAGE
					1	2	3	4	5	6 (PRODUCT LEVEL)	
	1	1	111-2077	1	COVER						
	2	1	5M-2894	116	WASHER-HARD (10.2X18.5X2.5-MM THK)						
	3	1	283-9599	1	MANIFOLD (AIR INLET)						
	4	1	129-9528	1	PLATE						
	5	1	0S-1590	6	BOLT (3/8-16X2-IN)						
	6	1	122-3374	2	ELBOW (AIR INLET)						
	7	1	0S-0509	30	BOLT (3/8-16X0.75-IN)						
	8	1	4P-1531	2	FLANGE						
	9	1	6V-5054	2	SEAL-O-RING						
	10	1	0S-1608	4	BOLT (3/8-16X3.75-IN)						
	11	1	9S-8752	4	NUT-FULL (3/8-16-THD)						
C	12	1	135-6913	1	SUPPORT						
C	13	1	135-6912	1	ELBOW-EXHAUST						
	14	1	6V-5103	8	SEAL-O-RING						
	15	1	4P-1491	2	STRAP						
	16	1	0S-1594	16	BOLT (3/8-16X1-IN)						
	17	1	8M-9024	8	WASHER-HARD (10.2X22.5X5-MM THK)						
	18	1	111-2078	2	STRAP						
	19	1	8T-6762	8	PLUG-PIPE (1/2-14-THD)						
	20	1	7C-7909	10	ELBOW (AIR INLET)						
	21	1	7C-7910	2	ELBOW (AIR INLET)						
	22	1	6V-5101	12	SEAL-O-RING						
	23	1	7N-5080	12	GASKET-MANIFOLD						
	24	1	1T-0720	48	BOLT-12 POINT HEAD (3/8-16X1.25-IN)						
	25	1	7C-8199	12	FLANGE						
	26	1	4S-5898	12	SEAL-O-RING						
	27	1	2A-4639	24	BOLT (3/8-16X1.625-IN)						
C	28	1	5J-5793	4	BOLT-12 POINT HEAD (1/2-13X2-IN)						
	29	1	3J-5389	2	PLUG (EXTERNAL)						
	32	1	7E-2326	2	SEAL-RING						
	34	1	0S-1573	4	BOLT (1/2-13X4-IN)						
	35	1	1A-1460	4	BOLT (1/2-13X2-IN)						
	36	1	9X-8874	2	BOLT (1/2-13X3-IN)						
	37	1	5P-8245	6	WASHER-HARD (13.5X25.5X3-MM THK)						
	41	1	2M-0849	8	WASHER-HARD (13.5X25.5X5-MM THK)						
	42	1	109-7411	2	SEAL-O-RING						
	43	1	122-3376	1	PIPE-AIR						
	44	1	122-3375	1	PIPE-AIR						
	45	1	9F-2773	10	BOLT (3/8-16X8.5-IN)						
	46	1	1A-2029	8	BOLT (3/8-16X1.125-IN)						
	47	1	8T-6764	2	PLUG-PIPE (1/8-27-THD)						
	48	1	9L-9132	8	WASHER (10.2X25.5X2.5-MM THK)						

C - CHANGE FROM PREVIOUS TYPE

AIR INLET AND EXHAUST SYSTEM

107-0861 LINES GP-TURBOCHARGER AIR (contd.)

i06224767



GRAPHIC #1

<END>

g01526835

AIR INLET AND EXHAUST SYSTEM

2W-9588 LINES GP-TURBOCHARGER AIR

S/N: 50Y647-762

FOR USE WITH AIR SHIELD WATER COOLED EXHAUST SYSTEM

SMCS-1052, 1071

i07000885

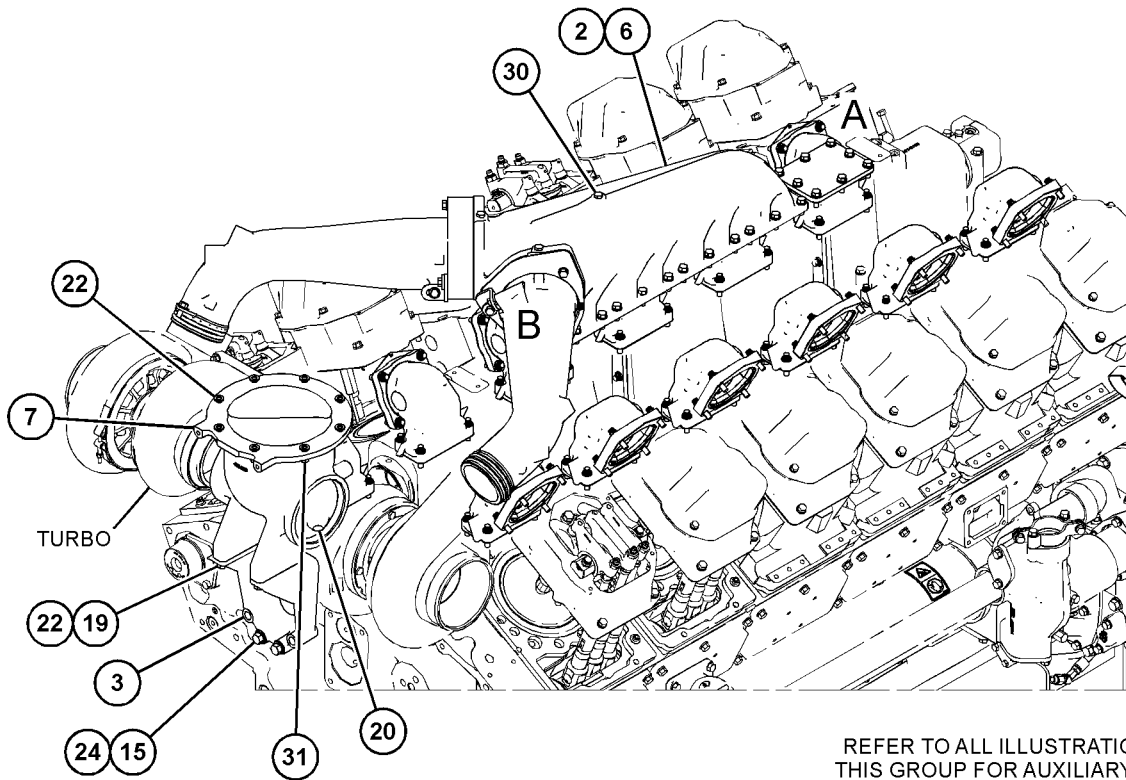
NOTE	REF NO	GRAPHIC REF	PART NUMBER	QTY	PART NAME						SEE PAGE
					1	2	3	4	5	6 (PRODUCT LEVEL)	
	1	1	1W-1250	1	COVER						
	2	1	1W-1251	5	GASKET						
	3	1	2W-1640	1	BRACKET						
	4	2	2W-9584	1	PIPE						
	5	2	2W-9585	1	PIPE						
	6	1	4W-0715	1	MANIFOLD-INLET						
	7	1	4W-1453	1	ELBOW-EXHAUST						
	8	2	4W-6964	2	BRACKET						
	9	2	7E-8550	2	FLANGE						
	10	1	7N-5080	12	GASKET-MANIFOLD						
	11	1	7N-5085	12	FLANGE						
	12	1	7N-5089	12	GASKET						
C	13	2	7W-1944	2	RETAINER						
	14	1	134-3804	12	ELBOW						
	15	1	0L-1329	2	BOLT (1/2-13X3-IN)						
C	16	2	0L-1351	2	BOLT (3/8-16X0.875-IN)						
	17	2	0S-1619	2	BOLT (3/8-16X3-IN)						
	18	2	0T-0573	4	BOLT (3/8-16X2.75-IN)						
	19	1,2	1A-2029	40	BOLT (3/8-16X1.125-IN)						
	20	1	3J-5389	2	PLUG (EXTERNAL)						
	21	2	3V-3308	2	WASHER-HARD (10.2X20.5X2.5-MM THK)						
C	22	1,2	5M-2894	148	WASHER-HARD (10.2X18.5X2.5-MM THK)						
	23	1	5P-0076	96	BOLT-12 POINT HEAD (3/8-16X1.5-IN)						
	24	1	5P-8245	2	WASHER-HARD (13.5X25.5X3-MM THK)						
	25	2	6V-3319	2	SEAL-O-RING						
	26	2	6V-3917	4	SEAL-O-RING						
	27	1	6V-5101	12	SEAL-O-RING						
	28	2	6V-5167	4	SEAL-O-RING						
	29	2	8M-7145	2	WASHER (10.2X28.5X5-MM THK)						
	30	1,2	8T-6765	3	PLUG-PIPE (1/4-18-THD)						
	31	1	9S-8752	8	NUT-FULL (3/8-16-THD)						

C - CHANGE FROM PREVIOUS TYPE

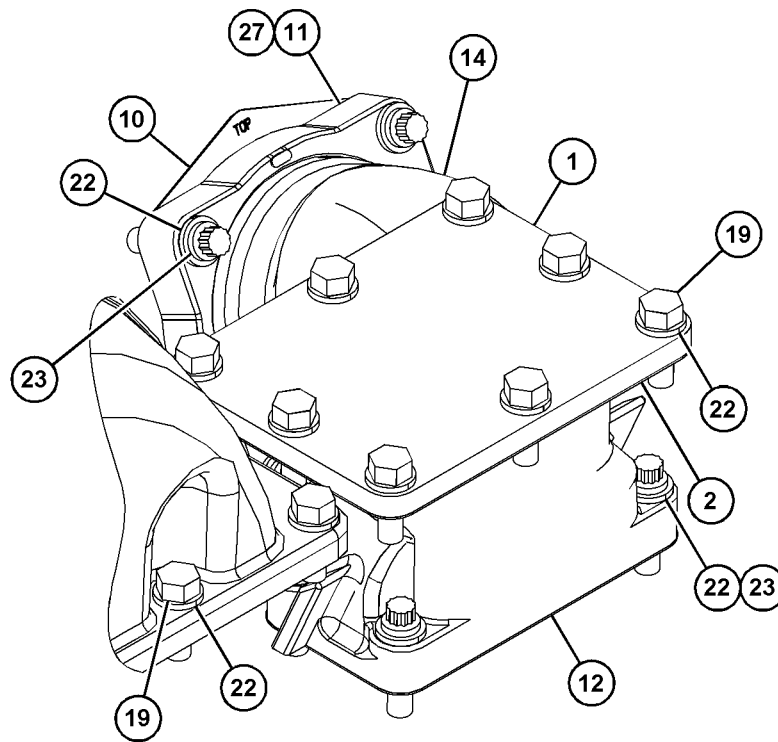
AIR INLET AND EXHAUST SYSTEM

2W-9588 LINES GP-TURBOCHARGER AIR (contd.)

i07000885



REFER TO ALL ILLUSTRATIONS OF THIS GROUP FOR AUXILIARY VIEWS



VIEW OF AREA A

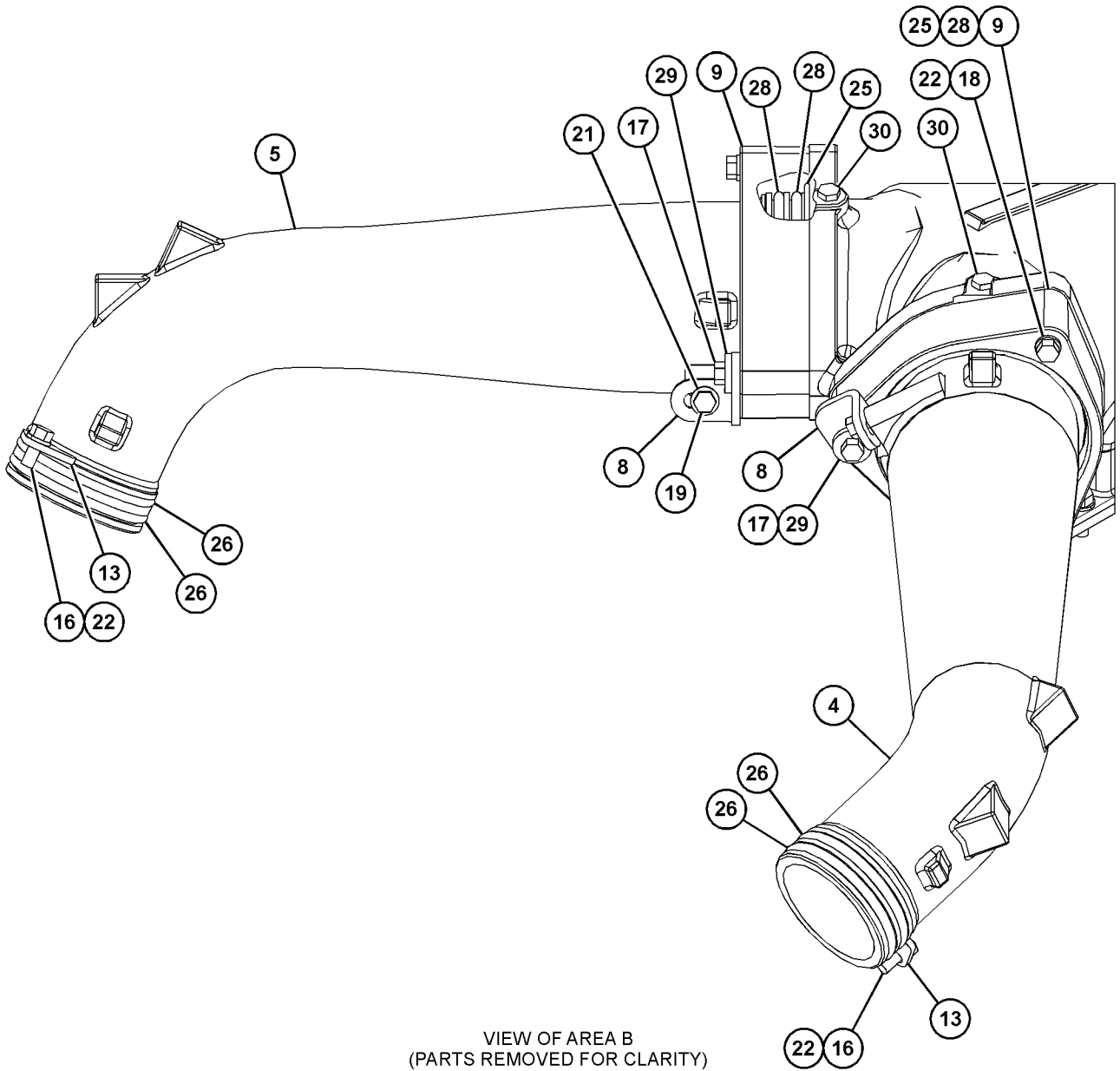
GRAPHIC #1

g06214477

AIR INLET AND EXHAUST SYSTEM

2W-9588 LINES GP-TURBOCHARGER AIR (contd.)

i07000885



GRAPHIC #2

<END>

g06214479

AIR INLET AND EXHAUST SYSTEM

4W-0712 LINES GP-TURBOCHARGER AIR

S/N: 50Y647

SMCS-1052, 1071

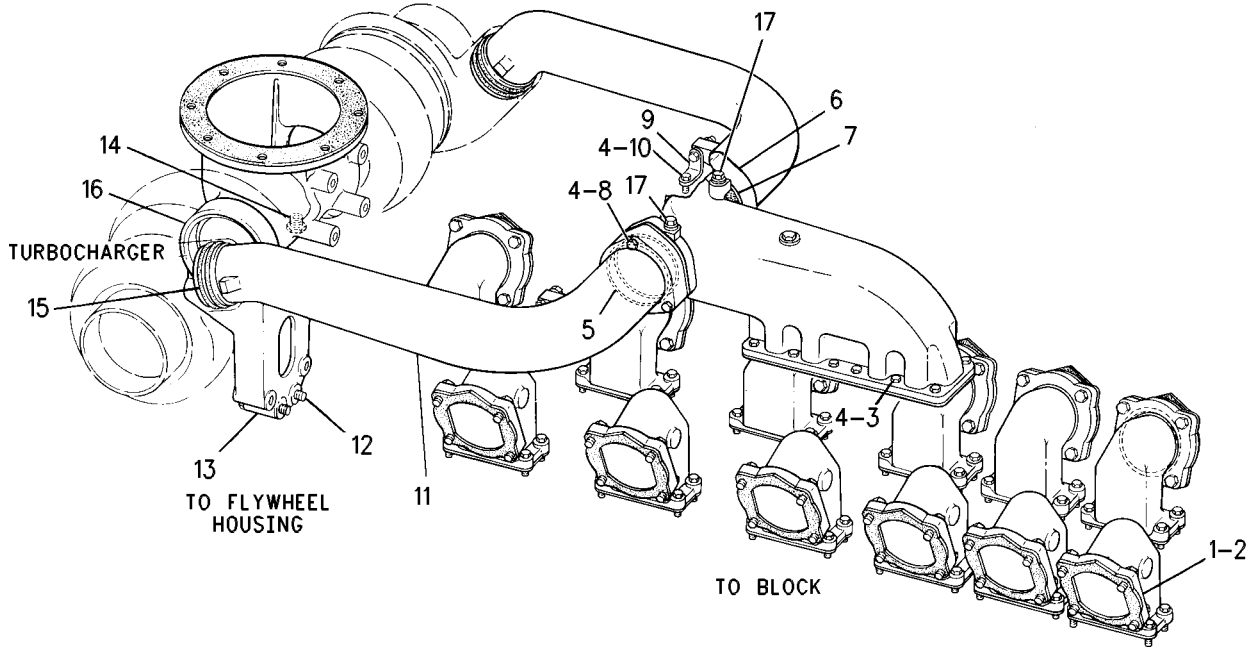
i00938631

NOTE	REF NO	GRAPHIC REF	PART NUMBER	QTY	PART NAME						SEE PAGE
					1	2	3	4	5	6 (PRODUCT LEVEL)	
	1	1	7N-5085	12	FLANGE						
	2	1	7N-5080	12	GASKET-MANIFOLD						
	3	1	1A-2029	12	BOLT (3/8-16X1.125-IN)						
	4	1	5M-2894	20	WASHER-HARD (10.2X18.5X2.5-MM THK)						
	5	1	6V-2695	2	SEAL-O-RING						
	6	1	7N-4897	2	FLANGE						
	7	1	7N-4895	2	GASKET						
	8	1	0L-1143	6	BOLT (3/8-16X2.5-IN)						
	9	1	7N-4896	2	BRACKET						
	10	1	0S-0509	2	BOLT (3/8-16X0.75-IN)						
	11	1	1N-4028	1	PIPE						
	12	1	0L-1329	2	BOLT (1/2-13X3-IN)						
		1	5P-8245	2	WASHER-HARD (13.5X25.5X3-MM THK)						
	13	1	2W-1640	1	BRACKET						
	14	1	4J-4382	2	PLUG-PIPE						
	15	1	5P-5700	2	SEAL-O-RING						
	16	1	4W-1453	1	ELBOW-EXHAUST						
	17	1	5M-6213	2	PLUG-PIPE (1/4-18-THD)						
	18	2	5L-3773	1	GASKET-EXHAUST ELBOW						
	19	2	0S-1594	4	BOLT (3/8-16X1-IN)						
	20	2	9S-8752	2	NUT-FULL (3/8-16-THD)						
	21	2	1N-4029	1	PIPE						
	22	2	5P-5700	2	SEAL-O-RING						
	23	2	0S-1571	2	BOLT (3/8-16X1.75-IN)						
	24	2	5M-2894	104	WASHER-HARD (10.2X18.5X2.5-MM THK)						
	25	2	5M-6213	1	PLUG-PIPE (1/4-18-THD)						
	26	2	4W-0716	1	MANIFOLD-AIR INLET						
	27	2	6V-2695	2	SEAL-O-RING						
	28	2	2W-6009	1	GASKET						
	29	2	5P-0076	96	BOLT-12 POINT HEAD (3/8-16X1.5-IN)						
	30	2	7N-5079	12	ELBOW						
	31	2	6V-5504	12	SEAL-O-RING						
	32	2	7N-5089	12	GASKET						

AIR INLET AND EXHAUST SYSTEM

4W-0712 LINES GP-TURBOCHARGER AIR (contd.)

i00938631



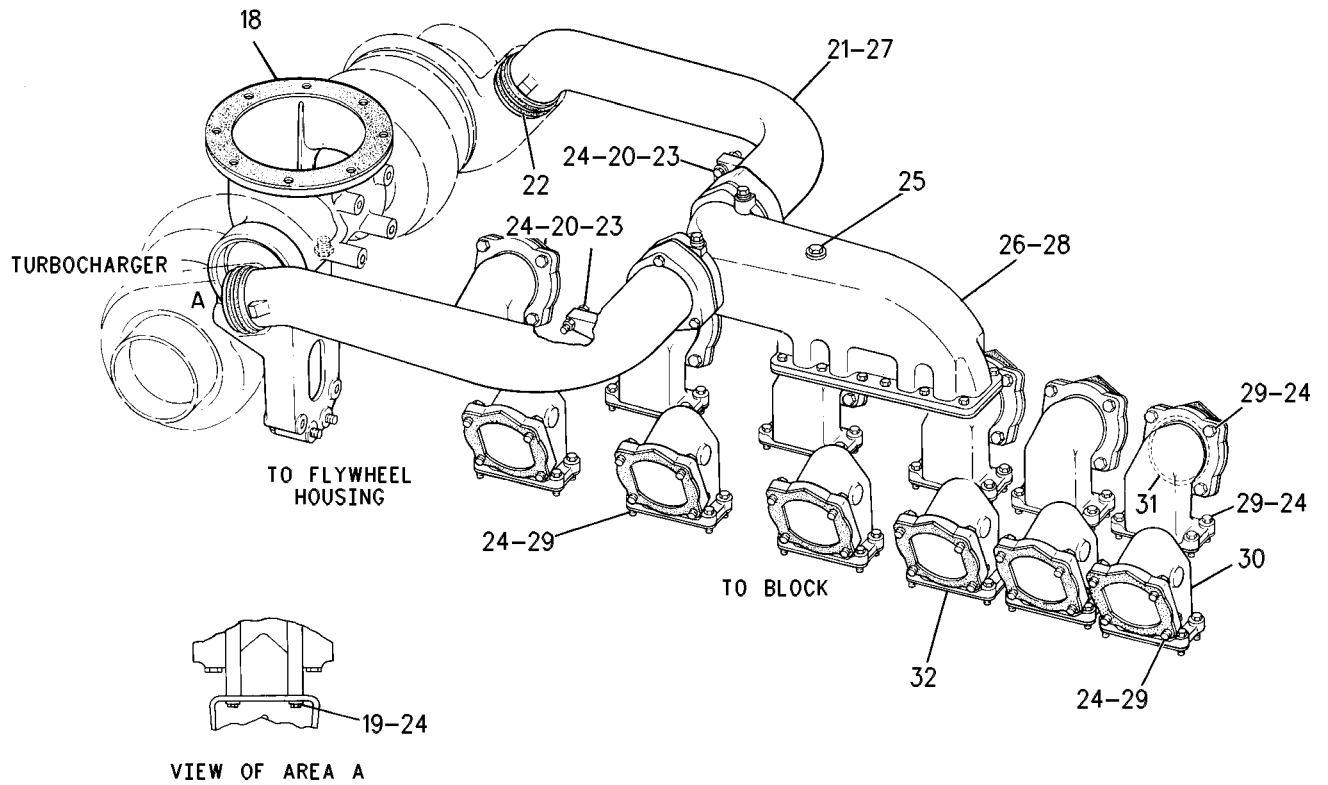
GRAPHIC #1

g00478254

AIR INLET AND EXHAUST SYSTEM

4W-0712 LINES GP-TURBOCHARGER AIR (contd.)

i00938631



GRAPHIC #2

<END>

g00478257

AIR INLET AND EXHAUST SYSTEM

4W-0712 LINES GP-TURBOCHARGER AIR

S/N: 66Z190-275

SMCS-1052, 1071

i04782577

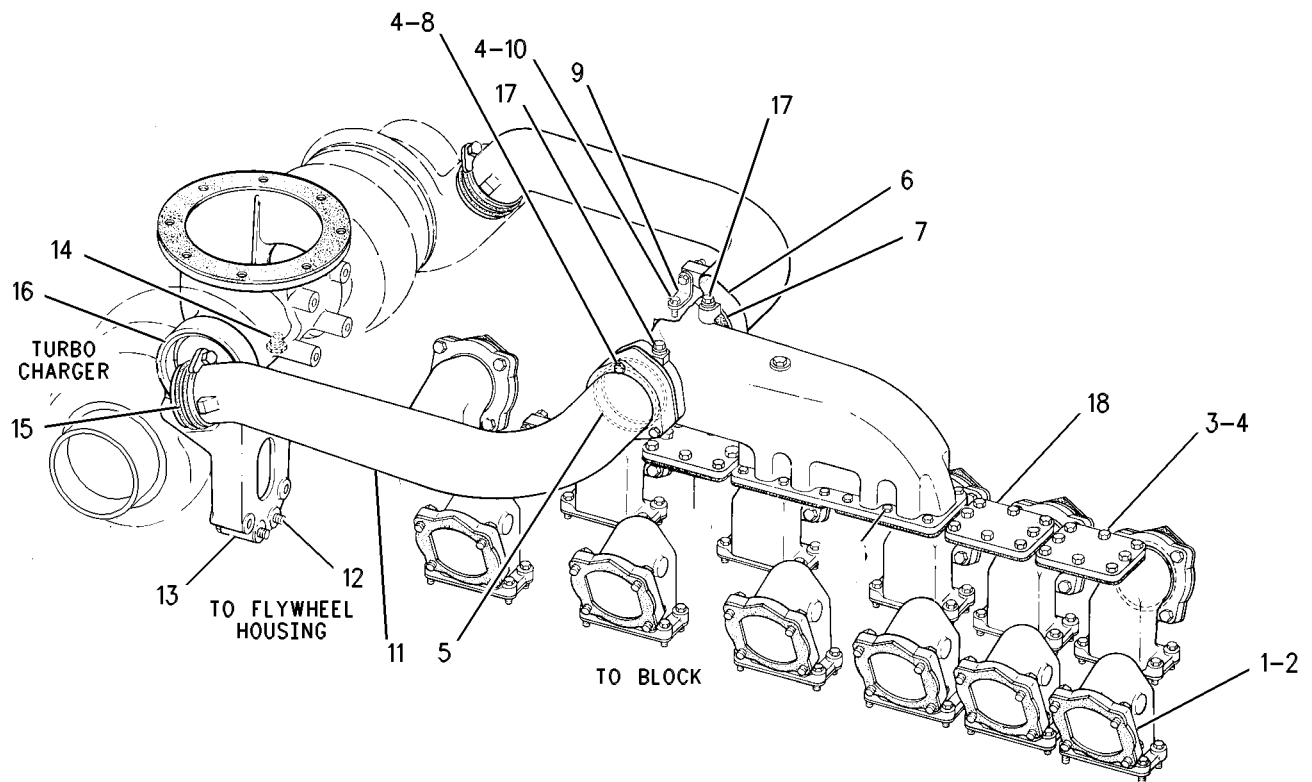
NOTE	REF NO	GRAPHIC REF	PART NUMBER	QTY	PART NAME						SEE PAGE
					1	2	3	4	5	6 (PRODUCT LEVEL)	
	1	1	7N-5085	12	FLANGE						
	2	1	7N-5080	12	GASKET-MANIFOLD						
	3	1	1A-2029	36	BOLT (3/8-16X1.125-IN)						
C	4	1	5M-2894	44	WASHER-HARD (10.2X18.5X2.5-MM THK)						
	5	1	6V-2695	2	SEAL-O-RING						
	6	1	7N-4897	2	FLANGE						
	7	1	7N-4895	2	GASKET						
	8	1	0L-1143	6	BOLT (3/8-16X2.5-IN)						
	9	1	7N-4896	2	BRACKET						
	10	1	0S-0509	2	BOLT (3/8-16X0.75-IN)						
	11	1	1N-4028	1	PIPE						
	12	1	0L-1329	2	BOLT (1/2-13X3-IN)						
		1	5P-8245	2	WASHER-HARD (13.5X25.5X3-MM THK)						
	13	1	2W-1640	1	BRACKET						
	14	1	3J-5389	2	PLUG (EXTERNAL)						
	15	1	5P-5700	2	SEAL-O-RING						
	16	1	4W-1453	1	ELBOW-EXHAUST						
	17	1	5M-6213	2	PLUG-PIPE (1/4-18-THD)						
	18	1	1W-1250	3	COVER						
		1	1W-1251	3	GASKET						
	19	2	5L-3773	1	GASKET-EXHAUST ELBOW						
	20	2	1A-2029	4	BOLT (3/8-16X1.125-IN)						
	21	2	9S-8752	2	NUT-FULL (3/8-16-THD)						
	22	2	1N-4029	1	PIPE						
	23	2	5P-5700	2	SEAL-O-RING						
	24	2	0S-1571	2	BOLT (3/8-16X1.75-IN)						
C	25	2	5M-2894	106	WASHER-HARD (10.2X18.5X2.5-MM THK)						
	26	2	5M-6213	1	PLUG-PIPE (1/4-18-THD)						
	27	2	4W-0716	1	MANIFOLD-AIR INLET						
	28	2	6V-2695	2	SEAL-O-RING						
	29	2	1W-1251	2	GASKET						
	30	2	5P-0076	96	BOLT-12 POINT HEAD (3/8-16X1.5-IN)						
	31	2	134-3804	12	ELBOW						
	32	2	6V-5101	12	SEAL-O-RING						
	33	2	7N-5089	12	GASKET						
C	34	2	0L-1351	2	BOLT (3/8-16X0.875-IN)						
C	35	2	7W-1944	2	RETAINER						
	36	2	5P-3860	2	CLAMP-HOSE						
	37	2	5N-4432	2	BOOT						

C - CHANGE FROM PREVIOUS TYPE

AIR INLET AND EXHAUST SYSTEM

4W-0712 LINES GP-TURBOCHARGER AIR (contd.)

i04782577



VIEWED FROM UPPER RIGHT
FRONT OF ENGINE

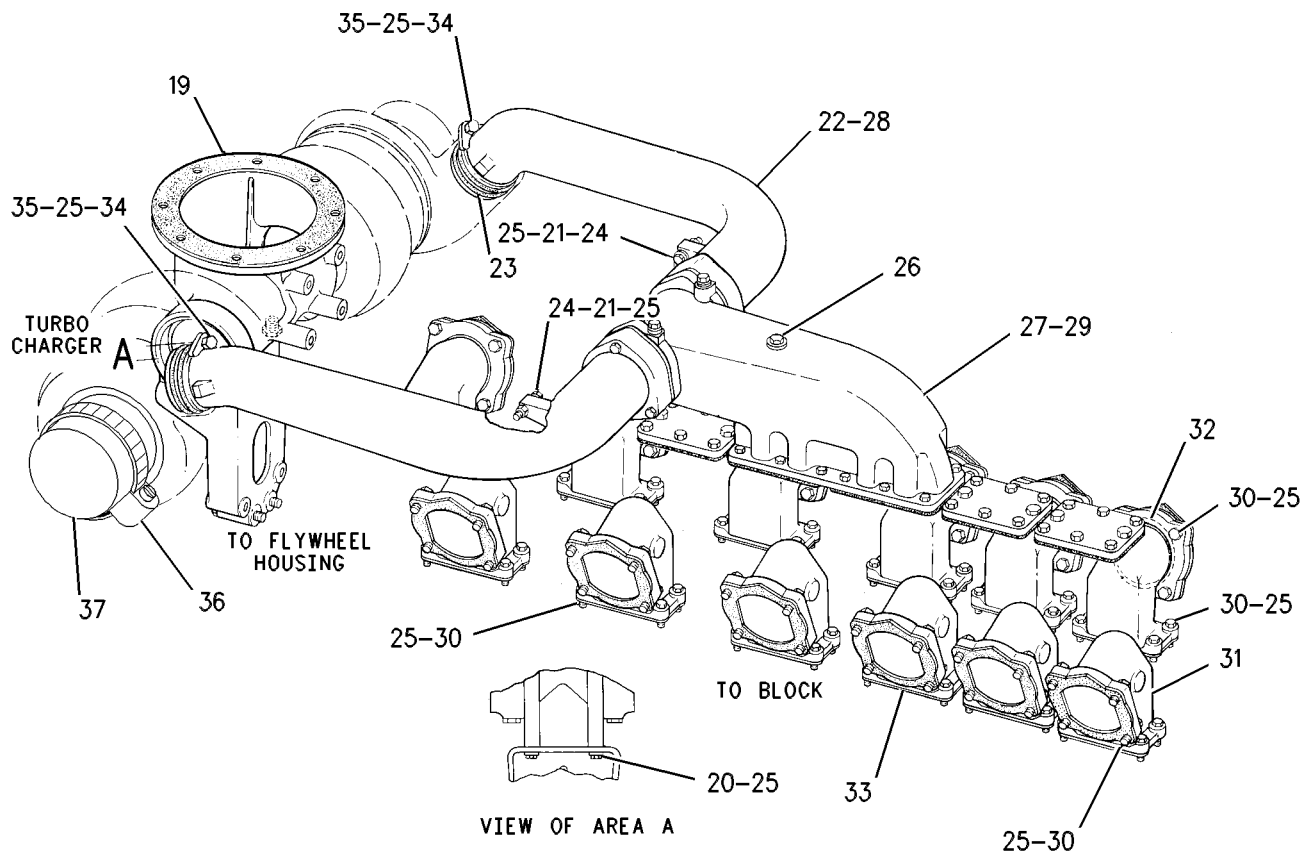
GRAPHIC #1

g00485860

AIR INLET AND EXHAUST SYSTEM

4W-0712 LINES GP-TURBOCHARGER AIR (contd.)

i04782577



VIEWED FROM UPPER RIGHT
FRONT OF ENGINE

GRAPHIC #2

<END>

g00485861

AIR INLET AND EXHAUST SYSTEM

107-7184 MANIFOLD GP-EXHAUST

S/N: 50Y647-1304

PART OF 376-4849 ENGINE AR-COMPLETE

SMCS-1059

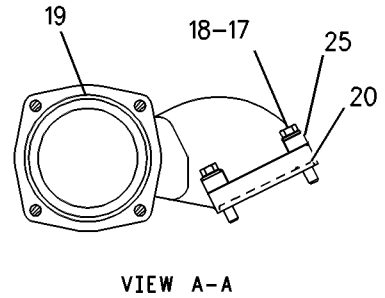
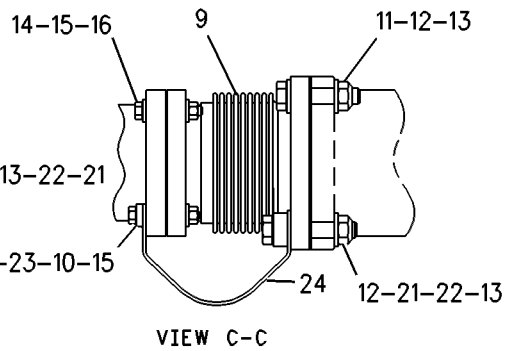
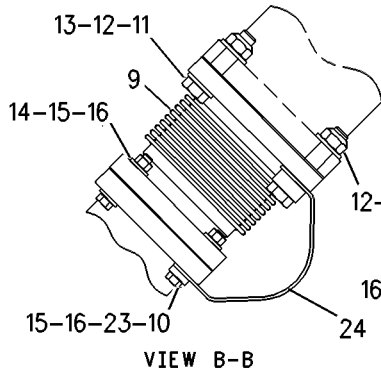
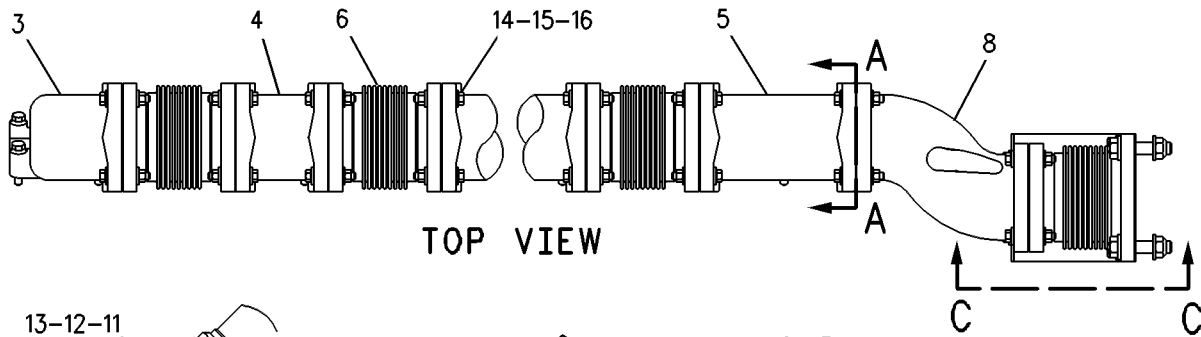
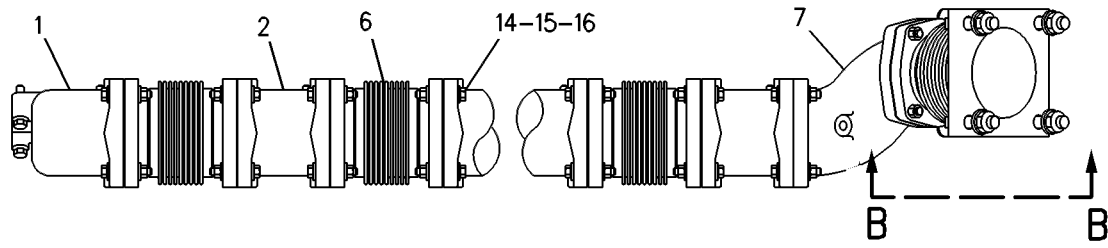
i07322673

NOTE	REF NO	GRAPHIC REF	PART NUMBER	QTY	PART NAME						SEE PAGE
					1	2	3	4	5	6	
	1	1	100-3145	1	MANIFOLD-EXHAUST (FRONT, RH)						
	2	1	100-3146	5	MANIFOLD-EXHAUST (INTERMEDIATE, RH)						
	3	1	100-3147	1	MANIFOLD-EXHAUST (FRONT, LH)						
	4	1	100-3148	4	MANIFOLD-EXHAUST (INTERMEDIATE, LH)						
	5	1	100-3149	1	MANIFOLD-EXHAUST (REAR, LH)						
	6	1	207-1364	10	BELLOWS AS						
	7	1	128-9506	1	ELBOW-EXHAUST (RH)						
	8	1	126-2209	1	ELBOW-EXHAUST (LH)						
	9	1	210-2532	2	BELLOWS AS						
	10	1	107-7954	4	SPACER (10.2X22X8-MM THK)						
	11	1	6V-4606	4	BOLT-HIGH TEMPERATURE (5/8-11X2.75-IN)						
	12	1	5P-8247	12	WASHER-HARD (17X32X3.5-MM THK)						
	13	1	6V-4605	8	LOCKNUT (5/8-11-THD)						
	14	1	7L-6443	92	BOLT-HIGH TEMPERATURE (3/8-16X2.25-IN)						
	15	1	110-8314	188	WASHER (10.3X18.3X2.66-MM THK)						
	16	1	3E-6916	96	NUT-FULL (3/8-16-THD)						
	17	1	9L-7373	48	BOLT-HIGH TEMPERATURE (3/8-16X2-IN)						
	18	1	5M-2894	48	WASHER-HARD (10.2X18.5X2.5-MM THK)						
	19	1	428-9130	24	GASKET						
	20	1	229-5332	12	SEAL						
	21	1	9X-8285	4	BOLT-HIGH TEMPERATURE (5/8-11X3.5-IN)						
	22	1	4P-2007	4	SPACER (17X32X11.5-MM THK)						
	23	1	5P-2755	4	BOLT-HIGH TEMPERATURE (3/8-16X2.75-IN)						
	24	1	107-6864	2	BRACKET						
	25	1	4P-7680	12	SPACER (10.5X22.5X15-MM THK)						

AIR INLET AND EXHAUST SYSTEM

107-7184 MANIFOLD GP-EXHAUST (contd.)

i07322673



GRAPHIC #1

<END>

g00944463

AIR INLET AND EXHAUST SYSTEM

285-8374 MANIFOLD GP-EXHAUST

S/N: 50Y647-1304

PART OF 357-0858 ENGINE AR-COMPLETE

SMCS-1059

i06650320

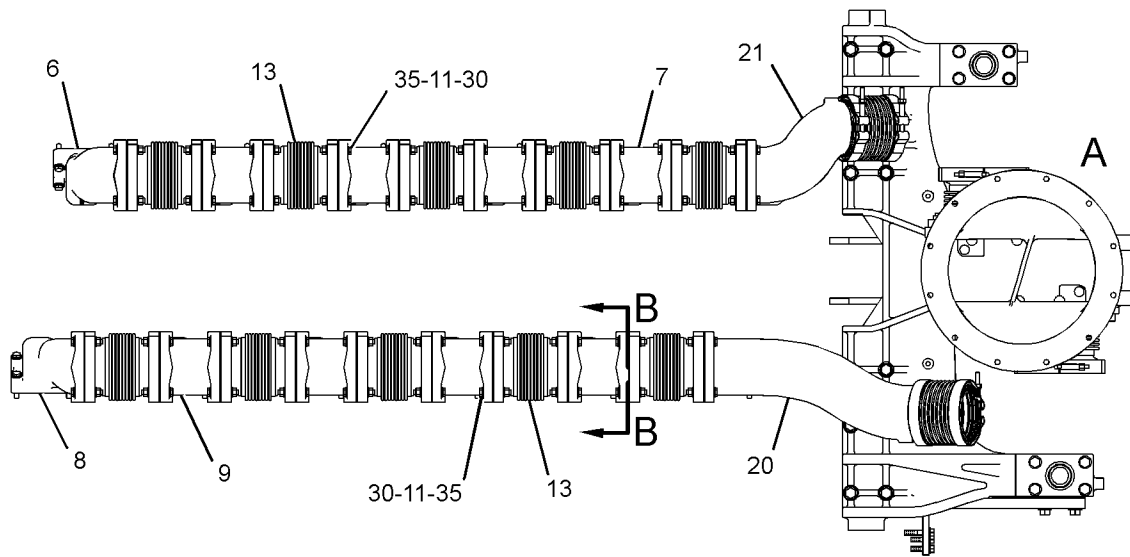
NOTE	REF NO	GRAPHIC REF	PART NUMBER	QTY	PART NAME						SEE PAGE
					1	2	3	4	5	6 (PRODUCT LEVEL)	
	1	1	4P-7680	12	SPACER (10.5X22.5X15-MM THK)						
	4	2	311-9236	2	CLAMP-BAND						
	5	1	9R-7882	8	SPACER (14X25X7-MM THK)						
	6	1	100-3145	1	MANIFOLD-EXHAUST (FRONT, RH)						
	7	1	100-3146	4	MANIFOLD-EXHAUST (INTERMEDIATE, RH)						
	8	1	100-3147	1	MANIFOLD-EXHAUST (FRONT, LH)						
	9	1	100-3148	4	MANIFOLD-EXHAUST (INTERMEDIATE, LH)						
	10	2	107-7954	12	SPACER (10.2X22X8-MM THK)						
	11	1	110-8314	160	WASHER (10.3X18.3X2.66-MM THK)						
	13	1	207-1364	10	BELLOWS AS						
C	14	1	428-9129	12	GASKET						
C	15	1	428-9130	20	GASKET						
C	16	1	374-8142	4	CLAMP-BAND						
C	17	1	374-8135	2	BELLOWS AS						
	18	2	276-4666	2	GASKET						
	19	2	311-3548	2	BELLOWS AS						
C	20	1	415-5863	1	MANIFOLD-EXHAUST (REAR, LH)						
C	21	1	415-5864	1	MANIFOLD-EXHAUST (REAR, RH)						
	22	2	282-4159	1	ELBOW-EXHAUST						
	23	2	316-2492	1	SUPPORT						
	24	2	284-1596	1	BRACKET AS						
	25	2	0S-1587	2	BOLT (1/2-13X1.75-IN)						
	26	2	0S-1590	1	BOLT (3/8-16X2-IN)						
	27	2	165-3929	4	BOLT (3/8-16X1.5-IN)						
	29	1	1A-5822	12	BOLT (1/2-13X2.75-IN)						
	30	1	3E-6916	80	NUT-FULL (3/8-16-THD)						
	31	2	3J-5389	3	PLUG (EXTERNAL)						
	32	1,2	5M-2894	57	WASHER-HARD (10.2X18.5X2.5-MM THK)						
C	33	1,2	5P-8245	18	WASHER-HARD (13.5X25.5X3-MM THK)						
	35	1,2	7L-6443	84	BOLT-HIGH TEMPERATURE (3/8-16X2.25-IN)						
	36	1	8C-3107	2	SEAL-O-RING						
	38	1	9H-8260	8	BOLT (1/2-13X6.25-IN)						
	39	2	9L-2295	12	BOLT-HIGH TEMPERATURE (3/8-16X1.5-IN)						
	40	1	9L-7373	48	BOLT-HIGH TEMPERATURE (3/8-16X2-IN)						
C	41	1	375-2758	4	GASKET-EXHAUST						
C	42	2	9X-8874	2	BOLT (1/2-13X3-IN)						
C	43	2	6V-1612	2	BOLT (1/2-13X9.75-IN)						
	44	1	485-5637	2	DOWEL						

C - CHANGE FROM PREVIOUS TYPE

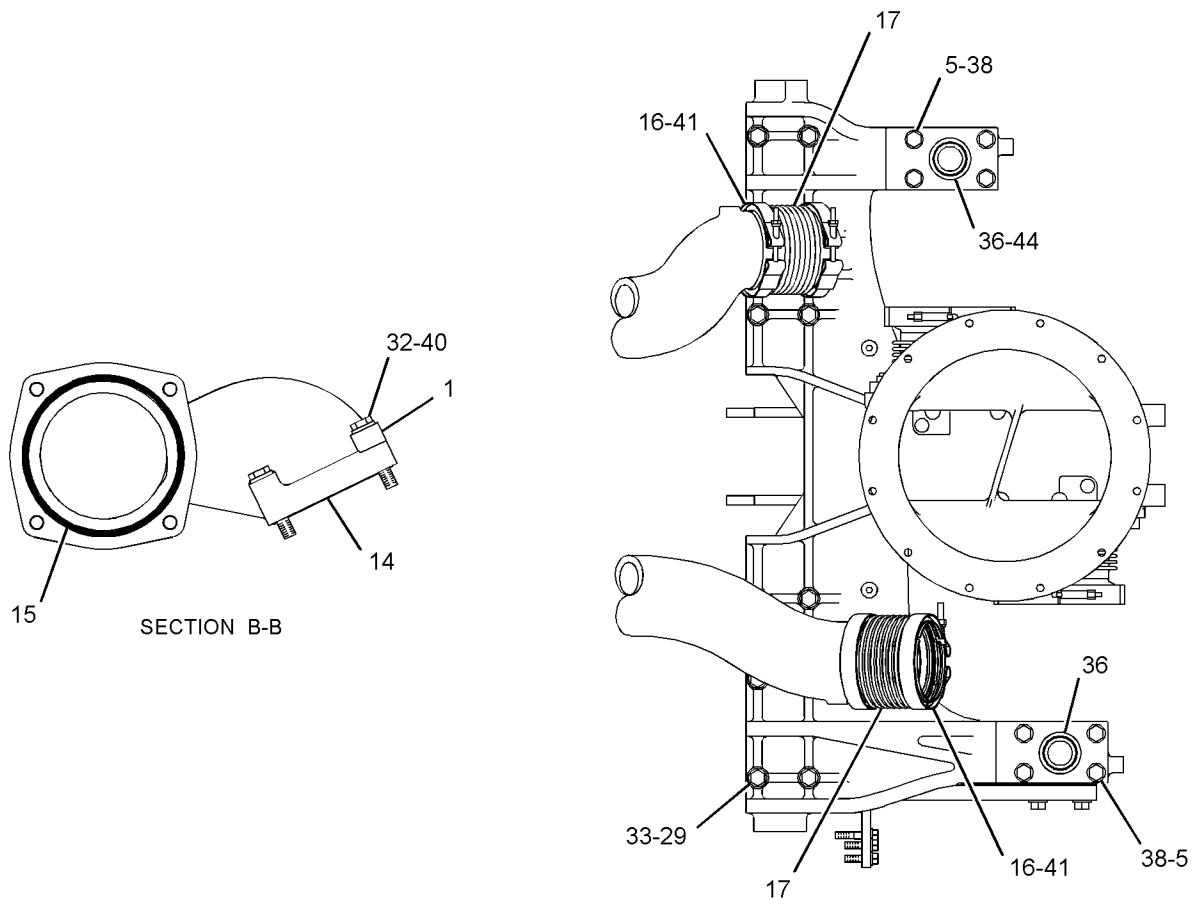
AIR INLET AND EXHAUST SYSTEM

285-8374 MANIFOLD GP-EXHAUST (contd.)

i06650320



TOP VIEW OF ENGINE



VIEW OF AREA A

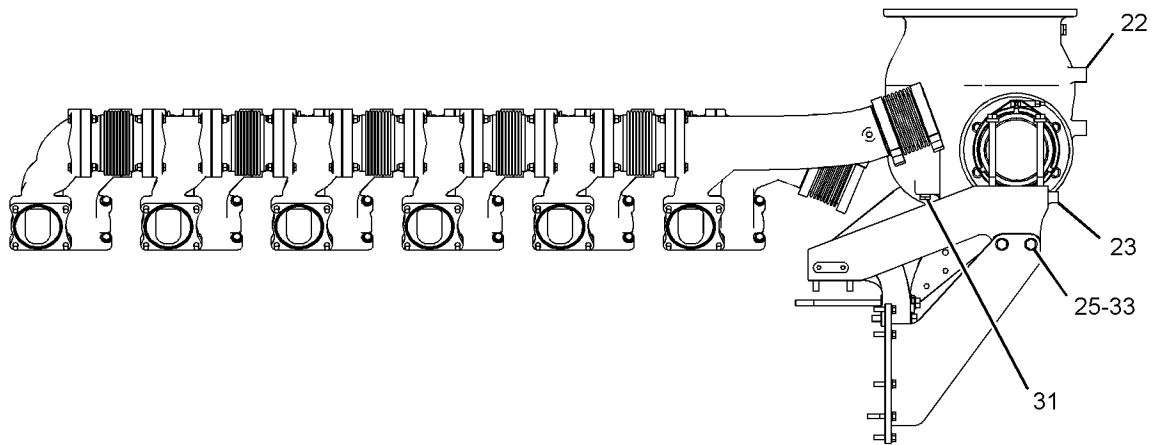
GRAPHIC #1

g06100808

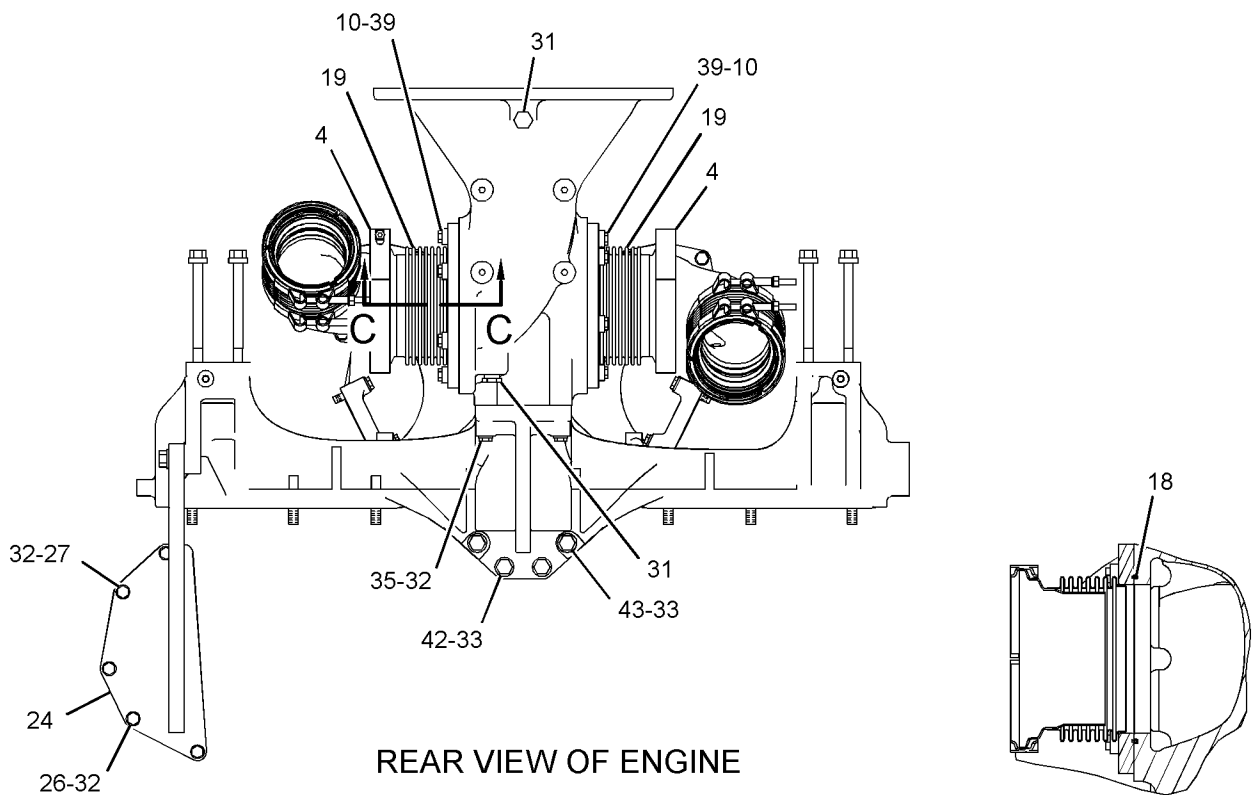
AIR INLET AND EXHAUST SYSTEM

285-8374 MANIFOLD GP-EXHAUST (contd.)

i06650320



LEFT SIDE VIEW OF ENGINE



REAR VIEW OF ENGINE

SECTION C-C

GRAPHIC #2

<END>

g03393292

AIR INLET AND EXHAUST SYSTEM

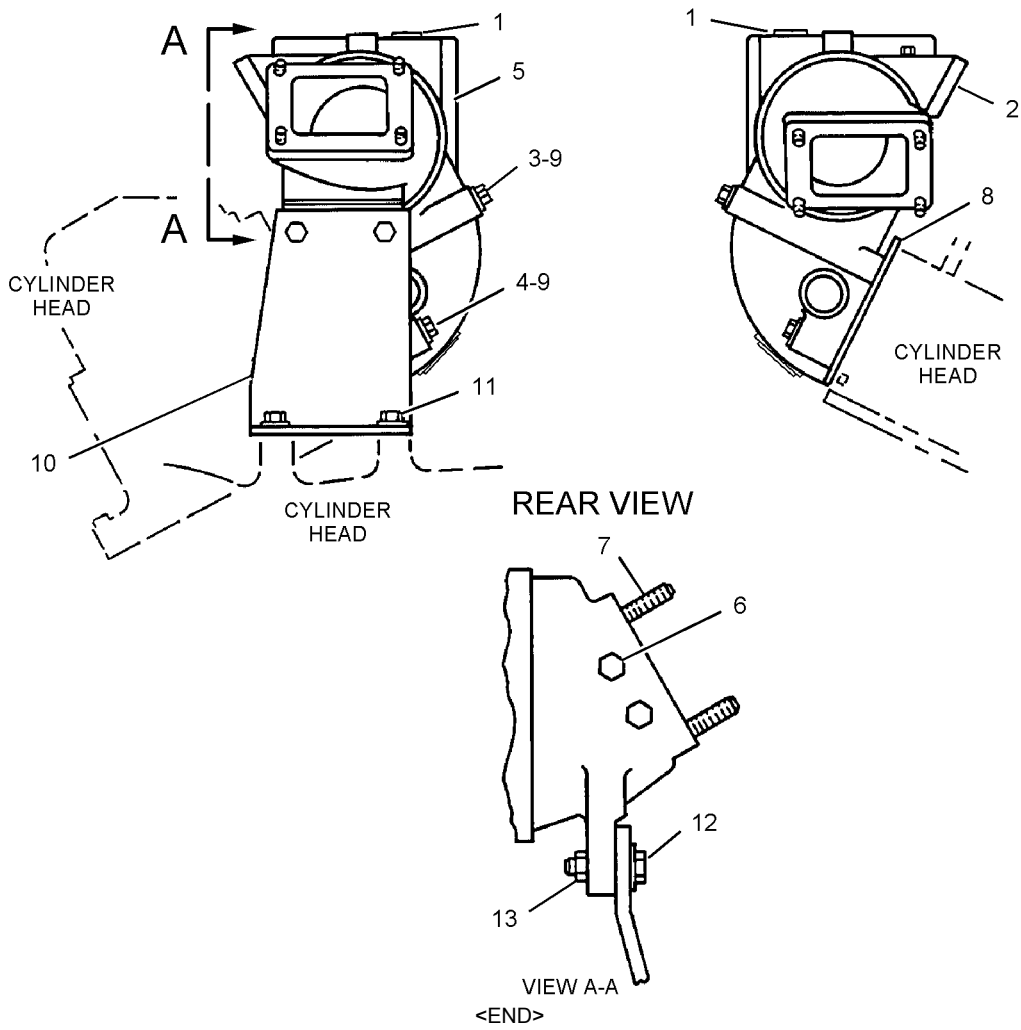
6I-0042 MANIFOLD GP-EXHAUST

S/N: 50Y1093-1304; 66Z495-578

SMCS - 1059

i01959492

NOTE	REF NO	GRAPHIC REF	PART NUMBER	QTY	PART NAME						SEE PAGE
					1	2	3	4	5	6	
	1	1	8T-6761	3	PLUG-PIPE (1-11-1/2 NPT THD)						
	2	1	6I-0046	1	MANIFOLD AS (RH)						
	3	1	1D-4706	24	BOLT (3/8-16X6-IN)						
	4	1	0L-2070	24	BOLT (3/8-16X2.25-IN)						
	5	1	6I-0047	1	MANIFOLD AS (LH)						
	6	1	5B-7890	4	PLUG-PIPE						
	7	1	6L-8562	8	STUD-TAPERLOCK (3/8-16X1.77-IN)						
	8	1	7E-1754	12	GASKET-EXHAUST MANIFOLD						
	9	1	5M-2894	48	WASHER-HARD (10.2X18.5X2.5-MM THK)						
	10	1	4W-3053	1	BRACKET						
	11	1	0S-1595	2	BOLT (1/2-13X1.25-IN)						
			7D-1649	2	WASHER-HARD (13.5X32X5-MM THK)						
	12	1	0S-1591	2	BOLT (3/8-16X1.5-IN)						
			9L-9132	2	WASHER (10.2X25.5X2.5-MM THK)						
	13	1	9S-8752	2	NUT-FULL (3/8-16-THD)						



GRAPHIC #1

g01018673

AIR INLET AND EXHAUST SYSTEM

8N-9799 MANIFOLD GP-EXHAUST

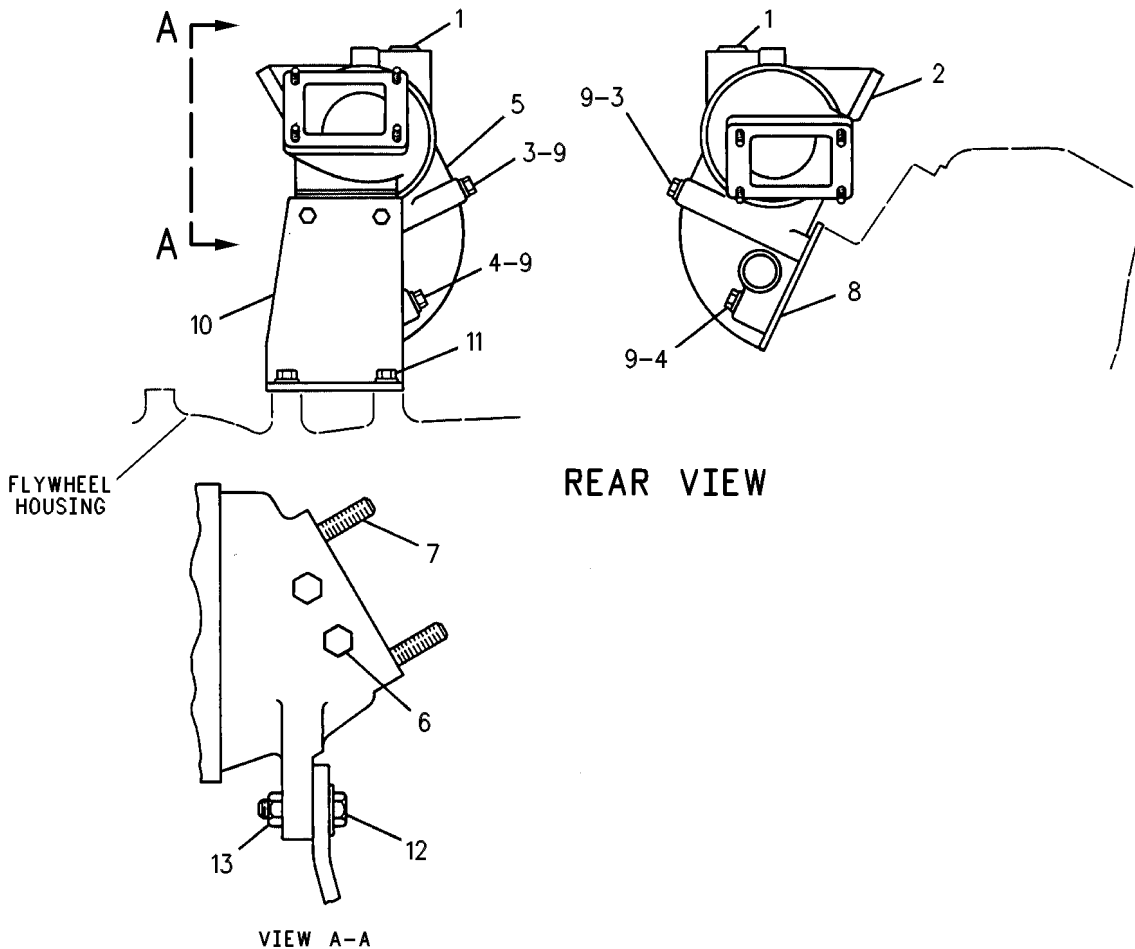
S/N: 50Y647-1092; 66Z190-494

SMCS-1059

i00654132

NOTE	REF NO	GRAPHIC REF	PART NUMBER	QTY	PART NAME						SEE PAGE
					1	2	3	4	5	6 (PRODUCT LEVEL)	
	1	1	3B-0551	3	PLUG-PIPE						
C	2	1	9Y-8683	1	MANIFOLD AS (RH)						
	3	1	1D-4706	24	BOLT (3/8-16X6-IN)						
	4	1	0L-2070	24	BOLT (3/8-16X2.25-IN)						
C	5	1	9Y-8684	1	MANIFOLD AS (LH)						
	6	1	5B-7890	4	PLUG-PIPE						
	7	1	6L-8562	8	STUD-TAPERLOCK (3/8-16X1.77-IN)						
	8	1	7E-1754	12	GASKET-EXHAUST MANIFOLD						
	9	1	5M-2894	48	WASHER-HARD (10.2X18.5X2.5-MM THK)						
C	10	1	4W-3053	1	BRACKET						
C	11	1	6H-1717	2	BOLT (1/2-13X1.125-IN)						
C		1	5P-1076	2	WASHER-HARD (13.5X30X4-MM THK)						
C	12	1	0S-1591	2	BOLT (3/8-16X1.5-IN)						
C		1	9L-9132	2	WASHER (10.2X25.5X2.5-MM THK)						
C	13	1	1D-4717	2	NUT (3/8-16-THD)						

C - CHANGE FROM PREVIOUS TYPE



REAR VIEW

VIEW A-A

GRAPHIC #1

<END>

g00261653

AIR INLET AND EXHAUST SYSTEM

141-7047 MUFFLER

304.8-MM ID
AN ATTACHMENT

SMCS-1062

i01333885

NOTE	REF NO	GRAPHIC REF	PART NUMBER	QTY	PART NAME	SEE PAGE
					1 2 3 4 5 6 (PRODUCT LEVEL)	
(NO SERVICED PARTS)						



GRAPHIC #1

<END>

g00705396

AIR INLET AND EXHAUST SYSTEM

2W-4075 MUFFLER

254-MM (10-INCH) ID

AN ATTACHMENT

SMCS-1062

i01906756

NOTE	REF NO	GRAPHIC REF	PART NUMBER	QTY	PART NAME						SEE PAGE
					1	2	3	4	5	6 (PRODUCT LEVEL)	
(NO SERVICED PARTS)											



GRAPHIC #1

<END>

g00993159

AIR INLET AND EXHAUST SYSTEM

2W-4076 MUFFLER

304.8-MM ID
AN ATTACHMENT

SMCS-1062

i01094755

NOTE	REF NO	GRAPHIC REF	PART NUMBER	QTY	PART NAME	SEE PAGE
					1 2 3 4 5 6 (PRODUCT LEVEL)	
(NO SERVICED PARTS)						



GRAPHIC #1

<END>

g00575313

AIR INLET AND EXHAUST SYSTEM

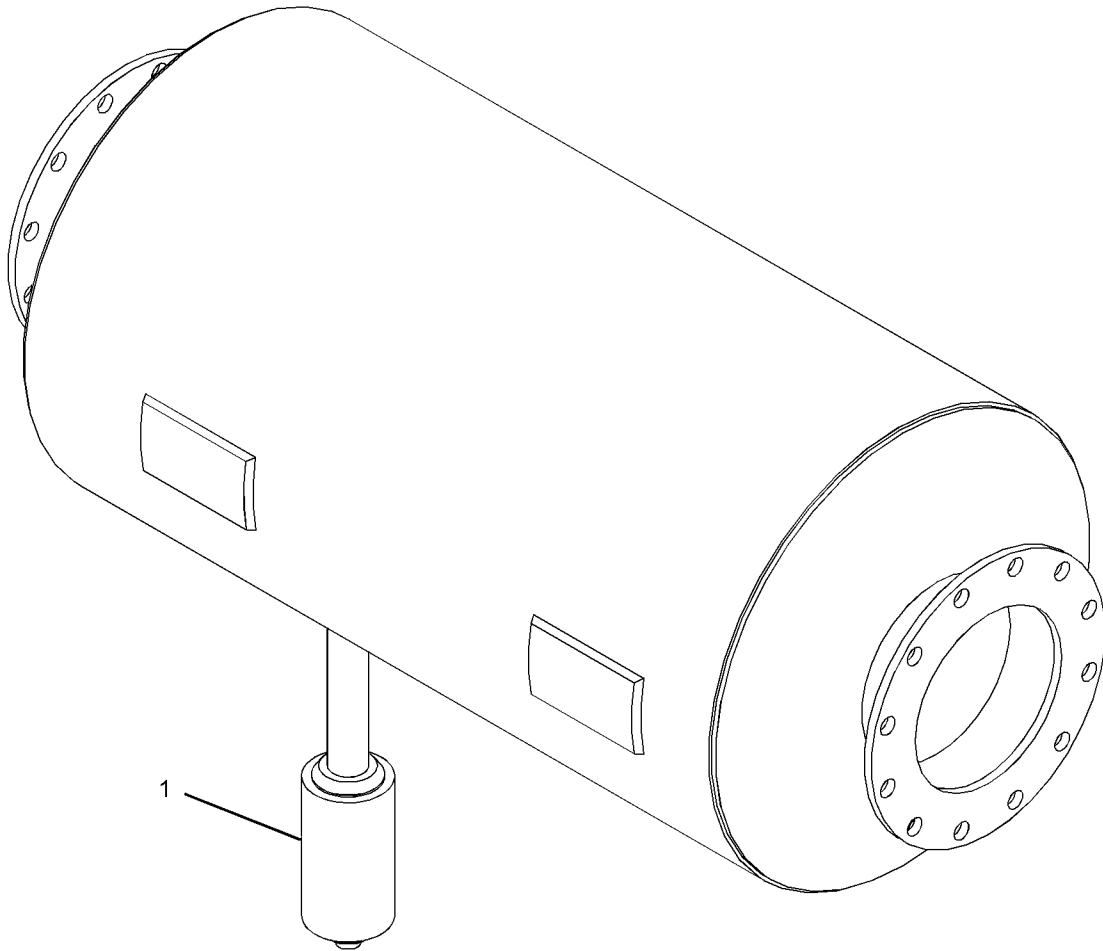
152-0596 MUFFLER GP-SPARK ARRESTOR

S/N: 50Y647-1304
254-MM (10-IN) ID
AN ATTACHMENT

SMCS-1062

i07043563

NOTE	REF NO	GRAPHIC REF	PART NUMBER	QTY	PART NAME						SEE PAGE
					1	2	3	4	5	6 (PRODUCT LEVEL)	
	1	1	346-9090	1	ARRESTOR-SPARK						



GRAPHIC #1

<END>

g02042093

AIR INLET AND EXHAUST SYSTEM

290-7161 SHIELD AS-HEAT

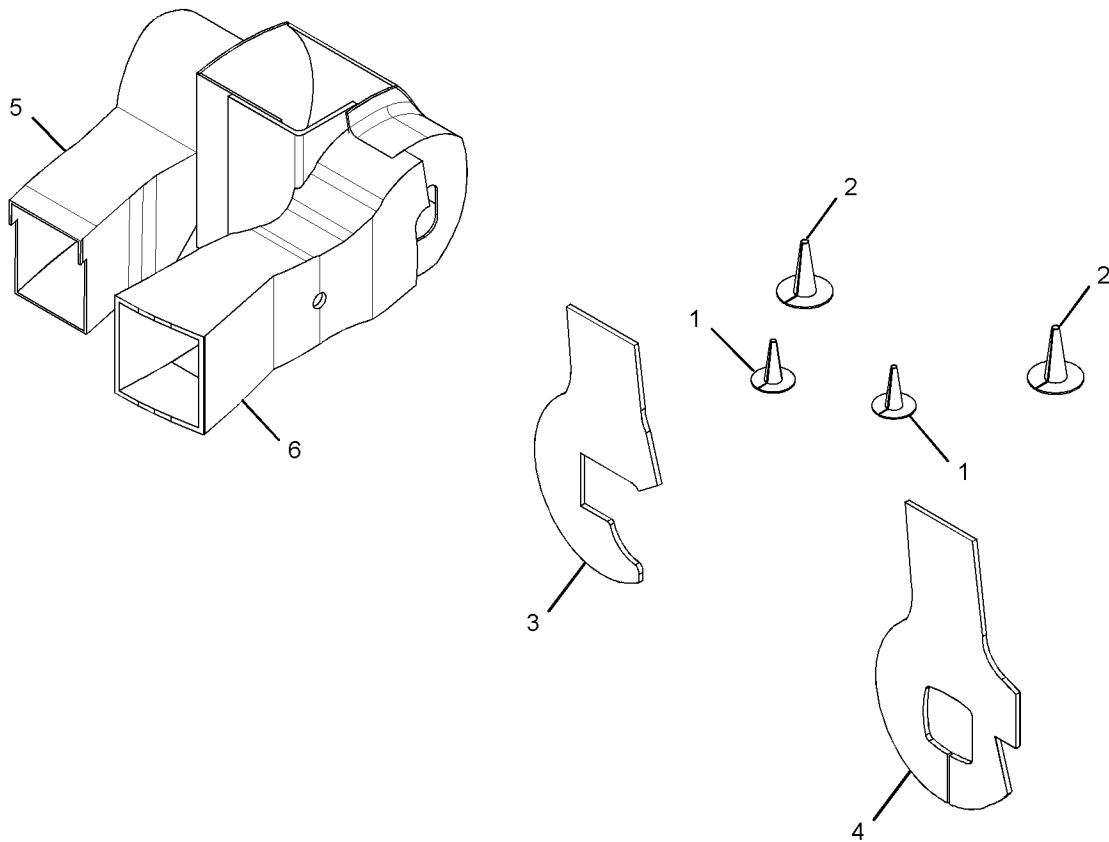
S/N: 50Y647-1304

PART OF 296-0618 SHIELD GP-TURBOCHARGER

SMCS-1067

i03394823

NOTE	REF NO	GRAPHIC REF	PART NUMBER	QTY	PART NAME						SEE PAGE
					1	2	3	4	5	6 (PRODUCT LEVEL)	
	1	1	292-4331	2	SHIELD-HEAT						
	2	1	317-6289	2	SHIELD-HEAT						
	3	1	317-6307	1	SHIELD-TURBOCHARGER						
	4	1	317-6308	1	SHIELD-TURBOCHARGER						
	5	1	317-6309	1	SHIELD						
	6	1	317-6310	1	SHIELD						



GRAPHIC #1

<END>

g01784674

AIR INLET AND EXHAUST SYSTEM

141-6749 SHIELD GP-EXHAUST

S/N: 50Y647-1304

PART OF 376-3116 CONVERSION AR-ENGINE, 376-4849 ENGINE AR-COMPLETE

SMCS-1067

i02508031

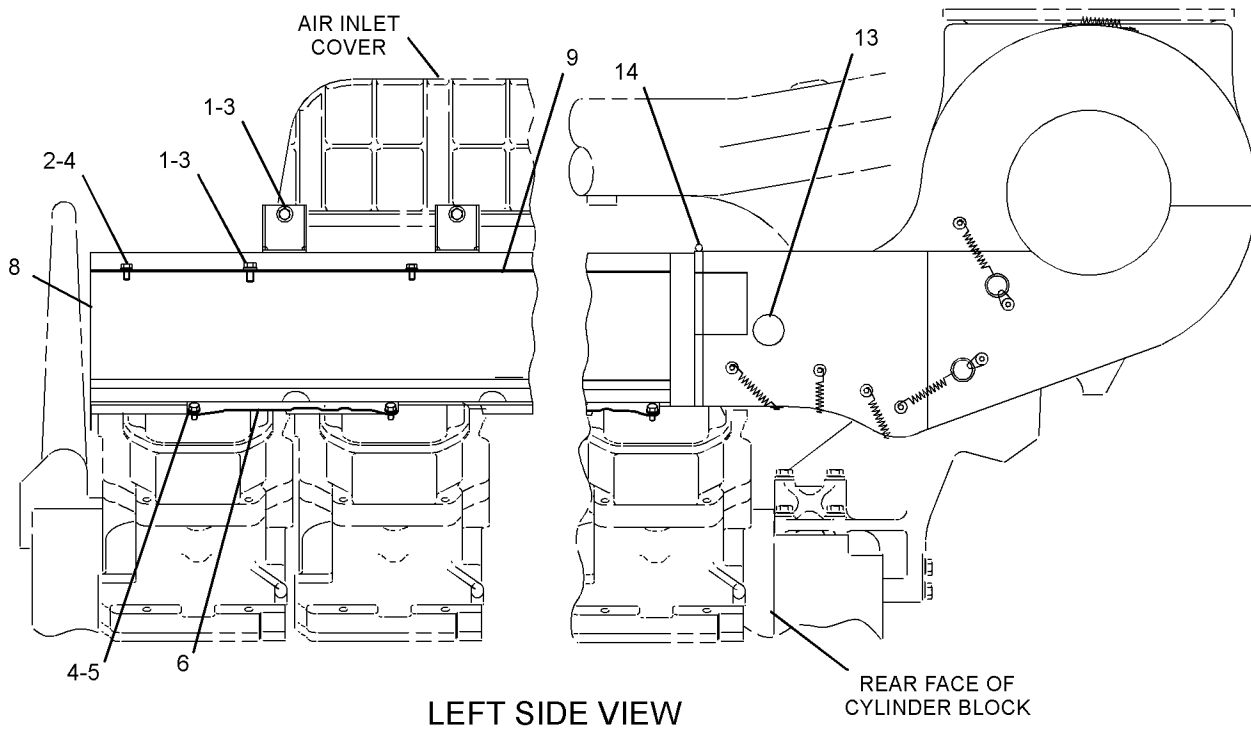
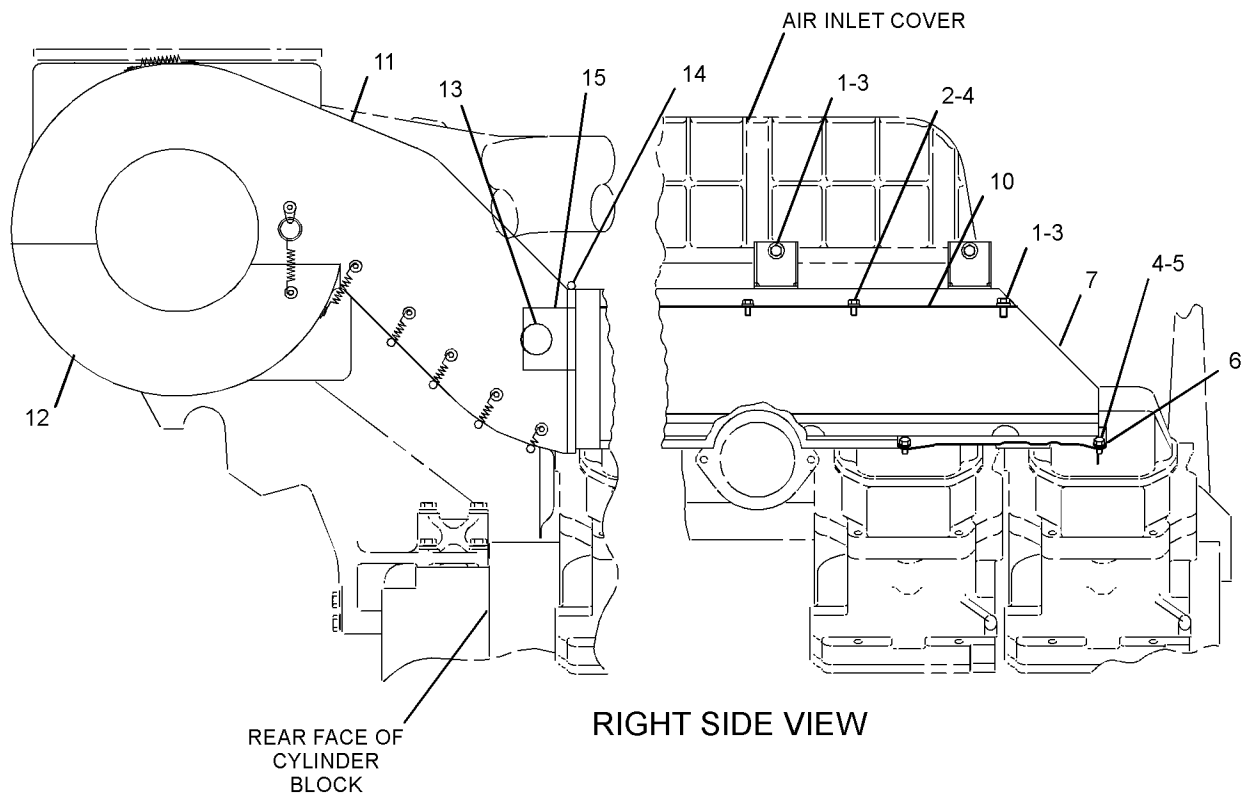
NOTE	REF NO	GRAPHIC REF	PART NUMBER	QTY	PART NAME						SEE PAGE
					1	2	3	4	5	6 (PRODUCT LEVEL)	
C	1	1	0S-0509	12	BOLT (3/8-16X0.75-IN)						
C	2	1	5P-4116	14	WASHER-HARD (8.8X20.5X2-MM THK)						
C	3	1	9X-6458	12	WASHER-HARD (10.2X22.5X3-MM THK)						
C	4	1	2H-3755	26	BOLT (5/16-18X0.43-IN)						
	5	1	9M-1974	12	WASHER-HARD (8.8X16X2-MM THK)						
	6	1	7W-7336	6	GUIDE-SHIELD						
	7	1	112-3589	1	SHIELD AS-EXHAUST (OUTER RH, FRONT)						
	8	1	112-3590	1	SHIELD AS-EXHAUST (OUTER LH, FRONT)						
	9	1	141-9281	1	SHIELD AS-EXHAUST (INNER RH, FRONT)						
		1	6V-5044	1	NUT-WELD (5/16-18-THD)						
	10	1	141-9280	1	SHIELD AS-EXHAUST (INNER LH, FRONT)						
		1	6V-5044	1	NUT-WELD (5/16-18-THD)						
C	11	1	232-4442	1	SHIELD AS						
C	12	1	232-4443	1	SHIELD AS						
C	13	1	232-4448	2	SHIELD AS-HEAT						
C	14	1	232-4449	2	STRAP						
	15	1	284-3920	2	SHIELD						

C - CHANGE FROM PREVIOUS TYPE

AIR INLET AND EXHAUST SYSTEM

141-6749 SHIELD GP-EXHAUST (contd.)

i02508031



GRAPHIC #1

<END>

g01258892

AIR INLET AND EXHAUST SYSTEM

261-7294 SHIELD GP-EXHAUST

S/N: 50Y647-1304

PART OF 357-0858 ENGINE AR-COMplete

SMCS-1067

i03664143

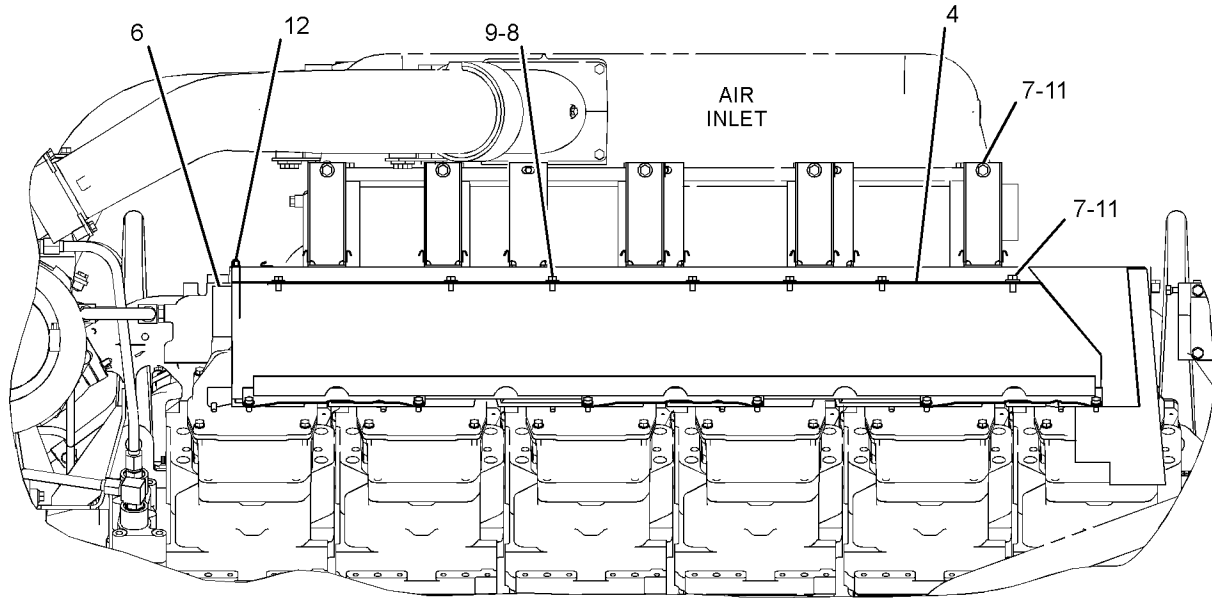
NOTE	REF NO	GRAPHIC REF	PART NUMBER	QTY	PART NAME	SEE PAGE
					1 2 3 4 5 6 (PRODUCT LEVEL)	
	1	1	7W-7336	6	GUIDE-SHIELD	
	2	1	312-0307	1	SHIELD AS-EXHAUST (OUTER RH, FRONT) (OUTER RH, FRONT)	
	3	1	312-0308	1	SHIELD AS-EXHAUST (OUTER LH, FRONT) (OUTER LH, FRONT)	
	4	1	261-7291	1	SHIELD AS-EXHAUST (INNER RH, FRONT)	
	5	1	261-7293	1	SHIELD AS-EXHAUST (INNER LH, FRONT)	
	6	1	301-4515	2	SHIELD	
B	7	1	0S-0509	12	BOLT (3/8-16X0.75-IN)	
	8	1	2H-3755	25	BOLT (5/16-18X0.43-IN)	
	9	1	5P-4116	13	WASHER-HARD (8.8X20.5X2-MM THK)	
	10	1	9M-1974	12	WASHER-HARD (8.8X16X2-MM THK)	
B	11	1	9X-6458	12	WASHER-HARD (10.2X22.5X3-MM THK)	
	12	1	232-4449	2	STRAP	

B - USE AS REQUIRED

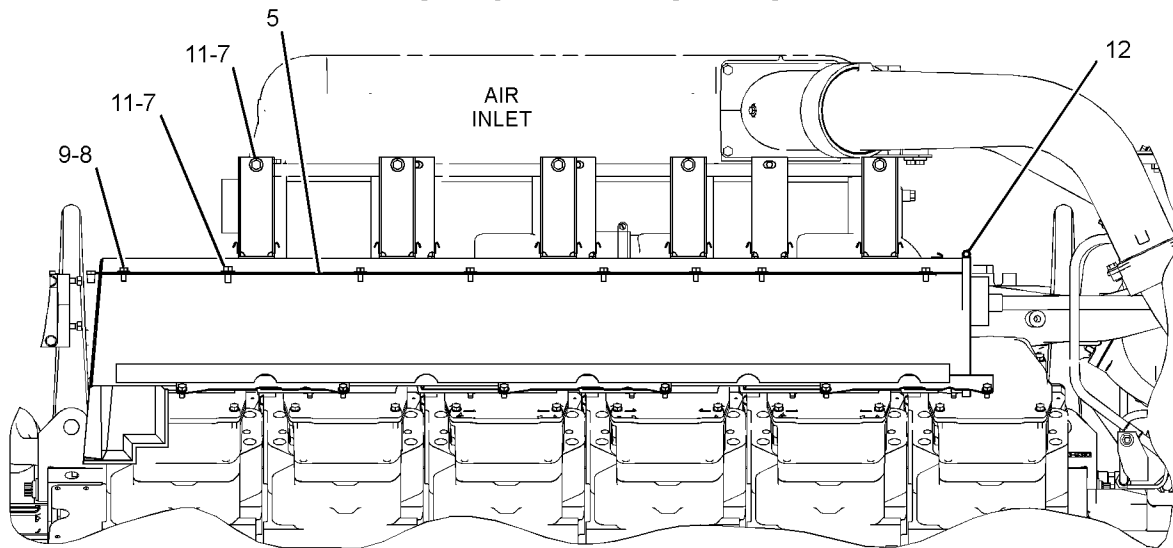
AIR INLET AND EXHAUST SYSTEM

261-7294 SHIELD GP-EXHAUST (contd.)

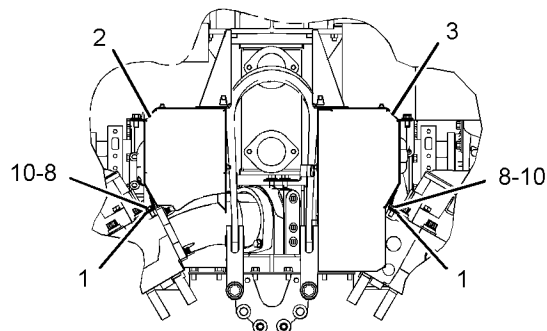
103664143



RIGHT SIDE VIEW OF ENGINE



LEFT SIDE VIEW OF ENGINE



FRONT VIEW OF ENGINE

GRAPHIC #1

<END>

g02034893

AIR INLET AND EXHAUST SYSTEM

317-1707 SHIELD GP-EXHAUST

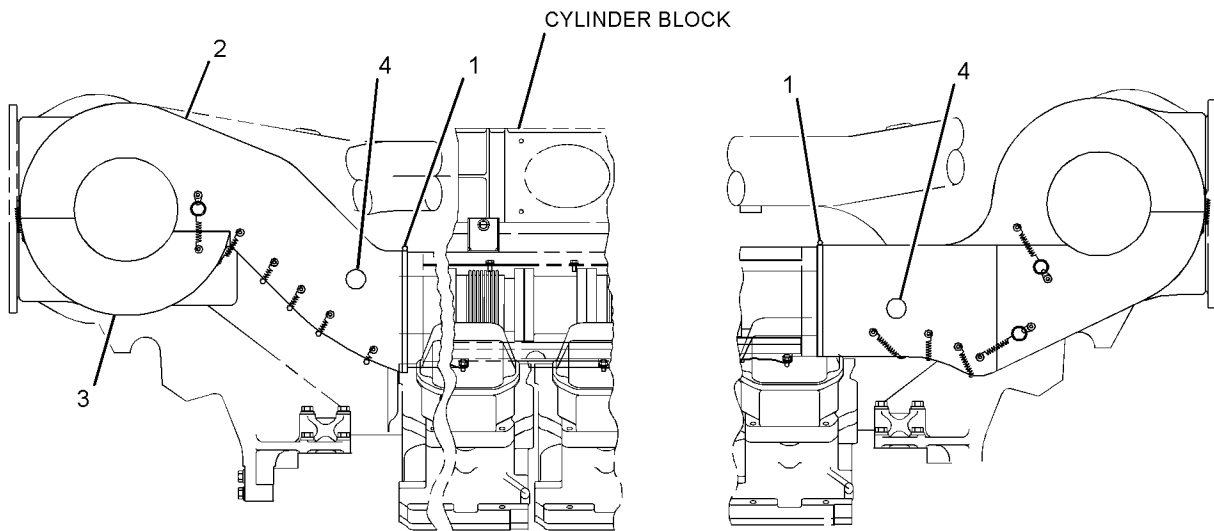
S/N: 50Y647-1304

PART OF 376-3116 CONVERSION AR-ENGINE

SMCS-1067

i02954083

NOTE	REF NO	GRAPHIC REF	PART NUMBER	QTY	PART NAME						SEE PAGE
					1	2	3	4	5	6 (PRODUCT LEVEL)	
	1	1	232-4449	2	STRAP						
	2	1	232-5235	1	SHIELD AS-HEAT (BOTTOM)						
	3	1	232-5236	1	SHIELD AS-HEAT (TOP)						
	4	1	292-4331	2	SHIELD-HEAT						



RIGHT SIDE VIEW OF ENGINE

LEFT SIDE VIEW OF ENGINE

GRAPHIC #1

<END>

g01480352

AIR INLET AND EXHAUST SYSTEM

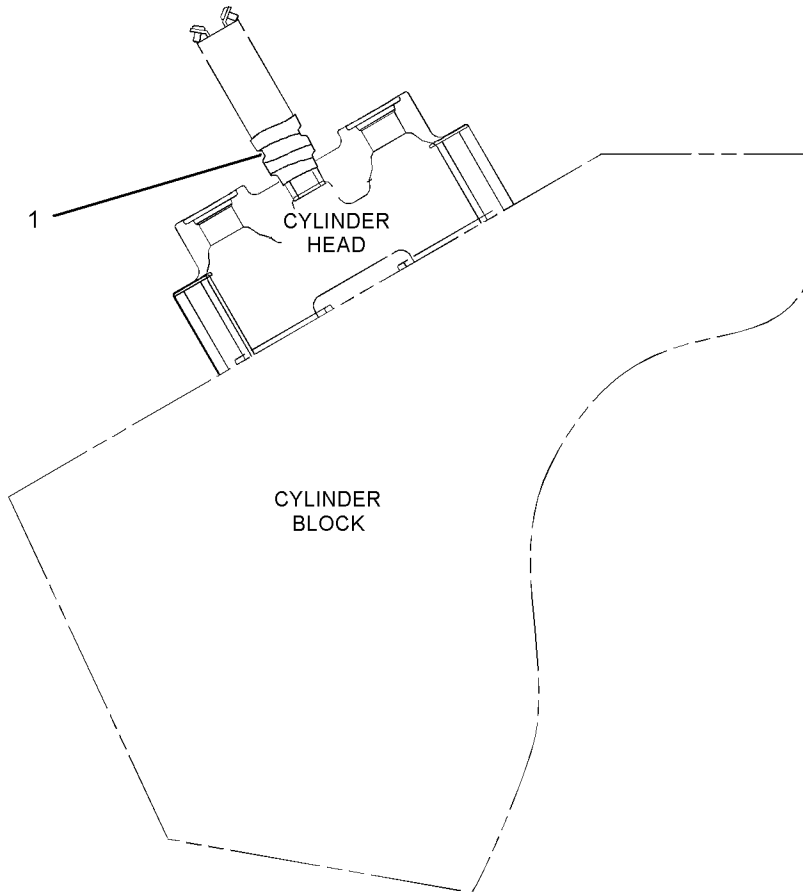
278-4749 SHIELD GP-HEAT AN ATTACHMENT

SMCS-1067

i02646234

NOTE	REF NO	GRAPHIC REF	PART NUMBER	QTY	PART NAME						SEE PAGE
					1	2	3	4	5	6 (PRODUCT LEVEL)	
B	1	1	237-3860		TAPE (ANTI-SPLASH, 50-MM WIDE)						

B - USE AS REQUIRED



GRAPHIC #1

<END>

g01330645

AIR INLET AND EXHAUST SYSTEM

296-0618 SHIELD GP-TURBOCHARGER

S/N: 50Y647-1304

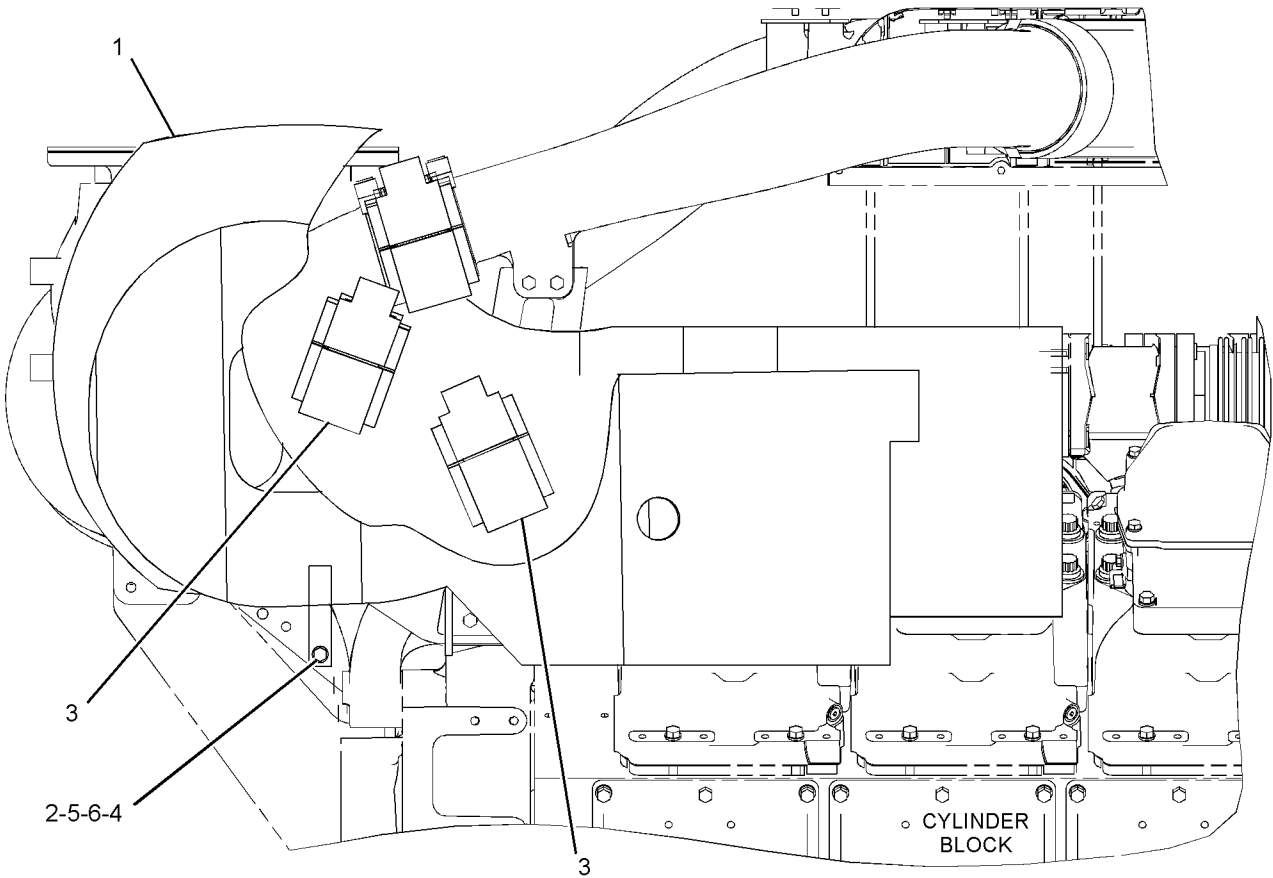
PART OF 357-0858 ENGINE AR-COMplete

SMCS-1073

i03336103

NOTE	REF NO	GRAPHIC REF	PART NUMBER	QTY	PART NAME						SEE PAGE
					1	2	3	4	5	6 (PRODUCT LEVEL)	
Y	1	1	290-7161	1	SHIELD AS-HEAT						882
	2	1	324-9728	2	PLATE						
	3	1	309-9600	2	SHIELD (HEAT)						
	4	1	5S-7383	1	BOLT (3/8-16X1.75-IN)						
	5	1	6V-8801	1	NUT (3/8-16-THD)						
	6	1	8T-4896	2	WASHER-HARD (10.2X18.5X2.5-MM THK)						

Y - SEPARATE ILLUSTRATION



RIGHT SIDE VIEW OF ENGINE

GRAPHIC #1

<END>

g01814680

AIR INLET AND EXHAUST SYSTEM

305-6263 SHIELD GP-TURBOCHARGER-AIR

S/N: 50Y647-1304

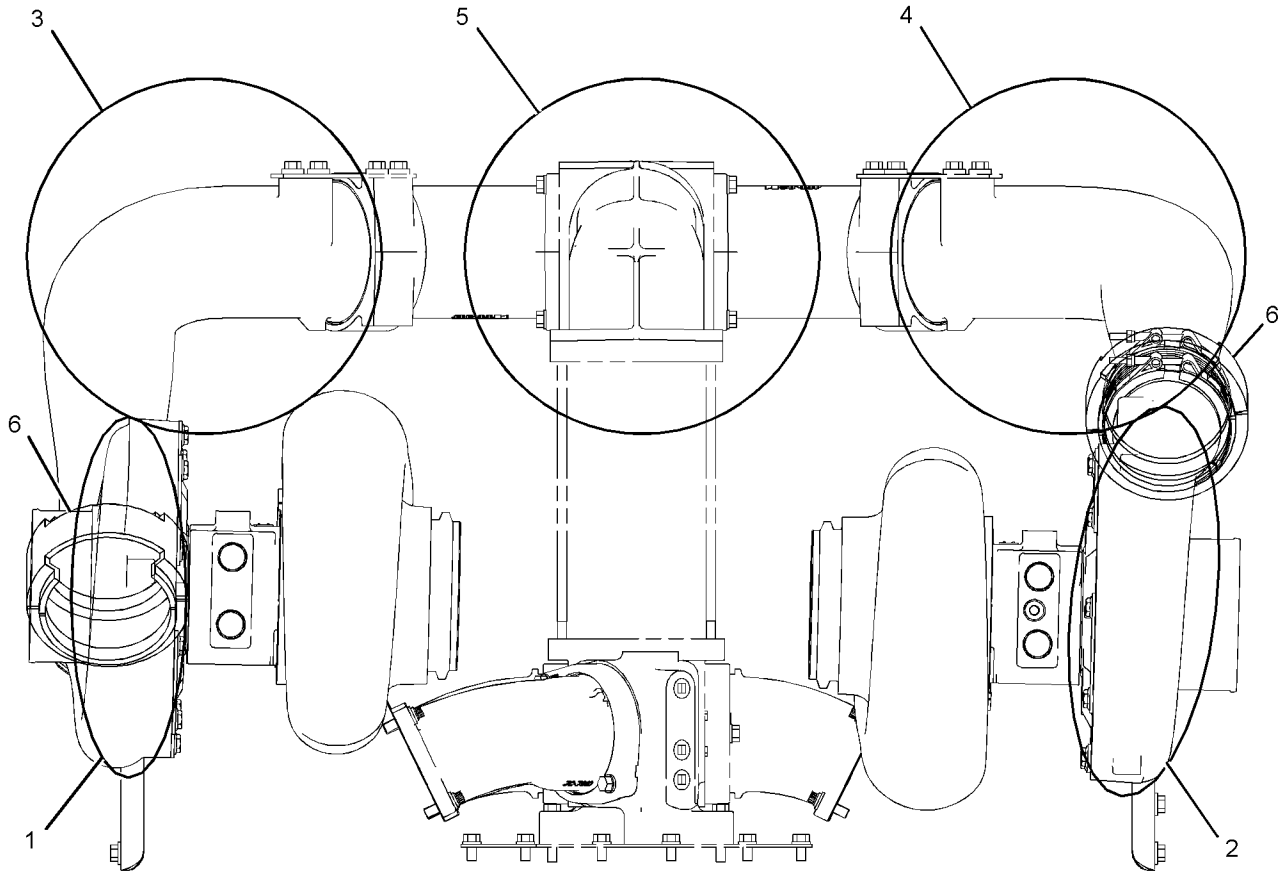
PART OF 357-0858 ENGINE AR-COMplete

SMCS-1073

i03384880

NOTE	REF NO	GRAPHIC REF	PART NUMBER	QTY	PART NAME						SEE PAGE
					1	2	3	4	5	6 (PRODUCT LEVEL)	
	1	1	305-6244	1	SHIELD-HEAT						
	2	1	305-6245	1	SHIELD-HEAT						
	3	1	327-8489	1	SHIELD AS-HEAT						
	4	1	327-8490	1	SHIELD AS-HEAT						
C	5	1	325-7324	1	SHIELD-HEAT						
	6	1	309-9600	2	SHIELD (HEAT)						

C - CHANGE FROM PREVIOUS TYPE



REAR VIEW OF ENGINE

GRAPHIC #1

<END>

g01949411

AIR INLET AND EXHAUST SYSTEM

144-8275 SHUTOFF GP-AIR

S/N: 50Y647-1304

PART OF 7W-9360 SHUTOFF AR-ELECTRICAL, 4W-3048 SHUTOFF GP-AIR
AN ATTACHMENT

SMCS-1078

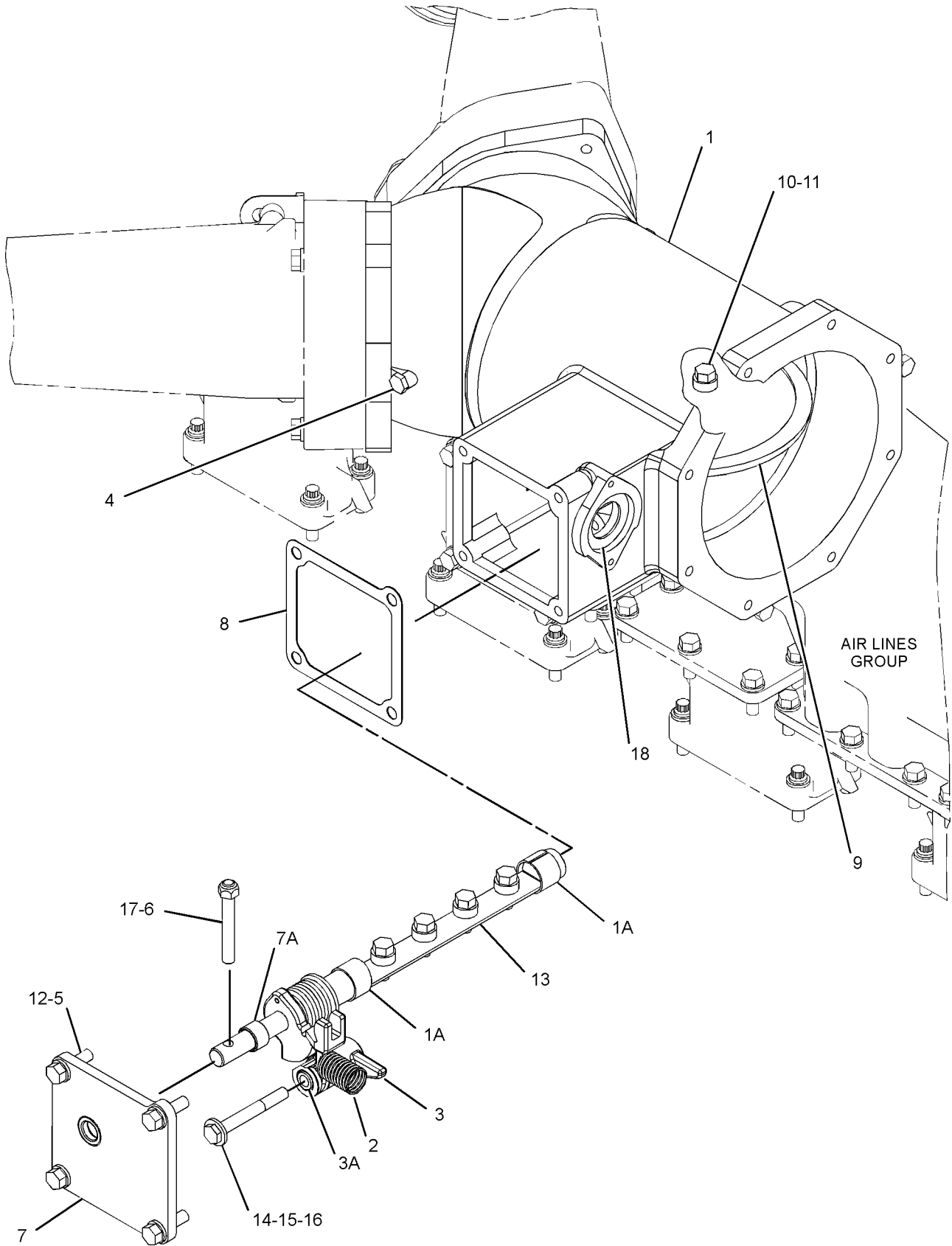
i06013251

NOTE	REF NO	GRAPHIC REF	PART NUMBER	QTY	PART NAME						SEE PAGE
					1	2	3	4	5	6 (PRODUCT LEVEL)	
	1	1	144-8274	1	HOUSING AS						
	1A	1	1W-8975	2	BUSHING-TERMINAL						
		1	3S-8313	1	PLUG-CUP						
		1	9H-0858	1	SEAL-LIP TYPE						
	2	1	4W-7959	1	SPRING						
	3	1	433-3496	1	LEVER AS						
	3A	1	1W-8974	2	BUSHING-TERMINAL						
	4	1	8T-6765	2	PLUG-PIPE (1/4-18-THD)						
	5	1	0S-1588	4	BOLT (3/8-16X1.25-IN)						
	6	1	5C-6819	1	ROD						
	7	1	133-9302	1	COVER AS						
	7A	1	5G-0400	1	BEARING						
		1	5P-6859	1	SEAL-LIP TYPE						
	8	1	1W-8393	1	GASKET						
	9	1	2W-4880	1	PLATE AS						
	10	1	0S-1594	4	BOLT (3/8-16X1-IN)						
	11	1	8D-5898	4	SPACER (0.406X0.75X0.312-IN THK)						
	12	1	5M-2894	4	WASHER-HARD (10.2X18.5X2.5-MM THK)						
	13	1	433-3495	1	SHAFT AS						
		1	1H-9726	1	WASHER (0.656X1.62X0.12-IN)						
		1	4W-1954	1	SPRING						
		1	6N-0265	1	DOWEL						
	14	1	1T-0689	2	WASHER (9.93X22.22X2.54-MM THK)						
	15	1	1W-8378	1	SLEEVE						
	16	1	3H-6624	1	BOLT (3/8-16X3-IN)						
	17	1	2K-4973	1	LOCKNUT (3/8-16-THD)						
	18	1	129-3021	1	RING						

AIR INLET AND EXHAUST SYSTEM

144-8275 SHUTOFF GP-AIR (contd.)

106013251



GRAPHIC #1

<END>

g03410848

AIR INLET AND EXHAUST SYSTEM

2W-5216 SHUTOFF GP-AIR

S/N: 50Y647-1304

PART OF 4W-3048 SHUTOFF GP-AIR

AN ATTACHMENT

TYPE 1

SMCS-1078

i00968765

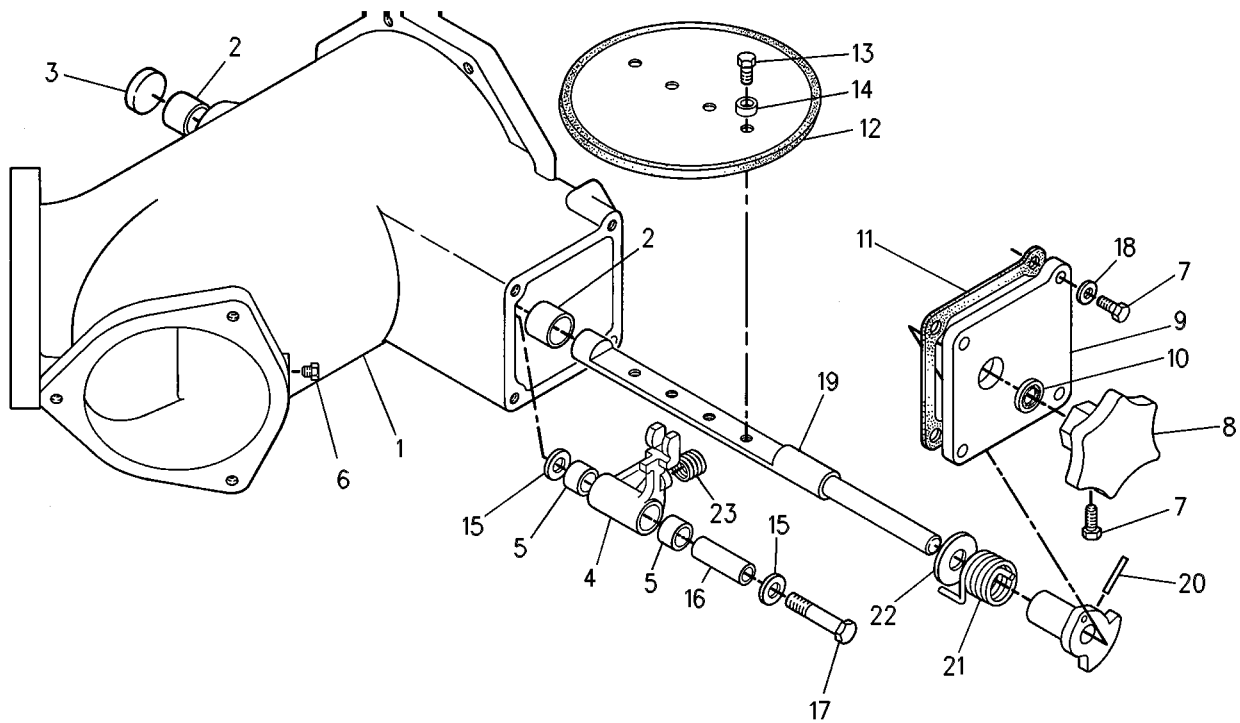
NOTE	REF NO	GRAPHIC REF	PART NUMBER	QTY	PART NAME						SEE PAGE
					1	2	3	4	5	6 (PRODUCT LEVEL)	
	1	1	2W-5215	1	HOUSING AS						
	2	1	1W-8975	2	BUSHING-TERMINAL						
	3	1	3S-8313	1	PLUG-CUP						
C	4	1	7W-0082	1	LEVER AS						
	5	1	1W-8974	2	BUSHING-TERMINAL						
	6	1	5M-6213	2	PLUG-PIPE (1/4-18-THD)						
	7	1	0S-1588	5	BOLT (3/8-16X1.25-IN)						
	8	1	2W-5652	1	KNOB						
	9	1	2W-5653	1	COVER AS						
	10	1	5P-6859	1	SEAL-LIP TYPE						
	11	1	1W-8393	1	GASKET						
	12	1	2W-4880	1	PLATE AS						
	13	1	0S-1594	4	BOLT (3/8-16X1-IN)						
	14	1	8D-5898	4	SPACER (0.406X0.75X0.312-IN THK)						
	15	1	1T-0689	2	WASHER (9.93X22.22X2.54-MM THK)						
	16	1	1W-8378	1	SLEEVE						
	17	1	3H-6624	1	BOLT (3/8-16X3-IN)						
	18	1	5M-2894	4	WASHER-HARD (10.2X18.5X2.5-MM THK)						
C	19	1	7W-0081	1	SHAFT AS						
	20	1	6N-0265	1	DOWEL						
	21	1	4W-1954	1	SPRING						
	22	1	1H-9726	1	WASHER (0.656X1.62X0.12-IN)						
C	23	1	4W-7959	1	SPRING						

C - CHANGE FROM PREVIOUS TYPE

AIR INLET AND EXHAUST SYSTEM

2W-5216 SHUTOFF GP-AIR (contd.)

i00968765



GRAPHIC #1

<END>

g00501622

AIR INLET AND EXHAUST SYSTEM

2W-5216 SHUTOFF GP-AIR

S/N: 50Y647-1304

PART OF 4W-3048 SHUTOFF GP-AIR

AN ATTACHMENT

TYPE 2

SMCS-1078

i00653123

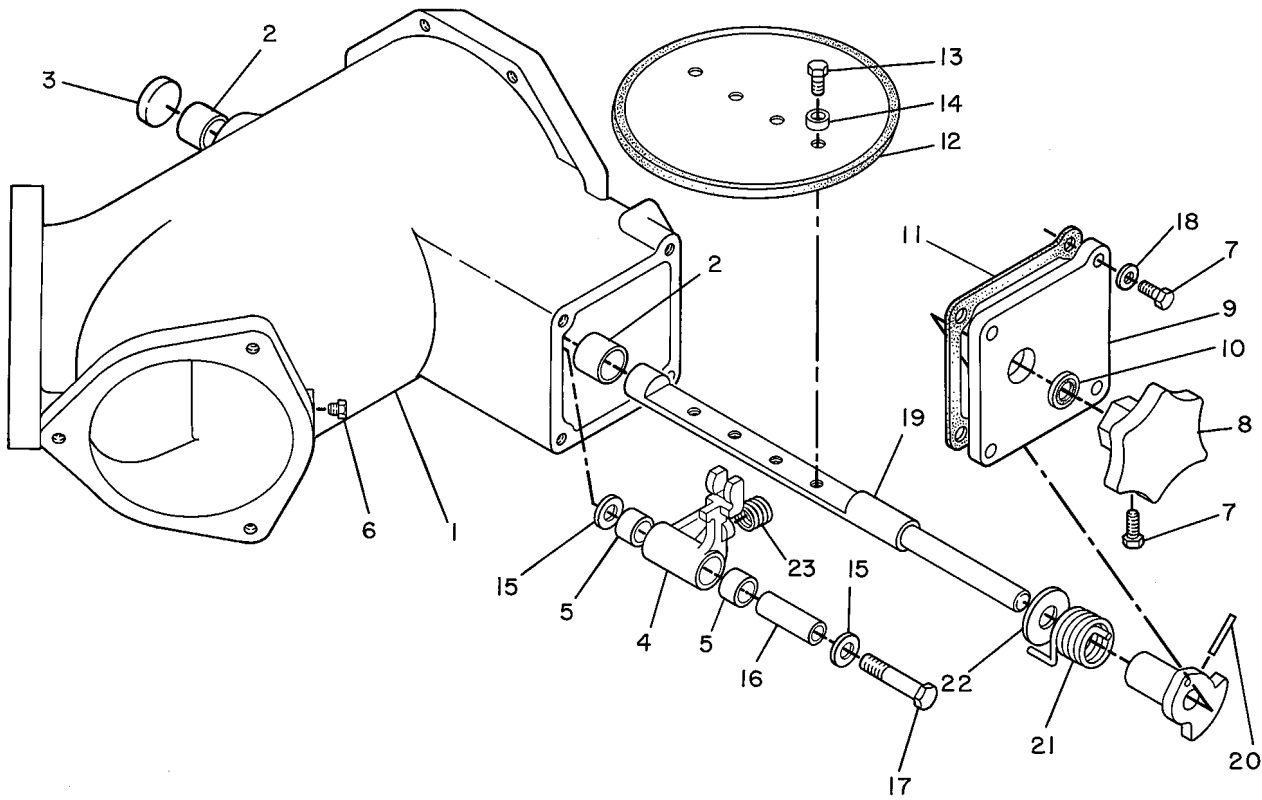
NOTE	REF NO	GRAPHIC REF	PART NUMBER	QTY	PART NAME						SEE PAGE
					1	2	3	4	5	6 (PRODUCT LEVEL)	
	1	1	2W-5215	1	HOUSING AS						
	2	1	1W-8975	2	BUSHING-TERMINAL						
	3	1	3S-8313	1	PLUG-CUP						
C	4	1	7E-2891	1	LEVER AS						
	5	1	1W-8974	2	BUSHING-TERMINAL						
	6	1	5M-6213	2	PLUG-PIPE (1/4-18-THD)						
	7	1	0S-1588	5	BOLT (3/8-16X1.25-IN)						
	8	1	2W-5652	1	KNOB						
	9	1	2W-5653	1	COVER AS						
	10	1	5P-6859	1	SEAL-LIP TYPE						
	11	1	1W-8393	1	GASKET						
	12	1	2W-4880	1	PLATE AS						
	13	1	0S-1594	4	BOLT (3/8-16X1-IN)						
	14	1	8D-5898	4	SPACER (0.406X0.75X0.312-IN THK)						
	15	1	1T-0689	2	WASHER (9.93X22.22X2.54-MM THK)						
	16	1	1W-8378	1	SLEEVE						
	17	1	3H-6624	1	BOLT (3/8-16X3-IN)						
	18	1	5M-2894	4	WASHER-HARD (10.2X18.5X2.5-MM THK)						
	19	1	7E-2889	1	SHAFT AS						
	20	1	6N-0265	1	DOWEL						
	21	1	4W-1954	1	SPRING						
	22	1	1H-9726	1	WASHER (0.656X1.62X0.12-IN)						
	23	1	4W-7959	1	SPRING						

C - CHANGE FROM PREVIOUS TYPE

AIR INLET AND EXHAUST SYSTEM

2W-5216 SHUTOFF GP-AIR (contd.)

i00653123



GRAPHIC #1

<END>

g00204083

AIR INLET AND EXHAUST SYSTEM

2W-7163 SHUTOFF GP-AIR

S/N: 66Z190-578

PART OF 4W-3047, 7E-7395 SHUTOFF GP-AIR

AN ATTACHMENT

TYPE 1

SMCS-1078

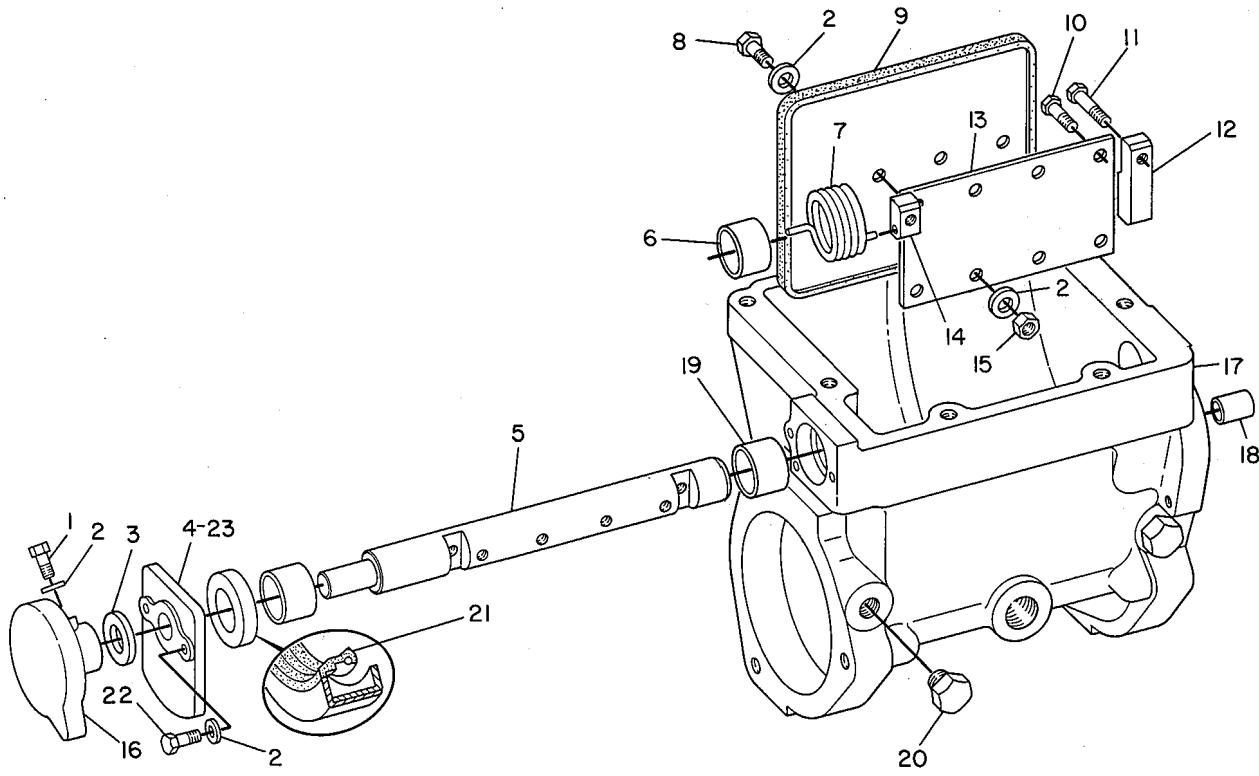
i00651461

NOTE	REF NO	GRAPHIC REF	PART NUMBER	QTY	PART NAME						SEE PAGE
					1	2	3	4	5	6 (PRODUCT LEVEL)	
	1	1	0S-1615	1	BOLT (1/4-20X0.75-IN)						
	2	1	5P-0537	11	WASHER-HARD (7.2X14.5X2-MM THK)						
	3	1	4B-2479	1	WASHER						
	4	1	5N-1992	1	COVER						
	5	1	5N-3273	1	SHAFT						
	6	1	5N-4497	1	BUSHING-TERMINAL						
	7	1	4W-1772	1	SPRING						
	8	1	2A-0762	4	BOLT (1/4-20X0.625-IN)						
	9	1	4W-1773	1	VALVE AS-SHUTOFF						
	10	1	9S-5033	4	BOLT-12 POINT HEAD (1/4-20X0.625-IN)						
	11	1	005-8160	2	BOLT-12 POINT HEAD (1/4-20X0.875-IN)						
	12	1	2W-8023	1	ARM						
	13	1	5N-3283	1	SPRING-LEAF						
	14	1	4W-1923	1	LATCH						
	15	1	9S-8750	4	NUT-FULL (1/4-20-THD)						
	16	1	5N-5298	1	KNOB						
	17	1	5N-2443	1	HOUSING AS						
	18	1	8N-6061	1	BUSHING-TERMINAL						
	19	1	8N-6062	2	BUSHING-TERMINAL						
	20	1	8T-6765	2	PLUG-PIPE (1/4-18-THD)						
	21	1	4F-4584	1	SEAL-LIP TYPE						
	22	1	4F-7957	2	BOLT (1/4-20X0.875-IN)						
	23	1	9J-8606	1	WASHER-SPRING						

AIR INLET AND EXHAUST SYSTEM

2W-7163 SHUTOFF GP-AIR (contd.)

i00651461



GRAPHIC #1

<END>

g00187027

AIR INLET AND EXHAUST SYSTEM

2W-7163 SHUTOFF GP-AIR

S/N: 66Z190-578

PART OF 7W-9359 SHUTOFF AR-ELECTRICAL, 4W-3047, 7E-7395 SHUTOFF GP-AIR
AN ATTACHMENT
TYPE 2

SMCS-1078

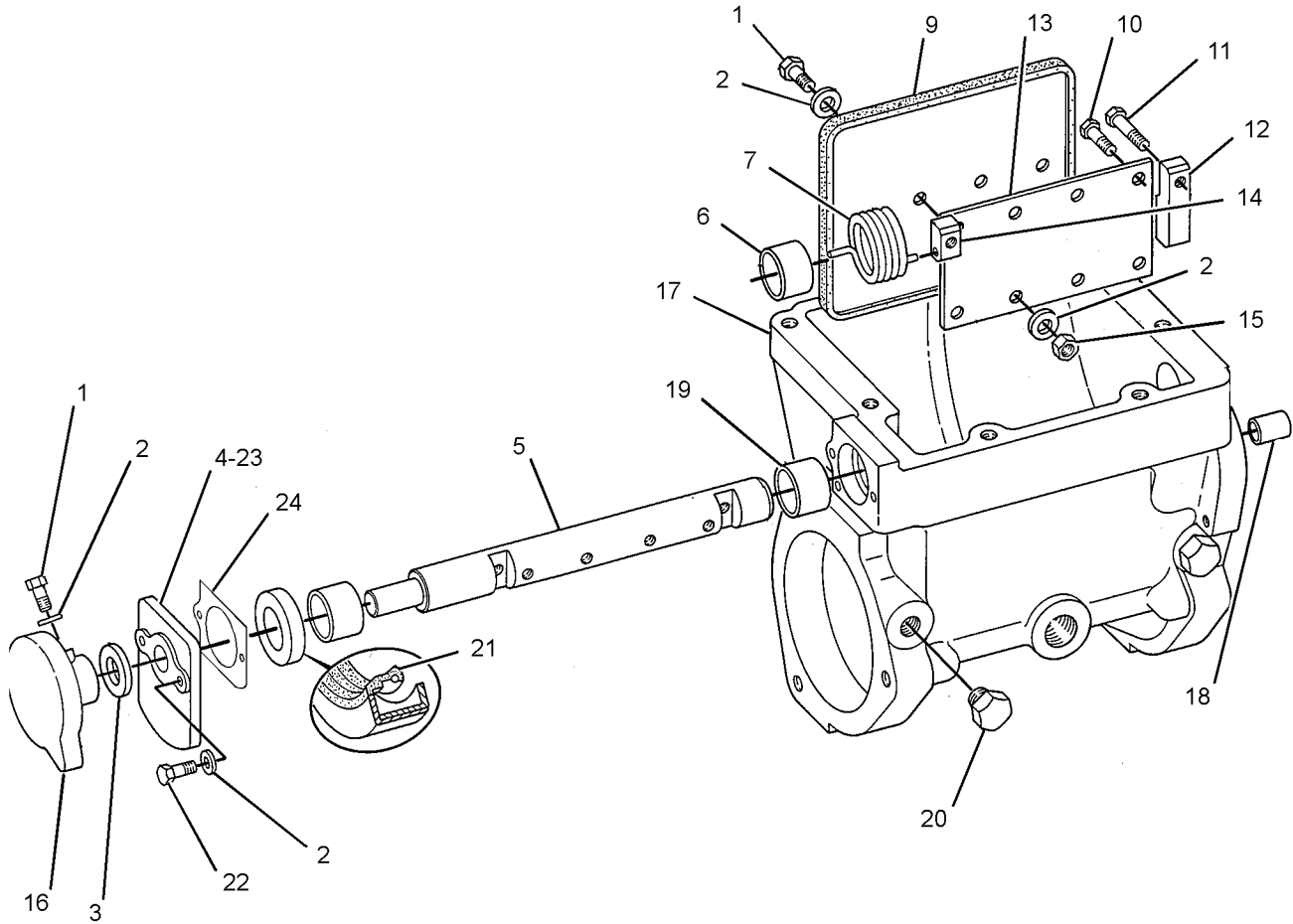
i05472211

NOTE	REF NO	GRAPHIC REF	PART NUMBER	QTY	PART NAME						SEE PAGE
					1	2	3	4	5	6 (PRODUCT LEVEL)	
	1	1	0S-1615	5	BOLT (1/4-20X0.75-IN)						
	2	1	5P-0537	11	WASHER-HARD (7.2X14.5X2-MM THK)						
	3	1	4B-2479	1	WASHER						
	4	1	440-2522	1	COVER						
	5	1	5N-3273	1	SHAFT						
	6	1	5N-4497	1	BUSHING-TERMINAL						
	7	1	4W-1772	1	SPRING						
	9	1	4W-1773	1	VALVE AS-SHUTOFF						
	10	1	9S-5033	4	BOLT-12 POINT HEAD (1/4-20X0.625-IN)						
	11	1	005-8160	2	BOLT-12 POINT HEAD (1/4-20X0.875-IN)						
	12	1	2W-8023	1	ARM						
	13	1	100-5861	1	SPRING-LEAF						
	14	1	4W-1923	1	LATCH						
	15	1	9S-8750	4	NUT-FULL (1/4-20-THD)						
	16	1	5N-5298	1	KNOB						
	17	1	5N-2443	1	HOUSING AS						
	18	1	8N-6061	1	BUSHING-TERMINAL						
	19	1	8N-6062	2	BUSHING-TERMINAL						
	20	1	8T-6765	2	PLUG-PIPE (1/4-18-THD)						
	21	1	4F-4584	1	SEAL-LIP TYPE						
	22	1	4F-7957	2	BOLT (1/4-20X0.875-IN)						
	23	1	9J-8606	1	WASHER-SPRING						
	24	1	106-5078	1	GASKET						

AIR INLET AND EXHAUST SYSTEM

2W-7163 SHUTOFF GP-AIR (contd.)

i05472211



GRAPHIC #1

<END>

g03459481

AIR INLET AND EXHAUST SYSTEM

4W-3047 SHUTOFF GP-AIR-INTAKE

S/N: 66Z190-578

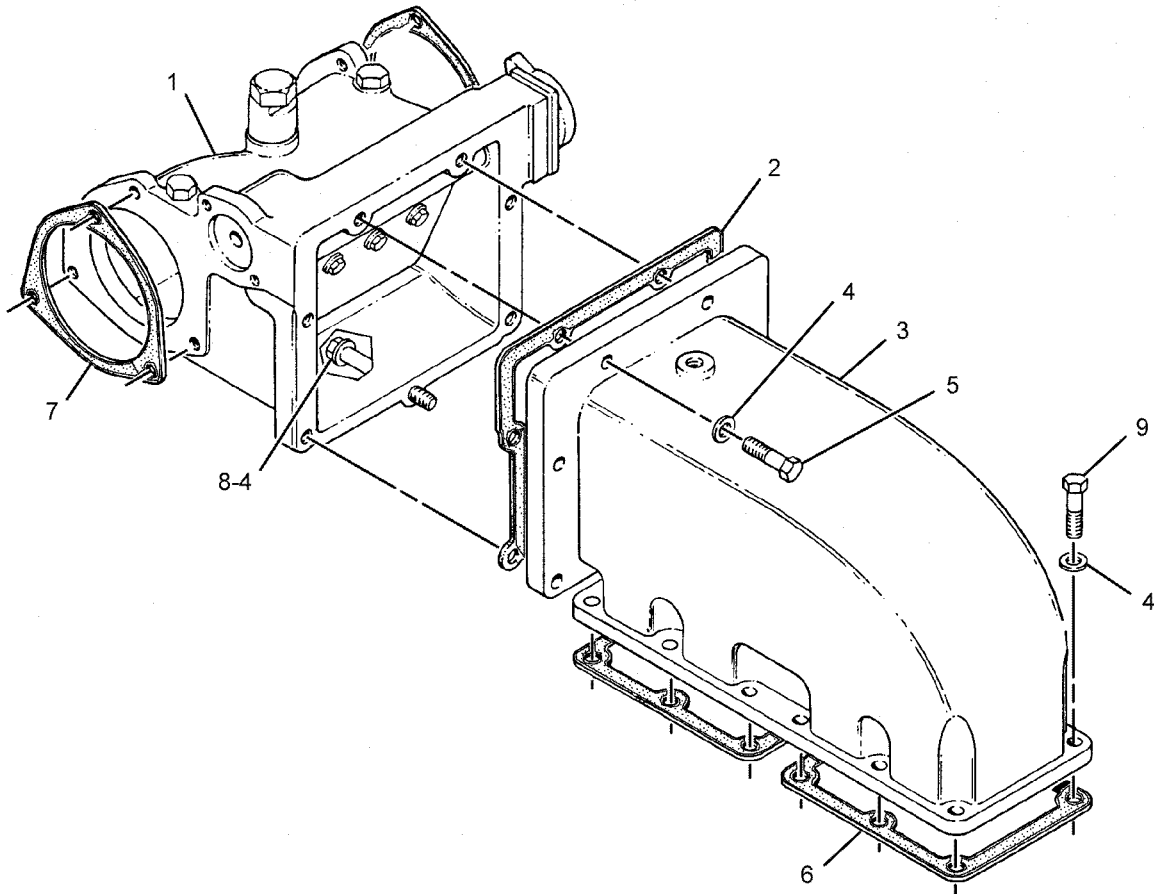
FOR USE WITH HYDRAMECHANICAL SHUTOFF
PART OF 7W-9359 SHUTOFF AR-ELECTRICAL
AN ATTACHMENT

SMCS-1078

i02171428

NOTE	REF NO	GRAPHIC REF	PART NUMBER	QTY	PART NAME						SEE PAGE
					1	2	3	4	5	6 (PRODUCT LEVEL)	
Y	1	1	2W-7163	1	SHUTOFF GP-AIR						897
	2	1	5N-3309	1	GASKET						
	3	1	2W-4049	1	MANIFOLD						
C	4	1	5M-2894	19	WASHER-HARD (10.2X18.5X2.5-MM THK)						
	5	1	0S-1591	6	BOLT (3/8-16X1.5-IN)						
	6	1	1W-1251	2	GASKET (SMALL)						
					-OR-						
		1	2W-6009	1	GASKET (LARGE)						
	7	1	7N-4895	2	GASKET						
	8	1	0T-0065	1	BOLT (3/8-16X3.5-IN)						
C	9	1	1A-2029	12	BOLT (3/8-16X1.125-IN)						

C - CHANGE FROM PREVIOUS TYPE
Y - SEPARATE ILLUSTRATION



GRAPHIC #1

<END>

g01100956

AIR INLET AND EXHAUST SYSTEM

4W-3048 SHUTOFF GP-AIR-INTAKE

S/N: 50Y647-1304

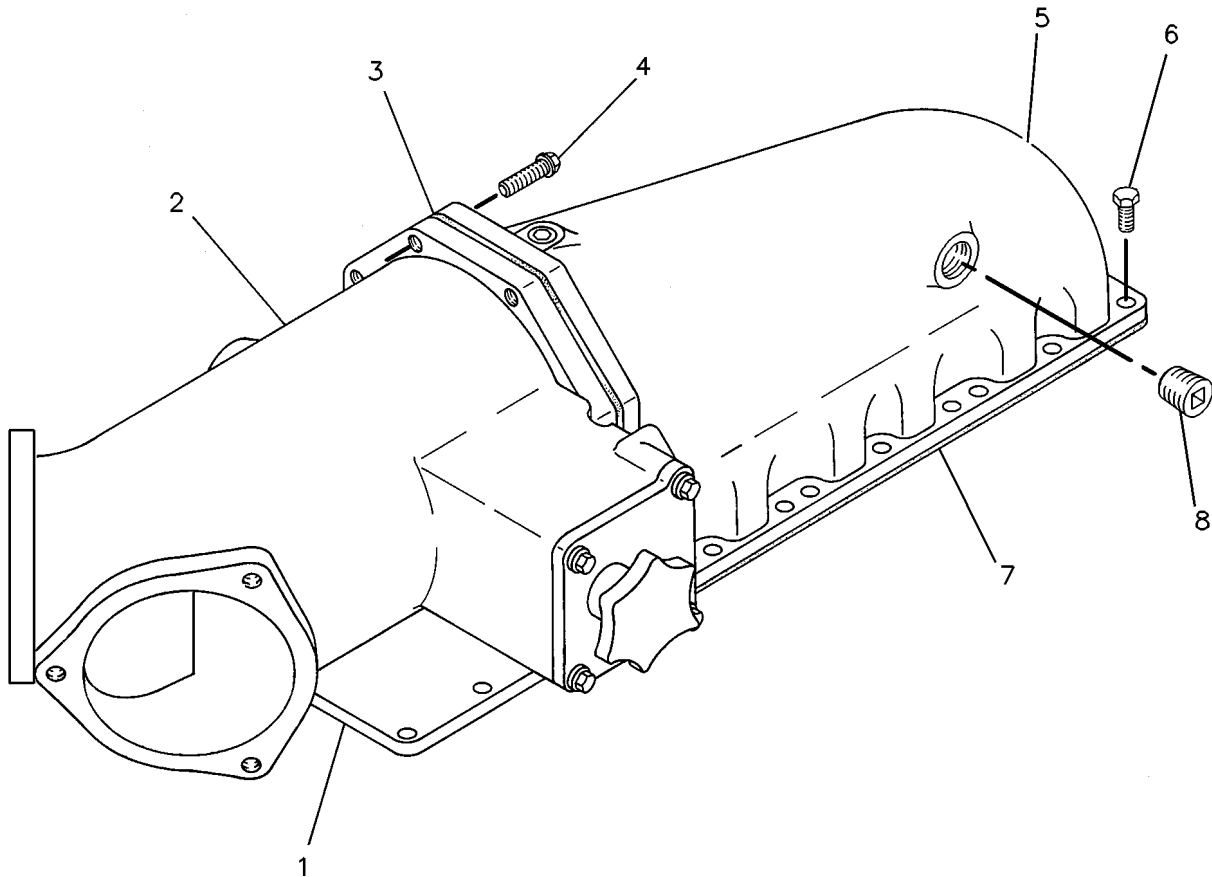
FOR USE WITH HYDROMECHANICAL SHUTOFF
PART OF 7W-9360 SHUTOFF AR-ELECTRICAL
AN ATTACHMENT
TYPE 1

SMCS-1078

i00652647

NOTE	REF NO	GRAPHIC REF	PART NUMBER	QTY	PART NAME						SEE PAGE
					1	2	3	4	5	6	
	1	1	1W-1250	1	COVER						
Y	2	1	2W-5216	1	SHUTOFF GP-AIR						893
	3	1	1W-7391	1	GASKET						
	4	1	0S-1591	8	BOLT (3/8-16X1.5-IN)						
	5	1	2W-5213	1	HOUSING						
	6	1	0S-1594	18	BOLT (3/8-16X1-IN)						
	7	1	1W-1251	4	GASKET						
	8	1	8T-6761	2	PLUG-PIPE (1-11-1/2 NPT THD)						

Y - SEPARATE ILLUSTRATION



GRAPHIC #1

<END>

g00224096

AIR INLET AND EXHAUST SYSTEM

4W-3048 SHUTOFF GP-AIR-INTAKE

S/N: 50Y647-1304

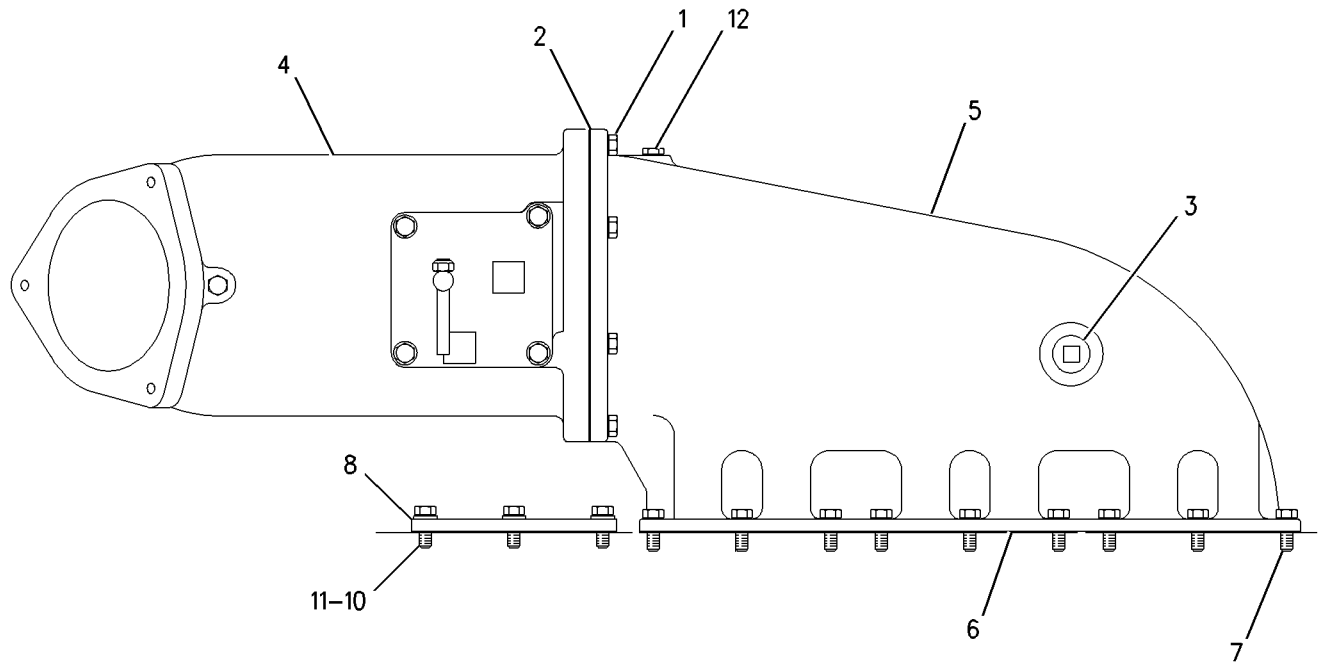
FOR USE WITH HYDROMECHANICAL SHUTOFF
PART OF 7W-9360 SHUTOFF AR-ELECTRICAL
AN ATTACHMENT
TYPE 2

SMCS-1078

i02171440

NOTE	REF NO	GRAPHIC REF	PART NUMBER	QTY	PART NAME						SEE PAGE
					1	2	3	4	5	6	
	1	1	0S-1591	8	BOLT (3/8-16X1.5-IN)						
	2	1	1W-7391	1	GASKET						
	3	1	8T-6761	2	PLUG-PIPE (1-11-1/2 NPT THD)						
CY	4	1	144-8275	1	SHUTOFF GP-AIR						891
	5	1	2W-5213	1	HOUSING						
	6	1	1W-1251	4	GASKET						
	7	1	0S-1594	18	BOLT (3/8-16X1-IN)						
	8	1	1W-1250	1	COVER						
	10	1	5M-2894	8	WASHER-HARD (10.2X18.5X2.5-MM THK)						
	11	1	1A-2029	8	BOLT (3/8-16X1.125-IN)						
	12	1	8T-6765	1	PLUG-PIPE (1/4-18-THD)						

C - CHANGE FROM PREVIOUS TYPE
Y - SEPARATE ILLUSTRATION



RIGHT SIDE VIEW

GRAPHIC #1

<END>

g00856531

AIR INLET AND EXHAUST SYSTEM

7E-7395 SHUTOFF GP-AIR

S/N: 66Z190-578

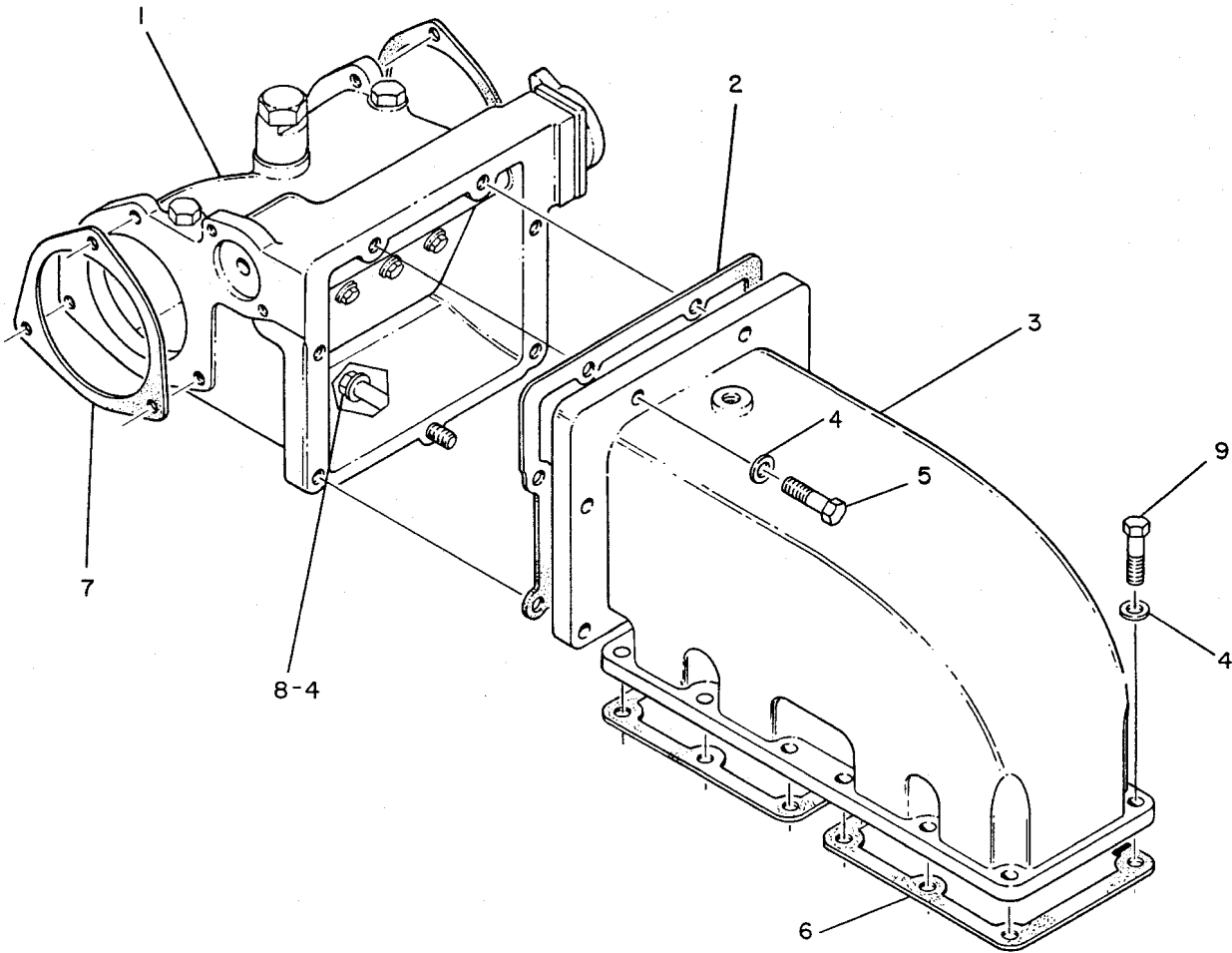
INTAKE
AN ATTACHMENT

SMCS-1078

i00935218

NOTE	REF NO	GRAPHIC REF	PART NUMBER	QTY	PART NAME						SEE PAGE
					1	2	3	4	5	6 (PRODUCT LEVEL)	
Y	1	1	2W-7163	1	SHUTOFF GP-AIR						897
	2	1	5N-3309	1	GASKET						
	3	1	2W-4049	1	MANIFOLD						
	4	1	5M-2894	19	WASHER-HARD (10.2X18.5X2.5-MM THK)						
	5	1	0S-1591	6	BOLT (3/8-16X1.5-IN)						
	6	1	1W-1251	2	GASKET (SMALL)						
	7	1	7N-4895	2	GASKET						
	8	1	0T-0065	1	BOLT (3/8-16X3.5-IN)						
	9	1	1A-2029	12	BOLT (3/8-16X1.125-IN)						

Y - SEPARATE ILLUSTRATION



GRAPHIC #1

<END>

g00195322

AIR INLET AND EXHAUST SYSTEM

137-5553 SUPPORT GP-TURBOCHARGER

AN ATTACHMENT

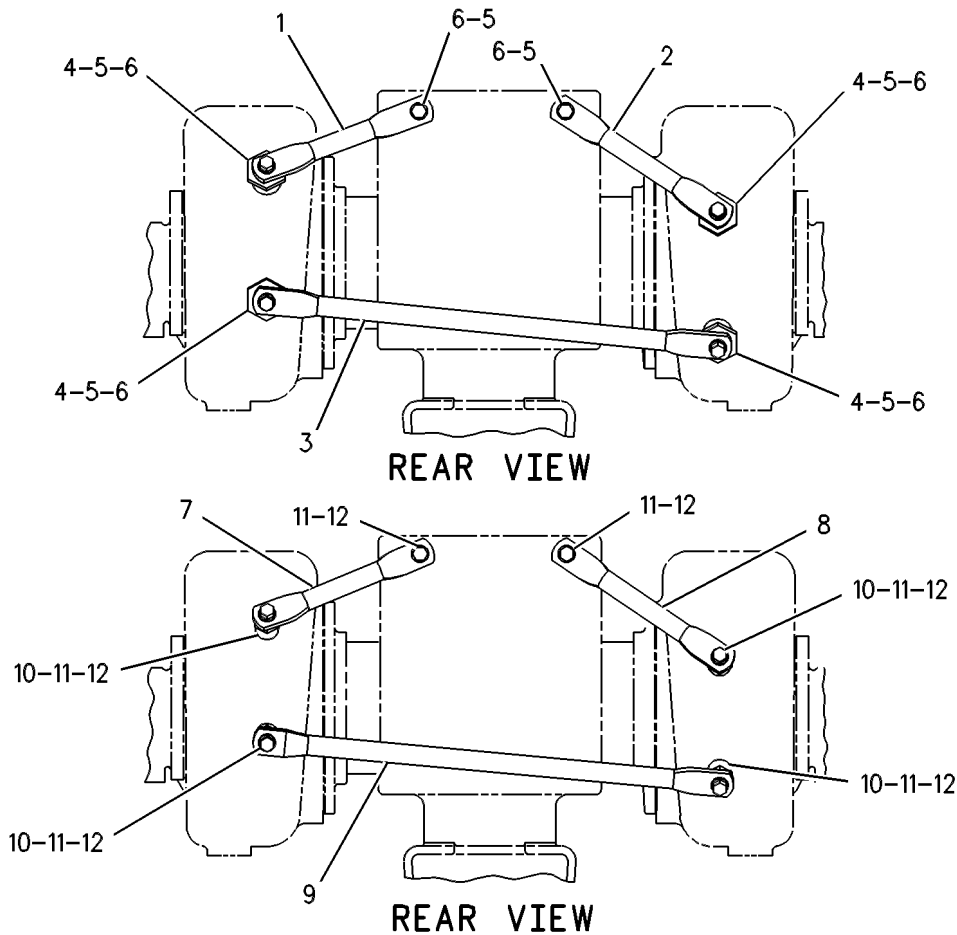
TYPE 1

SMCS-1052

i01348358

NOTE	REF NO	GRAPHIC REF	PART NUMBER	QTY	PART NAME						SEE PAGE
					1	2	3	4	5	6 (PRODUCT LEVEL)	
B	1	1	137-5549	1	SUPPORT						
B	2	1	137-5550	1	SUPPORT						
B	3	1	137-5551	1	SUPPORT						
B	4	1	137-5552	4	PLUG-ADAPTER						
B	5	1	0S-1594	6	BOLT (3/8-16X1-IN)						
B	6	1	5M-2894	6	WASHER-HARD (10.2X18.5X2.5-MM THK)						
					-OR-						
B	7	1	143-5180	1	SUPPORT						
B	8	1	143-5181	1	SUPPORT						
B	9	1	143-5183	1	SUPPORT						
B	10	1	143-5184	4	PLUG-ADAPTER (3/4-14-THDX3/8-16-THD)						
B	11	1	0S-1594	6	BOLT (3/8-16X1-IN)						
B	12	1	5M-2894	6	WASHER-HARD (10.2X18.5X2.5-MM THK)						

B - USE AS REQUIRED



GRAPHIC #1

<END>

g00296786

AIR INLET AND EXHAUST SYSTEM

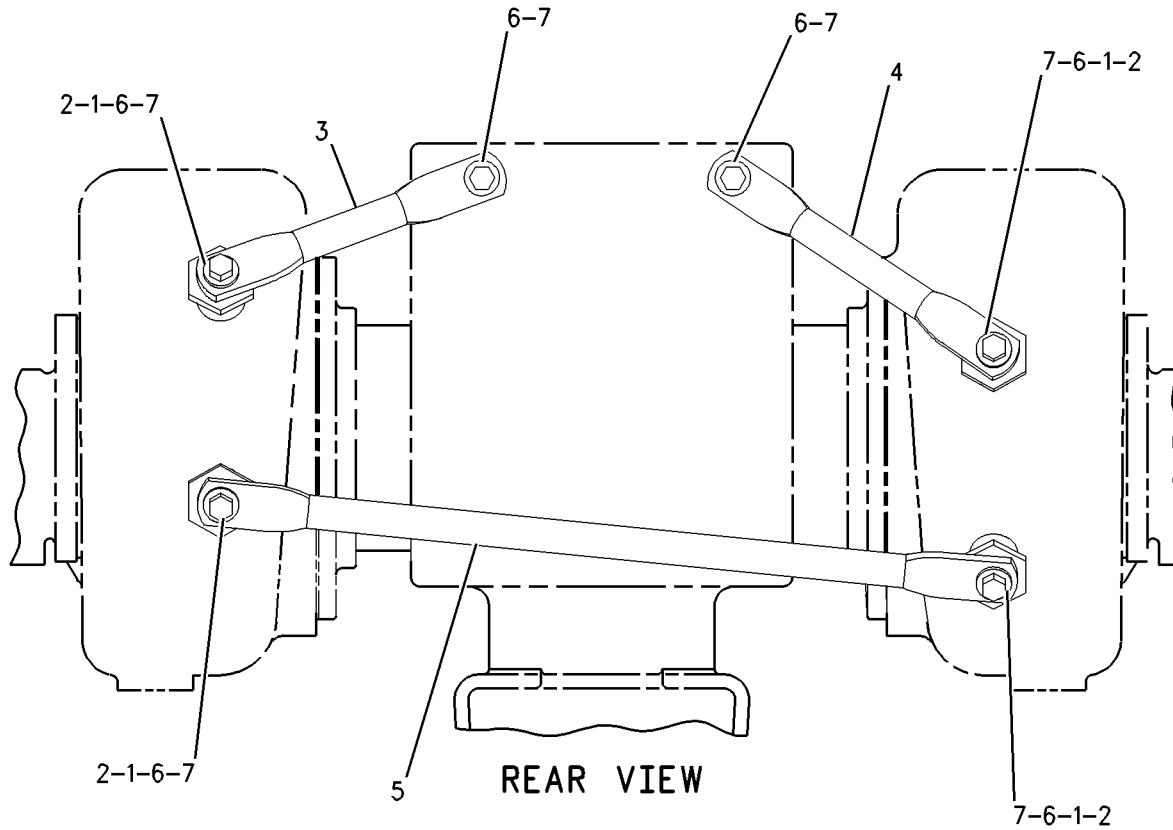
137-5553 SUPPORT GP-TURBOCHARGER AN ATTACHMENT TYPE 2

SMCS-1052

i01336789

NOTE	REF NO	GRAPHIC REF	PART NUMBER	QTY	PART NAME						SEE PAGE
					1	2	3	4	5	6 (PRODUCT LEVEL)	
B	1	1	137-5552	4	PLUG-ADAPTER						
B	2	1	143-5184	4	PLUG-ADAPTER (3/4-14-THDX3/8-16-THD)						
	3	1	137-5549	1	SUPPORT						
	4	1	137-5550	1	SUPPORT						
	5	1	137-5551	1	SUPPORT						
	6	1	0S-1594	6	BOLT (3/8-16X1-IN)						
C	7	1	9X-6458	6	WASHER-HARD (10.2X22.5X3-MM THK)						

B - USE AS REQUIRED
C - CHANGE FROM PREVIOUS TYPE



GRAPHIC #1

<END>

g00706875

AIR INLET AND EXHAUST SYSTEM

102-0291 TURBOCHARGER GP*R

S/N: 50Y647-1304

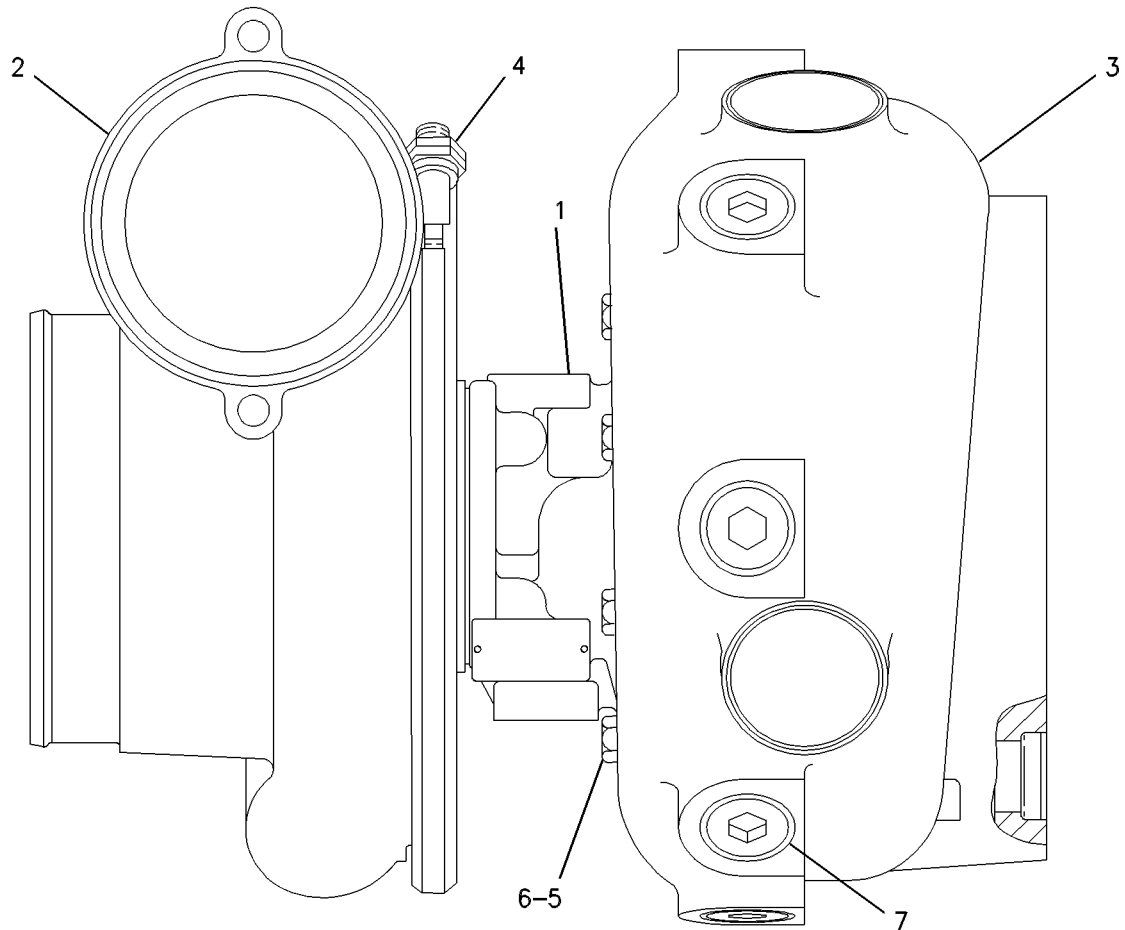
PART OF 9Y-4562 TURBOCHARGER GP
AN ATTACHMENT

SMCS-1052, 1053

i02835420

NOTE	REF NO	GRAPHIC REF	PART NUMBER	QTY	PART NAME						SEE PAGE
					1	2	3	4	5	6 (PRODUCT LEVEL)	
YR	1	1	100-4095	1	CARTRIDGE GP-TURBOCHARGER						814
	2	1	7W-2299	1	HOUSING-COMPRESSOR						
	3	1	7C-0581	1	HOUSING AS-TURBINE						
		1	3B-0645	3	PLUG-CUP (STANDARD)						
		1	3P-1896	4	PLUG-CUP (OPTIONAL)						
		1	4N-0932	3	PLUG-CUP (STANDARD)						
		1	100-6816	4	PLUG-CUP (OPTIONAL)						
4	1	7W-2297	1	CLAMP AS (COMPRESSOR)							
5	1	6V-2751	8	BOLT-HIGH TEMPERATURE (3/8-16X0.75-IN) (3/8)							
6	1	7E-8516	2	CLAMP (TURBINE)							
7	1	8T-6761	7	PLUG-PIPE (1-11-1/2 NPT THD)							

R - REMANUFACTURED PART MAY BE AVAILABLE
Y - SEPARATE ILLUSTRATION



GRAPHIC #1

<END>

g00462643

AIR INLET AND EXHAUST SYSTEM

102-0294 TURBOCHARGER GP*R

S/N: 50Y1175-1304

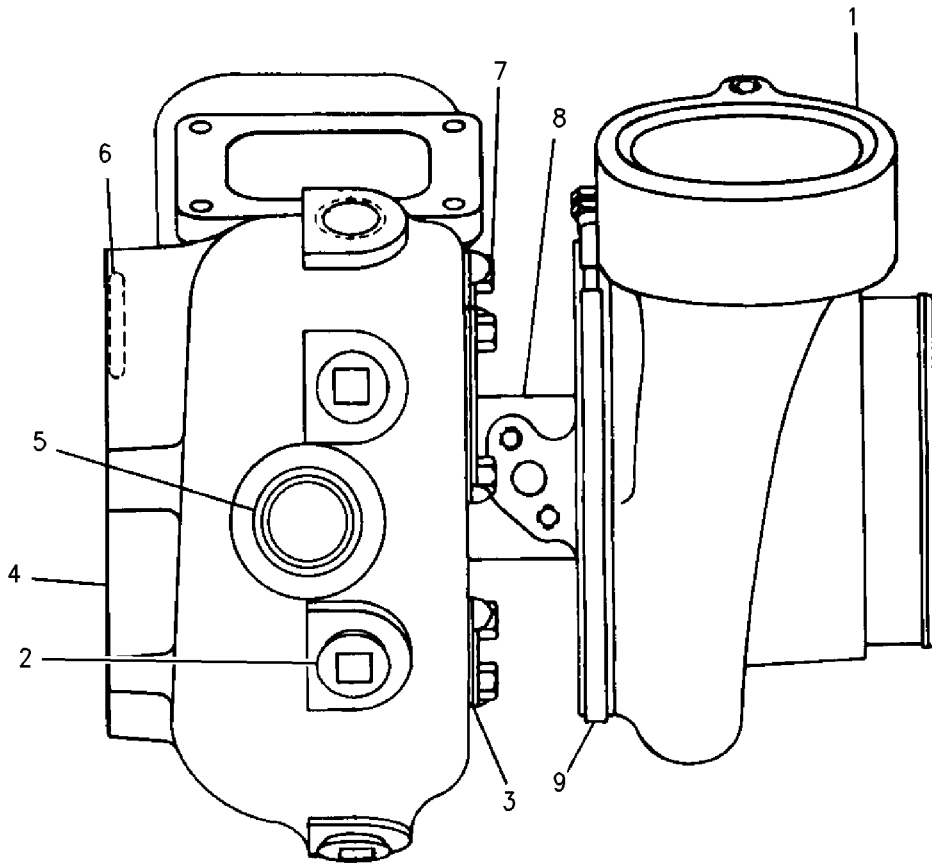
PART OF 9Y-5598 TURBOCHARGER GP

SMCS-1052, 1053

i01480319

NOTE	REF NO	GRAPHIC REF	PART NUMBER	QTY	PART NAME						SEE PAGE
					1	2	3	4	5	6 (PRODUCT LEVEL)	
	1	1	7W-2299	1	HOUSING-COMPRESSOR						
	2	1	8T-6761	7	PLUG-PIPE (1-11-1/2 NPT THD)						
	3	1	7E-8516	2	CLAMP						
	4	1	1W-7770	1	HOUSING AS-TURBINE						
	5	1	4N-0932	4	PLUG-CUP (STANDARD)						
					-OR-						
		1	100-6816	4	PLUG-CUP (ALTERNATE)						
	6	1	3B-0645	3	PLUG-CUP (STANDARD)						
					-OR-						
		1	3P-1896	3	PLUG-CUP (ALTERNATE)						
	7	1	6V-2751	8	BOLT-HIGH TEMPERATURE (3/8-16X0.75-IN)						
YR	8	1	100-4095	1	CARTRIDGE GP-TURBOCHARGER						814
	9	1	7W-2297	1	CLAMP AS (COMPRESSOR)						
		1	7M-9918	1	LOCKNUT (1/4-28-THD)						

R - REMANUFACTURED PART MAY BE AVAILABLE
 Y - SEPARATE ILLUSTRATION



GRAPHIC #1

<END>

g00703333

AIR INLET AND EXHAUST SYSTEM

102-0296 TURBOCHARGER GP*R

S/N: 50Y647-1304

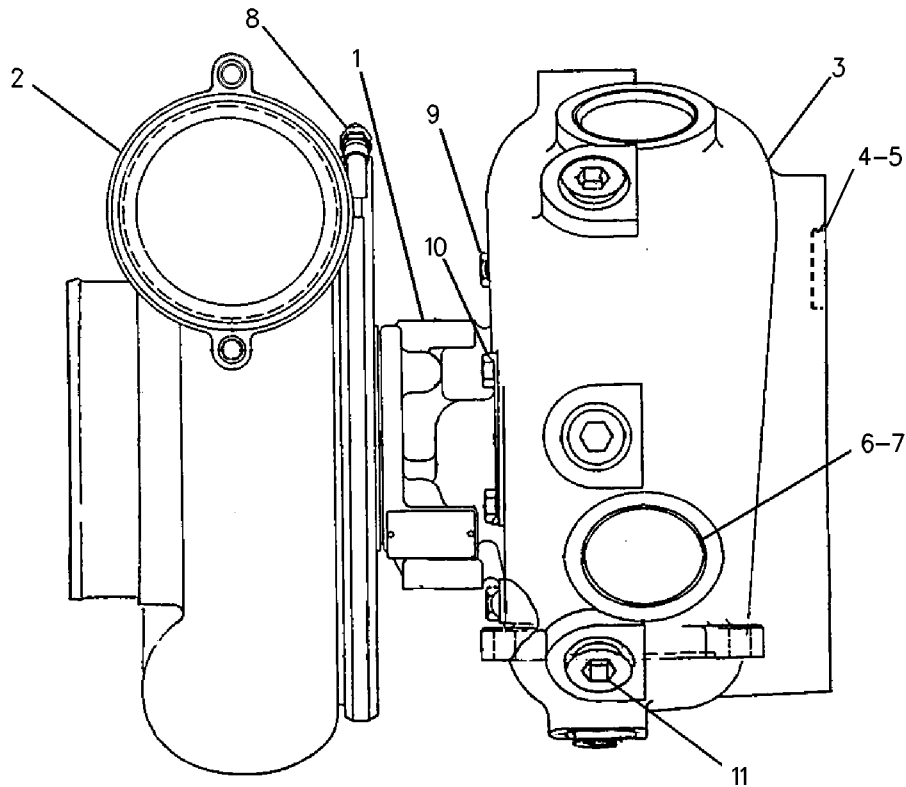
PART OF 9Y-4563 TURBOCHARGER GP
AN ATTACHMENT

SMCS-1052, 1053

i02868483

NOTE	REF NO	GRAPHIC REF	PART NUMBER	QTY	PART NAME						SEE PAGE
					1	2	3	4	5	6 (PRODUCT LEVEL)	
YR	1	1	100-4095	1	CARTRIDGE GP-TURBOCHARGER						814
	2	1	7W-2299	1	HOUSING-COMPRESSOR						
	3	1	1W-0443	1	HOUSING AS-TURBINE						
	4	1	3B-0645	3	PLUG-CUP (STANDARD)						
	5	1	3P-1896	3	PLUG-CUP (OPTIONAL)						
	6	1	4N-0932	4	PLUG-CUP (STANDARD)						
	7	1	100-6816	4	PLUG-CUP (OPTIONAL)						
	8	1	7W-2297	1	CLAMP AS (COMPRESSOR)						
		1	7M-9918	1	LOCKNUT (1/4-28-THD)						
	9	1	6V-2751	8	BOLT-HIGH TEMPERATURE (3/8-16X0.75-IN)						
	10	1	7E-8516	2	CLAMP (TURBINE)						
	11	1	8T-6761	7	PLUG-PIPE (1-11-1/2 NPT THD)						

R - REMANUFACTURED PART MAY BE AVAILABLE
Y - SEPARATE ILLUSTRATION



GRAPHIC #1

<END>

g00703009

AIR INLET AND EXHAUST SYSTEM

107-7186 TURBOCHARGER GP

S/N: 50Y647-1304

PART OF 376-4849 ENGINE AR-COMplete

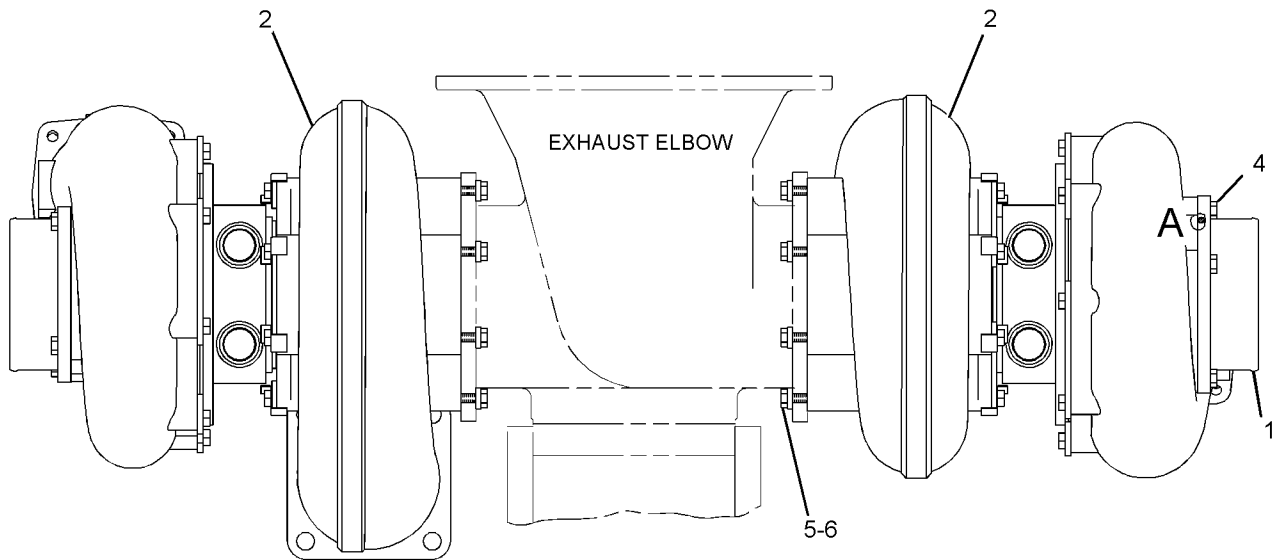
SMCS-1052, 1053

i02438910

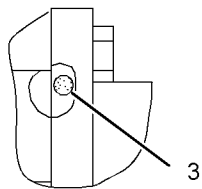
NOTE	REF NO	GRAPHIC REF	PART NUMBER	QTY	PART NAME						SEE PAGE
					1	2	3	4	5	6 (PRODUCT LEVEL)	
	1	1	9Y-8943	2	ADAPTER-AIR CLEANER						
Y	2	1	119-4890	2	TURBOCHARGER GP						911
	3	1	3S-1223	2	SEAL-O-RING						
M	4	1	6V-4248	8	BOLT (M10X1.5X25-MM)						
M	5	1	8C-8581	16	BOLT-HIGH TEMPERATURE (M10X1.5X30-MM)						
	6	1	8T-7934	16	WASHER-HARD (11X21X5-MM THK)						

M - METRIC PART

Y - SEPARATE ILLUSTRATION



REAR VIEW



VIEW OF AREA A

GRAPHIC #1

<END>

g01256919

AIR INLET AND EXHAUST SYSTEM

119-4890 TURBOCHARGER GP

S/N: 50Y647-1304

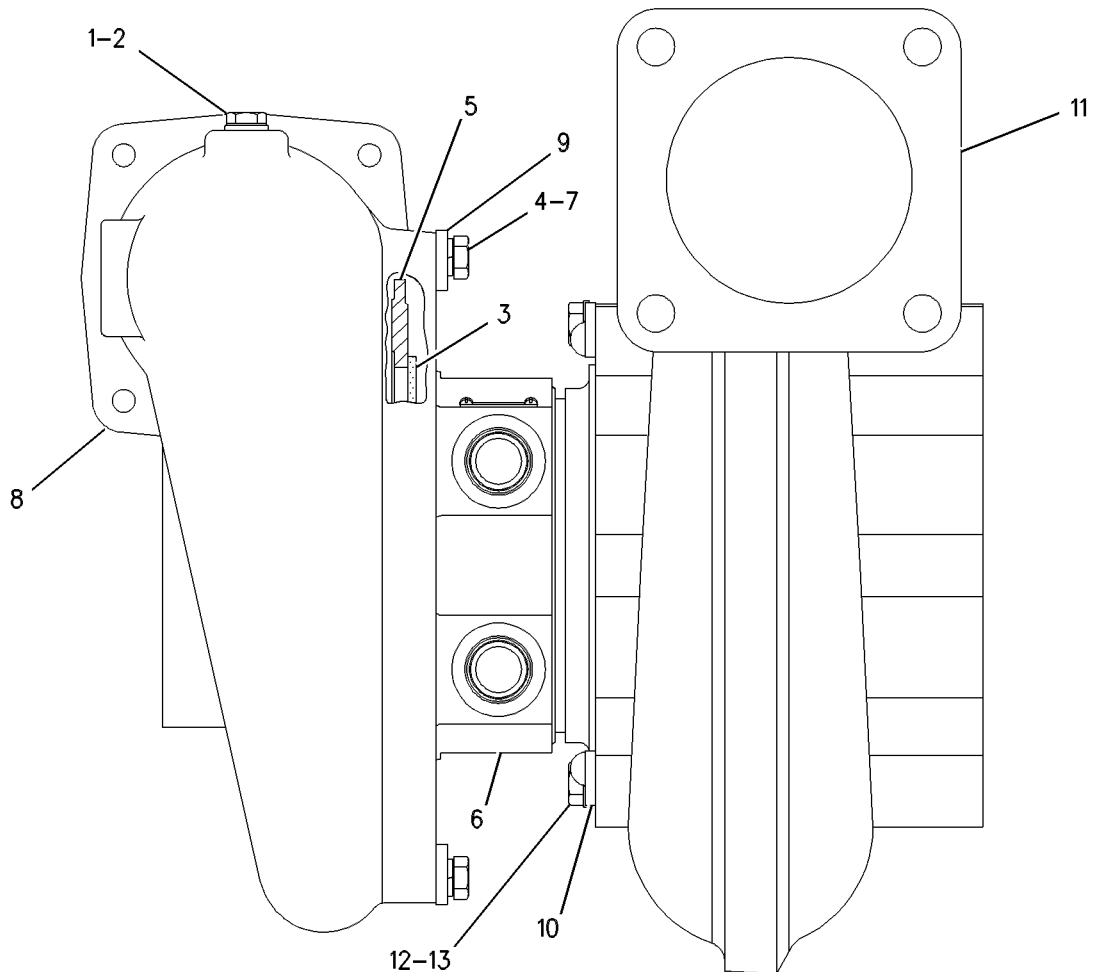
PART OF 10R-9762 KIT-CONVERSION, 350-2143 KIT-ENGINE CONVERSION, 107-7186 TURBOCHARGER GP

SMCS-1052, 1053

i00943344

NOTE	REF NO	GRAPHIC REF	PART NUMBER	QTY	PART NAME						SEE PAGE
					1	2	3	4	5	6 (PRODUCT LEVEL)	
	1	1	4W-9029	1	PLUG						
	2	1	4W-9027	1	GASKET						
	3	1	6V-5055	1	SEAL - O-RING						
	4	1	7X-0796	8	LOCKWASHER (10.2X18.4X2.5-MM THK)						
	5	1	9Y-6272	1	DIFFUSER						
Y	6	1	125-2061	1	CARTRIDGE GP-TURBOCHARGER						816
M	7	1	6V-4248	8	BOLT (M10X1.5X25-MM)						
	8	1	9Y-1692	1	HOUSING-COMPRESSOR						
	9	1	9Y-1699	4	CLAMP						
	10	1	2W-1248	4	CLAMP (TURBINE)						
	11	1	120-7532	1	HOUSING						
M	12	1	7X-0409	8	BOLT-HIGH TEMPERATURE (M10X1.5X20-MM) (HIGH TEMP)						
	13	1	9L-3899	8	LOCK						

M - METRIC PART
Y - SEPARATE ILLUSTRATION



GRAPHIC #1

<END>

g00283101

AIR INLET AND EXHAUST SYSTEM

134-5402 TURBOCHARGER GP*R

S/N: 66Z190-578

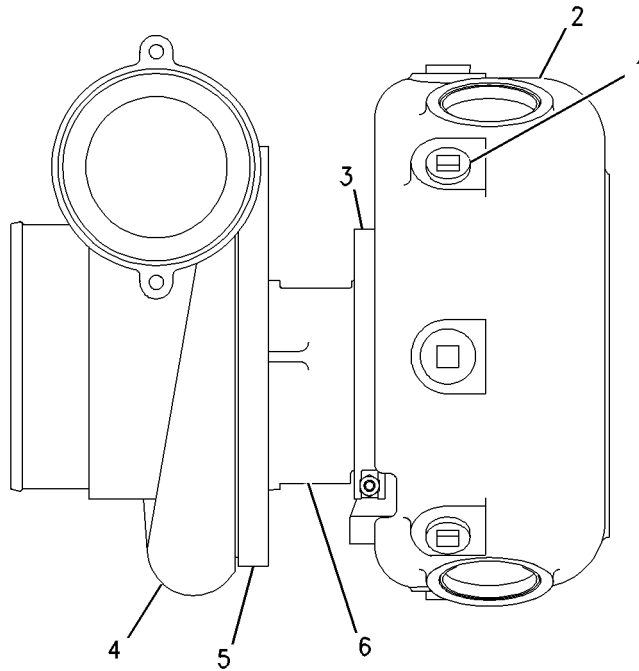
PART OF 136-9635 TURBOCHARGER GP
AN ATTACHMENT

SMCS-1052, 1053

i06269787

NOTE	REF NO	GRAPHIC REF	PART NUMBER	QTY	PART NAME						SEE PAGE
					1	2	3	4	5	6 (PRODUCT LEVEL)	
	1	1	1B-5174	4	PLUG-PIPE						
	2	1	6N-9908	1	HOUSING AS-TURBINE						
B		1	3B-0645	3	PLUG-CUP						
B		1	3P-1896	3	PLUG-CUP						
B		1	4N-0932	4	PLUG-CUP						
B		1	100-6816	4	PLUG-CUP						
	3	1	9N-2038	1	CLAMP AS-TURBINE						
	4	1	6I-0850	1	HOUSING-COMPRESSOR						
	5	1	7W-2297	1	CLAMP AS (COMPRESSOR)						
YR	6	1	118-2988	1	CARTRIDGE GP-TURBOCHARGER						815

B - USE AS REQUIRED
R - REMANUFACTURED PART MAY BE AVAILABLE
Y - SEPARATE ILLUSTRATION



GRAPHIC #1

<END>

g00758619

AIR INLET AND EXHAUST SYSTEM

135-0178 TURBOCHARGER GP

S/N: 66Z190-578

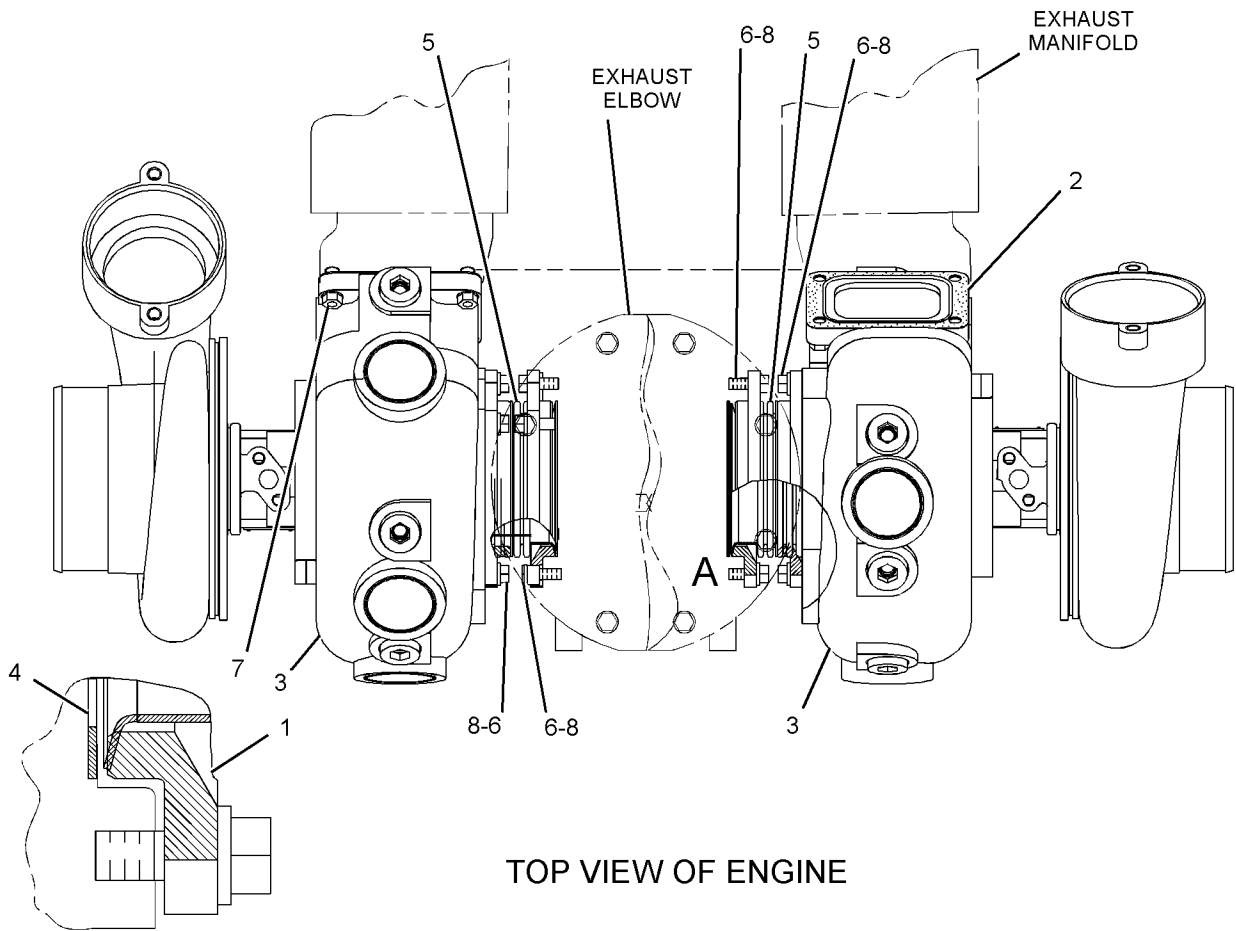
AN ATTACHMENT

SMCS-1052, 1053

i06006958

NOTE	REF NO	GRAPHIC REF	PART NUMBER	QTY	PART NAME						SEE PAGE
					1	2	3	4	5	6 (PRODUCT LEVEL)	
	1	1	6I-2102	8	FLANGE - HALF						
	2	1	121-5736	2	GASKET (TURBOCHARGER)						
YR	3	1	135-5101	2	TURBOCHARGER GP						914
	4	1	453-7799	4	GASKET (EXHAUST MANIFOLD)						
	5	1	210-2531	2	BELLOWS AS						
	6	1	0S-1594	16	BOLT (3/8-16X1-IN)						
	7	1	2N-2766	8	LOCKNUT (3/8-16-THD) (HIGH TEMPERATURE)						
	8	1	5M-2894	16	WASHER-HARD (10.2X18.5X2.5-MM THK)						

R - REMANUFACTURED PART MAY BE AVAILABLE
 Y - SEPARATE ILLUSTRATION



TOP VIEW OF ENGINE

VIEW OF AREA A
 GRAPHIC #1

<END>

g01513312

AIR INLET AND EXHAUST SYSTEM

135-5101 TURBOCHARGER GP*R

S/N: 66Z190-578

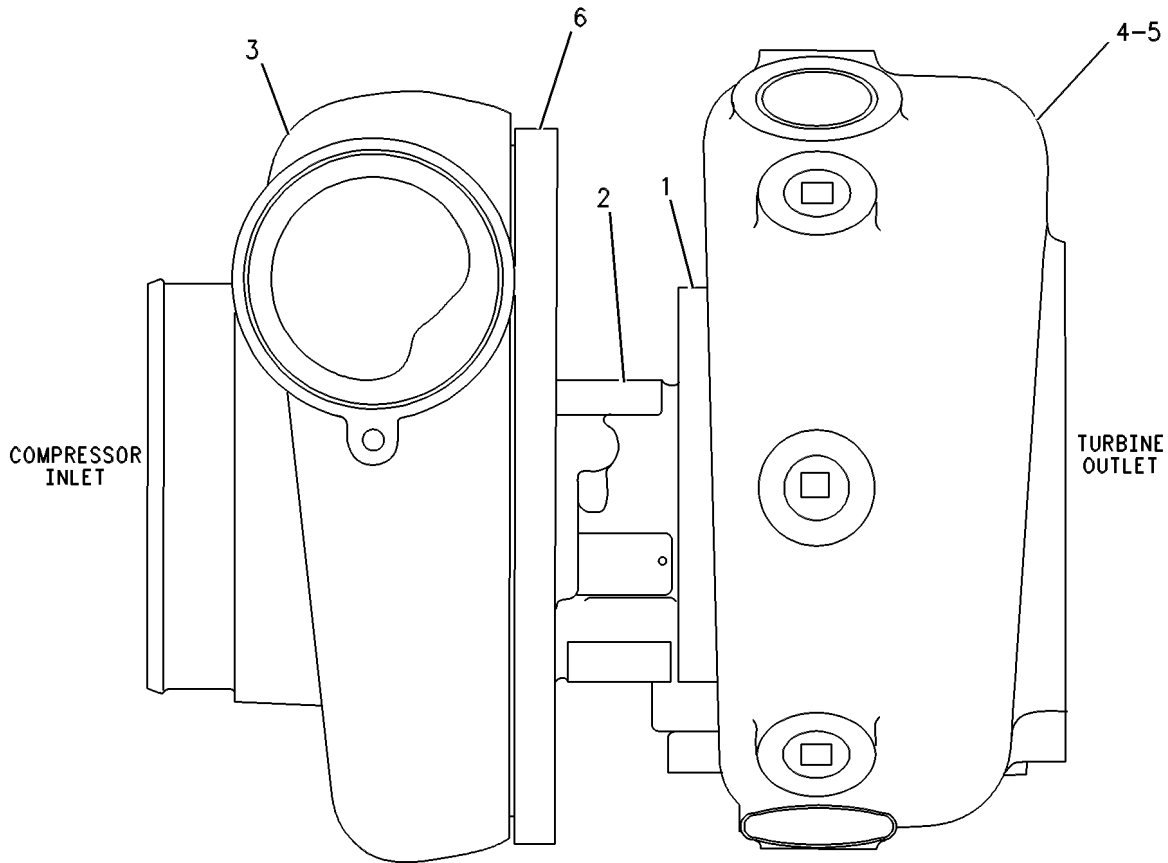
PART OF 135-0178 TURBOCHARGER GP
AN ATTACHMENT

SMCS-1052, 1053

i06269585

NOTE	REF NO	GRAPHIC REF	PART NUMBER	QTY	PART NAME						SEE PAGE
					1	2	3	4	5	6 (PRODUCT LEVEL)	
	1	1	9N-2038	1	CLAMP AS-TURBINE						
YR	2	1	118-2988	1	CARTRIDGE GP-TURBOCHARGER						815
	3	1	6I-0850	1	HOUSING-COMPRESSOR						
	4	1	6N-9910	1	HOUSING AS-TURBINE						
	5	1	3B-0645	3	PLUG-CUP						
		1	3P-1896	3	PLUG-CUP						
		1	4N-0932	4	PLUG-CUP						
		1	100-6816	4	PLUG-CUP						
	6	1	7W-2297	1	CLAMP AS (COMPRESSOR)						

R - REMANUFACTURED PART MAY BE AVAILABLE
Y - SEPARATE ILLUSTRATION



GRAPHIC #1

<END>

g00290881

AIR INLET AND EXHAUST SYSTEM

136-9635 TURBOCHARGER GP

S/N: 66Z190-578

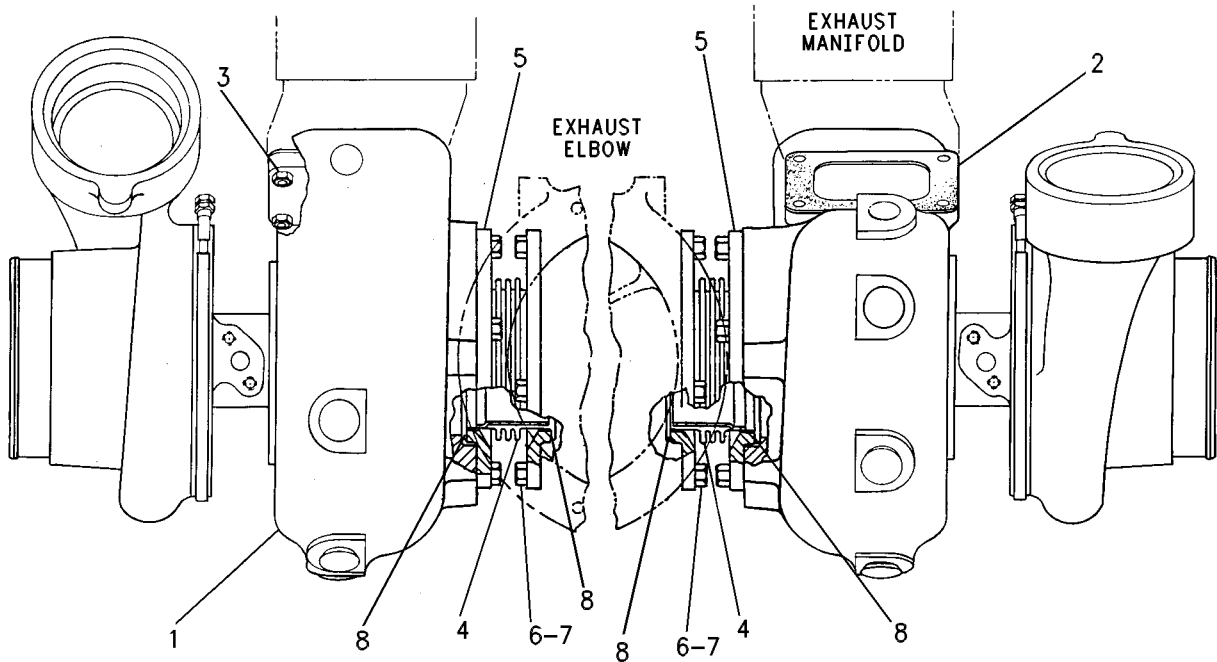
CANNOT BE USED WITH 140-7768 LINES GP-AIR
AN ATTACHMENT

SMCS-1052, 1053

i06006849

NOTE	REF NO	GRAPHIC REF	PART NUMBER	QTY	PART NAME						SEE PAGE
					1	2	3	4	5	6 (PRODUCT LEVEL)	
YR	1	1	134-5402	2	TURBOCHARGER GP						912
	2	1	121-5736	2	GASKET (TURBOCHARGER)						
	3	1	2N-2766	8	LOCKNUT (3/8-16-THD) (HIGH TEMPERATURE)						
	4	1	210-2531	2	BELLOWS AS						
	5	1	6I-2102	8	FLANGE-HALF						
	6	1	0S-1594	16	BOLT (3/8-16X1-IN)						
	7	1	5M-2894	16	WASHER-HARD (10.2X18.5X2.5-MM THK)						
	8	1	453-7799	4	GASKET (EXHAUST MANIFOLD)						

R - REMANUFACTURED PART MAY BE AVAILABLE
Y - SEPARATE ILLUSTRATION



GRAPHIC #1

<END>

g00624839

AIR INLET AND EXHAUST SYSTEM

1W-4095 TURBOCHARGER GP-LH

S/N: 66Z190-206

FIELD REPLACEMENT FOR 1W-4096-PAGE: 917

PART OF 8N-7804 TURBOCHARGER GP

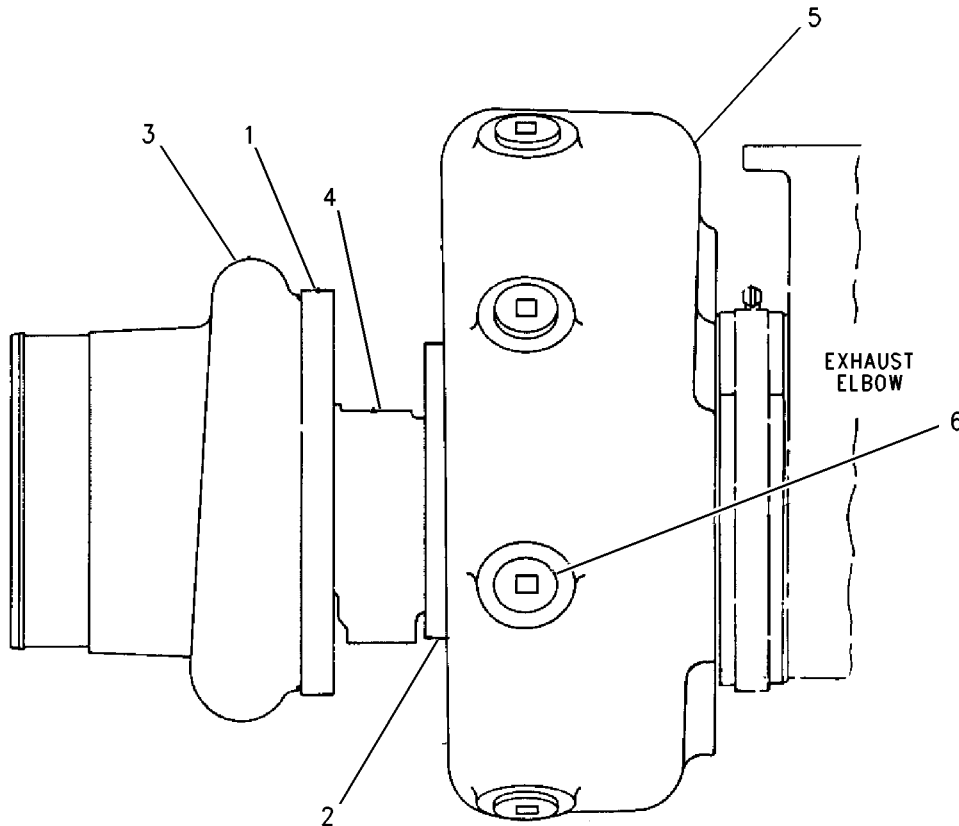
SMCS-1052, 1053

i01328626

NOTE	REF NO	GRAPHIC REF	PART NUMBER	QTY	PART NAME						SEE PAGE
					1	2	3	4	5	6 (PRODUCT LEVEL)	
	1	1	9N-2039	1	CLAMP AS (COMPRESSOR)						
		1	7M-9918	1	LOCKNUT (1/4-28-THD)						
	2	1	9N-2038	1	CLAMP AS-TURBINE						
		1	7M-9918	1	LOCKNUT (1/4-28-THD)						
	3	1	1W-4097	1	HOUSING-COMPRESSOR						
YR	4	1	1W-1653	1	CARTRIDGE GP-TURBOCHARGER						818
	5	1	6N-9910	1	HOUSING AS-TURBINE						
		1	3B-0645	3	PLUG-CUP						
		1	3P-1896	3	PLUG-CUP						
		1	4N-0932	4	PLUG-CUP						
		1	100-6816	4	PLUG-CUP						
	6	1	1B-5174	5	PLUG-PIPE						

R - REMANUFACTURED PART MAY BE AVAILABLE

Y - SEPARATE ILLUSTRATION



GRAPHIC #1

<END>

g00703021

AIR INLET AND EXHAUST SYSTEM

1W-4096 TURBOCHARGER GP-RH

S/N: 66Z190-206

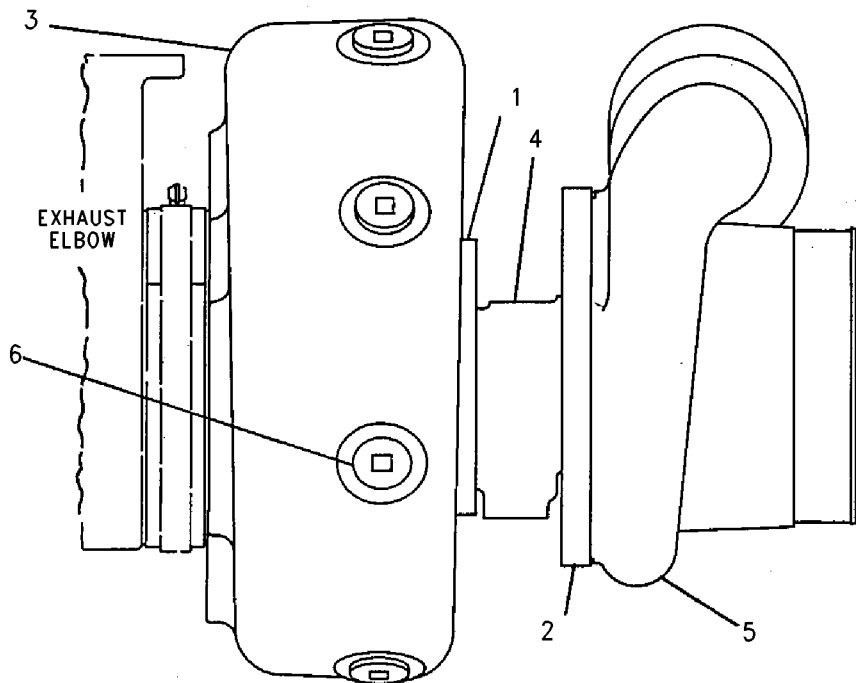
PART OF 8N-7804 TURBOCHARGER GP

SMCS-1052, 1053

i01332174

NOTE	REF NO	GRAPHIC REF	PART NUMBER	QTY	PART NAME						SEE PAGE
					1	2	3	4	5	6 (PRODUCT LEVEL)	
	1	1	9N-2039	1	CLAMP AS (COMPRESSOR)						
		1	7M-9918	1	LOCKNUT (1/4-28-THD)						
	2	1	9N-2038	1	CLAMP AS-TURBINE						
		1	7M-9918	1	LOCKNUT (1/4-28-THD)						
	3	1	6N-9910	1	HOUSING AS-TURBINE						
YR	4	1	1W-1653	1	CARTRIDGE GP-TURBOCHARGER						818
	5	1	1W-4097	1	HOUSING-COMPRESSOR						
	6	1	1B-5174	5	PLUG-PIPE						

R - REMANUFACTURED PART MAY BE AVAILABLE
 Y - SEPARATE ILLUSTRATION



GRAPHIC #1

<END>

g00704935

AIR INLET AND EXHAUST SYSTEM

1W-9872 TURBOCHARGER GP

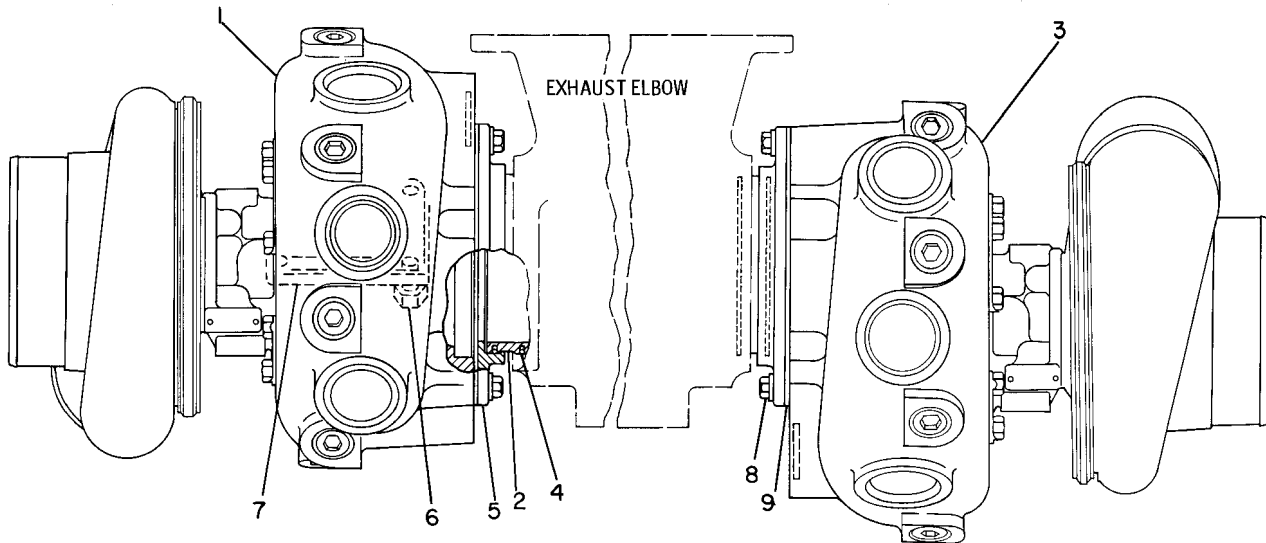
S/N: 50Y647

SMCS-1052, 1053

i00653081

NOTE	REF NO	GRAPHIC REF	PART NUMBER	QTY	PART NAME						SEE PAGE
					1	2	3	4	5	6 (PRODUCT LEVEL)	
CYR	1	1	4W-1232	1	TURBOCHARGER GP (LH)						924
	2	1	4W-1456	2	COUPLING-EXHAUST						
CY	3	1	<i>4W-1233</i>	1	TURBOCHARGER GP						925
	4	1	4W-1478	4	SEAL GP-EXHAUST						
	5	1	4W-1454	2	ADAPTER-EXHAUST						
	6	1	2N-2766	8	LOCKNUT (3/8-16-THD)						
	7	1	7M-7273	2	GASKET						
	8	1	0S-1594	8	BOLT (3/8-16X1-IN)						
		1	5M-2894	8	WASHER-HARD (10.2X18.5X2.5-MM THK)						
	9	1	4W-2359	2	GASKET						

C - CHANGE FROM PREVIOUS TYPE
R - REMANUFACTURED PART MAY BE AVAILABLE
Y - SEPARATE ILLUSTRATION



GRAPHIC #1

<END>

g00163043

AIR INLET AND EXHAUST SYSTEM

2W-9580 TURBOCHARGER GP

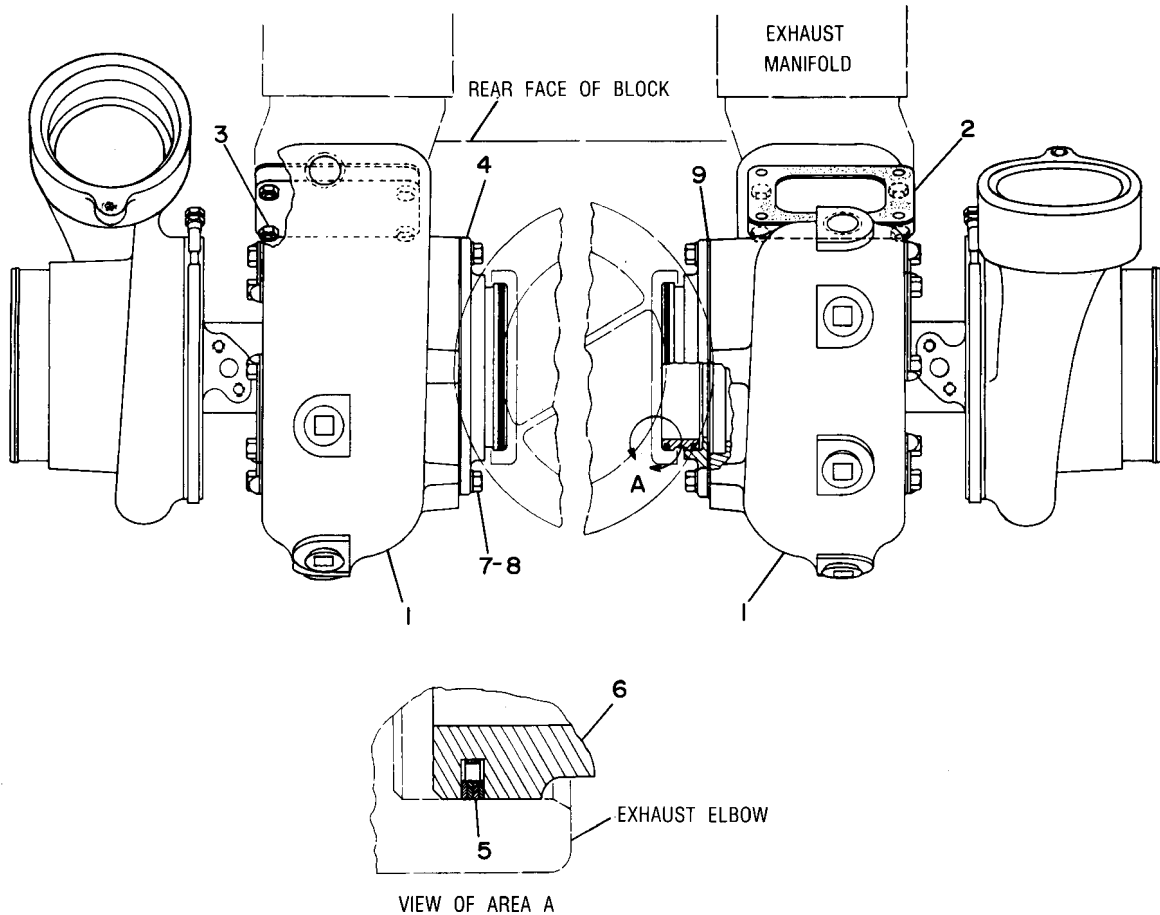
S/N: 50Y647-762

SMCS-1052, 1053

i00653215

NOTE	REF NO	GRAPHIC REF	PART NUMBER	QTY	PART NAME						SEE PAGE
					1	2	3	4	5	6 (PRODUCT LEVEL)	
YR	1	1	7W-3484	2	TURBOCHARGER GP						931
	2	1	7M-7273	2	GASKET						
	3	1	2N-2766	8	LOCKNUT (3/8-16-THD)						
	4	1	4W-1454	2	ADAPTER-EXHAUST						
	5	1	4W-1478	4	SEAL GP-EXHAUST						
	6	1	4W-1456	2	COUPLING-EXHAUST						
	7	1	0S-1594	8	BOLT (3/8-16X1-IN)						
	8	1	5M-2894	8	WASHER-HARD (10.2X18.5X2.5-MM THK)						
	9	1	4W-2359	2	GASKET						

R - REMANUFACTURED PART MAY BE AVAILABLE
 Y - SEPARATE ILLUSTRATION



GRAPHIC #1

<END>

g00172389

AIR INLET AND EXHAUST SYSTEM

2W-9598 TURBOCHARGER GP

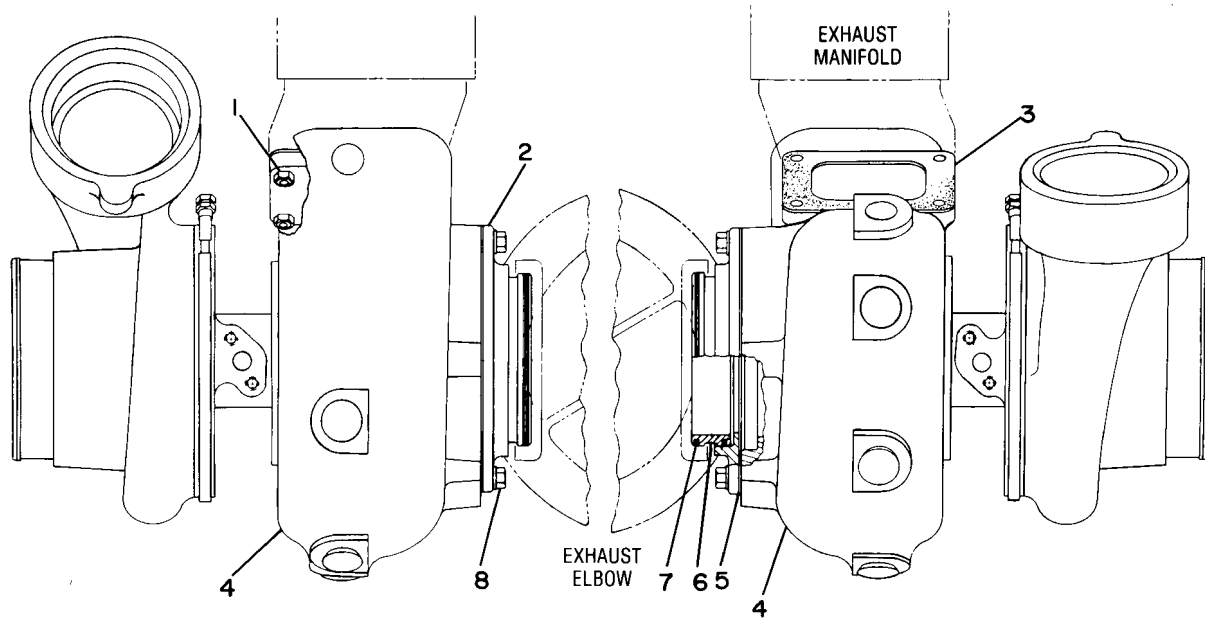
S/N: 66Z190-275

SMCS-1052, 1053

i00648831

NOTE	REF NO	GRAPHIC REF	PART NUMBER	QTY	PART NAME						SEE PAGE
					1	2	3	4	5	6 (PRODUCT LEVEL)	
	1	1	2N-2766	8	LOCKNUT (3/8-16-THD)						
	2	1	4W-1454	2	ADAPTER-EXHAUST						
	3	1	121-5736	2	GASKET (TURBOCHARGER)						
Y	4	1	7W-8010	2	TURBOCHARGER GP						932
	5	1	4W-2359	2	GASKET						
	6	1	4W-1455	2	COUPLING-EXHAUST						
	7	1	4W-1478	4	SEAL GP-EXHAUST						
	8	1	0S-1594	8	BOLT (3/8-16X1-IN)						
		1	5M-2894	8	WASHER-HARD (10.2X18.5X2.5-MM THK)						

Y - SEPARATE ILLUSTRATION



GRAPHIC #1

<END>

g00172055

AIR INLET AND EXHAUST SYSTEM

325-3816 TURBOCHARGER GP

S/N: 50Y647-1304

PART OF 357-0858 ENGINE AR-COMplete

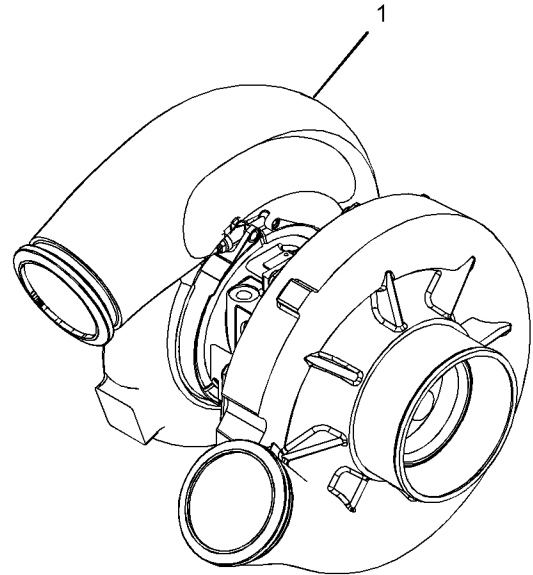
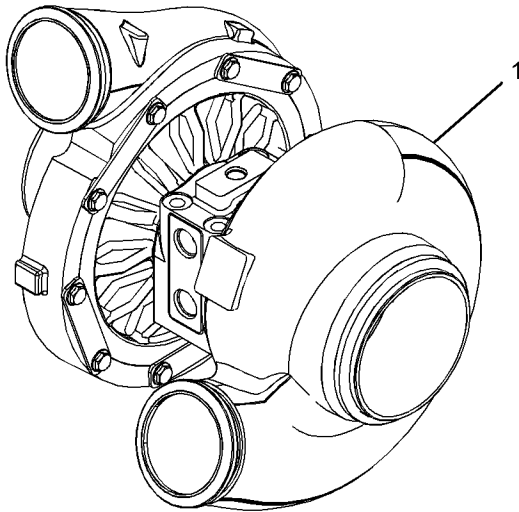
SMCS-1052, 1053

i04869489

NOTE	REF NO	GRAPHIC REF	PART NUMBER	QTY	PART NAME						SEE PAGE
					1	2	3	4	5	6 (PRODUCT LEVEL)	
YR	1	1	343-5682	2	TURBOCHARGER GP						922

R - REMANUFACTURED PART MAY BE AVAILABLE

Y - SEPARATE ILLUSTRATION



GRAPHIC #1

<END>

g01593236

AIR INLET AND EXHAUST SYSTEM

343-5682 TURBOCHARGER GP*R

S/N: 50Y647-1304

PART OF 325-3816 TURBOCHARGER GP

SMCS-1052, 1053

i06541480

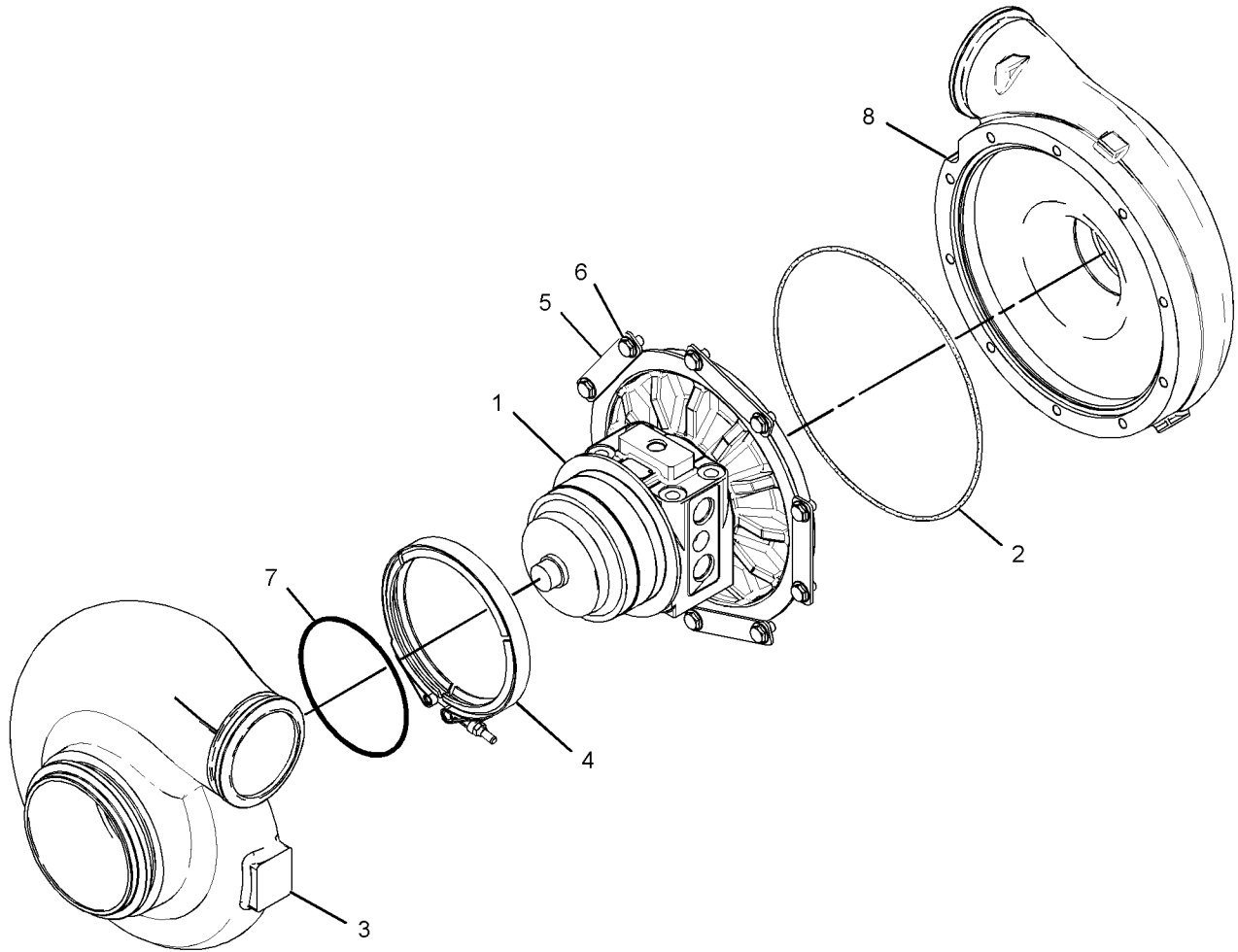
NOTE	REF NO	GRAPHIC REF	PART NUMBER	QTY	PART NAME						SEE PAGE
					1	2	3	4	5	6 (PRODUCT LEVEL)	
	1	1	343-5700	1	CARTRIDGE GP-TURBOCHARGER						
		1	461-3707	1	SEAL -RING						
		1	461-3716	2	SEAL RING-PISTON						
		1	461-3724	1	SEAL RING-PISTON						
		1	461-3744	1	COLLAR-THRUST						
		1	461-3788	1	BEARING-JOURNAL						
		1	2F-0808	2	SCREW (6X0.25-IN)						
		1	190-0390	1	BEARING-THRUST						
		1	190-0392	4	BOLT (3/8-16X1.2-IN)						
M		1	229-3558	3	BOLT (M5X0.8X16-MM)						
		1	461-3704	1	PIN						
		1	<i>332-0971</i>	1	PLUG AS						
		1	332-8945	1	PLUG						
		1	332-8946	1	WASHER (10.4X13.3X1.2-MM THK)						
	2	1	276-9520	1	SEAL-O-RING						
	3	1	283-1706	1	HOUSING-TURBINE						
	4	1	283-4294	1	CLAMP AS (TURBINE)						
	5	1	287-7199	5	PLATE-COMPRESSOR						
M	6	1	287-7200	10	BOLT (M10X1.5X16-MM)						
	7	1	304-3638	1	GASKET-EXHAUST						
	8	1	315-5170	1	HOUSING-COMPRESSOR						

M - METRIC PART

AIR INLET AND EXHAUST SYSTEM

343-5682 TURBOCHARGER GP (contd.)

106541480



GRAPHIC #1

<END>

g02100436

AIR INLET AND EXHAUST SYSTEM

4W-1232 TURBOCHARGER GP*R

S/N: 50Y647

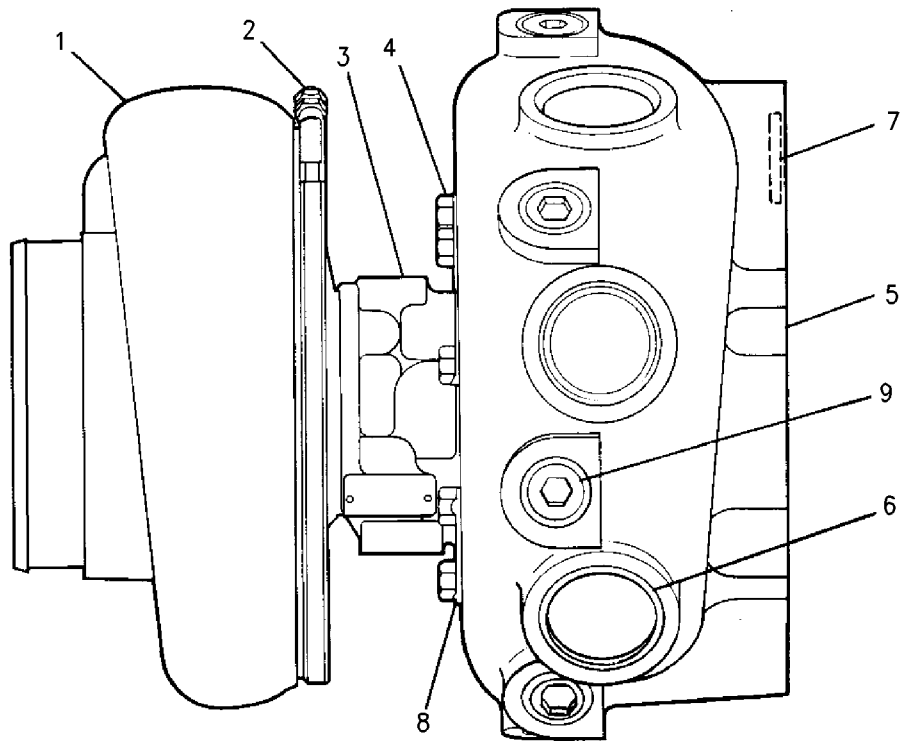
PART OF 1W-9872, 9Y-4564 TURBOCHARGER GP
ALSO AN ATTACHMENT

SMCS-1052, 1053

i03761783

NOTE	REF NO	GRAPHIC REF	PART NUMBER	QTY	PART NAME						SEE PAGE
					1	2	3	4	5	6 (PRODUCT LEVEL)	
	1	1	1N-3087	1	HOUSING-COMPRESSOR						
	2	1	1N-3279	1	CLAMP AS (COMPRESSOR)						
		1	7M-9918	1	LOCKNUT (1/4-28-THD)						
YR	3	1	4W-1225	1	CARTRIDGE GP-TURBOCHARGER						820
	4	1	6V-2751	8	BOLT-HIGH TEMPERATURE (3/8-16X0.75-IN)						
		1	1N-3259	4	PLATE-LOCK						
	5	1	1W-7770	1	HOUSING AS-TURBINE						
B	6	1	4N-0932	4	PLUG-CUP (STANDARD)						
B		1	100-6816	4	PLUG-CUP (ALTERNATE)						
B	7	1	3B-0645	3	PLUG-CUP (STANDARD)						
B		1	3P-1896	3	PLUG-CUP (ALTERNATE)						
	8	1	1N-3260	4	CLAMP (TURBINE)						
	9	1	3B-0551	5	PLUG-PIPE						

B - USE AS REQUIRED
R - REMANUFACTURED PART MAY BE AVAILABLE
Y - SEPARATE ILLUSTRATION



GRAPHIC #1

<END>

g00705225

AIR INLET AND EXHAUST SYSTEM

4W-1233 TURBOCHARGER GP

S/N: 50Y647

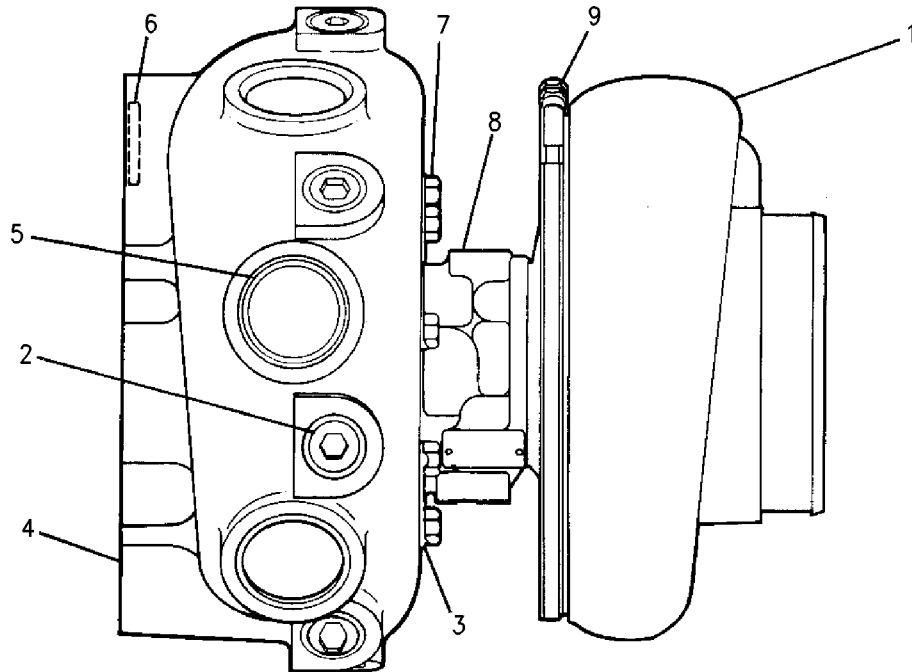
PART OF 1W-9872 TURBOCHARGER GP

SMCS-1052, 1053

i01333488

NOTE	REF NO	GRAPHIC REF	PART NUMBER	QTY	PART NAME						SEE PAGE
					1	2	3	4	5	6 (PRODUCT LEVEL)	
	1	1	1N-3087	1	HOUSING-COMPRESSOR						
	2	1	3B-0551	5	PLUG-PIPE						
	3	1	1N-3260	4	CLAMP (TURBINE)						
	4	1	1W-7770	1	HOUSING AS-TURBINE						
	5	1	4N-0932	4	PLUG-CUP (STANDARD)						
		1	100-6816	4	PLUG-CUP (ALTERNATE)						
	6	1	3B-0645	3	PLUG-CUP (STANDARD)						
		1	3P-1896	3	PLUG-CUP (ALTERNATE)						
	7	1	6V-2751	8	BOLT-HIGH TEMPERATURE (3/8-16X0.75-IN)						
		1	1N-3259	4	PLATE-LOCK						
YR	8	1	4W-1225	1	CARTRIDGE GP-TURBOCHARGER						820
	9	1	1N-3279	1	CLAMP AS (COMPRESSOR)						
		1	7M-9918	1	LOCKNUT (1/4-28-THD)						

R - REMANUFACTURED PART MAY BE AVAILABLE
 Y - SEPARATE ILLUSTRATION



GRAPHIC #1

<END>

g00705241

AIR INLET AND EXHAUST SYSTEM

4W-2173 TURBOCHARGER GP

S/N: 66Z191-578

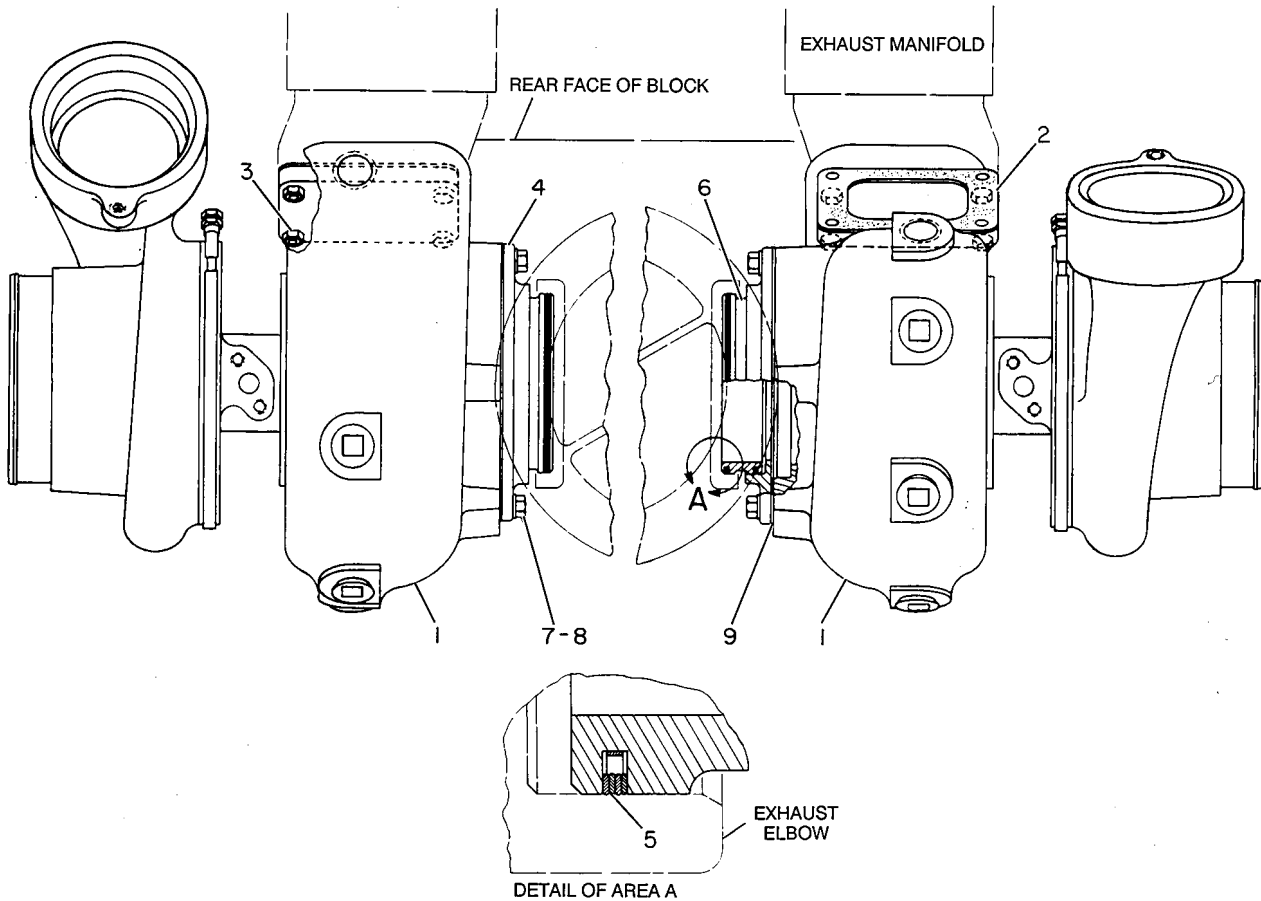
AN ATTACHMENT

SMCS-1052, 1053

i00648760

NOTE	REF NO	GRAPHIC REF	PART NUMBER	QTY	PART NAME						SEE PAGE
					1	2	3	4	5	6 (PRODUCT LEVEL)	
YR	1	1	7W-8011	2	TURBOCHARGER GP						933
	2	1	121-5736	2	GASKET (TURBOCHARGER)						
	3	1	2N-2766	8	LOCKNUT (3/8-16-THD)						
	4	1	4W-1454	2	ADAPTER-EXHAUST						
	5	1	4W-1478	4	SEAL GP-EXHAUST						
	6	1	4W-1455	2	COUPLING-EXHAUST						
	7	1	0S-1594	8	BOLT (3/8-16X1-IN)						
	8	1	5M-2894	8	WASHER-HARD (10.2X18.5X2.5-MM THK)						
	9	1	4W-2359	2	GASKET						

R - REMANUFACTURED PART MAY BE AVAILABLE
 Y - SEPARATE ILLUSTRATION



GRAPHIC #1

<END>

g00172157

AIR INLET AND EXHAUST SYSTEM

4W-2175 TURBOCHARGER GP

S/N: 50Y647-1304

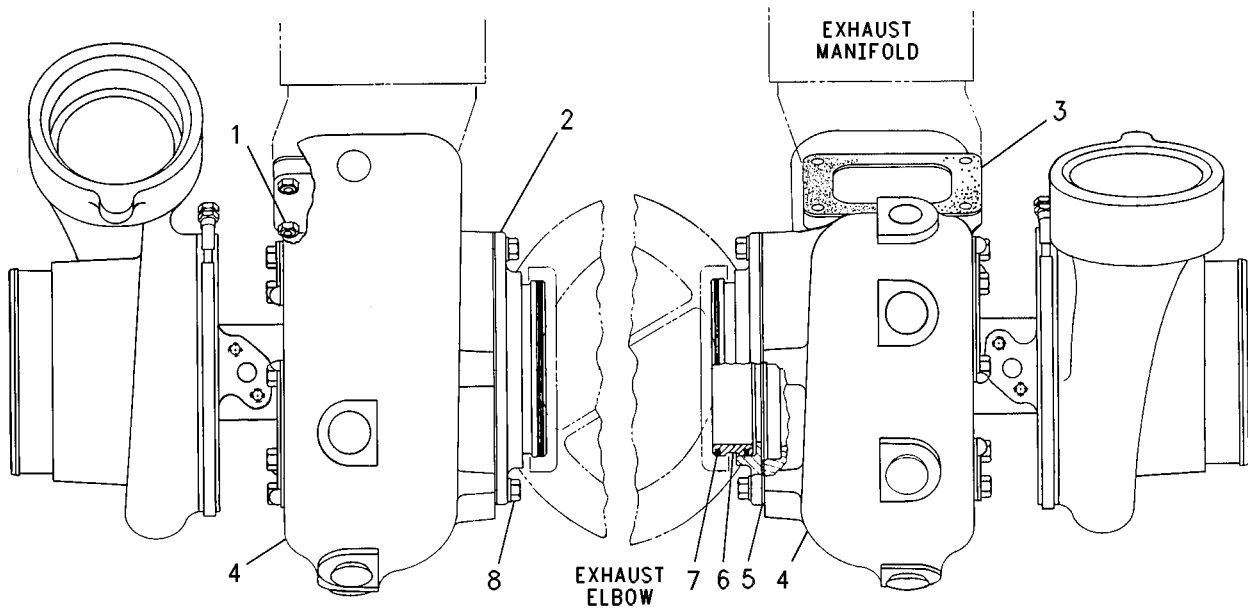
WATERCOOLED
AN ATTACHMENT

SMCS-1052, 1053

i00969506

NOTE	REF NO	GRAPHIC REF	PART NUMBER	QTY	PART NAME						SEE PAGE
					1	2	3	4	5	6 (PRODUCT LEVEL)	
	1	1	2N-2766	8	LOCKNUT (3/8-16-THD)						
	2	1	4W-1454	2	ADAPTER-EXHAUST						
	3	1	7M-7273	2	GASKET						
Y	4	1	7W-9564	2	TURBOCHARGER GP						934
	5	1	4W-2359	2	GASKET						
	6	1	4W-1456	2	COUPLING-EXHAUST						
	7	1	4W-1478	4	SEAL GP-EXHAUST						
	8	1	0S-1594	8	BOLT (3/8-16X1-IN)						
		1	5M-2894	8	WASHER-HARD (10.2X18.5X2.5-MM THK)						

Y - SEPARATE ILLUSTRATION



GRAPHIC #1

<END>

g00495914

AIR INLET AND EXHAUST SYSTEM

528-8390 TURBOCHARGER GP

S/N: 50Y647-1304

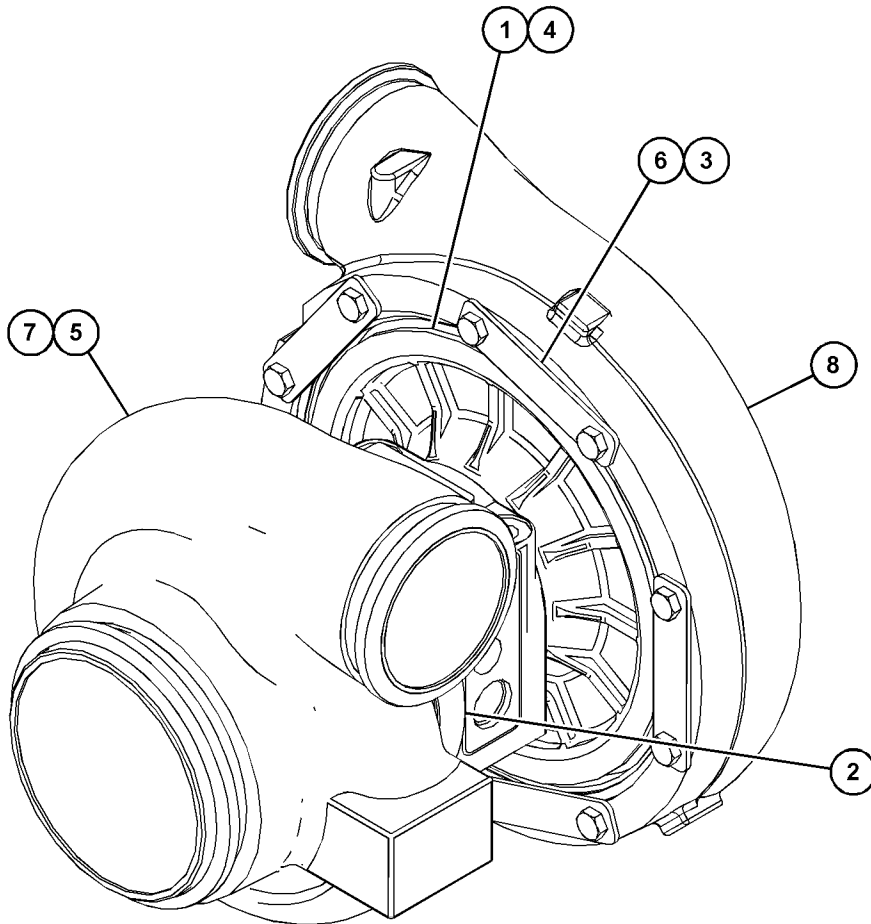
PART OF 357-1809 KIT-ENGINE CONVERSION

SMCS-1052, 1053

i07499409

NOTE	REF NO	GRAPHIC REF	PART NUMBER	QTY	PART NAME						SEE PAGE
					1	2	3	4	5	6 (PRODUCT LEVEL)	
Y	1	1	528-8391	1	CARTRIDGE GP-TURBOCHARGER						822
	2	1	283-4294	1	CLAMP AS (TURBINE)						
M	3	1	8T-4191	10	BOLT (M10X1.5X16-MM)						
	4	1	276-9520	1	SEAL-O-RING						
	5	1	283-1706	1	HOUSING-TURBINE						
	6	1	287-7199	5	PLATE-COMPRESSOR						
	7	1	304-3638	1	GASKET-EXHAUST						
	8	1	315-5170	1	HOUSING-COMPRESSOR						

M - METRIC PART
Y - SEPARATE ILLUSTRATION



GRAPHIC #1

<END>

g06336520

AIR INLET AND EXHAUST SYSTEM

7C-0580 TURBOCHARGER GP

S/N: 50Y648-1304

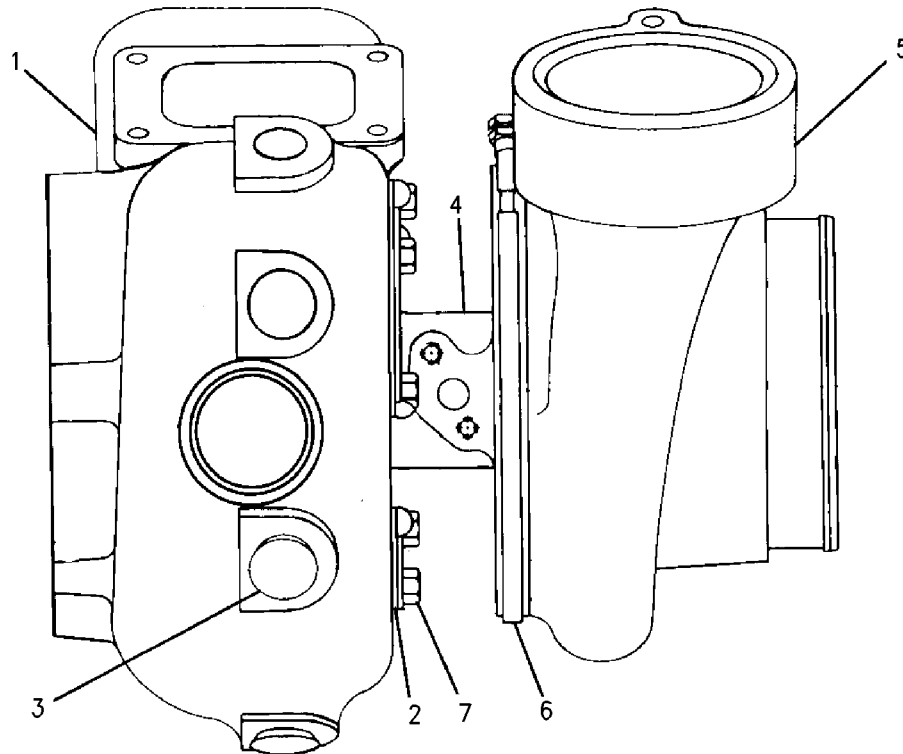
PART OF 7C-0635, 9Y-4562 TURBOCHARGER GP
AN ATTACHMENT

SMCS-1052, 1053

i02835392

NOTE	REF NO	GRAPHIC REF	PART NUMBER	QTY	PART NAME						SEE PAGE
					1	2	3	4	5	6 (PRODUCT LEVEL)	
	1	1	7C-0581	1	HOUSING AS-TURBINE						
B		1	3B-0645	3	PLUG-CUP (STANDARD)						
B		1	3P-1896	3	PLUG-CUP (ALTERNATE)						
B		1	4N-0932	4	PLUG-CUP (STANDARD)						
B		1	100-6816	4	PLUG-CUP (ALTERNATE)						
	2	1	1N-3260	4	CLAMP (TURBINE)						
	3	1	1B-5174	7	PLUG-PIPE						
YR	4	1	7W-3570	1	CARTRIDGE GP-TURBOCHARGER						826
	5	1	7W-2299	1	HOUSING-COMPRESSOR						
	6	1	7W-2297	1	CLAMP AS (COMPRESSOR)						
		1	7M-9918	1	LOCKNUT (1/4-28-THD)						
	7	1	6V-2751	8	BOLT-HIGH TEMPERATURE (3/8-16X0.75-IN)						
		1	1N-3259	4	PLATE-LOCK						

B - USE AS REQUIRED
R - REMANUFACTURED PART MAY BE AVAILABLE
Y - SEPARATE ILLUSTRATION



GRAPHIC #1

<END>

g00707361

AIR INLET AND EXHAUST SYSTEM

7C-0635 TURBOCHARGER GP

S/N: 50Y648-1304

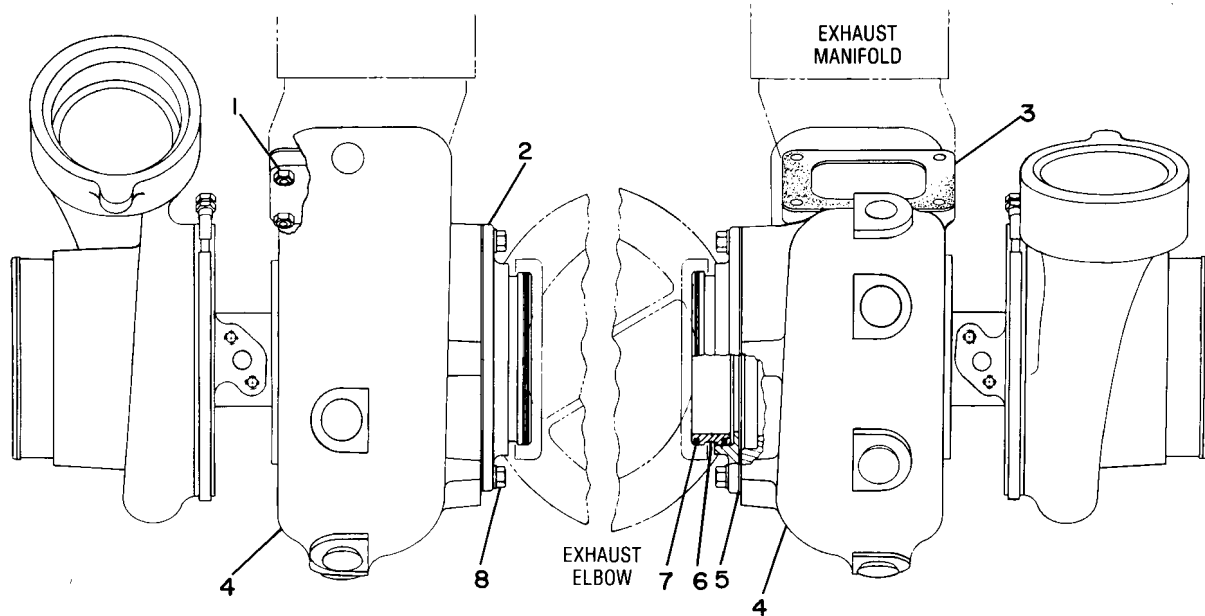
AN ATTACHMENT

SMCS-1052, 1053

i00652209

NOTE	REF NO	GRAPHIC REF	PART NUMBER	QTY	PART NAME						SEE PAGE
					1	2	3	4	5	6 (PRODUCT LEVEL)	
	1	1	2N-2766	8	LOCKNUT (3/8-16-THD)						
	2	1	4W-1454	2	ADAPTER-EXHAUST						
	3	1	7M-7273	2	GASKET						
Y	4	1	7C-0580	2	TURBOCHARGER GP						929
	5	1	4W-2359	2	GASKET						
	6	1	4W-1456	2	COUPLING-EXHAUST						
	7	1	4W-1478	4	SEAL GP-EXHAUST						
	8	1	0S-1594	8	BOLT (3/8-16X1-IN)						
		1	5M-2894	8	WASHER-HARD (10.2X18.5X2.5-MM THK)						

Y - SEPARATE ILLUSTRATION



GRAPHIC #1

<END>

g00172055

AIR INLET AND EXHAUST SYSTEM

7W-3484 TURBOCHARGER GP*R

S/N: 50Y647-1174

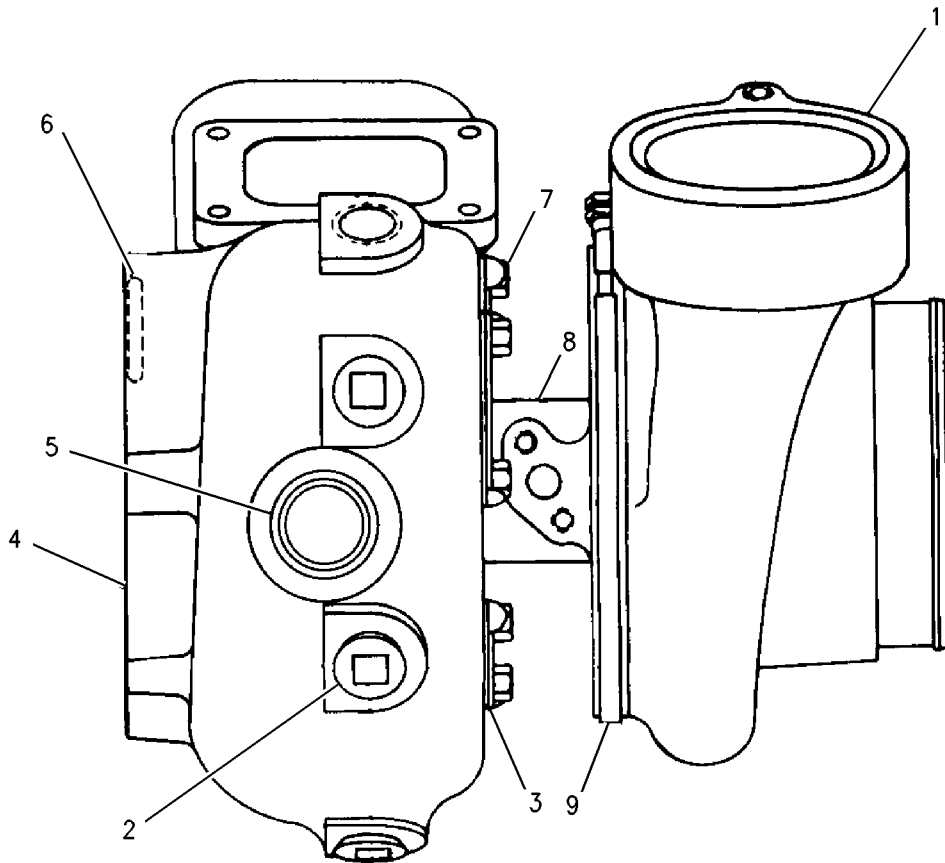
PART OF 2W-9580, 9Y-5598 TURBOCHARGER GP

SMCS-1052, 1053

i02835398

NOTE	REF NO	GRAPHIC REF	PART NUMBER	QTY	PART NAME						SEE PAGE
					1	2	3	4	5	6 (PRODUCT LEVEL)	
	1	1	7W-2299	1	HOUSING-COMPRESSOR						
	2	1	1B-5174	7	PLUG-PIPE						
	3	1	1N-3260	4	CLAMP (TURBINE)						
	4	1	1W-7770	1	HOUSING AS-TURBINE						
B	5	1	4N-0932	4	PLUG-CUP (STANDARD)						
B	6	1	3B-0645	3	PLUG-CUP (STANDARD)						
B		1	3P-1896	3	PLUG-CUP (ALTERNATE)						
B		1	100-6816	4	PLUG-CUP (ALTERNATE)						
	7	1	6V-2751	8	BOLT-HIGH TEMPERATURE (3/8-16X0.75-IN)						
		1	1N-3259	4	PLATE-LOCK						
YR	8	1	7W-3570	1	CARTRIDGE GP-TURBOCHARGER						826
	9	1	7W-2297	1	CLAMP AS (COMPRESSOR)						
		1	7M-9918	1	LOCKNUT (1/4-28-THD)						

B - USE AS REQUIRED
R - REMANUFACTURED PART MAY BE AVAILABLE
Y - SEPARATE ILLUSTRATION



GRAPHIC #1

<END>

g00708538

AIR INLET AND EXHAUST SYSTEM

7W-8010 TURBOCHARGER GP

S/N: 66Z190-578

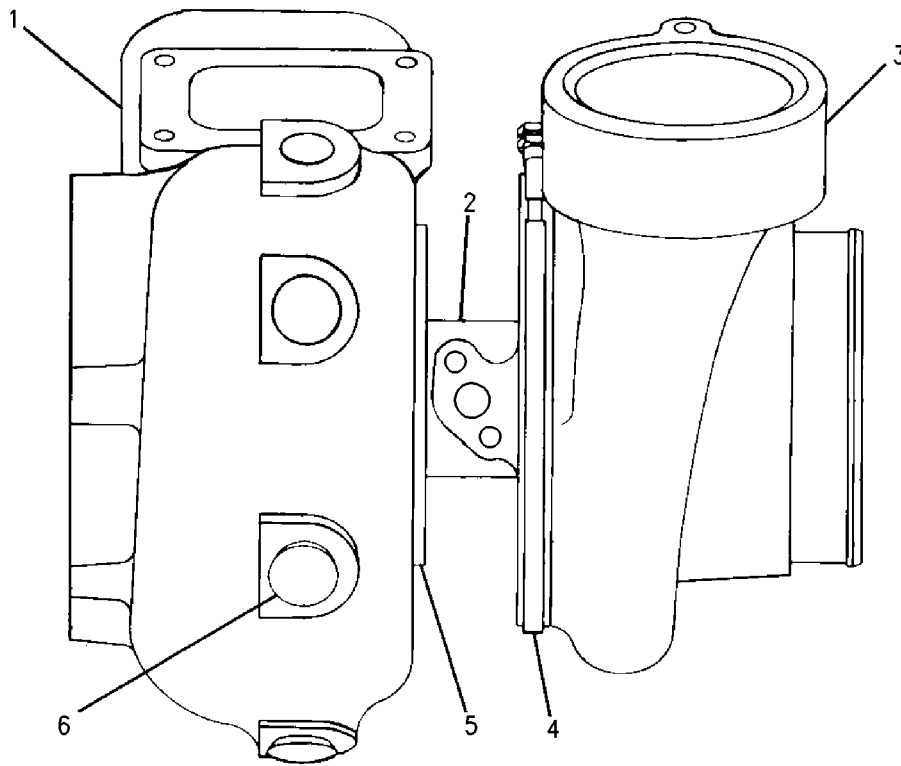
PART OF 2W-9598, 9Y-5596 TURBOCHARGER GP

SMCS-1052, 1053

i01340011

NOTE	REF NO	GRAPHIC REF	PART NUMBER	QTY	PART NAME						SEE PAGE
					1	2	3	4	5	6 (PRODUCT LEVEL)	
	1	1	6N-9908	1	HOUSING AS-TURBINE						
YR	2	1	6N-7960	1	CARTRIDGE GP-TURBOCHARGER						824
	3	1	6N-7959	1	HOUSING-COMPRESSOR						
	4	1	9N-2039	1	CLAMP AS (COMPRESSOR)						
		1	7M-9918	1	LOCKNUT (1/4-28-THD)						
	5	1	9N-2038	1	CLAMP AS-TURBINE						
		1	7M-9918	1	LOCKNUT (1/4-28-THD)						
	6	1	1B-5174	7	PLUG-PIPE						

R - REMANUFACTURED PART MAY BE AVAILABLE
 Y - SEPARATE ILLUSTRATION



GRAPHIC #1

<END>

g00708613

AIR INLET AND EXHAUST SYSTEM

7W-8011 TURBOCHARGER GP*R

S/N: 66Z191-578

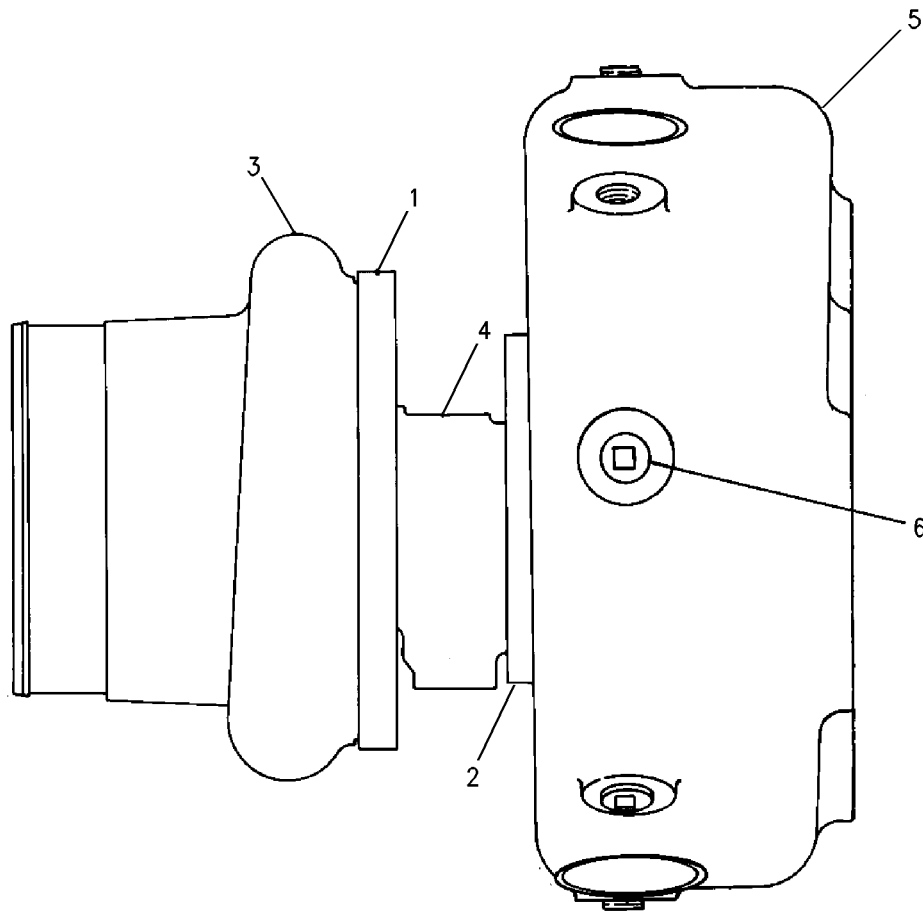
PART OF 4W-2173, 9Y-6093 TURBOCHARGER GP
AN ATTACHMENT

SMCS-1052, 1053

i01334367

NOTE	REF NO	GRAPHIC REF	PART NUMBER	QTY	PART NAME						SEE PAGE
					1	2	3	4	5	6 (PRODUCT LEVEL)	
	1	1	9N-2039	1	CLAMP AS (COMPRESSOR)						
		1	7M-9918	1	LOCKNUT (1/4-28-THD)						
	2	1	9N-2038	1	CLAMP AS-TURBINE						
		1	7M-9918	1	LOCKNUT (1/4-28-THD)						
	3	1	6N-7959	1	HOUSING-COMPRESSOR						
YR	4	1	6N-7960	1	CARTRIDGE GP-TURBOCHARGER						824
	5	1	7C-6708	1	HOUSING AS-TURBINE						
B		1	3B-0645	3	PLUG-CUP						
B		1	3P-1896	3	PLUG-CUP						
B		1	4N-0932	4	PLUG-CUP						
B		1	100-6816	4	PLUG-CUP						
	6	1	1B-5174	7	PLUG-PIPE						

B - USE AS REQUIRED
R - REMANUFACTURED PART MAY BE AVAILABLE
Y - SEPARATE ILLUSTRATION



GRAPHIC #1

<END>

g00705474

AIR INLET AND EXHAUST SYSTEM

7W-9564 TURBOCHARGER GP

S/N: 50Y647-1304

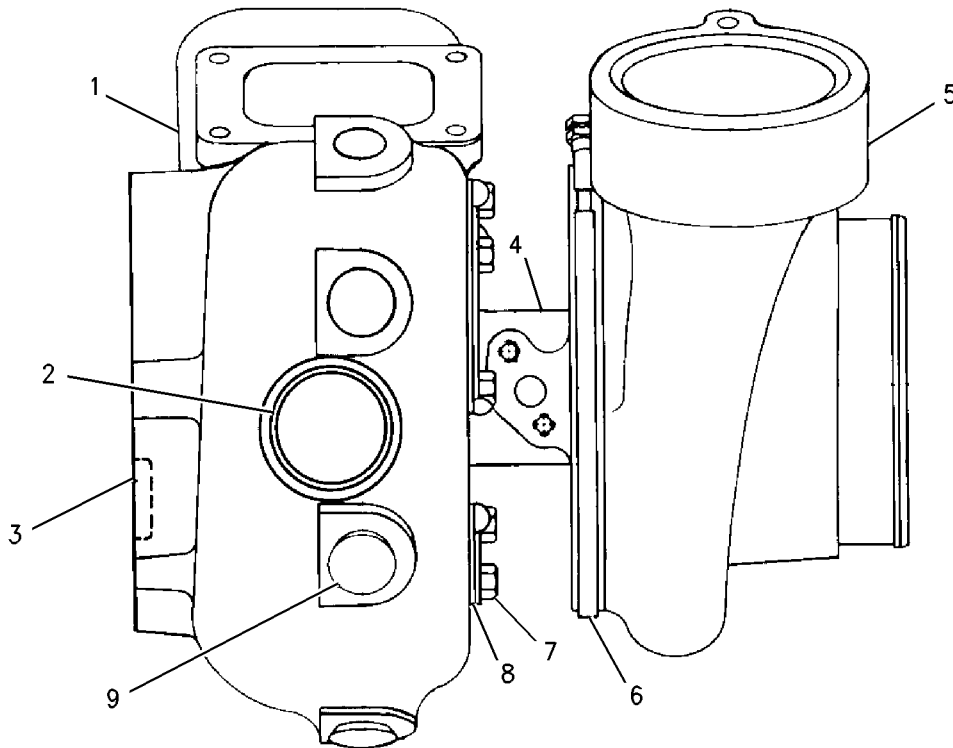
PART OF 4W-2175, 9Y-4563 TURBOCHARGER GP
AN ATTACHMENT

SMCS-1052, 1053

i01340158

NOTE	REF NO	GRAPHIC REF	PART NUMBER	QTY	PART NAME						SEE PAGE
					1	2	3	4	5	6	
	1	1	1W-0443	1	HOUSING AS-TURBINE						
B	2	1	3B-0645	3	PLUG-CUP						
B	3	1	4N-0932	4	PLUG-CUP						
B		1	3P-1896	3	PLUG-CUP (ALTERNATE)						
B		1	100-6816	4	PLUG-CUP (ALTERNATE)						
YR	4	1	7W-3570	1	CARTRIDGE GP-TURBOCHARGER						826
	5	1	7W-2299	1	HOUSING-COMPRESSOR						
	6	1	7W-2297	1	CLAMP AS (COMPRESSOR) (COMPRESSOR)						
		1	7M-9918	1	LOCKNUT (1/4-28-THD)						
	7	1	6V-2751	8	BOLT-HIGH TEMPERATURE (3/8-16X0.75-IN)						
		1	1N-3259	4	PLATE-LOCK						
	8	1	1N-3260	4	CLAMP (TURBINE)						
	9	1	1B-5174	4	PLUG-PIPE						

B - USE AS REQUIRED
R - REMANUFACTURED PART MAY BE AVAILABLE
Y - SEPARATE ILLUSTRATION



GRAPHIC #1

<END>

g00708700

AIR INLET AND EXHAUST SYSTEM

8N-7804 TURBOCHARGER GP

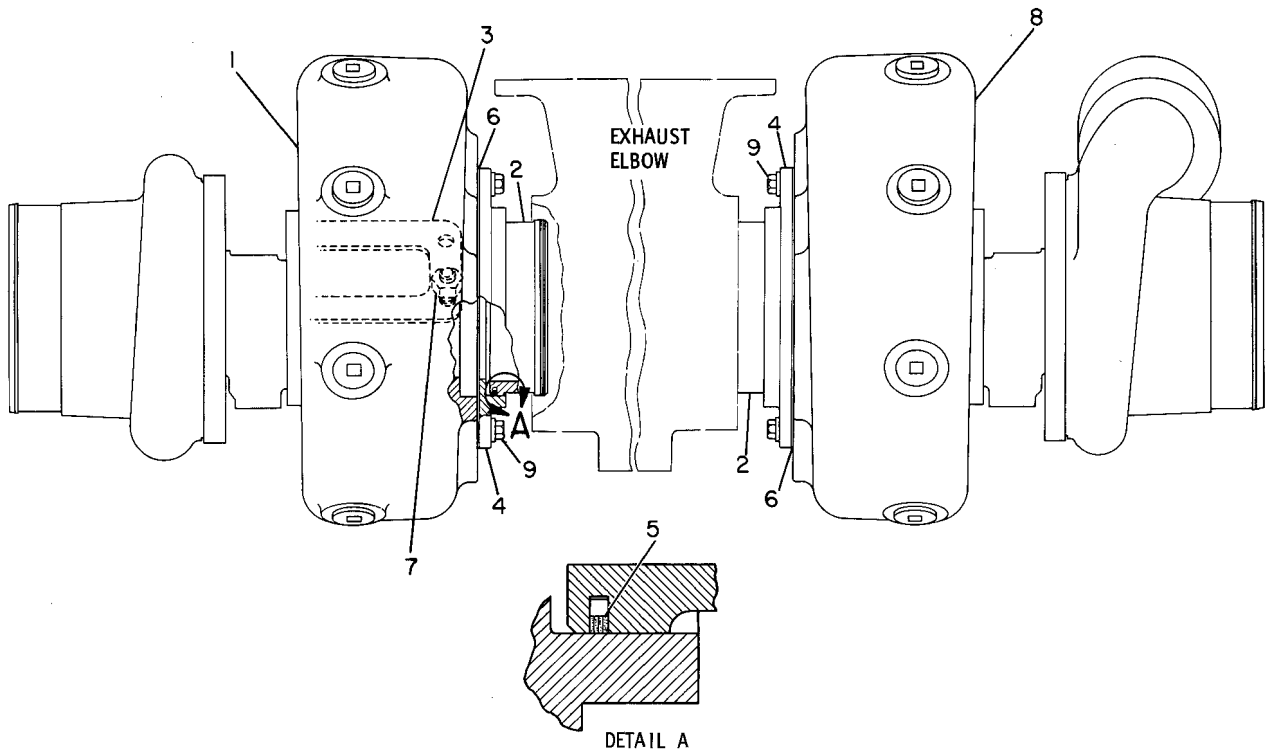
S/N: 66Z190-206

SMCS-1052, 1053

i00652954

NOTE	REF NO	GRAPHIC REF	PART NUMBER	QTY	PART NAME						SEE PAGE
					1	2	3	4	5	6 (PRODUCT LEVEL)	
Y	1	1	1W-4095	1	TURBOCHARGER GP						916
C	2	1	4W-1455	2	COUPLING-EXHAUST						
	3	1	7M-7273	2	GASKET						
C	4	1	4W-1454	2	ADAPTER-EXHAUST						
C	5	1	4W-1478	4	SEAL GP-EXHAUST						
C	6	1	4W-2359	2	GASKET						
	7	1	2N-2766	8	LOCKNUT (3/8-16-THD)						
Y	8	1	1W-4096	1	TURBOCHARGER GP						917
C	9	1	0S-1594	8	BOLT (3/8-16X1-IN)						
C		1	5M-2894	8	WASHER-HARD (10.2X18.5X2.5-MM THK)						

C - CHANGE FROM PREVIOUS TYPE
 Y - SEPARATE ILLUSTRATION



GRAPHIC #1

<END>

g00161763

AIR INLET AND EXHAUST SYSTEM

9Y-4562 TURBOCHARGER GP

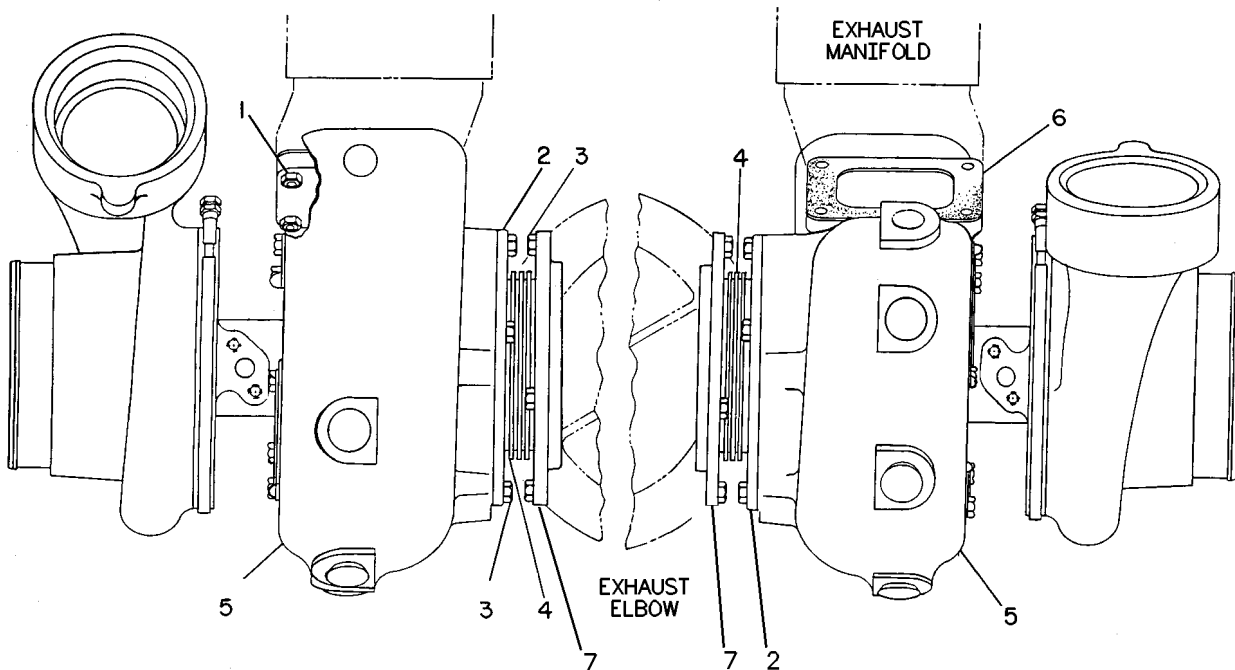
S/N: 50Y647-1304
 FOR USE WITH EXHAUST ELBOW,
 AN ATTACHMENT
 TYPE 1

SMCS-1052, 1053

i00940633

NOTE	REF NO	GRAPHIC REF	PART NUMBER	QTY	PART NAME						SEE PAGE
					1	2	3	4	5	6	
	1	1	2N-2766	8	LOCKNUT (3/8-16-THD)						
	2	1	9Y-5582	4	FLANGE - HALF						
	3	1	0S-1594	16	BOLT (3/8-16X1-IN)						
		1	5M-2894	16	WASHER - HARD (10.2X18.5X2.5-MM THK)						
	4	1	9Y-5377	2	BELLOWS AS						
Y	5	1	7C-0580	2	TURBOCHARGER GP						929
	6	1	7M-7273	2	GASKET						
	7	1	9Y-5583	4	FLANGE - HALF						

Y - SEPARATE ILLUSTRATION



GRAPHIC #1

<END>

g00201462

AIR INLET AND EXHAUST SYSTEM

9Y-4562 TURBOCHARGER GP

S/N: 50Y647-1304

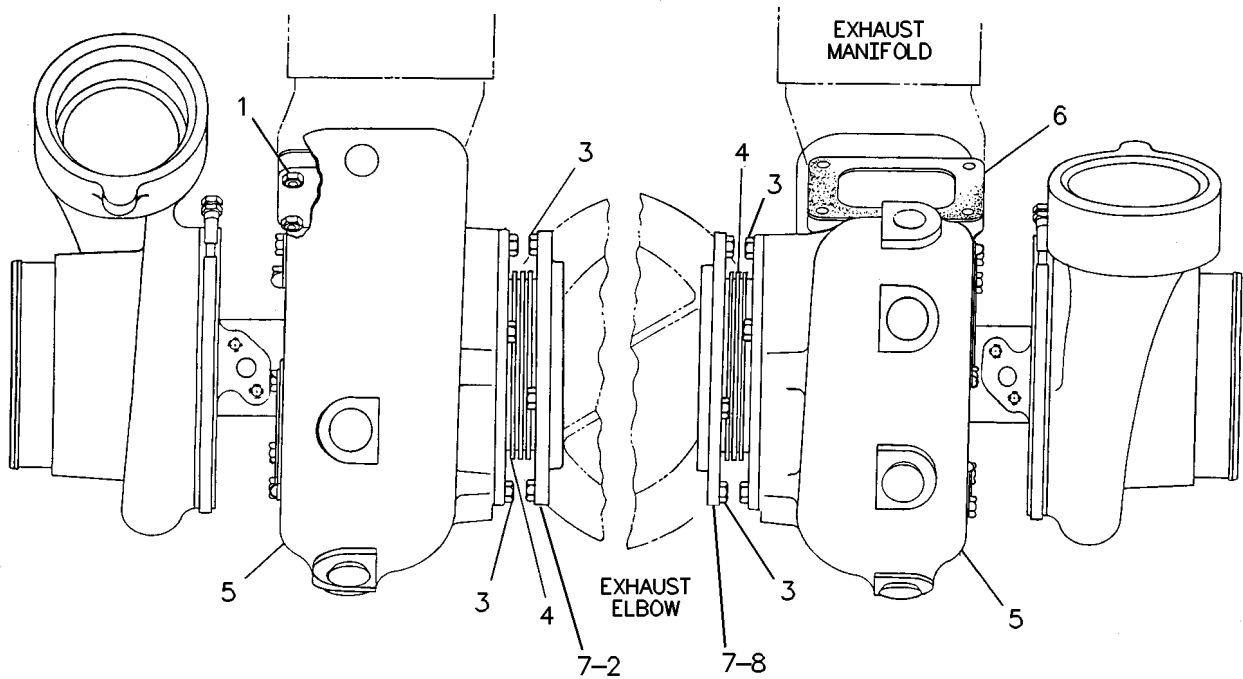
FOR USE WITH EXHAUST ELBOW,
AN ATTACHMENT
TYPE 2

SMCS-1052, 1053

i00940632

NOTE	REF NO	GRAPHIC REF	PART NUMBER	QTY	PART NAME						SEE PAGE
					1	2	3	4	5	6 (PRODUCT LEVEL)	
	1	1	2N-2766	8	LOCKNUT (3/8-16-THD)						
	2	1	7E-2943	2	GASKET-EXHAUST MANIFOLD						
	3	1	0S-1594	16	BOLT (3/8-16X1-IN)						
		1	5M-2894	16	WASHER-HARD (10.2X18.5X2.5-MM THK)						
	4	1	6I-2007	2	BELLOWS AS						
Y	5	1	7C-0580	2	TURBOCHARGER GP						929
	6	1	7M-7273	2	GASKET						
	7	1	6I-2102	8	FLANGE-HALF						
	8	1	7E-2940	2	GASKET-EXHAUST MANIFOLD						

Y - SEPARATE ILLUSTRATION



GRAPHIC #1

<END>

g00225836

AIR INLET AND EXHAUST SYSTEM

9Y-4562 TURBOCHARGER GP

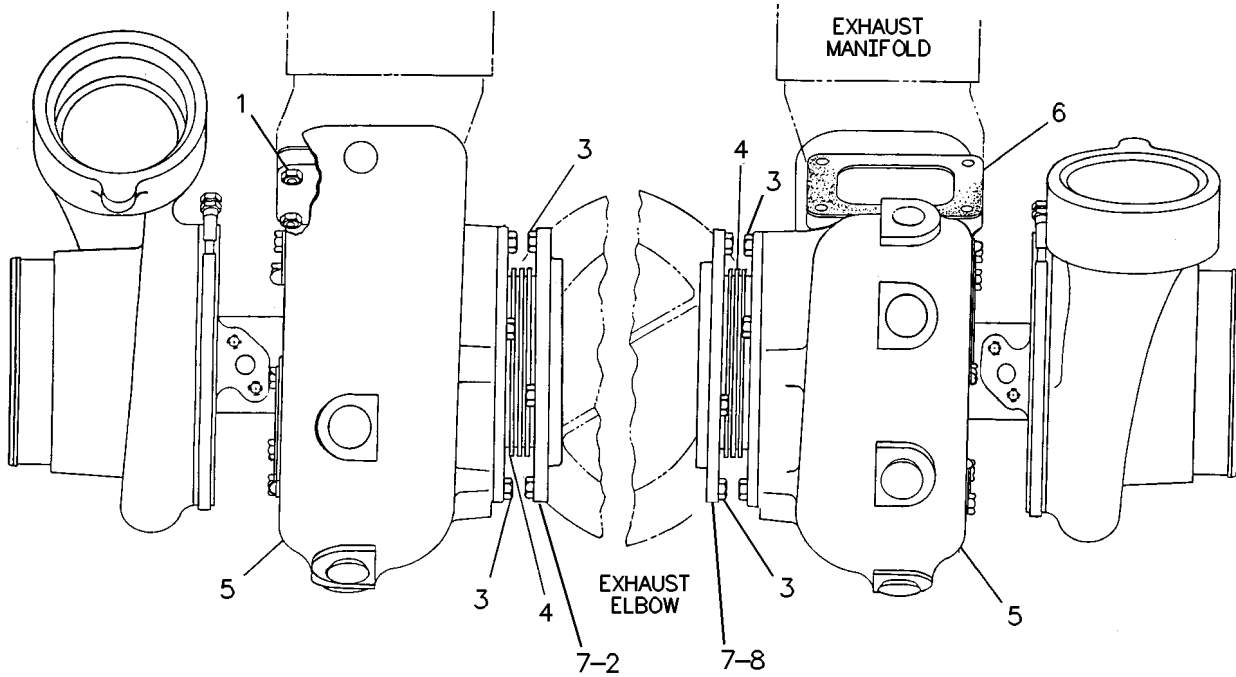
S/N: 50Y647-1304
 FOR USE WITH EXHAUST ELBOW,
 AN ATTACHMENT
 TYPE 3

SMCS-1052, 1053

i00940630

NOTE	REF NO	GRAPHIC REF	PART NUMBER	QTY	PART NAME						SEE PAGE
					1	2	3	4	5	6	
	1	1	2N-2766	8	LOCKNUT (3/8-16-THD)						
	2	1	7E-2943	2	GASKET-EXHAUST MANIFOLD						
	3	1	0S-1594	16	BOLT (3/8-16X1-IN)						
		1	5M-2894	16	WASHER-HARD (10.2X18.5X2.5-MM THK)						
	4	1	6I-2007	2	BELLOWS AS						
YCR	5	1	102-0291	2	TURBOCHARGER GP						907
	6	1	7M-7273	2	GASKET						
	7	1	6I-2102	8	FLANGE-HALF						
	8	1	7E-2940	2	GASKET-EXHAUST MANIFOLD						

C - CHANGE FROM PREVIOUS TYPE
 R - REMANUFACTURED PART MAY BE AVAILABLE
 Y - SEPARATE ILLUSTRATION



GRAPHIC #1

<END>

g00225836

AIR INLET AND EXHAUST SYSTEM

9Y-4562 TURBOCHARGER GP

S/N: 50Y647-1304

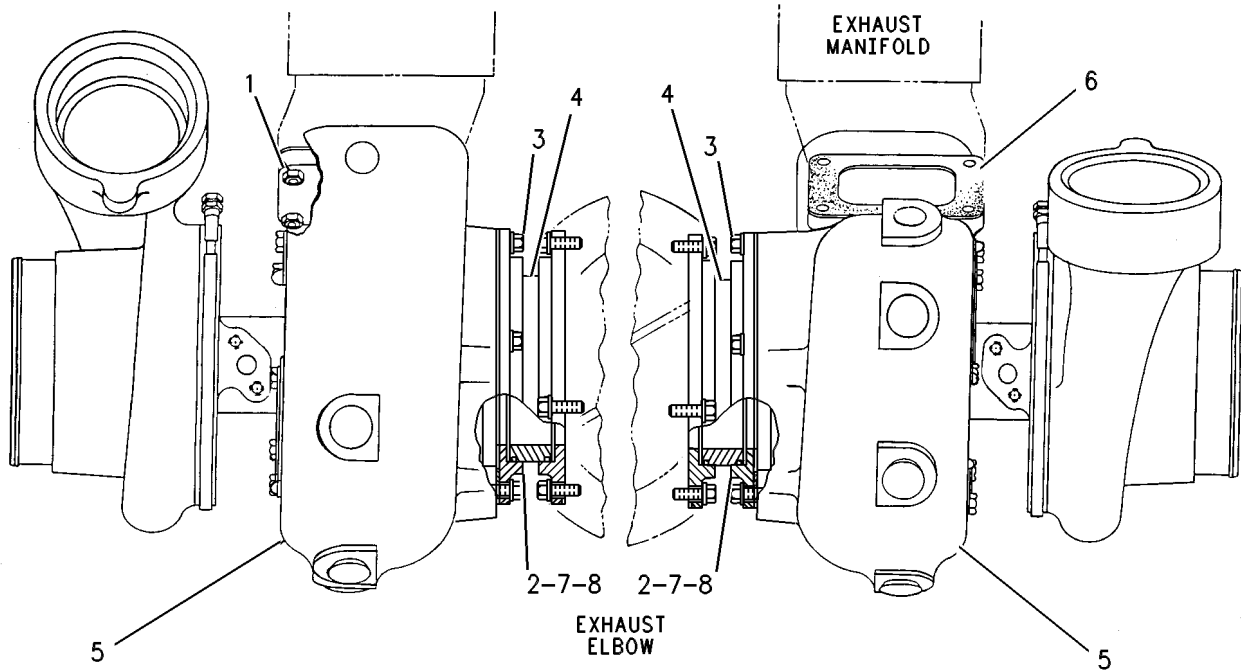
FOR USE WITH EXHAUST ELBOW,
AN ATTACHMENT
TYPE 4

SMCS-1052, 1053

i02640537

NOTE	REF NO	GRAPHIC REF	PART NUMBER	QTY	PART NAME						SEE PAGE
					1	2	3	4	5	6 (PRODUCT LEVEL)	
	1	1	2N-2766	8	LOCKNUT (3/8-16-THD)						
C	2	1	127-9867	4	ADAPTER-EXHAUST						
	3	1	0S-1594	16	BOLT (3/8-16X1-IN)						
		1	5M-2894	16	WASHER-HARD (10.2X18.5X2.5-MM THK)						
C	4	1	4W-1456	2	COUPLING-EXHAUST						
YR	5	1	102-0291	2	TURBOCHARGER GP						907
C	6	1	121-5736	2	GASKET (TURBOCHARGER)						
C	7	1	4W-1478	4	SEAL GP-EXHAUST						
C	8	1	4W-2359	4	GASKET						

C - CHANGE FROM PREVIOUS TYPE
R - REMANUFACTURED PART MAY BE AVAILABLE
Y - SEPARATE ILLUSTRATION



GRAPHIC #1

<END>

g00272463

AIR INLET AND EXHAUST SYSTEM

9Y-4562 TURBOCHARGER GP

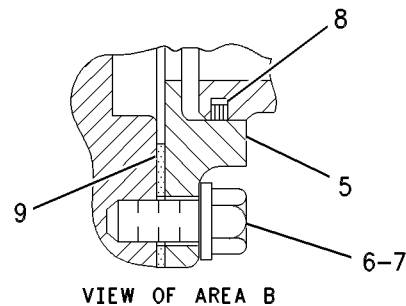
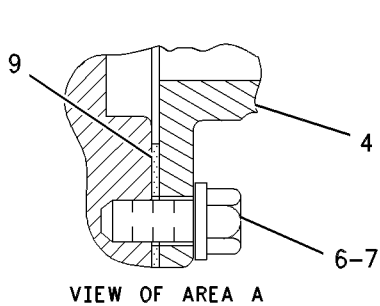
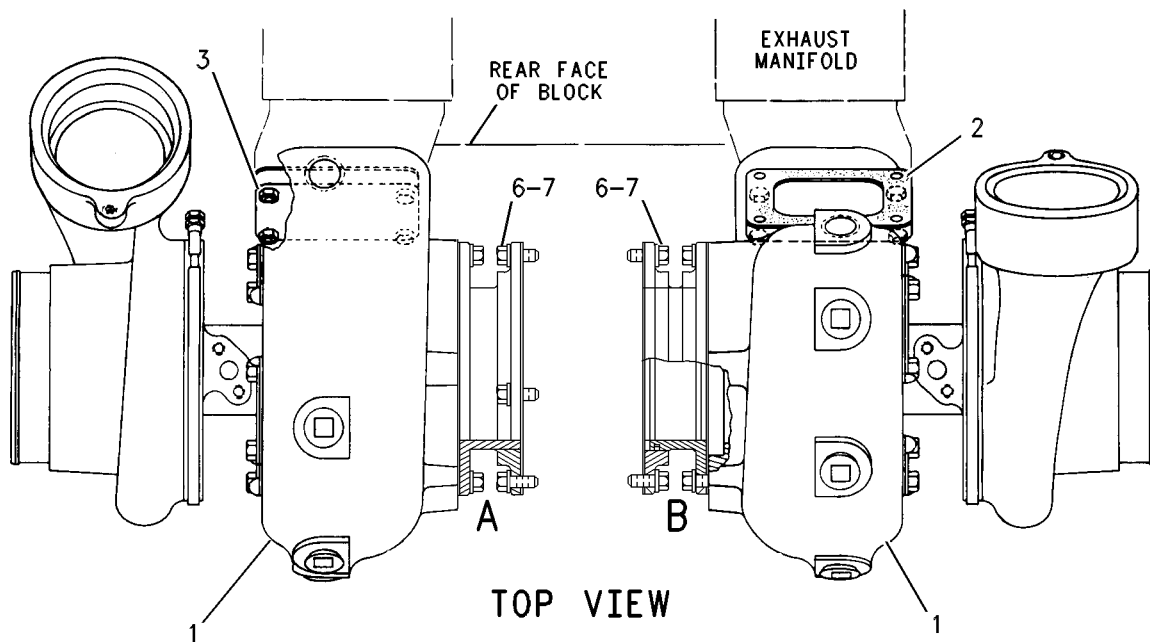
S/N: 50Y647-1304
FOR USE WITH EXHAUST ELBOW,
AN ATTACHMENT
TYPE 5

SMCS-1052, 1053

i02640541

NOTE	REF NO	GRAPHIC REF	PART NUMBER	QTY	PART NAME						SEE PAGE
					1	2	3	4	5	6 (PRODUCT LEVEL)	
YR	1	1	102-0291	2	TURBOCHARGER GP						907
C	2	1	121-5736	2	GASKET (TURBOCHARGER)						
	3	1	2N-2766	8	LOCKNUT (3/8-16-THD) (HIGH TEMPERATURE)						
C	4	1	133-9314	2	ADAPTER-TURBO EXHAUST						
C	5	1	140-2988	2	ADAPTER-TURBO EXHAUST						
	6	1	0S-1594	16	BOLT (3/8-16X1-IN)						
	7	1	5M-2894	16	WASHER-HARD (10.2X18.5X2.5-MM THK)						
C	8	1	4W-1478	2	SEAL GP-EXHAUST						
C	9	1	4W-2359	4	GASKET						

C - CHANGE FROM PREVIOUS TYPE
R - REMANUFACTURED PART MAY BE AVAILABLE
Y - SEPARATE ILLUSTRATION



GRAPHIC #1

<END>

g00621815

AIR INLET AND EXHAUST SYSTEM

9Y-4563 TURBOCHARGER GP

S/N: 50Y763-1304

FOR USE WITH EXHAUST ELBOW

AN ATTACHMENT

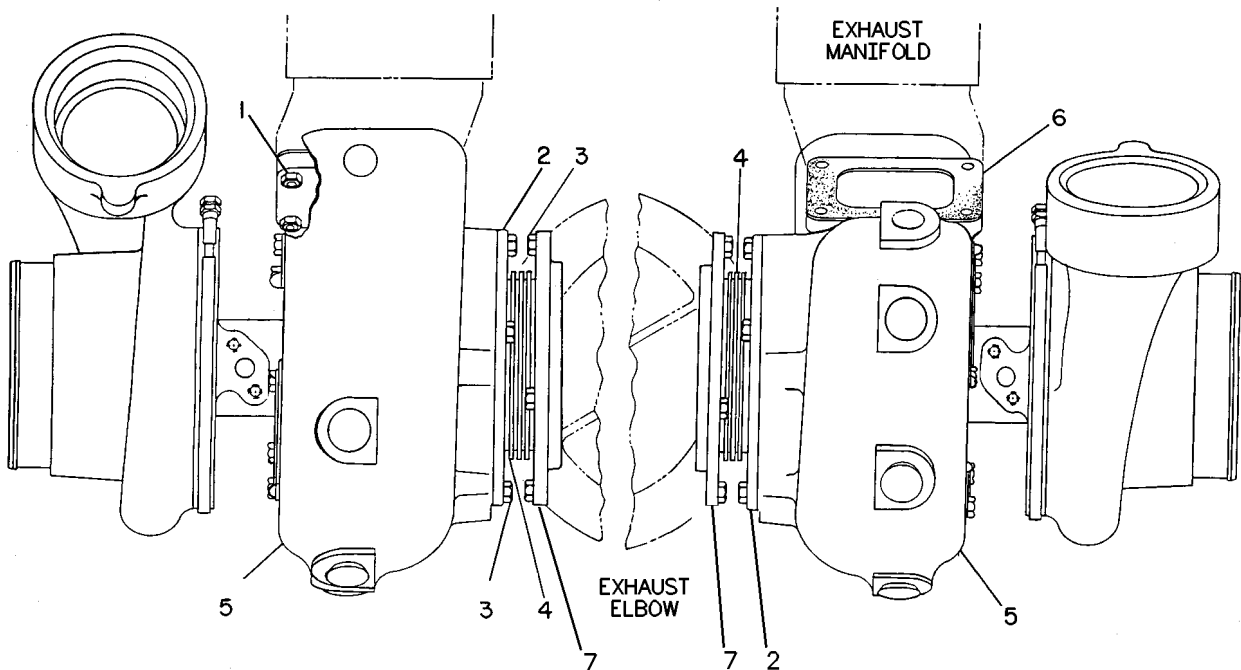
TYPE 1

SMCS-1052, 1053

i00940698

NOTE	REF NO	GRAPHIC REF	PART NUMBER	QTY	PART NAME						SEE PAGE
					1	2	3	4	5	6	
	1	1	2N-2766	8	LOCKNUT (3/8-16-THD)						
	2	1	9Y-5582	4	FLANGE - HALF						
	3	1	0S-1594	16	BOLT (3/8-16X1-IN)						
		1	5M-2894	16	WASHER-HARD (10.2X18.5X2.5-MM THK)						
	4	1	9Y-5377	2	BELLOWS AS						
Y	5	1	7W-9564	2	TURBOCHARGER GP						934
	6	1	7M-7273	2	GASKET						
	7	1	9Y-5583	4	FLANGE - HALF						

Y - SEPARATE ILLUSTRATION



GRAPHIC #1

<END>

g00201462

AIR INLET AND EXHAUST SYSTEM

9Y-4563 TURBOCHARGER GP

S/N: 50Y763-1304

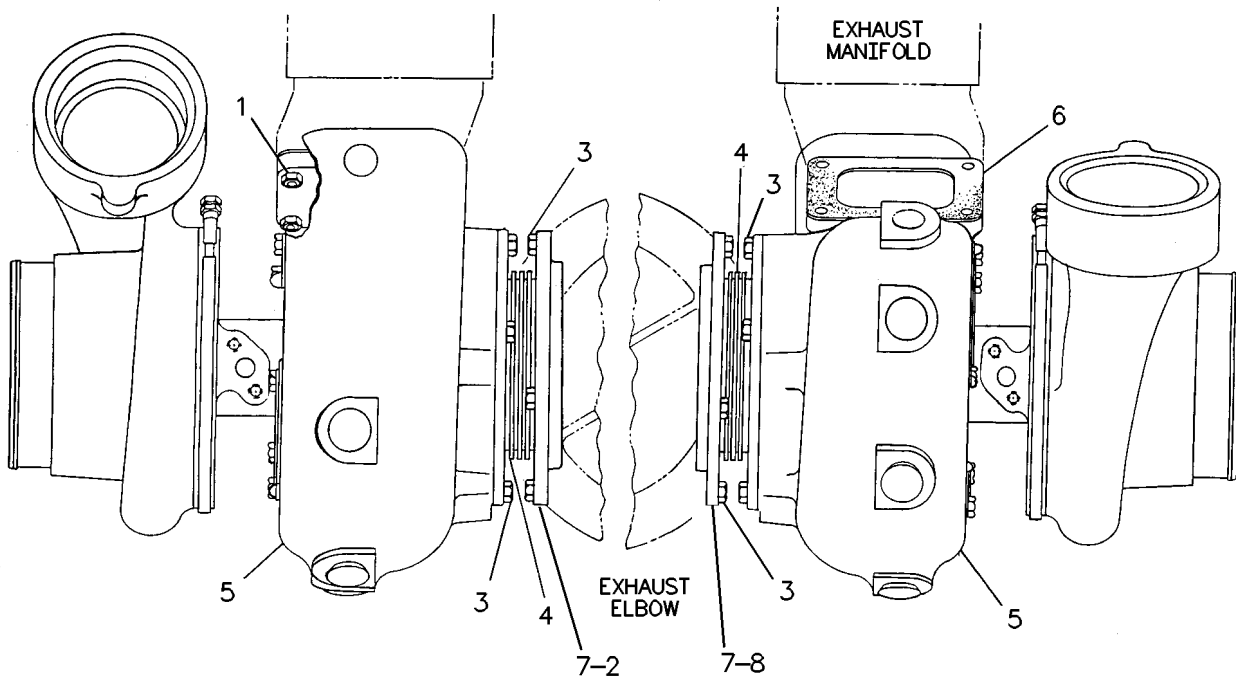
FOR USE WITH EXHAUST ELBOW
AN ATTACHMENT
TYPE 2

SMCS-1052, 1053

i00940697

NOTE	REF NO	GRAPHIC REF	PART NUMBER	QTY	PART NAME						SEE PAGE
					1	2	3	4	5	6	
	1	1	2N-2766	8	LOCKNUT (3/8-16-THD)						
	2	1	7E-2943	2	GASKET-EXHAUST MANIFOLD						
	3	1	0S-1594	16	BOLT (3/8-16X1-IN)						
		1	5M-2894	16	WASHER-HARD (10.2X18.5X2.5-MM THK)						
	4	1	6I-2007	2	BELLOWS AS						
Y	5	1	7W-9564	2	TURBOCHARGER GP						934
	6	1	7M-7273	2	GASKET						
	7	1	6I-2102	8	FLANGE - HALF						
	8	1	7E-2940	2	GASKET-EXHAUST MANIFOLD						

Y - SEPARATE ILLUSTRATION



GRAPHIC #1

<END>

g00225836

AIR INLET AND EXHAUST SYSTEM

9Y-4563 TURBOCHARGER GP

S/N: 50Y763-1304

FOR USE WITH EXHAUST ELBOW

AN ATTACHMENT

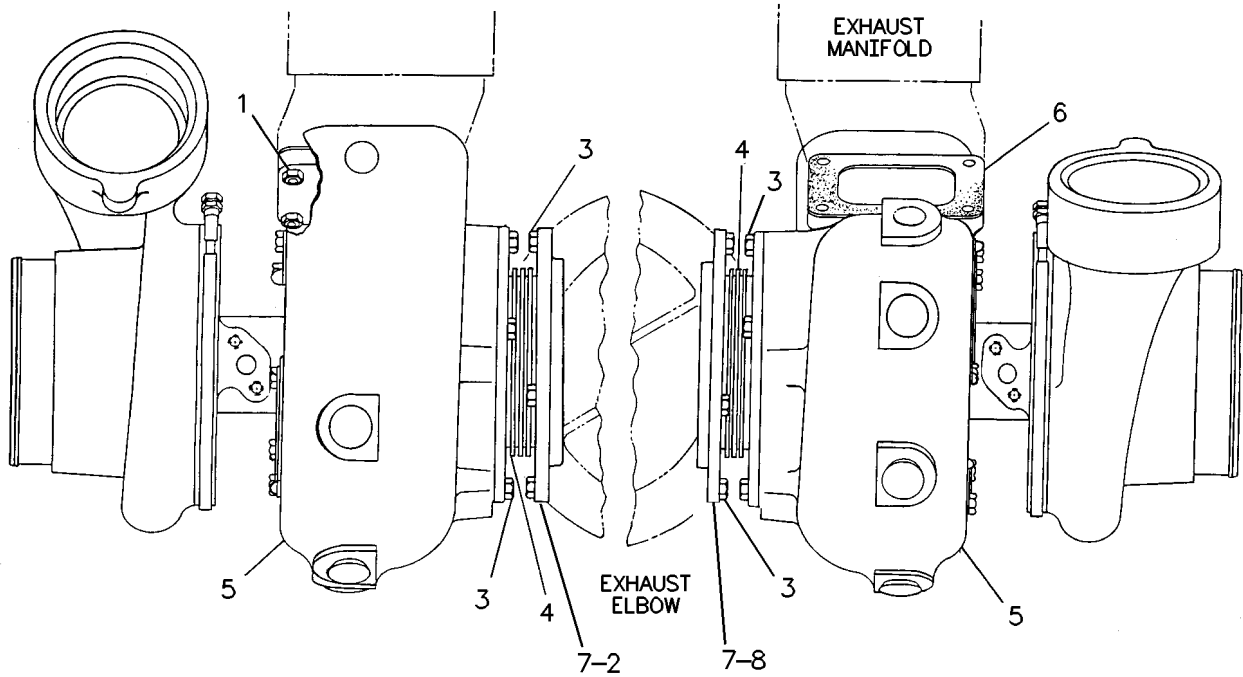
TYPE 3

SMCS-1052, 1053

i00940636

NOTE	REF NO	GRAPHIC REF	PART NUMBER	QTY	PART NAME						SEE PAGE
					1	2	3	4	5	6 (PRODUCT LEVEL)	
	1	1	2N-2766	8	LOCKNUT (3/8-16-THD)						
	2	1	7E-2943	2	GASKET-EXHAUST MANIFOLD						
	3	1	0S-1594	16	BOLT (3/8-16X1-IN)						
		1	5M-2894	16	WASHER-HARD (10.2X18.5X2.5-MM THK)						
	4	1	6I-2007	2	BELLOWS AS						
YCR	5	1	102-0296	2	TURBOCHARGER GP						909
	6	1	7M-7273	2	GASKET						
	7	1	6I-2102	8	FLANGE-HALF						
	8	1	7E-2940	2	GASKET-EXHAUST MANIFOLD						

C - CHANGE FROM PREVIOUS TYPE
 R - REMANUFACTURED PART MAY BE AVAILABLE
 Y - SEPARATE ILLUSTRATION



GRAPHIC #1

<END>

g00225836

AIR INLET AND EXHAUST SYSTEM

9Y-4563 TURBOCHARGER GP

S/N: 50Y763-1304

FOR USE WITH EXHAUST ELBOW

AN ATTACHMENT

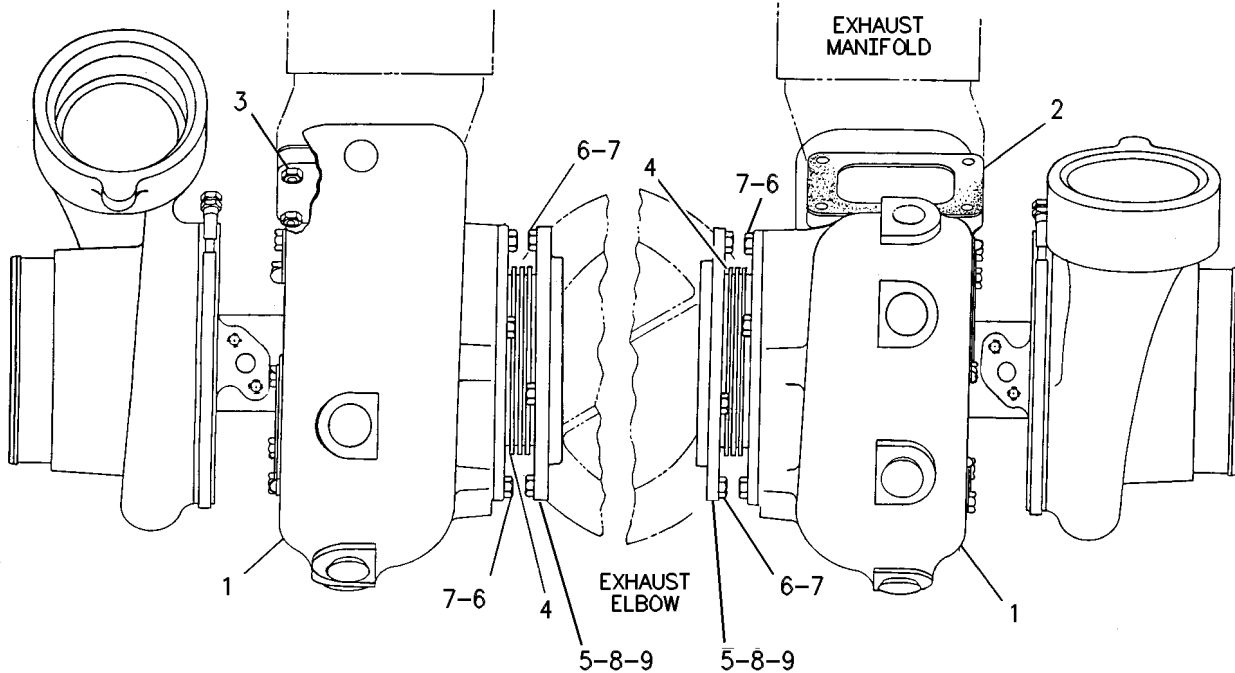
TYPE 4

SMCS-1052, 1053

i02640544

NOTE	REF NO	GRAPHIC REF	PART NUMBER	QTY	PART NAME						SEE PAGE
					1	2	3	4	5	6	
YR	1	1	102-0296	2	TURBOCHARGER GP						909
	2	1	7M-7273	2	GASKET						
	3	1	2N-2766	8	LOCKNUT (3/8-16-THD)						
	4	1	4W-1456	2	COUPLING-EXHAUST						
	5	1	127-9867	4	ADAPTER-EXHAUST						
	6	1	0S-1594	16	BOLT (3/8-16X1-IN)						
	7	1	5M-2894	16	WASHER-HARD (10.2X18.5X2.5-MM THK)						
	8	1	4W-2359	4	GASKET						
	9	1	4W-1478	4	SEAL GP-EXHAUST						

R - REMANUFACTURED PART MAY BE AVAILABLE
 Y - SEPARATE ILLUSTRATION



TOP VIEW

GRAPHIC #1

<END>

g00271940

AIR INLET AND EXHAUST SYSTEM

9Y-4563 TURBOCHARGER GP

S/N: 50Y763-1304

FOR USE WITH EXHAUST ELBOW

AN ATTACHMENT

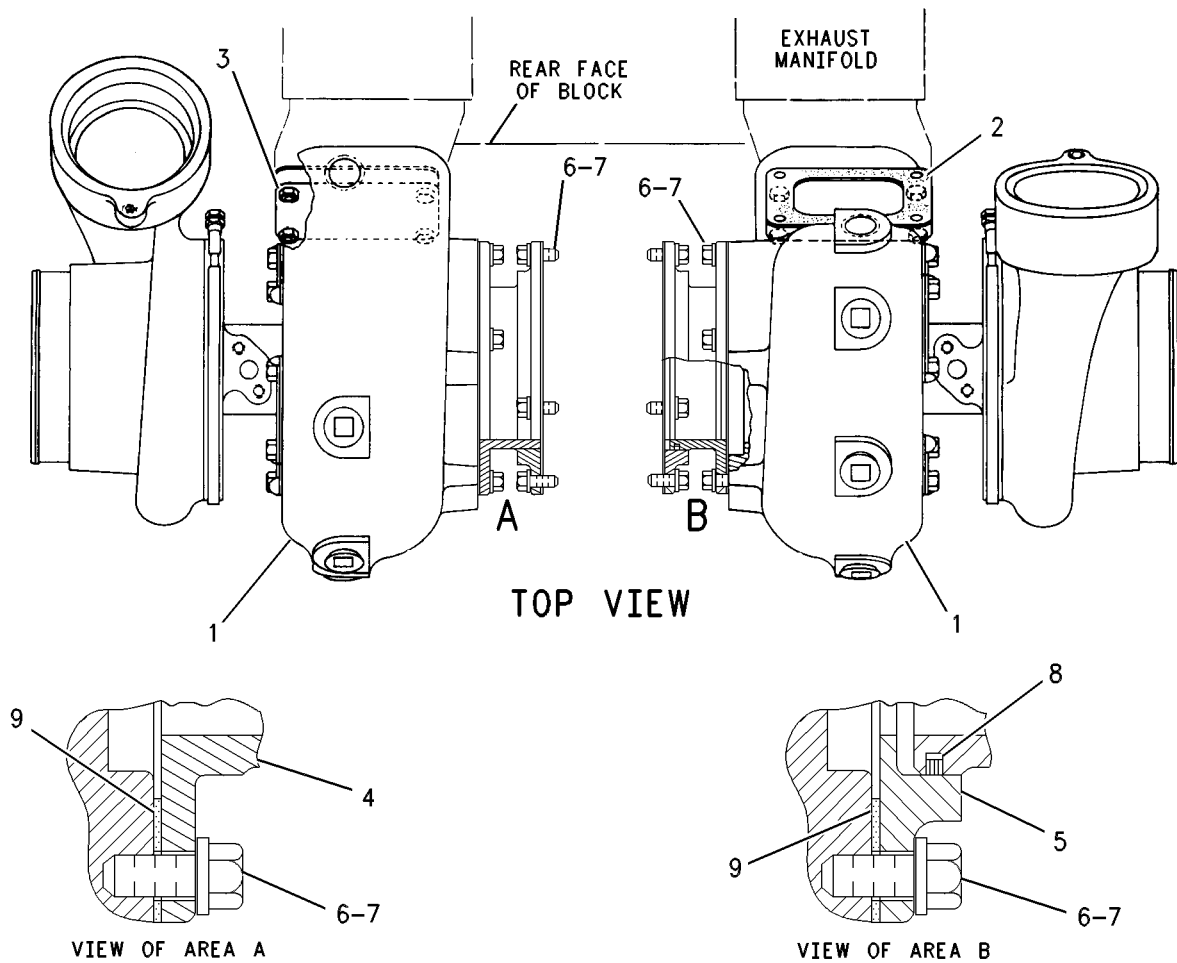
TYPE 5

SMCS-1052, 1053

i02640548

NOTE	REF NO	GRAPHIC REF	PART NUMBER	QTY	PART NAME						SEE PAGE
					1	2	3	4	5	6 (PRODUCT LEVEL)	
YR	1	1	102-0296	2	TURBOCHARGER GP						909
	2	1	121-5736	2	GASKET (TURBOCHARGER)						
	3	1	2N-2766	8	LOCKNUT (3/8-16-THD) (HIGH TEMPERATURE)						
	4	1	133-9314	2	ADAPTER-TURBO EXHAUST						
	5	1	140-2988	2	ADAPTER-TURBO EXHAUST						
	6	1	0S-1594	16	BOLT (3/8-16X1-IN)						
	7	1	5M-2894	16	WASHER-HARD (10.2X18.5X2.5-MM THK)						
	8	1	4W-1478	2	SEAL GP-EXHAUST						
	9	1	4W-2359	4	GASKET						

R - REMANUFACTURED PART MAY BE AVAILABLE
 Y - SEPARATE ILLUSTRATION



GRAPHIC #1

<END>

g00624085

AIR INLET AND EXHAUST SYSTEM

9Y-4564 TURBOCHARGER GP

S/N: 50Y763-1304

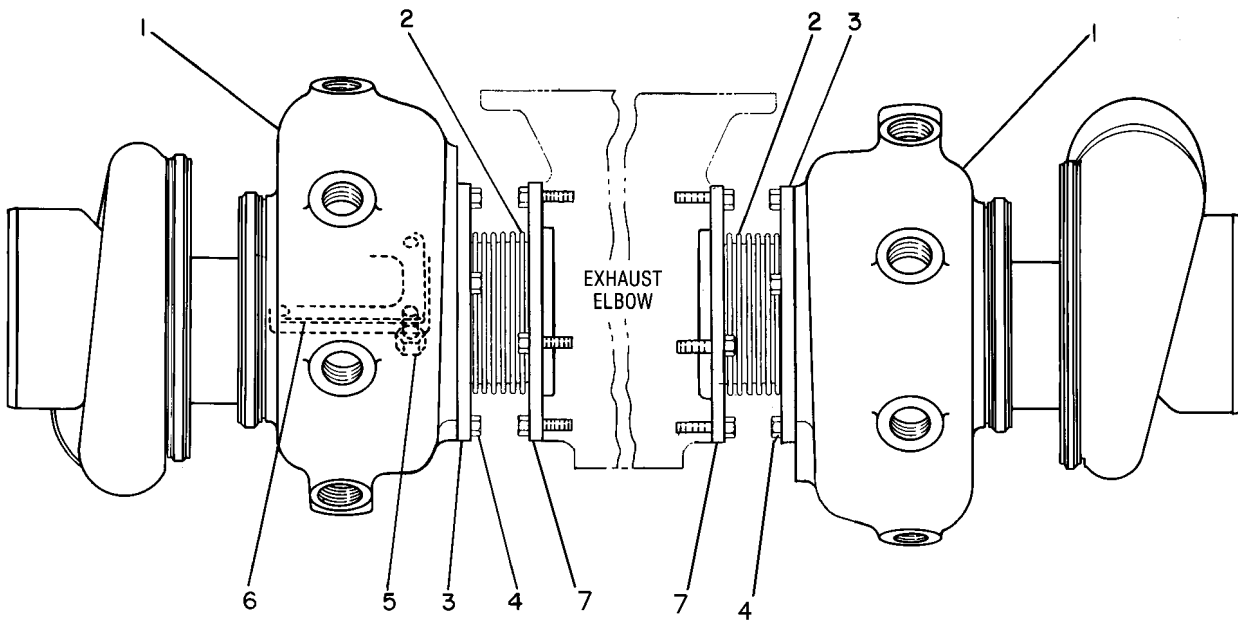
FOR USE WITH EXHAUST ELBOW
AN ATTACHMENT
TYPE 1

SMCS-1052, 1053

i00940702

NOTE	REF NO	GRAPHIC REF	PART NUMBER	QTY	PART NAME						SEE PAGE
					1	2	3	4	5	6 (PRODUCT LEVEL)	
YR	1	1	4W-1232	2	TURBOCHARGER GP						924
	2	1	9Y-5377	2	BELLOWS AS						
	3	1	9Y-5582	4	FLANGE - HALF						
	4	1	0S-1594	16	BOLT (3/8-16X1-IN)						
		1	5M-2894	16	WASHER-HARD (10.2X18.5X2.5-MM THK)						
	5	1	2N-2766	8	LOCKNUT (3/8-16-THD)						
	6	1	7M-7273	2	GASKET						
	7	1	9Y-5583	4	FLANGE - HALF						

R - REMANUFACTURED PART MAY BE AVAILABLE
Y - SEPARATE ILLUSTRATION



GRAPHIC #1

<END>

g00201522

AIR INLET AND EXHAUST SYSTEM

9Y-4564 TURBOCHARGER GP

S/N: 50Y763-1304

FOR USE WITH EXHAUST ELBOW

AN ATTACHMENT

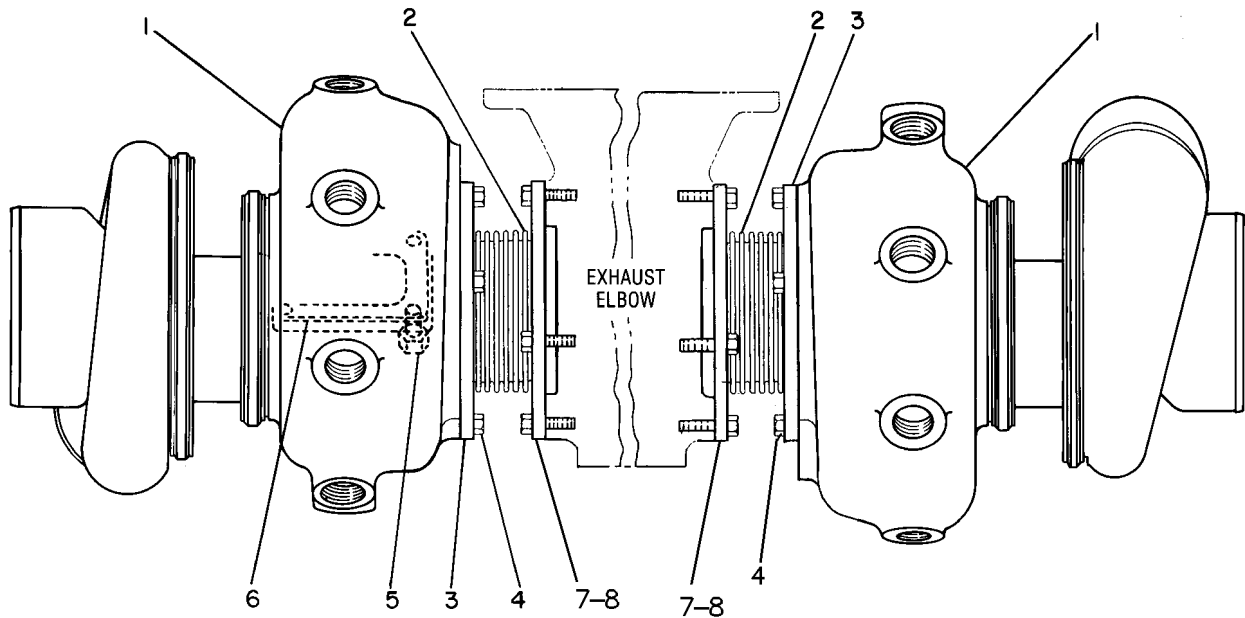
TYPE 2

SMCS-1052, 1053

i00941526

NOTE	REF NO	GRAPHIC REF	PART NUMBER	QTY	PART NAME						SEE PAGE
					1	2	3	4	5	6 (PRODUCT LEVEL)	
YR	1	1	4W-1232	2	TURBOCHARGER GP						924
	2	1	6I-2007	2	BELLOWS AS						
	3	1	7E-2943	2	GASKET-EXHAUST MANIFOLD						
	4	1	0S-1594	16	BOLT (3/8-16X1-IN)						
		1	5M-2894	16	WASHER-HARD (10.2X18.5X2.5-MM THK)						
	5	1	2N-2766	8	LOCKNUT (3/8-16-THD)						
	6	1	7M-7273	2	GASKET						
	7	1	7E-2940	2	GASKET-EXHAUST MANIFOLD						
	8	1	6I-2102	8	FLANGE-HALF						

R - REMANUFACTURED PART MAY BE AVAILABLE
 Y - SEPARATE ILLUSTRATION



GRAPHIC #1

<END>

g00225842

AIR INLET AND EXHAUST SYSTEM

9Y-4564 TURBOCHARGER GP

S/N: 50Y763-1304

FOR USE WITH EXHAUST ELBOW

AN ATTACHMENT

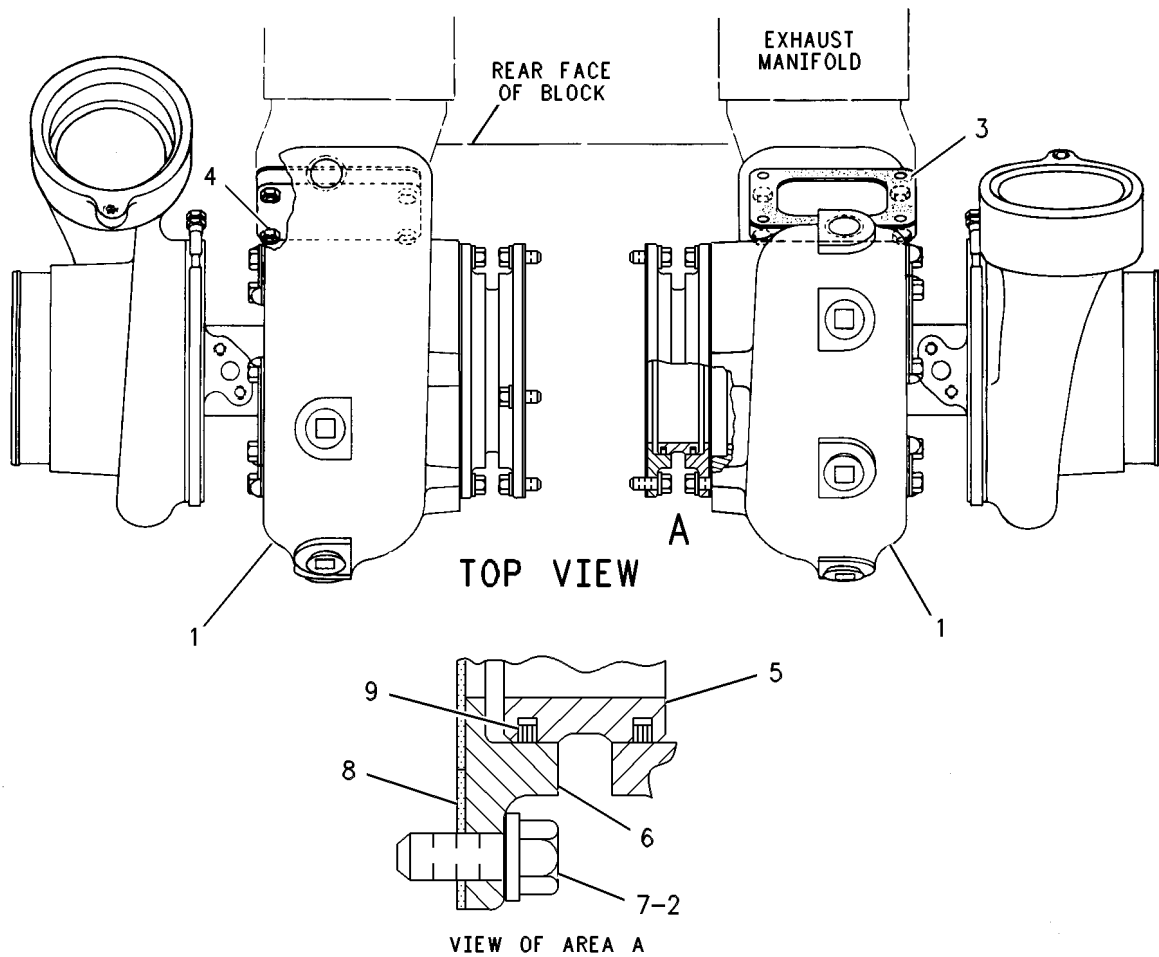
TYPE 3

SMCS-1052, 1053

i02640551

NOTE	REF NO	GRAPHIC REF	PART NUMBER	QTY	PART NAME						SEE PAGE
					1	2	3	4	5	6 (PRODUCT LEVEL)	
YR	1	1	4W-1232	2	TURBOCHARGER GP						924
	2	1	5M-2894	16	WASHER-HARD (10.2X18.5X2.5-MM THK)						
	3	1	7M-7273	2	GASKET						
	4	1	2N-2766	8	LOCKNUT (3/8-16-THD)						
C	5	1	4W-1456	2	COUPLING-EXHAUST						
C	6	1	127-9867	4	ADAPTER-EXHAUST						
	7	1	0S-1594	16	BOLT (3/8-16X1-IN)						
C	8	1	4W-2359	4	GASKET						
C	9	1	4W-1478	4	SEAL GP-EXHAUST						

C - CHANGE FROM PREVIOUS TYPE
R - REMANUFACTURED PART MAY BE AVAILABLE
Y - SEPARATE ILLUSTRATION



GRAPHIC #1

<END>

g00276004

AIR INLET AND EXHAUST SYSTEM

9Y-5596 TURBOCHARGER GP

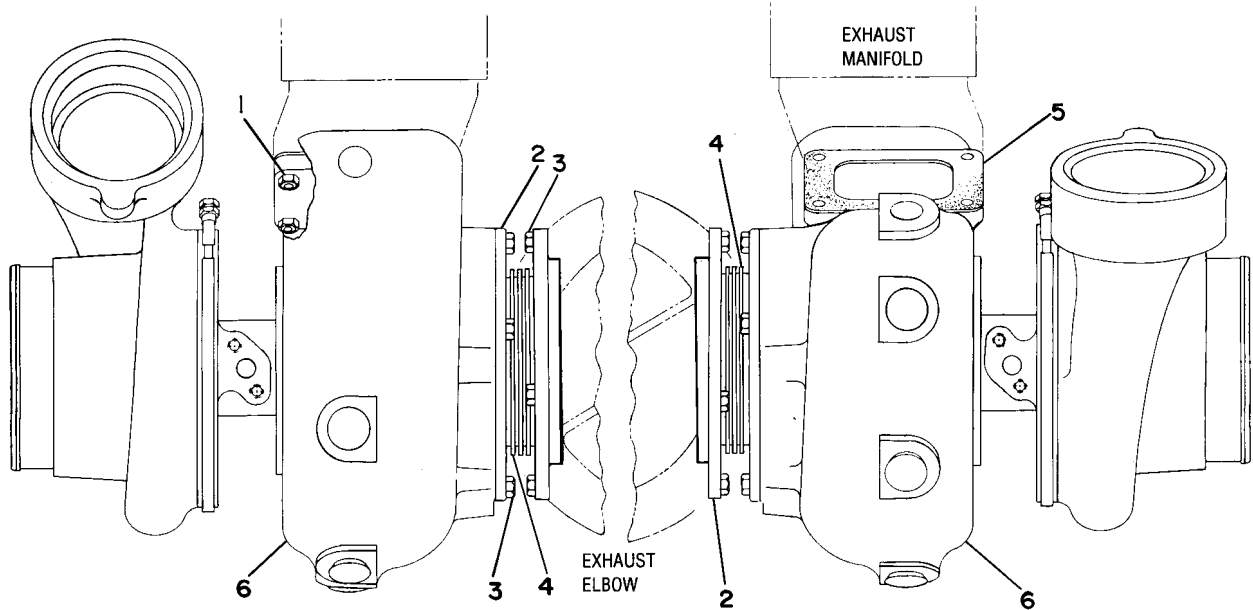
S/N: 66Z276-390

SMCS-1052, 1053

i00941530

NOTE	REF NO	GRAPHIC REF	PART NUMBER	QTY	PART NAME						SEE PAGE
					1	2	3	4	5	6 (PRODUCT LEVEL)	
	1	1	2N-2766	8	LOCKNUT (3/8-16-THD)						
	2	1	9Y-5583	8	FLANGE-HALF						
	3	1	0S-1594	16	BOLT (3/8-16X1-IN)						
		1	5M-2894	16	WASHER-HARD (10.2X18.5X2.5-MM THK)						
	4	1	9Y-5378	2	BELLOWS AS						
	5	1	7M-7273	2	GASKET						
Y	6	1	7W-8010	2	TURBOCHARGER GP						932

Y - SEPARATE ILLUSTRATION



GRAPHIC #1

<END>

g00199654

AIR INLET AND EXHAUST SYSTEM

9Y-5596 TURBOCHARGER GP

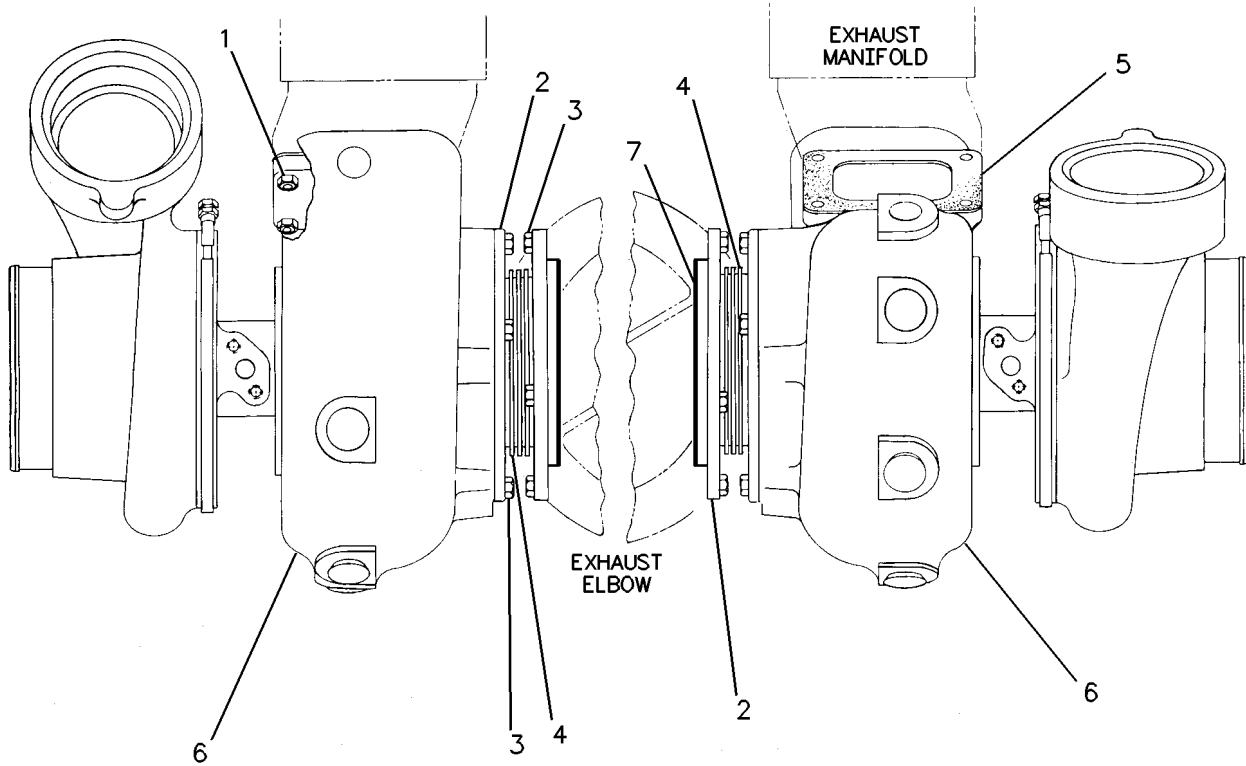
S/N: 66Z391-578

SMCS-1052, 1053

i00941533

NOTE	REF NO	GRAPHIC REF	PART NUMBER	QTY	PART NAME						SEE PAGE
					1	2	3	4	5	6 (PRODUCT LEVEL)	
	1	1	2N-2766	8	LOCKNUT (3/8-16-THD)						
	2	1	6I-2102	8	FLANGE - HALF						
	3	1	0S-1594	16	BOLT (3/8-16X1-IN)						
		1	5M-2894	16	WASHER-HARD (10.2X18.5X2.5-MM THK)						
	4	1	6I-2103	2	BELLOWS AS						
	5	1	121-5736	2	GASKET (TURBOCHARGER)						
Y	6	1	7W-8010	2	TURBOCHARGER GP						932
	7	1	7E-2940	4	GASKET-EXHAUST MANIFOLD						

Y - SEPARATE ILLUSTRATION



GRAPHIC #1

<END>

g00213755

AIR INLET AND EXHAUST SYSTEM

9Y-5598 TURBOCHARGER GP

S/N: 50Y763-907

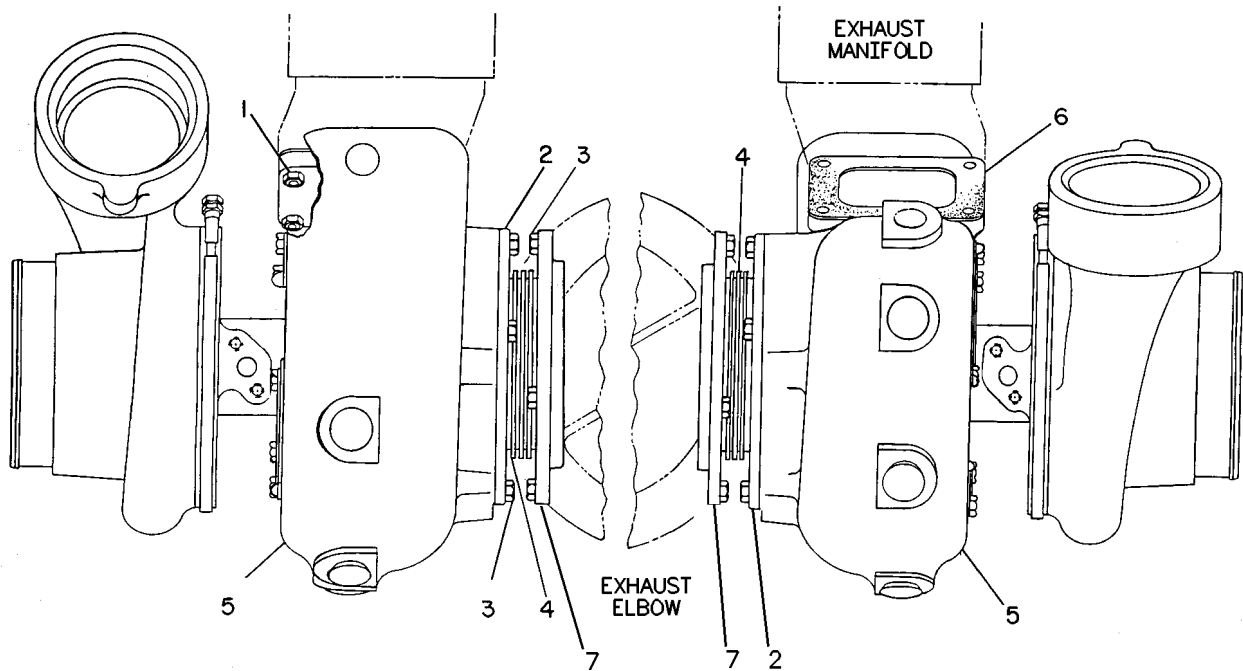
WATER-COOLED

SMCS-1052, 1053

i00941538

NOTE	REF NO	GRAPHIC REF	PART NUMBER	QTY	PART NAME						SEE PAGE
					1	2	3	4	5	6 (PRODUCT LEVEL)	
	1	1	2N-2766	8	LOCKNUT (3/8-16-THD)						
	2	1	9Y-5582	4	FLANGE - HALF						
	3	1	0S-1594	16	BOLT (3/8-16X1-IN)						
		1	5M-2894	16	WASHER-HARD (10.2X18.5X2.5-MM THK)						
	4	1	9Y-5377	2	BELLOWS AS						
YR	5	1	7W-3484	2	TURBOCHARGER GP						931
	6	1	7M-7273	2	GASKET						
	7	1	9Y-5583	4	FLANGE - HALF						

R - REMANUFACTURED PART MAY BE AVAILABLE
 Y - SEPARATE ILLUSTRATION



GRAPHIC #1

<END>

g00201462

AIR INLET AND EXHAUST SYSTEM

9Y-5598 TURBOCHARGER GP

S/N: 50Y908-1174

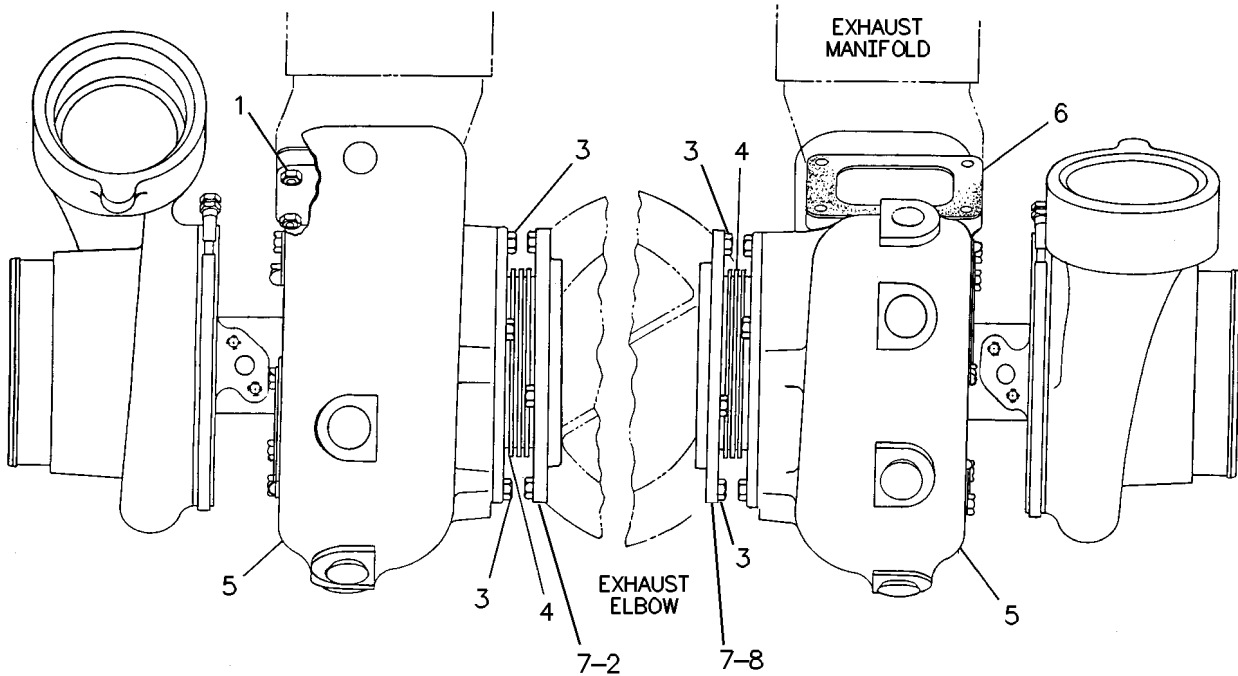
WATER-COOLED

SMCS-1052, 1053

i00941566

NOTE	REF NO	GRAPHIC REF	PART NUMBER	QTY	PART NAME						SEE PAGE
					1	2	3	4	5	6 (PRODUCT LEVEL)	
	1	1	2N-2766	8	LOCKNUT (3/8-16-THD)						
	2	1	7E-2943	2	GASKET-EXHAUST MANIFOLD						
	3	1	0S-1594	16	BOLT (3/8-16X1-IN)						
		1	5M-2894	16	WASHER-HARD (10.2X18.5X2.5-MM THK)						
	4	1	6I-2007	2	BELLOWS AS						
YR	5	1	7W-3484	2	TURBOCHARGER GP						931
	6	1	7M-7273	2	GASKET						
	7	1	6I-2102	8	FLANGE - HALF						
	8	1	7E-2940	2	GASKET-EXHAUST MANIFOLD						

R - REMANUFACTURED PART MAY BE AVAILABLE
 Y - SEPARATE ILLUSTRATION



GRAPHIC #1

<END>

g00225849

AIR INLET AND EXHAUST SYSTEM

9Y-5598 TURBOCHARGER GP

S/N: 50Y1175-1304

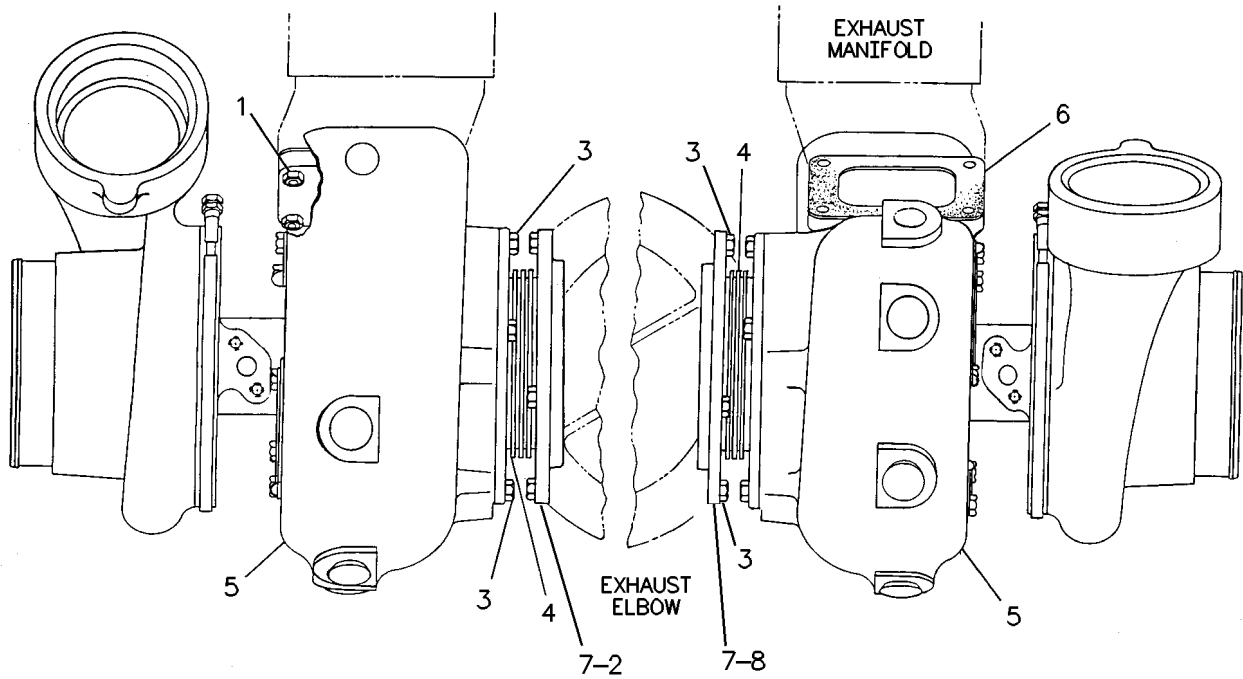
WATER-COOLED

SMCS-1052, 1053

i00942003

NOTE	REF NO	GRAPHIC REF	PART NUMBER	QTY	PART NAME						SEE PAGE
					1	2	3	4	5	6 (PRODUCT LEVEL)	
	1	1	2N-2766	8	LOCKNUT (3/8-16-THD)						
	2	1	7E-2943	2	GASKET-EXHAUST MANIFOLD						
	3	1	0S-1594	16	BOLT (3/8-16X1-IN)						
		1	5M-2894	16	WASHER-HARD (10.2X18.5X2.5-MM THK)						
	4	1	6I-2007	2	BELLOWS AS						
YCR	5	1	102-0294	2	TURBOCHARGER GP						908
	6	1	121-5736	2	GASKET (TURBOCHARGER)						
	7	1	6I-2102	8	FLANGE - HALF						
	8	1	7E-2940	2	GASKET-EXHAUST MANIFOLD						

C - CHANGE FROM PREVIOUS TYPE
 R - REMANUFACTURED PART MAY BE AVAILABLE
 Y - SEPARATE ILLUSTRATION



GRAPHIC #1

<END>

g00225849

AIR INLET AND EXHAUST SYSTEM

9Y-6093 TURBOCHARGER GP

S/N: 66Z276-390

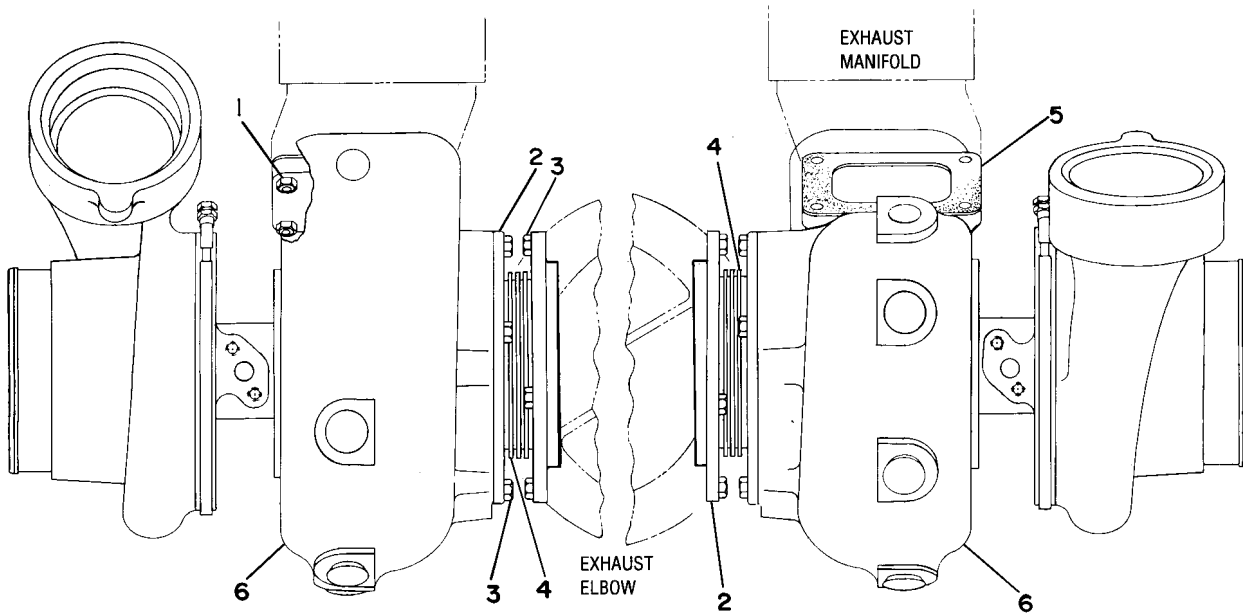
FOR USE WITH EXHAUST ELBOW
AN ATTACHMENT

SMCS-1052, 1053

i00939584

NOTE	REF NO	GRAPHIC REF	PART NUMBER	QTY	PART NAME						SEE PAGE
					1	2	3	4	5	6 (PRODUCT LEVEL)	
	1	1	2N-2766	8	LOCKNUT (3/8-16-THD)						
	2	1	9Y-5583	8	FLANGE - HALF						
	3	1	0S-1594	16	BOLT (3/8-16X1-IN)						
		1	5M-2894	16	WASHER-HARD (10.2X18.5X2.5-MM THK)						
	4	1	9Y-5378	2	BELLOWS AS						
	5	1	7M-7273	2	GASKET						
YR	6	1	7W-8011	2	TURBOCHARGER GP						933

R - REMANUFACTURED PART MAY BE AVAILABLE
Y - SEPARATE ILLUSTRATION



GRAPHIC #1

<END>

g00199654

AIR INLET AND EXHAUST SYSTEM

9Y-6093 TURBOCHARGER GP

S/N: 66Z391-578

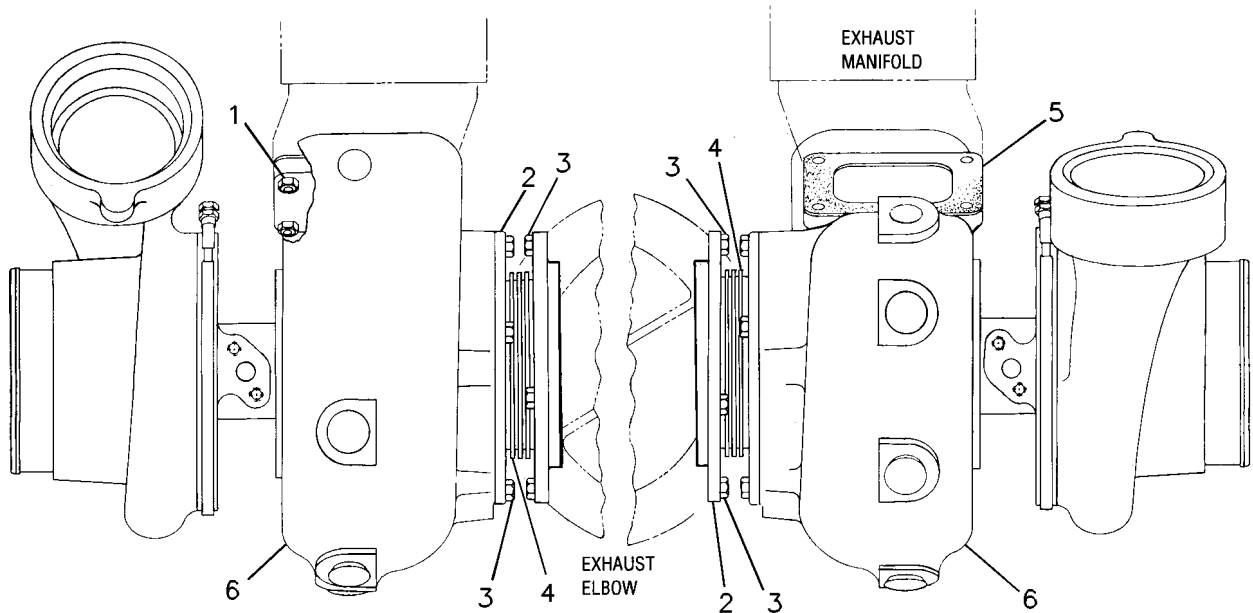
FOR USE WITH EXHAUST ELBOW
AN ATTACHMENT

SMCS-1052, 1053

i00939589

NOTE	REF NO	GRAPHIC REF	PART NUMBER	QTY	PART NAME						SEE PAGE
					1	2	3	4	5	6 (PRODUCT LEVEL)	
	1	1	2N-2766	8	LOCKNUT (3/8-16-THD)						
	2	1	6I-2102	8	FLANGE - HALF						
		1	139-1575	4	GASKET - EXHAUST MANIFOLD						
	3	1	0S-1594	16	BOLT (3/8-16X1 - IN)						
		1	5M-2894	16	WASHER - HARD (10.2X18.5X2.5-MM THK)						
	4	1	6I-2103	2	BELLOWS AS						
	5	1	121-5736	2	GASKET (TURBOCHARGER)						
YR	6	1	7W-8011	2	TURBOCHARGER GP						933

R - REMANUFACTURED PART MAY BE AVAILABLE
Y - SEPARATE ILLUSTRATION



GRAPHIC #1

<END>

g00225850

AIR INLET AND EXHAUST SYSTEM

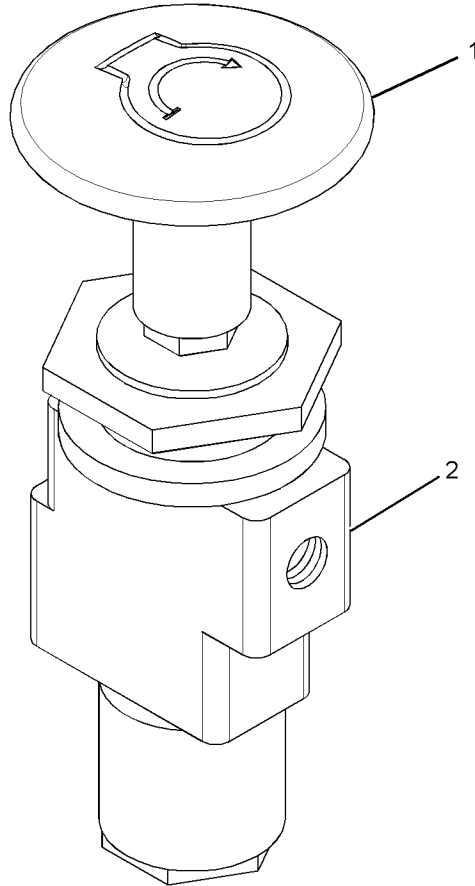
4W-5424 VALVE GP-AIR CONTROL

PART OF 4W-7202, 4W-7205, 4W-7208, 4W-7211 CONTROL GP-AIR STARTING
AN ATTACHMENT

SMCS-108A, 1462

i03168925

NOTE	REF NO	GRAPHIC REF	PART NUMBER	QTY	PART NAME						SEE PAGE
					1	2	3	4	5	6 (PRODUCT LEVEL)	
	1	1	329-4282	1	KNOB						
	2	1	2W-6820	1	VALVE-CONTROL (AIR)						



GRAPHIC #1

<END>

g01560907

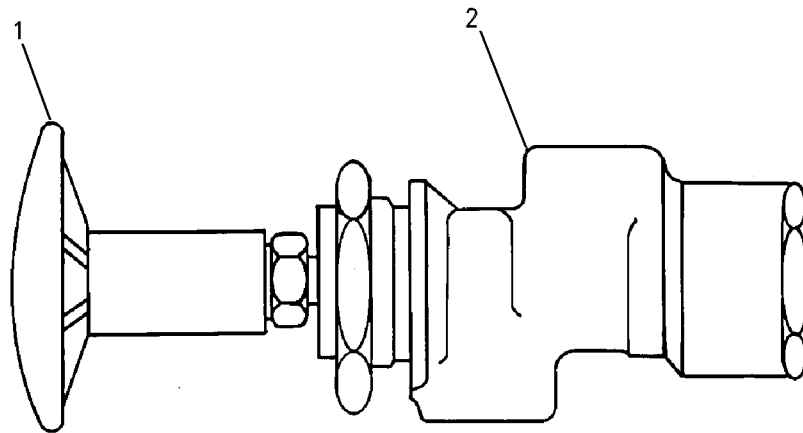
AIR INLET AND EXHAUST SYSTEM

4W-5426 VALVE GP-AIR CONTROL PART OF 4W-7205, 4W-7211 CONTROL GP-AIR STARTING AN ATTACHMENT

SMCS-108A, 1462

i03129058

NOTE	REF NO	GRAPHIC REF	PART NUMBER	QTY	PART NAME						SEE PAGE
					1	2	3	4	5	6 (PRODUCT LEVEL)	
	1	1	2W-0630	1	KNOB-LOCK						
	2	1	2W-6820	1	VALVE-CONTROL						



GRAPHIC #1

<END>

g00477108

AIR INLET AND EXHAUST SYSTEM

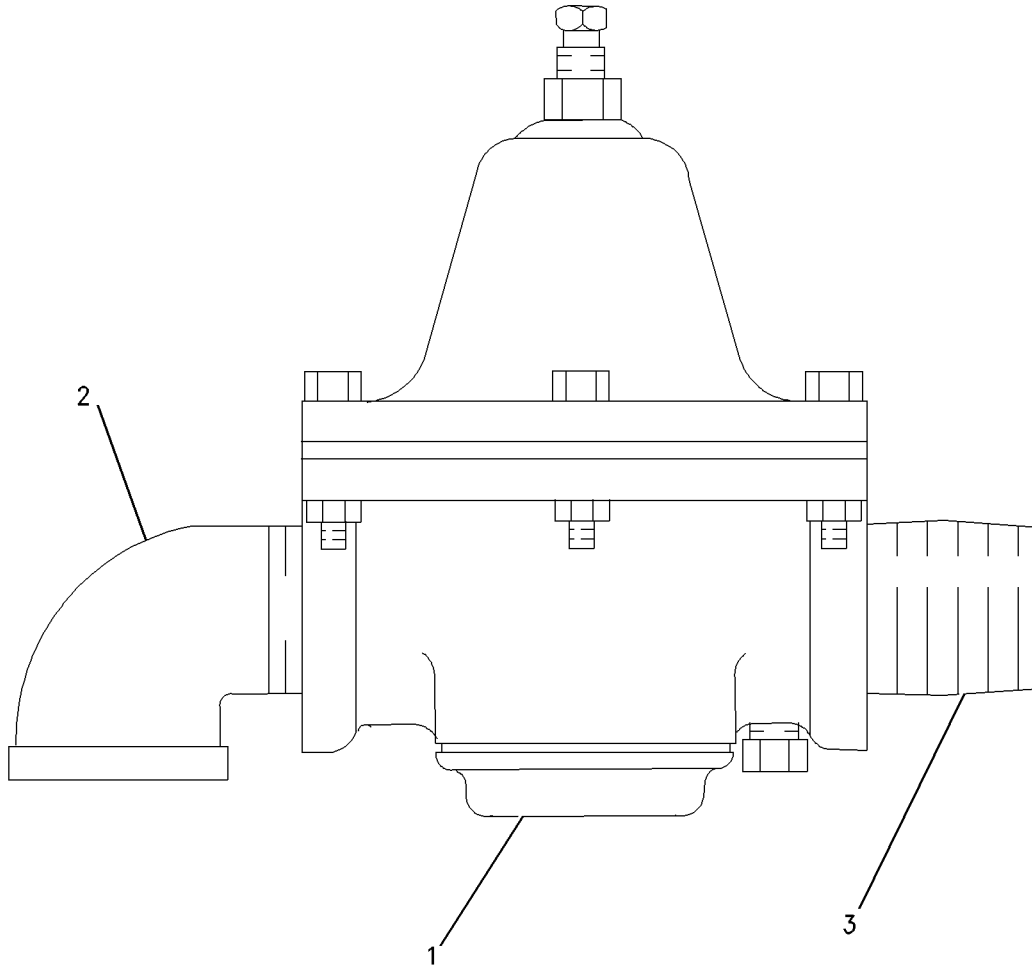
8N-8483 VALVE GP-AIR CONTROL-RH FOR USE WITH AIR START SYSTEM AN ATTACHMENT

SMCS-108A, 1462

i04723930

NOTE	REF NO	GRAPHIC REF	PART NUMBER	QTY	PART NAME						SEE PAGE
					1	2	3	4	5	6 (PRODUCT LEVEL)	
Y	1	1	1L-2073	1	VALVE GP-PRESSURE REDUCING (AIR STARTING)						1832
	2	1	5B-7666	1	ELBOW						
	3	1	3L-8993	1	FITTING						

Y - SEPARATE ILLUSTRATION



GRAPHIC #1

<END>

g00637864

FUEL SYSTEM

1W-7209 ACTUATOR GP-GOVERNOR

PART OF 1W-0516 GOVERNOR GP

AN ATTACHMENT

SMCS-1716

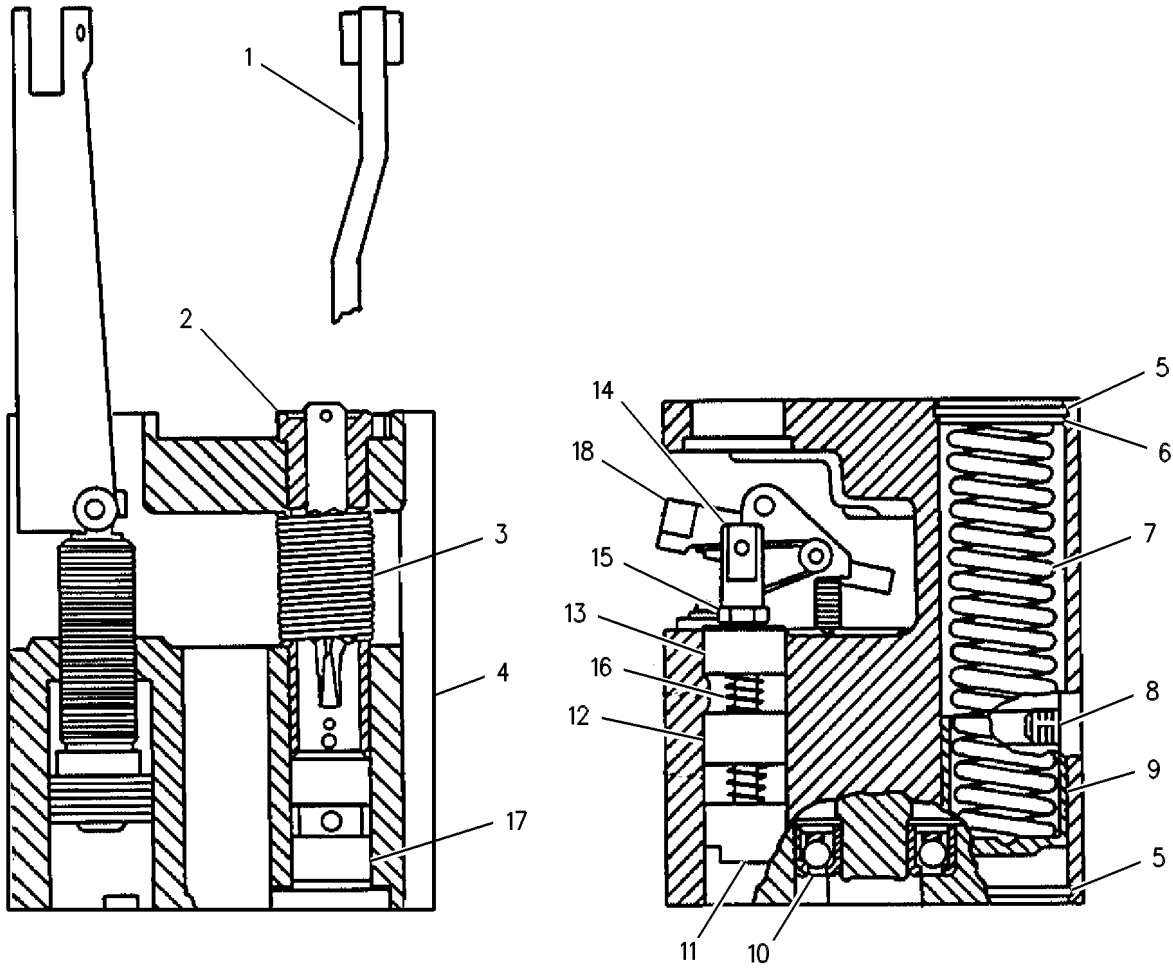
i00883483

NOTE	REF NO	GRAPHIC REF	PART NUMBER	QTY	PART NAME						SEE PAGE
					1	2	3	4	5	6 (PRODUCT LEVEL)	
	1	1	8N-5121	1	PISTON AS						
	2	1	9F-9597	1	GEAR-BALL HEAD DRIVE						
	3	1	8N-5120	1	SPRING						
	4	1	2W-0583	1	ACTUATOR GP-GOVERNOR						
	5	1	9F-9680	4	RING						
	6	1	9F-9635	2	WASHER						
	7	1	2F-6802	2	SPRING						
	8	1	9F-2247	4	PLUG-PIPE						
	9	1	2F-6818	2	PISTON						
	10	1	2W-4524	2	VALVE AS-CHECK						
	11	1	3L-6747	1	PISTON AS						
	12	1	3L-6746	1	SEAT-SPRING						
	13	1	2W-4525	1	GUIDE-PISTON						
	14	1	2F-3219	1	NUT-ELASTIC STOP						
	15	1	2F-6719	1	NUT AS-LEVER						
		1	2F-6687	1	PIN-ROD						
	16	1	3L-6749	2	SPRING						
	17	1	9F-9596	1	DRIVE AS						
	18	1	1W-9678	1	LEVER AS						

FUEL SYSTEM

1W-7209 ACTUATOR GP-GOVERNOR (contd.)

i00883483



GRAPHIC #1

<END>

g00297254

FUEL SYSTEM

4W-2966 CONTROL GP-FUEL INJECTION

SMCS-1265, 1298

i06999216

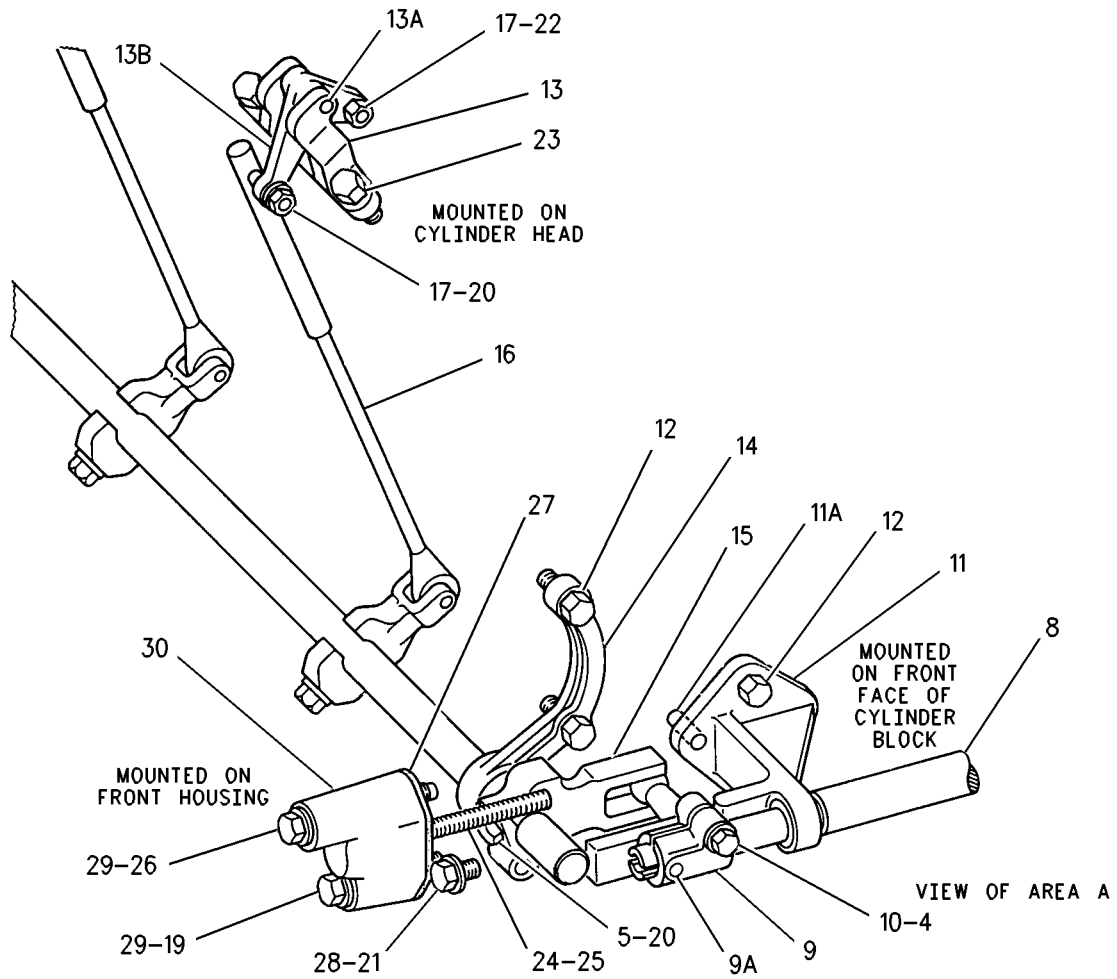
NOTE	REF NO	GRAPHIC REF	PART NUMBER	QTY	PART NAME						SEE PAGE
					1	2	3	4	5	6 (PRODUCT LEVEL)	
	1	2	1W-4341	2	SHAFT-FUEL CONTROL						
	2	2	061-8114	4	RING-RETAINING						
	3	2	2W-6047	4	WASHER (22.05X31.75X0.89-MM THK)						
	4	1	9M-1974	2	WASHER-HARD (8.8X16X2-MM THK)						
	5	1	6V-3279	14	BOLT-SPECIAL						
	6	2	7C-0305	4	BRACKET AS						
					(EACH INCLUDES)						
		2	7N-5984	1	BEARING						
	7	2	0L-1351	8	BOLT (3/8-16X0.875-IN)						
	8	1	7N-5376	1	SHAFT						
	9	1	220-7173	2	LEVER AS						
					(EACH INCLUDES)						
	9A	1	5H-3182	1	PIN-SPRING						
	10	1	4B-3388	2	BOLT (5/16-18X1.125-IN)						
	11	1	7N-5345	2	BRACKET AS						
					(EACH INCLUDES)						
	11A	1	7N-2047	2	DOWEL						
		1	7N-5984	1	BEARING						
	12	1	0S-1594	8	BOLT (3/8-16X1-IN)						
	13	1	7N-5358	12	BRACKET						
	13A	1	7N-5352	12	DOWEL						
	13B	1	7N-5360	12	LEVER						
	14	1	7N-5976	2	SUPPORT AS						
					(EACH INCLUDES)						
		1	7N-5984	1	BEARING						
	15	1	1N-4674	2	LEVER-GOVERNOR						
	16	1	1N-4679	12	ROD AS-CONTROL						
	17	1	2L-9038	24	LOCKNUT (1/4-28-THD)						
	18	2	8N-2004	12	CAP						
	19	1	2L-6324	1	BOLT (3/8-16X2.25-IN)						
	20	1	5P-0537	26	WASHER-HARD (7.2X14.5X2-MM THK)						
	21	1	1B-4218	2	WASHER (0.39X0.625X0.064-IN THK)						
	22	1	7N-5343	12	BOLT-PIVOT (1/4-28-THD)						
	23	1	005-8160	24	BOLT-12 POINT HEAD (1/4-20X0.875-IN)						
	24	1	4W-4803	1	SETSCREW (3/8-16-THD)						
	25	1	9S-8752	1	NUT-FULL (3/8-16-THD)						
	26	1	7N-5368	1	PIN-RACK						
	27	1	8N-1996	1	GASKET						
	28	1	2A-5220	2	PLUG						
	29	1	5M-2894	2	WASHER-HARD (10.2X18.5X2.5-MM THK)						
	30	1	8N-1995	1	COVER						
B	31	2	2A-5220	3	PLUG						
B	32	2	1B-4218	3	WASHER (0.39X0.625X0.064-IN THK)						

B - USE AS REQUIRED

FUEL SYSTEM

4W-2966 CONTROL GP-FUEL INJECTION (contd.)

i06999216



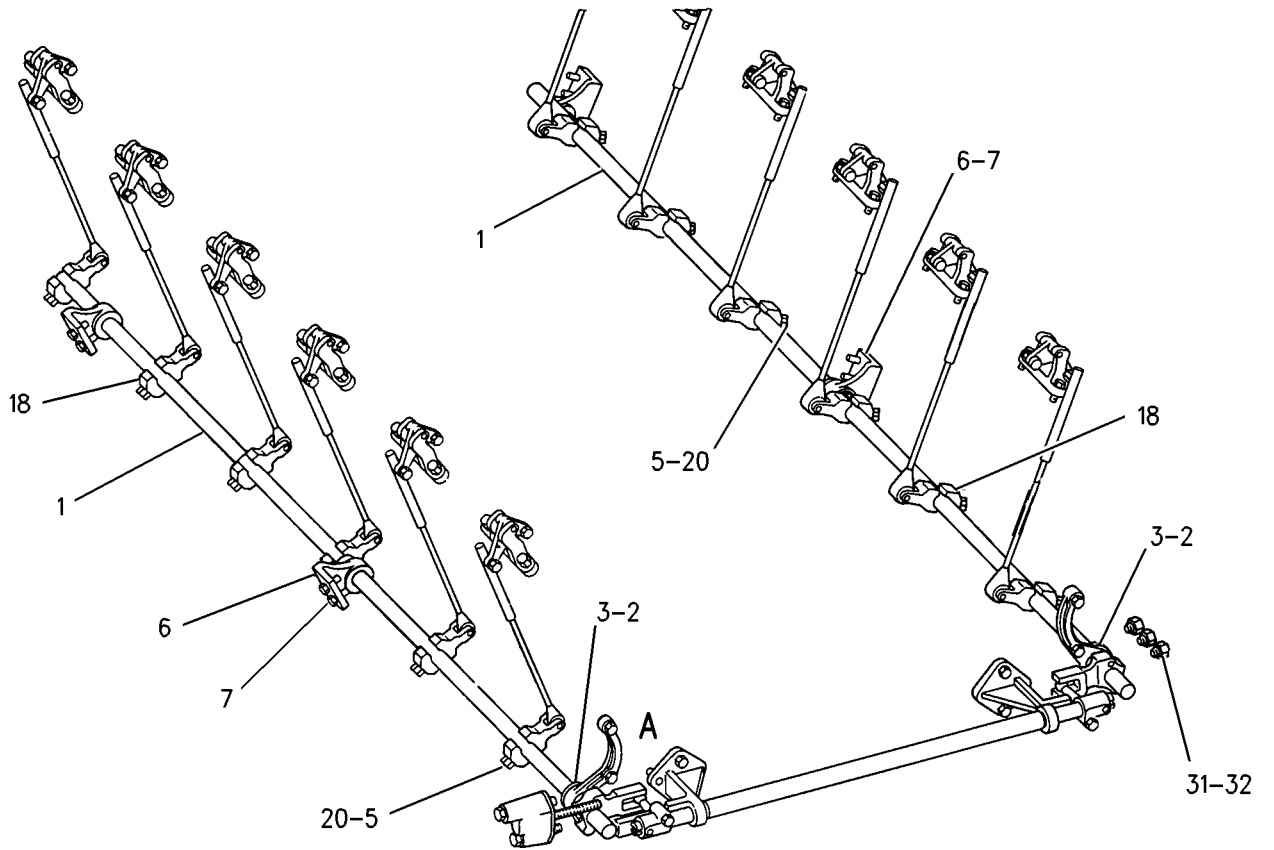
GRAPHIC #1

g00888711

FUEL SYSTEM

4W-2966 CONTROL GP-FUEL INJECTION (contd.)

i06999216



GRAPHIC #2

<END>

g00888712

FUEL SYSTEM

8N-7725 CONTROL GP-FUEL INJECTION

S/N: 50Y647; 66Z190-206

SMCS-1265, 1298

i00941057

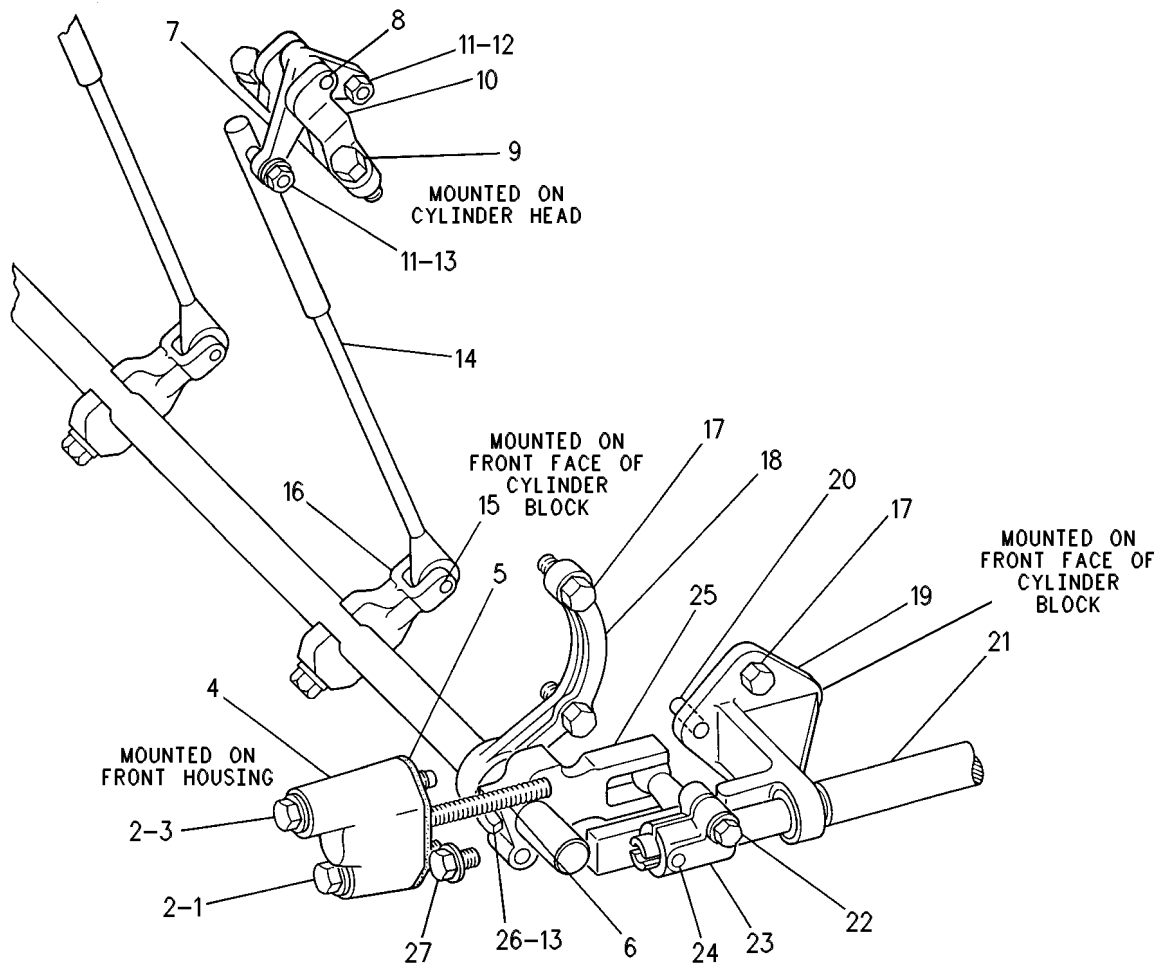
NOTE	REF NO	GRAPHIC REF	PART NUMBER	QTY	PART NAME						SEE PAGE
					1	2	3	4	5	6 (PRODUCT LEVEL)	
	1	1	2L-6324	1	BOLT (3/8-16X2.25-IN)						
	2	1	5M-2894	2	WASHER-HARD (10.2X18.5X2.5-MM THK)						
	3	1	7N-5368	1	PIN-RACK						
	4	1	8N-1995	1	COVER						
	5	1	8N-1996	1	GASKET						
	6	1	4B-3612	1	SETSCREW						
		1	9S-8752	1	NUT-FULL (3/8-16-THD)						
	7	1	7N-5360	12	LEVER						
	8	1	7N-5352	12	DOWEL						
	9	1	005-8160	24	BOLT-12 POINT HEAD (1/4-20X0.875-IN)						
	10	1	7N-5358	12	BRACKET						
	11	1	2L-9038	24	LOCKNUT (1/4-28-THD)						
	12	1	7N-5343	12	BOLT-PIVOT (1/4-28-THD)						
	13	1	5P-0537	14	WASHER-HARD (7.2X14.5X2-MM THK)						
	14	1	7N-5372	12	ROD AS-CONTROL						
	15	1	7N-5367	12	DOWEL						
	16	1	1N-4673	12	LEVER						
	17	1	0S-1594	8	BOLT (3/8-16X1-IN)						
	18	1	7N-5976	2	SUPPORT AS						
	19	1	7N-5345	2	BRACKET AS						
					(EACH INCLUDES)						
		1	7N-5984	1	BEARING						
	20	1	7N-2047	2	DOWEL						
	21	1	7N-5376	1	SHAFT						
	22	1	4B-3388	2	BOLT (5/16-18X1.125-IN)						
		1	9M-1974	2	WASHER-HARD (8.8X16X2-MM THK)						
	23	1	7N-5378	2	LEVER AS						
					(EACH INCLUDES)						
	24	1	7N-5352	1	DOWEL						
	25	1	1N-4674	2	LEVER-GOVERNOR						
	26	1	6V-3279	2	BOLT-SPECIAL						
	27	1	2A-5220	2	PLUG						
		1	1B-4218	2	WASHER (0.39X0.625X0.064-IN THK)						
C	28	2	6V-3279	12	BOLT-SPECIAL						
C	29	2	5P-0537	12	WASHER-HARD (7.2X14.5X2-MM THK)						
C	30	2	061-8114	4	RING-RETAINING						
C	31	2	1W-4341	2	SHAFT-FUEL CONTROL						
	32	2	1N-2972	4	BRACKET AS						
					(EACH INCLUDES)						
		2	7N-5984	1	BEARING						
	33	2	0L-1351	8	BOLT (3/8-16X0.875-IN)						
	34	2	8N-2004	12	CAP						
C	35	2	9L-9398	4	WASHER						
	36	2	2A-5220	3	PLUG						
		2	1B-4218	3	WASHER (0.39X0.625X0.064-IN THK)						

C - CHANGE FROM PREVIOUS TYPE

FUEL SYSTEM

8N-7725 CONTROL GP-FUEL INJECTION (contd.)

i00941057



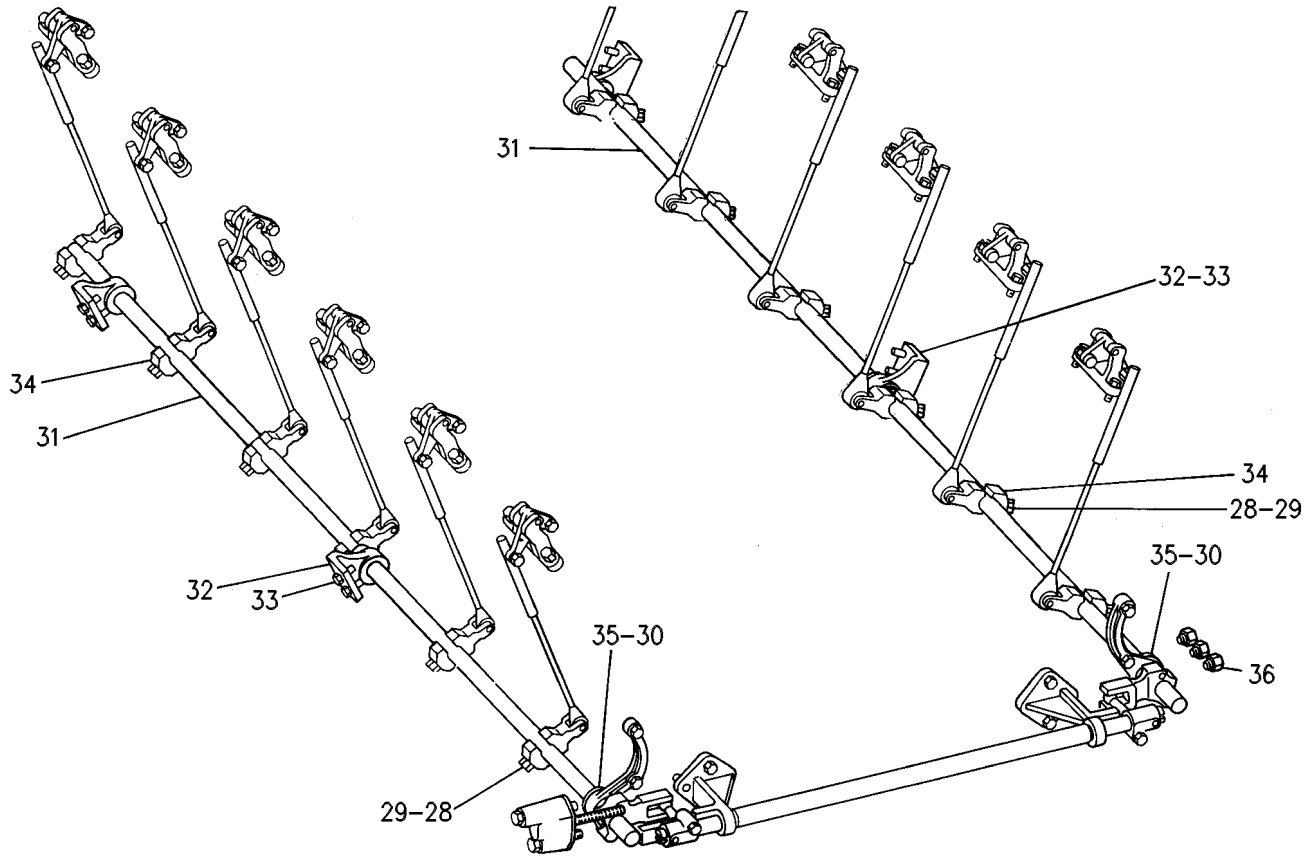
GRAPHIC #1

g00387667

FUEL SYSTEM

8N-7725 CONTROL GP-FUEL INJECTION (contd.)

i00941057



GRAPHIC #2

<END>

g00387668

FUEL SYSTEM

101-8238 CONTROL GP-FUEL RATIO

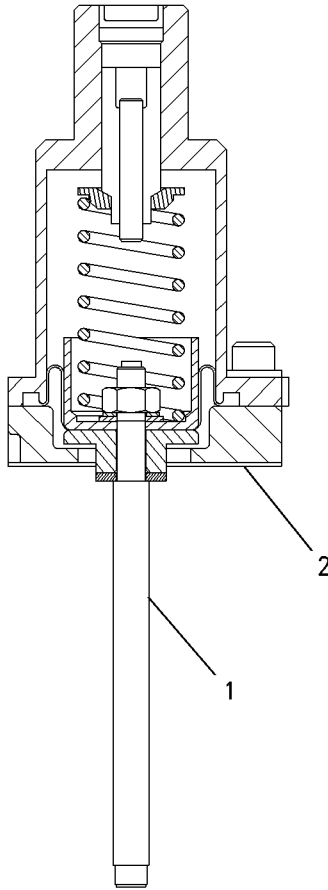
S/N: 50Y1078-1304; 66Z493-578

PART OF 124-3173, 124-3174, 6I-0664, 6I-0665 GOVERNOR GP
ALSO AN ATTACHMENT

SMCS-1278

i01395348

NOTE	REF NO	GRAPHIC REF	PART NUMBER	QTY	PART NAME						SEE PAGE
					1	2	3	4	5	6 (PRODUCT LEVEL)	
	1	1	133-9309	1	STEM AS						
	2	1	2W-0142	1	GASKET-GUIDE						
AVAILABLE REPAIR KIT(S):											
			4P-6869	1	KIT-CONTROL REPAIR (FUEL RATIO)						
(KIT INCLUDES PLUG, DIAPGRAM & SEAL)											



GRAPHIC #1

<END>

g00735248

FUEL SYSTEM

2W-1647 CONTROL GP-FUEL RATIO

PART OF 1W-4859 GOVERNOR GP

ALSO AN ATTACHMENT

SMCS-1278

i00931947

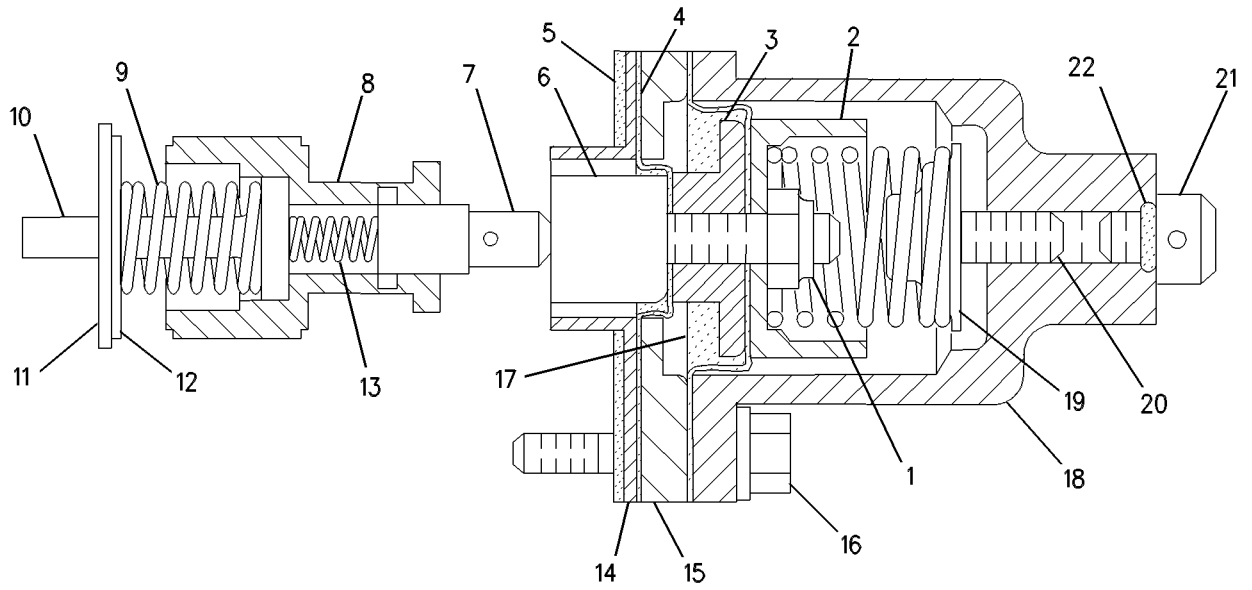
NOTE	REF NO	GRAPHIC REF	PART NUMBER	QTY	PART NAME						SEE PAGE
					1	2	3	4	5	6 (PRODUCT LEVEL)	
	1	1	2F-3219	1	NUT-ELASTIC STOP						
	2	1	2W-4610	1	PISTON-LIMITER						
	3	1	2W-5001	1	SPACER						
	4	1	2W-0122	1	DIAPHRAGM						
	5	1	2W-0142	1	GASKET-GUIDE						
	6	1	2W-0143	1	SCREW AS-CLAMP						
	7	1	2W-4617	1	PLUNGER						
	8	1	2W-4626	1	PISTON-LIMITER						
	9	1	2W-4999	1	SPRING-RETURN						
	10	1	2W-4613	1	ROD-OUTPUT						
	11	1	4D-1322	1	RING-RETAINING						
	12	1	2W-4620	1	SEAT-SPRING						
	13	1	2W-4997	1	SPRING-RETURN						
	14	1	2W-5012	1	GUIDE-DIAPHRAGM						
	15	1	2W-5008	1	SPACER						
	16	1	2W-0138	3	SCREW-FORMING (1/4-20X1-IN)						
	17	1	2W-0121	1	DIAPHRAGM						
	18	1	2W-5872	1	COVER AS-LIMITER						
	19	1	2W-4616	1	SEAT-SPRING						
	20	1	9L-9777	1	SETSCREW						
	21	1	2W-6418	1	PLUG						
C	22	1	2W-0221	1	SEAL-O-RING						

C - CHANGE FROM PREVIOUS TYPE

FUEL SYSTEM

2W-1647 CONTROL GP-FUEL RATIO (contd.)

i00931947



GRAPHIC #1

<END>

g00477703

FUEL SYSTEM

7C-3998 CONTROL GP-FUEL RATIO

S/N: 50Y667-736; 66Z198-578

PART OF 7C-0083, 7C-2850, 7C-3023, 7C-5681 GOVERNOR GP
ALSO AN ATTACHMENT

SMCS-1278

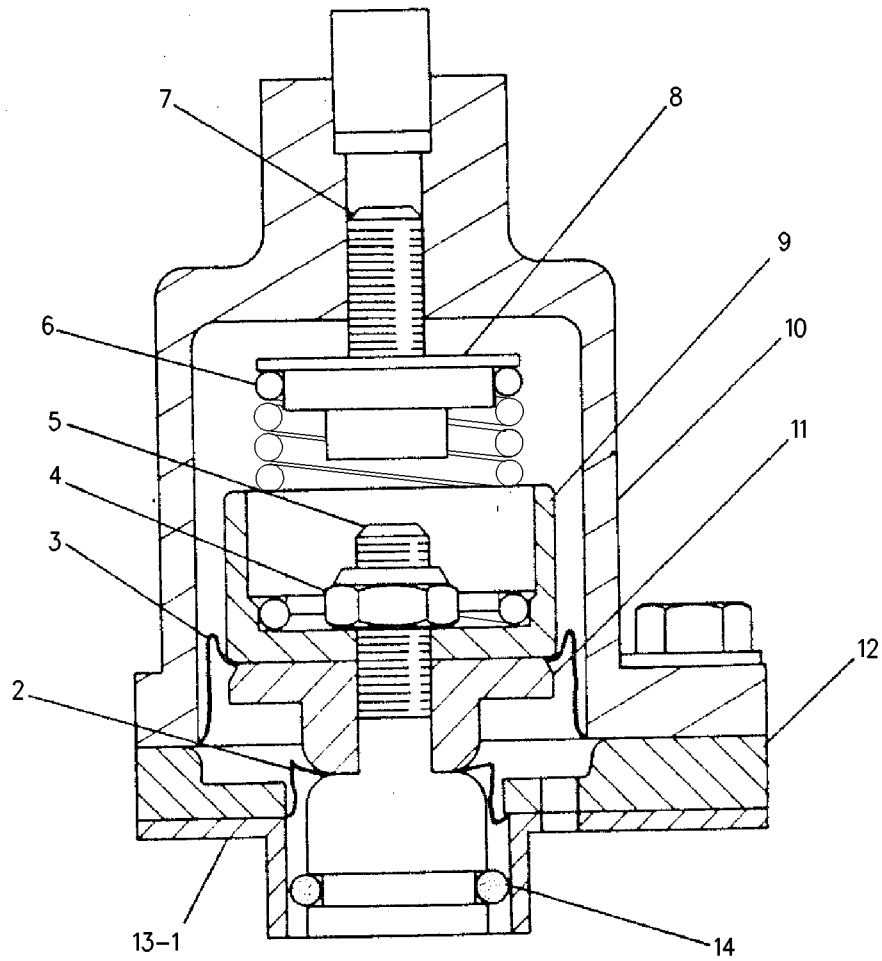
i02390843

NOTE	REF NO	GRAPHIC REF	PART NUMBER	QTY	PART NAME						SEE PAGE
					1	2	3	4	5	6 (PRODUCT LEVEL)	
	1	1	2W-5012	1	GUIDE-DIAPHRAGM						
	2	1	2W-0122	1	DIAPHRAGM						
	3	1	2W-0121	1	DIAPHRAGM						
	4	1	2F-3219	1	NUT-ELASTIC STOP						
	5	1	7C-4000	1	SCREW AS						
	6	1	2W-1918	1	SPRING-LIMITER						
	7	1	7C-0082	1	SCREW AS-CLAMP						
	8	1	7C-0080	1	SEAT-UPPER SPRING						
	9	1	2W-4610	1	PISTON-LIMITER						
	10	1	4W-7367	1	COVER AS-LIMITER						
	11	1	2W-5001	1	SPACER						
	12	1	2W-5008	1	SPACER						
	13	1	2W-0142	1	GASKET-GUIDE						
	14	1	5H-6005	1	SEAL-O-RING						
					AVAILABLE REPAIR KIT(S):						
					4W-8207						
					KIT-FUEL RATIO CONTROL						
					(KIT INCLUDES PIN, GASKETS, PLATE, SEAL, DIAPHRAGMS & RETAINING RING)						

FUEL SYSTEM

7C-3998 CONTROL GP-FUEL RATIO (contd.)

102390843



GRAPHIC #1

<END>

g00922174

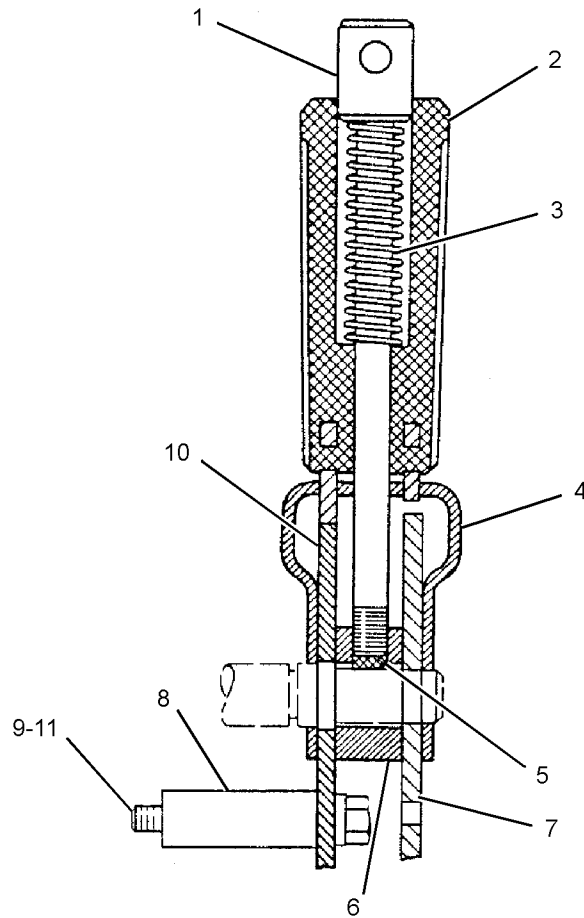
FUEL SYSTEM

2W-0543 CONTROL GP-GOVERNOR-REMOTE POSITIVE LOCK AN ATTACHMENT

SMCS-1265, 1276

i07109186

NOTE	REF NO	GRAPHIC REF	PART NUMBER	QTY	PART NAME						SEE PAGE
					1	2	3	4	5	6 (PRODUCT LEVEL)	
	1	1	4W-2541	1	SHAFT						
	2	1	4N-4523	1	HANDLE AS						
	3	1	4W-2542	1	SPRING						
	4	1	4N-4520	1	GUIDE						
	5	1	5K-0605	1	PLUG						
	6	1	8L-4282	1	HUB						
	7	1	5N-7812	1	RATCHET-GOVERNOR CONTROL						
	8	1	8B-2026	4	SPACER (0.438X0.75X1.5-IN THK)						
	9	1	1D-4539	4	BOLT (5/16-18X2.5-IN)						
	10	1	4N-4519	1	QUADRANT-CONTROL						
	11	1	9M-1974	4	WASHER-HARD (8.8X16X2-MM THK)						



GRAPHIC #1

<END>

g03256519

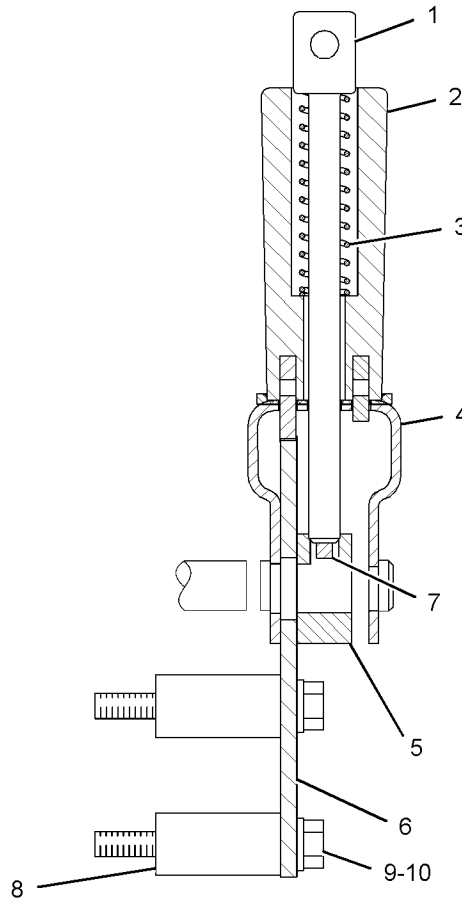
FUEL SYSTEM

2W-0688 CONTROL GP-GOVERNOR FOR USE WITH 3161 ISOCHRONOUS GOVERNORS AN ATTACHMENT

SMCS-1265, 1276

i03421110

NOTE	REF NO	GRAPHIC REF	PART NUMBER	QTY	PART NAME						SEE PAGE
					1	2	3	4	5	6 (PRODUCT LEVEL)	
	1	1	4W-2541	1	SHAFT						
	2	1	4N-4523	1	HANDLE AS						
	3	1	4W-2542	1	SPRING						
	4	1	4N-4520	1	GUIDE						
	5	1	8L-4282	1	HUB						
	6	1	5N-7812	1	RATCHET-GOVERNOR CONTROL						
	7	1	5K-0605	1	PLUG						
	8	1	8B-2026	4	SPACER (0.438X0.75X1.5-IN THK)						
	9	1	1D-4539	4	BOLT (5/16-18X2.5-IN)						
	10	1	9M-1974	4	WASHER-HARD (8.8X16X2-MM THK)						



GRAPHIC #1

<END>

g01805914

FUEL SYSTEM

2W-1459 CONTROL GP-GOVERNOR

PART OF 1W-4859 GOVERNOR GP

ALSO AN ATTACHMENT

SMCS-1265, 1276

i00968720

NOTE	REF NO	GRAPHIC REF	PART NUMBER	QTY	PART NAME						SEE PAGE
					1	2	3	4	5	6 (PRODUCT LEVEL)	
	1	1	1W-9784	1	BELLOWS AS (11.12MM)						
	2	1	2W-0119	2	BEARING						
	3	1	2W-0138	9	SCREW-FORMING (1/4-20X1-IN)						
	4	1	2W-0221	2	SEAL-O-RING						
	5	1	2W-5873	1	HOUSING AS						
	6	1	5P-5600	1	SEAL-O-RING						
	7	1	2W-0225	1	SEAL-O-RING						
	8	1	6V-5048	1	SEAL-O-RING						
	9	1	2W-3591	1	WASHER						
	10	1	2W-1475	1	SPRING						
	11	1	2W-1476	1	SPRING						
	12	1	2W-1477	2	SPRING						
	13	1	2W-0125	1	GASKET						
	14	1	2W-1479	1	PIN-SHAFT						
	15	1	2W-1480	1	PLUNGER						
	16	1	2W-1481	1	PISTON						
C	17	1	2W-6418	2	PLUG						
	18	1	2W-5010	1	LEVER AS						
	19	1	2W-5871	1	GUIDE AS						
	20	1	2W-4625	1	NOZZLE						
	21	1	2W-4629	1	PLATE						
	22	1	2W-4623	1	PLUG						
	23	1	2W-5003	1	PLUG AS						
	24	1	5P-4672	1	RING-RETAINING						
	25	1	2W-4622	1	ROD						
	26	1	2W-4630	1	STRAP-HOLD-DOWN						
	27	1	8F-6302	1	BOLT (1/4-20X3.75-IN)						
	28	1	2W-4627	1	SEAT						
	29	1	9M-5590	1	BALL						
	30	1	2W-5913	1	SCREW						
	31	1	2W-4615	1	SEAT-SPRING						
	32	1	2D-6642	1	BALL						
	33	1	2W-5916	1	SCREW (1/4-28X4.5-IN)						
	34	1	2W-4619	1	SEAT						
C	35	1	6V-8139	1	SCREW-SOCKET HEAD (10-32-THD) (HEX HEAD)						
CF		1	2W-4624	1	PLUG-DETENT ADJUSTMENT						
F		1	2W-0222	1	SEAL-O-RING						
(PLUG & SEAL FOR DROOP ADJUSTMENT HOLE)											

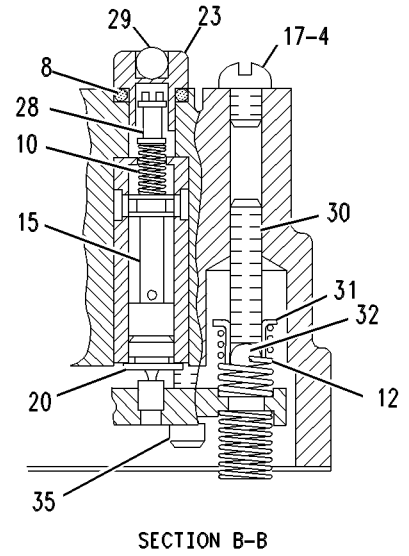
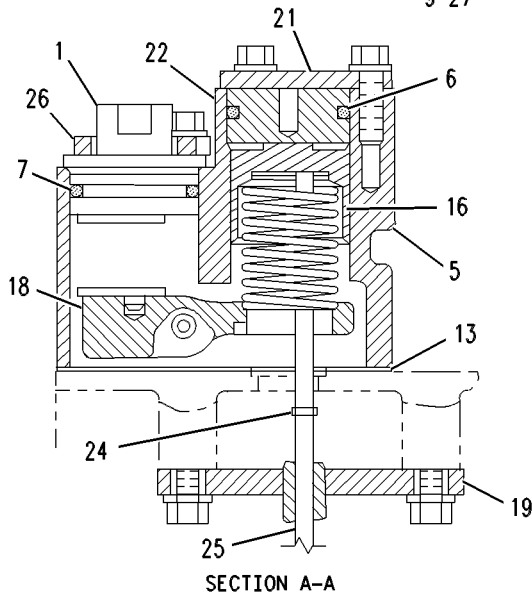
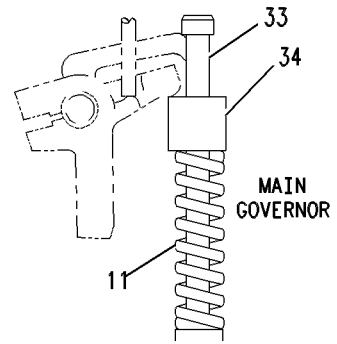
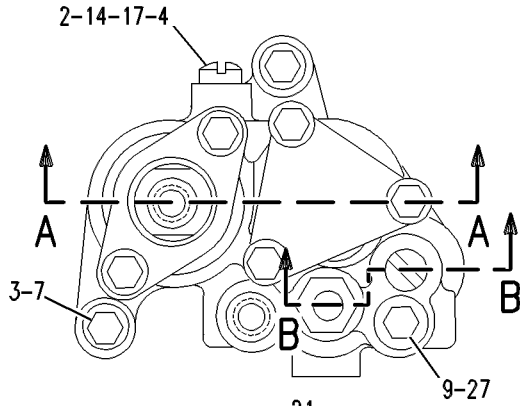
C - CHANGE FROM PREVIOUS TYPE

F - NOT SHOWN

FUEL SYSTEM

2W-1459 CONTROL GP-GOVERNOR (contd.)

i00968720



GRAPHIC #1

<END>

g00500365

FUEL SYSTEM

2W-2643 CONTROL GP-GOVERNOR

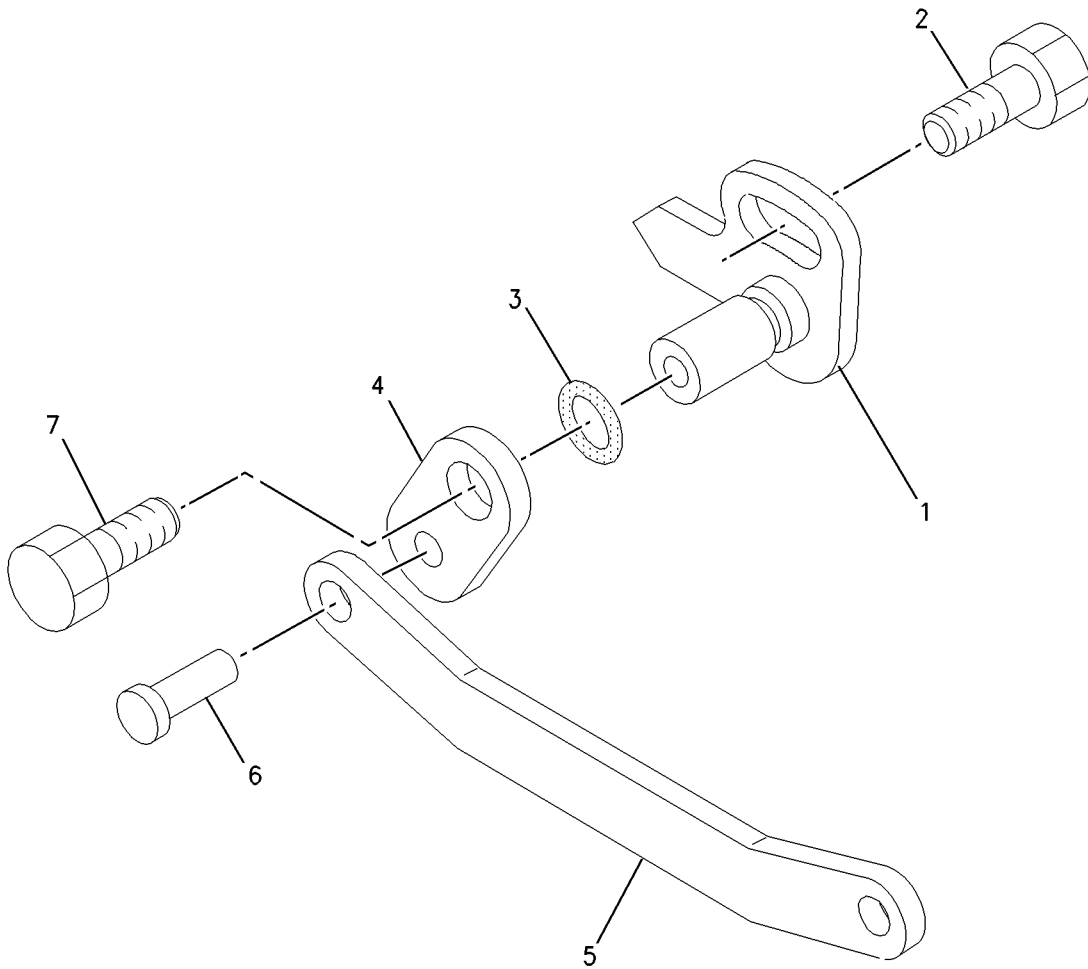
S/N: 50Y713-874; 66Z221-578

PART OF 7C-0084, 7C-2850, 7C-5681, 7E-4537, 7W-3285, 9Y-2651, 9Y-2652 GOVERNOR GP
ALSO AN ATTACHMENT

SMCS-1265, 1276

i01413438

NOTE	REF NO	GRAPHIC REF	PART NUMBER	QTY	PART NAME						SEE PAGE
					1	2	3	4	5	6	
	1	1	2W-0147	1	SHAFT AS						
	2	1	2W-0138	1	SCREW-FORMING (1/4-20X1-IN)						
	3	1	2W-0224	1	SEAL-O-RING						
	4	1	2W-5006	1	LEVER-ADJUSTMENT						
	5	1	2W-5007	1	LINK-ADJUSTMENT						
	6	1	2F-6721	1	PIN-RACK						
	7	1	0S-1614	1	BOLT (1/4-20X0.5-IN)						



GRAPHIC #1

<END>

g00743990

FUEL SYSTEM

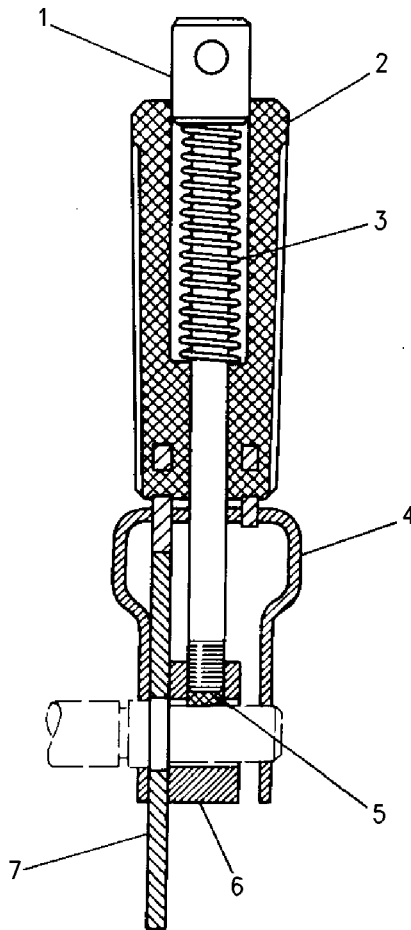
4N-3830 CONTROL GP-GOVERNOR POSITIVE LOCK PART OF 5N-3072, 8N-2355 CONTROL GP-GOVERNOR AN ATTACHMENT

SMCS-1265, 1276

i01793820

NOTE	REF NO	GRAPHIC REF	PART NUMBER	QTY	PART NAME						SEE PAGE
					1	2	3	4	5	6 (PRODUCT LEVEL)	
	1	1	4W-2541	1	SHAFT						
	2	1	4N-4523	1	HANDLE AS						
	3	1	4W-2542	1	SPRING						
	4	1	4N-4520	1	GUIDE						
	5	1	5K-0605	1	PLUG						
	6	1	8L-4282	1	HUB						
C	7	1	6N-0775	1	RATCHET-GOVERNOR CONTROL						

C - CHANGE FROM PREVIOUS TYPE



GRAPHIC #1

<END>

g00744117

FUEL SYSTEM

4P-6538 CONTROL GP-GOVERNOR

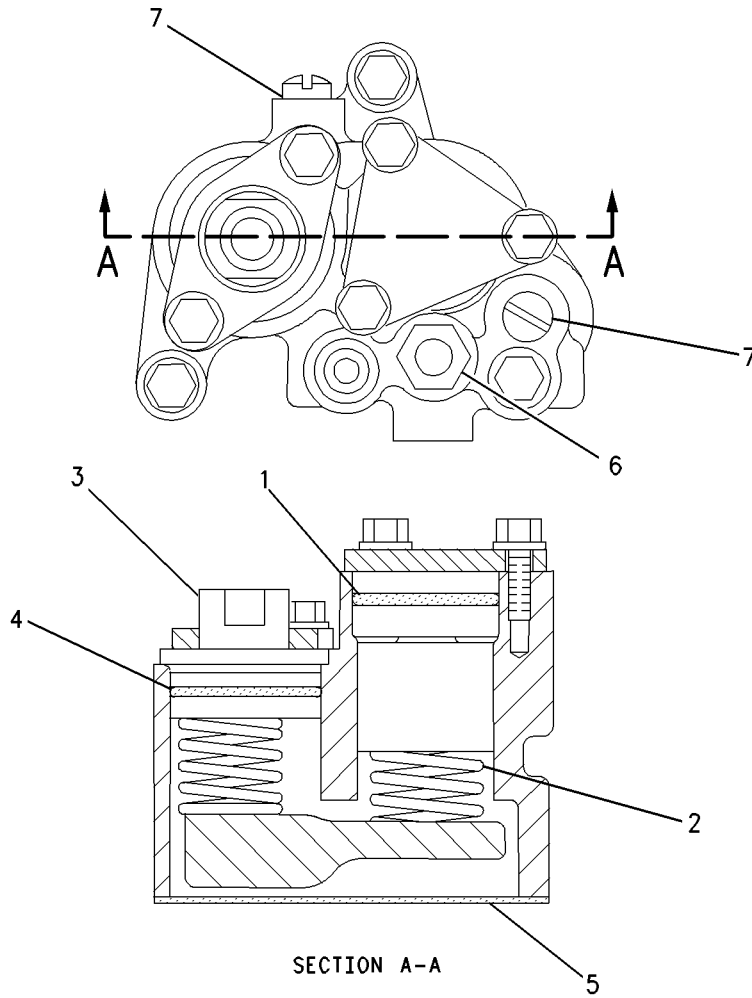
S/N: 50Y1078-1304; 66Z493-578

PART OF 124-3174, 6I-0665 GOVERNOR GP
ALSO AN ATTACHMENT

SMCS-1265, 1276

i01612570

NOTE	REF NO	GRAPHIC REF	PART NUMBER	QTY	PART NAME						SEE PAGE
					1	2	3	4	5	6	
	1	1	5P-5600	1	SEAL-O-RING						
	2	1	7E-9534	1	SPRING						
	3	1	7W-0948	1	BELLOWS AS						
	4	1	2W-0225	1	SEAL-O-RING						
	5	1	2W-0125	1	GASKET						
	6	1	6V-5048	1	SEAL-O-RING						
	7	1	2W-0221	2	SEAL-O-RING						



GRAPHIC #1

<END>

g00735247

FUEL SYSTEM

5N-3072 CONTROL GP-GOVERNOR

AIR ACTUATED
FOR USE WITH UG8L GOVERNOR
AN ATTACHMENT

SMCS-1265, 1276

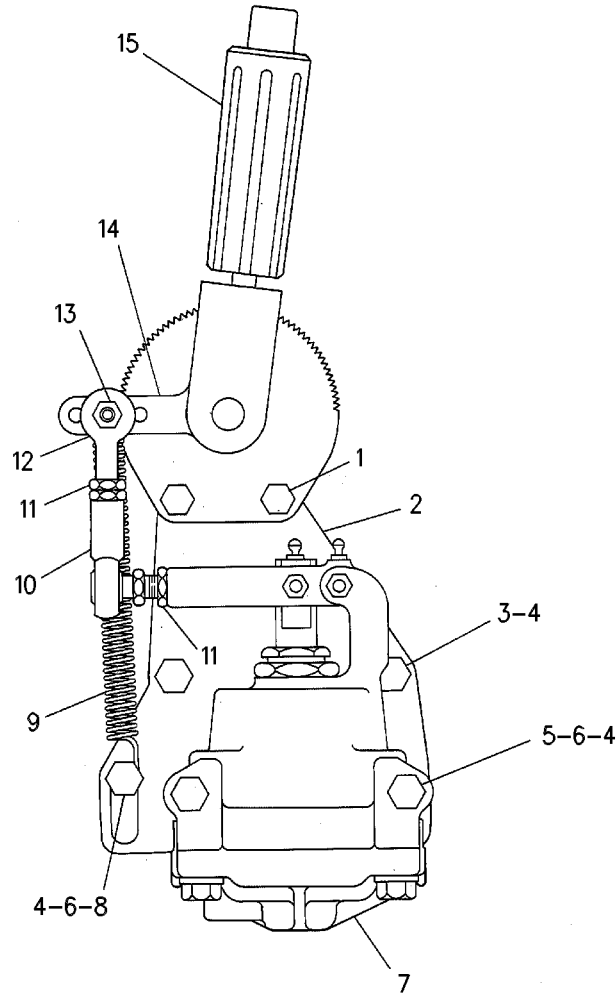
i00931945

NOTE	REF NO	GRAPHIC REF	PART NUMBER	QTY	PART NAME						SEE PAGE
					1	2	3	4	5	6 (PRODUCT LEVEL)	
	1	1	0S-1618	2	BOLT (5/16-18X1-IN)						
		1	1D-4716	2	NUT-FULL (5/16-18-THD)						
		1	9M-1974	4	WASHER-HARD (8.8X16X2-MM THK)						
	2	1	5N-3073	1	BRACKET						
	3	1	0S-0509	2	BOLT (3/8-16X0.75-IN)						
	4	1	5M-2894	8	WASHER-HARD (10.2X18.5X2.5-MM THK)						
C	5	1	0S-1590	2	BOLT (3/8-16X2-IN)						
C		1	2B-0941	2	SPACER (10.5X19X19-MM THK)						
	6	1	1D-4717	4	NUT (3/8-16-THD)						
C	7	1	3N-9124	1	ACTUATOR GP-AIR						
C	8	1	0L-2070	1	BOLT (3/8-16X2.25-IN)						
C		1	9N-1534	1	SPACER						
	9	1	9L-6626	1	SPRING						
	10	1	5J-5315	1	ROD END						
C	11	1	9L-9089	2	NUT (3/8-24-THD)						
	12	1	3H-4976	1	ROD END						
C	13	1	9F-7022	1	BOLT (1/4-20X1.5-IN)						
C		1	1B-4330	2	NUT (1/4-20-THD)						
C		1	5P-0537	1	WASHER-HARD (7.2X14.5X2-MM THK)						
	14	1	5N-3074	1	QUADRANT-CONTROL						
Y	15	1	4N-3830	1	CONTROL GP-GOVERNOR						977
AVAILABLE REPAIR KIT(S) :											
C			4W-0085	1	KIT-AIR ACTUATOR (INCLUDES COVER, LEVER, DIAPHRAGM, BEARINGS, & PUSH ROD AS)						
C			7W-4923	1	KIT-DIAPHRAGM (INCLUDES BEARINGS & DIAPHRAGM)						
C - CHANGE FROM PREVIOUS TYPE											
Y - SEPARATE ILLUSTRATION											

FUEL SYSTEM

5N-3072 CONTROL GP-GOVERNOR (contd.)

i00931945



GRAPHIC #1

<END>

g00477556

FUEL SYSTEM

7C-3999 CONTROL GP-GOVERNOR

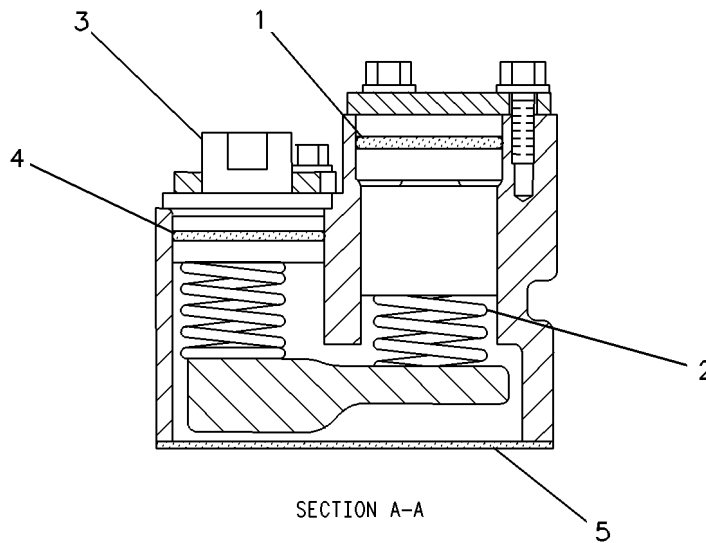
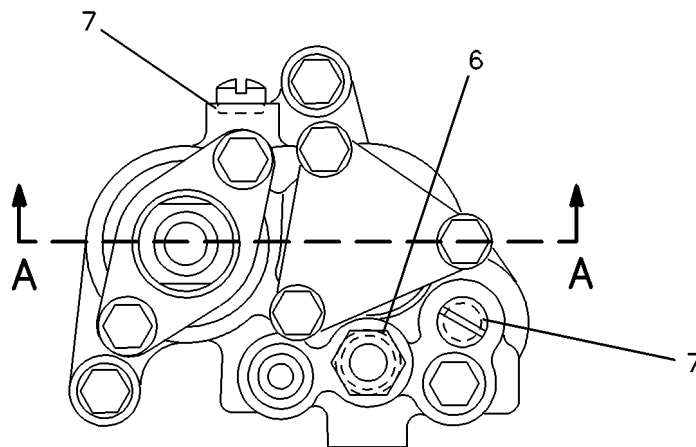
S/N: 50Y667-874; 66Z198-578

PART OF 7C-0083, 7C-2850, 7E-4537, 9Y-2652 GOVERNOR GP
ALSO AN ATTACHMENT

SMCS-1265, 1276

i00079728

NOTE	REF NO	GRAPHIC REF	PART NUMBER	QTY	PART NAME						SEE PAGE
					1	2	3	4	5	6 (PRODUCT LEVEL)	
	1	1	5P-5600	1	SEAL-O-RING						
	2	1	4W-6627	1	SPRING-ADJUSTMENT						
	3	1	7W-0948	1	BELLOWS AS						
	4	1	2W-0225	1	SEAL-O-RING						
	5	1	2W-0125	1	GASKET						
	6	1	6V-5048	1	SEAL-O-RING						
	7	1	2W-0221	2	SEAL-O-RING						



GRAPHIC #1

<END>

g00064858

FUEL SYSTEM

8N-2355 CONTROL GP-GOVERNOR

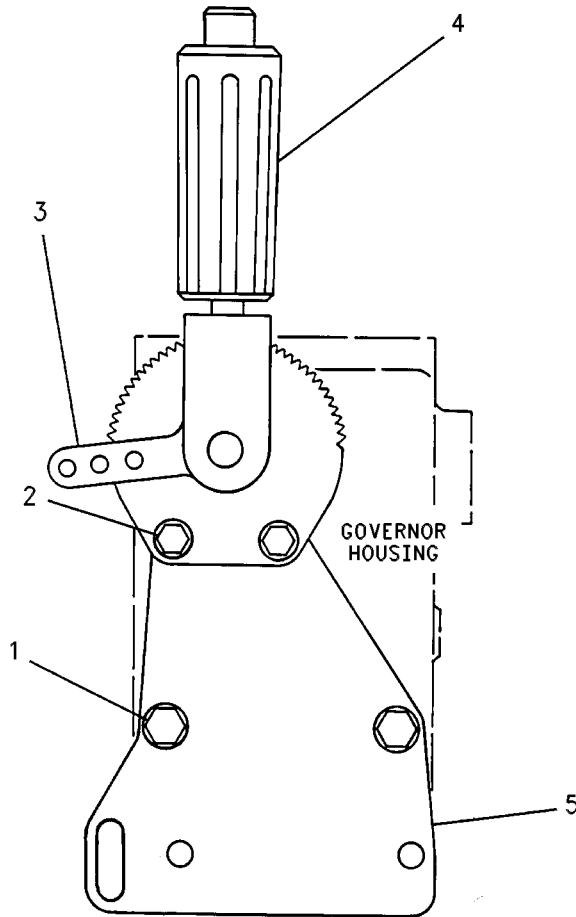
**REMOTE & POSITIVE LOCK
FOR USE WITH UG8L GOVERNOR
AN ATTACHMENT**

SMCS-1265, 1276

i00931940

NOTE	REF NO	GRAPHIC REF	PART NUMBER	QTY	PART NAME						SEE PAGE
					1	2	3	4	5	6 (PRODUCT LEVEL)	
	1	1	0S-0509	2	BOLT (3/8-16X0.75-IN)						
		1	5M-2894	2	WASHER-HARD (10.2X18.5X2.5-MM THK)						
	2	1	0S-1618	2	BOLT (5/16-18X1-IN)						
		1	1D-4716	2	NUT-FULL (5/16-18-THD)						
		1	9M-1974	4	WASHER-HARD (8.8X16X2-MM THK)						
	3	1	5N-3074	1	QUADRANT-CONTROL						
Y	4	1	4N-3830	1	CONTROL GP-GOVERNOR						977
	5	1	5N-3073	1	BRACKET						

Y - SEPARATE ILLUSTRATION



GRAPHIC #1

<END>

g00477197

FUEL SYSTEM

2W-0232 COVER GP-GOVERNOR

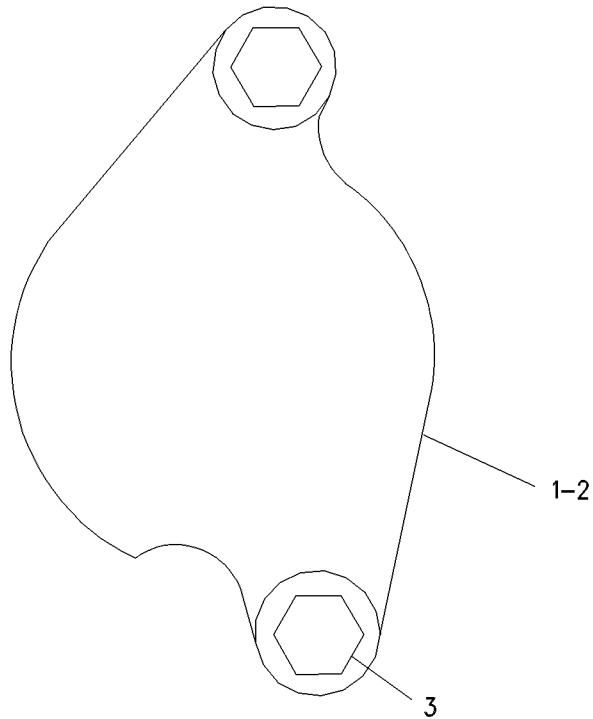
PART OF 1W-4859 GOVERNOR GP

ALSO AN ATTACHMENT

SMCS - 1264

i00931614

NOTE	REF NO	GRAPHIC REF	PART NUMBER	QTY	PART NAME						SEE PAGE
					1	2	3	4	5	6 (PRODUCT LEVEL)	
	1	1	2W-0776	1	COVER-SHUTDOWN						
	2	1	1W-9782	1	GASKET-SHUTOFF						
	3	1	2W-0138	2	SCREW-FORMING (1/4-20X1-IN)						



GRAPHIC #1

<END>

g00474943

FUEL SYSTEM

2W-0782 COVER GP-GOVERNOR

S/N: 50Y647-1304; 66Z190-265

LIMITER & PNEUMATIC SPEED SETTING

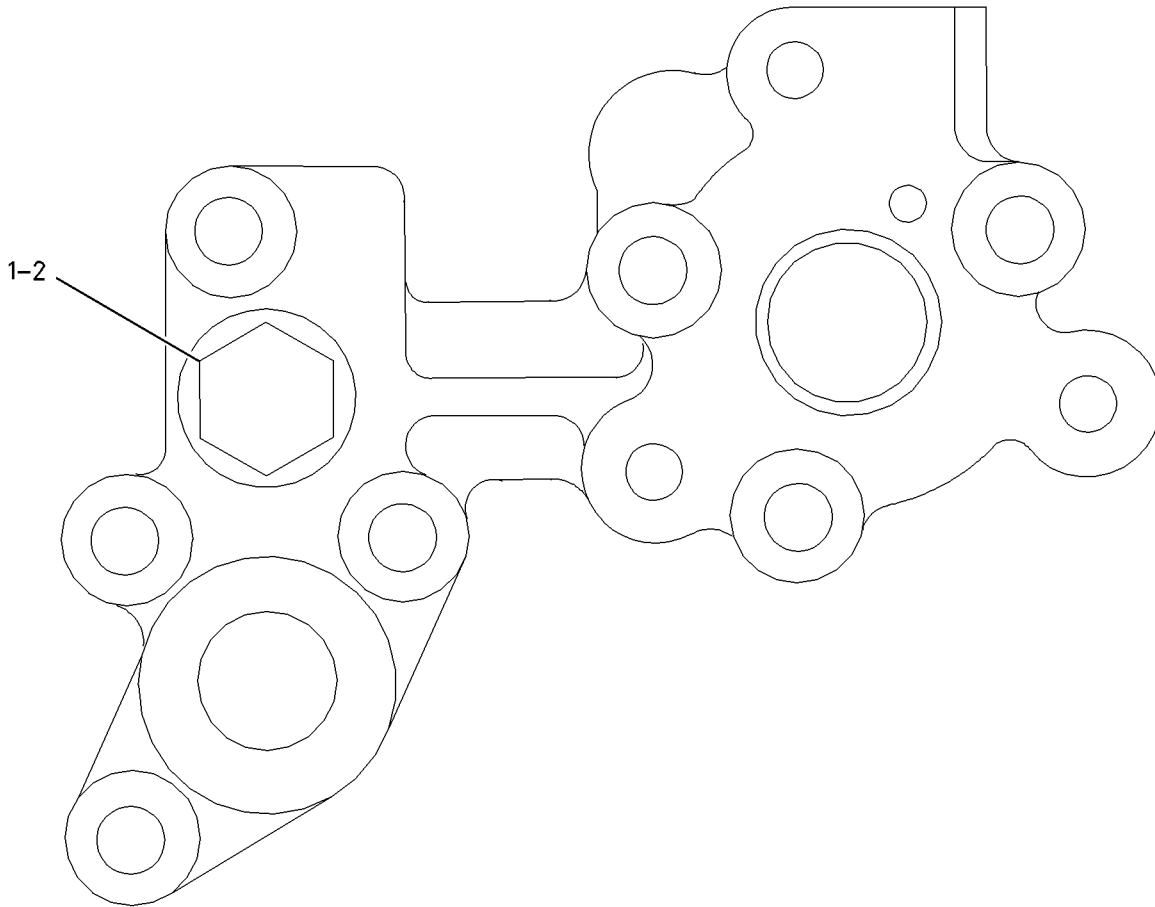
PART OF 2W-1220 COVER GP-GOVERNOR, 4W-7241, 4W-7269, 7C-0083, 7C-0084, 7C-2850, 7C-3023, 7C-5681, 7W-3285 GOVERNOR GP

ALSO AN ATTACHMENT

SMCS-1264

i01450741

NOTE	REF NO	GRAPHIC REF	PART NUMBER	QTY	PART NAME						SEE PAGE
					1	2	3	4	5	6 (PRODUCT LEVEL)	
1	1	1	9S-4182	1	PLUG (7/16-20-THD)						
2	1	1	6V-5048	1	SEAL-O-RING						



GRAPHIC #1

<END>

g00759214

FUEL SYSTEM

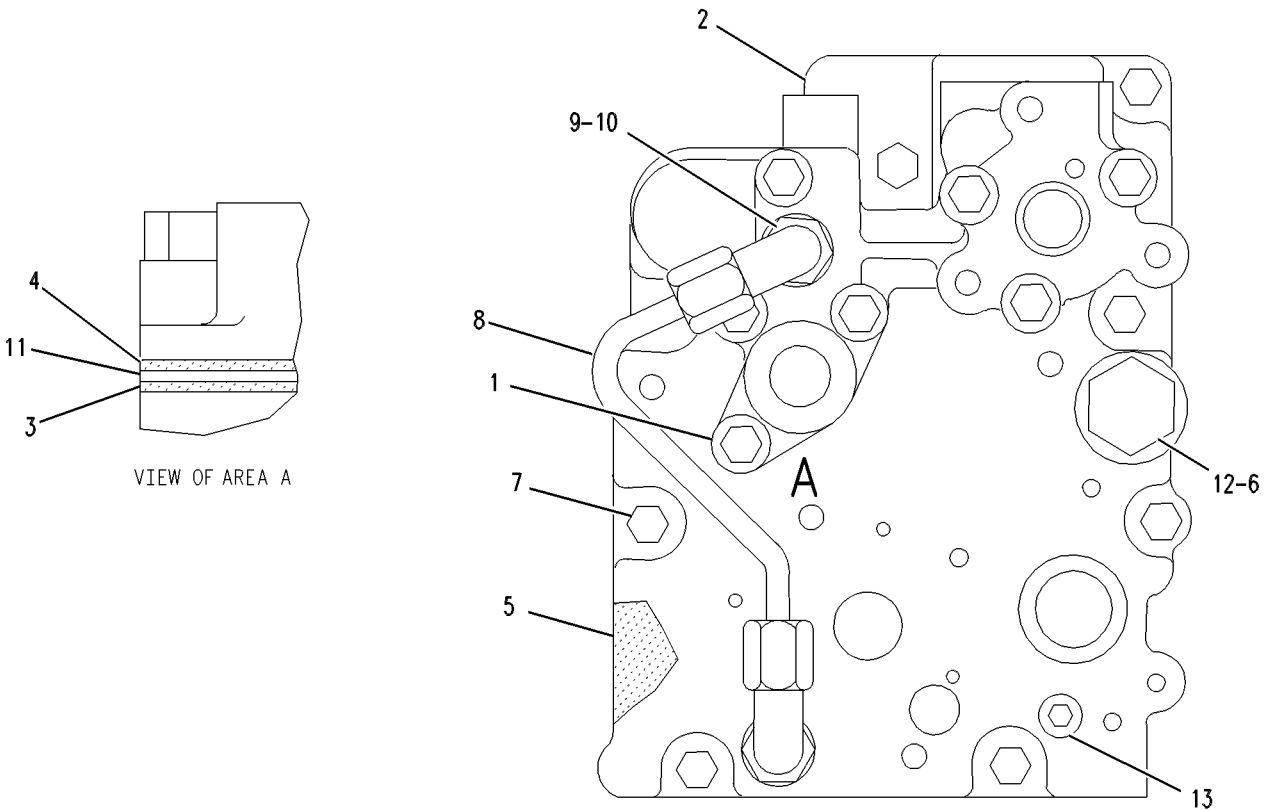
2W-1220 COVER GP-GOVERNOR WITH LIMITER, SHUT DOWN & PNEUMATIC SPEED SETTING PART OF 1W-4859 GOVERNOR GP ALSO AN ATTACHMENT

SMCS-1264

i02667613

NOTE	REF NO	GRAPHIC REF	PART NUMBER	QTY	PART NAME						SEE PAGE
					1	2	3	4	5	6 (PRODUCT LEVEL)	
Y	1	1	2W-0782	1	COVER GP-GOVERNOR						984
	2	1	2W-0779	1	COVER						
	3	1	2W-0123	1	GASKET - PLATE						
	4	1	1W-9781	1	GASKET - PLATE						
	5	1	1W-9780	1	GASKET						
	6	1	8L-2786	1	SEAL - O-RING						
	7	1	2W-0138	15	SCREW-FORMING (1/4-20X1-IN)						
	8	1	2W-4633	1	TUBE						
	9	1	6V-5048	2	SEAL - O-RING						
	10	1	030-7946	2	ELBOW						
	11	1	2W-4606	1	PLATE-ORIFICE						
	12	1	9S-4185	1	PLUG (3/4-16-THD)						
C	13	1	2W-6890	1	PLUG-HEX SOCKET						
C		1	5P-7812	1	SEAL - O-RING						

C - CHANGE FROM PREVIOUS TYPE
Y - SEPARATE ILLUSTRATION



GRAPHIC #1

<END>

g00476740

FUEL SYSTEM

1W-2135 DRIVE GP-GOVERNOR

PART OF 4W-1522, 4W-1534 CONVERSION AR-ENGINE, 1W-5017, 1W-5021, 2W-8583, 2W-8585,
7W-3331, 7W-3332, 7W-3333, 8N-6712, 8N-6714 GOVERNOR GP
ALSO AN ATTACHMENT

SMCS-1288

i04547000

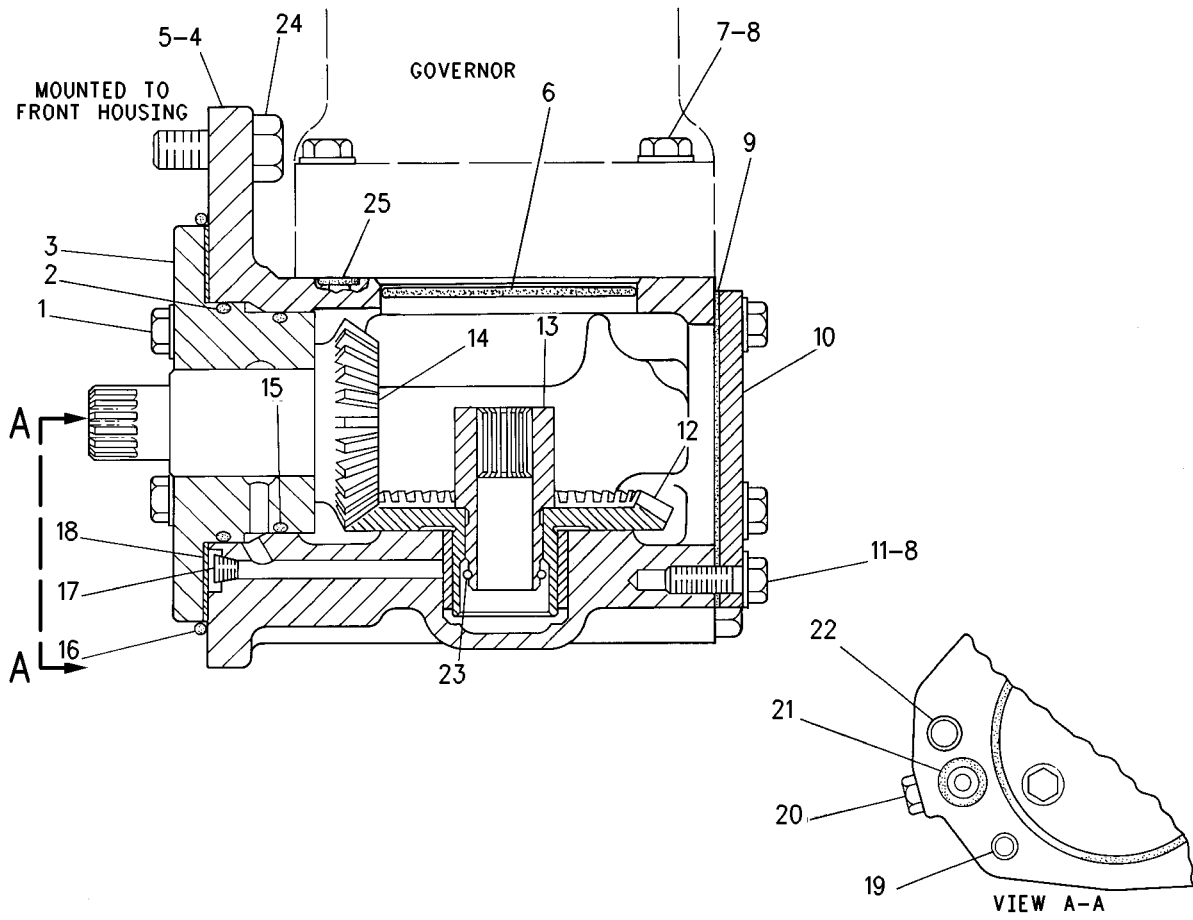
NOTE	REF NO	GRAPHIC REF	PART NUMBER	QTY	PART NAME						SEE PAGE
					1	2	3	4	5	6 (PRODUCT LEVEL)	
	1	1	2B-2695	4	BOLT (5/16-18X0.875-IN)						
		1	9M-1974	4	WASHER-HARD (8.8X16X2-MM THK)						
	2	1	6J-2244	1	SEAL-O-RING						
	3	1	7N-5700	1	ADAPTER						
	4	1	1W-2133	1	HOUSING AS-DRIVE						
		1	1W-9379	1	BUSHING						
	5	1	1T-0550	2	PIN-SPRING						
	6	1	8C-5197	1	SEAL-O-RING						
	7	1	0L-2070	4	BOLT (3/8-16X2.25-IN)						
	8	1	5M-2894	9	WASHER-HARD (10.2X18.5X2.5-MM THK)						
	9	1	7N-5695	1	GASKET						
	10	1	7N-5696	1	COVER						
	11	1	0S-1594	5	BOLT (3/8-16X1-IN)						
	12	1	1N-3409	1	GEAR-BEVEL (42-TEETH)						
	13	1	8N-9392	1	COUPLING-GOVERNOR DRIVE						
	14	1	7N-5701	1	PINION-GOVERNOR DRIVE (24-TEETH)						
	15	1	061-9457	1	SEAL-O-RING						
	16	1	6V-8260	1	SEAL-O-RING						
	17	1	8T-6757	3	PLUG-PIPE						
B	18	1	7N-5694	1	SHIM (0.8-MM THK)						
	19	1	1A-7669	2	BOLT (1/2-13X7-IN)						
	20	1	9S-4182	2	PLUG (7/16-20-THD)						
		1	6V-5048	2	SEAL-O-RING						
	21	1	6V-3348	2	SEAL-O-RING						
	22	1	1D-4588	2	BOLT (5/8-11X4.25-IN)						
	23	1	4H-8158	1	RING-RETAINING						
	24	1	0S-1621	2	BOLT (1/2-13X1-IN)						
	25	1	3P-0647	4	SEAL-O-RING						

B - USE AS REQUIRED

FUEL SYSTEM

1W-2135 DRIVE GP-GOVERNOR (contd.)

i04547000



GRAPHIC #1

<END>

g00705547

FUEL SYSTEM

8N-9662 DRIVE GP-GOVERNOR PART OF 8N-6477, 8N-6481, 8N-6722 GOVERNOR GP AN ATTACHMENT

SMCS-1288

i00931949

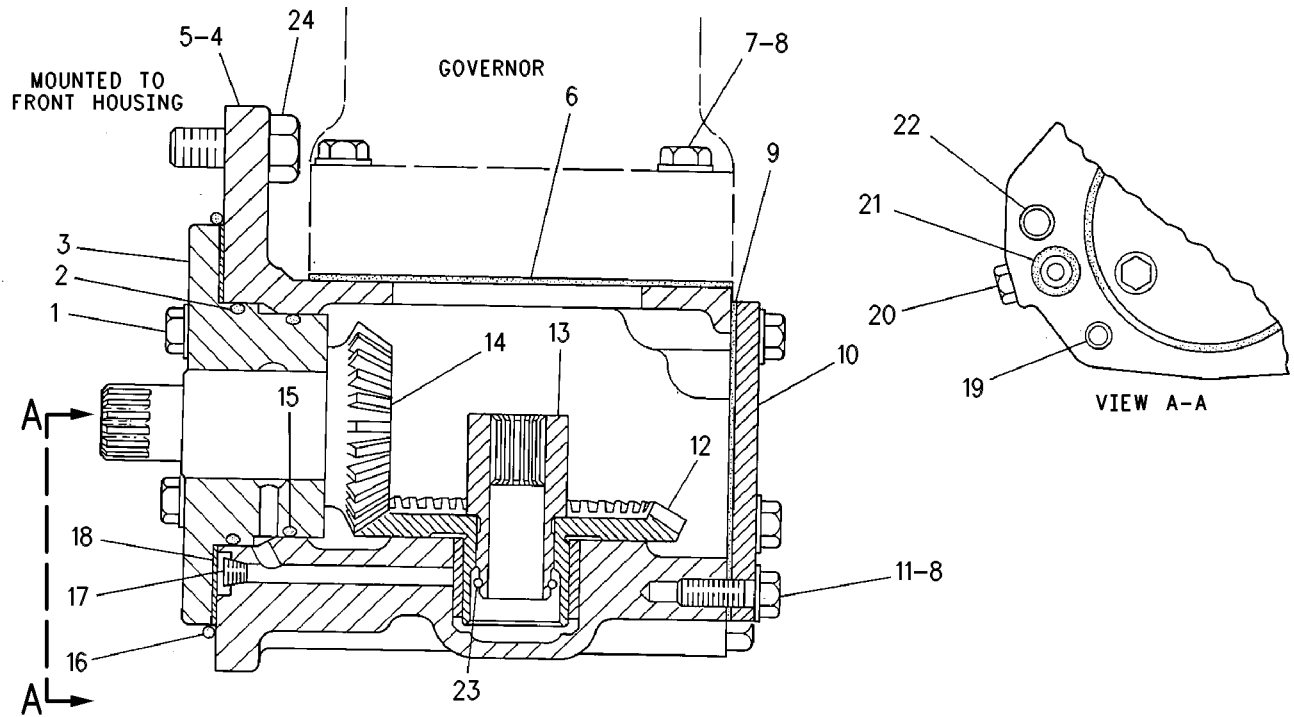
NOTE	REF NO	GRAPHIC REF	PART NUMBER	QTY	PART NAME						SEE PAGE
					1	2	3	4	5	6 (PRODUCT LEVEL)	
	1	1	2B-2695	4	BOLT (5/16-18X0.875-IN)						
		1	9M-1974	4	WASHER-HARD (8.8X16X2-MM THK)						
C	2	1	6J-2244	1	SEAL-O-RING						
	3	1	7N-5700	1	ADAPTER						
C	4	1	1W-3437	1	HOUSING AS-DRIVE						
C		1	1W-9379	1	BUSHING						
C	5	1	1T-0550	1	PIN-SPRING (SPRING)						
	6	1	6L-3401	1	GASKET-GOVERNOR HOUSING						
	7	1	0L-2070	4	BOLT (3/8-16X2.25-IN)						
	8	1	5M-2894	9	WASHER-HARD (10.2X18.5X2.5-MM THK)						
	9	1	7N-5695	1	GASKET						
	10	1	7N-5696	1	COVER						
	11	1	0S-1594	5	BOLT (3/8-16X1-IN)						
	12	1	1N-3409	1	GEAR-BEVEL (42-TEETH)						
	13	1	8N-9392	1	COUPLING-GOVERNOR DRIVE						
	14	1	7N-5701	1	PINION-GOVERNOR DRIVE						
C	15	1	061-9457	1	SEAL-O-RING						
C	16	1	6V-8260	1	SEAL-O-RING						
	17	1	9F-2247	2	PLUG-PIPE						
CB	18	1	7N-5694	1	SHIM (0.8-MM THK)						
	19	1	1A-7669	2	BOLT (1/2-13X7-IN)						
	20	1	9S-4182	1	PLUG (7/16-20-THD)						
C		1	6V-5048	1	SEAL-O-RING						
C	21	1	6V-3348	2	SEAL-O-RING						
	22	1	1D-4588	2	BOLT (5/8-11X4.25-IN)						
	23	1	4H-8158	1	RING-RETAINING						
	24	1	0S-1595	2	BOLT (1/2-13X1.25-IN)						

B - USE AS REQUIRED
C - CHANGE FROM PREVIOUS TYPE

FUEL SYSTEM

8N-9662 DRIVE GP-GOVERNOR (contd.)

i00931949



GRAPHIC #1

<END>

g00477782

FUEL SYSTEM

4W-5267 DRIVE GP-TACHOMETER AN ATTACHMENT

SMCS-7487

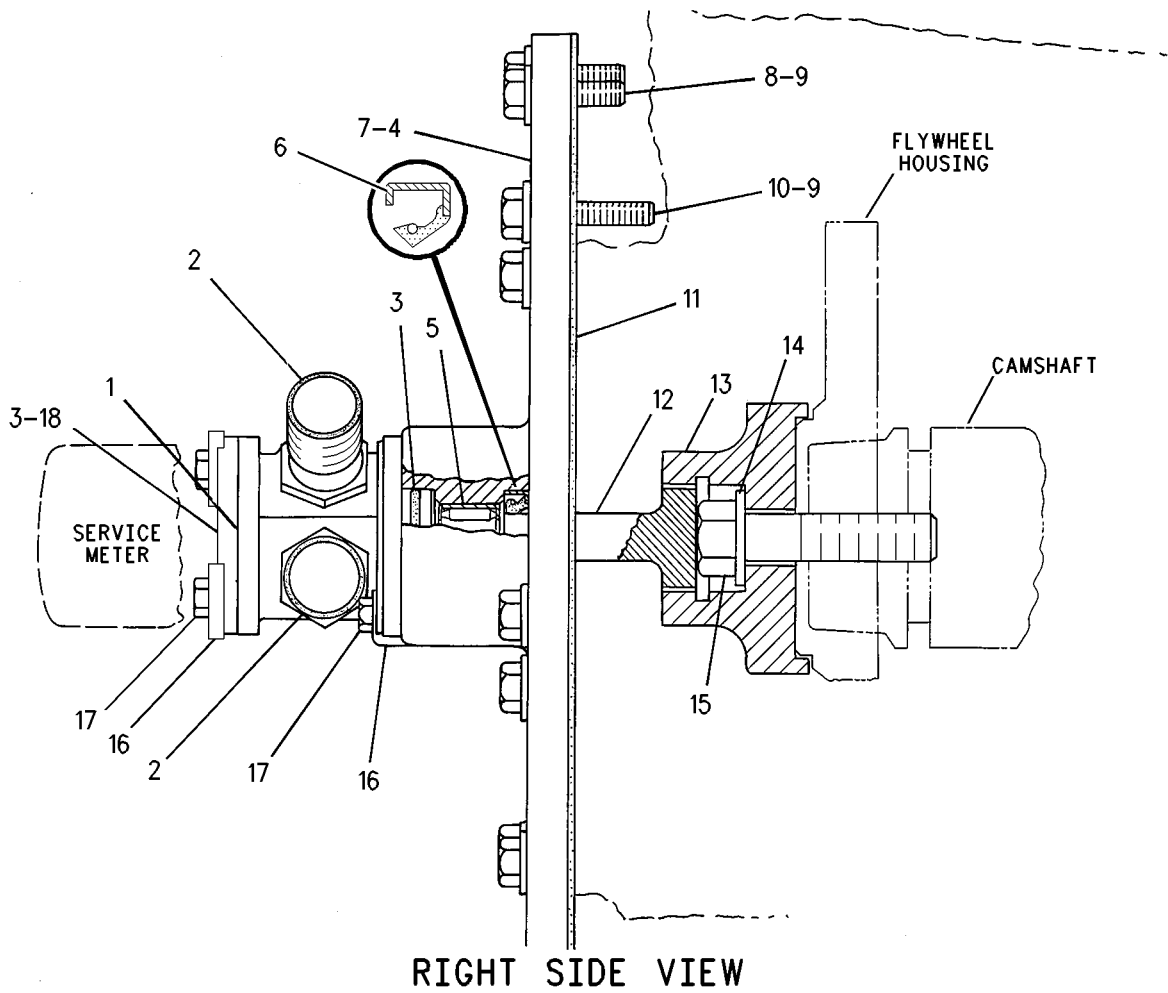
i07142225

NOTE	REF NO	GRAPHIC REF	PART NUMBER	QTY	PART NAME						SEE PAGE
					1	2	3	4	5	6 (PRODUCT LEVEL)	
	1	1	4W-2493	1	ADAPTER AS-DRIVE						
	2	1	7H-9899	2	SEAL						
	3	1	4M-8303	2	SEAL-O-RING						
	4	1	1N-3126	1	COVER AS-CAMSHAFT DRIVE						
	5	1	1F-4622	1	BEARING AS-NEEDLE						
	6	1	4S-7756	1	SEAL-LIP TYPE						
	7	1	5M-4987	2	DOWEL						
	8	1	1A-2029	8	BOLT (3/8-16X1.125-IN)						
	9	1	5M-2894	10	WASHER-HARD (10.2X18.5X2.5-MM THK)						
	10	1	0S-1591	2	BOLT (3/8-16X1.5-IN)						
	11	1	7N-4320	1	GASKET						
	12	1	4W-4589	1	SHAFT-TACHOMETER DRIVE						
	13	1	4W-4587	1	ADAPTER-TACHOMETER DRIVE						
	14	1	5P-8248	1	WASHER-HARD (20X36.5X3.5-MM THK)						
	15	1	9X-8887	1	BOLT (3/4-10X3-IN)						
	16	1	9S-0211	4	CLAMP-METER						
	17	1	0S-1615	4	BOLT (1/4-20X0.75-IN)						
	18	1	7N-4076	1	COVER						

FUEL SYSTEM

4W-5267 DRIVE GP-TACHOMETER (contd.)

107142225



GRAPHIC #1

<END>

g00901625

FUEL SYSTEM

8N-5619 DRIVE GP-TACHOMETER

S/N: 66Z190-578

**FOR USE WITH RH OR LH MOUNT ONLY WHEN HYDRO MECHANICAL SHUTOFF GP IS USED
AN ATTACHMENT**

SMCS-7487

i00931965

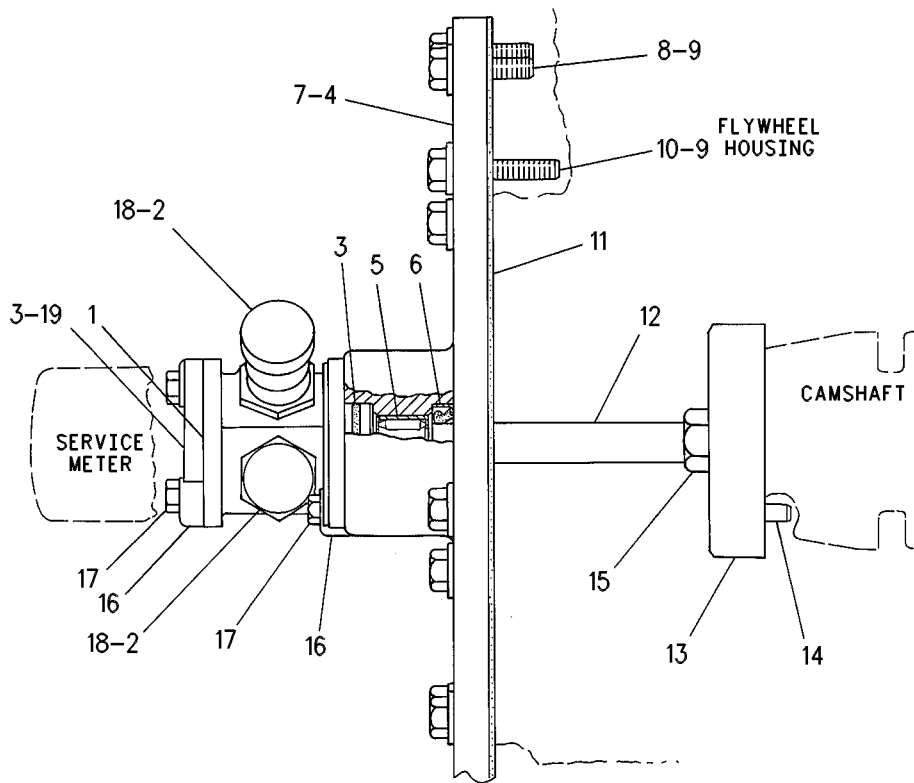
NOTE	REF NO	GRAPHIC REF	PART NUMBER	QTY	PART NAME						SEE PAGE
					1	2	3	4	5	6 (PRODUCT LEVEL)	
C	1	1	4W-2493	1	ADAPTER AS-DRIVE						
C	2	1	9B-2232	2	CAP-TACHOMETER DRIVE						
C	3	1	4M-8303	2	SEAL-O-RING						
	4	1	1N-3126	1	COVER AS-CAMSHAFT DRIVE						
	5	1	1F-4622	1	BEARING AS-NEEDLE						
	6	1	4S-7756	1	SEAL-LIP TYPE						
	7	1	5M-4987	2	DOWEL						
	8	1	1A-2029	8	BOLT (3/8-16X1.125-IN)						
	9	1	5M-2894	10	WASHER-HARD (10.2X18.5X2.5-MM THK)						
	10	1	0S-1591	2	BOLT (3/8-16X1.5-IN)						
	11	1	7N-4320	1	GASKET						
	12	1	1N-3125	1	SHAFT-TACHOMETER DRIVE						
	13	1	7N-3667	1	ADAPTER AS-DRIVE						
	14	1	9S-1307	2	DOWEL						
	15	1	2B-0947	2	BOLT (1/2-13X2.25-IN)						
C	16	1	9S-0211	4	CLAMP-METER						
C	17	1	0S-1615	4	BOLT (1/4-20X0.75-IN)						
C	18	1	7H-9899	2	SEAL						
C	19	1	7N-4076	1	COVER						

C - CHANGE FROM PREVIOUS TYPE

FUEL SYSTEM

8N-5619 DRIVE GP-TACHOMETER (contd.)

100931965



GRAPHIC #1

<END>

g00478301

FUEL SYSTEM

1W-6034 FASTENER GP-FUEL INJ PUMP-RH

S/N: 50Y875-1304; 66Z381-578

TORQUE CONTROL

PART OF 8N-6712, 8N-6714 GOVERNOR GP

ALSO AN ATTACHMENT

SMCS-1251

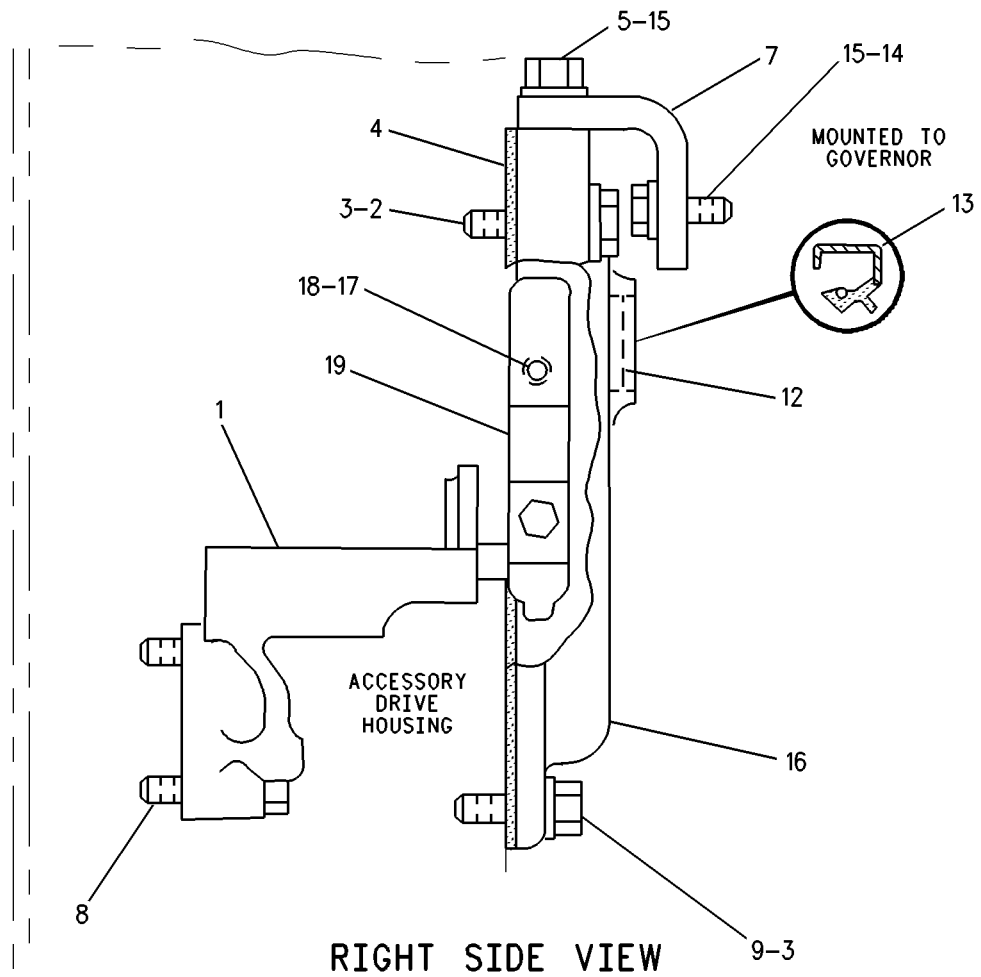
i03293349

NOTE	REF NO	GRAPHIC REF	PART NUMBER	QTY	PART NAME						SEE PAGE
					1	2	3	4	5	6	
	1	1	8N-0032	1	LEVER-GOVERNOR						
	2	1	2A-4639	2	BOLT (3/8-16X1.625-IN)						
	3	1	5M-2894	7	WASHER-HARD (10.2X18.5X2.5-MM THK)						
	4	1	8N-9885	1	GASKET-COVER						
	5	1	0S-1594	2	BOLT (3/8-16X1-IN)						
	7	1	1W-8434	1	SUPPORT-GOVERNOR						
	8	1	7F-5634	2	BOLT-SPECIAL						
	9	1	1A-2029	5	BOLT (3/8-16X1.125-IN)						
	12	1	2W-9063	1	WASHER						
	13	1	4H-1722	1	SEAL-LIP TYPE						
	14	1	0L-1351	2	BOLT (3/8-16X0.875-IN)						
	15	1	9L-9132	4	WASHER (10.2X25.5X2.5-MM THK)						
	16	1	1W-6033	1	COVER						
	17	1	2B-2694	1	BOLT (5/16-18X2-IN)						
	18	1	9M-1974	1	WASHER-HARD (8.8X16X2-MM THK)						
	19	1	1W-6035	1	LEVER GP-CALIBRATION (GOVERNOR)						
		1	1W-6032	1	CAM-CALIBRATION						
		1	1S-6097	1	BOLT-LOCKING						

FUEL SYSTEM

1W-6034 FASTENER GP-FUEL INJ PUMP (contd.)

103293349



GRAPHIC #1

<END>

g00922122

FUEL SYSTEM

1W-6036 FASTENER GP-FUEL INJ PUMP-LH

TORQUE CONTROL

PART OF 1W-5021, 2W-8583, 7W-3333 GOVERNOR GP
AN ATTACHMENT

SMCS-1251

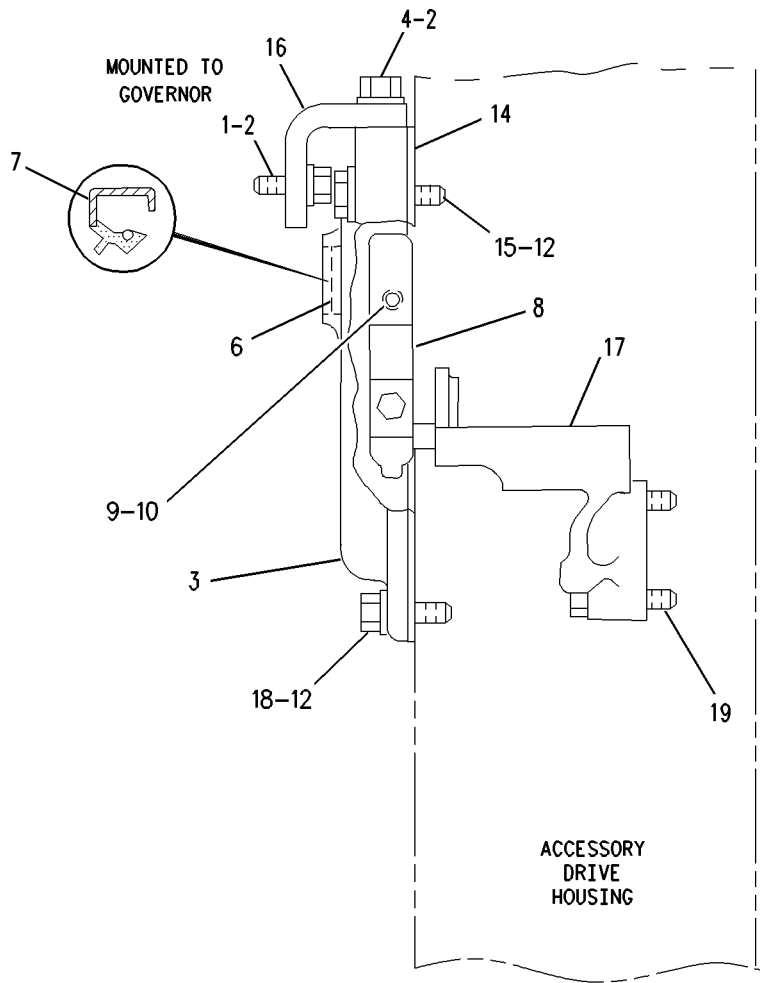
i01328153

NOTE	REF NO	GRAPHIC REF	PART NUMBER	QTY	PART NAME						SEE PAGE
					1	2	3	4	5	6 (PRODUCT LEVEL)	
	1	1	0L-1351	2	BOLT (3/8-16X0.875-IN)						
	2	1	9L-9132	4	WASHER (10.2X25.5X2.5-MM THK)						
	3	1	1W-6033	1	COVER						
	4	1	0S-1594	2	BOLT (3/8-16X1-IN)						
	6	1	2W-9063	1	WASHER						
	7	1	4H-1722	1	SEAL-LIP TYPE						
	8	1	1W-6037	1	LEVER GP-CALIBRATION						
		1	1S-6097	1	BOLT-LOCKING						
		1	1W-6032	1	CAM-CALIBRATION						
	9	1	2B-2694	1	BOLT (5/16-18X2-IN)						
	10	1	9M-1974	1	WASHER-HARD (8.8X16X2-MM THK)						
	12	1	5M-2894	7	WASHER-HARD (10.2X18.5X2.5-MM THK)						
	14	1	8N-9885	1	GASKET-COVER						
	15	1	2A-4639	2	BOLT (3/8-16X1.625-IN)						
	16	1	1W-8434	1	SUPPORT-GOVERNOR						
	17	1	8N-0033	1	LEVER-GOVERNOR						
	18	1	1A-2029	5	BOLT (3/8-16X1.125-IN)						
	19	1	7F-5634	2	BOLT-SPECIAL						

FUEL SYSTEM

1W-6036 FASTENER GP-FUEL INJ PUMP (contd.)

101328153



GRAPHIC #1

<END>

g00702784

FUEL SYSTEM

7N-4867 FASTENER GP-FUEL INJ PUMP

PART OF 7W-3331, 8N-6481, 8N-6712, 8N-6714 GOVERNOR GP
ALSO AN ATTACHMENT

SMCS-1251

i01762834

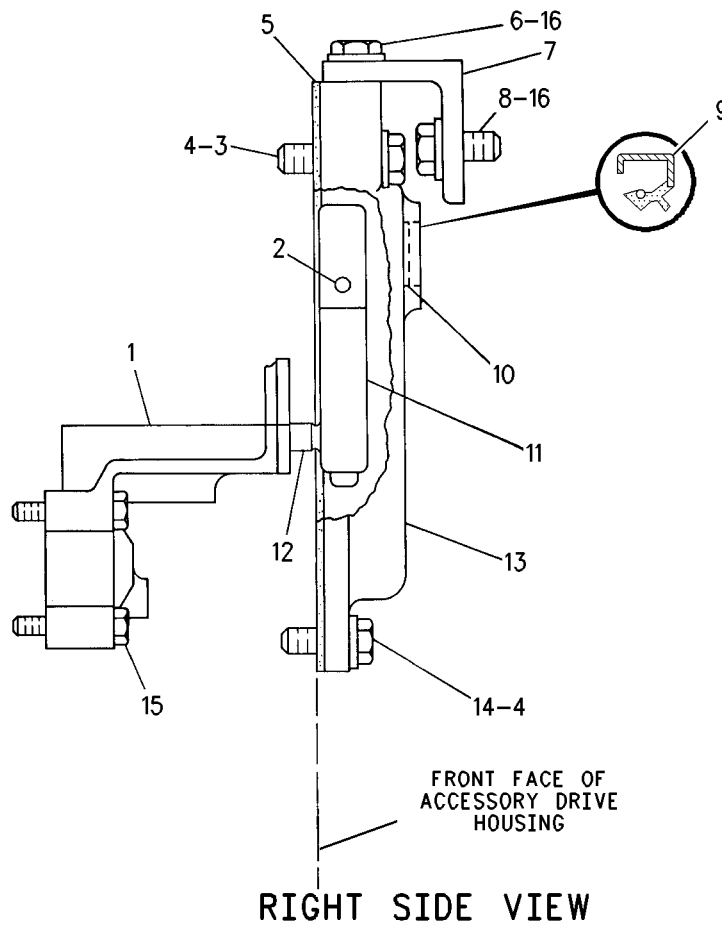
NOTE	REF NO	GRAPHIC REF	PART NUMBER	QTY	PART NAME						SEE PAGE
					1	2	3	4	5	6 (PRODUCT LEVEL)	
	1	1	8N-0032	1	LEVER-GOVERNOR						
	2	1	2B-2694	1	BOLT (5/16-18X2-IN)						
		1	9M-1974	1	WASHER-HARD (8.8X16X2-MM THK)						
	3	1	2A-4639	2	BOLT (3/8-16X1.625-IN)						
C	4	1	5M-2894	7	WASHER-HARD (10.2X18.5X2.5-MM THK)						
	5	1	8N-9885	1	GASKET-COVER						
	6	1	0S-1594	2	BOLT (3/8-16X1-IN)						
	7	1	1W-8434	1	SUPPORT-GOVERNOR						
	8	1	0L-1351	2	BOLT (3/8-16X0.875-IN)						
	9	1	4H-1722	1	SEAL-LIP TYPE						
C	10	1	2W-9063	1	WASHER						
	11	1	7N-9202	1	LEVER AS						
	12	1	8N-8160	1	PIN-RACK ACTUATOR						
	13	1	1W-6033	1	COVER						
	14	1	1A-2029	5	BOLT (3/8-16X1.125-IN)						
	15	1	7F-5634	2	BOLT-SPECIAL						
C	16	1	9L-9132	4	WASHER (10.2X25.5X2.5-MM THK)						

C - CHANGE FROM PREVIOUS TYPE

FUEL SYSTEM

7N-4867 FASTENER GP-FUEL INJ PUMP (contd.)

101762834



GRAPHIC #1

<END>

g00901863

FUEL SYSTEM

8N-4262 FASTENER GP-FUEL INJ PUMP

LH

PART OF 1W-5017, 1W-5021, 2W-8583, 2W-8585, 7W-3332, 7W-3333, 8N-6477, 8N-6722 GOVERNOR GP
AN ATTACHMENT

SMCS-1251

i01334545

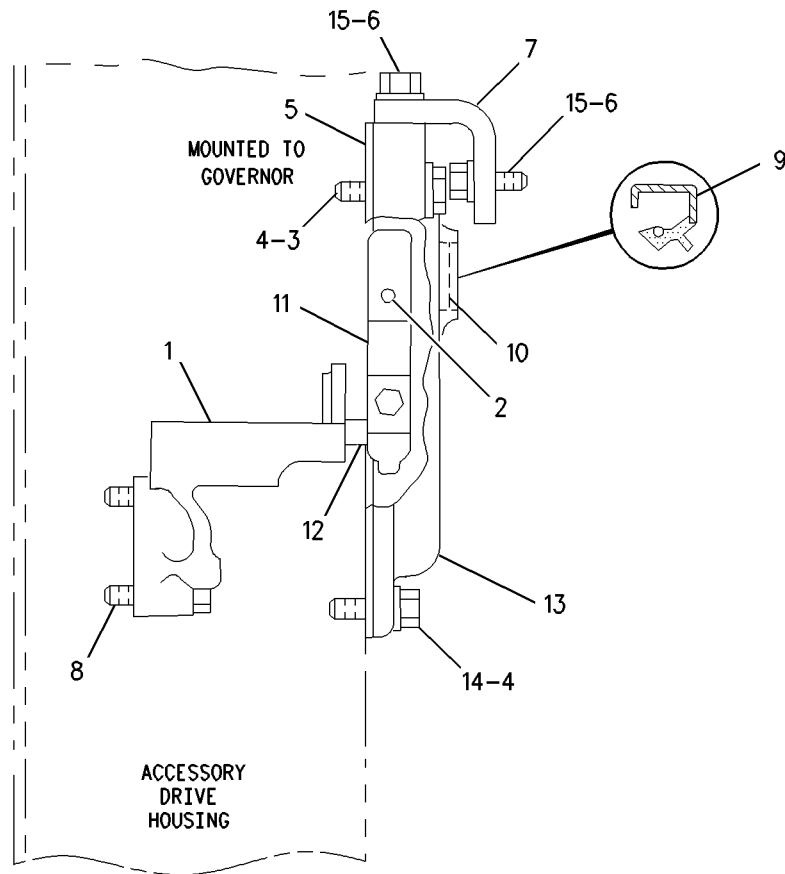
NOTE	REF NO	GRAPHIC REF	PART NUMBER	QTY	PART NAME	SEE PAGE
					1 2 3 4 5 6 (PRODUCT LEVEL)	
	1	1	8N-0033	1	LEVER-GOVERNOR	
	2	1	2B-2694	1	BOLT (5/16-18X2-IN)	
		1	9M-1974	1	WASHER-HARD (8.8X16X2-MM THK)	
	3	1	2A-4639	2	BOLT (3/8-16X1.625-IN)	
	4	1	5M-2894	7	WASHER-HARD (10.2X18.5X2.5-MM THK)	
	5	1	8N-9885	1	GASKET-COVER	
	6	1	0L-1351	4	BOLT (3/8-16X0.875-IN)	
	7	1	1W-8434	1	SUPPORT-GOVERNOR	
	8	1	7F-5634	2	BOLT-SPECIAL	
	9	1	4H-1722	1	SEAL-LIP TYPE	
	10	1	2W-9063	1	WASHER	
	11	1	7N-9776	1	LEVER AS-GOVERNOR	
	12	1	8N-8160	1	PIN-RACK ACTUATOR	
	13	1	1W-6033	1	COVER	
	14	1	1A-2029	5	BOLT (3/8-16X1.125-IN)	
C	15	1	9L-9132	4	WASHER (10.2X25.5X2.5-MM THK)	

C - CHANGE FROM PREVIOUS TYPE

FUEL SYSTEM

8N-4262 FASTENER GP-FUEL INJ PUMP (contd.)

101334545



RIGHT SIDE VIEW

GRAPHIC #1

<END>

g00705808

FUEL SYSTEM

112-4922 FILTER GP-FUEL-RH

S/N: 50Y647-1304

PART OF 376-4849 ENGINE AR-COMplete

SMCS-1261

i04724270

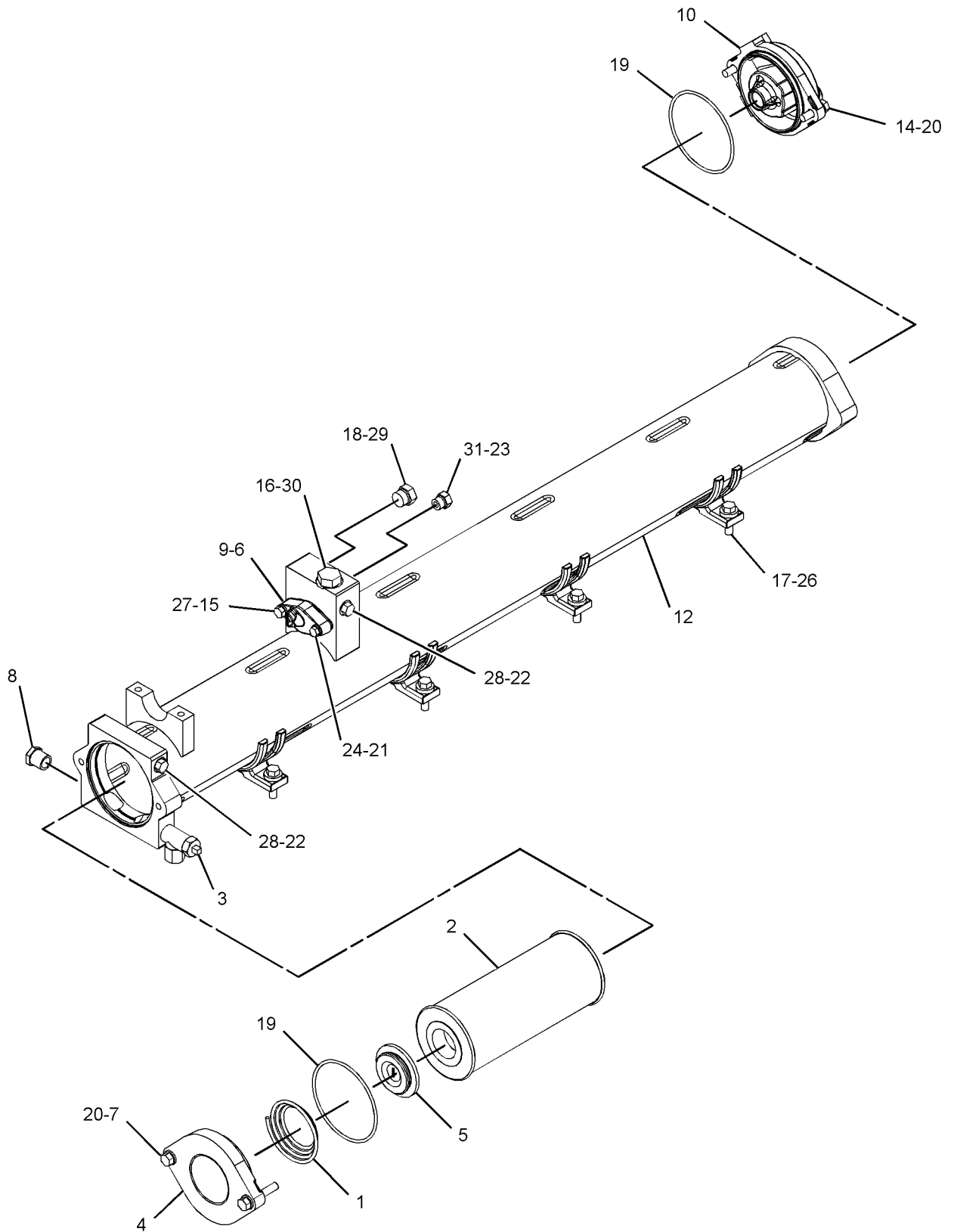
NOTE	REF NO	GRAPHIC REF	PART NUMBER	QTY	PART NAME						SEE PAGE
					1	2	3	4	5	6 (PRODUCT LEVEL)	
	1	1	1N-2895	1	SPRING						
	2	1	1R-0756	5	FILTER ELEMENT-FUEL (ADVANCED EFFICIENCY)						
	3	1	2S-5100	1	VALVE-MANUAL						
	4	1	2W-9300	1	COVER-FILTER HOUSING						
	5	1	6I-3754	1	RETAINER-FILTER						
	6	1	6N-4414	1	COVER-FILTER BASE						
	7	1	7F-0192	2	BOLT (3/8-16X2-IN)						
	8	1	8T-6766	1	PLUG-PIPE						
	9	1	9Y-8389	1	GASKET (PRIMING PUMP/COVER)						
C	10	1	267-9689	1	COVER-FILTER HOUSING						
	12	1	278-1776	1	HOUSING AS-FUEL FILTER						
	14	1	0S-1588	2	BOLT (3/8-16X1.25-IN)						
	15	1	1B-7182	1	BOLT (5/16-18X1.25-IN)						
	16	1	6V-4589	1	SEAL-O-RING						
	17	1	3B-1915	10	BOLT (3/8-16X1.375-IN)						
	18	1	8L-2786	1	SEAL-O-RING						
	19	1	5D-5957	2	SEAL-O-RING						
C	20	1	5M-2894	4	WASHER-HARD (10.2X18.5X2.5-MM THK)						
	21	1	5P-0537	1	WASHER-HARD (7.2X14.5X2-MM THK)						
	22	1	6V-5048	3	SEAL-O-RING						
	23	1	6V-5049	1	SEAL-O-RING						
	24	1	7B-2742	1	BOLT (1/4-20X1.25-IN)						
	26	1	8M-9024	8	WASHER-HARD (10.2X22.5X5-MM THK)						
	27	1	9M-1974	1	WASHER-HARD (8.8X16X2-MM THK)						
	28	1	9S-4182	3	PLUG (7/16-20-THD)						
	29	1	9S-4185	1	PLUG (3/4-16-THD)						
	30	1	9S-4190	1	PLUG-O-RING (7/8-14-THD)						
	31	1	9S-4191	1	PLUG (9/16-18-THD)						

C - CHANGE FROM PREVIOUS TYPE

FUEL SYSTEM

112-4922 FILTER GP-FUEL (contd.)

i04724270



GRAPHIC #1

<END>

g02110944

FUEL SYSTEM

2W-6325 FILTER GP-FUEL

**CANNOT BE USED WITH RADIATOR THAT COULD CAUSE AIR MOVEMENT IN THE AREA OF THE DUPLEX FUEL FILTER SYSTEM, 7W-1450-PAGE: 2099
AN ATTACHMENT**

SMCS-1261

i00883562

NOTE	REF NO	GRAPHIC REF	PART NUMBER	QTY	PART NAME						SEE PAGE
					1	2	3	4	5	6 (PRODUCT LEVEL)	
C	1	1	0S-1588	2	BOLT (3/8-16X1.25-IN)						
	2	1	5M-2894	8	WASHER-HARD (10.2X18.5X2.5-MM THK)						
	3	1	4J-4382	2	PLUG-PIPE						
	4	1	9S-4182	7	PLUG (7/16-20-THD)						
	5	1	6V-5048	9	SEAL-O-RING						
	6	1	0L-1351	2	BOLT (3/8-16X0.875-IN)						
	7	1	2W-6289	1	TUBE AS						
	8	1	2W-6288	1	COVER-FILTER HOUSING						
	9	1	2W-6293	1	TUBE AS						
	10	1	030-7949	4	ELBOW						
	11	1	6V-4589	6	SEAL-O-RING						
	12	1	2S-5100	2	VALVE-MANUAL						
C	13	1	2W-9300	2	COVER-FILTER HOUSING						
	14	1	2W-6291	1	TUBE AS						
	15	1	003-8581	1	TEE-UNION						
	16	1	2W-6667	1	TUBE AS						
	17	1	2W-6292	1	TUBE AS						
	18	1	8L-6557	1	CONNECTOR						
	19	1	2W-6672	1	VALVE AS						
	20	1	1P-3861	1	CONNECTOR						
	21	1	2W-6326	1	PLATE-INSTRUCTION (FUEL)						
		1	2N-3479	4	SCREW (10-24X0.5-IN)						
	22	1	7D-4903	1	ADAPTER						
	23	1	030-7946	1	ELBOW						
	24	1	2W-6290	1	TUBE AS						
	25	1	6M-7476	1	ELBOW						
	26	1	9S-4190	1	PLUG-O-RING (7/8-14-THD)						
	27	1	9S-4191	1	PLUG (9/16-18-THD)						
		1	6V-5049	1	SEAL-O-RING						
	28	1	9N-1752	1	SPRING						
		1	4B-9782	1	BALL						
29	1	4W-5137	2	FILM-WARNING (DUPLEX OIL, FUEL FILTER)							
C	30	1	7F-0192	4	BOLT (3/8-16X2-IN)						
	31	2	1N-2895	2	SPRING						
C	32	2	2W-9301	2	RETAINER-FILTER						
	33	2	9S-4182	2	PLUG (7/16-20-THD)						
		2	6V-5048	2	SEAL-O-RING						
	34	2	4W-8918	1	HOUSING AS-FUEL						
	35	2	5D-5957	4	SEAL-O-RING						
	36	2	2W-6287	2	VALVE AS-CHECK						
	37	2	6V-4589	2	SEAL-O-RING						
	38	2	1W-2744	1	HOUSING AS-FUEL FILTER						
	39	2	0S-1591	2	BOLT (3/8-16X1.5-IN)						
		2	1D-4717	2	NUT (3/8-16-THD)						
	40	2	5M-2894	14	WASHER-HARD (10.2X18.5X2.5-MM THK)						
	41	2	8N-9850	7	FILTER ELEMENT-FUEL						

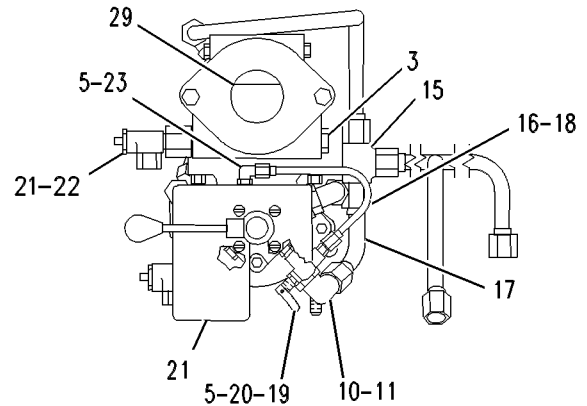
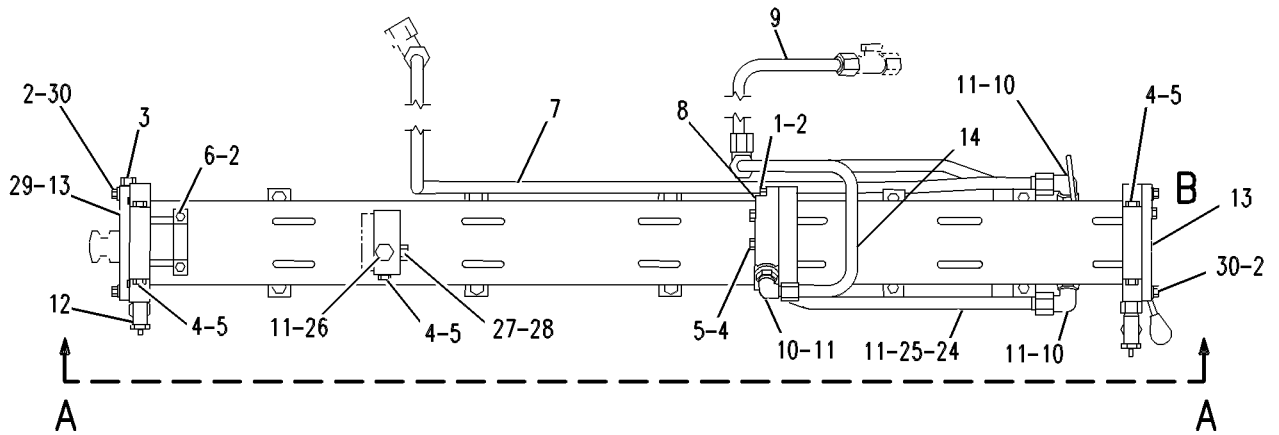
FUEL SYSTEM

2W-6325 **FILTER GP-FUEL (contd.)**

i00883562

NOTE	REF NO	GRAPHIC REF	PART NUMBER	QTY	PART NAME						SEE PAGE
					1	2	3	4	5	6 (PRODUCT LEVEL)	
	42	2	9S-7381	4	BOLT-SOCKET HEAD (5/16-18X2-IN)						
	43	2	2W-6286	1	VALVE AS-CONTROL (DUPLEX FUEL FILTER)						
	44	2	061-8639	4	SEAL-O-RING						
	45	2	4W-4444	1	ADAPTER-VALVE						
	46	2	0S-1594	2	BOLT (3/8-16X1-IN)						
	47	2	0S-1588	10	BOLT (3/8-16X1.25-IN)						

C - CHANGE FROM PREVIOUS TYPE



VIEW OF
AREA B

REFER TO ALL PARTS OF THIS GROUP FOR AUXILIARY VIEWS

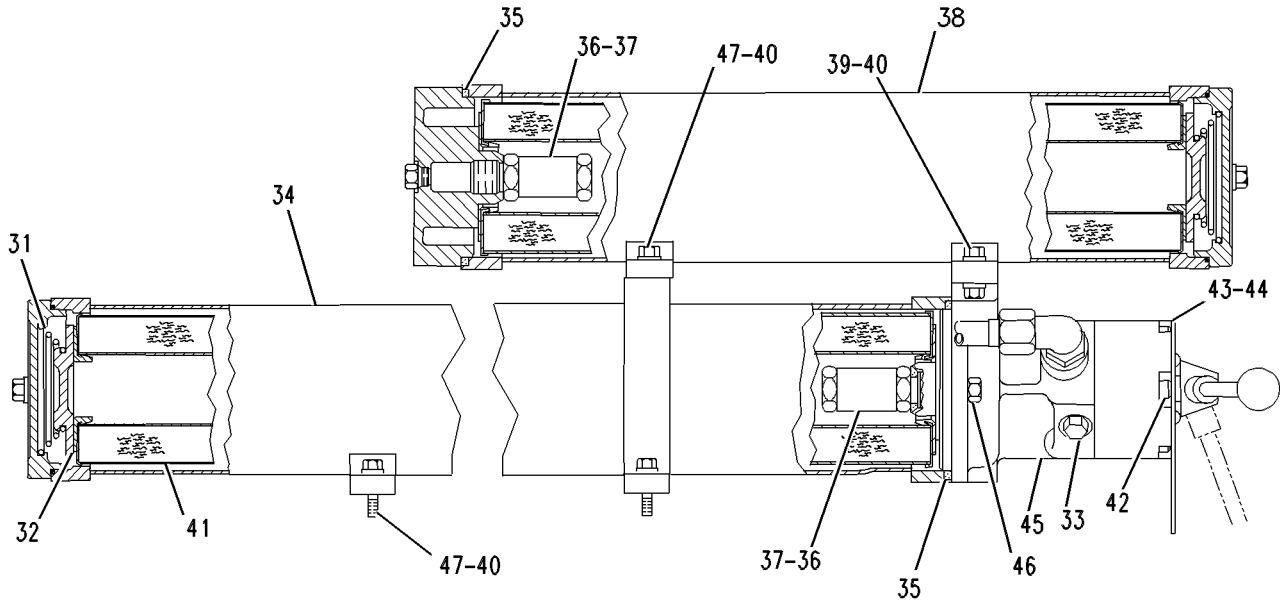
GRAPHIC #1

g00404661

FUEL SYSTEM

2W-6325 FILTER GP-FUEL (contd.)

i00883562



VIEW A-A

GRAPHIC #2

<END>

g00404662

FUEL SYSTEM

7C-2087 FILTER GP-FUEL

AN ATTACHMENT

SMCS-1261

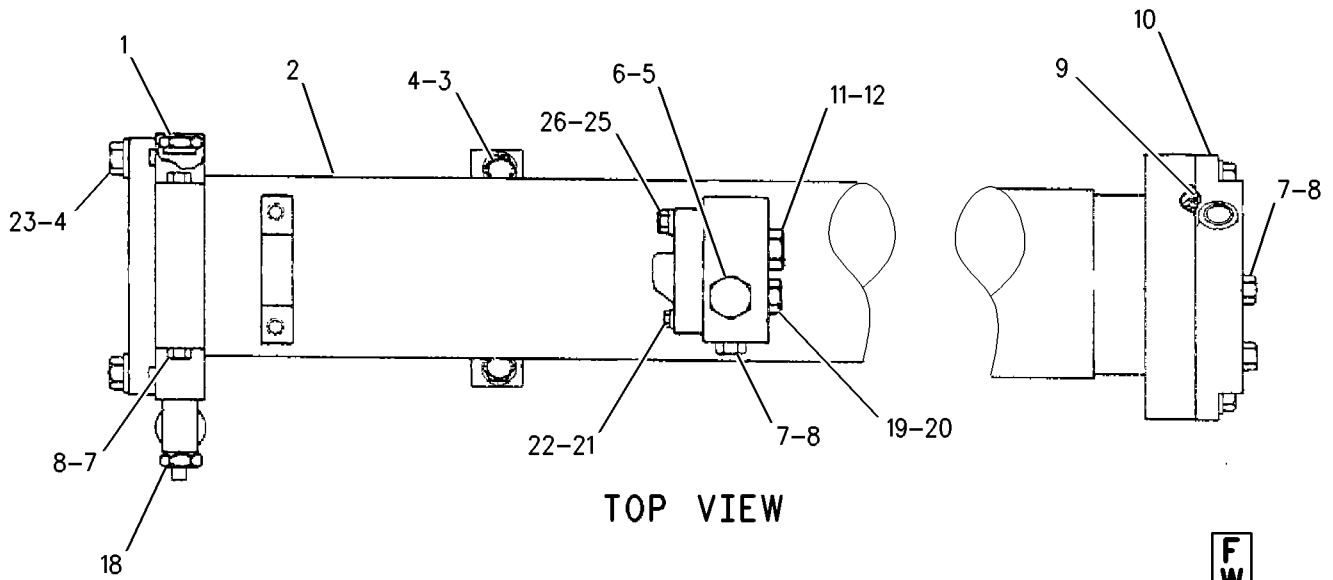
i01795008

NOTE	REF NO	GRAPHIC REF	PART NUMBER	QTY	PART NAME						SEE PAGE
					1	2	3	4	5	6 (PRODUCT LEVEL)	
	1	1	4J-4382	1	PLUG-PIPE						
	2	1	4W-8918	1	HOUSING AS-FUEL						
	3	1	0S-1588	10	BOLT (3/8-16X1.25-IN)						
	4	1	5M-2894	12	WASHER-HARD (10.2X18.5X2.5-MM THK)						
	5	1	9S-4190	1	PLUG-O-RING (7/8-14-THD)						
	6	1	2M-9780	1	SEAL-O-RING						
	7	1	9S-4182	5	PLUG (7/16-20-THD)						
	8	1	6V-5048	5	SEAL-O-RING						
	9	1	5D-5957	2	SEAL-O-RING						
	10	1	2W-6288	1	COVER-FILTER HOUSING						
	11	1	3K-0360	1	SEAL-O-RING						
	12	1	9S-4185	1	PLUG (3/4-16-THD)						
	13	1	8N-9850	5	FILTER ELEMENT-FUEL						
	14	1	2W-9300	1	COVER-FILTER HOUSING						
	15	1	1N-2895	1	SPRING						
	16	1	2W-9301	1	RETAINER-FILTER						
	17	1	6N-4414	1	COVER-FILTER BASE						
	18	1	2S-5100	1	VALVE-MANUAL						
	19	1	9S-4191	1	PLUG (9/16-18-THD)						
	20	1	6V-5049	1	SEAL-O-RING						
	21	1	7B-2742	1	BOLT (1/4-20X1.25-IN)						
	22	1	5P-0537	1	WASHER-HARD (7.2X14.5X2-MM THK)						
	23	1	7F-0192	2	BOLT (3/8-16X2-IN)						
	24	1	1P-0436	1	GASKET (FUEL PRIMING PUMP)						
	25	1	1B-2790	1	BOLT (5/16-18X1.375-IN)						
	26	1	9M-1974	1	WASHER-HARD (8.8X16X2-MM THK)						

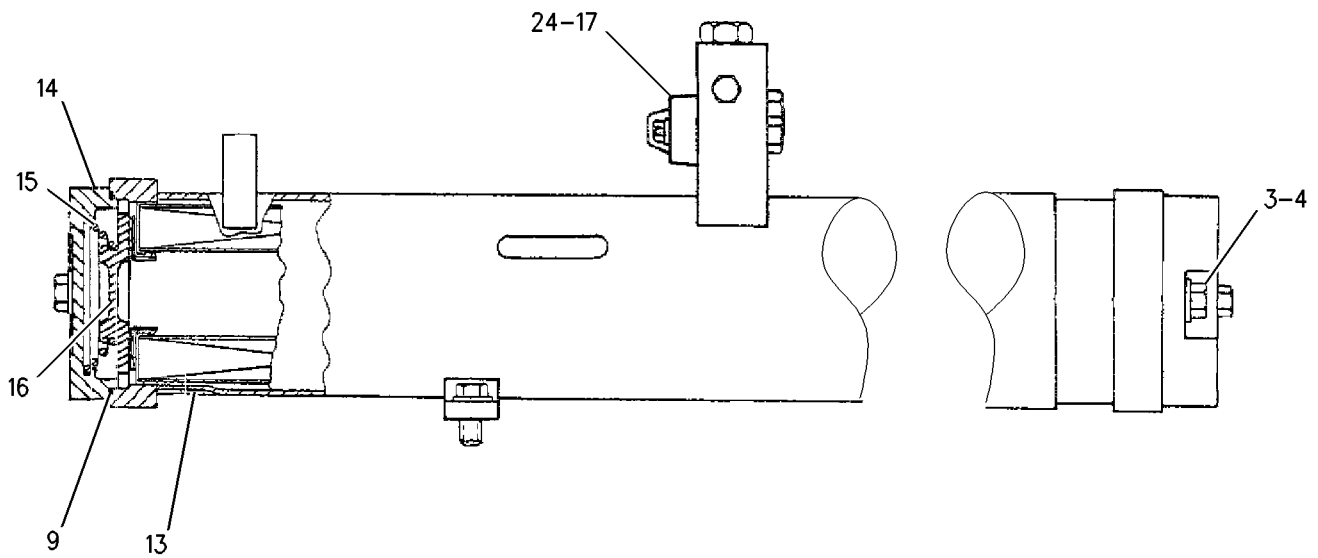
FUEL SYSTEM

7C-2087 FILTER GP-FUEL (contd.)

i01795008



TOP VIEW



FRONT VIEW

GRAPHIC #1

<END>

g00920883

FUEL SYSTEM

7W-0709 FILTER GP-FUEL

RESIDUAL

FOR USAGE REFER TO CHART 7W-1450-PAGE: 2099
AN ATTACHMENT

SMCS-1261

i00651708

NOTE	PART NUMBER	QTY	PART NAME						SEE PAGE
			1	2	3	4	5	6 (PRODUCT LEVEL)	
	7W-0733	7	FILTER ELEMENT-FUEL						
<END>									

FUEL SYSTEM

7W-9741 FILTER GP-FUEL-RH

S/N: 50Y647-663; 66Z190

SMCS - 1261

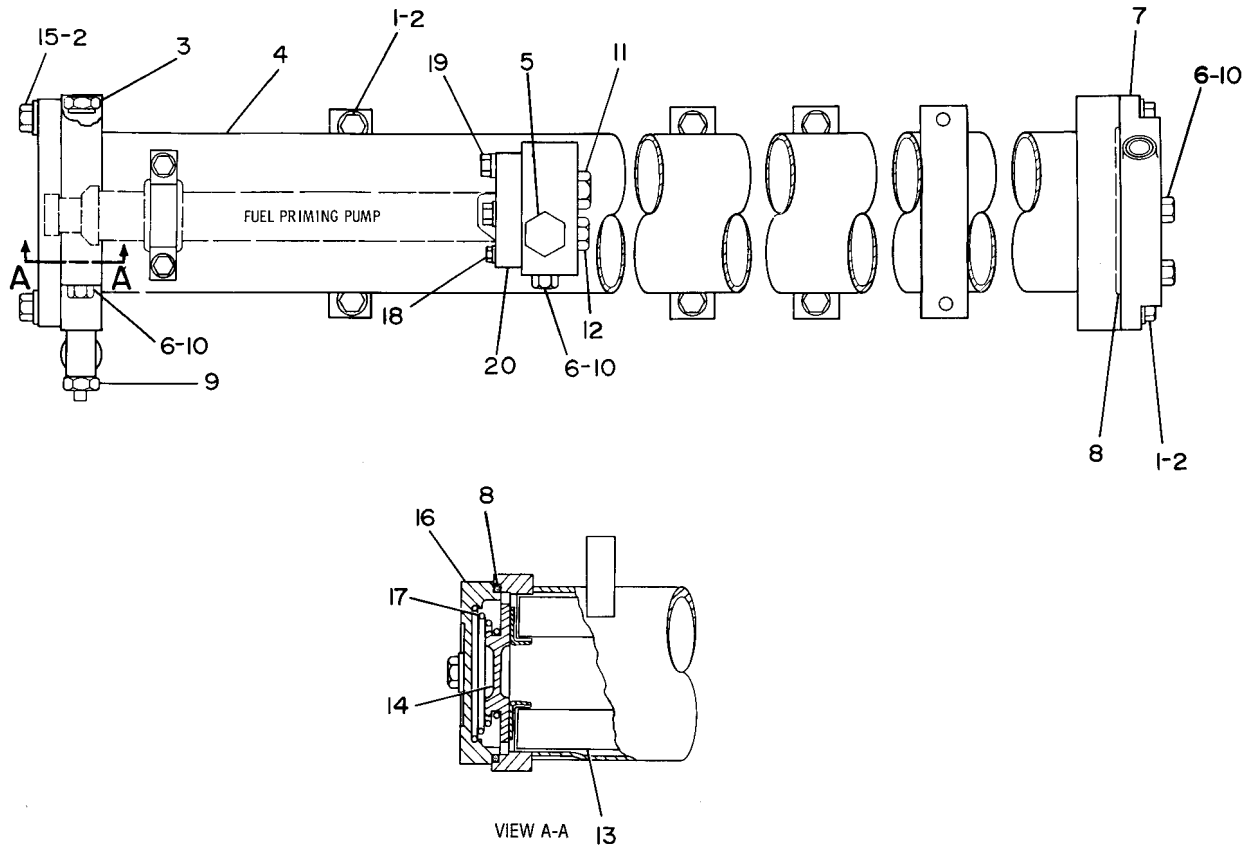
i04030001

NOTE	REF NO	GRAPHIC REF	PART NUMBER	QTY	PART NAME						SEE PAGE
					1	2	3	4	5	6 (PRODUCT LEVEL)	
	1	1	0S-1588	10	BOLT (3/8-16X1.25-IN)						
	2	1	5M-2894	12	WASHER-HARD (10.2X18.5X2.5-MM THK)						
	3	1	4J-4382	1	PLUG-PIPE						
	4	1	4W-8918	1	HOUSING AS-FUEL						
	5	1	9S-4190	1	PLUG-O-RING (7/8-14-THD)						
		1	2M-9780	1	SEAL-O-RING						
	6	1	9S-4182	5	PLUG (7/16-20-THD)						
	7	1	2W-6288	1	COVER-FILTER HOUSING						
	8	1	5D-5957	2	SEAL-O-RING						
	9	1	2S-5100	1	VALVE-MANUAL						
	10	1	6V-5048	5	SEAL-O-RING						
	11	1	9S-4185	1	PLUG (3/4-16-THD)						
		1	3K-0360	1	SEAL-O-RING						
	12	1	9S-4191	1	PLUG (9/16-18-THD)						
		1	6V-5049	1	SEAL-O-RING						
	13	1	8N-9850	5	FILTER ELEMENT-FUEL						
	14	1	2W-9301	1	RETAINER-FILTER						
	15	1	7F-0192	2	BOLT (3/8-16X2-IN)						
	16	1	2W-9300	1	COVER-FILTER HOUSING						
	17	1	1N-2895	1	SPRING						
	18	1	7B-2742	1	BOLT (1/4-20X1.25-IN)						
		1	5P-0537	1	WASHER-HARD (7.2X14.5X2-MM THK)						
	19	1	1B-2790	1	BOLT (5/16-18X1.375-IN)						
		1	9M-1974	1	WASHER-HARD (8.8X16X2-MM THK)						
	20	1	6N-4414	1	COVER-FILTER BASE						
		1	1P-0436	1	GASKET (FUEL PRIMING PUMP)						

FUEL SYSTEM

7W-9741 FILTER GP-FUEL (contd.)

i04030001



GRAPHIC #1

<END>

g00172107

FUEL SYSTEM

7W-9741 FILTER GP-FUEL-RH

S/N: 50Y664-1304; 66Z191-578

SMCS - 1261

i04030002

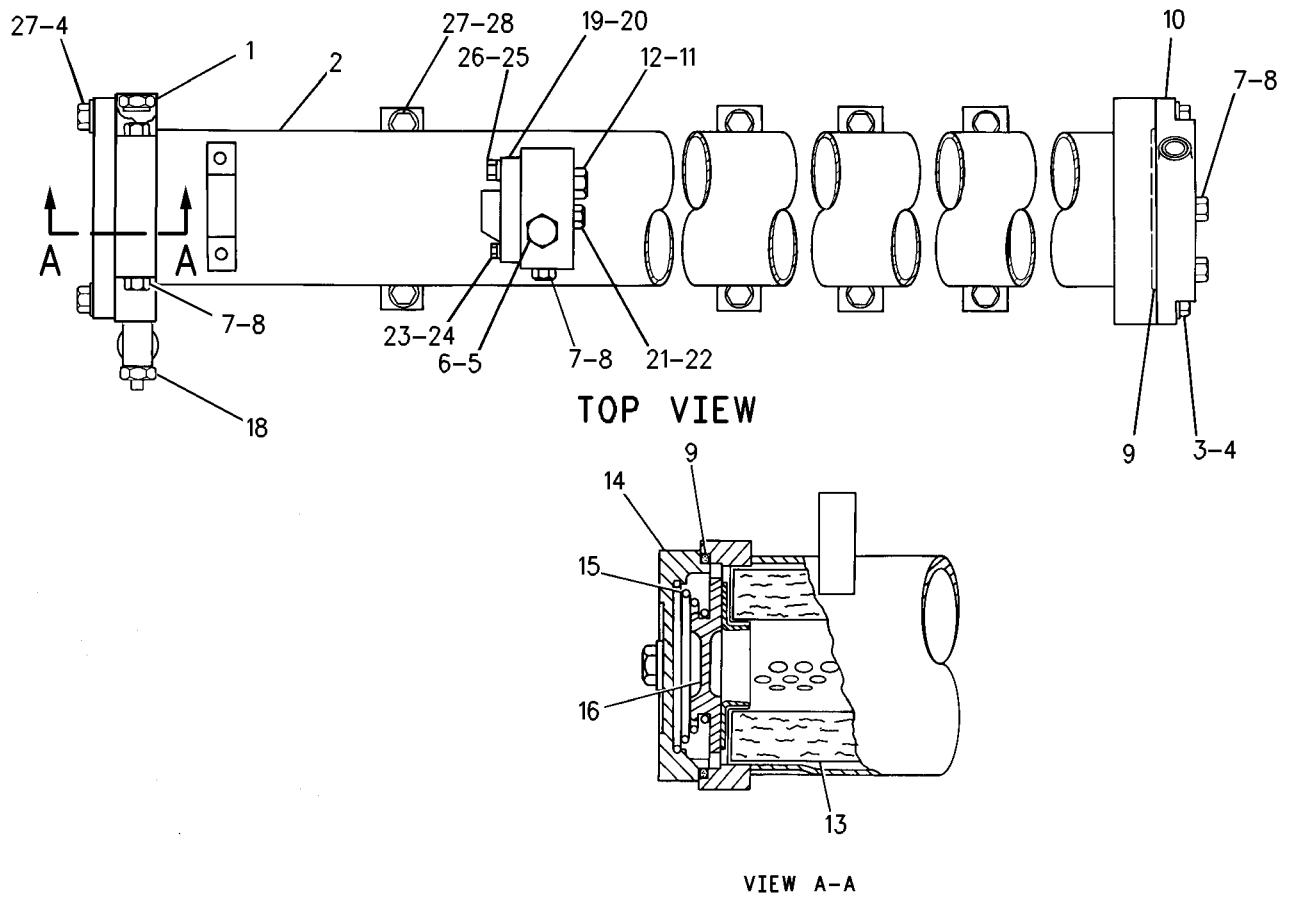
NOTE	REF NO	GRAPHIC REF	PART NUMBER	QTY	PART NAME						SEE PAGE
					1	2	3	4	5	6 (PRODUCT LEVEL)	
	1	1	8T-6766	1	PLUG-PIPE						
C	2	1	169-8612	1	HOUSING AS						
	3	1	0S-1588	2	BOLT (3/8-16X1.25-IN)						
	4	1	5M-2894	4	WASHER-HARD (10.2X18.5X2.5-MM THK)						
	5	1	9S-4190	1	PLUG-O-RING (7/8-14-THD)						
	6	1	2M-9780	1	SEAL-O-RING						
	7	1	9S-4182	5	PLUG (7/16-20-THD)						
	8	1	6V-5048	5	SEAL-O-RING						
	9	1	5D-5957	2	SEAL-O-RING						
	10	1	2W-6288	1	COVER-FILTER HOUSING						
	11	1	3K-0360	1	SEAL-O-RING						
	12	1	9S-4185	1	PLUG (3/4-16-THD)						
	13	1	1R-0756	5	FILTER ELEMENT-FUEL (ADVANCED EFFICIENCY)						
	14	1	2W-9300	1	COVER-FILTER HOUSING						
	15	1	1N-2895	1	SPRING						
	16	1	6I-3754	1	RETAINER-FILTER						
	18	1	2S-5100	1	VALVE-MANUAL						
	19	1	6N-4414	1	COVER-FILTER BASE						
	20	1	9Y-8389	1	GASKET (PRIMING PUMP/COVER)						
	21	1	6V-5049	1	SEAL-O-RING						
	22	1	9S-4191	1	PLUG (9/16-18-THD)						
	23	1	7B-2742	1	BOLT (1/4-20X1.25-IN)						
	24	1	5P-0537	1	WASHER-HARD (7.2X14.5X2-MM THK)						
	25	1	1B-2790	1	BOLT (5/16-18X1.375-IN)						
	26	1	9M-1974	1	WASHER-HARD (8.8X16X2-MM THK)						
	27	1	3B-1915	10	BOLT (3/8-16X1.375-IN)						
	28	1	8M-9024	8	WASHER-HARD (10.2X22.5X5-MM THK)						

C - CHANGE FROM PREVIOUS TYPE

FUEL SYSTEM

7W-9741 FILTER GP-FUEL (contd.)

i04030002



GRAPHIC #1

<END>

g00901873

FUEL SYSTEM

7W-9741 FILTER GP-FUEL-RH

S/N: 50Y647-1304

PART OF 357-0858 ENGINE AR-COMplete

SMCS-1261

i04907931

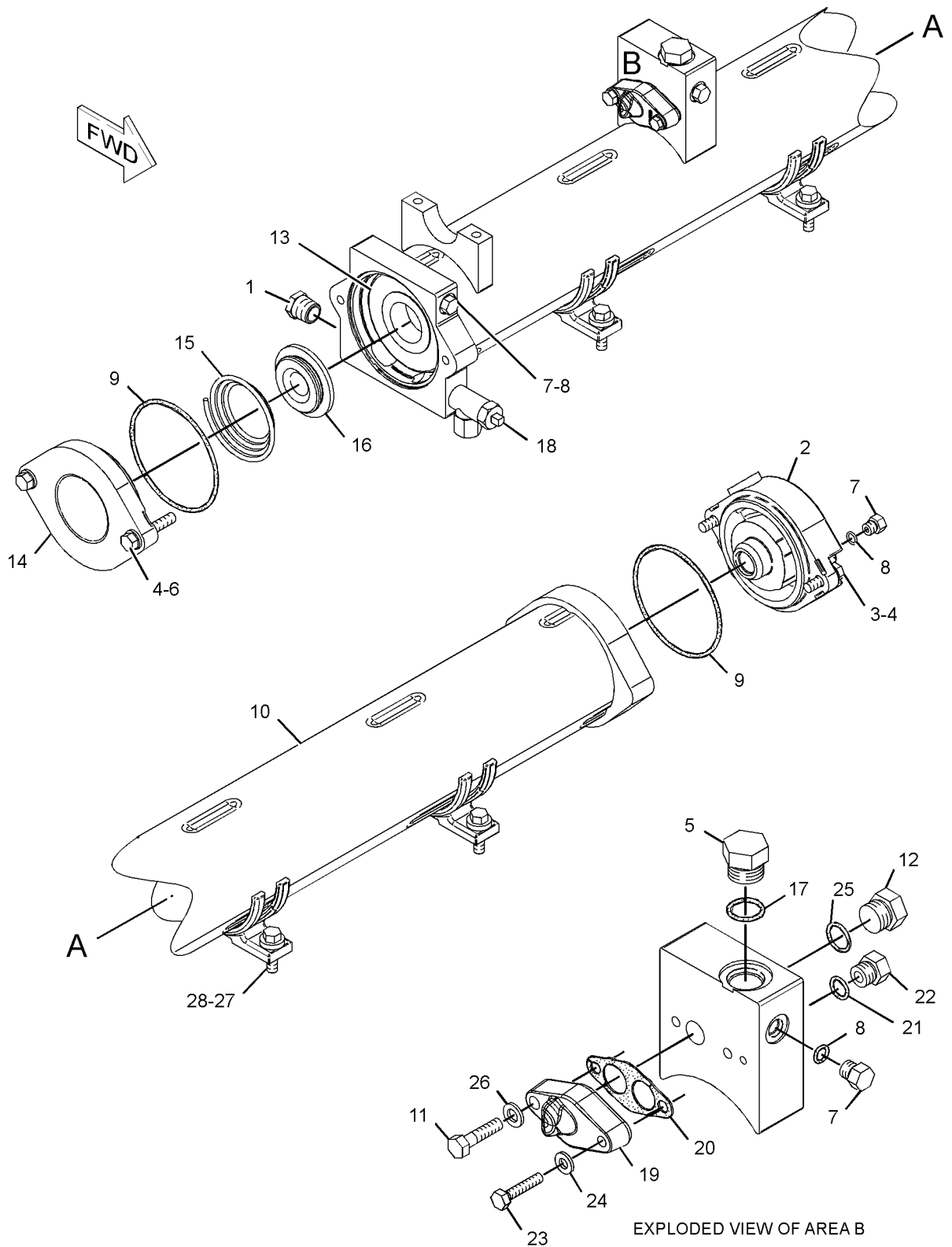
NOTE	REF NO	GRAPHIC REF	PART NUMBER	QTY	PART NAME						SEE PAGE
					1	2	3	4	5	6 (PRODUCT LEVEL)	
	1	1	8T-6766	1	PLUG-PIPE						
	2	1	267-9689	1	COVER-FILTER HOUSING						
	3	1	0S-1588	2	BOLT (3/8-16X1.25-IN)						
	4	1	5M-2894	4	WASHER-HARD (10.2X18.5X2.5-MM THK)						
	5	1	9S-4190	1	PLUG-O-RING (7/8-14-THD)						
C	6	1	7F-0192	2	BOLT (3/8-16X2-IN)						
	7	1	9S-4182	5	PLUG (7/16-20-THD)						
	8	1	6V-5048	5	SEAL-O-RING						
	9	1	5D-5957	2	SEAL-O-RING						
	10	1	278-1776	1	HOUSING AS-FUEL FILTER						
C	11	1	1B-7182	1	BOLT (5/16-18X1.25-IN)						
	12	1	9S-4185	1	PLUG (3/4-16-THD)						
	13	1	1R-0756	5	FILTER ELEMENT-FUEL (ADVANCED EFFICIENCY)						
	14	1	2W-9300	1	COVER-FILTER HOUSING						
	15	1	1N-2895	1	SPRING						
	16	1	6I-3754	1	RETAINER-FILTER						
	17	1	6V-4589	1	SEAL-O-RING						
	18	1	2S-5100	1	VALVE-MANUAL						
	19	1	6N-4414	1	COVER-FILTER BASE						
	20	1	9Y-8389	1	GASKET (PRIMING PUMP/COVER)						
	21	1	6V-5049	1	SEAL-O-RING						
	22	1	9S-4191	1	PLUG (9/16-18-THD)						
	23	1	7B-2742	1	BOLT (1/4-20X1.25-IN)						
	24	1	5P-0537	1	WASHER-HARD (7.2X14.5X2-MM THK)						
	25	1	8L-2786	1	SEAL-O-RING						
	26	1	9M-1974	1	WASHER-HARD (8.8X16X2-MM THK)						
C	27	1	3B-1915	8	BOLT (3/8-16X1.375-IN)						
	28	1	8M-9024	8	WASHER-HARD (10.2X22.5X5-MM THK)						

C - CHANGE FROM PREVIOUS TYPE

FUEL SYSTEM

7W-9741 FILTER GP-FUEL (contd.)

i04907931



GRAPHIC #1

<END>

g01228338

FUEL SYSTEM

7W-9742 FILTER GP-FUEL-LH AN ATTACHMENT

SMCS - 1261

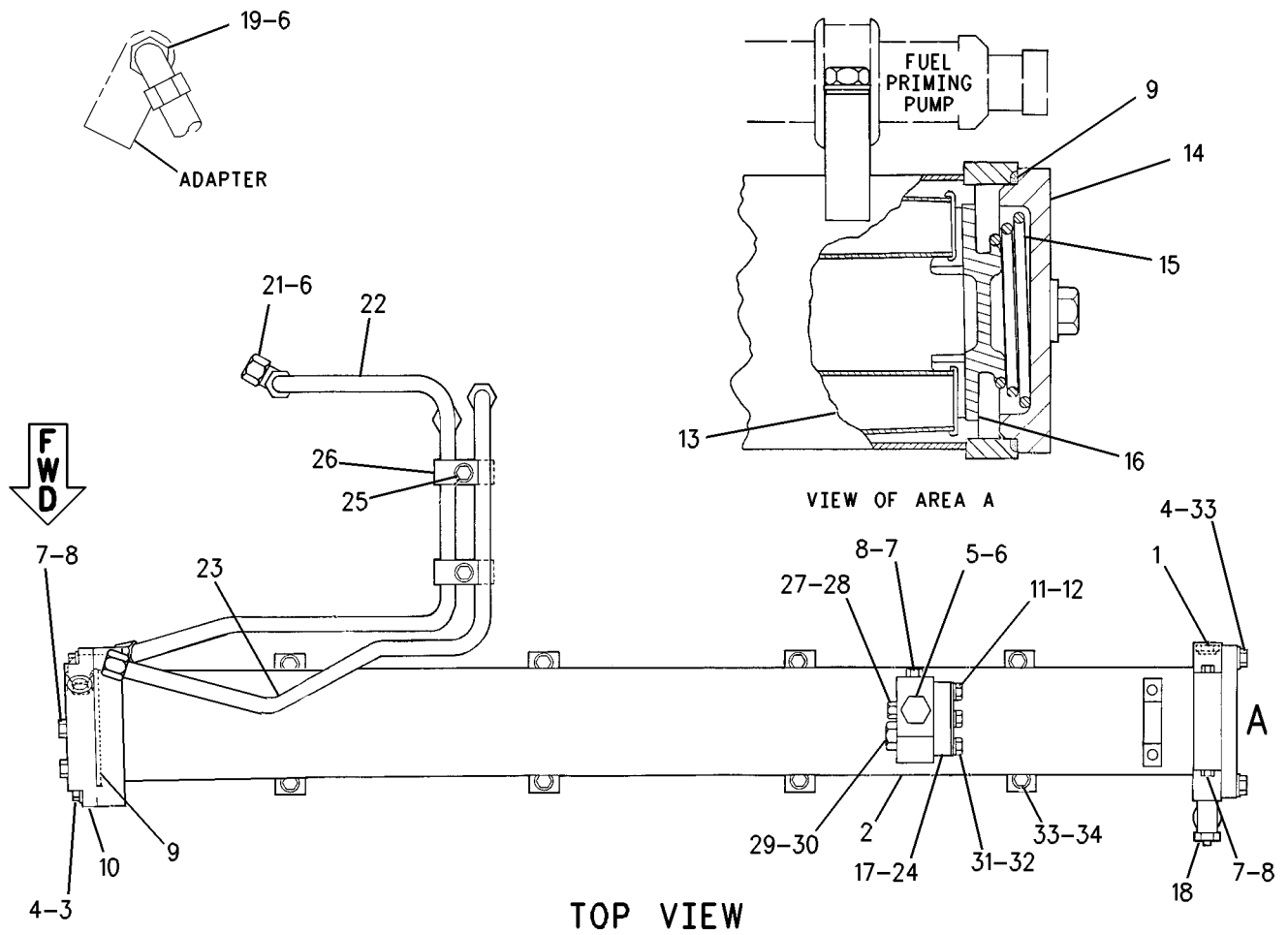
i04418404

NOTE	REF NO	GRAPHIC REF	PART NUMBER	QTY	PART NAME						SEE PAGE
					1	2	3	4	5	6	
	1	1	8T-6766	1	PLUG-PIPE						
	2	1	169-8612	1	HOUSING AS						
	3	1	0S-1588	2	BOLT (3/8-16X1.25-IN)						
	4	1	5M-2894	4	WASHER-HARD (10.2X18.5X2.5-MM THK)						
	5	1	9S-4190	1	PLUG-O-RING (7/8-14-THD)						
	6	1	2M-9780	3	SEAL-O-RING						
	7	1	9S-4182	5	PLUG (7/16-20-THD)						
	8	1	6V-5048	5	SEAL-O-RING						
	9	1	5D-5957	2	SEAL-O-RING						
	10	1	2W-6288	1	COVER-FILTER HOUSING						
	11	1	7B-2742	1	BOLT (1/4-20X1.25-IN)						
	12	1	5P-0537	1	WASHER-HARD (7.2X14.5X2-MM THK)						
	13	1	1R-0756	5	FILTER ELEMENT-FUEL (ADVANCED EFFICIENCY)						
	14	1	2W-9300	1	COVER-FILTER HOUSING						
	15	1	1N-2895	1	SPRING						
	16	1	6I-3754	1	RETAINER-FILTER						
	17	1	9Y-8389	1	GASKET (PRIMING PUMP/COVER)						
	18	1	2S-5100	1	VALVE-MANUAL						
	19	1	030-7949	1	ELBOW						
	21	1	031-4136	1	TEE-FLARED						
	22	1	1W-7548	1	TUBE AS						
	23	1	8N-6297	1	TUBE AS						
	24	1	6N-4414	1	COVER-FILTER BASE						
	25	1	0S-1608	2	BOLT (3/8-16X3.75-IN)						
	26	1	4P-0692	4	CLAMP AS						
					(EACH INCLUDES)						
		1	108-1434	1	GROMMET						
	27	1	9S-4191	1	PLUG (9/16-18-THD)						
	28	1	6V-5049	1	SEAL-O-RING						
	29	1	3K-0360	1	SEAL-O-RING						
	30	1	9S-4185	1	PLUG (3/4-16-THD)						
	31	1	1B-2790	1	BOLT (5/16-18X1.375-IN)						
	32	1	9M-1974	1	WASHER-HARD (8.8X16X2-MM THK)						
	33	1	3B-1915	10	BOLT (3/8-16X1.375-IN)						
	34	1	8M-9024	8	WASHER-HARD (10.2X22.5X5-MM THK)						

FUEL SYSTEM

7W-9742 FILTER GP-FUEL (contd.)

i04418404



GRAPHIC #1

<END>

g00994880

FUEL SYSTEM

7W-9743 FILTER GP-FUEL-DUPLEX AN ATTACHMENT

SMCS-1261

i03293352

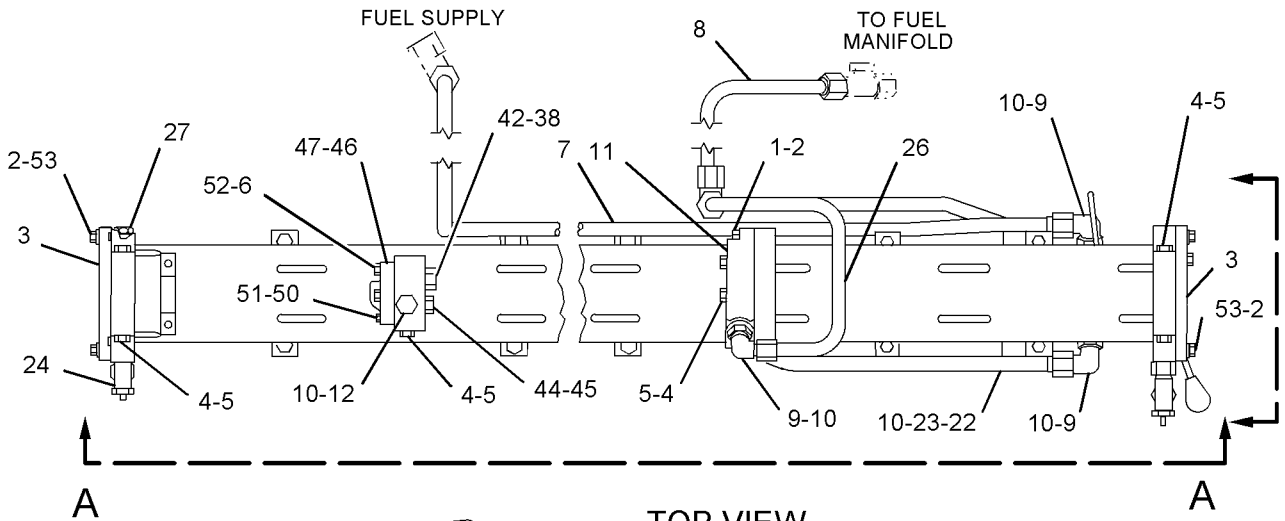
NOTE	REF NO	GRAPHIC REF	PART NUMBER	QTY	PART NAME						SEE PAGE
					1	2	3	4	5	6 (PRODUCT LEVEL)	
	1	1,2	0S-1588	4	BOLT (3/8-16X1.25-IN)						
	2	1,2	5M-2894	12	WASHER-HARD (10.2X18.5X2.5-MM THK)						
	3	1	2W-9300	2	COVER-FILTER HOUSING						
	4	1,2	9S-4182	9	PLUG (7/16-20-THD)						
	5	1,2	6V-5048	11	SEAL-O-RING						
	6	1	9M-1974	1	WASHER-HARD (8.8X16X2-MM THK)						
	7	1	2W-6289	1	TUBE AS						
	8	1	2W-6293	1	TUBE AS						
	9	1	030-7949	4	ELBOW						
	10	1,2	6V-4589	8	SEAL-O-RING						
	11	1	2W-6288	1	COVER-FILTER HOUSING						
	12	1	9S-4190	1	PLUG-O-RING (7/8-14-THD)						
	13	2	169-8614	1	HOUSING AS (FUEL FILTER)						
	14	2	0S-1591	2	BOLT (3/8-16X1.5-IN)						
	15	2	9S-8752	2	NUT-FULL (3/8-16-THD)						
	16	2	169-8613	1	HOUSING AS (AUXILIARY FUEL FILTER)						
	17	2	9S-7381	4	BOLT-SOCKET HEAD (5/16-18X2-IN)						
	18	2	2W-6286	1	VALVE AS-CONTROL (DUPLEX FUEL FILTER)						
		1	6I-0325	1	HANDLE						
	19	2	061-8639	4	SEAL-O-RING						
	20	2	4W-4444	1	ADAPTER-VALVE						
	21	2	0S-1594	2	BOLT (3/8-16X1-IN)						
	22	1	2W-6290	1	TUBE AS						
	23	1	6M-7476	1	ELBOW						
	24	1	2S-5100	2	VALVE-MANUAL						
	25	1	030-7946	1	ELBOW						
	26	1	4P-1931	1	TUBE AS						
	27	1	8T-6766	2	PLUG-PIPE						
	28	1	003-8581	1	TEE-UNION						
	29	1	2W-6667	1	TUBE AS						
	30	1	2W-6292	1	TUBE AS						
	31	1	8L-6557	1	CONNECTOR						
	32	1	2W-6672	1	VALVE AS						
	33	1	1P-3861	1	CONNECTOR						
	36	1	7D-4903	1	ADAPTER						
	37	2	5D-5957	4	SEAL-O-RING						
	38	1	3K-0360	1	SEAL-O-RING						
	39	2	6I-3754	2	RETAINER-FILTER						
	40	2	2W-6287	2	VALVE AS-CHECK						
	41	2	1R-0756	7	FILTER ELEMENT-FUEL (ADVANCED EFFICIENCY)						
	42	1	9S-4185	1	PLUG (3/4-16-THD)						
	43	2	1N-2895	2	SPRING						
	44	1	9S-4191	1	PLUG (9/16-18-THD)						
	45	1	6V-5049	1	SEAL-O-RING						
	46	1	9Y-8389	1	GASKET (FUEL FILTER)						
	47	1	6N-4414	1	COVER-FILTER BASE						
	50	1	7B-2742	1	BOLT (1/4-20X1.25-IN)						
	51	1	5P-0537	1	WASHER-HARD (7.2X14.5X2-MM THK)						

FUEL SYSTEM

7W-9743 **FILTER GP-FUEL (contd.)**

103293352

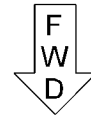
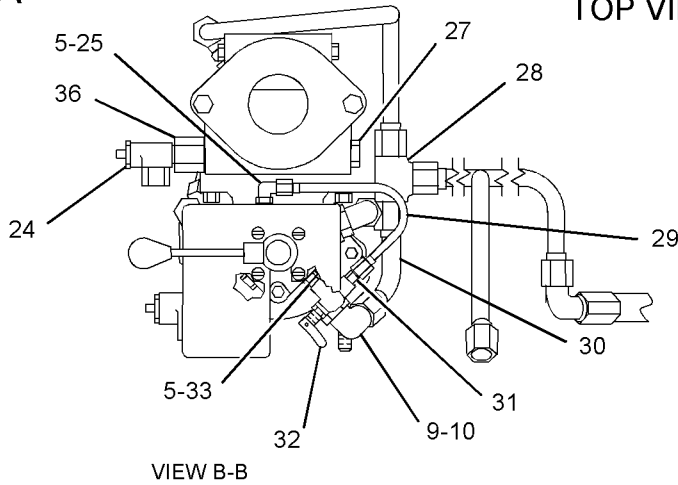
NOTE	REF NO	GRAPHIC REF	PART NUMBER	QTY	PART NAME						SEE PAGE
					1	2	3	4	5	6 (PRODUCT LEVEL)	
	52	1	1B-2790	1	BOLT (5/16-18X1.375-IN)						
	53	1,2	3B-1915	12	BOLT (3/8-16X1.375-IN)						
	54	2	8M-9024	8	WASHER-HARD (10.2X22.5X5-MM THK)						



A

TOP VIEW

A



REFER TO ALL ILLUSTRATIONS OF THIS GROUP FOR AUXILIARY VIEWS

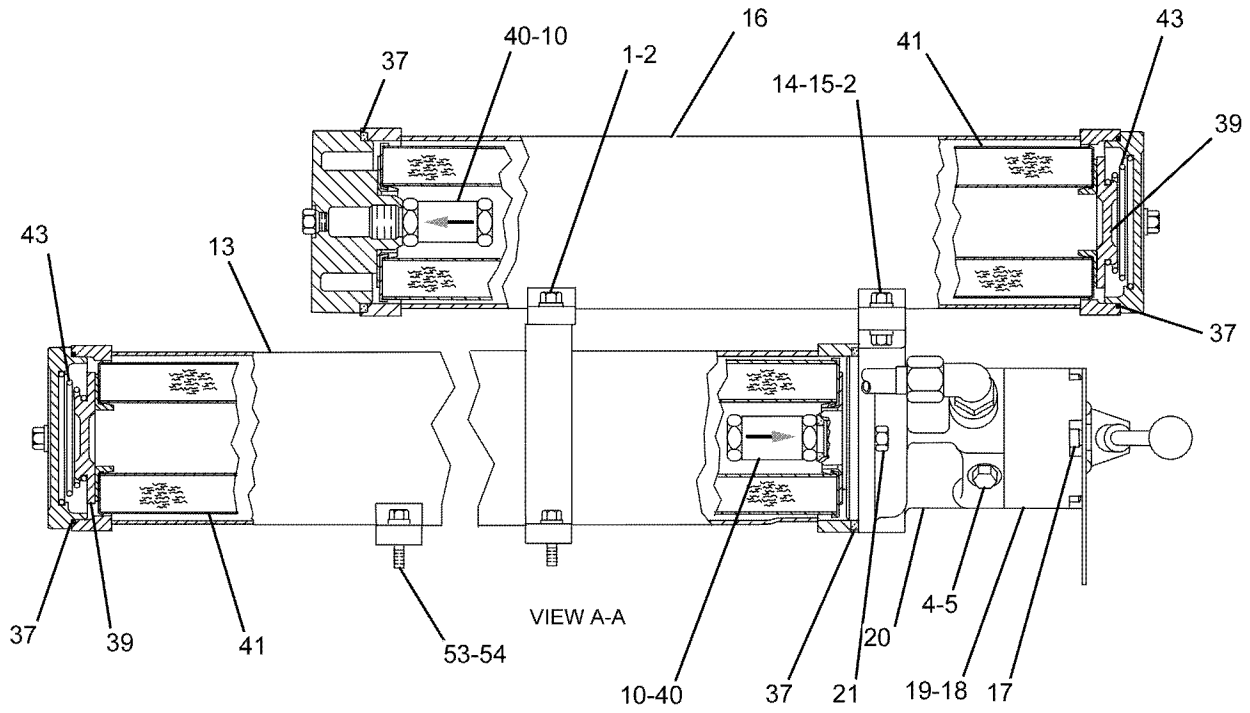
GRAPHIC #1

g01100868

FUEL SYSTEM

7W-9743 FILTER GP-FUEL (contd.)

i03293352



GRAPHIC #2

<END>

g01100869

FUEL SYSTEM

8N-6355 FILTER GP-FUEL

LH SERVICE-FRONT MOUNTED
AN ATTACHMENT

SMCS-1261

i00931475

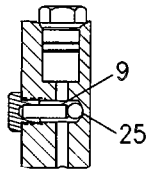
NOTE	REF NO	GRAPHIC REF	PART NUMBER	QTY	PART NAME						SEE PAGE
					1	2	3	4	5	6 (PRODUCT LEVEL)	
	1	1	031-4136	1	TEE-FLARED						
	2	1	2M-9780	2	SEAL-O-RING						
	3	1	1W-7548	1	TUBE AS						
	4	1	1N-4734	4	CLAMP						
	5	1	0S-1608	2	BOLT (3/8-16X3.75-IN)						
	6	1	8N-6297	1	TUBE AS						
	7	1	8N-6296	1	TUBE AS						
C	8	1	7F-0192	2	BOLT (3/8-16X2-IN)						
C	9	1	9N-1752	1	SPRING						
C	10	1	2W-9301	1	RETAINER-FILTER						
	11	1	8N-9850	5	FILTER ELEMENT-FUEL						
	12	1	1N-2895	1	SPRING						
C	13	1	2W-9300	1	COVER-FILTER HOUSING						
C	14	1	0S-1588	10	BOLT (3/8-16X1.25-IN)						
	15	1	5M-2894	14	WASHER-HARD (10.2X18.5X2.5-MM THK)						
	16	1	4J-4382	1	PLUG-PIPE						
	17	1	0L-1351	2	BOLT (3/8-16X0.875-IN)						
	18	1	9S-4190	1	PLUG-O-RING (7/8-14-THD)						
C	19	1	9S-4182	5	PLUG (7/16-20-THD)						
C		1	6V-5048	5	SEAL-O-RING						
	20	1	2S-5100	1	VALVE-MANUAL						
	21	1	2W-6288	1	COVER-FILTER HOUSING						
C	22	1	4W-8918	1	HOUSING AS-FUEL						
C	23	1	5D-5957	2	SEAL-O-RING						
C	24	1	9S-4191	1	PLUG (9/16-18-THD)						
C		1	6V-5049	1	SEAL-O-RING						
C	25	1	4V-9782	1	BALL						

C - CHANGE FROM PREVIOUS TYPE

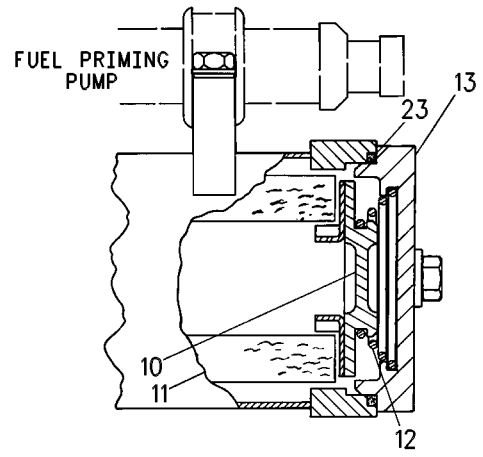
FUEL SYSTEM

8N-6355 FILTER GP-FUEL (contd.)

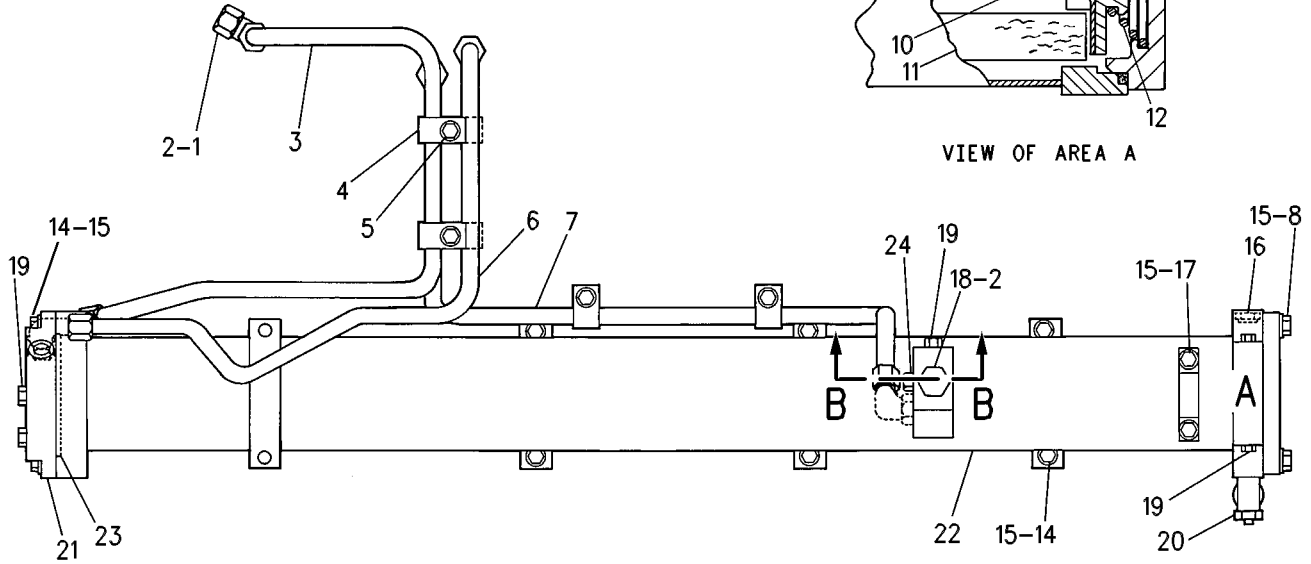
i00931475



SECTION B-B



VIEW OF AREA A



GRAPHIC #1

<END>

g00476747

FUEL SYSTEM

8N-7726 FILTER GP-FUEL

S/N: 50Y647

RH SERVICE

SMCS-1261

i01012605

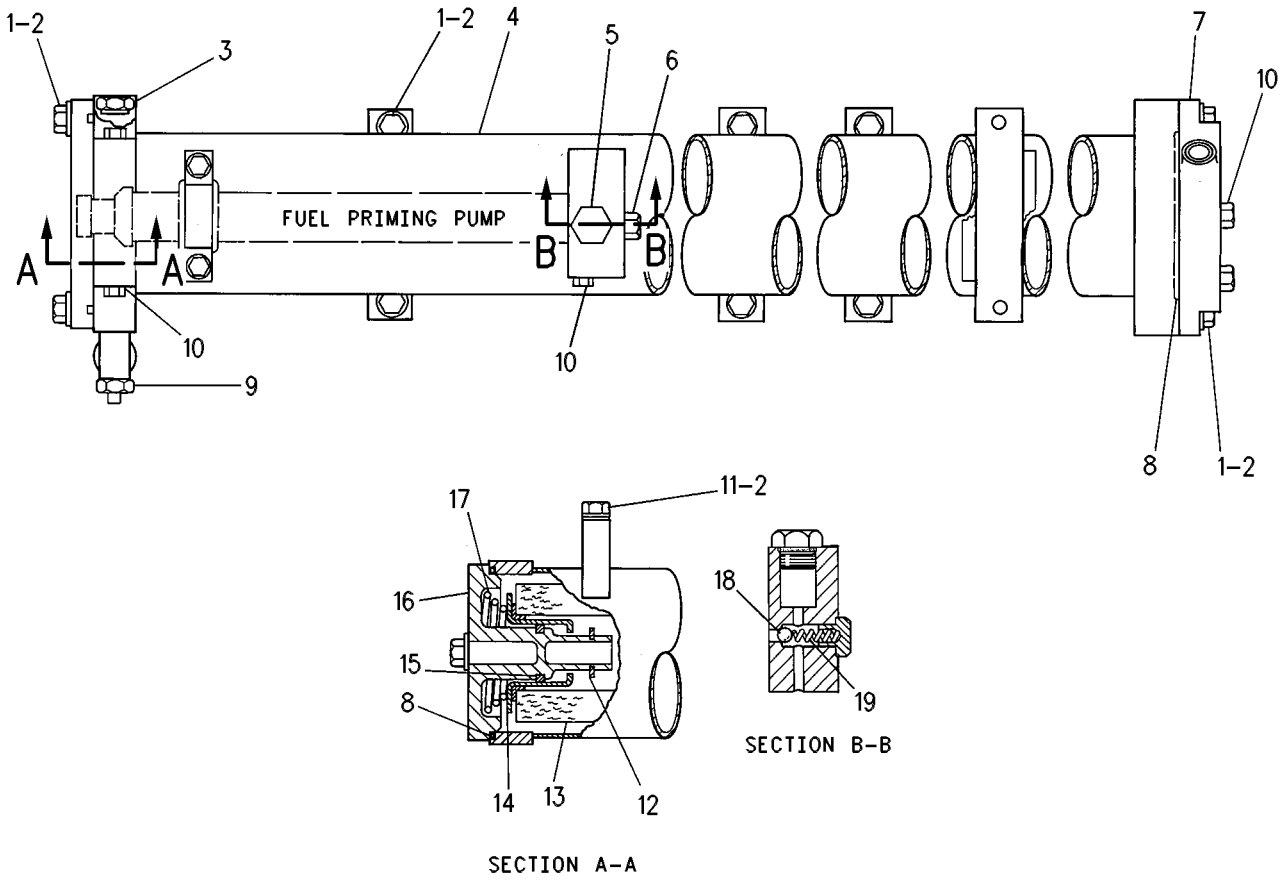
NOTE	REF NO	GRAPHIC REF	PART NUMBER	QTY	PART NAME						SEE PAGE
					1	2	3	4	5	6 (PRODUCT LEVEL)	
	1	1	0S-1588	12	BOLT (3/8-16X1.25-IN)						
	2	1	5M-2894	14	WASHER-HARD (10.2X18.5X2.5-MM THK)						
	3	1	4J-4382	1	PLUG-PIPE						
C	4	1	4W-8918	1	HOUSING AS-FUEL						
	5	1	9S-4190	1	PLUG-O-RING (7/8-14-THD)						
		1	2M-9780	1	SEAL-O-RING						
C	6	1	9S-4191	1	PLUG (9/16-18-THD)						
C		1	6V-5049	1	SEAL-O-RING						
	7	1	2W-6288	1	COVER-FILTER HOUSING						
	8	1	4M-0189	2	SEAL-O-RING						
	9	1	2S-5100	1	VALVE-MANUAL						
C	10	1	9S-4182	5	PLUG (7/16-20-THD)						
C		1	3J-7354	5	SEAL-O-RING						
	11	1	0L-1351	2	BOLT (3/8-16X0.875-IN)						
	12	1	001-5600	1	RING-SNAP						
	13	1	8N-9850	5	FILTER ELEMENT-FUEL						
	14	1	1N-2896	1	RETAINER-SPRING						
	15	1	3P-1156	1	SEAL-O-RING						
	16	1	1W-3298	1	COVER-FILTER HOUSING						
	17	1	1N-2895	1	SPRING						
C	18	1	4B-9782	1	BALL						
C	19	1	9N-1752	1	SPRING						

C - CHANGE FROM PREVIOUS TYPE

FUEL SYSTEM

8N-7726 FILTER GP-FUEL (contd.)

i01012605



GRAPHIC #1

<END>

g00519790

FUEL SYSTEM

8N-7726 FILTER GP-FUEL

S/N: 66Z190-206

RH SERVICE

SMCS-1261

i00956907

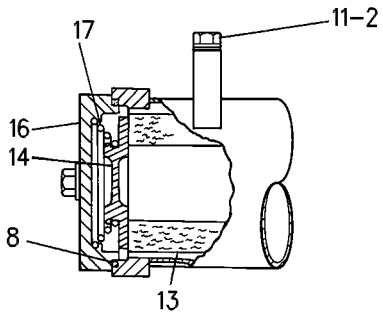
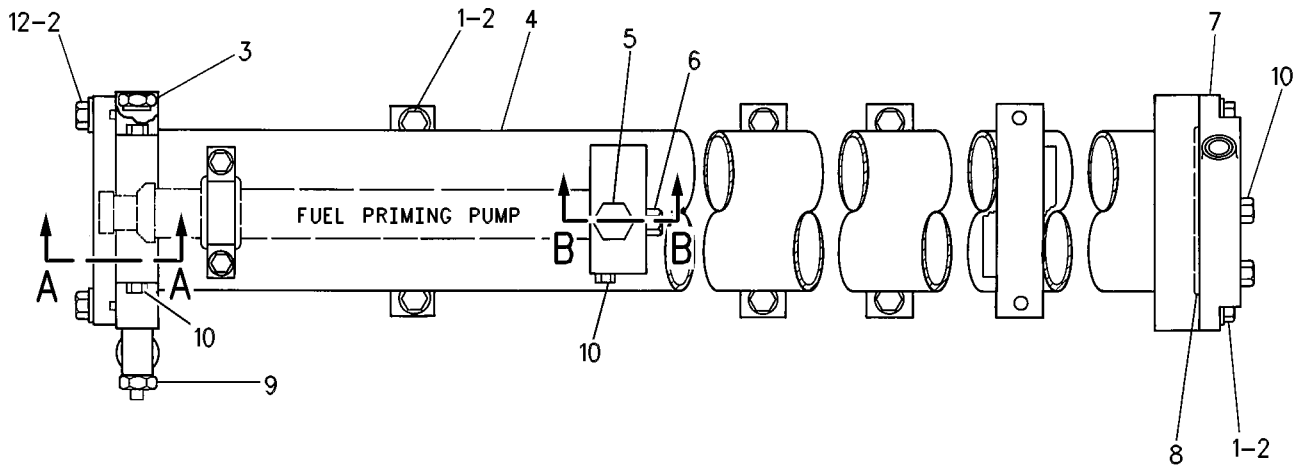
NOTE	REF NO	GRAPHIC REF	PART NUMBER	QTY	PART NAME						SEE PAGE
					1	2	3	4	5	6 (PRODUCT LEVEL)	
C	1	1	0S-1588	10	BOLT (3/8-16X1.25-IN)						
	2	1	5M-2894	14	WASHER-HARD (10.2X18.5X2.5-MM THK)						
	3	1	4J-4382	1	PLUG-PIPE						
	4	1	4W-8918	1	HOUSING AS-FUEL						
	5	1	9S-4190	1	PLUG-O-RING (7/8-14-THD)						
		1	2M-9780	1	SEAL-O-RING						
	6	1	9S-4191	1	PLUG (9/16-18-THD)						
		1	6V-5049	1	SEAL-O-RING						
	7	1	2W-6288	1	COVER-FILTER HOUSING						
C	8	1	5D-5957	2	SEAL-O-RING						
	9	1	2S-5100	1	VALVE-MANUAL						
	10	1	9S-4182	5	PLUG (7/16-20-THD)						
C		1	6V-5048	5	SEAL-O-RING						
	11	1	0L-1351	2	BOLT (3/8-16X0.875-IN)						
C	12	1	7F-0192	2	BOLT (3/8-16X2-IN)						
	13	1	8N-9850	5	FILTER ELEMENT-FUEL						
C	14	1	2W-9301	1	RETAINER-FILTER						
	15	1	9N-1752	1	SPRING						
C	16	1	2W-9300	1	COVER-FILTER HOUSING						
	17	1	1N-2895	1	SPRING						
	18	1	4B-9782	1	BALL						

C - CHANGE FROM PREVIOUS TYPE

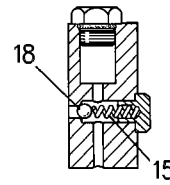
FUEL SYSTEM

8N-7726 FILTER GP-FUEL (contd.)

i00956907



VIEW A-A



VIEW B-B

GRAPHIC #1

<END>

g00501710

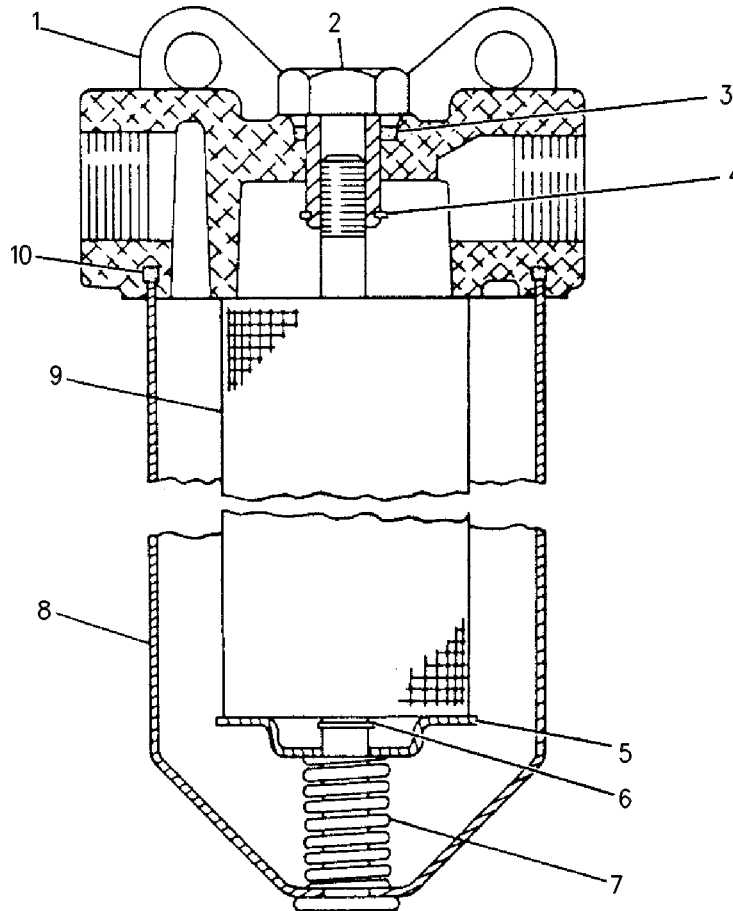
FUEL SYSTEM

8N-6435 FILTER GP-PRIMARY FUEL AN ATTACHMENT

SMCS-1260, 1261

i07245584

NOTE	REF NO	GRAPHIC REF	PART NUMBER	QTY	PART NAME						SEE PAGE
					1	2	3	4	5	6 (PRODUCT LEVEL)	
	1	1	1W-0531	1	BASE-PRIMARY FUEL FILTER						
	2	1	7N-1628	1	NUT (3/8-24-THD)						
	3	1	2J-0157	1	SEAL-O-RING						
	4	1	1L-3769	1	RING-RETAINING						
	5	1	7H-9678	1	RETAINER-ELEMENT						
	6	1	2H-3429	1	RING-RETAINING						
	7	1	7S-9323	1	SPRING						
	8	1	8H-7202	1	CASE AS-FUEL FILTER						
	9	1	9M-2342	1	FILTER ELEMENT-FUEL						
	10	1	8H-2778	1	SEAL-RING (FUEL FILTER)						



GRAPHIC #1

<END>

g00625270

FUEL SYSTEM

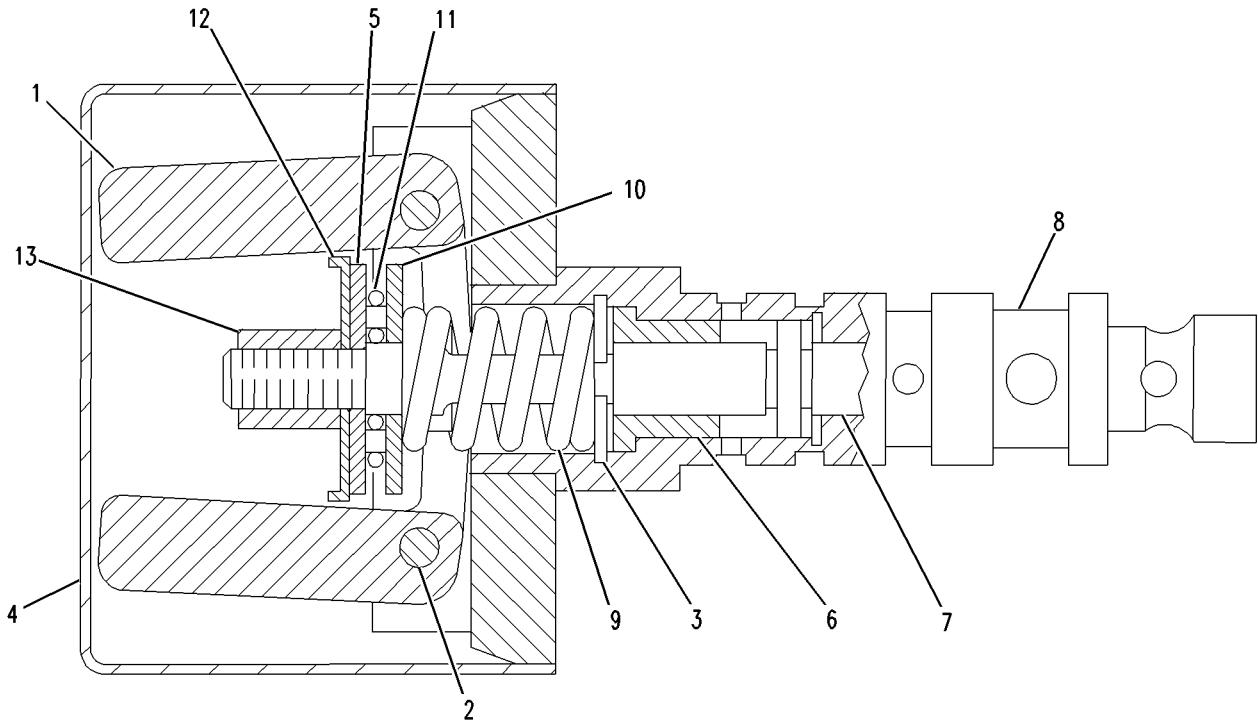
2W-0233 FLYWEIGHT GP

PART OF 1W-4859, 4W-7241, 7C-0083, 7C-0084, 7C-2850, 7W-3285 GOVERNOR GP
ALSO AN ATTACHMENT

SMCS-1264

i01411912

NOTE	REF NO	GRAPHIC REF	PART NUMBER	QTY	PART NAME						SEE PAGE
					1	2	3	4	5	6	
	1	1	2W-0791	2	FLYWEIGHT AS						
	2	1	5H-6493	2	PIN-BALL ARM						
	3	1	2M-8191	1	RING-SNAP						
	4	1	9F-9695	1	COVER-BALLHEAD						
	5	1	2W-8513	1	RACE-THRUST BEARING						
	6	1	2W-8512	1	BUSHING-BALLHEAD						
	7	1	2W-8503	1	PLUNGER-VALVE						
	8	1	2W-8507	1	CARRIER AS						
	9	1	2W-8500	1	SPRING-LOADING						
	10	1	2W-8514	1	RACE-THRUST BEARING						
	11	1	7M-7219	1	BEARING-THRUST						
	12	1	2W-8509	1	SEAT-SPRING						
	13	1	2W-2642	1	NUT-PILOT VALVE						



GRAPHIC #1

<END>

g00743152

FUEL SYSTEM

2W-0233 FLYWEIGHT GP

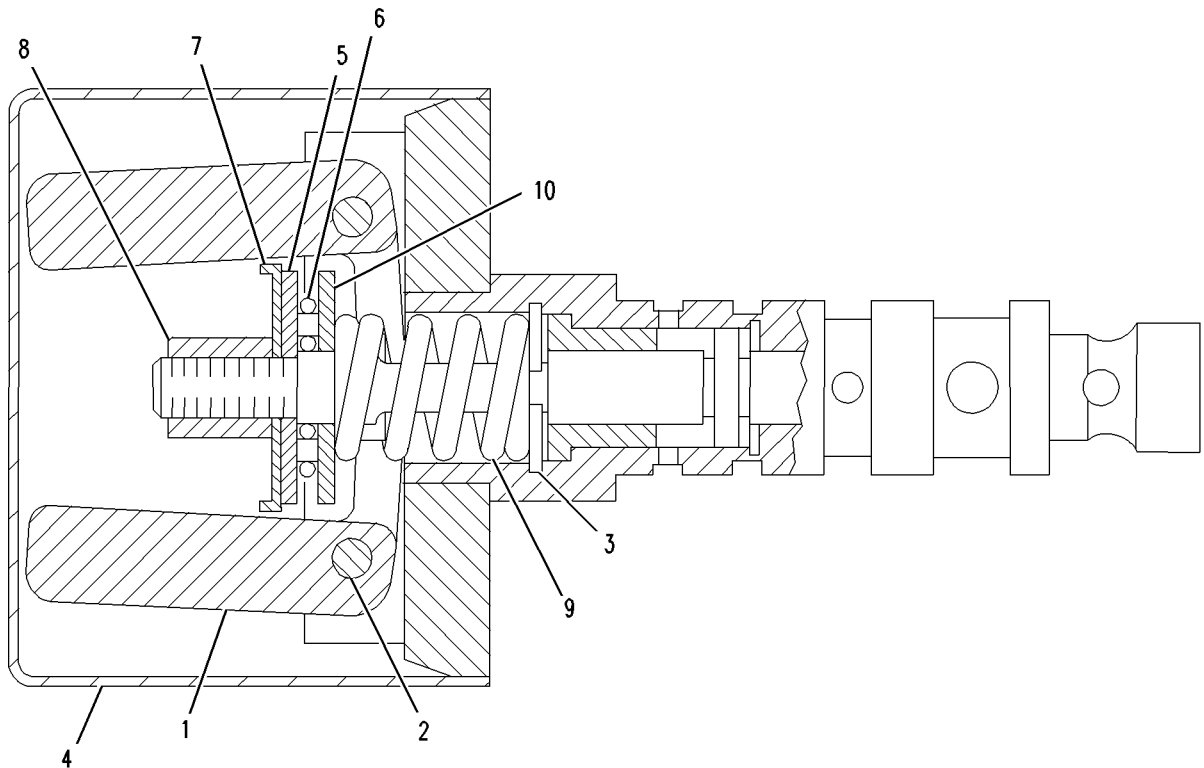
S/N: 50Y713-874; 66Z190-578

PART OF 7C-2850, 7E-4537, 9Y-2651, 9Y-2652 GOVERNOR GP
ALSO AN ATTACHMENT

SMCS-1264

i01411919

NOTE	REF NO	GRAPHIC REF	PART NUMBER	QTY	PART NAME						SEE PAGE
					1	2	3	4	5	6 (PRODUCT LEVEL)	
	1	1	2W-0791	2	FLYWEIGHT AS						
	2	1	5H-6493	2	PIN-BALL ARM						
	3	1	2M-8191	1	RING-SNAP						
	4	1	9F-9695	1	COVER-BALLHEAD						
	5	1	2W-8513	1	RACE-THRUST BEARING						
	6	1	7M-7219	1	BEARING-THRUST						
	7	1	2W-8509	1	SEAT-SPRING						
	8	1	2W-2642	1	NUT-PILOT VALVE						
	9	1	2W-8500	1	SPRING-LOADING						
	10	1	2W-8514	1	RACE-THRUST BEARING						



GRAPHIC #1

<END>

g00743159

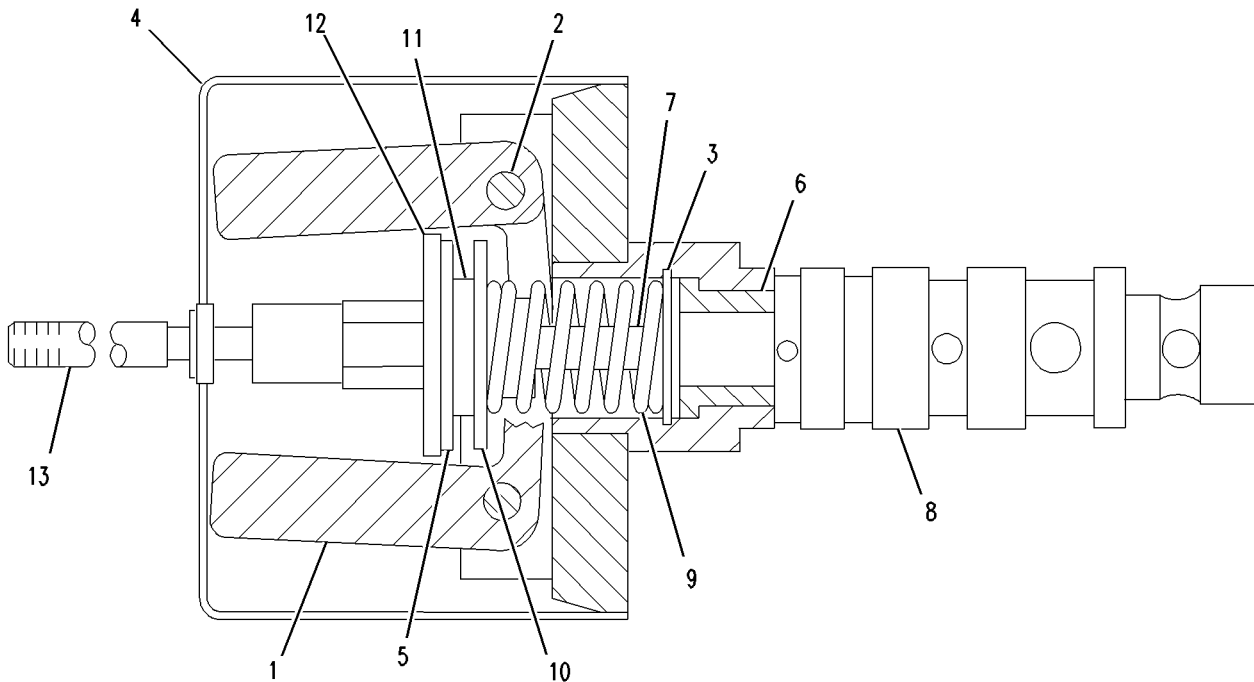
FUEL SYSTEM

2W-1219 FLYWEIGHT GP PART OF 4W-7269, 7C-3023, 7C-5681 GOVERNOR GP AN ATTACHMENT

SMCS-1264

i01413378

NOTE	REF NO	GRAPHIC REF	PART NUMBER	QTY	PART NAME						SEE PAGE
					1	2	3	4	5	6	
	1	1	2W-0791	2	FLYWEIGHT AS						
	2	1	5H-6493	2	PIN-BALL ARM						
	3	1	2M-8191	1	RING-SNAP						
	4	1	9F-9695	1	COVER-BALLHEAD						
	5	1	2W-8513	1	RACE-THRUST BEARING						
	6	1	2W-8512	1	BUSHING-BALLHEAD						
	7	1	2W-8503	1	PLUNGER-VALVE						
	8	1	2W-8507	1	CARRIER AS						
	9	1	2W-8500	1	SPRING-LOADING						
	10	1	2W-8514	1	RACE-THRUST BEARING						
	11	1	7M-7219	1	BEARING-THRUST						
	12	1	2W-8509	1	SEAT-SPRING						
	13	1	2W-8510	1	NUT & ROD AS						



GRAPHIC #1

<END>

g00743987

FUEL SYSTEM

124-3173 GOVERNOR GP*R PART OF 2W-8583, 8N-6714 GOVERNOR GP AN ATTACHMENT

SMCS-1264, 1908

i05992452

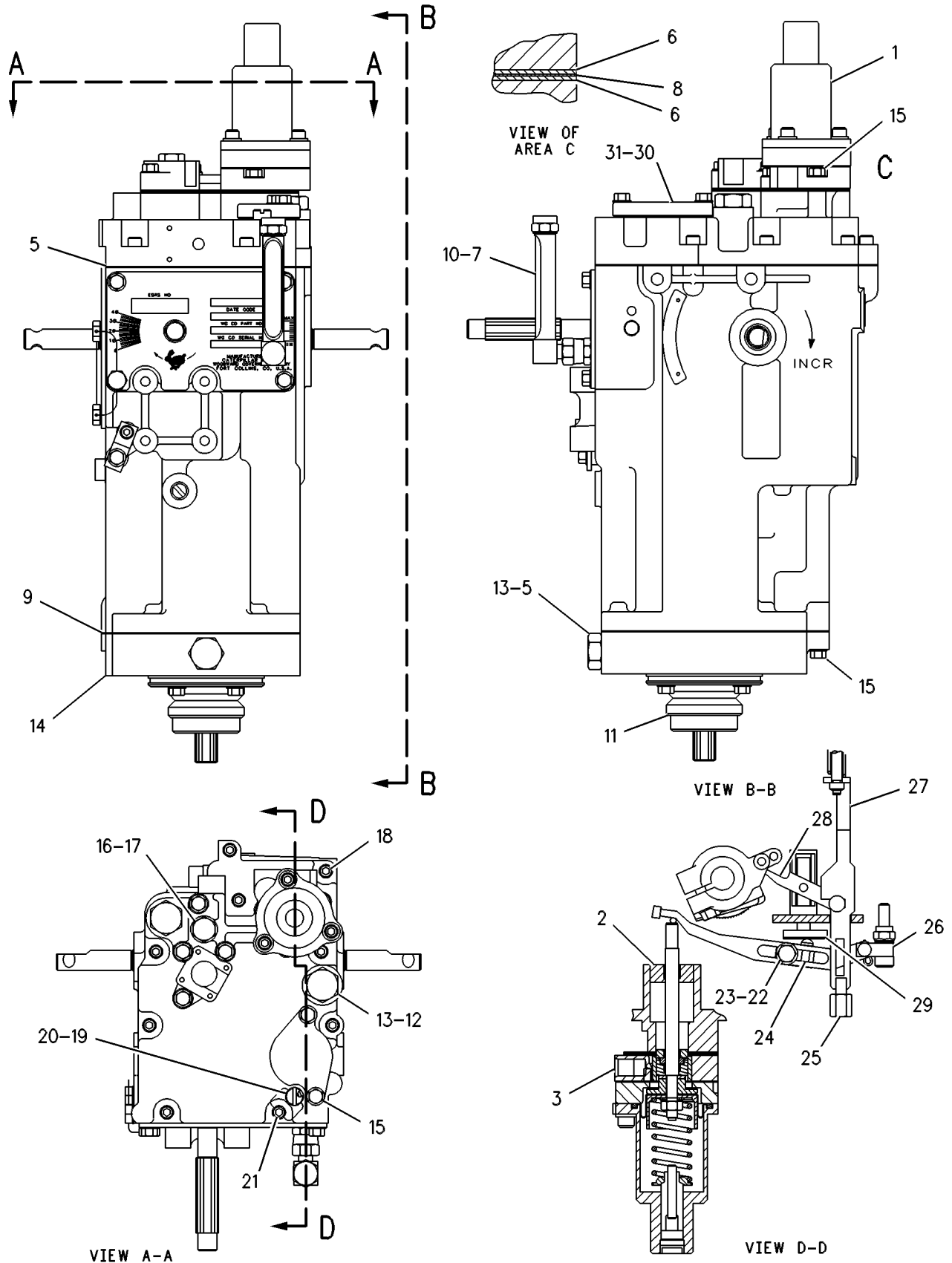
NOTE	REF NO	GRAPHIC REF	PART NUMBER	QTY	PART NAME						SEE PAGE
					1	2	3	4	5	6 (PRODUCT LEVEL)	
Y	1	1	101-8238	1	CONTROL GP-FUEL RATIO						967
	2	1	6I-3846	1	BUSHING-GUIDE						
	3	1	6I-3844	1	COVER AS-SETTING						
		1	6I-3847	1	KIT-REPAIR						
					(INCLUDES SEALS & BUSHING)						
	4	1	1W-9780	1	GASKET						
	5	1	9S-4185	1	PLUG (3/4-16-THD)						
	6	1	4P-6857	2	GASKET-PLATE						
	7	1	129-3096	1	GAUGE-SIGHT (OIL LEVEL) (GOVERNOR OIL)						
	8	1	2W-4606	1	PLATE-ORIFICE						
	9	1	2W-0124	1	GASKET						
	10	1	131-4345	1	GLASS-SIGHT						
Y	11	1	6I-3842	1	PUMP GP-GEROTOR (GOVERNOR)						1256
	12	1	123-9693	1	CAP-BREATHER (ATMOSPHERIC)						
	13	1	8L-2786	2	SEAL-O-RING						
	14	1	135-6910	1	BASE						
	15	1	032-2580	20	SCREW-TAPPING (1/4-20X1-IN)						
	16	1	9S-4182	1	PLUG (7/16-20-THD)						
	17	1	6V-5048	1	SEAL-O-RING						
	18	1	8H-0707	8	BOLT (1/4-20X1-IN)						
	19	1	7C-3900	1	PLUG						
	20	1	5P-7812	1	SEAL-O-RING						
	21	1	9X-5999	1	BOLT (1/4-20X1-IN)						
	22	1	2W-5975	1	SCREW-BOLT (1/4-28X0.5-IN)						
	23	1	3L-6759	1	WASHER						
	24	1	4P-6860	1	BLOCK-CAM						
	25	1	2W-1228	1	NUT-SHUTDOWN ADJUSTMENT (1/4-28-THD)						
	26	1	4P-6859	1	LEVER AS						
	27	1	4P-6867	1	ROD AS-SHUTOFF						
	28	1	4P-6863	1	LEVER AS						
	29	1	4P-6861	1	ROD AS						
	30	1	2W-0776	1	COVER-SHUTDOWN						
	31	1	1W-9782	1	GASKET-SHUTOFF						

Y - SEPARATE ILLUSTRATION

FUEL SYSTEM

124-3173 GOVERNOR GP (contd.)

i05992452



GRAPHIC #1

<END>

g00276118

FUEL SYSTEM

124-3174 GOVERNOR GP*R PART OF 1W-5021, 7W-3333 GOVERNOR GP AN ATTACHMENT

SMCS-1264, 1908

i02657806

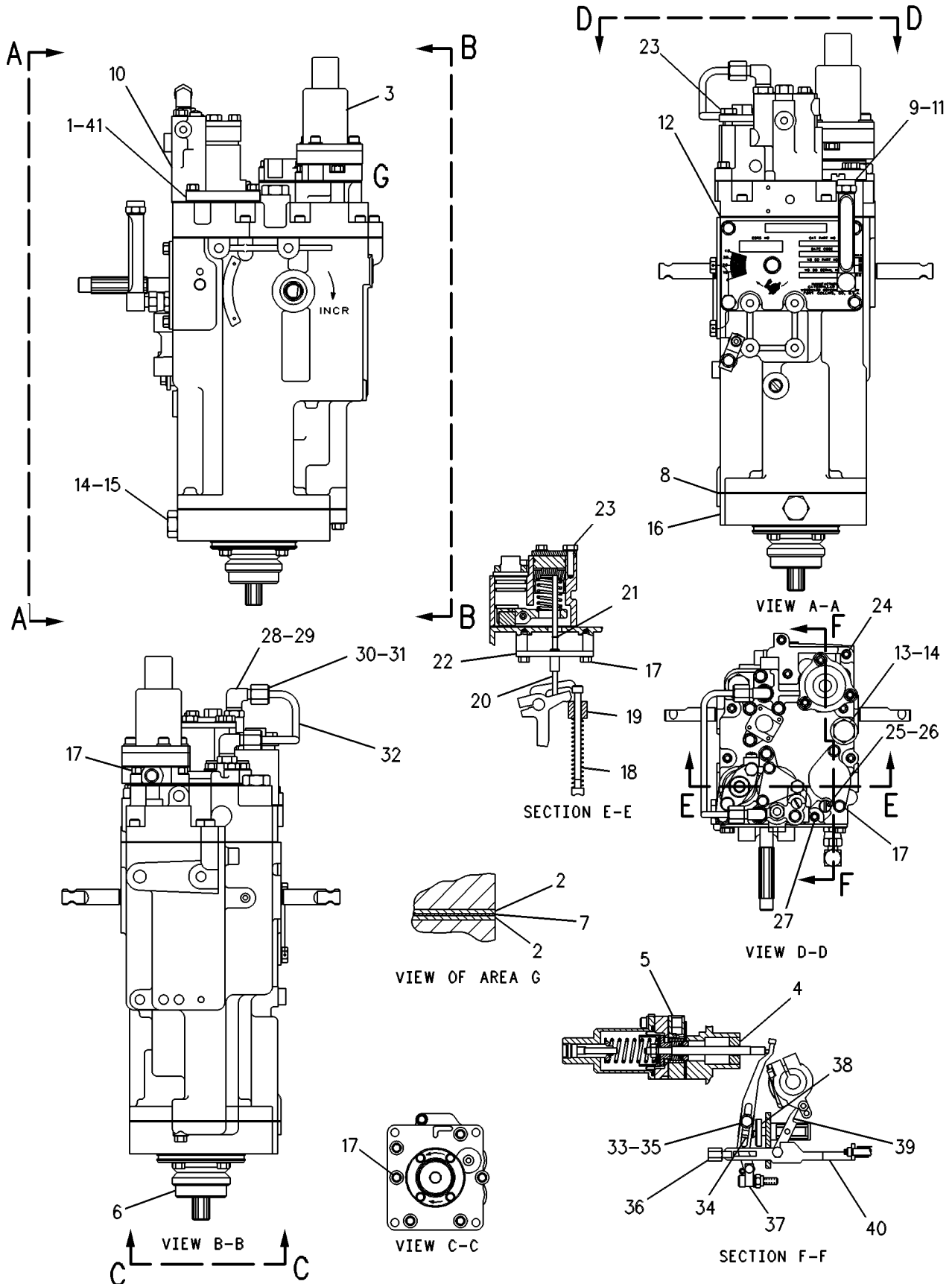
NOTE	REF NO	GRAPHIC REF	PART NUMBER	QTY	PART NAME						SEE PAGE
					1	2	3	4	5	6 (PRODUCT LEVEL)	
	1	1	1W-9782	1	GASKET - SHUTOFF						
	2	1	4P-6857	2	GASKET - PLATE						
Y	3	1	101-8238	1	CONTROL GP - FUEL RATIO						967
	4	1	6I-3846	1	BUSHING - GUIDE						
	5	1	6I-3844	1	COVER AS - SETTING						
		1	6I-3847	1	KIT - REPAIR (FUEL RATIO CONTROL) (INCLUDES SEALS & BUSHINGS)						
Y	6	1	6I-3842	1	PUMP GP - GEROTOR (GOVERNOR)						1256
	7	1	2W-4606	1	PLATE - ORIFICE						
	8	1	2W-0124	1	GASKET						
	9	1	129-3096	1	GAUGE - SIGHT (OIL LEVEL) (GOVERNOR OIL)						
Y	10	1	4P-6538	1	CONTROL GP - GOVERNOR						978
	11	1	131-4345	1	GLASS - SIGHT						
	12	1	1W-9780	1	GASKET						
	13	1	123-9693	1	CAP - BREATHER (ATMOSPHERIC)						
	14	1	8L-2786	2	SEAL - O-RING						
	15	1	9S-4185	1	PLUG (3/4-16-THD)						
	16	1	135-6910	1	BASE						
	17	1	032-2580	26	SCREW - TAPPING (1/4-20X1-IN)						
	18	1	2W-1476	1	SPRING						
	19	1	2W-4619	1	SEAT						
	20	1	2W-4622	1	ROD						
	21	1	5P-4672	1	RING - RETAINING						
	22	1	7C-0077	1	GUIDE AS - ROD						
	23	1	2W-0138	3	SCREW - FORMING (1/4-20X1-IN)						
	24	1	8H-0707	7	BOLT (1/4-20X1-IN)						
	25	1	7C-3900	1	PLUG						
	26	1	5P-7812	1	SEAL - O-RING						
	27	1	9X-5999	1	BOLT (1/4-20X1-IN)						
	28	1	6V-5048	2	SEAL - O-RING						
	29	1	030-7946	2	ELBOW						
	30	1	8L-3161	2	NUT - FLARED (7/16-20-THD)						
	31	1	8L-3162	2	SLEEVE - FLARED						
	32	1	2W-4633	1	TUBE						
	33	1	3L-6759	1	WASHER						
	34	1	4P-6860	1	BLOCK - CAM						
	35	1	2W-5975	1	SCREW - BOLT (1/4-28X0.5-IN)						
	36	1	2W-1228	1	NUT - SHUTDOWN ADJUSTMENT (1/4-28-THD)						
	37	1	4P-6859	1	LEVER AS						
	38	1	4P-6861	1	ROD AS						
	39	1	4P-6863	1	LEVER AS						
	40	1	4P-6867	1	ROD AS - SHUTOFF						
	41	1	2W-0776	1	COVER - SHUTDOWN						

Y - SEPARATE ILLUSTRATION

FUEL SYSTEM

124-3174 GOVERNOR GP (contd.)

i02657806



GRAPHIC #1

<END>

g00265459

FUEL SYSTEM

1W-0516 GOVERNOR GP

PART OF 8N-6477, 8N-6481, 8N-6722 GOVERNOR GP
AN ATTACHMENT

SMCS-1264, 1908

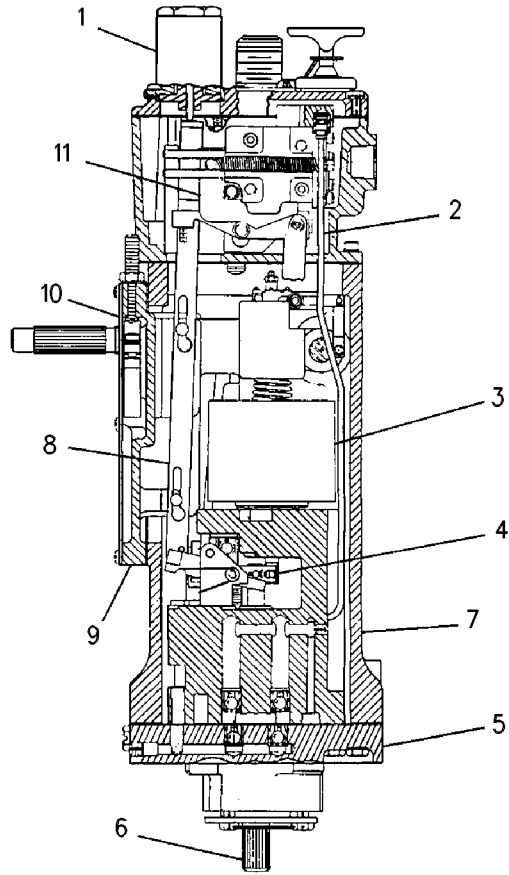
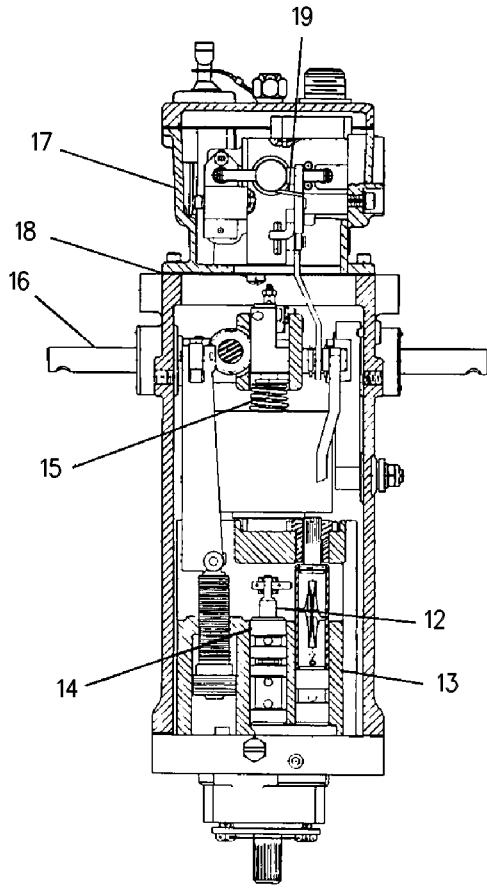
i00931773

NOTE	REF NO	GRAPHIC REF	PART NUMBER	QTY	PART NAME						SEE PAGE
					1	2	3	4	5	6 (PRODUCT LEVEL)	
Y	1	1	1W-8578	1	SHUTOFF & OIL FILLER GP						1269
	2	1	1W-7203	1	TUBE AS-OIL						
	3	1	8N-5123	1	BALL HEAD AS						
	4	1	1W-7205	1	ROD AS						
	5	1	6L-4249	1	BASE AS-GOVERNOR						
	6	1	2F-6674	1	SHAFT						
Y	7	1	1W-7208	1	HOUSING GP-GOVERNOR						1161
	8	1	1W-7204	1	STRAP AS						
Y	9	1	1W-7207	1	PANEL AS-GOVERNOR						1209
	10	1	1W-7366	1	PLATE-IDENTIFICATION						
	11	1	1W-7256	1	CAMSHAFT-FUEL LIMITER						
	12	1	2F-6814	1	PLUNGER-VALVE						
Y	13	1	1W-7209	1	ACTUATOR GP-GOVERNOR						959
	14	1	1W-7255	1	BUSHING						
	15	1	1W-7201	1	SPRING AS						
	16	1	1W-7206	1	SHAFT AS-OUTPUT						
Y	17	1	1W-7202	1	CAP GP-PROTECTION (GOVERNOR)						2098
C	18	1	2W-2627	1	GASKET-GOVERNOR COVER						
C	19	1	2W-8511	1	SPRING-TORSION						
					AVAILABLE REPAIR KIT(S):						
			1W-7254	1	KIT-REPAIR						
C - CHANGE FROM PREVIOUS TYPE											
Y - SEPARATE ILLUSTRATION											

FUEL SYSTEM

1W-0516 GOVERNOR GP (contd.)

i00931773



GRAPHIC #1

<END>

g00476540

FUEL SYSTEM

1W-4859 GOVERNOR GP

S/N: 50Y647-655; 66Z190-578

PART OF 1W-5017, 1W-5021, 8N-6712 GOVERNOR GP

ALSO AN ATTACHMENT

SMCS-1264, 1908

i00651341

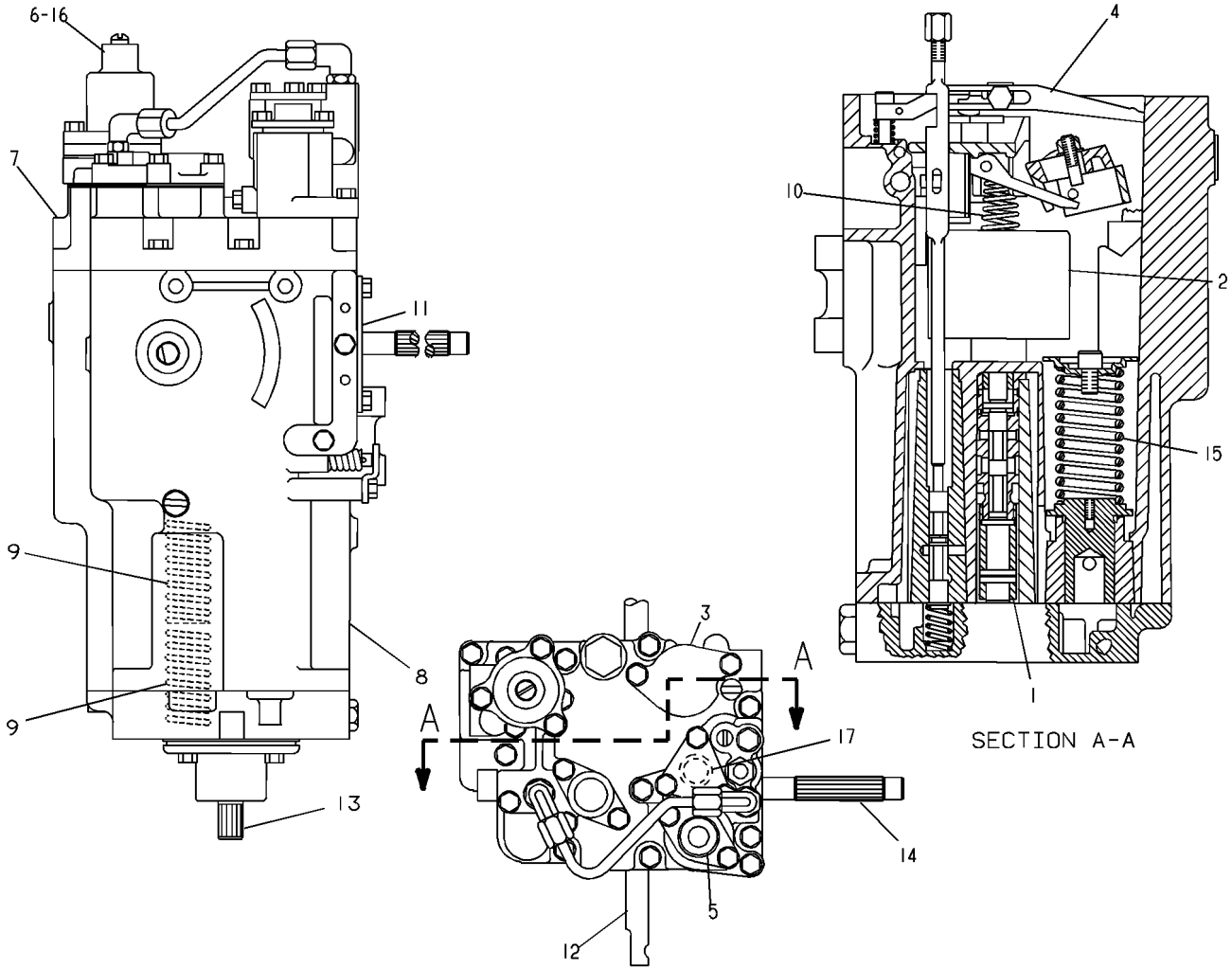
NOTE	REF NO	GRAPHIC REF	PART NUMBER	QTY	PART NAME						SEE PAGE
					1	2	3	4	5	6 (PRODUCT LEVEL)	
	1	1	1W-9783	1	COUPLING AS						
Y	2	1	2W-0233	1	FLYWEIGHT GP						1028
Y	3	1	2W-0232	1	COVER GP-GOVERNOR						983
Y	4	1	<i>2W-1484</i>	1	LINKAGE GP-GOVERNOR						1205
Y	5	1	<i>2W-1459</i>	1	CONTROL GP-GOVERNOR						974
Y	6	1	<i>2W-1647</i>	1	CONTROL GP-FUEL RATIO						968
Y	7	1	<i>2W-1220</i>	1	COVER GP-GOVERNOR						985
Y	8	1	<i>2W-1923</i>	1	GOVERNOR GP						1040
	9	1	2W-0139	2	SPRING-BUFFER						
	10	1	2W-0141	1	SPRING						
	11	1	2W-0243	1	PLATE-IDENTIFICATION						
	12	1	2W-0144	2	SHAFT-TERMINAL						
	13	1	2W-0145	1	SHAFT-DRIVE						
	14	1	2W-0445	1	SHAFT-SETTING						
	15	1	2W-1645	1	SPRING						
	16	1	2W-1918	1	SPRING-LIMITER						
	17	1	2W-1919	1	SPRING						

Y - SEPARATE ILLUSTRATION

FUEL SYSTEM

1W-4859 GOVERNOR GP (contd.)

i00651341



GRAPHIC #1

<END>

g00153515

FUEL SYSTEM

1W-5017 GOVERNOR GP

**L.H.-3161 WITH SMOKE LIMITER & HYDRAULIC/PNEUMATIC SPEED SETTING.
FOR USE WITH OPPOSITE ENGINE ROTATION
AN ATTACHMENT**

SMCS-1264, 1908

i00890786

NOTE	PART NUMBER	QTY	PART NAME						SEE PAGE
			1	2	3	4	5	6 (PRODUCT LEVEL)	
Y	8N-4266	1	COVER GP-ACCESSORY DRIVE						83
Y	1W-2135	1	DRIVE GP-GOVERNOR						986
Y	8N-4262	1	FASTENER GP-FUEL INJ PUMP						1000
Y	1W-4859	1	GOVERNOR GP						1037
			-OR-						
Y	4W-7241	1	GOVERNOR GP						1047
			-OR-						
Y	7C-0083	1	GOVERNOR GP						1079
			-OR-						
Y	7C-2850	1	GOVERNOR GP						1097
Y	1W-5171	1	LINES GP-FUEL RATIO CONTROL						1203

Y - SEPARATE ILLUSTRATION

<END>

1W-5021 GOVERNOR GP-LH

**3161 WITH SMOKE LIMITER & HYDRAULIC/PNEUMATIC SPEED SETTING
FOR USE WITH STANDARD ENGINE ROTATION
AN ATTACHMENT**

SMCS-1264, 1908

i01433597

NOTE	PART NUMBER	QTY	PART NAME						SEE PAGE
			1	2	3	4	5	6 (PRODUCT LEVEL)	
Y	8N-4263	1	COVER GP-ACCESSORY DRIVE						82
Y	1W-2135	1	DRIVE GP-GOVERNOR						986
Y	8N-4262	1	FASTENER GP-FUEL INJ PUMP						1000
			-OR-						
Y	1W-6036	1	FASTENER GP-FUEL INJ PUMP						996
Y	1W-4859	1	GOVERNOR GP						1037
			-OR-						
Y	4W-7241	1	GOVERNOR GP						1047
			-OR-						
Y	7C-0083	1	GOVERNOR GP						1079
			-OR-						
Y	7C-2850	1	GOVERNOR GP						1097
			-OR-						
Y	9Y-2652	1	GOVERNOR GP						1152
			-OR-						
Y	7E-4537	1	GOVERNOR GP						1122
			-OR-						
R	7E-8948	1	GOVERNOR GP						
			-OR-						
YR	6I-0665	1	GOVERNOR GP						1071
			-OR-						
YR	124-3174	1	GOVERNOR GP						1033
Y	1W-5171	1	LINES GP-FUEL RATIO CONTROL						1203

R - REMANUFACTURED PART MAY BE AVAILABLE

Y - SEPARATE ILLUSTRATION

<END>

FUEL SYSTEM

2W-1923 GOVERNOR GP

PART OF 1W-4859 GOVERNOR GP

ALSO AN ATTACHMENT

SMCS-1264, 1908

i01802589

NOTE	REF NO	GRAPHIC REF	PART NUMBER	QTY	PART NAME						SEE PAGE
					1	2	3	4	5	6 (PRODUCT LEVEL)	
C	1	1	4W-3176	2	PIN						
Y	2	1	2W-1458	1	HOUSING GP-GOVERNOR						1162
	3	1	2W-0245	1	BRACKET AS						
	4	1	2W-0148	1	SLIDER AS						
	5	1	2W-0138	21	SCREW-FORMING (1/4-20X1-IN)						
	6	1	2W-4311	1	PIN						
	7	1	2W-0282	3	SEAL-OIL						
	8	1	2W-0446	1	STOP-LEVER						
	9	1	2W-0784	1	BASE						
	10	1	3B-4605	2	PIN-COTTER						
	11	1	2W-4315	1	VALVE-NEEDLE						
	12	1	3B-4504	1	LOCKWASHER						
	13	1	8H-0707	1	BOLT (1/4-20X1-IN)						
	14	1	9L-9777	2	SETSCREW						
	15	1	2W-0224	1	SEAL-O-RING						
	16	1	9S-4185	1	PLUG (3/4-16-THD)						
	17	1	2W-4306	1	SPRING-LEVER						
	18	1	2W-4317	1	PLUG-SPRING						
	19	1	8L-2786	1	SEAL-O-RING						
	20	1	2W-4310	1	PIN						
	21	2	2W-0774	1	PLUG AS						
C	22	2	4W-3177	1	LEVER AS-TERMINAL						
C	23	2	5P-7812	2	SEAL-O-RING						
	24	2	2W-0283	1	SPRING-PLUNGER						
	25	2	2W-0226	1	SEAL-O-RING						
	26	2	2F-3219	1	NUT-ELASTIC STOP						
	27	2	2W-0140	1	SPRING-RETURN						
	28	2	2W-0124	1	GASKET						
	29	2	2W-4319	1	PISTON						
	30	2	2W-4307	1	PISTON						
	31	2	2W-4312	1	PLUG-BUFFER BORE						
	32	2	2W-4318	1	PISTON-SERVO						
	33	2	2W-6417	1	PIN-PISTON LINK						
	34	2	2W-4316	1	SEAT-LOADING						
	35	2	2W-4321	1	LINK-LOADING						
	36	2	2W-4305	1	LINK-CONNECTING						
	37	2	2W-5874	1	LEVER-SETTING						
	38	2	2W-4324	1	SEAT-ACCUMULATOR						
	39	2	2W-4313	1	PLUNGER-VALVE						
	40	2	2H-3429	1	RING-RETAINING						
	41	2	2W-4995	1	SETSCREW-SOCKET						
	42	2	5S-2184	1	BOLT (3/8-16X0.5-IN)						
	43	2	4B-4276	1	WASHER (7X16X1.6-MM THK)						
C	44	2	2W-6891	1	PIN AS-ORIFICE						
C	45	2	4W-3178	1	WASHER-WAVE						
	46	3	8F-4610	1	RING-RETAINING						
	47	3	6L-2113	1	RING-RETAINING						

FUEL SYSTEM

2W-1923 GOVERNOR GP (contd.)

i01802589

NOTE	REF NO	GRAPHIC REF	PART NUMBER	QTY	PART NAME						SEE PAGE
					1	2	3	4	5	6 (PRODUCT LEVEL)	
	48	3	2W-3590	1	PIN-SPRING						
	49	3	2W-0281	1	RING-RETAINING						
	50	3	2W-0120	1	ELEMENT-GEROTOR MOTOR						
	51	3	2W-0223	1	SEAL-O-RING						
	52	3	2W-0282	1	SEAL-OIL						
	53	3	2W-0128	1	BALL BEARING						
	54	3	2W-0126	1	HOUSING-PUMP						
	55	3	2W-0127	1	PIN-PUMP DRIVE						
	56	3	2W-0447	1	LEVER-SETTING						

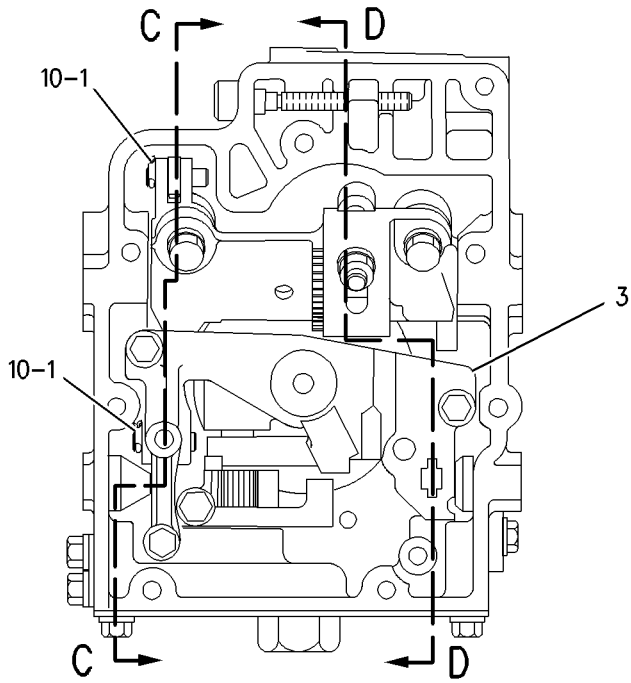
C - CHANGE FROM PREVIOUS TYPE

Y - SEPARATE ILLUSTRATION

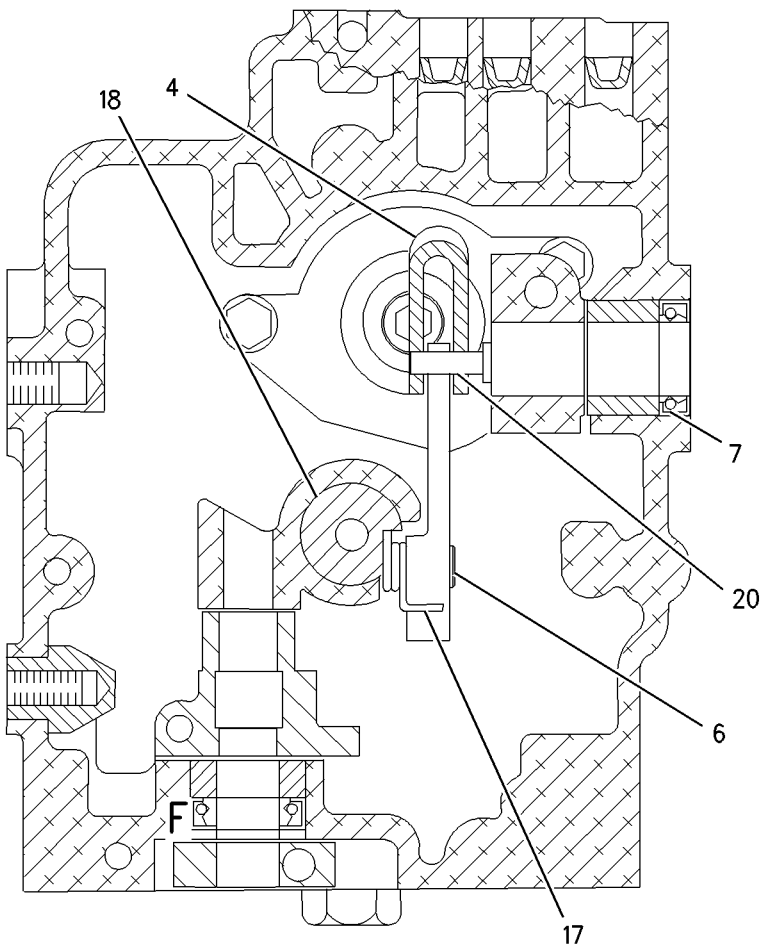
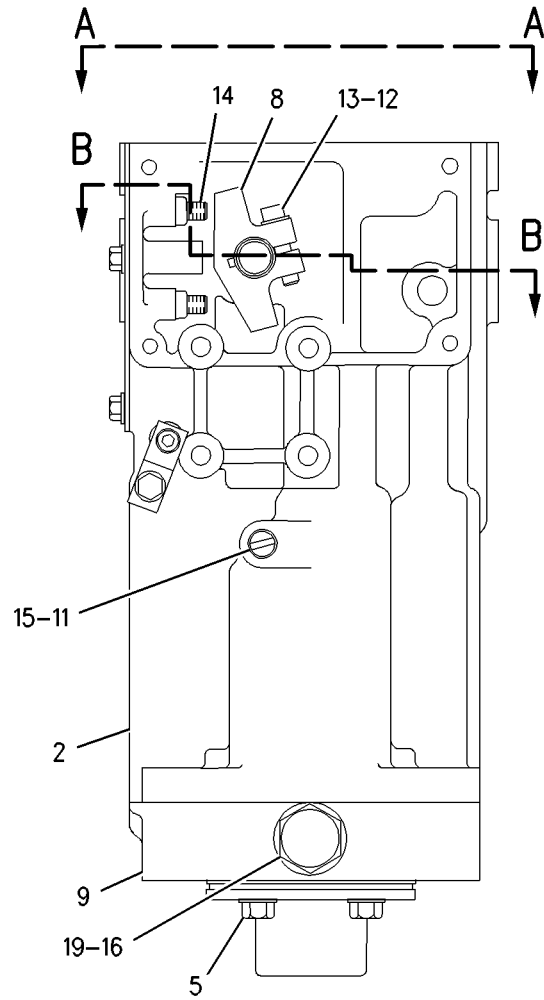
FUEL SYSTEM

2W-1923 GOVERNOR GP (contd.)

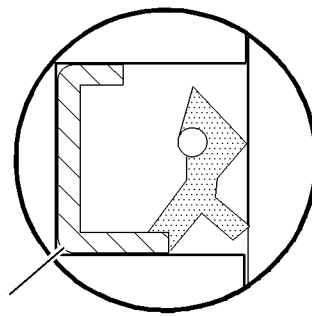
i01802589



VIEW A-A



SECTION B-B



VIEW OF AREA F

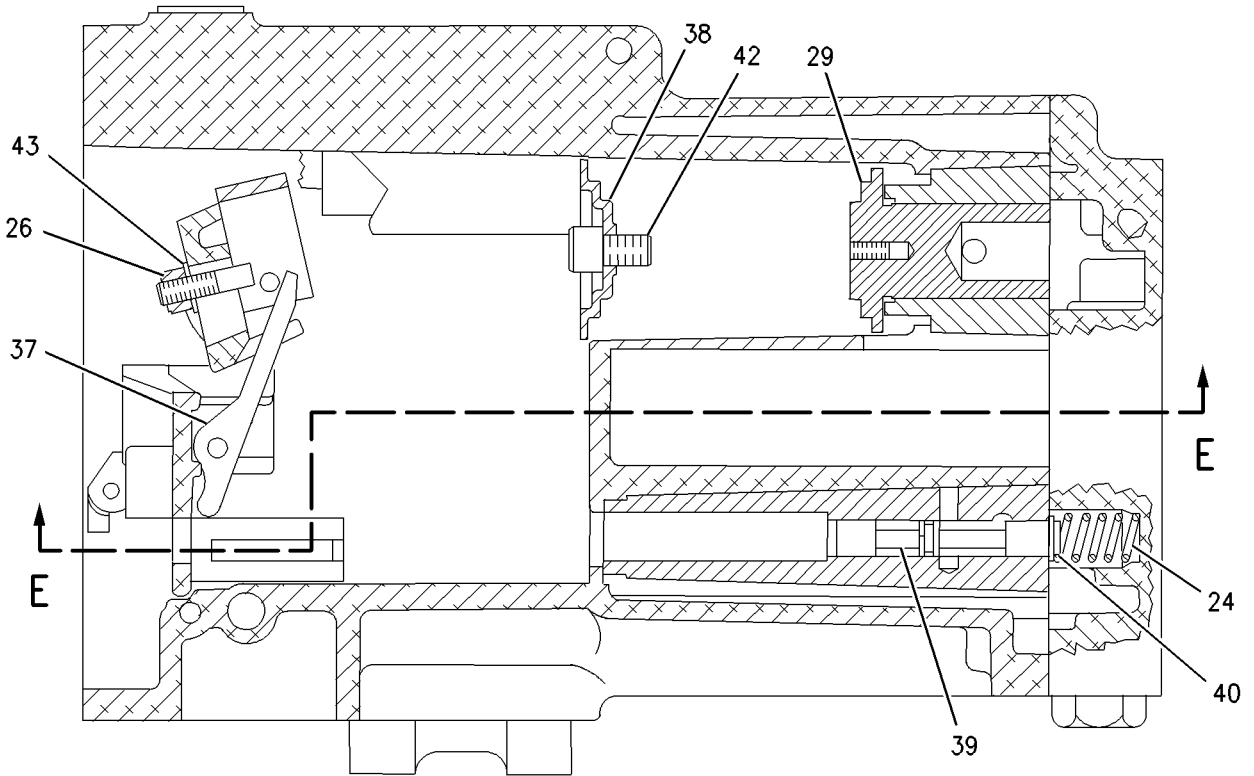
GRAPHIC #1

g00922713

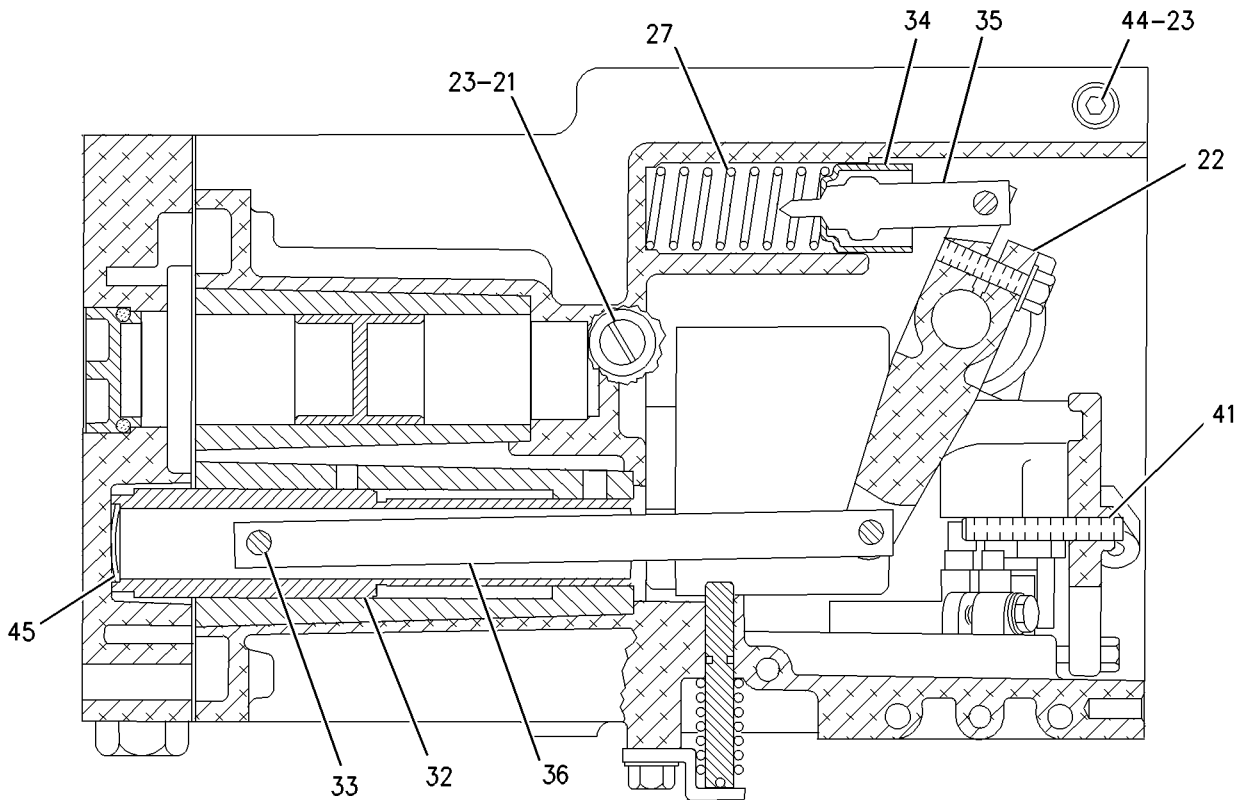
FUEL SYSTEM

2W-1923 GOVERNOR GP (contd.)

101802589



SECTION D-D



SECTION C-C

REFER TO ALL ILLUSTRATIONS OF THIS GROUP FOR AUXILIARY VIEWS

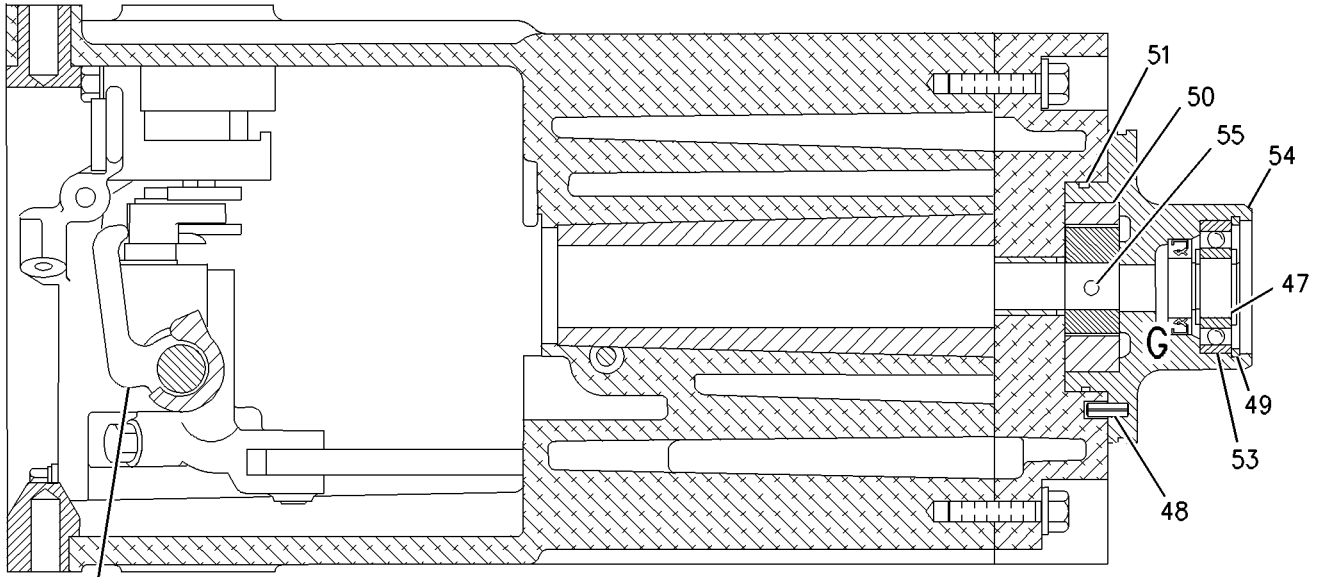
GRAPHIC #2

g00922712

FUEL SYSTEM

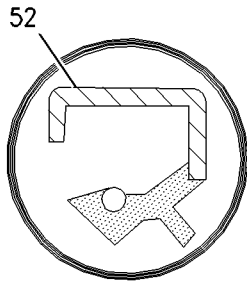
2W-1923 GOVERNOR GP (contd.)

i01802589



56

SECTION E-E



VIEW OF AREA G

REFER TO ALL ILLUSTRATIONS OF THIS GROUP FOR AUXILIARY VIEWS

GRAPHIC #3

<END>

g00922709

FUEL SYSTEM

2W-8580 GOVERNOR GP PART OF 2W-8583, 2W-8585 GOVERNOR GP AN ATTACHMENT

SMCS-1264, 1908

i00893763

NOTE	PART NUMBER	QTY	PART NAME 1 2 3 4 5 6 (PRODUCT LEVEL)	SEE PAGE
(NO BREAKDOWN OF SERVICABLE PARTS IS AVAILABLE AT THIS TIME)				
<END>				

2W-8583 GOVERNOR GP-LH FOR USE WITH STANDARD ENGINE ROTATION AN ATTACHMENT

SMCS-1264, 1908

i01433959

NOTE	PART NUMBER	QTY	PART NAME 1 2 3 4 5 6 (PRODUCT LEVEL)	SEE PAGE
Y	8N-4263	1	COVER GP-ACCESSORY DRIVE	82
Y	1W-2135	1	DRIVE GP-GOVERNOR	986
Y	8N-4262	1	FASTENER GP-FUEL INJ PUMP	1000
			-OR-	
Y	1W-6036	1	FASTENER GP-FUEL INJ PUMP	996
Y	2W-8580	1	GOVERNOR GP	1045
			-OR-	
Y	4W-7269	1	GOVERNOR GP	1057
			-OR-	
Y	7C-3023	1	GOVERNOR GP	1105
			-OR-	
Y	7C-5681	1	GOVERNOR GP	1113
			S/N: 50Y647-814 ; 66Z190-343	
Y	9Y-2651	1	GOVERNOR GP	1144
			-OR-	
R	7E-8949	1	GOVERNOR GP	
			-OR-	
YR	6I-0664	1	GOVERNOR GP	1064
			-OR-	
YR	124-3173	1	GOVERNOR GP	1031
Y	1W-5171	1	LINES GP-FUEL RATIO CONTROL	1203

R - REMANUFACTURED PART MAY BE AVAILABLE
Y - SEPARATE ILLUSTRATION

<END>

FUEL SYSTEM

2W-8585 GOVERNOR GP-WOODWARD-LH 3161 WITHOUT TORQUE RISE FOR USE WITH OPPOSITE ENGINE ROTATION AN ATTACHMENT

SMCS-1264, 1908

i00648527

NOTE	PART NUMBER	QTY	PART NAME						SEE PAGE
			1	2	3	4	5	6 (PRODUCT LEVEL)	
Y	8N-4266	1	COVER GP-ACCESSORY DRIVE						83
Y	1W-2135	1	DRIVE GP-GOVERNOR						986
Y	8N-4262	1	FASTENER GP-FUEL INJ PUMP						1000
	2W-8580	1	GOVERNOR GP						
			-OR-						
Y	4W-7269	1	GOVERNOR GP						1057
Y	1W-5171	1	LINES GP-FUEL RATIO CONTROL						1203

Y - SEPARATE ILLUSTRATION

<END>

FUEL SYSTEM

4W-7241 GOVERNOR GP

S/N: 50Y656-666; 66Z190-197

PART OF 1W-5017, 1W-5021, 8N-6712 GOVERNOR GP

ALSO AN ATTACHMENT

SMCS-1264, 1908

i02667610

NOTE	REF NO	GRAPHIC REF	PART NUMBER	QTY	PART NAME						SEE PAGE
					1	2	3	4	5	6 (PRODUCT LEVEL)	
	1	1	2W-4633	1	TUBE						
	2	1	030-7946	2	ELBOW						
		1	6V-5048	2	SEAL-O-RING						
Y	3	1	2W-0782	1	COVER GP-GOVERNOR						984
	4	1	2W-6418	1	PLUG						
		1	2W-0221	1	SEAL-O-RING						
	5	1	2W-0779	1	COVER						
	6	1	1W-9780	1	GASKET						
	7	1	9L-9777	2	SETSCREW						
	8	1	2W-0446	1	STOP-LEVER						
	9	1	8H-0707	1	BOLT (1/4-20X1-IN)						
		1	3B-4504	1	LOCKWASHER						
	10	1	2W-0243	1	PLATE-IDENTIFICATION (LEVER & DROOP)						
	11	1	2W-4315	1	VALVE-NEEDLE						
		1	2W-0224	1	SEAL-O-RING						
Y	12	1	2W-1458	1	HOUSING GP-GOVERNOR						1162
	13	1	9S-4185	2	PLUG (3/4-16-THD)						
		1	8L-2786	2	SEAL-O-RING						
	14	1	2W-0138	50	SCREW-FORMING (1/4-20X1-IN)						
	15	1	2W-0145	1	SHAFT-DRIVE						
	16	1	2W-0784	1	BASE						
	17	1	3B-4605	2	PIN-COTTER						
	18	1	4W-3176	2	PIN						
	19	1	2W-4624	1	PLUG-DETENT ADJUSTMENT						
	20	1	2W-0222	1	SEAL-O-RING						
	21	1	2W-0245	1	BRACKET AS						
	22	1	1W-9781	1	GASKET-PLATE						
	23	1	2W-4606	1	PLATE-ORIFICE						
	24	1	2W-0123	1	GASKET-PLATE						
	25	2	2W-4317	1	PLUG-SPRING						
	26	2	4W-7369	1	SLIDER AS-DROOP (MID)						
	27	2	2W-0282	3	SEAL-OIL						
	28	2	2W-4310	1	PIN						
	29	2	2W-4311	1	PIN						
	30	2	2W-4306	1	SPRING-LEVER						
	31	2	2W-0445	1	SHAFT-SETTING (LEVER SPEED)						
	32	2	2W-0124	1	GASKET						
	33	2	7W-5314	2	SPRING-BUFFER						
	34	2	2W-4307	1	PISTON						
	35	2	2W-0774	1	PLUG AS						
	36	2	5P-7812	3	SEAL-O-RING						
	37	2	2W-0140	1	SPRING-RETURN						
	38	2	2W-4316	1	SEAT-LOADING						
	39	2	2W-4321	1	LINK-LOADING						
	40	2	2W-6891	1	PIN AS-ORIFICE						
	41	2	4W-3177	1	LEVER AS-TERMINAL						

FUEL SYSTEM

4W-7241 GOVERNOR GP (contd.)

i02667610

NOTE	REF NO	GRAPHIC REF	PART NUMBER	QTY	PART NAME						SEE PAGE
					1	2	3	4	5	6 (PRODUCT LEVEL)	
	42	2	1B-4201	1	NUT-FULL (1/4-28-THD)						
	43	2	2W-4995	1	SETSCREW-SOCKET						
	44	2	2W-4305	1	LINK-CONNECTING						
	45	2	2W-4318	1	PISTON-SERVO						
	46	2	2W-6417	1	PIN-PISTON LINK						
	47	2	4W-3178	1	WASHER-WAVE (SPRING)						
	48	2	2W-0776	1	COVER-SHUTDOWN						
		2	1W-9782	1	GASKET-SHUTOFF						
	49	2	2W-6890	1	PLUG-HEX SOCKET						
	50	3	2W-5874	1	LEVER-SETTING						
	51	3	2F-3219	1	NUT-ELASTIC STOP						
		3	5P-0537	1	WASHER-HARD (7.2X14.5X2-MM THK)						
	52	3	2W-4324	1	SEAT-ACCUMULATOR						
	53	3	2W-1645	1	SPRING						
	54	3	2W-4319	1	PISTON						
	55	3	2H-3429	1	RING-RETAINING						
	56	3	2W-0283	1	SPRING-PLUNGER						
	57	3	2W-4313	1	PLUNGER-VALVE						
	58	3	2W-1646	1	ROD-SHUTOFF						
	59	3	5S-2184	1	BOLT (3/8-16X0.5-IN)						
	60	4	2W-0144	2	SHAFT-TERMINAL						
	61	4	2W-0141	1	SPRING						
Y	62	4	2W-0233	1	FLYWEIGHT GP						1028
	63	4	1W-9783	1	COUPLING AS (SOLID DRIVE)						
	64	4	2W-0223	1	SEAL-O-RING						
	65	4	2W-0120	1	ELEMENT-GEROTOR MOTOR (GEROTOR)						
	66	4	2W-0127	1	PIN-PUMP DRIVE						
	67	4	2W-0282	1	SEAL-OIL						
	68	4	2W-0128	1	BALL BEARING						
	69	4	8F-4610	1	RING-RETAINING						
	70	4	6L-2113	1	RING-RETAINING						
	71	4	2W-0281	1	RING-RETAINING						
	72	4	2W-0126	1	HOUSING-PUMP						
	73	4	2W-3590	1	PIN-SPRING						
	74	4	2W-0447	1	LEVER-SETTING						
	75	5	1W-9784	1	BELLOWS AS						
	76	5	6V-8139	1	SCREW-SOCKET HEAD (10-32-THD)						
	77	5	2W-4619	1	SEAT						
	78	5	2W-5916	1	SCREW (1/4-28X4.5-IN)						
	79	5	2W-5873	1	HOUSING AS						
	80	5	5P-5600	1	SEAL-O-RING						
	81	5	2W-0225	1	SEAL-O-RING						
	82	5	6V-5048	1	SEAL-O-RING						
	83	5	8F-6302	1	BOLT (1/4-20X3.75-IN)						
	84	5	2W-1475	1	SPRING						
	85	5	2W-1476	1	SPRING						
	86	5	2W-1477	2	SPRING						
	87	5	2W-0125	1	GASKET						
	88	5	2D-6642	1	BALL						
	89	5	2W-1480	1	PLUNGER						
	90	5	2W-1481	1	PISTON						

FUEL SYSTEM

4W-7241 GOVERNOR GP (contd.)

i02667610

NOTE	REF	GRAPHIC	PART NUMBER	QTY	PART NAME						SEE PAGE
	NO	REF			1	2	3	4	5	6 (PRODUCT LEVEL)	
	91	5	2W-4615	1	SEAT-SPRING						
	92	5	2W-5010	1	LEVER AS						
	93	5	2W-5871	1	GUIDE AS						
	94	5	2W-4625	1	NOZZLE						
	95	5	2W-4629	1	PLATE						
	96	5	2W-4623	1	PLUG						
	97	5	2W-5003	1	PLUG AS						
	98	5	5P-4672	1	RING-RETAINING						
	99	5	2W-4622	1	ROD						
	100	5	2W-4630	1	STRAP-HOLD-DOWN						
	101	5	2W-3591	1	WASHER						
	102	5	2W-4627	1	SEAT						
	103	5	9M-5590	1	BALL						
	104	5	2W-5913	1	SCREW						
	105	5	2W-6418	1	PLUG						
		5	2W-0221	1	SEAL-O-RING						
	106	5	4W-6627	1	SPRING-ADJUSTMENT						
	107	5	2W-0119	2	BEARING						
		5	2W-1479	1	PIN-SHAFT						
	108	6	2W-4994	1	SPRING						
	109	6	2W-5005	1	BLOCK-PIVOT						
	110	6	2W-5869	1	BOLT-SOCKET HEAD						
	111	6	2F-6721	1	PIN-RACK						
	112	6	2W-1228	1	NUT-SHUTDOWN ADJUSTMENT (1/4-28-THD)						
	113	6	2W-5012	1	GUIDE-DIAPHRAGM						
	114	6	2W-0122	1	DIAPHRAGM						
	115	6	2W-0121	1	DIAPHRAGM						
	116	6	2F-3219	1	NUT-ELASTIC STOP						
	117	6	2W-0143	1	SCREW AS-CLAMP						
	118	6	9L-9777	1	SETSCREW						
	119	6	2W-4616	1	SEAT-SPRING						
	120	6	4W-7652	1	SPRING-LIMITER (FUEL)						
	121	6	2W-4610	1	PISTON-LIMITER						
	122	6	4W-7367	1	COVER AS-LIMITER						
	123	6	2W-5001	1	SPACER						
	124	6	2W-5008	1	SPACER						
	125	6	2W-0142	1	GASKET-GUIDE						
	126	6	2W-4617	1	PLUNGER						
	127	6	2W-4997	1	SPRING-RETURN						
	128	6	2W-4626	1	PISTON-LIMITER						
	129	6	2W-4999	1	SPRING-RETURN						
	130	6	4D-1322	1	RING-RETAINING						
	131	6	2W-4613	1	ROD-OUTPUT						
	132	6	2W-4635	1	LEVER-LIMITER						
	133	6	2W-4620	1	SEAT-SPRING						
	134	6	2W-5975	1	SCREW-BOLT (1/4-28X0.5-IN)						
	135	6	3L-6759	1	WASHER						
	136	6	2W-5014	1	ROD AS (LIMIT LINKAGE)						
	137	6	2W-4608	1	CAMSHAFT-LINK						
	138	6	2W-5011	1	LEVER AS (LIMIT FLOATING)						

AVAILABLE REPAIR KIT(S) :

FUEL SYSTEM

4W-7241 GOVERNOR GP (contd.)

i02667610

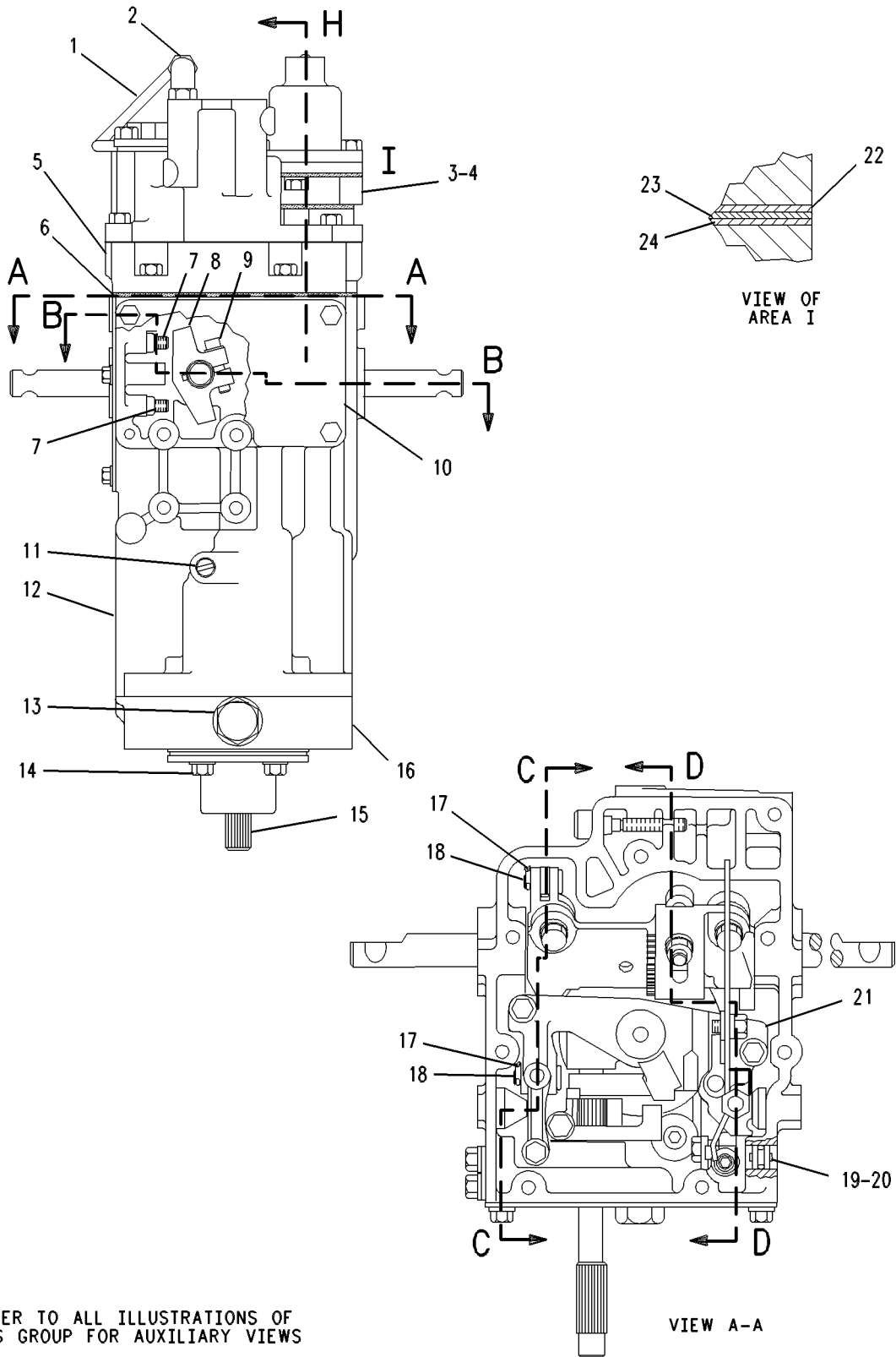
NOTE	REF NO	GRAPHIC REF	PART NUMBER	QTY	PART NAME						SEE PAGE
					1	2	3	4	5	6 (PRODUCT LEVEL)	
			4W-8207	1	KIT-FUEL RATIO CONTROL						
					(INCLUDES RINGS, SEALS, DIAPHRAGMS, PLATES, GASKETS, & PINS)						
			4W-8206	1	KIT-GOVERNOR REPAIR						
					(INCLUDES BEARINGS, RINGS, SEALS, & GASKETS)						
			4W-7628	1	KIT-GOVERNOR REPAIR						
					(INCLUDES BEARINGS, PINS, PACKINGS, RINGS, SEALS, GASKETS, & RACE)						

Y - SEPARATE ILLUSTRATION

FUEL SYSTEM

4W-7241 GOVERNOR GP (contd.)

102667610



REFER TO ALL ILLUSTRATIONS OF THIS GROUP FOR AUXILIARY VIEWS

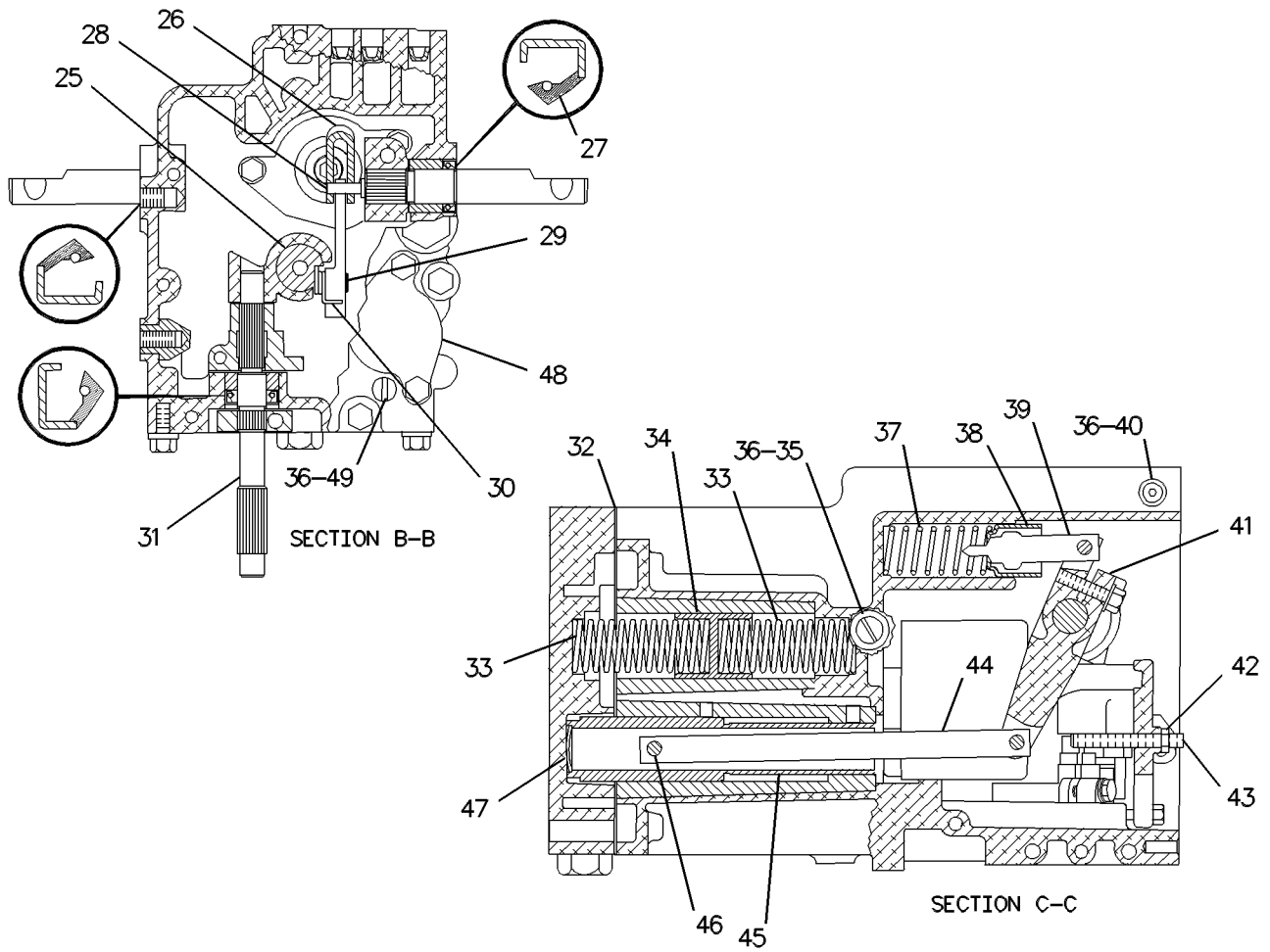
GRAPHIC #1

g00458927

FUEL SYSTEM

4W-7241 GOVERNOR GP (contd.)

i02667610



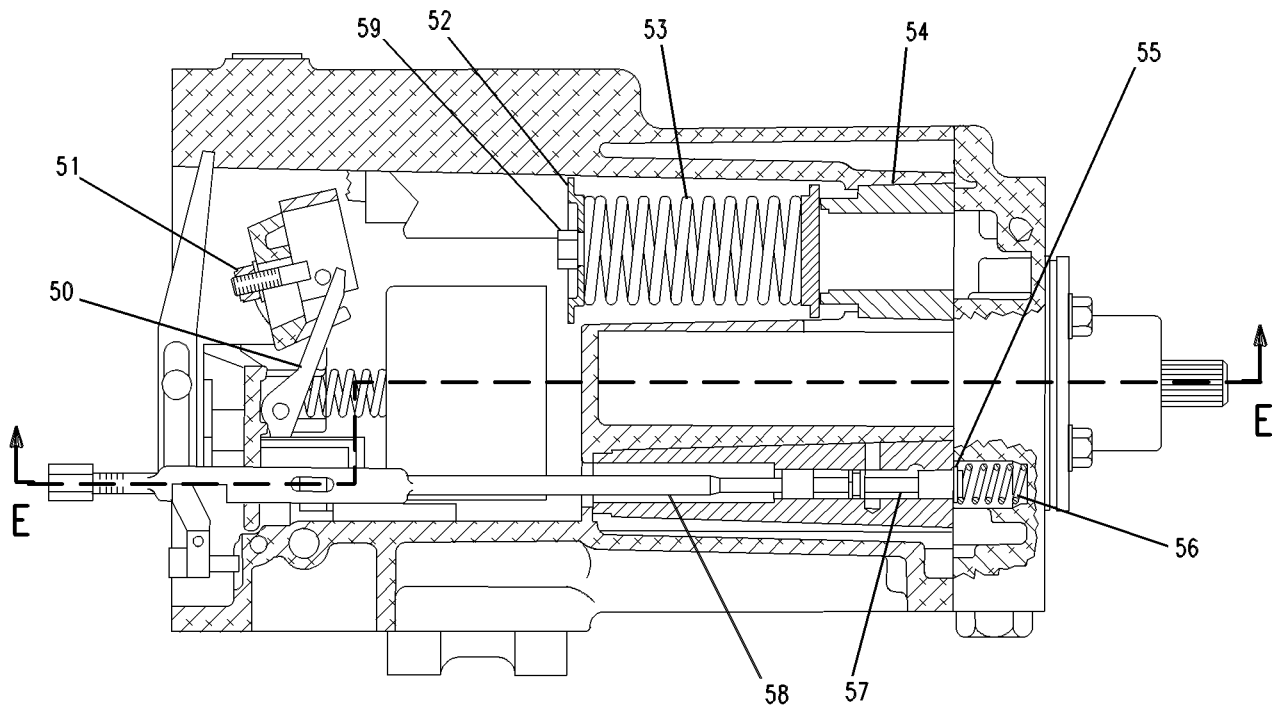
GRAPHIC #2

g00458928

FUEL SYSTEM

4W-7241 GOVERNOR GP (contd.)

102667610



SECTION D-D

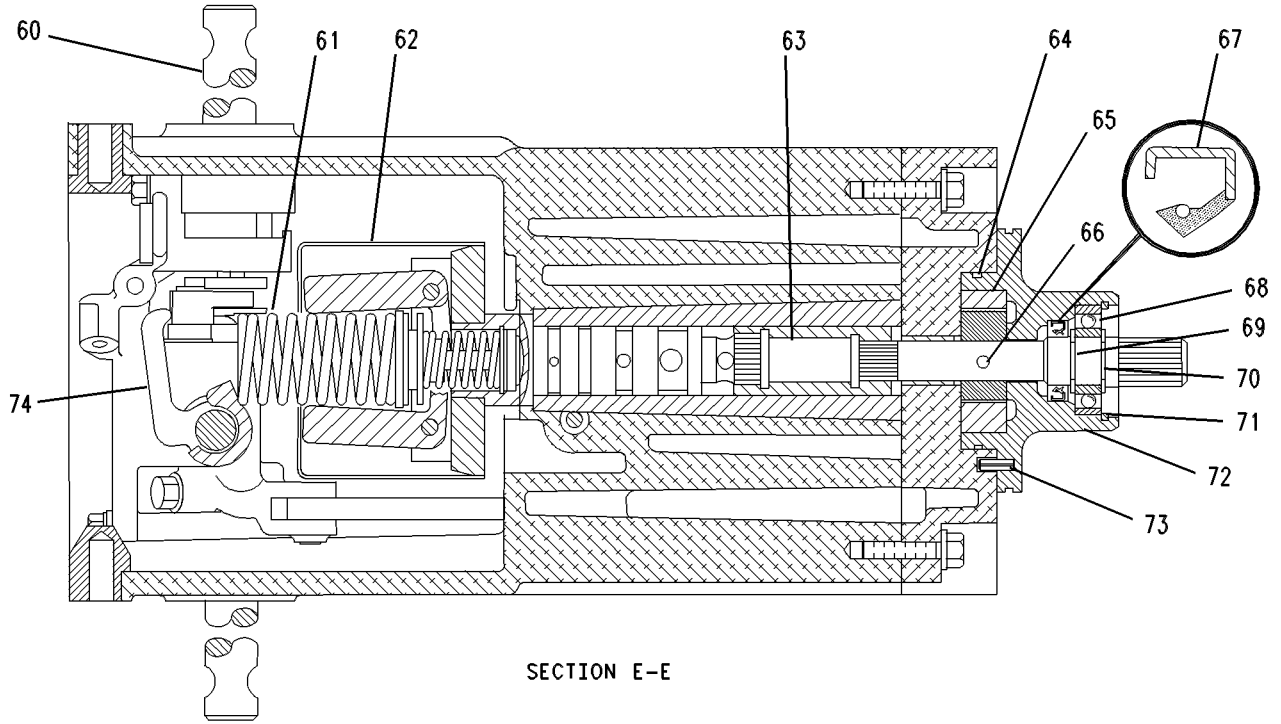
GRAPHIC #3

g00459051

FUEL SYSTEM

4W-7241 GOVERNOR GP (contd.)

i02667610



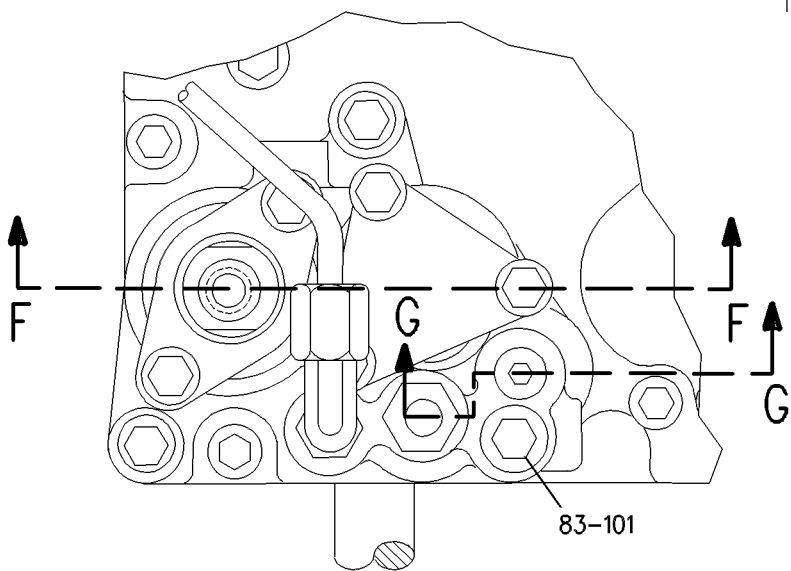
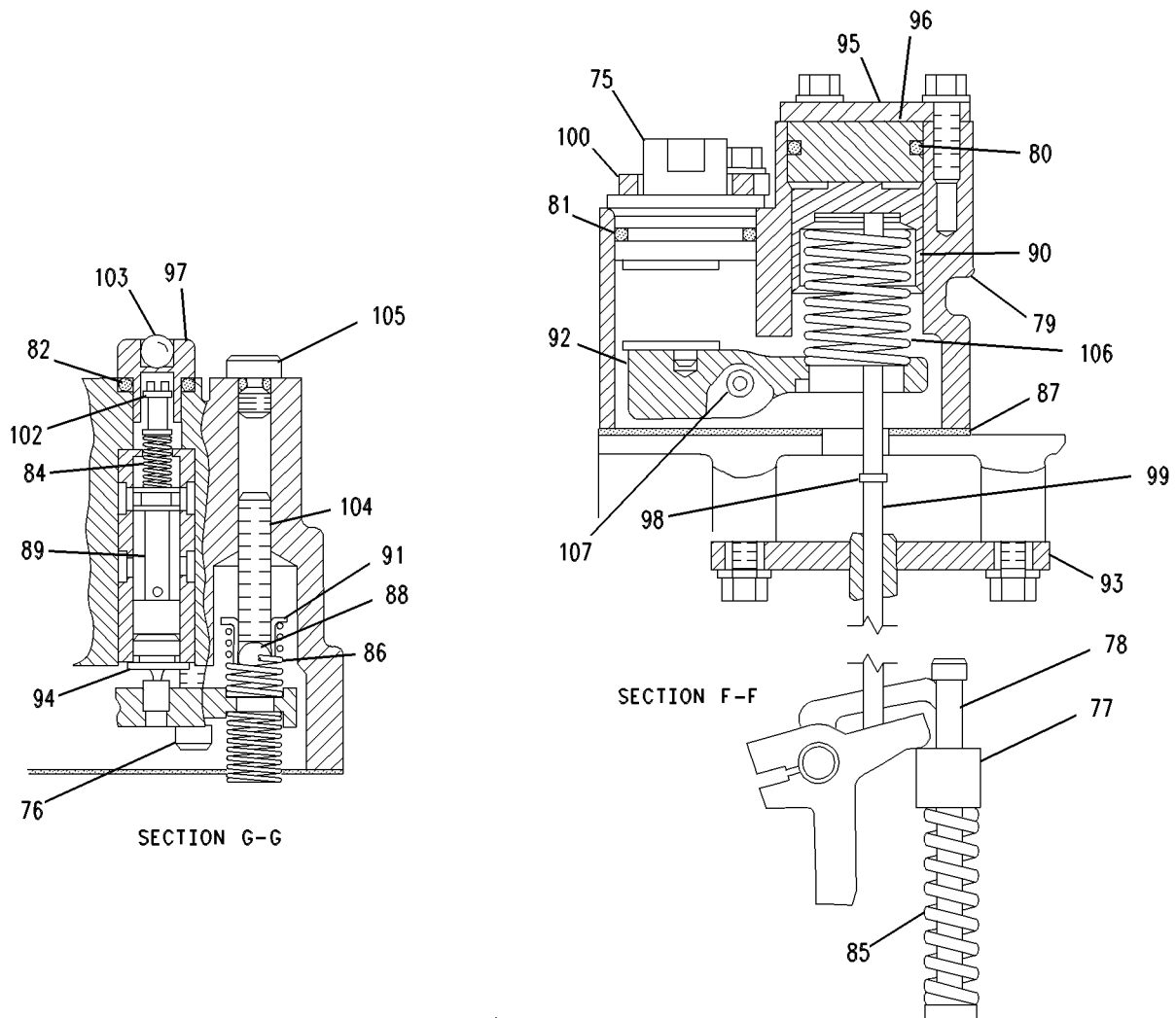
GRAPHIC #4

g00459052

FUEL SYSTEM

4W-7241 GOVERNOR GP (contd.)

102667610



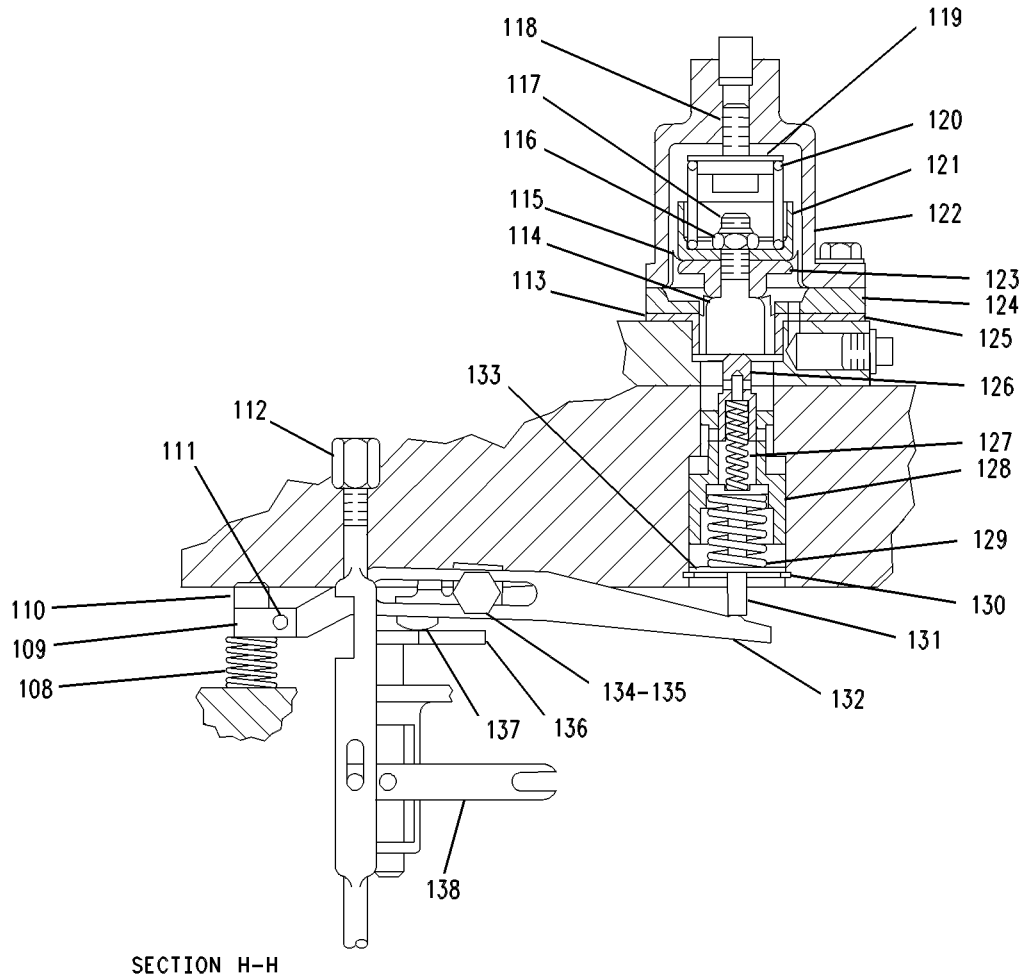
GRAPHIC #5

g00459053

FUEL SYSTEM

4W-7241 GOVERNOR GP (contd.)

i02667610



GRAPHIC #6

<END>

g00459054

FUEL SYSTEM

4W-7269 GOVERNOR GP PART OF 2W-8583, 2W-8585, 8N-6714 GOVERNOR GP AN ATTACHMENT

SMCS-1264, 1908

i00898267

NOTE	REF NO	GRAPHIC REF	PART NUMBER	QTY	PART NAME						SEE PAGE
					1	2	3	4	5	6 (PRODUCT LEVEL)	
	1	1	2W-4606	1	PLATE-ORIFICE						
	2	1	2W-0123	1	GASKET-PLATE						
Y	3	1	2W-0782	1	COVER GP-GOVERNOR						984
	4	1	1W-9781	1	GASKET-PLATE						
	5	1	2W-0778	1	COVER						
	6	1	1W-9780	1	GASKET						
	7	1	9L-9777	3	SETSCREW						
	8	1	2W-0446	1	STOP-LEVER						
	9	1	8H-0707	1	BOLT (1/4-20X1-IN)						
		1	3B-4504	1	LOCKWASHER						
	10	1	2W-0243	1	PLATE-IDENTIFICATION						
	11	1	2W-4315	1	VALVE-NEEDLE						
		1	2W-0224	1	SEAL-O-RING						
Y	12	1	2W-1458	1	HOUSING GP-GOVERNOR						1162
	13	1	9S-4185	2	PLUG (3/4-16-THD)						
		1	8L-2786	2	SEAL-O-RING						
	14	1	2W-0138	47	SCREW-FORMING (1/4-20X1-IN)						
	15	1	2W-0145	1	SHAFT-DRIVE						
	16	1	2W-0784	1	BASE						
	17	1	3B-4605	2	PIN-COTTER						
	18	1	4W-3176	2	PIN						
	19	1	2W-4624	1	PLUG-DETENT ADJUSTMENT						
	20	1	2W-0222	1	SEAL-O-RING						
	21	1	2W-0245	1	BRACKET AS						
	22	2	2W-4317	1	PLUG-SPRING						
	23	2	4W-7369	1	SLIDER AS-DROOP						
	24	2	2W-0282	4	SEAL-OIL						
	25	2	2W-4310	1	PIN						
	26	2	2W-4311	1	PIN						
	27	2	2W-4306	1	SPRING-LEVER						
	28	2	7C-0081	1	SHAFT						
	29	2	2W-0124	1	GASKET						
	30	2	7W-5314	2	SPRING-BUFFER						
	31	2	2W-4307	1	PISTON						
	32	2	2W-0774	1	PLUG AS						
	33	2	5P-7812	3	SEAL-O-RING						
	34	2	2W-0140	1	SPRING-RETURN						
	35	2	2W-4316	1	SEAT-LOADING						
	36	2	2W-4321	1	LINK-LOADING						
	37	2	2W-6891	1	PIN AS-ORIFICE						
	38	2	4W-3177	1	LEVER AS-TERMINAL						
	39	2	1B-4201	1	NUT-FULL (1/4-28-THD)						
	40	2	2W-4995	1	SETSCREW-SOCKET						
	41	2	2W-4305	1	LINK-CONNECTING						
	42	2	2W-4318	1	PISTON-SERVO						
	43	2	2W-6417	1	PIN-PISTON LINK						
	44	2	4W-3178	1	WASHER-WAVE						

FUEL SYSTEM

4W-7269 GOVERNOR GP (contd.)

i00898267

NOTE	REF NO	GRAPHIC REF	PART NUMBER	QTY	PART NAME 1 2 3 4 5 6 (PRODUCT LEVEL)	SEE PAGE
	45	2	2W-0776	1	COVER-SHUTDOWN	
		2	1W-9782	1	GASKET-SHUTOFF	
	46	2	2W-6890	1	PLUG-HEX SOCKET	
	47	3	2W-4323	1	LEVER-FLOATING	
	48	3	2F-3219	2	NUT-ELASTIC STOP	
		3	5P-0537	1	WASHER-HARD (7.2X14.5X2-MM THK)	
	49	3	2W-4324	1	SEAT-ACCUMULATOR	
	50	3	2W-1645	1	SPRING	
	51	3	2W-4319	1	PISTON	
	52	3	2H-3429	1	RING-RETAINING	
	53	3	2W-0283	1	SPRING-PLUNGER	
	54	3	2W-4313	1	PLUNGER-VALVE	
	55	3	2W-1646	1	ROD-SHUTOFF	
	56	3	5S-2184	1	BOLT (3/8-16X0.5-IN)	
	57	3	2W-0144	2	SHAFT-TERMINAL	
	58	3	7C-0078	1	SPRING	
Y	59	3	2W-1219	1	FLYWEIGHT GP	1030
	60	3	1W-9783	1	COUPLING AS	
	61	3	2W-0223	1	SEAL-O-RING	
	62	3	2W-0120	1	ELEMENT-GEROTOR MOTOR	
	63	3	2W-0127	1	PIN-PUMP DRIVE	
	64	3	2W-0282	1	SEAL-OIL	
	65	3	2W-0128	1	BALL BEARING	
	66	3	8F-4610	1	RING-RETAINING	
	67	3	6L-2113	1	RING-RETAINING	
	68	3	2W-0281	1	RING-RETAINING	
	69	3	2W-0126	1	HOUSING-PUMP	
	70	3	2W-3590	1	PIN-SPRING	
	71	3	2W-0447	1	LEVER-SETTING	
	72	4	2W-4994	1	SPRING	
	73	4	2W-5005	1	BLOCK-PIVOT	
	74	4	2W-5869	1	BOLT-SOCKET HEAD	
	75	4	2F-6721	1	PIN-RACK	
	76	4	2W-1228	1	NUT-SHUTDOWN ADJUSTMENT (1/4-28-THD)	
	77	4	2W-5012	1	GUIDE-DIAPHRAGM	
	78	4	2W-0122	1	DIAPHRAGM	
	79	4	2W-0121	1	DIAPHRAGM	
	80	4	2F-3219	2	NUT-ELASTIC STOP	
	81	4	7C-0082	1	SCREW AS-CLAMP	
	82	4	9L-9777	3	SETSCREW	
	83	4	7C-0080	1	SEAT-UPPER SPRING	
	84	4	4W-7652	1	SPRING-LIMITER	
	85	4	2W-4610	1	PISTON-LIMITER	
	86	4	4W-7367	1	COVER AS-LIMITER	
	87	4	2W-5001	1	SPACER	
	88	4	2W-5008	1	SPACER	
	89	4	2W-0142	1	GASKET-GUIDE	
	90	4	2W-4617	1	PLUNGER	
	91	4	2W-4997	1	SPRING-RETURN	
	92	4	2W-4626	1	PISTON-LIMITER	
	93	4	2W-4999	1	SPRING-RETURN	

FUEL SYSTEM

4W-7269 GOVERNOR GP (contd.)

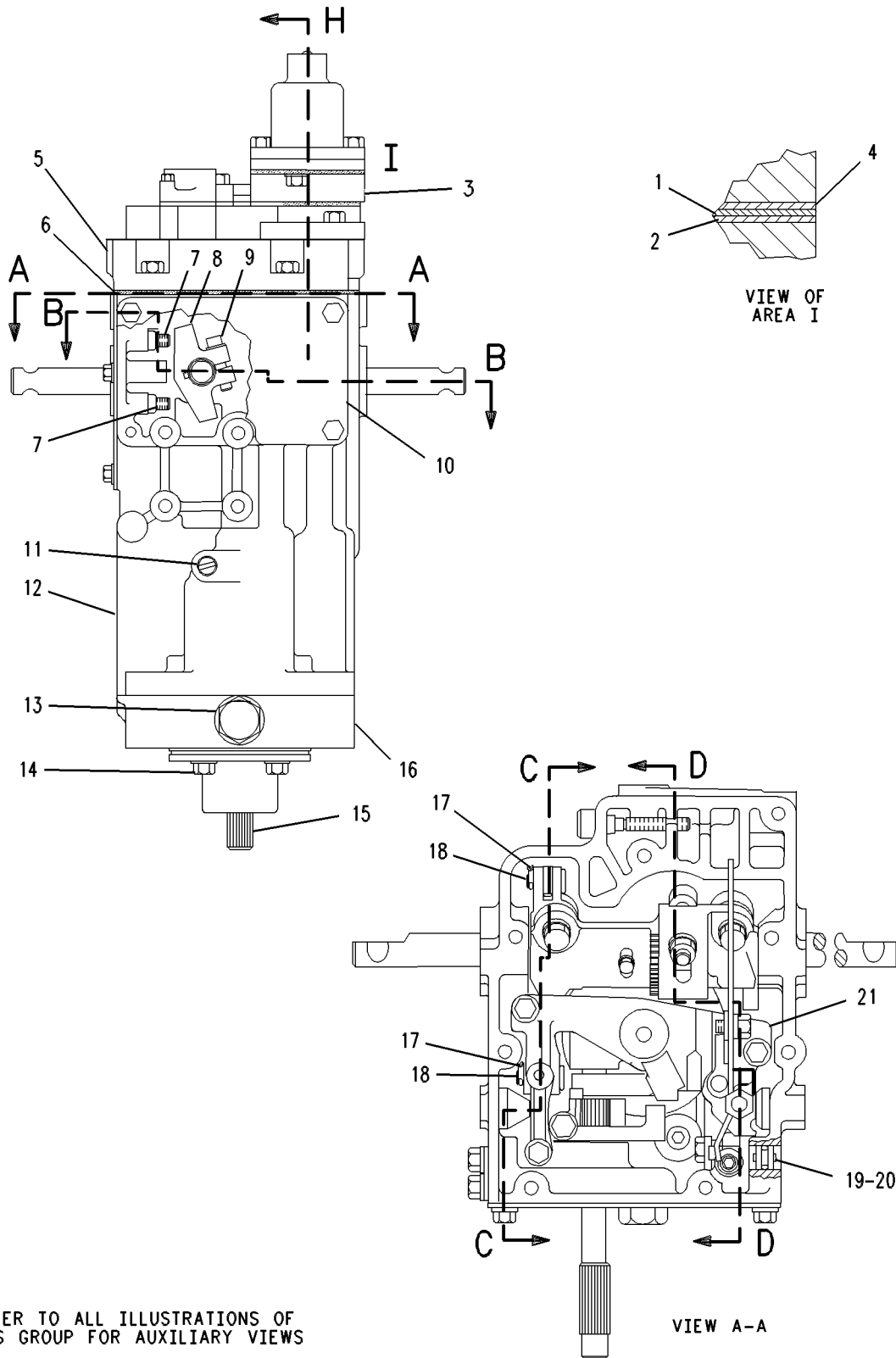
i00898267

NOTE	REF NO	GRAPHIC REF	PART NUMBER	QTY	PART NAME						SEE PAGE
					1	2	3	4	5	6 (PRODUCT LEVEL)	
	94	4	4D-1322	1	RING-RETAINING						
	95	4	2W-4613	1	ROD-OUTPUT						
	96	4	2W-4635	1	LEVER-LIMITER						
	97	4	2W-4620	1	SEAT-SPRING						
	98	4	2W-5975	1	SCREW-BOLT (1/4-28X0.5-IN)						
	99	4	3L-6759	1	WASHER						
	100	4	2W-5014	1	ROD AS						
	101	4	2W-4608	1	CAMSHAFT-LINK						
	102	4	2W-5011	1	LEVER AS						
					AVAILABLE REPAIR KIT(S):						
				4W-8207	1	KIT-FUEL RATIO CONTROL					
				(INCLUDES BEARING, RING, SEAL, & GASKETS)							
				4W-7628	1	KIT-GOVERNOR REPAIR					
				(INCLUDES BEARING, PIN, PACKING, RING, SEAL, RACE, & GASKETS)							
				RICK							
Y - SEPARATE ILLUSTRATION											

FUEL SYSTEM

4W-7269 GOVERNOR GP (contd.)

i00898267



REFER TO ALL ILLUSTRATIONS OF THIS GROUP FOR AUXILIARY VIEWS

VIEW A-A

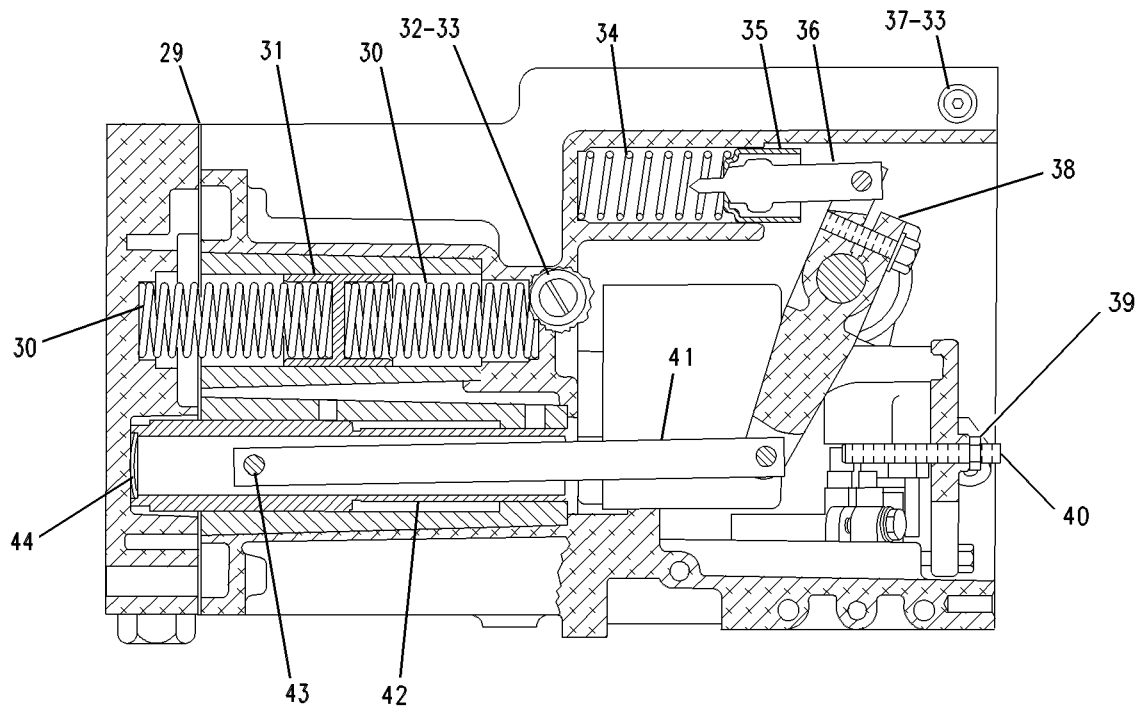
GRAPHIC #1

g00460465

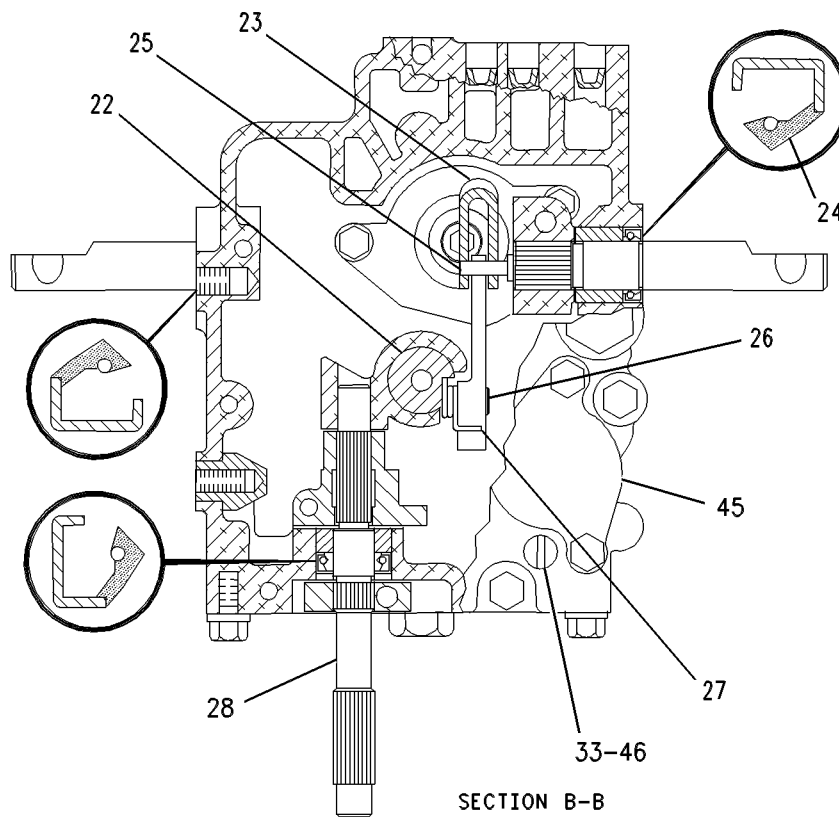
FUEL SYSTEM

4W-7269 GOVERNOR GP (contd.)

100898267



SECTION C-C



SECTION B-B

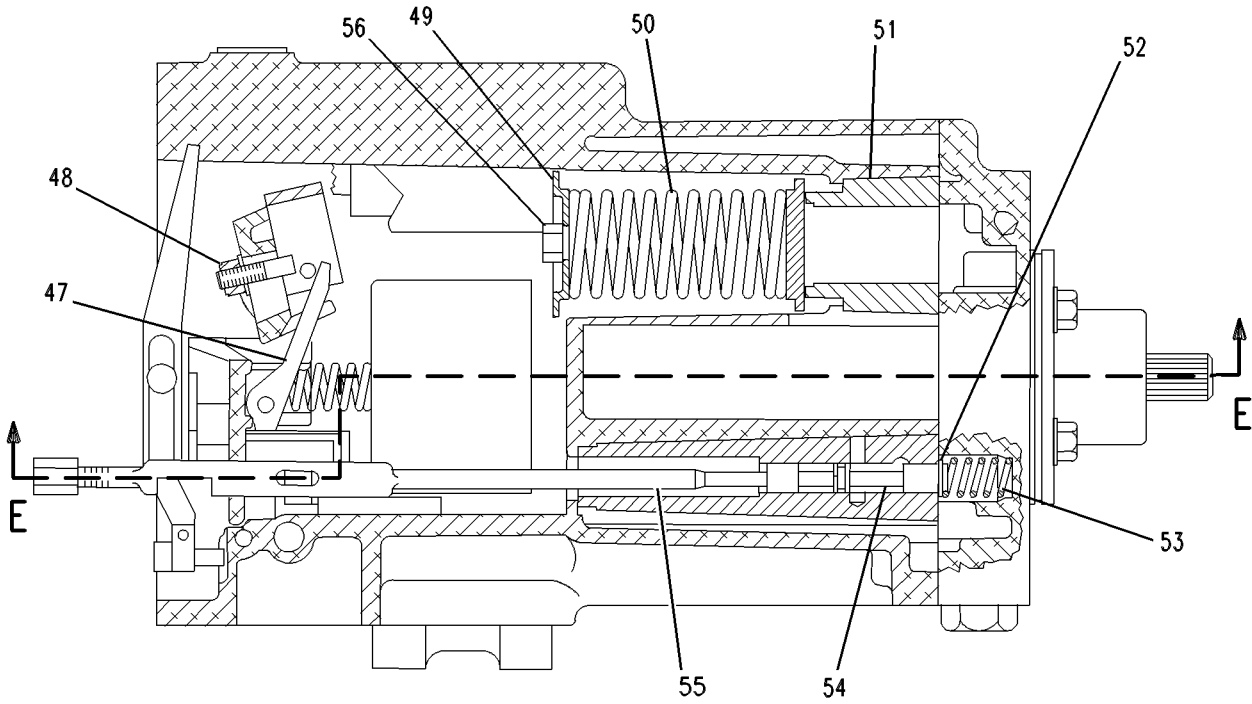
GRAPHIC #2

g00460466

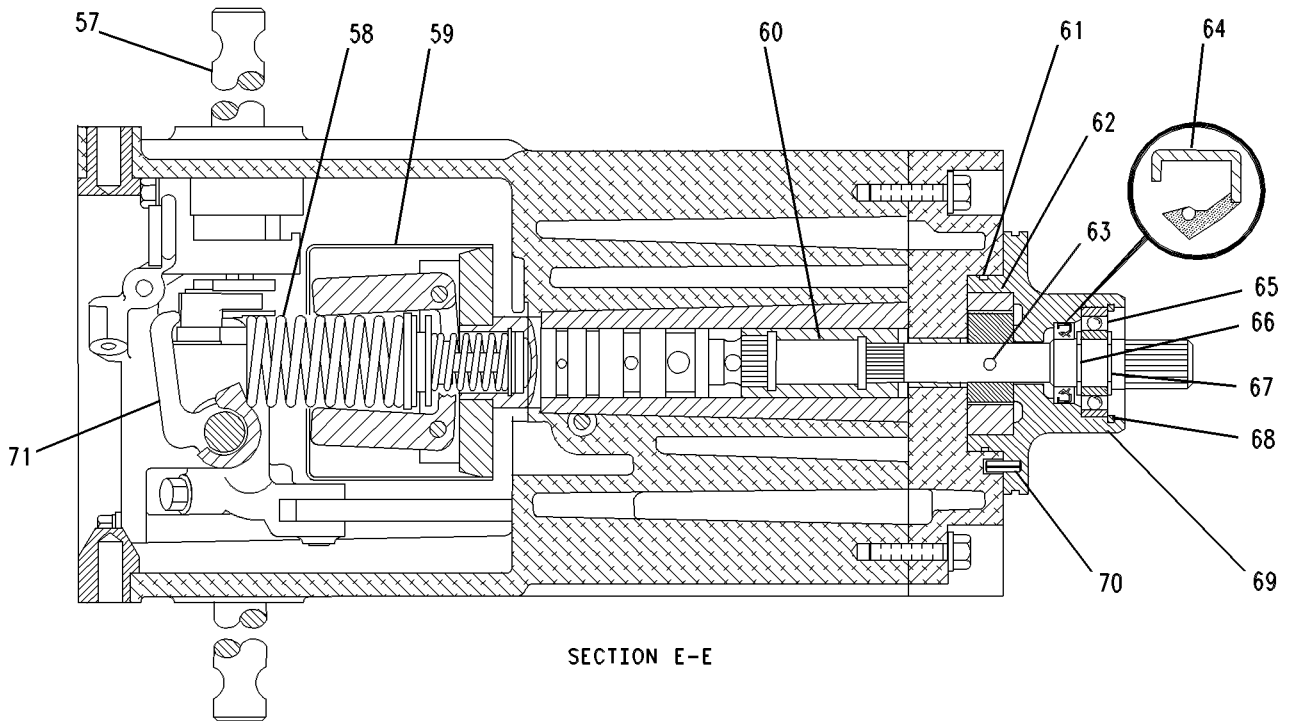
FUEL SYSTEM

4W-7269 GOVERNOR GP (contd.)

i00898267



SECTION D-D



SECTION E-E

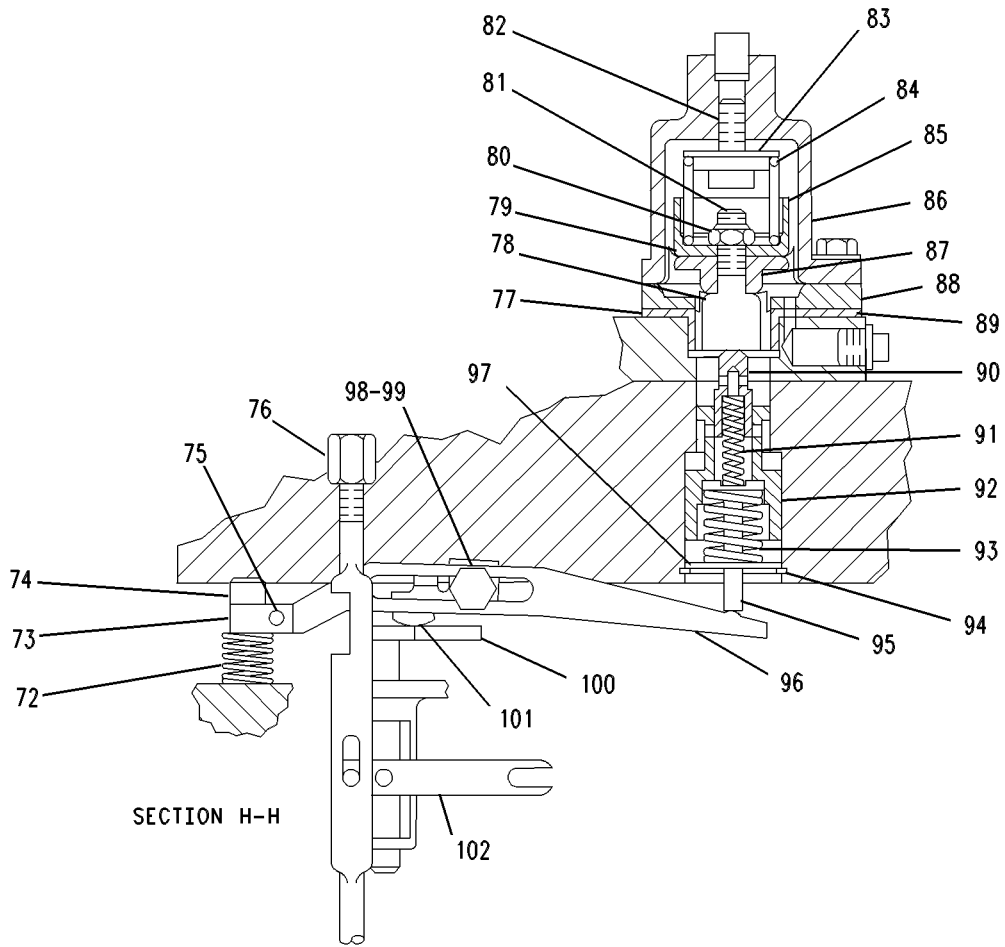
GRAPHIC #3

g00460547

FUEL SYSTEM

4W-7269 GOVERNOR GP (contd.)

i00898267



GRAPHIC #4

<END>

g00460548

FUEL SYSTEM

6I-0664 GOVERNOR GP*R PART OF 2W-8583, 8N-6714 GOVERNOR GP AN ATTACHMENT

SMCS-1264, 1908

i00883954

NOTE	REF NO	GRAPHIC REF	PART NUMBER	QTY	PART NAME						SEE PAGE
					1	2	3	4	5	6 (PRODUCT LEVEL)	
	1	1	2W-4320	1	COVER-STOP						
	2	1	9S-4182	1	PLUG (7/16-20-THD)						
		1	6V-5048	2	SEAL-O-RING						
	3	1	1W-9782	1	GASKET-SHUTOFF						
	4	1	2W-4304	1	SPRING-PIN						
	5	1	2W-0776	1	COVER-SHUTDOWN						
	6	1	1W-9780	1	GASKET						
	7	1	9L-9777	1	SETSCREW						
	8	1	7E-3449	1	STOP						
	9	1	8H-0707	9	BOLT (1/4-20X1-IN)						
	10	1	2W-0243	1	PLATE-IDENTIFICATION (LEVER & DROOP)						
	11	1	7E-0924	1	SCREW AS-STOP						
	12	1	7E-5563	2	BEARING-SHAFT						
	13	1	4P-6857	2	GASKET-PLATE						
	14	1	032-2580	30	SCREW-TAPPING (1/4-20X1-IN)						
Y	15	1	101-8238	1	CONTROL GP-FUEL RATIO						967
	16	1	7C-3985	1	BASE						
	17	1	7C-9642	2	PIN-COTTER						
	18	1	4W-3176	2	PIN						
	19	1	2W-0138	3	SCREW-FORMING (1/4-20X1-IN)						
	20	1	4P-4431	1	BRACKET AS						
	21	1	2W-4606	1	PLATE-ORIFICE						
	22	1	2W-4315	1	VALVE-NEEDLE						
	23	1	2W-0224	1	SEAL-O-RING						
	24	1	7E-5562	1	BEARING-SHAFT						
	25	1	9X-5999	1	BOLT (1/4-20X1-IN)						
	26	1	2W-4322	1	RETAINER-PIN						
	27	1	5P-7812	1	SEAL-O-RING						
	28	1	2W-0774	1	PLUG AS						
	29	1	2W-0222	1	SEAL-O-RING						
	30	1	2W-4624	1	PLUG-DETENT ADJUSTMENT						
	31	1	2W-0221	1	SEAL-O-RING						
	32	1	2K-3455	1	PIN-SPRING						
	33	1	2W-4314	1	PIN-ZEROING						
	34	2	032-2580	2	SCREW-TAPPING (1/4-20X1-IN)						
	35	2	2W-0148	1	SLIDER AS						
	36	2	2W-0282	3	SEAL-OIL						
	37	2	2W-4310	1	PIN						
	38	2	2F-3219	1	NUT-ELASTIC STOP						
	39	2	4W-3178	1	WASHER-WAVE (SPRING)						
	40	2	7E-0915	1	SHAFT-SETTING (SPEED)						
	41	2	2W-0124	1	GASKET						
	42	2	7C-4262	2	SPRING-BUFFER						
	43	2	2W-4307	1	PISTON						
	44	2	9S-4185	1	PLUG (3/4-16-THD)						
		2	8L-2786	1	SEAL-O-RING						
	45	2	5P-7812	1	SEAL-O-RING						

FUEL SYSTEM

6I-0664 GOVERNOR GP (contd.)

i00883954

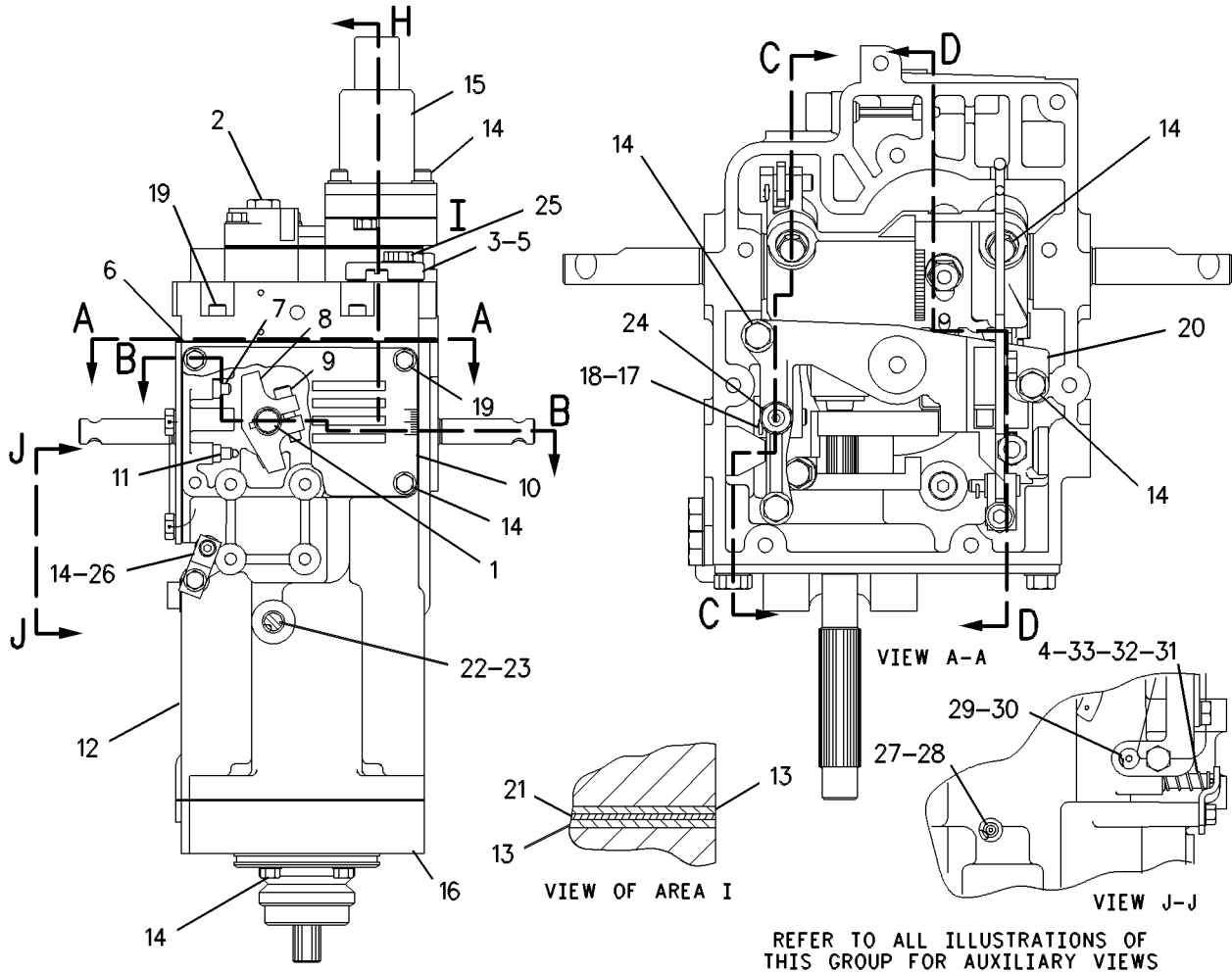
NOTE	REF NO	GRAPHIC REF	PART NUMBER	QTY	PART NAME						SEE PAGE
					1	2	3	4	5	6 (PRODUCT LEVEL)	
	46	2	2W-0140	1	SPRING-RETURN						
	47	2	2W-4316	1	SEAT-LOADING						
	48	2	2W-4321	1	LINK-LOADING						
	49	2	7C-3018	1	ORIFICE-GOVERNOR						
	50	2	4P-6864	1	LEVER AS-TERMINAL						
	51	2	4P-8144	1	PLUG AS						
	52	2	2W-4995	1	SETSCREW-SOCKET						
	53	2	2W-4305	1	LINK-CONNECTING						
	54	2	2W-4318	1	PISTON-SERVO						
	55	2	2W-6417	1	PIN-PISTON LINK						
	56	2	7C-3900	1	PLUG						
		2	5P-7812	1	SEAL-O-RING						
	57	3	2F-3219	1	NUT-ELASTIC STOP						
	58	3	5P-0537	1	WASHER-HARD (7.2X14.5X2-MM THK)						
	59	3	7E-0907	1	SCREW AS-DROOP						
	60	3	2W-1645	1	SPRING						
	61	3	2W-4319	1	PISTON						
	62	3	2H-3429	1	RING-RETAINING						
	63	3	2W-0283	1	SPRING-PLUNGER						
	64	3	4P-6927	1	VALVE AS-PILOT						
	65	3	2W-4324	1	SEAT-ACCUMULATOR						
	66	4	2W-0144	2	SHAFT-TERMINAL						
	67	4	7C-0078	1	SPRING						
	68	4	6I-3844	1	COVER AS-SETTING						
	69	4	7C-3988	1	COUPLING AS-DRIVE (SOLID)						
Y	70	4	6I-3842	1	PUMP GP-GEROTOR (GOVERNOR)						1256
	71	4	2W-0447	1	LEVER-SETTING						
	72	5	4P-6867	1	ROD AS-SHUTOFF						
	73	5	4P-6860	1	BLOCK-CAM						
	74	5	4P-6863	1	LEVER AS						
	75	5	4P-6861	1	ROD AS						
	76	5	2W-1228	1	NUT-SHUTDOWN ADJUSTMENT (1/4-28-THD)						
	77	5	3L-6759	1	WASHER						
	78	5	6I-3846	1	BUSHING-GUIDE						
	79	5	4P-6859	1	LEVER AS						
	80	5	2W-5975	1	SCREW-BOLT (1/4-28X0.5-IN)						

Y - SEPARATE ILLUSTRATION

FUEL SYSTEM

6I-0664 GOVERNOR GP (contd.)

i00883954



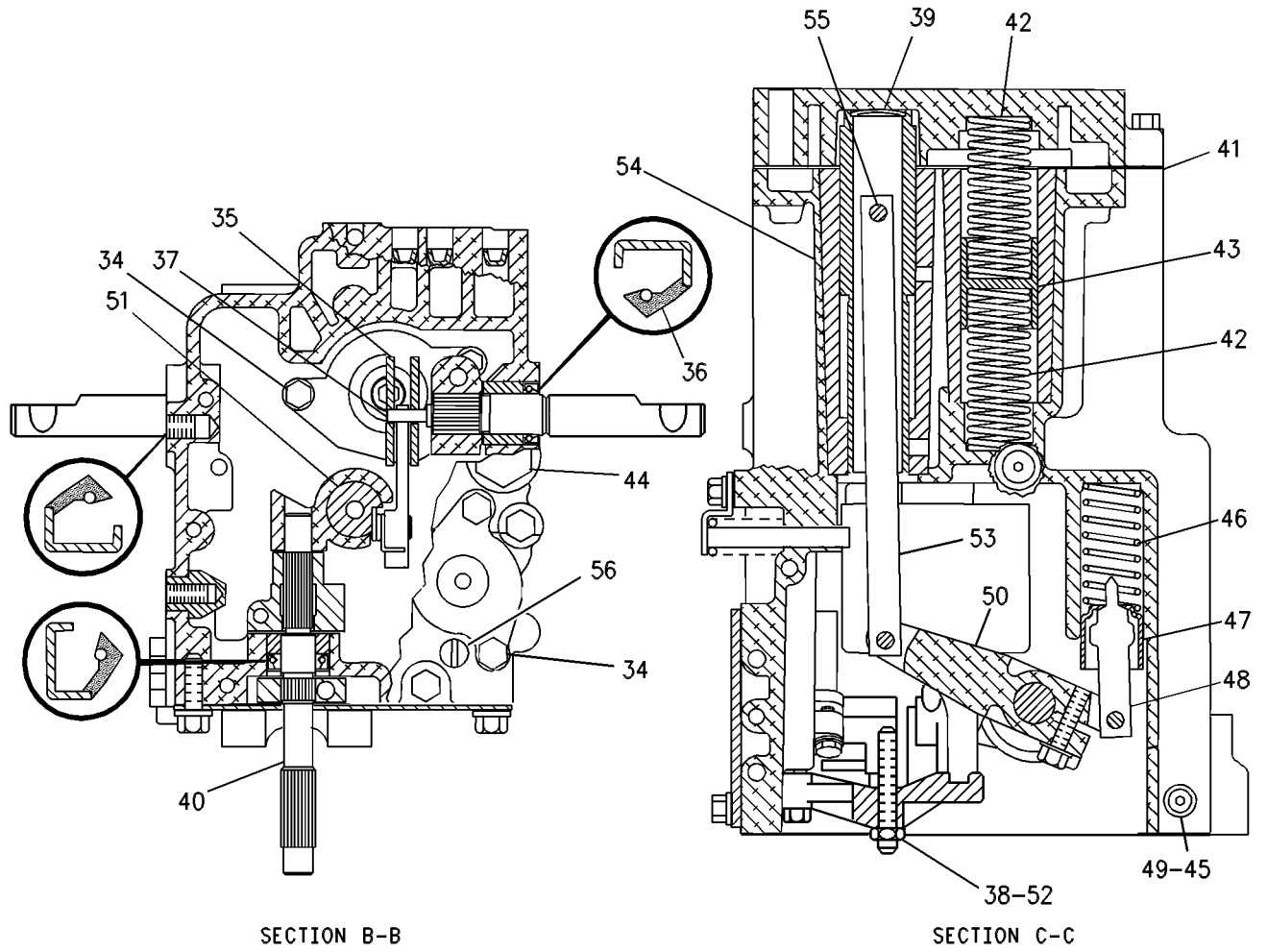
GRAPHIC #1

g00382835

FUEL SYSTEM

6I-0664 GOVERNOR GP (contd.)

i00883954



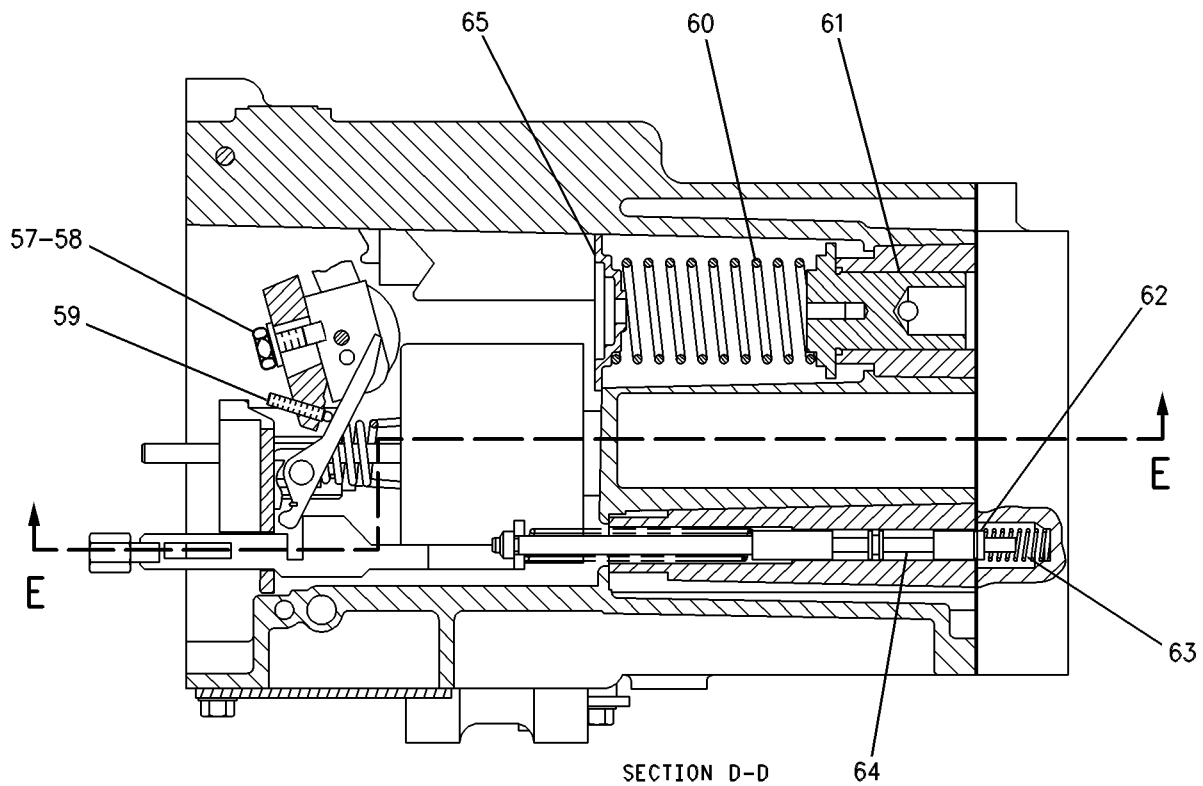
GRAPHIC #2

g00382836

FUEL SYSTEM

6I-0664 GOVERNOR GP (contd.)

i00883954



REFER TO ALL ILLUSTRATIONS OF
THIS GROUP FOR AUXILIARY VIEWS

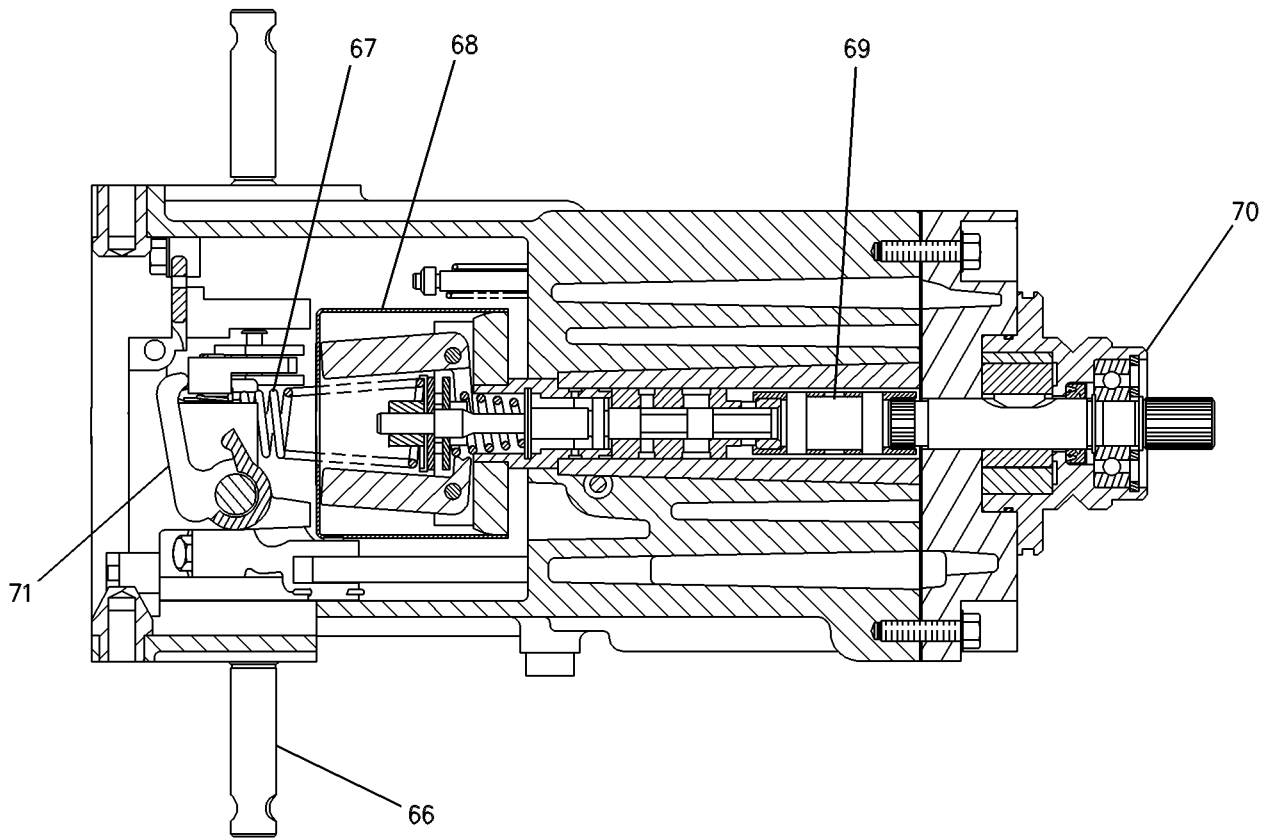
GRAPHIC #3

g00382837

FUEL SYSTEM

6I-0664 GOVERNOR GP (contd.)

100883954



SECTION E-E

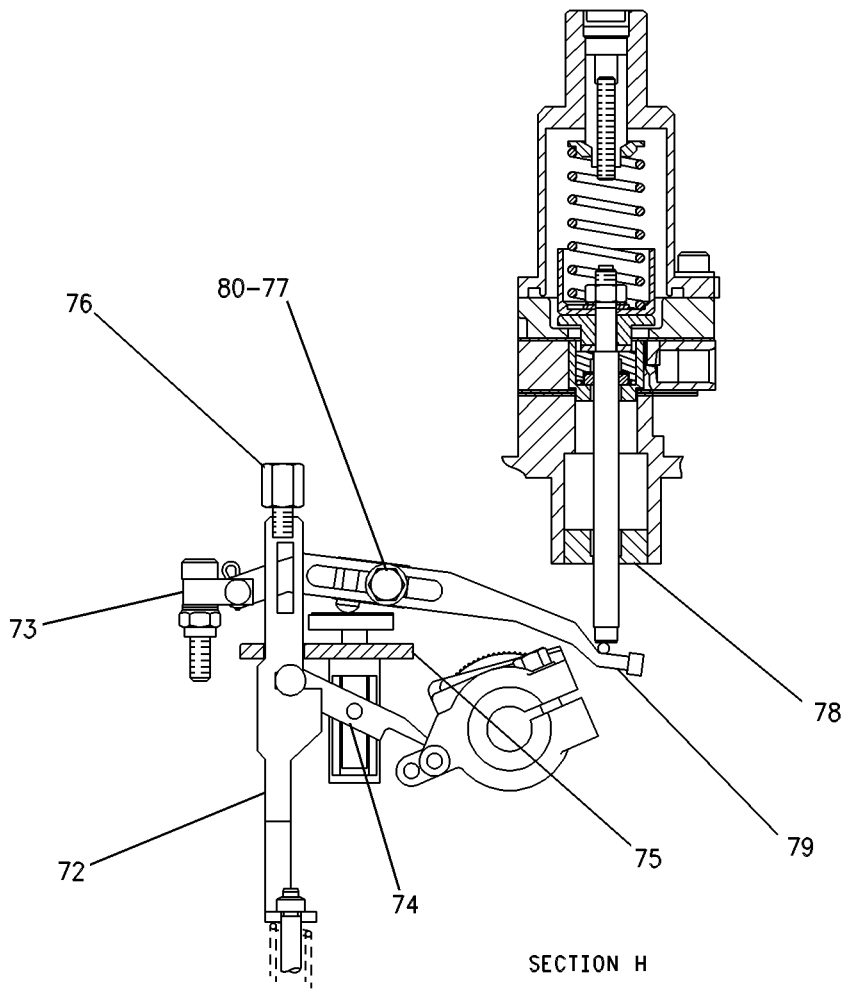
GRAPHIC #4

g00382838

FUEL SYSTEM

6I-0664 GOVERNOR GP (contd.)

i00883954



GRAPHIC #5

<END>

g00382839

FUEL SYSTEM

6I-0665 GOVERNOR GP*R

S/N: 50Y1078-1304; 66Z493-578

PART OF 1W-5021, 7W-3333, 8N-6712 GOVERNOR GP

ALSO AN ATTACHMENT

SMCS-1264, 1908

i02667616

NOTE	REF NO	GRAPHIC REF	PART NUMBER	QTY	PART NAME						SEE PAGE
					1	2	3	4	5	6 (PRODUCT LEVEL)	
	1	1	2W-4633	1	TUBE						
	2	1	030-7946	2	ELBOW						
		1	6V-5048	2	SEAL-O-RING						
	3	1	1W-9782	1	GASKET-SHUTOFF						
Y	4	1	4P-6538	1	CONTROL GP-GOVERNOR						978
	5	1	2W-0776	1	COVER-SHUTDOWN						
	6	1	1W-9780	1	GASKET						
	7	1	9L-9777	1	SETSCREW						
	8	1	7E-3449	1	STOP						
	9	1	8H-0707	1	BOLT (1/4-20X1-IN)						
	10	1	2W-0243	1	PLATE-IDENTIFICATION						
	11	1	7E-0924	1	SCREW AS-STOP						
	12	1	7E-5563	2	BEARING-SHAFT						
	13	1	4P-6857	2	GASKET-PLATE						
	14	1	032-2580	30	SCREW-TAPPING (1/4-20X1-IN)						
Y	15	1	101-8238	1	CONTROL GP-FUEL RATIO						967
	16	1	7C-3985	1	BASE						
	17	1	7C-9642	2	PIN-COTTER						
	18	1	4W-3176	2	PIN						
	19	1	2W-0138	4	SCREW-FORMING (1/4-20X1-IN)						
	20	1	4P-4431	1	BRACKET AS						
	21	1	2W-4606	1	PLATE-ORIFICE						
	22	1	2W-4315	1	VALVE-NEEDLE						
	23	1	2W-0224	1	SEAL-O-RING						
	24	1	7E-5562	1	BEARING-SHAFT						
	25	1	9X-5999	1	BOLT (1/4-20X1-IN)						
	26	1	2W-4322	1	RETAINER-PIN						
	27	1	5P-7812	1	SEAL-O-RING						
	28	1	2W-0774	1	PLUG AS						
	29	1	2W-0222	1	SEAL-O-RING						
	30	1	2W-4624	1	PLUG-DETENT ADJUSTMENT						
	31	1	2W-0221	1	SEAL-O-RING						
	32	1	2K-3455	1	PIN-SPRING						
	33	1	2W-4314	1	PIN-ZEROING						
	34	1	2W-4304	1	SPRING-PIN						
	35	1	2W-4320	1	COVER-STOP						
	36	1	8L-3161	2	NUT-FLARED (7/16-20-THD)						
		1	8L-3162	2	SLEEVE-FLARED						
	37	2	032-2580	6	SCREW-TAPPING (1/4-20X1-IN)						
	38	2	2W-0148	1	SLIDER AS						
	39	2	2W-0282	3	SEAL-OIL						
	40	2	2W-4310	1	PIN						
	41	2	2F-3219	1	NUT-ELASTIC STOP						
	42	2	4W-3178	1	WASHER-WAVE (SPRING)						
	43	2	7E-0915	1	SHAFT-SETTING (SPEED)						
	44	2	2W-0124	1	GASKET						

FUEL SYSTEM

6I-0665 GOVERNOR GP (contd.)

i02667616

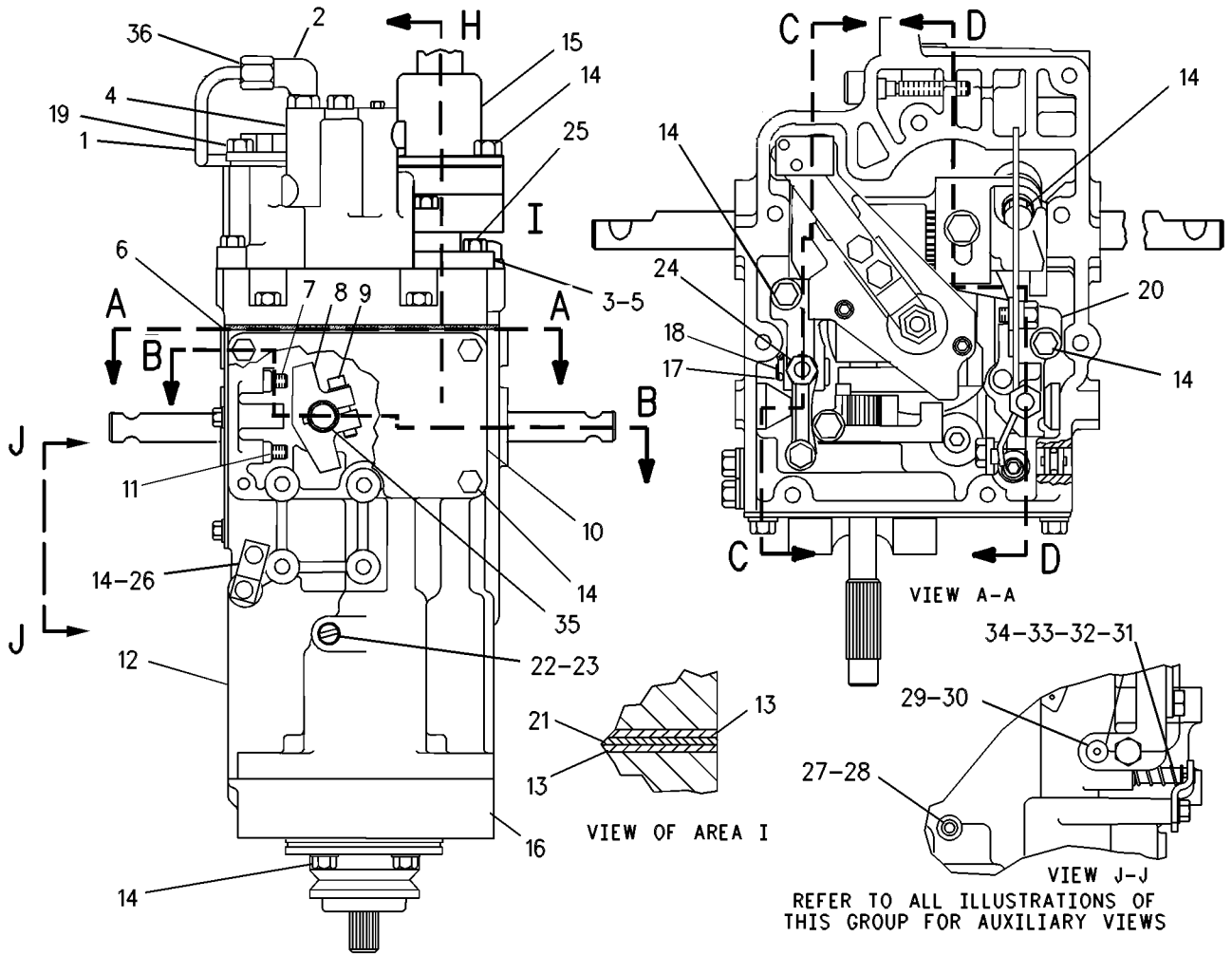
NOTE	REF NO	GRAPHIC REF	PART NUMBER	QTY	PART NAME						SEE PAGE
					1	2	3	4	5	6 (PRODUCT LEVEL)	
	45	2	7C-4262	2	SPRING-BUFFER						
	46	2	2W-4307	1	PISTON						
	47	2	9S-4185	1	PLUG (3/4-16-THD)						
		2	8L-2786	1	SEAL-O-RING						
	48	2	5P-7812	1	SEAL-O-RING						
	49	2	2W-0140	1	SPRING-RETURN						
	50	2	2W-4316	1	SEAT-LOADING						
	51	2	2W-4321	1	LINK-LOADING						
	52	2	7C-3018	1	ORIFICE-GOVERNOR						
	53	2	4P-6864	1	LEVER AS-TERMINAL						
	54	2	4P-8144	1	PLUG AS						
	55	2	2W-4995	1	SETSCREW-SOCKET						
	56	2	2W-4305	1	LINK-CONNECTING						
	57	2	2W-4318	1	PISTON-SERVO						
	58	2	2W-6417	1	PIN-PISTON LINK						
	59	3	2F-3219	1	NUT-ELASTIC STOP						
	60	3	5P-0537	1	WASHER-HARD (7.2X14.5X2-MM THK)						
	61	3	7E-0907	1	SCREW AS-DROOP						
	62	3	2W-1645	1	SPRING						
	63	3	2W-4319	1	PISTON						
	64	3	2H-3429	1	RING-RETAINING						
	65	3	2W-0283	1	SPRING-PLUNGER						
	66	3	4P-6927	1	VALVE AS-PILOT						
	67	3	2W-4324	1	SEAT-ACCUMULATOR						
	68	4	2W-0144	2	SHAFT-TERMINAL						
	69	4	7C-0078	1	SPRING						
	70	4	6I-3844	1	COVER AS-SETTING						
	71	4	7C-3988	1	COUPLING AS-DRIVE (SOLID)						
Y	72	4	6I-3842	1	PUMP GP-GEROTOR (GOVERNOR)						1256
	73	4	2W-0447	1	LEVER-SETTING						
	74	5	7C-3900	1	PLUG						
		5	5P-7812	1	SEAL-O-RING						
	75	5	2W-1476	1	SPRING						
	76	5	2W-4619	1	SEAT						
	77	5	2W-5916	1	SCREW (1/4-28X4.5-IN)						
	78	5	7C-0077	1	GUIDE AS-ROD						
	79	5	2W-4622	1	ROD						
	80	5	5P-4672	1	RING-RETAINING						
	81	5	8H-0707	8	BOLT (1/4-20X1-IN)						
	82	5	032-2580	2	SCREW-TAPPING (1/4-20X1-IN)						
	83	6	4P-6867	1	ROD AS-SHUTOFF						
	84	6	4P-6860	1	BLOCK-CAM						
	85	6	4P-6863	1	LEVER AS						
	86	6	4P-6861	1	ROD AS						
	87	6	2W-1228	1	NUT-SHUTDOWN ADJUSTMENT (1/4-28-THD)						
	88	6	3L-6759	1	WASHER						
	89	6	6I-3846	1	BUSHING-GUIDE						
	90	6	4P-6859	1	LEVER AS						
	91	6	2W-5975	1	SCREW-BOLT (1/4-28X0.5-IN)						

Y - SEPARATE ILLUSTRATION

FUEL SYSTEM

6I-0665 GOVERNOR GP (contd.)

i02667616



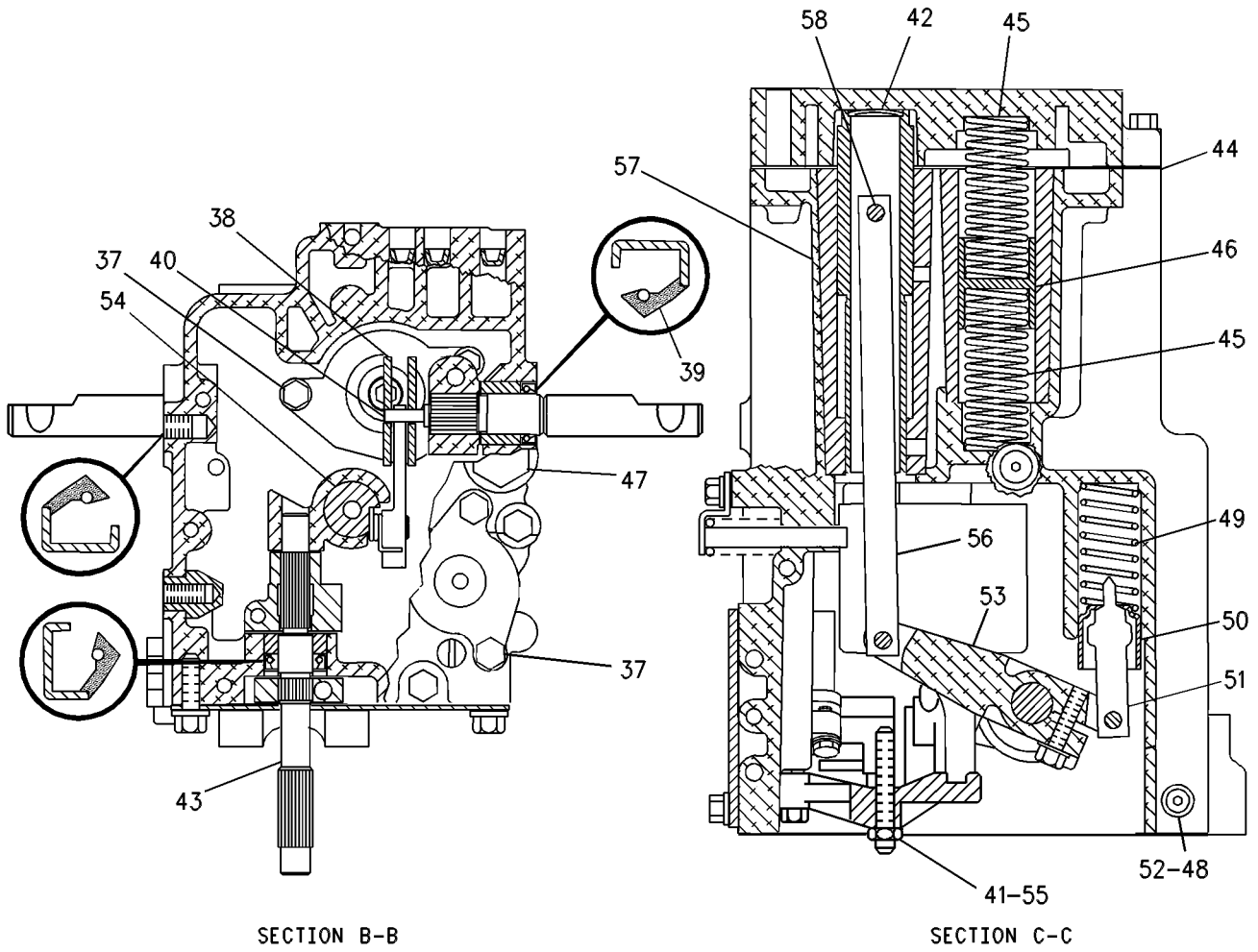
GRAPHIC #1

g00382840

FUEL SYSTEM

6I-0665 GOVERNOR GP (contd.)

i02667616



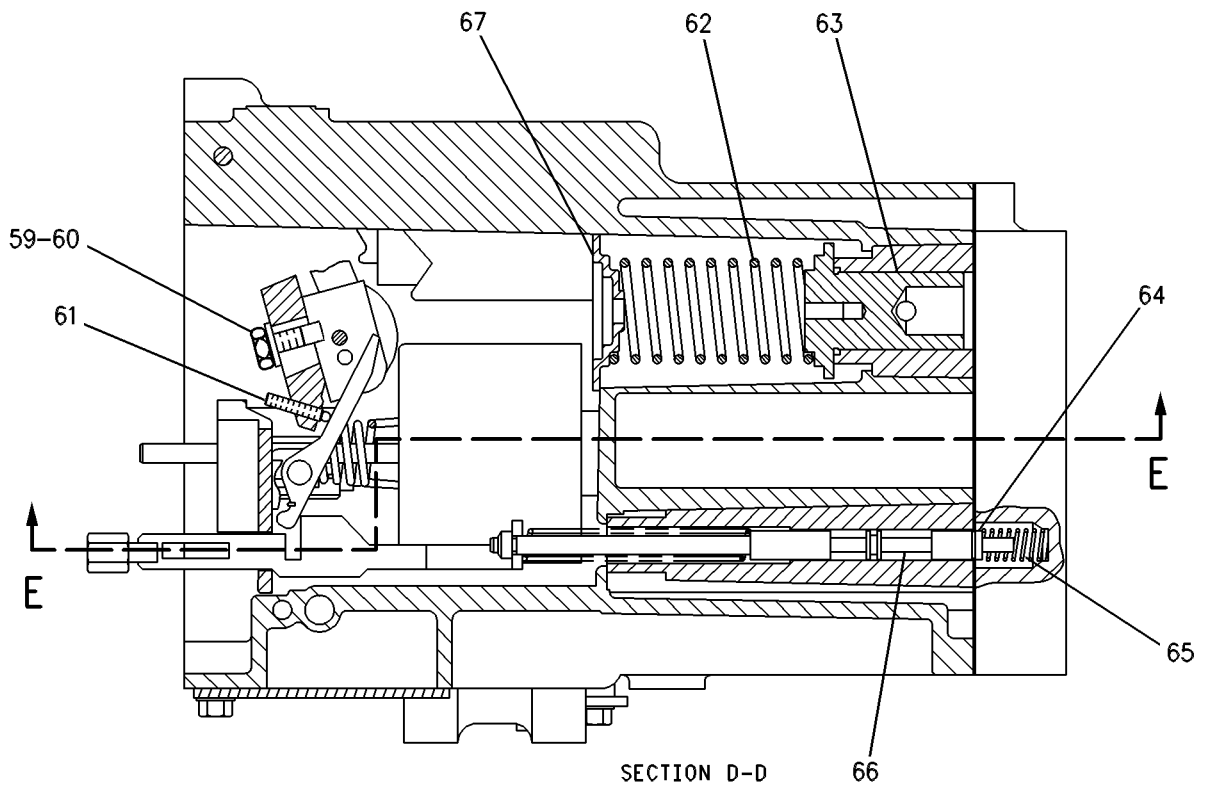
GRAPHIC #2

g00382841

FUEL SYSTEM

6I-0665 GOVERNOR GP (contd.)

102667616



REFER TO ALL ILLUSTRATIONS OF
THIS GROUP FOR AUXILIARY VIEWS

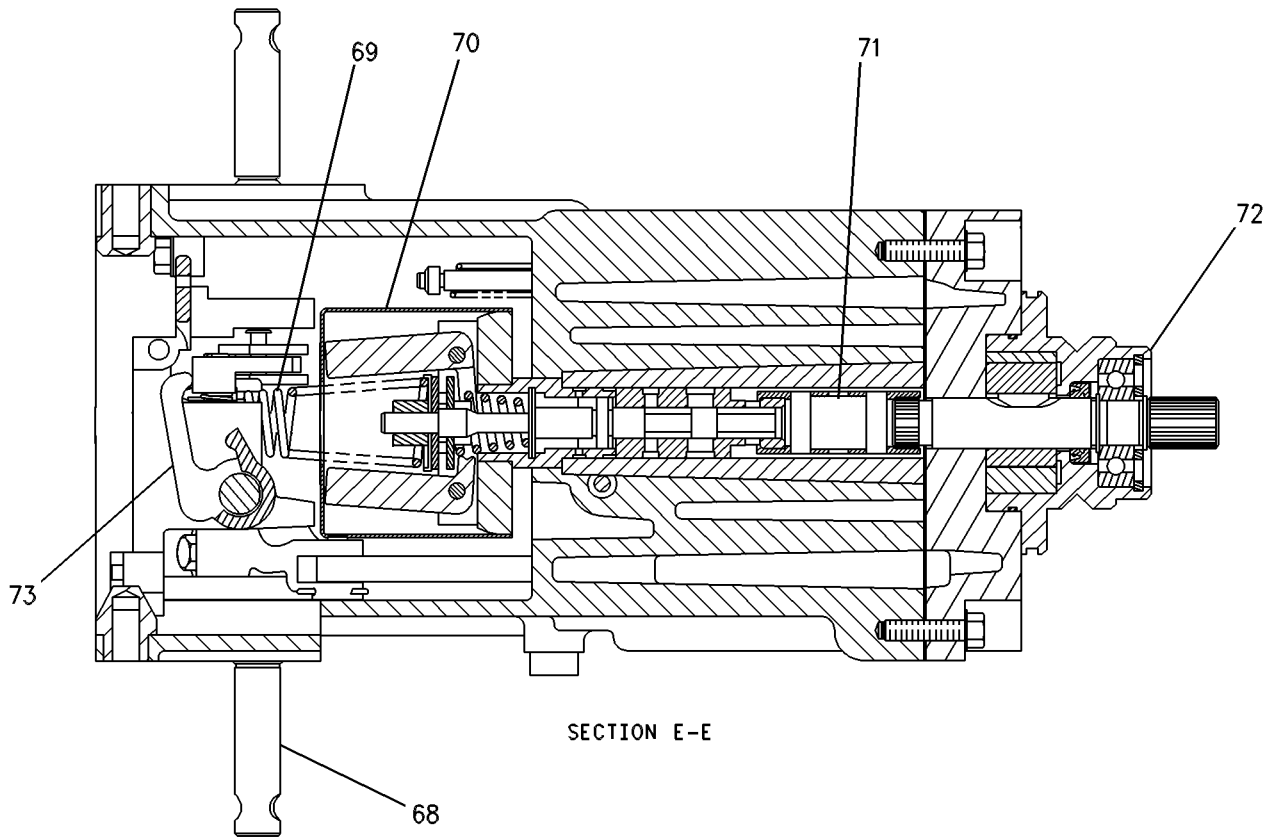
GRAPHIC #3

g00382842

FUEL SYSTEM

6I-0665 GOVERNOR GP (contd.)

102667616



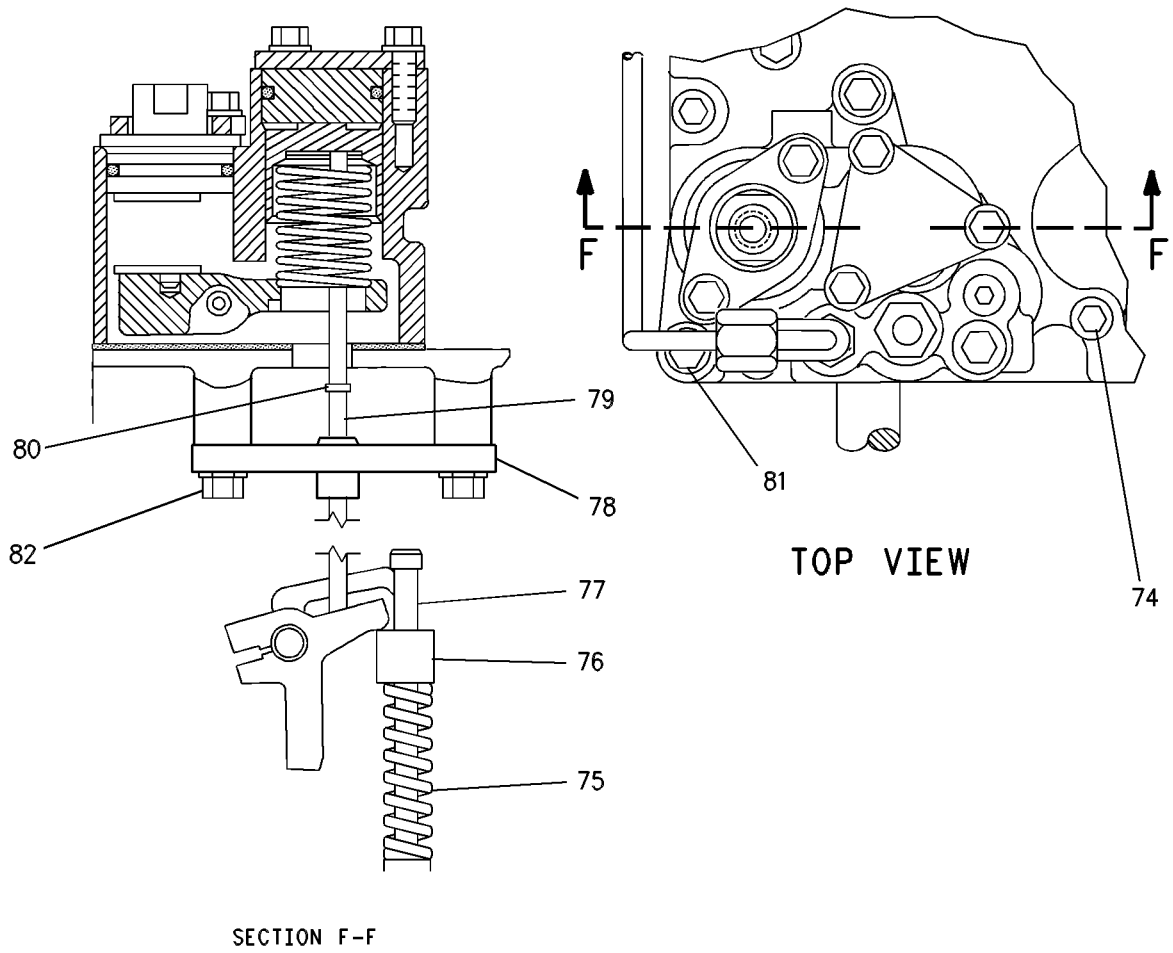
GRAPHIC #4

g00382843

FUEL SYSTEM

6I-0665 GOVERNOR GP (contd.)

102667616



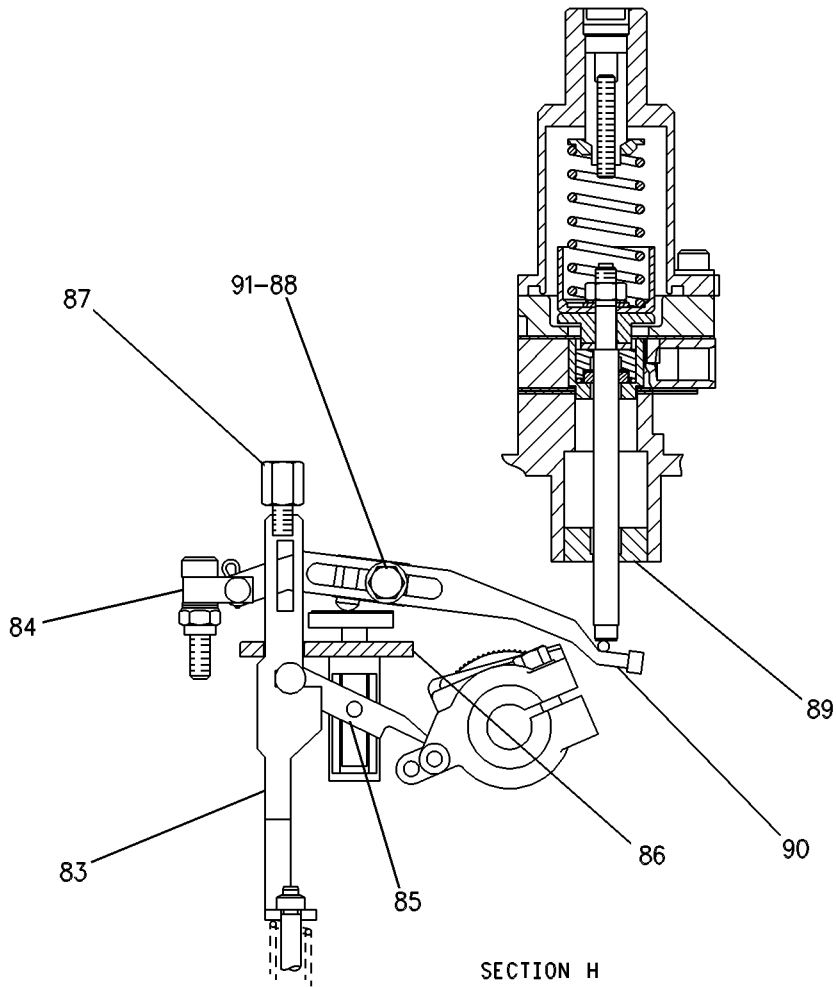
GRAPHIC #5

g00382844

FUEL SYSTEM

6I-0665 GOVERNOR GP (contd.)

102667616



GRAPHIC #6

<END>

g00382845

FUEL SYSTEM

7C-0083 GOVERNOR GP

S/N: 50Y667-712; 66Z198-220

PART OF 1W-5017, 1W-5021, 8N-6712 GOVERNOR GP

ALSO AN ATTACHMENT

SMCS-1264, 1908

i00883963

NOTE	REF NO	GRAPHIC REF	PART NUMBER	QTY	PART NAME						SEE PAGE
					1	2	3	4	5	6 (PRODUCT LEVEL)	
	1	1	2W-4633	1	TUBE						
	2	1	030-7946	2	ELBOW						
		1	6V-5048	2	SEAL-O-RING						
Y	3	1	2W-0782	1	COVER GP-GOVERNOR						984
	4	1	9S-4185	1	PLUG (3/4-16-THD)						
		1	8L-2786	1	SEAL-O-RING						
	5	1	2W-0779	1	COVER						
	6	1	1W-9780	1	GASKET						
	7	1	9L-9777	2	SETSCREW						
	8	1	2W-0446	1	STOP-LEVER						
	9	1	8H-0707	1	BOLT (1/4-20X1-IN)						
		1	3B-4504	1	LOCKWASHER						
	10	1	2W-0243	1	PLATE-IDENTIFICATION						
	11	1	2W-4315	1	VALVE-NEEDLE						
		1	2W-0224	1	SEAL-O-RING						
Y	12	1	2W-1458	1	HOUSING GP-GOVERNOR						1162
	13	1	2W-0138	50	SCREW-FORMING (1/4-20X1-IN)						
	14	1	7C-3985	1	BASE						
	15	1	3B-4605	2	PIN-COTTER						
	16	1	4W-3176	2	PIN						
	17	1	2W-4624	1	PLUG-DETENT ADJUSTMENT						
	18	1	2W-0222	1	SEAL-O-RING						
	19	1	2W-0245	1	BRACKET AS						
	20	1	1W-9781	1	GASKET-PLATE						
	21	1	2W-4606	1	PLATE-ORIFICE						
	22	1	2W-0123	1	GASKET-PLATE						
Y	23	1	7C-3999	1	CONTROL GP-GOVERNOR						981
Y	24	1	7C-3998	1	CONTROL GP-FUEL RATIO						970
	25	2	2W-4317	1	PLUG-SPRING						
	26	2	4W-7369	1	SLIDER AS-DROOP						
	27	2	2W-0282	3	SEAL-OIL						
	28	2	2W-4310	1	PIN						
	29	2	2W-4311	1	PIN						
	30	2	2W-4306	1	SPRING-LEVER						
	31	2	7C-0081	1	SHAFT						
	32	2	2W-0124	1	GASKET						
	33	2	7W-5314	2	SPRING-BUFFER						
	34	2	2W-4307	1	PISTON						
	35	2	2W-0774	1	PLUG AS						
	36	2	5P-7812	3	SEAL-O-RING						
	37	2	2W-0140	1	SPRING-RETURN						
	38	2	2W-4316	1	SEAT-LOADING						
	39	2	2W-4321	1	LINK-LOADING						
	40	2	7C-3018	1	ORIFICE-GOVERNOR						
	41	2	4W-3177	1	LEVER AS-TERMINAL						
	42	2	1B-4201	1	NUT-FULL (1/4-28-THD)						

FUEL SYSTEM

7C-0083 GOVERNOR GP (contd.)

i00883963

NOTE	REF NO	GRAPHIC REF	PART NUMBER	QTY	PART NAME						SEE PAGE
					1	2	3	4	5	6 (PRODUCT LEVEL)	
	43	2	2W-4995	1	SETSCREW-SOCKET						
	44	2	2W-4305	1	LINK-CONNECTING						
	45	2	2W-4318	1	PISTON-SERVO						
	46	2	2W-6417	1	PIN-PISTON LINK						
	47	2	4W-3178	1	WASHER-WAVE						
	48	2	2W-0776	1	COVER-SHUTDOWN						
		2	1W-9782	1	GASKET-SHUTOFF						
	49	2	7C-3900	1	PLUG						
	50	3	2W-5874	1	LEVER-SETTING						
	51	3	2F-3219	1	NUT-ELASTIC STOP						
		3	5P-0537	1	WASHER-HARD (7.2X14.5X2-MM THK)						
	52	3	2W-4324	1	SEAT-ACCUMULATOR						
	53	3	2W-1645	1	SPRING						
	54	3	2W-4319	1	PISTON						
	55	3	2H-3429	1	RING-RETAINING						
	56	3	2W-0283	1	SPRING-PLUNGER						
	57	3	2W-4313	1	PLUNGER-VALVE						
	58	3	2W-1646	1	ROD-SHUTOFF						
	59	4	2W-0144	2	SHAFT-TERMINAL						
	60	4	7C-0078	1	SPRING						
Y	61	4	2W-0233	1	FLYWEIGHT GP						1028
	62	4	7C-3988	1	COUPLING AS-DRIVE						
Y	63	4	7C-3982	1	PUMP GP-GEAR (GOVERNOR)						1250
	64	4	2W-0447	1	LEVER-SETTING						
	65	5	2W-4622	1	ROD						
	66	5	5P-4672	1	RING-RETAINING						
	67	5	2W-5916	1	SCREW (1/4-28X4.5-IN)						
	68	5	2W-4619	1	SEAT						
	69	5	2W-1476	1	SPRING						
	70	5	7C-0077	1	GUIDE AS-ROD						
	71	6	2W-4994	1	SPRING						
	72	6	2W-5005	1	BLOCK-PIVOT						
	73	6	2W-5869	1	BOLT-SOCKET HEAD						
	74	6	2F-6721	1	PIN-RACK						
	75	6	2W-1228	1	NUT-SHUTDOWN ADJUSTMENT (1/4-28-THD)						
	76	6	2W-4620	1	SEAT-SPRING						
	77	6	2W-4617	1	PLUNGER						
	78	6	2W-4997	1	SPRING-RETURN						
	79	6	2W-4626	1	PISTON-LIMITER						
	80	6	2W-4999	1	SPRING-RETURN						
	81	6	4D-1322	1	RING-RETAINING						
	82	6	2W-4613	1	ROD-OUTPUT						
	83	6	2W-4635	1	LEVER-LIMITER						
	84	6	2W-5975	1	SCREW-BOLT (1/4-28X0.5-IN)						
		6	3L-6759	1	WASHER						
	85	6	2W-5014	1	ROD AS						
	86	6	2W-4608	1	CAMSHAFT-LINK						
	87	6	2W-5011	1	LEVER AS						

AVAILABLE REPAIR KIT(S) :

FUEL SYSTEM

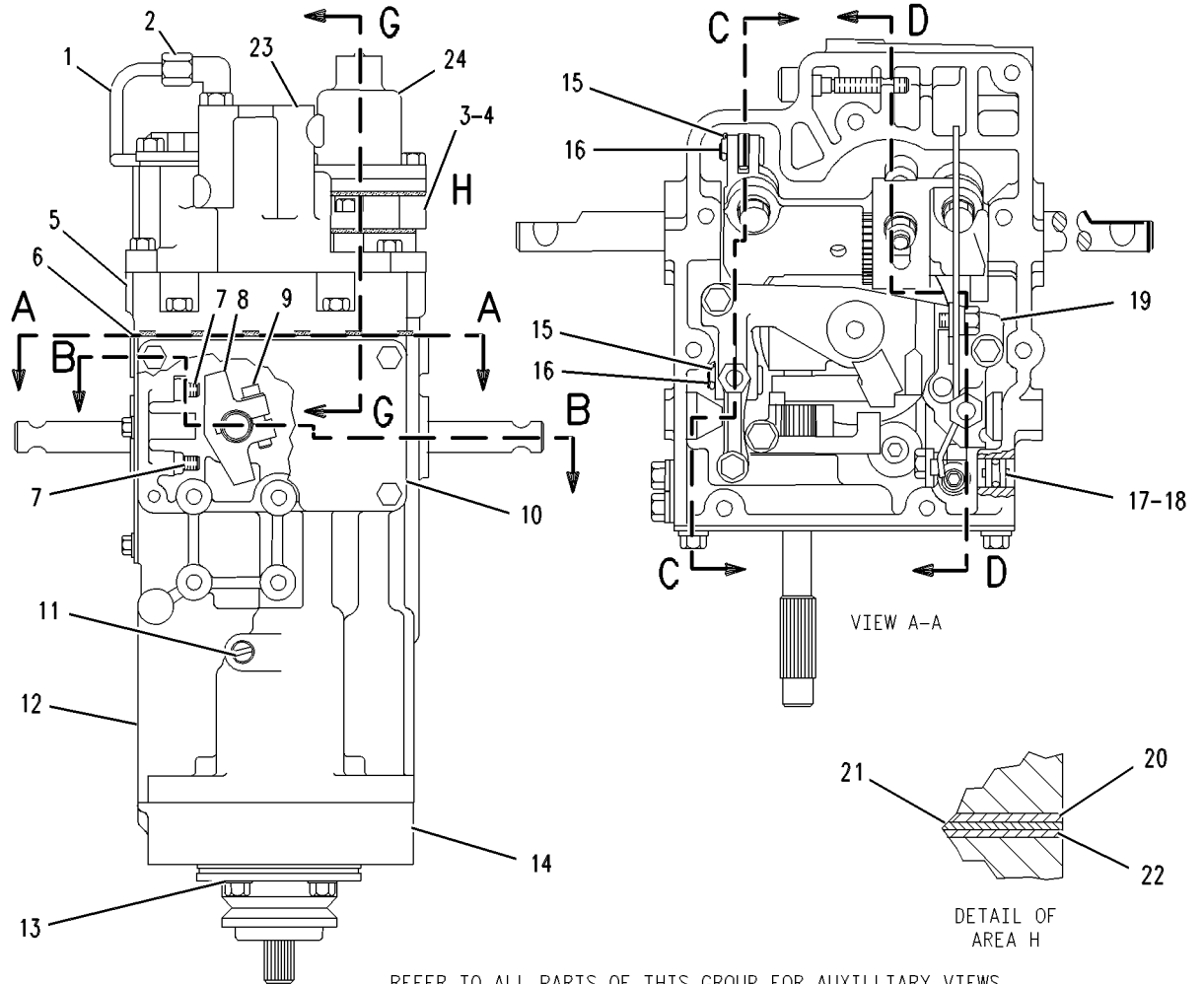
7C-0083 GOVERNOR GP (contd.)

100883963

NOTE	REF NO	GRAPHIC REF	PART NUMBER	QTY	PART NAME	SEE PAGE
			4W-7628	1	KIT-GOVERNOR REPAIR	

(INCLUDES BEARINGS, PINS, RINGS, SEALS, GASKETS & RACE)

Y - SEPARATE ILLUSTRATION



REFER TO ALL PARTS OF THIS GROUP FOR AUXILLIARY VIEWS

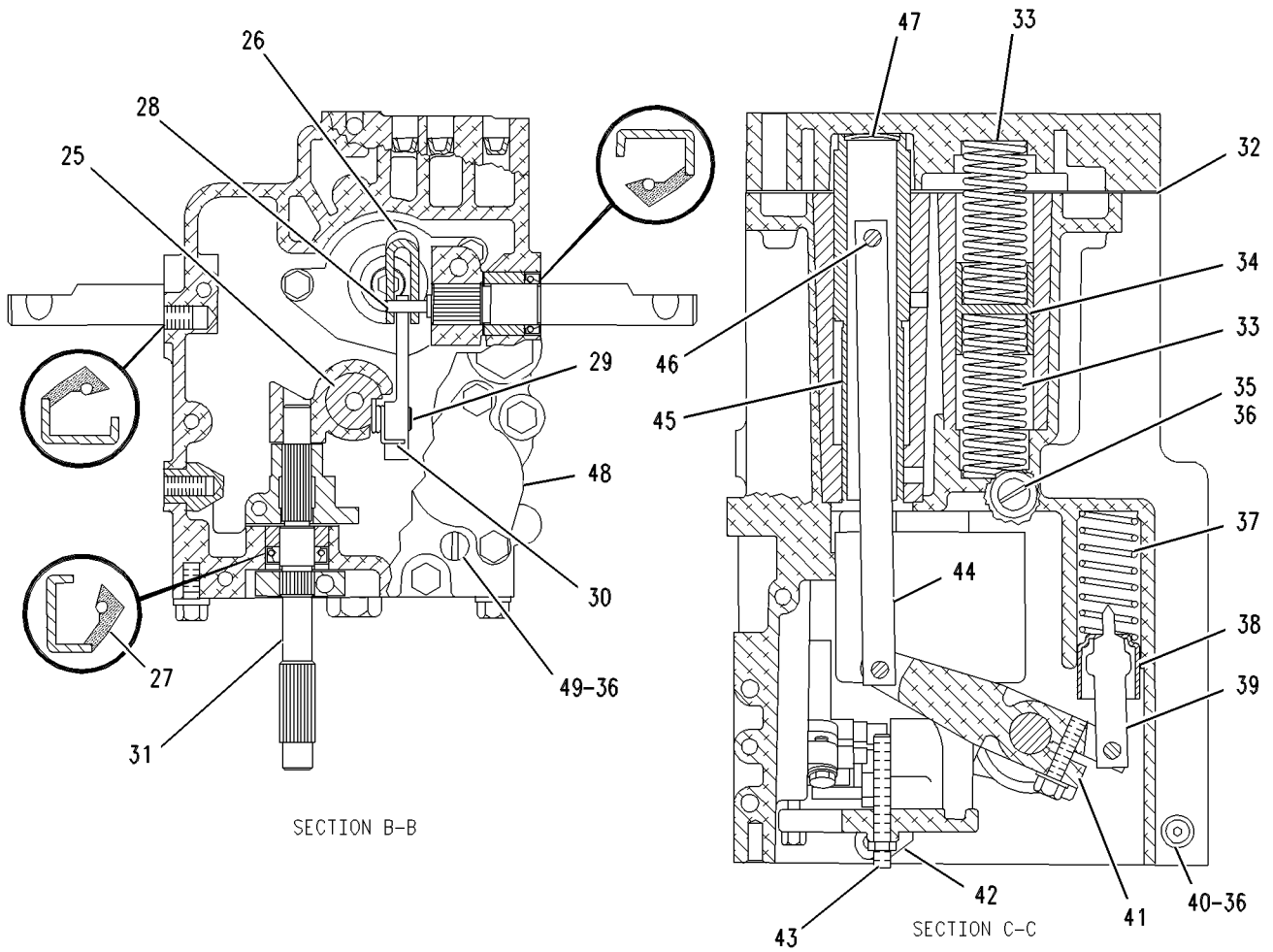
GRAPHIC #1

g00382846

FUEL SYSTEM

7C-0083 GOVERNOR GP (contd.)

i00883963



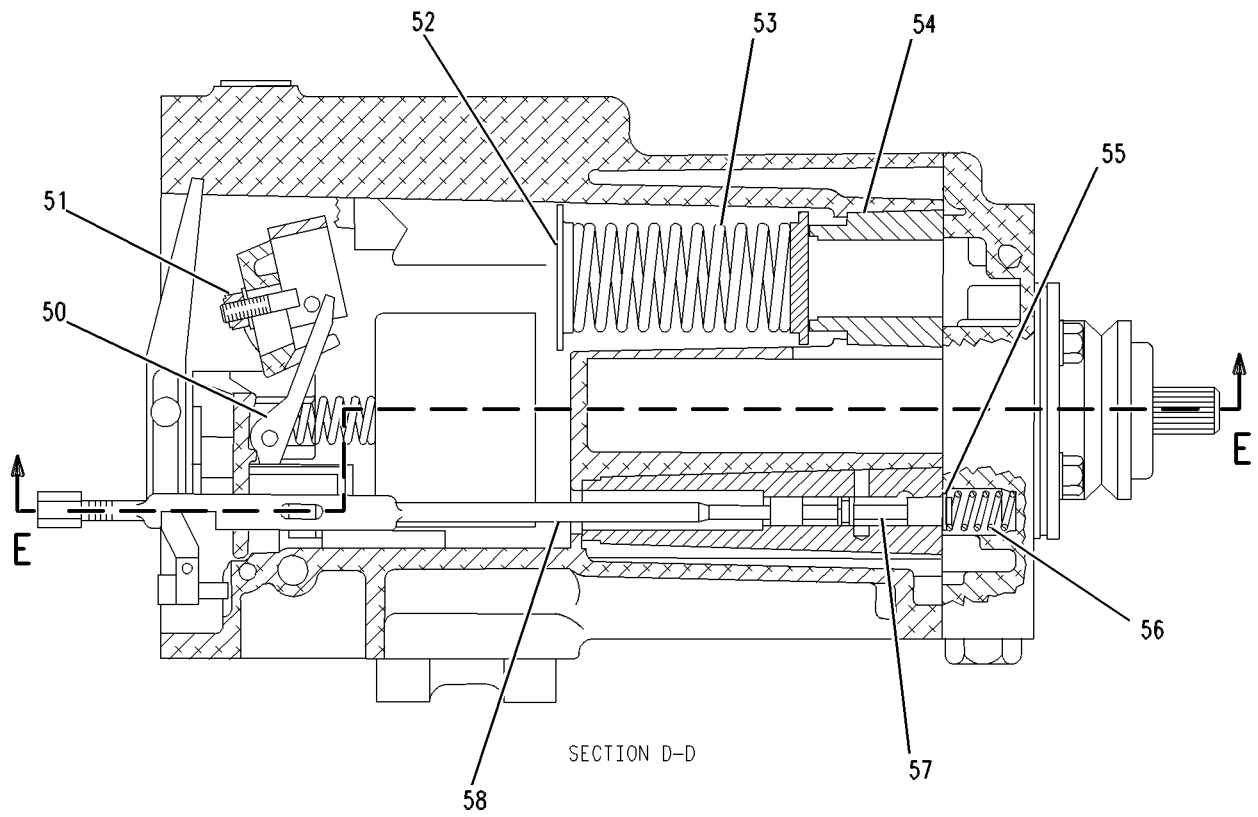
GRAPHIC #2

g00382847

FUEL SYSTEM

7C-0083 GOVERNOR GP (contd.)

100883963



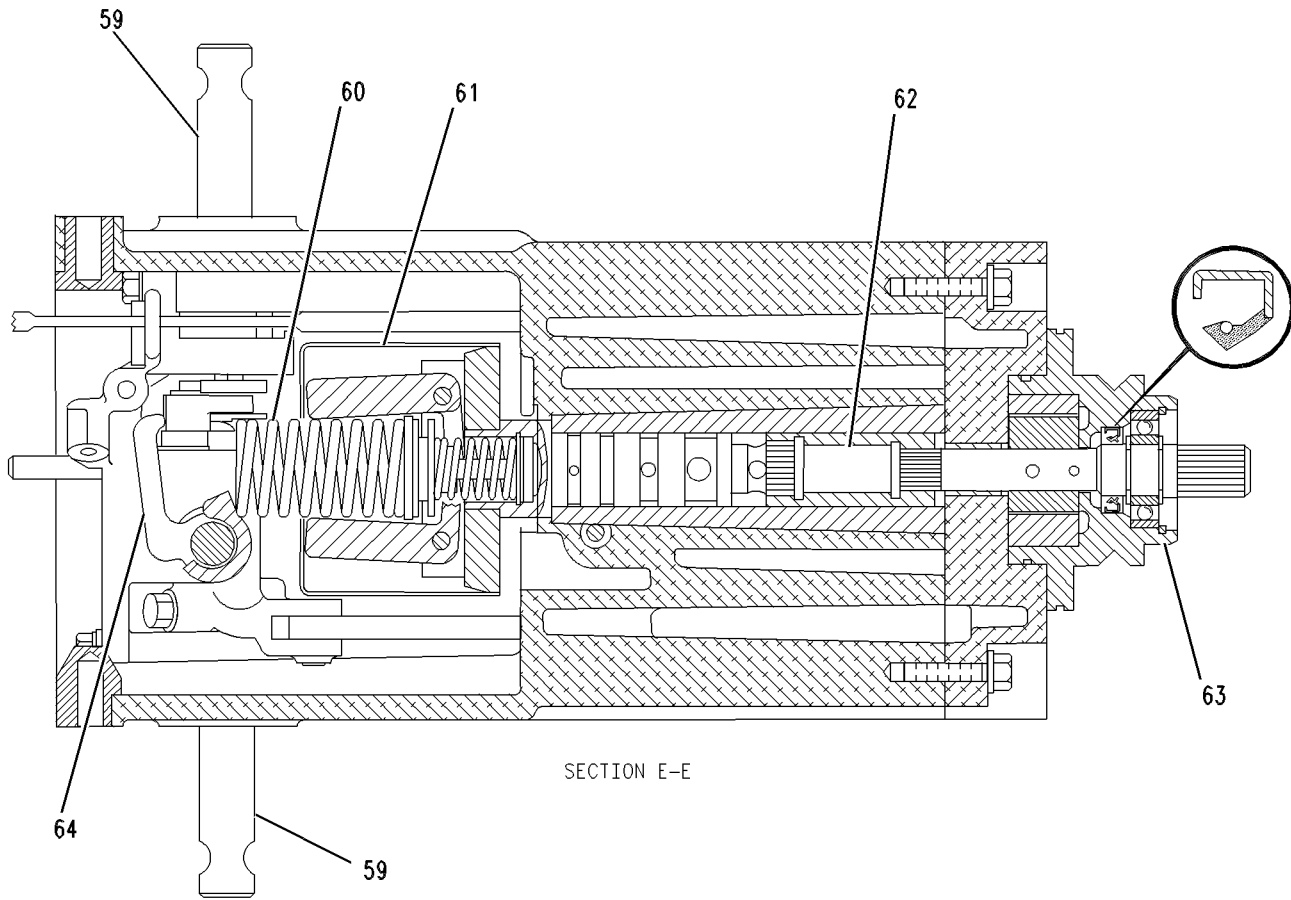
GRAPHIC #3

g00382848

FUEL SYSTEM

7C-0083 GOVERNOR GP (contd.)

i00883963



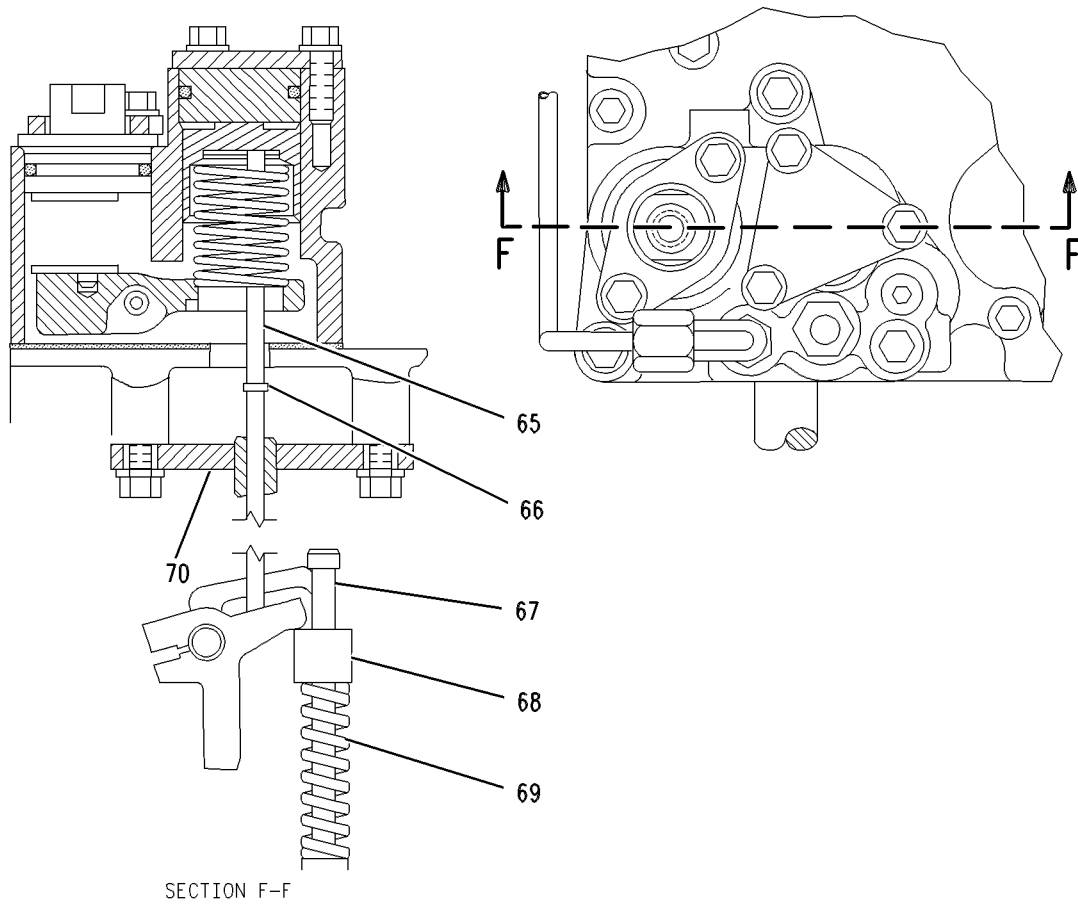
GRAPHIC #4

g00382849

FUEL SYSTEM

7C-0083 GOVERNOR GP (contd.)

100883963



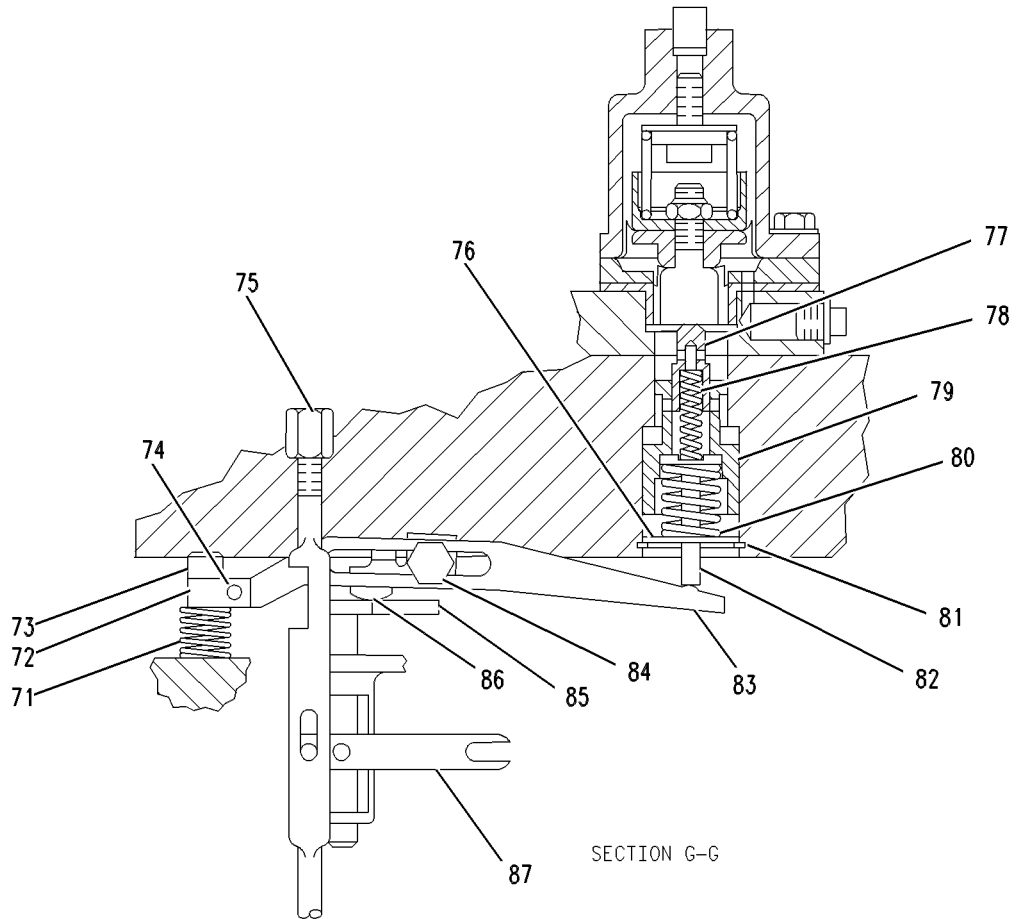
GRAPHIC #5

g00382850

FUEL SYSTEM

7C-0083 GOVERNOR GP (contd.)

i00883963



GRAPHIC #6

<END>

g00382851

FUEL SYSTEM

7C-0084 GOVERNOR GP

PART OF 7W-3331, 7W-3332, 7W-3333 GOVERNOR GP
AN ATTACHMENT

SMCS-1264, 1908

i02667615

NOTE	REF NO	GRAPHIC REF	PART NUMBER	QTY	PART NAME						SEE PAGE
					1	2	3	4	5	6 (PRODUCT LEVEL)	
	1	1	2W-4633	1	TUBE						
	2	1	030-7946	2	ELBOW						
		1	6V-5048	2	SEAL-O-RING						
Y	3	1	2W-0782	1	COVER GP-GOVERNOR						984
	4	1	2W-6418	1	PLUG						
		1	2W-0221	1	SEAL-O-RING						
	5	1	2W-0779	1	COVER						
	6	1	1W-9780	1	GASKET						
	7	1	9L-9777	2	SETSCREW						
	8	1	2W-0446	1	STOP-LEVER						
	9	1	8H-0707	1	BOLT (1/4-20X1-IN)						
		1	3B-4504	1	LOCKWASHER						
	10	1	2W-0243	1	PLATE-IDENTIFICATION (LEVER & DROOP)						
	11	1	2W-4315	1	VALVE-NEEDLE						
		1	2W-0224	1	SEAL-O-RING						
Y	12	1	2W-1458	1	HOUSING GP-GOVERNOR						1162
	13	1	9S-4185	2	PLUG (3/4-16-THD)						
		1	8L-2786	2	SEAL-O-RING						
	14	1	2W-0138	50	SCREW-FORMING (1/4-20X1-IN)						
	15	1	2W-0145	1	SHAFT-DRIVE						
	16	1	2W-0784	1	BASE						
	17	1	3B-4605	2	PIN-COTTER						
	18	1	4W-3176	2	PIN						
Y	19	1	2W-2643	1	CONTROL GP-GOVERNOR						976
	20	1	2W-0245	1	BRACKET AS						
	21	1	1W-9781	1	GASKET-PLATE						
	22	1	2W-4606	1	PLATE-ORIFICE						
	23	1	2W-0123	1	GASKET-PLATE						
	24	2	2W-4317	1	PLUG-SPRING						
	25	2	4W-7369	1	SLIDER AS-DROOP						
	26	2	2W-0282	3	SEAL-OIL						
	27	2	2W-4310	1	PIN						
	28	2	2W-4311	1	PIN						
	29	2	2W-4306	1	SPRING-LEVER						
	30	2	7C-0081	1	SHAFT (LEVER SPEED SETTING)						
	31	2	2W-0124	1	GASKET						
	32	2	7W-5314	2	SPRING-BUFFER						
	33	2	2W-4307	1	PISTON						
	34	2	2W-0774	1	PLUG AS						
	35	2	5P-7812	2	SEAL-O-RING						
	36	2	2W-0140	1	SPRING-RETURN						
	37	2	2W-4316	1	SEAT-LOADING						
	38	2	2W-4321	1	LINK-LOADING						
	39	2	2W-6891	1	PIN AS-ORIFICE						
	40	2	4W-3177	1	LEVER AS-TERMINAL						
	41	2	1B-4201	1	NUT-FULL (1/4-28-THD)						
	42	2	2W-4995	1	SETSCREW-SOCKET						

FUEL SYSTEM

7C-0084 GOVERNOR GP (contd.)

i02667615

NOTE	REF NO	GRAPHIC REF	PART NUMBER	QTY	PART NAME						SEE PAGE
					1	2	3	4	5	6 (PRODUCT LEVEL)	
	43	2	2W-4305	1	LINK-CONNECTING						
	44	2	2W-4318	1	PISTON-SERVO						
	45	2	2W-6417	1	PIN-PISTON LINK						
	46	2	4W-3178	1	WASHER-WAVE						
	47	2	2W-0776	1	COVER-SHUTDOWN						
		2	1W-9782	1	GASKET-SHUTOFF						
	48	3	2W-5874	1	LEVER-SETTING						
	49	3	2F-3219	1	NUT-ELASTIC STOP						
		3	5P-0537	1	WASHER-HARD (7.2X14.5X2-MM THK)						
	50	3	2W-4324	1	SEAT-ACCUMULATOR						
	51	3	2W-1645	1	SPRING						
	52	3	2W-4319	1	PISTON						
	53	3	2H-3429	1	RING-RETAINING						
	54	3	2W-0283	1	SPRING-PLUNGER						
	55	3	2W-4313	1	PLUNGER-VALVE						
	56	3	2W-1646	1	ROD-SHUTOFF						
	57	3	5S-2184	1	BOLT (3/8-16X0.5-IN)						
	58	4	2W-0144	2	SHAFT-TERMINAL						
	59	4	7C-0078	1	SPRING						
Y	60	4	2W-0233	1	FLYWEIGHT GP						1028
	61	4	1W-9783	1	COUPLING AS (SOLID DRIVE)						
	62	4	2W-0223	1	SEAL-O-RING						
	63	4	2W-0120	1	ELEMENT-GEROTOR MOTOR						
	64	4	2W-0127	1	PIN-PUMP DRIVE						
	65	4	2W-0282	1	SEAL-OIL						
	66	4	2W-0128	1	BALL BEARING						
	67	4	8F-4610	1	RING-RETAINING						
	68	4	6L-2113	1	RING-RETAINING						
	69	4	2W-0281	1	RING-RETAINING						
	70	4	2W-0126	1	HOUSING-PUMP						
	71	4	2W-3590	1	PIN-SPRING						
	72	4	2W-0447	1	LEVER-SETTING						
J	73	5	1W-9784	1	BELLOWS AS						
	74	5	6V-8139	1	SCREW-SOCKET HEAD (10-32-THD)						
	75	5	2W-4619	1	SEAT						
	76	5	2W-5916	1	SCREW (1/4-28X4.5-IN)						
	77	5	2W-5873	1	HOUSING AS						
	78	5	5P-5600	1	SEAL-O-RING						
	79	5	2W-0225	1	SEAL-O-RING						
	80	5	6V-5048	1	SEAL-O-RING						
	81	5	8F-6302	1	BOLT (1/4-20X3.75-IN)						
	82	5	2W-1475	1	SPRING						
	83	5	2W-1476	1	SPRING						
	84	5	2W-1477	2	SPRING						
	85	5	2W-0125	1	GASKET						
	86	5	2D-6642	1	BALL						
	87	5	2W-1480	1	PLUNGER						
	88	5	2W-1481	1	PISTON						
	89	5	2W-4615	1	SEAT-SPRING						
	90	5	2W-5010	1	LEVER AS						
	91	5	7C-0077	1	GUIDE AS-ROD						

FUEL SYSTEM

7C-0084 GOVERNOR GP (contd.)

102667615

NOTE	REF NO	GRAPHIC REF	PART NUMBER	QTY	PART NAME						SEE PAGE
					1	2	3	4	5	6 (PRODUCT LEVEL)	
	92	5	2W-4625	1	NOZZLE						
	93	5	2W-4629	1	PLATE						
	94	5	2W-4623	1	PLUG						
	95	5	2W-5003	1	PLUG AS						
	96	5	5P-4672	1	RING-RETAINING						
	97	5	2W-4622	1	ROD						
	98	5	2W-4630	1	STRAP-HOLD-DOWN						
	99	5	2W-3591	1	WASHER						
	100	5	2W-4627	1	SEAT						
	101	5	9M-5590	1	BALL						
	102	5	2W-5913	1	SCREW						
	103	5	2W-6418	1	PLUG						
		5	2W-0221	1	SEAL-O-RING						
J	104	5	4W-6627	1	SPRING-ADJUSTMENT						
	105	5	2W-0119	2	BEARING						
		5	2W-1479	1	PIN-SHAFT						
	106	5	2W-6890	1	PLUG-HEX SOCKET						
		5	5P-7812	1	SEAL-O-RING						
NFA		5	7W-1503	1	SPRING-PNEUMATIC FEEDBACK						
NFA		5	7W-0948	1	BELLOWS AS						
	107	6	2W-4994	1	SPRING						
	108	6	2W-5005	1	BLOCK-PIVOT						
	109	6	2W-5869	1	BOLT-SOCKET HEAD						
	110	6	2F-6721	1	PIN-RACK						
	111	6	2W-1228	1	NUT-SHUTDOWN ADJUSTMENT (1/4-28-THD)						
	112	6	2W-5012	1	GUIDE-DIAPHRAGM						
	113	6	2W-0122	1	DIAPHRAGM						
	114	6	2W-0121	1	DIAPHRAGM						
	115	6	2F-3219	1	NUT-ELASTIC STOP						
	116	6	7C-0082	1	SCREW AS-CLAMP						
	117	6	9L-9777	1	SETSCREW						
	118	6	7C-0080	1	SEAT-UPPER SPRING						
	119	6	4W-7652	1	SPRING-LIMITER						
	120	6	2W-4610	1	PISTON-LIMITER						
	121	6	4W-7367	1	COVER AS-LIMITER						
	122	6	2W-5001	1	SPACER						
	123	6	2W-5008	1	SPACER						
	124	6	2W-0142	1	GASKET-GUIDE						
	125	6	2W-4617	1	PLUNGER						
	126	6	2W-4997	1	SPRING-RETURN						
	127	6	2W-4626	1	PISTON-LIMITER						
	128	6	2W-4999	1	SPRING-RETURN						
	129	6	4D-1322	1	RING-RETAINING						
	130	6	2W-4613	1	ROD-OUTPUT						
	131	6	2W-4635	1	LEVER-LIMITER						
	132	6	2W-4620	1	SEAT-SPRING						
	133	6	2W-5975	1	SCREW-BOLT (1/4-28X0.5-IN)						
	134	6	3L-6759	1	WASHER						
	135	6	2W-5014	1	ROD AS						
	136	6	2W-4608	1	CAMSHAFT-LINK						
	137	6	2W-5011	1	LEVER AS						

FUEL SYSTEM

7C-0084 GOVERNOR GP (contd.)

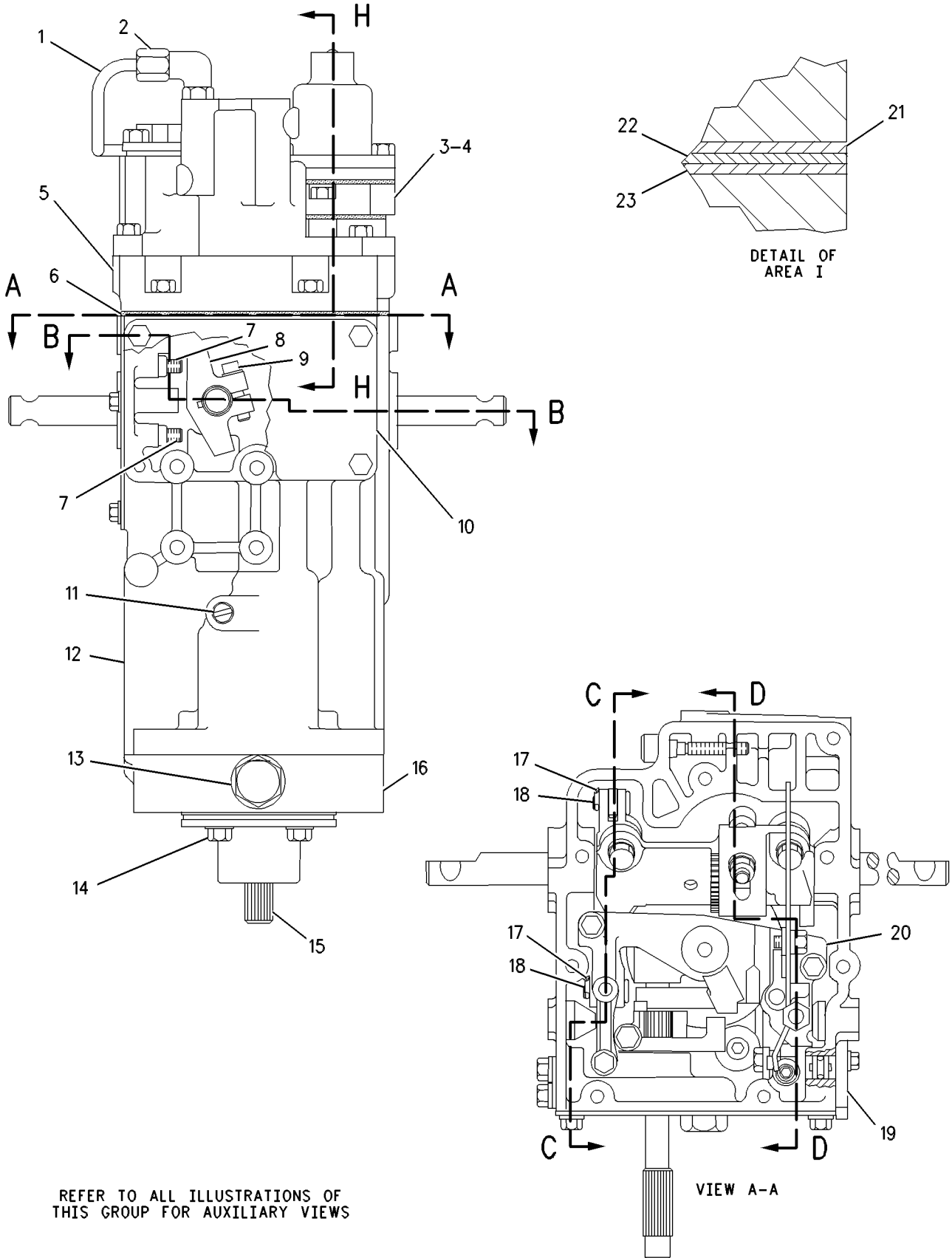
102667615

NOTE	REF NO	GRAPHIC REF	PART NUMBER	QTY	PART NAME						SEE PAGE
					1	2	3	4	5	6 (PRODUCT LEVEL)	
AVAILABLE REPAIR KIT(S) :											
			4W-8207	1	KIT-FUEL RATIO CONTROL						
(INCLUDES RINGS, SEALS, DIAPHRAGMS, PLATES, GASKETS & PINS)											
			4W-8206	1	KIT-GOVERNOR REPAIR						
(INCLUDES BEARINGS, RINGS, SEALS & GASKETS)											
			4W-7628	1	KIT-GOVERNOR REPAIR						
(INCLUDES PINS, BEARINGS, PACKINGS, RINGS, SEALS, GASKETS & RACE)											
A - NOT PART OF THIS GROUP F - NOT SHOWN J - FOR HIGHER OPERATING PRESS. USE PARTS MARKED N N Y - SEPARATE ILLUSTRATION											

FUEL SYSTEM

7C-0084 GOVERNOR GP (contd.)

102667615



REFER TO ALL ILLUSTRATIONS OF THIS GROUP FOR AUXILIARY VIEWS

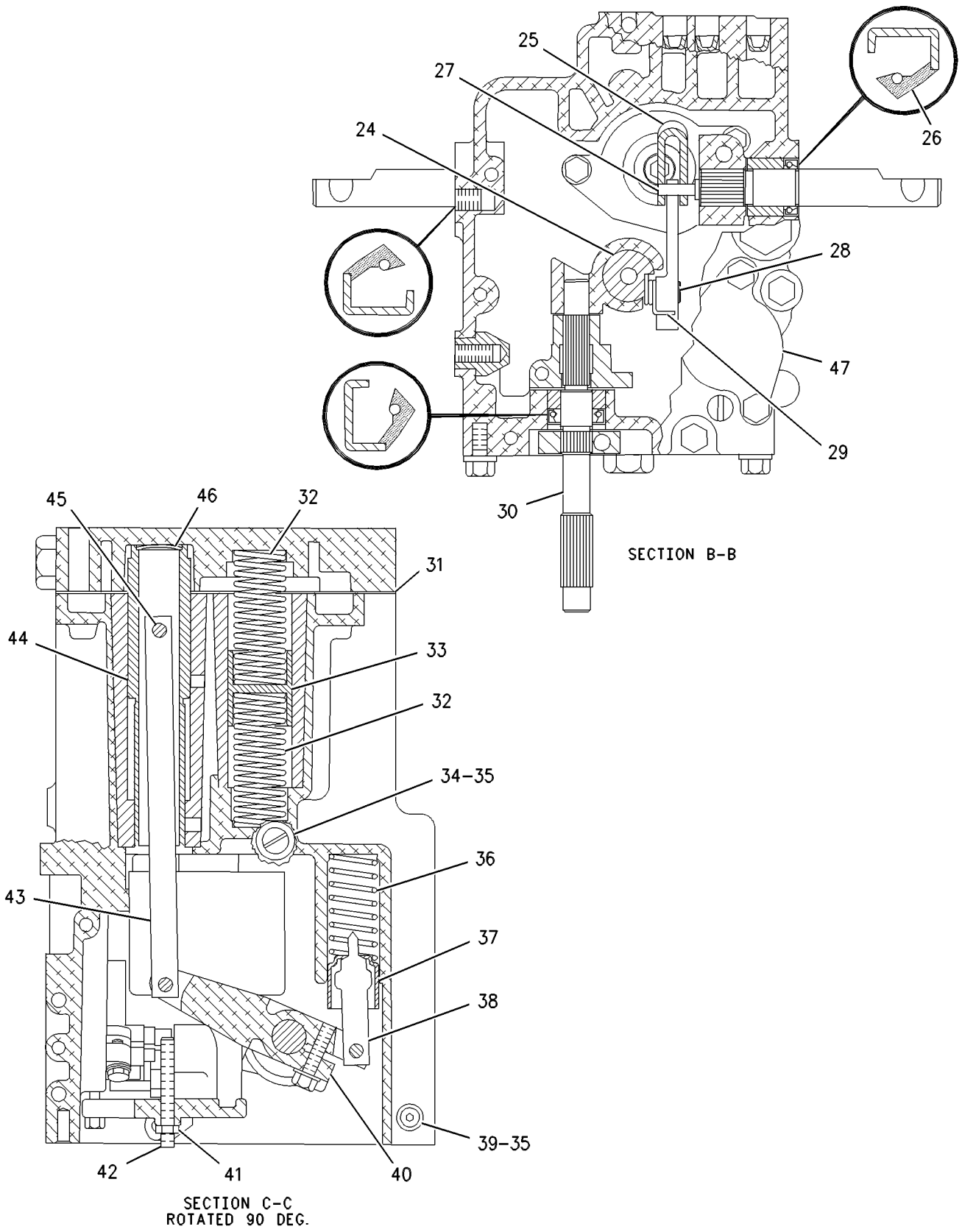
GRAPHIC #1

g00460419

FUEL SYSTEM

7C-0084 GOVERNOR GP (contd.)

102667615



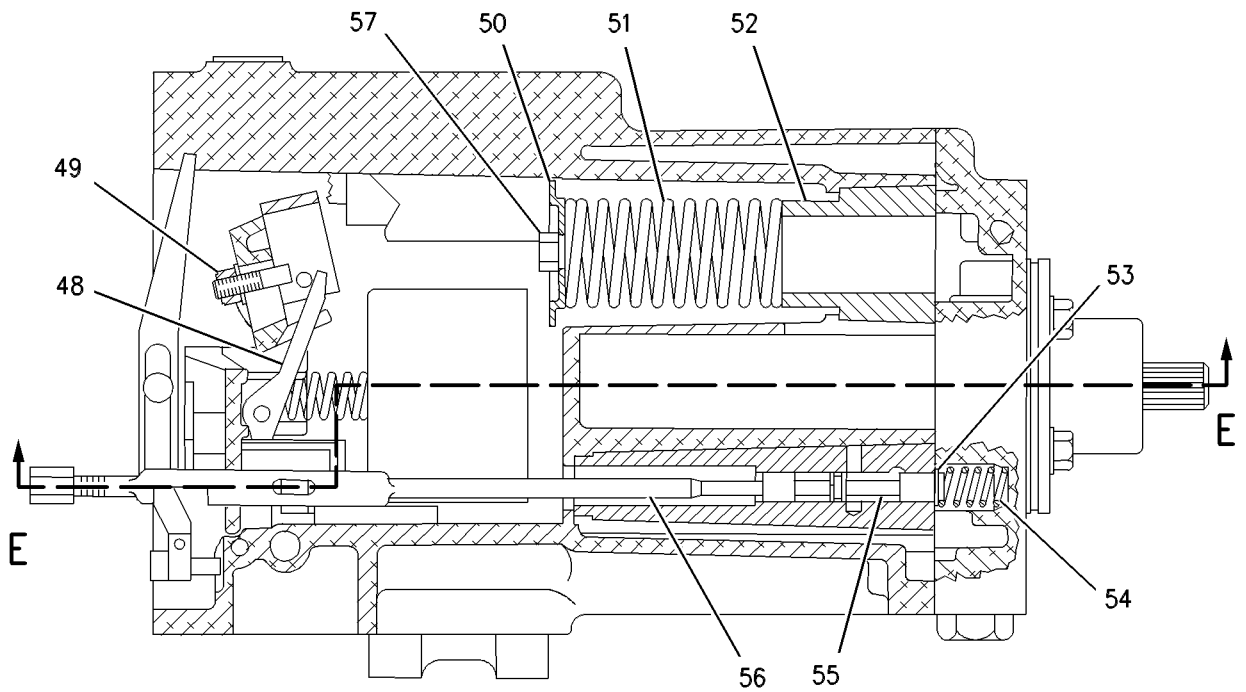
GRAPHIC #2

g00460420

FUEL SYSTEM

7C-0084 GOVERNOR GP (contd.)

102667615



SECTION D-D

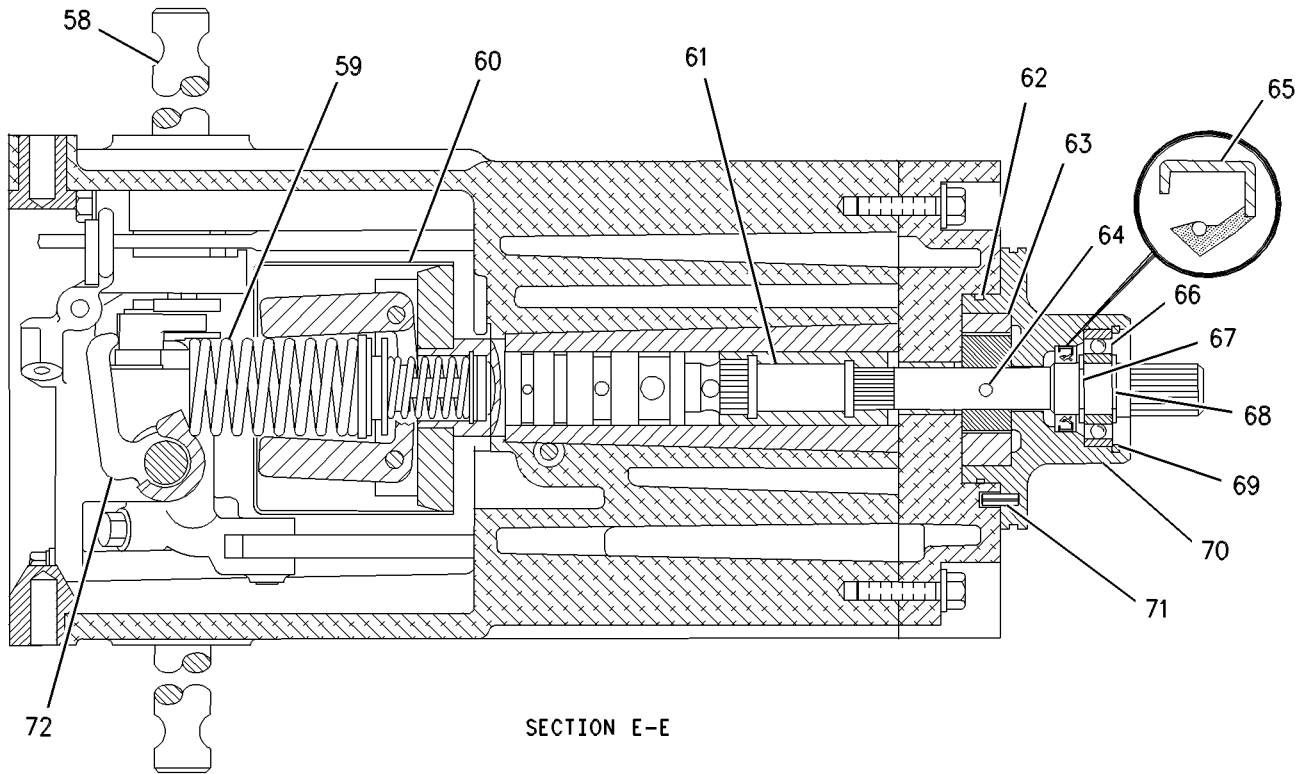
GRAPHIC #3

g00460421

FUEL SYSTEM

7C-0084 GOVERNOR GP (contd.)

102667615



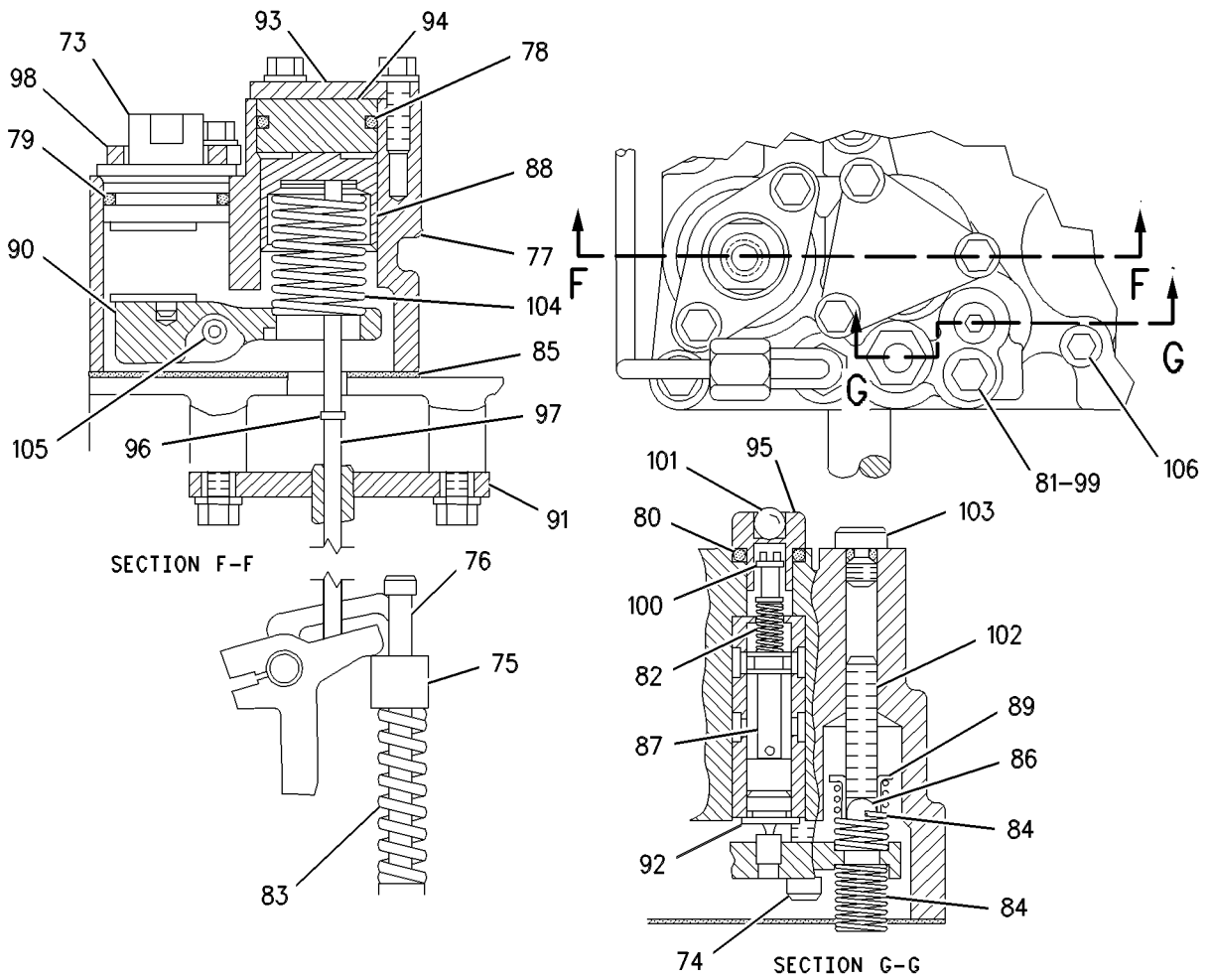
GRAPHIC #4

g00460422

FUEL SYSTEM

7C-0084 GOVERNOR GP (contd.)

102667615



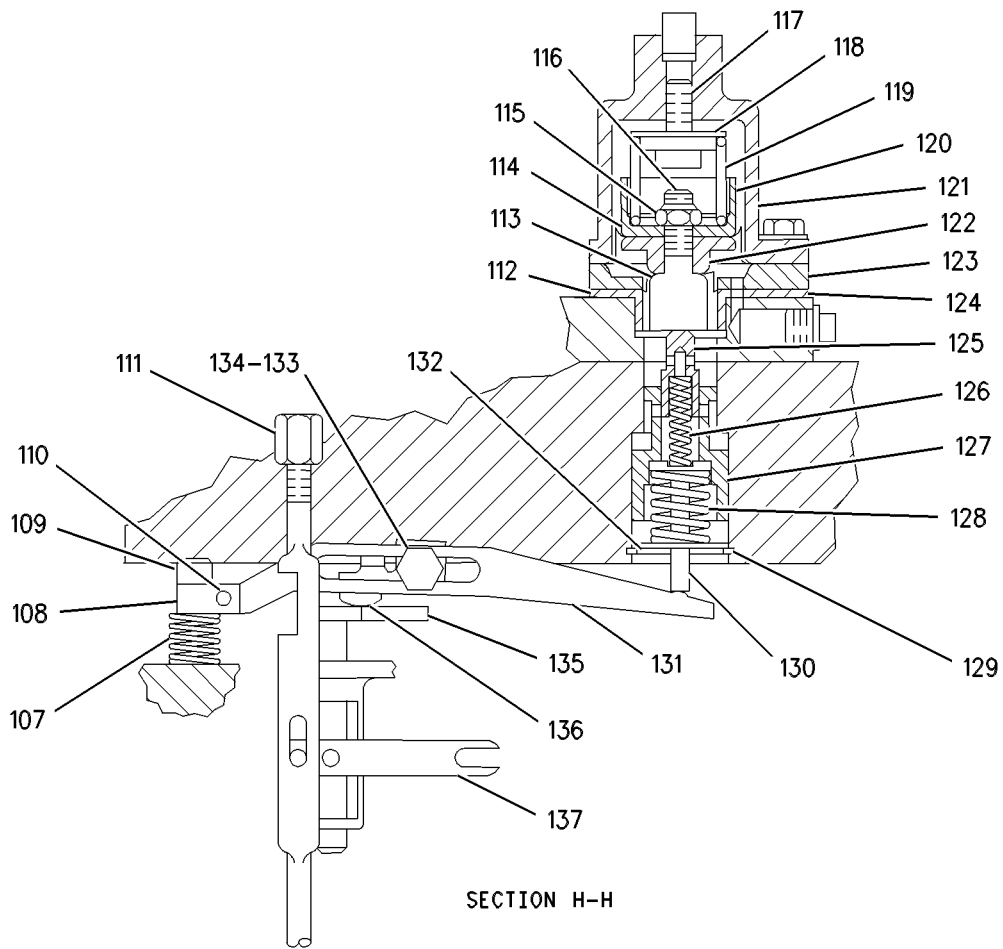
GRAPHIC #5

g00460423

FUEL SYSTEM

7C-0084 GOVERNOR GP (contd.)

102667615



GRAPHIC #6

<END>

g00460424

FUEL SYSTEM

7C-2850 GOVERNOR GP

S/N: 50Y713-736; 66Z221-265

PART OF 1W-5017, 1W-5021, 7W-3331, 7W-3332, 7W-3333, 8N-6712 GOVERNOR GP
ALSO AN ATTACHMENT

SMCS-1264, 1908

i02667624

NOTE	REF NO	GRAPHIC REF	PART NUMBER	QTY	PART NAME						SEE PAGE
					1	2	3	4	5	6 (PRODUCT LEVEL)	
	1	1	2W-4633	1	TUBE						
	2	1	030-7946	2	ELBOW						
		1	6V-5048	2	SEAL-O-RING						
Y	3	1	2W-0782	1	COVER GP-GOVERNOR						984
Y	4	1	7C-3999	1	CONTROL GP-GOVERNOR						981
	5	1	2W-0779	1	COVER						
	6	1	1W-9780	1	GASKET						
	7	1	9L-9777	2	SETSCREW						
	8	1	2W-0446	1	STOP-LEVER						
	9	1	8H-0707	1	BOLT (1/4-20X1-IN)						
		1	3B-4504	1	LOCKWASHER						
	10	1	2W-0243	1	PLATE-IDENTIFICATION (LEVER & DROOP)						
	11	1	2W-4315	1	VALVE-NEEDLE						
		1	2W-0224	1	SEAL-O-RING						
Y	12	1	2W-1458	1	HOUSING GP-GOVERNOR						1162
	13	1	2W-0123	1	GASKET-PLATE						
	14	1	2W-0138	50	SCREW-FORMING (1/4-20X1-IN)						
Y	15	1	7C-3998	1	CONTROL GP-FUEL RATIO						970
	16	1	7C-3985	1	BASE						
	17	1	3B-4605	2	PIN-COTTER						
	18	1	4W-3176	2	PIN						
Y	19	1	2W-2643	1	CONTROL GP-GOVERNOR						976
	20	1	2W-0245	1	BRACKET AS						
	21	1	1W-9781	1	GASKET-PLATE						
	22	1	2W-4606	1	PLATE-ORIFICE						
	23	2	2W-4317	1	PLUG-SPRING						
	24	2	2W-0148	1	SLIDER AS (MID DROOP)						
	25	2	2W-0282	3	SEAL-OIL						
	26	2	2W-4310	1	PIN						
	27	2	2W-4311	1	PIN						
	28	2	2W-4306	1	SPRING-LEVER						
	29	2	7C-0081	1	SHAFT (LEVER SPEED SETTING)						
	30	2	2W-0124	1	GASKET						
	31	2	7C-4262	2	SPRING-BUFFER						
	32	2	2W-4307	1	PISTON						
	33	2	2W-0774	1	PLUG AS						
	34	2	5P-7812	2	SEAL-O-RING						
	35	2	2W-0140	1	SPRING-RETURN						
	36	2	2W-4316	1	SEAT-LOADING						
	37	2	2W-4321	1	LINK-LOADING						
	38	2	7C-3018	1	ORIFICE-GOVERNOR						
	39	2	4W-3177	1	LEVER AS-TERMINAL						
	40	2	1B-4201	1	NUT-FULL (1/4-28-THD)						
	41	2	2W-4995	1	SETSCREW-SOCKET						
	42	2	2W-4305	1	LINK-CONNECTING						
	43	2	2W-4318	1	PISTON-SERVO						

FUEL SYSTEM

7C-2850 GOVERNOR GP (contd.)

i02667624

NOTE	REF NO	GRAPHIC REF	PART NUMBER	QTY	PART NAME						SEE PAGE
					1	2	3	4	5	6 (PRODUCT LEVEL)	
	44	2	2W-6417	1	PIN-PISTON LINK						
	45	2	4W-3178	1	WASHER-WAVE (SPRING)						
	46	2	2W-0776	1	COVER-SHUTDOWN						
	47	2	1W-9782	1	GASKET-SHUTOFF						
	48	2	9S-4185	1	PLUG (3/4-16-THD)						
		2	8L-2786	1	SEAL-O-RING						
	49	3	2W-5874	1	LEVER-SETTING						
	50	3	2F-3219	1	NUT-ELASTIC STOP						
		3	5P-0537	1	WASHER-HARD (7.2X14.5X2-MM THK)						
	51	3	2W-4324	1	SEAT-ACCUMULATOR						
	52	3	2W-1645	1	SPRING						
	53	3	2W-4319	1	PISTON						
	54	3	2H-3429	1	RING-RETAINING						
	55	3	2W-0283	1	SPRING-PLUNGER						
	56	3	2W-4313	1	PLUNGER-VALVE						
	57	3	2W-1646	1	ROD-SHUTOFF						
	58	4	2W-0144	2	SHAFT-TERMINAL						
	59	4	7C-0078	1	SPRING						
Y	60	4	2W-0233	1	FLYWEIGHT GP						1028
	61	4	7C-3988	1	COUPLING AS-DRIVE (SOLID)						
Y	62	4	7C-3982	1	PUMP GP-GEAR (GOVERNOR)						1250
	63	4	2W-0447	1	LEVER-SETTING						
	64	5	7C-3900	1	PLUG						
		5	5P-7812	1	SEAL-O-RING						
	65	5	2W-1476	1	SPRING						
	66	5	2W-4619	1	SEAT						
	67	5	2W-5916	1	SCREW (1/4-28X4.5-IN)						
	68	5	7C-0077	1	GUIDE AS-ROD						
	69	5	2W-4622	1	ROD						
	70	5	5P-4672	1	RING-RETAINING						
	71	6	2F-6721	1	PIN-RACK						
	72	6	2W-1228	1	NUT-SHUTDOWN ADJUSTMENT (1/4-28-THD)						
	73	6	3L-6759	1	WASHER						
	74	6	2W-5975	1	SCREW-BOLT (1/4-28X0.5-IN)						
	75	6	2W-4620	1	SEAT-SPRING						
	76	6	2W-4617	1	PLUNGER						
	77	6	2W-4997	1	SPRING-RETURN						
	78	6	2W-4626	1	PISTON-LIMITER						
	79	6	2W-4999	1	SPRING-RETURN						
	80	6	4D-1322	1	RING-RETAINING						
	81	6	2W-4613	1	ROD-OUTPUT						
	82	6	2W-4635	1	LEVER-LIMITER						
	83	6	2W-5014	1	ROD AS (LIMIT LINKAGE)						
	84	6	2W-4608	1	CAMSHAFT-LINK						
	85	6	2W-5011	1	LEVER AS (LIMIT FLOATING)						
	86	6	2W-4994	1	SPRING						
	87	6	2W-5005	1	BLOCK-PIVOT						
	88	6	2W-5869	1	BOLT-SOCKET HEAD						

AVAILABLE REPAIR KIT(S) :

FUEL SYSTEM

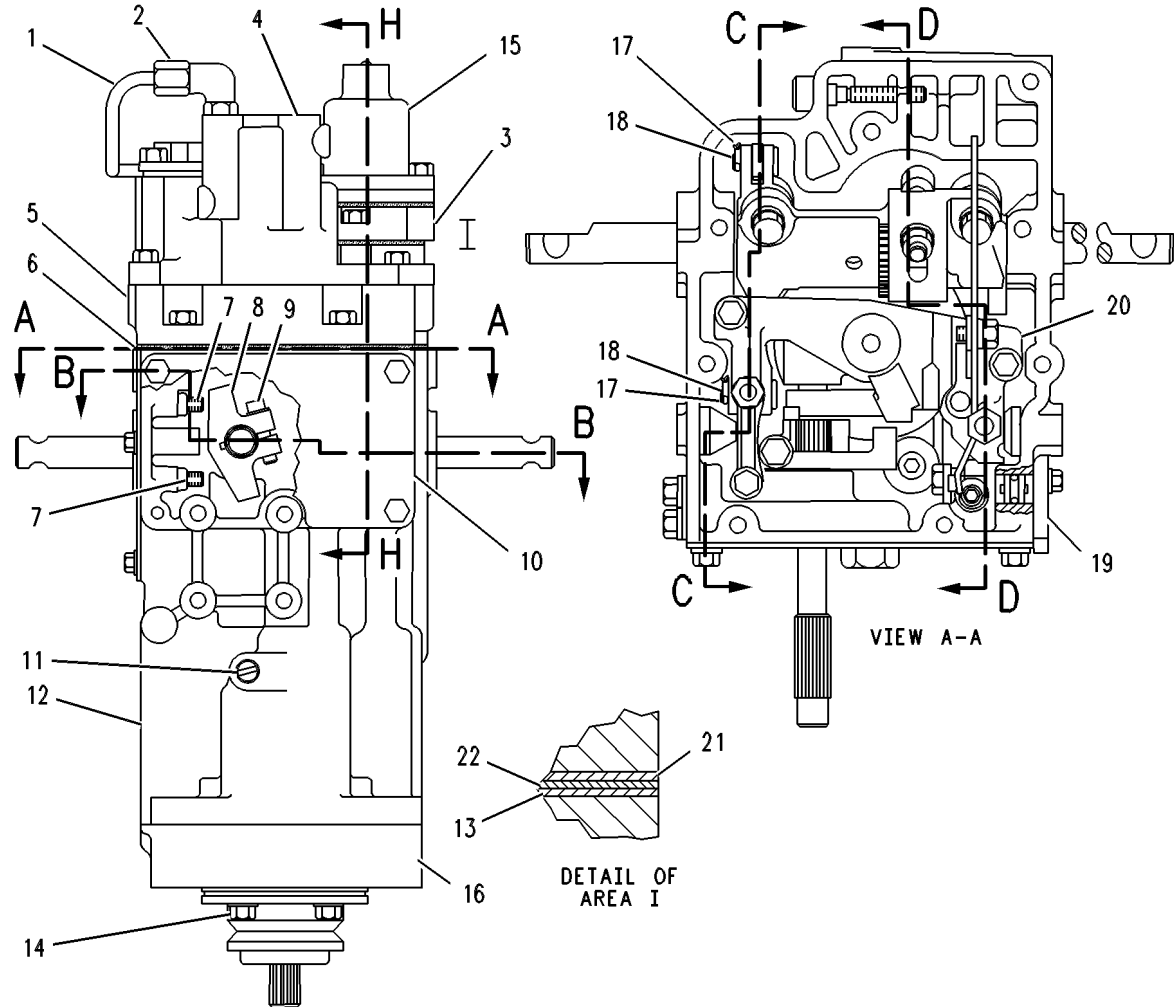
7C-2850 GOVERNOR GP (contd.)

102667624

NOTE	REF NO	GRAPHIC REF	PART NUMBER	QTY	PART NAME	SEE PAGE
			4W-7628	1	KIT-GOVERNOR REPAIR	

(INCLUDES PINS, BEARINGS, PACKINGS, RINGS, SEALS, GASKETS & RACE)

Y - SEPARATE ILLUSTRATION



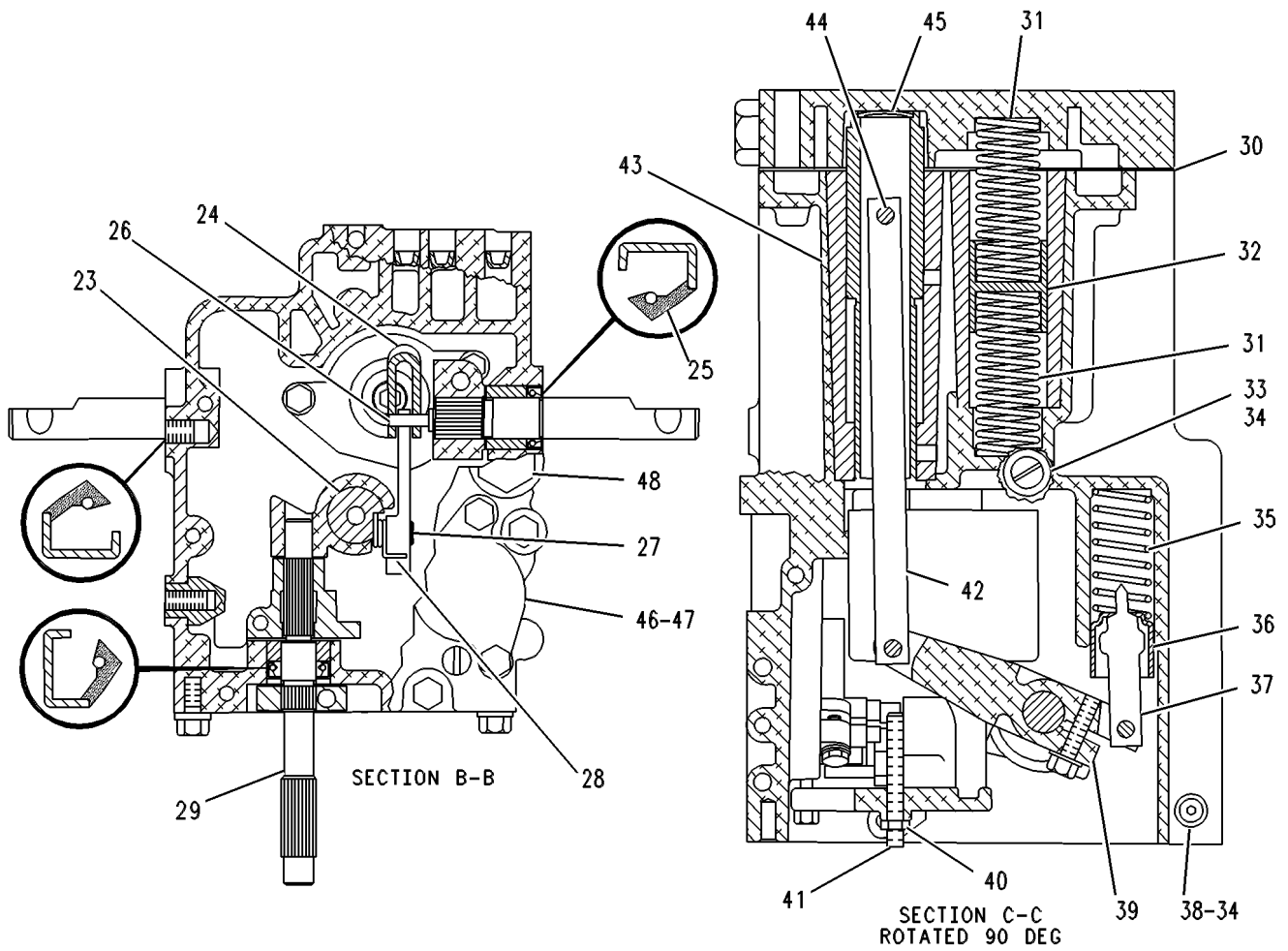
GRAPHIC #1

g00406572

FUEL SYSTEM

7C-2850 GOVERNOR GP (contd.)

i02667624



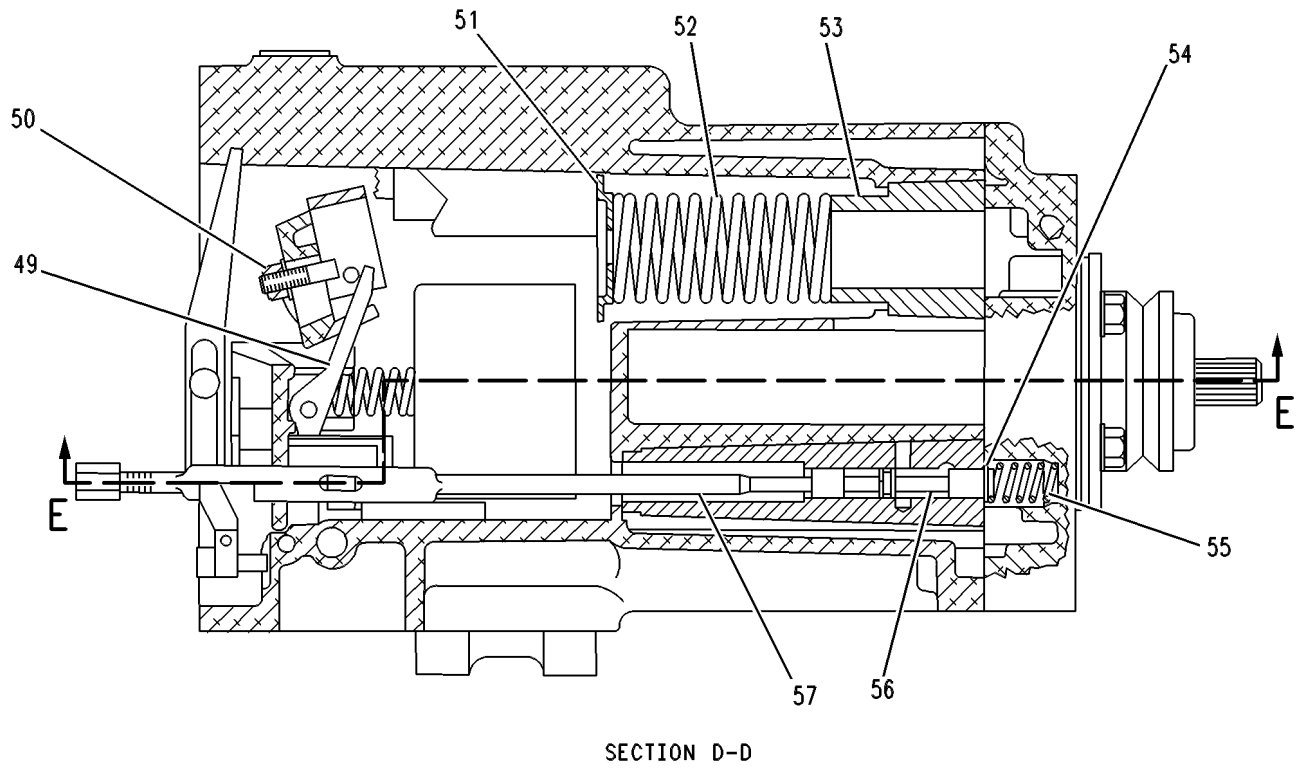
GRAPHIC #2

g00406573

FUEL SYSTEM

7C-2850 GOVERNOR GP (contd.)

102667624



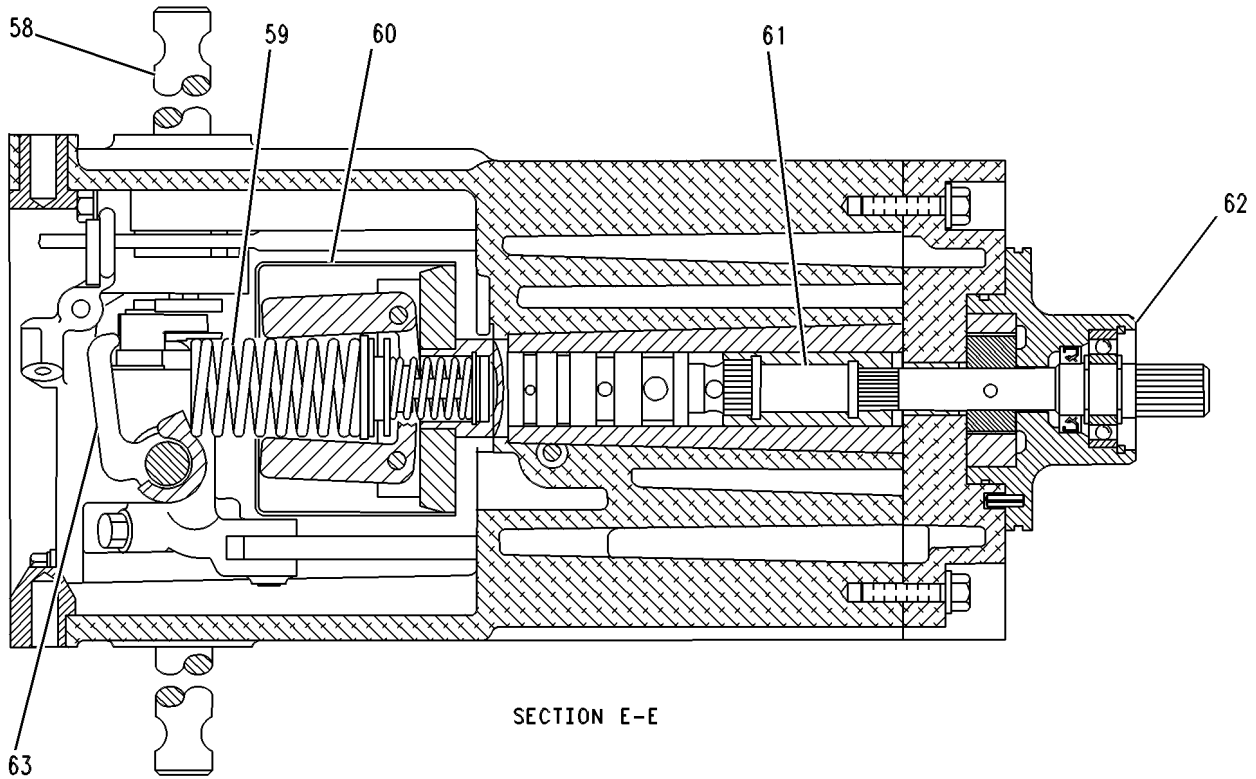
GRAPHIC #3

g00406574

FUEL SYSTEM

7C-2850 GOVERNOR GP (contd.)

102667624



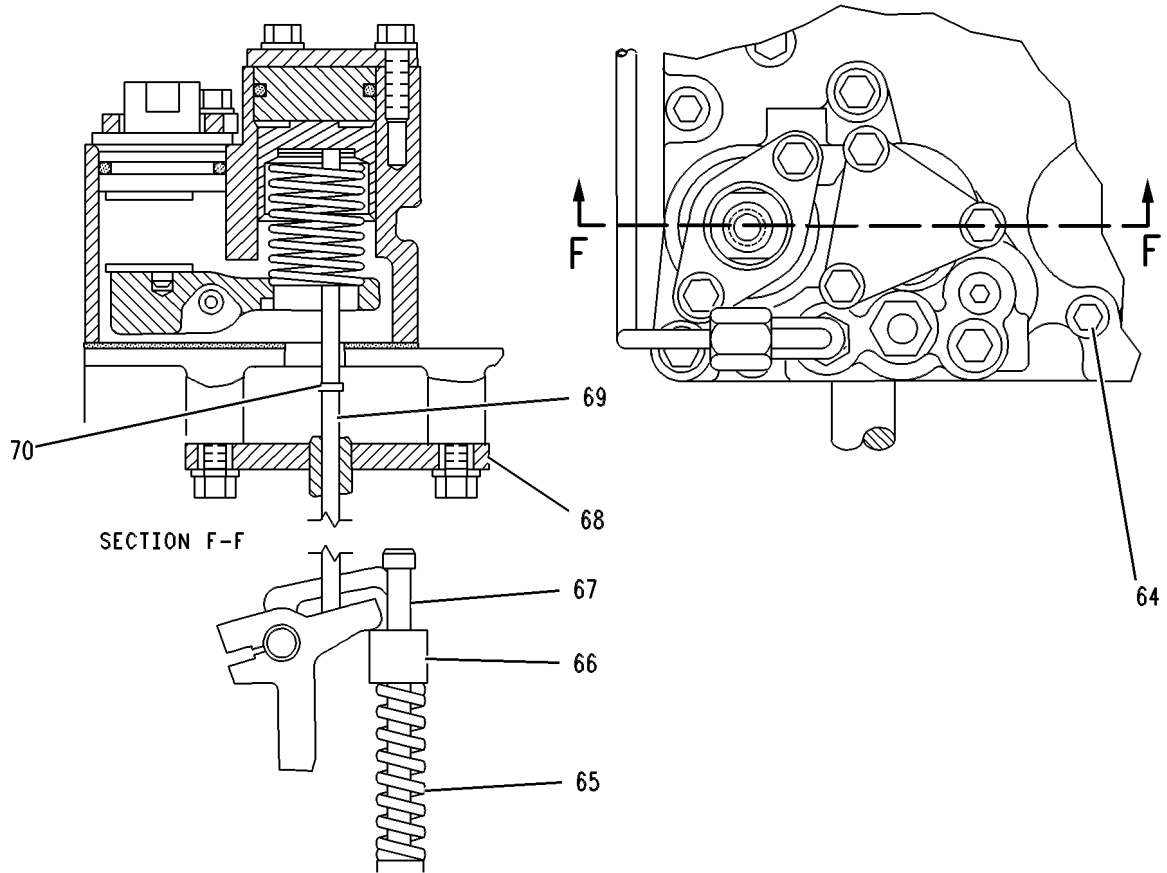
GRAPHIC #4

g00406575

FUEL SYSTEM

7C-2850 GOVERNOR GP (contd.)

102667624



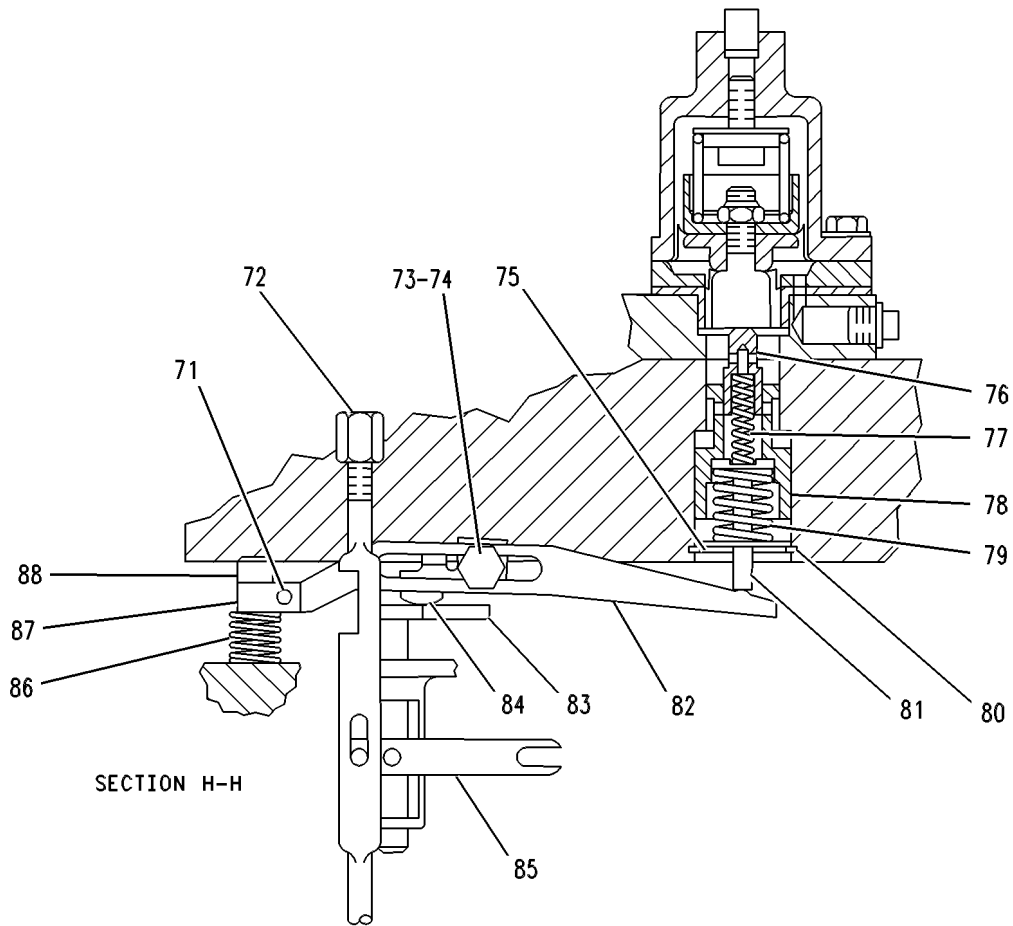
GRAPHIC #5

g00406576

FUEL SYSTEM

7C-2850 GOVERNOR GP (contd.)

102667624



GRAPHIC #6

<END>

g00406577

FUEL SYSTEM

7C-3023 GOVERNOR GP

WOODWARD 3161

PART OF 2W-8583, 8N-6714 GOVERNOR GP

AN ATTACHMENT

SMCS-1264, 1908

i00883972

NOTE	REF NO	GRAPHIC REF	PART NUMBER	QTY	PART NAME						SEE PAGE
					1	2	3	4	5	6 (PRODUCT LEVEL)	
	1	1	2W-4606	1	PLATE-ORIFICE						
	2	1	2W-0123	1	GASKET-PLATE						
Y	3	1	2W-0782	1	COVER GP-GOVERNOR						984
	4	1	1W-9781	1	GASKET-PLATE						
	5	1	2W-0778	1	COVER						
	6	1	1W-9780	1	GASKET						
	7	1	9L-9777	2	SETSCREW						
	8	1	2W-0446	1	STOP-LEVER						
	9	1	8H-0707	1	BOLT (1/4-20X1-IN)						
		1	3B-4504	1	LOCKWASHER						
	10	1	2W-0243	1	PLATE-IDENTIFICATION						
	11	1	2W-4315	1	VALVE-NEEDLE						
		1	2W-0224	1	SEAL-O-RING						
Y	12	1	2W-1458	1	HOUSING GP-GOVERNOR						1162
	13	1	9S-4185	1	PLUG (3/4-16-THD)						
		1	8L-2786	1	SEAL-O-RING						
	14	1	2W-0138	47	SCREW-FORMING (1/4-20X1-IN)						
Y	15	1	7C-3998	1	CONTROL GP-FUEL RATIO						970
	16	1	7C-3985	1	BASE						
	17	1	3B-4605	2	PIN-COTTER						
	18	1	4W-3176	2	PIN						
	19	1	2W-4624	1	PLUG-DETENT ADJUSTMENT						
	20	1	2W-0222	1	SEAL-O-RING						
	21	1	2W-0245	1	BRACKET AS						
	22	2	2W-4317	1	PLUG-SPRING						
	23	2	4W-7369	1	SLIDER AS-DROOP						
	24	2	2W-0282	3	SEAL-OIL						
	25	2	2W-4310	1	PIN						
	26	2	2W-4311	1	PIN						
	27	2	2W-4306	1	SPRING-LEVER						
	28	2	7C-0081	1	SHAFT						
	29	2	2W-0776	1	COVER-SHUTDOWN						
		2	1W-9782	1	GASKET-SHUTOFF						
	30	2	7C-3900	1	PLUG						
		2	5P-7812	1	SEAL-O-RING						
	31	3	2W-0124	1	GASKET						
	32	3	7W-5314	2	SPRING-BUFFER						
	33	3	2W-4307	1	PISTON						
	34	3	2W-0774	1	PLUG AS						
	35	3	5P-7812	2	SEAL-O-RING						
	36	3	2W-0140	1	SPRING-RETURN						
	37	3	2W-4316	1	SEAT-LOADING						
	38	3	2W-4321	1	LINK-LOADING						
	39	3	7C-3018	1	ORIFICE-GOVERNOR						
	40	3	4W-3177	1	LEVER AS-TERMINAL						
	41	3	1B-4201	1	NUT-FULL (1/4-28-THD)						

FUEL SYSTEM

7C-3023 GOVERNOR GP (contd.)

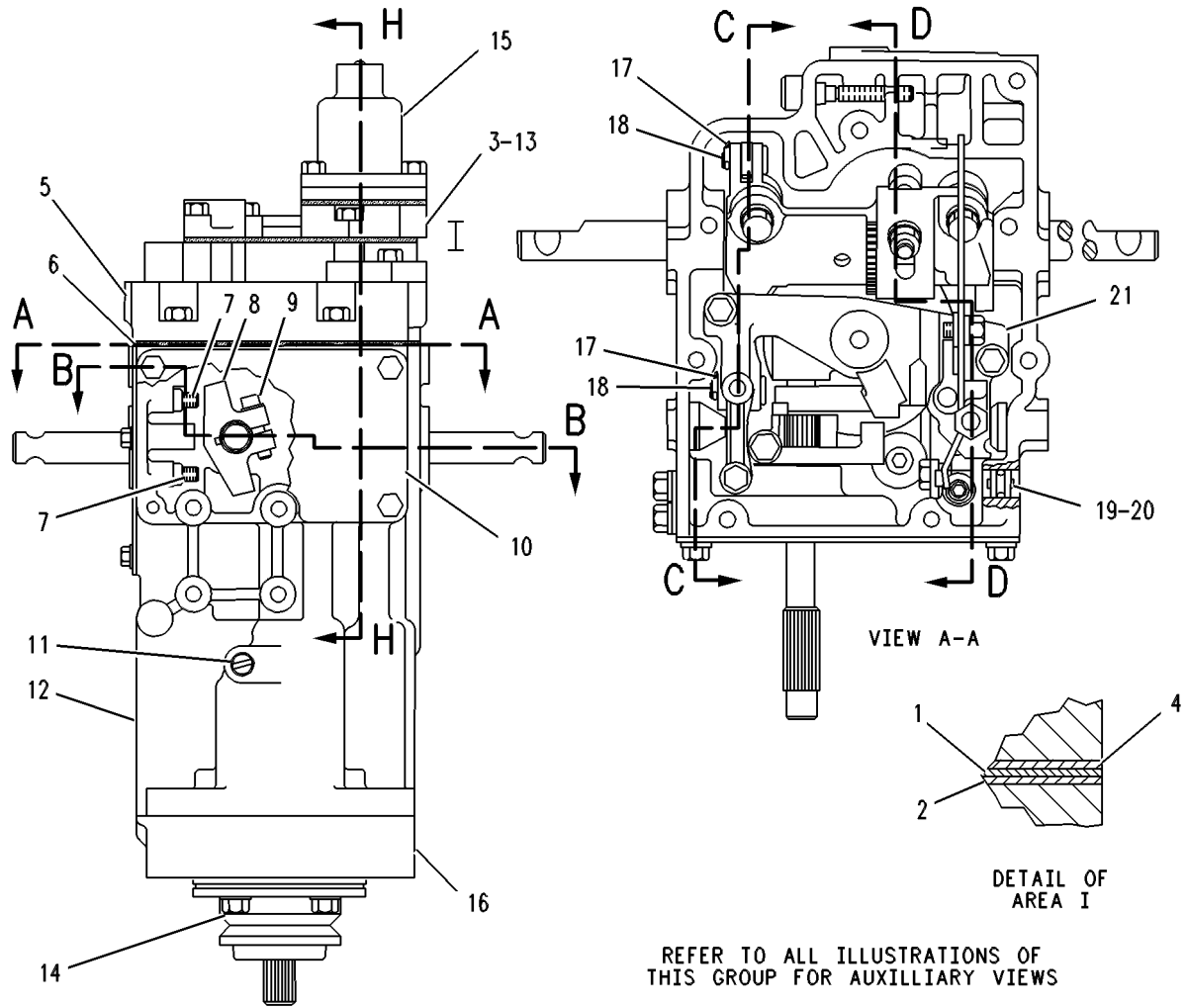
i00883972

NOTE	REF NO	GRAPHIC REF	PART NUMBER	QTY	PART NAME						SEE PAGE
					1	2	3	4	5	6 (PRODUCT LEVEL)	
	42	3	2W-4995	1	SETSCREW-SOCKET						
	43	3	2W-4305	1	LINK-CONNECTING						
	44	3	2W-4318	1	PISTON-SERVO						
	45	3	2W-6417	1	PIN-PISTON LINK						
	46	3	4W-3178	1	WASHER-WAVE						
	47	4	2W-4323	1	LEVER-FLOATING						
	48	4	2F-3219	1	NUT-ELASTIC STOP						
		4	5P-0537	1	WASHER-HARD (7.2X14.5X2-MM THK)						
	49	4	2W-4324	1	SEAT-ACCUMULATOR						
	50	4	2W-1645	1	SPRING						
	51	4	2W-4319	1	PISTON						
	52	4	2H-3429	1	RING-RETAINING						
	53	4	2W-0283	1	SPRING-PLUNGER						
	54	4	2W-4313	1	PLUNGER-VALVE						
	55	4	2W-1646	1	ROD-SHUTOFF						
	56	5	2W-0144	2	SHAFT-TERMINAL						
	57	5	7C-0078	1	SPRING						
Y	58	5	2W-1219	1	FLYWEIGHT GP						1030
	59	5	7C-3988	1	COUPLING AS-DRIVE						
	60	5	2W-0447	1	LEVER-SETTING						
Y	61	5	7C-3982	1	PUMP GP-GEAR (GOVERNOR)						1250
	62	6	2W-4994	1	SPRING						
	63	6	2W-5005	1	BLOCK-PIVOT						
	64	6	2W-5869	1	BOLT-SOCKET HEAD						
	65	6	2F-6721	1	PIN-RACK						
	66	6	2W-1228	1	NUT-SHUTDOWN ADJUSTMENT (1/4-28-THD)						
	67	6	2W-4617	1	PLUNGER						
	68	6	2W-4997	1	SPRING-RETURN						
	69	6	2W-4626	1	PISTON-LIMITER						
	70	6	2W-4999	1	SPRING-RETURN						
	71	6	4D-1322	1	RING-RETAINING						
	72	6	2W-4613	1	ROD-OUTPUT						
	73	6	2W-4635	1	LEVER-LIMITER						
	74	6	2W-4620	1	SEAT-SPRING						
	75	6	2W-5975	1	SCREW-BOLT (1/4-28X0.5-IN)						
	76	6	3L-6759	1	WASHER						
	77	6	2W-5014	1	ROD AS						
	78	6	2W-4608	1	CAMSHAFT-LINK						
	79	6	2W-5011	1	LEVER AS						
					AVAILABLE REPAIR KIT(S):						
			4W-7628	1	KIT-GOVERNOR REPAIR						
					(INCLUDES BEARINGS, PINS, RINGS, SEALS, GASKETS & RACE)						
Y - SEPARATE ILLUSTRATION											

FUEL SYSTEM

7C-3023 GOVERNOR GP (contd.)

i00883972



REFER TO ALL ILLUSTRATIONS OF THIS GROUP FOR AUXILLIARY VIEWS

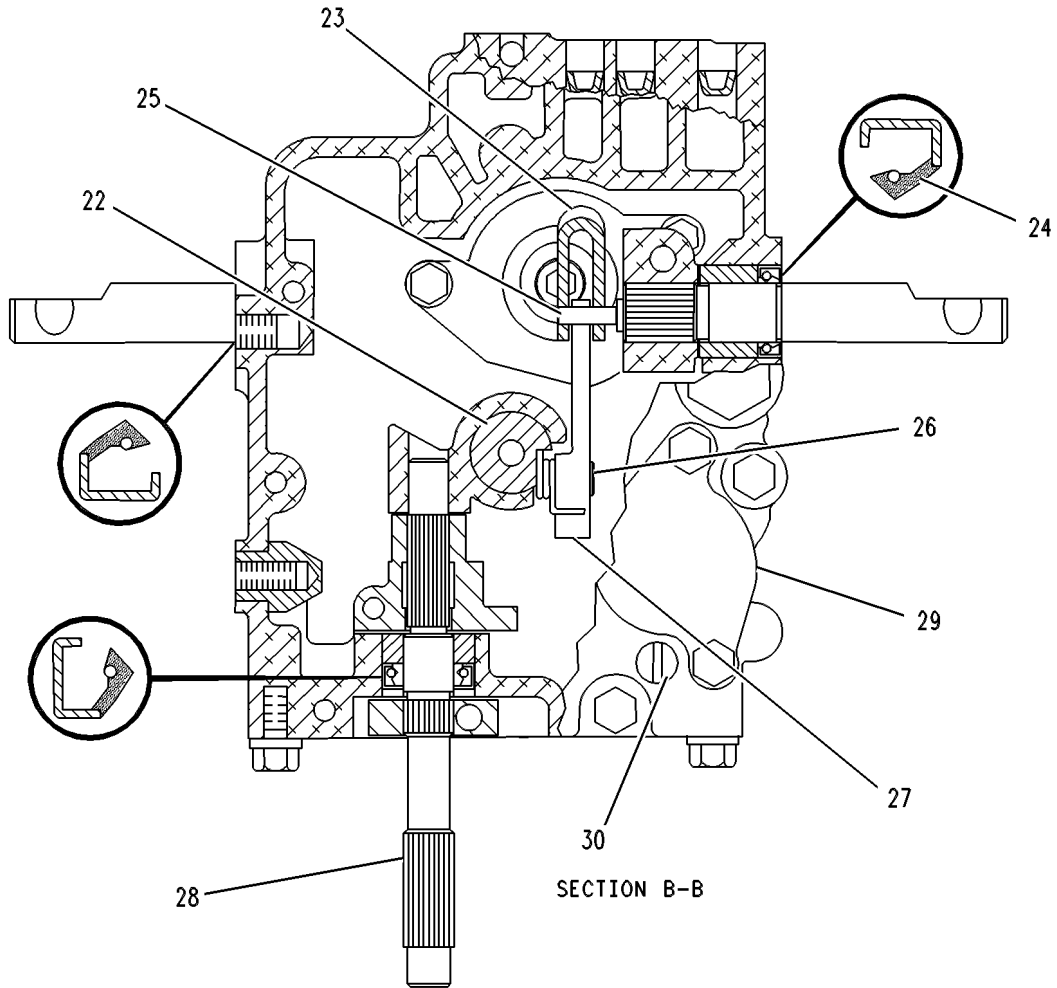
GRAPHIC #1

g00406578

FUEL SYSTEM

7C-3023 GOVERNOR GP (contd.)

i00883972



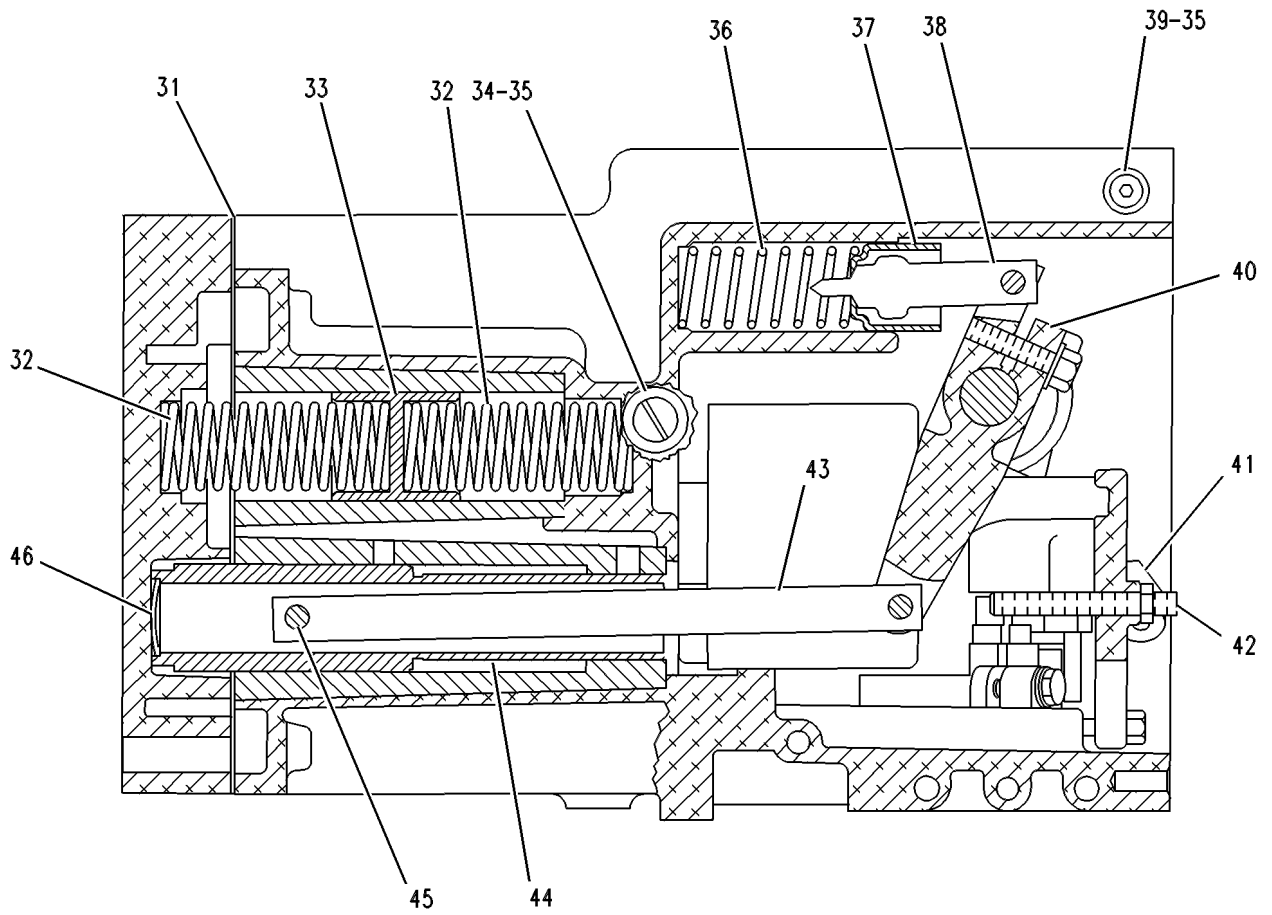
GRAPHIC #2

g00406579

FUEL SYSTEM

7C-3023 GOVERNOR GP (contd.)

i00883972



SECTION C-C

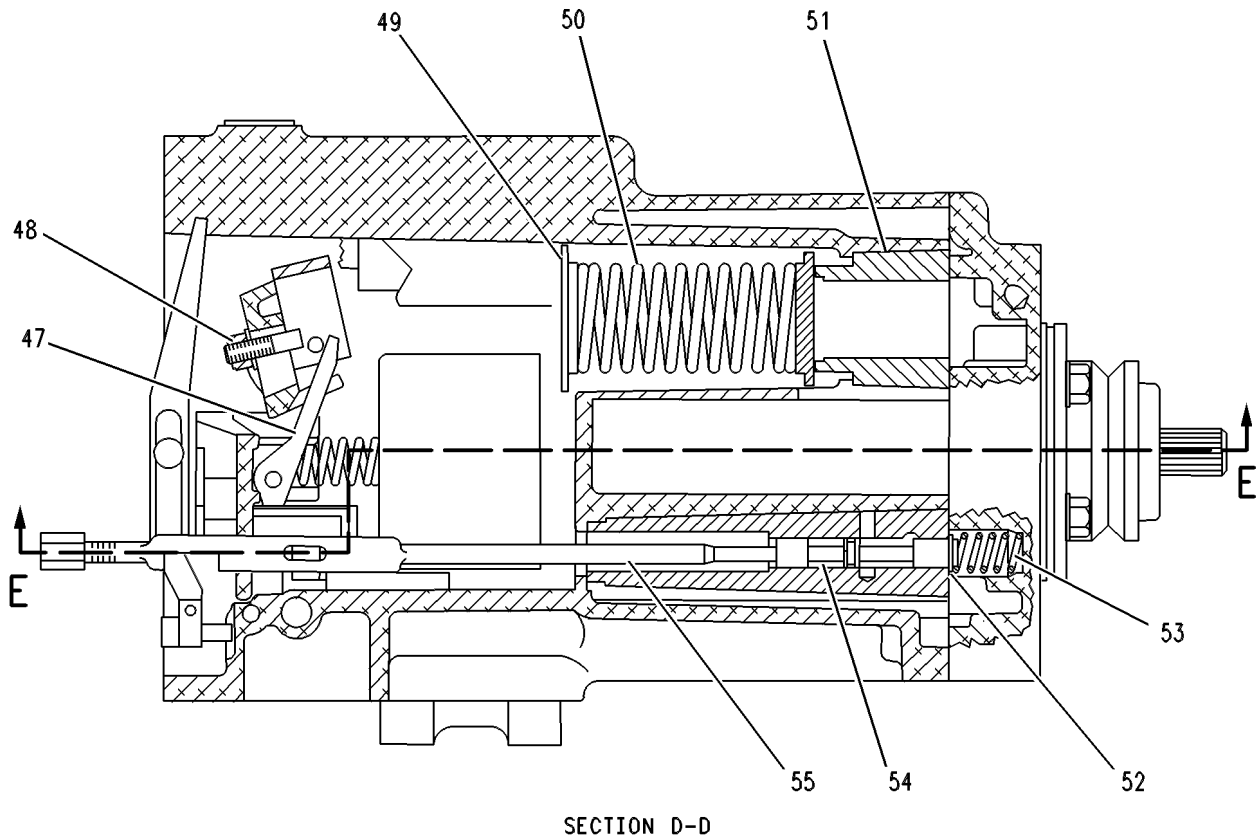
GRAPHIC #3

g00406580

FUEL SYSTEM

7C-3023 GOVERNOR GP (contd.)

i00883972



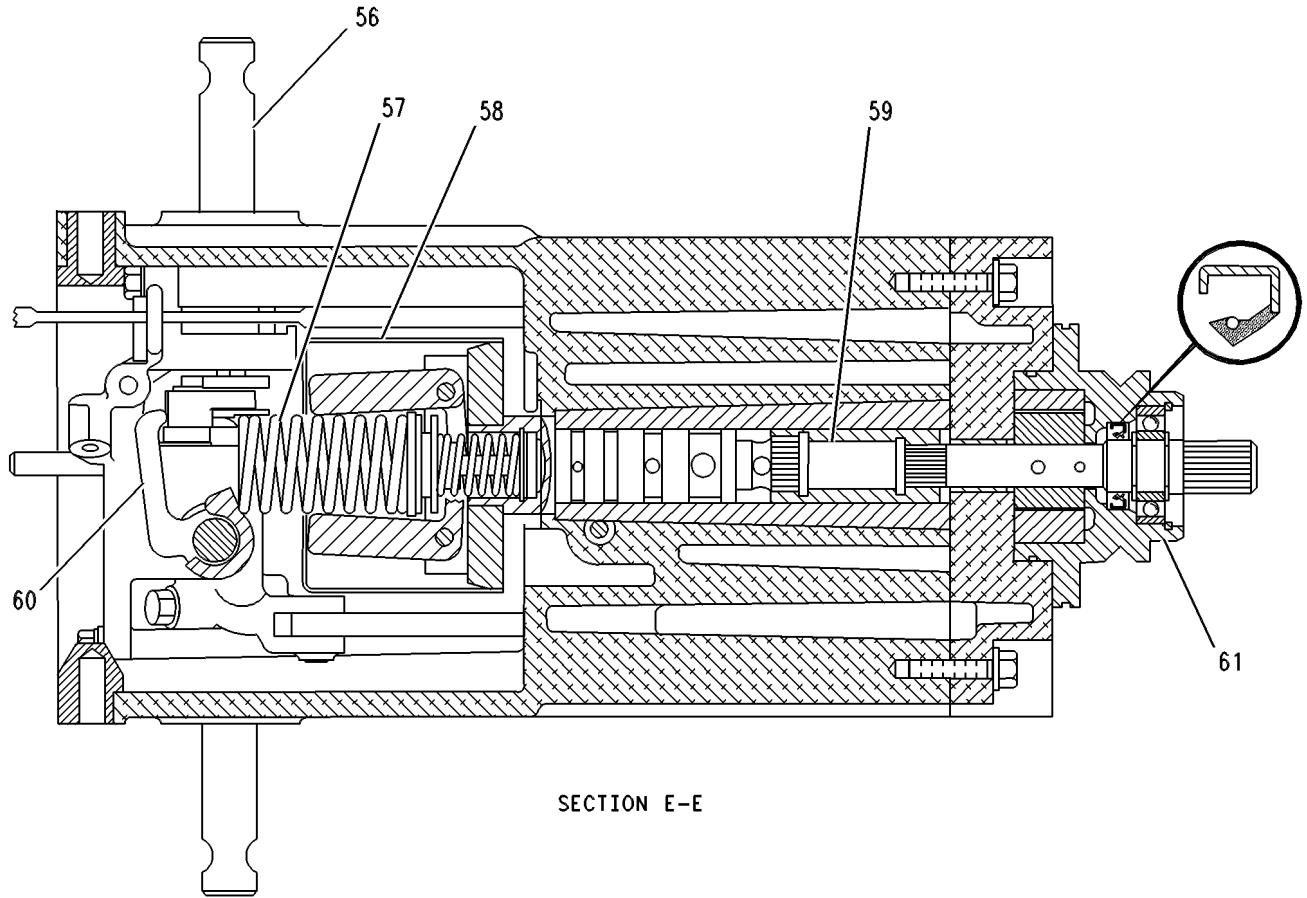
GRAPHIC #4

g00406581

FUEL SYSTEM

7C-3023 GOVERNOR GP (contd.)

100883972



SECTION E-E

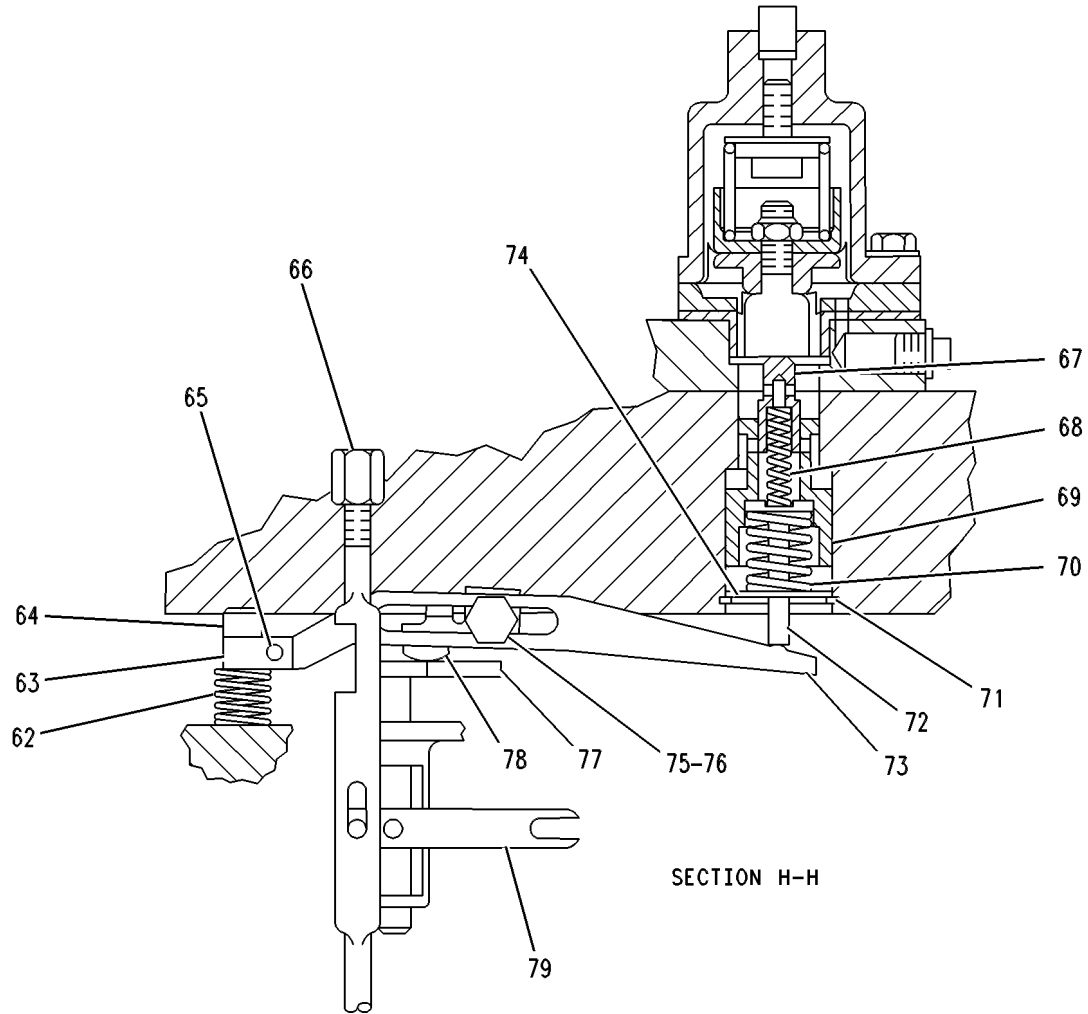
GRAPHIC #5

g00406582

FUEL SYSTEM

7C-3023 GOVERNOR GP (contd.)

i00883972



GRAPHIC #6

<END>

g00406583

FUEL SYSTEM

7C-5681 GOVERNOR GP

S/N: 50Y647-814; 66Z190-343

WOODWARD 3161

PART OF 2W-8583, 8N-6714 GOVERNOR GP
AN ATTACHMENT

SMCS-1264, 1908

i00883977

NOTE	REF NO	GRAPHIC REF	PART NUMBER	QTY	PART NAME						SEE PAGE
					1	2	3	4	5	6 (PRODUCT LEVEL)	
	1	1	2W-4606	1	PLATE-ORIFICE						
	2	1	2W-0123	1	GASKET-PLATE						
Y	3	1	2W-0782	1	COVER GP-GOVERNOR						984
	4	1	1W-9781	1	GASKET-PLATE						
	5	1	2W-0778	1	COVER						
	6	1	1W-9780	1	GASKET						
	7	1	9L-9777	2	SETSCREW						
	8	1	2W-0446	1	STOP-LEVER						
	9	1	8H-0707	1	BOLT (1/4-20X1-IN)						
		1	3B-4504	1	LOCKWASHER						
	10	1	2W-0243	1	PLATE-IDENTIFICATION						
	11	1	2W-4315	1	VALVE-NEEDLE						
		1	2W-0224	1	SEAL-O-RING						
Y	12	1	2W-1458	1	HOUSING GP-GOVERNOR						1162
	13	1	9S-4185	1	PLUG (3/4-16-THD)						
		1	8L-2786	1	SEAL-O-RING						
	14	1	2W-0138	47	SCREW-FORMING (1/4-20X1-IN)						
Y	15	1	7C-3998	1	CONTROL GP-FUEL RATIO						970
	16	1	7C-3985	1	BASE						
	17	1	3B-4605	2	PIN-COTTER						
	18	1	4W-3176	2	PIN						
Y	19	1	2W-2643	1	CONTROL GP-GOVERNOR						976
	20	1	2W-0245	1	BRACKET AS						
	21	2	2W-4317	1	PLUG-SPRING						
	22	2	2W-0148	1	SLIDER AS						
	23	2	2W-0282	3	SEAL-OIL						
	24	2	2W-4310	1	PIN						
	25	2	2W-4311	1	PIN						
	26	2	2W-4306	1	SPRING-LEVER						
	27	2	7C-0081	1	SHAFT						
	28	2	2W-0776	1	COVER-SHUTDOWN						
		2	1W-9782	1	GASKET-SHUTOFF						
	29	2	7C-3900	1	PLUG						
		2	5P-7812	1	SEAL-O-RING						
	30	3	2W-0124	1	GASKET						
	31	3	7C-4262	2	SPRING-BUFFER						
	32	3	2W-4307	1	PISTON						
	33	3	2W-0774	1	PLUG AS						
	34	3	5P-7812	2	SEAL-O-RING						
	35	3	2W-0140	1	SPRING-RETURN						
	36	3	2W-4316	1	SEAT-LOADING						
	37	3	2W-4321	1	LINK-LOADING						
	38	3	7C-3018	1	ORIFICE-GOVERNOR						
	39	3	4W-3177	1	LEVER AS-TERMINAL						
	40	3	1B-4201	1	NUT-FULL (1/4-28-THD)						

FUEL SYSTEM

7C-5681 GOVERNOR GP (contd.)

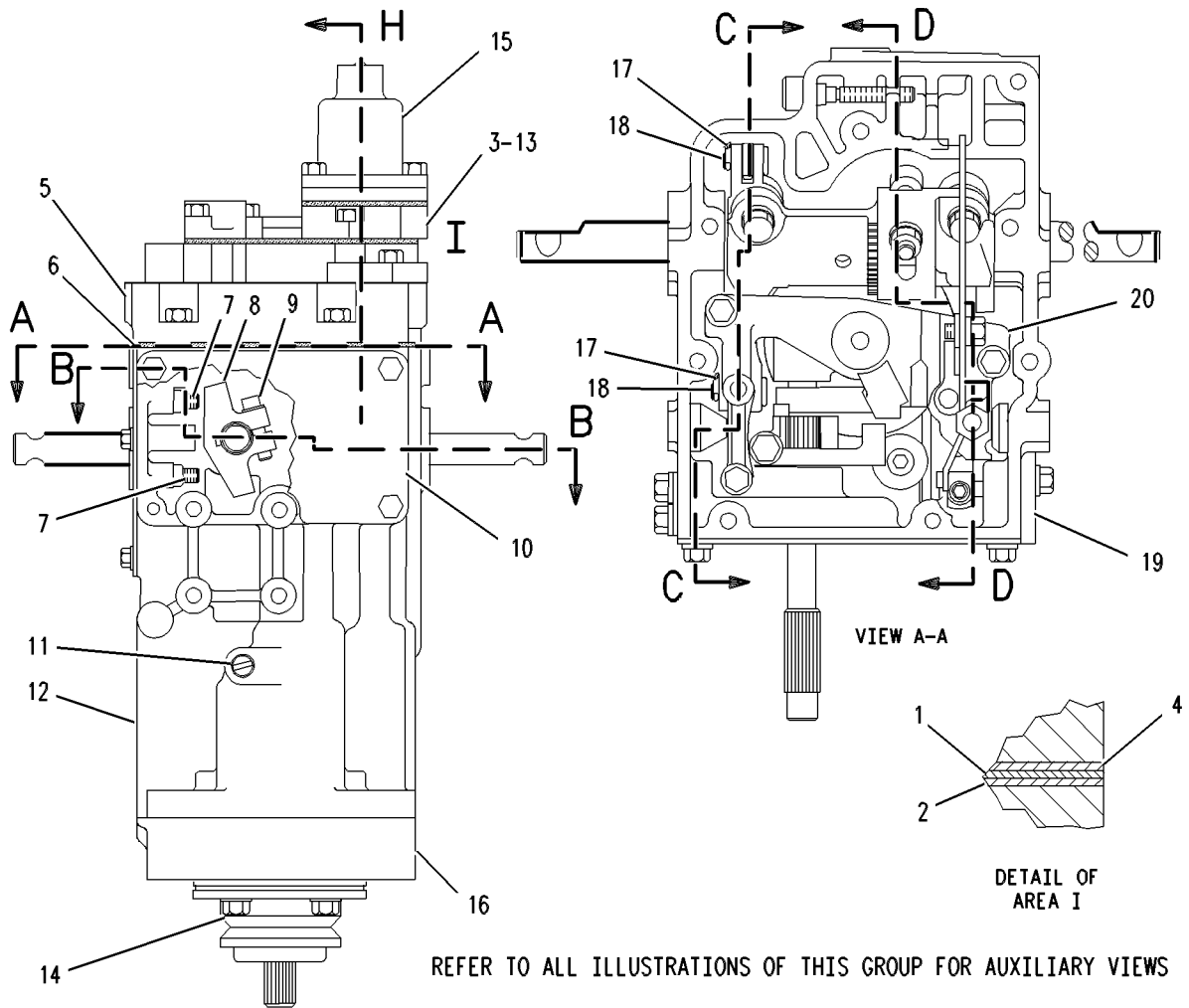
i00883977

NOTE	REF NO	GRAPHIC REF	PART NUMBER	QTY	PART NAME						SEE PAGE
					1	2	3	4	5	6 (PRODUCT LEVEL)	
	41	3	2W-4995	1	SETSCREW-SOCKET						
	42	3	2W-4305	1	LINK-CONNECTING						
	43	3	2W-4318	1	PISTON-SERVO						
	44	3	2W-6417	1	PIN-PISTON LINK						
	45	3	4W-3178	1	WASHER-WAVE						
	46	4	2W-4323	1	LEVER-FLOATING						
	47	4	2F-3219	1	NUT-ELASTIC STOP						
		4	5P-0537	1	WASHER-HARD (7.2X14.5X2-MM THK)						
	48	4	2W-4324	1	SEAT-ACCUMULATOR						
	49	4	2W-1645	1	SPRING						
	50	4	2W-4319	1	PISTON						
	51	4	2H-3429	1	RING-RETAINING						
	52	4	2W-0283	1	SPRING-PLUNGER						
	53	4	2W-4313	1	PLUNGER-VALVE						
	54	4	2W-1646	1	ROD-SHUTOFF						
	55	5	2W-0144	2	SHAFT-TERMINAL						
	56	5	7C-0078	1	SPRING						
Y	57	5	2W-1219	1	FLYWEIGHT GP						1030
	58	5	7C-3988	1	COUPLING AS-DRIVE						
	59	5	2W-0447	1	LEVER-SETTING						
Y	60	5	7C-3982	1	PUMP GP-GEAR (GOVERNOR)						1250
	61	6	2W-4994	1	SPRING						
	62	6	2W-5005	1	BLOCK-PIVOT						
	63	6	2W-5869	1	BOLT-SOCKET HEAD						
	64	6	2F-6721	1	PIN-RACK						
	65	6	2W-1228	1	NUT-SHUTDOWN ADJUSTMENT (1/4-28-THD)						
	66	6	2W-4617	1	PLUNGER						
	67	6	2W-4997	1	SPRING-RETURN						
	68	6	2W-4626	1	PISTON-LIMITER						
	69	6	2W-4999	1	SPRING-RETURN						
	70	6	4D-1322	1	RING-RETAINING						
	71	6	2W-4613	1	ROD-OUTPUT						
	72	6	2W-4635	1	LEVER-LIMITER						
	73	6	2W-4620	1	SEAT-SPRING						
	74	6	2W-5975	1	SCREW-BOLT (1/4-28X0.5-IN)						
	75	6	3L-6759	1	WASHER						
	76	6	2W-5014	1	ROD AS						
	77	6	2W-4608	1	CAMSHAFT-LINK						
	78	6	2W-5011	1	LEVER AS						
					AVAILABLE REPAIR KIT(S):						
			4W-7628	1	KIT-GOVERNOR REPAIR						
					(INCLUDES BEARINGS, PINS, RINGS, SEALS, GASKETS & RACE)						
Y - SEPARATE ILLUSTRATION											

FUEL SYSTEM

7C-5681 GOVERNOR GP (contd.)

i00883977



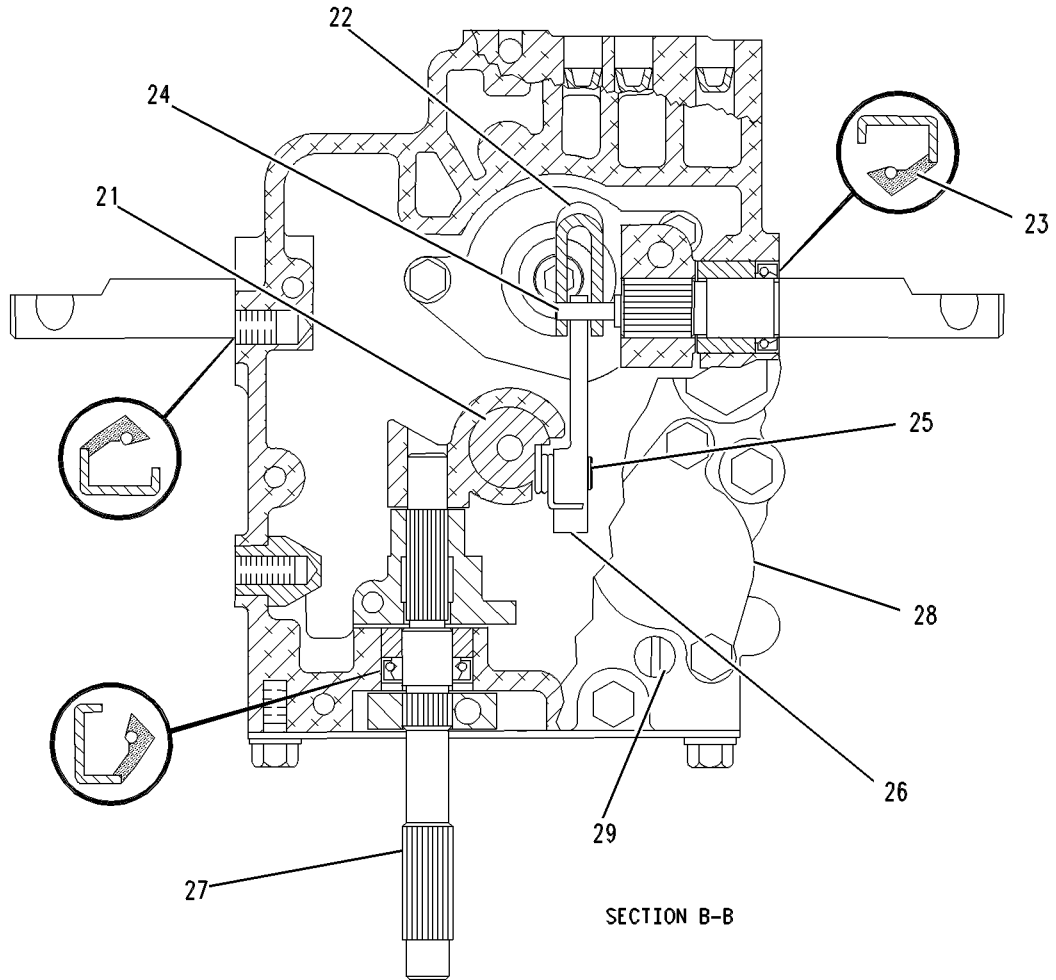
GRAPHIC #1

g00408249

FUEL SYSTEM

7C-5681 GOVERNOR GP (contd.)

i00883977



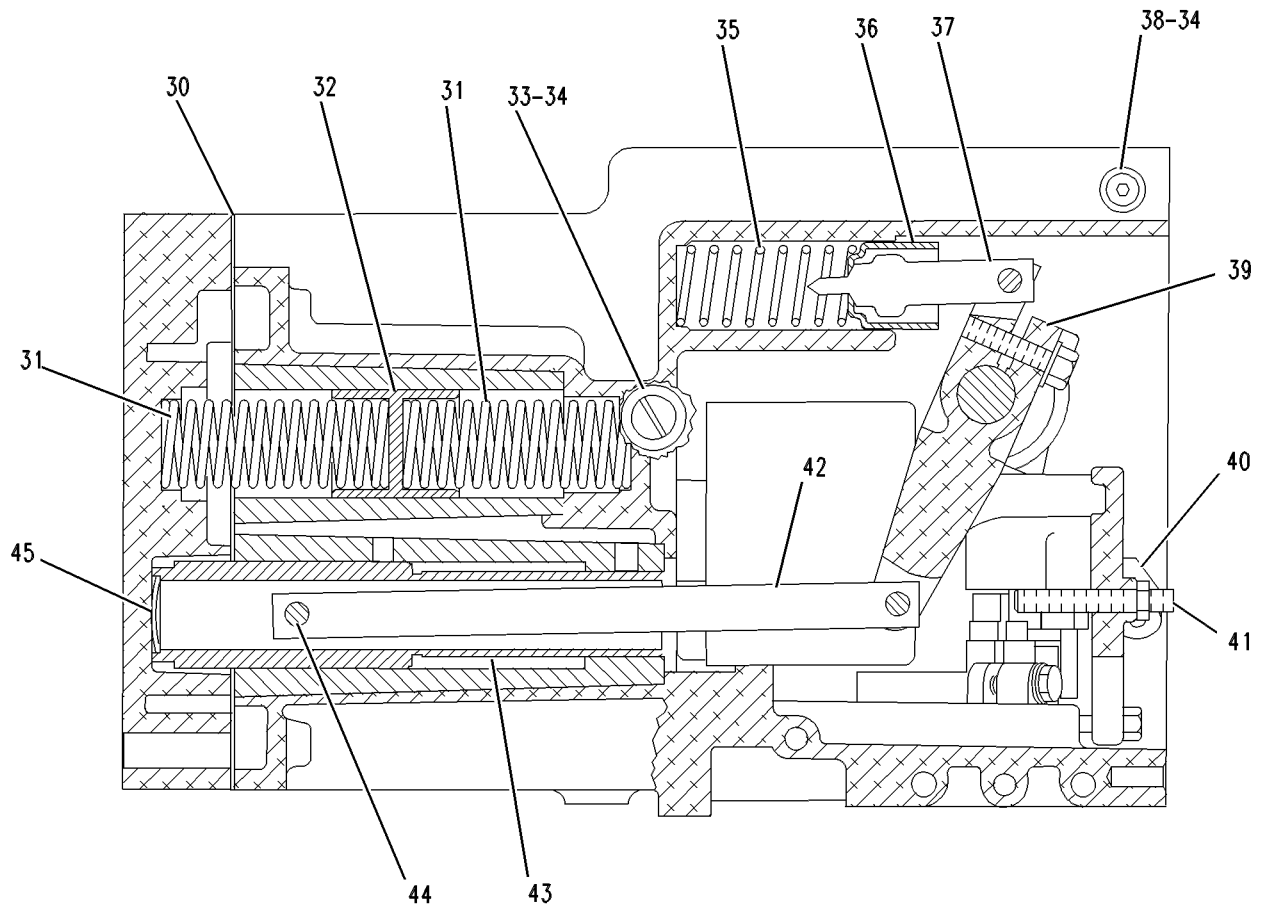
GRAPHIC #2

g00408250

FUEL SYSTEM

7C-5681 GOVERNOR GP (contd.)

i00883977



SECTION C-C

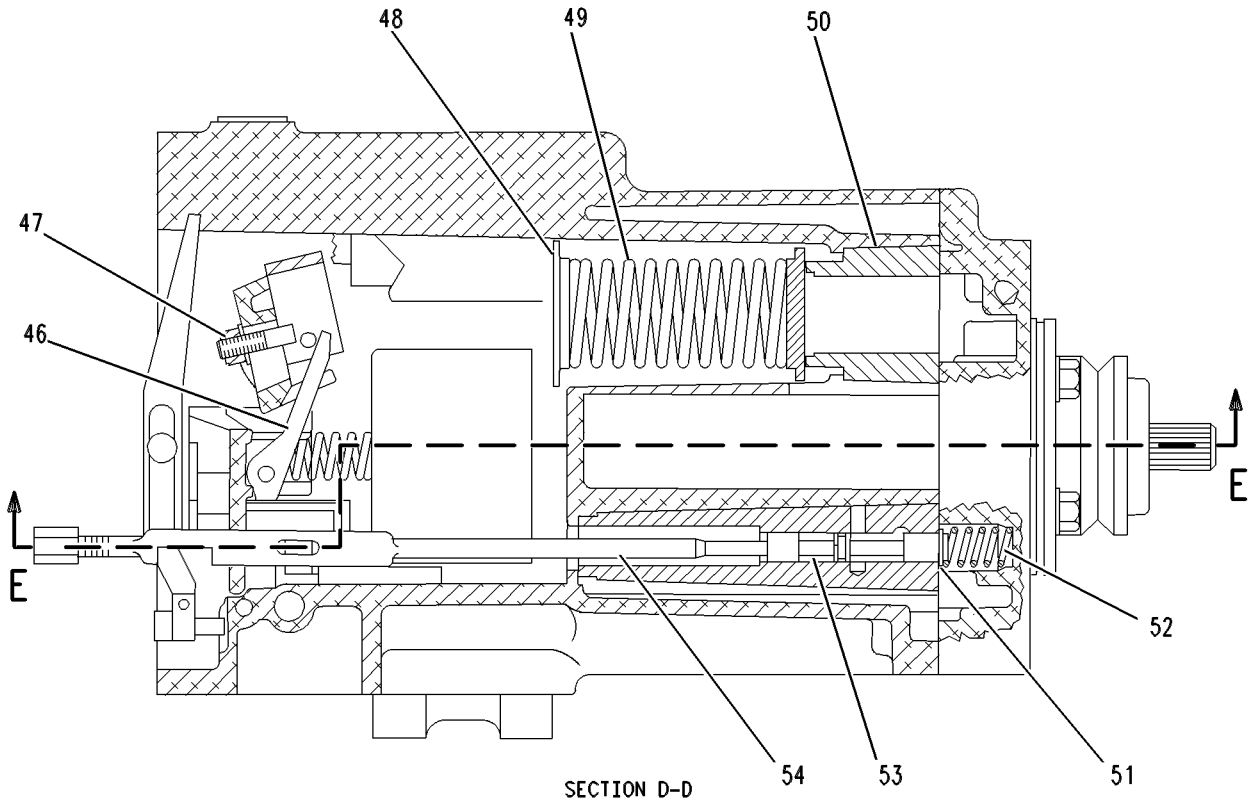
GRAPHIC #3

g00408251

FUEL SYSTEM

7C-5681 GOVERNOR GP (contd.)

i00883977



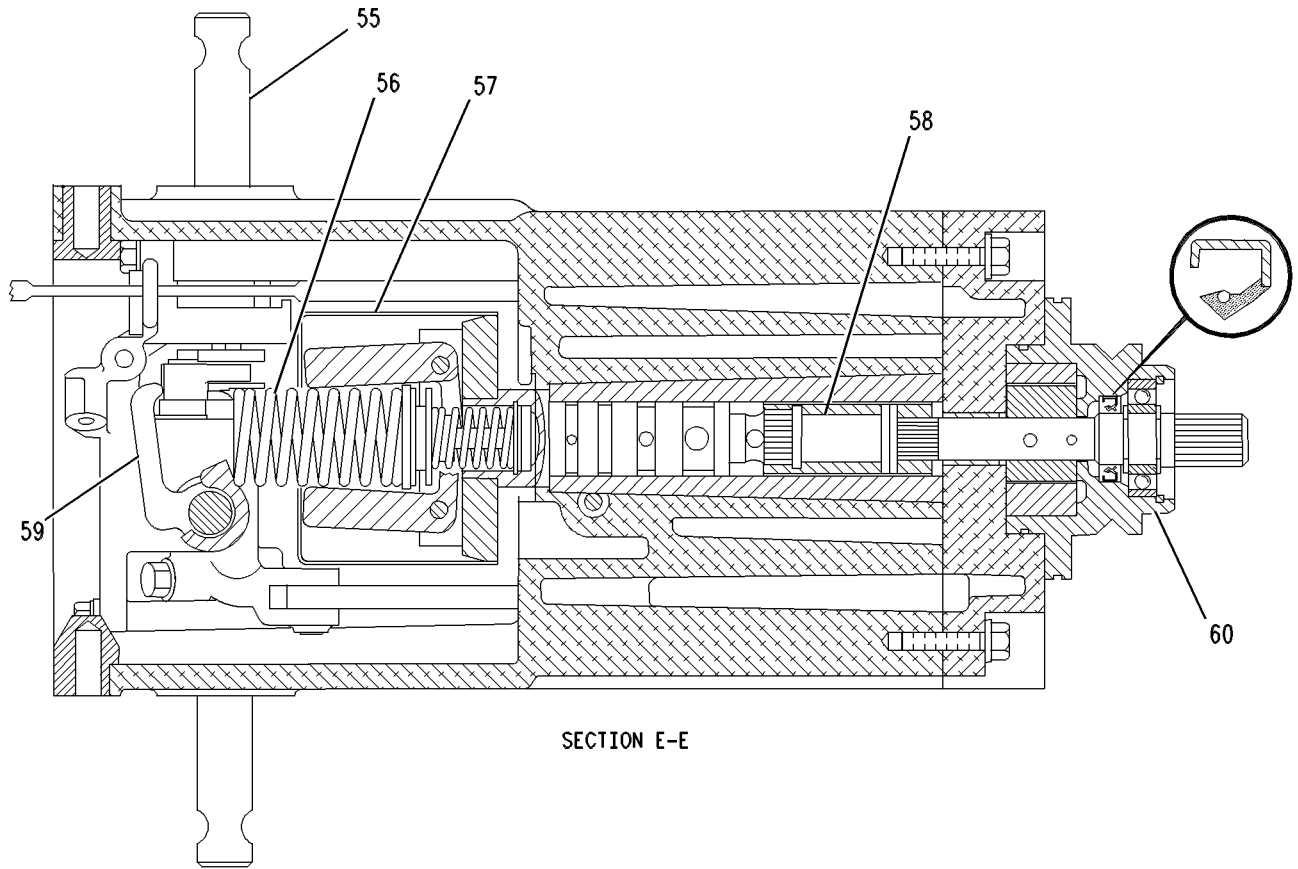
GRAPHIC #4

g00408252

FUEL SYSTEM

7C-5681 GOVERNOR GP (contd.)

i00883977



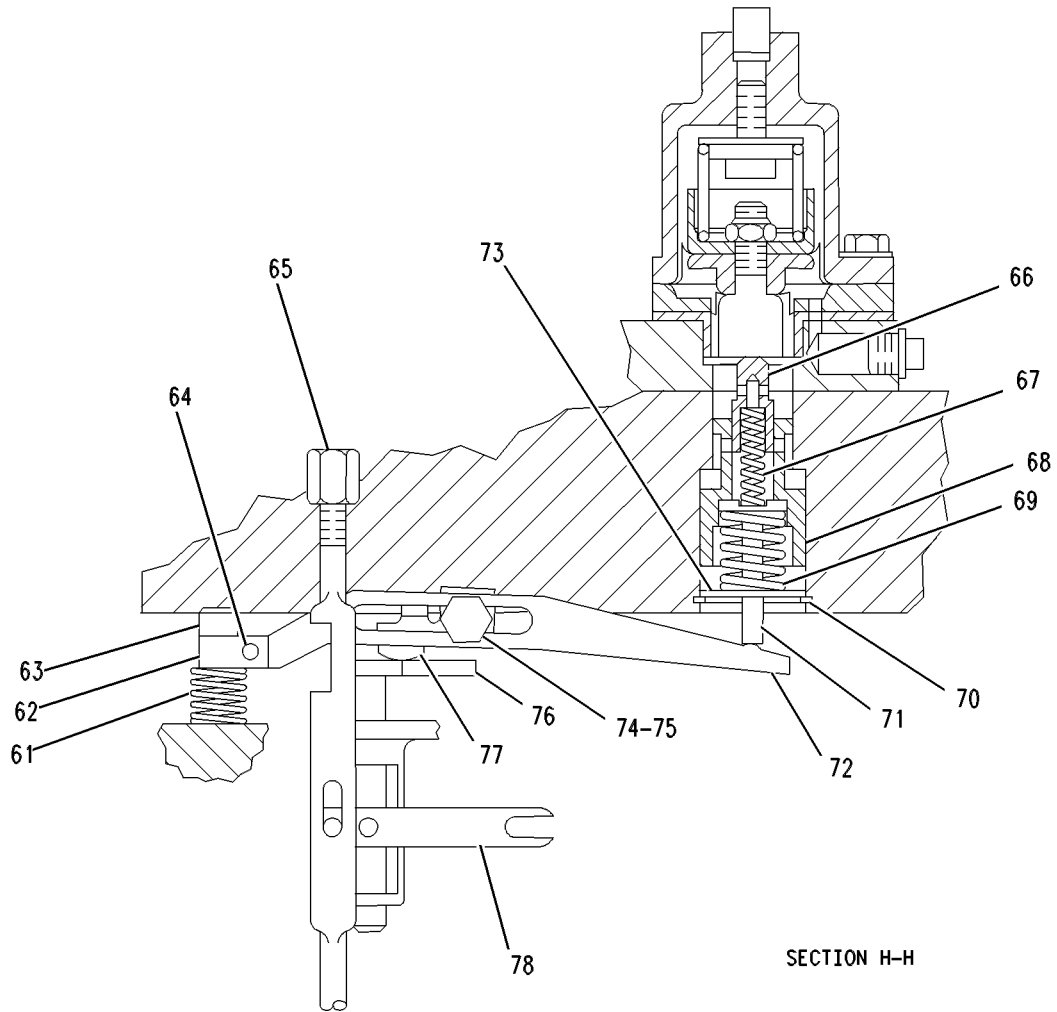
GRAPHIC #5

g00408253

FUEL SYSTEM

7C-5681 GOVERNOR GP (contd.)

i00883977



GRAPHIC #6

<END>

g00408254

FUEL SYSTEM

7E-1457 GOVERNOR GP

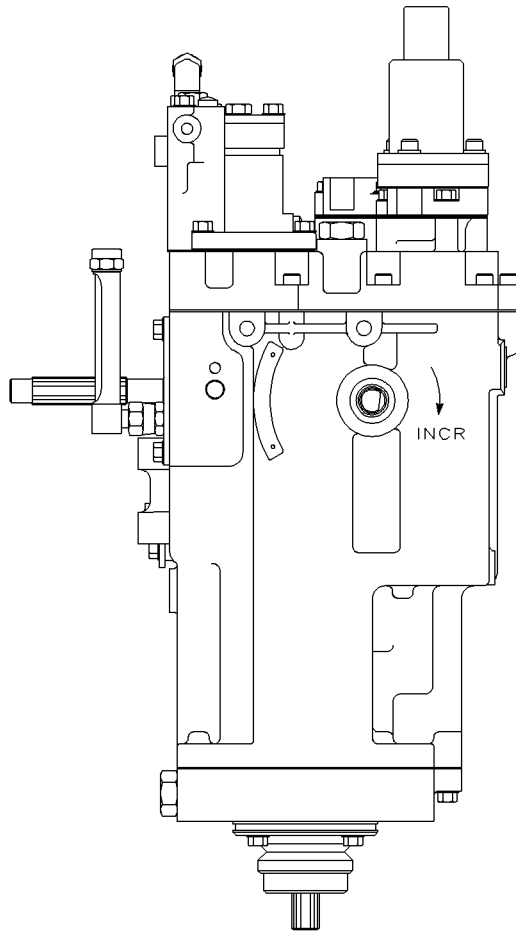
PROVIDES LOW SPEED MARINE GOVERNOR FOR 1200 RPM OPERATION WITH STANDARD ROTATION AND
2 PERCENT DROOP
AN ATTACHMENT

SMCS-1264, 1908

i01809764

NOTE	REF NO	GRAPHIC REF	PART NUMBER	QTY	PART NAME 1 2 3 4 5 6 (PRODUCT LEVEL)	SEE PAGE
------	-----------	----------------	-------------	-----	--	-------------

(NO SERVICED PARTS)



GRAPHIC #1

<END>

g00924872

FUEL SYSTEM

7E-4537 GOVERNOR GP

S/N: 50Y854-874; 66Z360-578

PART OF 1W-5021, 7W-3332, 7W-3333, 8N-6712 GOVERNOR GP
ALSO AN ATTACHMENT

SMCS-1264, 1908

i02667622

NOTE	REF NO	GRAPHIC REF	PART NUMBER	QTY	PART NAME						SEE PAGE
					1	2	3	4	5	6 (PRODUCT LEVEL)	
	1	1	2W-4633	1	TUBE						
	2	1	030-7946	2	ELBOW						
		1	6V-5048	2	SEAL-O-RING						
	3	1	9Y-2765	1	COVER-SETTING						
Y	4	1	7C-3999	1	CONTROL GP-GOVERNOR						981
	5	1	2W-0779	1	COVER						
	6	1	1W-9780	1	GASKET						
	7	1	9L-9777	1	SETSCREW						
	8	1	7E-3449	1	STOP						
	9	1	8H-0707	1	BOLT (1/4-20X1-IN)						
		1	3B-4504	1	LOCKWASHER						
	10	1	2W-0243	1	PLATE-IDENTIFICATION (LEVER & DROOP)						
	11	1	7E-0924	1	SCREW AS-STOP						
Y	12	1	7E-5416	1	HOUSING GP-GOVERNOR						1163
	13	1	1W-9781	2	GASKET-PLATE						
	14	1	2W-0138	38	SCREW-FORMING (1/4-20X1-IN)						
	15	1	9Y-2715	1	CONTROL GP-FUEL RATIO						
	16	1	7C-3985	1	BASE						
	17	1	3B-4605	2	PIN-COTTER						
	18	1	4W-3176	2	PIN						
Y	19	1	2W-2643	1	CONTROL GP-GOVERNOR						976
	20	1	7C-4431	1	BRACKET AS-PLUG						
	21	1	2W-4606	1	PLATE-ORIFICE						
	22	2	2W-4317	1	PLUG-SPRING						
	23	2	7E-4848	1	SLIDER AS						
	24	2	2W-0282	3	SEAL-OIL						
	25	2	2W-4310	1	PIN						
	26	2	2W-4311	1	PIN						
	27	2	2W-4306	1	SPRING-LEVER						
	28	2	7E-0915	1	SHAFT-SETTING (SPEED)						
	29	2	2W-0124	1	GASKET						
	30	2	7C-4262	2	SPRING-BUFFER						
	31	2	2W-4307	1	PISTON						
	32	2	9S-4185	1	PLUG (3/4-16-THD)						
		2	8L-2786	1	SEAL-O-RING						
	33	2	5P-7812	1	SEAL-O-RING						
	34	2	2W-0140	1	SPRING-RETURN						
	35	2	2W-4316	1	SEAT-LOADING						
	36	2	2W-4321	1	LINK-LOADING						
	37	2	7C-3018	1	ORIFICE-GOVERNOR						
	38	2	7E-0909	1	LEVER AS-TERMINAL						
	39	2	1B-4201	1	NUT-FULL (1/4-28-THD)						
	40	2	2W-4995	1	SETSCREW-SOCKET						
	41	2	2W-4305	1	LINK-CONNECTING						
	42	2	2W-4318	1	PISTON-SERVO						
	43	2	2W-6417	1	PIN-PISTON LINK						

FUEL SYSTEM

7E-4537 GOVERNOR GP (contd.)

102667622

NOTE	REF NO	GRAPHIC REF	PART NUMBER	QTY	PART NAME						SEE PAGE
					1	2	3	4	5	6 (PRODUCT LEVEL)	
	44	2	4W-3178	1	WASHER-WAVE (SPRING)						
	45	2	2W-0776	1	COVER-SHUTDOWN						
	46	2	1W-9782	1	GASKET-SHUTOFF						
	47	3	2W-5874	1	LEVER-SETTING						
	48	3	2F-3219	1	NUT-ELASTIC STOP						
		3	5P-0537	1	WASHER-HARD (7.2X14.5X2-MM THK)						
	49	3	2W-4324	1	SEAT-ACCUMULATOR						
	50	3	2W-1645	1	SPRING						
	51	3	2W-4319	1	PISTON						
	52	3	2H-3429	1	RING-RETAINING						
	53	3	2W-0283	1	SPRING-PLUNGER						
	54	3	2W-4313	1	PLUNGER-VALVE						
	55	3	2W-1646	1	ROD-SHUTOFF						
	56	3	7E-0907	1	SCREW AS-DROOP						
	57	4	2W-0144	2	SHAFT-TERMINAL						
	58	4	7C-0078	1	SPRING						
Y	59	4	2W-0233	1	FLYWEIGHT GP						1028
	60	4	7C-3988	1	COUPLING AS-DRIVE (SOLID)						
Y	61	4	9Y-1588	1	PUMP GP-GEAR (GOVERNOR)						1251
	62	4	2W-0447	1	LEVER-SETTING						
	63	5	7C-3900	1	PLUG						
		5	5P-7812	1	SEAL-O-RING						
	64	5	2W-1476	1	SPRING						
	65	5	2W-4619	1	SEAT						
	66	5	2W-5916	1	SCREW (1/4-28X4.5-IN)						
	67	5	7C-0077	1	GUIDE AS-ROD						
	68	5	2W-4622	1	ROD						
	69	5	5P-4672	1	RING-RETAINING						
	70	5	8H-0707	9	BOLT (1/4-20X1-IN)						
	71	6	2W-4994	1	SPRING						
	72	6	2W-5005	1	BLOCK-PIVOT						
	73	6	1A-8912	2	WASHER (6.7X12.7X1.6-MM THK)						
	74	6	2F-6721	1	PIN-RACK						
	75	6	2W-1228	1	NUT-SHUTDOWN ADJUSTMENT (1/4-28-THD)						
	76	6	7C-8918	1	WASHER-BIMETAL						
	77	6	9Y-2763	1	WASHER-SPRING						
	78	6	9Y-2762	1	SPACER						
	79	6	4D-1322	1	RING-RETAINING						
	80	6	2W-4635	1	LEVER-LIMITER						
	81	6	2W-5975	1	SCREW-BOLT (1/4-28X0.5-IN)						
	82	6	3L-6759	1	WASHER						
	83	6	2W-5014	1	ROD AS						
	84	6	2W-4608	1	CAMSHAFT-LINK						
	85	6	2W-5011	1	LEVER AS						
M	86	6	7C-8919	1	BOLT (1/4-28X1.75-IN)						
	87	6	7C-8917	1	WASHER-BIMETAL						
					AVAILABLE REPAIR KIT(S):						
			9Y-2716	1	KIT-FUEL RATIO CONTROL						
					(INCLUDES PIN, GASKET, SEAL, & DIAPHRAGMS)						

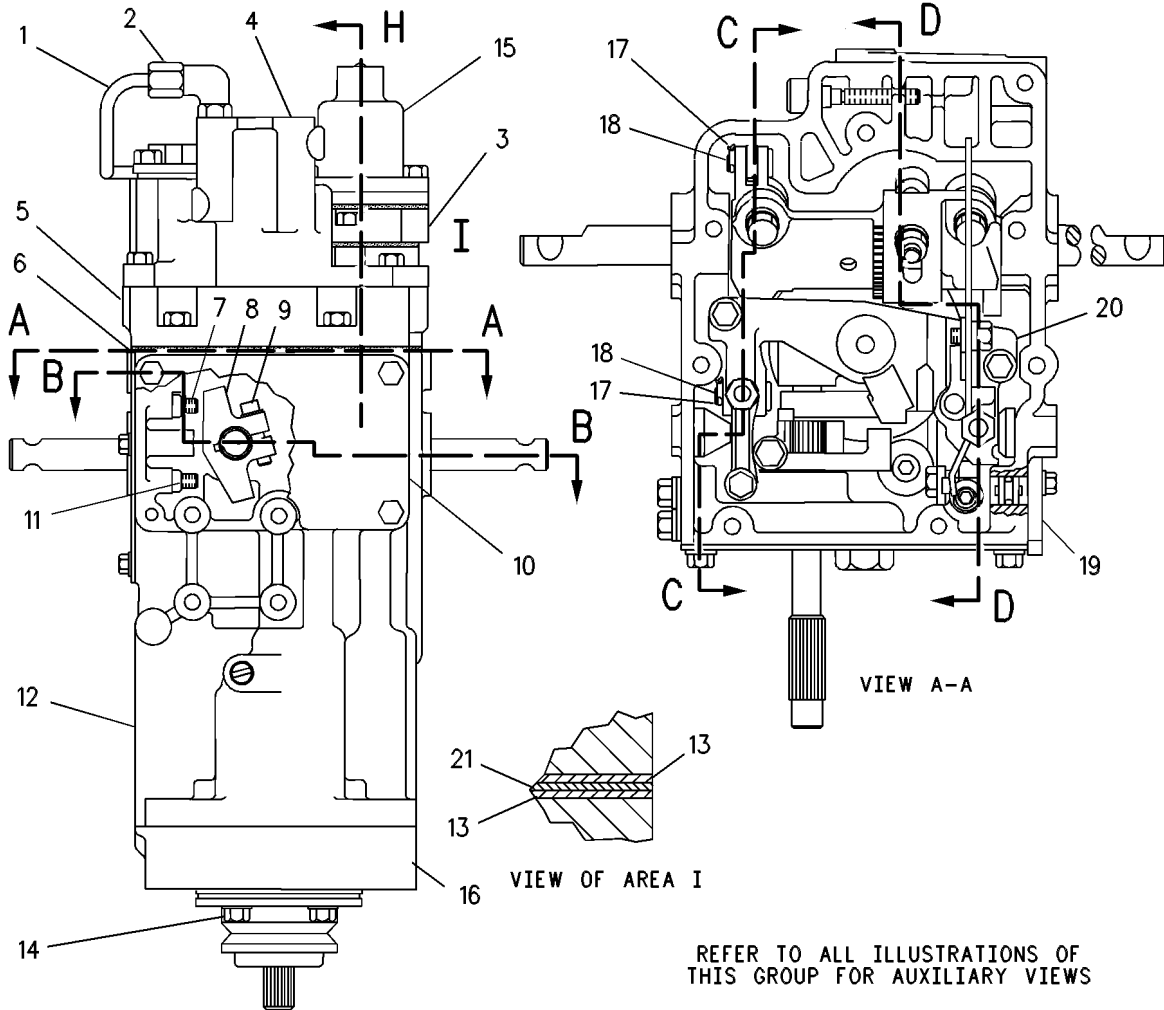
FUEL SYSTEM

7E-4537 GOVERNOR GP (contd.)

i02667622

NOTE	REF NO	GRAPHIC REF	PART NUMBER	QTY	PART NAME	SEE PAGE
			4W-7628	1	KIT-GOVERNOR REPAIR	
(INCLUDES PINS, BEARINGS, PACKINGS, RINGS, SEALS, GASKETS, & RACE)						

M - METRIC PART
Y - SEPARATE ILLUSTRATION



REFER TO ALL ILLUSTRATIONS OF THIS GROUP FOR AUXILIARY VIEWS

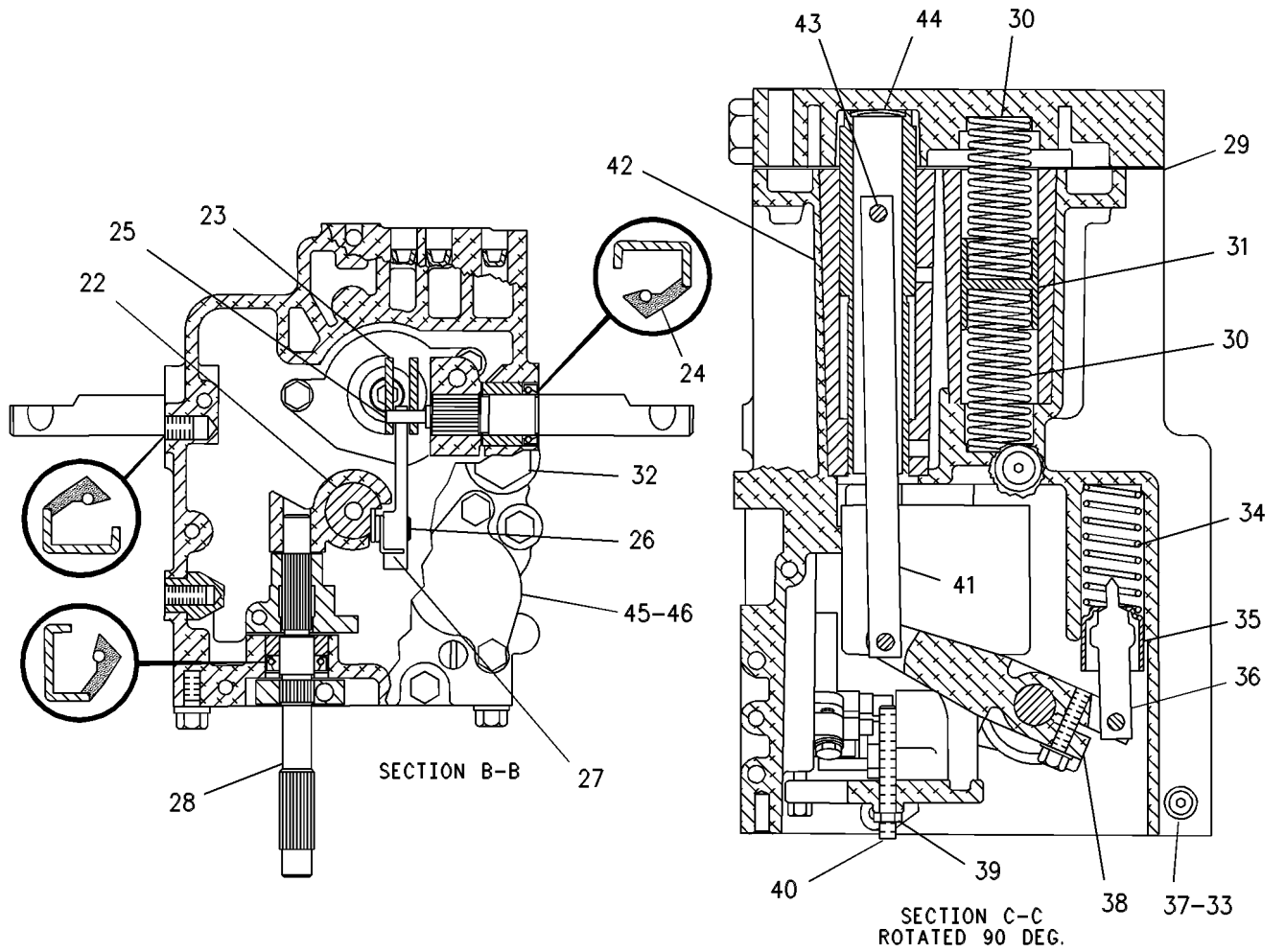
GRAPHIC #1

g00416150

FUEL SYSTEM

7E-4537 GOVERNOR GP (contd.)

102667622



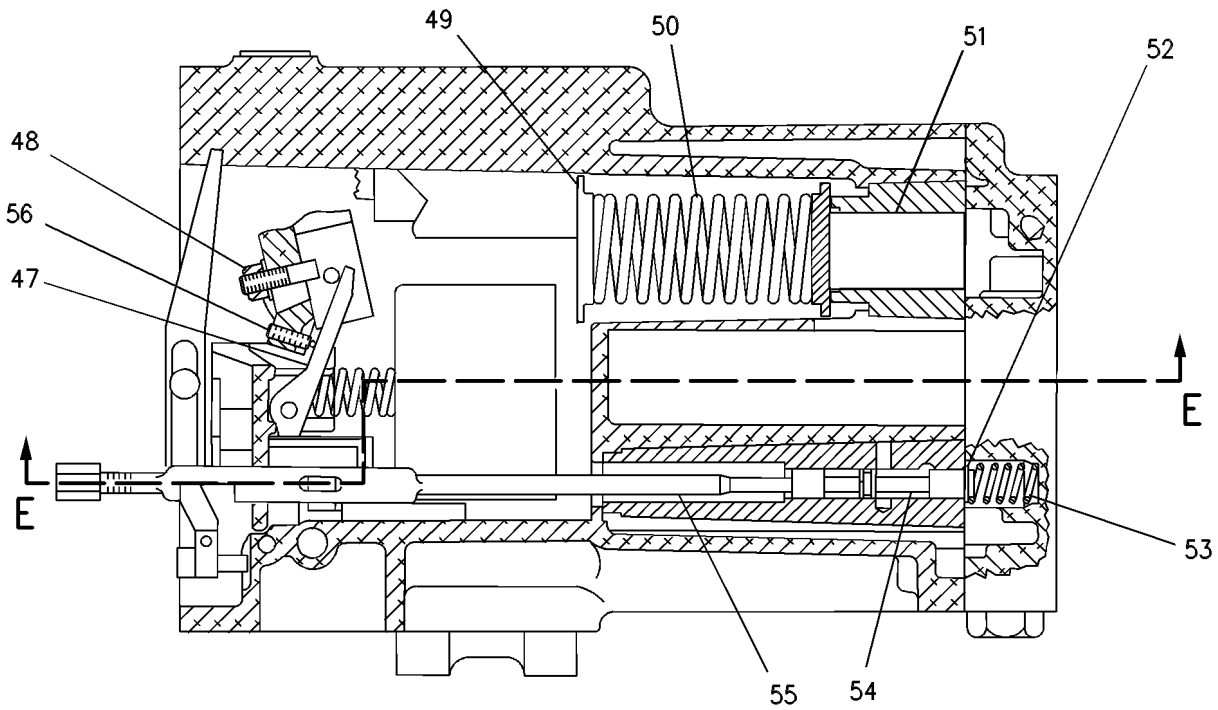
GRAPHIC #2

g00416151

FUEL SYSTEM

7E-4537 GOVERNOR GP (contd.)

102667622



SECTION D-D

REFER TO ALL ILLUSTRATIONS OF
THIS GROUP FOR AUXILIARY VIEWS

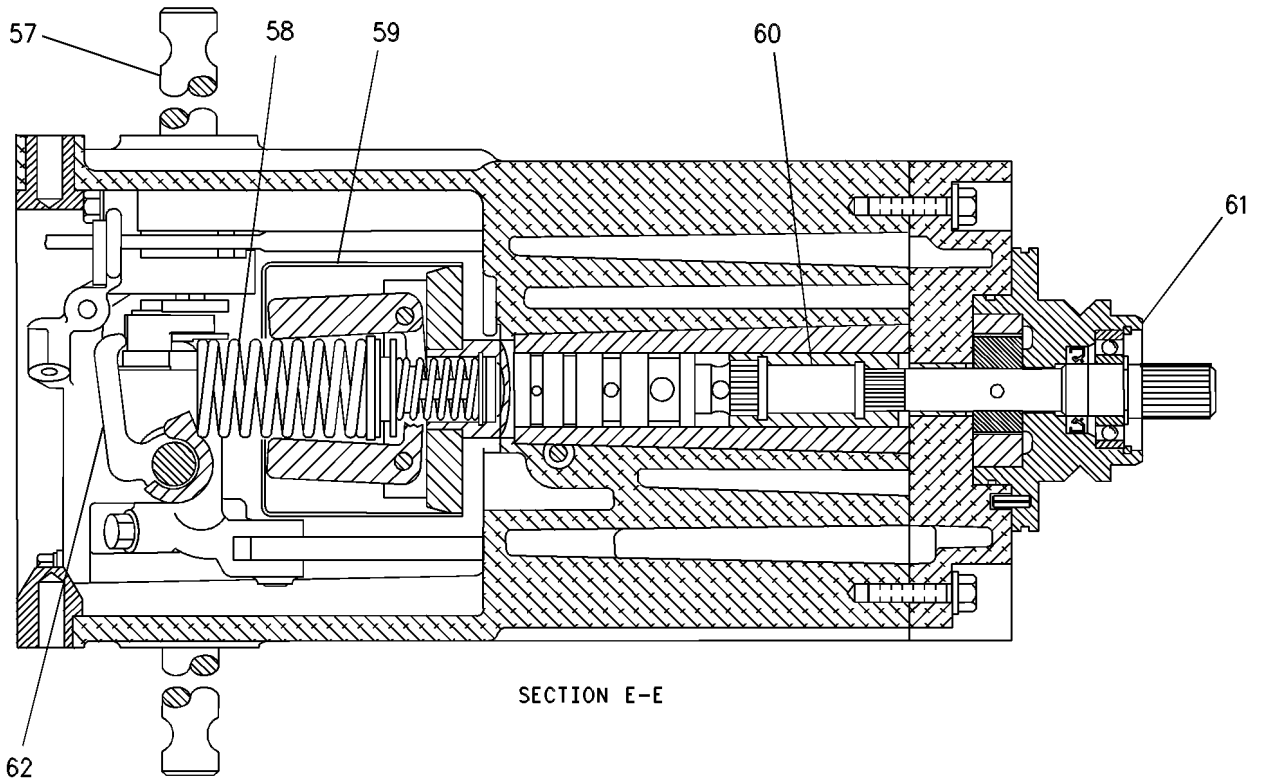
GRAPHIC #3

g00416152

FUEL SYSTEM

7E-4537 GOVERNOR GP (contd.)

102667622



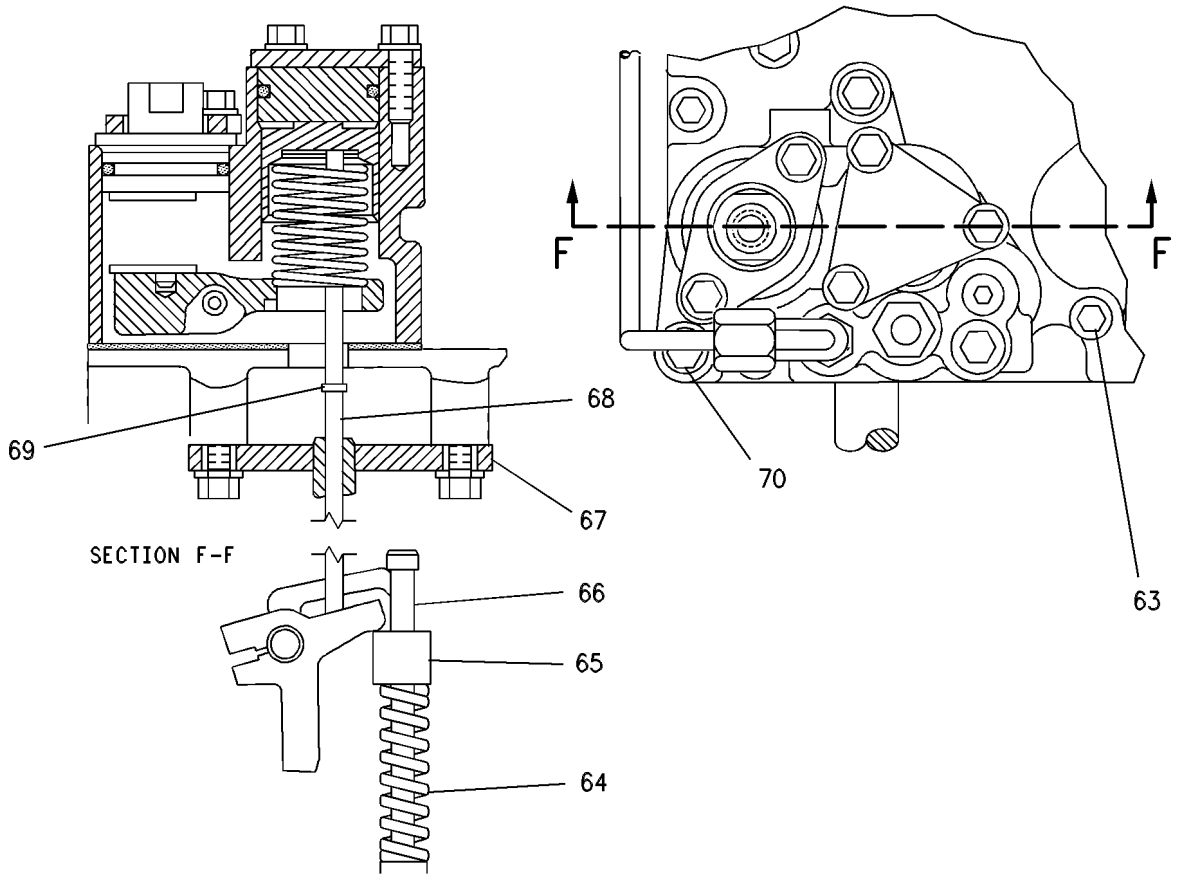
GRAPHIC #4

g00416153

FUEL SYSTEM

7E-4537 GOVERNOR GP (contd.)

i02667622



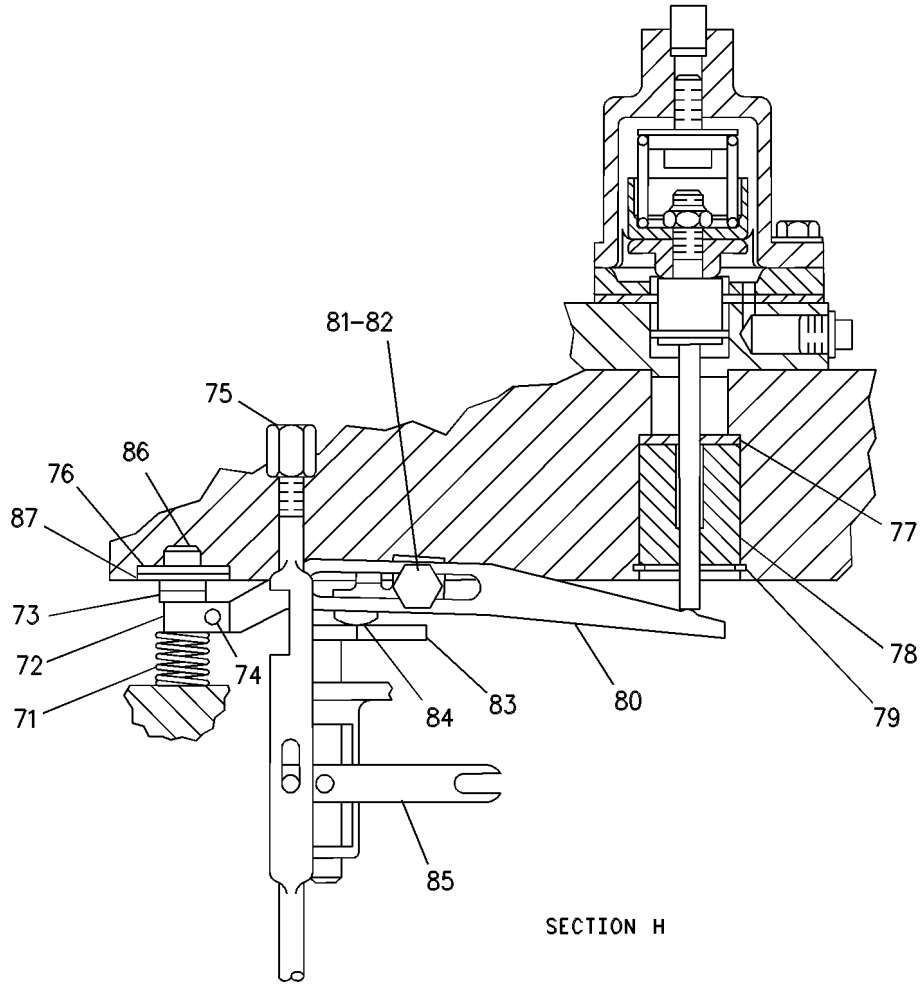
GRAPHIC #5

g00416154

FUEL SYSTEM

7E-4537 GOVERNOR GP (contd.)

102667622



GRAPHIC #6

<END>

g00416155

FUEL SYSTEM

7W-3285 GOVERNOR GP PART OF 7W-3331, 7W-3332, 7W-3333 GOVERNOR GP AN ATTACHMENT

SMCS-1264, 1908

i02667607

NOTE	REF NO	GRAPHIC REF	PART NUMBER	QTY	PART NAME						SEE PAGE
					1	2	3	4	5	6 (PRODUCT LEVEL)	
	1	1	2W-4633	1	TUBE						
	2	1	030-7946	2	ELBOW						
		1	6V-5048	2	SEAL-O-RING						
Y	3	1	2W-0782	1	COVER GP-GOVERNOR						984
	4	1	2W-6418	1	PLUG						
		1	2W-0221	1	SEAL-O-RING						
	5	1	2W-0779	1	COVER						
	6	1	1W-9780	1	GASKET						
	7	1	9L-9777	2	SETSCREW						
	8	1	2W-0446	1	STOP-LEVER						
	9	1	8H-0707	1	BOLT (1/4-20X1-IN)						
		1	3B-4504	1	LOCKWASHER						
	10	1	2W-0243	1	PLATE-IDENTIFICATION (LEVER & DROOP)						
	11	1	2W-4315	1	VALVE-NEEDLE						
		1	2W-0224	1	SEAL-O-RING						
Y	12	1	2W-1458	1	HOUSING GP-GOVERNOR						1162
	13	1	9S-4185	2	PLUG (3/4-16-THD)						
		1	8L-2786	2	SEAL-O-RING						
	14	1	2W-0138	50	SCREW-FORMING (1/4-20X1-IN)						
	15	1	2W-0145	1	SHAFT-DRIVE						
	16	1	2W-0784	1	BASE						
	17	1	3B-4605	2	PIN-COTTER						
	18	1	4W-3176	2	PIN						
Y	19	1	2W-2643	1	CONTROL GP-GOVERNOR						976
	20	1	2W-0245	1	BRACKET AS						
	21	1	1W-9781	1	GASKET-PLATE						
	22	1	2W-4606	1	PLATE-ORIFICE						
	23	1	2W-0123	1	GASKET-PLATE						
	24	2	2W-4317	1	PLUG-SPRING						
	25	2	4W-7369	1	SLIDER AS-DROOP (MID)						
	26	2	2W-0282	3	SEAL-OIL						
	27	2	2W-4310	1	PIN						
	28	2	2W-4311	1	PIN						
	29	2	2W-4306	1	SPRING-LEVER						
	30	2	2W-0445	1	SHAFT-SETTING (LEVER SPEED)						
	31	2	2W-0124	1	GASKET						
	32	2	7W-5314	2	SPRING-BUFFER						
	33	2	2W-4307	1	PISTON						
	34	2	2W-0774	1	PLUG AS						
	35	2	5P-7812	2	SEAL-O-RING						
	36	2	2W-0140	1	SPRING-RETURN						
	37	2	2W-4316	1	SEAT-LOADING						
	38	2	2W-4321	1	LINK-LOADING						
	39	2	2W-6891	1	PIN AS-ORIFICE						
	40	2	4W-3177	1	LEVER AS-TERMINAL						
	41	2	1B-4201	1	NUT-FULL (1/4-28-THD)						
	42	2	2W-4995	1	SETSCREW-SOCKET						

FUEL SYSTEM

7W-3285 GOVERNOR GP (contd.)

i02667607

NOTE	REF NO	GRAPHIC REF	PART NUMBER	QTY	PART NAME						SEE PAGE
					1	2	3	4	5	6 (PRODUCT LEVEL)	
	43	2	2W-4305	1	LINK-CONNECTING						
	44	2	2W-4318	1	PISTON-SERVO						
	45	2	2W-6417	1	PIN-PISTON LINK						
	46	2	4W-3178	1	WASHER-WAVE (SPRING)						
	47	2	2W-0776	1	COVER-SHUTDOWN						
		2	1W-9782	1	GASKET-SHUTOFF						
	48	3	2W-5874	1	LEVER-SETTING						
	49	3	2F-3219	1	NUT-ELASTIC STOP						
		3	5P-0537	1	WASHER-HARD (7.2X14.5X2-MM THK)						
	50	3	2W-4324	1	SEAT-ACCUMULATOR						
	51	3	2W-1645	1	SPRING						
	52	3	2W-4319	1	PISTON						
	53	3	2H-3429	1	RING-RETAINING						
	54	3	2W-0283	1	SPRING-PLUNGER						
	55	3	2W-4313	1	PLUNGER-VALVE						
	56	3	2W-1646	1	ROD-SHUTOFF						
	57	3	5S-2184	1	BOLT (3/8-16X0.5-IN)						
	58	4	2W-0144	2	SHAFT-TERMINAL						
	59	4	2W-0141	1	SPRING						
Y	60	4	2W-0233	1	FLYWEIGHT GP						1028
	61	4	1W-9783	1	COUPLING AS (SOLID DRIVE)						
	62	4	2W-0223	1	SEAL-O-RING						
	63	4	2W-0120	1	ELEMENT-GEROTOR MOTOR (GEROTOR)						
	64	4	2W-0127	1	PIN-PUMP DRIVE						
	65	4	2W-0282	1	SEAL-OIL						
	66	4	2W-0128	1	BALL BEARING						
	67	4	8F-4610	1	RING-RETAINING						
	68	4	6L-2113	1	RING-RETAINING						
	69	4	2W-0281	1	RING-RETAINING						
	70	4	2W-0126	1	HOUSING-PUMP						
	71	4	2W-3590	1	PIN-SPRING						
	72	4	2W-0447	1	LEVER-SETTING						
J	73	5	1W-9784	1	BELLOWS AS						
	74	5	6V-8139	1	SCREW-SOCKET HEAD (10-32-THD)						
	75	5	2W-4619	1	SEAT						
	76	5	2W-5916	1	SCREW (1/4-28X4.5-IN)						
	77	5	2W-5873	1	HOUSING AS						
	78	5	5P-5600	1	SEAL-O-RING						
	79	5	2W-0225	1	SEAL-O-RING						
	80	5	6V-5048	1	SEAL-O-RING						
	81	5	8F-6302	1	BOLT (1/4-20X3.75-IN)						
	82	5	2W-1475	1	SPRING						
	83	5	2W-1476	1	SPRING						
	84	5	2W-1477	2	SPRING						
	85	5	2W-0125	1	GASKET						
	86	5	2D-6642	1	BALL						
	87	5	2W-1480	1	PLUNGER						
	88	5	2W-1481	1	PISTON						
	89	5	2W-4615	1	SEAT-SPRING						
	90	5	2W-5010	1	LEVER AS						
	91	5	2W-5871	1	GUIDE AS						

FUEL SYSTEM

7W-3285 GOVERNOR GP (contd.)

i02667607

NOTE	REF	GRAPHIC	PART NUMBER	QTY	PART NAME	SEE
	NO	REF			1 2 3 4 5 6 (PRODUCT LEVEL)	
	92	5	2W-4625	1	NOZZLE	
	93	5	2W-4629	1	PLATE	
	94	5	2W-4623	1	PLUG	
	95	5	2W-5003	1	PLUG AS	
	96	5	5P-4672	1	RING-RETAINING	
	97	5	2W-4622	1	ROD	
	98	5	2W-4630	1	STRAP-HOLD-DOWN	
	99	5	2W-3591	1	WASHER	
	100	5	2W-4627	1	SEAT	
	101	5	9M-5590	1	BALL	
	102	5	2W-5913	1	SCREW	
	103	5	2W-6418	1	PLUG	
		5	2W-0221	1	SEAL-O-RING	
J	104	5	4W-6627	1	SPRING-ADJUSTMENT	
	105	5	2W-0119	2	BEARING	
		5	2W-1479	1	PIN-SHAFT	
	106	5	2W-6890	1	PLUG-HEX SOCKET	
		5	5P-7812	1	SEAL-O-RING	
NFA		5	7W-1503	1	SPRING-PNEUMATIC FEEDBACK	
NFA		5	7W-0948	1	BELLOWS AS	
	107	6	2W-4994	1	SPRING	
	108	6	2W-5005	1	BLOCK-PIVOT	
	109	6	2W-5869	1	BOLT-SOCKET HEAD	
	110	6	2F-6721	1	PIN-RACK	
	111	6	2W-1228	1	NUT-SHUTDOWN ADJUSTMENT (1/4-28-THD)	
	112	6	2W-5012	1	GUIDE-DIAPHRAGM	
	113	6	2W-0122	1	DIAPHRAGM	
	114	6	2W-0121	1	DIAPHRAGM	
	115	6	2F-3219	1	NUT-ELASTIC STOP	
	116	6	2W-0143	1	SCREW AS-CLAMP	
	117	6	9L-9777	1	SETSCREW	
	118	6	2W-4616	1	SEAT-SPRING	
	119	6	4W-7652	1	SPRING-LIMITER (FUEL)	
	120	6	2W-4610	1	PISTON-LIMITER	
	121	6	4W-7367	1	COVER AS-LIMITER	
	122	6	2W-5001	1	SPACER	
	123	6	2W-5008	1	SPACER	
	124	6	2W-0142	1	GASKET-GUIDE	
	125	6	2W-4617	1	PLUNGER	
	126	6	2W-4997	1	SPRING-RETURN	
	127	6	2W-4626	1	PISTON-LIMITER	
	128	6	2W-4999	1	SPRING-RETURN	
	129	6	4D-1322	1	RING-RETAINING	
	130	6	2W-4613	1	ROD-OUTPUT	
	131	6	2W-4635	1	LEVER-LIMITER	
	132	6	2W-4620	1	SEAT-SPRING	
	133	6	2W-5975	1	SCREW-BOLT (1/4-28X0.5-IN)	
	134	6	3L-6759	1	WASHER	
	135	6	2W-5014	1	ROD AS (LIMIT LINKAGE)	
	136	6	2W-4608	1	CAMSHAFT-LINK	
	137	6	2W-5011	1	LEVER AS (LIMIT FLOATING)	

FUEL SYSTEM

7W-3285 GOVERNOR GP (contd.)

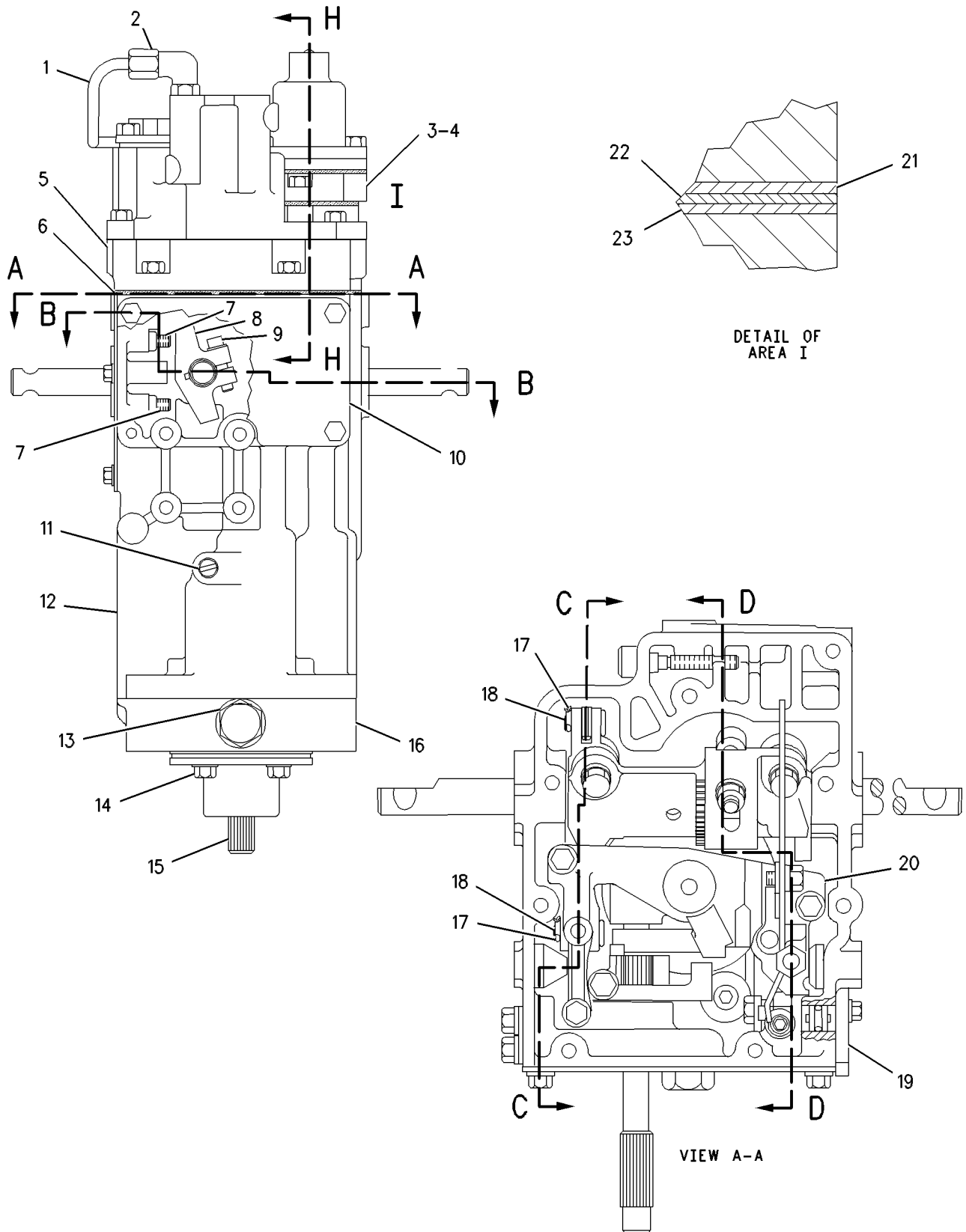
102667607

NOTE	REF NO	GRAPHIC REF	PART NUMBER	QTY	PART NAME						SEE PAGE
					1	2	3	4	5	6 (PRODUCT LEVEL)	
					AVAILABLE REPAIR KIT(S):						
			4W-8207	1	KIT-FUEL RATIO CONTROL (FUEL RATIO)						
					(INCLUDES RINGS, SEALS, DIAPHRAGMS, PLATES, GASKETS, & PINS)						
			4W-8206	1	KIT-GOVERNOR REPAIR						
					(INCLUDES BEARINGS, RINGS, SEALS, & GASKETS)						
			4W-7628	1	KIT-GOVERNOR REPAIR						
					(INCLUDES PINS, BEARINGS, PACKINGS, RINGS, SEALS, GASKETS, & RACE)						
A - NOT PART OF THIS GROUP F - NOT SHOWN J - FOR HIGHER OPERATING PRESSURE USE PARTS MARKED N N Y - SEPARATE ILLUSTRATION											

FUEL SYSTEM

7W-3285 GOVERNOR GP (contd.)

i02667607



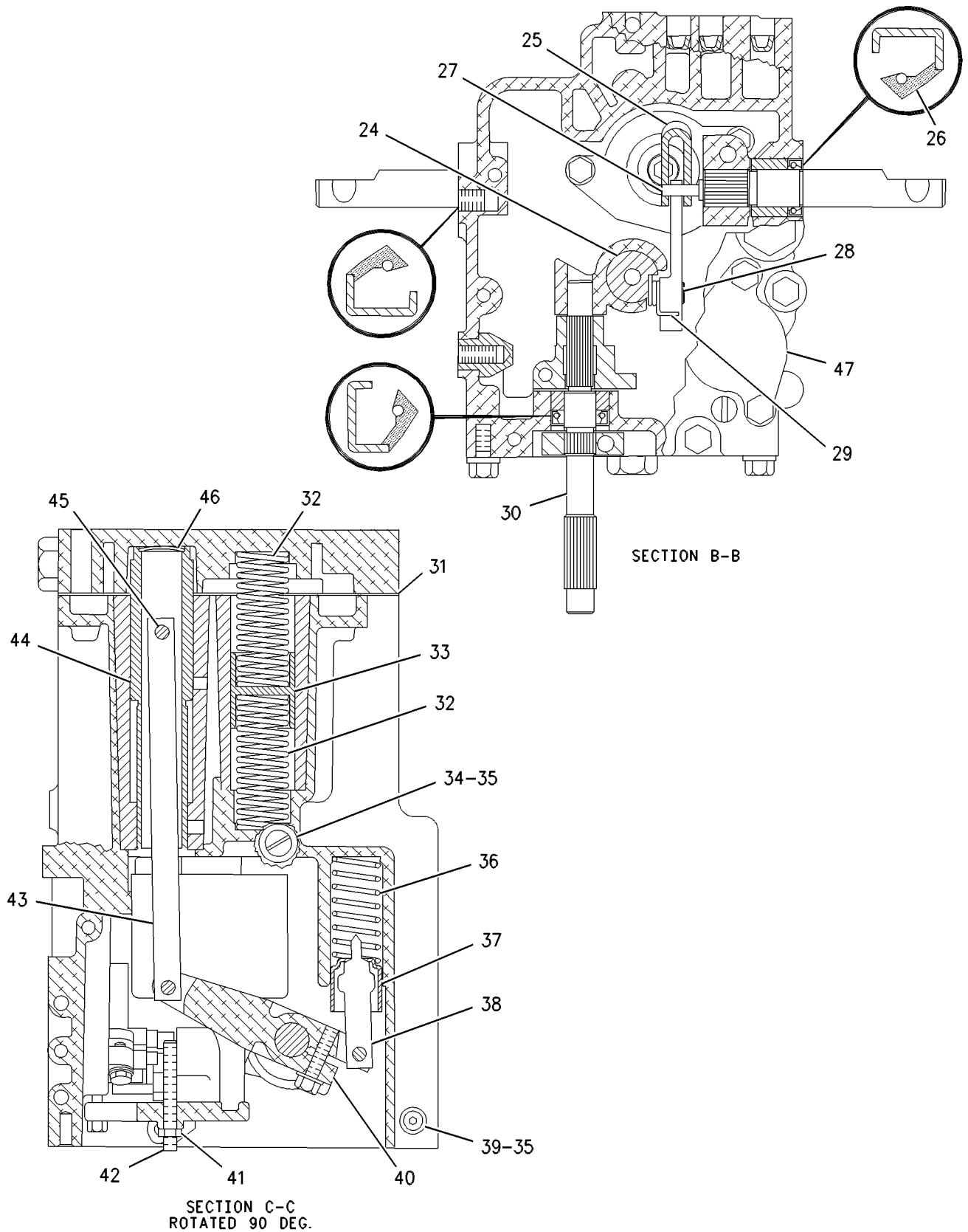
GRAPHIC #1

g00461390

FUEL SYSTEM

7W-3285 GOVERNOR GP (contd.)

102667607



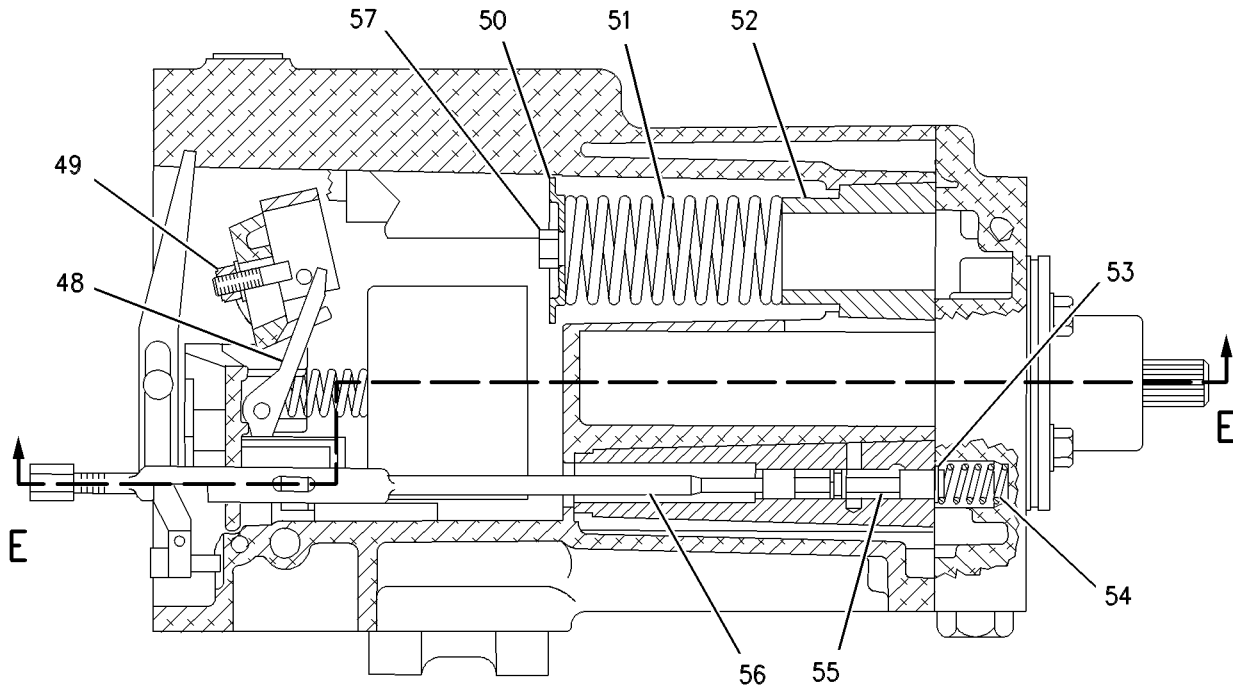
GRAPHIC #2

g00461392

FUEL SYSTEM

7W-3285 GOVERNOR GP (contd.)

102667607



SECTION D-D

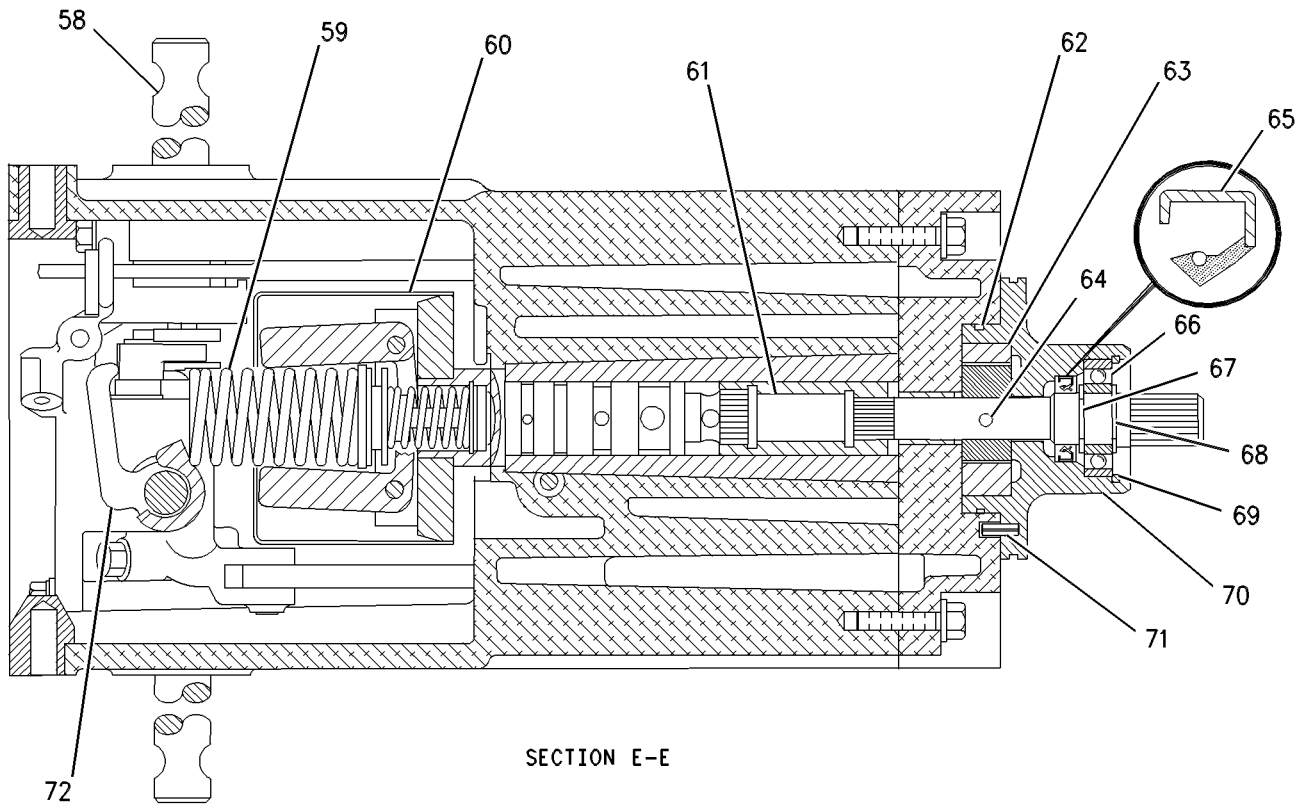
GRAPHIC #3

g00461395

FUEL SYSTEM

7W-3285 GOVERNOR GP (contd.)

102667607



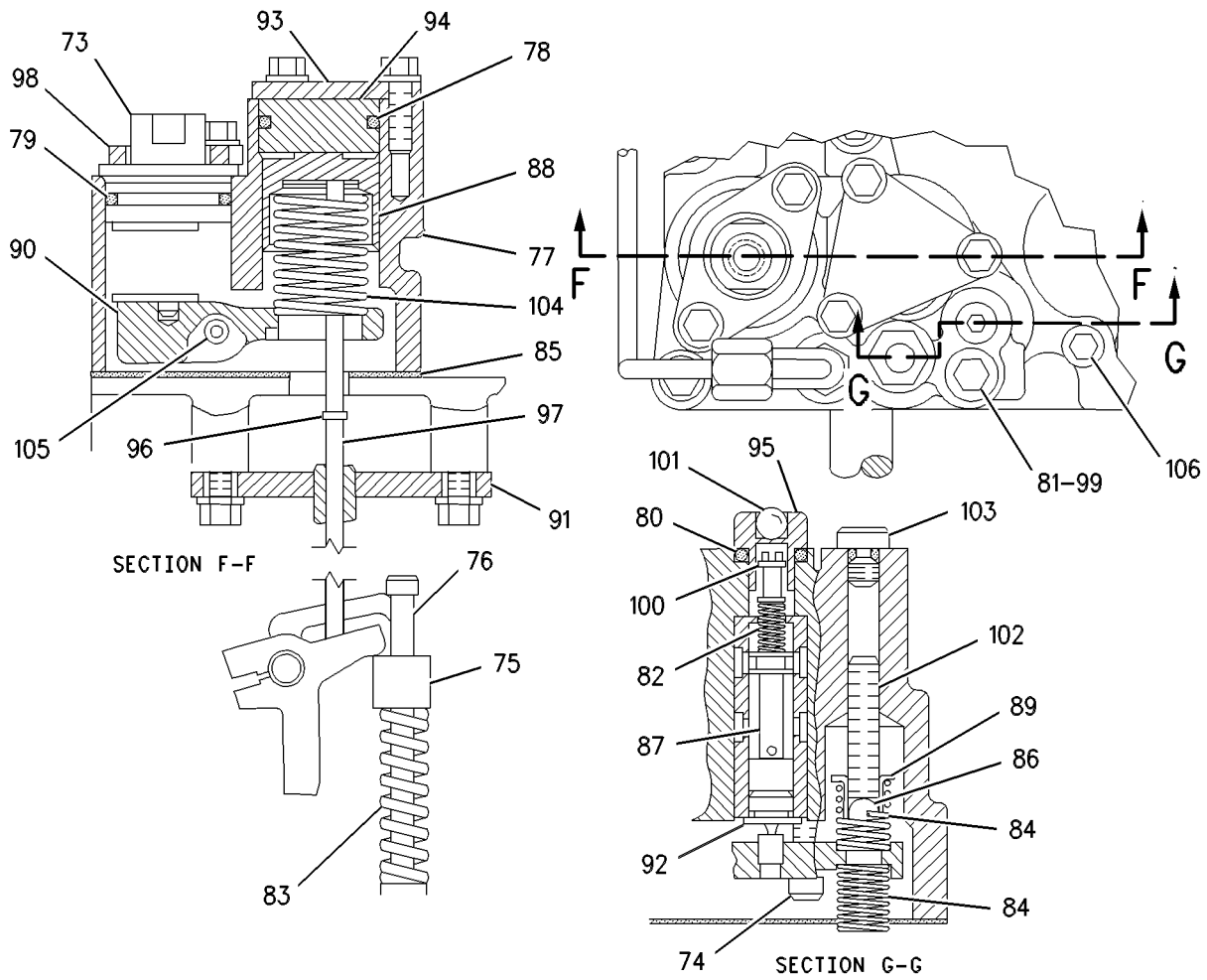
GRAPHIC #4

g00463570

FUEL SYSTEM

7W-3285 GOVERNOR GP (contd.)

i02667607



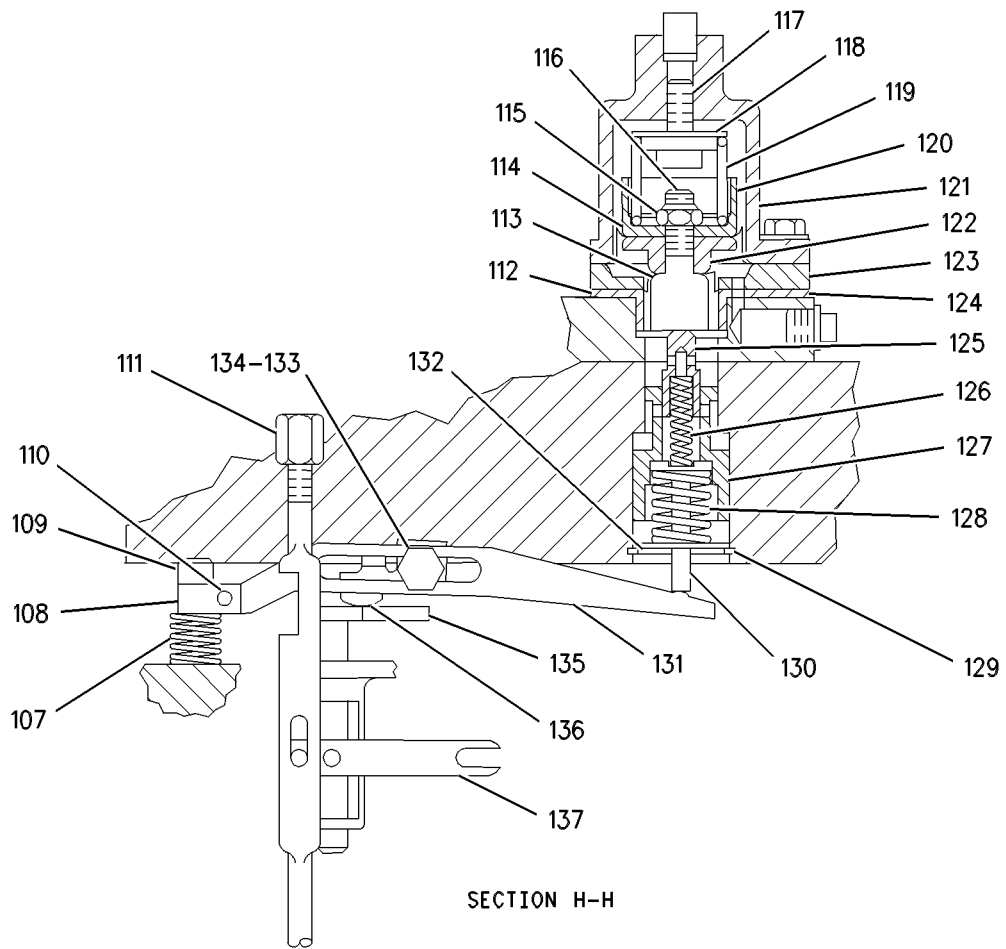
GRAPHIC #5

g00461398

FUEL SYSTEM

7W-3285 GOVERNOR GP (contd.)

102667607



GRAPHIC #6

<END>

g00461399

FUEL SYSTEM

7W-3331 GOVERNOR GP-RH PNEUMATIC-EXTERNAL DROOP ADJUSTMENT AN ATTACHMENT

SMCS-1264, 1908

i01327565

NOTE	PART NUMBER	QTY	PART NAME	SEE PAGE
			1 2 3 4 5 6 (PRODUCT LEVEL)	
Y	1W-2135	1	DRIVE GP-GOVERNOR	986
Y	7N-4867	1	FASTENER GP-FUEL INJ PUMP	998
Y	7W-3285	1	GOVERNOR GP	1130
			-OR-	
Y	7C-0084	1	GOVERNOR GP	1087
			-OR-	
Y	7C-2850	1	GOVERNOR GP	1097
Y	1W-2136	1	LINES GP-FUEL RATIO CONTROL	1200
Y - SEPARATE ILLUSTRATION				
<END>				

7W-3332 GOVERNOR GP-LH 3161-PNEUMATIC-EXTERNAL DROOP ADJUSTMENT FOR USE WITH STANDARD ENGINE ROTATION AN ATTACHMENT

SMCS-1264, 1908

i00890633

NOTE	PART NUMBER	QTY	PART NAME	SEE PAGE
			1 2 3 4 5 6 (PRODUCT LEVEL)	
Y	8N-4263	1	COVER GP-ACCESSORY DRIVE	82
Y	1W-2135	1	DRIVE GP-GOVERNOR	986
Y	8N-4262	1	FASTENER GP-FUEL INJ PUMP	1000
Y	7W-3285	1	GOVERNOR GP	1130
			-OR-	
Y	7C-0084	1	GOVERNOR GP	1087
			-OR-	
Y	7C-2850	1	GOVERNOR GP	1097
			-OR-	
Y	9Y-2652	1	GOVERNOR GP	1152
			-OR-	
Y	7E-4537	1	GOVERNOR GP	1122
			-OR-	
R	7E-8948	1	GOVERNOR GP	
Y	1W-5171	1	LINES GP-FUEL RATIO CONTROL	1203
R - REMANUFACTURED PART MAY BE AVAILABLE				
Y - SEPARATE ILLUSTRATION				
<END>				

FUEL SYSTEM

7W-3333 GOVERNOR GP-LH 3161-PNEUMATIC-EXTERNAL DROOP ADJUSTMENT FOR USE WITH OPPOSITE ENGINE ROTATION AN ATTACHMENT

SMCS-1264, 1908

i00890641

NOTE	PART NUMBER	QTY	PART NAME						SEE PAGE
			1	2	3	4	5	6 (PRODUCT LEVEL)	
Y	8N-4266	1	COVER GP-ACCESSORY DRIVE						83
Y	1W-2135	1	DRIVE GP-GOVERNOR						986
Y	8N-4262	1	FASTENER GP-FUEL INJ PUMP						1000
			-OR-						
Y	1W-6036	1	FASTENER GP-FUEL INJ PUMP						996
Y	7W-3285	1	GOVERNOR GP						1130
			-OR-						
Y	7C-0084	1	GOVERNOR GP						1087
			-OR-						
Y	7C-2850	1	GOVERNOR GP						1097
			-OR-						
Y	9Y-2652	1	GOVERNOR GP						1152
			-OR-						
Y	7E-4537	1	GOVERNOR GP						1122
			-OR-						
R	7E-8948	1	GOVERNOR GP						
			-OR-						
YR	6I-0665	1	GOVERNOR GP						1071
			-OR-						
YR	124-3174	1	GOVERNOR GP						1033
Y	1W-5171	1	LINES GP-FUEL RATIO CONTROL						1203

R - REMANUFACTURED PART MAY BE AVAILABLE
Y - SEPARATE ILLUSTRATION

<END>

8N-6477 GOVERNOR GP

S/N: 66Z190-578

LH-UG8L WITH SMOKE LMITER-DC SOLENOID SHUT DOWN
FOR USE WITH STANDARD ENGINE ROTATION & 24 VOLT ELECTRICAL SHUT-OFF
AN ATTACHMENT

SMCS-1264, 1908

i00937692

NOTE	PART NUMBER	QTY	PART NAME						SEE PAGE
			1	2	3	4	5	6 (PRODUCT LEVEL)	
Y	8N-4263	1	COVER GP-ACCESSORY DRIVE						82
Y	8N-9662	1	DRIVE GP-GOVERNOR						988
Y	8N-4262	1	FASTENER GP-FUEL INJ PUMP						1000
Y	1W-0516	1	GOVERNOR GP						1035
Y	1N-4348	1	LINES GP-FUEL RATIO CONTROL						1199
Y	5N-8572	1	WIRING GP-GOVERNOR SOLENOID						1846

Y - SEPARATE ILLUSTRATION

<END>

FUEL SYSTEM

8N-6481 GOVERNOR GP

**RH-UG8L WITH SMOKE LIMITER-DC SOLENOID SHUT DOWN
FOR USE WITH 24 VOLT ELECTRICAL SHUT-OFF
AN ATTACHMENT**

SMCS-1264, 1908

i00651412

NOTE	PART NUMBER	QTY	PART NAME						SEE PAGE
			1	2	3	4	5	6 (PRODUCT LEVEL)	
Y	1N-3247	1	LINES GP-FUEL RATIO CONTROL						1198
Y	7N-4867	1	FASTENER GP-FUEL INJ PUMP						998
Y	8N-9662	1	DRIVE GP-GOVERNOR						988
Y	1W-0516	1	GOVERNOR GP						1035
Y	5N-8572	1	WIRING GP-GOVERNOR SOLENOID						1846

Y - SEPARATE ILLUSTRATION

<END>

8N-6712 GOVERNOR GP

SMCS-1264, 1908

i01433710

NOTE	PART NUMBER	QTY	PART NAME						SEE PAGE
			1	2	3	4	5	6 (PRODUCT LEVEL)	
Y	1W-2135	1	DRIVE GP-GOVERNOR						986
Y	7N-4867	1	FASTENER GP-FUEL INJ PUMP						998
			-OR-						
Y	1W-6034	1	FASTENER GP-FUEL INJ PUMP						994
Y	1W-4859	1	GOVERNOR GP						1037
			-OR-						
Y	4W-7241	1	GOVERNOR GP						1047
			-OR-						
Y	7C-0083	1	GOVERNOR GP						1079
			-OR-						
Y	7C-2850	1	GOVERNOR GP						1097
			-OR-						
Y	9Y-2652	1	GOVERNOR GP						1152
			-OR-						
Y	7E-4537	1	GOVERNOR GP						1122
			-OR-						
R	7E-8948	1	GOVERNOR GP						
			-OR-						
YR	6I-0665	1	GOVERNOR GP						1071
Y	1W-2136	1	LINES GP-FUEL RATIO CONTROL						1200
Y	1W-4863	1	SHUTOFF GP-ELECTRICAL						1600

R - REMANUFACTURED PART MAY BE AVAILABLE

Y - SEPARATE ILLUSTRATION

<END>

FUEL SYSTEM

8N-6714 GOVERNOR GP-RH

**3161 WITH SMOKE LIMITER & HYDRAULIC/PNEUMATIC SHUT-OFF -HYDRAULIC CYLINDER
FOR USE WITH STANDARD & OPPOSITE ENGINE ROTATION
AN ATTACHMENT**

SMCS-1264, 1908

i01433908

NOTE	PART NUMBER	QTY	PART NAME						SEE PAGE
			1	2	3	4	5	6 (PRODUCT LEVEL)	
Y	1W-2135	1	DRIVE GP-GOVERNOR						986
Y	7N-4867	1	FASTENER GP-FUEL INJ PUMP						998
			-OR-						
Y	1W-6034	1	FASTENER GP-FUEL INJ PUMP						994
	2W-8580	1	GOVERNOR GP						
			-OR-						
Y	4W-7269	1	GOVERNOR GP						1057
			-OR-						
Y	7C-3023	1	GOVERNOR GP						1105
			-OR-						
Y	7C-5681	1	GOVERNOR GP						1113
			-OR-						
Y	9Y-2651	1	GOVERNOR GP						1144
			-OR-						
R	7E-8949	1	GOVERNOR GP						
			-OR-						
YR	6I-0664	1	GOVERNOR GP						1064
			-OR-						
YR	124-3173	1	GOVERNOR GP						1031
Y	1W-2136	1	LINES GP-FUEL RATIO CONTROL						1200
Y	1W-4862	1	SHUTOFF GP-REMOTE						1299

R - REMANUFACTURED PART MAY BE AVAILABLE
Y - SEPARATE ILLUSTRATION

<END>

8N-6722 GOVERNOR GP

S/N: 66Z190-578

**WOODWARD.UG8L-LH-WITH SMOKE LIMITER-DC SOLENOID
FOR USE WITH SAE OPPOSITE STANDARD ENGINE ROTATION
CANNOT BE USED WITH 7W-1530 HOUSING GP-FRONT
AN ATTACHMENT**

SMCS-1264, 1908

i00956913

NOTE	PART NUMBER	QTY	PART NAME						SEE PAGE
			1	2	3	4	5	6 (PRODUCT LEVEL)	
Y	8N-4266	1	COVER GP-ACCESSORY DRIVE						83
Y	8N-9662	1	DRIVE GP-GOVERNOR						988
Y	8N-4262	1	FASTENER GP-FUEL INJ PUMP						1000
Y	1W-0516	1	GOVERNOR GP						1035
Y	1N-4348	1	LINES GP-FUEL RATIO CONTROL						1199
Y	5N-8572	1	WIRING GP-GOVERNOR SOLENOID						1846

Y - SEPARATE ILLUSTRATION

<END>

FUEL SYSTEM

9Y-2651 GOVERNOR GP

S/N: 50Y815-1304; 66Z344-578
PART OF 2W-8583, 8N-6714 GOVERNOR GP
AN ATTACHMENT

SMCS-1264, 1908

i00884456

NOTE	REF NO	GRAPHIC REF	PART NUMBER	QTY	PART NAME						SEE PAGE
					1	2	3	4	5	6 (PRODUCT LEVEL)	
	1	1	2W-4606	1	PLATE-ORIFICE						
	2	1	2W-0245	1	BRACKET AS						
	3	1	4W-3176	2	PIN						
	4	1	1W-9781	1	GASKET-PLATE						
	5	1	2W-0778	1	COVER						
	6	1	1W-9780	1	GASKET						
	7	1	9L-9777	2	SETSCREW						
	8	1	2W-0446	1	STOP-LEVER						
	9	1	8H-0707	1	BOLT (1/4-20X1-IN)						
		1	3B-4504	1	LOCKWASHER						
	10	1	2W-0243	1	PLATE-IDENTIFICATION						
	11	1	2W-4315	1	VALVE-NEEDLE						
		1	2W-0224	1	SEAL-O-RING						
Y	12	1	2W-1458	1	HOUSING GP-GOVERNOR						1162
Y	13	1	2W-2643	1	CONTROL GP-GOVERNOR						976
	14	1	2W-0138	47	SCREW-FORMING (1/4-20X1-IN)						
	15	1	9Y-2715	1	CONTROL GP-FUEL RATIO						
		1	9Y-2716	1	KIT-FUEL RATIO CONTROL						
	16	1	7C-3985	1	BASE						
	17	1	7C-9642	1	PIN-COTTER						
	18	2	2W-4317	1	PLUG-SPRING						
	19	2	2W-0148	1	SLIDER AS						
	20	2	2W-0282	3	SEAL-OIL						
	21	2	2W-4310	1	PIN						
	22	2	2W-4311	1	PIN						
	23	2	2W-4306	1	SPRING-LEVER						
	24	2	7C-0081	1	SHAFT						
	25	2	2W-0776	1	COVER-SHUTDOWN						
		2	1W-9782	1	GASKET-SHUTOFF						
	26	2	7C-3900	1	PLUG						
		2	5P-7812	1	SEAL-O-RING						
	27	3	2W-0124	1	GASKET						
	28	3	7C-4262	2	SPRING-BUFFER						
	29	3	2W-4307	1	PISTON						
	30	3	2W-0774	1	PLUG AS						
	31	3	5P-7812	2	SEAL-O-RING						
	32	3	2W-0140	1	SPRING-RETURN						
	33	3	2W-4316	1	SEAT-LOADING						
	34	3	2W-4321	1	LINK-LOADING						
	35	3	7C-3018	1	ORIFICE-GOVERNOR						
	36	3	4W-3177	1	LEVER AS-TERMINAL						
	37	3	1B-4201	1	NUT-FULL (1/4-28-THD)						
	38	3	2W-4995	1	SETSCREW-SOCKET						
	39	3	2W-4305	1	LINK-CONNECTING						
	40	3	2W-4318	1	PISTON-SERVO						
	41	3	2W-6417	1	PIN-PISTON LINK						

FUEL SYSTEM

9Y-2651 GOVERNOR GP (contd.)

i00884456

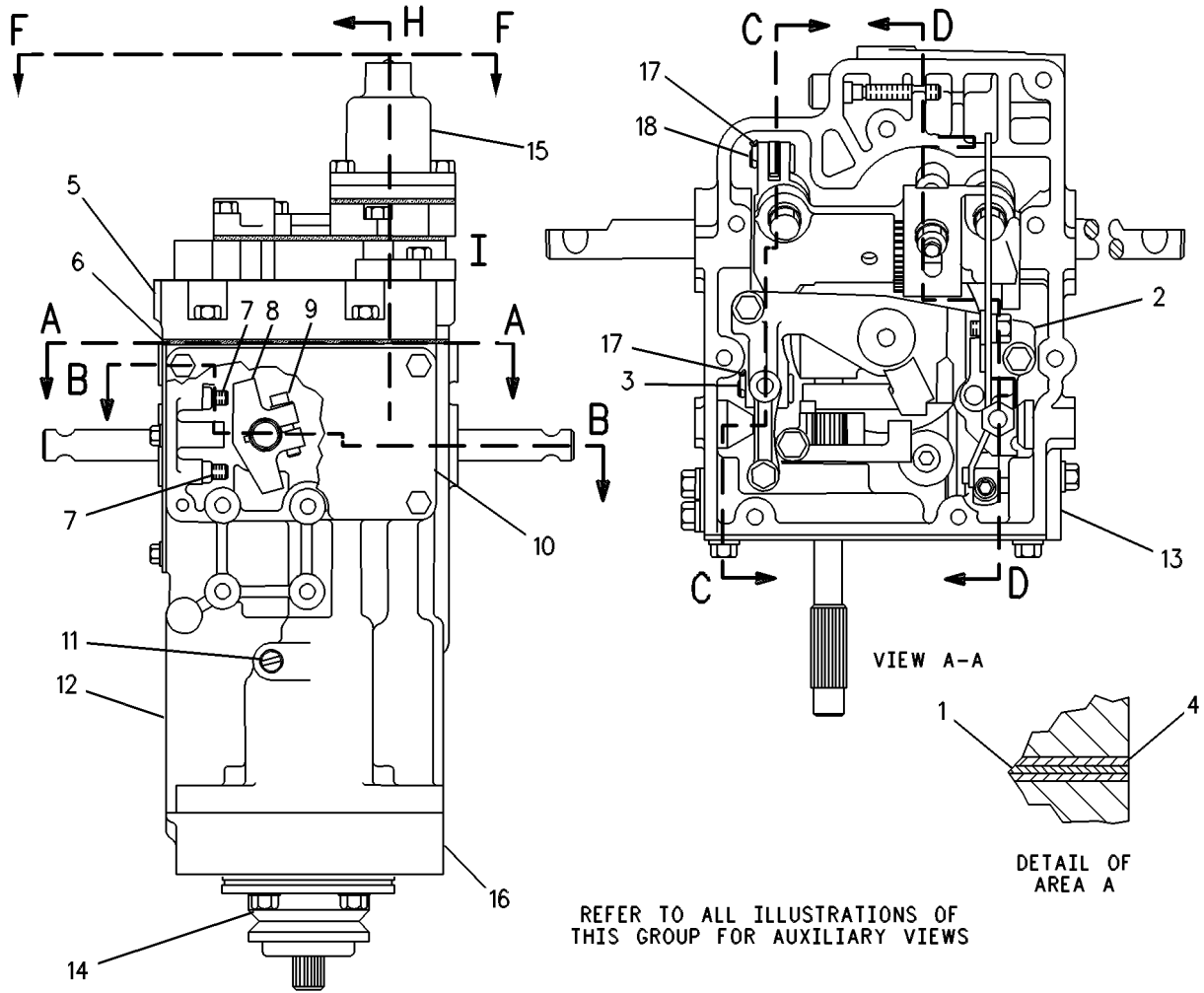
NOTE	REF NO	GRAPHIC REF	PART NUMBER	QTY	PART NAME						SEE PAGE	
					1	2	3	4	5	6 (PRODUCT LEVEL)		
	42	3	4W-3178	1	WASHER-WAVE							
	43	4	2W-4323	1	LEVER-FLOATING							
	44	4	2F-3219	1	NUT-ELASTIC STOP							
		4	5P-0537	1	WASHER-HARD (7.2X14.5X2-MM THK)							
	45	4	2W-4324	1	SEAT-ACCUMULATOR							
	46	4	2W-1645	1	SPRING							
	47	4	2W-4319	1	PISTON							
	48	4	2H-3429	1	RING-RETAINING							
	49	4	2W-0283	1	SPRING-PLUNGER							
	50	4	2W-4313	1	PLUNGER-VALVE							
	51	4	2W-1646	1	ROD-SHUTOFF							
	52	5	2W-0144	2	SHAFT-TERMINAL							
	53	5	7C-0078	1	SPRING							
Y	54	5	2W-0233	1	FLYWEIGHT GP						1028	
	55	5	7C-3988	1	COUPLING AS-DRIVE							
	56	5	2W-0447	1	LEVER-SETTING							
Y	57	5	9Y-1588	1	PUMP GP-GEAR (GOVERNOR)						1251	
	58	6	2W-4994	1	SPRING							
	59	6	2W-5005	1	BLOCK-PIVOT							
M	60	6	7C-8919	1	BOLT (1/4-28X1.75-IN)							
	61	6	2F-6721	1	PIN-RACK							
	62	6	2W-1228	1	NUT-SHUTDOWN ADJUSTMENT (1/4-28-THD)							
	63	6	9Y-2763	1	WASHER-SPRING							
	64	6	9Y-2762	1	SPACER							
	65	6	1A-8912	2	WASHER (6.7X12.7X1.6-MM THK)							
	66	6	7C-8917	1	WASHER-BIMETAL							
	67	6	4D-1322	1	RING-RETAINING							
	68	6	7C-8918	1	WASHER-BIMETAL							
	69	6	2W-4635	1	LEVER-LIMITER							
	70	6	9S-4185	1	PLUG (3/4-16-THD)							
		6	8L-2786	1	SEAL-O-RING							
	71	6	2W-5975	1	SCREW-BOLT (1/4-28X0.5-IN)							
	72	6	3L-6759	1	WASHER							
	73	6	2W-5014	1	ROD AS							
	74	6	2W-4608	1	CAMSHAFT-LINK							
	75	6	2W-5011	1	LEVER AS							
	76	6	8H-0707	1	BOLT (1/4-20X1-IN)							
	77	6	9Y-2765	1	COVER-SETTING							
	78	6	9S-4182	1	PLUG (7/16-20-THD)							
		6	6V-5048	1	SEAL-O-RING							
					AVAILABLE REPAIR KIT(S):							
				4W-7628	1	KIT-GOVERNOR REPAIR						
					(INCLUDES BEARINGS, PINS, RINGS, SEALS, GASKETS, & RACE)							

M - METRIC PART
Y - SEPARATE ILLUSTRATION

FUEL SYSTEM

9Y-2651 GOVERNOR GP (contd.)

i00884456



REFER TO ALL ILLUSTRATIONS OF THIS GROUP FOR AUXILIARY VIEWS

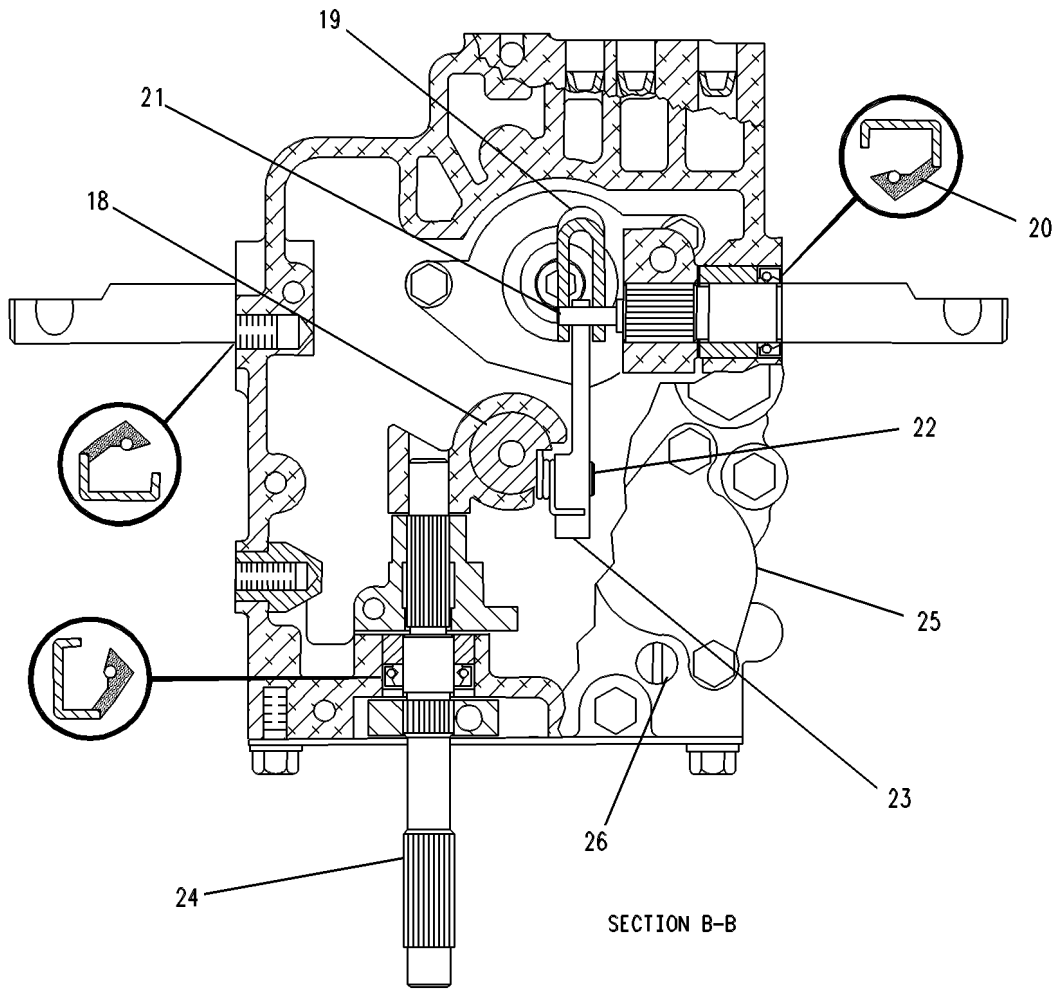
GRAPHIC #1

g00402840

FUEL SYSTEM

9Y-2651 GOVERNOR GP (contd.)

i00884456



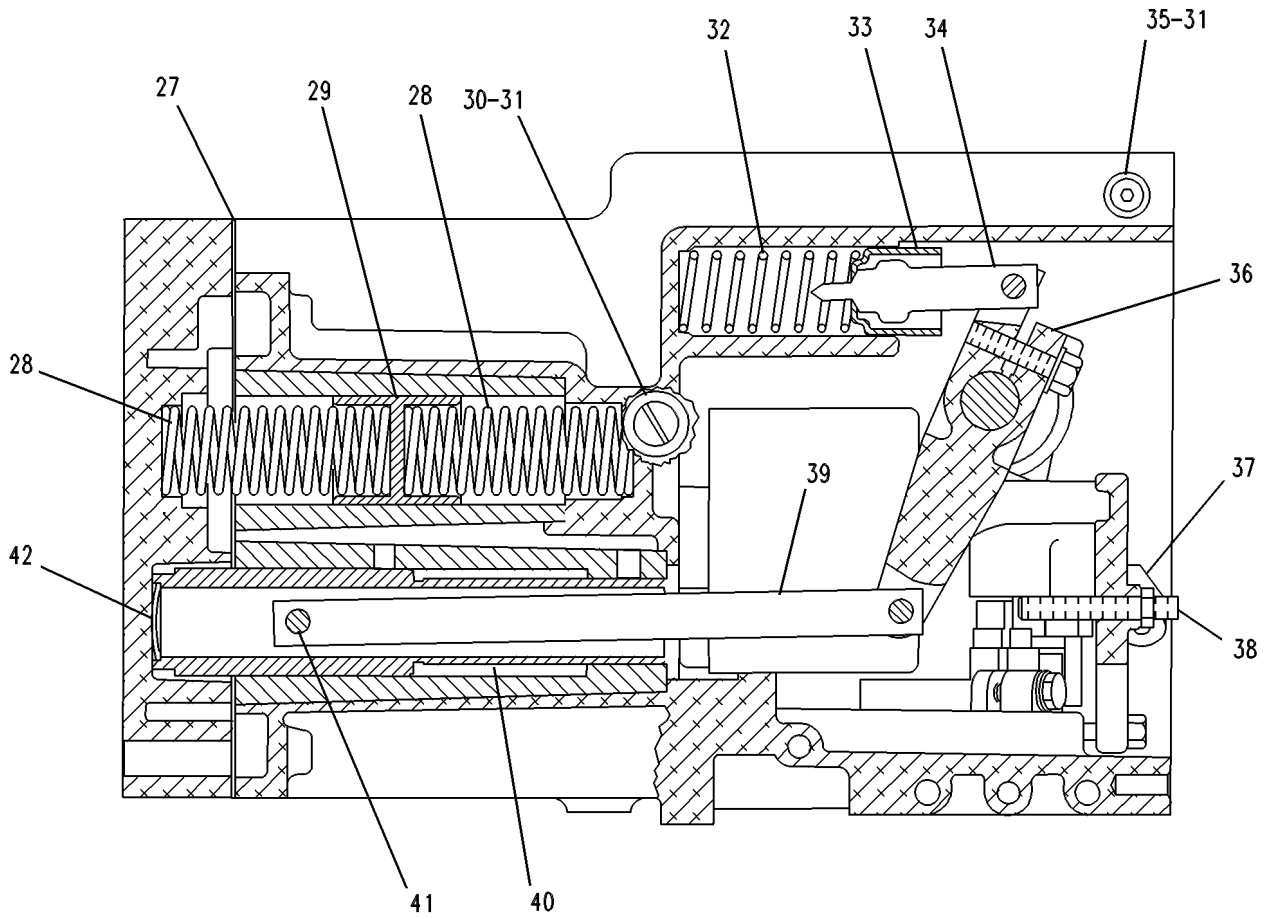
GRAPHIC #2

g00402841

FUEL SYSTEM

9Y-2651 GOVERNOR GP (contd.)

i00884456



SECTION C-C

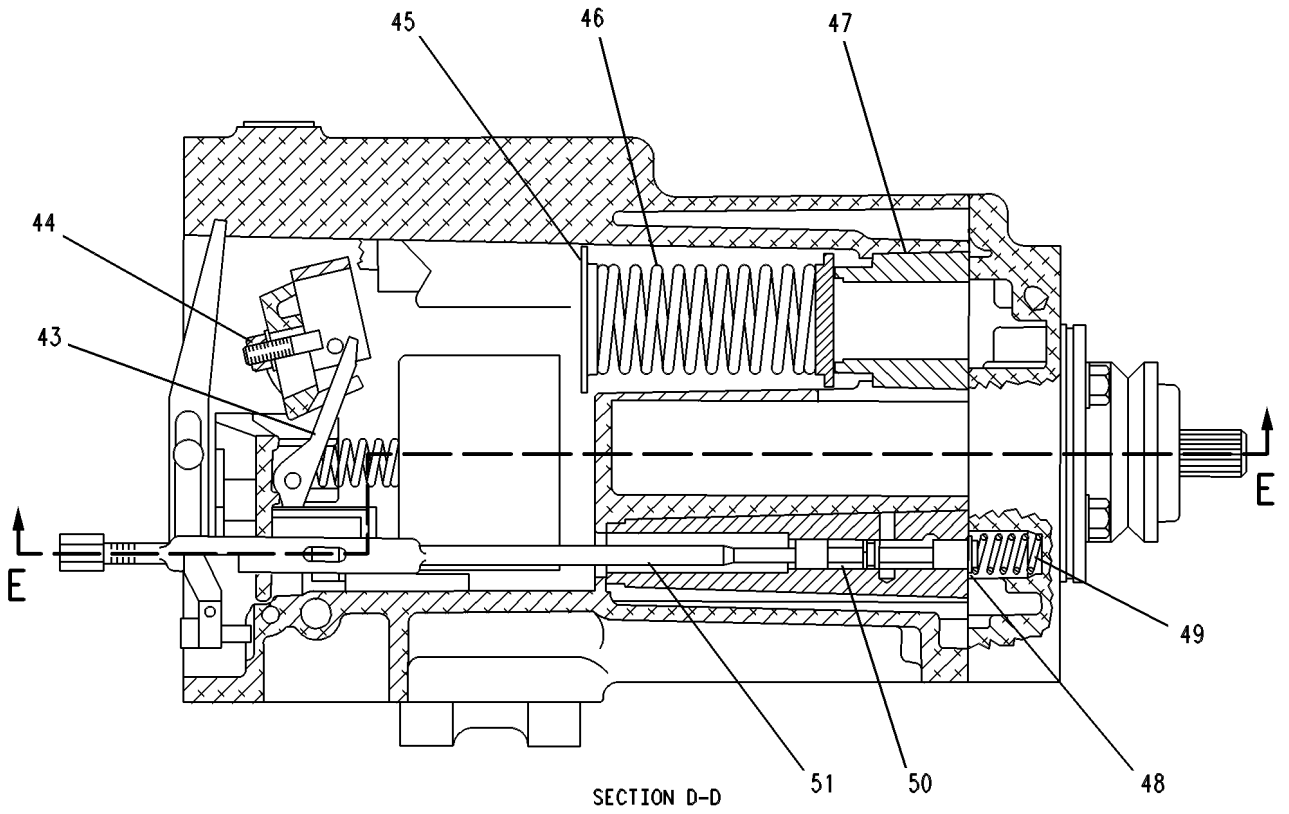
GRAPHIC #3

g00402842

FUEL SYSTEM

9Y-2651 GOVERNOR GP (contd.)

i00884456



REFER TO ALL ILLUSTRATIONS OF THIS GROUP FOR AUXILIARY VIEWS

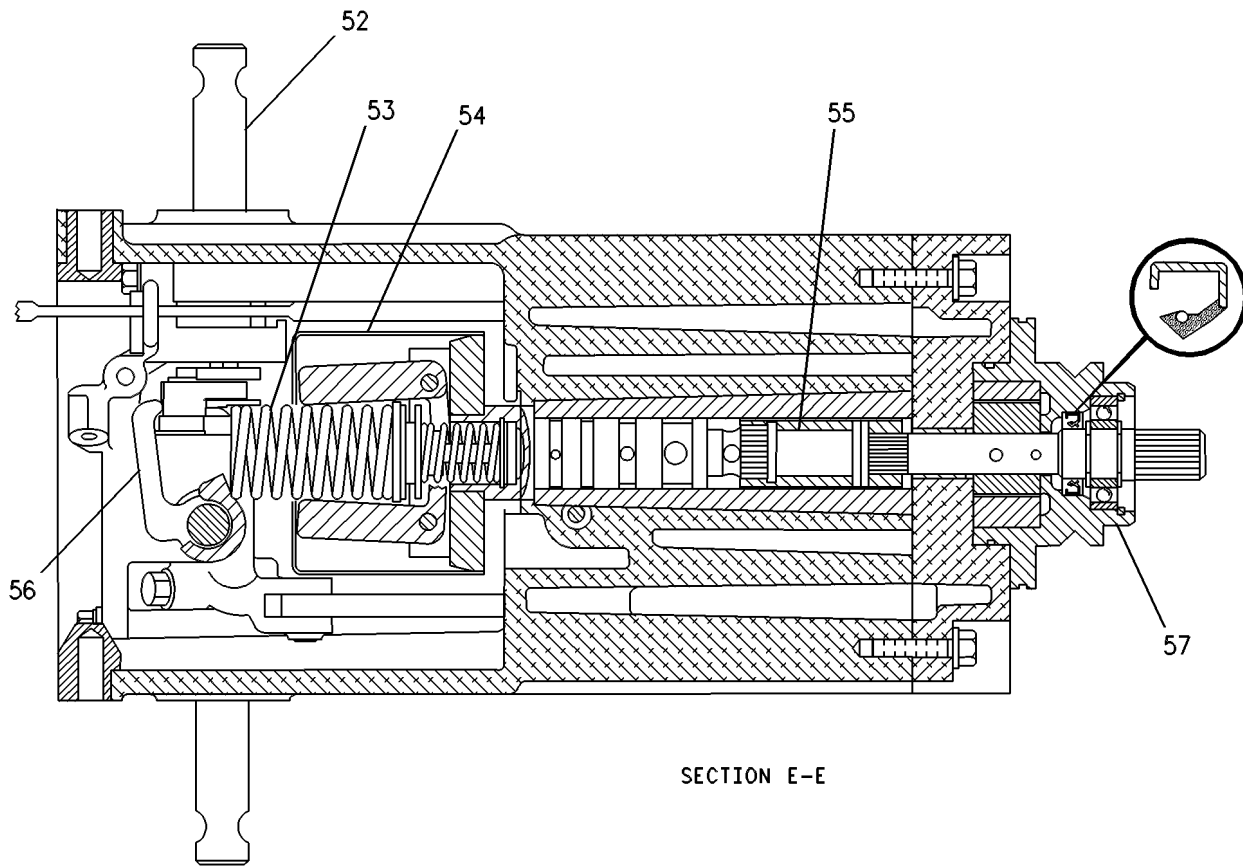
GRAPHIC #4

g00402843

FUEL SYSTEM

9Y-2651 GOVERNOR GP (contd.)

i00884456



SECTION E-E

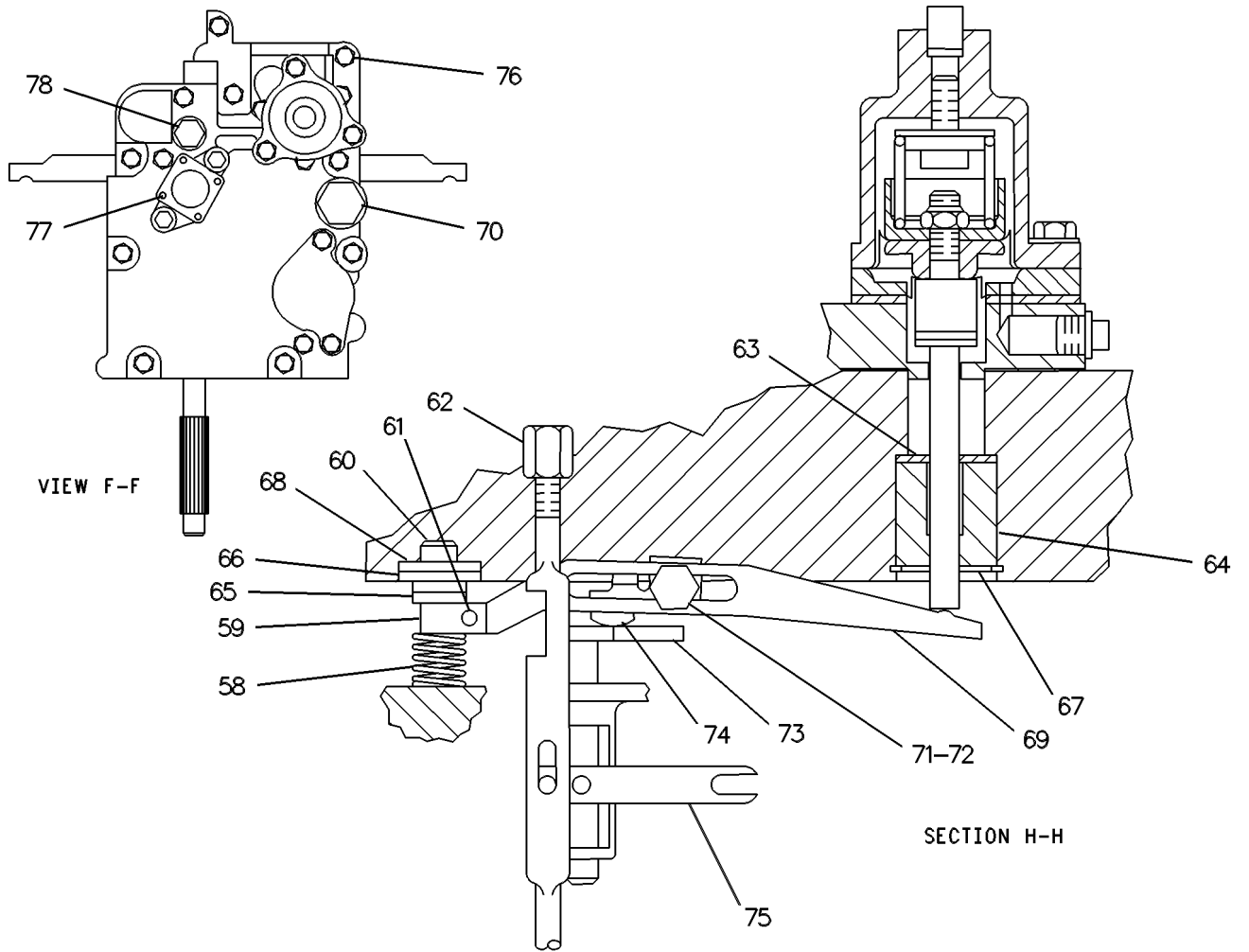
GRAPHIC #5

g00402844

FUEL SYSTEM

9Y-2651 GOVERNOR GP (contd.)

i00884456



GRAPHIC #6

<END>

g00402845

FUEL SYSTEM

9Y-2652 GOVERNOR GP

S/N: 50Y737-853; 66Z266-359

PART OF 1W-5021, 7W-3332, 7W-3333, 8N-6712 GOVERNOR GP
ALSO AN ATTACHMENT

SMCS-1264, 1908

i02667625

NOTE	REF NO	GRAPHIC REF	PART NUMBER	QTY	PART NAME						SEE PAGE
					1	2	3	4	5	6 (PRODUCT LEVEL)	
	1	1	2W-4633	1	TUBE						
	2	1	030-7946	2	ELBOW						
		1	6V-5048	2	SEAL-O-RING						
	3	1	9Y-2765	1	COVER-SETTING						
Y	4	1	7C-3999	1	CONTROL GP-GOVERNOR						981
	5	1	2W-0779	1	COVER						
	6	1	1W-9780	1	GASKET						
	7	1	9L-9777	2	SETSCREW						
	8	1	2W-0446	1	STOP-LEVER						
	9	1	8H-0707	1	BOLT (1/4-20X1-IN)						
		1	3B-4504	1	LOCKWASHER						
	10	1	2W-0243	1	PLATE-IDENTIFICATION (LEVER & DROOP)						
	11	1	2W-4315	1	VALVE-NEEDLE						
		1	2W-0224	1	SEAL-O-RING						
Y	12	1	2W-1458	1	HOUSING GP-GOVERNOR						1162
	13	1	1W-9781	2	GASKET-PLATE						
	14	1	2W-0138	38	SCREW-FORMING (1/4-20X1-IN)						
	15	1	9Y-2715	1	CONTROL GP-FUEL RATIO						
	16	1	7C-3985	1	BASE						
	17	1	3B-4605	2	PIN-COTTER						
	18	1	4W-3176	2	PIN						
Y	19	1	2W-2643	1	CONTROL GP-GOVERNOR						976
	20	1	2W-0245	1	BRACKET AS						
	21	1	2W-4606	1	PLATE-ORIFICE						
	22	2	2W-4317	1	PLUG-SPRING						
	23	2	2W-0148	1	SLIDER AS (MID DROOP)						
	24	2	2W-0282	3	SEAL-OIL						
	25	2	2W-4310	1	PIN						
	26	2	2W-4311	1	PIN						
	27	2	2W-4306	1	SPRING-LEVER						
	28	2	7C-0081	1	SHAFT (LEVER SPEED SETTING)						
	29	2	2W-0124	1	GASKET						
	30	2	7C-4262	2	SPRING-BUFFER						
	31	2	2W-4307	1	PISTON						
	32	2	2W-0774	1	PLUG AS						
	33	2	5P-7812	2	SEAL-O-RING						
	34	2	2W-0140	1	SPRING-RETURN						
	35	2	2W-4316	1	SEAT-LOADING						
	36	2	2W-4321	1	LINK-LOADING						
	37	2	7C-3018	1	ORIFICE-GOVERNOR						
	38	2	4W-3177	1	LEVER AS-TERMINAL						
	39	2	1B-4201	1	NUT-FULL (1/4-28-THD)						
	40	2	2W-4995	1	SETSCREW-SOCKET						
	41	2	2W-4305	1	LINK-CONNECTING						
	42	2	2W-4318	1	PISTON-SERVO						
	43	2	2W-6417	1	PIN-PISTON LINK						

FUEL SYSTEM

9Y-2652 GOVERNOR GP (contd.)

102667625

NOTE	REF NO	GRAPHIC REF	PART NUMBER	QTY	PART NAME						SEE PAGE
					1	2	3	4	5	6 (PRODUCT LEVEL)	
	44	2	4W-3178	1	WASHER-WAVE (SPRING)						
	45	2	2W-0776	1	COVER-SHUTDOWN						
	46	2	1W-9782	1	GASKET-SHUTOFF						
	47	2	9S-4185	1	PLUG (3/4-16-THD)						
		2	8L-2786	1	SEAL-O-RING						
	48	3	2W-5874	1	LEVER-SETTING						
	49	3	2F-3219	1	NUT-ELASTIC STOP						
		3	5P-0537	1	WASHER-HARD (7.2X14.5X2-MM THK)						
	50	3	2W-4324	1	SEAT-ACCUMULATOR						
	51	3	2W-1645	1	SPRING						
	52	3	2W-4319	1	PISTON						
	53	3	2H-3429	1	RING-RETAINING						
	54	3	2W-0283	1	SPRING-PLUNGER						
	55	3	2W-4313	1	PLUNGER-VALVE						
	56	3	2W-1646	1	ROD-SHUTOFF						
	57	4	2W-0144	2	SHAFT-TERMINAL						
	58	4	7C-0078	1	SPRING						
Y	59	4	2W-0233	1	FLYWEIGHT GP						1028
	60	4	7C-3988	1	COUPLING AS-DRIVE (SOLID)						
Y	61	4	9Y-1588	1	PUMP GP-GEAR (GOVERNOR)						1251
	62	4	2W-0447	1	LEVER-SETTING						
	63	5	7C-3900	1	PLUG						
		5	5P-7812	1	SEAL-O-RING						
	64	5	2W-1476	1	SPRING						
	65	5	2W-4619	1	SEAT						
	66	5	2W-5916	1	SCREW (1/4-28X4.5-IN)						
	67	5	7C-0077	1	GUIDE AS-ROD						
	68	5	2W-4622	1	ROD						
	69	5	5P-4672	1	RING-RETAINING						
	70	5	8H-0707	9	BOLT (1/4-20X1-IN)						
	71	6	2W-4994	1	SPRING						
	72	6	2W-5005	1	BLOCK-PIVOT						
	73	6	1A-8912	2	WASHER (6.7X12.7X1.6-MM THK)						
	74	6	2F-6721	1	PIN-RACK						
	75	6	2W-1228	1	NUT-SHUTDOWN ADJUSTMENT (1/4-28-THD)						
	76	6	7C-8918	1	WASHER-BIMETAL						
	77	6	9Y-2763	1	WASHER-SPRING						
	78	6	9Y-2762	1	SPACER						
	79	6	4D-1322	1	RING-RETAINING						
	80	6	2W-4635	1	LEVER-LIMITER						
	81	6	2W-5975	1	SCREW-BOLT (1/4-28X0.5-IN)						
	82	6	3L-6759	1	WASHER						
	83	6	2W-5014	1	ROD AS						
	84	6	2W-4608	1	CAMSHAFT-LINK						
	85	6	2W-5011	1	LEVER AS						
M	86	6	7C-8919	1	BOLT (1/4-28X1.75-IN)						
	87	6	7C-8917	1	WASHER-BIMETAL						
					AVAILABLE REPAIR KIT(S):						
			9Y-2716	1	KIT-FUEL RATIO CONTROL						
					(INCLUDES PIN, GASKET, SEAL, & DIAPHRAGMS)						

FUEL SYSTEM

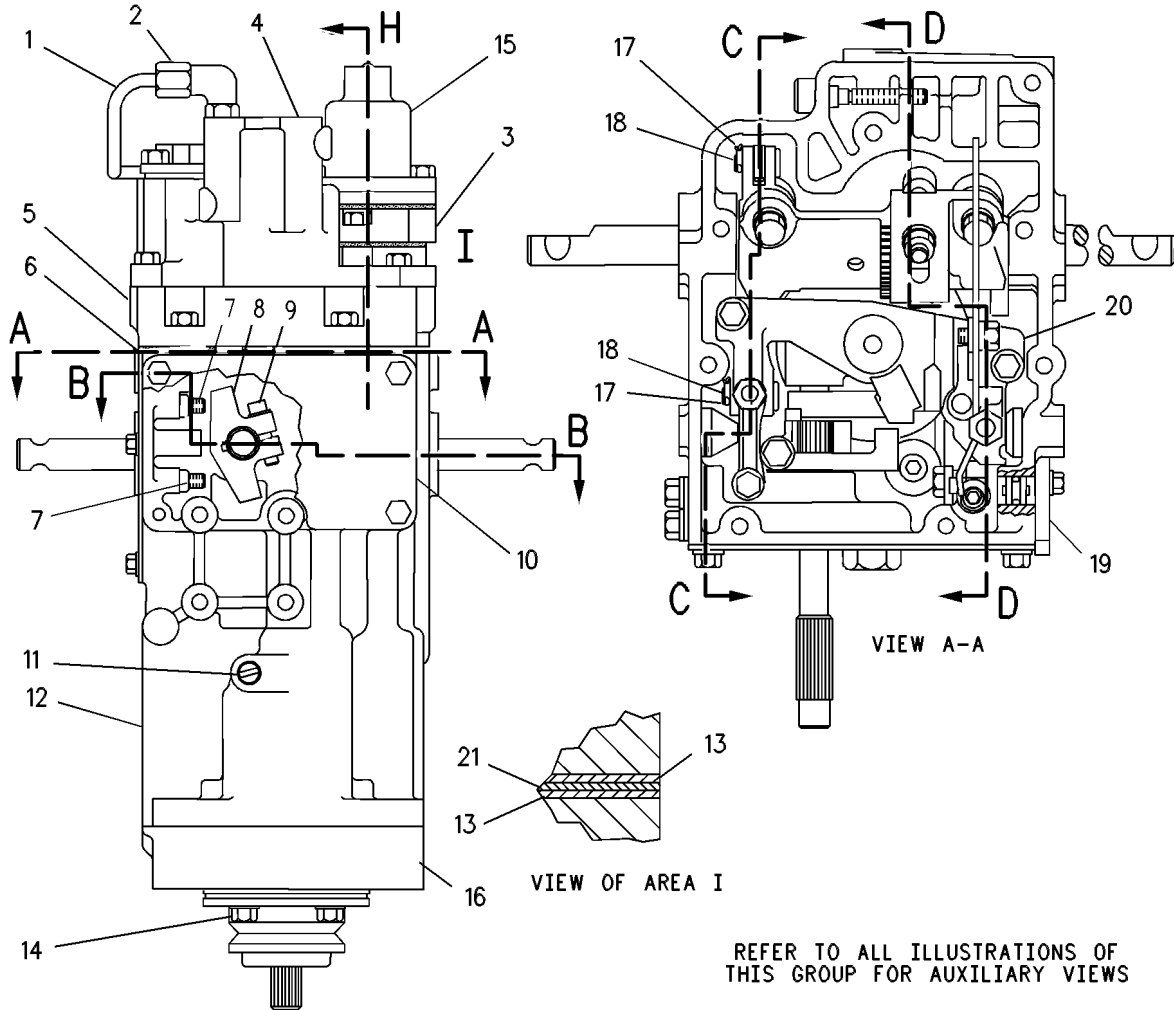
9Y-2652 GOVERNOR GP (contd.)

i02667625

NOTE	REF NO	GRAPHIC REF	PART NUMBER	QTY	PART NAME	SEE PAGE
			4W-7628	1	KIT-GOVERNOR REPAIR	

(INCLUDES PINS, BEARINGS, PACKINGS, RINGS, SEALS, GASKETS, & RACE)

M - METRIC PART
Y - SEPARATE ILLUSTRATION



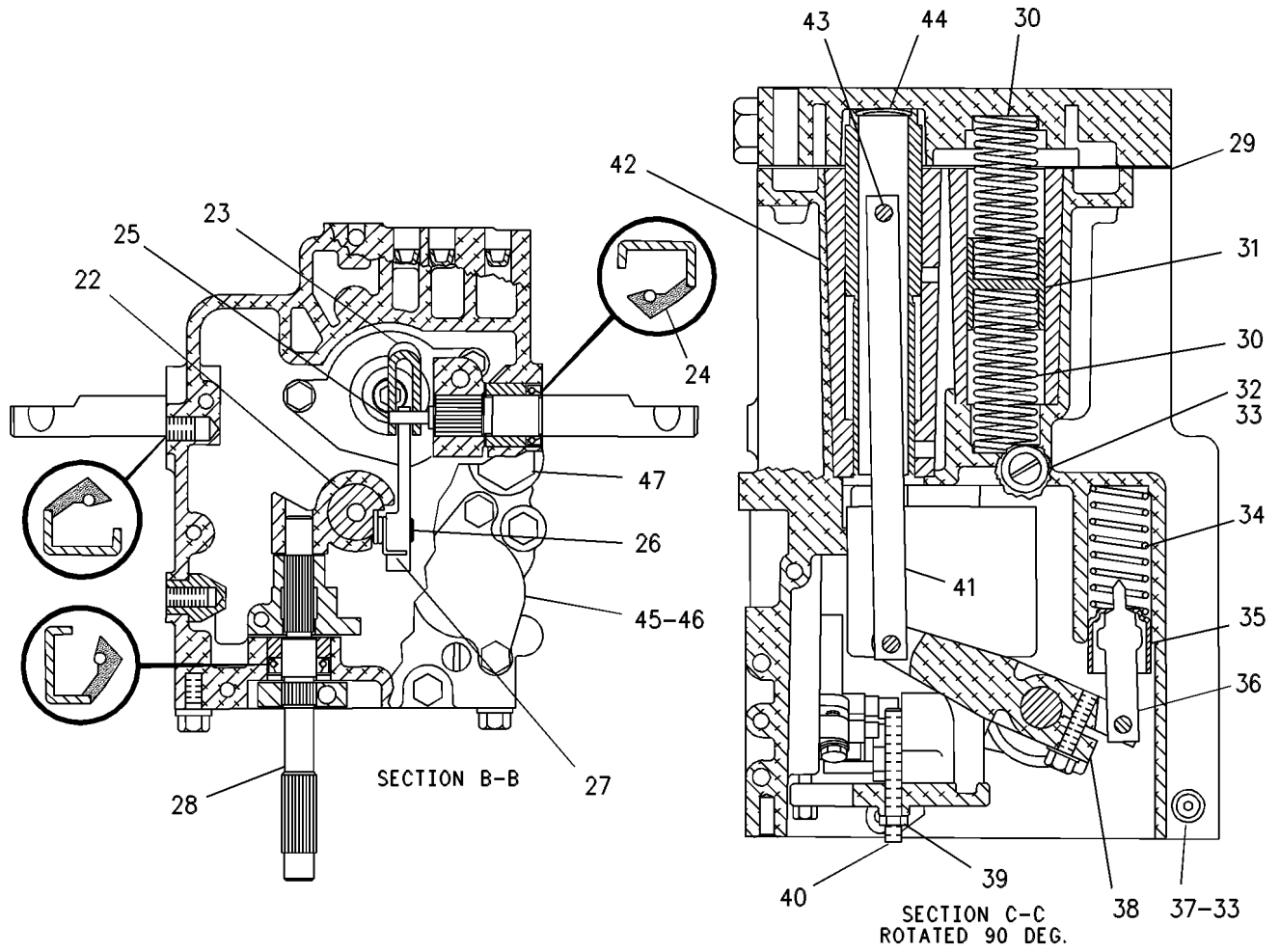
GRAPHIC #1

g00419948

FUEL SYSTEM

9Y-2652 GOVERNOR GP (contd.)

102667625



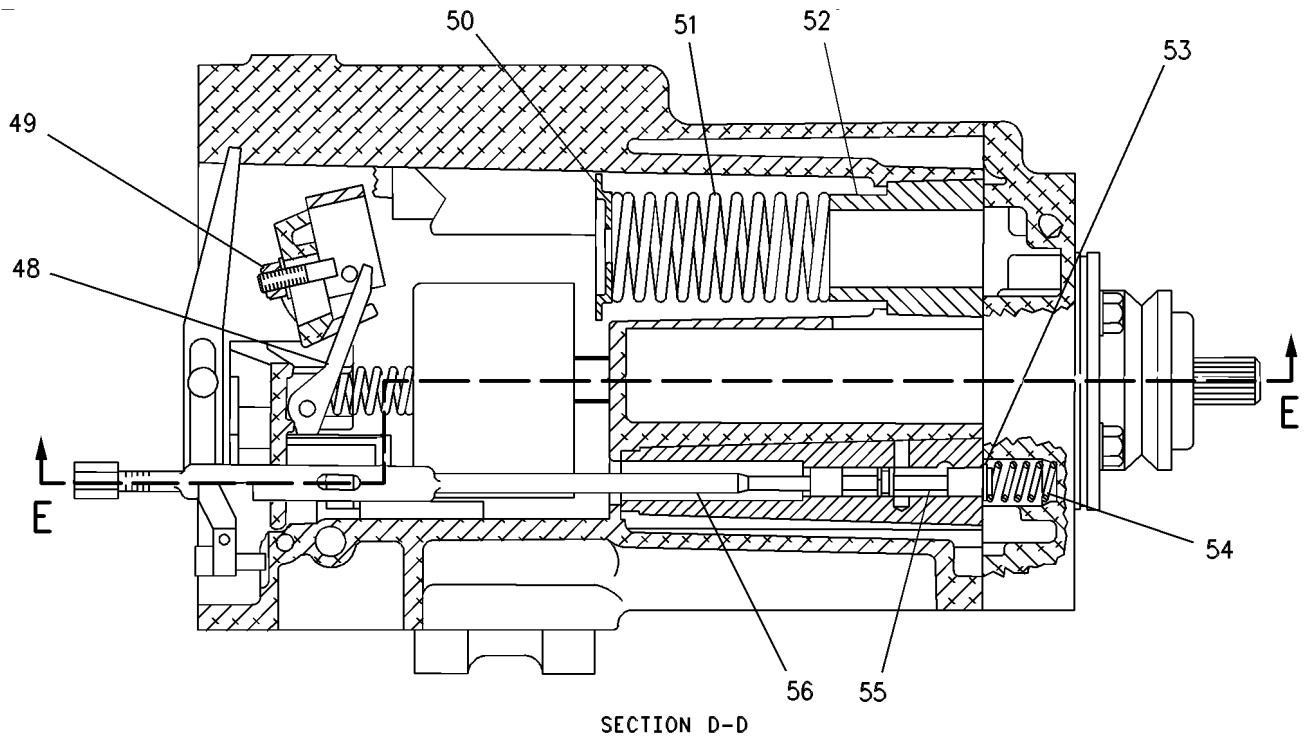
GRAPHIC #2

g00419949

FUEL SYSTEM

9Y-2652 GOVERNOR GP (contd.)

102667625



REFER TO ALL ILLUSTRATIONS OF THIS GROUP FOR AUXILIARY VIEWS

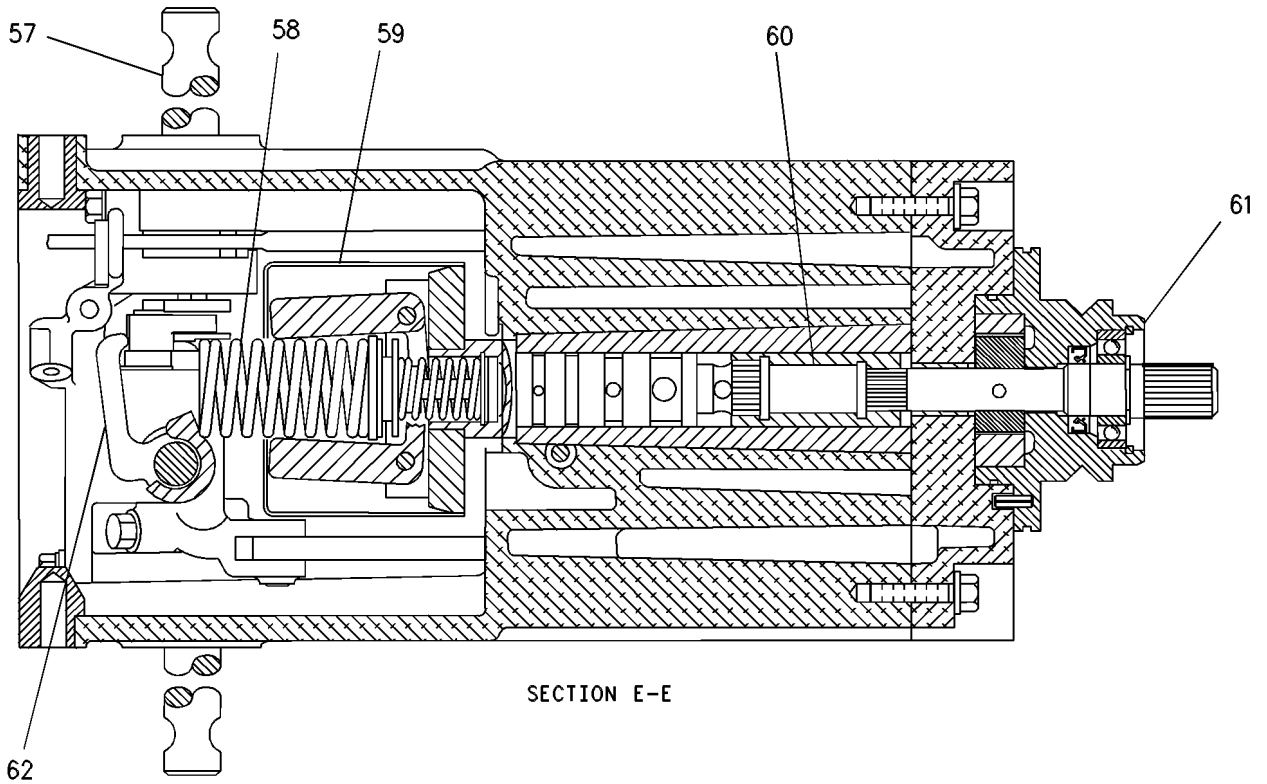
GRAPHIC #3

g00419950

FUEL SYSTEM

9Y-2652 GOVERNOR GP (contd.)

102667625



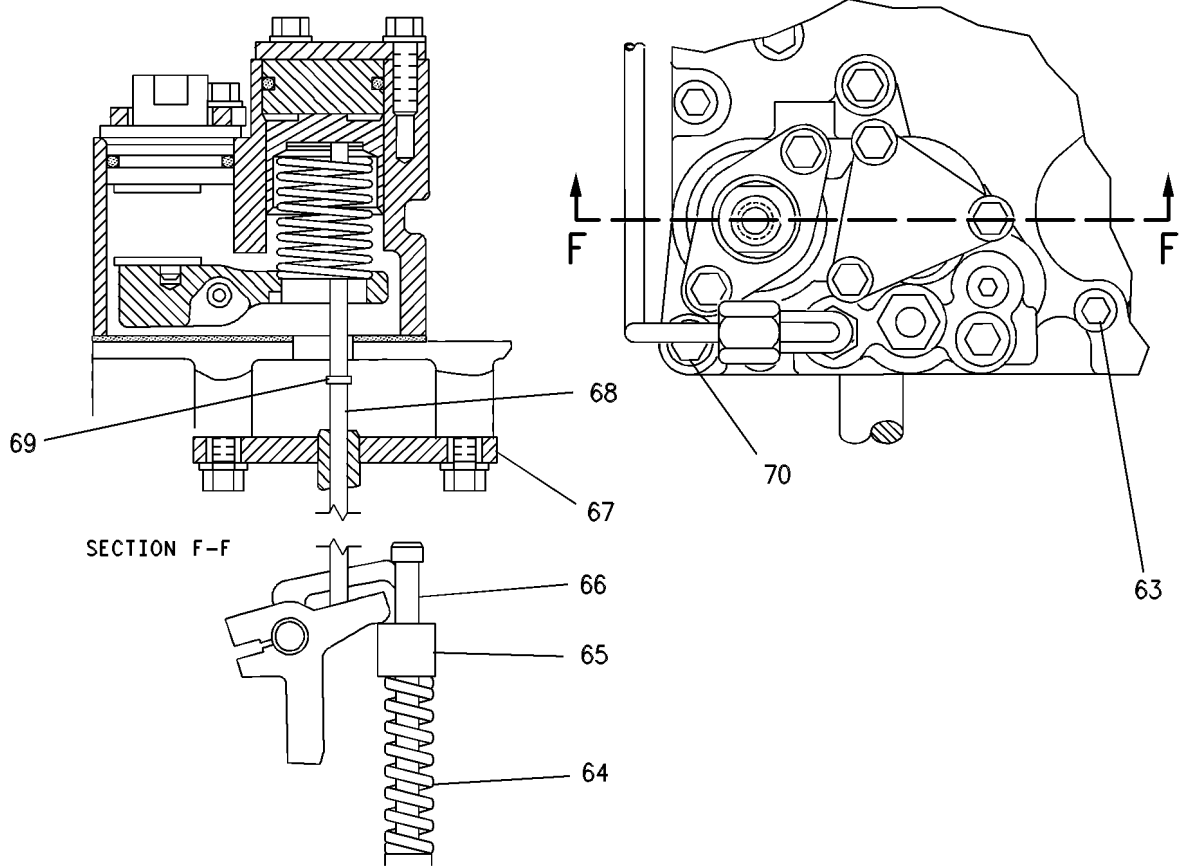
GRAPHIC #4

g00419951

FUEL SYSTEM

9Y-2652 GOVERNOR GP (contd.)

102667625



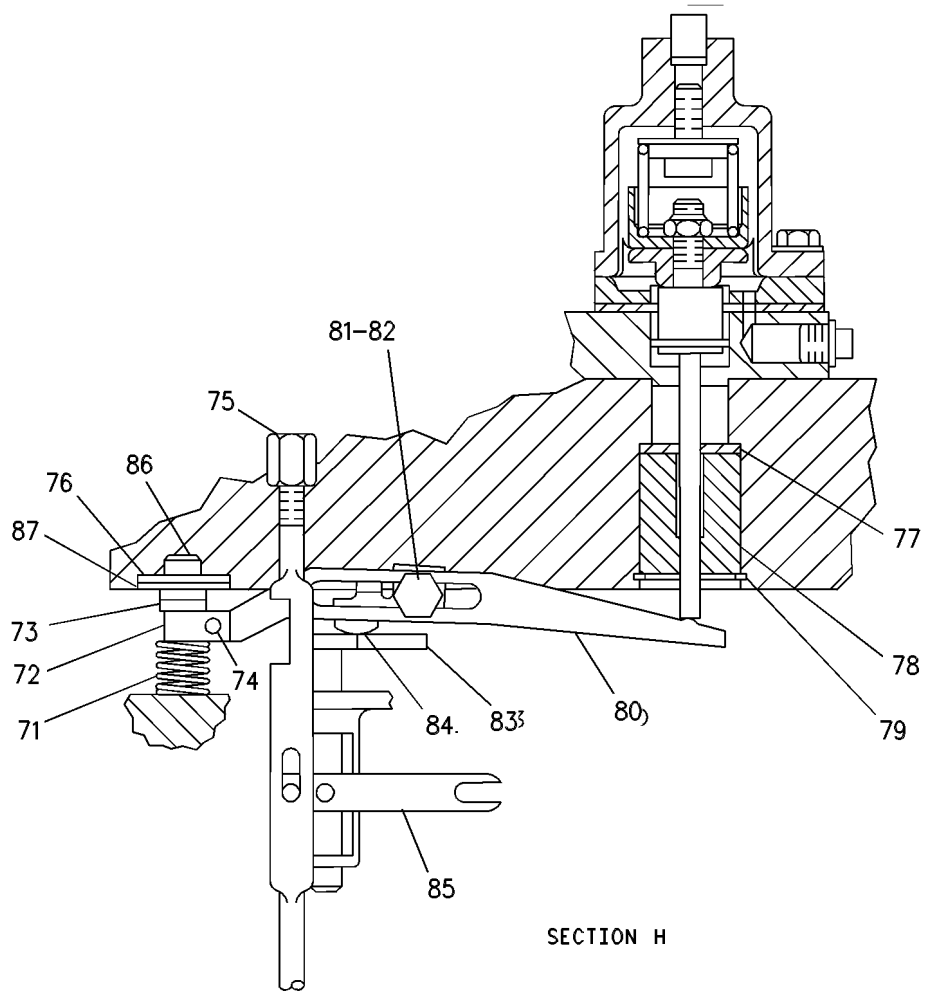
GRAPHIC #5

g00419952

FUEL SYSTEM

9Y-2652 GOVERNOR GP (contd.)

102667625



GRAPHIC #6

<END>

g00419953

FUEL SYSTEM

138-6615 GOVERNOR GP-ELECTRONIC-LOAD SHARE AN ATTACHMENT

SMCS-1908

i06888796

NOTE	PART NUMBER	QTY	PART NAME						SEE PAGE
			1	2	3	4	5	6 (PRODUCT LEVEL)	
	4W-8790	1	BLOCK-FUSE						
	131-5454	1	CONTROL AS-ELECTRONIC GOVERNOR						
	7T-0037	1	FUSE (0.75-AMPERE)						
	126-3085	1	HARNESS AS-ENGINE (GOVERNOR) (EMCP II)						
	126-3103	1	HARNESS AS-PANEL (GOVERNOR) (EMCP II)						
	4W-5972	1	KNOB						
	127-9068	1	POTENTIOMETER (100-OHM, 2-WATT) (GOVERNOR)						
	7C-4550	1	SEAL (ROTATING SHAFT)						
	5L-5840	1	WASHER (9.25X16.92X1.83-MM THK)						
<END>									

FUEL SYSTEM

1W-7208 HOUSING GP-GOVERNOR

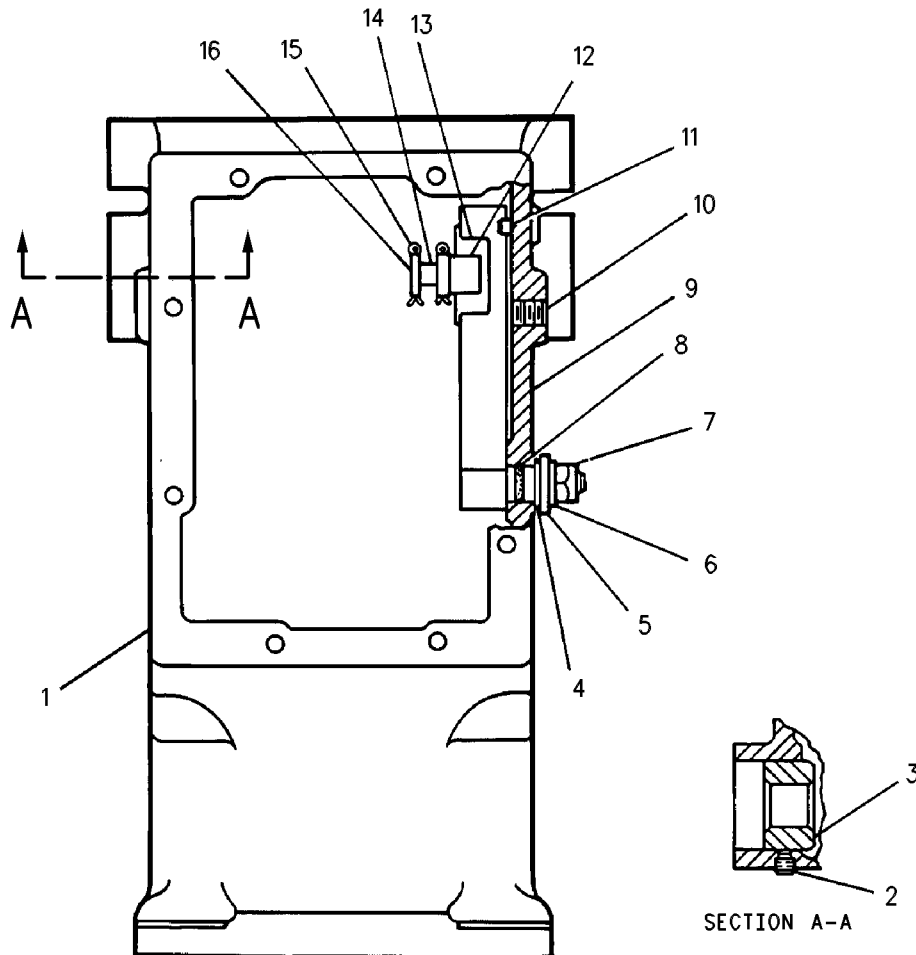
PART OF 1W-0516 GOVERNOR GP

AN ATTACHMENT

SMCS-1287

i00931968

NOTE	REF NO	GRAPHIC REF	PART NUMBER	QTY	PART NAME						SEE PAGE
					1	2	3	4	5	6 (PRODUCT LEVEL)	
	1	1	2W-5824	1	HOUSING						
	2	1	022-3035	2	SETSCREW						
	3	1	2F-6743	2	BEARING-SHAFT						
	4	1	008-2699	1	WASHER						
	5	1	2W-5820	1	POINTER						
	6	1	9F-9637	1	WASHER						
	7	1	5M-3034	1	LOCKNUT (5/16-24-THD)						
	8	1	4J-5477	1	SEAL-O-RING						
	9	1	2W-5821	1	LEVER AS						
	10	1	9F-2247	2	PLUG-PIPE						
	11	1	2F-6734	2	PIN-STRAIGHT						
	12	1	2F-6739	1	LINK-ADJUSTMENT						
	13	1	2F-6737	1	FULCRUM						
	14	1	2W-5823	1	PIN						
	15	1	3B-4605	1	PIN-COTTER						
	16	1	2W-5822	1	RETAINER						



GRAPHIC #1

<END>

g00478318

FUEL SYSTEM

2W-1458 HOUSING GP-GOVERNOR

S/N: 50Y647-1304; 66Z190-359

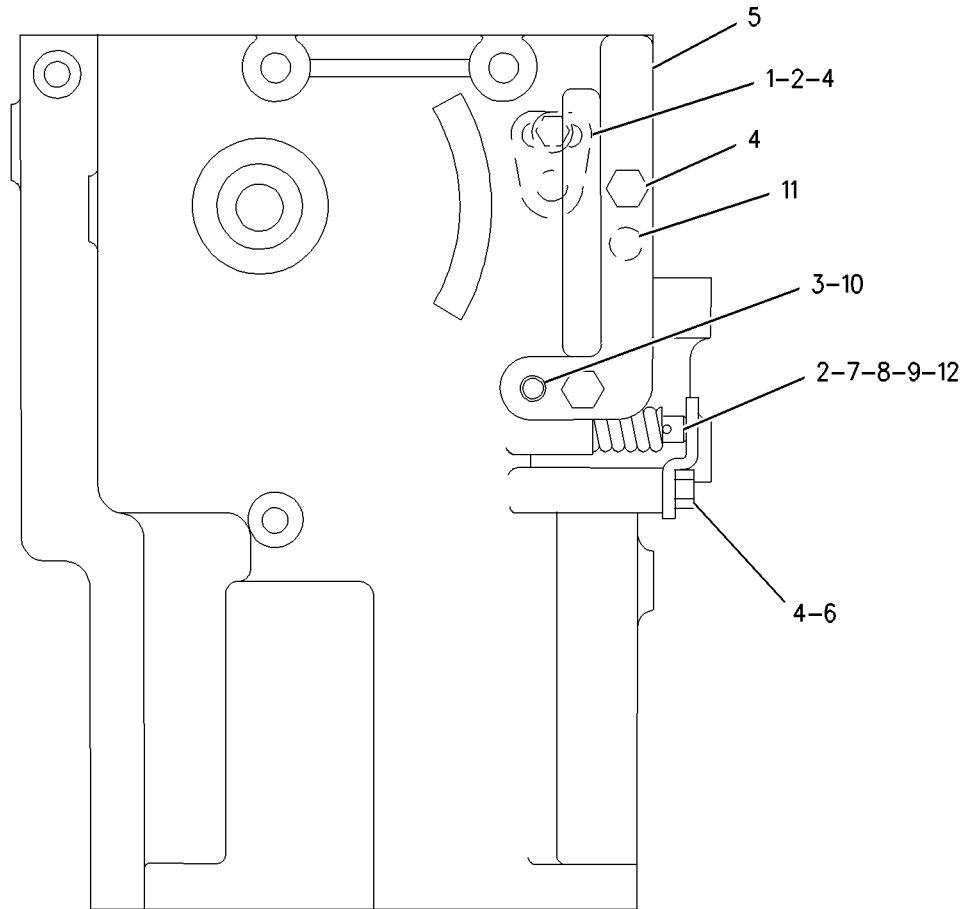
PART OF 2W-1923, 4W-7241, 4W-7269, 7C-0083, 7C-0084, 7C-2850, 7C-3023, 7C-5681, 7W-3285, 9Y-2651, 9Y-2652 GOVERNOR GP

ALSO AN ATTACHMENT

SMCS-1287

i01762972

NOTE	REF NO	GRAPHIC REF	PART NUMBER	QTY	PART NAME						SEE PAGE
					1	2	3	4	5	6	
	1	1	2W-1482	1	PLUG-SPEED DROOP						
	2	1	2W-0224	1	SEAL-O-RING (6.07MM ID)						
	3	1	2W-0222	1	SEAL-O-RING						
	4	1	2W-0138	4	SCREW-FORMING (1/4-20X1-IN)						
	5	1	2W-4320	1	COVER-STOP						
	6	1	2W-4322	1	RETAINER-PIN						
	7	1	2K-3455	1	PIN-SPRING						
	8	1	2W-4314	1	PIN-ZEROING						
	9	1	2W-4304	1	SPRING-PIN						
	10	1	2W-4624	1	PLUG-DETENT ADJUSTMENT						
	11	1	4W-4551	2	NUT-SPLINE						
	12	1	2W-0221	1	SEAL-O-RING (4.47MM ID)						



GRAPHIC #1

<END>

g00901885

FUEL SYSTEM

7E-5416 HOUSING GP-GOVERNOR

S/N: 50Y854-874; 66Z360-578

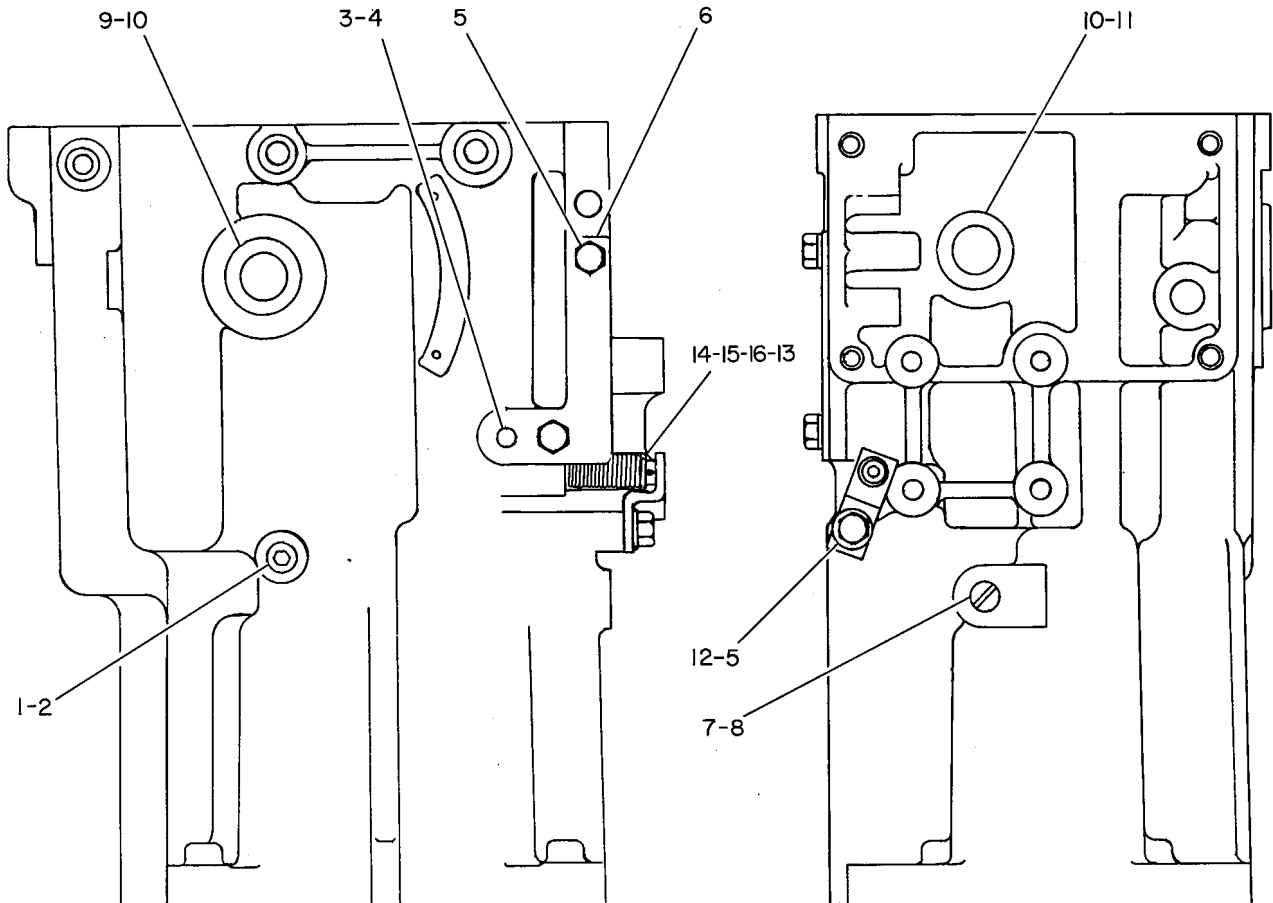
PART OF 7E-4537 GOVERNOR GP

ALSO AN ATTACHMENT

SMCS-1287

i00118250

NOTE	REF NO	GRAPHIC REF	PART NUMBER	QTY	PART NAME						SEE PAGE
					1	2	3	4	5	6 (PRODUCT LEVEL)	
	1	1	2W-0774	1	PLUG AS						
	2	1	5P-7812	1	SEAL-O-RING						
	3	1	2W-0222	1	SEAL-O-RING						
	4	1	2W-4624	1	PLUG-DETENT ADJUSTMENT						
	5	1	0S-1616	3	BOLT (1/4-20X1-IN)						
	6	1	2W-4320	1	COVER-STOP						
	7	1	2W-4315	1	VALVE-NEEDLE						
	8	1	2W-0224	1	SEAL-O-RING						
	9	1	7E-5563	2	BEARING-SHAFT						
	10	1	2W-0282	3	SEAL-OIL						
	11	1	7E-5562	1	BEARING-SHAFT						
	12	1	2W-4322	1	RETAINER-PIN						
	13	1	2W-0221	1	SEAL-O-RING						
	14	1	2K-3455	1	PIN-SPRING						
	15	1	2W-4314	1	PIN-ZEROING						
	16	1	2W-4304	1	SPRING-PIN						



GRAPHIC #1

<END>

g00099923

FUEL SYSTEM

121-2630 INJECTOR GP-FUEL*R

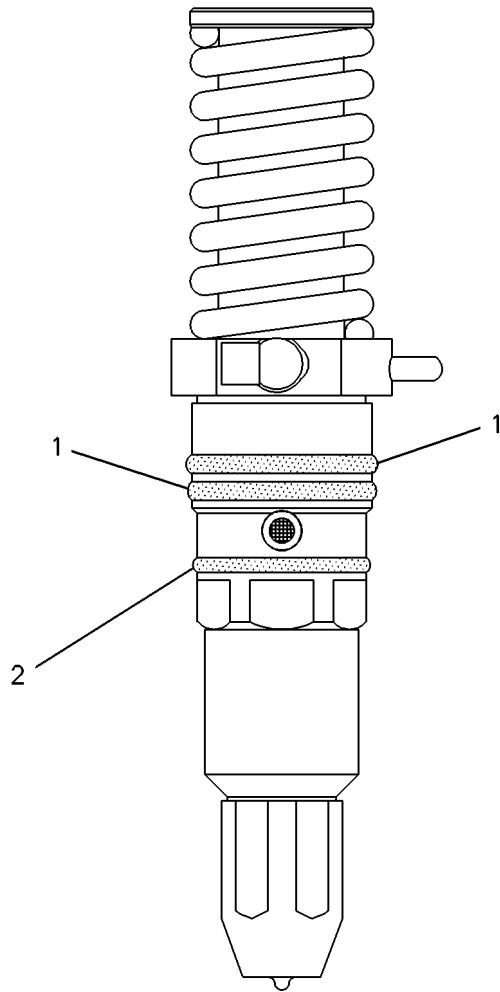
S/N: 66Z190-578

PART OF 121-3563 PUMP GP-FUEL INJECTION
AN ATTACHMENT

SMCS-1251, 1254, 1290, 1713

i01461830

NOTE	REF NO	GRAPHIC REF	PART NUMBER	QTY	PART NAME						SEE PAGE
					1	2	3	4	5	6 (PRODUCT LEVEL)	
	1	1	194-9584	2	SEAL-O-RING						
	2	1	5P-8065	1	SEAL-O-RING						



GRAPHIC #1

<END>

g00083426

FUEL SYSTEM

392-0206 INJECTOR GP-FUEL*R

S/N: 50Y647-1304

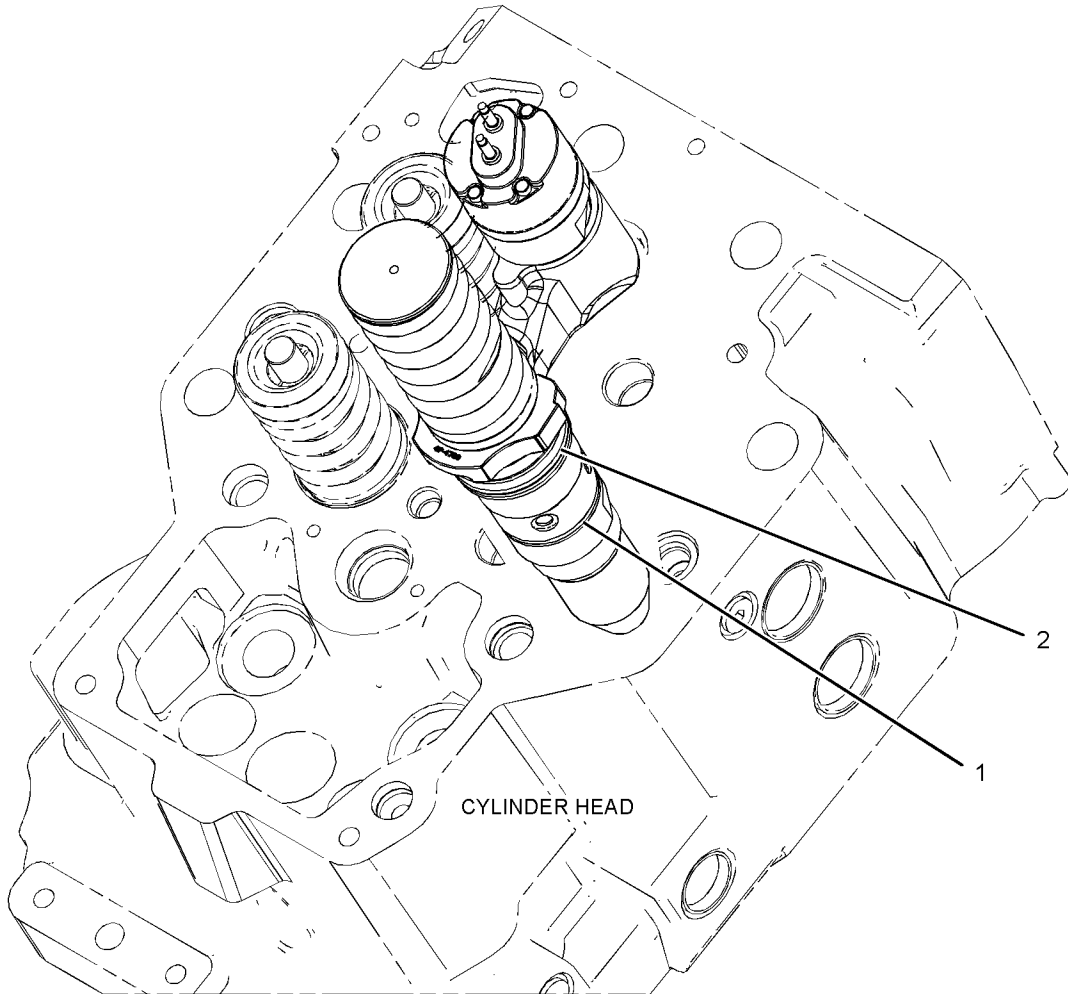
PART OF 350-2143 KIT-ENGINE CONVERSION

SMCS-1251, 1254, 1290, 1713

i05812261

NOTE	REF NO	GRAPHIC REF	PART NUMBER	QTY	PART NAME						SEE PAGE
					1	2	3	4	5	6 (PRODUCT LEVEL)	
	1	1	245-4907	1	SEAL-O-RING						
	2	1	245-4908	1	SEAL-O-RING						

PARTS SHOWN IN GRAPHIC(S) WITHOUT A REFERENCE NUMBER ARE NOT SERVICED SEPARATELY



GRAPHIC #1

<END>

g03686747

FUEL SYSTEM

392-0220 INJECTOR GP-FUEL*R

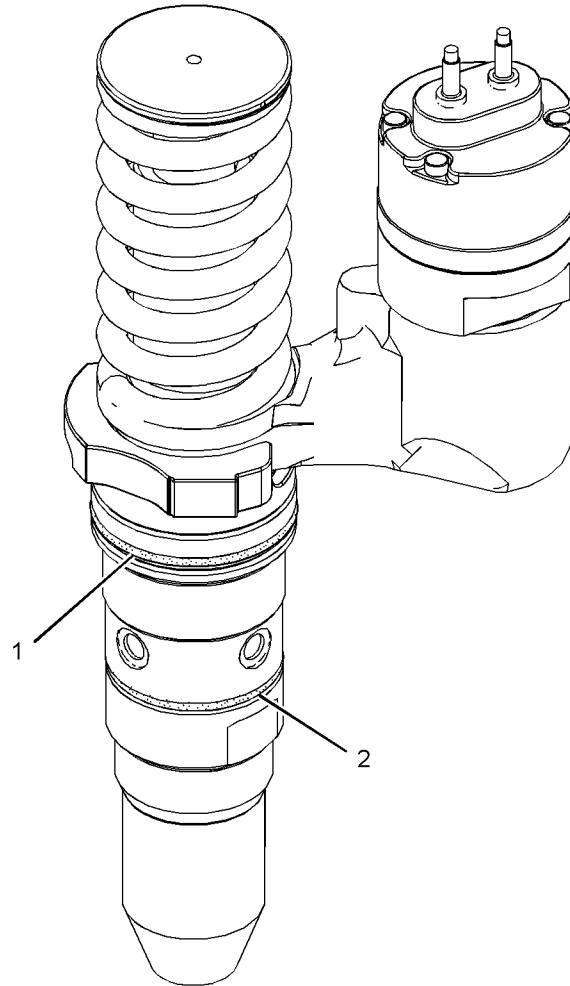
S/N: 50Y647-1304

PART OF 274-0053 PUMP GP-FUEL INJECTION

SMCS-1251, 1254, 1290, 1713

i06222073

NOTE	REF NO	GRAPHIC REF	PART NUMBER	QTY	PART NAME						SEE PAGE
					1	2	3	4	5	6 (PRODUCT LEVEL)	
	1	1	245-4908	1	SEAL-O-RING						
	2	1	245-4907	1	SEAL-O-RING						



GRAPHIC #1

<END>

g02943876

FUEL SYSTEM

4P-9076 INJECTOR GP-FUEL*R

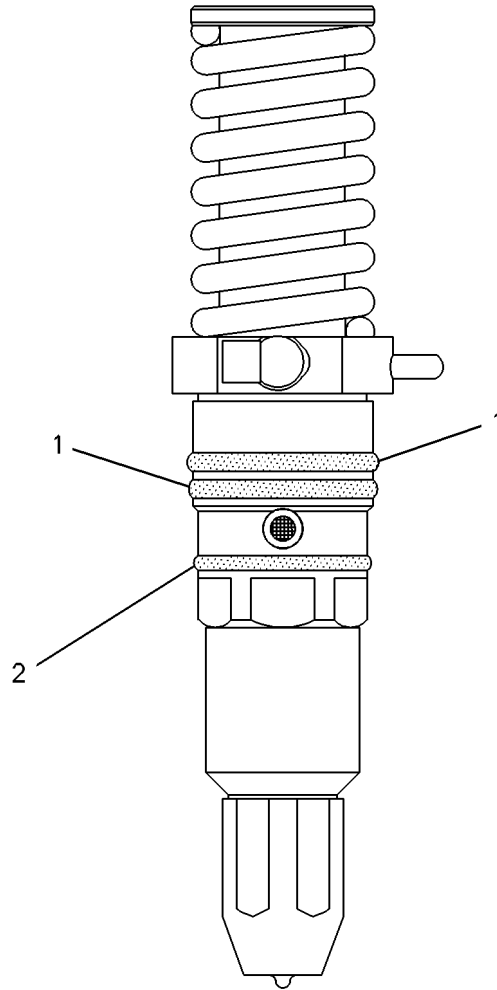
S/N: 50Y1137-1304

PART OF 9Y-1796 PUMP GP-FUEL INJECTION

SMCS-1251, 1254, 1290, 1713

i06948075

NOTE	REF NO	GRAPHIC REF	PART NUMBER	QTY	PART NAME						SEE PAGE
					1	2	3	4	5	6 (PRODUCT LEVEL)	
	1	1	194-9584	2	SEAL-O-RING						
	2	1	6V-1250	1	SEAL-O-RING						



GRAPHIC #1

<END>

g00083426

FUEL SYSTEM

7C-9576 INJECTOR GP-FUEL*R

S/N: 50Y647-675

FIELD REPLACEMENT FOR 7W-2269 INJECTOR AS-FUEL
FIELD INSTALLATION

SMCS-1251, 1254, 1290, 1713

i00118234

NOTE	PART NUMBER	QTY	PART NAME 1 2 3 4 5 6 (PRODUCT LEVEL)	SEE PAGE
	7C-9795	1	CONE	
R	7C-0344	1	NOZZLE AS-UNIT INJECTOR	
	6V-9178	1	SEAL-O-RING	
R - REMANUFACTURED PART MAY BE AVAILABLE				
<END>				

7C-9577 INJECTOR GP-FUEL*R

S/N: 50Y647-675

FIELD REPLACEMENT FOR 7W-8668 INJECTOR AS
FIELD INSTALLATION

SMCS-1251, 1254, 1290, 1713

i00651321

NOTE	PART NUMBER	QTY	PART NAME 1 2 3 4 5 6 (PRODUCT LEVEL)	SEE PAGE
	7C-9795	1	CONE	
R	7C-2238	1	NOZZLE AS-FUEL VALVE	
	6V-9178	1	SEAL-O-RING	
R - REMANUFACTURED PART MAY BE AVAILABLE				
<END>				

7C-9578 INJECTOR GP-FUEL*R

S/N: 66Z190-209

FIELD REPLACEMENT FOR 7C-0877 INJECTOR AS-FUEL
FIELD INSTALLATION

SMCS-1251, 1254, 1290, 1713

i00883979

NOTE	PART NUMBER	QTY	PART NAME 1 2 3 4 5 6 (PRODUCT LEVEL)	SEE PAGE
	4W-3569	1	BODY AS	
	1W-3647	1	CAGE-PLATE	
	4W-5725	1	CASE AS-INJECTOR	
	7C-9795	1	CONE	
	4W-3567	1	DEFLECTOR-INJECTION	
R	7C-0340	1	NOZZLE AS-UNIT INJECTOR	
	1W-3648	1	PLATE-UNIT INJECTION	
	7C-9791	1	PLUNGER & BARREL AS	
	4W-3565	1	RACK-INJECTION	
	6V-9178	1	SEAL-O-RING	
	6J-2419	1	SEAL-O-RING	
	4P-3487	1	SPRING-INJECTOR	
	9Y-2691	1	TAPPET AS	
R - REMANUFACTURED PART MAY BE AVAILABLE				
<END>				

FUEL SYSTEM

2W-4927 LINES GP-DIVERTER VALVE

PART OF 7W-7322 SHUTOFF GP-ELECTRICAL, 7W-7323 SHUTOFF GP-HYDROMECHANICAL
AN ATTACHMENT
TYPE 1

SMCS-5066

i02646846

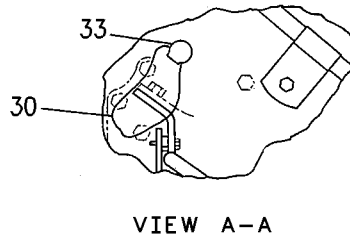
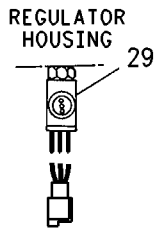
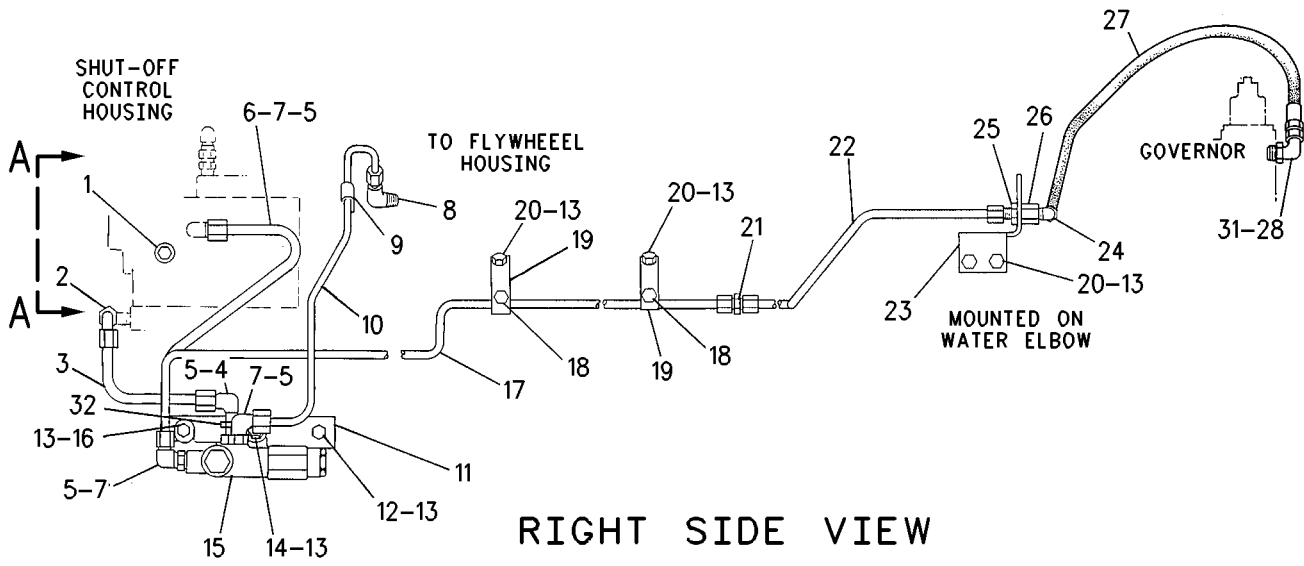
NOTE	REF NO	GRAPHIC REF	PART NUMBER	QTY	PART NAME	SEE PAGE
					1 2 3 4 5 6 (PRODUCT LEVEL)	
	1	1	9D-7032	1	SWITCH AS-PRESSURE (FUEL)	
	2	1	6K-9194	1	ELBOW	
	3	1	2W-0632	1	TUBE AS	
	4	1	6K-9194	1	ELBOW	
	5	1	3J-1907	4	SEAL-O-RING	
	6	1	2W-0636	1	TUBE AS	
	7	1	030-7947	3	ADAPTER-ELBOW	
	8	1	032-1268	1	CONNECTOR (90-DEG)	
	9	1	7B-1597	1	CLIP	
	10	1	2W-0635	1	TUBE AS	
	11	1	8N-8506	1	BRACKET	
	12	1	0S-1594	1	BOLT (3/8-16X1-IN)	
	13	1	5M-2894	9	WASHER-HARD (10.2X18.5X2.5-MM THK)	
	14	1	3B-1915	1	BOLT (3/8-16X1.375-IN)	
Y	15	1	4W-1775	1	VALVE GP-DIVERTER	797
	16	1	0S-1588	1	BOLT (3/8-16X1.25-IN)	
		1	9S-8752	1	NUT-FULL (3/8-16-THD)	
	17	1	2W-0634	1	TUBE AS	
	18	1	4F-7957	3	BOLT (1/4-20X0.875-IN)	
		1	5P-0537	3	WASHER-HARD (7.2X14.5X2-MM THK)	
	19	1	5N-5671	3	BRACKET	
		1	5N-5996	3	CLAMP	
	20	1	0L-1351	5	BOLT (3/8-16X0.875-IN)	
	21	1	7K-4129	1	UNION-FLARED	
	22	1	5N-7782	1	TUBE AS	
	23	1	8N-8514	1	BRACKET	
	24	1	6K-1972	1	ELBOW-FLARED	
	25	1	2P-1279	1	LOCKNUT (9/16-18-THD)	
	26	1	5P-4653	1	CONNECTOR	
I	27	1	2V-5956	1	HOSE AS	
	28	1	030-7946	1	ELBOW	
Y	29	1	9Y-0914	1	SWITCH GP-TEMPERATURE (WATER)	1812
D	30	1	5P-6025		LOCKWIRE (.3M)	
	31	1	3J-7354	1	SEAL-O-RING	
	32	1	2R-6806	1	CONNECTOR	
	33	1	8S-8159	1	SEAL	

D - ORDER BY THE METER
I - REFER TO HYDRAULIC INFORMATION SYSTEM
Y - SEPARATE ILLUSTRATION

FUEL SYSTEM

2W-4927 LINES GP-DIVERter VALVE (contd.)

i02646846



GRAPHIC #1

<END>

g00705459

FUEL SYSTEM

2W-4927 LINES GP-DIVERter VALVE

PART OF 7W-7322 SHUTOFF GP-ELECTRICAL, 7W-7323 SHUTOFF GP-HYDROMECHANICAL

AN ATTACHMENT

TYPE 2

SMCS-5066

i02646852

NOTE	REF NO	GRAPHIC REF	PART NUMBER	QTY	PART NAME						SEE PAGE
					1	2	3	4	5	6 (PRODUCT LEVEL)	
	1	1	7K-4129	1	UNION-FLARED						
Y	2	1	9Y-0914	1	SWITCH GP-TEMPERATURE (WATER)						1812
	3	1	9D-7032	1	SWITCH AS-PRESSURE (FUEL)						
I	4	1	2V-5956	1	HOSE AS						
	5	1	030-7947	3	ADAPTER-ELBOW						
	6	1	3J-1907	4	SEAL-O-RING						
	7	1	7B-1597	1	CLIP						
	8	1	6K-1972	1	ELBOW-FLARED						
	9	1	5P-4653	1	CONNECTOR						
	10	1	2P-1279	1	LOCKNUT (9/16-18-THD)						
	11	1	8N-8514	1	BRACKET						
	12	1	0L-1351	5	BOLT (3/8-16X0.875-IN)						
	13	1	5M-2894	9	WASHER-HARD (10.2X18.5X2.5-MM THK)						
	14	1	5N-7782	1	TUBE AS						
	15	1	8N-8506	1	BRACKET						
	16	1	0S-1588	1	BOLT (3/8-16X1.25-IN)						
	17	1	0S-1594	1	BOLT (3/8-16X1-IN)						
	19	1	3B-1915	1	BOLT (3/8-16X1.375-IN)						
	20	1	9S-8752	1	NUT-FULL (3/8-16-THD)						
	21	1	2W-0632	1	TUBE AS						
	22	1	2R-6806	1	CONNECTOR						
	23	1	2W-0636	1	TUBE AS						
	24	1	032-1268	1	CONNECTOR (90-DEG)						
	26	1	2W-7703	3	BRACKET						
	27	1	2W-7704	3	CLAMP						
	28	1	4F-7957	3	BOLT (1/4-20X0.875-IN)						
	29	1	5P-0537	3	WASHER-HARD (7.2X14.5X2-MM THK)						
	30	1	2W-0634	1	TUBE AS						
	32	1	2W-0635	1	TUBE AS						
	33	1	6K-9194	2	ELBOW						
	34	1	030-7946	1	ELBOW						
	35	1	3J-7354	1	SEAL-O-RING						
	36	1	8S-8159	1	SEAL						
D	37	1	5P-6025		LOCKWIRE (.3M)						

D - ORDER BY THE METER

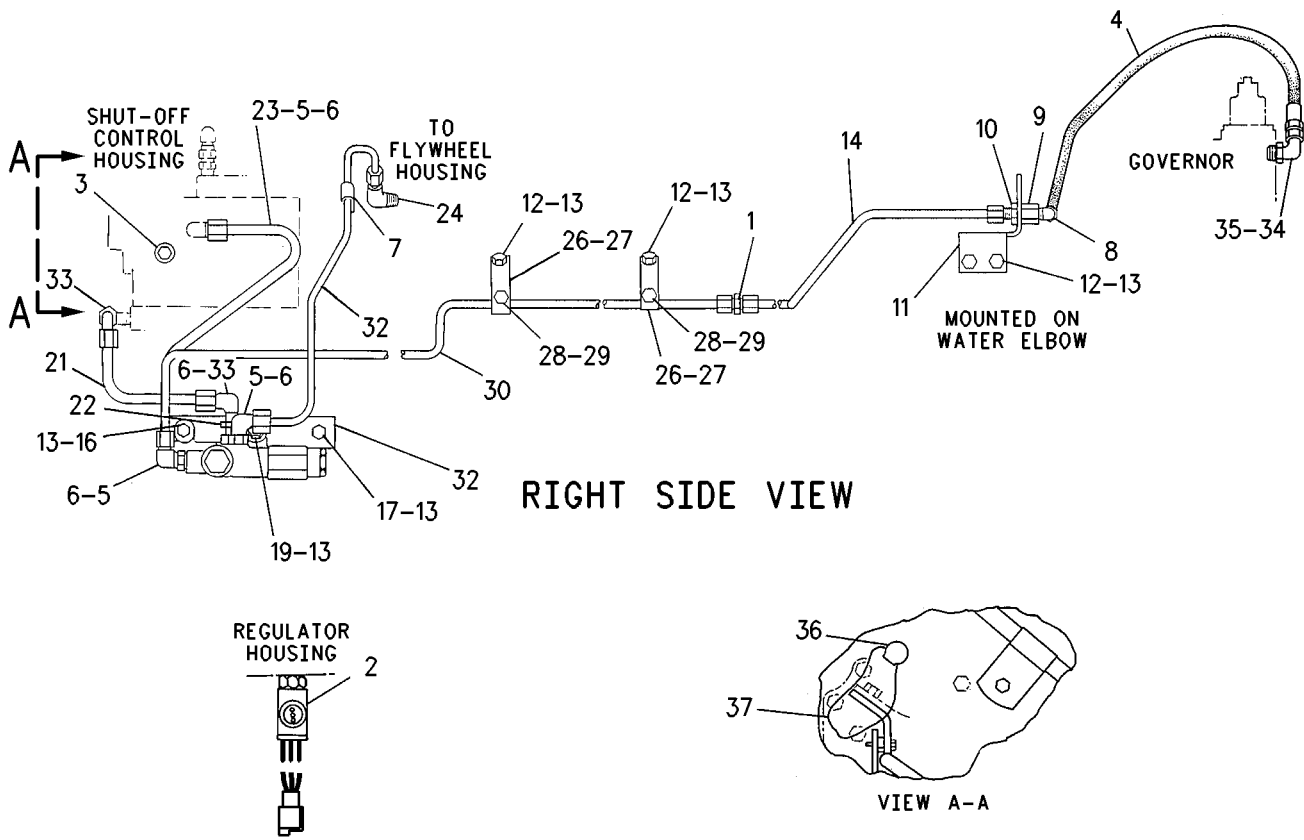
I - REFER TO HYDRAULIC INFORMATION SYSTEM

Y - SEPARATE ILLUSTRATION

FUEL SYSTEM

2W-4927 LINES GP-DIVERter VALVE (contd.)

i02646852



RIGHT SIDE VIEW

VIEW A-A

GRAPHIC #1

<END>

g00713300

FUEL SYSTEM

5N-2438 LINES GP-FLEXIBLE FUEL AN ATTACHMENT

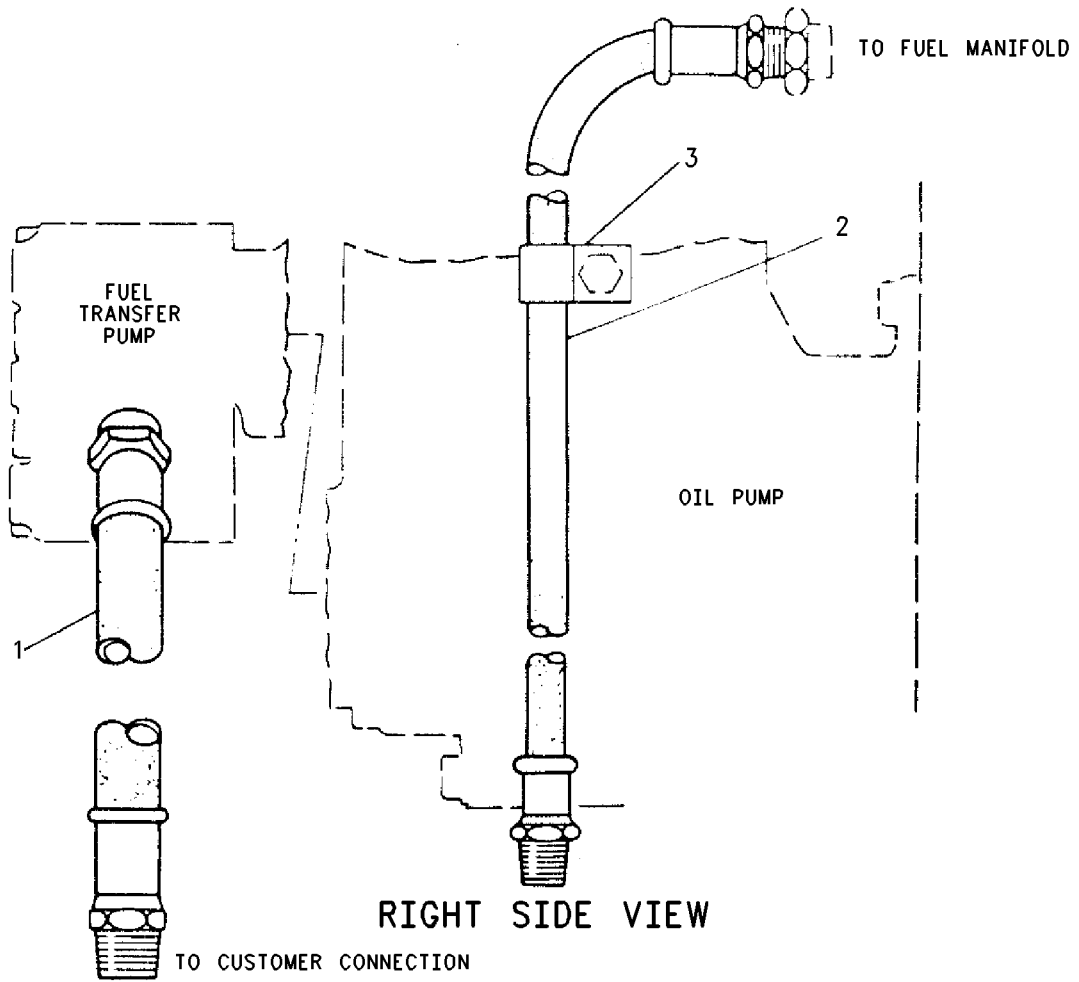
SMCS-1274

i01979418

NOTE	REF NO	GRAPHIC REF	PART NUMBER	QTY	PART NAME						SEE PAGE
					1	2	3	4	5	6 (PRODUCT LEVEL)	
I	1	1	3N-6504	1	HOSE AS						
I	2	1	8N-1186	1	HOSE AS						
B	3	1	5F-5990	2	CLIP						

B - USE AS REQUIRED

I - REFER TO HYDRAULIC INFORMATION SYSTEM



GRAPHIC #1

<END>

g00995187

FUEL SYSTEM

101-1247 LINES GP-FUEL INJECTION

S/N: 50Y647-1304

PART OF 376-4849 ENGINE AR-COMplete

SMCS-1252, 1254

i05205972

NOTE	REF NO	GRAPHIC REF	PART NUMBER	QTY	PART NAME						SEE PAGE
					1	2	3	4	5	6 (PRODUCT LEVEL)	
I	1	1	2V-8571	1	HOSE AS						
	2	1,2	4P-0692	18	CLAMP AS						
					(EACH INCLUDES)						
		1,2	108-1434	1	GROMMET						
	3	2	4P-0693	4	CLAMP AS						
					(EACH INCLUDES)						
		2	108-1434	2	GROMMET						
	4	2	6B-6205	2	SPACER (0.438X0.875X1.281-IN THK)						
	5	2	6V-4363	1	ELBOW						
	6	2	7C-7677	12	TUBE AS						
	7	2	7C-7678	12	TUBE AS						
	8	1	7C-7682	1	ADAPTER-FUEL MANIFOLD (RH)						
	9	2	7C-7683	1	ADAPTER-FUEL MANIFOLD (LH)						
	10	1	7E-3921	1	VALVE-CHECK						
	11	2	7W-2122	24	CONNECTOR-PORT						
	12	2	8N-6210	1	BRACKET-LINE SUPPORT						
	13	1	8N-6211	1	PLATE-LINE SUPPORT						
	14	1	8N-6327	1	TUBE AS						
	15	1	9N-4053	1	SPRING						
	16	1	9X-6772	1	STRAP-CABLE						
	17	1	030-7977	1	ELBOW						
	18	1	111-3388	1	TUBE AS						
	19	1	111-3389	1	TUBE AS						
	20	1	114-5477	1	PLUNGER-VALVE						
CY	21	2	156-9753	1	MANIFOLD GP-FUEL						1206
CY	22	2	156-9754	1	MANIFOLD GP-FUEL						1207
	23	1	174-7088	1	HOSE AS						
	24	1	237-2712	1	TUBE AS						
	25	2	237-2713	1	TUBE AS						
	26	1	238-5080	1	SEAL-O-RING						
	27	1	250-1496	1	ELBOW						
	28	1	386-6229	2	ELBOW AS						
					(EACH INCLUDES)						
		1	238-5081	1	SEAL-O-RING						
		1	250-1497	1	ELBOW						
	29	1	030-7972	1	ELBOW						
	30	1	030-7982	1	UNION-FLARED						
	31	1	0L-2070	5	BOLT (3/8-16X2.25-IN)						
	32	1	0S-0509	1	BOLT (3/8-16X0.75-IN)						
	33	1	0S-1590	1	BOLT (3/8-16X2-IN)						
	34	1	0S-1594	1	BOLT (3/8-16X1-IN)						
	35	2	0T-0055	1	BOLT (3/8-16X4.25-IN)						
	36	1,2	0T-0065	3	BOLT (3/8-16X3.5-IN)						
	37	2	1D-4539	1	BOLT (5/16-18X2.5-IN)						
	38	2	1D-4541	1	BOLT (5/16-18X3-IN)						
	39	2	250-1499	1	TEE						
	40	1	2P-7636	1	CONNECTOR (3/4-16 STR-THD)						
	41	1,2	5M-2894	12	WASHER-HARD (10.2X18.5X2.5-MM THK)						

FUEL SYSTEM

101-1247 **LINES GP-FUEL INJECTION** (contd.)

i05205972

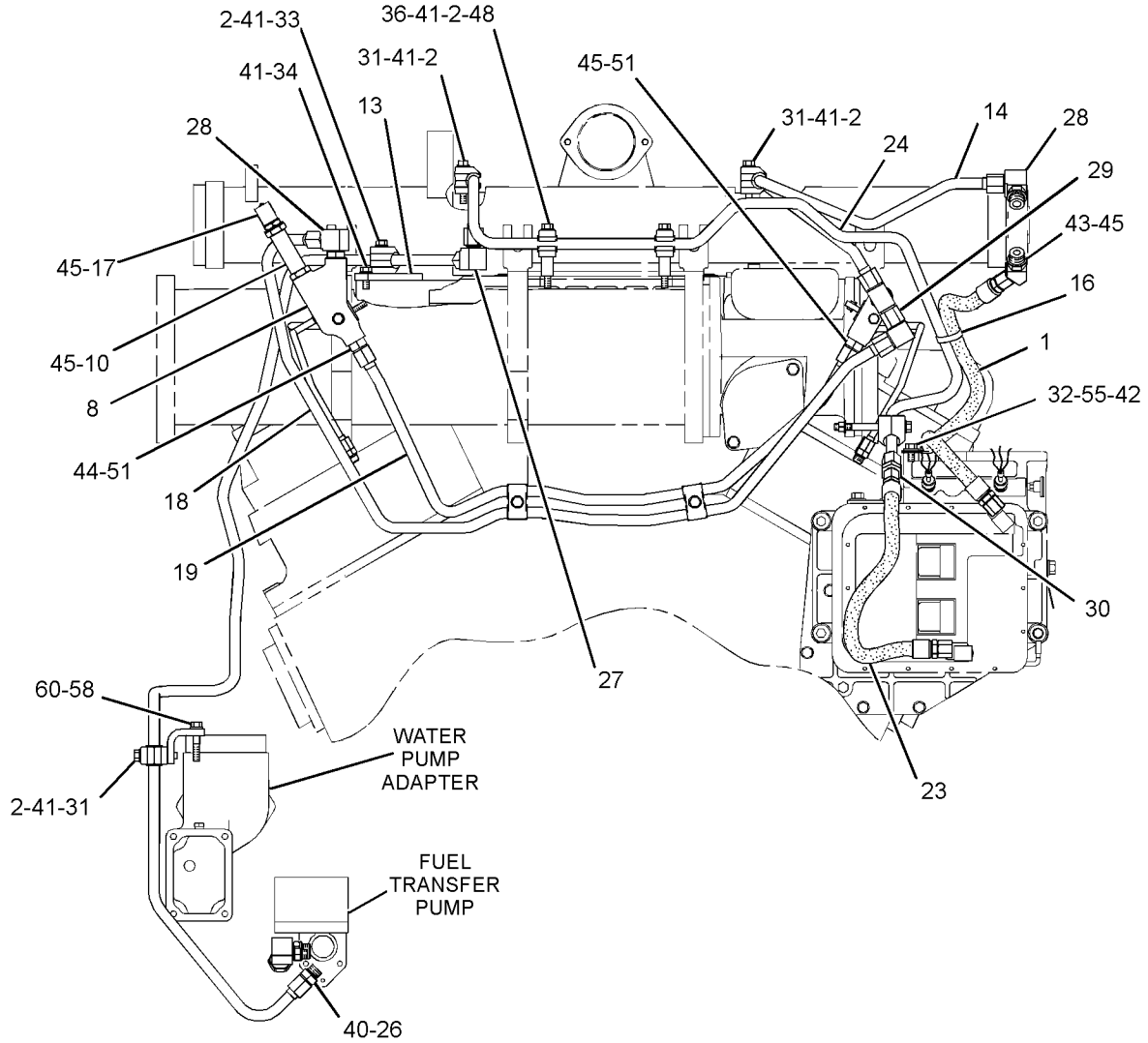
NOTE	REF NO	GRAPHIC REF	PART NUMBER	QTY	PART NAME						SEE PAGE
					1	2	3	4	5	6 (PRODUCT LEVEL)	
	42	1	5P-4295	1	CLIP						
	43	1	5P-4318	1	ELBOW						
C	44	1	5S-0003	1	NUT (5/16-18-THD)						
	45	1,2	238-5081	7	SEAL-O-RING						
	46	2	214-7566	1	SEAL-O-RING						
	47	2	214-7568	25	SEAL-O-RING						
	48	1	7K-3377	2	PIPE						
	49	2	7N-6806	4	SEAL-RECTANGULAR						
C	50	1,2	9M-1974	3	WASHER-HARD (8.8X16X2-MM THK)						
	51	1	9M-4584	2	CONNECTOR						
	52	2	9S-4182	1	PLUG (7/16-20-THD)						
	53	2	9S-4191	1	PLUG (9/16-18-THD)						
	54	2	9S-8752	1	NUT-FULL (3/8-16-THD)						
	55	1	9X-6458	1	WASHER-HARD (10.2X22.5X3-MM THK)						
B	58	1	0S-1590	2	BOLT (3/8-16X2-IN)						
B	59	2	0T-0065	1	BOLT (3/8-16X3.5-IN)						
B	60	1,2	5M-2894	3	WASHER-HARD (10.2X18.5X2.5-MM THK)						

B - USE AS REQUIRED
 C - CHANGE FROM PREVIOUS TYPE
 I - REFER TO HYDRAULIC INFORMATION SYSTEM
 Y - SEPARATE ILLUSTRATION

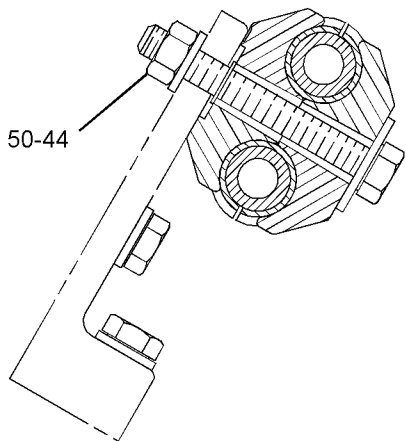
FUEL SYSTEM

101-1247 LINES GP-FUEL INJECTION (contd.)

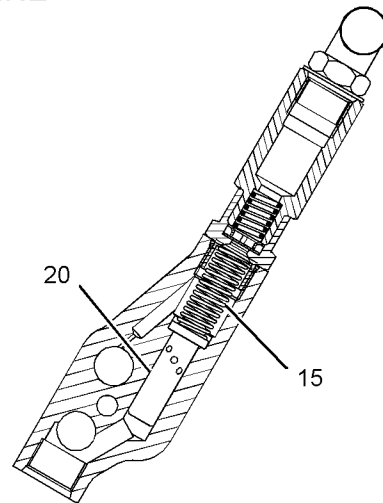
i05205972



FRONT VIEW OF ENGINE



SECTION B-B



SECTION A-A

GRAPHIC #1

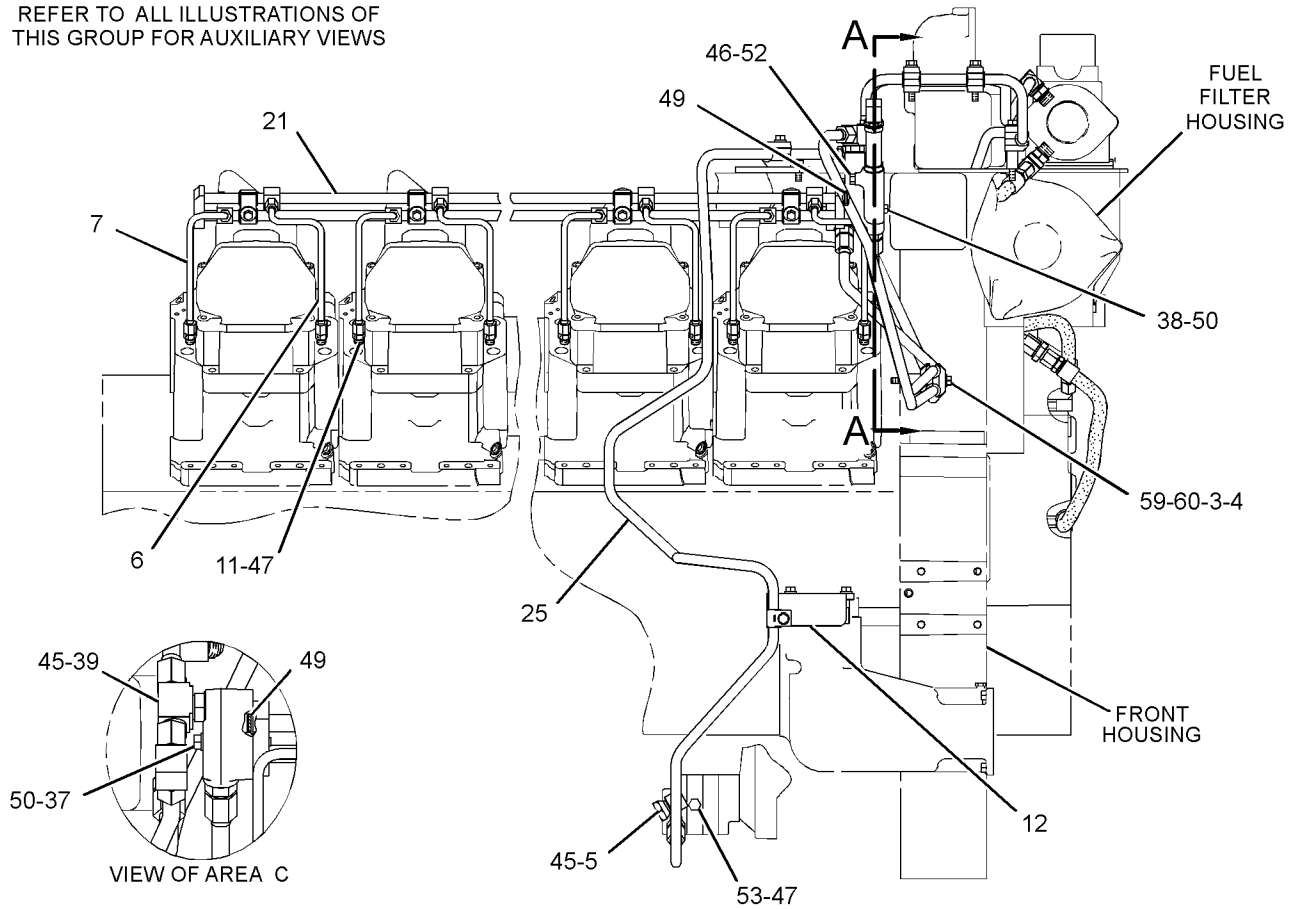
g01367532

FUEL SYSTEM

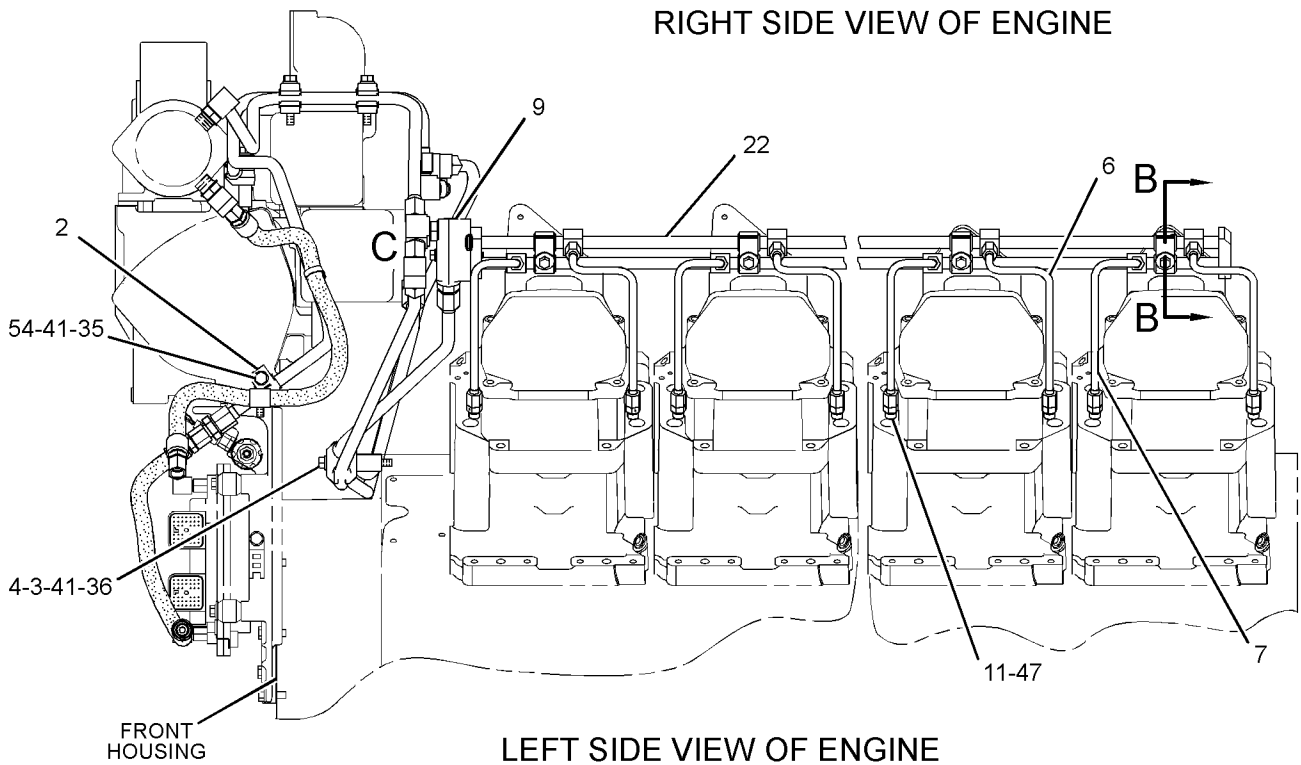
101-1247 LINES GP-FUEL INJECTION (contd.)

105205972

REFER TO ALL ILLUSTRATIONS OF THIS GROUP FOR AUXILIARY VIEWS



RIGHT SIDE VIEW OF ENGINE



LEFT SIDE VIEW OF ENGINE

GRAPHIC #2

<END>

g01367533

FUEL SYSTEM

234-8723 LINES GP-FUEL INJECTION

S/N: 50Y647-1304

PART OF 357-0858 ENGINE AR-COMplete

SMCS-1252, 1254

i06660784

NOTE	REF NO	GRAPHIC REF	PART NUMBER	QTY	PART NAME 1 2 3 4 5 6 (PRODUCT LEVEL)	SEE PAGE
	1	1,2	4P-0692	16	CLAMP AS	
					(EACH INCLUDES)	
		1,2	108-1434	1	GROMMET	
	2	1	4P-0693	4	CLAMP AS	
					(EACH INCLUDES)	
		1	108-1434	2	GROMMET	
	3	1	6B-6205	2	SPACER (0.438X0.875X1.281-IN THK)	
	4	1	6V-4363	1	ELBOW	
	5	1	7C-7677	12	TUBE AS	
	6	1	7C-7678	12	TUBE AS	
	7	2	7C-7682	1	ADAPTER-FUEL MANIFOLD (RH)	
	8	1	7C-7683	1	ADAPTER-FUEL MANIFOLD (LH)	
	9	2	7E-3921	1	VALVE-CHECK	
	10	1	7W-2122	24	CONNECTOR-PORT	
	11	1	8N-6210	1	BRACKET-LINE SUPPORT	
	12	2	8N-6211	1	PLATE-LINE SUPPORT	
	13	2	8N-6326	1	TUBE AS	
	14	2	8N-6327	1	TUBE AS	
	15	2	9N-4053	1	SPRING	
	16	2	030-7977	1	ELBOW	
	17	2	111-3388	1	TUBE AS	
	18	2	111-3389	1	TUBE AS	
	19	2	114-5477	1	PLUNGER-VALVE	
Y	20	1	156-9753	1	MANIFOLD GP-FUEL	1206
Y	21	1	156-9754	1	MANIFOLD GP-FUEL	1207
	22	1	210-2535	1	TUBE AS	
	23	2	386-6229	3	ELBOW AS	
					(EACH INCLUDES)	
		2	238-5081	1	SEAL-O-RING	
		2	250-1497	1	ELBOW	
	24	2	030-7972	1	ELBOW	
	25	1,2	0L-2070	5	BOLT (3/8-16X2.25-IN)	
	26	2	0S-1590	1	BOLT (3/8-16X2-IN)	
	27	2	0S-1594	1	BOLT (3/8-16X1-IN)	
	28	1,2	0T-0065	3	BOLT (3/8-16X3.5-IN)	
	29	1	1D-4539	1	BOLT (5/16-18X2.5-IN)	
	30	1	1D-4541	1	BOLT (5/16-18X3-IN)	
	31	1,2	238-5081	6	SEAL-O-RING	
	32	1	250-1499	1	TEE	
	33	2	2P-7636	1	CONNECTOR (3/4-16 STR-THD)	
	34	1	214-7568	25	SEAL-O-RING	
	35	1	214-7566	1	SEAL-O-RING	
	36	2	238-5080	1	SEAL-O-RING	
	37	1,2	5M-2894	10	WASHER-HARD (10.2X18.5X2.5-MM THK)	
	38	2	250-1496	1	ELBOW	
	39	2	5S-0003	1	NUT (5/16-18-THD)	
	40	2	7K-3377	2	PIPE	
	41	1	7N-6806	4	SEAL-RECTANGULAR	

FUEL SYSTEM

234-8723 **LINES GP-FUEL INJECTION** (contd.)

i06660784

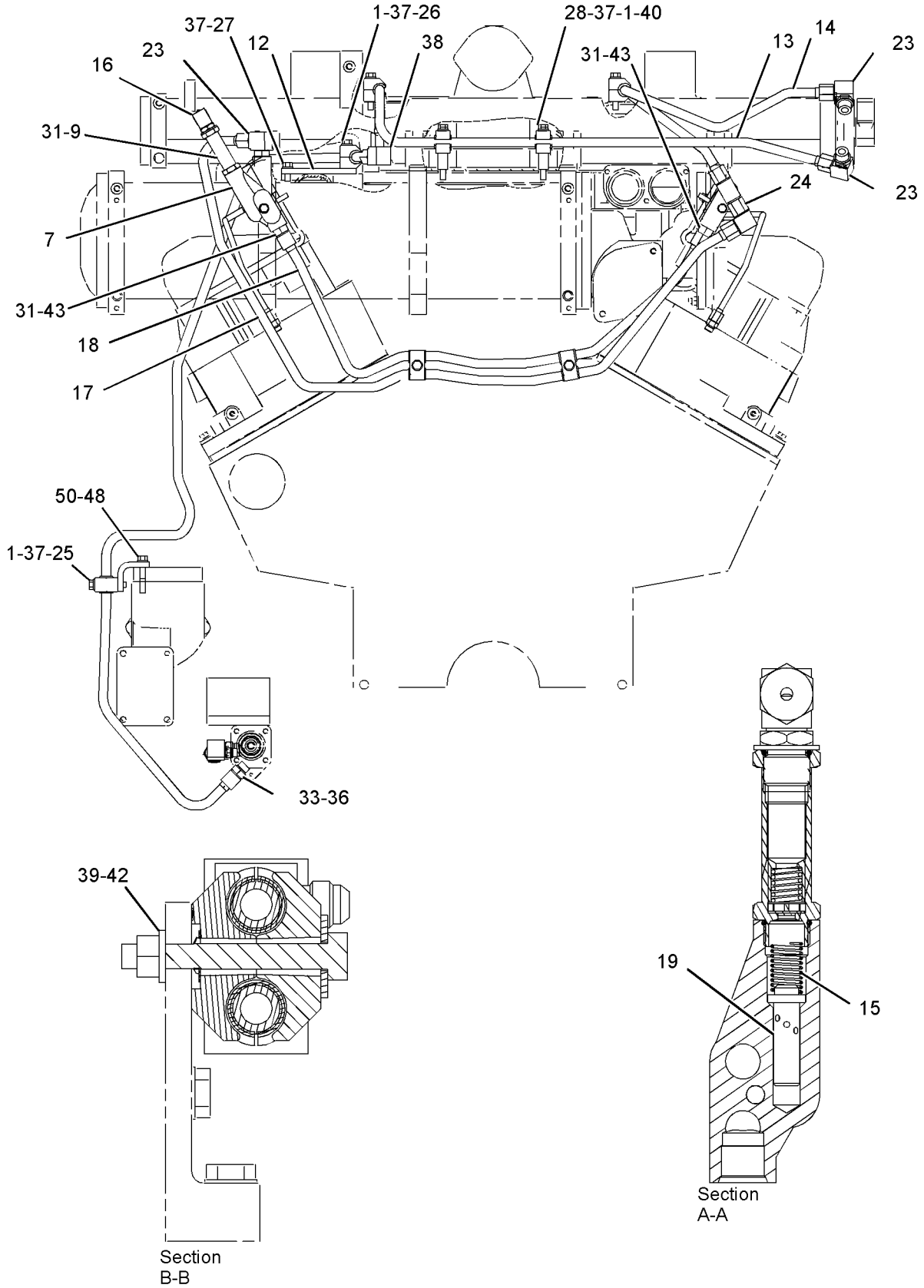
NOTE	REF NO	GRAPHIC REF	PART NUMBER	QTY	PART NAME						SEE PAGE
					1	2	3	4	5	6 (PRODUCT LEVEL)	
	42	1,2	9M-1974	3	WASHER-HARD (8.8X16X2-MM THK)						
	43	2	9M-4584	2	CONNECTOR						
	44	1	9S-4182	1	PLUG (7/16-20-THD)						
	45	1	9S-4191	1	PLUG (9/16-18-THD)						
B	48	2	0L-2070	2	BOLT (3/8-16X2.25-IN)						
B	49	1	0T-0065	1	BOLT (3/8-16X3.5-IN)						
B	50	1,2	5M-2894	3	WASHER-HARD (10.2X18.5X2.5-MM THK)						

B - USE AS REQUIRED
Y - SEPARATE ILLUSTRATION

FUEL SYSTEM

234-8723 LINES GP-FUEL INJECTION (contd.)

i06660784



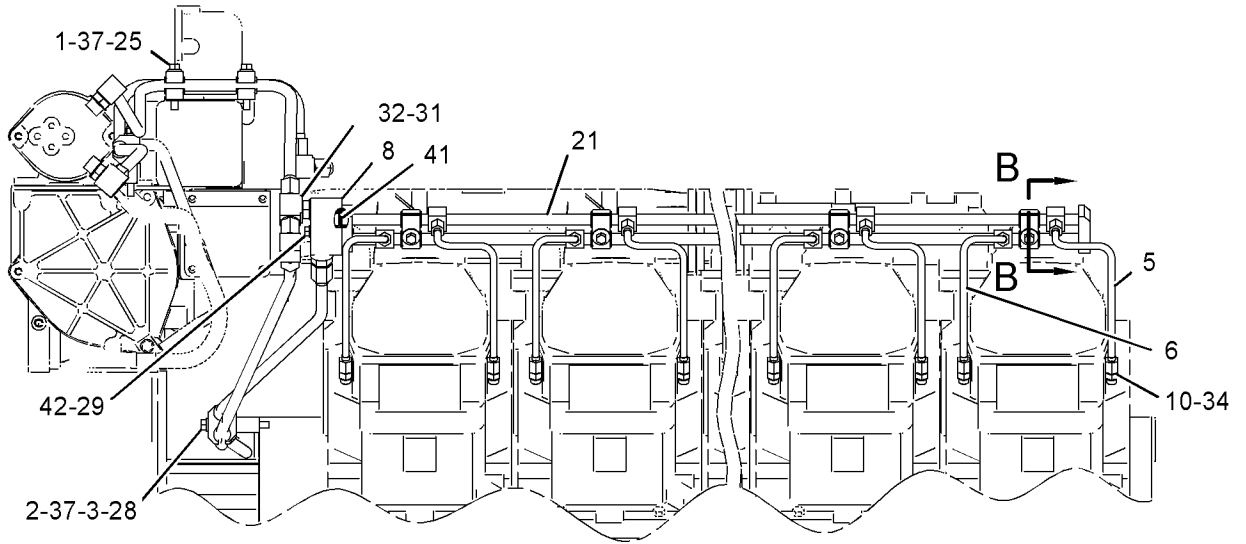
GRAPHIC #1

g06063783

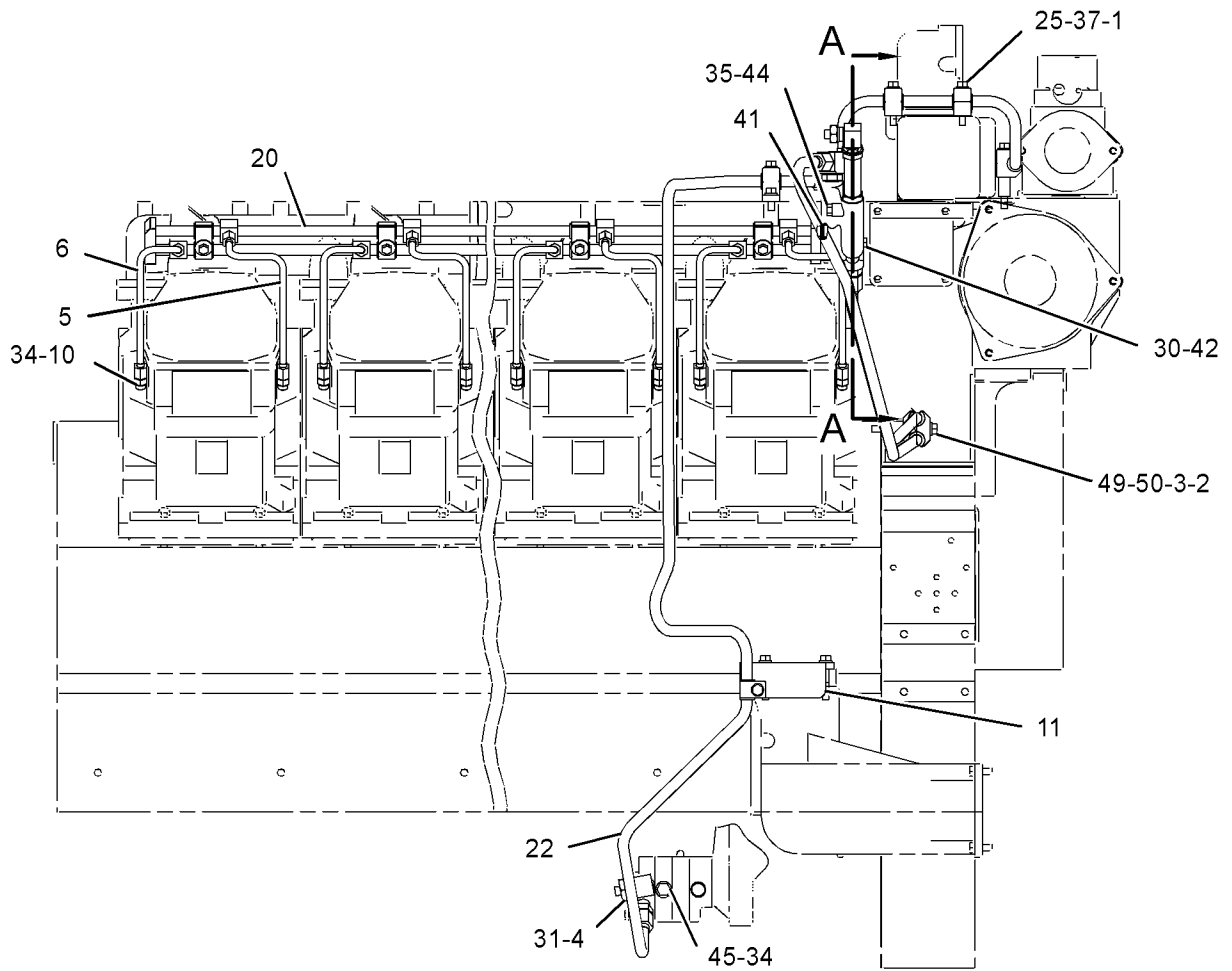
FUEL SYSTEM

234-8723 LINES GP-FUEL INJECTION (contd.)

106660784



LEFT SIDE VIEW



RIGHT SIDE VIEW

GRAPHIC #2

<END>

g01373345

FUEL SYSTEM

7W-9745 LINES GP-FUEL INJECTION

S/N: 50Y647-733; 66Z190-255

SMCS-1252, 1254

i00938487

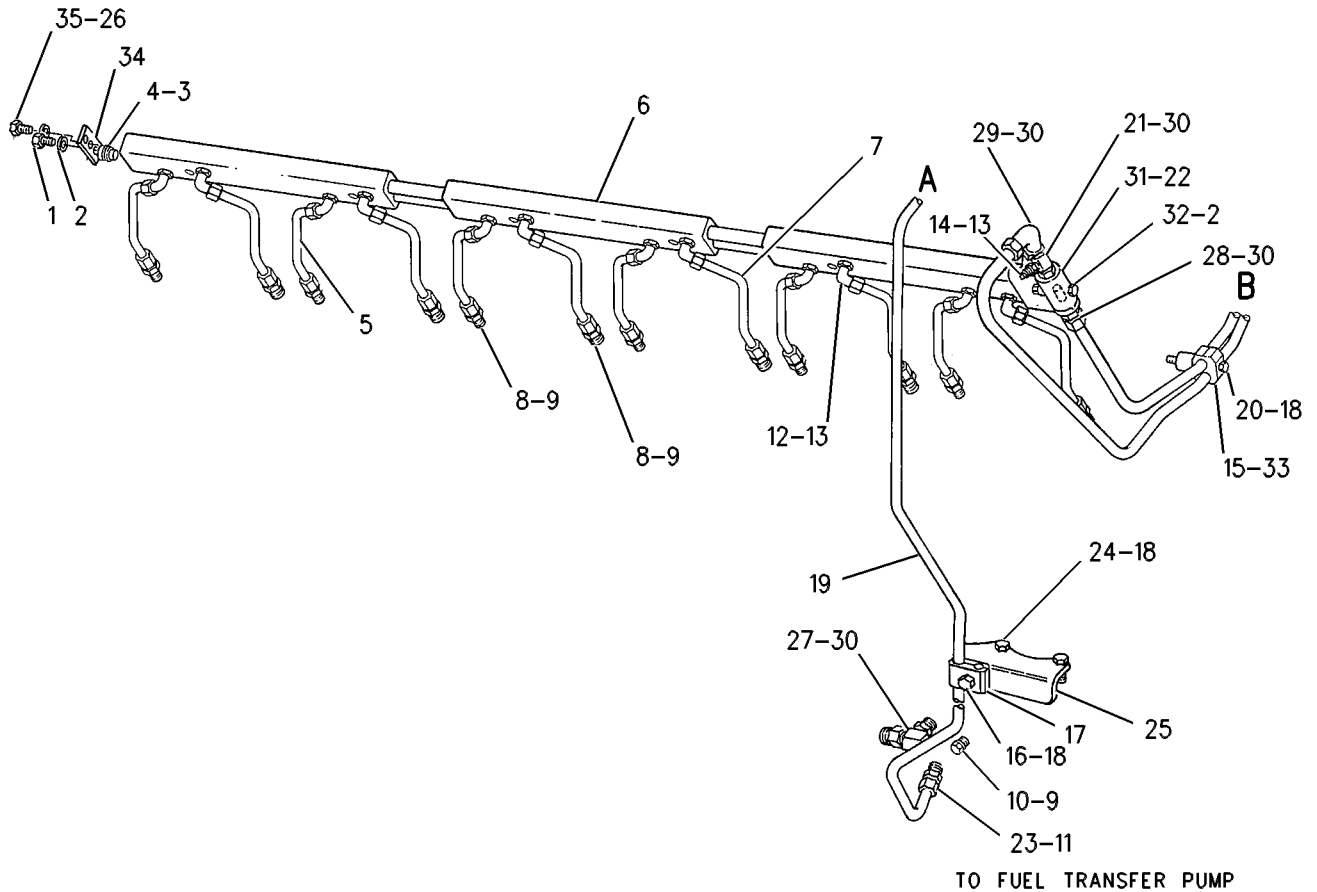
NOTE	REF NO	GRAPHIC REF	PART NUMBER	QTY	PART NAME						SEE PAGE
					1	2	3	4	5	6 (PRODUCT LEVEL)	
	1	1	2B-2695	2	BOLT (5/16-18X0.875-IN)						
	2	1	9M-1974	3	WASHER-HARD (8.8X16X2-MM THK)						
	3	1	8N-3529	4	PLUG-FUEL MANIFOLD						
	4	1	2M-4453	4	SEAL-O-RING						
	5	1	7W-2480	12	TUBE AS						
	6	1	8N-8788	6	MANIFOLD-FUEL						
	7	1	8N-8786	12	TUBE AS						
	8	1	7W-2122	24	CONNECTOR-PORT						
	9	1	3J-1907	25	SEAL-O-RING						
	10	1	9S-4191	1	PLUG (9/16-18-THD)						
	11	1	3K-0360	1	SEAL-O-RING						
	12	1	5P-2645	24	ELBOW						
	13	1	3J-7354	25	SEAL-O-RING						
	14	1	9S-4182	1	PLUG (7/16-20-THD)						
	15	1	8N-2755	2	CLAMP						
	16	1	0L-2070	1	BOLT (3/8-16X2.25-IN)						
	17	1	1N-4734	2	CLAMP						
	18	1	5M-2894	4	WASHER-HARD (10.2X18.5X2.5-MM THK)						
	19	1	1N-4639	1	TUBE AS						
	20	1	0T-0065	1	BOLT (3/8-16X3.5-IN)						
	21	1	1W-7534	1	ELBOW						
	22	1	1W-7535	1	PLUNGER-VALVE						
		1	9N-4053	1	SPRING						
	23	1	2P-7636	1	CONNECTOR (3/4-16 STR-THD)						
	24	1	0S-1590	2	BOLT (3/8-16X2-IN)						
	25	1	8N-6210	1	BRACKET-LINE SUPPORT						
	26	1	5P-0537	4	WASHER-HARD (7.2X14.5X2-MM THK)						
	27	1	6V-4363	1	ELBOW						
	28	1	9M-4584	1	CONNECTOR						
	29	1	030-7949	1	ELBOW						
	30	1	2M-9780	4	SEAL-O-RING						
	31	1	1W-7533	1	ADAPTER-MANIFOLD						
	32	1	4B-0831	1	BOLT (5/16-18X3.75-IN)						
	33	1	6B-6205	1	SPACER (0.438X0.875X1.281-IN THK)						
	34	1	1W-4499	2	PLATE						
	35	1	0S-1614	4	BOLT (1/4-20X0.5-IN)						
	36	2	1W-2565	8	CONNECTOR						
	37	2	2M-4453	24	SEAL-O-RING						
	38	2	1W-2566	4	CONNECTOR						
	39	2	1N-4734	14	CLAMP						
	40	2	0L-2070	5	BOLT (3/8-16X2.25-IN)						
	41	2	5M-2894	11	WASHER-HARD (10.2X18.5X2.5-MM THK)						
	42	2	8N-6327	1	TUBE AS						
	43	2	030-7949	2	ELBOW						
	44	2	2M-9780	4	SEAL-O-RING						
	45	2	8N-6326	1	TUBE AS						
	46	2	2P-1296	1	TEE						
	47	2	8N-3928	1	ADAPTER-MANIFOLD						

FUEL SYSTEM

7W-9745 **LINES GP-FUEL INJECTION** (contd.)

i00938487

NOTE	REF NO	GRAPHIC REF	PART NUMBER	QTY	PART NAME						SEE PAGE
					1	2	3	4	5	6 (PRODUCT LEVEL)	
		2	1D-4539	1	BOLT (5/16-18X2.5-IN)						
48		2	9M-1974	1	WASHER-HARD (8.8X16X2-MM THK)						
49		2	7P-8672	1	PLATE						
50		2	0T-0065	3	BOLT (3/8-16X3.5-IN)						
51		2	9M-4584	1	CONNECTOR						
52		2	7K-3377	3	PIPE						
53		2	8N-2755	2	CLAMP						
54		2	1W-7537	1	TUBE AS						
55		2	8N-8293	1	TUBE AS						
56		2	1D-4717	1	NUT (3/8-16-THD)						
57		2	0S-1594	2	BOLT (3/8-16X1-IN)						
58		2	5P-4900	1	ELBOW-FLARED						
59		2	8N-6211	1	PLATE-LINE SUPPORT						



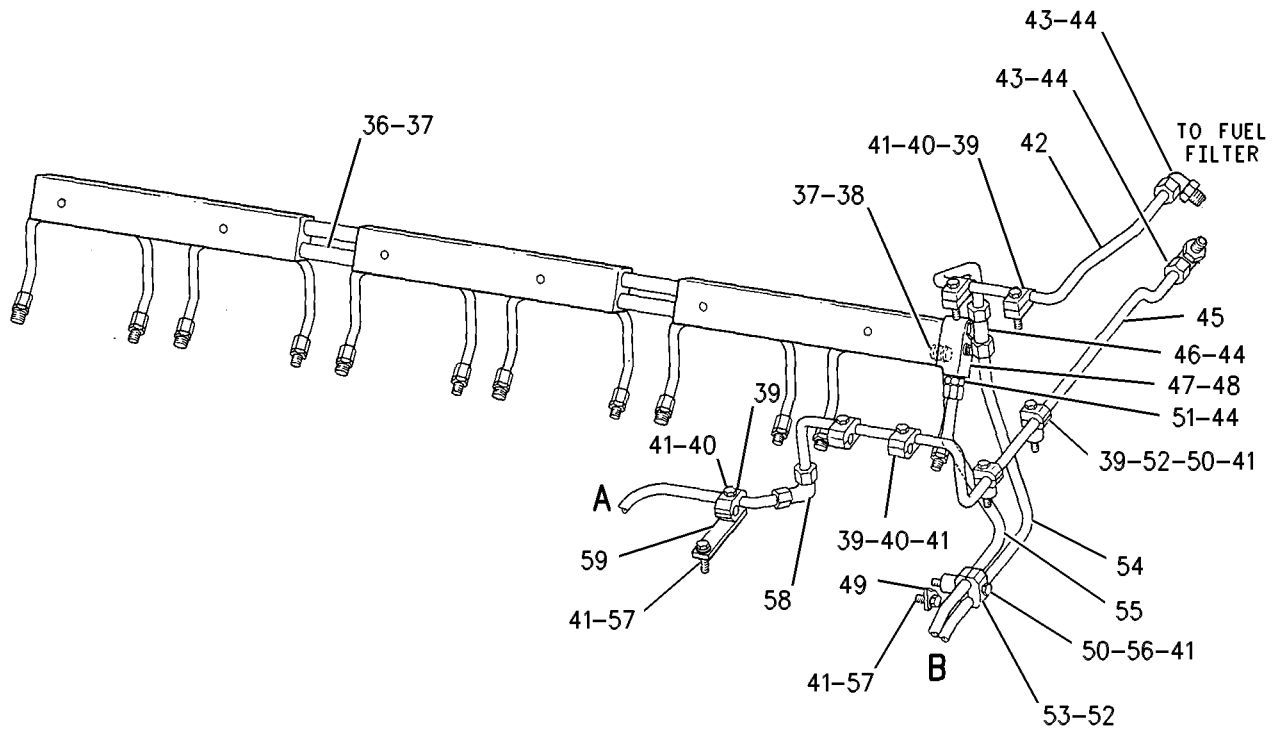
GRAPHIC #1

g00478078

FUEL SYSTEM

7W-9745 LINES GP-FUEL INJECTION (contd.)

i00938487



GRAPHIC #2

<END>

g00478079

FUEL SYSTEM

7W-9745 LINES GP-FUEL INJECTION

S/N: 50Y734-796; 66Z256-320

SMCS-1252, 1254

i00938496

NOTE	REF NO	GRAPHIC REF	PART NUMBER	QTY	PART NAME						SEE PAGE
					1	2	3	4	5	6 (PRODUCT LEVEL)	
	1	1	2B-2695	2	BOLT (5/16-18X0.875-IN)						
	2	1	9M-1974	3	WASHER-HARD (8.8X16X2-MM THK)						
	3	1	8N-3529	4	PLUG-FUEL MANIFOLD						
	4	1	2M-4453	4	SEAL-O-RING						
	5	1	7W-2480	12	TUBE AS						
	6	1	8N-8788	6	MANIFOLD-FUEL						
	7	1	8N-8786	12	TUBE AS						
	8	1	7W-2122	24	CONNECTOR-PORT						
	9	1	3J-1907	25	SEAL-O-RING						
	10	1	9S-4191	1	PLUG (9/16-18-THD)						
	11	1	3K-0360	1	SEAL-O-RING						
	12	1	5P-2645	24	ELBOW						
	13	1	3J-7354	25	SEAL-O-RING						
	14	1	9S-4182	1	PLUG (7/16-20-THD)						
	15	1	8N-2755	2	CLAMP						
	16	1	0L-2070	1	BOLT (3/8-16X2.25-IN)						
C	17	1	7C-2199	2	CLAMP						
		1	7C-3036	1	GROMMET						
	18	1	5M-2894	4	WASHER-HARD (10.2X18.5X2.5-MM THK)						
	19	1	1N-4639	1	TUBE AS						
	20	1	0T-0065	1	BOLT (3/8-16X3.5-IN)						
	21	1	1W-7534	1	ELBOW						
	22	1	1W-7535	1	PLUNGER-VALVE						
		1	9N-4053	1	SPRING						
	23	1	2P-7636	1	CONNECTOR (3/4-16 STR-THD)						
	24	1	0S-1590	2	BOLT (3/8-16X2-IN)						
	25	1	8N-6210	1	BRACKET-LINE SUPPORT						
	26	1	5P-0537	4	WASHER-HARD (7.2X14.5X2-MM THK)						
	27	1	6V-4363	1	ELBOW						
	28	1	9M-4584	1	CONNECTOR						
	29	1	030-7949	1	ELBOW						
	30	1	2M-9780	4	SEAL-O-RING						
	31	1	1W-7533	1	ADAPTER-MANIFOLD						
	32	1	4B-0831	1	BOLT (5/16-18X3.75-IN)						
	33	1	6B-6205	1	SPACER (0.438X0.875X1.281-IN THK)						
	34	1	1W-4499	2	PLATE						
	35	1	0S-1614	4	BOLT (1/4-20X0.5-IN)						
	36	2	1W-2565	8	CONNECTOR						
	37	2	2M-4453	24	SEAL-O-RING						
	38	2	1W-2566	4	CONNECTOR						
	39	2	1N-4734	14	CLAMP						
	40	2	0L-2070	5	BOLT (3/8-16X2.25-IN)						
	41	2	5M-2894	11	WASHER-HARD (10.2X18.5X2.5-MM THK)						
	42	2	8N-6327	1	TUBE AS						
	43	2	030-7949	2	ELBOW						
	44	2	2M-9780	4	SEAL-O-RING						
	45	2	8N-6326	1	TUBE AS						
	46	2	2P-1296	1	TEE						

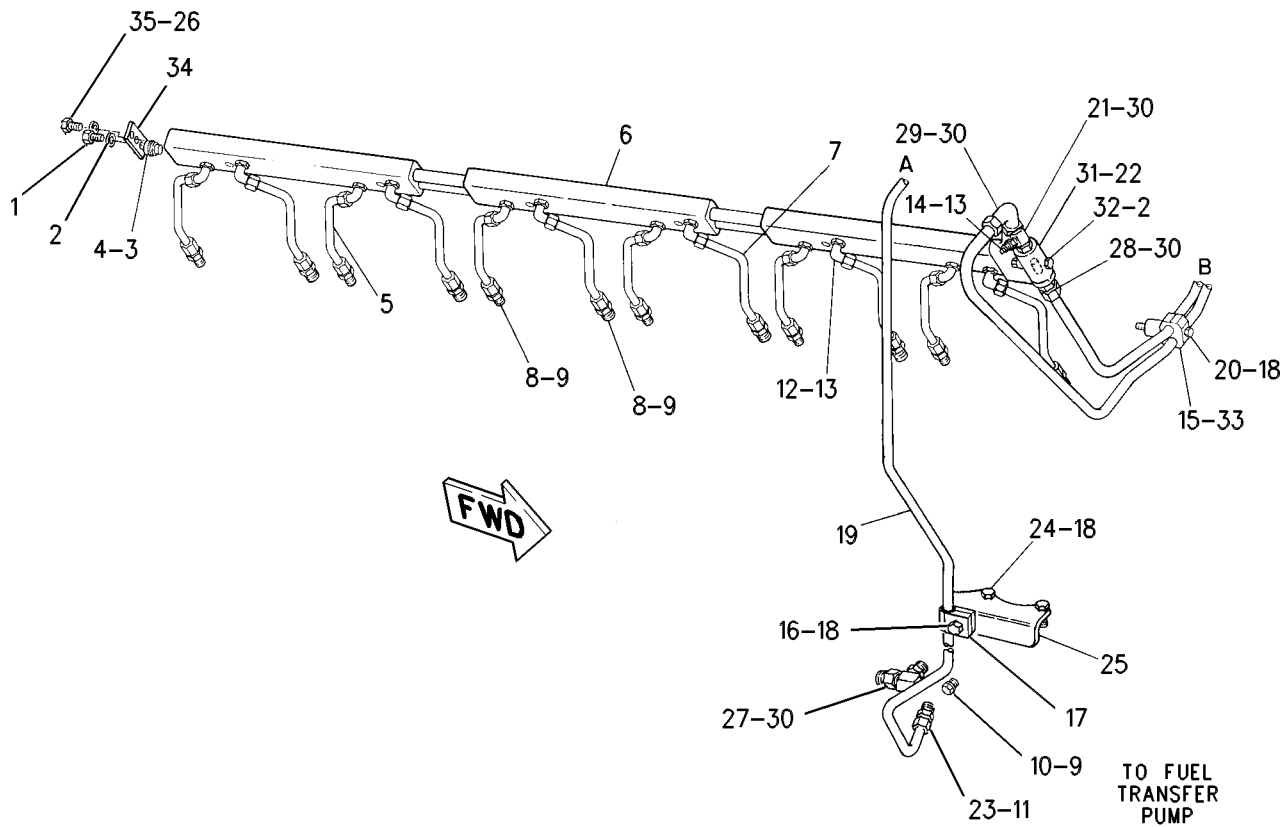
FUEL SYSTEM

7W-9745 **LINES GP-FUEL INJECTION** (contd.)

i00938496

NOTE	REF NO	GRAPHIC REF	PART NUMBER	QTY	PART NAME						SEE PAGE
					1	2	3	4	5	6 (PRODUCT LEVEL)	
	47	2	8N-3928	1	ADAPTER-MANIFOLD						
		2	1D-4539	1	BOLT (5/16-18X2.5-IN)						
	48	2	9M-1974	1	WASHER-HARD (8.8X16X2-MM THK)						
	49	2	7P-8672	1	PLATE						
	50	2	0T-0065	3	BOLT (3/8-16X3.5-IN)						
	51	2	9M-4584	1	CONNECTOR						
	52	2	7K-3377	3	PIPE						
	53	2	8N-2755	2	CLAMP						
	54	2	1W-7537	1	TUBE AS						
	55	2	8N-8293	1	TUBE AS						
	56	2	1D-4717	1	NUT (3/8-16-THD)						
	57	2	0S-1594	2	BOLT (3/8-16X1-IN)						
	58	2	5P-4900	1	ELBOW-FLARED						
	59	2	8N-6211	1	PLATE-LINE SUPPORT						

C - CHANGE FROM PREVIOUS TYPE



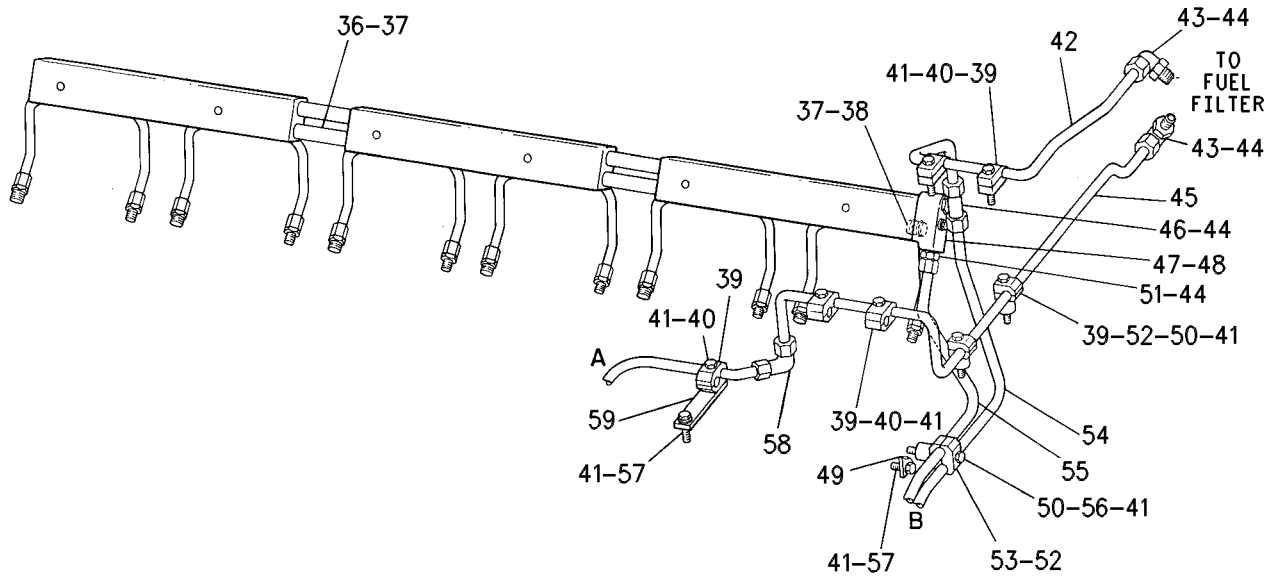
GRAPHIC #1

g00478074

FUEL SYSTEM

7W-9745 LINES GP-FUEL INJECTION (contd.)

i00938496



GRAPHIC #2

<END>

g00478075

FUEL SYSTEM

8N-5793 LINES GP-FUEL INJECTION

S/N: 50Y647; 66Z190-206

SMCS-1252, 1254

i00940911

NOTE	REF NO	GRAPHIC REF	PART NUMBER	QTY	PART NAME						SEE PAGE
					1	2	3	4	5	6 (PRODUCT LEVEL)	
	1	1	2B-2695	2	BOLT (5/16-18X0.875-IN)						
	2	1	9M-1974	3	WASHER-HARD (8.8X16X2-MM THK)						
	3	1	8N-3529	4	PLUG-FUEL MANIFOLD						
	4	1	2M-4453	4	SEAL-O-RING						
C	5	1	7W-2480	12	TUBE AS						
	6	1	8N-8788	6	MANIFOLD-FUEL						
	7	1	8N-8786	12	TUBE AS						
C	8	1	7W-2122	24	CONNECTOR-PORT						
C	9	1	3J-1907	25	SEAL-O-RING						
	10	1	6B-6205	1	SPACER (0.438X0.875X1.281-IN THK)						
C	11	1	3K-0360	1	SEAL-O-RING						
	12	1	5P-2645	24	ELBOW						
	13	1	3J-7354	25	SEAL-O-RING						
	14	1	9S-4182	1	PLUG (7/16-20-THD)						
	15	1	8N-2755	6	CLAMP						
	16	1	0L-2070	3	BOLT (3/8-16X2.25-IN)						
	17	1	1D-4717	2	NUT (3/8-16-THD)						
	18	1	5M-2894	8	WASHER-HARD (10.2X18.5X2.5-MM THK)						
	19	1	1N-4639	1	TUBE AS						
	20	1	1N-4640	1	TUBE AS						
	21	1	1W-7534	1	ELBOW						
	22	1	1W-7535	1	PLUNGER-VALVE						
		1	9N-4053	1	SPRING						
	23	1	2P-7636	1	CONNECTOR (3/4-16 STR-THD)						
	24	1	0S-1590	2	BOLT (3/8-16X2-IN)						
	25	1	8N-6210	1	BRACKET-LINE SUPPORT						
	26	1	5P-0537	4	WASHER-HARD (7.2X14.5X2-MM THK)						
	27	1	6V-4363	1	ELBOW						
	28	1	9M-4584	1	CONNECTOR						
	29	1	030-7949	1	ELBOW						
	30	1	2M-9780	4	SEAL-O-RING						
	31	1	1W-7533	1	ADAPTER-MANIFOLD						
	32	1	4B-0831	1	BOLT (5/16-18X3.75-IN)						
	33	1	6V-4362	1	CONNECTOR						
	34	1	1W-4499	2	PLATE						
	35	1	0S-1614	4	BOLT (1/4-20X0.5-IN)						
	36	2	1W-2565	8	CONNECTOR						
	37	2	2M-4453	24	SEAL-O-RING						
	38	2	1W-2566	4	CONNECTOR						
	39	2	1N-4734	8	CLAMP						
	40	2	0L-2070	5	BOLT (3/8-16X2.25-IN)						
	41	2	5M-2894	11	WASHER-HARD (10.2X18.5X2.5-MM THK)						
	42	2	8N-6327	1	TUBE AS						
	43	2	030-7949	2	ELBOW						
	44	2	2M-9780	4	SEAL-O-RING						
	45	2	8N-6326	1	TUBE AS						
	46	2	2P-1296	1	TEE						
	47	2	8N-3928	1	ADAPTER-MANIFOLD						

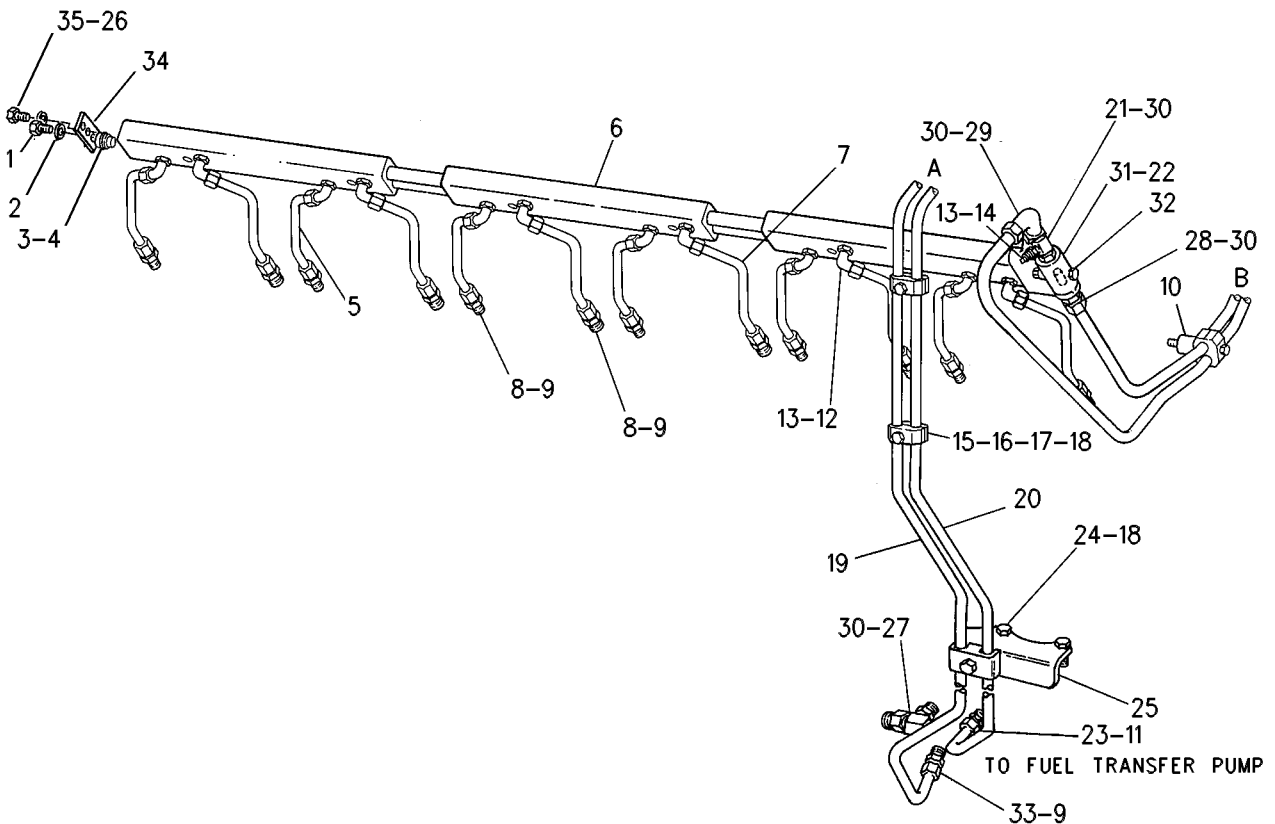
FUEL SYSTEM

8N-5793 LINES GP-FUEL INJECTION (contd.)

i00940911

NOTE	REF NO	GRAPHIC REF	PART NUMBER	QTY	PART NAME						SEE PAGE
					1	2	3	4	5	6 (PRODUCT LEVEL)	
		2	1D-4539	1	BOLT (5/16-18X2.5-IN)						
	48	2	9M-1974	1	WASHER-HARD (8.8X16X2-MM THK)						
C	49	2	7K-3377	3	PIPE						
	50	2	0T-0065	4	BOLT (3/8-16X3.5-IN)						
	51	2	9M-4584	1	CONNECTOR						
	52	2	1P-7625	1	ELBOW						
		2	3K-0360	1	SEAL-O-RING						
	53	2	8N-2755	10	CLAMP						
	54	2	1W-7537	1	TUBE AS						
	55	2	8N-8293	1	TUBE AS						
	56	2	1D-4717	1	NUT (3/8-16-THD)						
	57	2	0S-1594	2	BOLT (3/8-16X1-IN)						
	58	2	5P-4900	2	ELBOW-FLARED						
	59	2	8N-6211	1	PLATE-LINE SUPPORT						
	60	2	8N-6325	1	TUBE AS						
	61	2	7P-8672	1	PLATE						

C - CHANGE FROM PREVIOUS TYPE



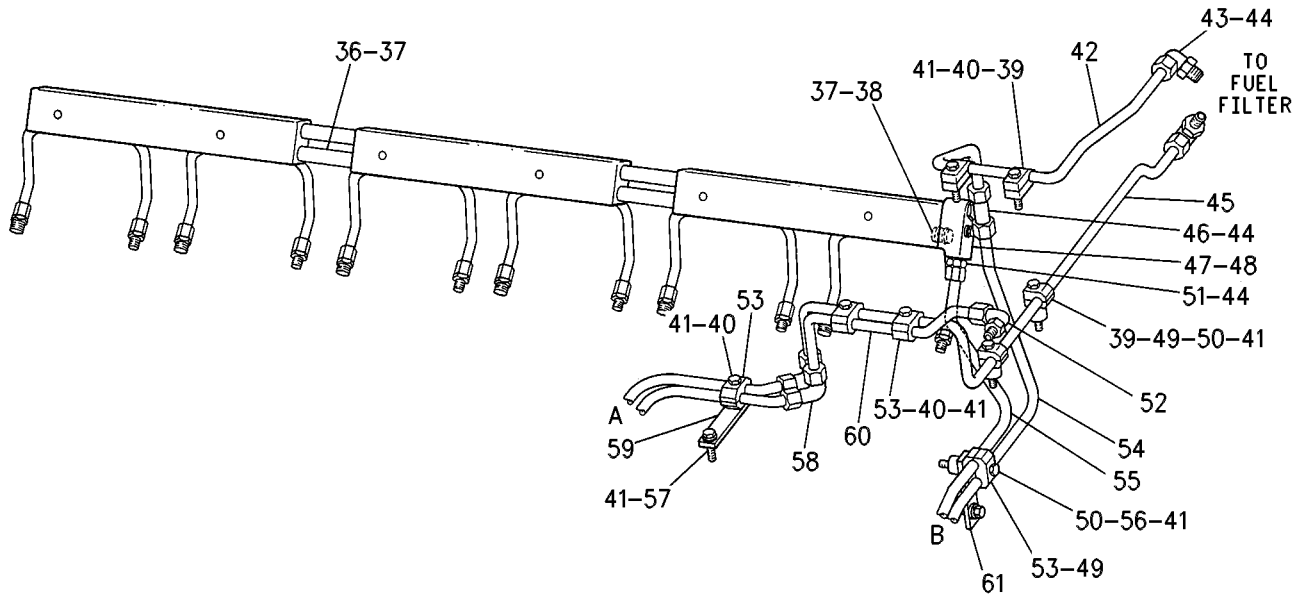
GRAPHIC #1

g00484919

FUEL SYSTEM

8N-5793 LINES GP-FUEL INJECTION (contd.)

i00940911



GRAPHIC #2

<END>

g00484940

FUEL SYSTEM

9Y-6576 LINES GP-FUEL INJECTION

S/N: 50Y797-951; 66Z321-435

SMCS-1252, 1254

i00933296

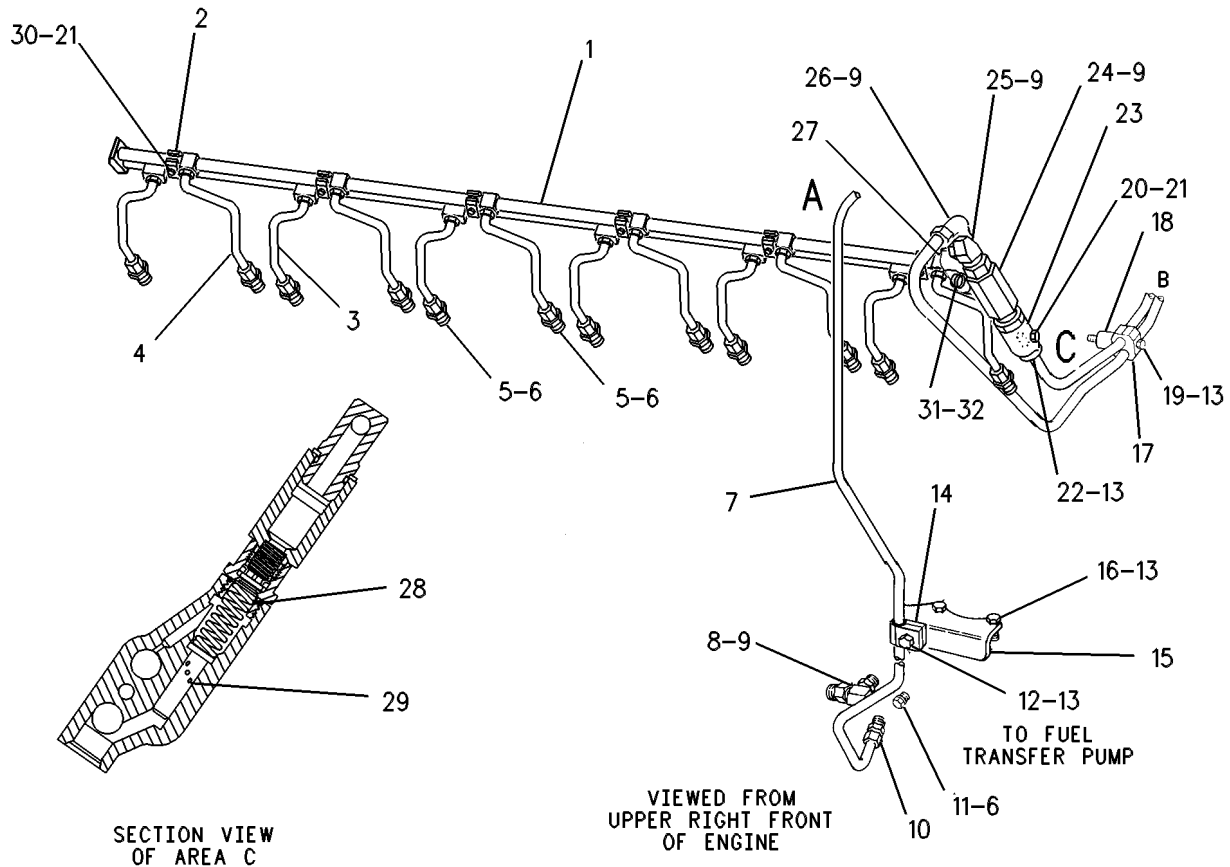
NOTE	REF NO	GRAPHIC REF	PART NUMBER	QTY	PART NAME						SEE PAGE
					1	2	3	4	5	6 (PRODUCT LEVEL)	
	1	1	7C-8604	1	MANIFOLD AS-FUEL						
	2	1	8N-2755	12	CLAMP						
	3	1	7C-7678	6	TUBE AS						
	4	1	7C-7677	6	TUBE AS						
	5	1	7W-2122	12	CONNECTOR-PORT						
	6	1	3J-1907	13	SEAL-O-RING						
	7	1	1N-4639	1	TUBE AS						
	8	1	6V-4363	1	ELBOW						
	9	1	2M-9780	5	SEAL-O-RING						
	10	1	2P-7636	1	CONNECTOR (3/4-16 STR-THD)						
		1	3K-0360	1	SEAL-O-RING						
	11	1	9S-4191	1	PLUG (9/16-18-THD)						
	12	1	0L-2070	1	BOLT (3/8-16X2.25-IN)						
	13	1	5M-2894	4	WASHER-HARD (10.2X18.5X2.5-MM THK)						
	14	1	7C-2199	2	CLAMP						
		1	7C-3036	1	GROMMET						
	15	1	8N-6210	1	BRACKET-LINE SUPPORT						
	16	1	0S-1590	2	BOLT (3/8-16X2-IN)						
	17	1	8N-2755	2	CLAMP						
	18	1	6B-6205	1	SPACER (0.438X0.875X1.281-IN THK)						
	19	1	0T-0065	1	BOLT (3/8-16X3.5-IN)						
	20	1	1F-4111	1	BOLT (5/16-18X3.5-IN)						
	21	1	9M-1974	7	WASHER-HARD (8.8X16X2-MM THK)						
	22	1	9M-4584	1	CONNECTOR						
	23	1	7C-7682	1	ADAPTER-FUEL MANIFOLD (RH)						
	24	1	7E-3921	1	VALVE-CHECK						
	25	1	030-7977	1	ELBOW						
	26	1	030-7949	1	ELBOW						
	27	1	7N-6806	2	SEAL-RECTANGULAR						
	28	1	9N-4053	1	SPRING						
	29	1	1W-7535	1	PLUNGER-VALVE						
	30	1	2B-2694	6	BOLT (5/16-18X2-IN)						
	31	1	9S-4182	1	PLUG (7/16-20-THD)						
	32	1	3J-7354	1	SEAL-O-RING						
	33	2	7C-8603	1	MANIFOLD AS-FUEL						
	34	2	8N-2755	12	CLAMP						
	35	2	0L-2070	5	BOLT (3/8-16X2.25-IN)						
	36	2	5M-2894	11	WASHER-HARD (10.2X18.5X2.5-MM THK)						
	37	2	8N-6327	1	TUBE AS						
	38	2	030-7949	2	ELBOW						
	39	2	2M-9780	4	SEAL-O-RING						
	40	2	8N-6326	1	TUBE AS						
	41	2	2P-1296	1	TEE						
	42	2	7C-7683	1	ADAPTER-FUEL MANIFOLD (LH)						
	43	2	1D-4539	1	BOLT (5/16-18X2.5-IN)						
	44	2	9M-1974	7	WASHER-HARD (8.8X16X2-MM THK)						
	45	2	9M-4584	1	CONNECTOR						
	46	2	0T-0065	3	BOLT (3/8-16X3.5-IN)						

FUEL SYSTEM

9Y-6576 LINES GP-FUEL INJECTION (contd.)

i00933296

NOTE	REF NO	GRAPHIC REF	PART NUMBER	QTY	PART NAME						SEE PAGE
					1	2	3	4	5	6 (PRODUCT LEVEL)	
	47	2	7K-3377	3	PIPE						
	48	2	1W-7537	1	TUBE AS						
	49	2	8N-8293	1	TUBE AS						
	50	2	8N-2755	2	CLAMP						
	51	2	1D-4717	1	NUT (3/8-16-THD)						
	52	2	0S-1594	2	BOLT (3/8-16X1-IN)						
	53	2	7P-8672	1	PLATE						
	54	2	5P-4900	1	ELBOW-FLARED						
	55	2	8N-6211	1	PLATE-LINE SUPPORT						
	56	2	7W-2122	12	CONNECTOR-PORT						
	57	2	3J-1907	12	SEAL-O-RING						
	58	2	1N-4734	14	CLAMP						
	59	2	2B-2694	6	BOLT (5/16-18X2-IN)						
	60	2	7N-6806	2	SEAL-RECTANGULAR						
	61	2	7C-7677	6	TUBE AS						
	62	2	7C-7678	6	TUBE AS						



SECTION VIEW OF AREA C

VIEWED FROM UPPER RIGHT FRONT OF ENGINE

TO FUEL TRANSFER PUMP

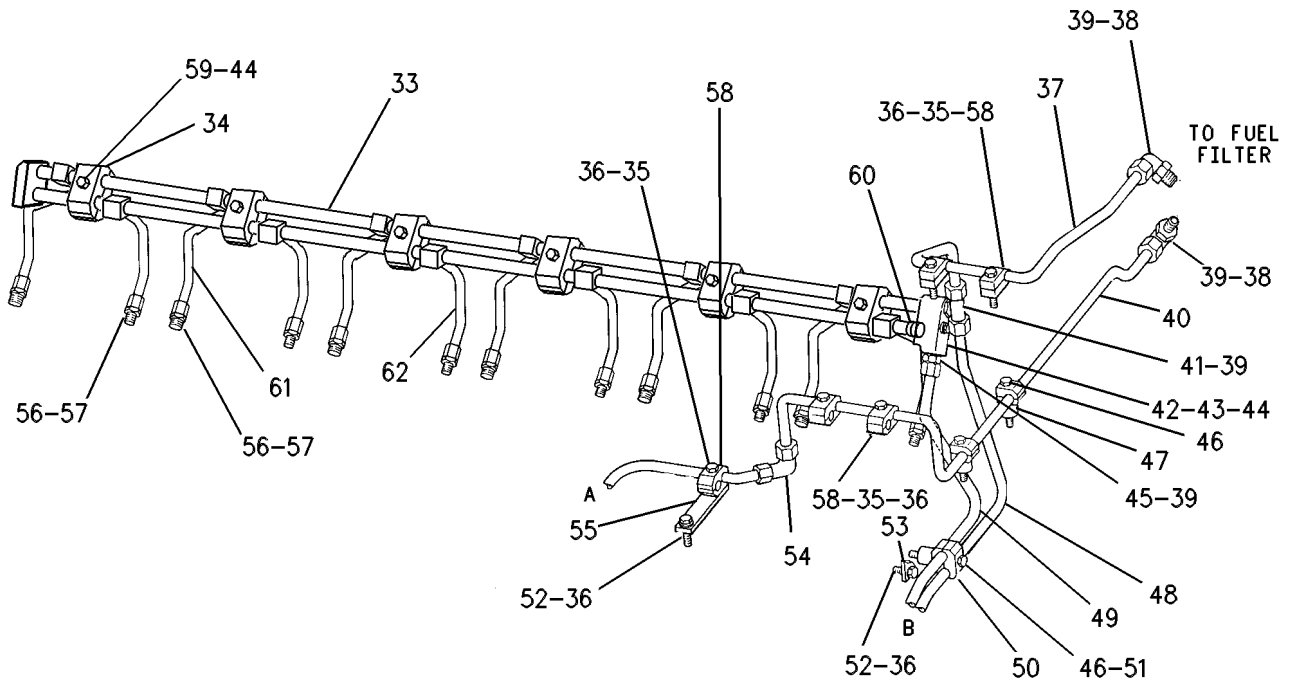
GRAPHIC #1

g00379381

FUEL SYSTEM

9Y-6576 LINES GP-FUEL INJECTION (contd.)

i00933296



VIEWED FROM
UPPER RIGHT FRONT
OF ENGINE

GRAPHIC #2

<END>

g00379382

FUEL SYSTEM

9Y-6576 LINES GP-FUEL INJECTION

S/N: 50Y952-1304; 66Z436-578

SMCS-1252, 1254

i01323043

NOTE	REF NO	GRAPHIC REF	PART NUMBER	QTY	PART NAME						SEE PAGE
					1	2	3	4	5	6 (PRODUCT LEVEL)	
	1	1	7P-8672	1	PLATE						
	2	1	3K-0360	1	SEAL-O-RING						
	3	1	4P-0693	4	CLAMP AS						
	4	1	0L-2070	6	BOLT (3/8-16X2.25-IN)						
	5	1,2	5M-2894	15	WASHER-HARD (10.2X18.5X2.5-MM THK)						
	6	1	8N-6326	1	TUBE AS						
	7	1	4P-0692	16	CLAMP AS						
	8	1	0T-0065	4	BOLT (3/8-16X3.5-IN)						
	9	1	7K-3377	3	PIPE						
	10	1,2	7N-6806	4	SEAL-RECTANGULAR						
	11	1	8N-6327	1	TUBE AS						
	12	1	030-7949	3	ELBOW						
	13	1,2	2M-9780	9	SEAL-O-RING						
	14	1	7C-7683	1	ADAPTER-FUEL MANIFOLD (LH)						
	15	1	1D-4539	1	BOLT (5/16-18X2.5-IN)						
	16	1	9M-1974	2	WASHER-HARD (8.8X16X2-MM THK)						
	17	1	2P-1296	1	TEE						
	18	1	9M-4584	2	CONNECTOR						
	19	1	8N-8293	1	TUBE AS						
	20	1	1W-7537	1	TUBE AS						
	21	1	8N-6211	1	PLATE-LINE SUPPORT						
	22	1	5P-4900	1	ELBOW-FLARED						
	23	2	114-5477	1	PLUNGER-VALVE						
	24	2	9N-4053	1	SPRING						
	25	1	7C-7682	1	ADAPTER-FUEL MANIFOLD (RH)						
	26	1	1D-4541	1	BOLT (5/16-18X3-IN)						
	27	1	0S-1594	2	BOLT (3/8-16X1-IN)						
	28	1	6B-6205	1	SPACER (0.438X0.875X1.281-IN THK)						
	29	2	3J-1907	25	SEAL-O-RING						
	30	2	4P-1932	1	TUBE AS						
	31	1,2	2B-2694	12	BOLT (5/16-18X2-IN)						
	32	1	2P-7636	1	CONNECTOR (3/4-16 STR-THD)						
	33	1	4P-5495	1	MANIFOLD AS-FUEL						
		1	9Y-0047	12	CLAMP						
		1	100-3237	12	GROMMET						
		1	101-4135	6	PIN-SPRING						
	34	2	4P-5494	1	MANIFOLD AS-FUEL						
		2	9Y-0047	12	CLAMP						
		2	100-3237	12	GROMMET						
		2	101-4135	6	PIN-SPRING						
	35	2	9S-4191	1	PLUG (9/16-18-THD)						
	36	1	030-7977	1	ELBOW						
	37	2	7C-7678	6	TUBE AS						
	38	2	7C-7677	6	TUBE AS						
	41	2	7W-2122	24	CONNECTOR-PORT						
	43	2	9S-4182	1	PLUG (7/16-20-THD)						
	44	2	3J-7354	1	SEAL-O-RING						
	45	1	9S-8752	1	NUT-FULL (3/8-16-THD)						

FUEL SYSTEM

9Y-6576 **LINES GP-FUEL INJECTION** (contd.)

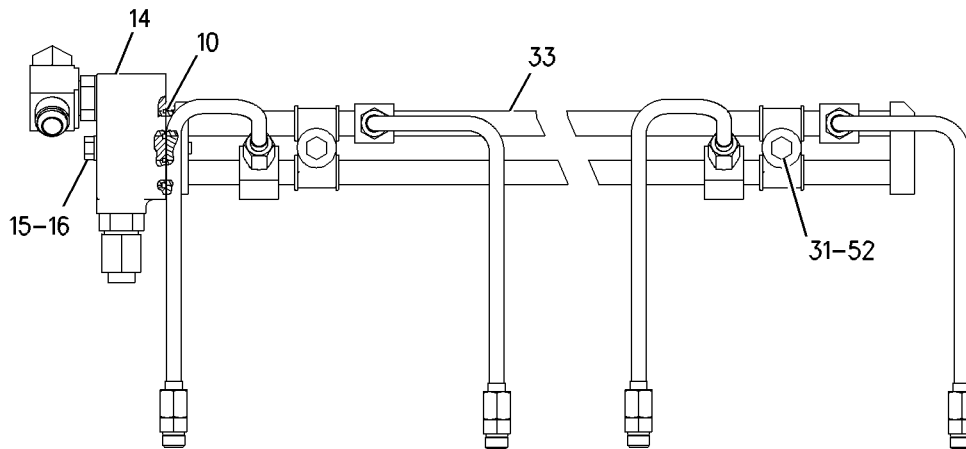
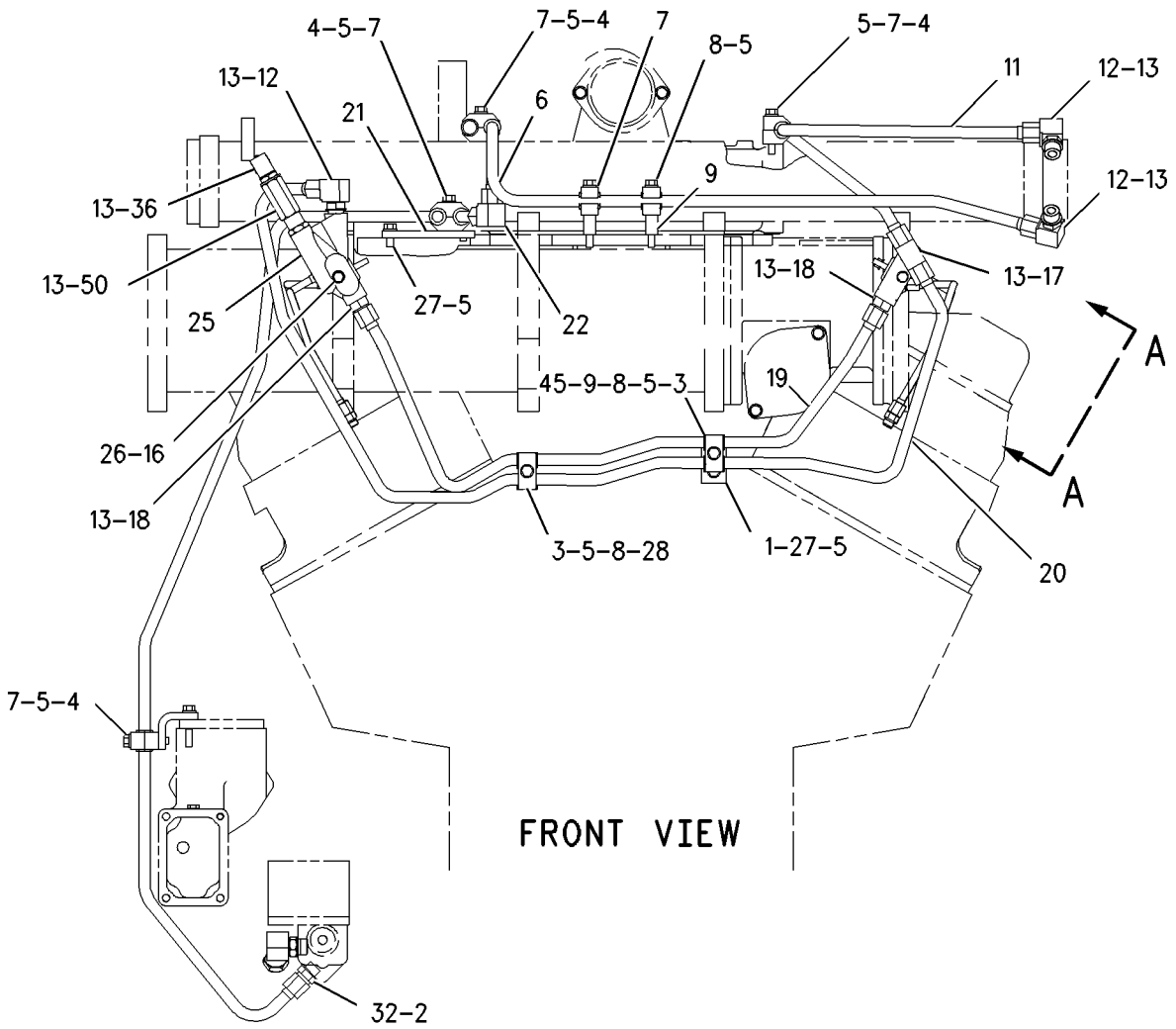
i01323043

NOTE	REF NO	GRAPHIC REF	PART NUMBER	QTY	PART NAME						SEE PAGE
					1	2	3	4	5	6 (PRODUCT LEVEL)	
	46	2	6V-4363	1	ELBOW						
	48	2	0S-1590	2	BOLT (3/8-16X2-IN)						
	49	2	8N-6210	1	BRACKET-LINE SUPPORT						
	50	1	7E-3921	1	VALVE-CHECK						
	52	1,2	9N-0869	6	WASHER-HARD (8.8X25.5X2-MM THK)						

FUEL SYSTEM

9Y-6576 LINES GP-FUEL INJECTION (contd.)

i01323043



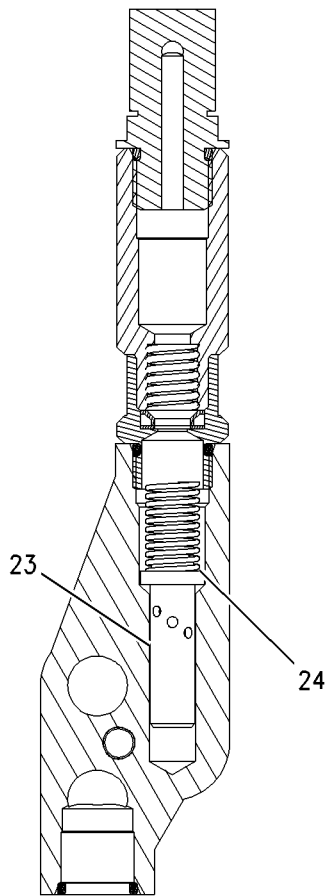
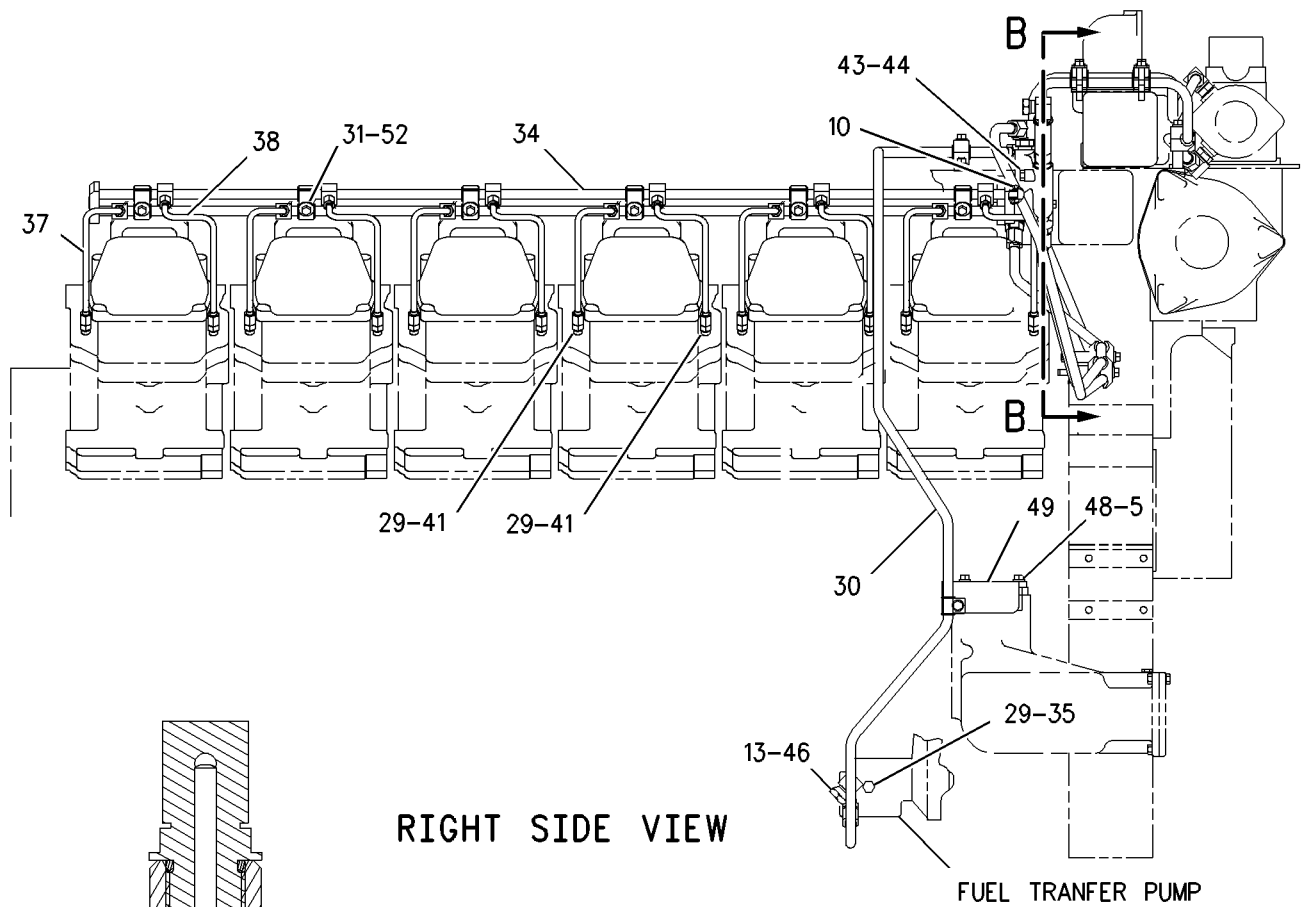
GRAPHIC #1

g00700031

FUEL SYSTEM

9Y-6576 LINES GP-FUEL INJECTION (contd.)

i01323043



GRAPHIC #2

<END>

g00700042

FUEL SYSTEM

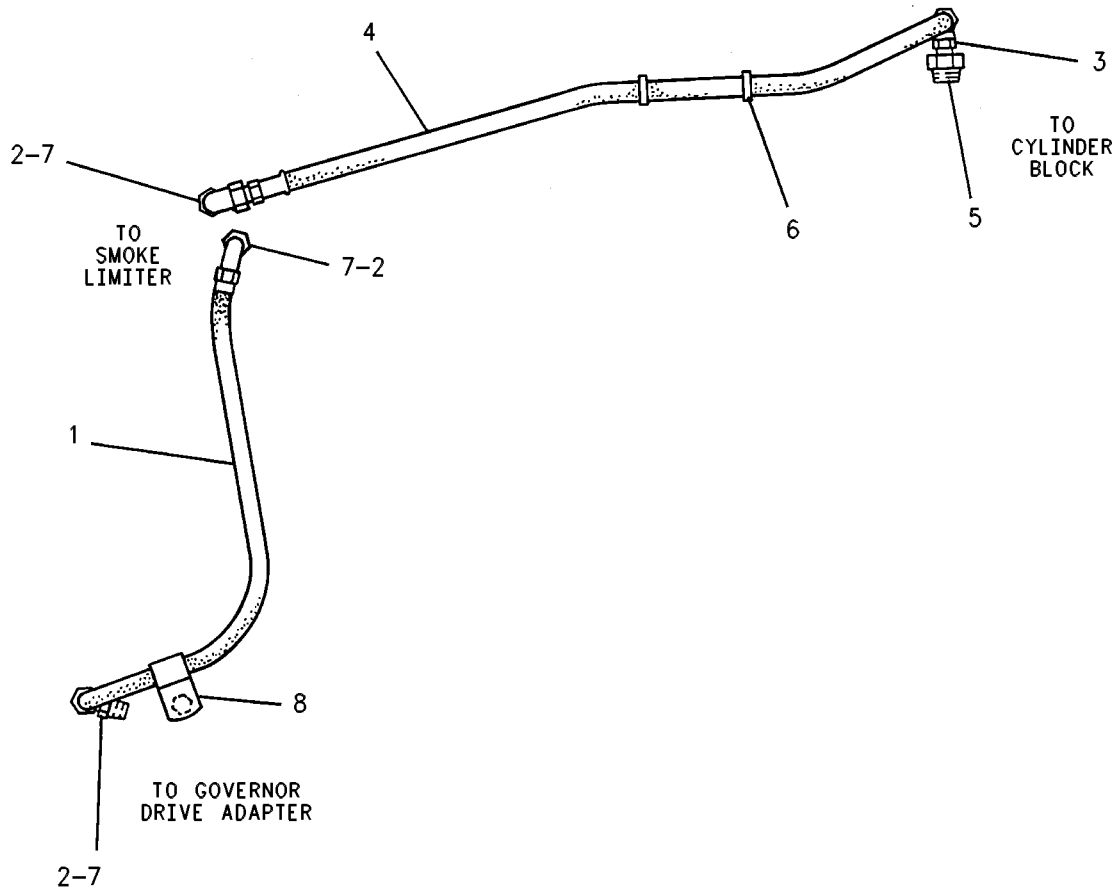
1N-3247 LINES GP-FUEL RATIO CONTROL-R.H. PART OF 8N-6481 GOVERNOR GP AN ATTACHMENT

SMCS-1278

i00931956

NOTE	REF NO	GRAPHIC REF	PART NUMBER	QTY	PART NAME						SEE PAGE
					1	2	3	4	5	6 (PRODUCT LEVEL)	
EI	1	1	2V-5956	1	HOSE AS (53.4CM)						
	2	1	3J-7354	3	SEAL-O-RING						
	3	1	7K-9197	1	ELBOW						
CEI	4	1	<i>3P-6048</i>	1	HOSE AS						
	5	1	001-9440	1	CONNECTOR						
	6	1	6K-0806	2	STRAP-CABLE						
	7	1	030-7946	3	ELBOW						
	8	1	6D-3479	1	CLIP (LOOP)						

C - CHANGE FROM PREVIOUS TYPE
E - ORDER BY THE CENTIMETER
I - REFER TO HYDRAULIC INFORMATION SYSTEM



GRAPHIC #1

<END>

g00478121

FUEL SYSTEM

1N-4348 LINES GP-FUEL RATIO CONTROL-L.H.

S/N: 66Z190-578

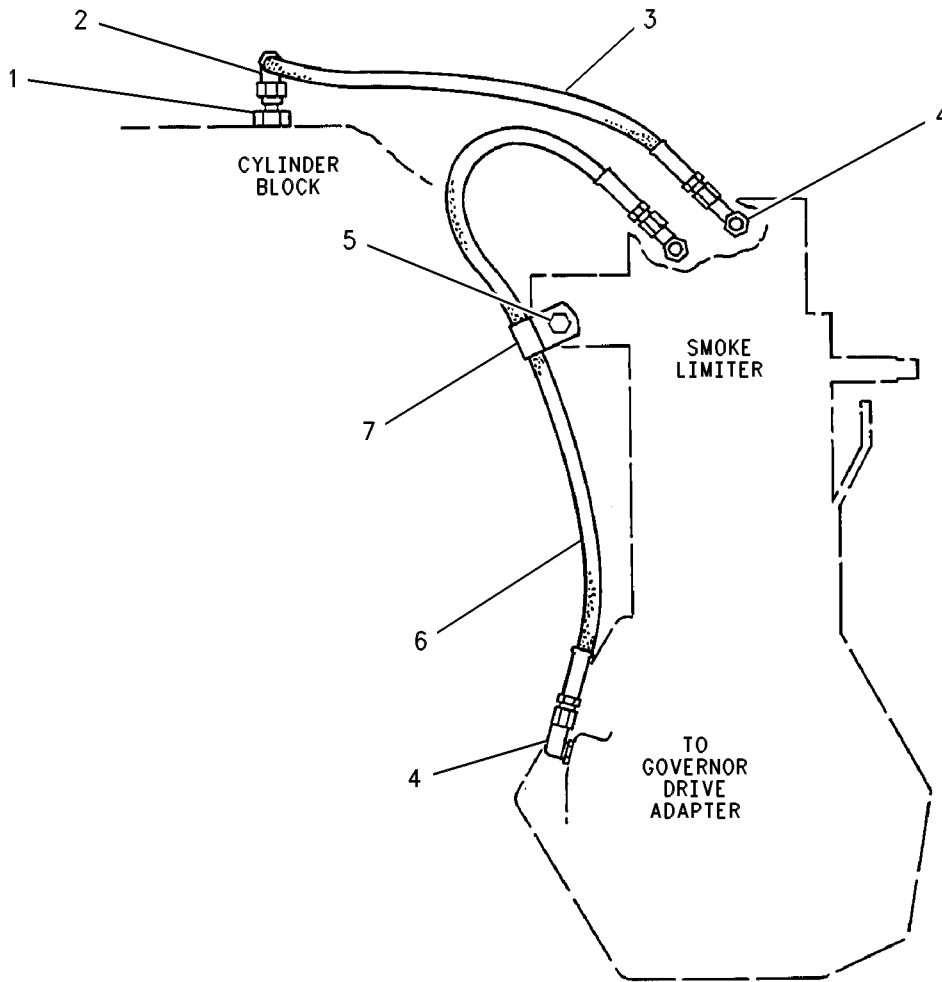
PART OF 8N-6477, 8N-6722 GOVERNOR GP
AN ATTACHMENT

SMCS-1278

i00975975

NOTE	REF NO	GRAPHIC REF	PART NUMBER	QTY	PART NAME						SEE PAGE
					1	2	3	4	5	6	
	1	1	001-9440	1	CONNECTOR						
	2	1	7K-9197	1	ELBOW						
I	3	1	2V-5956	1	HOSE AS						
	4	1	030-7946	3	ELBOW						
		1	3J-7354	3	SEAL-O-RING						
	5	1	0L-1351	1	BOLT (3/8-16X0.875-IN)						
		1	1D-4717	1	NUT (3/8-16-THD)						
		1	5M-2894	1	WASHER-HARD (10.2X18.5X2.5-MM THK)						
I	6	1	3N-7281	1	HOSE AS						
	7	1	6D-3479	1	CLIP (LOOP)						

I - REFER TO HYDRAULIC INFORMATION SYSTEM



GRAPHIC #1

<END>

g00501997

FUEL SYSTEM

1W-2136 LINES GP-FUEL RATIO CONTROL-RH

S/N: 50Y647-676; 66Z190-199

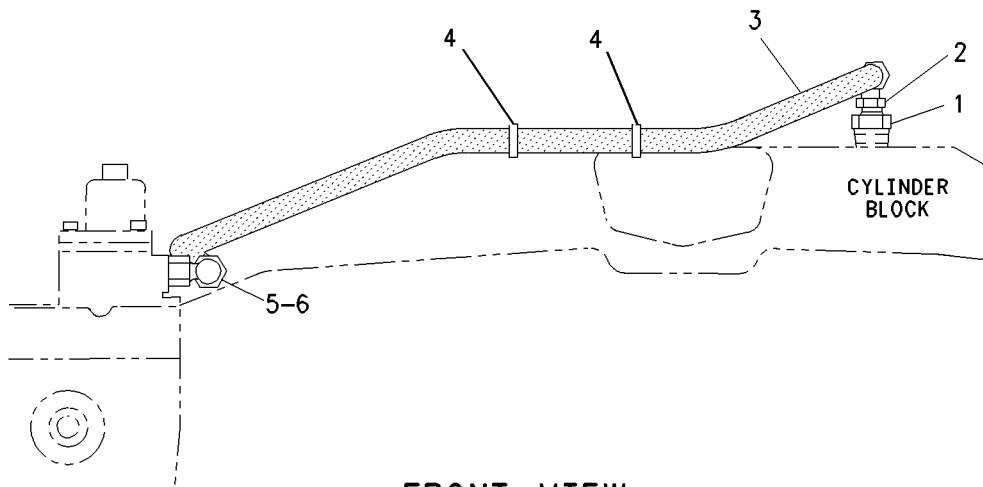
PART OF 7W-3331, 8N-6712, 8N-6714 GOVERNOR GP
ALSO AN ATTACHMENT

SMCS-1278

i01802530

NOTE	REF NO	GRAPHIC REF	PART NUMBER	QTY	PART NAME						SEE PAGE
					1	2	3	4	5	6 (PRODUCT LEVEL)	
	1	1	001-9440	1	CONNECTOR						
	2	1	7K-9197	1	ELBOW						
I	3	1	7N-2539	1	HOSE AS						
	4	1	6K-0806	2	STRAP-CABLE						
	5	1	030-7946	1	ELBOW						
	6	1	3J-7354	1	SEAL-O-RING						

I - REFER TO HYDRAULIC INFORMATION SYSTEM



FRONT VIEW

GRAPHIC #1

<END>

g00922675

FUEL SYSTEM

1W-2136 LINES GP-FUEL RATIO CONTROL-RH

S/N: 50Y677-1304; 66Z200-578

PART OF 7W-3331, 8N-6712, 8N-6714 GOVERNOR GP

ALSO AN ATTACHMENT

SMCS-1278

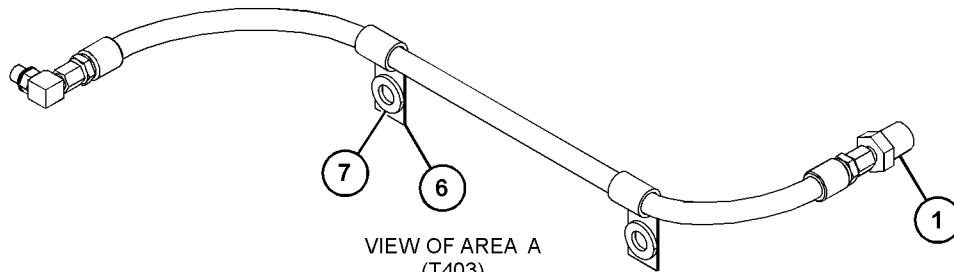
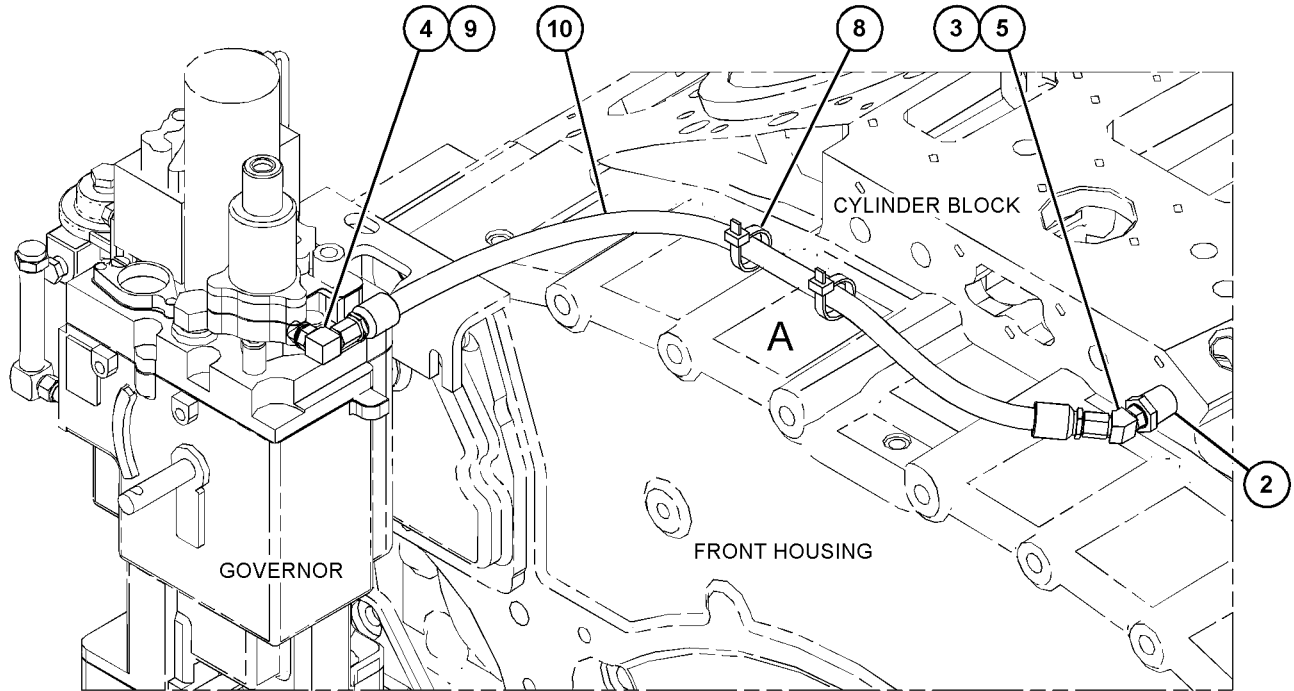
i07505206

NOTE	REF NO	GRAPHIC REF	PART NUMBER	QTY	PART NAME						SEE PAGE
					1	2	3	4	5	6 (PRODUCT LEVEL)	
B	1	1	001-9440	1	CONNECTOR						
	2	1	5R-5304	1	ADAPTER						
B	3	1	030-7941	1	ELBOW						
	4	1	030-7946	1	ELBOW						
B	5	1	214-7566	1	SEAL-O-RING						
CB	6	1	4S-1936	2	CLIP						
B	7	1	5P-8245	2	WASHER-HARD (13.5X25.5X3-MM THK)						
B	8	1,2	6K-0806	2	STRAP-CABLE						
	9	1	6V-5048	1	SEAL-O-RING						
I	10	1	172-4288	1	HOSE AS						

B - USE AS REQUIRED

C - CHANGE FROM PREVIOUS TYPE

I - REFER TO HYDRAULIC INFORMATION SYSTEM



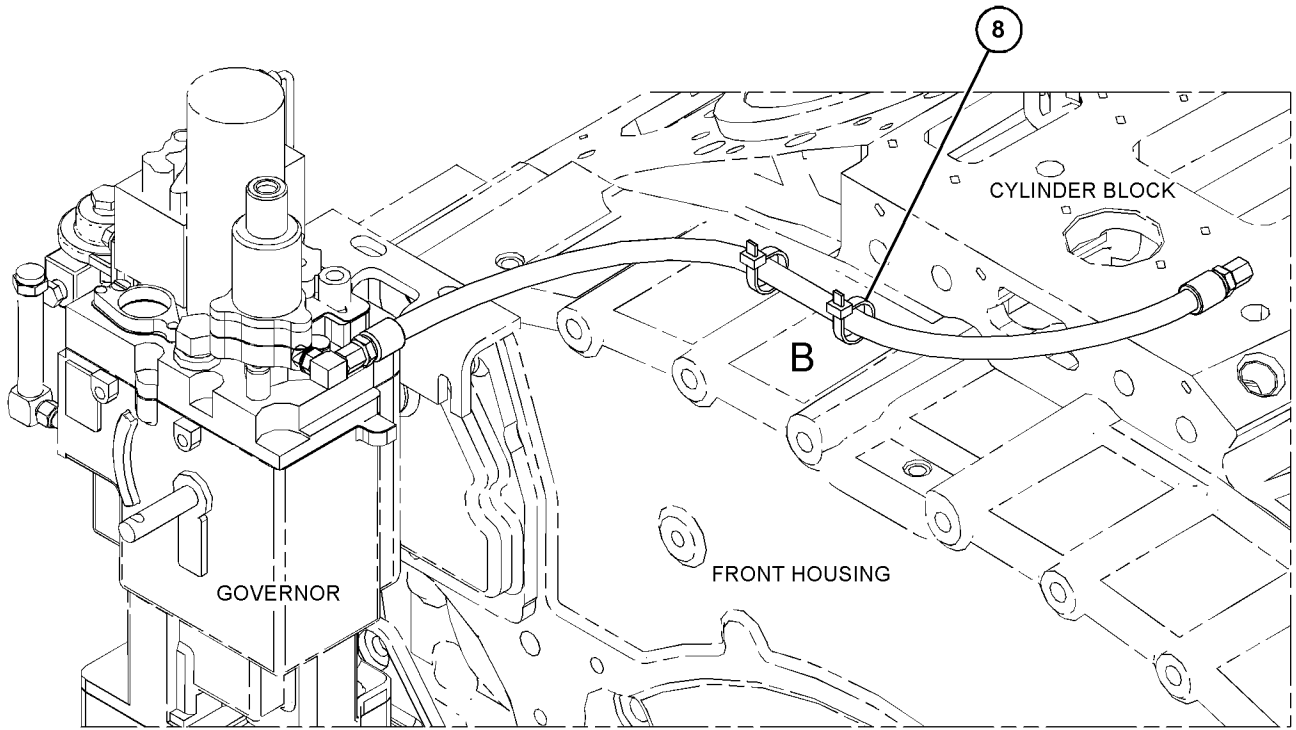
GRAPHIC #1

g06359583

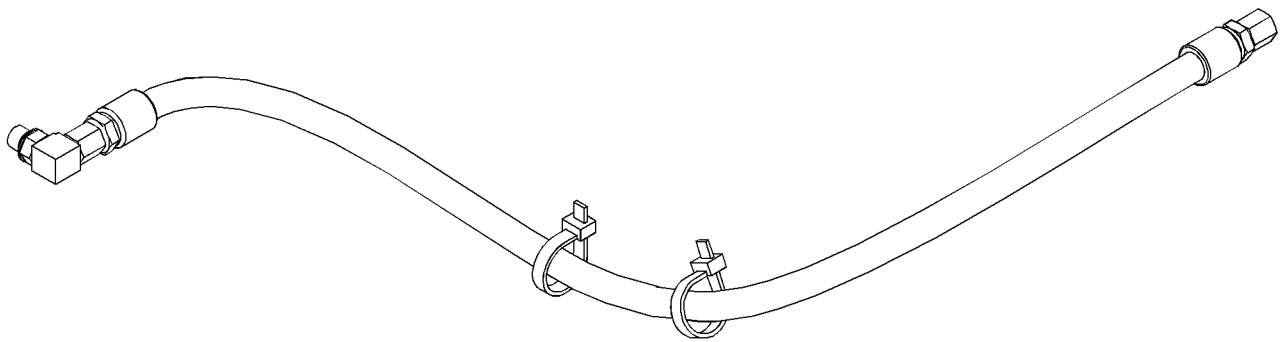
FUEL SYSTEM

1W-2136 LINES GP-FUEL RATIO CONTROL (contd.)

i07505206



(RM388, RM389, RM413, RM415, T534)



GRAPHIC #2

<END>

g06359584

FUEL SYSTEM

1W-5171 LINES GP-FUEL RATIO CONTROL

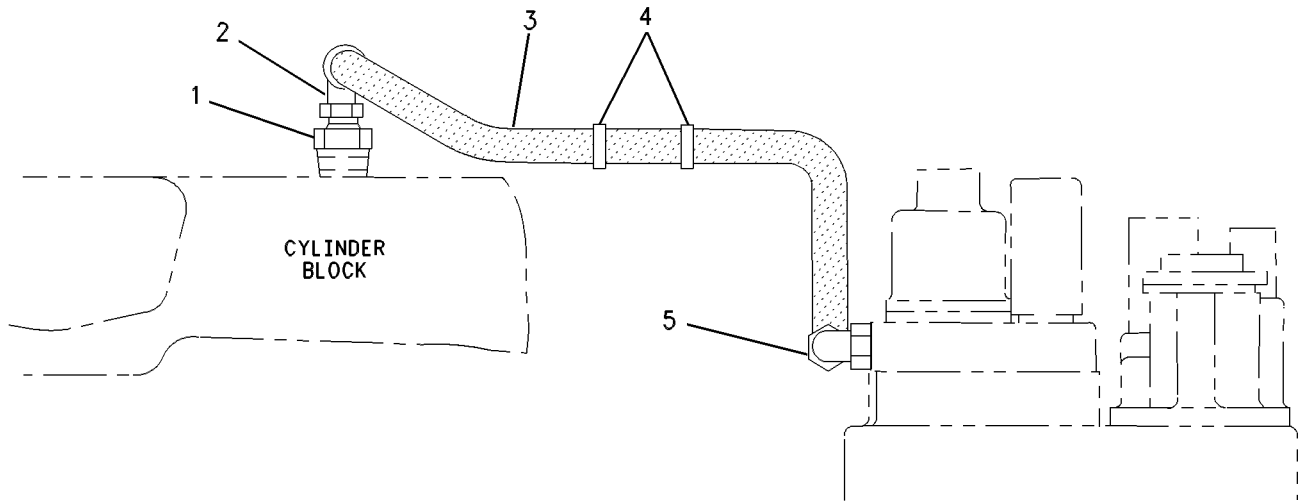
PART OF 1W-5017, 1W-5021, 2W-8583, 2W-8585, 7W-3332, 7W-3333 GOVERNOR GP
AN ATTACHMENT
TYPE 1

SMCS-1278

i00931957

NOTE	REF NO	GRAPHIC REF	PART NUMBER	QTY	PART NAME						SEE PAGE
					1	2	3	4	5	6 (PRODUCT LEVEL)	
	1	1	001-9440	1	CONNECTOR						
	2	1	7K-9197	1	ELBOW						
I	3	1	2V-5956	1	HOSE AS						
	4	1	6K-0806	2	STRAP-CABLE						
	5	1	030-7946	1	ELBOW						
		1	3J-7354	1	SEAL-O-RING						

I - REFER TO HYDRAULIC INFORMATION SYSTEM



GRAPHIC #1

<END>

g00478168

FUEL SYSTEM

1W-5171 LINES GP-FUEL RATIO CONTROL

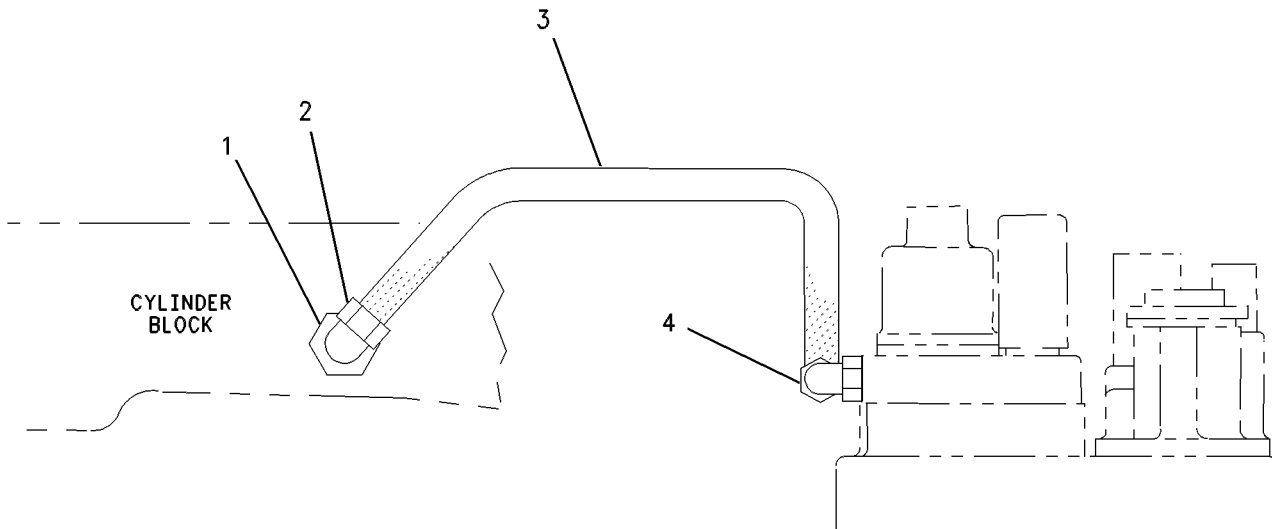
PART OF 1W-5017, 1W-5021, 2W-8583, 2W-8585, 7W-3332, 7W-3333 GOVERNOR GP
AN ATTACHMENT
TYPE 2

SMCS-1278

i00931960

NOTE	REF NO	GRAPHIC REF	PART NUMBER	QTY	PART NAME						SEE PAGE
					1	2	3	4	5	6 (PRODUCT LEVEL)	
	1	1	001-9440	1	CONNECTOR						
	2	1	7K-9197	1	ELBOW						
CI	3	1	3T-3848	1	HOSE AS						
	4	1	030-7946	1	ELBOW						
C	1	1	6V-5048	1	SEAL-O-RING						

C - CHANGE FROM PREVIOUS TYPE
I - REFER TO HYDRAULIC INFORMATION SYSTEM



GRAPHIC #1

<END>

g00478247

FUEL SYSTEM

2W-1484 LINKAGE GP-GOVERNOR

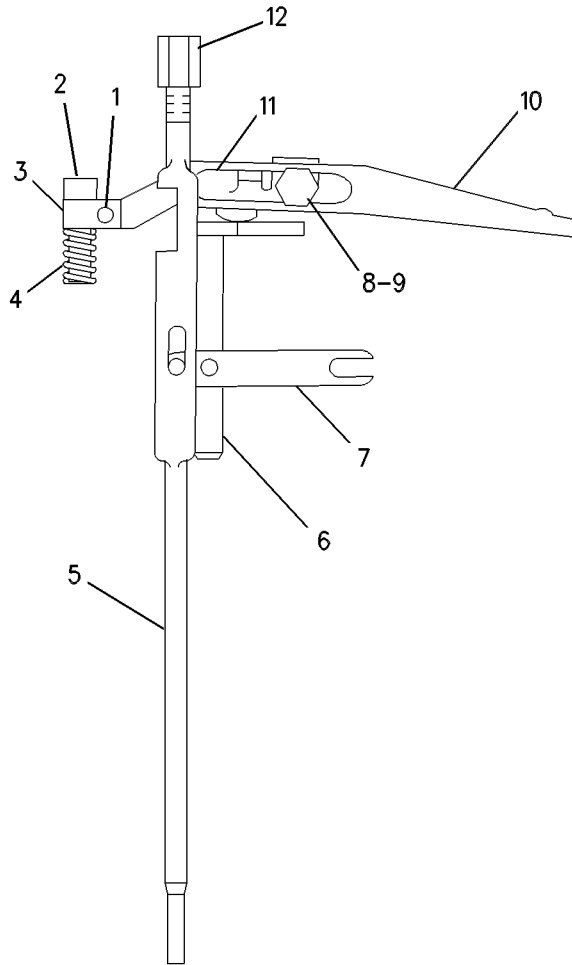
PART OF 1W-4859 GOVERNOR GP

ALSO AN ATTACHMENT

SMCS-1265

i00931963

NOTE	REF NO	GRAPHIC REF	PART NUMBER	QTY	PART NAME						SEE PAGE
					1	2	3	4	5	6	
	1	1	2F-6721	1	PIN-RACK						
	2	1	2W-5869	1	BOLT-SOCKET HEAD						
	3	1	2W-5005	1	BLOCK-PIVOT						
	4	1	2W-4994	1	SPRING						
	5	1	2W-1646	1	ROD-SHUTOFF						
	6	1	2W-5014	1	ROD AS						
	7	1	2W-5011	1	LEVER AS						
	8	1	2W-5975	1	SCREW-BOLT (1/4-28X0.5-IN)						
	9	1	3L-6759	1	WASHER						
	10	1	2W-4635	1	LEVER-LIMITER						
	11	1	2W-4608	1	CAMSHAFT-LINK						
	12	1	2W-1228	1	NUT-SHUTDOWN ADJUSTMENT (1/4-28-THD)						



GRAPHIC #1

<END>

g00478253

FUEL SYSTEM

156-9753 MANIFOLD GP-FUEL-RH

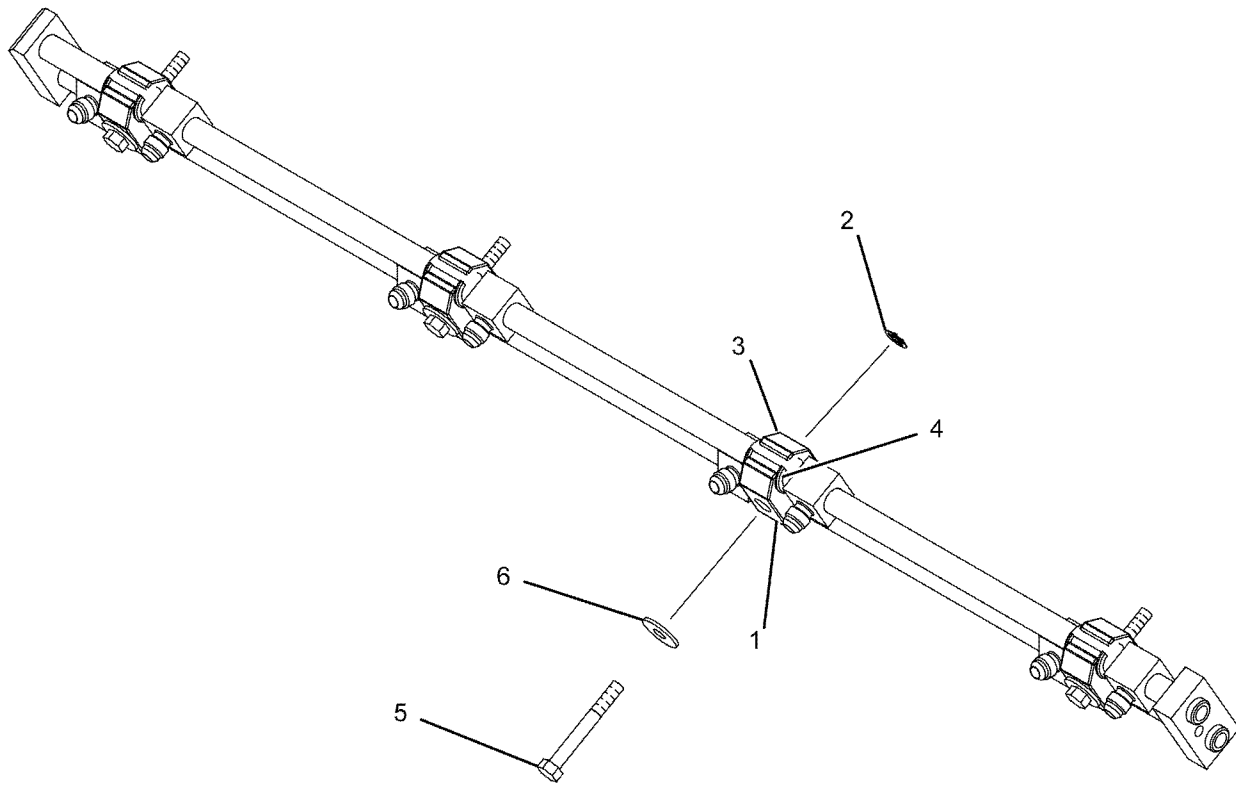
S/N: 50Y647-1304

PART OF 101-1247, 234-8723 LINES GP-FUEL INJECTION

SMCS-1274, 1380, 1702

i06831403

NOTE	REF NO	GRAPHIC REF	PART NUMBER	QTY	PART NAME						SEE PAGE
					1	2	3	4	5	6 (PRODUCT LEVEL)	
	1	1	9Y-0047	6	CLAMP						
	2	1	147-3745	6	WASHER-RETAINING						
	3	1	156-9748	6	CLAMP						
	4	1	100-3237	12	GROMMET						
	5	1	1D-4539	6	BOLT (5/16-18X2.5-IN)						
	6	1	9N-0869	6	WASHER-HARD (8.8X25.5X2-MM THK)						



GRAPHIC #1

<END>

g01102832

FUEL SYSTEM

156-9754 MANIFOLD GP-FUEL-LH

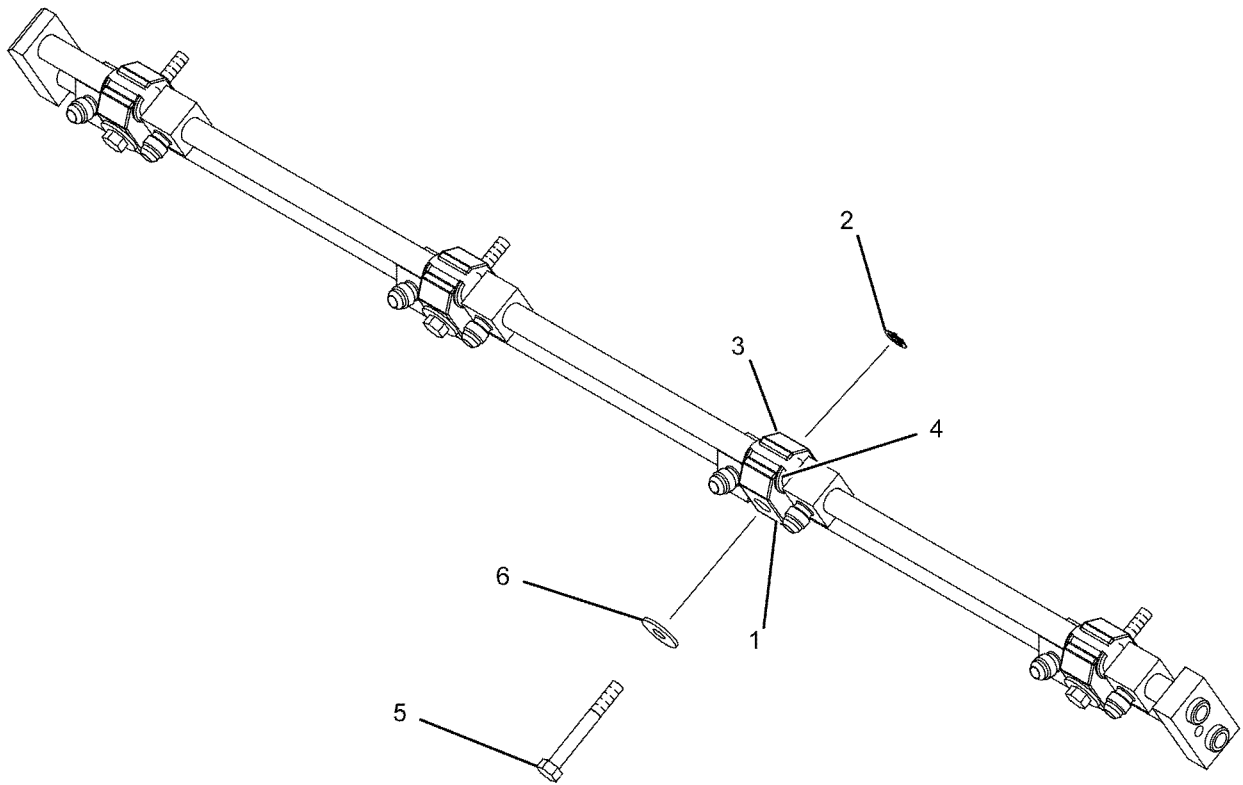
S/N: 50Y647-1304

PART OF 101-1247, 234-8723 LINES GP-FUEL INJECTION

SMCS-1274, 1380, 1702

i06831427

NOTE	REF NO	GRAPHIC REF	PART NUMBER	QTY	PART NAME						SEE PAGE
					1	2	3	4	5	6 (PRODUCT LEVEL)	
	1	1	9Y-0047	6	CLAMP						
	2	1	147-3745	6	WASHER - RETAINING						
	3	1	156-9748	6	CLAMP						
	4	1	100-3237	12	GROMMET						
	5	1	1D-4539	6	BOLT (5/16-18X2.5-IN)						
	6	1	9N-0869	6	WASHER - HARD (8.8X25.5X2-MM THK)						



GRAPHIC #1

<END>

g01102832

FUEL SYSTEM

5N-3212 MOUNTING GP-GOVERNOR ACTUATOR

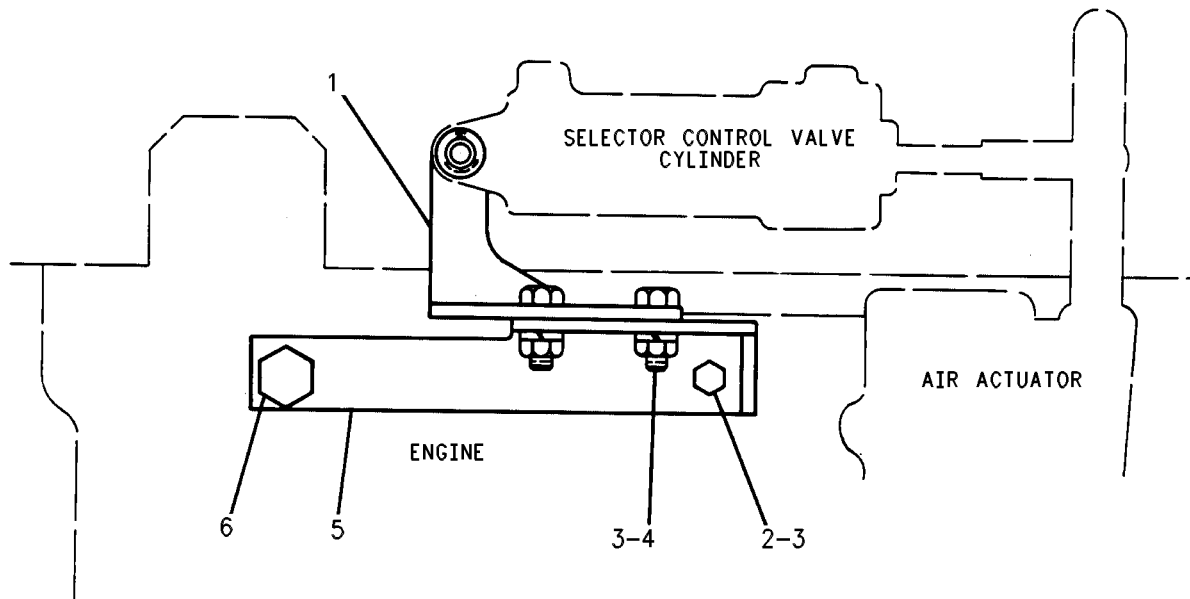
ENGINE MOUNTED

FOR USE WITH MATHERS CONTROL & 7271 MARINE GEAR PNEUMATIC
AN ATTACHMENT

SMCS-1716

i01013087

NOTE	REF NO	GRAPHIC REF	PART NUMBER	QTY	PART NAME						SEE PAGE
					1	2	3	4	5	6 (PRODUCT LEVEL)	
	1	1	3N-9272	1	BRACKET AS						
	2	1	0S-1571	1	BOLT (3/8-16X1.75-IN)						
		1	9L-0360	1	SPACER (0.88-IN THK)						
	3	1	3B-4506	3	LOCKWASHER						
	4	1	1A-2029	2	BOLT (3/8-16X1.125-IN)						
		1	1D-4717	2	NUT (3/8-16-THD)						
	5	1	3N-9270	1	BRACKET AS						
	6	1	8S-9092	1	BOLT (5/8-11X2.25-IN)						
		1	3B-4510	1	LOCKWASHER						
		1	4D-5668	1	SPACER						



GRAPHIC #1

<END>

g00508948

FUEL SYSTEM

1W-7207 PANEL AS-GOVERNOR

PART OF 1W-0516 GOVERNOR GP

AN ATTACHMENT

SMCS - 1264

i00931510

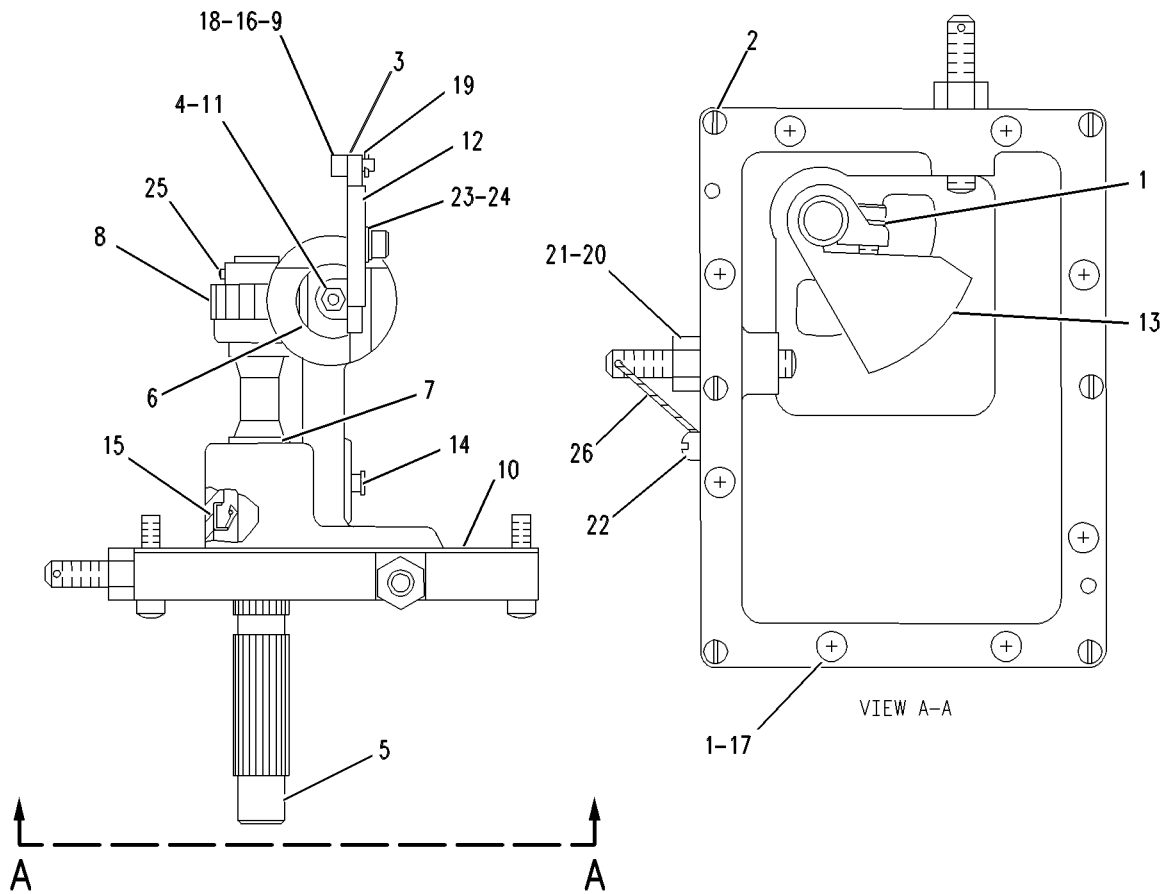
NOTE	REF NO	GRAPHIC REF	PART NUMBER	QTY	PART NAME						SEE PAGE
					1	2	3	4	5	6 (PRODUCT LEVEL)	
	1	1	3B-4502	9	LOCKWASHER						
	2	1	2F-6756	6	SCREW-PHILLIPS						
	3	1	1W-9659	1	LEVER AS						
	4	1	2W-3798	1	ROD-SHUTOFF						
	5	1	1W-9661	1	SHAFT-CONTROL						
	6	1	1W-9660	1	PLUG AS						
	7	1	1W-9664	1	PANEL AS-GOVERNOR						
	8	1	2W-3799	1	GEAR (32 TEETH)						
	9	1	1W-9663	1	LINK AS-DROOP						
	10	1	2F-6754	1	GASKET-PANEL						
	11	1	2W-3738	1	NUT-SHUTDOWN						
	12	1	2W-3737	1	CAMSHAFT-SPEED DROOP						
	13	1	2W-3736	1	LEVER-STOP						
	14	1	2F-6721	2	PIN-RACK						
	15	1	064-9020	1	SEAL-LIP TYPE						
	16	1	2F-6746	1	WASHER						
	17	1	5H-6467	8	SCREW-MACHINE						
	18	1	2F-6713	1	PIN-COTTER						
	19	1	3B-4604	1	PIN-COTTER						
	20	1	5B-3180	2	NUT (5/16-18-THD)						
	21	1	9L-8866	2	SETSCREW						
	22	1	7F-8501	1	SCREW-MACHINE						
	23	1	3B-4501	1	LOCKWASHER						
	24	1	4B-4863	1	WASHER (4.7X11X1.2-MM THK)						
	25	1	3K-4897	1	PIN-SPRING						
D	26	1	5P-6025		LOCKWIRE (27.56IN.)						

D - ORDER BY THE METER

FUEL SYSTEM

1W-7207 PANEL AS-GOVERNOR (contd.)

i00931510



GRAPHIC #1

<END>

g00476756

FUEL SYSTEM

116-7010 PUMP GP-FUEL INJECTION

S/N: 50Y647-1304

PART OF 376-4849 ENGINE AR-COMplete

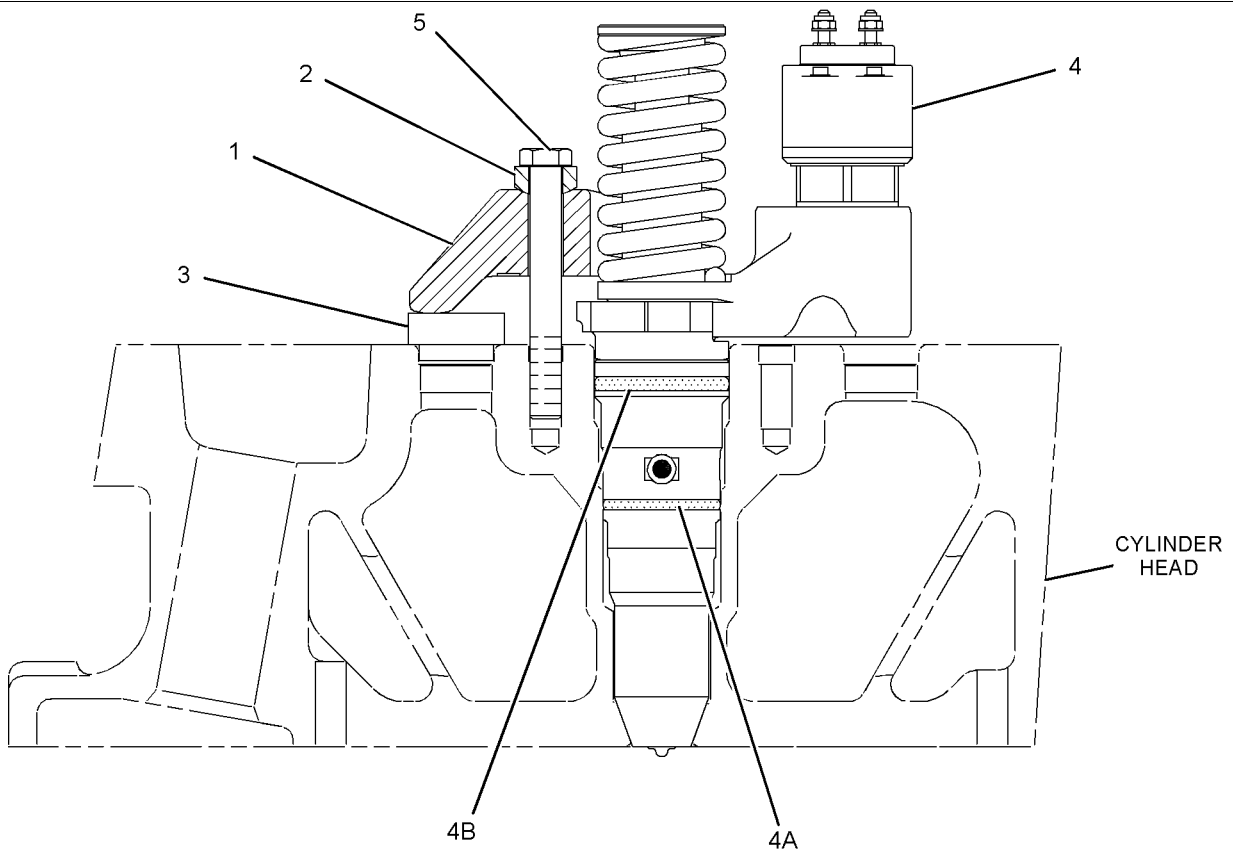
TYPE 1

SMCS-1251, 1290

i05257316

NOTE	REF NO	GRAPHIC REF	PART NUMBER	QTY	PART NAME						SEE PAGE
					1	2	3	4	5	6 (PRODUCT LEVEL)	
	1	1	7E-2580	1	CLAMP-INJECTOR						
	2	1	7N-5487	1	WASHER (12X22X9.5-MM THK)						
	3	1	234-4182	1	PLUG						
CR	4	1	386-1758	1	INJECTOR GP-FUEL						
	4A	1	245-4907	1	SEAL-O-RING						
	4B	1	245-4908	1	SEAL-O-RING						
	5	1	7F-8698	1	BOLT (7/16-14X3.5-IN)						

C - CHANGE FROM PREVIOUS TYPE
R - REMANUFACTURED PART MAY BE AVAILABLE



GRAPHIC #1

<END>

g01099473

FUEL SYSTEM

116-7010 PUMP GP-FUEL INJECTION

S/N: 50Y647-1304

PART OF 376-4849 ENGINE AR-COMplete

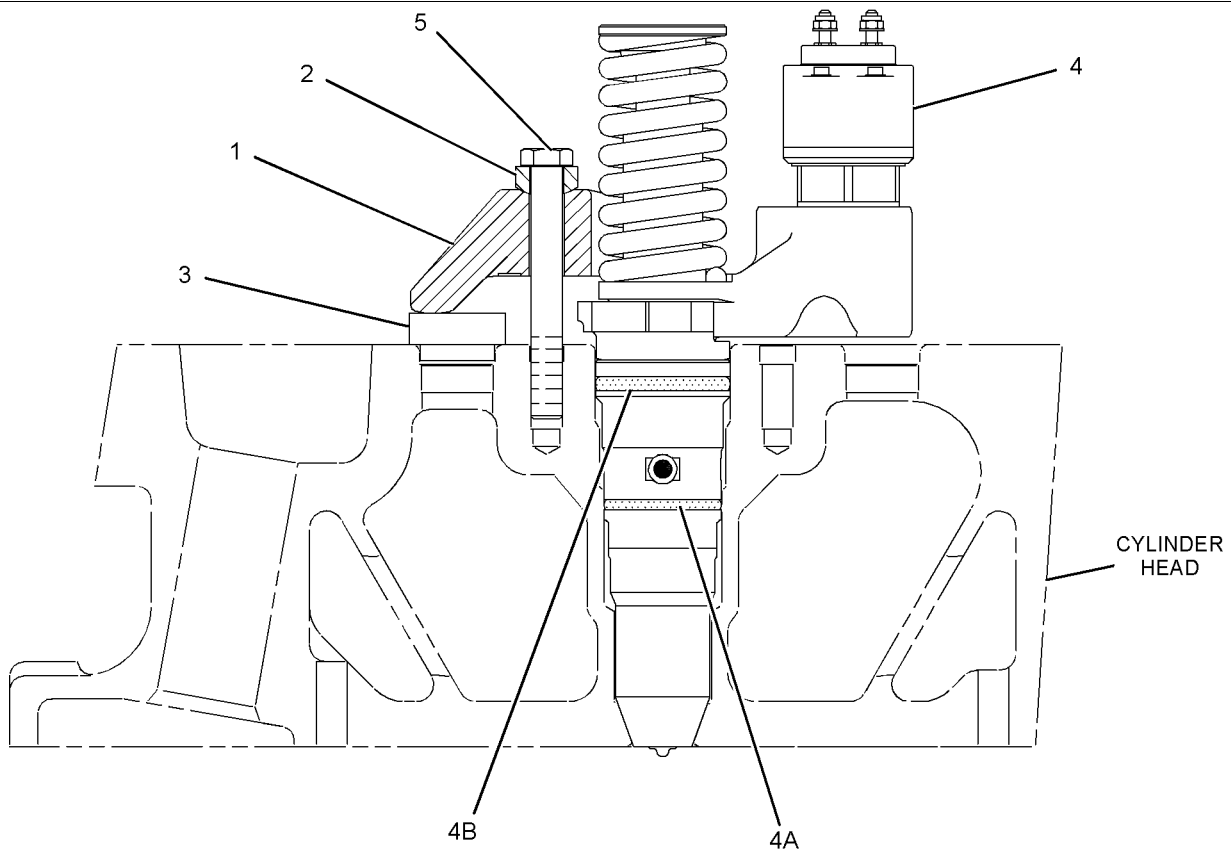
TYPE 2

SMCS-1251, 1290

i05259833

NOTE	REF NO	GRAPHIC REF	PART NUMBER	QTY	PART NAME						SEE PAGE
					1	2	3	4	5	6 (PRODUCT LEVEL)	
	1	1	7E-2580	1	CLAMP-INJECTOR						
	2	1	7N-5487	1	WASHER (12X22X9.5-MM THK)						
	3	1	234-4182	1	PLUG						
CR	4	1	392-0206	1	INJECTOR GP-FUEL						
	4A	1	245-4907	1	SEAL-O-RING						
	4B	1	245-4908	1	SEAL-O-RING						
	5	1	7F-8698	1	BOLT (7/16-14X3.5-IN)						

C - CHANGE FROM PREVIOUS TYPE
R - REMANUFACTURED PART MAY BE AVAILABLE



GRAPHIC #1

<END>

g01099473

FUEL SYSTEM

121-3563 PUMP GP-FUEL INJECTION

S/N: 66Z190-578

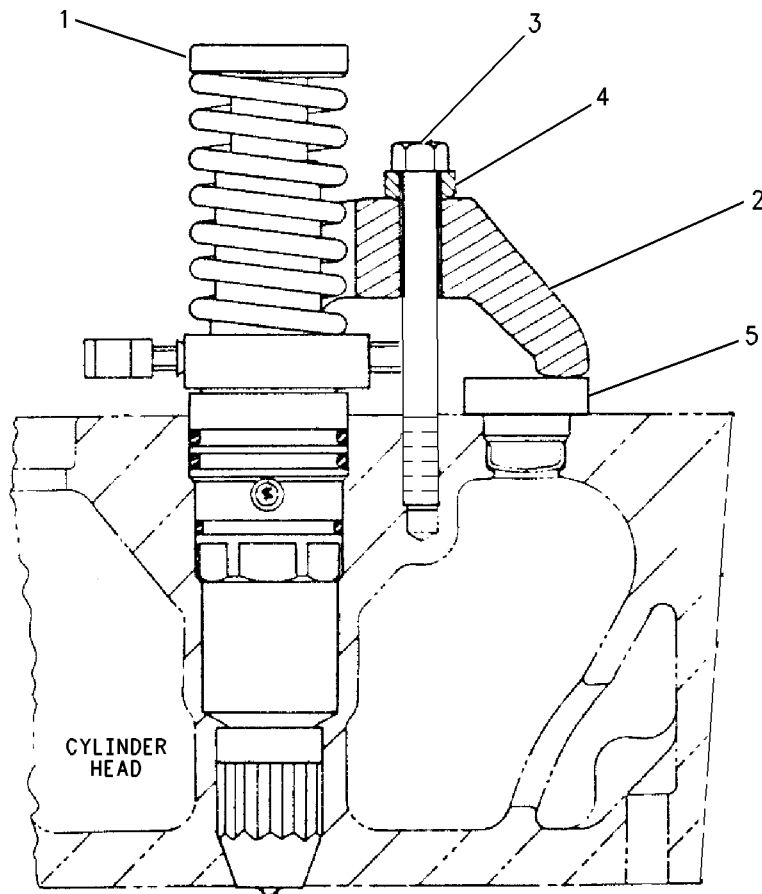
FOR USE WITH 900 RPM APPLICATIONS
AN ATTACHMENT

SMCS-1251, 1290

i02055416

NOTE	REF NO	GRAPHIC REF	PART NUMBER	QTY	PART NAME						SEE PAGE
					1	2	3	4	5	6 (PRODUCT LEVEL)	
YR	1	1	121-2630	1	INJECTOR GP-FUEL						1164
	2	1	1N-4910	1	CLAMP-INJECTOR						
	3	1	4F-7226	1	BOLT (7/16-14X4-IN)						
	4	1	7N-5487	1	WASHER (12X22X9.5-MM THK)						
	5	1	234-4182	1	PLUG						

R - REMANUFACTURED PART MAY BE AVAILABLE
Y - SEPARATE ILLUSTRATION



GRAPHIC #1

<END>

g00763104

FUEL SYSTEM

1W-4057 PUMP GP-FUEL INJECTION

S/N: 66Z190-206

SMCS-1251, 1290

i00935478

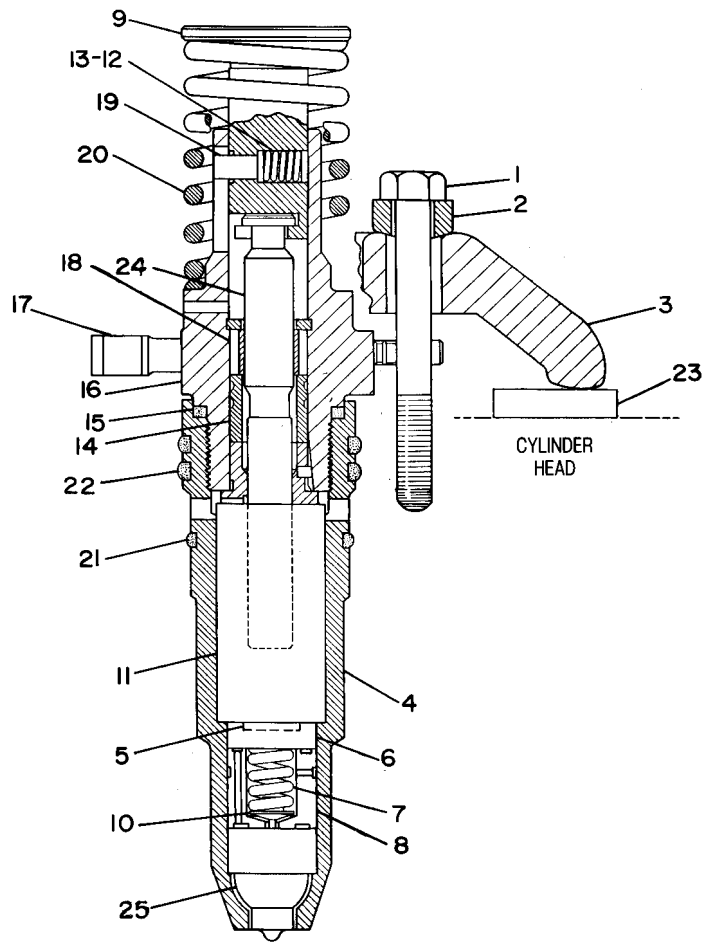
NOTE	REF NO	GRAPHIC REF	PART NUMBER	QTY	PART NAME						SEE PAGE
					1	2	3	4	5	6 (PRODUCT LEVEL)	
	1	1	7F-8698	1	BOLT (7/16-14X3.5-IN)						
	2	1	7N-5487	1	WASHER (12X22X9.5-MM THK)						
	3	1	8N-8069	1	CLAMP-INJECTOR						
R	4	1	5N-0680	1	INJECTOR AS						
		1	2W-5200	1	NUT AS-INJECTION VALVE						
	5	1	7N-5325	1	CHECK-INJECTION VALVE						
	6	1	7N-5307	1	CAGE-INJ CHECK VALVE						
	7	1	5N-5321	1	GEAR-SPUR						
	8	1	7N-5312	1	CAGE-INJECTION SPRING						
	9	1	7N-5310	1	FOLLOWER-INJECTION						
	10	1	7N-5319	1	SEAT-VALVE SPRING						
	11	1	7N-5314	1	DEFLECTOR-SPILL						
	12	1	7N-5317	1	SPRING-STOP PIN						
	13	1	7N-5318	1	RETAINER-PIN						
	14	1	7N-5322	1	RETAINER-GEAR						
	15	1	7N-5315	1	SEAL-INJECTOR						
	16	1	7N-5308	1	BODY AS-INJECTOR						
	17	1	7N-5309	1	RACK AS-INJECTOR						
	18	1	7N-5313	1	GEAR						
	19	1	7N-5320	1	PIN-INJECTION STOP						
	20	1	7N-5324	1	SPRING-PLUNGER						
	21	1	6V-1250	1	SEAL-O-RING						
	22	1	8J-8725	1	SEAL-O-RING						
	23	1	8N-9944	1	PLUG						
CAV	24	1	2W-7444	1	PLUNGER & BUSHING AS (MARKED L)						
					-OR-						
CAV		1	2W-7445	1	PLUNGER & BUSHING AS (MARKED M)						
					-OR-						
CAV		1	2W-7446	1	PLUNGER & BUSHING AS (MARKED H)						
CAV	25	1	2W-7441	1	TIP AS-SPRAY (MARKED L)						
					-OR-						
CAV		1	2W-7442	1	TIP AS-SPRAY (MARKED M)						
					-OR-						
CAV		1	2W-7443	1	TIP AS-SPRAY (MARKED H)						
					(LETTERS L, M & H DENOTE LOW, MEDIUM & HIGH FLOW RANGE)						
					AVAILABLE REPAIR KIT(S):						
			1W-7669	1	KIT-INJECTOR						
					(PROVIDES BOTH TIP AS & PLUNGER AS FOR UNITS NOT MARKED L, M OR H) V-SEE FORM SEHS8190 FOR COMBINATION OF PLUNGER, BUSHING TIP						

A - NOT PART OF THIS GROUP
 C - CHANGE FROM PREVIOUS TYPE
 R - REMANUFACTURED PART MAY BE AVAILABLE
 V

FUEL SYSTEM

1W-4057 PUMP GP-FUEL INJECTION (contd.)

i00935478



GRAPHIC #1

<END>

g00175318

FUEL SYSTEM

274-0053 PUMP GP-FUEL INJECTION

S/N: 50Y647-1304

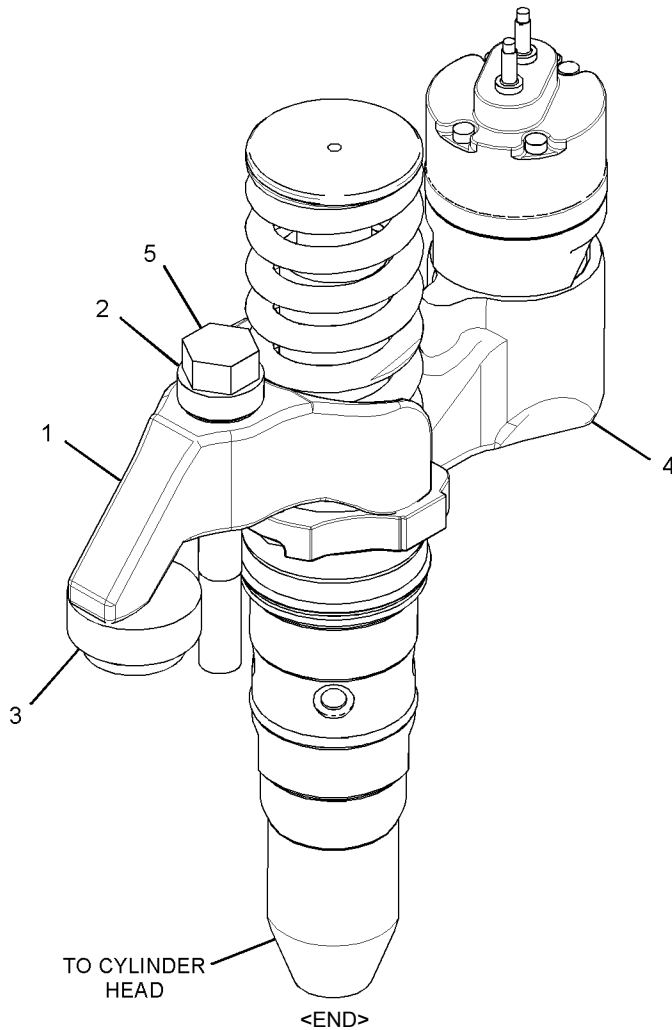
PART OF 357-0858 ENGINE AR-COMplete

SMCS-1251, 1290

i05271508

NOTE	REF NO	GRAPHIC REF	PART NUMBER	QTY	PART NAME						SEE PAGE
					1	2	3	4	5	6 (PRODUCT LEVEL)	
	1	1	7E-2580	1	CLAMP-INJECTOR						
	2	1	7N-5487	1	WASHER (12X22X9.5-MM THK)						
	3	1	234-4182	1	PLUG						
CYR	4	1	392-0220	1	INJECTOR GP-FUEL						1166
	5	1	7F-8698	1	BOLT (7/16-14X3.5-IN)						

C - CHANGE FROM PREVIOUS TYPE
 R - REMANUFACTURED PART MAY BE AVAILABLE
 Y - SEPARATE ILLUSTRATION



GRAPHIC #1

g03354916

FUEL SYSTEM

2W-9578 PUMP GP-FUEL INJECTION

S/N: 66Z190-209

SMCS-1251, 1290

i00648545

NOTE	REF NO	GRAPHIC REF	PART NUMBER	QTY	PART NAME						SEE PAGE
					1	2	3	4	5	6 (PRODUCT LEVEL)	
	1	1	1N-4910	1	CLAMP-INJECTOR						
	2	1	4F-7226	1	BOLT (7/16-14X4-IN)						
	3	1	7N-5487	1	WASHER (12X22X9.5-MM THK)						
	4	1	8N-9944	1	PLUG						
	5	1	8J-8725	2	SEAL-O-RING						
	6	1	6V-1250	1	SEAL-O-RING						
R	7	1	7C-0877	1	INJECTOR AS-FUEL						
C		1	2W-5200	1	NUT AS-INJECTION VALVE						
C	8	1	7N-5319	1	SEAT-VALVE SPRING						
C	9	1	7N-5325	1	CHECK-INJECTION VALVE						
C	10	1	7N-5312	1	CAGE-INJECTION SPRING						
C	11	1	7N-5322	1	RETAINER-GEAR						
C	12	1	7N-5309	1	RACK AS-INJECTOR						
C	13	1	7W-2237	1	FOLLOWER						
C	14	1	7W-0296	1	SPRING-INJECTOR						
C	15	1	7N-5317	1	SPRING-STOP PIN						
C	16	1	7N-5320	1	PIN-INJECTION STOP						
C	17	1	7N-5318	1	RETAINER-PIN						
C	18	1	7W-1034	1	PLUNGER AS						
					-OR-						
CA		1	7C-3003	1	PLUNGER AS (MARKED L)						
					-OR-						
CA		1	7C-3004	1	PLUNGER AS (MARKED M)						
					-OR-						
CA		1	7C-3005	1	PLUNGER AS (MARKED H)						
C	19	1	7N-5313	1	GEAR						
C	20	1	7W-2236	1	BODY AS						
C	21	1	7N-5315	1	SEAL-INJECTOR						
C	22	1	7N-5314	1	DEFLECTOR-Spill						
C	23	1	7N-5307	1	CAGE-INJ CHECK VALVE						
C	24	1	7N-5321	1	SPRING-FUEL VALVE						
C	25	1	7C-0878	1	TIP AS						
					-OR-						
CA		1	7C-3015	1	TIP AS (MARKED L)						
					-OR-						
CA		1	7C-3016	1	TIP AS (MARKED M)						
					-OR-						
CA		1	7C-3017	1	TIP AS (MARKED H)						

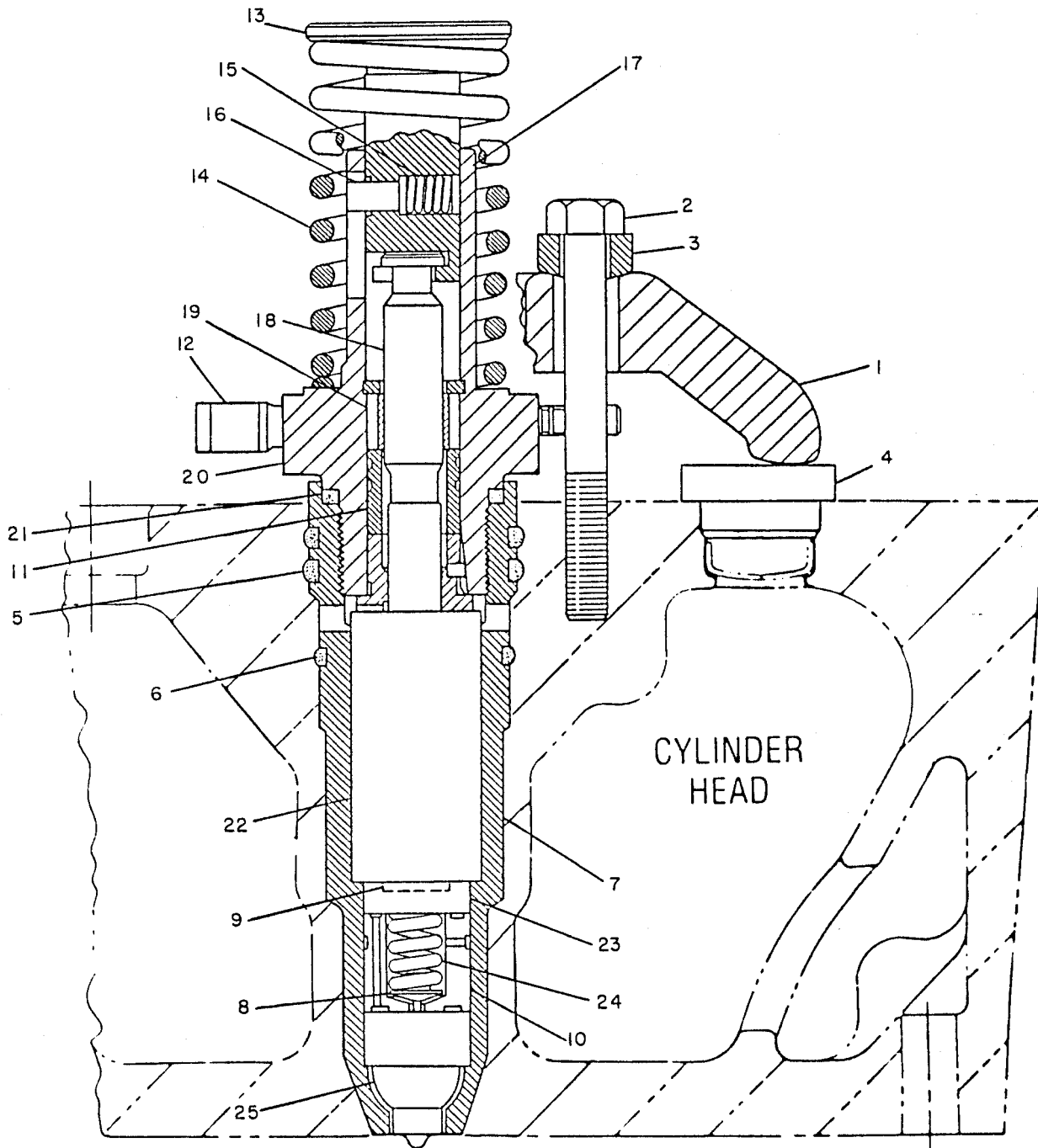
(LETTERS H, M & L DENOTE HIGH, MEDIUM, & MEDIUM FLOW RANGE)

A - NOT PART OF THIS GROUP
 C - CHANGE FROM PREVIOUS TYPE
 R - REMANUFACTURED PART MAY BE AVAILABLE

FUEL SYSTEM

2W-9578 PUMP GP-FUEL INJECTION (contd.)

i00648545



GRAPHIC #1

<END>

g00183099

FUEL SYSTEM

2W-9579 PUMP GP-FUEL INJECTION

S/N: 50Y676-1304

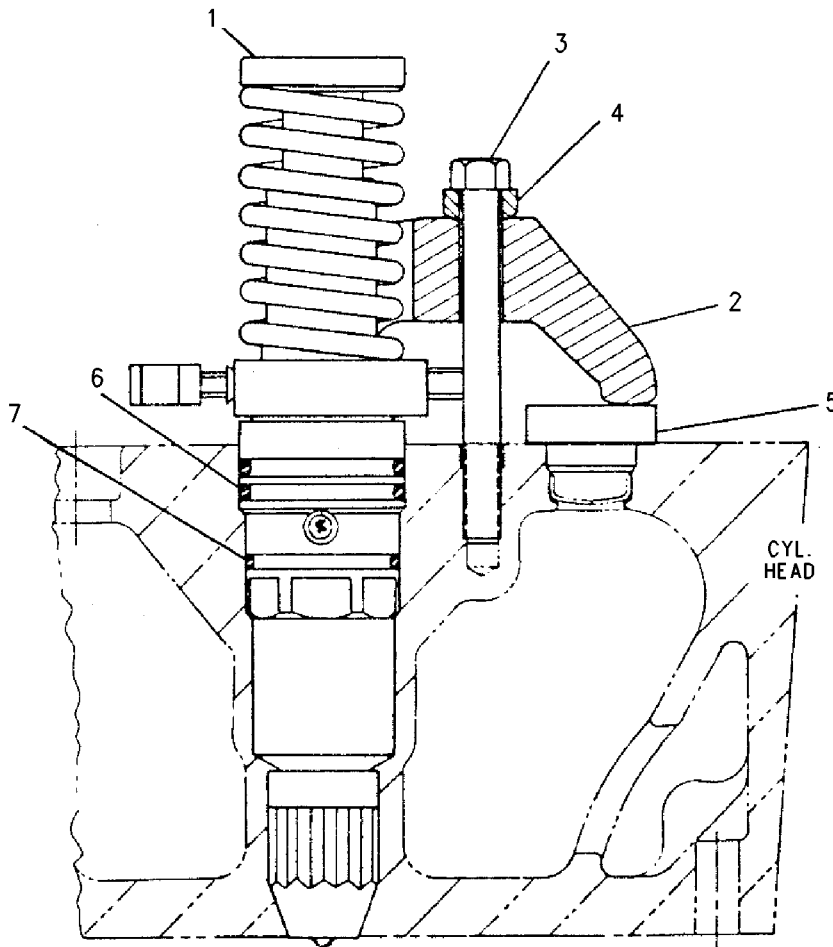
AN ATTACHMENT

SMCS-1251, 1290

i01801428

NOTE	REF NO	GRAPHIC REF	PART NUMBER	QTY	PART NAME						SEE PAGE
					1	2	3	4	5	6 (PRODUCT LEVEL)	
R	1	1	7C-0345	1	INJECTOR GP-FUEL						
	2	1	1N-4910	1	CLAMP-INJECTOR						
	3	1	4F-7226	1	BOLT (7/16-14X4-IN)						
	4	1	7N-5487	1	WASHER (12X22X9.5-MM THK)						
	5	1	7C-2615	1	PLUG						
	6	1	8J-8725	2	SEAL-O-RING						
	7	1	6V-1250	1	SEAL-O-RING						

R - REMANUFACTURED PART MAY BE AVAILABLE



GRAPHIC #1

<END>

g00735566

FUEL SYSTEM

7C-2233 PUMP GP-FUEL INJECTION

S/N: 50Y676-823

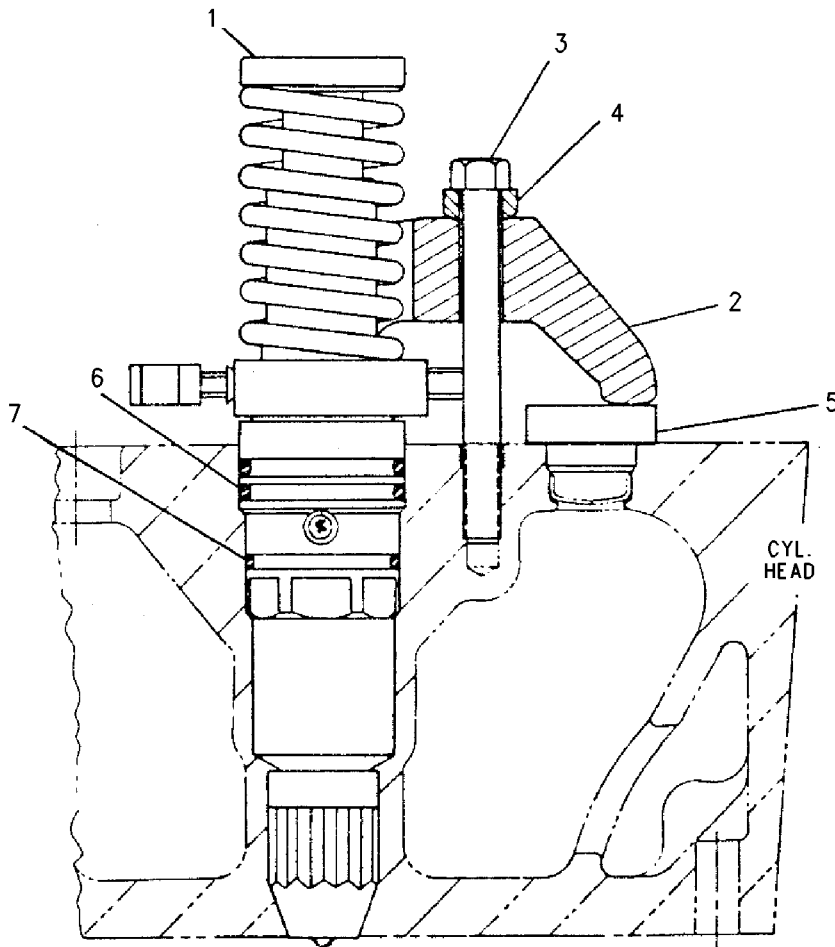
FOR USE WITH ENGINE RATINGS LESS THAN 1600-RPM

SMCS-1251, 1290

i01801543

NOTE	REF NO	GRAPHIC REF	PART NUMBER	QTY	PART NAME						SEE PAGE
					1	2	3	4	5	6 (PRODUCT LEVEL)	
R	1	1	7C-2239	1	INJECTOR GP-FUEL						
	2	1	1N-4910	1	CLAMP-INJECTOR						
	3	1	4F-7226	1	BOLT (7/16-14X4-IN)						
	4	1	7N-5487	1	WASHER (12X22X9.5-MM THK)						
	5	1	7C-2615	1	PLUG						
	6	1	8J-8725	2	SEAL-O-RING						
	7	1	6V-1250	1	SEAL-O-RING						

R - REMANUFACTURED PART MAY BE AVAILABLE



GRAPHIC #1

<END>

g00735566

FUEL SYSTEM

7C-3764 PUMP GP-FUEL INJECTION

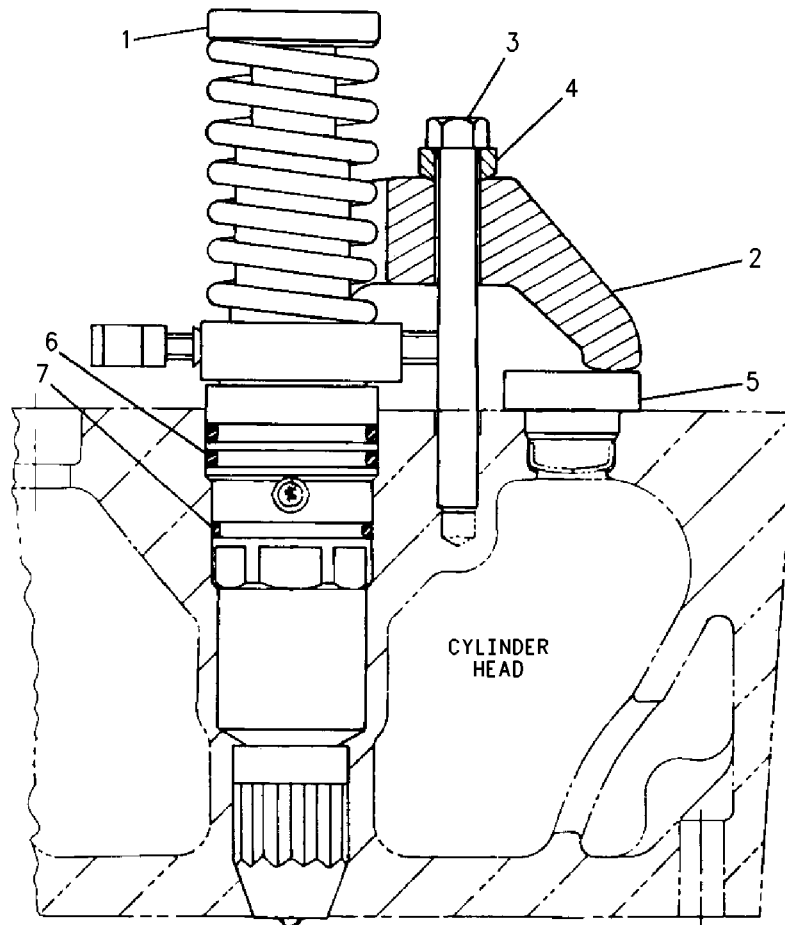
S/N: 66Z210-352

SMCS-1251, 1290

i01806553

NOTE	REF NO	GRAPHIC REF	PART NUMBER	QTY	PART NAME						SEE PAGE
					1	2	3	4	5	6	
R	1	1	7C-0341	1	INJECTOR GP-FUEL						
	2	1	1N-4910	1	CLAMP-INJECTOR						
	3	1	4F-7226	1	BOLT (7/16-14X4-IN)						
	4	1	7N-5487	1	WASHER (12X22X9.5-MM THK)						
	5	1	7C-2615	1	PLUG						
	6	1	8J-8725	2	SEAL-O-RING						
	7	1	6V-1250	1	SEAL-O-RING						

R - REMANUFACTURED PART MAY BE AVAILABLE



GRAPHIC #1

<END>

g00924056

FUEL SYSTEM

7W-1436 PUMP GP-FUEL INJECTION

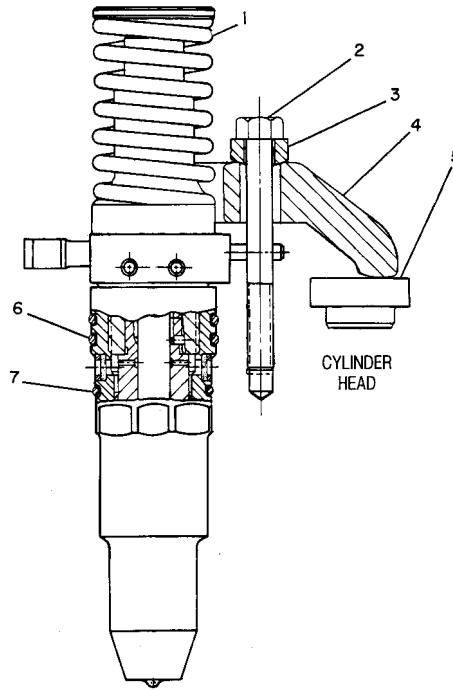
S/N: 50Y647

SMCS-1251, 1290

i00941321

NOTE	REF NO	GRAPHIC REF	PART NUMBER	QTY	PART NAME						SEE PAGE
					1	2	3	4	5	6 (PRODUCT LEVEL)	
CR	1	1	7W-1035	1	INJECTOR AS-FUEL						
	2	1	7F-8698	1	BOLT (7/16-14X3.5-IN)						
	3	1	7N-5487	1	WASHER (12X22X9.5-MM THK)						
	4	1	8N-8069	1	CLAMP-INJECTOR						
C	5	1	7C-2615	1	PLUG						
	6	1	8J-8725	2	SEAL-O-RING						
	7	1	6V-1250	1	SEAL-O-RING						

C - CHANGE FROM PREVIOUS TYPE
 R - REMANUFACTURED PART MAY BE AVAILABLE



GRAPHIC #1

<END>

g00099202

FUEL SYSTEM

7W-2062 PUMP GP-FUEL INJECTION

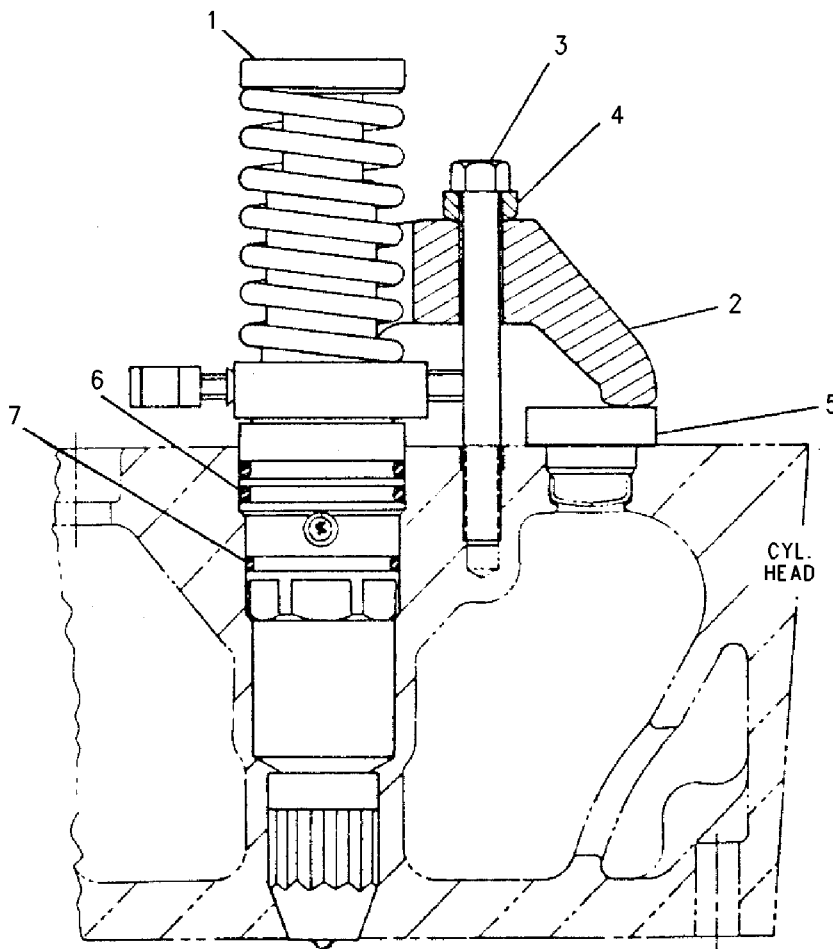
S/N: 50Y648-675
ALSO AN ATTACHMENT

SMCS-1251, 1290

i01801429

NOTE	REF NO	GRAPHIC REF	PART NUMBER	QTY	PART NAME						SEE PAGE
					1	2	3	4	5	6	
R	1	1	7W-2269	1	INJECTOR AS-FUEL						
	2	1	1N-4910	1	CLAMP-INJECTOR						
	3	1	4F-7226	1	BOLT (7/16-14X4-IN)						
	4	1	7N-5487	1	WASHER (12X22X9.5-MM THK)						
	5	1	8N-9944	1	PLUG						
	6	1	8J-8725	2	SEAL-O-RING						
	7	1	6V-1250	1	SEAL-O-RING						

R - REMANUFACTURED PART MAY BE AVAILABLE



GRAPHIC #1

<END>

g00735566

FUEL SYSTEM

7W-2063 PUMP GP-FUEL INJECTION

S/N: 50Y647-675

SMCS-1251, 1290

i00652278

NOTE	REF NO	GRAPHIC REF	PART NUMBER	QTY	PART NAME						SEE PAGE
					1	2	3	4	5	6 (PRODUCT LEVEL)	
	1	1	4F-7226	1	BOLT (7/16-14X4-IN)						
	2	1	7N-5487	1	WASHER (12X22X9.5-MM THK)						
	3	1	1N-4910	1	CLAMP-INJECTOR						
R	4	1	7W-8668	1	INJECTOR AS						
		1	2W-5200	1	NUT AS-INJECTION VALVE						
	5	1	7N-5325	1	CHECK-INJECTION VALVE						
	6	1	7N-5307	1	CAGE-INJ CHECK VALVE						
	7	1	7N-5321	1	SPRING-FUEL VALVE						
	8	1	7N-5312	1	CAGE-INJECTION SPRING						
	9	1	7W-2237	1	FOLLOWER						
	10	1	7N-5319	1	SEAT-VALVE SPRING						
	11	1	7N-5314	1	DEFLECTOR-SPILL						
	12	1	7N-5317	1	SPRING-STOP PIN						
	13	1	7N-5318	1	RETAINER-PIN						
	14	1	7N-5322	1	RETAINER-GEAR						
	15	1	7N-5315	1	SEAL-INJECTOR						
	16	1	7W-2236	1	BODY AS						
	17	1	7N-5309	1	RACK AS-INJECTOR						
	18	1	7N-5313	1	GEAR (23 TEETH)						
	19	1	7N-5320	1	PIN-INJECTION STOP						
	20	1	7W-0296	1	SPRING-INJECTOR						
	21	1	7W-1034	1	PLUNGER AS						
	22	1	7W-8667	1	TIP AS						
	23	1	6V-1250	1	SEAL-O-RING						
	24	1	8J-8725	2	SEAL-O-RING						
	25	1	8N-9944	1	PLUG						

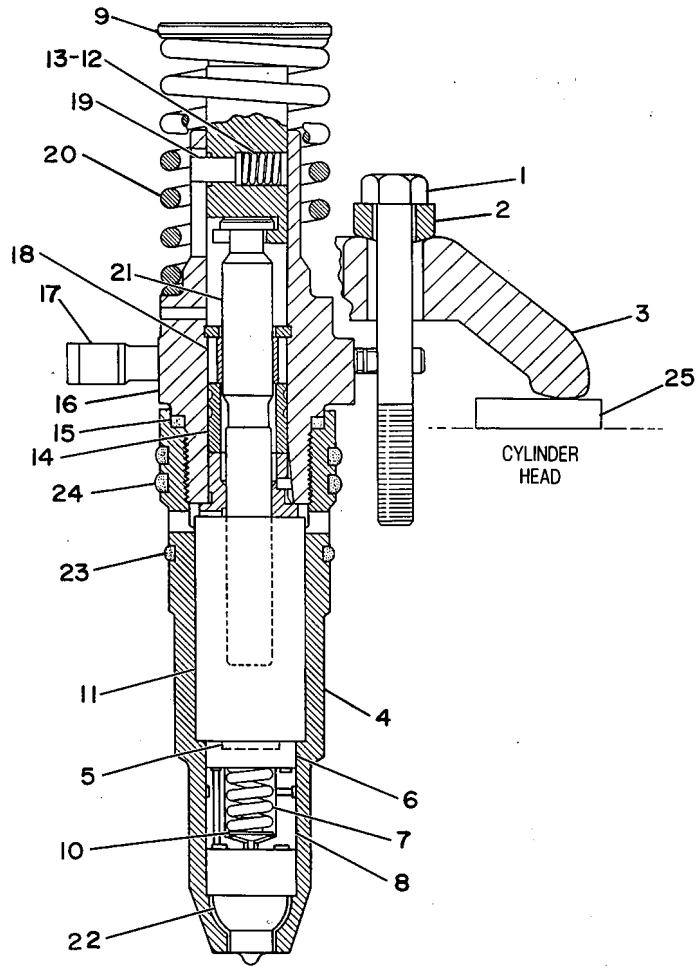
(LETTERS H, M, & L DENOTE HIGH, MEDIUM, & LOW FLOW RANGE)

R - REMANUFACTURED PART MAY BE AVAILABLE

FUEL SYSTEM

7W-2063 PUMP GP-FUEL INJECTION (contd.)

100652278



GRAPHIC #1

<END>

g00172434

FUEL SYSTEM

8N-7724 PUMP GP-FUEL INJECTION

S/N: 50Y647-1304

FOR USE WITH ENGINE RATINGS GREATER THAN 1600 RPM
AN ATTACHMENT

SMCS-1251, 1290

i00653108

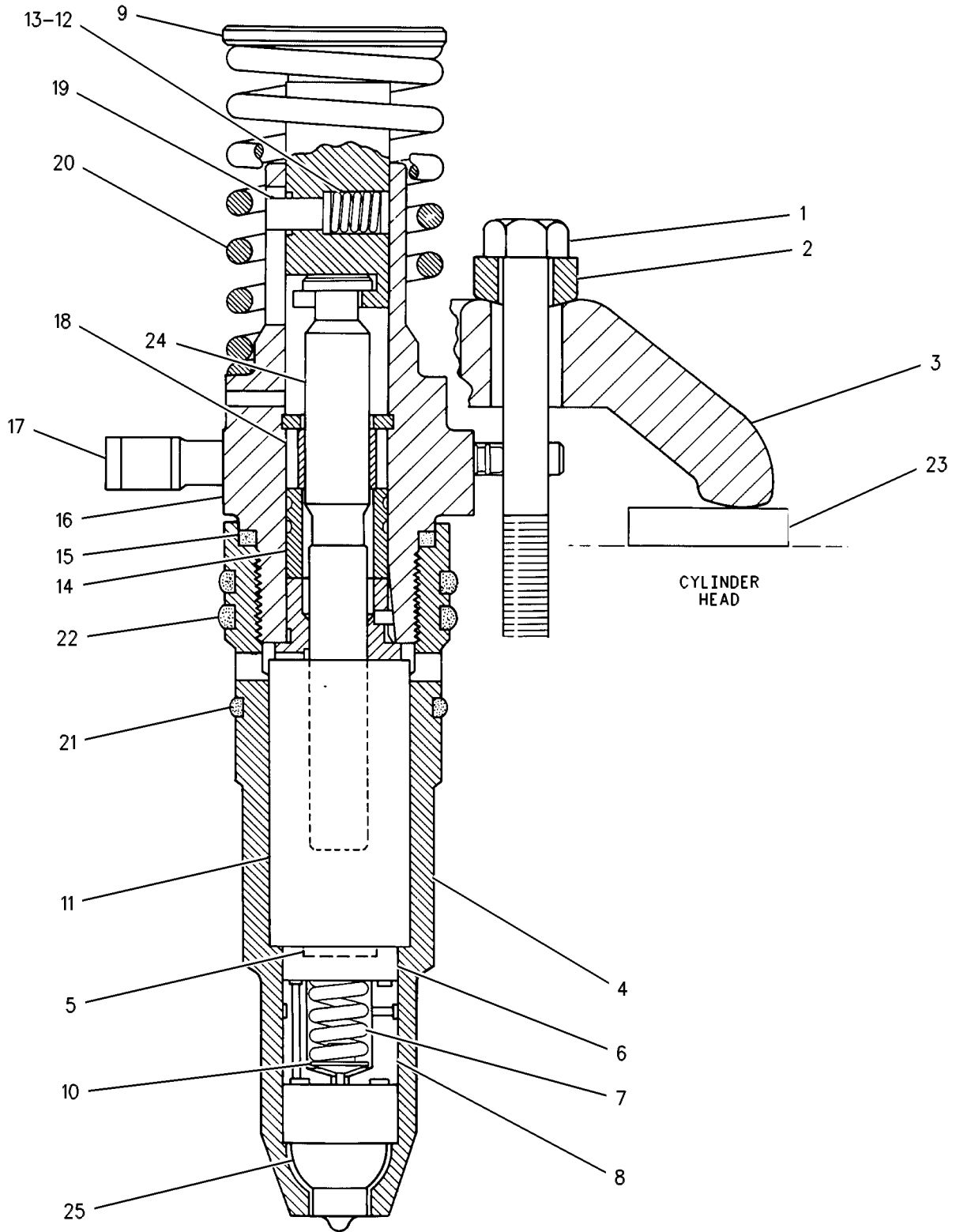
NOTE	REF NO	GRAPHIC REF	PART NUMBER	QTY	PART NAME						SEE PAGE
					1	2	3	4	5	6 (PRODUCT LEVEL)	
	1	1	7F-8698	1	BOLT (7/16-14X3.5-IN)						
	2	1	7N-5487	1	WASHER (12X22X9.5-MM THK)						
	3	1	8N-8069	1	CLAMP-INJECTOR						
C	4	1	2W-5200	1	NUT AS-INJECTION VALVE						
	5	1	7N-5325	1	CHECK-INJECTION VALVE						
	6	1	7N-5307	1	CAGE-INJ CHECK VALVE						
	7	1	5N-5321	1	GEAR-SPUR						
	8	1	7N-5312	1	CAGE-INJECTION SPRING						
	9	1	7N-5310	1	FOLLOWER-INJECTION						
	10	1	7N-5319	1	SEAT-VALVE SPRING						
	11	1	7N-5314	1	DEFLECTOR-Spill						
	12	1	7N-5317	1	SPRING-STOP PIN						
	13	1	7N-5318	1	RETAINER-PIN						
	14	1	7N-5322	1	RETAINER-GEAR						
	15	1	7N-5315	1	SEAL-INJECTOR						
	16	1	7N-5308	1	BODY AS-INJECTOR						
	17	1	7N-5309	1	RACK AS-INJECTOR						
	18	1	7N-5313	1	GEAR (23 TEETH)						
	19	1	7N-5320	1	PIN-INJECTION STOP						
	20	1	7N-5324	1	SPRING-PLUNGER						
	21	1	6V-1250	1	SEAL-O-RING						
C	22	1	8J-8725	2	SEAL-O-RING						
	23	1	7C-2615	1	PLUG						
CA	24	1	2W-7444	1	PLUNGER & BUSHING AS						
CA		1	2W-7445	1	PLUNGER & BUSHING AS						
CA		1	2W-7446	1	PLUNGER & BUSHING AS						
CA	25	1	2W-7447	1	TIP AS (MARKED L)						
					-OR-						
CA		1	2W-7448	1	TIP AS (MARKED M)						
					-OR-						
CA		1	2W-7449	1	TIP AS (MARKED H)						
					AVAILABLE REPAIR KIT(S):						
			1W-7668	1	KIT-INJECTOR						
					(PROVIDES BOTH TIP AS & PLUNGER AS FOR UNITS NOT MARKED L, M, OR H)						

A - NOT PART OF THIS GROUP
C - CHANGE FROM PREVIOUS TYPE

FUEL SYSTEM

8N-7724 PUMP GP-FUEL INJECTION (contd.)

i00653108



GRAPHIC #1

<END>

g00282040

FUEL SYSTEM

9Y-1796 PUMP GP-FUEL INJECTION

S/N: 50Y824-1136

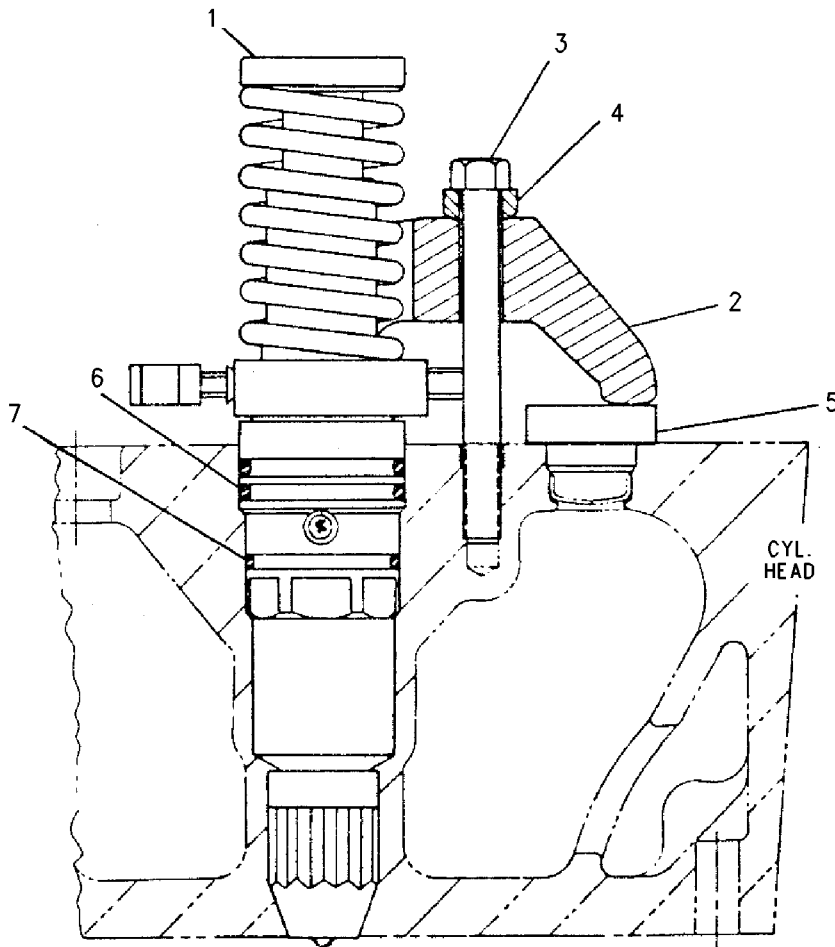
FOR USE WITH ENGINE RATINGS OF 1301 TO 1600 RPM

SMCS-1251, 1290

i01404185

NOTE	REF NO	GRAPHIC REF	PART NUMBER	QTY	PART NAME						SEE PAGE
					1	2	3	4	5	6	
R	1	1	7E-3382	1	INJECTOR GP-FUEL						
	2	1	1N-4910	1	CLAMP-INJECTOR						
	3	1	4F-7226	1	BOLT (7/16-14X4-IN)						
	4	1	7N-5487	1	WASHER (12X22X9.5-MM THK)						
	5	1	7C-2615	1	PLUG						
	6	1	8J-8725	2	SEAL-O-RING						
	7	1	6V-1250	1	SEAL-O-RING						

R - REMANUFACTURED PART MAY BE AVAILABLE



GRAPHIC #1

<END>

g00735566

FUEL SYSTEM

9Y-1796 PUMP GP-FUEL INJECTION

S/N: 50Y1137-1304

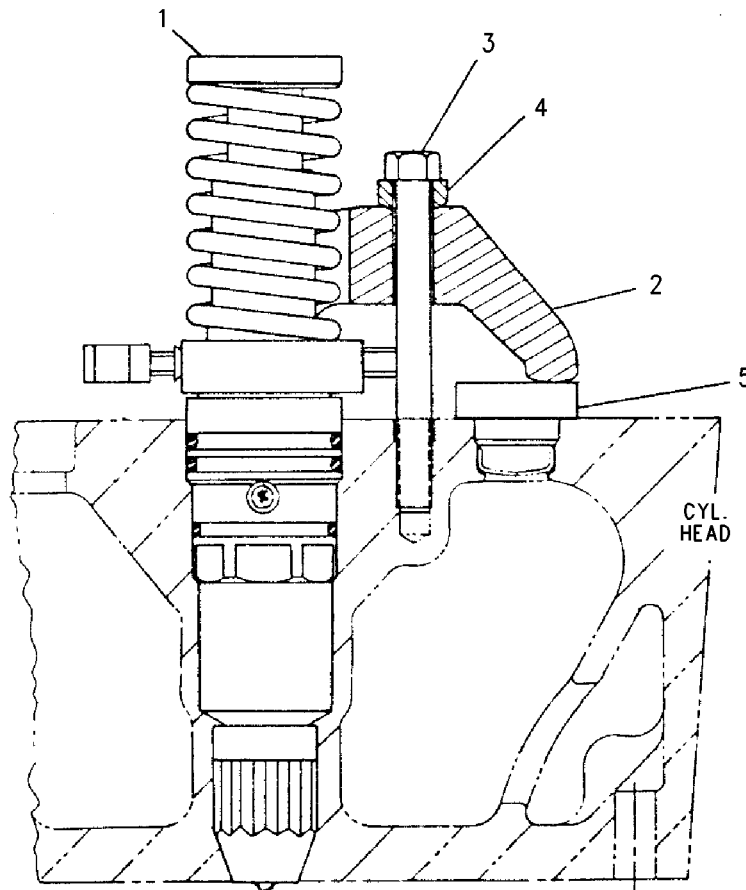
FOR USE WITH ENGINE RATINGS OF 1301 TO 1600 RPM

SMCS-1251, 1290

i02055469

NOTE	REF NO	GRAPHIC REF	PART NUMBER	QTY	PART NAME						SEE PAGE
					1	2	3	4	5	6 (PRODUCT LEVEL)	
CYR	1	1	4P-9076	1	INJECTOR GP-FUEL						1167
	2	1	1N-4910	1	CLAMP-INJECTOR						
	3	1	4F-7226	1	BOLT (7/16-14X4-IN)						
	4	1	7N-5487	1	WASHER (12X22X9.5-MM THK)						
	5	1	234-4182	1	PLUG						

C - CHANGE FROM PREVIOUS TYPE
 R - REMANUFACTURED PART MAY BE AVAILABLE
 Y - SEPARATE ILLUSTRATION



GRAPHIC #1

<END>

g00735561

FUEL SYSTEM

9Y-6988 PUMP GP-FUEL INJECTION

S/N: 50Y647-1304

FOR USE WITH ENGINE RATINGS GREATER THAN 1600-RPM

AN ATTACHMENT

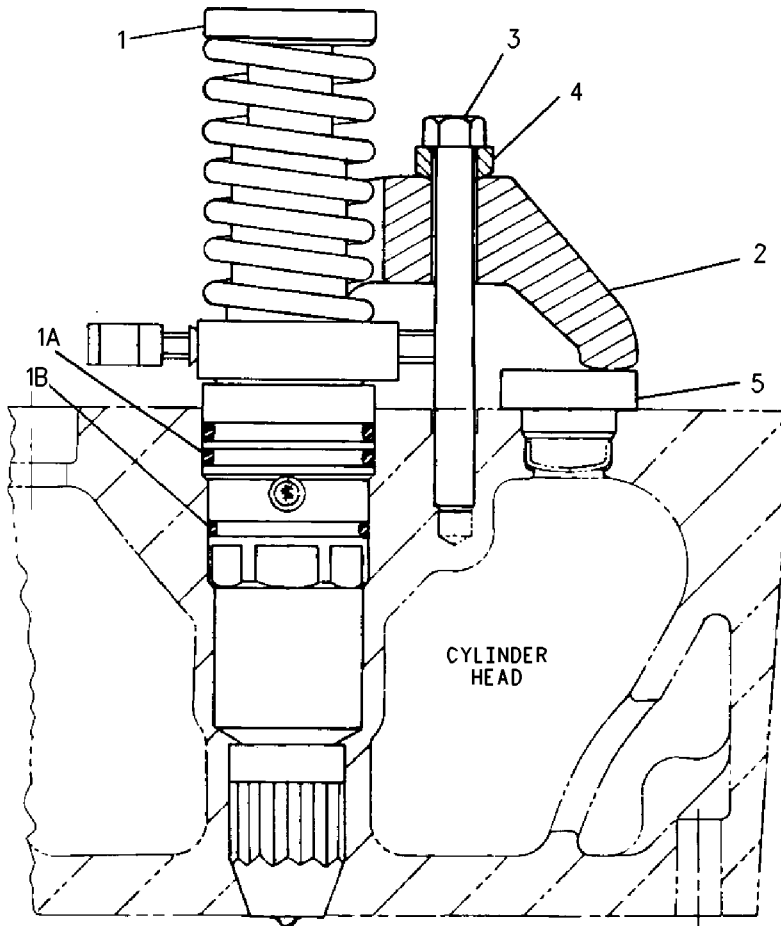
TYPE 1

SMCS-1251, 1290

i02379756

NOTE	REF NO	GRAPHIC REF	PART NUMBER	QTY	PART NAME						SEE PAGE
					1	2	3	4	5	6 (PRODUCT LEVEL)	
R	1	1	4P-9077	1	INJECTOR GP-FUEL						
	1A	1	194-9584	2	SEAL-O-RING						
	1B	1	6V-1250	1	SEAL-O-RING						
	2	1	1N-4910	1	CLAMP-INJECTOR						
	3	1	4F-7226	1	BOLT (7/16-14X4-IN)						
	4	1	7N-5487	1	WASHER (12X22X9.5-MM THK)						
	5	1	7C-2615	1	PLUG						

R - REMANUFACTURED PART MAY BE AVAILABLE



GRAPHIC #1

<END>

g00768022

FUEL SYSTEM

9Y-6988 PUMP GP-FUEL INJECTION

S/N: 50Y647-1304

FOR USE WITH ENGINE RATINGS GREATER THAN 1600-RPM

AN ATTACHMENT

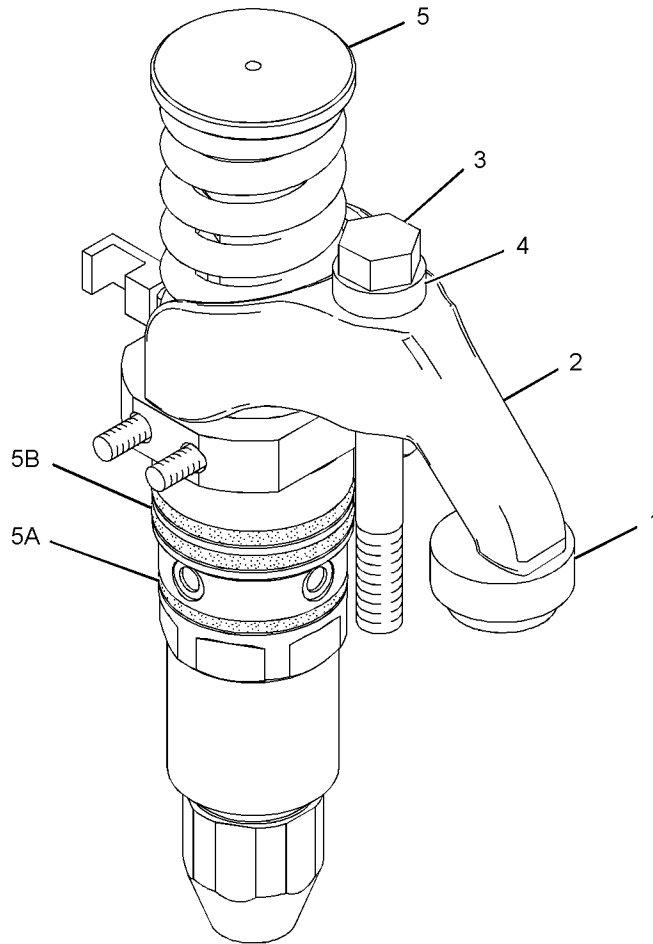
TYPE 2

SMCS-1251, 1290

i03421103

NOTE	REF NO	GRAPHIC REF	PART NUMBER	QTY	PART NAME						SEE PAGE
					1	2	3	4	5	6 (PRODUCT LEVEL)	
	1	1	234-4182	1	PLUG						
	2	1	1N-4910	1	CLAMP-INJECTOR						
	3	1	4F-7226	1	BOLT (7/16-14X4-IN)						
	4	1	7N-5487	1	WASHER (12X22X9.5-MM THK)						
R	5	1	4P-9077	1	INJECTOR GP-FUEL						
	5A	1	6V-1250	1	SEAL-O-RING						
	5B	1	194-9584	2	SEAL-O-RING						

R - REMANUFACTURED PART MAY BE AVAILABLE



GRAPHIC #1

<END>

g01913577

FUEL SYSTEM

9Y-7841 PUMP GP-FUEL INJECTION

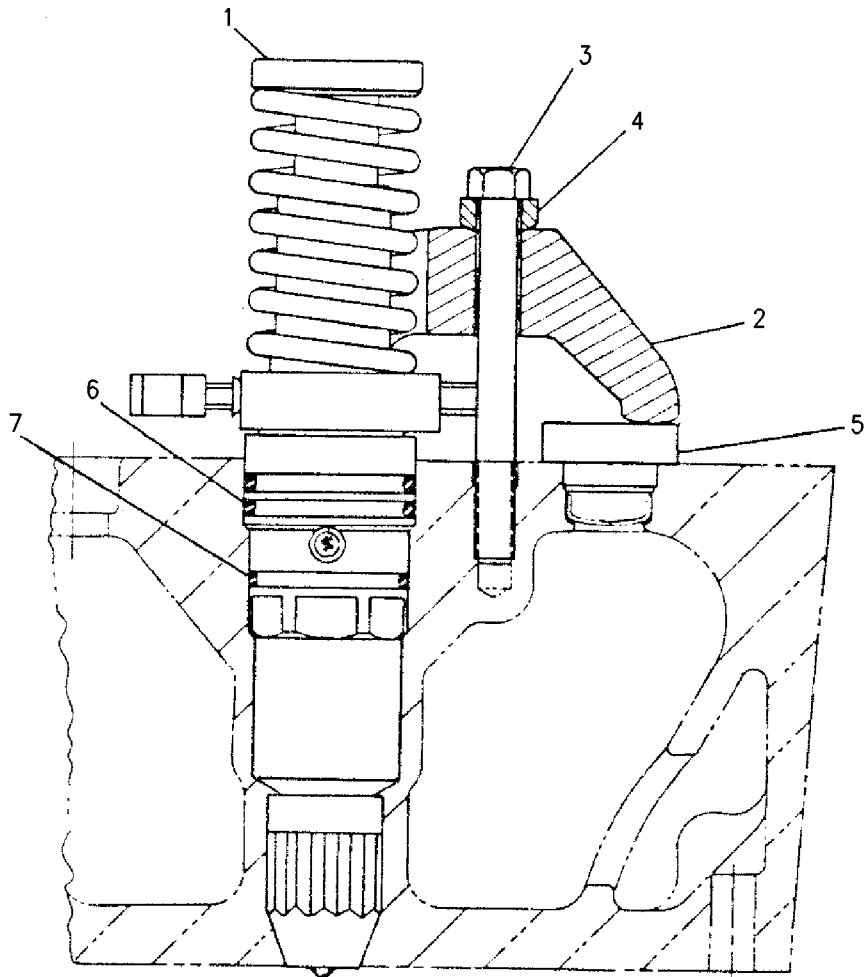
S/N: 66Z353-512

SMCS-1251, 1290

i01318902

NOTE	REF NO	GRAPHIC REF	PART NUMBER	QTY	PART NAME						SEE PAGE
					1	2	3	4	5	6	
R	1	1	7E-3381	1	INJECTOR GP-FUEL						
	2	1	1N-4910	1	CLAMP-INJECTOR						
	3	1	4F-7226	1	BOLT (7/16-14X4-IN)						
	4	1	7N-5487	1	WASHER (12X22X9.5-MM THK)						
	5	1	7C-2615	1	PLUG						
	6	1	8J-8725	2	SEAL-O-RING						
	7	1	6V-1250	1	SEAL-O-RING						

R - REMANUFACTURED PART MAY BE AVAILABLE



GRAPHIC #1

<END>

g00698247

FUEL SYSTEM

9Y-7841 PUMP GP-FUEL INJECTION

S/N: 66Z513-578

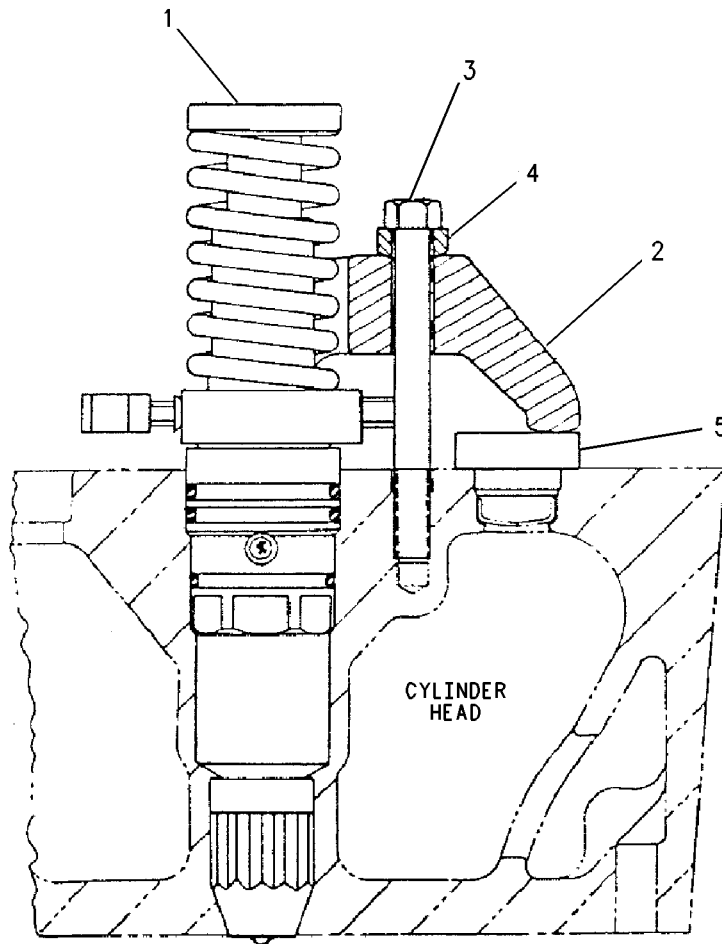
SMCS-1251, 1290

i02171419

NOTE	REF NO	GRAPHIC REF	PART NUMBER	QTY	PART NAME						SEE PAGE
					1	2	3	4	5	6 (PRODUCT LEVEL)	
CR	1	1	4P-9075	1	INJECTOR GP-FUEL						
		1	194-9584	2	SEAL-O-RING						
		1	5P-8065	1	SEAL-O-RING						
		1	6V-1250	1	SEAL-O-RING						
	2	1	1N-4910	1	CLAMP-INJECTOR						
	3	1	4F-7226	1	BOLT (7/16-14X4-IN)						
	4	1	7N-5487	1	WASHER (12X22X9.5-MM THK)						
	5	1	234-4182	1	PLUG						

C - CHANGE FROM PREVIOUS TYPE

R - REMANUFACTURED PART MAY BE AVAILABLE



GRAPHIC #1

<END>

g00763286

FUEL SYSTEM

7N-8599 PUMP GP-FUEL PRIMING

S/N: 50Y647; 66Z190-206

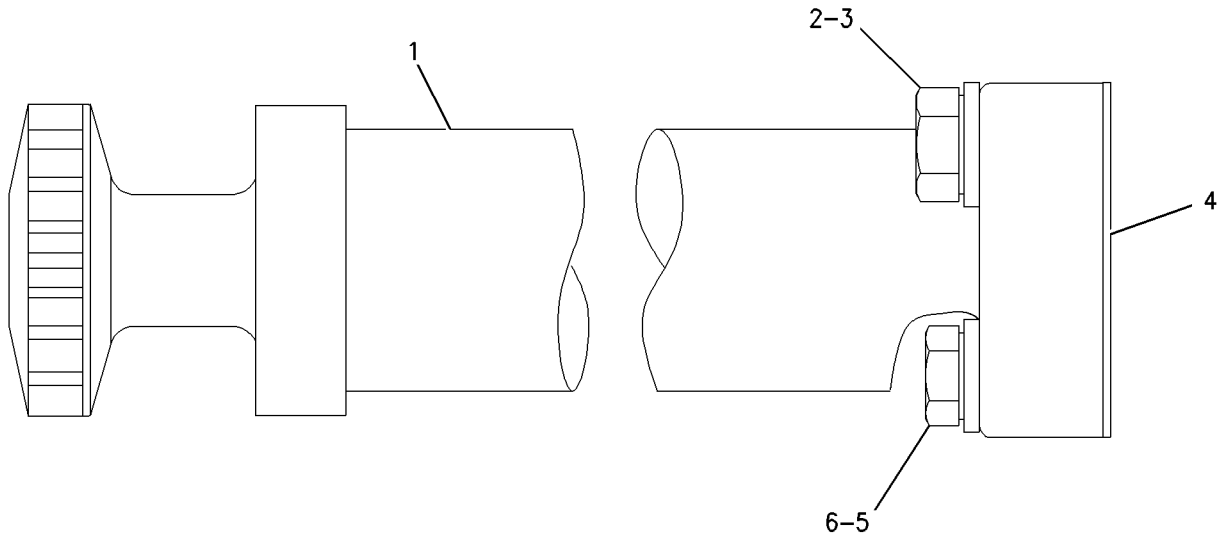
PART OF 7W-9465, 7W-9466, 8N-9853 PUMP GP-FUEL PRIMING
ALSO AN ATTACHMENT

SMCS-1258

i03129061

NOTE	REF NO	GRAPHIC REF	PART NUMBER	QTY	PART NAME						SEE PAGE
					1	2	3	4	5	6 (PRODUCT LEVEL)	
C	1	1	2W-2606	1	PUMP AS-FUEL PRIMING						
	2	1	7B-2742	1	BOLT (1/4-20X1.25-IN)						
	3	1	5P-0537	1	WASHER-HARD (7.2X14.5X2-MM THK)						
	4	1	9Y-8389	1	GASKET (FUEL PRIMING PUMP)						
	5	1	9M-1974	1	WASHER-HARD (8.8X16X2-MM THK)						
	6	1	1B-7182	1	BOLT (5/16-18X1.25-IN)						

C - CHANGE FROM PREVIOUS TYPE



GRAPHIC #1

<END>

g00698268

FUEL SYSTEM

7W-9465 PUMP GP-FUEL PRIMING-RH AN ATTACHMENT TYPE 1

SMCS - 1258

i01337904

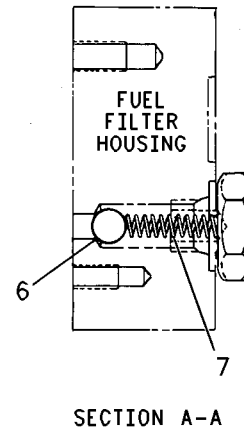
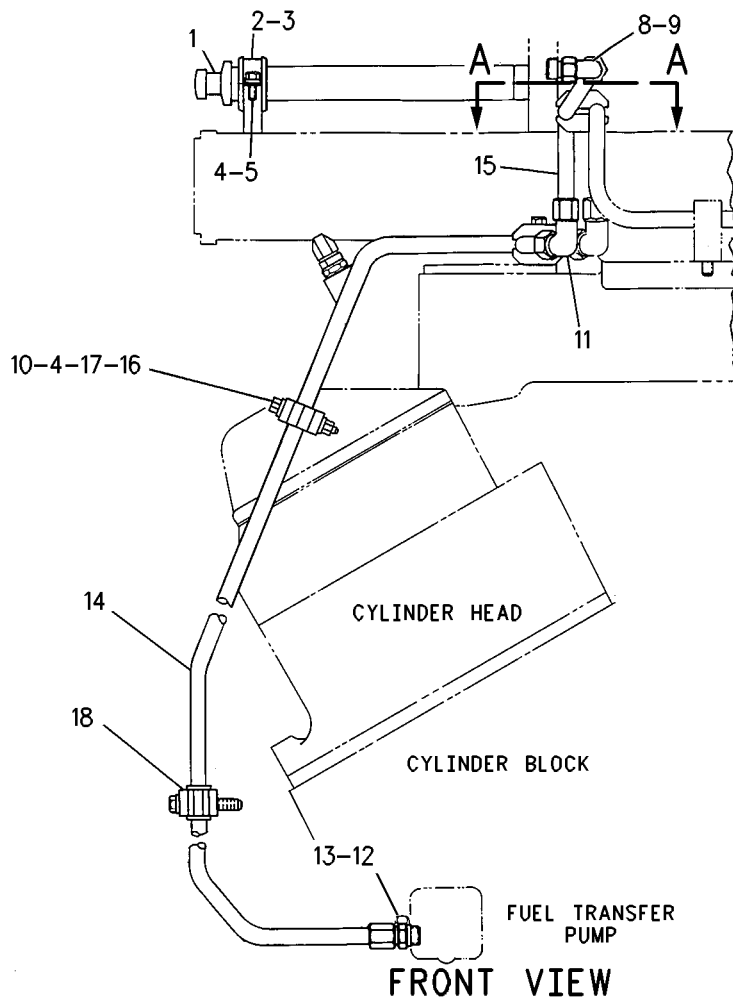
NOTE	REF NO	GRAPHIC REF	PART NUMBER	QTY	PART NAME						SEE PAGE
					1	2	3	4	5	6 (PRODUCT LEVEL)	
Y	1	1	7N-8599	1	PUMP GP-FUEL PRIMING						1234
	2	1	2H-9523	1	GROMMET						
	3	1	8N-3480	1	CLIP						
	4	1	5M-2894	4	WASHER-HARD (10.2X18.5X2.5-MM THK)						
	5	1	0L-1351	2	BOLT (3/8-16X0.875-IN)						
	6	1	4B-9782	1	BALL						
	7	1	9N-1752	1	SPRING						
	8	1	1P-7625	1	ELBOW						
	9	1	3K-0360	1	SEAL-O-RING						
	10	1	8N-2755	8	CLAMP						
	11	1	5P-4900	1	ELBOW-FLARED						
	12	1	6V-4362	1	CONNECTOR						
	13	1	3J-1907	1	SEAL-O-RING						
	14	1	1N-4640	1	TUBE AS						
	15	1	8N-6325	1	TUBE AS						
	16	1	0L-2070	1	BOLT (3/8-16X2.25-IN)						
	17	1	1D-4717	1	NUT (3/8-16-THD)						
	18	1	9Y-0047	2	CLAMP						
		1	7C-3036	2	GROMMET						

Y - SEPARATE ILLUSTRATION

FUEL SYSTEM

7W-9465 PUMP GP-FUEL PRIMING (contd.)

i01337904



GRAPHIC #1

<END>

g00707598

FUEL SYSTEM

7W-9465 PUMP GP-FUEL PRIMING-RH AN ATTACHMENT TYPE 2

SMCS - 1258

i02634216

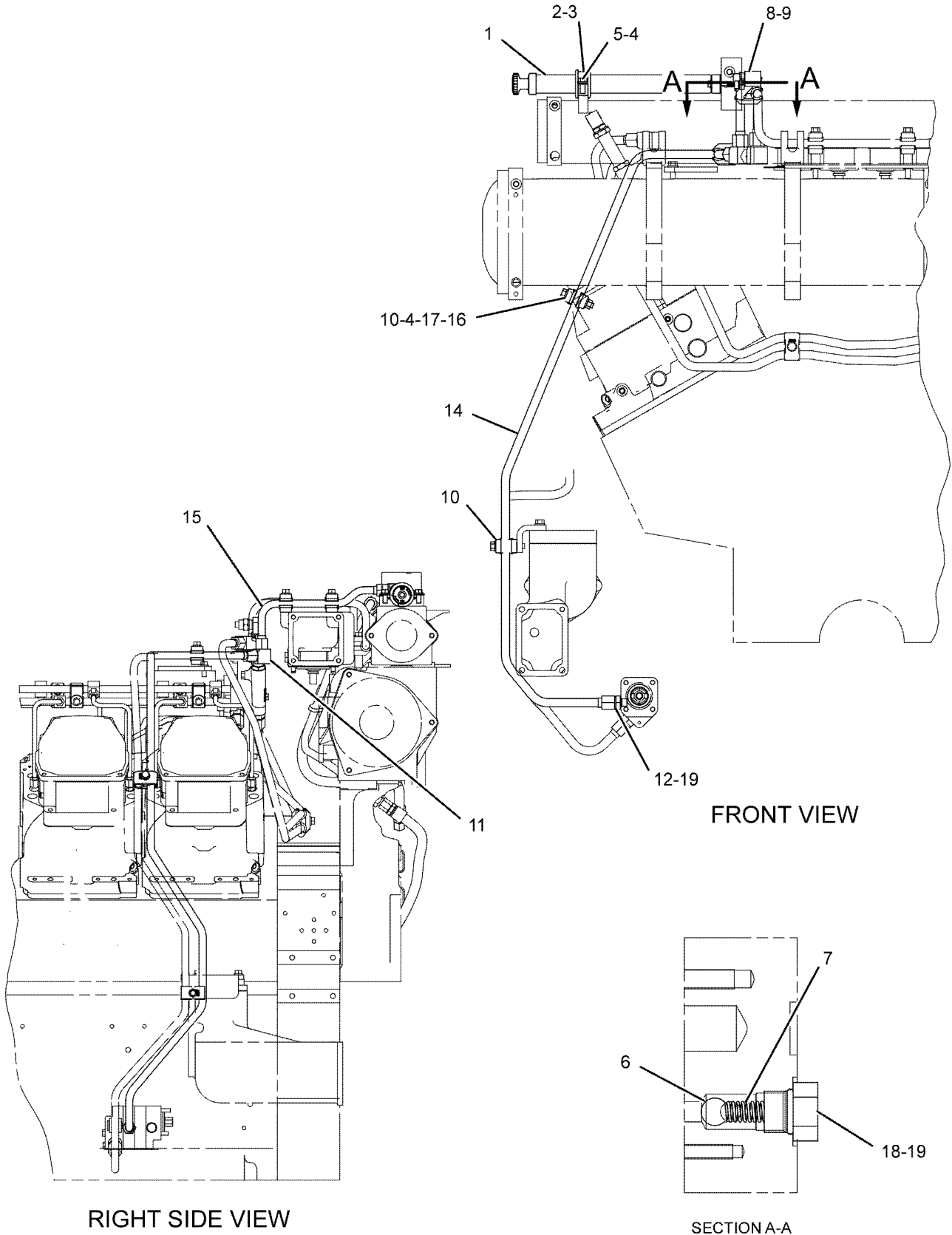
NOTE	REF NO	GRAPHIC REF	PART NUMBER	QTY	PART NAME	SEE PAGE
					1 2 3 4 5 6 (PRODUCT LEVEL)	
Y	1	1	7N-8599	1	PUMP GP-FUEL PRIMING	1234
	2	1	2H-9523	1	GROMMET	
	3	1	8N-3480	1	CLIP	
	4	1	5M-2894	4	WASHER-HARD (10.2X18.5X2.5-MM THK)	
	5	1	0L-1351	2	BOLT (3/8-16X0.875-IN)	
	6	1	4B-9782	1	BALL	
	7	1	9N-1752	1	SPRING	
	8	1	1P-7625	1	ELBOW	
	9	1	8L-2786	1	SEAL-O-RING	
C	10	1	4P-0693	10	CLAMP AS	
					(EACH INCLUDES)	
		1	108-1434	2	GROMMET	
	11	1	250-1496	1	ELBOW	
	12	1	6V-4362	1	CONNECTOR	
	14	1	1N-4640	1	TUBE AS	
	15	1	237-2715	1	TUBE AS	
	16	1	0L-2070	1	BOLT (3/8-16X2.25-IN)	
C	17	1	9S-8752	1	NUT-FULL (3/8-16-THD)	
	18	1	9S-4191	1	PLUG (9/16-18-THD)	
	19	1	6V-5049	2	SEAL-O-RING	

C - CHANGE FROM PREVIOUS TYPE
Y - SEPARATE ILLUSTRATION

FUEL SYSTEM

7W-9465 PUMP GP-FUEL PRIMING (contd.)

i02634216



GRAPHIC #1

<END>

g01075148

FUEL SYSTEM

7W-9466 PUMP GP-FUEL PRIMING-LH AN ATTACHMENT

SMCS - 1258

i03874017

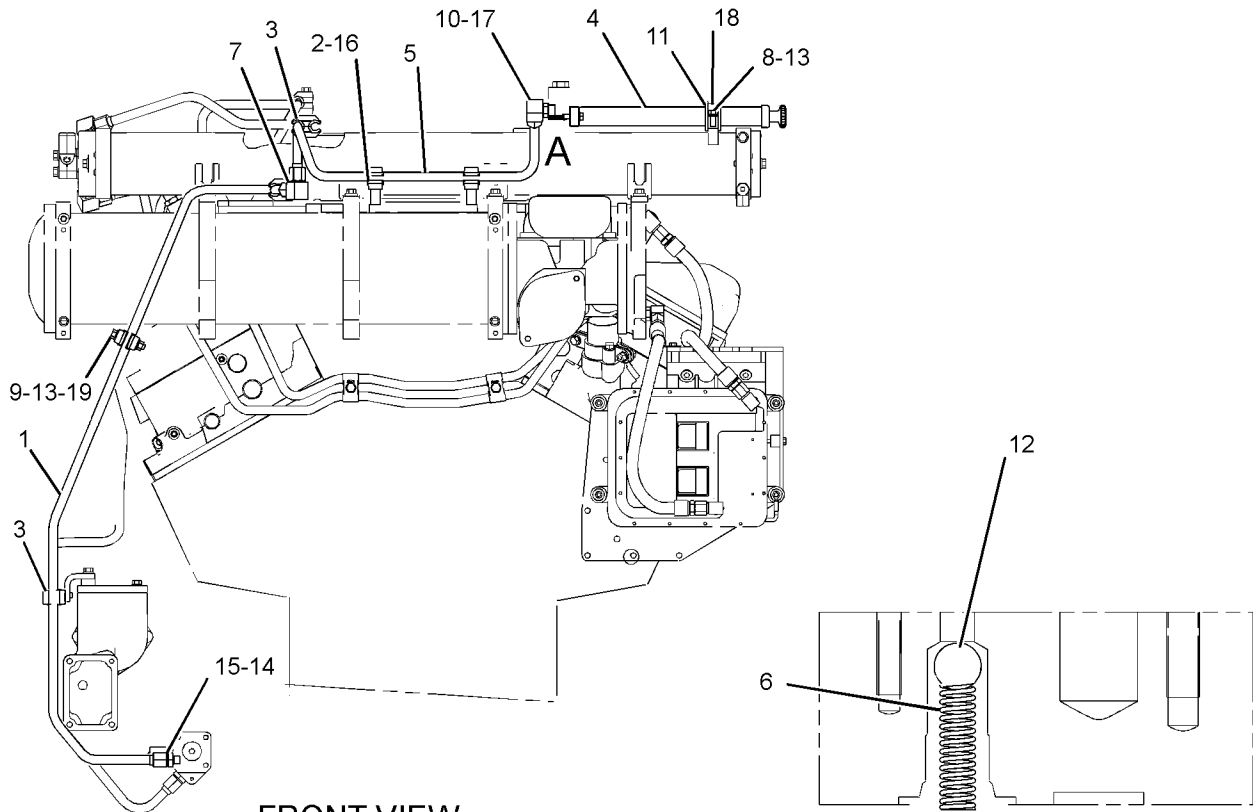
NOTE	REF NO	GRAPHIC REF	PART NUMBER	QTY	PART NAME	SEE PAGE
					1 2 3 4 5 6 (PRODUCT LEVEL)	
	1	1	1N-4640	1	TUBE AS	
	2	1	4P-0692	4	CLAMP AS	
					(EACH INCLUDES)	
		1	108-1434	1	GROMMET	
	3	1	4P-0693	10	CLAMP AS	
					(EACH INCLUDES)	
		1	108-1434	1	GROMMET	
Y	4	1	<i>7N-8599</i>	1	PUMP GP-FUEL PRIMING	1234
	5	1	237-2718	1	TUBE AS	
	6	1	9N-1752	1	SPRING	
	7	1	250-1496	1	ELBOW	
	8	1	0L-1351	2	BOLT (3/8-16X0.875-IN)	
	9	1	0L-2070	1	BOLT (3/8-16X2.25-IN)	
	10	1	1P-7625	1	ELBOW (90-DEG)	
	11	1	2H-9523	1	GROMMET	
	12	1	4B-9782	1	BALL	
	13	1	5M-2894	4	WASHER-HARD (10.2X18.5X2.5-MM THK)	
	14	1	6V-4362	1	CONNECTOR	
	15	1	6V-5049	1	SEAL-O-RING	
	16	1	7K-3377	2	PIPE	
	17	1	8L-2786	1	SEAL-O-RING	
	18	1	8N-3480	1	CLIP	
	19	1	9S-8752	1	NUT-FULL (3/8-16-THD)	

Y - SEPARATE ILLUSTRATION

FUEL SYSTEM

7W-9466 PUMP GP-FUEL PRIMING (contd.)

i03874017



FRONT VIEW

VIEW OF AREA A

GRAPHIC #1

<END>

g01319914

FUEL SYSTEM

8N-9853 PUMP GP-FUEL PRIMING

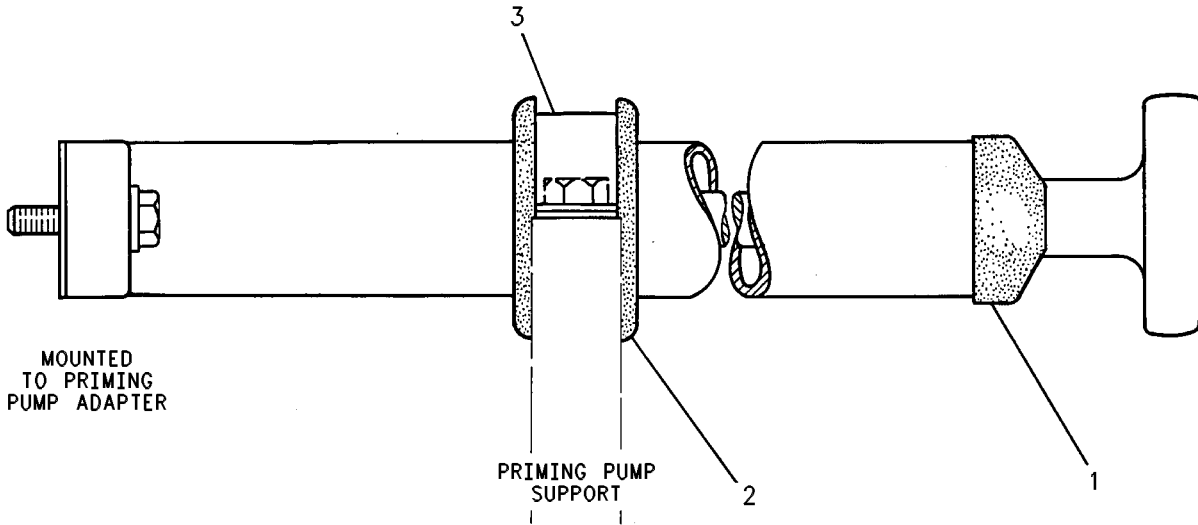
S/N: 50Y647; 66Z190-206

SMCS - 1258

i01002333

NOTE	REF NO	GRAPHIC REF	PART NUMBER	QTY	PART NAME						SEE PAGE
					1	2	3	4	5	6 (PRODUCT LEVEL)	
Y	1	1	7N-8599	1	PUMP GP-FUEL PRIMING						1234
	2	1	2H-9523	1	GROMMET						
	3	1	8N-3480	1	CLIP						

Y - SEPARATE ILLUSTRATION



GRAPHIC #1

<END>

g00515475

FUEL SYSTEM

169-8615 PUMP GP-FUEL TRANSFER*R

ONE SECTION GEAR

PART OF 8N-6151 PUMP GP-FUEL TRANSFER

SMCS-1256

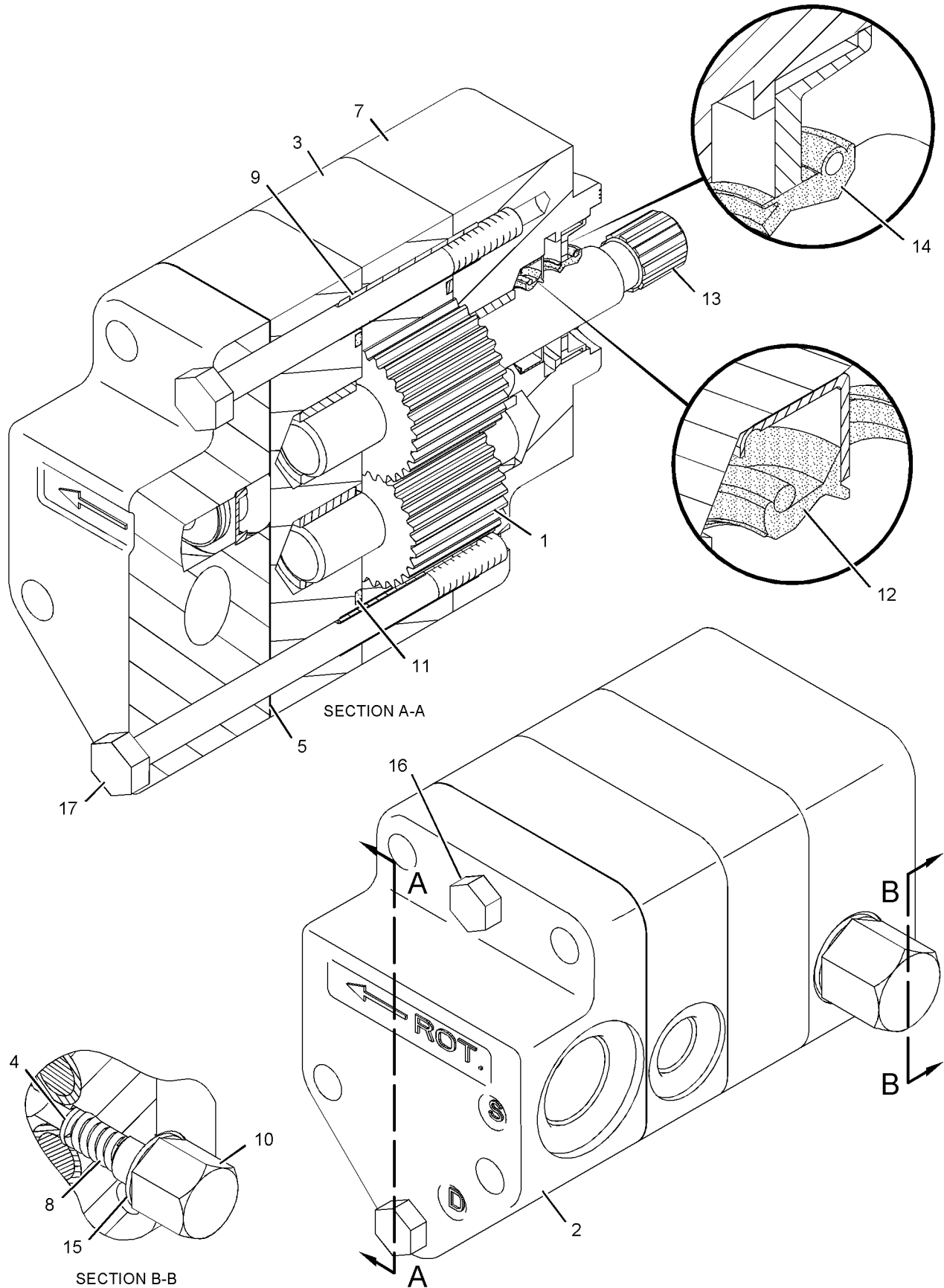
i03536840

NOTE	REF NO	GRAPHIC REF	PART NUMBER	QTY	PART NAME						SEE PAGE
					1	2	3	4	5	6 (PRODUCT LEVEL)	
	1	1	1W-4003	1	GEAR AS- IDLER						
	2	1	1W-4005	1	HEAD AS						
		1	1W-4009	1	VALVE AS (FUEL)						
	3	1	1W-4006	1	CASING						
	4	1	1W-4007	1	POPPET-VALVE (RELIEF)						
	5	1	1W-4008	1	GASKET						
	6	1	1W-4010	1	PLATE AS						
		1	7C-2870	2	BUSHING-TERMINAL						
	7	1	1W-4121	1	BRACKET AS						
		1	7C-2870	2	BUSHING-TERMINAL						
	8	1	1W-4655	1	SPRING-RELIEF VALVE						
	9	1	1W-6935	2	SLEEVE						
	10	1	1W-6936	1	CAP						
	11	1	6V-0895	2	SEAL-O-RING						
	12	1	112-3597	1	SEAL-LIP TYPE						
	13	1	124-9437	1	SHAFT AS-DRIVE						
	14	1	169-8617	1	SEAL-LIP TYPE						
	15	1	7W-3556	1	WASHER (14.27X20.57X1.5-MM THK)						
	16	1	8F-8178	1	BOLT (1/4-20X3.25-IN)						
	17	1	8S-4710	1	BOLT (1/4-20X4-IN)						

FUEL SYSTEM

169-8615 PUMP GP-FUEL TRANSFER (contd.)

103536840



GRAPHIC #1

<END>

g01036070

FUEL SYSTEM

1N-4478 PUMP GP-FUEL TRANSFER*R

ONE SECTION GEAR

PART OF 8N-6151 PUMP GP-FUEL TRANSFER

SMCS - 1256

i03531907

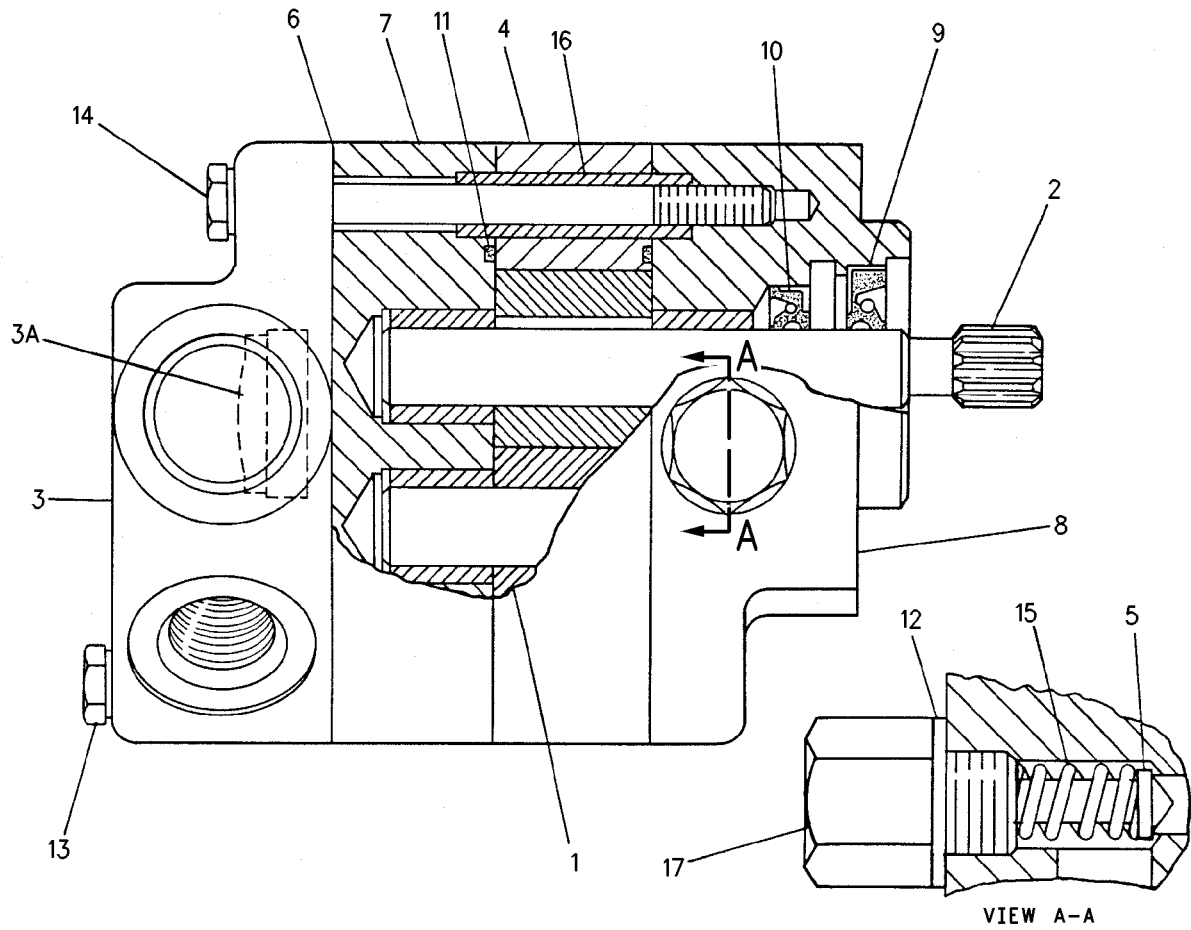
NOTE	REF NO	GRAPHIC REF	PART NUMBER	QTY	PART NAME						SEE PAGE
					1	2	3	4	5	6 (PRODUCT LEVEL)	
	1	1	1W-4003	1	GEAR AS-IDLER						
	2	1	124-9437	1	SHAFT AS-DRIVE						
	3	1	1W-4005	1	HEAD AS						
	3A	1	1W-4009	1	VALVE AS (FUEL)						
	4	1	1W-4006	1	CASING						
	5	1	1W-4007	1	POPPET-VALVE (RELIEF)						
	6	1	1W-4008	1	GASKET						
C	7	1	1W-4010	1	PLATE AS						
		1	7C-2870	2	BUSHING-TERMINAL						
C	8	1	1W-4121	1	BRACKET AS						
		1	7C-2870	2	BUSHING-TERMINAL						
	9	1	112-3596	1	SEAL-LIP TYPE						
	10	1	112-3597	1	SEAL-LIP TYPE						
	11	1	6V-0895	2	SEAL-O-RING						
C	12	1	7W-3556	1	WASHER (14.27X20.57X1.5-MM THK)						
	13	1	8S-4710	1	BOLT (1/4-20X4-IN)						
	14	1	8F-8178	1	BOLT (1/4-20X3.25-IN)						
	15	1	1W-4655	1	SPRING-RELIEF VALVE						
	16	1	1W-6935	2	SLEEVE						
	17	1	1W-6936	1	CAP						

C - CHANGE FROM PREVIOUS TYPE

FUEL SYSTEM

1N-4478 PUMP GP-FUEL TRANSFER (contd.)

103531907



GRAPHIC #1

<END>

g00717276

FUEL SYSTEM

313-7770 PUMP GP-FUEL TRANSFER-1-SECTION GEAR*R

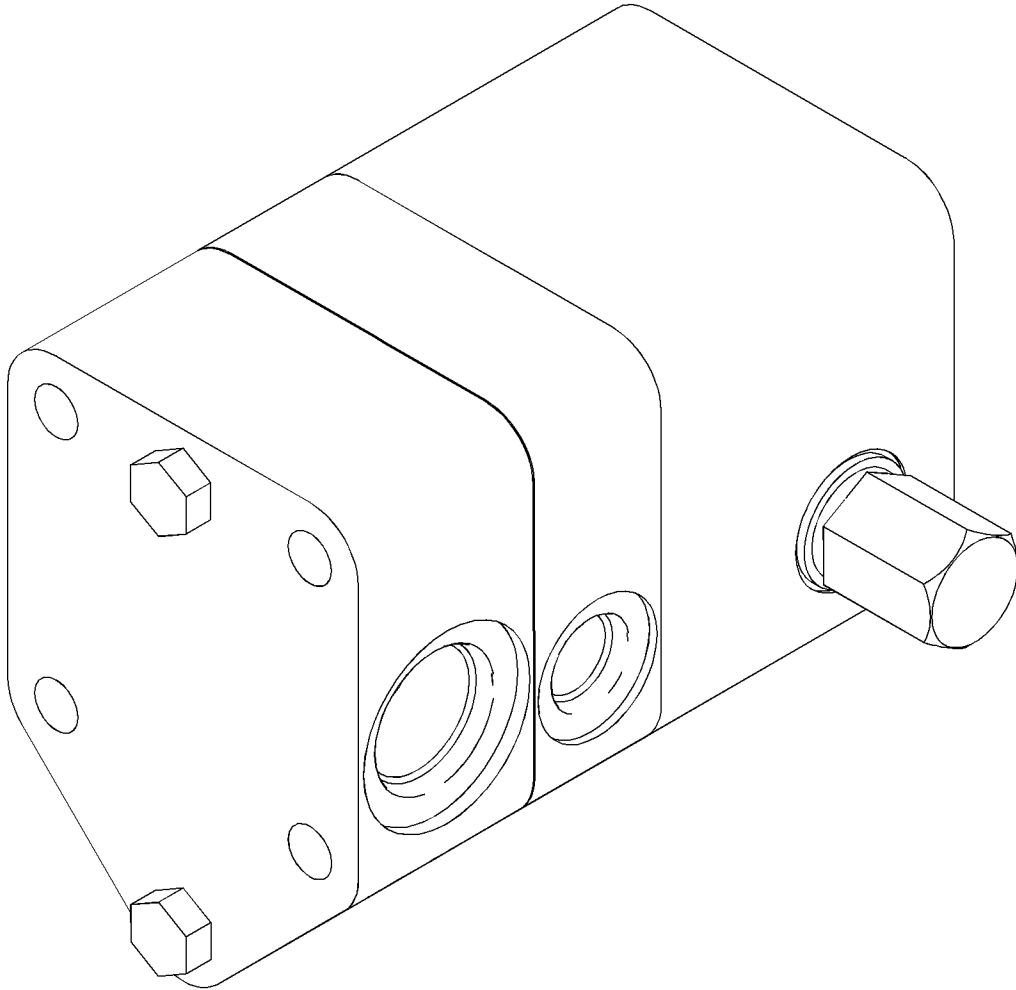
S/N: 50Y647-1304

PART OF 8N-6151 PUMP GP-FUEL TRANSFER

SMCS-1256

i06858041

NOTE	REF NO	GRAPHIC REF	PART NUMBER	QTY	PART NAME 1 2 3 4 5 6 (PRODUCT LEVEL)	SEE PAGE
AVAILABLE REPAIR KIT(S):						
			255-8691	1	KIT-SEAL (KIT INCLUDES GASKET & SEALS)	
			255-8692	1	KIT-REPAIR (GEAR, SHAFT) (KIT INCLUDES GEAR AS, BUSHINGS, & SHAFT AS)	



GRAPHIC #1

<END>

g01975973

FUEL SYSTEM

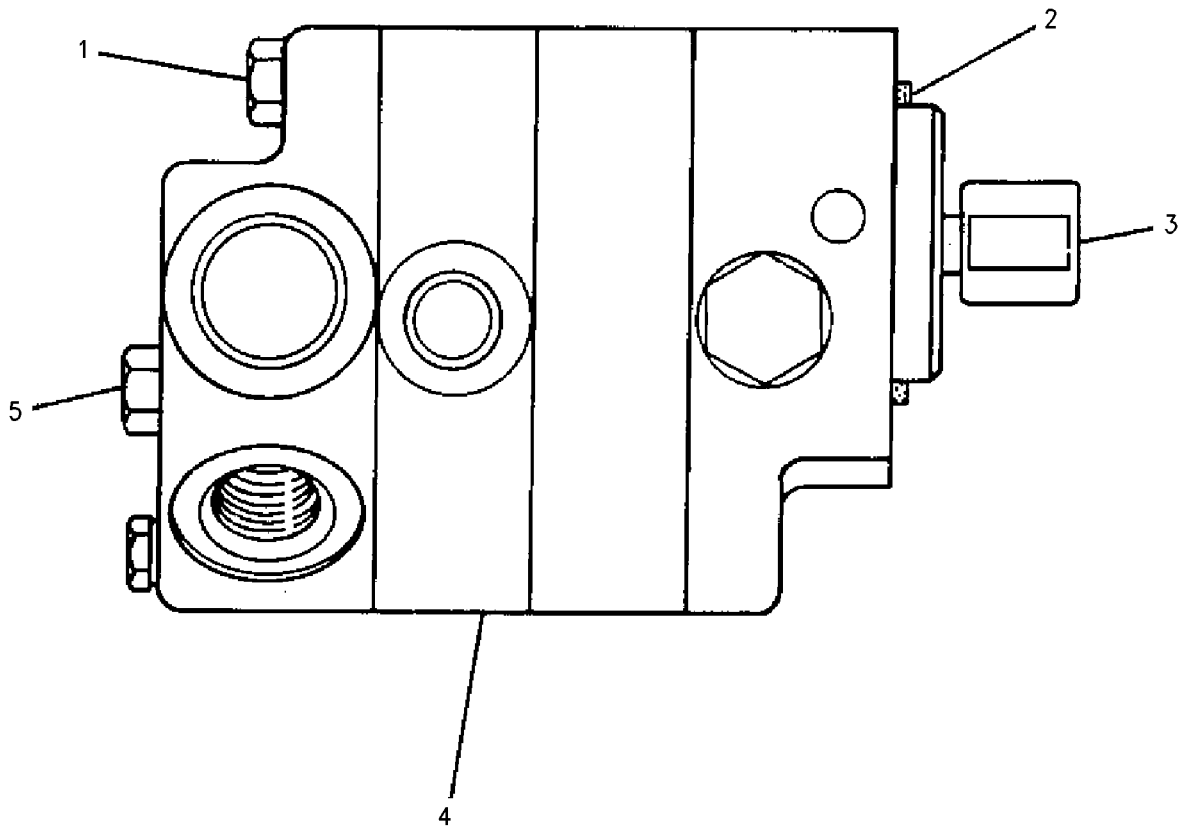
8N-6151 PUMP GP-FUEL TRANSFER-1-SECTION GEAR TYPE 1

SMCS-1256

i03531910

NOTE	REF NO	GRAPHIC REF	PART NUMBER	QTY	PART NAME						SEE PAGE
					1	2	3	4	5	6 (PRODUCT LEVEL)	
	1	1	3H-3243	2	BOLT (5/16-18X4.75-IN)						
	2	1	1H-9696	1	SEAL-O-RING						
	3	1	1N-4636	1	COUPLING-DRIVE						
YR	4	1	<i>1N-4478</i>	1	PUMP GP-FUEL TRANSFER (1-SECTION GEAR)						1244
	5	1	5L-1761	2	BOLT (5/16-18X5.5-IN)						

R - REMANUFACTURED PART MAY BE AVAILABLE
Y - SEPARATE ILLUSTRATION



GRAPHIC #1

<END>

g00773824

FUEL SYSTEM

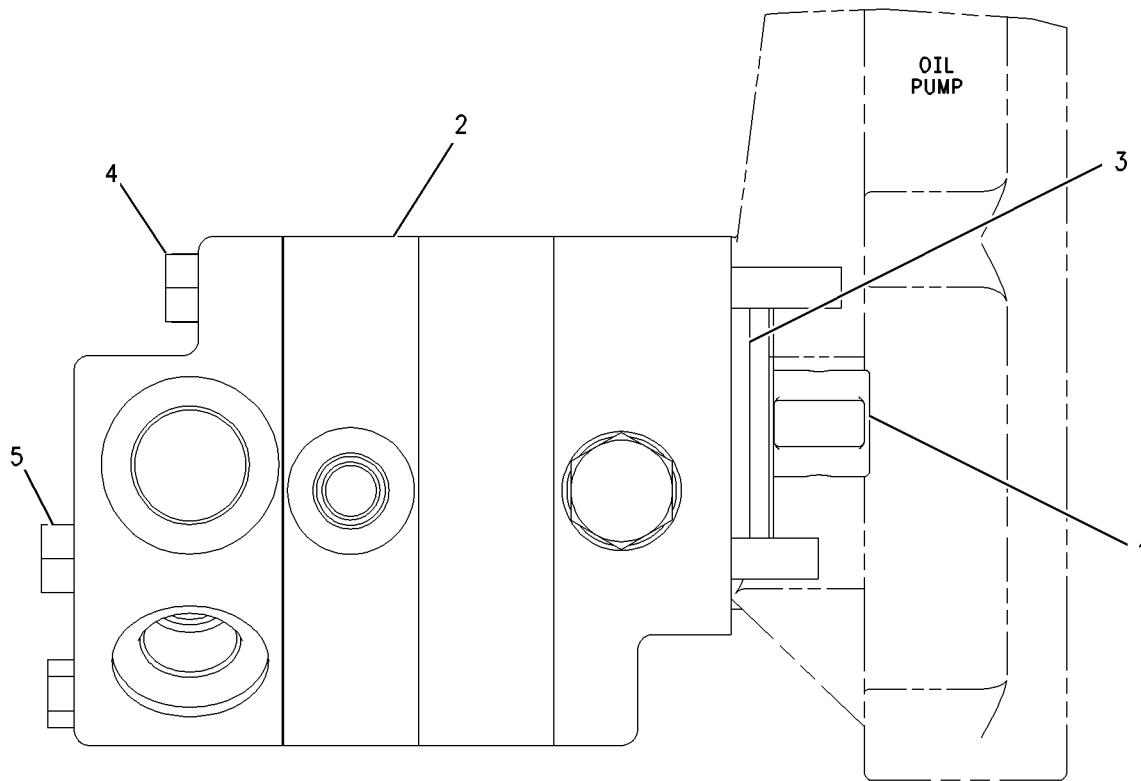
8N-6151 PUMP GP-FUEL TRANSFER-1-SECTION GEAR TYPE 2

SMCS - 1256

i03531913

NOTE	REF NO	GRAPHIC REF	PART NUMBER	QTY	PART NAME						SEE PAGE
					1	2	3	4	5	6 (PRODUCT LEVEL)	
	1	1	1N-4636	1	COUPLING-DRIVE						
CYR	2	1	169-8615	1	PUMP GP-FUEL TRANSFER (1-SECTION GEAR)						1242
	3	1	1H-9696	1	SEAL-O-RING						
	4	1	3H-3243	2	BOLT (5/16-18X4.75-IN)						
	5	1	5L-1761	2	BOLT (5/16-18X5.5-IN)						

C - CHANGE FROM PREVIOUS TYPE
 R - REMANUFACTURED PART MAY BE AVAILABLE
 Y - SEPARATE ILLUSTRATION



GRAPHIC #1

<END>

g00773828

FUEL SYSTEM

8N-6151 PUMP GP-FUEL TRANSFER-1-SECTION GEAR

S/N: 50Y647-1304

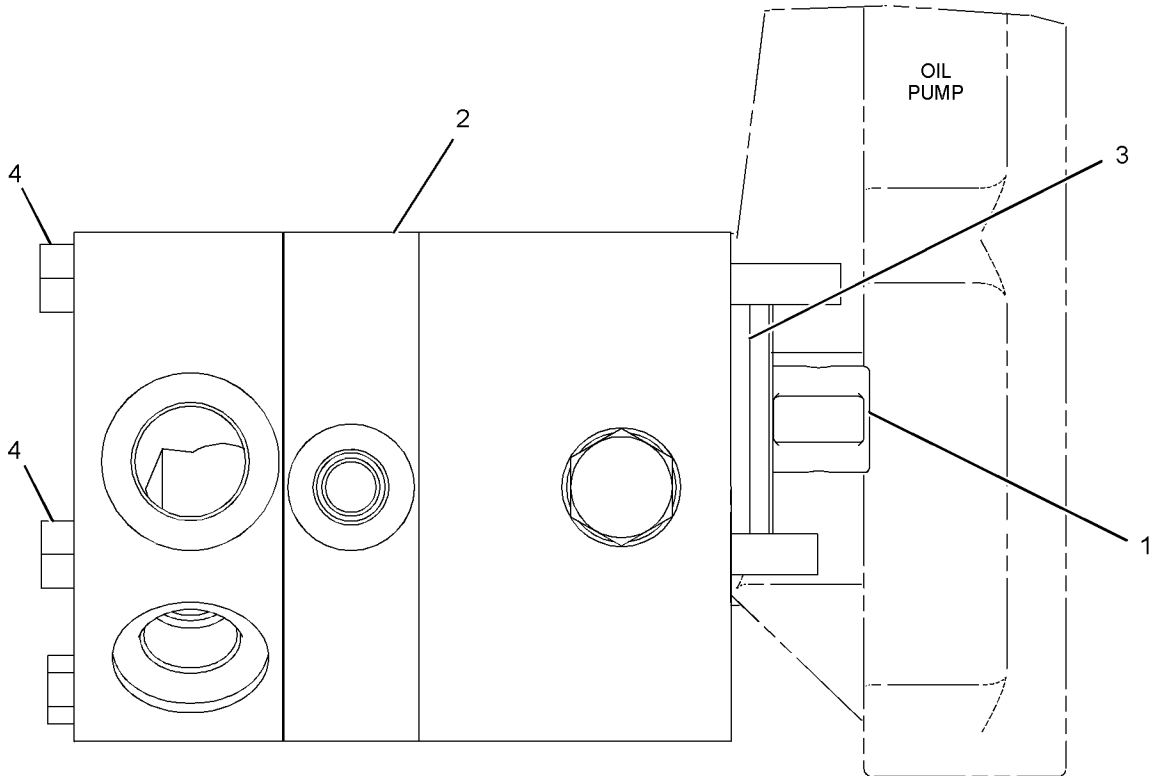
PART OF 357-0858, 376-4849 ENGINE AR-COMPLETE

SMCS - 1256

i06692543

NOTE	REF NO	GRAPHIC REF	PART NUMBER	QTY	PART NAME						SEE PAGE
					1	2	3	4	5	6 (PRODUCT LEVEL)	
	1	1	1N-4636	1	COUPLING-DRIVE						
CYR	2	1	313-7770	1	PUMP GP-FUEL TRANSFER (1-SECTION GEAR)						1246
	3	1	1H-9696	1	SEAL-O-RING						
C	4	1	5L-1761	4	BOLT (5/16-18X5.5-IN)						

C - CHANGE FROM PREVIOUS TYPE
 R - REMANUFACTURED PART MAY BE AVAILABLE
 Y - SEPARATE ILLUSTRATION



GRAPHIC #1

<END>

g01184091

FUEL SYSTEM

7C-3982 PUMP GP-GEAR

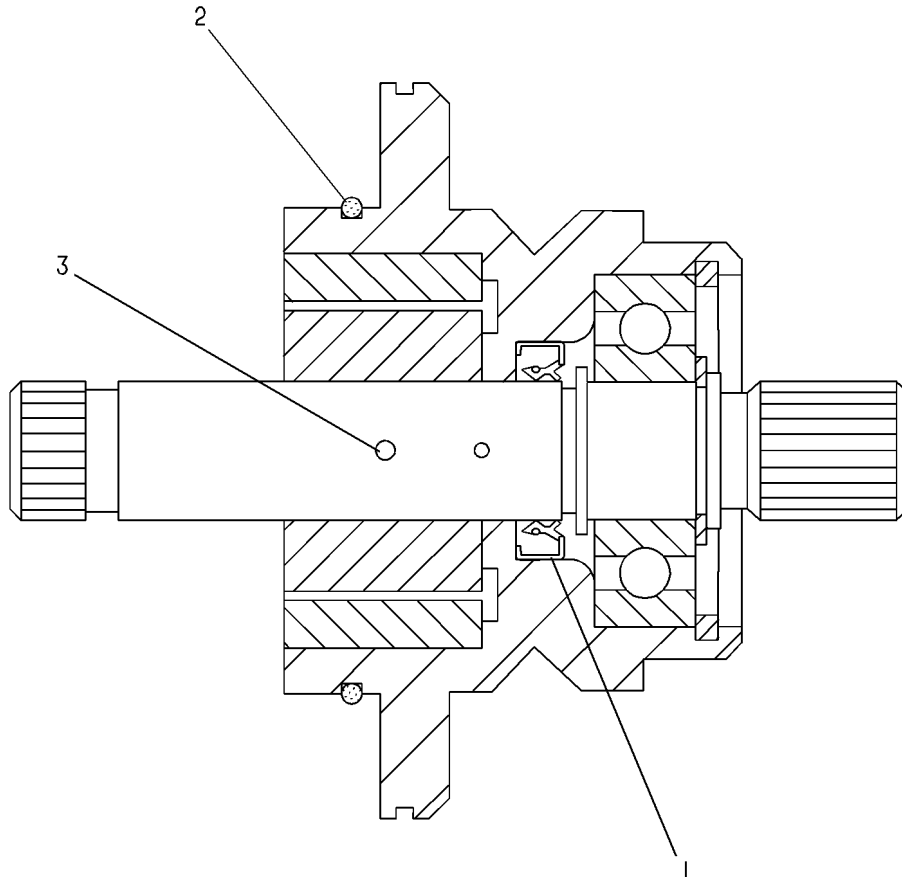
S/N: 50Y667-736; 66Z198-265

PART OF 7C-0083, 7C-2850, 7C-3023, 7C-5681 GOVERNOR GP
ALSO AN ATTACHMENT

SMCS-1251, 1286

i00079691

NOTE	REF NO	GRAPHIC REF	PART NUMBER	QTY	PART NAME						SEE PAGE
					1	2	3	4	5	6 (PRODUCT LEVEL)	
	1	1	2W-0282	1	SEAL-OIL						
	2	1	2W-0223	1	SEAL-O-RING						
	3	1	7C-3986	1	PIN-PUMP DRIVE						



GRAPHIC #1

<END>

g00063396

FUEL SYSTEM

9Y-1588 PUMP GP-GEAR

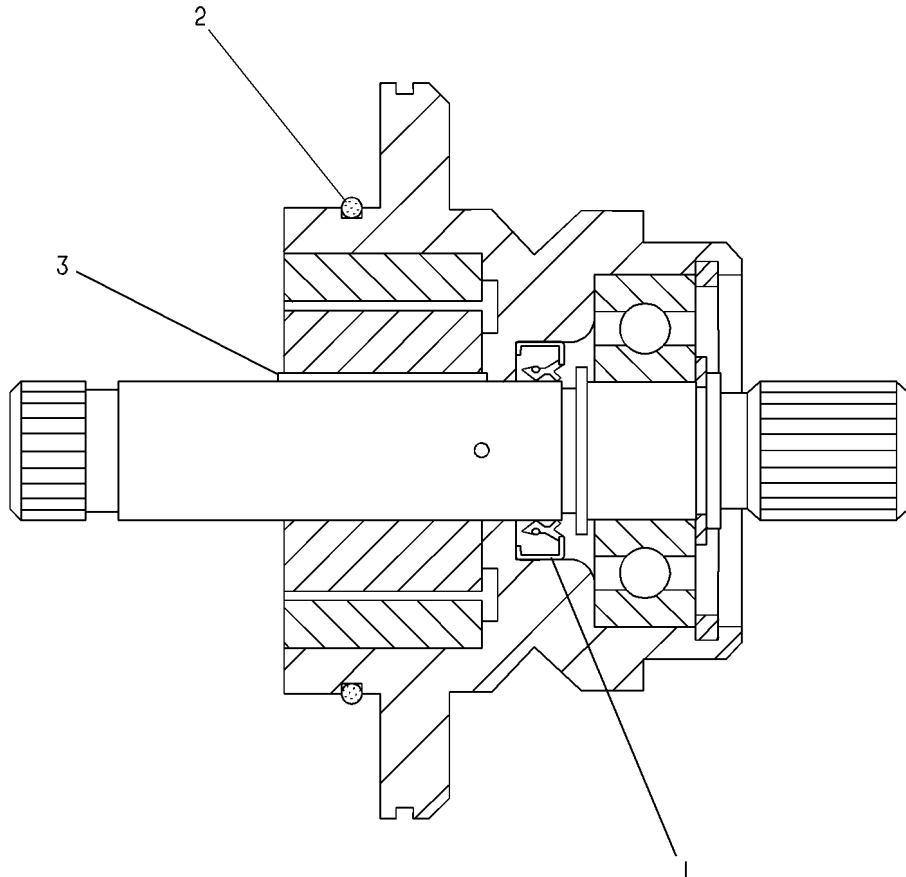
S/N: 50Y737-874; 66Z266-578

PART OF 7E-4537, 9Y-2651, 9Y-2652 GOVERNOR GP
ALSO AN ATTACHMENT

SMCS-1251, 1286

i00079960

NOTE	REF NO	GRAPHIC REF	PART NUMBER	QTY	PART NAME						SEE PAGE
					1	2	3	4	5	6 (PRODUCT LEVEL)	
1	1	1	2W-0282	1	SEAL - OIL						
2	1	1	2W-0223	1	SEAL - O - RING						
3	1	1	9Y-1782	1	KEY						



GRAPHIC #1

<END>

g00064050

FUEL SYSTEM

172-0265 PUMP GP-GEROTOR

PART OF 172-0262 SHUTOFF GP-CONTROL, 172-0259, 172-0260, 172-0261 SHUTOFF GP-
HYDROMECHANICAL
AN ATTACHMENT

SMCS-1251, 1286

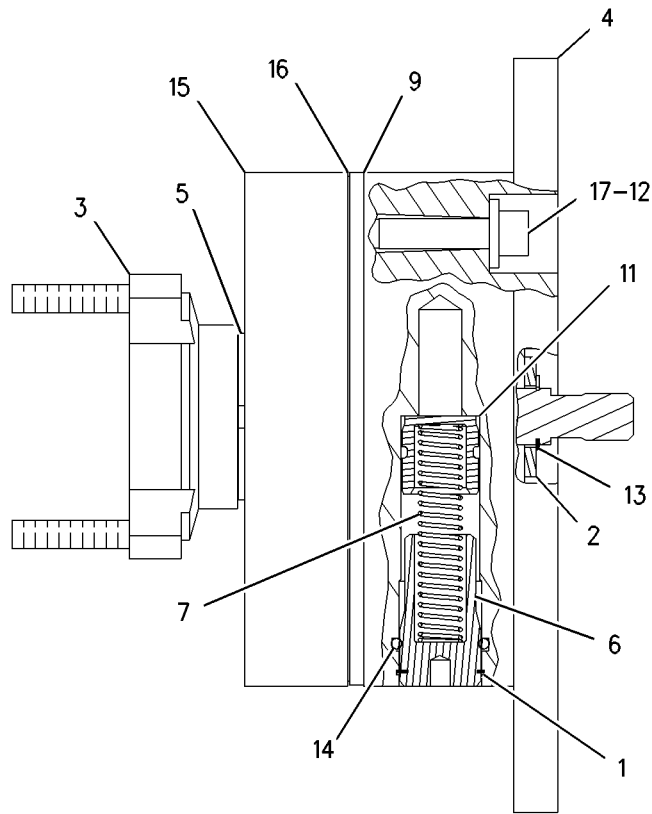
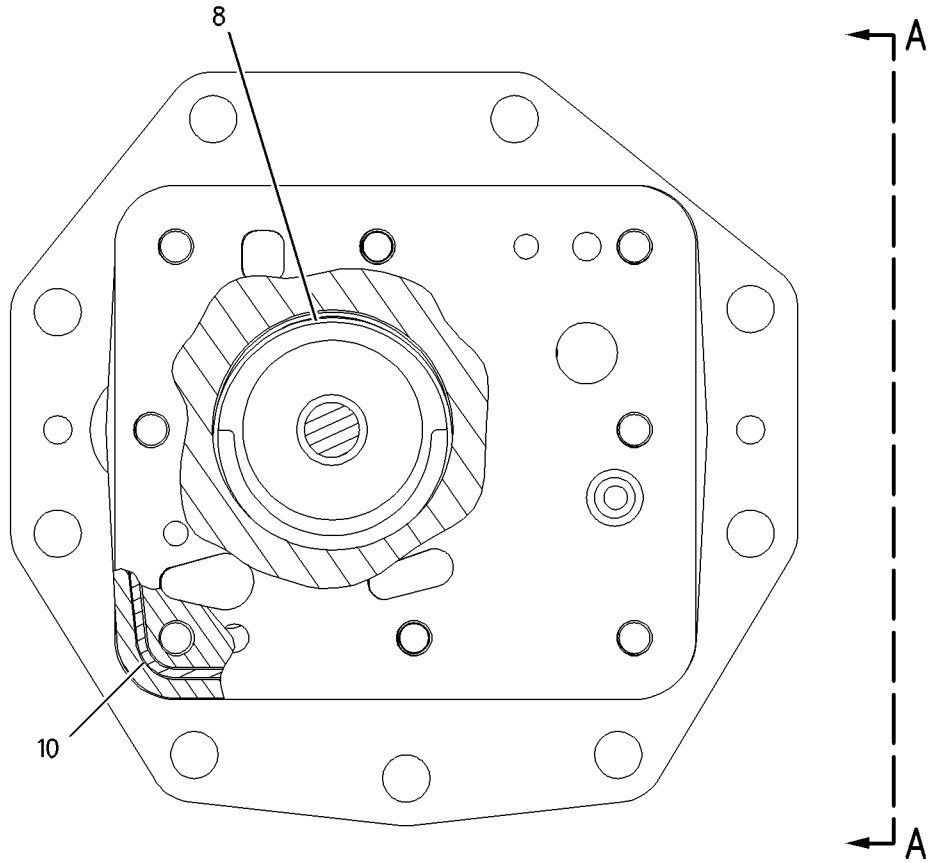
i06737436

NOTE	REF NO	GRAPHIC REF	PART NUMBER	QTY	PART NAME						SEE PAGE
					1	2	3	4	5	6 (PRODUCT LEVEL)	
	1	1	1H-4142	1	RING-RETAINING (INTERNAL)						
	2	1	4J-4144	1	WASHER (13.1X25.4X2.5-MM THK)						
	3	1	5N-1923	1	CARRIER AS						
		1	1S-5440	2	DOWEL						
		1	2N-0478	2	WEIGHT AS-GOVERNOR						
		1	5N-1913	1	SHAFT						
		1	5N-5574	1	PIN-GROOVED						
4		1	332-6711	1	HOUSING AS-PUMP						
5		1	5N-2710	1	WASHER						
6		1	5N-5991	1	SEAT						
7		1	5N-6449	1	SPRING						
8		1	5N-7928	1	GEROTOR AS						
9		1	5N-8432	1	PLATE-SEAL						
10		1	5N-8458	1	SEAL						
11		1	5N-9063	1	PLUNGER AS-BYPASS VALVE						
12		1	5P-0537	2	WASHER-HARD (7.2X14.5X2-MM THK)						
13		1	6L-3801	1	RING-RETAINING (EXTERNAL)						
14		1	8L-2786	1	SEAL-O-RING						
15		1	172-0263	1	COVER GP-PUMP						
		1	7S-5005	2	DOWEL						
		1	172-0272	1	PLUG-PIPE						
16		1	172-0271	1	GASKET						
17		1	6L-1596	2	BOLT (1/4-20X2-IN)						

FUEL SYSTEM

172-0265 PUMP GP-GEROTOR (contd.)

106737436



VIEW A-A

GRAPHIC #1

<END>

g00893037

FUEL SYSTEM

5N-1925 PUMP GP-GEROTOR

PART OF 5N-6050, 5N-6051 SHUTOFF GP-CONTROL, 5N-5338, 5N-5608 SHUTOFF GP-
HYDROMECHANICAL
AN ATTACHMENT

SMCS-1251, 1286

i02183404

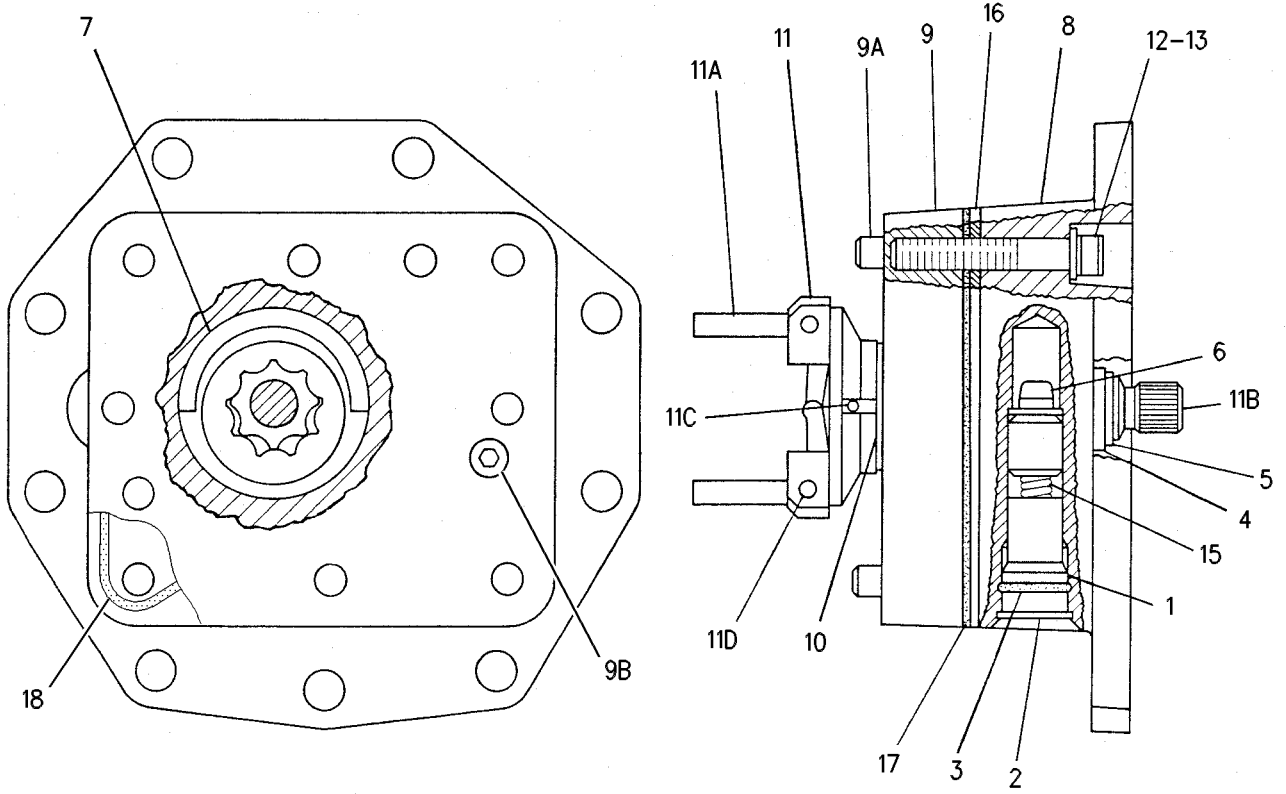
NOTE	REF NO	GRAPHIC REF	PART NUMBER	QTY	PART NAME						SEE PAGE
					1	2	3	4	5	6 (PRODUCT LEVEL)	
	1	1	5N-5991	1	SEAT						
	2	1	1H-4142	1	RING-RETAINING						
	3	1	8L-2786	1	SEAL-O-RING						
C	4	1	4J-4144	1	WASHER (13.1X25.4X2.5-MM THK)						
	5	1	6L-3801	1	RING-RETAINING						
C	6	1	5N-9063	1	PLUNGER AS-BYPASS VALVE						
C	7	1	5N-7928	1	GEROTOR AS						
	8	1	5N-1943	1	HOUSING AS						
C	9	1	172-0263	1	COVER GP-PUMP						
	9A	1	7S-5005	2	DOWEL						
	9B	1	172-0272	1	PLUG-PIPE						
	10	1	5N-2710	1	WASHER						
	11	1	5N-1923	1	CARRIER AS						
	11A	1	2N-0477	2	WEIGHT						
	11B	1	5N-1913	1	SHAFT						
	11C	1	5N-5574	1	PIN-GROOVED						
	11D	1	1S-5440	2	DOWEL						
	12	1	6L-1596	2	BOLT (1/4-20X2-IN) (SOCKET HEAD)						
	13	1	5P-0537	2	WASHER-HARD (7.2X14.5X2-MM THK)						
	15	1	5N-6449	1	SPRING						
C	16	1	5N-8432	1	PLATE-SEAL						
C	17	1	5N-8459	1	GASKET						
C	18	1	5N-8458	1	SEAL						

C - CHANGE FROM PREVIOUS TYPE

FUEL SYSTEM

5N-1925 PUMP GP-GEROTOR (contd.)

i02183404



GRAPHIC #1

<END>

g00587121

FUEL SYSTEM

6I-3842 PUMP GP-GEROTOR

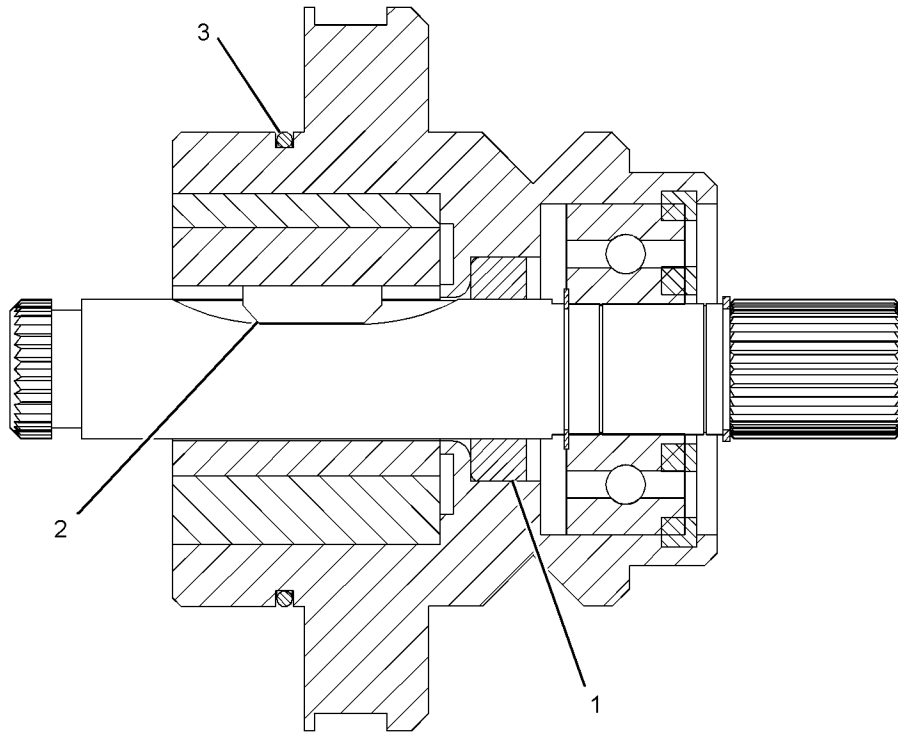
S/N: 50Y1078-1304; 66Z493-578

PART OF 124-3173, 124-3174, 6I-0664, 6I-0665 GOVERNOR GP
ALSO AN ATTACHMENT

SMCS-1251, 1286

i03314603

NOTE	REF NO	GRAPHIC REF	PART NUMBER	QTY	PART NAME						SEE PAGE
					1	2	3	4	5	6 (PRODUCT LEVEL)	
	1	1	2W-0282	1	SEAL-OIL						
	2	1	9Y-1782	1	KEY						
	3	1	180-3927	1	SEAL-O-RING						



GRAPHIC #1

<END>

g01558335

FUEL SYSTEM

244-2478 SHIELD GP-FUEL LINES-FUEL PRIMING PUMP AN ATTACHMENT

SMCS-1067, 1252

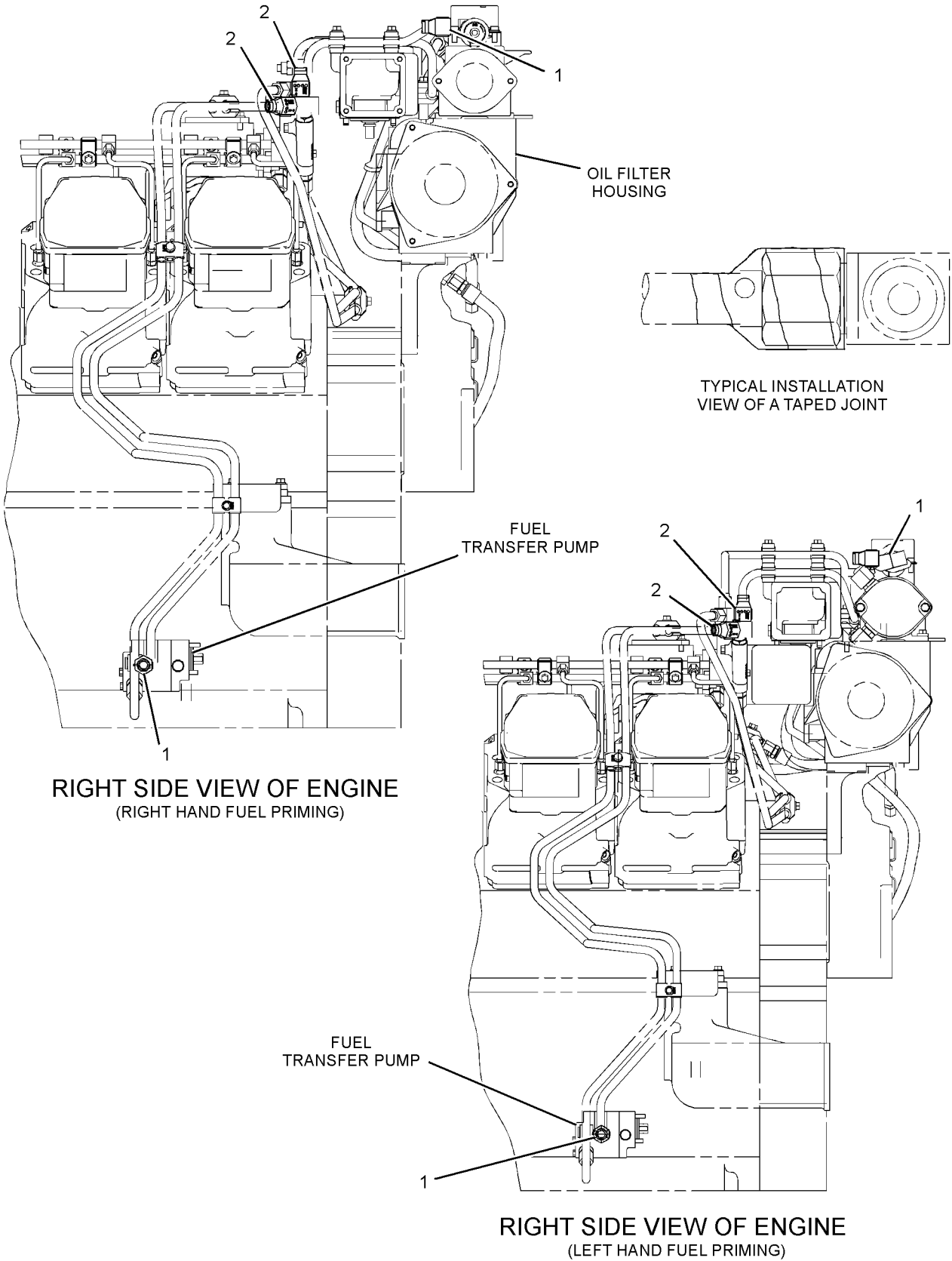
i03636724

NOTE	REF NO	GRAPHIC REF	PART NUMBER	QTY	PART NAME						SEE PAGE
					1	2	3	4	5	6 (PRODUCT LEVEL)	
B	1	1	237-3860		TAPE (ANTI-SPLASH, 50-MM WIDE)						
	2	1	251-1255	2	SHIELD-FUEL LINE FITTING (18.05-MM ID)						
B - USE AS REQUIRED											

FUEL SYSTEM

244-2478 SHIELD GP-FUEL LINES (contd.)

103636724



RIGHT SIDE VIEW OF ENGINE
(RIGHT HAND FUEL PRIMING)

RIGHT SIDE VIEW OF ENGINE
(LEFT HAND FUEL PRIMING)

GRAPHIC #1

<END>

g02033209

FUEL SYSTEM

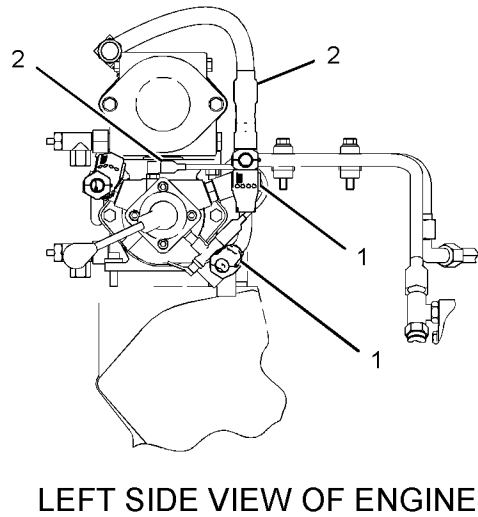
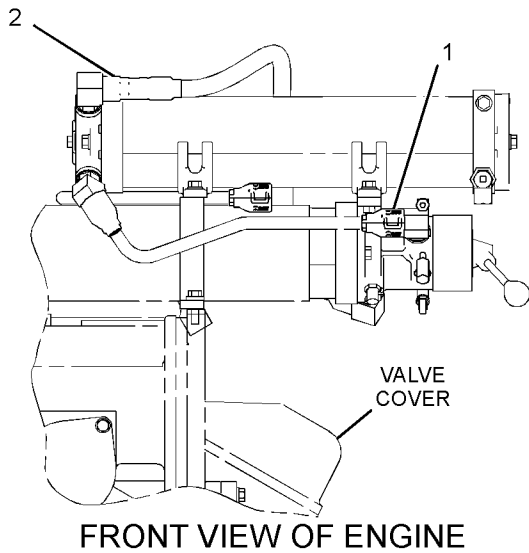
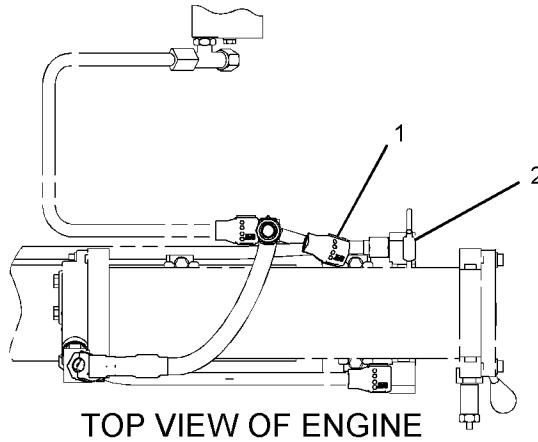
244-6567 SHIELD GP-FUEL LINES AN ATTACHMENT

SMCS-1067, 1252

i03636735

NOTE	REF NO	GRAPHIC REF	PART NUMBER	QTY	PART NAME						SEE PAGE
					1	2	3	4	5	6 (PRODUCT LEVEL)	
	1	1	251-1255	4	SHIELD-FUEL LINE FITTING (18.05-MM ID)						
B	2	1	237-3860		TAPE (ANTI-SPLASH, 50-MM WIDE)						

B - USE AS REQUIRED



GRAPHIC #1

<END>

g01956958

FUEL SYSTEM

244-6568 SHIELD GP-FUEL LINES AN ATTACHMENT

SMCS-1067, 1252

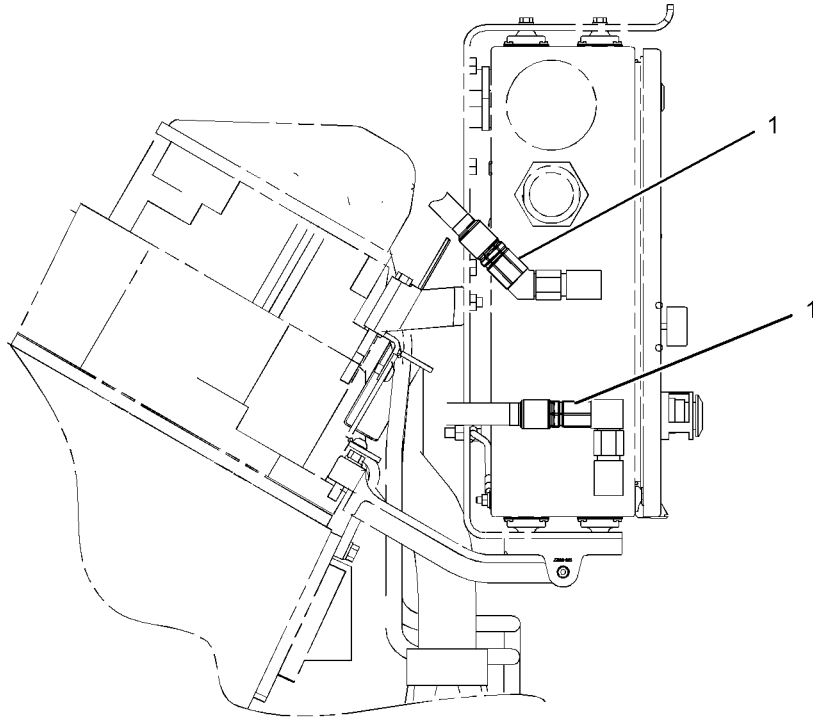
i02187524

NOTE	REF NO	GRAPHIC REF	PART NUMBER	QTY	PART NAME						SEE PAGE
					1	2	3	4	5	6 (PRODUCT LEVEL)	
B	1	1	237-3860		TAPE (ANTI-SPLASH, 50-MM WIDE) (10-M ROLL)						
B - USE AS REQUIRED											

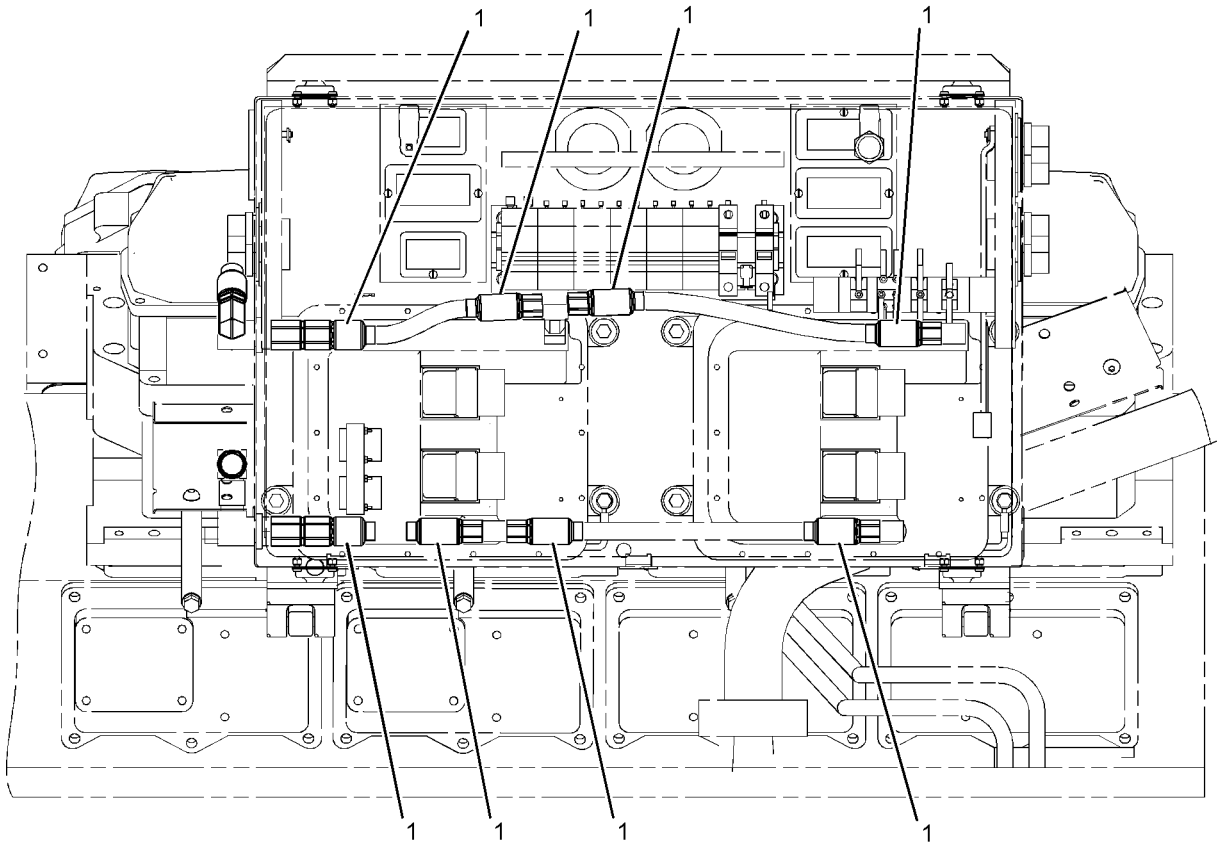
FUEL SYSTEM

244-6568 SHIELD GP-FUEL LINES (contd.)

i02187524



REAR VIEW



RIGHT SIDE VIEW

GRAPHIC #1

<END>

g01069152

FUEL SYSTEM

254-7277 SHIELD GP-FUEL LINES-FUEL MANIFOLD

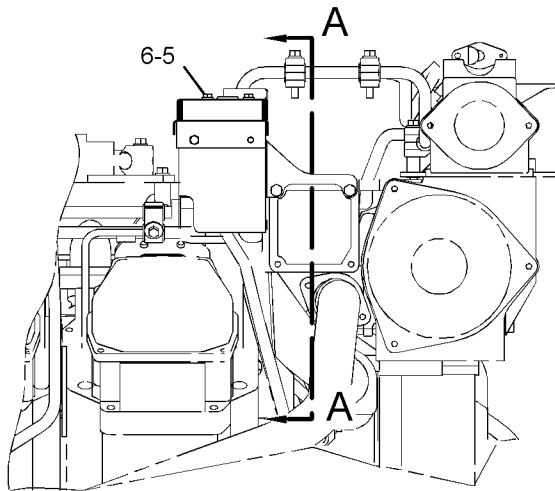
AN ATTACHMENT

TYPE 1

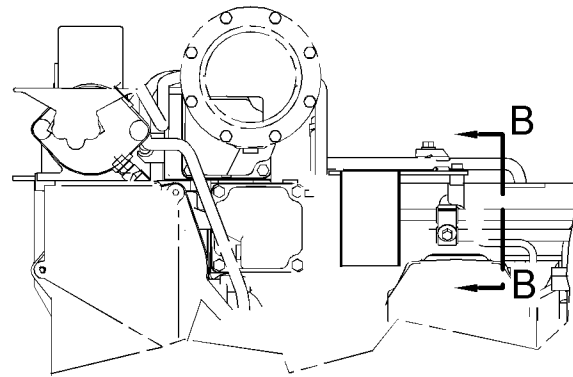
SMCS-1067, 1252

i04945585

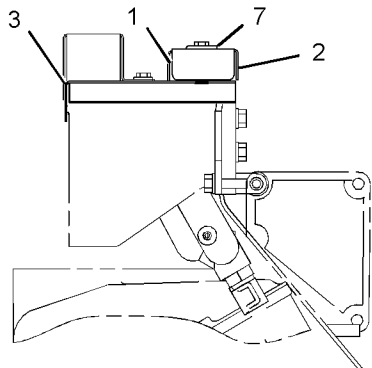
NOTE	REF NO	GRAPHIC REF	PART NUMBER	QTY	PART NAME						SEE PAGE
					1	2	3	4	5	6 (PRODUCT LEVEL)	
	1	1	253-2120	1	COVER						
	2	1	253-2122	1	COVER						
	3	1	254-7278	1	COVER AS						
		1	248-5503	2	NUT-CLINCH						
	4	1	254-7279	1	SHIELD AS						
		1	9F-6445	2	NUT-WELD (1/4-20-THD)						
	5	1	7X-3178	2	BOLT (1/4-20X1.625-IN)						
	6	1	8T-4205	2	WASHER-HARD (7.2X14.5X2-MM THK)						
	7	1	9D-3769	1	GROMMET						



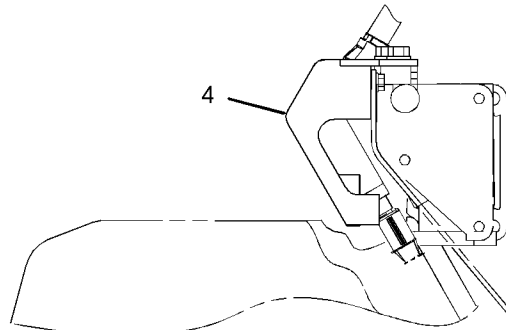
RIGHT SIDE VIEW



LEFT SIDE VIEW



VIEW A-A



VIEW B-B

GRAPHIC #1

<END>

g01180865

FUEL SYSTEM

254-7277 SHIELD GP-FUEL LINES-FUEL MANIFOLD AN ATTACHMENT TYPE 2

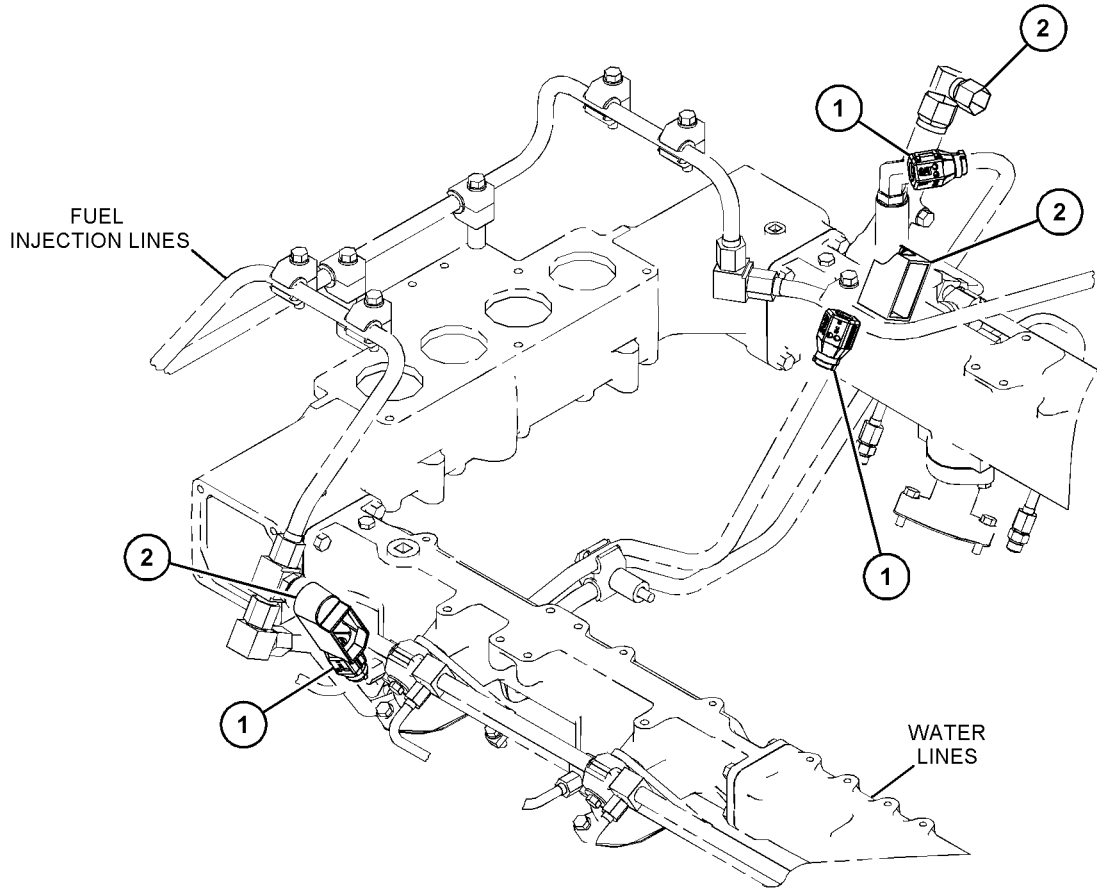
SMCS-1067, 1252

i06261365

NOTE	REF NO	GRAPHIC REF	PART NUMBER	QTY	PART NAME						SEE PAGE
					1	2	3	4	5	6 (PRODUCT LEVEL)	
C	1	1	251-1255	3	SHIELD-FUEL LINE FITTING (18.05-MM ID)						
BC	2	1	237-3860		TAPE (ANTI-SPLASH, 50-MM WIDE)						

B - USE AS REQUIRED

C - CHANGE FROM PREVIOUS TYPE



GRAPHIC #1

<END>

g06030226

FUEL SYSTEM

257-5887 SHIELD GP-FUEL LINES AN ATTACHMENT

SMCS-1067, 1252

i02213870

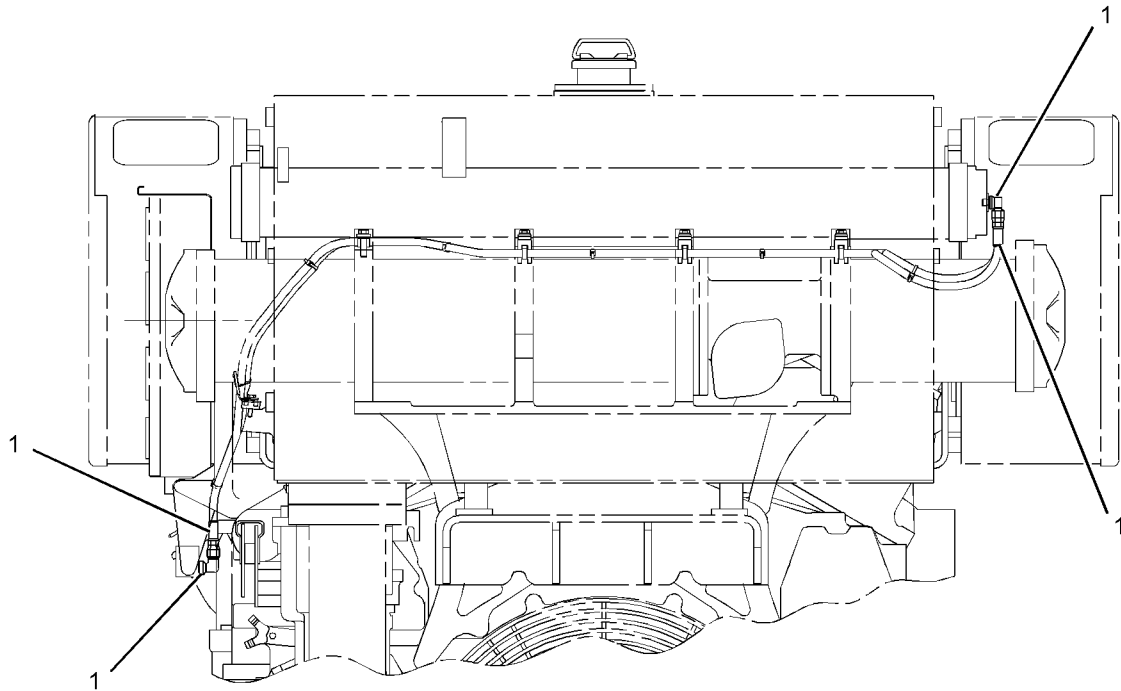
NOTE	REF NO	GRAPHIC REF	PART NUMBER	QTY	PART NAME						SEE PAGE
					1	2	3	4	5	6 (PRODUCT LEVEL)	
BE	1	1,2	237-3860		TAPE (ANTI-SPLASH, 50-MM WIDE)						

B - USE AS REQUIRED
E - ORDER BY THE CENTIMETER

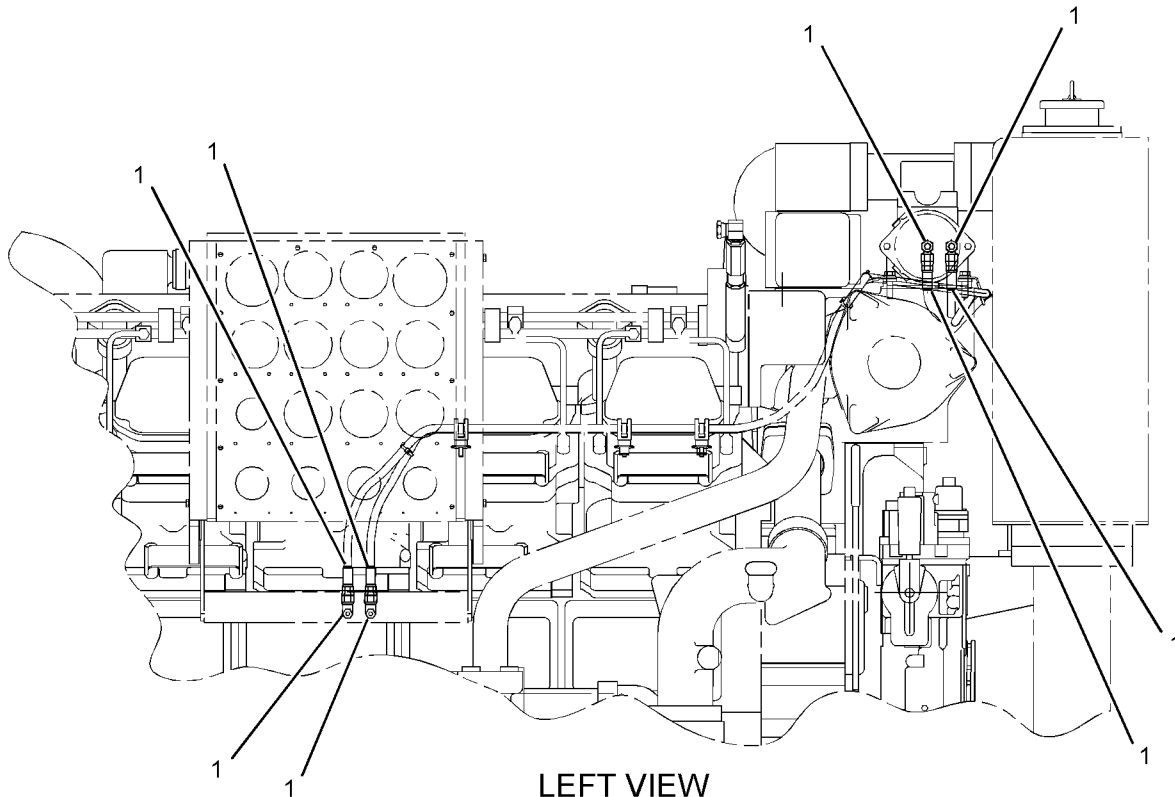
FUEL SYSTEM

257-5887 SHIELD GP-FUEL LINES (contd.)

102213870



FRONT VIEW



LEFT VIEW

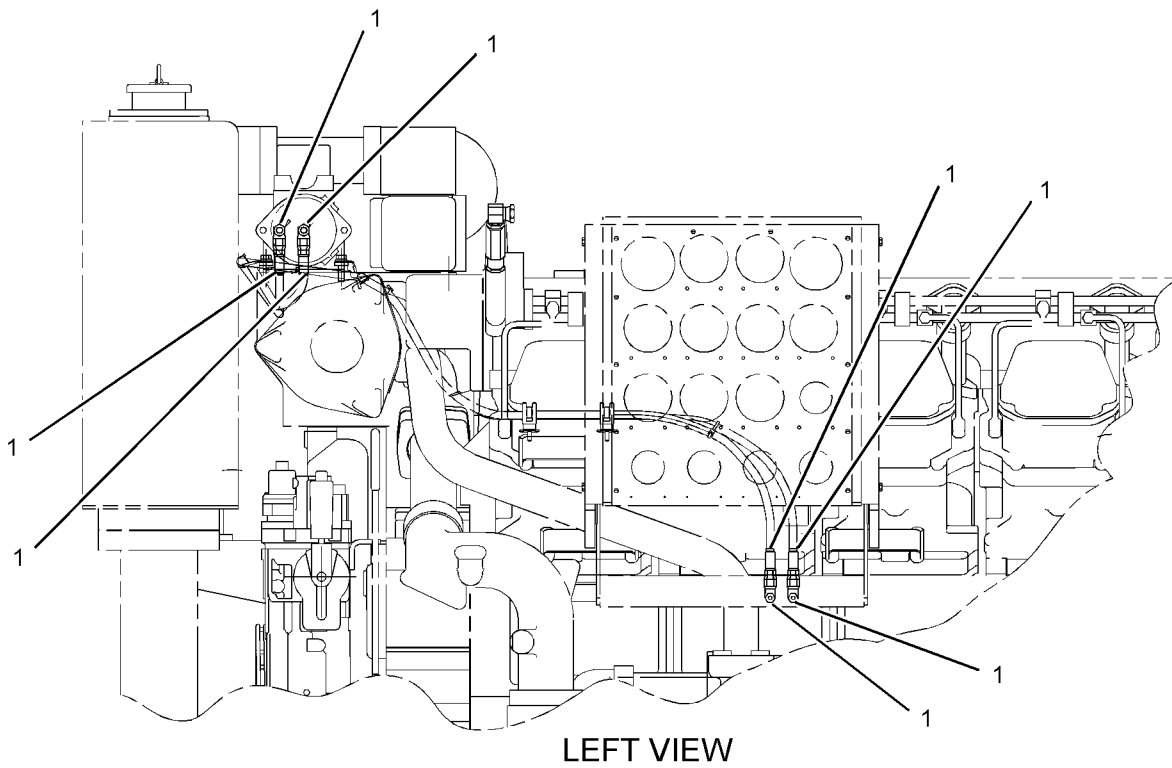
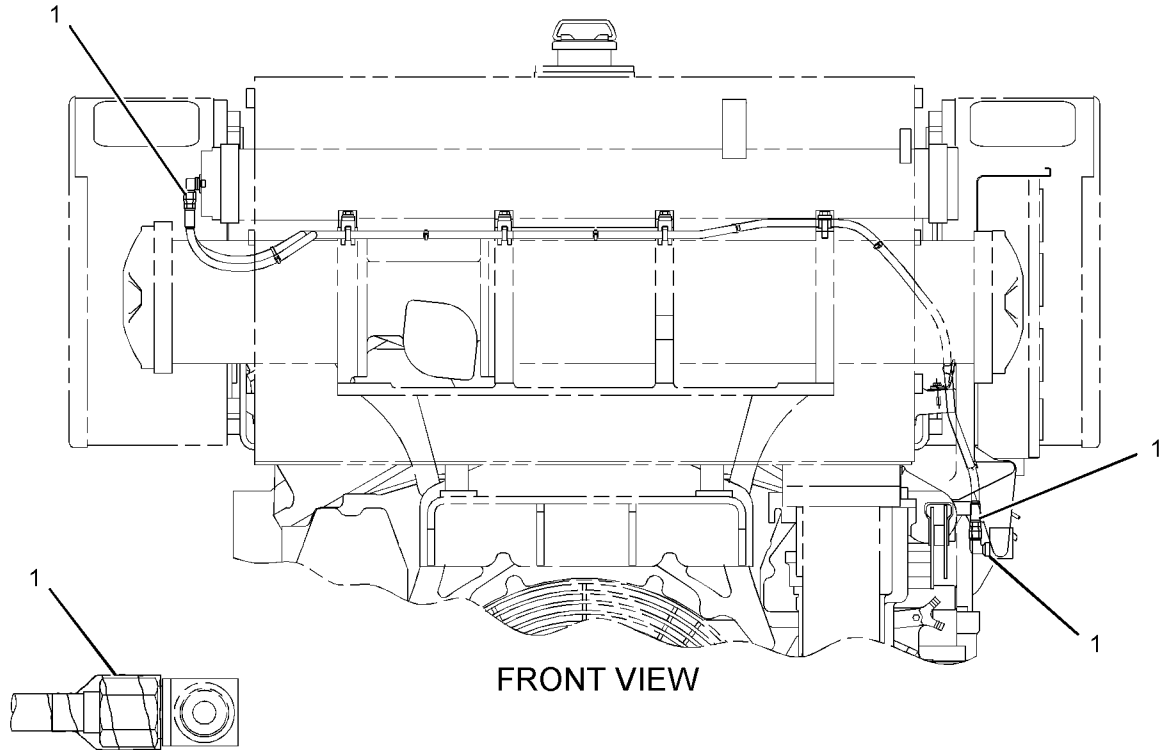
GRAPHIC #1

g01133688

FUEL SYSTEM

257-5887 SHIELD GP-FUEL LINES (contd.)

i02213870



GRAPHIC #2

<END>

g01133695

FUEL SYSTEM

274-5013 SHIELD GP-FUEL LINES AN ATTACHMENT

SMCS-1067, 1252

i02610741

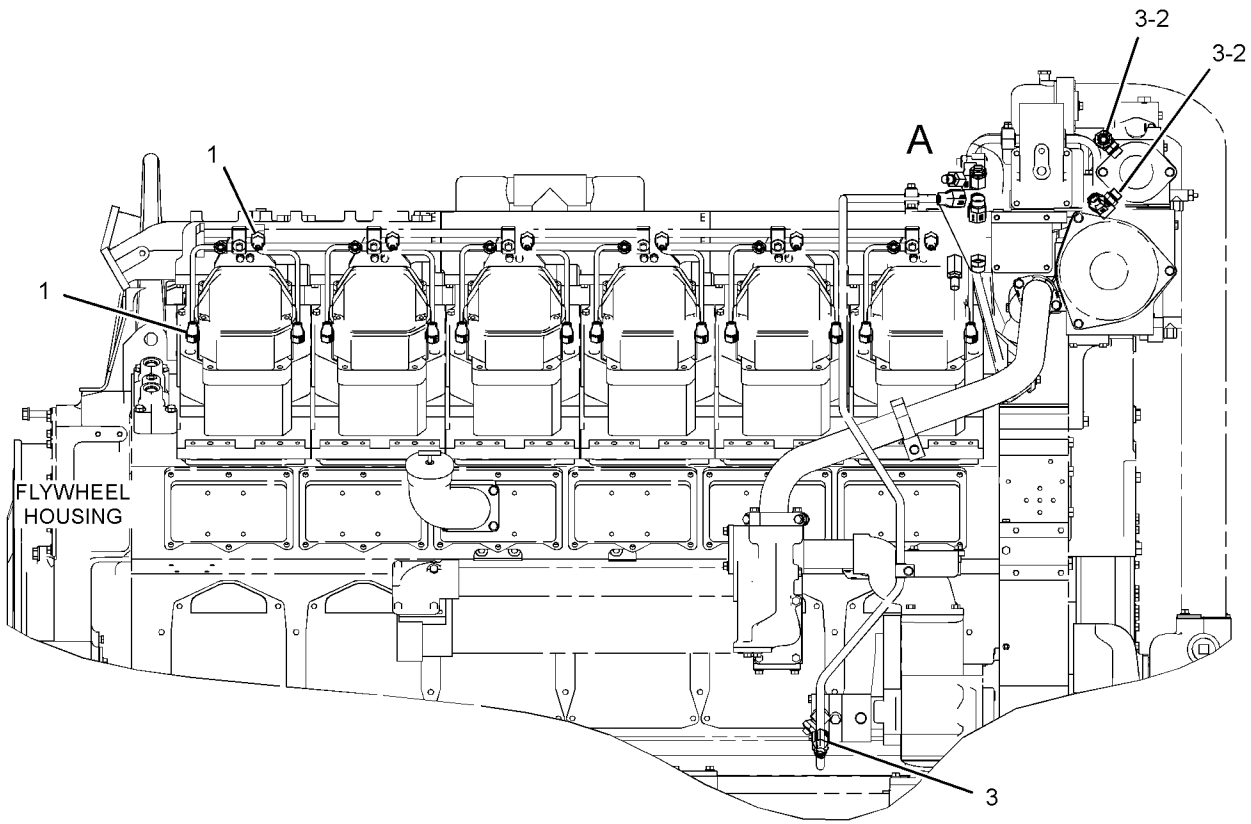
NOTE	REF NO	GRAPHIC REF	PART NUMBER	QTY	PART NAME						SEE PAGE
					1	2	3	4	5	6 (PRODUCT LEVEL)	
	1	1	241-6244	48	SHIELD-FUEL LINE FITTING (9.8-MM ID)						
	2	1	250-1498	2	ELBOW AS (90-DEG)						
					(EACH INCLUDES)						
		1	6V-4589	1	SEAL-O-RING						
		1	250-1497	1	ELBOW (90-DEG)						
	3	1	251-1255	6	SHIELD-FUEL LINE FITTING (18.05-MM ID)						
BE	4	1	237-3860		TAPE (ANTI-SPLASH, 50-MM WIDE) (190-CM)						

B - USE AS REQUIRED
E - ORDER BY THE CENTIMETER

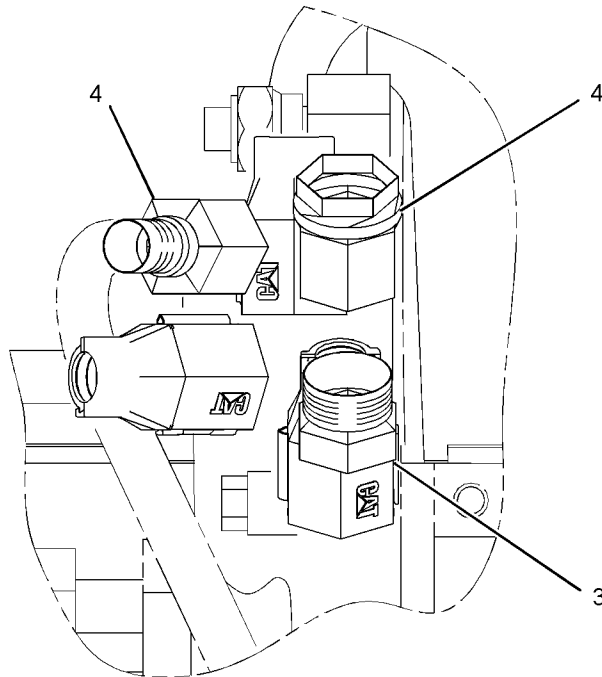
FUEL SYSTEM

274-5013 SHIELD GP-FUEL LINES (contd.)

i02610741



RIGHT SIDE VIEW OF ENGINE



VIEW OF AREA A

<END>

GRAPHIC #1

g01325122

FUEL SYSTEM

1W-8578 SHUTOFF & OIL FILLER GP

24 VOLT

PART OF 1W-0516 GOVERNOR GP
AN ATTACHMENT

SMCS-1316, 7418

i00931955

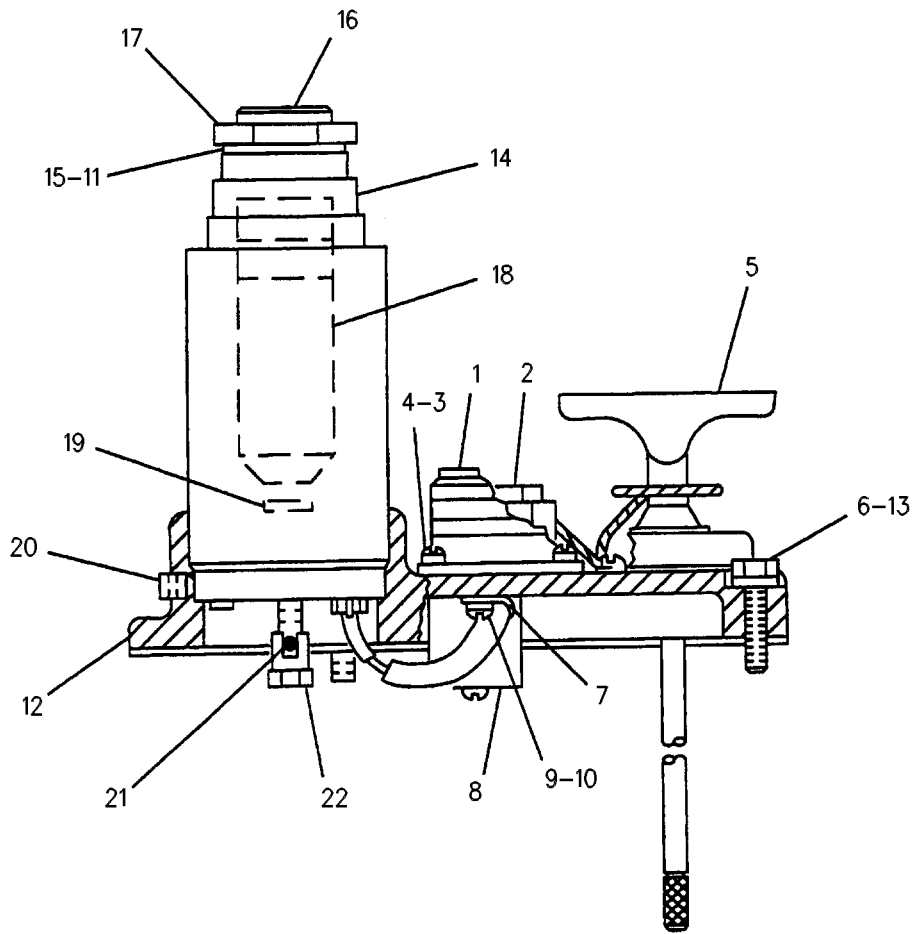
NOTE	REF NO	GRAPHIC REF	PART NUMBER	QTY	PART NAME						SEE PAGE
					1	2	3	4	5	6 (PRODUCT LEVEL)	
	1	1	1W-9665	1	RECEPTACLE						
	2	1	1W-9674	1	CAP - FILTER						
	3	1	7L-5727	4	SCREW-MACHINE (4-40X0.375-IN)						
	4	1	6B-4542	4	LOCKWASHER						
	5	1	1W-9673	1	PLUG AS						
	6	1	3B-4502	4	LOCKWASHER						
	7	1	1W-9666	1	CLAMP-WIRE						
	8	1	1W-9676	1	SUPPRESSOR AS						
	9	1	4B-1218	1	SCREW-MACHINE (6-32X0.25-IN)						
	10	1	9B-1117	1	LOCKWASHER						
	11	1	5P-9757	1	SEAL-O-RING						
	12	1	1W-9677	1	COVER AS-LIMITER						
	13	1	045-4065	4	SCREW-MACHINE (10-32X0.75-IN)						
	14	1	1W-9675	1	COIL AS-SOLENOID						
	15	1	2W-0284	1	WASHER						
C	16	1	2W-6889	1	PLUG AS						
C	17	1	5H-6529	1	LOCKNUT						
C	18	1	2W-4992	1	PLUNGER AS						
C	19	1	5H-6531	2	WASHER						
C	20	1	7L-8316	1	SETSCREW-SOCKET (10-32X2.54-IN)						
C	21	1	1L-5316	1	PIN-SPRING						
C	22	1	2W-0895	1	NUT-ADJUSTMENT						

C - CHANGE FROM PREVIOUS TYPE

FUEL SYSTEM

1W-8578 SHUTOFF & OIL FILLER GP (contd.)

i00931955



GRAPHIC #1

<END>

g00480000

FUEL SYSTEM

5N-6050 SHUTOFF GP-CONTROL

S/N: 66Z190-578

**PROVIDES OVERSPEED PROTECTION FOR ENGINES RATED AT 1000 RPM
FOR USAGE REFER TO CHART 5N-5382-PAGE: 2100
AN ATTACHMENT**

SMCS-1704, 7418

i01104965

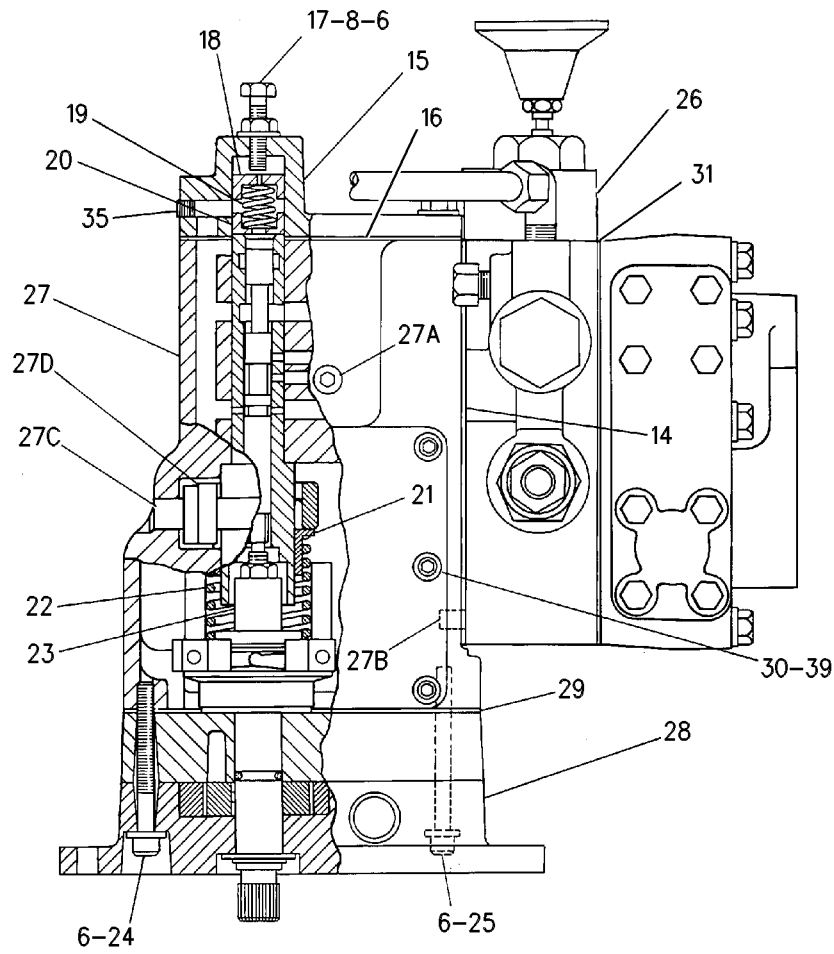
NOTE	REF NO	GRAPHIC REF	PART NUMBER	QTY	PART NAME						SEE PAGE
					1	2	3	4	5	6 (PRODUCT LEVEL)	
	1	2	2H-3880	2	SCREW-DRIVE (NO 2X0.125-IN)						
	2	2	5N-1782	1	PLATE-IDENTIFICATION (HYDROMECHANICAL SHUTOFF)						
	3	2	5N-6711	1	COVER						
	4	2	5N-2707	1	GASKET						
	5	2	5M-6213	6	PLUG-PIPE (1/4-18-THD)						
	6	1,2	5P-0537	22	WASHER-HARD (7.2X14.5X2-MM THK)						
	7	2	5N-2709	1	BOLT (1/4-28X2.5-IN)						
	8	1,2	6F-0612	2	NUT-JAM (1/4-28-THD)						
	9	2	4F-7957	3	BOLT (1/4-20X0.875-IN)						
Y	10	2	2W-9635	1	VALVE GP-FUEL SHUTOFF						1302
	12	2	2A-4781	5	BOLT (1/4-20X2.75-IN)						
	13	2	8S-4710	3	BOLT (1/4-20X4-IN)						
	14	1	5N-4718	1	GASKET						
	15	1	5N-4727	1	COVER						
	16	1	5N-2725	1	GASKET						
	17	1	5N-2716	1	BOLT (1/4-28X1.1-IN)						
	18	1	172-0264	1	SEAT						
	19	1	5N-5297	1	SPRING						
	20	1	5N-4728	1	SEAT						
	21	1	6N-3504	1	SEAT-GOVERNOR SPRING						
	22	1	5N-5296	1	SPRING						
Y	23	1	5N-2718	1	VALVE GP-SPEED SENSING						1306
	24	1	6H-3958	1	BOLT-SOCKET HEAD (1/4-20X2.5-IN)						
	25	1	6J-2819	7	BOLT-SOCKET HEAD (1/4-20X2.75-IN)						
Y	26	1	5N-5990	1	VALVE GP-PRESSURE CONTROL						1305
	27	1	5N-6141	1	HOUSING AS-CONTROL						
	27A	1	5M-6214	1	PLUG (1/8-27 PTF)						
	27B	1	9L-9503	2	DOWEL-HOLLOW						
	27C	1	3N-5744	1	SHAFT						
	27D	1	3N-5755	1	LEVER						
CY	28	1	5N-1925	1	PUMP GP-GEROTOR						1254
	29	1	5N-3198	1	GASKET						
C	30	1	3K-6168	8	BOLT-SOCKET HEAD (10-32X0.625-IN)						
C	31	1	5N-8227	1	GASKET						
	32	2	032-1267	2	CONNECTOR (STRAIGHT)						
	33	2	5N-4990	1	TUBE AS						
	34	2	3R-6569	1	BOLT (1/4-20X0.875-IN)						
	35	1,2	3D-4603	2	PLUG-PIPE						
	36	2	032-1268	2	CONNECTOR (90-DEG)						
	37	2	6K-9194	1	ELBOW						
	38	2	7K-4128	1	TEE-FLARED						
C	39	1	3H-0240	8	WASHER (5X9.7X0.8-MM THK)						

C - CHANGE FROM PREVIOUS TYPE
Y - SEPARATE ILLUSTRATION

FUEL SYSTEM

5N-6050 SHUTOFF GP-CONTROL (contd.)

i01104965



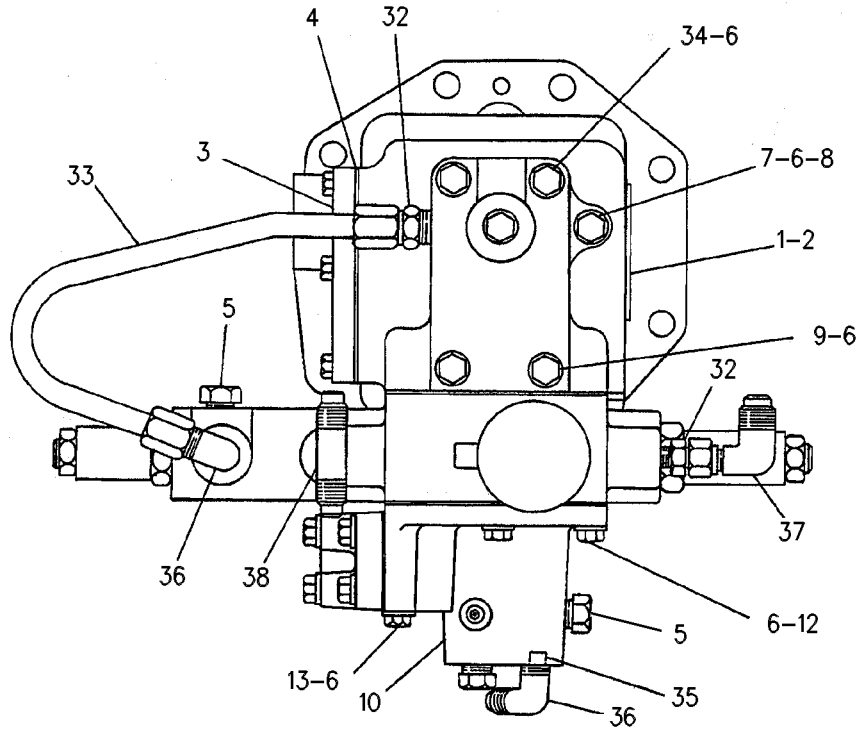
GRAPHIC #1

g00587079

FUEL SYSTEM

5N-6050 SHUTOFF GP-CONTROL (contd.)

101104965



GRAPHIC #2

<END>

g00582516

FUEL SYSTEM

5N-6051 SHUTOFF GP-CONTROL

S/N: 66Z190-578

**PROVIDES OVERSPEED PROTECTION FOR ENGINES RATED AT 1200 RPM
FOR USAGE REFER TO CHART 5N-5382-PAGE: 2100
PART OF 7W-7322 SHUTOFF GP-ELECTRICAL
AN ATTACHMENT**

SMCS-1704, 7418

i01336395

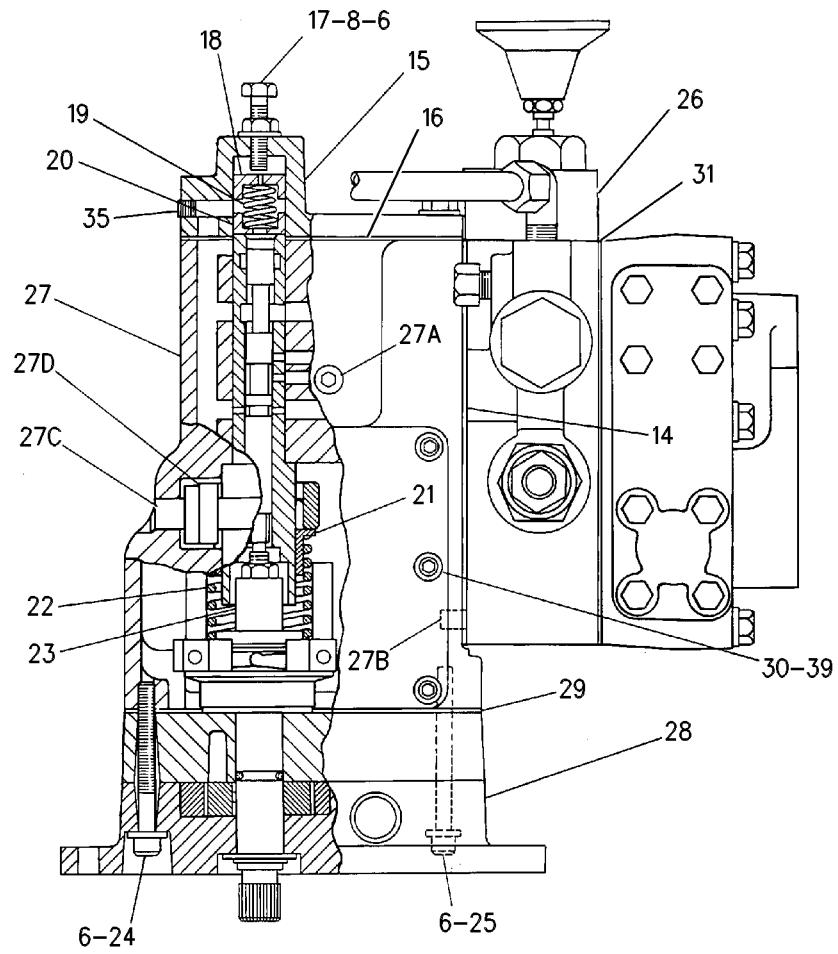
NOTE	REF NO	GRAPHIC REF	PART NUMBER	QTY	PART NAME						SEE PAGE
					1	2	3	4	5	6 (PRODUCT LEVEL)	
	1	2	2H-3880	2	SCREW-DRIVE (NO 2X0.125-IN)						
	2	2	5N-1782	1	PLATE-IDENTIFICATION (HYDROMECHANICAL SHUTOFF)						
	3	2	5N-6711	1	COVER						
	4	2	5N-2707	1	GASKET						
	5	2	5M-6213	6	PLUG-PIPE (1/4-18-THD)						
	6	1,2	5P-0537	22	WASHER-HARD (7.2X14.5X2-MM THK)						
	7	2	5N-2709	1	BOLT (1/4-28X2.5-IN)						
	8	1,2	6F-0612	2	NUT-JAM (1/4-28-THD)						
	9	2	4F-7957	3	BOLT (1/4-20X0.875-IN)						
Y	10	2	2W-9635	1	VALVE GP-FUEL SHUTOFF						1302
	12	2	2A-4781	5	BOLT (1/4-20X2.75-IN)						
	13	2	8S-4710	3	BOLT (1/4-20X4-IN)						
	14	1	5N-4718	1	GASKET						
	15	1	5N-4727	1	COVER						
	16	1	5N-2725	1	GASKET						
	17	1	5N-2716	1	BOLT (1/4-28X1.1-IN)						
	18	1	172-0264	1	SEAT						
	19	1	2N-7029	1	SPRING-CONTROL PIN						
	20	1	5N-4728	1	SEAT						
	21	1	6N-3504	1	SEAT-GOVERNOR SPRING						
	22	1	8M-1682	1	SPRING						
Y	23	1	5N-2718	1	VALVE GP-SPEED SENSING						1306
	24	1	6H-3958	1	BOLT-SOCKET HEAD (1/4-20X2.5-IN)						
	25	1	6J-2819	7	BOLT-SOCKET HEAD (1/4-20X2.75-IN)						
Y	26	1	5N-5990	1	VALVE GP-PRESSURE CONTROL						1305
	27	1	5N-6141	1	HOUSING AS-CONTROL						
	27A	1	5M-6214	1	PLUG (1/8-27 PTF)						
	27B	1	9L-9503	2	DOWEL-HOLLOW						
	27C	1	3N-5744	1	SHAFT						
	27D	1	3N-5755	1	LEVER						
CY	28	1	5N-1925	1	PUMP GP-GEROTOR						1254
	29	1	5N-3198	1	GASKET						
C	30	1	3K-6168	8	BOLT-SOCKET HEAD (10-32X0.625-IN)						
C	31	1	5N-8227	1	GASKET						
	32	2	032-1267	2	CONNECTOR (STRAIGHT)						
	33	2	5N-4990	1	TUBE AS						
	34	2	3R-6569	1	BOLT (1/4-20X0.875-IN)						
	35	1,2	3D-4603	2	PLUG-PIPE						
	36	2	032-1268	2	CONNECTOR (90-DEG)						
	37	2	6K-9194	1	ELBOW						
	38	2	7K-4128	1	TEE-FLARED						
C	39	1	3H-0240	8	WASHER (5X9.7X0.8-MM THK)						

C - CHANGE FROM PREVIOUS TYPE
Y - SEPARATE ILLUSTRATION

FUEL SYSTEM

5N-6051 SHUTOFF GP-CONTROL (contd.)

101336395



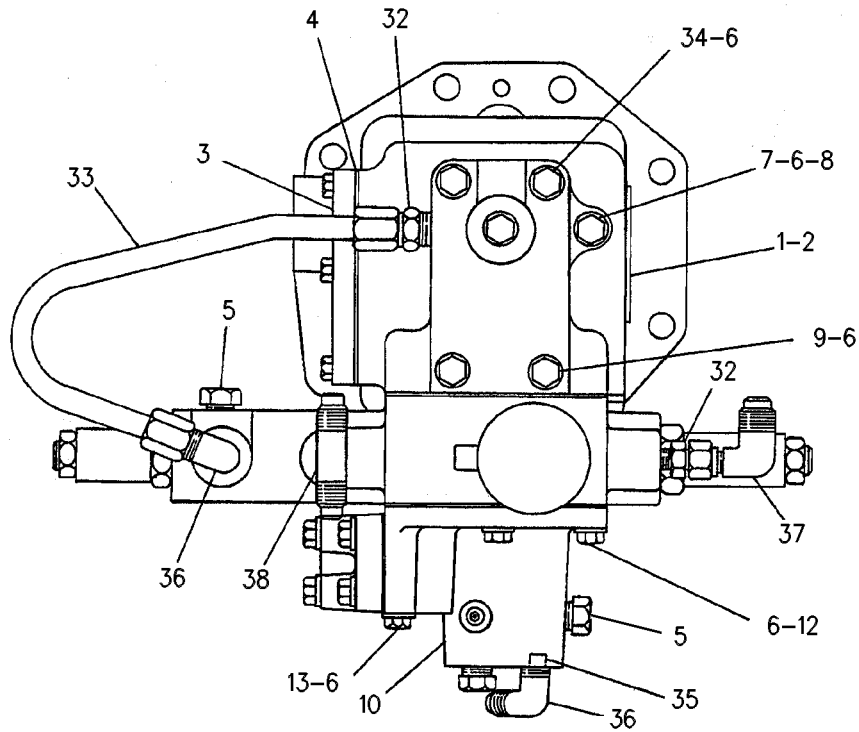
GRAPHIC #1

g00587079

FUEL SYSTEM

5N-6051 SHUTOFF GP-CONTROL (contd.)

101336395



GRAPHIC #2

<END>

g00582516

FUEL SYSTEM

172-0259 SHUTOFF GP-HYDROMECHANICAL

S/N: 50Y647-1304

AN ATTACHMENT

TYPE 1

SMCS-1085

i01251680

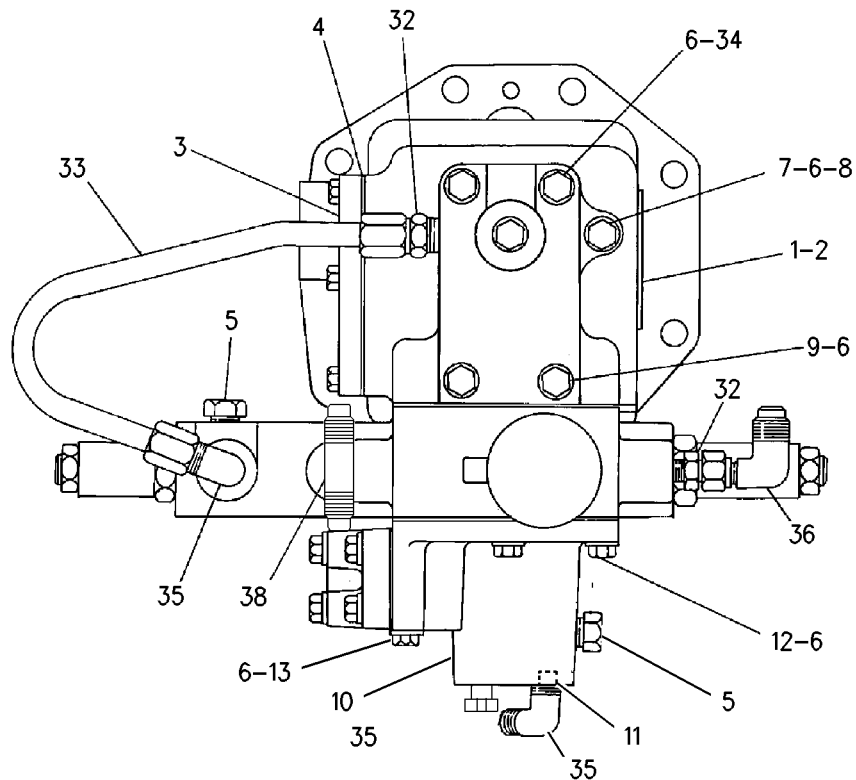
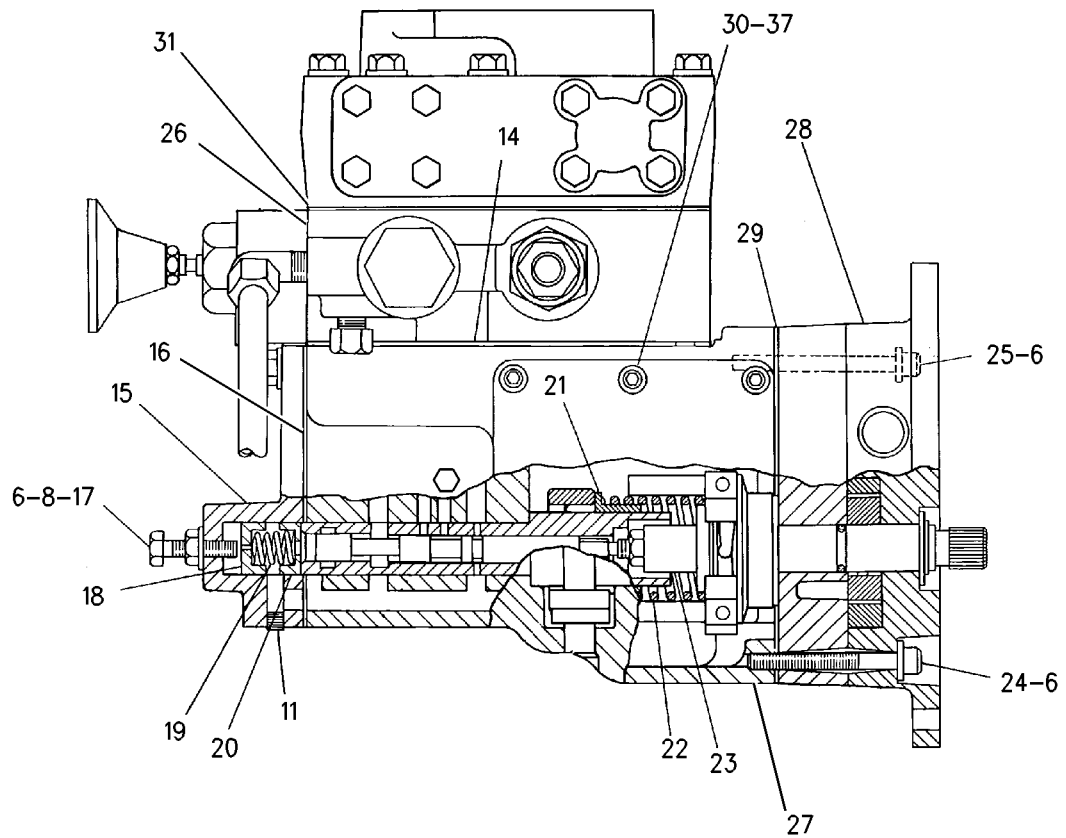
NOTE	REF NO	GRAPHIC REF	PART NUMBER	QTY	PART NAME						SEE PAGE
					1	2	3	4	5	6 (PRODUCT LEVEL)	
	1	1	2H-3880	2	SCREW-DRIVE (NO 2X0.125-IN)						
	2	1	5N-1782	1	PLATE-IDENTIFICATION (HYDROMECHANICAL SHUTOFF)						
	3	1	5N-6711	1	COVER						
	4	1	5N-2707	1	GASKET						
	5	1	5M-6213	6	PLUG-PIPE (1/4-18-THD)						
	6	1	5P-0537	22	WASHER-HARD (7.2X14.5X2-MM THK)						
	7	1	5N-2709	1	BOLT (1/4-28X2.5-IN)						
	8	1	6F-0612	2	NUT-JAM (1/4-28-THD)						
	9	1	4F-7957	3	BOLT (1/4-20X0.875-IN)						
Y	10	1	5N-6443	1	VALVE GP-FUEL SHUTOFF						1303
	11	1	3D-4603	2	PLUG-PIPE						
	12	1	2A-4781	5	BOLT (1/4-20X2.75-IN)						
	13	1	8S-4710	3	BOLT (1/4-20X4-IN)						
	14	1	5N-4718	1	GASKET						
	15	1	5N-4727	1	COVER						
	16	1	5N-2725	1	GASKET						
	17	1	5N-2716	1	BOLT (1/4-28X1.1-IN)						
	18	1	172-0264	1	SEAT						
	19	1	7B-7714	1	SPRING						
	20	1	5N-4728	1	SEAT						
	21	1	6N-3504	1	SEAT-GOVERNOR SPRING						
	22	1	3N-5751	1	SPRING						
Y	23	1	5N-2718	1	VALVE GP-SPEED SENSING						1306
	24	1	6H-3958	1	BOLT-SOCKET HEAD (1/4-20X2.5-IN)						
	25	1	6J-2819	7	BOLT-SOCKET HEAD (1/4-20X2.75-IN)						
Y	26	1	5N-5990	1	VALVE GP-PRESSURE CONTROL						1305
	27	1	5N-6141	1	HOUSING AS-CONTROL						
		1	3N-5744	1	SHAFT						
		1	3N-5755	1	LEVER						
		1	5M-6214	1	PLUG (1/8-27 PTF)						
		1	9L-9503	2	DOWEL-HOLLOW						
Y	28	1	172-0265	1	PUMP GP-GEROTOR						1252
	29	1	5N-3198	1	GASKET						
	30	1	3K-6168	8	BOLT-SOCKET HEAD (10-32X0.625-IN)						
	31	1	5N-8227	1	GASKET						
	32	1	032-1267	2	CONNECTOR (STRAIGHT)						
	33	1	5N-4990	1	TUBE AS						
	34	1	3R-6569	1	BOLT (1/4-20X0.875-IN)						
	35	1	032-1268	2	CONNECTOR (90-DEG)						
	36	1	6K-9194	1	ELBOW						
	37	1	3H-0240	8	WASHER (5X9.7X0.8-MM THK)						
	38	1	7K-4128	1	TEE-FLARED						

Y - SEPARATE ILLUSTRATION

FUEL SYSTEM

172-0259 SHUTOFF GP-HYDROMECHANICAL (contd.)

i01251680



GRAPHIC #1

<END>

g00667878

FUEL SYSTEM

172-0259 SHUTOFF GP-HYDROMECHANICAL

S/N: 50Y647-1304

AN ATTACHMENT

TYPE 2

SMCS-1085

i01761253

NOTE	REF NO	GRAPHIC REF	PART NUMBER	QTY	PART NAME						SEE PAGE
					1	2	3	4	5	6 (PRODUCT LEVEL)	
	1	1	2H-3880	2	SCREW-DRIVE (NO 2X0.125-IN)						
	2	1	5N-1782	1	PLATE-IDENTIFICATION (HYDROMECHANICAL SHUTOFF)						
	3	1	5N-6711	1	COVER						
	4	1	5N-2707	1	GASKET						
	5	1	5M-6213	6	PLUG-PIPE (1/4-18-THD)						
	6	1	5P-0537	22	WASHER-HARD (7.2X14.5X2-MM THK)						
	7	1	5N-2709	1	BOLT (1/4-28X2.5-IN)						
	8	1	6F-0612	2	NUT-JAM (1/4-28-THD)						
	9	1	4F-7957	3	BOLT (1/4-20X0.875-IN)						
Y	10	1	5N-6443	1	VALVE GP-FUEL SHUTOFF						1303
	11	1	3D-4603	2	PLUG-PIPE						
	12	1	2A-4781	5	BOLT (1/4-20X2.75-IN)						
	13	1	8S-4710	3	BOLT (1/4-20X4-IN)						
	14	1	5N-4718	1	GASKET						
	15	1	5N-4727	1	COVER						
	16	1	5N-2725	1	GASKET						
	17	1	5N-2716	1	BOLT (1/4-28X1.1-IN)						
	18	1	172-0264	1	SEAT						
	19	1	7B-7714	1	SPRING						
	20	1	5N-4728	1	SEAT						
	21	1	6N-3504	1	SEAT-GOVERNOR SPRING						
	22	1	3N-5751	1	SPRING						
Y	23	1	5N-2718	1	VALVE GP-SPEED SENSING						1306
	24	1	6H-3958	1	BOLT-SOCKET HEAD (1/4-20X2.5-IN)						
	25	1	6J-2819	7	BOLT-SOCKET HEAD (1/4-20X2.75-IN)						
CY	26	1	172-0269	1	VALVE GP-PRESSURE CONTROL						1304
	27	1	5N-6141	1	HOUSING AS-CONTROL						
		1	3N-5744	1	SHAFT						
		1	3N-5755	1	LEVER						
		1	5M-6214	1	PLUG (1/8-27 PTF)						
		1	9L-9503	2	DOWEL-HOLLOW						
Y	28	1	172-0265	1	PUMP GP-GEROTOR						1252
	29	1	5N-3198	1	GASKET						
	30	1	3K-6168	8	BOLT-SOCKET HEAD (10-32X0.625-IN)						
	31	1	5N-8227	1	GASKET						
	32	1	032-1267	2	CONNECTOR (STRAIGHT)						
	33	1	5N-4990	1	TUBE AS						
	34	1	3R-6569	1	BOLT (1/4-20X0.875-IN)						
	35	1	032-1268	2	CONNECTOR (90-DEG)						
	36	1	6K-9194	1	ELBOW						
	37	1	3H-0240	8	WASHER (5X9.7X0.8-MM THK)						
	38	1	7K-4128	1	TEE-FLARED						

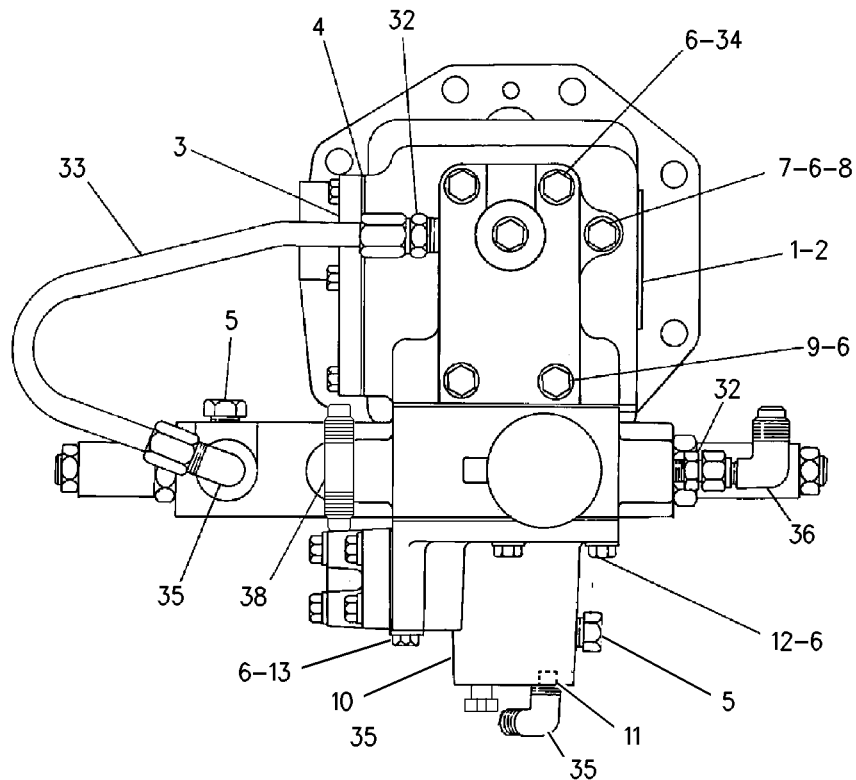
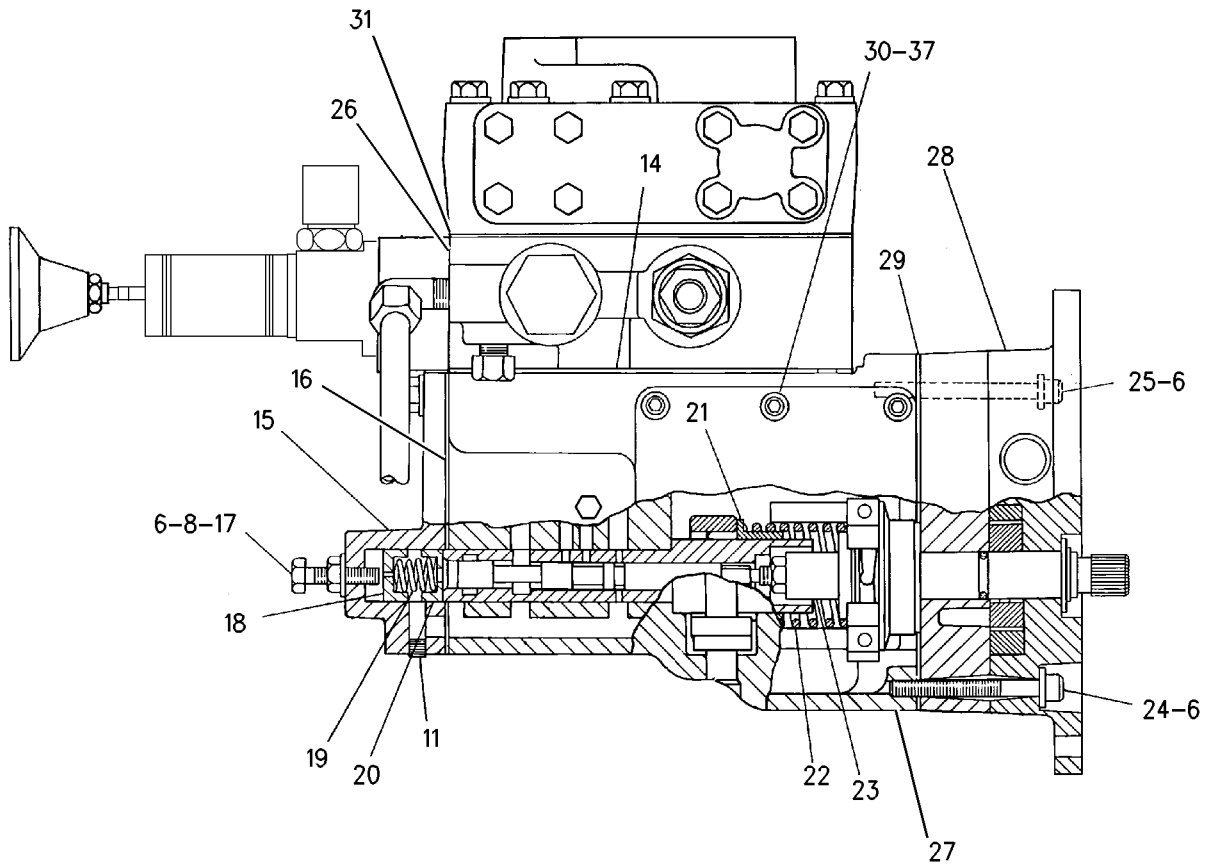
C - CHANGE FROM PREVIOUS TYPE

Y - SEPARATE ILLUSTRATION

FUEL SYSTEM

172-0259 SHUTOFF GP-HYDROMECHANICAL (contd.)

i01761253



GRAPHIC #1

<END>

g00688942

FUEL SYSTEM

172-0260 SHUTOFF GP-HYDROMECHANICAL

S/N: 50Y647-1304

AN ATTACHMENT

TYPE 1

SMCS-1085

i01251692

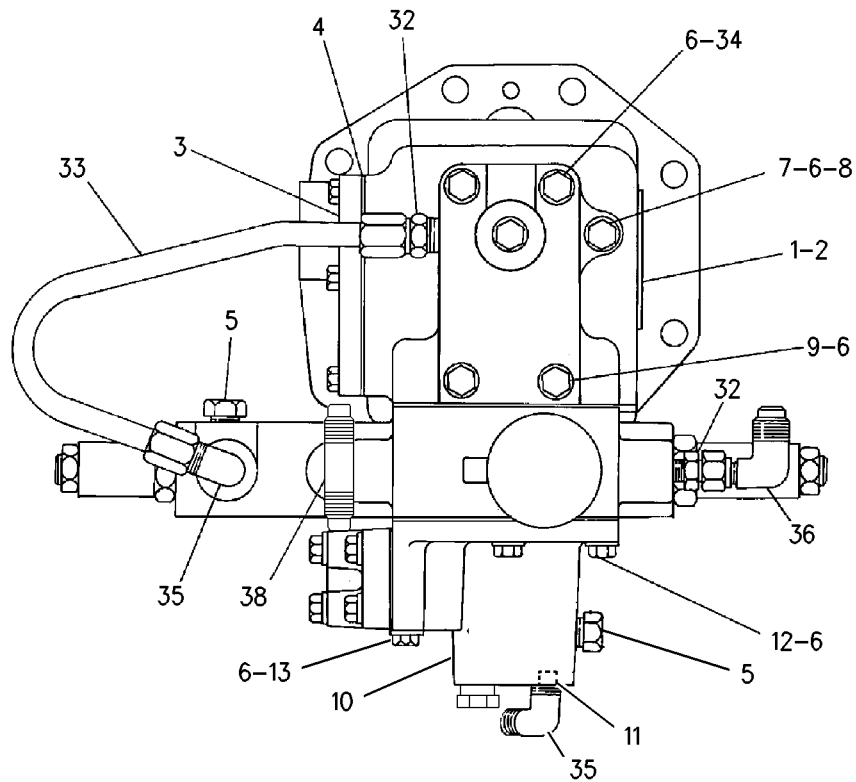
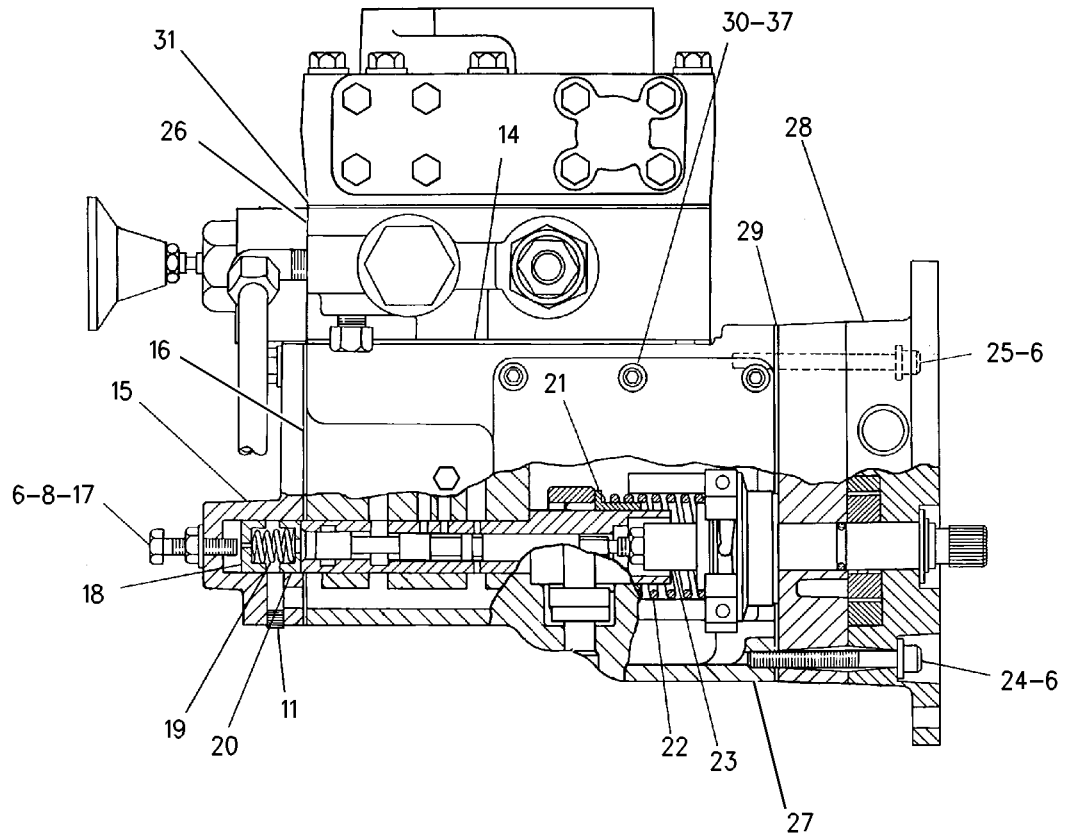
NOTE	REF NO	GRAPHIC REF	PART NUMBER	QTY	PART NAME						SEE PAGE
					1	2	3	4	5	6 (PRODUCT LEVEL)	
	1	1	2H-3880	2	SCREW-DRIVE (NO 2X0.125-IN)						
	2	1	5N-1782	1	PLATE-IDENTIFICATION (HYDROMECHANICAL SHUTOFF)						
	3	1	5N-6711	1	COVER						
	4	1	5N-2707	1	GASKET						
	5	1	5M-6213	6	PLUG-PIPE (1/4-18-THD)						
	6	1	5P-0537	22	WASHER-HARD (7.2X14.5X2-MM THK)						
	7	1	5N-2709	1	BOLT (1/4-28X2.5-IN)						
	8	1	6F-0612	2	NUT-JAM (1/4-28-THD)						
	9	1	4F-7957	3	BOLT (1/4-20X0.875-IN)						
Y	10	1	5N-6443	1	VALVE GP-FUEL SHUTOFF						1303
	11	1	3D-4603	2	PLUG-PIPE						
	12	1	2A-4781	5	BOLT (1/4-20X2.75-IN)						
	13	1	8S-4710	3	BOLT (1/4-20X4-IN)						
	14	1	5N-4718	1	GASKET						
	15	1	5N-4727	1	COVER						
	16	1	5N-2725	1	GASKET						
	17	1	5N-2716	1	BOLT (1/4-28X1.1-IN)						
	18	1	172-0264	1	SEAT						
	19	1	5N-5297	1	SPRING						
	20	1	5N-4728	1	SEAT						
	21	1	6N-3504	1	SEAT-GOVERNOR SPRING						
	22	1	3N-8403	1	SPRING						
Y	23	1	5N-2718	1	VALVE GP-SPEED SENSING						1306
	24	1	6H-3958	1	BOLT-SOCKET HEAD (1/4-20X2.5-IN)						
	25	1	6J-2819	7	BOLT-SOCKET HEAD (1/4-20X2.75-IN)						
Y	26	1	5N-5990	1	VALVE GP-PRESSURE CONTROL						1305
	27	1	5N-6141	1	HOUSING AS-CONTROL						
		1	3N-5744	1	SHAFT						
		1	3N-5755	1	LEVER						
		1	9F-2247	1	PLUG-PIPE						
		1	9L-9503	2	DOWEL-HOLLOW						
Y	28	1	172-0265	1	PUMP GP-GEROTOR						1252
	29	1	5N-3198	1	GASKET						
	30	1	3K-6168	8	BOLT-SOCKET HEAD (10-32X0.625-IN)						
	31	1	5N-8227	1	GASKET						
	32	1	032-1267	2	CONNECTOR (STRAIGHT)						
	33	1	5N-4990	1	TUBE AS						
	34	1	3R-6569	1	BOLT (1/4-20X0.875-IN)						
	35	1	032-1268	2	CONNECTOR (90-DEG)						
	36	1	6K-9194	1	ELBOW						
	37	1	3H-0240	8	WASHER (5X9.7X0.8-MM THK)						
	38	1	7K-4128	1	TEE-FLARED						

Y - SEPARATE ILLUSTRATION

FUEL SYSTEM

172-0260 SHUTOFF GP-HYDROMECHANICAL (contd.)

i01251692



GRAPHIC #1

<END>

g00669764

FUEL SYSTEM

172-0260 SHUTOFF GP-HYDROMECHANICAL

S/N: 50Y647-1304

AN ATTACHMENT

TYPE 2

SMCS-1085

i01761235

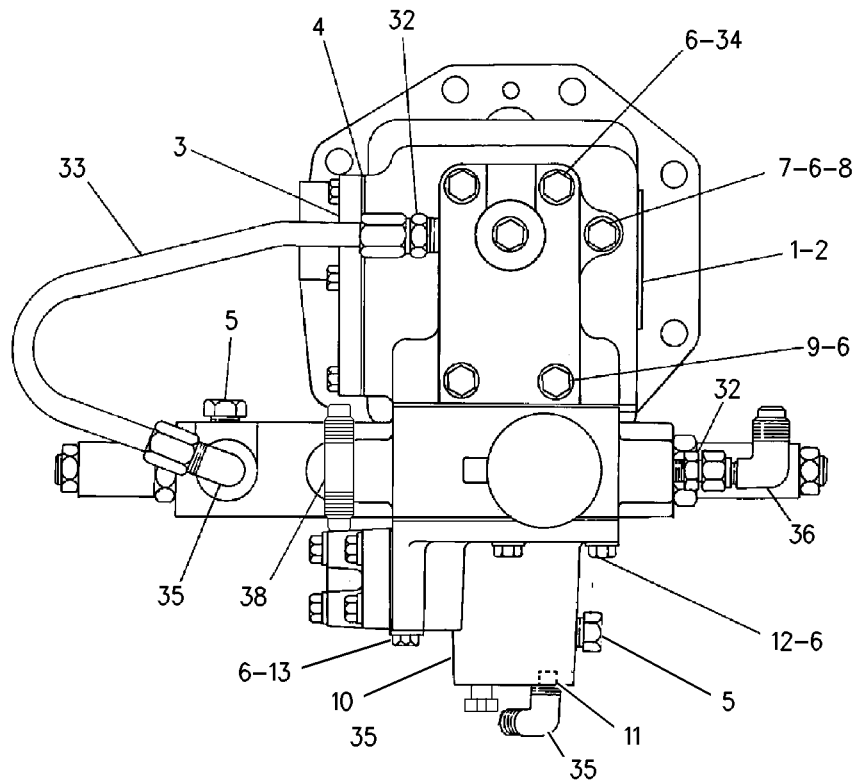
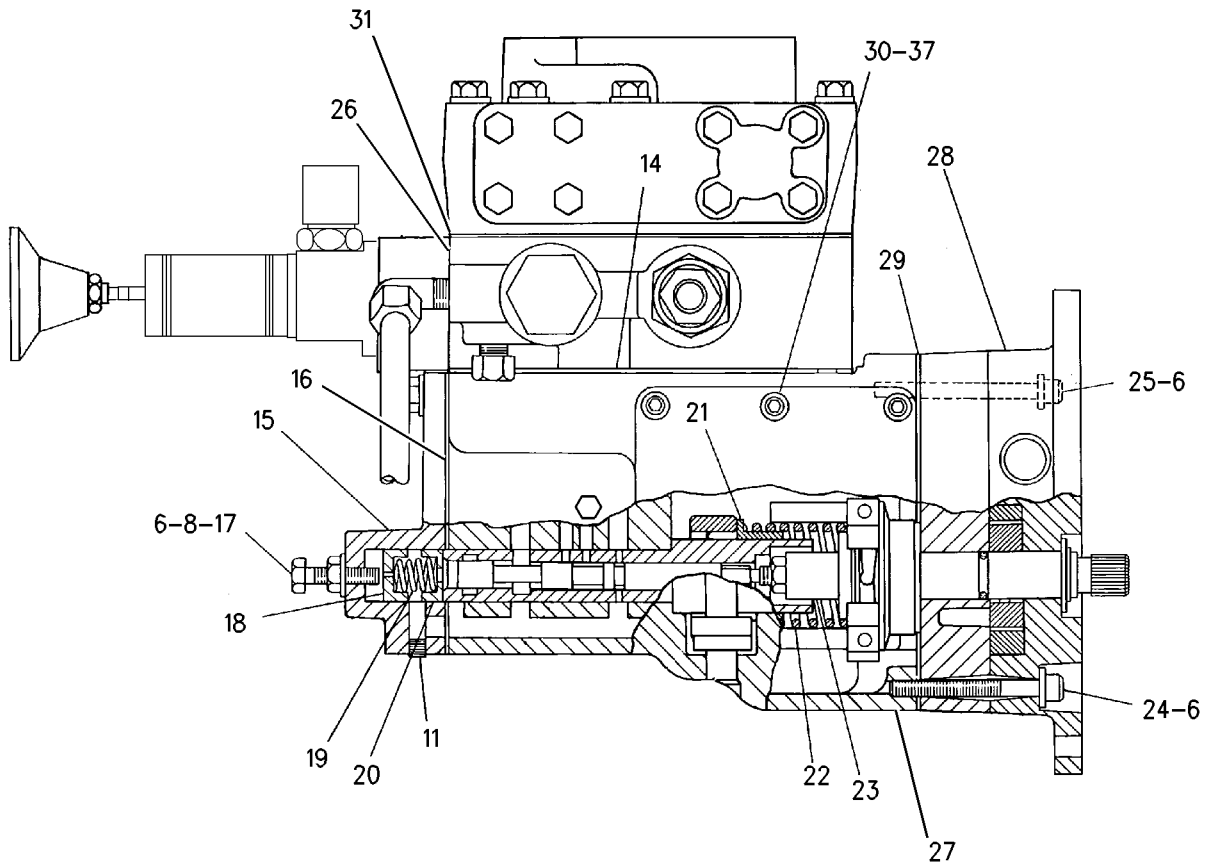
NOTE	REF NO	GRAPHIC REF	PART NUMBER	QTY	PART NAME						SEE PAGE
					1	2	3	4	5	6 (PRODUCT LEVEL)	
	1	1	2H-3880	2	SCREW-DRIVE (NO 2X0.125-IN)						
	2	1	5N-1782	1	PLATE-IDENTIFICATION (HYDROMECHANICAL SHUTOFF)						
	3	1	5N-6711	1	COVER						
	4	1	5N-2707	1	GASKET						
	5	1	5M-6213	6	PLUG-PIPE (1/4-18-THD)						
	6	1	5P-0537	22	WASHER-HARD (7.2X14.5X2-MM THK)						
	7	1	5N-2709	1	BOLT (1/4-28X2.5-IN)						
	8	1	6F-0612	2	NUT-JAM (1/4-28-THD)						
	9	1	4F-7957	3	BOLT (1/4-20X0.875-IN)						
Y	10	1	5N-6443	1	VALVE GP-FUEL SHUTOFF						1303
C	11	1	3D-4603	2	PLUG-PIPE						
	12	1	2A-4781	5	BOLT (1/4-20X2.75-IN)						
	13	1	8S-4710	3	BOLT (1/4-20X4-IN)						
	14	1	5N-4718	1	GASKET						
	15	1	5N-4727	1	COVER						
	16	1	5N-2725	1	GASKET						
	17	1	5N-2716	1	BOLT (1/4-28X1.1-IN)						
	18	1	172-0264	1	SEAT						
	19	1	5N-5297	1	SPRING						
	20	1	5N-4728	1	SEAT						
	21	1	6N-3504	1	SEAT-GOVERNOR SPRING						
	22	1	3N-8403	1	SPRING						
Y	23	1	5N-2718	1	VALVE GP-SPEED SENSING						1306
	24	1	6H-3958	1	BOLT-SOCKET HEAD (1/4-20X2.5-IN)						
	25	1	6J-2819	7	BOLT-SOCKET HEAD (1/4-20X2.75-IN)						
CY	26	1	172-0269	1	VALVE GP-PRESSURE CONTROL						1304
	27	1	5N-6141	1	HOUSING AS-CONTROL						
		1	3N-5744	1	SHAFT						
		1	3N-5755	1	LEVER						
		1	5M-6214	1	PLUG (1/8-27 PTF)						
		1	9L-9503	2	DOWEL-HOLLOW						
Y	28	1	172-0265	1	PUMP GP-GEROTOR						1252
	29	1	5N-3198	1	GASKET						
	30	1	3K-6168	8	BOLT-SOCKET HEAD (10-32X0.625-IN)						
	31	1	5N-8227	1	GASKET						
	32	1	032-1267	2	CONNECTOR (STRAIGHT)						
	33	1	5N-4990	1	TUBE AS						
	34	1	3R-6569	1	BOLT (1/4-20X0.875-IN)						
	35	1	032-1268	2	CONNECTOR (90-DEG)						
	36	1	6K-9194	1	ELBOW						
	37	1	3H-0240	8	WASHER (5X9.7X0.8-MM THK)						
	38	1	7K-4128	1	TEE-FLARED						

C - CHANGE FROM PREVIOUS TYPE
Y - SEPARATE ILLUSTRATION

FUEL SYSTEM

172-0260 SHUTOFF GP-HYDROMECHANICAL (contd.)

i01761235



GRAPHIC #1

<END>

g00688958

FUEL SYSTEM

172-0261 SHUTOFF GP-HYDROMECHANICAL

S/N: 66Z190-578

AN ATTACHMENT

TYPE 1

SMCS-1085

i01254028

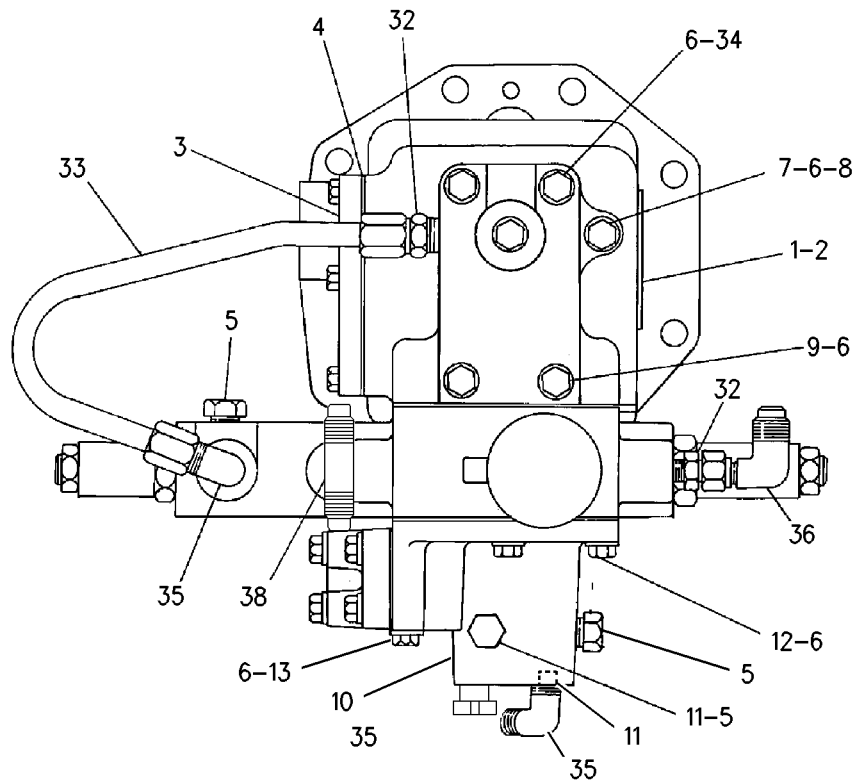
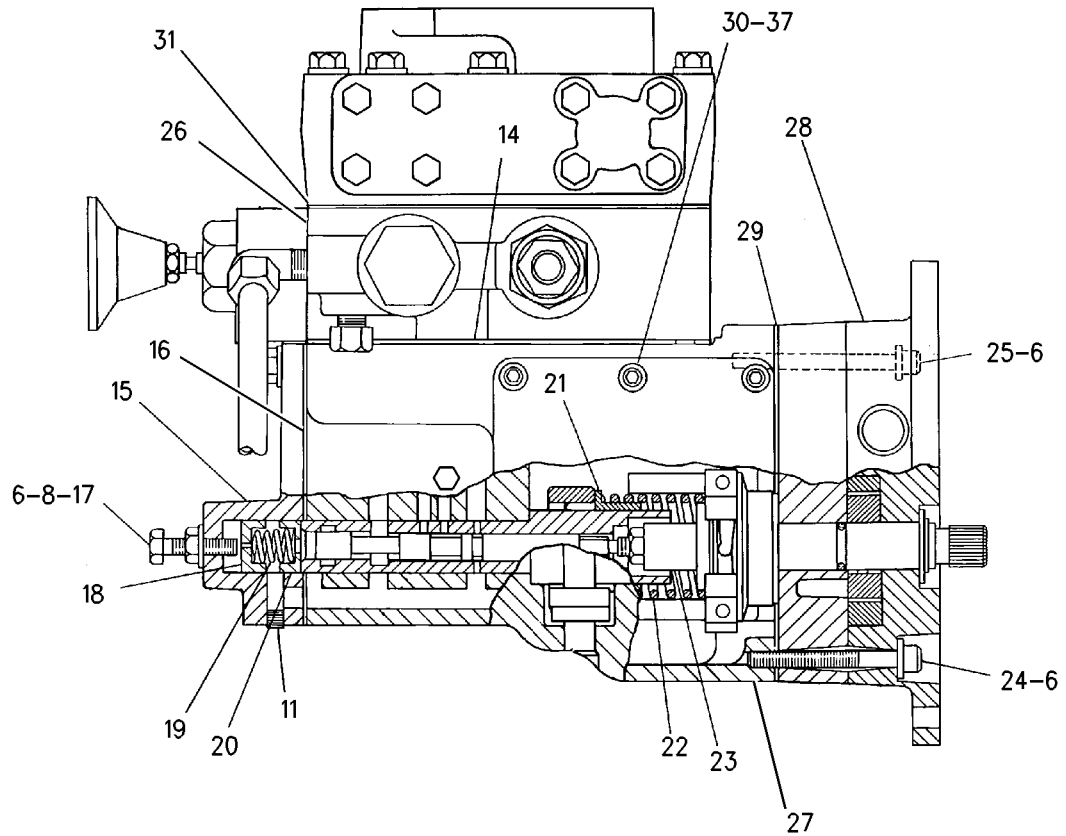
NOTE	REF NO	GRAPHIC REF	PART NUMBER	QTY	PART NAME	SEE PAGE
					1 2 3 4 5 6 (PRODUCT LEVEL)	
	1	1	2H-3880	2	SCREW-DRIVE (NO 2X0.125-IN)	
	2	1	5N-1782	1	PLATE-IDENTIFICATION (HYDROMECHANICAL SHUTOFF)	
	3	1	5N-6711	1	COVER	
	4	1	5N-2707	1	GASKET	
	5	1	5M-6213	6	PLUG-PIPE (1/4-18-THD)	
	6	1	5P-0537	22	WASHER-HARD (7.2X14.5X2-MM THK)	
	7	1	5N-2709	1	BOLT (1/4-28X2.5-IN)	
	8	1	6F-0612	2	NUT-JAM (1/4-28-THD)	
	9	1	4F-7957	3	BOLT (1/4-20X0.875-IN)	
Y	10	1	5N-6443	1	VALVE GP-FUEL SHUTOFF	1303
	11	1	3D-4603	2	PLUG-PIPE	
	12	1	2A-4781	5	BOLT (1/4-20X2.75-IN)	
	13	1	8S-4710	3	BOLT (1/4-20X4-IN)	
	14	1	5N-4718	1	GASKET	
	15	1	5N-4727	1	COVER	
	16	1	5N-2725	1	GASKET	
	17	1	5N-2716	1	BOLT (1/4-28X1.1-IN)	
	18	1	172-0264	1	SEAT	
	19	1	2N-7029	1	SPRING-CONTROL PIN	
	20	1	5N-4728	1	SEAT	
	21	1	6N-3504	1	SEAT-GOVERNOR SPRING	
	22	1	8M-1682	1	SPRING	
Y	23	1	5N-2718	1	VALVE GP-SPEED SENSING	1306
	24	1	6H-3958	1	BOLT-SOCKET HEAD (1/4-20X2.5-IN)	
	25	1	6J-2819	7	BOLT-SOCKET HEAD (1/4-20X2.75-IN)	
Y	26	1	5N-5990	1	VALVE GP-PRESSURE CONTROL	1305
	27	1	5N-6141	1	HOUSING AS-CONTROL	
		1	3N-5744	1	SHAFT	
		1	3N-5755	1	LEVER	
		1	5M-6214	1	PLUG (1/8-27 PTF)	
		1	9L-9503	2	DOWEL-HOLLOW	
Y	28	1	172-0265	1	PUMP GP-GEROTOR	1252
	29	1	5N-3198	1	GASKET	
	30	1	3K-6168	8	BOLT-SOCKET HEAD (10-32X0.625-IN)	
	31	1	5N-8227	1	GASKET	
	32	1	032-1267	2	CONNECTOR (STRAIGHT)	
	33	1	5N-4990	1	TUBE AS	
	34	1	3R-6569	1	BOLT (1/4-20X0.875-IN)	
	35	1	032-1268	2	CONNECTOR (90-DEG) (90 DEGREE)	
	36	1	6K-9194	1	ELBOW	
	37	1	3H-0240	8	WASHER (5X9.7X0.8-MM THK)	
	38	1	7K-4128	1	TEE-FLARED	

Y - SEPARATE ILLUSTRATION

FUEL SYSTEM

172-0261 SHUTOFF GP-HYDROMECHANICAL (contd.)

i01254028



GRAPHIC #1

<END>

g00668290

FUEL SYSTEM

172-0261 SHUTOFF GP-HYDROMECHANICAL

S/N: 66Z190-578

AN ATTACHMENT

TYPE 2

SMCS-1085

i01761159

NOTE	REF NO	GRAPHIC REF	PART NUMBER	QTY	PART NAME						SEE PAGE
					1	2	3	4	5	6 (PRODUCT LEVEL)	
	1	1	2H-3880	2	SCREW-DRIVE (NO 2X0.125-IN)						
	2	1	5N-1782	1	PLATE-IDENTIFICATION (HYDROMECHANICAL SHUTOFF)						
	3	1	5N-6711	1	COVER						
	4	1	5N-2707	1	GASKET						
	5	1	5M-6213	6	PLUG-PIPE (1/4-18-THD)						
	6	1	5P-0537	22	WASHER-HARD (7.2X14.5X2-MM THK)						
	7	1	5N-2709	1	BOLT (1/4-28X2.5-IN)						
	8	1	6F-0612	2	NUT-JAM (1/4-28-THD)						
	9	1	4F-7957	3	BOLT (1/4-20X0.875-IN)						
Y	10	1	5N-6443	1	VALVE GP-FUEL SHUTOFF						1303
C	11	1	3D-4603	1	PLUG-PIPE						
	12	1	2A-4781	5	BOLT (1/4-20X2.75-IN)						
	13	1	8S-4710	3	BOLT (1/4-20X4-IN)						
	14	1	5N-4718	1	GASKET						
	15	1	5N-4727	1	COVER						
	16	1	5N-2725	1	GASKET						
	17	1	5N-2716	1	BOLT (1/4-28X1.1-IN)						
	18	1	172-0264	1	SEAT						
	19	1	2N-7029	1	SPRING-CONTROL PIN						
	20	1	5N-4728	1	SEAT						
	21	1	6N-3504	1	SEAT-GOVERNOR SPRING						
	22	1	8M-1682	1	SPRING						
Y	23	1	5N-2718	1	VALVE GP-SPEED SENSING						1306
	24	1	6H-3958	1	BOLT-SOCKET HEAD (1/4-20X2.5-IN)						
	25	1	6J-2819	7	BOLT-SOCKET HEAD (1/4-20X2.75-IN)						
CY	26	1	172-0269	1	VALVE GP-PRESSURE CONTROL						1304
	27	1	5N-6141	1	HOUSING AS-CONTROL						
	27A	1	3N-5744	1	SHAFT						
	27B	1	3N-5755	1	LEVER						
	27C	1	5M-6214	1	PLUG (1/8-27 PTF)						
		1	9L-9503	2	DOWEL-HOLLOW						
Y	28	1	172-0265	1	PUMP GP-GEROTOR						1252
	29	1	5N-3198	1	GASKET						
	30	1	3K-6168	8	BOLT-SOCKET HEAD (10-32X0.625-IN)						
	31	1	5N-8227	1	GASKET						
	32	1	032-1267	2	CONNECTOR (STRAIGHT)						
	33	1	5N-4990	1	TUBE AS						
	34	1	3R-6569	1	BOLT (1/4-20X0.875-IN)						
	35	1	032-1268	2	CONNECTOR (90-DEG) (90 DEGREE)						
	36	1	6K-9194	1	ELBOW						
	37	1	3H-0240	8	WASHER (5X9.7X0.8-MM THK)						
	38	1	7K-4128	1	TEE-FLARED						

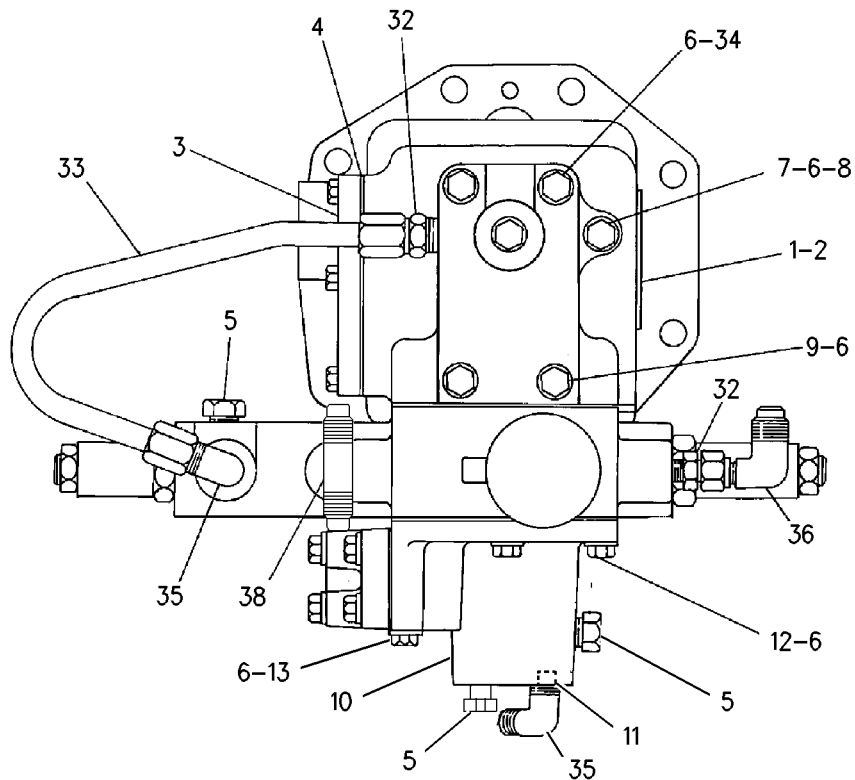
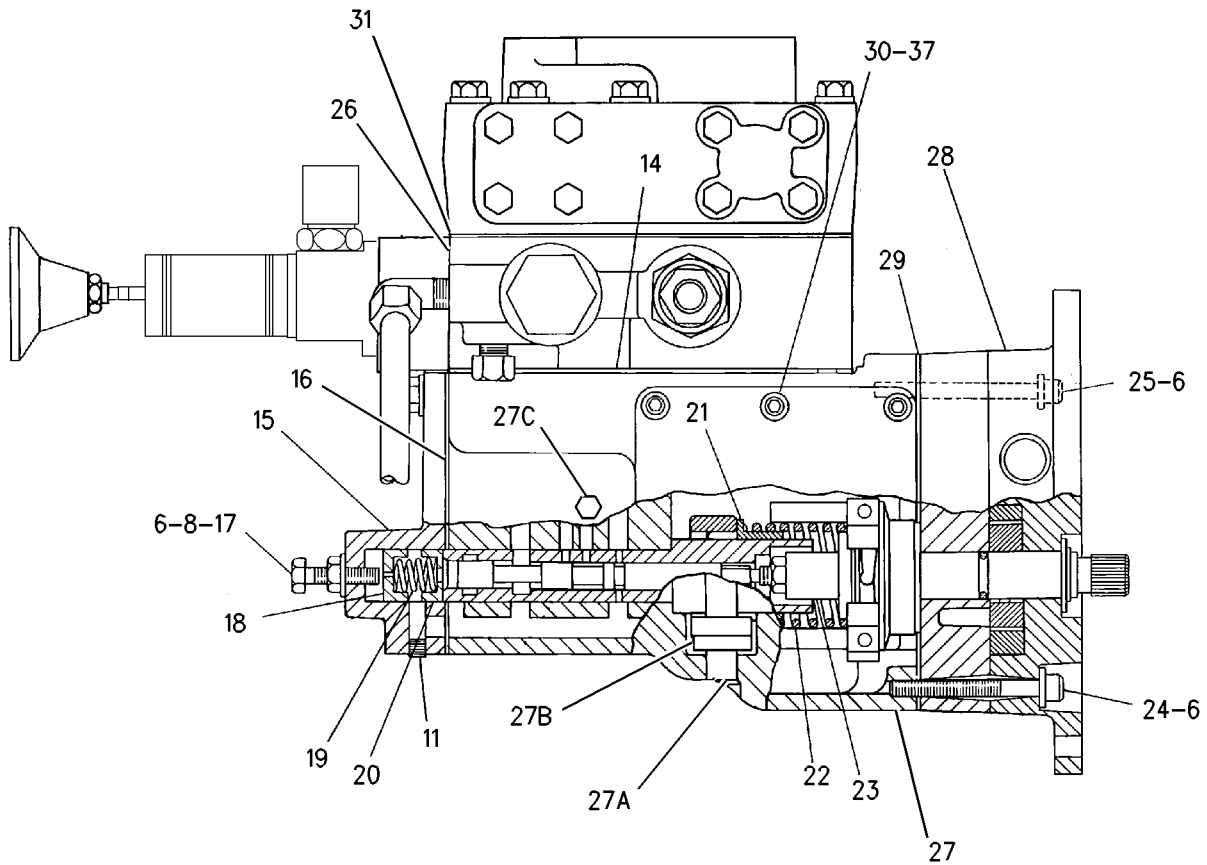
C - CHANGE FROM PREVIOUS TYPE

Y - SEPARATE ILLUSTRATION

FUEL SYSTEM

172-0261 SHUTOFF GP-HYDROMECHANICAL (contd.)

i01761159



GRAPHIC #1

<END>

g00688973

FUEL SYSTEM

5N-5338 SHUTOFF GP-HYDROMECHANICAL

S/N: 50Y647-1304

FOR USAGE REFER TO CHART 5N-5382-PAGE: 2100, 7W-7326-PAGE: 2102
AN ATTACHMENT

SMCS-1085

i02669510

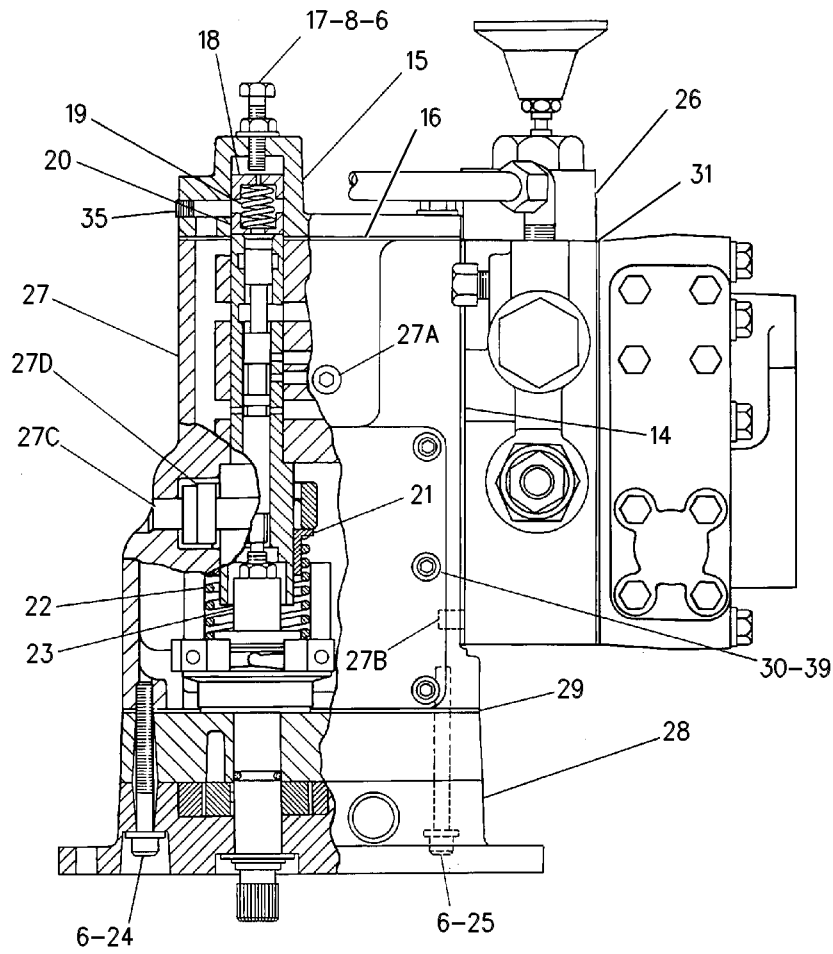
NOTE	REF NO	GRAPHIC REF	PART NUMBER	QTY	PART NAME						SEE PAGE
					1	2	3	4	5	6 (PRODUCT LEVEL)	
	1	2	2H-3880	2	SCREW-DRIVE (NO 2X0.125-IN)						
	2	2	5N-1782	1	PLATE-IDENTIFICATION (HYDROMECHANICAL SHUTOFF)						
	3	2	5N-6711	1	COVER						
	4	2	5N-2707	1	GASKET						
	5	2	5M-6213	6	PLUG-PIPE (1/4-18-THD)						
	6	1,2	5P-0537	22	WASHER-HARD (7.2X14.5X2-MM THK)						
	7	2	5N-2709	1	BOLT (1/4-28X2.5-IN)						
	8	1,2	6F-0612	2	NUT-JAM (1/4-28-THD)						
	9	2	4F-7957	3	BOLT (1/4-20X0.875-IN)						
Y	10	2	2W-9635	1	VALVE GP-FUEL SHUTOFF						1302
	12	2	2A-4781	5	BOLT (1/4-20X2.75-IN)						
	13	2	8S-4710	3	BOLT (1/4-20X4-IN)						
	14	1	5N-4718	1	GASKET						
	15	1	5N-4727	1	COVER						
	16	1	5N-2725	1	GASKET						
	17	1	5N-2716	1	BOLT (1/4-28X1.1-IN)						
	18	1	172-0264	1	SEAT						
	19	1	5N-5297	1	SPRING						
	20	1	5N-4728	1	SEAT						
	21	1	6N-3504	1	SEAT-GOVERNOR SPRING						
	22	1	3N-8403	1	SPRING						
Y	23	1	5N-2718	1	VALVE GP-SPEED SENSING						1306
	24	1	6H-3958	1	BOLT-SOCKET HEAD (1/4-20X2.5-IN)						
	25	1	6J-2819	7	BOLT-SOCKET HEAD (1/4-20X2.75-IN)						
Y	26	1	5N-5990	1	VALVE GP-PRESSURE CONTROL						1305
	27	1	5N-6141	1	HOUSING AS-CONTROL						
	27A	1	5M-6214	1	PLUG (1/8-27 PTF)						
	27B	1	9L-9503	2	DOWEL-HOLLOW						
	27C	1	3N-5744	1	SHAFT						
	27D	1	3N-5755	1	LEVER						
CY	28	1	5N-1925	1	PUMP GP-GEROTOR						1254
	29	1	5N-3198	1	GASKET						
C	30	1	3K-6168	8	BOLT-SOCKET HEAD (10-32X0.625-IN)						
C	31	1	5N-8227	1	GASKET						
	32	2	032-1267	2	CONNECTOR (STRAIGHT)						
	33	2	5N-4990	1	TUBE AS						
	34	2	3R-6569	1	BOLT (1/4-20X0.875-IN)						
	35	1,2	3D-4603	2	PLUG-PIPE						
	36	2	032-1268	2	CONNECTOR (90-DEG)						
	37	2	6K-9194	1	ELBOW						
	38	2	7K-4128	1	TEE-FLARED						
C	39	1	3H-0240	8	WASHER (5X9.7X0.8-MM THK)						

C - CHANGE FROM PREVIOUS TYPE
Y - SEPARATE ILLUSTRATION

FUEL SYSTEM

5N-5338 SHUTOFF GP-HYDROMECHANICAL (contd.)

102669510



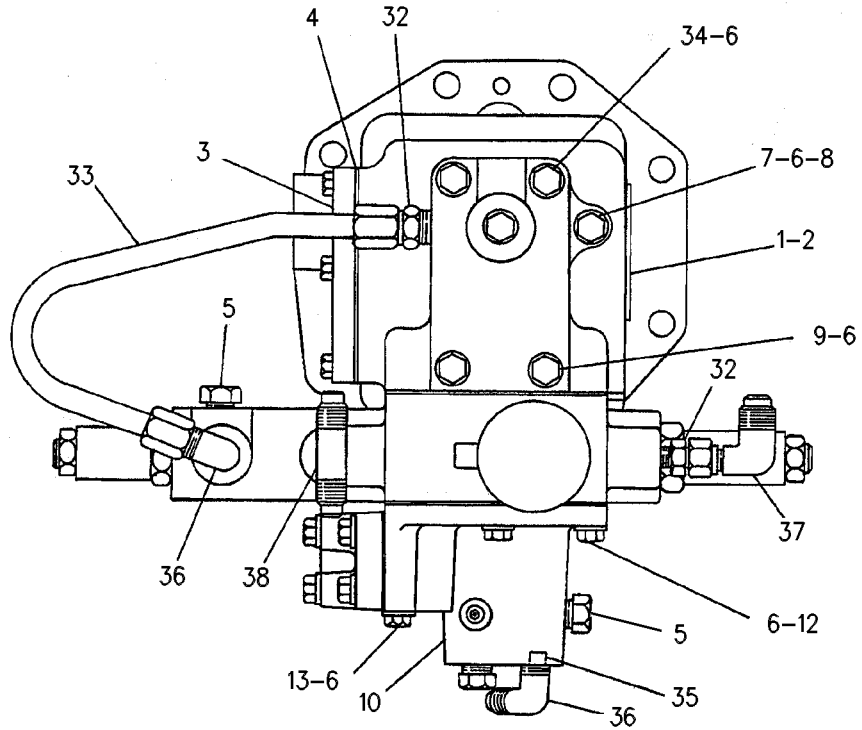
GRAPHIC #1

g00587079

FUEL SYSTEM

5N-5338 SHUTOFF GP-HYDROMECHANICAL (contd.)

102669510



GRAPHIC #2

<END>

g00582516

FUEL SYSTEM

5N-5608 SHUTOFF GP-HYDROMECHANICAL

S/N: 50Y647-1304

PROVIDES OVERSPEED PROTECTION FOR ENGINES RATED AT 1800 RPM
FOR USAGE REFER TO CHART 5N-5382-PAGE: 2100
PART OF 7W-7323 SHUTOFF GP-HYDROMECHANICAL
AN ATTACHMENT

SMCS-1085

i01104963

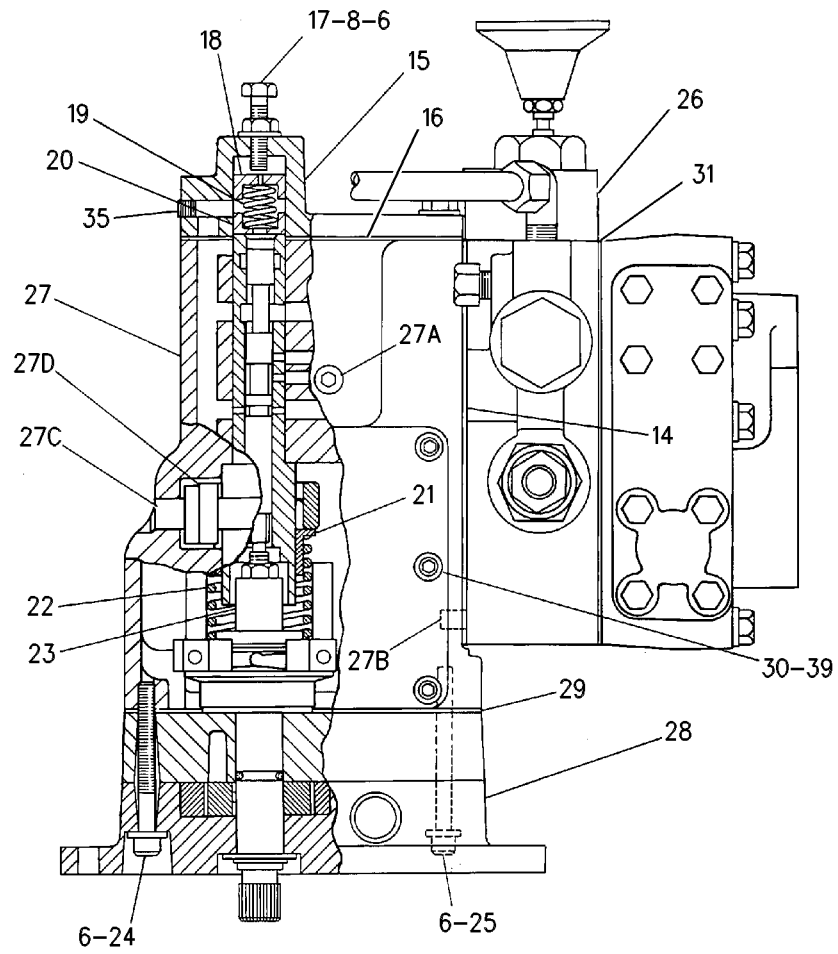
NOTE	REF NO	GRAPHIC REF	PART NUMBER	QTY	PART NAME 1 2 3 4 5 6 (PRODUCT LEVEL)	SEE PAGE
	1	2	2H-3880	2	SCREW-DRIVE (NO 2X0.125-IN)	
	2	2	5N-1782	1	PLATE-IDENTIFICATION (HYDROMECHANICAL SHUTOFF)	
	3	2	5N-6711	1	COVER	
	4	2	5N-2707	1	GASKET	
	5	2	5M-6213	6	PLUG-PIPE (1/4-18-THD)	
	6	1,2	5P-0537	22	WASHER-HARD (7.2X14.5X2-MM THK)	
	7	2	5N-2709	1	BOLT (1/4-28X2.5-IN)	
	8	1,2	6F-0612	2	NUT-JAM (1/4-28-THD)	
	9	2	4F-7957	3	BOLT (1/4-20X0.875-IN)	
Y	10	2	2W-9635	1	VALVE GP-FUEL SHUTOFF	1302
	12	2	2A-4781	5	BOLT (1/4-20X2.75-IN)	
	13	2	8S-4710	3	BOLT (1/4-20X4-IN)	
	14	1	5N-4718	1	GASKET	
	15	1	5N-4727	1	COVER	
	16	1	5N-2725	1	GASKET	
	17	1	5N-2716	1	BOLT (1/4-28X1.1-IN)	
	18	1	172-0264	1	SEAT	
	19	1	7B-7714	1	SPRING	
	20	1	5N-4728	1	SEAT	
	21	1	6N-3504	1	SEAT-GOVERNOR SPRING	
	22	1	3N-5751	1	SPRING	
Y	23	1	5N-2718	1	VALVE GP-SPEED SENSING	1306
	24	1	6H-3958	1	BOLT-SOCKET HEAD (1/4-20X2.5-IN)	
	25	1	6J-2819	7	BOLT-SOCKET HEAD (1/4-20X2.75-IN)	
Y	26	1	5N-5990	1	VALVE GP-PRESSURE CONTROL	1305
	27	1	5N-6141	1	HOUSING AS-CONTROL	
	27A	1	5M-6214	1	PLUG (1/8-27 PTF)	
	27B	1	9L-9503	2	DOWEL-HOLLOW	
	27C	1	3N-5744	1	SHAFT	
	27D	1	3N-5755	1	LEVER	
CY	28	1	5N-1925	1	PUMP GP-GEROTOR	1254
	29	1	5N-3198	1	GASKET	
C	30	1	3K-6168	8	BOLT-SOCKET HEAD (10-32X0.625-IN)	
C	31	1	5N-8227	1	GASKET	
	32	2	032-1267	2	CONNECTOR (STRAIGHT)	
	33	2	5N-4990	1	TUBE AS	
	34	2	3R-6569	1	BOLT (1/4-20X0.875-IN)	
	35	1,2	3D-4603	2	PLUG-PIPE	
	36	2	032-1268	2	CONNECTOR (90-DEG)	
	37	2	6K-9194	1	ELBOW	
	38	2	7K-4128	1	TEE-FLARED	
C	39	1	3H-0240	8	WASHER (5X9.7X0.8-MM THK)	

C - CHANGE FROM PREVIOUS TYPE
Y - SEPARATE ILLUSTRATION

FUEL SYSTEM

5N-5608 SHUTOFF GP-HYDROMECHANICAL (contd.)

i01104963



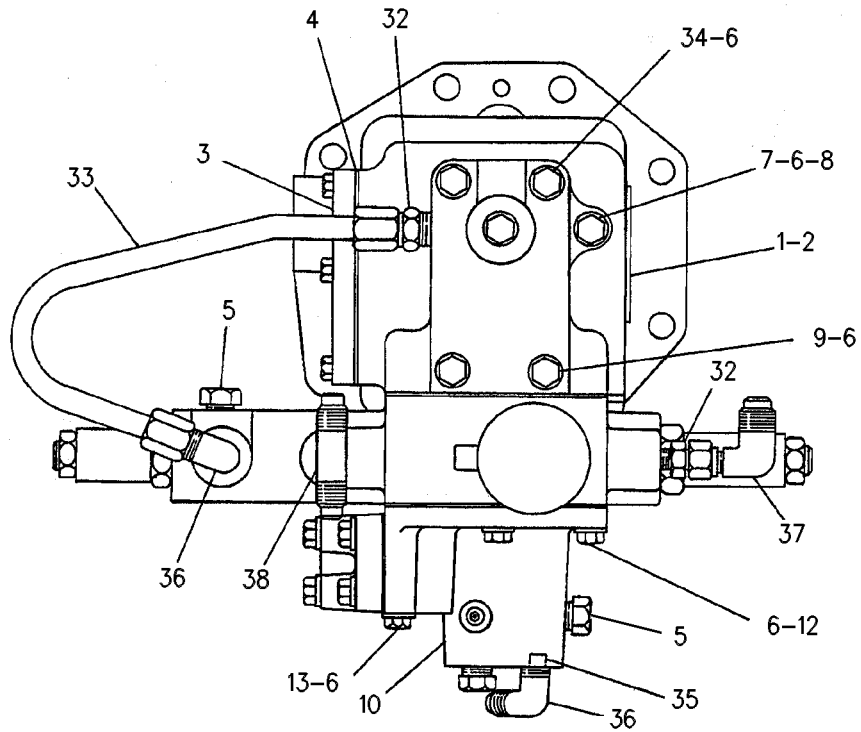
GRAPHIC #1

g00587079

FUEL SYSTEM

5N-5608 SHUTOFF GP-HYDROMECHANICAL (contd.)

i01104963



GRAPHIC #2

<END>

g00582516

FUEL SYSTEM

7W-7323 SHUTOFF GP-HYDROMECHANICAL

S/N: 50Y647-1304

FOR USAGE REFER TO CHART 7W-7326-PAGE: 2102
AN ATTACHMENT

SMCS-1085

i01421317

NOTE	PART NUMBER	QTY	PART NAME 1 2 3 4 5 6 (PRODUCT LEVEL)	SEE PAGE
Y	4W-6882	1	DRIVE GP-ACCESSORY	190
Y	2W-4927	1	LINES GP-DIVERTER VALVE	1169
Y	2W-6108	1	LINES GP-SHUTOFF (AIR)	1506
Y	4W-6885	1	LINES GP-SHUTOFF	1509
-OR-				
CY	4P-5020	1	LINES GP-SHUTOFF	1508
Y	5N-5608	1	SHUTOFF GP-HYDROMECHANICAL	1292
Y	1W-4862	1	SHUTOFF GP-REMOTE	1299

C - CHANGE FROM PREVIOUS TYPE
Y - SEPARATE ILLUSTRATION

<END>

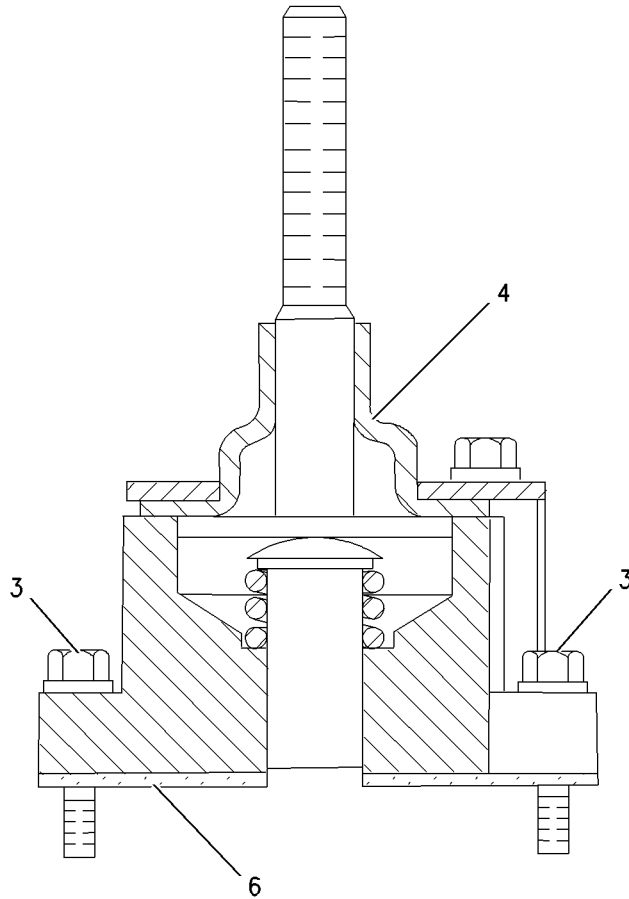
FUEL SYSTEM

1W-4861 SHUTOFF GP-MANUAL AN ATTACHMENT

SMCS-1265, 1704, 7418

i05401866

NOTE	REF NO	GRAPHIC REF	PART NUMBER	QTY	PART NAME						SEE PAGE
					1	2	3	4	5	6 (PRODUCT LEVEL)	
	3	1	2W-0138	2	SCREW-FORMING (1/4-20X1-IN)						
	4	1	2W-2324	1	BOOT-SHUTOFF						
	6	1	1W-9782	1	GASKET-SHUTOFF						



GRAPHIC #1

<END>

g00716661

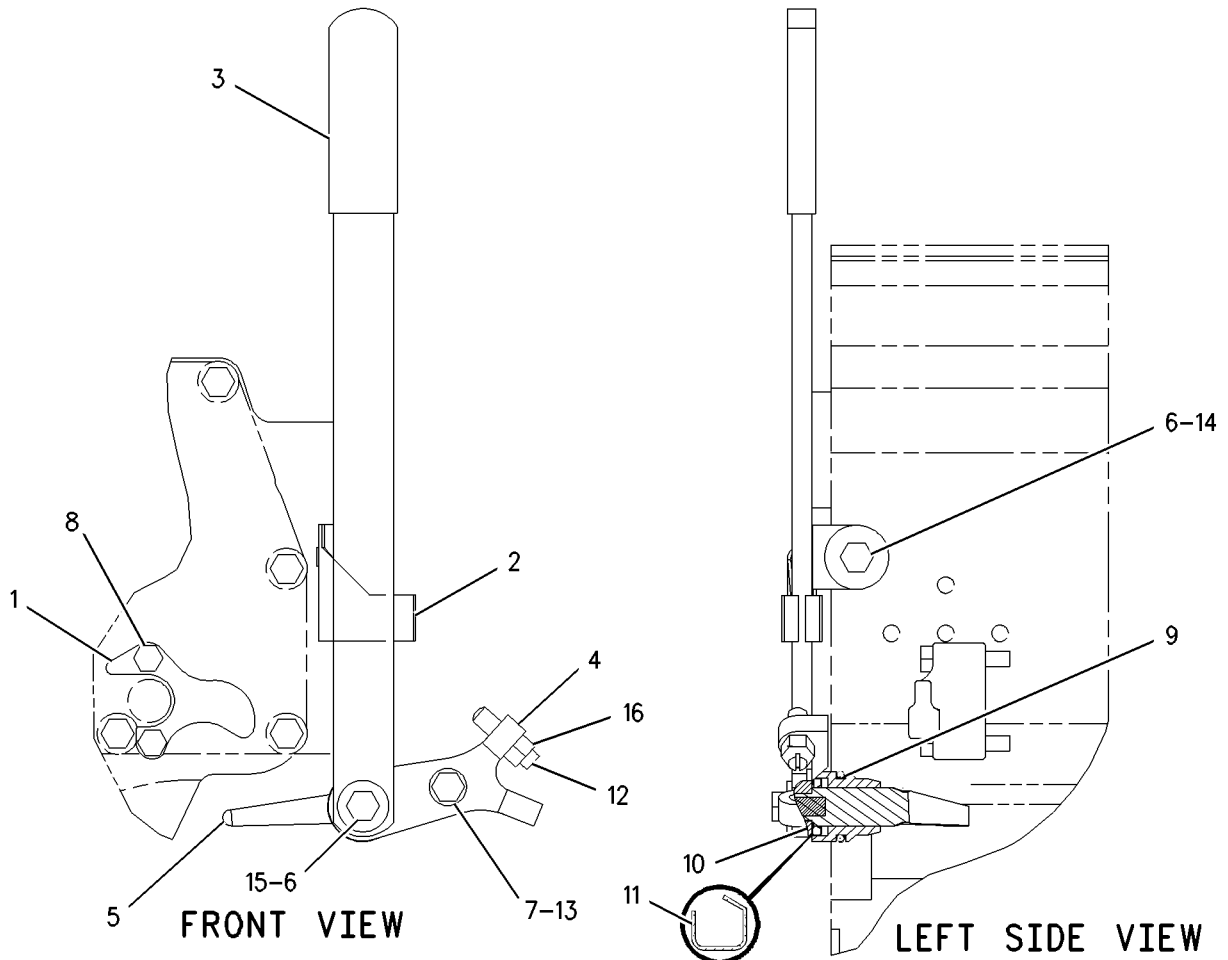
FUEL SYSTEM

2W-5531 SHUTOFF GP-MANUAL-LH FOR USE WITH RH MOUNTED GOVERNOR AN ATTACHMENT

SMCS-1265, 1704, 7418

i02178663

NOTE	REF NO	GRAPHIC REF	PART NUMBER	QTY	PART NAME						SEE PAGE
					1	2	3	4	5	6 (PRODUCT LEVEL)	
	1	1	2W-5530	1	LEVER						
	2	1	7N-5906	1	CLIP						
	3	1	7N-5907	1	LEVER-SHUTOFF						
	4	1	7N-9941	1	ADAPTER-SHUTOFF						
	5	1	7N-9942	1	LEVER-SHUTOFF						
	6	1	0S-0509	2	BOLT (3/8-16X0.75-IN)						
	7	1	0S-1594	1	BOLT (3/8-16X1-IN)						
	8	1	1A-9579	2	BOLT (5/16-18X1.5-IN)						
	9	1	2H-3932	1	SEAL-O-RING						
	10	1	2J-6356	1	RING-RETAINING						
	11	1	3K-2593	1	SEAL-LIP TYPE						
	12	1	4B-3643	1	SETSCREW						
	13	1	5M-2894	1	WASHER-HARD (10.2X18.5X2.5-MM THK)						
	14	1	6N-8863	1	WASHER (10.2X32X2.5-MM THK)						
	15	1	9L-9132	1	WASHER (10.2X25.5X2.5-MM THK)						
	16	1	9S-8752	1	NUT-FULL (3/8-16-THD)						



GRAPHIC #1

<END>

g00882405

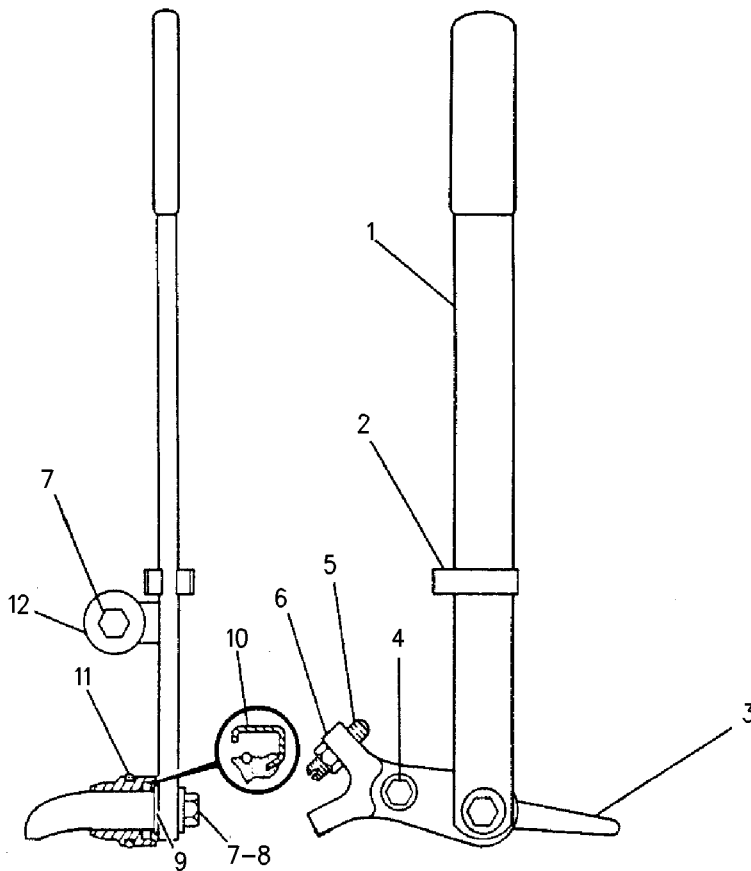
FUEL SYSTEM

7N-4869 SHUTOFF GP-MANUAL-RH, LH MOUNTED

SMCS-1265, 1704, 7418

i02178660

NOTE	REF NO	GRAPHIC REF	PART NUMBER	QTY	PART NAME						SEE PAGE
					1	2	3	4	5	6 (PRODUCT LEVEL)	
	1	1	7N-5907	1	LEVER-SHUTOFF						
	2	1	7N-5906	1	CLIP						
	3	1	7N-9942	1	LEVER-SHUTOFF						
	4	1	0S-1594	1	BOLT (3/8-16X1-IN)						
		1	5M-2894	1	WASHER-HARD (10.2X18.5X2.5-MM THK)						
	5	1	4B-3643	1	SETSCREW						
		1	9S-8752	1	NUT-FULL (3/8-16-THD)						
	6	1	7N-9941	1	ADAPTER-SHUTOFF						
	7	1	0S-0509	2	BOLT (3/8-16X0.75-IN)						
	8	1	9L-9132	1	WASHER (10.2X25.5X2.5-MM THK)						
	9	1	2J-6356	1	RING-RETAINING						
	10	1	3K-2593	1	SEAL-LIP TYPE						
	11	1	2H-3932	1	SEAL-O-RING						
	12	1	6N-8863	1	WASHER (10.2X32X2.5-MM THK)						



GRAPHIC #1

<END>

g00727315

FUEL SYSTEM

1W-4862 SHUTOFF GP-REMOTE

HYDRAULIC-PNEUMATIC

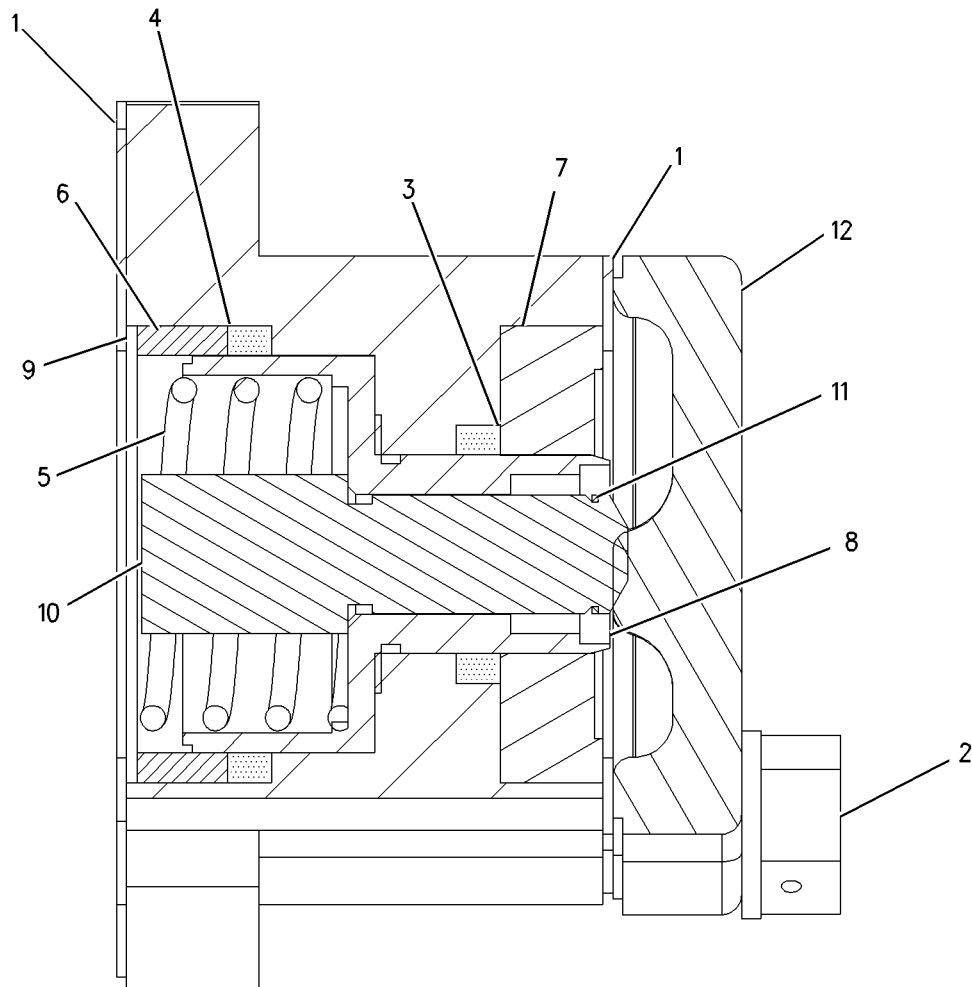
FOR USE WITH 3161 GOVERNORS

PART OF 7W-7322 SHUTOFF GP-ELECTRICAL, 7W-7323 SHUTOFF GP-HYDROMECHANICAL
AN ATTACHMENT

SMCS-1704, 7418

i02357916

NOTE	REF NO	GRAPHIC REF	PART NUMBER	QTY	PART NAME						SEE PAGE
					1	2	3	4	5	6	
	1	1	1W-9782	2	GASKET - SHUTOFF						
	2	1	2W-0138	2	SCREW-FORMING (1/4-20X1-IN)						
	3	1	2W-2327	1	SEAL						
	4	1	2W-2328	1	SEAL						
	5	1	2W-2330	1	SPRING - SHUTOFF						
	6	1	2W-4609	1	RING - SHUTOFF						
	7	1	2W-4611	1	GUIDE - SHUTOFF						
	8	1	2W-4621	1	PISTON - SHUTOFF						
	9	1	2W-5013	1	HOUSING - SHUTOFF						
	10	1	4W-3170	1	PLUNGER						
	11	1	7W-7101	1	RING - SNAP						
	12	1	164-8926	1	COVER (SHUTDOWN)						



GRAPHIC #1

<END>

g00813341

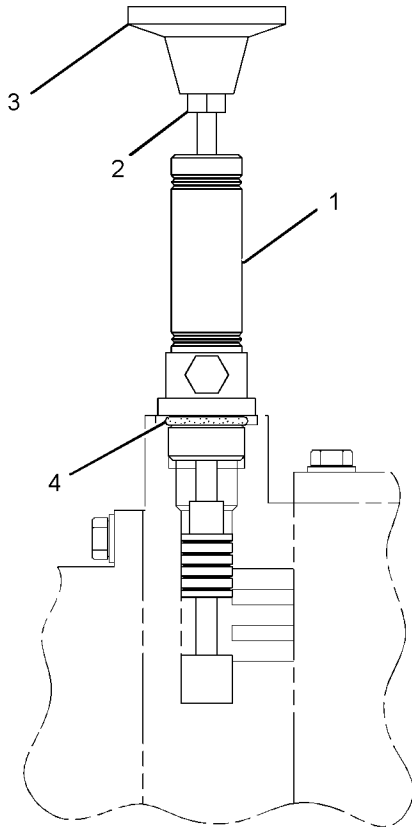
FUEL SYSTEM

5N-5880 SHUTOFF GP-REMOTE PNEUMATIC/HYDRAULIC FUEL & AIR FOR USAGE REFER TO CHART 7W-7326-PAGE: 2102 AN ATTACHMENT

SMCS-1704, 7418

i02429002

NOTE	REF NO	GRAPHIC REF	PART NUMBER	QTY	PART NAME						SEE PAGE
					1	2	3	4	5	6 (PRODUCT LEVEL)	
	1	1	5N-7408	1	CYLINDER (PNEUMATIC)						
	2	1	6V-8187	1	NUT (1/4-28-THD)						
	3	1	9K-6765	1	KNOB						
	4	1	7L-2224	1	SEAL-O-RING						



GRAPHIC #1

<END>

g01247897

FUEL SYSTEM

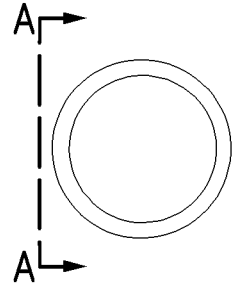
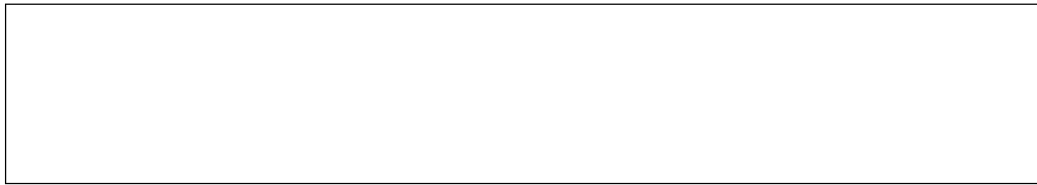
173-1800 TUBE

3.76-MM ID, 4.52-MM OD. TEFLON
FIELD REPLACEMENT FOR 2W-0242 TUBE-TEFLON
FIELD INSTALLATION

SMCS-1264

i01422776

NOTE	REF NO	GRAPHIC REF	PART NUMBER	QTY	PART NAME	SEE PAGE
					1 2 3 4 5 6 (PRODUCT LEVEL)	
(NO SERVICED PARTS)						



VIEW A-A

GRAPHIC #1

<END>

g00746129

FUEL SYSTEM

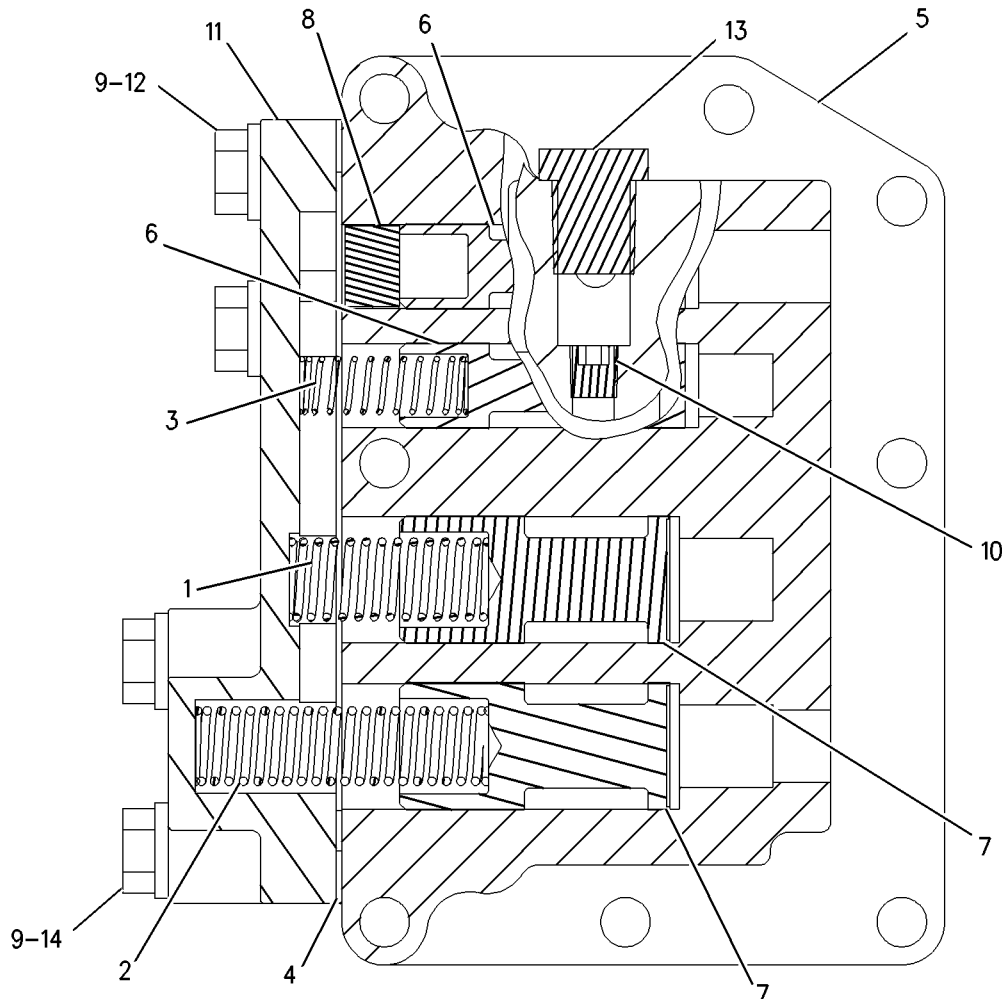
2W-9635 VALVE GP-FUEL SHUTOFF

PART OF 172-0262, 5N-6050, 5N-6051 SHUTOFF GP-CONTROL, 5N-5338, 5N-5608 SHUTOFF GP-HYDROMECHANICAL AN ATTACHMENT

SMCS-1273, 1274

i01724829

NOTE	REF NO	GRAPHIC REF	PART NUMBER	QTY	PART NAME						SEE PAGE
					1	2	3	4	5	6	
	1	1	3N-5738	1	SPRING						
	2	1	3N-5739	1	SPRING						
	3	1	3N-5757	1	SPRING						
	4	1	5N-2720	1	GASKET						
	5	1	5N-2724	1	BODY-VALVE						
	6	1	5N-2885	2	VALVE AS						
	7	1	5N-2886	2	VALVE AS						
	8	1	5N-6442	1	SPACER (8.28-MM THK)						
	9	1	5P-0537	8	WASHER-HARD (7.2X14.5X2-MM THK)						
	10	1	8J-6815	1	PLUG-ORIFICE						
	11	1	9Y-8733	1	COVER						
	12	1	0S-1616	4	BOLT (1/4-20X1-IN)						
	13	1	5M-6213	1	PLUG-PIPE (1/4-18-THD)						
	14	1	7B-8167	4	BOLT (1/4-20X1.625-IN)						



GRAPHIC #1

<END>

g00920817

FUEL SYSTEM

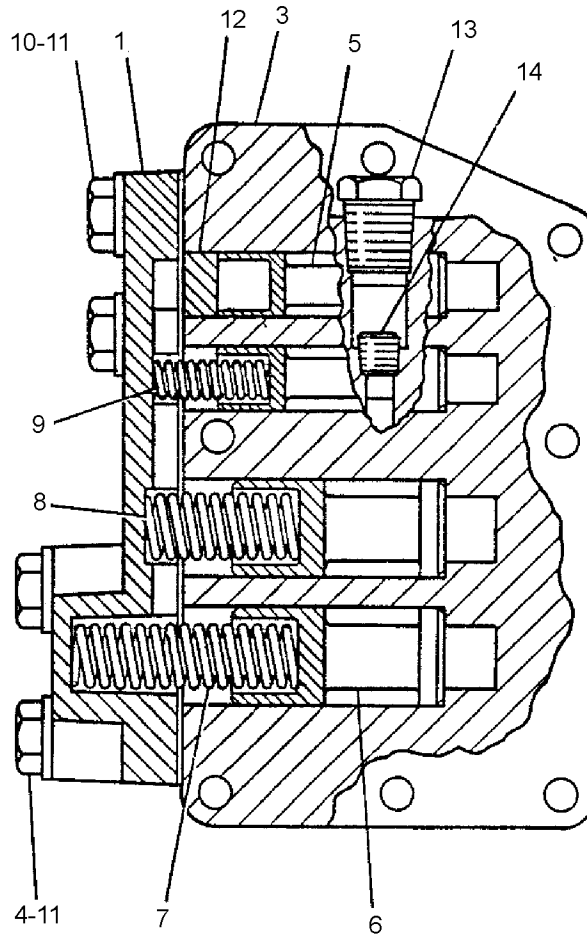
5N-6443 VALVE GP-FUEL SHUTOFF

PART OF 172-0262 SHUTOFF GP-CONTROL, 172-0259, 172-0260, 172-0261 SHUTOFF GP-HYDROMECHANICAL AN ATTACHMENT

SMCS-1273, 1274

i03397749

NOTE	REF NO	GRAPHIC REF	PART NUMBER	QTY	PART NAME						SEE PAGE
					1	2	3	4	5	6 (PRODUCT LEVEL)	
	1	1	331-7163	1	COVER						
	2	1	5N-2720	1	GASKET						
	3	1	5N-2724	1	BODY-VALVE						
	4	1	7B-8167	4	BOLT (1/4-20X1.625-IN)						
	5	1	5N-2885	2	VALVE AS						
	6	1	5N-2886	2	VALVE AS						
	7	1	3N-5739	1	SPRING						
	8	1	3N-5738	1	SPRING						
	9	1	3N-5757	1	SPRING						
	10	1	0S-1616	4	BOLT (1/4-20X1-IN)						
	11	1	5P-0537	8	WASHER-HARD (7.2X14.5X2-MM THK)						
	12	1	5N-6442	1	SPACER (8.28-MM THK)						
	13	1	5M-6213	1	PLUG-PIPE (1/4-18-THD)						
	14	1	3D-4603	1	PLUG-PIPE						



GRAPHIC #1

<END>

g01241073

FUEL SYSTEM

172-0269 VALVE GP-PRESSURE CONTROL

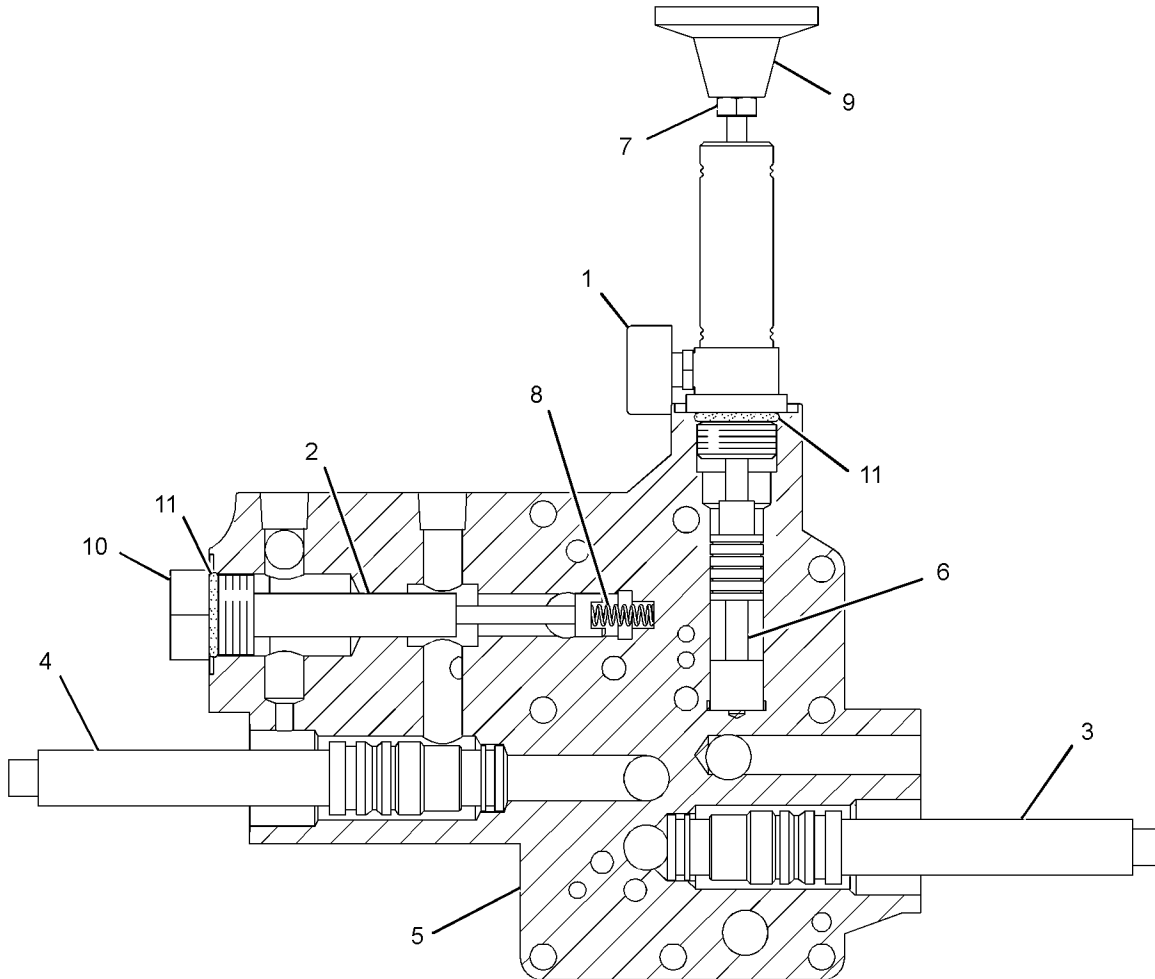
PART OF 172-0262 SHUTOFF GP-CONTROL, 172-0259, 172-0260, 172-0261 SHUTOFF GP-HYDROMECHANICAL AN ATTACHMENT

SMCS-1715

i03345892

NOTE	REF NO	GRAPHIC REF	PART NUMBER	QTY	PART NAME						SEE PAGE
					1	2	3	4	5	6	
	1	1	3K-6905	1	VALVE-BREATHER						
	2	1	5N-4722	1	VALVE (PILOT)						
Y	3	1	5N-4749	1	VALVE GP-CONTROL (RACK SHUTOFF)						1830
Y	4	1	5N-5755	1	VALVE GP-CONTROL (AIR SHUTOFF)						1831
	5	1	327-3519	1	BODY AS-VALVE						
		1	9L-9503	2	DOWEL-HOLLOW						
	6	1	5N-7408	1	CYLINDER (PNEUMATIC)						
	7	1	6V-8187	1	NUT (1/4-28-THD)						
	8	1	8H-8731	1	SPRING						
	9	1	9K-6765	1	KNOB						
	10	1	6V-0740	1	PLUG						
	11	1	6V-4589	2	SEAL-O-RING						

Y - SEPARATE ILLUSTRATION



GRAPHIC #1

<END>

g01836935

FUEL SYSTEM

5N-5990 VALVE GP-PRESSURE CONTROL

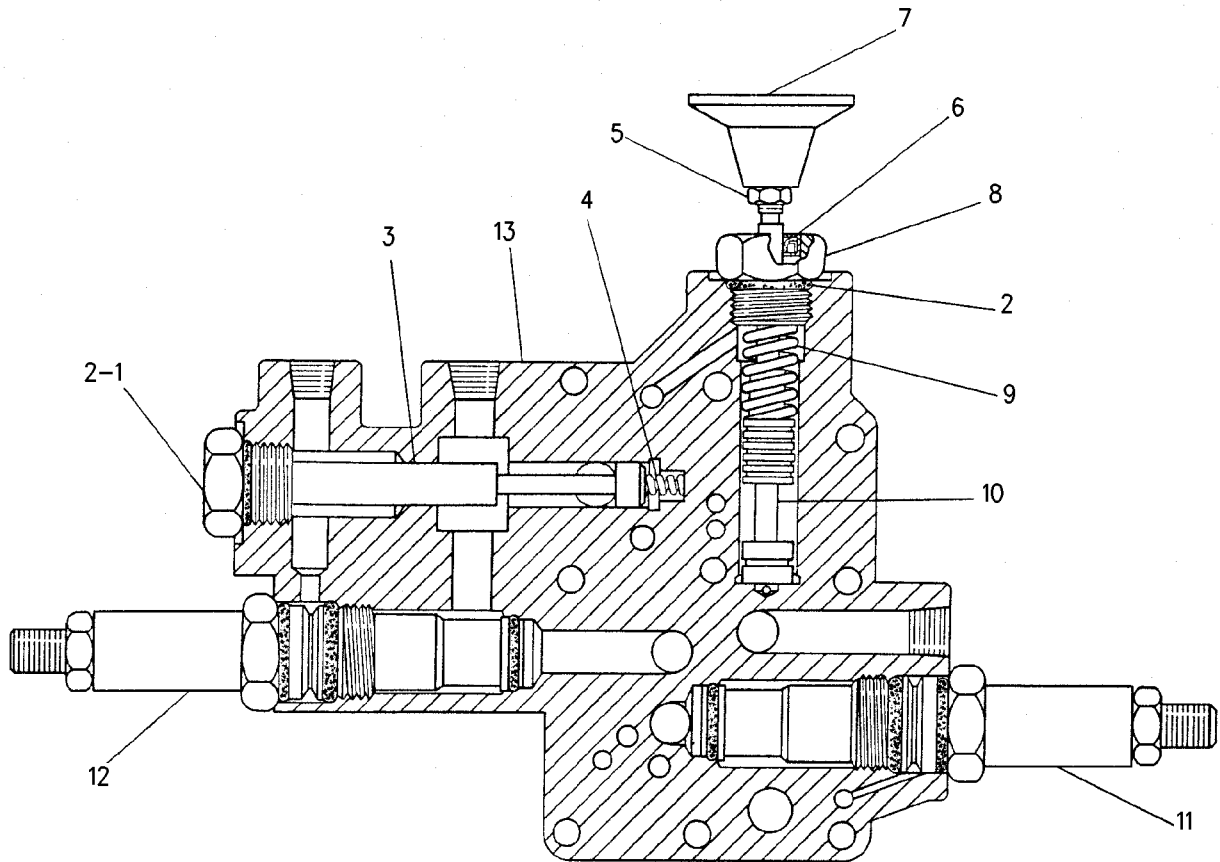
PART OF 172-0262, 5N-6050, 5N-6051 SHUTOFF GP-CONTROL, 172-0259, 172-0260, 172-0261,
5N-5338, 5N-5608 SHUTOFF GP-HYDROMECHANICAL
AN ATTACHMENT

SMCS-1715

i02668233

NOTE	REF NO	GRAPHIC REF	PART NUMBER	QTY	PART NAME						SEE PAGE
					1	2	3	4	5	6	
	1	1	6V-0740	1	PLUG						
	2	1	6V-4589	2	SEAL-O-RING						
	3	1	5N-4722	1	VALVE						
	4	1	8H-8731	1	SPRING						
	5	1	6F-0612	1	NUT-JAM (1/4-28-THD)						
C	6	1	6V-5029	1	SEAL-LIP TYPE						
	7	1	9K-6765	1	KNOB						
C	8	1	7W-5235	1	ADAPTER						
	9	1	5N-6096	1	SPRING						
C	10	1	7W-5236	1	VALVE						
Y	11	1	5N-5755	1	VALVE GP-CONTROL						1831
Y	12	1	5N-4749	1	VALVE GP-CONTROL						1830
	13	1	5N-6138	1	BODY AS-VALVE						
		1	9L-9503	2	DOWEL-HOLLOW						

C - CHANGE FROM PREVIOUS TYPE
Y - SEPARATE ILLUSTRATION



GRAPHIC #1

<END>

g00720153

FUEL SYSTEM

5N-2718 VALVE GP-SPEED SENSING

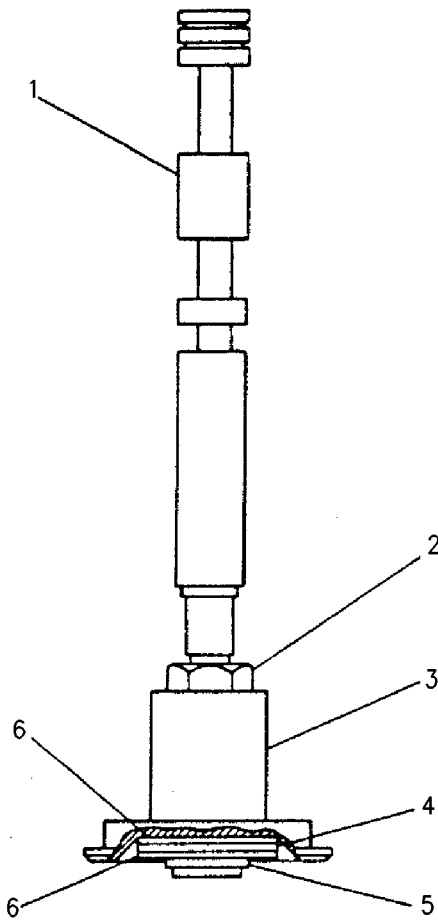
PART OF 172-0262, 5N-6050, 5N-6051 SHUTOFF GP-CONTROL, 172-0259, 172-0260, 172-0261,
5N-5338, 5N-5608 SHUTOFF GP-HYDROMECHANICAL
AN ATTACHMENT

SMCS-1268, 1329

i01407282

NOTE	REF NO	GRAPHIC REF	PART NUMBER	QTY	PART NAME						SEE PAGE
					1	2	3	4	5	6 (PRODUCT LEVEL)	
C	1	1	5N-4726	1	VALVE						
	2	1	6F-0612	1	NUT-JAM (1/4-28-THD)						
	3	1	3N-5752	1	SEAT						
	4	1	7M-7219	1	BEARING-THRUST						
	5	1	3K-0810	1	RING-LOCK						
	6	1	7M-7193	2	RACE-THRUST BEARING						

C - CHANGE FROM PREVIOUS TYPE



GRAPHIC #1

<END>

g00740848

PART NUMBER INDEX

Part	Page	Part	Page	Part	Page	Part	Page
0							
			868		1171		1479
			1409		1199		1809
OL-0639	50		1410		1235	OL-2072	2011
OL-0701	575	OL-1340	1716		1237	OR-1620	1474
	578		1754		1239	OR-1621	1474
	586		1755		1364	OR-2921	364
	588	OL-1351	48		1422	OR-3051	362
	590		103		1423	OR-8494	1476
	593		194		1425	OR-8495	1476
OL-1143	190		198		1474	OR-8496	1476
	192		200		1479	OR-8497	1476
	300		242		1508	OS-0484	573
	307		245		1509	OS-0509	44
	345		249		1559		46
	347		253		2005		47
	455		256		2007		48
	457		266		2009		49
	460		268		2012		278
	463		270		2013		300
	467		272		2015		307
	470		300		2016		323
	473		348		2081		552
	476		350		2083		554
	477		352	OL-1352	26		607
	496		356		28		846
	500		358		91		856
	503		360		92		860
	510		393		94		865
	523		397		96		868
	526		398		98		883
	528		455		394		885
	530		457		395		979
	532		460		396		982
	607		463		496		1174
	656		468		501		1297
	662		471		510		1298
	664		473		515		1472
	666		476		605		1476
	668		513		1526		1477
	670		515	OL-2070	165		1522
	680		518		169		1836
	682		520		300		1839
	684		523		307		1899
	697		526		350		1919
	803		534		352		1921
	805		536		428		1933
	807		690		430		1935
	856		693		510		1952
	865		706		510		2066
	868		728		684	OS-1566	717
	1368		730		690		724
	1371		732		693		1630
	1425		778		697		1633
	1473		784		876		1642
	1474		787		877		1645
	1477		790		979		1648
	1516		809		986		1649
	1518		813		988		1650
	1962		852		1174		1651
	1966		854		1178	OS-1571	190
OL-1325	552		856		1179		192
	554		862		1182		327
	556		868		1185		329
	558		961		1188		331
	571		964		1191		333
OL-1329	102		994		1194		356
	288		996		1235		393
	289		998		1237		397
	300		1000		1239		398
	852		1004		1380		399
	854		1021		1382		400
	856		1023		1423		448
	862		1025		1474		449
	865		1169		1477		457

PART NUMBER INDEX

Part	Page	Part	Page	Part	Page	Part	Page
	460		339		688		394
	463		340		690		409
	467		341		697		415
	470		342		706		430
	477		348		708		432
	496		354		726		434
	500		381		746		436
	528		382		748		438
	530		383		758		447
	532		384		760		496
	605		386		832		500
	607		387		891		503
	629		388		893		506
	652		389		895		510
	654		573		1002		521
	706		576		1004		539
	708		578		1005		541
	710		584		1007		545
	717		591		1010		547
	724		664		1012		574
	728		678		1014		605
	730		680		1016		609
	732		787		1018		610
	746		873		1021		611
	756	OS-1588	30		1023		612
	758		34		1025		690
	760		38		1169		712
	809		86		1171		724
	832		88		1361		752
	836		104		1363		754
	841		190		1364		769
	842		192		1368		784
	865		300		1423		787
	868		307		1473		790
	1208		345		1476		840
	1520		347		1479		846
	1522		348		1516		858
	1530		350		1518		860
	1532		352		1526		873
	1537		354		1534		979
	1557		356		1539		1174
	1835		358		1553		1175
	2001		360		1806		1178
OS-1573	300		452		1836		1182
	860		453		1840		1185
	1472		455		1862		1188
OS-1585	129		457		1863		1191
	132		460		1901		1195
	307		463		1956		1472
	358		468		2145		1479
	360		471	OS-1589	56		1524
	528		473		58		1806
	539		476		60		1835
	541		482		62		1840
	545		496		64		1975
	547		500		66		1976
	591		503		68	OS-1591	31
	688		506		70		34
	706		510		1862		52
	708		534		1863		96
	784		536	OS-1590	30		98
	787		561		34		190
	790		563		38		192
OS-1587	52		564		190		282
	281		565		192		447
	291		566		249		448
	292		568		256		449
	293		569		264		496
	294		605		300		500
	307		646		307		513
	335		647		356		515
	336		648		358		534
	337		649		360		536
	338		650		391		605

PART NUMBER INDEX

Part	Page	Part	Page	Part	Page	Part	Page
	690		658		660		996
	762		672		662		998
	764		674		672		1005
	766		676		674		1018
	831	OS-1594	30		676		1169
	834		31		686		1171
	835		34		688		1174
	858		35		690		1178
	876		38		693		1183
	877		52		697		1186
	901		86		703		1189
	902		88		705		1192
	903		90		706		1194
	904		91		708		1297
	990		92		710		1298
	992		94		712		1376
	1004		96		728		1378
	1018		98		730		1380
	1374		198		732		1382
	1376		202		746		1412
	1378		206		748		1423
	1382		208		750		1425
	1385		212		756		1472
	1387		220		758		1477
	1389		222		760		1478
	1391		226		762		1479
	1396		228		764		1524
	1400		238		766		1526
	1402		240		768		1528
	1472		242		846		1530
	1479		245		850		1532
	1559		249		860		1534
	1594		253		865		1537
	1595		256		891		1539
	1797		260		893		1541
	1798		262		895		1543
	1799		264		902		1545
	1800		279		903		1547
	1836		280		905		1549
	1839		300		906		1551
	1909		307		913		1553
	1911		344		915		1555
	1917		350		918		1557
	1918		352		919		1595
	1931		356		920		1835
	1940		358		926		1839
	1946		360		927		1848
	1958		457		930		1899
	1960		463		935		1901
	1962		467		936		1905
	1964		470		937		1907
	1966		473		938		1909
	1975		476		939		1911
	1977		479		940		1913
	1978		480		941		1915
	2011		481		942		1918
	2145		496		943		1919
OS-1592	1		500		944		1921
	83		503		945		1933
	196		506		946		1935
	202		510		947		1952
	204		513		948		1956
	206		515		949		1970
	208		530		950		1973
	210		532		951		1977
	212		534		952		1978
	214		536		953		2005
	216		604		954		2007
	218		605		955		2009
	220		607		961		2013
	222		609		964		2016
	224		610		986	OS-1595	30
	226		656		988		35
	228		658		994		38

PART NUMBER INDEX

Part	Page	Part	Page	Part	Page	Part	Page
	86		1188		1489		1502
	88	OS-1615	26		1499		1504
	90		28		1502		1516
	127		190		1504		1518
	135		192		1625		1806
	137		300	OS-1619	26		2005
	194		428		28		2007
	200		430		300		2009
	245		734		455		2013
	249		736		460		2016
	256		738		463	OT-0065	202
	268		742		467		206
	284		780		468		212
	285		781		470		220
	286		897		473		238
	287		899		476		243
	288		990		574		254
	289		992		688		260
	290		1474		852		300
	307		1617		854		345
	576		1618		862		347
	578		1619		1479		350
	580		1899		1526		352
	582		1901		1528		496
	584		1903	OS-1621	279		500
	588		1905		280		503
	658		1909		282		506
	672		1911		395		511
	674		1913		396		688
	676		1915		407		690
	688		1924		411		693
	706		1929		413		706
	708		1935		784		708
	784		1938		787		901
	787		1943		790		904
	790		1956		986		1174
	876		1958		1423		1175
	988		1962		1534		1178
	1376		1964		1539		1179
	1378	OS-1616	818		1553		1182
	1380		824	OS-1897	1853		1183
	1862		858		1854		1185
	1863		1163		1855		1186
OS-1597	1655		1302	OS-2307	521		1189
	1662		1303	OT-0055	196		1191
	1665		1506		204		1194
	1667		1901		208		1477
	1670		1918		210		1479
	1736		1933		214		1594
	1741		1935		222	OT-0102	129
OS-1608	300		1956		224		132
	534	OS-1617	513		228		135
	536		515		231		137
	850		534		240		279
	860		536		245		280
	1016		561		249		366
	1021		563		256		368
	1472		564		262		1520
	1537		565		264	OT-0320	381
	1539		566		300		382
	1541		568		307		383
	1543		569		656		384
	1545		805		660		386
	1547	OS-1618	300		662		387
	1549		651		693		388
	1551		686		1174		389
	1553		712		1368		621
	1555		726		1380		624
	2012		770		1382		627
	2015		772		1422		1832
OS-1614	449		774		1473	OT-0573	300
	976		979		1477		455
	1182		982		1489		457
	1185		1478		1499		471

PART NUMBER INDEX

Part	Page	Part	Page	Part	Page	Part	Page
	473		135		1595		1297
	494		137		1630	1B-0676	2017
	495		172		1633		2021
	523		173		2001		2025
	852		174		2003		2029
	854		175		2013		2033
	862		176		2016		2038
	1368		177	1A-5183	307		2041
	1423		178		646		2044
	1425		179		647		2047
	1473		180		648		2050
	1476		300		649	1B-2713	740
	1516		307		650		858
	1518		348		697		1376
	1520		354		1423		1378
	1522		358	1A-5822	268		1806
	1806		360		270		1899
	1924		453		300		1901
	1929		517		307		1919
	1938		518		513		1921
	1958		521		515		1933
	1964		523		534		1935
	2005		574		536		1952
	2007		611		690		1956
	2009		612		693	1B-2714	1380
	2013		643		873		1382
	2016		645		1479	1B-2790	129
OT-0768	621		652	1A-5964	30		132
	624		654		34		135
	627		664		38		137
	728		666		300		366
OT-0924	473		668		434		368
OV-0375	666		670		506		1007
	682		678		656		1010
	778		680		660		1012
			682		662		1016
			688		664		1019
			690		666	1B-2886	1423
			693		668		1491
			712		1477		1493
1A-0168	327		756		2001		1495
	329		778	1A-7669	986		1497
	331		784		988		1499
	333		787	1A-8063	629		1502
1A-0458	423		790	1A-8537	64		1504
1A-1135	327		805		66	1B-4201	1048
	329		809		68		1057
	331		813		70		1079
1A-1460	300		852		658		1087
	329		854		672		1097
	331		856		674		1105
	333		860		676		1113
	453		862	1A-8651	56		1122
	688		865		58		1130
	860		868		60		1144
	1472		901		62		1152
	1972		903	1A-8912	1123	1B-4209	420
1A-1935	1850		904		1145		1853
1A-2029	26		990		1153		1854
	28		992		1617		1855
	44		994		1618	1B-4218	291
	46		996	1A-9066	652		300
	47		998		803		961
	49		1000		805		964
	82		1208	1A-9252	467		1476
	86		1368		470	1B-4330	979
	88		1370	1A-9579	106		1559
	90		1423		109		1617
	100		1425		110		1905
	101		1473		307		1913
	102		1479		440	1B-4367	266
	127		1506		444		272
	129		1560		446	1B-5174	126
	132		1594		450		129

1

PART NUMBER INDEX

Part	Page	Part	Page	Part	Page	Part	Page
	132		1370	1D-4638	1850	1F-4111	1191
	139	1D-4541	1174	1D-4643	1850	1F-4622	190
	141		1178	1D-4706	876		192
	143		1194		877		990
	144	1D-4566	286	1D-4716	710		992
	145		290		734	1F-6660	189
	147		421		740	1F-7958	277
	515		424		742		281
	517		828		744		300
	521		1607		979		309
	576		1608		982		333
	580		1642		1625		453
	582		1645	1D-4717	279		528
	584		1648		658		578
	591		1649		672		690
	652		1650		674		693
	912		1651		676		778
	916	1D-4569	674		710		833
	917		676		728		839
	929		828		756		1479
	931		1608		776	1H-1023	1659
	932	1D-4572	204		856		1661
	933		208		877		1664
	934		210		979		1667
1B-5357	837		214		1004		1670
	838		228		1183		1675
1B-7182	300		240		1186		1680
	686		246		1188		1685
	710		257		1189		1690
	712		262		1192		1695
	812	1D-4574	285		1199		1700
	1002		288		1208		1704
	1014		289		1235		1707
	1234		455		1387		1713
	1478		457		1389		1721
1B-8706	468		460		1396		1723
	470		463		1400		1726
	473		467		1412		1729
1B-9575	300		470		1414		1732
	560		473		1423		1735
	744		476		1491		1738
	1368	1D-4586	333		1559		1741
	1371	1D-4588	986		1797		1761
	1473		988		1799	1H-1200	617
1C-2251	102	1D-4590	283		1924		621
	300		284		1929		624
	690		286		1938		627
	693		287		1958		632
	784		290		1964		636
	787	1D-4593	285	1D-4718	728		641
	790		288		734	1H-1342	▶ 1327
	1479		289		736	1H-2629	1658
1D-4327	397		291		738		1662
	399		292		742		1665
1D-4533	307		293	1D-4719	327		1667
1D-4538	710		294		329		1670
1D-4539	972	1D-4597	285		331		1674
	973		288		576		1679
	1174		289		584		1684
	1178		294		591		1689
	1183	1D-4602	285		658		1694
	1186		288		672		1699
	1189		289		674		1703
	1191	1D-4609	270		676		1706
	1194		272	1D-4720	327		1712
	1206	1D-4627	422		329		1720
	1207	1D-4628	56	1D-5119	422		1724
1D-4540	31		58	1D-6306	344		1727
	35		60	1F-0750	38		1730
	307		62		1506		1733
	734		64		2001		1736
	740		66		2145		1739
	742		68	1F-1609	778		1741
	744		70	1F-2622	1416		1761

PART NUMBER INDEX

Part	Page	Part	Page	Part	Page	Part	Page
1H-3244	1307		593		1329		1014
	1309		1526		1331		1016
	1311		1528		1333		1018
	1313	1L-1722	656		1335		1021
	1316	1L-2072	1832		1337		1023
	1319	1L-2073	958		1338		1025
	1412		▶1832		1339	1N-2896	1023
1H-3338	1346	1L-2782	1499		1341	1N-2897	476
	1871		1502	1M-6120	1327	1N-2898	647
1H-3340	1431		1504		1329		648
	1435	1L-3769	1027		1331	1N-2902	30
1H-4142	1252	1L-4031	310		1333		34
	1254		1371		1335		38
1H-4393	1893		1530		1337	1N-2903	31
1H-4560	1322		1532		1338	1N-2914	86
	1425		1537		1339		88
	1617		1541		1341		90
	1618		1543	1M-7913	803	1N-2929	31
	1619		1545		805		34
1H-4950	2118		1547		807		38
1H-5959	561		1549	1M-9968	1659	1N-2972	964
	563		1551		1662	1N-3087	924
	564		1555		1665		925
	565		1557		1668	1N-3114	352
	566	1L-4863	50		1671	1N-3125	992
	568	1L-5008	1815		1675	1N-3126	990
	569	1L-5010	▶1815		1680		992
1H-6936	1559	1L-5081	2081		1685	1N-3147	350
	1560		2083		1690		352
	2001	1L-5316	651		1695	1N-3148	350
1H-7666	605		770		1700		352
1H-8171	1830		1269		1704	1N-3150	348
	1831	1L-5620	556		1707		350
1H-8278	773	1L-5686	1329		1713		352
	776		1331		1721		354
1H-8720	515		1333		1724	1N-3183	481
1H-9456	580	1L-6561	1350		1727	1N-3192	574
1H-9569	1832		1353		1730	1N-3193	574
1H-9570	1832		2066		1733	1N-3225	574
1H-9572	1832		2068		1736	1N-3226	574
1H-9573	1832		2081		1739	1N-3228	1855
1H-9574	1832	1L-6931	52		1742	1N-3229	1855
1H-9575	1832	1L-8181	521	1M-9971	1659	1N-3247	1142
1H-9578	1832		1530		1662		▶1198
1H-9580	1832		1557		1665	1N-3259	924
1H-9581	1832	1L-8497	1627		1667		925
1H-9696	315		1635		1670		929
	1247		1638		1675		931
	1248		1640		1680		934
	1249		1643		1685	1N-3260	924
	2134		1646		1690		925
	2138	1L-9048	1832		1695		929
1H-9726	891	1L-9049	1832		1700		931
	893	1L-9079	1832		1704		934
	895	1L-9080	1832		1707	1N-3268	803
1J-3661	658	1M-0644	455		1713	1N-3269	803
	672		458		1721	1N-3279	924
	674		460		1724		925
	676		463		1727	1N-3333	496
1J-6472	744		468		1730		500
1J-9671	310		471		1733		503
	802		473		1736		506
1K-6872	358		476		1739		510
	360		2081		1741	1N-3365	814
1K-6937	521		2083		1762		820
	523	1M-3381	534	1N-2895	457		826
	575		536		460	1N-3383	820
	576		556		467	1N-3409	986
	578		558		477		988
	580		560		1002	1N-3411	814
	584		571		1004		820
	586	1M-4983	1331		1007		826
	590		1333		1010	1N-3415	186
	591	1M-6119	1327		1012	1N-3416	1621

PART NUMBER INDEX

Part	Page	Part	Page	Part	Page	Part	Page
	1623		547		322		530
	1625	1N-4639	1182		1002		532
1N-3482	171		1185		1012		844
	181		1188		1014		2132
	182		1191		1016		2133
	183	1N-4640	1188		1018	1S-7107	26
	184		1235	1S-1770	818		28
	185		1237		824	1S-7251	1806
1N-3500	▶174		1239	1S-2244	1448	1S-7252	1806
	181	1N-4666	348		1449	1S-7446	1658
	337		354		1454		1661
	383	1N-4673	964		1455		1664
1N-3505	814	1N-4674	961	1S-2294	1448		1667
	820		964		1454		1670
	826	1N-4679	961		1455		1674
1N-3557	814	1N-4734	1021	1S-2303	1524		1684
	820		1182		1526		1723
	826		1185		1528		1726
1N-3562	820		1188		1530		1729
1N-3593	814		1192		1532		1732
	820	1N-4775	482		1534		1735
	826	1N-4858	706		1537		1738
1N-3712	814	1N-4859	605		1539		1741
	820		607		1541	1S-9593	1408
	826		706		1543		1438
1N-3755	1975	1N-4860	607		1545	1T-0132	198
	1976		706		1547		202
1N-3770	236	1N-4910	1213		1549		206
1N-3784	236		1217		1551		208
1N-3872	300		1219		1553		212
	513		1220		1555		220
	515		1221		1557		222
	534		1223	1S-4305	1489		226
	536		1224	1S-4435	1385		228
	690		1228	1S-4589	327		238
	693		1229		329		240
	1479		1230		331		242
1N-3967	370		1231		333		245
	374		1232	1S-4810	313		253
	376		1233		314		260
	378	1N-5742	232		319		262
	▶401	1N-5999	726		362		756
1N-3986	268	1N-9770	1801		364		758
	270		2017		530	1T-0416	404
1N-4016	510	1P-0436	1007		532	1T-0550	986
1N-4028	856		1010		844		988
	865	1P-1120	818		2132	1T-0679	48
	868		824		2133	1T-0689	891
1N-4029	856	1P-3861	1004	1S-4974	1879		893
	865		1018		1882		895
	868	1P-5274	513		1884	1T-0720	300
1N-4054	268		517		1886		803
	270		518	1S-5440	1252		805
1N-4071	378		520		1254		807
1N-4072	378		521	1S-5772	315		846
1N-4073	378		534		605		860
1N-4074	378	1P-7115	282		607		1472
1N-4075	378	1P-7625	1189		609	1T-0765	196
1N-4087	300		1235		610		202
	652		1237		706		204
	654		1239		778		206
	1479	1P-7832	1716		784		208
1N-4299	1625		1754		787		210
1N-4348	1141	1P-8016	658		790		212
	1143		672		2129		214
	▶1199		674		2130		216
1N-4478	▶1244		676		2135		218
	1247	1R-0726	320		2136		220
1N-4636	1247		322		2138		222
	1248		455	1S-6097	994		224
	1249		463		996		226
1N-4637	539		470	1S-6595	313		228
	541		473		362		300
	545	1R-0756	320		364		756

PART NUMBER INDEX

Part	Page	Part	Page	Part	Page	Part	Page
	758		901		515	1W-4861	▶1296
	760		902		534	1W-4862	1143
	768		903		536		1295
	1472		904	1W-3943	513		▶1299
1T-0808	1661		1594		534		1604
	1664		1595		536	1W-4863	1142
	1667	1W-1253	320	1W-3944	513		1594
	1670		322		534		▶1600
	1735		803		536	1W-4923	282
	1741		805	1W-4003	1242	1W-4955	803
1U-4738	575		807		1244		805
	578	1W-1258	805	1W-4005	1242		807
	586	1W-1259	805		1244	1W-5017	▶1039
	588	1W-1260	805	1W-4006	1242	1W-5021	▶1039
	590	1W-1563	348		1244	1W-5048	▶327
	593		350	1W-4007	1242	1W-5049	327
1U-7099	2149		352		1244	1W-5171	1039
1U-7102	2149		354	1W-4008	1242		1045
1U-7107	2149	1W-1564	348		1244		1046
1U-7108	2149		350	1W-4009	1242		1140
1U-7109	2149		352		1244		1141
1U-7111	2149		358	1W-4010	1242		▶1203
1U-7115	2149		360		1244		▶1204
1U-7118	2149	1W-1565	348	1W-4057	6	1W-5204	404
1U-7119	2149		354		▶1214	1W-5280	1893
1U-7234	2149	1W-1568	348	1W-4095	▶916	1W-5420	118
1U-7264	2149		354		935		139
1U-7267	2149	1W-1579	354	1W-4096	▶917	1W-5421	803
1V-3113	1625	1W-1653	▶818		935		805
1V-6341	1564		916	1W-4097	916		807
1V-7753	1409		917		917	1W-5547	▶515
	1410	1W-1801	166	1W-4121	1242	1W-5548	515
	1425		168		1244	1W-5549	515
	1607	1W-2060	348	1W-4126	2069	1W-5550	515
1V-8638	282		354	1W-4188	2073	1W-5728	803
1V-9020	1420	1W-2133	986		129		805
1W-0427	30	1W-2135	▶986		132		807
	34		1039		135	1W-5956	852
	38		1045		137	1W-5957	844
1W-0428	31		1046	1W-4191	453		852
	35		1140		▶454		2133
1W-0431	799		1141	1W-4219	▶4	1W-6005	539
1W-0432	799		1142	1W-4253	513		541
1W-0433	799		1143		515		545
1W-0434	799	1W-2136	1140	1W-4257	513		547
1W-0443	909		1142		515		573
	934		1143		534	1W-6032	994
1W-0494	799		▶1200		536		996
1W-0513	652		▶1201	1W-4341	961	1W-6033	994
	654	1W-2312	510		964		996
1W-0516	▶1035	1W-2421	432	1W-4499	1182		998
	1141		434		1185		1000
	1142		438		1188	1W-6034	▶994
	1143	1W-2422	438	1W-4594	432		1142
1W-0531	1027	1W-2565	1182		434		1143
1W-1250	805		1185		436	1W-6035	994
	852		1188	1W-4655	1242	1W-6036	▶996
	854	1W-2566	1182		1244		1039
	856		1185	1W-4670	▶552		1045
	862		1188	1W-4671	▶554		1141
	868	1W-2635	1836	1W-4672	▶556	1W-6037	996
	902	1W-2639	609	1W-4673	▶558	1W-6114	348
	903		610	1W-4674	▶560	1W-6263	30
	1595	1W-2744	1004	1W-4687	2069		34
1W-1251	320	1W-2963	457		2073	1W-6326	438
	322		460	1W-4776	560	1W-6356	309
	362		468		▶561		831
	364		476	1W-4800	378	1W-6441	174
	805	1W-3298	1023	1W-4820	513	1W-6737	705
	852	1W-3437	988		534	1W-6852	805
	854	1W-3647	1168		536	1W-6935	1242
	856	1W-3648	1168	1W-4859	▶1037		1244
	862	1W-3940	▶513		1039	1W-6936	1242
	868	1W-3942	513		1142		1244

PART NUMBER INDEX

Part	Page	Part	Page	Part	Page	Part	Page
1W-6974	404		1473		28		1071
1W-6977	404		1516	1W-9279	26		1080
1W-7201	1035		1518		28		1088
1W-7202	1035		1520	1W-9379	986		1098
	▶2098		1522		988		1105
1W-7203	1035		1559	1W-9461	4		1113
1W-7204	1035		1560		12		1123
1W-7205	1035		1806		▶803		1131
1W-7206	1035		2001	1W-9463	8		1144
1W-7207	1035		2003		15		1153
	▶1209		2005		▶805		1296
1W-7208	1035		2007	1W-9466	8		1299
	▶1161		2009		15	1W-9783	1037
1W-7209	▶959		2013		▶807		1048
	1035	1W-8133	2016	1W-9487	▶831		1058
1W-7214	530		2005	1W-9488	▶836		1088
	532		2007	1W-9659	1209		1131
1W-7254	1035		2009	1W-9660	1209	1W-9784	974
1W-7255	1035		2013	1W-9661	1209		1048
1W-7256	1035		2016	1W-9663	1209		1088
1W-7278	350	1W-8143	1382	1W-9664	1209		1131
1W-7366	1035	1W-8144	1380	1W-9665	1269	1W-9872	17
1W-7391	902		1382	1W-9666	1269		▶918
	903	1W-8145	1380	1W-9673	1269		
	1595		1382	1W-9674	1269		
1W-7533	1182	1W-8188	513	1W-9675	1269		
	1185		515	1W-9676	1269		
	1188		534	1W-9677	1269		
1W-7534	1182		536	1W-9678	959	2A-0762	356
	1185	1W-8238	30	1W-9680	2098		543
	1188		34	1W-9681	2098		782
1W-7535	1182		38	1W-9682	2098		897
	1185	1W-8264	703	1W-9683	2098		1425
	1188		705	1W-9684	2098		1926
	1191	1W-8378	891	1W-9685	2098		1951
1W-7537	1183		893	1W-9686	2098		1954
	1186		895	1W-9687	2098		2018
	1189	1W-8393	891	1W-9688	2098		2022
	1192		893	1W-9689	2098		2026
	1194		895	1W-9690	2098		2030
1W-7538	370	1W-8434	994	1W-9780	985		2034
	374		996		1031		2038
1W-7548	1016		998		1033		2041
	1021		1000		1047		2044
1W-7579	836	1W-8495	▶28		1057		2047
1W-7580	836		31		1064		2050
1W-7668	1226		35		1071	2A-1162	726
1W-7669	1214	1W-8508	▶573		1079	2A-1420	1850
1W-7770	908		574		1087	2A-1531	784
	924		573		1097		787
	925	1W-8509	573		1105		790
	931	1W-8511	573		1113	2A-1538	1853
1W-7811	482	1W-8578	1035		1122		1854
	▶1269		▶1269		1130	2A-4429	157
1W-7996	831	1W-8598	129		1144		161
1W-8104	▶1905	1W-8805	574		1152		163
	▶1907	1W-8974	891		1152		166
1W-8105	▶1909		893	1W-9781	985		167
	▶1911		895		1047		168
1W-8109	▶231	1W-8975	891		1057		296
1W-8116	▶1913		893		1079		297
	▶1915		895		1087	2A-4639	300
1W-8117	▶1917	1W-9070	1617		1097		307
	▶1918		1618		1105		350
1W-8120	1905		1619		1113		521
	1907	1W-9166	370		1122		652
1W-8121	1905		374		1130		654
	1907		378		1144		688
1W-8122	1909	1W-9275	26		1152		693
	1911		28	1W-9782	983		706
1W-8129	231	1W-9276	26		1031		708
	300		28		1033		846
	1368	1W-9277	26		1048		860
	1380		28		1058		994
	1382	1W-9278	26		1064		

PART NUMBER INDEX

Part	Page	Part	Page	Part	Page	Part	Page
	996		238		1670		1690
	998		243		1675		1695
	1000		254		1680		1700
	1472		260		1685		1704
	1479	2B-2694	300		1690		1707
2A-4781	1271		534		1695		1713
	1274		536		1700		1721
	1277		556		1703		1724
	1279		558		1707		1727
	1281		571		1712		1730
	1283		684		1720		1733
	1285		994		1723		1736
	1287		996		1726		1739
	1289		998		1729		1742
	1292		1000		1732		1762
	1596		1191		1735	2F-6687	959
	1598		1192		1738	2F-6713	1209
2A-5220	291		1194		1741	2F-6719	959
	300		1477		1762	2F-6721	976
	961	2B-2695	24	2D-6642	974		1049
	964		26		1048		1058
	1476		28		1088		1080
2A-5546	1380		194		1131		1089
	1382		196	2D-7325	2065		1098
	1903		198		2069		1106
	1928		200		2071		1114
	1929		202		2073		1123
	1941		204		2075		1132
	1943		206	2F-0808	922		1145
	1945		208		1889		1153
	1948		210		1977		1205
	1950		212	2F-2860	1679		1209
	1951		214		1689	2F-6734	1161
	1954		216		1694	2F-6737	1161
	1958		218		1699	2F-6739	1161
	1964		220		1703	2F-6743	1161
2B-0858	28		222		1706	2F-6746	1209
	30		224		1712	2F-6754	1209
	34		228		1720	2F-6756	1209
	126		242	2F-3219	959	2F-6802	959
	129		245		968	2F-6814	1035
	132		249		970	2F-6818	959
	139		253		1040	2G-6236	666
	141		256		1048		682
	143		300		1049	2G-6303	513
	144		307		1058		534
	145		324		1064		536
	147		450		1065	2G-6304	513
	294		513		1071		534
	350		515		1072		536
	352		534		1080	2H-1258	552
	356		536		1088		554
	460		684		1089		556
	476		710		1098		558
	500		986		1106		571
	510		988		1114	2H-1259	552
	511		1182		1123		554
	710		1185		1131		556
	805		1188		1132		558
	834		1477		1145		571
2B-0941	979		1506		1153	2H-3429	1027
	2011	2D-2460	584	2F-4547	238		1040
2B-0947	268	2D-6235	2017		242		1048
	283		2021		253		1058
	288		2025	2F-4967	1958		1065
	289		2034		1964		1072
	300		2038	2F-6674	1035		1080
	668		2041	2F-6678	1659		1088
	694		2044		1662		1098
	992		2047		1668		1106
2B-2006	202	2D-6392	1658		1671		1114
	206		1661		1675		1123
	212		1664		1680		1131
	220		1667		1685		1145

PART NUMBER INDEX

Part	Page	Part	Page	Part	Page	Part	Page
	1153		1241	2L-2811	1483	2L-8071	1674
	1652	2J-0157	295		1487		1679
	1655		298		1491		1684
	1659		316		1493		1694
	1661		432		1495		1706
	1664		434		1497	2L-8074	1809
	1667		436		1502	2L-8075	1313
	1670		438	2L-3402	1504		1316
	1675		1027		1890		1319
	1685	2J-3118	820		1891		1448
	1723		826	2L-6267	50		1454
	1726	2J-3505	56	2L-6324	961		1625
	1729		58		964		1821
	1732		60	2L-6679	1561		1822
	1735		62		1658		1823
	1738		64		1661		1824
	1741		66		1664		1825
	1764		68		1674		1826
	1767		70		1679		1827
2H-3745	658	2J-3506	629		1684		2030
	672	2J-3507	344		1689		2052
	674		1850		1694	2L-8076	1440
	676	2J-6274	92		1699		1444
2H-3755	883		98		1703		1445
	885		129		1706		1455
2H-3855	1382		314		1712		2050
2H-3880	1271	2J-6356	1297		1720		2051
	1274		1298		1723		2052
	1277	2J-8163	1658		1726	2L-8077	1444
	1279		1661		1729		1448
	1281		1664		1732		1454
	1283		1667		1735		1456
	1285		1670		1738		2050
	1287		1674		1761		2051
	1289		1675	2L-8049	1449		2052
	1292		1679		1454	2L-8078	1448
	1596		1680	2L-8050	1428	2L-8079	1448
	1716		1684		1448		1454
	1754		1685		1449		1625
2H-3893	344		1689		1455	2L-8081	1440
2H-3922	1625		1690	2L-8052	1448		1828
2H-3927	515		1694		1454	2L-9038	961
	517		1695	2L-8054	1449		964
	521		1699		1454	2L-9724	2011
2H-3931	1716		1700	2L-8057	1322	2M-0849	186
	1755		1703		1454		187
2H-3932	1297		1706		1455		300
	1298		1707	2L-8058	1428		690
	2130		1712		1455		693
2H-3934	728		1716	2L-8060	1322		860
	730		1720	2L-8061	1454		1423
	732		1723	2L-8065	1448		1472
	748		1726		1454		1479
2H-3939	582		1729	2L-8066	1445		1971
	588		1732		1448	2M-4453	31
	1537		1735		1454		35
	1541		1738		1455		129
	1543		1741		1456		198
	1545		1754		1674		202
	1547		1755		1679		206
	1549	2K-2385	658		1684		208
	1551		672		1694		212
	1555		674		1706		220
2H-3940	845		676		2052		222
	849	2K-3455	1064	2L-8067	1428		226
	850		1071		1445		228
	851		1162		1448		242
2H-7551	850		1163		1454		245
2H-9091	845	2K-4821	1313		2052		253
	849		1316	2L-8068	1448		295
	851		1319		1454		298
2H-9523	1235	2K-4973	812		1455		397
	1237		891	2L-8069	1448		728
	1239	2L-0273	1322		1454		746

PART NUMBER INDEX

Part	Page	Part	Page	Part	Page	Part	Page
	1182		1420		563		1754
	1185	2N-2765	313		565	2P-8977	1534
	1188	2N-2766	844		566	2R-1913	2083
2M-8191	1028		913		568	2R-3538	656
	1029		915		569		660
	1030		918	2N-7521	561		662
2M-9780	348		919		563	2R-6806	534
	354		920		565		536
	453		926		566		571
	494		927		568		1169
	1007		930		569		1171
	1010		935	2N-7522	561	2R-7712	1530
	1012		936		564		1537
	1016		937		566		1541
	1021		938		568		1545
	1023		939		569		1547
	1025		940	2N-7523	563		1557
	1182		941		564	2R-8613	783
	1185		942		565	2S-1251	2132
	1188		943		568	2S-2760	539
	1191		944		569		541
	1194		945	2N-7524	563		545
	1958		946		564		547
	1960		947		565	2S-2923	31
	1962		948		568		35
	1964		949		569		38
	1966		950	2N-7604	604	2S-3625	510
	1968		951	2N-8263	623	2S-5100	455
	2130		952		626		457
	2134		953		629		460
2N-0477	1254		954	2N-8329	605		463
2N-0478	1252		955	2N-8611	190		467
2N-0822	724	2N-3145	1761		192		470
2N-0931	315	2N-3473	2030	2N-8613	467		473
	784		2034		470		476
	787	2N-3475	2030	2N-9768	781		1002
	790		2034		782		1004
	2129	2N-3476	1865	2P-1279	1169		1007
	2130		1867		1171		1010
2N-1287	52		2055	2P-1296	1182		1012
	1376	2N-3478	1996		1185		1014
	1378		1998		1188		1016
	1380		2000		1191		1018
	1382		2033		1194		1021
	1485	2N-3479	1004	2P-1297	301		1023
	1489		1322		684		1025
	1905		1353		1477	2S-8439	787
	1907		2017	2P-1306	30	2V-4387	301
	1913		2021		34		310
	1915		2025		38		690
2N-1931	1587		2029	2P-2772	91		1370
2N-1943	▶ 1329		2034		92		1371
2N-2011	670		2066		94		1479
	672	2N-3480	1351		96	2V-5956	1169
	674		1353		98		1171
	676		1414	2P-3696	772		1198
	678		1416		774		1199
	680		1418	2P-5616	1313		1203
	682		1420		1316		1374
2N-2012	664		2034		1319		1387
	666	2N-4544	552	2P-7636	301		1389
	668	2N-5104	30		526		1391
	670		34		1174		1395
	678	2N-5842	432		1178		1398
	680		434		1182		1483
	682		436		1185		1485
	699		438		1188		1487
	702	2N-7029	1274		1191		1489
2N-2013	664		1285		1194		1499
	666		1287	2P-8817	1716		1502
	668	2N-7308	1532		1754		1504
2N-2258	1350	2N-7456	2000	2P-8825	1716		1905
	1353	2N-7519	565		1754		1907
	1418	2N-7520	561	2P-8867	1716		1913

PART NUMBER INDEX

Part	Page	Part	Page	Part	Page	Part	Page
	1915		1131	2W-0148	1040	2W-0243	1037
	1950	2W-0138	968		1064		1047
2V-7397	1335		974		1071		1057
	1337		976		1097		1064
	1338		983		1113		1071
	1339		985		1144		1079
	1341		1033		1152		1087
2V-8571	1174		1040	2W-0221	968		1097
2W-0119	974		1047		974		1105
	1049		1057		978		1113
	1089		1064		981		1122
	1132		1071		1047		1130
2W-0120	1041		1079		1049		1144
	1048		1087		1064		1152
	1058		1097		1071	2W-0245	1040
	1088		1105		1087		1047
	1131		1113		1089		1057
2W-0121	968		1122		1130		1079
	970		1130		1132		1087
	1049		1144		1162		1097
	1058		1152		1163		1105
	1089		1162	2W-0222	974		1113
	1132		1296		1047		1130
2W-0122	968		1299		1057		1144
	970		1600		1064		1152
	1049		1603		1071	2W-0281	1041
	1058	2W-0139	1037		1079		1048
	1089	2W-0140	1040		1105		1058
	1132		1047		1162		1088
2W-0123	985		1057		1163		1131
	1047		1065	2W-0223	1041	2W-0282	1040
	1057		1072		1048		1041
	1079		1079		1058		1047
	1087		1087		1088		1048
	1097		1097		1131		1057
	1105		1105		1250		1058
	1113		1113		1251		1064
	1130		1122	2W-0224	976		1071
2W-0124	1031		1130		1040		1079
	1033		1144		1047		1087
	1040		1152		1057		1088
	1047	2W-0141	1037		1064		1097
	1057		1048		1071		1105
	1064		1131		1079		1113
	1071	2W-0142	967		1087		1122
	1079		968		1097		1130
	1087		970		1105		1131
	1097		1049		1113		1144
	1105		1058		1130		1152
	1113		1089		1144		1163
	1122		1132		1152		1250
	1130	2W-0143	968		1162		1251
	1144		1049		1163		1256
	1152		1132	2W-0225	974	2W-0283	1040
2W-0125	974	2W-0144	1037		978		1048
	978		1048		981		1058
	981		1058		1048		1065
	1048		1065		1088		1072
	1088		1072		1131		1080
	1131		1080	2W-0226	1040		1088
2W-0126	1041		1088	2W-0232	▶983		1098
	1048		1098		1037		1106
	1058		1106	2W-0233	▶1028		1114
	1088		1114		▶1029		1123
	1131		1123		1037		1131
2W-0127	1041		1131		1048		1145
	1048		1145		1080		1153
	1058		1153		1088	2W-0284	1269
	1088	2W-0145	1037		1098	2W-0394	1350
	1131		1047		1123		1353
2W-0128	1041		1057		1131	2W-0445	1037
	1048		1087		1145		1047
	1058		1130		1153		1130
	1088	2W-0147	976	2W-0242	1600	2W-0446	1040

PART NUMBER INDEX

Part	Page	Part	Page	Part	Page	Part	Page
	1047		1031		1114		1048
	1057		1033		1123		1058
	1079		1048		1132		1065
	1087		1058		1145		1072
	1097		1064		1153		1080
	1105		1071		1205		1088
	1113		1080	2W-1248	911		1098
	1130		1088	2W-1268	816		1106
	1144		1098	2W-1458	1040		1114
2W-0447	1152		1105		1047		1123
	1041		1113		1057		1131
	1048		1123		1079		1145
	1058		1131		1087		1153
	1065		1144		1097	2W-1646	1048
	1072		1153		1105		1058
	1080	2W-0778	1057		1113		1080
	1088		1105		1130		1088
	1098		1113		1144		1098
	1106		1144		1152		1106
	1114	2W-0779	985		1162		1114
	1123		1047		▶ 974		1123
	1131		1079	2W-1459	1037		1131
	1145		1087		1037		1145
	1153		1097	2W-1475	974		1153
2W-0543	▶ 972		1122		1048		1205
2W-0583	959		1130		1088		1205
2W-0618	1423		1152	2W-1476	974	2W-1647	▶ 968
	1425	2W-0782	▶ 984		1033		1037
	1844		985		1048	2W-1769	1893
2W-0630	957		1047		1072	2W-1772	1378
2W-0632	1169		1057		1080		1382
	1171		1079		1088	2W-1793	2005
2W-0634	1169		1087		1098		2007
	1171		1097		1123		2009
2W-0635	1169		1105		1131		2012
	1171		1113		1153		2013
2W-0636	1169		1130	2W-1477	974		2015
	1171	2W-0784	1040		1048	2W-1918	2016
2W-0688	▶ 973		1047		1088		970
2W-0694	513		1057		1131	2W-1919	1037
	515		1087	2W-1479	974	2W-1923	1037
	534		1130		1049		▶ 1040
	536	2W-0791	1028		1089	2W-1940	816
2W-0699	2098		1029		1132	2W-1969	455
2W-0700	2098		1030	2W-1480	974		460
2W-0715	818	2W-0814	481		1048		463
	824	2W-0895	1269		1088		467
2W-0752	85	2W-0960	1917		1131		470
	86	2W-1053	301	2W-1481	974		473
	88		497		1048		476
	295		500		1088		496
	298		503		1131		500
	301		506	2W-1482	1162		503
	312		510	2W-1484	1037		506
	320		1477		▶ 1205	2W-2117	278
	452	2W-1054	▶ 2144	2W-1635	455	2W-2120	278
	453	2W-1061	190		457	2W-2288	111
	1476		192		460		112
2W-0774	2137	2W-1219	▶ 1030		463		113
	1040		1058		467		114
	1047		1106		470	2W-2324	1296
	1057		1114		473	2W-2325	1600
	1064	2W-1220	▶ 985		476	2W-2326	1600
	1071		1037		496	2W-2327	1299
	1079	2W-1228	1031		500	2W-2328	1299
	1087		1033		503	2W-2330	1299
	1097		1049		506	2W-2331	1600
	1105		1058	2W-1640	852	2W-2333	1600
	1113		1065		854		1603
	1130		1072		856	2W-2336	1600
	1144		1080		862	2W-2606	1234
	1152		1089		865	2W-2627	1035
	1163		1098		868	2W-2642	1028
2W-0776	983		1106	2W-1645	1037		1029

PART NUMBER INDEX

Part	Page	Part	Page	Part	Page	Part	Page
2W-2643	▶976	2W-4076	▶880		1058		1088
	1087	2W-4304	1064		1080		1098
	1097		1071		1088		1106
	1113		1162		1098		1114
	1122		1163		1106		1123
	1130	2W-4305	1040		1114		1131
	1144		1048		1123		1145
	1152		1057		1131		1153
2W-2662	166		1065		1145	2W-4320	1064
	167		1072		1153		1071
	168		1080	2W-4314	1064		1162
2W-2895	238		1088		1071		1163
	240		1097		1162	2W-4321	1040
	245		1106		1163		1047
	249		1114	2W-4315	1040		1057
	253		1122		1047		1065
	256		1131		1057		1072
	262		1144		1064		1079
	264		1152		1071		1087
	268	2W-4306	1040		1079		1097
	270		1047		1087		1105
	272		1057		1097		1113
2W-2940	126		1079		1105		1122
	127		1087		1113		1130
	129		1097		1130		1144
	132		1105		1144		1152
	135		1113		1152	2W-4322	1064
	137		1122		1163		1071
	139		1130	2W-4316	1040		1162
	141		1144		1047		1163
	143		1152		1057	2W-4323	1058
	144	2W-4307	1040		1065		1106
	145		1047		1072		1114
	147		1057		1079		1145
2W-2943	▶118		1064		1087	2W-4324	1040
	▶119		1072		1097		1048
	129		1079		1105		1058
2W-2944	4		1087		1113		1065
	8		1097		1122		1072
	12		1105		1130		1080
	15		1113		1144		1088
	▶129		1122		1152		1098
	▶132		1130	2W-4317	1040		1106
	▶135		1144		1047		1114
	▶137		1152		1057		1123
2W-3037	▶343	2W-4310	1040		1079		1131
2W-3146	301		1047		1087		1145
	686		1057		1097		1153
	1478		1064		1105	2W-4331	571
2W-3406	513		1071		1113	2W-4480	1866
	515		1079		1122		1869
2W-3584	426		1087		1130		1982
	427		1097		1144		1987
2W-3590	1041		1105		1152		1990
	1048		1113	2W-4318	1040	2W-4524	959
	1058		1122		1048	2W-4525	959
	1088		1130		1057	2W-4606	985
	1131		1144		1065		1031
2W-3591	974		1152		1072		1033
	1049	2W-4311	1040		1080		1047
	1089		1047		1088		1057
	1132		1057		1097		1064
2W-3675	2065		1079		1106		1071
2W-3683	2065		1087		1114		1079
2W-3684	2065		1097		1122		1087
2W-3736	1209		1105		1131		1097
2W-3737	1209		1113		1144		1105
2W-3738	1209		1122		1152		1113
2W-3798	1209		1130	2W-4319	1040		1122
2W-3799	1209		1144		1048		1130
2W-4049	901		1152		1058		1144
	904	2W-4312	1040		1065		1152
	1594	2W-4313	1040		1072	2W-4608	1049
2W-4075	▶879		1048		1080		1059

PART NUMBER INDEX

Part	Page	Part	Page	Part	Page	Part	Page
	1080		1049	2W-4899	1438		1153
	1089		1089	2W-4923	▶858		1205
	1098		1132		1604	2W-5006	976
	1106	2W-4624	974	2W-4927	▶1169	2W-5007	976
	1114		1047		▶1171	2W-5008	968
	1123		1057		1295		970
	1132		1064		1604		1049
	1145		1071	2W-4929	1508		1058
	1153		1079		1509		1089
	1205		1105	2W-4992	1269		1132
2W-4609	1299		1162	2W-4994	1049	2W-5009	1600
2W-4610	968		1163		1058	2W-5010	974
	970	2W-4625	974		1080		1049
	1049		1049		1089		1088
	1058		1089		1098		1131
	1089		1132		1106	2W-5011	1049
	1132	2W-4626	968		1114		1059
2W-4611	1299		1049		1123		1080
2W-4613	968		1058		1132		1089
	1049		1080		1145		1098
	1059		1089		1153		1106
	1080		1098		1205		1114
	1089		1106	2W-4995	1040		1123
	1098		1114		1048		1132
	1106		1132		1057		1145
	1114	2W-4627	974		1065		1153
	1132		1049		1072		1205
2W-4615	974		1089		1080	2W-5012	968
	1049		1132		1087		970
	1088	2W-4628	1600		1097		1049
	1131	2W-4629	974		1106		1058
2W-4616	968		1049		1114		1089
	1049		1089		1122		1132
	1132		1132		1130	2W-5013	1299
2W-4617	968	2W-4630	974		1144	2W-5014	1049
	1049		1049		1152		1059
	1058		1089	2W-4997	968		1080
	1080		1132		1049		1089
	1089	2W-4633	985		1058		1098
	1098		1033		1080		1106
	1106		1047		1089		1114
	1114		1071		1098		1123
	1132		1079		1106		1132
2W-4619	974		1087		1114		1145
	1033		1097		1132		1153
	1048		1122	2W-4999	968		1205
	1072		1130		1049	2W-5111	2065
	1080		1152		1058		2071
	1088	2W-4635	1049		1080		2075
	1098		1059		1089	2W-5200	1214
	1123		1080		1098		1217
	1131		1089		1106		1224
	1153		1098		1114		1226
2W-4620	968		1106		1132	2W-5213	902
	1049		1114	2W-5001	968		903
	1059		1123		970		1595
	1080		1132		1049	2W-5215	893
	1089		1145		1058		895
	1098		1153		1089	2W-5216	▶893
	1106		1205		1132		▶895
	1114	2W-4690	350		974		902
	1132		352	2W-5003	974		301
2W-4621	1299	2W-4855	279		1049	2W-5225	690
2W-4622	974	2W-4856	56		1089		693
	1033		60		1132		1479
	1049		64	2W-5005	1049	2W-5285	100
	1072		68		1058		101
	1080		▶279		1080		102
	1089	2W-4875	621		1089		1600
	1098		624		1098	2W-5450	545
	1123		627		1106	2W-5476	545
	1132	2W-4880	891		1114	2W-5477	▶539
	1153		893		1123		549
2W-4623	974		895		1132	2W-5478	539
					1145	2W-5479	539

PART NUMBER INDEX

Part	Page	Part	Page	Part	Page	Part	Page
	541		1132		974	2W-7444	1214
	547		1145		1047		1226
2W-5506	420		1153		1049	2W-7445	1214
2W-5507	421		1205		1087		1226
2W-5508	421	2W-6009	865		1089	2W-7446	1214
2W-5514	421		901		1130		1226
2W-5530	1297	2W-6047	961		1132	2W-7447	1226
2W-5531	▶1297	2W-6078	1635	2W-6507	1617	2W-7448	1226
2W-5616	▶103		1637		1618	2W-7449	1226
	▶104		1643	2W-6514	▶56	2W-7505	286
2W-5652	893	2W-6079	1627		▶58	2W-7584	202
	895		1638	2W-6524	56		212
2W-5653	893		1640		58		238
	895		1646	2W-6525	60		253
2W-5820	1161	2W-6081	1627		62	2W-7585	212
2W-5821	1161		1635	2W-6526	56		242
2W-5822	1161		1638		58		253
2W-5823	1161		1640		60	2W-7586	202
2W-5824	1161		1643		62		206
2W-5869	1049		1646	2W-6605	422		220
	1058	2W-6082	1627	2W-6606	▶420		238
	1080		1635	2W-6607	▶421		260
	1089		1637	2W-6608	▶422	2W-7703	1171
	1098		1640	2W-6618	539		1508
	1106		1643		541		1509
	1114		1646		547	2W-7704	1171
	1132	2W-6083	561	2W-6619	545		1508
	1205	2W-6108	1295	2W-6667	1004		1509
2W-5871	974		▶1506		1018	2W-7755	837
	1049		1604	2W-6672	1004	2W-7756	▶837
	1131	2W-6128	1506		1018	2W-7811	2063
2W-5872	968	2W-6129	1506	2W-6695	539		2077
2W-5873	974	2W-6286	1005	2W-6701	670	2W-7824	647
	1048		1018		674	2W-7866	▶838
	1088	2W-6287	1004	2W-6820	956	2W-7867	838
	1131		1018		957	2W-7868	838
2W-5874	1040	2W-6288	1004	2W-6889	1269	2W-7871	▶839
	1048		1007	2W-6890	985	2W-7872	839
	1080		1010		1048	2W-7989	728
	1088		1012		1058		730
	1098		1016		1089	2W-7990	728
	1123		1018		1132		730
	1131		1021	2W-6891	1040	2W-8014	335
	1153		1023		1047		336
2W-5907	1600		1025		1057		337
	1603	2W-6289	1004		1087		338
2W-5909	1600		1018		1130		339
2W-5913	974	2W-6290	1004	2W-6943	▶60		340
	1049		1018		▶62		341
	1089	2W-6291	1004	2W-7163	▶897		342
	1132	2W-6292	1004		▶899		381
2W-5916	974		1018		901		382
	1048	2W-6293	1004		904		383
	1072		1018		1594		384
	1080	2W-6325	▶1004	2W-7183	787		386
	1088	2W-6326	1004	2W-7226	500		387
	1098	2W-6333	787		511		388
	1123	2W-6382	1617	2W-7320	202		389
	1131		1618		204	2W-8023	897
	1153	2W-6417	1040		212		899
2W-5917	1600		1048		214	2W-8060	2004
2W-5974	1600		1057		228	2W-8202	30
2W-5975	1031		1065		238		34
	1033		1072		240		38
	1049		1080		253	2W-8245	▶139
	1059		1088		256		▶141
	1065		1098	2W-7321	202	2W-8338	30
	1072		1106		212		34
	1080		1114		228		38
	1089		1122		238	2W-8370	▶1919
	1098		1131		253		▶1921
	1106		1144	2W-7441	1214	2W-8371	▶1923
	1114		1152	2W-7442	1214		▶1924
	1123	2W-6418	968	2W-7443	1214		▶1926

PART NUMBER INDEX

Part	Page	Part	Page	Part	Page	Part	Page
2W-8373	▶1928		477		1835		1019
	▶1929	2W-9300	1002		1839		1169
	▶1931		1004	3B-0551	30		1171
2W-8378	460		1007		31		1479
	467		1010		34		1836
	476		1012		35		1840
2W-8500	1028		1014		96		1926
	1029		1016		350		1968
	1030		1018		352		2145
2W-8503	1028		1021		706	3B-1925	190
	1030		1025		877		192
2W-8507	1028	2W-9301	477		924	3B-4501	1209
	1030		1004		925		1348
2W-8509	1028		1007	3B-0623	149		1374
	1029		1010		150		1391
	1030		1021		151		1398
	1030		1025		154		1402
2W-8510	1030		1874		166		1625
2W-8511	1035	2W-9513	1874		168		1798
2W-8512	1028	2W-9578	6		296		1800
	1030		13		297		1801
2W-8513	1028		▶1217		297		1801
	1029	2W-9579	▶1219	3B-0645	149		1802
	1030	2W-9580	9		150		1803
2W-8514	1028		17		151		1805
	1029		▶919		154		1865
	1030	2W-9584	852		166		1866
2W-8580	▶1045		854		168		1869
			862		296		2055
2W-8583	▶1045	2W-9585	852		297		2086
2W-8585	▶1046		854		907	3B-4502	554
2W-8602	1350		862		908		1209
	1353	2W-9588	8		909		1269
2W-8603	1350		16		912		1385
	1353		▶862		914		1387
	1418	2W-9592	5		916		1389
	1420		9		924		1396
2W-8604	1418		13		925		1400
	1420		16		929		1609
	1559		▶1975		931		1612
	1560		▶1976		933		1615
	2001	2W-9593	▶1977		934		1797
	2003		▶1978	3B-1915	194		1799
2W-8684	1350	2W-9598	6		200		1804
	1353		13		204	3B-4503	554
	1353		▶920		210		556
2W-8798	1353	2W-9635	1271		214		558
2W-8799	1353		1274		216		2086
2W-8802	1350		1289		218	3B-4504	26
	1353		1292		224		28
2W-8803	1350		▶1302		250		1040
	1353		1598		257		1047
2W-8810	▶1893	2W-9723	772		279		1057
2W-8811	1893		774		280		1079
2W-8862	▶8	2W-9724	772		301		1087
2W-8868	▶12	2W-9725	▶772		348		1097
2W-8888	434		773		354		1105
2W-8894	110	2W-9726	6		447		1113
2W-8956	1605		13		457		1122
	▶1794		▶773		476		1130
2W-9063	994	2W-9727	774		496		1144
	996	2W-9728	▶774		500		1152
	998		776		503		1865
	1000	2W-9729	9		506		1871
2W-9209	467		17		510		2055
	470		21		574		2085
	473		22		690	3B-4505	24
2W-9210	603		▶776		693		26
2W-9215	2063		▶777		773		28
	2077				776		1627
2W-9217	2063				777		1635
	2077				1002		1637
2W-9228	2118				1012		1638
2W-9299	457				1014		1640
	460	3A-3692	308		1016		1643
	467						

PART NUMBER INDEX

Part	Page	Part	Page	Part	Page	Part	Page
3B-4506	1646 26 28 52 621 624 627 1208 1804	3B-7255	1625		774	3E-4352	301
		3B-7265	575		778		526
			590	3D-2992	1524		1474
			591		521	3E-4354	1481
		3B-7266	593		580	3E-4365	714
			576		582		740
		3B-7270	578	3D-4603	1271	3E-4367	1847
			517		1274		1870
			521		1277	3E-5394	1431
3B-4507	621		523		1279		1435
	624		580		1281	3E-5494	1428
	627		582		1283		1430
	714		588		1285	3E-5503	1867
	719		1530		1287		1871
	721		1532		1289	3E-6477	1350
	740	3B-7272	845		1292		1794
	744		849		1303		1795
3B-4510	1208	3B-7275	1385		1596	3E-6489	▶ 1575
3B-4604	1209		1393		1598		1887
3B-4605	1040		1396	3D-7805	515	3E-6916	301
	1047		1400	3D-9777	467		871
	1057	3B-7276	1630		470		873
	1079		1633		473		1473
	1087	3B-7277	658	3E-0125	1748	3E-7298	1623
	1097	3B-7329	603	3E-0127	1748	3E-7404	1526
	1105	3B-7728	1526		1782		1530
	1113		1528	3E-0128	1748	3E-7430	1524
	1122	3B-7733	1378		1782		1526
	1130		1382	3E-0129	1748		1528
	1152	3B-7744	850		1782		1530
	1161	3B-7745	518	3E-0130	1748		1532
	1600		520		1782		1534
	1603		1526	3E-0131	1748		1537
	1874		1528		1782		1539
3B-4615	467		1534	3E-0132	1748		1541
	470		1537		1782		1545
3B-4618	31		1539	3E-0133	1748		1547
	35		1541		1782		1557
	38		1543	3E-0134	1748	3E-7769	1658
3B-4621	734		1545		1782	3E-7771	1659
	742		1547	3E-0135	1748		1662
3B-6487	2007		1549		1782		1665
	2009		1551	3E-0136	1748		1668
	2081		1553		1782		1671
3B-6491	1532		1555	3E-0137	1748		1724
3B-6492	1483	3B-7750	656		1782		1727
	1487	3B-7866	851	3E-0138	1748		1730
	1493	3B-8453	198		1782		1733
	1495		202	3E-0139	1748		1736
3B-6498	1526		206		1782		1739
	1528		208	3E-0140	1748		1742
3B-6499	658		212		1782	3E-7775	1652
3B-6552	843		220	3E-0141	1748		1655
	1376		222		1782		1655
	1378		226	3E-0142	1748	3E-7886	▶ 1582
	1380		228		1782		1584
	1382		238	3E-0144	1748		1975
	1491		240		1782		1977
	1493		242	3E-0145	1748	3E-8557	1847
	1499		245		1782	3E-8558	1870
	1502		253	3E-0146	1748	3E-9865	1345
	1896		260		1782		1821
	1897		262	3E-3365	1623		1822
	2007		756		1819		1823
	2009		758	3E-3371	1566		1824
	2081		760		1567		1825
3B-6555	525	3B-8488	52		1573		1826
	580	3B-8489	52		1574		1827
	582	3B-8695	1826		1575		2039
3B-6556	658	3D-2824	310		1839		2042
3B-6753	1850		651	3E-3386	1878		2045
3B-6768	1621		697	3E-3389	1993		2048
	1623		770		1994		2051
	2011		772		1995	3F-0379	1652

PART NUMBER INDEX

Part	Page	Part	Page	Part	Page	Part	Page
	1658		1612		1191		1879
	1674		1615		1192		1882
	1679		1679		1194		1884
	1684		1680		1235		1886
	1689		1689		1351		1896
	1694		1694		1353		1919
	1699		1699		1588		1921
	1703		1703		2134		1933
	1706		1706		2135		1937
	1712		1707	3J-5389	301		1938
	1720		1712		310		1941
	1724		1720		647		1948
	1727		1761		710		1950
	1733	3H-3681	1679		762		1951
	1739		1680		764		1982
	1761		1689		852		1984
	1764		1694		854		1986
	1767		1699		856		2005
3F-1357	748		1704		860		2007
3F-1358	726		1706		862		2009
3F-1417	282		1707		868		2081
3F-2065	534		1712		873		2083
	556		1716		1472	3J-7355	1376
	558		1721	3J-5390	652		1378
	571		1754	3J-7311	1903		1380
	797	3H-4656	656		1954		1382
	1374		662	3J-7352	1896		1483
	1396		664		1897		1485
	1398		666		1919		1487
	1423		668		1921		1489
	1425		670		1933		1491
	1785		680		1941		1493
	1786		682		1943		1495
	1787	3H-4976	979		1948		1497
	1808	3H-5366	1348		1952		1499
	1829		1874		1954		1502
3F-5289	24	3H-5844	726		2005		1504
3F-6166	2005	3H-5939	604		2007		1899
	2083		784		2009		1901
3F-7674	1850		787		2012		1905
3F-9556	1801		790		2013		1907
	1802		2129		2015		1913
	1803	3H-6591	52		2016		1915
	1805	3H-6624	891		2081		1919
3H-0107	190		893		2083		1921
	192		895	3J-7354	149		1923
3H-0240	1271	3H-7131	457		154		1924
	1274		476		166		1926
	1277		500		168		1933
	1279		503		295		1935
	1281		506		298		1937
	1283		510		301		1938
	1285	3H-7654	348		310		1950
	1287		354		652		1952
	1289	3H-8027	734		690		1956
	1292		736		802		1968
	1596		738		1023		1970
	1598		742		1169		1971
3H-0510	1648	3H-9571	50		1171		1973
	1650	3H-9572	50		1182	3J-7719	1627
	1651	3H-9574	50		1185		1635
3H-1396	734	3J-1577	816		1188		1638
3H-2137	1423	3J-1907	310		1191		1640
	1425		693		1194		1643
3H-2617	603		750		1198		1646
3H-2652	612		752		1199	3J-9173	467
3H-3243	1247		754		1200		470
	1248		766		1203		473
3H-3433	517		769		1363	3J-9196	428
	518		1169		1364		430
	520		1171		1479		432
	521		1182		1485		434
	523		1185		1489		436
3H-3680	1609		1188		1510		438

PART NUMBER INDEX

Part	Page	Part	Page	Part	Page	Part	Page
3K-0360	94		1664		1778		1707
	285		1667	3L-7634	1752		1713
	310		1670		1753		1721
	314		1674		1770		1724
	318		1679		1771		1727
	319		1684		1772		1730
	643		1689		1773		1733
	645		1694		1774		1736
	697		1699		1775		1739
	1007		1703		1776		1742
	1010		1706		1777		1762
	1012		1712	3L-8187	1778	3N-4128	►50
	1016		1720		1620		52
	1018		1723		1621	3N-4130	►52
	1182		1726		1623		381
	1185		1729		1792		382
	1188		1732		1793		383
	1189		1735		1814		384
	1191		1738		1866		386
	1194		1741		1867		387
	1235		1761		1869		388
	1835	3L-3825	1423		1870		389
	1839		1425		1894	3N-4131	►423
	2132	3L-3869	658		2054	3N-4132	423
	2134		660	3L-8992	1471	3N-4411	2007
3K-0810	1306		662	3L-8993	958		2009
3K-2593	1297	3L-4566	1348		1483		2081
	1298		1350		1487		2063
	2130		1414		1493	3N-4416	2077
3K-2889	333		1416		1497		►2088
3K-4897	1209		1418		1502		2089
3K-6060	1497		1420		1504	3N-4418	1875
	1504	3L-5389	467		1630	3N-4420	1875
	2034		470		1633	3N-4427	1875
3K-6168	1271	3L-6521	1890	3N-1283	561		1876
	1274		1891		566		2062
	1277	3L-6746	959	3N-1284	561		2063
	1279	3L-6747	959		566		2077
	1281	3L-6749	959	3N-1285	561		2079
	1283	3L-6759	1031	3N-1287	561	3N-4512	►484
	1285		1033	3N-1328	780	3N-4513	►485
	1287		1049		781	3N-4514	525
	1289		1059	3N-1341	784	3N-4516	525
	1292		1065		787	3N-4522	►486
	1596		1072		790	3N-4565	1875
	1598		1080	3N-1400	552	3N-4579	552
	2098		1089		554		554
3K-6662	190		1098		556		556
	192		1106		558		558
3K-6905	1304		1114		571		1393
3K-7543	1322		1123		1348		1396
	2066		1132	3N-1551	279		1400
3K-8106	1355		1145		280		1485
	1356		1153	3N-1968	1520		1971
	1801		1205		1522		1972
	1805	3L-6836	1771	3N-2419	1396		2007
3K-8460	310		1772		1786		2009
	802		1774	3N-2652	►604		2081
3K-8782	1625		1776	3N-3297	543	3N-4622	782
	2017		1777	3N-3299	543		1394
	2021	3L-7314	1345	3N-3300	543		1483
	2025		1412	3N-3469	2118		1485
	2029		1414	3N-3763	1659		1487
	2033		1416		1662		1489
	2038		1418		1665		1491
	2041		1420		1667		1493
	2044	3L-7604	1752		1670		1495
	2047		1753		1675		1497
	2050		1770		1680		1499
3K-9770	1850		1771		1685		1502
3L-1337	2011		1773		1690		1504
3L-2227	422		1774		1695		2007
3L-3380	1658		1775		1700		2009
	1661		1776		1704		2081

PART NUMBER INDEX

Part	Page	Part	Page	Part	Page	Part	Page
3N-4653	▶1331		2063		734		2079
3N-4654	▶1333		2077		736	3N-9016	▶1889
3N-4792	1947		2079		738	3N-9124	979
3N-4793	▶487	3N-5989	2063		740	3N-9259	658
3N-4829	845		2066		742		672
	850		2077		744		674
3N-4868	▶488		2083	3N-8446	734		676
3N-4869	483	3N-5990	1864		742	3N-9270	1208
	▶489	3N-5992	1864		744	3N-9272	1208
3N-4905	▶490	3N-6504	1173	3N-8447	734	3N-9606	617
3N-4907	▶491	3N-7012	2090		742		621
3N-4911	525	3N-7057	517		744		624
3N-5611	2017		518	3N-8448	734		627
	2021		520		742		632
	2025		521		744		636
	2029		523	3N-8451	734		641
	2033		580	3N-8452	734	3N-9610	621
3N-5714	1348		582		742		624
3N-5738	1302		588		744		627
	1303	3N-7193	1889	3N-8453	734	3N-9626	621
3N-5739	1302	3N-7212	1889		736	3N-9629	624
	1303	3N-7223	1524		738	3P-0647	986
3N-5744	1271	3N-7229	2007		742	3P-0649	447
	1274		2009	3N-8455	734		448
	1277		2081		742		476
	1279	3N-7234	1896		744		510
	1281		1897	3N-8456	734	3P-0654	312
	1283		2007		736		345
	1285	3N-7281	1199		738		347
	1287	3N-7361	▶492		742		348
	1289	3N-7471	699	3N-8462	719		350
	1292		701		721		352
	1596	3N-8123	50		734		354
	1598	3N-8124	50		742		356
3N-5751	1277	3N-8125	50		744		358
	1279	3N-8213	719	3N-8463	714		360
	1292		721		719	3P-0655	496
3N-5752	1306	3N-8215	734		721		500
3N-5755	1271		736		734		503
	1274		738		736		506
	1277		742		738		510
	1279	3N-8216	734		740	3P-0657	574
	1281		736		742	3P-1156	1023
	1283		738		744	3P-1896	100
	1285		742	3N-8464	734		102
	1287	3N-8217	719		736		907
	1289		721		742		908
	1292	3N-8218	719	3N-8466	734		909
	1596		721		736		912
	1598	3N-8269	2062		738		914
3N-5757	1302		2063		742		916
	1303		2077	3N-8467	734		924
3N-5762	1982		2079	3N-8468	734		925
3N-5977	1877	3N-8271	▶1789		742		929
	1878	3N-8275	▶2089		744		931
3N-5979	2017	3N-8276	▶2090	3N-8469	734		933
	2021	3N-8277	▶2119		742		934
	2025	3N-8278	1820		744	3P-2021	576
	2029		2013	3N-8470	734		580
	2033		2068	3N-8593	1850		1526
	2038	3N-8403	1281	3N-8888	▶621		1528
	2041		1283		623	3P-4347	190
	2044		1289	3N-8889	▶623		192
	2047	3N-8441	734	3N-8890	▶624	3P-6048	1198
	2050		742		626		1361
3N-5986	2062		744	3N-8891	▶626		1363
	2063	3N-8442	734	3N-8892	▶627		1364
	2077		742		629		1485
	2079		744	3N-8893	▶629		1489
3N-5987	2062	3N-8444	734	3N-9011	▶1895		2011
	2063		736	3N-9012	1322	3P-6061	301
	2077		738		▶1864		656
	2079		742	3N-9015	▶1875		658
3N-5988	2062	3N-8445	714		2062		660

PART NUMBER INDEX

Part	Page	Part	Page	Part	Page	Part	Page
	662		240	3T-0850	1757	3T-3422	1652
	664		242		1759		1655
	666		245	3T-0858	1757		1661
	668		249		1759		1664
	670		253	3T-0862	1757		1667
	672		256		1759		1670
	674		260	3T-0863	1757		1674
	676		262		1759		1679
	678		264	3T-0864	1757		1684
	680		266		1759		1689
	682		268	3T-0865	1757		1694
	690		270		1759		1699
	693		272	3T-0867	1757		1703
	717	3S-1546	730		1759		1706
	724		732	3T-1415	1408		1712
	728		748	3T-2159	2093		1720
	730	3S-2093	1345		2094		1723
	732		1448	3T-2162	2094		1726
	746		1449	3T-2164	2092		1729
	748		1454		2093		1732
	756		1455	3T-2646	▶1673		1735
	758		1587		1750		1738
	760		1817		1752		1741
	1479		1818	3T-2768	1757		1761
3R-6569	1271		1847		1759		1764
	1274		1887	3T-2769	1757		1767
	1277		1950		1759	3T-3423	1658
	1279		1971	3T-3043	1870		1659
	1281		1972	3T-3106	1679		1661
	1283		2011		1689		1662
	1285		2013		1694		1664
	1287		2017		1699		1665
	1289		2021		1703		1667
	1292		2025		1706		1668
	1596		2029		1712		1670
	1598		2033		1720		1671
3R-8797	1655		2038		1761		1674
	1662		2041	3T-3270	1621		1675
	1665		2044		1623		1679
	1667		2047	3T-3370	1614		1680
	1670		2050	3T-3418	1658		1684
	1730		2066		1661		1685
	1736		2068		1664		1689
	1741	3S-3074	404		1667		1690
3R-8801	1615		2132		1670		1694
	1658	3S-6049	1327		1674		1695
	1662	3S-6050	1327		1679		1699
	1665	3S-8313	703		1684		1700
	1667		705		1689		1703
	1670		891		1694		1704
	1675		893		1712		1706
	1680		895		1720		1707
	1685	3S-8664	38		1726		1712
	1690		784		1729		1713
	1695		787		1738		1720
	1703		790		1741		1721
	1707	3S-8665	850	3T-3419	1675		1723
	1713	3S-9643	320		1680		1726
	1720		322		1685		1727
	1724		643		1690		1729
	1727		645		1713		1730
	1730		646		1721		1732
	1733		647	3T-3420	1675		1733
	1736		648		1680		1735
	1739		649		1685		1736
	1742		650		1690		1738
	1762	3T-0842	1757		1695		1739
3R-9595	1489		1759		1700		1741
3S-1099	2005	3T-0844	1757		1704		1742
	2083		1759		1707		1761
3S-1223	301	3T-0847	1757		1713		1762
	910		1759		1721	3T-3424	1658
	1480	3T-0849	1757	3T-3421	▶1609		1659
3S-1307	238		1759		1699		1661

PART NUMBER INDEX

Part	Page	Part	Page	Part	Page	Part	Page
	1662		1767	3T-4711	1658		1684
	1664	3T-3453	1625		1720		1689
	1665	3T-3678	565		1723		1694
	1667	3T-3679	552		1761		1699
	1668		▶565	3T-4712	1761		1703
	1670	3T-3732	566	3T-4716	1757		1706
	1671	3T-3733	554		1759		1712
	1674		▶566	3T-5051	▶1612		1720
	1675	3T-3734	556		1674		1723
	1679		▶568		1679		1724
	1680	3T-3735	534		1684		1726
	1684		558		1706		1727
	1685		▶569	3T-5343	1670		1729
	1689	3T-3848	1204		1700		1730
	1690		1893		1707		1732
	1694		1941		1724		1733
	1695		1943		1733		1735
	1699		1948		1736		1736
	1700	3T-4278	1319	3T-5433	1428		1738
	1703	3T-4696	1455	3T-5440	1699		1739
	1704	3T-4700	1695		1703		1742
	1706		1700		1706	3T-9524	1658
	1707		1704		1723		1662
	1712		1707		1732		1665
	1713		1762		1735		1667
	1716	3T-4701	1761	3T-5962	1716		1670
	1720	3T-4702	1761		1754		1674
	1721	3T-4703	1761	3T-6354	1307		1679
	1723	3T-4704	▶1611		1309		1684
	1726		1673		1311		1689
	1727	3T-4705	1761		1313		1694
	1729	3T-4706	1761		1316		1699
	1730	3T-4709	1561	3T-7017	1757		1703
	1732		1658		1759		1706
	1733		1661	3T-7020	1757		1712
	1735		1664		1759		1720
	1736		1674	3T-7021	1757		1724
	1738		1679		1759		1727
	1739		1684	3T-7022	1757		1730
	1741		1689		1759		1733
	1742		1694	3T-7025	1757		1736
	1755		1699		1759		1739
	1761		1703	3T-7582	568		1741
	1762		1706	3T-7583	569	3T-9525	▶1561
3T-3433	1675		1712	3T-8635	▶1614		1658
	1680		1720		1716		1661
	1685		1723		1754		1664
	1690		1726	3T-8943	▶1674		1667
	1695		1729		1773		1670
	1700		1732	3T-8948	▶1679		1674
	1704		1735		▶1684		1679
	1707		1738	3T-8949	▶1689		1684
	1721		1761		1711		1689
	1762	3T-4710	1561	3T-8953	▶1694		1694
3T-3434	1652		1658		1719		1699
	1655		1661	3T-8954	▶1699		1703
	1659		1664		▶1703		1706
	1661		1674		1775		1712
	1664		1679		1779		1720
	1667		1684	3T-8960	▶1706		1723
	1670		1689		1778		1726
	1675		1694	3T-8967	▶1711		1729
	1680		1699		▶1712		1732
	1685		1703	3T-9494	1561		1735
	1690		1706		1658		1738
	1713		1712		1659		1741
	1723		1720		1661	3V-2431	172
	1726		1723		1662		173
	1729		1726		1664		174
	1732		1729		1665		175
	1735		1732		1668		176
	1738		1735		1671		177
	1741		1738		1674		178
	1764		1761		1679		179

PART NUMBER INDEX

Part	Page	Part	Page	Part	Page	Part	Page
	180		1518		354		1584
3V-3308	301		1798		356		1585
	311		1800		358		1835
	604		2034		360		1839
	690	4B-2047	1307	4B-2479	897		1975
	809		1309		899		1977
	813		1311	4B-3140	350	4B-4283	30
	832		1322		352		31
	834		1351		356		34
	835		1353		358		35
	840		1385		360	4B-4716	50
	852		1387		479	4B-4721	50
	854		1389		480	4B-4754	52
	862		1396		496	4B-4758	50
	1479		1400		500	4B-4792	52
	1630		1414		503	4B-4810	52
	1633		1416		506	4B-4845	28
3V-6153	30		1418		510	4B-4863	1209
	34		1420	4B-3388	238		1345
	38		1797		240		1348
	1516		1799		242		1355
	1518		1802		245		1356
	1520		1803		249		1516
	1522		1996		253		1518
	1941		1998		256		1801
	1948		2000		260		1805
	2005		2034		262		1866
	2083		2066		264		1869
3W-4871	2050	4B-2049	1609		961		1879
			1611		964		1882
			1612	4B-3612	964		1884
			1615	4B-3643	1297		1886
			1652		1298		2034
			1655	4B-4043	91		2085
4B-0831	1182		1659		92	4B-5324	1416
	1185		1662		94		1869
	1188		1665		96		1894
4B-1218	1269		1668		98		2030
4B-1226	1351		1671		746		2034
4B-1227	552		1674	4B-4274	1322		2052
	554		1684		1351		2054
4B-1230	1716		1724		1609		2086
	1754		1727		1611	4B-7270	52
4B-1233	1385		1730		1612	4B-7770	31
	1387		1733		1615		35
	1389		1736		1679		38
	1396		1739		1706	4B-8407	91
	1400		1742		1713		92
	1797		1748		1721		94
	1799		1764		1802		96
4B-1243	552		1767		1803		98
	554		1782		1828		190
	556		1875		1865		192
	558		1876		1866		314
	571		1877		1869		318
4B-2041	1865		1878		1877		319
	1867		1891		1878		380
	1870		1895		2017		605
	1893		2017		2021		688
	2018		2021		2025		706
	2022		2025		2029		708
	2026		2029		2033		762
	2055		2033		2055		764
	2085		2063	4B-4276	1040		2131
	2086		2066		1716		2132
4B-2043	1313		2071		1754		2136
	1316		2075	4B-4278	629	4B-8701	1850
	1319		2077	4B-4280	1609	4B-9782	651
	1345		2079		1612		770
	1374		2083		1615		1004
	1391	4B-2363	105		1761		1023
	1398		348	4B-4281	1576		1025
	1402		350		1578		1235
	1516		352		1583		1237

4

PART NUMBER INDEX

Part	Page	Part	Page	Part	Page	Part	Page
	1239		1504		1806		660
4C-9592	2149	4F-0411	778		1937		672
4C-9594	2149	4F-3765	348		1945		674
4C-9595	2149		350	4F-8184	1374		676
4C-9596	2149		352		1396		678
4C-9598	2149		354		1398	4J-7533	728
4C-9601	2149		481	4F-8711	1351		730
4C-9603	2149		482		1353		732
4C-9605	2149	4F-4584	897		1412		748
4D-0449	172		899		1414	4K-0149	96
	173	4F-4879	30		1416	4K-0367	331
	174		34		1418		333
	175		38	4F-9351	574		616
	176		1516	4H-0002	50		631
	177		1518	4H-0019	52		635
	178	4F-7226	320	4H-1722	994		639
	179		322		996	4K-0684	1850
	180		1213		998	4K-5175	1607
4D-0514	31		1217		1000	4K-6498	1351
	35		1219	4H-1860	805	4K-9097	513
	129		1220	4H-3157	26		534
	153		1221		28		536
	166		1223	4H-3283	56	4K-9841	728
	168		1224		58	4L-1250	2035
	169		1228		60	4L-1848	670
	198		1229		62		672
	202		1230		64		674
	206		1231		66		676
	208		1232		68		678
	212		1233		70		680
	220	4F-7387	301	4H-6996	603		682
	222		690	4H-7869	41	4L-2729	1659
	226		693		42		1662
	228		746		91		1665
	242		756		92		1668
	245		758		94		1671
	253		760		98		1713
	397		1479		314		1724
4D-1260	2021	4F-7389	656		318		1727
	2025		658		319		1730
	2041		660		1630		1733
	2044		662		1633		1736
4D-1322	968		664		1642		1739
	1049		666		1649		1742
	1059		668		1751		1762
	1080		670		1753	4L-3527	50
	1089		672		1780	4L-3862	623
	1098		674		1781		626
	1106		676		2132	4L-6155	1771
	1114		678	4H-8158	986		1772
	1123		680		988		1774
	1132		682	4J-0521	575		1776
	1145	4F-7957	897		578		1777
	1153		899		586	4L-6459	1532
4D-1836	1867		1169		588	4L-6665	420
	1871		1171		590		1850
4D-2303	1998		1271		593		1853
4D-3118	1627		1274	4J-4102	30		1854
	1635		1277		34		1855
	1637		1279		38	4L-8149	301
	1638		1281	4J-4144	1252		526
	1640		1283		1254		1474
	1643		1285	4J-4382	728	4L-8606	612
	1646		1287		732	4L-9600	668
4D-5668	1208		1289		748		670
4D-8948	1905		1292		865		674
	1907		1376		1004		676
	1913		1378		1007	4M-0189	1023
	1915		1380		1010		1761
	1971		1382		1021	4M-0200	1874
	1972		1508		1023	4M-1815	1609
4D-9517	1485		1509		1025		1611
	1489		1596	4J-5477	1161		1612
	1502		1598	4J-5627	658		1615

PART NUMBER INDEX

Part	Page	Part	Page	Part	Page	Part	Page
	1733		1670		1661		1890
	1739		1674		1664		1891
4M-1827	1652		1675		1667		1893
	1655		1679		1670		1971
	1659		1680		1675		1972
	1661		1684		1680		2065
	1664		1685		1685		2069
	1675		1689		1690		2071
	1680		1690		1695		2073
	1685		1694		1700		2075
	1690		1695		1704	4M-6107	714
	1695		1699		1707		719
	1700		1700		1713		721
	1704		1703		1721		738
	1707		1706		1723		740
	1713		1707		1726		744
	1721		1712		1729	4M-6425	799
	1723		1720		1732	4M-6646	818
	1726		1723		1735		820
	1729		1726		1738		824
	1732		1729		1741		826
	1735		1732		1762	4M-6853	96
	1738		1735	4M-1868	1761		1770
	1741		1738	4M-1896	1659		1773
	1761		1741		1662		1775
	1764		1761		1665		1778
	1767		1764		1668		1779
4M-1828	1652		1767		1671	4M-6953	55
	1655	4M-1833	1680		1675	4M-8303	190
	1658		1690		1680		192
	1661		1695		1685		990
	1664		1700		1690		992
	1675		1704		1695	4N-0205	1516
	1680		1707		1700		1518
	1685		1713		1704	4N-0683	127
	1690		1721		1707		129
	1695		1762		1713		132
	1700	4M-1839	1761		1721		135
	1704	4M-1841	1761		1724		137
	1707	4M-1851	1675		1727		335
	1712		1680		1730		336
	1721		1685		1733		337
	1723		1690		1736		338
	1726		1695		1739		339
	1729		1700		1742		340
	1732		1704	4M-2442	784		341
	1735		1707		787		342
	1738		1713		790		381
	1741		1721	4M-3217	1716		382
	1761		1762		1754		383
	1764	4M-1853	1659	4M-3248	539		384
	1767		1661		541		386
4M-1829	1658		1664		545		387
	1675		1667		547		388
	1680		1670		573		389
	1685		1675	4M-5274	1609	4N-0684	803
	1690		1680		1612		805
	1695		1685	4M-5281	2145		807
	1700		1690	4M-5317	552	4N-0730	▶ 1468
	1703		1695		554	4N-0932	907
	1707		1700		556		908
	1712		1704		558		909
	1721		1707		1395		912
	1723		1713		1483		914
	1726		1721		1485		916
	1732		1723		1487		924
	1738		1726		1489		925
	1761		1729		1491		929
4M-1831	1652		1732		1493		931
	1655		1735		1495		933
	1658		1738		1497		934
	1661		1741		1499	4N-0933	96
	1664		1762		1502		98
	1667	4M-1854	1659		1504	4N-0996	348

PART NUMBER INDEX

Part	Page	Part	Page	Part	Page	Part	Page
	350		772		2021	4P-5438	272
	352		774		2025	4P-5440	272
	354	4N-7521	1748		2029	4P-5490	287
4N-1059	1750		1782		2033	4P-5494	1194
	1752	4N-7556	1491		2057	4P-5495	1194
4N-1114	91		1493		2058	4P-5635	783
	92		1499		2059	4P-5637	541
	94		1502		2060	4P-5638	▶541
	96		▶1514		2061		551
	98	4N-9019	1481	4P-2163	301	4P-5766	▶783
4N-1320	301	4N-9404	1716		684	4P-5767	▶778
	315		1754		1477	4P-6407	1881
	318	4N-9681	31	4P-2521	167		1882
	319		35	4P-2586	▶1795		1885
	350		38	4P-2731	▶1621	4P-6409	26
	362	4N-9720	623		▶1623		28
	364		626	4P-2839	457	4P-6538	▶978
	605	4P-0692	301		460		1033
	652		308		467		1071
	654		495	4P-3003	6	4P-6857	1031
	688		526		13		1033
	706		528		▶432		1064
	708		530	4P-3429	824		1071
	1479		532	4P-3487	1168	4P-6859	1031
	2129		1016	4P-3563	301		1033
	2130		1174		308		1065
	2131		1178		684		1072
	2134		1194		697	4P-6860	1031
	2136		1239		1477		1033
	2138		1474	4P-3784	479		1065
4N-1650	44		1477	4P-3818	815		1072
	46	4P-0693	1174	4P-3819	815	4P-6861	1031
	47		1178	4P-3897	301		1033
	48		1194		686		1065
	49		1237		1478		1072
	306		1239	4P-3966	24	4P-6863	1031
	308	4P-0726	301	4P-4431	1064		1033
	1476		684		1071		1065
4N-3311	783		1478	4P-4616	301		1072
	784	4P-0870	309		684	4P-6864	1065
	787	4P-1491	301		1478		1072
	790		860	4P-4642	301	4P-6867	1031
4N-3411	1483		1472		1476		1033
	1485	4P-1531	301	4P-4890	536		1065
	1487		860	4P-4926	▶534		1072
	1489		1472		▶536	4P-6869	967
	1491	4P-1703	1962	4P-4927	534	4P-6927	1065
	1493		1966		536		1072
	1495	4P-1931	1018	4P-4930	1348	4P-7068	1836
	1497	4P-1932	1194	4P-5020	1295		1840
	1499	4P-2007	301		▶1508	4P-7263	▶143
	1502		871		1604	4P-7442	▶575
	1504		1473	4P-5090	272	4P-7581	308
4N-3830	▶977	4P-2160	2017	4P-5091	272		504
	979		2021	4P-5211	333		507
	982		2025	4P-5242	575		523
4N-3986	▶1313		2029		578		1806
	▶1316		2033		586		1817
	1322		2057		588		1818
4N-3987	▶1319		2058		590		1835
	1322		2059		593		1839
4N-4405	1716		2060	4P-5284	▶1348		1866
	1755		2061	4P-5285	1348		1869
	1757	4P-2161	2017	4P-5295	778		1931
	1759		2021	4P-5296	301		1940
4N-4519	972		2025		684		1946
4N-4520	972		2029		1478		1960
	973		2033	4P-5297	301		1962
	977		2057		684		1966
4N-4523	972		2058		1478	4P-7680	301
	973		2059	4P-5426	20		871
	977		2060		22		873
4N-5834	651		2061		▶291		1473
	770	4P-2162	2017	4P-5437	272	4P-8098	1506

PART NUMBER INDEX

Part	Page	Part	Page	Part	Page	Part	Page
4P-8134	308		473		62	4W-1478	918
	1806	4V-9782	1021		64		919
	1835	4W-0085	979		66		920
	1839	4W-0090	467		68		926
	1867		470		70		927
	1871		473	4W-0761	56		930
	1931	4W-0095	4		58		935
	1940		8		60		939
	1946		12		62		940
	1962		15	4W-0762	64		944
	1966		▶165		66		945
4P-8144	1065	4W-0096	467		68		948
	1072		470		70		2133
4P-8463	1530		473	4W-0765	64	4W-1522	▶2
	1557	4W-0156	▶2004		66	4W-1528	▶92
4P-9075	1233	4W-0288	467	4W-0766	68	4W-1529	4
4P-9076	▶1167		470		70		8
	1229		473	4W-0803	64		12
4P-9077	1230	4W-0289	467		66		15
	1231		470		68		22
4P-9226	308		473		70		▶94
	450	4W-0290	467	4W-1035	6	4W-1534	▶2
4P-9312	744		470		9	4W-1568	▶1834
4R-8658	453		473		13	4W-1703	▶794
4R-9437	631	4W-0334	467		17	4W-1704	▶795
4S-1936	1201		470		▶434		1378
4S-1962	1425		473		▶436		1382
4S-1988	1438	4W-0335	391	4W-1222	820	4W-1705	797
	2052		392		826	4W-1706	▶796
4S-4857	1958	4W-0343	468	4W-1223	814		1385
	1962		471		820	4W-1772	897
	1964		473		826		899
	1966	4W-0506	2062	4W-1224	814	4W-1773	897
4S-5575	1491		2063		820		899
4S-5719	310		2077	4W-1225	▶820	4W-1774	4
	496		2079		924		12
4S-5882	455	4W-0507	2063		925	4W-1775	▶797
	457		2077	4W-1232	918		1169
	460	4W-0508	2063		▶924	4W-1901	1506
	463		2066		946	4W-1923	897
	467		2077		947		899
	470		2083		948	4W-1954	891
	473	4W-0509	1895	4W-1233	918		893
	476		1896		▶925	4W-1989	794
	544		1897	4W-1300	168		795
	549	4W-0511	1895	4W-1329	820		796
	550		1897		826		797
	551		2063	4W-1449	4		▶2142
4S-5898	301	4W-0530	301		8	4W-2109	1526
	846		690		12		1528
	860		693		15		1534
	1472		1479		▶446		1539
4S-6399	1363	4W-0531	301	4W-1450	446		1553
	1489		690	4W-1453	862	4W-2110	1526
	1499		693		865		1528
	1502		1479		868		1534
	1504	4W-0712	5	4W-1454	918		1539
	1516		12		919		1553
	1518		16		920		1553
	1520		▶865		926	4W-2173	▶926
	1630		▶868		927	4W-2175	▶927
	1633	4W-0715	852		930	4W-2215	1353
	1919		854		935	4W-2216	1353
	1933		862	4W-1455	920	4W-2217	1353
	1935	4W-0716	856		926	4W-2359	364
	1941		865		935		918
	1943		868	4W-1456	918		919
	1948	4W-0756	▶64		919		920
4S-7756	190		▶66		927		926
	192	4W-0757	▶68		930		927
	990		▶70		939		930
	992	4W-0758	56		944		935
4V-7412	455		58		948		939
	463		60				

PART NUMBER INDEX

Part	Page	Part	Page	Part	Page	Part	Page
	940	4W-3177	1040		500	4W-4923	290
	944		1047		503	4W-4973	▶2092
	945		1057		506	4W-4980	611
	948		1079		510		▶613
	2133		1087	4W-4444	1005	4W-4998	268
4W-2493	990		1097		1018		270
	992		1105	4W-4472	1896	4W-5015	86
4W-2541	972		1113		2077		88
	973		1130		2079		90
	977		1144	4W-4526	▶2062	4W-5069	858
4W-2542	972	4W-3178	1152		2066	4W-5107	▶1635
	973		1040	4W-4527	▶2063		1649
	977		1048		2068	4W-5108	▶1637
4W-2637	1359		1057	4W-4536	1483		1648
4W-2640	1359		1064		1487	4W-5109	▶1638
4W-2641	1359		1071	4W-4551	1162		1651
	1360		1080	4W-4561	1913	4W-5110	▶1640
4W-2642	1359		1088	4W-4563	1913		1650
4W-2643	▶1516		1098		1915	4W-5137	1004
4W-2644	▶1518		1106	4W-4586	266	4W-5229	▶2065
4W-2645	1516		1114		270	4W-5267	▶990
	1518		1123		272	4W-5276	1878
4W-2646	▶1366		1131	4W-4587	990	4W-5307	2007
4W-2648	1516		1145	4W-4589	990		2009
	1518		1153	4W-4595	192		2012
	1520	4W-3251	457	4W-4596	190		2013
	1522		460	4W-4631	▶630		2016
4W-2683	2062		467	4W-4632	614		2081
	2063		2131		▶631	4W-5308	1896
4W-2767	▶1359	4W-3474	1975		▶632		1897
4W-2768	▶1359		1976	4W-4641	▶634		2005
4W-2966	4	4W-3565	1168	4W-4642	614		2007
	8	4W-3567	1168		▶635		2009
	12	4W-3569	1168		▶636		2081
	15	4W-3595	1516	4W-4651	▶638		2083
	▶961		1518	4W-4652	615	4W-5309	▶2066
4W-3027	308	4W-3655	1928		▶639	4W-5310	▶2005
	320		1929		640	4W-5424	▶956
	322		1945		641		1376
	440		1950	4W-4677	496		1378
	444		1951		500		1380
	446		1958		503		1382
4W-3034	308		1964		506	4W-5425	1376
	440	4W-3656	1928		510		1380
	442		1929	4W-4750	▶1843	4W-5426	▶957
	443		1945		1845		1378
	444		1950	4W-4753	▶1801		1382
	446		1951	4W-4754	▶1802	4W-5427	1378
4W-3047	▶901	4W-3657	1903	4W-4755	▶1803		1382
4W-3048	▶902		1941	4W-4794	648	4W-5552	5
	▶903		1943	4W-4803	961		15
4W-3053	876		1948	4W-4813	116		▶268
	877		1954		117	4W-5592	455
4W-3100	320	4W-3658	1903		119		460
	322		1941		121		463
4W-3108	647		1943		122		467
	787		1948		123		470
	790		1954		124		473
4W-3169	1600	4W-3659	1941		125		476
4W-3170	1299		1950		141	4W-5596	496
4W-3176	1040	4W-3660	1941		143		500
	1047		1948		147		503
	1057	4W-3661	1945	4W-4814	119		506
	1064		1951		122	4W-5597	496
	1071	4W-3662	1945		124		500
	1079		1951		125		503
	1087	4W-3744	510		135		506
	1097	4W-3864	764		137	4W-5704	112
	1105		766		141	4W-5705	112
	1113	4W-3925	1353	4W-4832	820	4W-5706	112
	1122	4W-3969	1350	4W-4833	820	4W-5707	112
	1130		1353	4W-4834	820	4W-5708	112
	1144	4W-4011	647	4W-4842	646	4W-5709	370
	1152	4W-4313	496	4W-4922	289		374

PART NUMBER INDEX

Part	Page	Part	Page	Part	Page	Part	Page
4W-5710	370		503		▶1509	4W-7775	1850
	374	4W-6252	▶576	4W-6887	1604	4W-7776	1850
4W-5711	370		▶578	4W-6960	▶2068	4W-7793	1360
	374	4W-6253	▶580		455	4W-7957	1350
4W-5712	370	4W-6254	▶582	4W-6964	460		1353
	374	4W-6255	▶584		852	4W-7959	891
4W-5713	370		▶586		854		893
	374	4W-6257	582	4W-6965	862	4W-8206	895
4W-5725	1168		584	4W-7078	476		1050
4W-5821	▶381	4W-6258	586	4W-7192	▶463		1090
4W-5823	▶335		576		1		1133
4W-5890	301		578		457	4W-8207	970
	506	4W-6305	580		463		1050
	1477		1919	4W-7202	▶1376		1059
4W-5892	4	4W-6306	1919	4W-7205	▶1378	4W-8403	52
	8	4W-6307	1923	4W-7208	▶1380	4W-8404	52
	12	4W-6308	1923	4W-7211	▶1382	4W-8459	460
	15	4W-6358	112	4W-7213	1376		477
	20	4W-6387	455		1378	4W-8467	457
	22		460	4W-7214	1376		463
	▶611		463		1378	4W-8468	460
4W-5906	5	4W-6401	1602	4W-7215	1382		476
	8		1605	4W-7216	1382		468
	12		1809	4W-7217	1380		471
	16	4W-6402	1602		1382	4W-8471	1350
	▶270		1605	4W-7218	1382		1353
	▶272		1809	4W-7219	1380	4W-8484	374
4W-5972	1160	4W-6433	1928	4W-7220	1382	4W-8697	1850
	2017	4W-6434	1928		1382	4W-8754	1996
	2021	4W-6461	▶2007	4W-7241	1039		1998
	2025	4W-6462	▶1941		▶1047	4W-8755	1996
	2029		▶1943		1142		1998
	2033	4W-6463	▶1945	4W-7269	1045	4W-8757	1996
	2038		▶1946		1046		1998
	2041	4W-6491	457		▶1057	4W-8787	1348
	2044		463		1143		2030
	2047	4W-6492	476	4W-7367	970	4W-8790	1160
	2050		463		1049		2030
4W-5986	1923	4W-6500	▶2115		1058	4W-8864	1850
	1924	4W-6627	981	4W-7369	1047	4W-8918	1004
	1926		1049		1057		1007
	1937		1089		1079		1010
	1938		1132		1087		1021
4W-5987	1937	4W-6664	44		1105		1023
4W-5988	1933		46	4W-7402	1130		1025
	1935		47		370	4W-8976	1850
4W-5989	1933	4W-6673	▶728		378	4W-9027	911
4W-5990	1899		▶730	4W-7403	370	4W-9029	911
	1901	4W-6674	▶732	4W-7599	1414	4W-9479	26
	1919	4W-6675	732	4W-7628	1050		28
	1933	4W-6676	728		1059	4W-9489	26
	1935		730		1081		28
	1952	4W-6677	728		1090	4W-9560	165
	1956		730		1099		▶166
4W-5991	1933		732		1106		▶167
4W-5992	1923	4W-6682	432		1114	4W-9712	4
	1924		434		1124		15
	1926		436		1133		▶48
	1937		438		1145	4W-9779	434
	1938		438		1154	4W-9968	▶467
4W-5993	1937	4W-6803	▶2009	4W-7652	1049		▶470
4W-5994	▶1933		4		1058		▶473
	▶1935	4W-6874	8		1089		
4W-5995	▶1937		12		1132		
	▶1938		15	4W-7656	434		
	▶1940		▶460		438		
4W-6062	5	4W-6882	▶190	4W-7774	432		
	9		1295		434		
	12	4W-6883	▶192		436		
	16		1604		438		
	▶500	4W-6885	1295				
	▶503						
4W-6066	500						

PART NUMBER INDEX

Part	Page	Part	Page	Part	Page	Part	Page
5B-0213	155		784		652		320
	159		787		664		2132
5B-0841	301		790		666		2137
	690	5B-9627	1909		668	5G-0400	891
	693		1911		670	5G-2318	2004
	1479		1917		672	5H-3182	961
5B-2407	52		1918		674	5H-6005	970
5B-2638	301	5C-2874	1745		676	5H-6467	1209
	690		1747		678	5H-6493	1028
	693		1757		680		1029
	1479		1759		682		1030
5B-3180	1209		1865		803	5H-6529	1269
5B-3265	717		2055		805	5H-6531	1269
	724		2085		807	5H-6555	1345
	728		2086	5F-5434	30		1893
	730	5C-2890	2018		34		2018
	732		2022		38		2022
	748		2026		1395		2026
5B-4399	301		2030	5F-5990	1173		2034
	690		2034	5F-6371	517		2054
	693		2038		518	5H-6734	315
	1479		2041		520		773
5B-4855	1530		2044		521		776
	1557		2047		523		777
	1849		2051		575		2130
5B-5821	44	5C-6819	891		576		2135
	46	5D-0019	2071		578		2136
	306		2075		580		2138
	308	5D-0284	2065		582	5H-7225	603
	1476	5D-1026	784		584	5H-7598	1374
5B-7643	1491		787		586		1387
	1493		790		590		1389
	1495	5D-1708	2069		591		1391
	1499		2073		593		1394
	1502	5D-5957	320		1528		1395
	1504		322		1530		1398
5B-7661	1489		455		1534		1402
	1491		457		1539	5J-5314	1659
	1499		460		1553		1661
	1502		463		1557		1664
	1504		477	5F-6562	417		1667
	1630		603		418		1670
	1633		1002		419		1675
5B-7666	958		1004	5F-6932	335		1685
	1471		1007		336		1723
	1483		1010		337		1726
	1485		1012		338		1729
	1487		1014		339		1732
	1489		1016		340		1735
	1491		1018		341		1738
	1493		1021		342		1741
	1495		1025		381	5J-5315	979
	1497		2131		382	5J-5793	301
5B-7890	155	5E-9295	1428		383		860
	159		1436		384		1472
	165	5F-0304	91		386	5J-7303	31
	169		92		387		35
	876		94		388		38
	877		96		389		552
	1832		98	5F-9657	126		554
5B-9079	467	5F-3106	202		127		556
	470		206		129		558
	473		208		132		1364
5B-9603	664		212		135		1393
	666		220		137		1396
	668		222		139		1921
	670		226		141	5K-0605	972
	672		228		143		973
	674		746		144		977
	676	5F-4764	2149		145	5K-9090	1459
	678	5F-4899	496		147		1460
	680		500		312		1461
	682		503		314		1462
	778		506		315		1466

PART NUMBER INDEX

Part	Page	Part	Page	Part	Page	Part	Page
	1467		2075		100		476
	1543	5L-7438	2065		101		479
	1549		2073		102		480
	1551		2075		103		481
	1553	5L-7439	2065		127		482
	1555		2073		129		494
5K-9235	780		2075		132		495
	781	5L-7441	1890		135		496
5K-9979	2011		1891		137		500
5L-1263	417		2069		155		503
5L-1761	1247		2071		159		506
	1248		2073		165		510
	1249		2075		169		513
5L-2534	1483	5L-7442	1890		190		515
	1485		1891		192		517
	1487		2069		194		518
	1489		2071		196		521
	1491		2073		200		523
	1493		2075		204		526
	1495	5L-7444	1890		208		528
	1497		2069		210		530
	1499		2073		214		532
	1502	5L-7447	2065		216		534
	1504		2069		218		536
5L-2579	552		2071		222		539
	554		2073		224		541
	1374		2075		228		545
	1385	5L-7448	2069		240		547
	1396		2073		245		552
	1398	5L-7450	1890		249		554
5L-3233	843		2069		256		574
5L-3773	835		2073		262		603
	840	5L-7456	1890		264		605
	856		2069		278		607
	865		2073		279		609
	868	5L-7685	748		280		610
	2133	5L-8957	1414		282		629
5L-4398	833	5L-8983	1617		301		652
	838		1619		311		654
	839	5L-9128	624		344		656
5L-5180	1996		627		345		658
	1998	5L-9652	50		347		660
	2091	5L-9653	52		348		662
5L-5502	26	5L-9654	52		350		664
5L-5840	1160	5L-9655	52		352		666
	2017	5L-9895	▶1890		354		668
	2021		▶1891		356		670
	2025	5M-2894	26		358		672
	2029		28		360		674
	2038		30		366		676
	2041		34		368		678
	2044		38		391		680
	2047		44		394		682
	2050		46		395		686
	2091		47		396		688
5L-5879	717		48		428		691
	724		49		430		693
	728		56		432		697
	730		58		434		701
	732		60		436		706
	748		62		438		708
5L-6234	1909		64		447		710
5L-6425	1699		66		448		712
	1703		68		449		717
	1706		70		452		724
	1723		82		453		726
	1732		86		455		728
	1735		88		457		730
5L-6954	▶829		90		460		732
5L-7200	1625		91		463		746
5L-7437	2065		92		467		748
	2069		94		468		756
	2071		96		471		758
	2073		98		474		760

PART NUMBER INDEX

Part	Page	Part	Page	Part	Page	Part	Page
	768		996		1528		1667
	778		998		1534		1670
	784		1000		1537		1675
	787		1002		1539		1680
	790		1004		1541		1685
	803		1007		1543		1690
	805		1010		1545		1695
	807		1012		1547		1700
	809		1014		1549		1704
	813		1016		1551		1707
	831		1018		1553		1713
	833		1021		1555		1716
	836		1023		1559		1721
	841		1025		1560		1723
	842		1169		1594		1726
	846		1171		1595		1729
	850		1174		1797		1732
	852		1175		1798		1735
	854		1178		1799		1738
	856		1179		1800		1741
	858		1182		1806		1754
	860		1185		1809		1762
	862		1188		1835	5M-4987	190
	865		1191		1839		990
	868		1194		1848		992
	871		1199		1867	5M-6213	96
	873		1235		1870		129
	876		1237		1899		132
	877		1239		1901		139
	891		1297		1905		141
	893		1298		1907		144
	895		1322		1909		145
	901		1361		1911		288
	903		1363		1913		289
	904		1364		1915		294
	905		1368		1917		510
	913		1370		1918		652
	915		1374		1919		706
	918		1376		1921		787
	919		1378		1926		805
	920		1380		1931		852
	926		1382		1933		856
	927		1385		1935		865
	930		1387		1940		868
	935		1389		1946		893
	936		1391		1952		895
	937		1396		1956		1271
	938		1398		1958		1274
	939		1400		1960		1277
	940		1402		1962		1279
	941		1412		1964		1281
	942		1414		1966		1283
	943		1416		1968		1285
	944		1418		1970		1287
	945		1420		1973		1289
	946		1422		1977		1292
	947		1472		1978		1302
	948		1473		2001		1303
	949		1476		2003		1491
	950		1479		2005		1499
	951		1489		2007		1596
	952		1491		2009		1598
	953		1499		2012		1630
	954		1502		2013		1633
	955		1504		2015	5M-6214	510
	961		1506		2016		563
	964		1508		2066		565
	979		1509		2081		566
	982		1516		2083		568
	986		1518		2145		569
	988		1520	5M-3034	1161		762
	990		1522		1659		764
	992		1524		1661		1271
	994		1526		1664		1274

PART NUMBER INDEX

Part	Page	Part	Page	Part	Page	Part	Page
	1277		676	5N-2600	728		1303
	1279		678		▶734	5N-2725	1271
	1283		680	5N-2605	▶756		1274
	1285	5N-1845	717		▶758		1277
	1287		724		▶760		1279
	1289		728	5N-2606	762		1281
	1292		730		764		1283
	1598		732	5N-2611	750		1285
5M-9204	1327		746		762		1287
	1329		748		764		1289
	1331	5N-1900	343		766		1292
	1333		▶344	5N-2612	756		1596
	1335	5N-1901	344		758		1598
	1337	5N-1902	344		760	5N-2728	1491
	1339	5N-1903	344	5N-2613	756		1493
5M-9205	1327	5N-1904	344		758		1499
	1329	5N-1905	344		760		1502
	1331	5N-1906	344	5N-2618	734	5N-2746	1374
	1333	5N-1907	344		742		1385
	1335	5N-1913	1252		744		1396
	1337		1254	5N-2707	1271		1398
	1339	5N-1923	1252		1274	5N-2868	701
5M-9709	174		1254		1277	5N-2885	1302
	179	5N-1925	▶1254		1279		1303
	180		1271		1281	5N-2886	1302
5N-0361	1796		1274		1283		1303
	1809		1289		1285	5N-2902	714
5N-0364	1796		1292		1287		719
	1809	5N-1939	301		1289		721
	1414		756		1292		734
5N-0367	1416		758		1596		736
	1418		760		1598		738
	1420		768	5N-2709	1271		740
5N-0375	658		1472		1274		742
	660	5N-1940	301		1277		744
	662		746		1279	5N-2904	714
	672		756		1281		719
	682		758		1283		721
5N-0376	658		760		1285		734
	660		768		1287		736
	662		1472		1289		738
5N-0408	746	5N-1941	746		1292		740
	758	5N-1943	1254		1596		742
	760	5N-1953	660		1598		744
5N-0409	672		678	5N-2710	1252	5N-3072	▶979
	682	5N-1992	897		1254	5N-3073	979
5N-0427	664	5N-2049	858	5N-2716	1271		982
	678		1506		1274	5N-3074	979
	680	5N-2126	▶1357		1277		982
5N-0429	664		1817		1279	5N-3089	858
	678		1818		1281	5N-3174	1414
	680	5N-2194	1876		1283		1416
5N-0430	676	5N-2195	1876		1285		1418
	678	5N-2196	1876		1287		1420
	680	5N-2205	656		1289	5N-3198	1271
5N-0680	1214		666		1292		1274
5N-1755	728		668		1596		1277
	730		674		1598		1279
5N-1782	1271		676	5N-2718	1271		1281
	1274		678		1274		1283
	1277		756		1277		1285
	1279	5N-2317	417		1279		1287
	1281		418		1281		1289
	1283	5N-2322	417		1283		1292
	1285		418		1285		1596
	1287		419		1287		1598
	1289	5N-2324	▶417		1289	5N-3212	▶1208
	1292	5N-2336	858		1292	5N-3273	897
	1596		1619		▶1306		899
5N-1844	664	5N-2438	▶1173		1596	5N-3283	897
	666	5N-2443	897		1598	5N-3309	901
	668		899	5N-2720	1302		904
	670	5N-2457	▶832		1303		1594
	674	5N-2458	▶830	5N-2724	1302	5N-3369	2011

PART NUMBER INDEX

Part	Page	Part	Page	Part	Page	Part	Page
5N-3370	▶2011		1287	5N-6138	1305	5N-6924	1412
5N-3615	1996		1289	5N-6141	1271	5N-6925	1412
	1998		1292		1274	5N-6942	1832
5N-4383	750		1596		1277	5N-7408	1300
	752		1598		1279		1304
	762	5N-5159	1350		1281	5N-7490	1846
	764		1353		1283	5N-7510	1412
	766		1796		1285		1414
	769		1878		1287		1416
5N-4384	762		2034		1289		1418
	764	5N-5296	1271		1292		1420
	766		1596		1596	5N-7743	52
5N-4432	868		1598		1598	5N-7759	1802
5N-4497	897	5N-5297	1271	5N-6235	591	5N-7776	561
	899		1281		593	5N-7782	1169
5N-4501	734		1283	5N-6236	575		1171
	742		1289		588	5N-7812	972
5N-4504	734		1596		590		973
	742		1598		591		973
	744	5N-5298	897		593	5N-7822	▶811
5N-4686	1828		899	5N-6237	▶543	5N-7830	800
5N-4718	1271	5N-5321	1214		575	5N-7886	858
	1274		1226		576		1506
	1277	5N-5338	▶1289		578	5N-7887	858
	1279	5N-5382	▶2100		580	5N-7928	1252
	1281	5N-5507	1998		582		1254
	1283	5N-5510	2000		584	5N-8056	1385
	1285	5N-5574	1252		586		1387
	1287		1254		588		1389
	1289	5N-5608	▶1292		590		1797
	1292		1295		591	5N-8057	1378
	1596	5N-5628	762		593	5N-8059	1376
	1598	5N-5646	1510	5N-6241	▶518		1378
5N-4722	1304	5N-5670	858		▶520		1380
	1305		1506	5N-6255	543		1382
5N-4726	1306	5N-5671	1169	5N-6268	▶521	5N-8060	1376
5N-4727	1271	5N-5735	▶1510		▶523		1378
	1274	5N-5755	1304	5N-6442	1302		1380
	1277		1305		1303		1382
	1279		▶1831	5N-6443	1277	5N-8071	1380
	1281	5N-5757	732		1279		1382
	1283		▶736		1281		1899
	1285		▶738		1283		1901
	1287		▶740		1285		1919
	1289	5N-5860	732		1287		1921
	1292	5N-5880	▶1300		▶1303		1933
	1596	5N-5886	732		1596		1935
	1598		748	5N-6449	1252		1952
5N-4728	1271	5N-5977	668		1254		1956
	1274		670	5N-6645	1876	5N-8165	▶1385
	1277		674	5N-6646	1875	5N-8166	▶1387
	1279		732		1876		▶1389
	1281		748	5N-6668	561		▶1391
	1283	5N-5978	756		563	5N-8167	▶1797
	1285		▶762		564		▶1798
	1287		▶764		565	5N-8172	1972
	1289	5N-5990	1271		566	5N-8227	1271
	1292		1274		568		1274
	1596		1277		569		1277
	1598		1281	5N-6711	1271		1279
5N-4749	1304		1285		1274		1281
	1305		1289		1277		1283
	▶1830		1292		1279		1285
5N-4806	▶1804		▶1305		1281		1287
	1806		1596		1283		1289
5N-4988	1350	5N-5991	1252		1285		1292
	1353		1254		1287		1596
5N-4990	1271	5N-5996	1169		1289		1598
	1274	5N-6050	▶1271		1292	5N-8281	▶2069
	1277	5N-6051	▶1274		1596		▶2071
	1279		1604		1598	5N-8282	▶2073
	1281	5N-6055	742	5N-6753	1583		▶2075
	1283		744	5N-6762	1385	5N-8287	1895
	1285	5N-6096	1305		1808		1896

PART NUMBER INDEX

Part	Page	Part	Page	Part	Page	Part	Page
	1897		1640		1640		736
5N-8291	▶1876		1643		1643		738
	2063		1646		1646		740
	2077	5N-8380	1635	5N-8432	1252	5N-9009	736
5N-8352 849		1643		1254		738
5N-8353 849	5N-8381	1627	5N-8458	1252		740
5N-8354	▶849		1635		1254	5N-9010	736
5N-8362	1638		1638	5N-8459	1254		738
5N-8363	1627		1640	5N-8557 858		740
	1635		1643		1506	5N-9011	736
	1637		1646	5N-8558 858	5N-9012	714
	1638	5N-8383	1627	5N-8559 858		736
	1640		1635	5N-8572 1141		738
	1643		1638		1142		740
	1646		1640		1143	5N-9013	736
5N-8364	1635		1643		▶1846		738
	1638		1646	5N-8644 52		740
5N-8365	1627	5N-8384	1635	5N-8645 52	5N-9014	714
	1635		1637	5N-8757	▶1583		736
	1638		1643	5N-8857 1363		738
	1640	5N-8385	1627		▶1791		740
	1643		1638	5N-8862 1489	5N-9015	714
	1646		1640		1499		736
5N-8366	1627		1646		1502		738
	1638	5N-8387	1627		1504		740
	1640		1635	5N-8876 1412	5N-9016	714
	1646		1637	5N-8878	▶1412		736
5N-8367	1635		1638		1843		738
	1643		1640		1845		740
5N-8368	1627		1643	5N-8941	▶1423	5N-9017	736
	1635		1646		▶1425		738
	1638	5N-8388	1627		1845		740
	1640		1635	5N-8942	▶1448	5N-9018	714
	1643		1638		1843		736
	1646		1640		1845		738
5N-8372	1627		1643	5N-8943 534		740
	1635		1646		536	5N-9019	736
	1638	5N-8389	1627		556		738
	1640		1638		558		740
	1643		1640		571	5N-9020	736
	1646		1646		797		738
5N-8373	1627	5N-8390	1627		1423		740
	1635		1636		1425	5N-9021	736
	1638		1639		1785		738
	1640		1641		1786		740
	1643		1644		1787	5N-9022	736
	1646		1647		1808		738
5N-8374	1627	5N-8403	1635		1829		740
	1635		1637	5N-8954	1619	5N-9023	736
	1638		1643	5N-8957	1400		738
	1640	5N-8418	1506		▶1786		740
	1643	5N-8424	1627		1799	5N-9024	736
	1646		1635	5N-8958	1387		738
5N-8375	1627		1638		1389		740
	1635		1640		1797	5N-9037	▶2093
	1638		1643		▶1808	5N-9038	▶2094
	1640		1646	5N-8980	1387	5N-9063	1252
	1643	5N-8425	1627		1389		1254
	1646		1635		1391	5N-9065	1448
5N-8377	1627		1637		1393		1449
	1635		1638		1394		1454
	1638		1640		1395		1455
	1640		1643		1400	5N-9066	1448
	1643		1646		1402	5N-9067	1440
	1646	5N-8427	1627		1630		1444
5N-8378	1627		1635		1633		1445
	1635		1637		▶1829		1448
	1638		1638	5N-8998	1412		1449
	1640		1640		1414		1454
	1643		1643		1416		1455
	1646		1646		1418		2051
5N-8379	1627	5N-8428	1627	5N-9006 714		2052
	1635		1635		719	5N-9068	1448
	1638		1638		721		1449

PART NUMBER INDEX

Part	Page	Part	Page	Part	Page	Part	Page
	1454		1820		1098		1968
	1455		2013		1106		1970
5N-9069	1448		2068		1114		1973
	1454	5N-9366	▶1446		1123		2001
	1455		1820		1131		2003
5N-9070	1423		1849		1145		2018
	1425		2068		1153		2022
	1449	5N-9527	▶833		1169		2026
5N-9071	1425	5N-9533	1423		1171		2029
	1448	5N-9534	1423		1182		2033
5N-9072	1440	5N-9574	1635		1185		2038
	1444		1643		1188		2041
	1445	5N-9575	1627		1234		2044
	1448		1638		1252		2047
	1449		1640		1254		2050
	1454		1646		1271	5P-0597	308
	1455	5P-0076	44		1274		440
	2051		46		1277		444
	2052		47		1279		446
5N-9073	534		48		1281	5P-0598	1524
	536		49		1283		1528
	556		348		1285		1557
	558		354		1287		1621
	571		852		1289	5P-0721	784
	797		854		1292		790
	1348		856		1302	5P-0745	1752
	1423		862		1303		1753
	1425		865		1376		1771
	1449		868		1378		1773
	1785	5P-0372	2017		1380		1775
	1786		2021		1382		1778
	1787		2025		1425	5P-0746	1806
	1808		2029		1474	5P-0747	1329
	1829		2033		1506		1331
5N-9117	1348		2038		1508		1333
	1440		2041		1509		1335
	1444		2044		1559		1337
	1445		2047		1560		1338
	1448		2050		1596		1339
	1449	5P-0537	301		1598		1341
	1454		311		1617		1806
	1455		356		1618	5P-0761	1327
	2051		428		1619	5P-0840	38
	2052		430		1630		82
5N-9164	1449		449		1633		100
	1456		575		1801		102
5N-9165	1449		576		1802		127
5N-9222	1350		578		1805		132
	1353		580		1806		135
5N-9230	1899		582		1866		137
	1901		584		1869		194
	1903		591		1893		196
	1905		780		1899		200
	1907		781		1901		204
	1909		782		1905		210
	1911		858		1907		214
	1913		897		1909		216
	1915		899		1911		218
	1918		961		1913		224
	1924		964		1915		249
	1926		979		1918		256
	1929		1002		1919		295
	1935		1007		1921		298
	1938		1010		1924		315
	1943		1012		1926		316
	1951		1014		1929		362
	1954		1016		1933		364
	1956		1018		1935		393
	1958		1048		1938		398
	1964		1058		1951		494
	1968		1065		1952		730
5N-9232	188		1072		1956		732
5N-9304	▶1845		1080		1958		748
5N-9365	▶1816		1088		1964		1958

PART NUMBER INDEX

Part	Page	Part	Page	Part	Page	Part	Page
	1960	5P-1477	1449		1822		2138
	1962		1454		1823	5P-4900	1183
	1964		1455		1824		1186
	1966	5P-1763	2149		1825		1189
	1968	5P-2203	664		1826		1192
	2130		666		1827		1194
	2138		668	5P-4116	883		1235
5P-0912	1539	5P-2251	1524		885	5P-4939	1923
5P-1075	282		1532	5P-4268	510		1928
	301		1534	5P-4295	302		1933
	323		1537		787		1935
	616		1541		1175		1948
	631		1543		1477		1956
	635		1545	5P-4318	302	5P-5421	455
	639		1547		1175		457
	656		1549		1477		460
	664		1551	5P-4571	1428		464
	666		1553		1438		467
	668		1555		1444		470
1374		5P-2321	1440		1445		473
1376			1444		1448		476
1378			1445		1449	5P-5600	974
1380			2051		1454		978
1382			2052		1456		981
1385		5P-2546	198		2051		1048
1387			200		2052		1088
1389			218	5P-4624	455		1131
1391		5P-2566	274		457	5P-5610	1374
1396			593		460		1385
1398		5P-2645	301		463		1396
1400			691		467		1398
1402			1182		470	5P-5618	1428
1476			1185		474		1444
1483			1188		476		1445
1485			1479	5P-4653	1169		2051
1487		5P-2675	1345		1171		2052
1489			1418	5P-4672	974	5P-5621	1674
1493			1420		1033		1679
1495			1875		1049		1684
1497			1876		1072		1694
1502		5P-2755	301		1080		1706
1504			871		1089	5P-5622	1450
1526			1473		1098	5P-5623	1450
1528		5P-2948	1625		1123		1625
1532		5P-3059	1438		1132		2030
1797			1444		1153		2052
1798			1449	5P-4868	440	5P-5624	1431
1799			1455		444		1450
1800			1982		446		1786
1924			1987	5P-4869	809		1787
1929			1990		813		1808
1938		5P-3418	1307	5P-4892	315		1846
1958			1313		318	5P-5675	1450
1964			1316		319	5P-5677	1431
5P-1076	658		1319		320	5P-5689	1431
	672	5P-3419	1307		322	5P-5700	348
	674		1309		348		350
	676		1313		354		352
	877		1316		455		354
5P-1175	452		1319		457		856
5P-1475	1353	5P-3422	2069		460		865
	1438		2071		463		868
	1439		2073		467	5P-5846	318
	1440		2075		470		319
	1444	5P-3426	309		474		496
	1445		1835		476		500
	1449		1839		496		503
	1454		1899		500		506
	1455		1901		503		510
	1878		1903		506		513
	2051	5P-3860	809		510		518
	2052		813		2130		520
5P-1476	1438		868		2131		523
	1878	5P-4115	1821		2136		534

PART NUMBER INDEX

Part	Page	Part	Page	Part	Page	Part	Page
	536		1087		262		693
	2131		1089		264		708
	2136		1097		268		778
5P-5855	348		1098		277		784
	354		1105		279		787
5P-5877	453		1113		280		790
5P-6008	1621		1122		281		809
	1623		1123		282		813
5P-6009	1408		1130		283		828
	1438		1132		284		833
	1449		1144		285		837
	1455		1152		286		838
5P-6025	1169		1153		287		839
	1171		1163		288		852
	1209	5P-7817	302		289		854
	1351		500		290		856
5P-6298	1561		510		302		860
	1661		2131		311		862
	1664	5P-7818	312		327		865
	1674		320		329		868
	1679		356		331		873
	1684		358		333		1201
	1689		360		335		1376
	1694		2137		336		1378
	1699	5P-7846	2050		337		1380
	1703	5P-7878	1849		338		1382
	1706		2068		339		1409
	1712	5P-7972	730		340		1410
	1716		732		341		1425
	1726		748		342		1472
	1729	5P-8026	26		358		1479
	1732		28		360		1483
	1735	5P-8065	1164		381		1485
	1738		1233		382		1489
	1754	5P-8068	348		383		1497
5P-6302	2135		354		384		1530
	2138	5P-8210	127		386		1532
5P-6859	891		132		387		1534
	893		135		388		1539
	895		137		389		1553
5P-6917	1345		310		395		1557
5P-7234	814		312		421		1607
	820		320		424		1608
	826		2137		453		1905
5P-7530	302	5P-8245	30		467		1907
	362		35		470		1909
	364		38		474		1911
	428		86		521		1913
	430		88		528		1915
	1474		90		544		1972
5P-7592	52		92		549	5P-8246	424
5P-7701	302		102		550	5P-8247	2
	684		127		551		56
	1478		129		576		58
5P-7751	1345		132		578		60
	1412		135		580		62
	1414		137		582		64
	1416		194		584		66
	1418		196		588		68
	1420		198		591		70
5P-7807	1313		200		658		83
	1316		204		660		91
	1319		208		664		92
5P-7812	985		210		666		94
	1031		214		668		96
	1033		222		670		98
	1040		224		672		196
	1047		228		674		202
	1057		240		676		204
	1064		242		678		206
	1065		245		680		208
	1071		249		682		210
	1072		253		688		212
	1079		256		691		214

PART NUMBER INDEX

Part	Page	Part	Page	Part	Page	Part	Page
	216		340		1911		245
	218		341		1913		249
	220		342		1915		256
	222		344		1918		262
	224		381		1924		264
	226		382		1926		315
	228		383		1928		2130
	283		384		1929		2138
	302		386		1931	5R-7137	196
	327		387		1935		204
	329		388		1937		208
	331		389		1938		210
	333		420		1943		214
	580		658		1945		222
	658		672		1946		224
	672		674		1950		228
	674		676		1951		240
	676		1524		1954		245
	717		1526		1956		249
	724		1528		1958		256
	746		1530		1960		262
	871		1532		1964		264
	1473		1534		1966		315
5P-8248	1564		1537	5P-9298	1363		2130
	39		1539		1364		2138
	118		1541		1499	5R-7425	▶42
	119		1543		1905	5S-0003	744
	122		1545		1913		812
	139		1547		1919		1175
	141		1549		1921		1178
	165		1551		1933	5S-0131	1327
	169		1553		1935	5S-2184	1040
	190		1555	5P-9514	1627		1048
	192		1557		1635		1058
	266		1850		1638		1088
	270	5P-8288	118		1640		1131
	272		119		1643	5S-3552	2034
	323		122		1646	5S-4245	1867
	423		139	5P-9617	1361		1870
	629		141		1522	5S-5955	664
	990	5P-8289	438		1899		678
	1850	5P-8291	323		1901		680
	1853	5P-8839	232		1903	5S-7349	1431
	1854		233		1952		1435
5P-8249	56		234		1954		1652
	58		235		1956		1655
	60		236	5P-9757	794		1764
	62		237		795		1767
	64	5P-8872	312		796	5S-7379	2145
	66		320		797	5S-7382	2145
	68		356		1269	5S-7383	623
	70		358	5P-9890	314		626
	116		360		362		889
	117		448		364	5S-9568	2149
	121		449		513	5S-9569	2149
	123		2137		530	5T-8224	658
	124	5P-8937	1520		532		672
	125		1522		534		674
	143	5P-9085	1516		2133		676
	147		1518	5P-9959	1431		
	422		1520		1436		
5P-8250	171		1522	5R-1771	30		
	181		2066		34		
	182		2081		39		
	183	5P-9287	1376		1201	6A-9204	816
	184		1378	5R-5304	196	6B-0933	310
	185		1380		204		496
	186		1382		208		503
	187		1899		210		1423
	230		1901		214		1425
	336		1903		222		1806
	337		1905		224	6B-1032	517
	338		1907		228		521
	339		1909		240	6B-1557	658

PART NUMBER INDEX

Part	Page	Part	Page	Part	Page	Part	Page
6B-1628	1621		1199		1502		34
	1623	6D-3910	561		1504	6H-8297	523
6B-1667	518		563		1630		580
	520		564		1633		588
6B-3223	52		565	6F-6045	1815		1524
6B-3685	1489		566	6F-6673	129		1526
	1491		568	6F-7063	26		1528
	1493		569		28		1530
	1497	6D-4636	784	6F-7172	772		1532
	1499		790		774		1534
	1502	6D-5801	1865	6F-7694	1815		1537
	1504		1866	6F-7699	1815		1541
6B-4540	1867		1869	6F-7701	1815		1545
6B-4542	1269		2055	6F-7702	1815		1547
	1867	6F-0253	52	6F-7731	1815		1557
6B-5072	780	6F-0496	1524	6F-7732	1499	6I-0042	5
	781		1526		1502		9
	782		1528		1504		13
	1587		1530		1815		16
	1890		1532	6F-8856	1630		▶ 876
	1891		1534		1633	6I-0046	876
	2069		1537	6H-1717	92	6I-0047	876
	2071		1539		198	6I-0325	1018
	2073		1541		242	6I-0335	72
	2075		1545		253		73
6B-6205	310		1547		302		▶ 326
	1174		1557		691	6I-0336	77
	1178	6F-0612	1271		693		78
	1182		1274		809		▶ 326
	1185		1277		813	6I-0664	1045
	1188		1279		877		▶ 1064
	1191		1281		1479		1143
	1194		1283		1905	6I-0665	1039
	1532		1285		1907		▶ 1071
6B-6765	672		1287		1909		1141
	674		1289		1911		1142
	676		1292		1913	6I-0723	348
6B-6766	672		1305		1915		354
	674		1306	6H-3609	92	6I-0724	348
	676		1596	6H-3622	1679		354
	699		1598		1689	6I-0744	534
6B-8128	30	6F-2172	561		1694		536
	34		565		1699	6I-0757	1350
	39		566		1703	6I-0850	912
	1530	6F-4718	549		1706		914
	1532	6F-4868	105		1712	6I-0897	1350
6B-9081	525		189		1720	6I-1041	▶ 1557
	580		312		1761	6I-1046	1557
	582		320	6H-3958	1271	6I-1356	165
	1526		348		1274	6I-1357	165
	1528		350		1277	6I-1418	302
	1530		352		1279		1368
	1532		354		1281		1370
	1534		356		1283		1371
	1537		358		1285		1473
	1539		360		1287	6I-1815	1875
	1541		576		1289	6I-1966	1374
	1543		580		1292		1398
	1545		582		1596		1402
	1547		584		1598		1800
	1549		591	6H-5431	1345	6I-1997	1374
	1551		2137		1412		1398
	1553	6F-5281	521		1414		1787
	1555	6F-5282	288		1416	6I-1998	1402
	1557		289		1418		▶ 1787
6B-9202	321	6F-5985	▶ 493		1420		1800
	496		1485		1804	6I-2007	937
	500		1487	6H-5829	1600		938
	503		1489		1603		942
	506		1491	6H-6698	302		943
	510		1493		691		947
6D-1998	1331		1495		1479		952
	1333		1497	6H-7062	521		953
6D-3479	1198		1499	6H-7127	30	6I-2092	714

PART NUMBER INDEX

Part	Page	Part	Page	Part	Page	Part	Page
	740		1283		242		627
	744		1285		245		631
6I-2102	913		1287		249		632
	915		1289		253		635
	937		1292		256		636
	938		1596	6K-4934	308		639
	942		1598		528		641
	943	6J-7855	1627		1423	6L-2286	616
	947		1635	6K-4935	308		617
	950		1638		528		621
	952		1640		1423		624
	953		1643	6K-9194	190		627
	955		1646		192		631
6I-2103	950	6K-0806	1198		467		632
	955		1200		470		635
6I-2933	843		1201		474		636
6I-3136	778		1203		1169		639
6I-3142	281		1425		1171		641
6I-3143	▶281		1431		1271		670
6I-3697	170		1435		1274		672
	▶175		1822		1277		674
6I-3699	170		1867		1279		676
	▶176		1871		1281		678
6I-3754	1002	6K-1694	580		1283		680
	1012	6K-1972	782		1285		682
	1014		1169		1287	6L-3401	988
	1016		1171		1289	6L-3483	1583
	1018		1374		1292	6L-3801	1252
6I-3809	405		1385		1596		1254
6I-3810	405		1387		1598	6L-3961	50
6I-3842	1031		1389	6K-9591	1348	6L-3964	50
	1033		1391		1351	6L-3967	50
	1065		1394		1414	6L-3972	50
	1072		1395		1416	6L-4207	1365
	▶1256		1396		1418	6L-4249	1035
6I-3844	1031		1398		1420	6L-4382	656
	1033		1400	6L-1595	616	6L-4502	▶2118
	1065		1402		631	6L-5151	52
	1072		1483		635	6L-5295	584
6I-3846	1031		1485		639		586
	1033		1487	6L-1596	1252	6L-5699	1485
	1065		1489		1254	6L-5855	1414
	1072		1491	6L-1694	2132		1416
6I-3847	1031		1493		2133		1418
	1033		1495	6L-1883	31		1420
	1847		1497		35	6L-7159	1348
6I-4348	176		1499		38	6L-7349	1499
6I-4488	494		1502	6L-2077	2069	6L-8150	1414
6J-0468	1958		1504		2071		1416
	1960		1510	6L-2078	2069		1418
	1962		1630		2071		1420
	1964		1633	6L-2113	1040	6L-8562	876
	1966		1893		1048		877
	1968	6K-3771	196		1058	6L-9872	1996
6J-2244	986		202		1088		1998
	988		204		1131	6M-7476	1004
6J-2245	298		220	6L-2279	621		1018
	302		222		624	6M-9613	283
	362		224		627		284
	364		238		728		286
	428		240		730		287
	430		260	6L-2280	717		290
	1474		262		724	6N-0265	891
6J-2419	1168		264		728		893
6J-2680	302	6K-3772	198		730		895
	691		200		732	6N-0775	977
	693		206		748	6N-1604	1468
	1479		208	6L-2282	621	6N-1856	1313
	2138		210		624		1316
6J-2819	1271		212		627		1319
	1274		214	6L-2284	616	6N-1870	1313
	1277		216		617		1316
	1279		218		621		1319
	1281		228		624	6N-1871	1313

PART NUMBER INDEX

Part	Page	Part	Page	Part	Page	Part	Page
	1316		1723		31		1729
	1319		1727		34		1732
6N-1872	1313		1730		35		1735
	1316		1733		38		1738
	1319		1736		513	6T-0372	1561
6N-1873	1313		1739		515		1658
	1316		1741		1975		1661
6N-1875	1313	6N-3504	1271		1976		1664
	1316		1274	6N-8863	1297		1674
	1319		1277		1298		1679
6N-1876	1313		1279	6N-9042	30		1684
	1316		1281		34		1689
	1319		1283		38		1694
6N-1877	1319		1285	6N-9312	762		1699
6N-1889	▶ 1715		1287	6N-9313	772		1703
6N-1925	1313		1289	6N-9349	1805		1706
	1316		1292	6N-9587	1374		1712
	1319		1596		1385		1720
6N-1944	1313		1598		1396		1723
	1316	6N-3826	1652		1398		1726
	1319		1655	6N-9908	912		1729
6N-1945	1307		1658		932		1732
	1313		1661	6N-9910	914		1735
	1316		1664		916		1738
6N-1946	1313		1667		917	6T-0453	1867
	1316		1675	6N-9995	1625		1870
	1319		1680	6S-4302	1806	6T-0594	1754
6N-1968	1313		1685	6S-5992	1516	6T-0621	1716
	1316		1690		1518		1754
	1319		1695		1520	6T-0622	1716
6N-2184	1511		1703		1522		1754
	1514		1713	6T-0362	1609	6T-0623	1716
6N-2185	1511		1720		1611		1754
	1514		1726		1612	6T-0624	1716
6N-2188	1511		1729		1615		1754
	1514		1738		1724	6T-0625	1716
6N-2190	1511		1741		1727		1755
	1514		1762		1730	6T-0626	1716
6N-2191	1511		1764	6T-0363	1561		1754
	1514		1767		1658	6T-0627	1716
6N-2192	1511	6N-4379	1931		1661		1754
	1514		1940		1664	6T-0628	1716
6N-2193	1511		1946		1674		1755
	1514		1960		1679	6T-0631	1716
6N-3169	1491		1962		1684		1754
	1493		1966		1689	6T-0632	1716
	1499	6N-4414	1002		1694		1754
	1502		1007		1699	6T-0634	1716
6N-3170	1385		1010		1703		1754
	1402		1012		1706	6T-0635	1754
	1491		1014		1712	6T-0636	1754
	1493		1016		1720	6T-0637	1755
	1497		1018		1723	6T-0638	1754
	1499	6N-4857	828		1726	6T-0639	1754
	1502	6N-5004	818		1729	6T-0640	1711
	1504		824		1732		▶ 1716
	2007	6N-5475	772		1735	6T-0645	1716
	2009		774		1738		1754
	2081	6N-5476	772	6T-0371	1561	6T-0647	▶ 1719
6N-3279	1659		774		1658		▶ 1720
	1661	6N-5595	563		1661		1770
	1664		564		1664	6T-1119	1609
	1667		568		1674		1611
	1670		569		1679	6T-1120	1609
	1675	6N-7959	932		1684		1611
	1680		933		1689		1612
	1685	6N-7960	▶ 824		1694		1615
	1689		932		1699		1733
	1694		933		1703		1739
	1699	6N-7962	818		1706	6T-1121	1609
	1704		824		1712	6T-1124	1612
	1707	6N-8659	1630		1720		1615
	1712		1633		1723		1724
	1721	6N-8744	30		1726		1727

PART NUMBER INDEX

Part	Page	Part	Page	Part	Page	Part	Page
	1730		1774		1479		214
6T-1546	1353	6V-0511	▶1732		2129		216
6T-3631	1620		▶1735		2130		218
	1621		1776		2135		224
	1623		1780		2136		249
	1792	6V-0740	1304		2138		256
	1793		1305	6V-1581	308		264
	1814	6V-0884	1716		574		302
	1866		1754	6V-1582	308		314
	1867	6V-0890	▶1738		574		315
	1869	6V-0895	1242	6V-1612	307		318
	1870		1244		873		320
	2054	6V-0927	▶1741	6V-1867	309		768
6T-3632	1620		1771		693		986
	1621	6V-0973	350	6V-1868	309		988
	1623		352		693		1472
	1792		447	6V-1903	302		2130
	1793		448		684		2132
	1814		449		1478		2137
	1866	6V-1240	1378	6V-2369	1449		2138
	1867		1382	6V-2384	664	6V-3349	454
	1869	6V-1250	1167		668	6V-3507	1894
	1870		1214		670		2065
	2054		1217		678		2071
6T-3633	1620		1219		680		2075
	1621		1220	6V-2673	1350	6V-3537	366
	1623		1221		1353		368
	1792		1222	6V-2686	1621	6V-3767	18
	1793		1223		1623	6V-3769	18
	1814		1224		1975	6V-3770	7
	1866		1226		1976	6V-3772	6
	1867		1228	6V-2687	2035		17
	1869		1230	6V-2689	1870	6V-3773	17
	1870		1231	6V-2695	856	6V-3774	7
	2054		1232		865		10
6T-3642	1351		1233		868		14
	1353		2139	6V-2722	1408		18
6T-3644	1350	6V-1322	1658	6V-2744	1449	6V-3775	18
	1353		1661	6V-2751	907	6V-3776	6
	1355		1664		908		18
	1794		1667		909	6V-3777	6
6T-3645	1356		1670		924		18
6T-3646	1412		1674		925	6V-3778	18
6T-3701	1614		1684		929	6V-3781	7
6T-4006	1404		1723		931		18
6T-4007	1353		1726		934	6V-3782	18
6T-4751	1619		1729	6V-3279	961	6V-3783	6
6T-6651	1350		1733		964		10
	1353		1735	6V-3319	313		13
6T-7034	523		1738		362		17
	536		1741		364	6V-3822	701
6V-0267	457	6V-1394	1627		844	6V-3907	320
	476		1635		854		322
	496		1638		862		455
	500		1640		2133		457
	503		1643	6V-3348	82		460
	506		1646		100		463
	510	6V-1454	302		102		467
6V-0268	457		315		126		470
	476		320		127		474
	496		322		129		476
	500		362		132		2131
	503		364		135	6V-3908	318
	506		643		137		319
	510		645		139		496
6V-0301	302		652		141		500
	684		654		143		503
	1478		688		144		506
6V-0387	24		784		145		510
6V-0405	102		787		147		2129
6V-0491	1438		790		194		2134
6V-0500	▶1723		803		200		2136
6V-0501	▶1726		805		204	6V-3916	1627
6V-0508	▶1729		807		210		1635

PART NUMBER INDEX

Part	Page	Part	Page	Part	Page	Part	Page
	1638		352		974	6V-5049	1002
	1640		354		978		1004
	1643	6V-4320	1744		981		1007
	1646		▶1745		984		1010
6V-3917	313	6V-4362	1188		985		1012
	362		1235		986		1014
	364		1237		988		1016
	844		1239		1002		1018
	852	6V-4363	1174		1004		1021
	854		1178		1007		1023
	862		1182		1010		1025
	2133		1185		1012		1237
6V-3935	1627		1188		1014		1239
	1635		1191		1016	6V-5050	302
	1638		1195		1018		684
	1640	6V-4368	312		1021		1478
	1643		496		1025	6V-5054	302
	1646		503		1031		860
6V-3937	1638		506		1033		1472
	1640	6V-4501	1630		1047	6V-5055	911
	1646		1633		1048	6V-5066	302
6V-3938	1627	6V-4589	302		1064		315
	1635		322		1071		318
	1638		362		1079		319
	1640		364		1087		320
	1643		497		1088		322
	1646		501		1097		362
6V-3939	1635		503		1122		364
	1638		506		1130		654
	1640		510		1131		688
	1643		526		1145		708
	1646		530		1152		1479
6V-3940	1627		532		1201		2129
	1635		1002		1204		2130
	1637		1004		1361		2131
	1638		1014		1477		2134
	1640		1018		1522		2135
	1643		1267		1587		2136
	1646		1304		1835		2138
6V-3941	1627		1305		1839	6V-5100	513
	1638		1474		1899		534
	1640		1477		1901		536
	1646		2133		1903	6V-5101	295
6V-3959	1627	6V-4605	302		1919		298
	1635		871		1921		302
	1638		1473		1923		312
	1640	6V-4606	302		1924		316
	1646		871		1926		320
6V-3971	1627		1473		1928		345
	1635	6V-5016	1815		1929		347
	1638	6V-5029	1305		1931		348
	1640	6V-5044	883		1933		352
	1643	6V-5048	302		1935		354
	1646		310		1940		356
6V-4155	1658		318		1941		358
6V-4245	782		319		1943		360
6V-4246	▶1744		320		1945		362
	1751		322		1948		364
	1753		362		1952		846
6V-4248	302		364		1954		854
	910		455		1956		860
	911		457		1958		862
	1480		460		1960		868
6V-4314	103		463		1962		1472
	105		467		1964		2129
	312		470		1966		2134
	348		474		1968		2137
	350		476		2012	6V-5103	302
	352		497		2013		846
	354		500		2015		860
	356		503		2016		1472
	447		506		2131	6V-5134	302
6V-4315	348		510		2136		526
	350		603		2138		528

PART NUMBER INDEX

Part	Page	Part	Page	Part	Page	Part	Page
	1474	6V-6809	315		1304		1355
6V-5136	1850		362		1307		1362
6V-5167	313		364		1309		1625
	362		710		1311		1794
	364		712		1313		1801
	844		778		1316		1802
	852		784		1319		1803
	854		790	6V-8188	586		1805
	862		2129		593		1890
	2133		2130		1611		1891
6V-5182	2030		2135		1652		2017
	2039		2136		1655		2021
	2042		2138		1658		2025
	2045	6V-6939	660		1662		2029
	2048		662		1665		2034
	2051	6V-6940	670		1668		2048
6V-5218	699		678		1671		2051
6V-5496	18		680		1674		2069
6V-5504	852		682		1675		2071
	856	6V-6941	660		1684		2073
	865		662		1724		2075
6V-5539	▶1746	6V-7196	34		1727	6V-8377	1618
6V-5540	1746		327		1730		1801
	▶1747		329		1733		1802
6V-5582	1746	6V-7351	104		1736		1803
	▶1748	6V-7646	782		1739		1805
6V-5683	816		1907		1742		1894
6V-5734	1850		1915		1748		2095
6V-5817	1448		2034		1764		2096
	1449	6V-7681	550		1767	6V-8378	1356
	1454		2130		1782		1679
	1455	6V-7991	172	6V-8189	799		1706
	1456		173	6V-8252	1630		1713
6V-5818	1448		175		1633		1721
	1454		176	6V-8260	196		1864
	1455		177		204		1867
6V-5819	1448		178		210		1869
	1449		179		214	6V-8382	1867
	1454		180		216		1871
	1455	6V-8001	320		218		2034
6V-5947	6		322		224		2054
	18		455		315	6V-8398	719
6V-5949	6		460		986		721
	18		463		988	6V-8626	309
6V-5950	6		468		2130		528
6V-5998	18		470	6V-8287	772	6V-8650	1850
6V-6228	43		474		774	6V-8716	309
	302		476	6V-8363	1351		697
	362	6V-8002	457		1625	6V-8791	310
	364		468	6V-8365	1412		697
	1474		471	6V-8367	1867	6V-8801	617
6V-6353	816		474		1871		623
6V-6428	10		2131		2034		626
	14	6V-8139	974		2054		627
6V-6429	7		1048	6V-8368	1894		632
6V-6431	6		1088	6V-8370	1625		636
	10		1131	6V-8373	1611		641
	14	6V-8172	30		1615		778
6V-6609	302	6V-8182	614		1615		778
	318		615		1733		889
	319		617		1739		2081
	605		632	6V-8374	1620	6V-8823	474
	607		636		1621	6V-8906	6
	686		641		1623		17
	688	6V-8185	1348		1792	6V-9007	309
	708		1418		1793		697
	1478		1420		1814	6V-9027	302
	2131		1803		1866		320
	2136		1803		1867		322
6V-6703	1406	6V-8186	1801		1869		362
6V-6758	309		1802		1870		364
	528		1803		2054		650
6V-6759	309		1805	6V-8376	1350		654
	528	6V-8187	1300		1351		686
					1353		801

PART NUMBER INDEX

Part	Page	Part	Page	Part	Page	Part	Page
	1475		1376		1140		2038
	1478		1378		1141		2041
6V-9029	672		1380	7C-0182	▶1820		2044
	674		1382	7C-0189	▶1520		2047
	676		1618	7C-0204	432		2050
	699		1905		434	7C-1505	▶1359
	700		1907	7C-0234	34	7C-1506	▶1360
6V-9170	309		1909	7C-0240	▶1404	7C-1707	1524
	528		1911	7C-0285	▶2077		1526
6V-9178	1168		1913		2081		1528
6V-9350	310		1915	7C-0286	▶2079		1530
	528		1918		2083		1532
6V-9673	1757		1931	7C-0287	▶2081		1534
	1759		1940	7C-0288	▶2083		1537
6V-9746	310		1946	7C-0289	▶2012		1539
	697		1960		▶2013		1541
6V-9769	295		1966	7C-0290	▶2015		1543
	298		1970		▶2016		1545
	316		1973	7C-0292	▶1896		1547
	362	7B-3235	186	7C-0295	2012		1549
	364		187		2015		1551
	686		327	7C-0296	2012		1553
	710		329		2015		1555
	712		331	7C-0305	961		1557
6V-9832	308		333	7C-0330	▶1393	7C-1882	▶1454
6V-9839	310		358		1394		1843
	697		360		1395	7C-2087	▶1007
6V-9853	309	7B-3395	701	7C-0331	▶1809	7C-2199	301
	697	7B-7714	1277	7C-0332	1809		1185
6V-9854	1543		1279	7C-0333	1809		1191
	1549		1292	7C-0340	1168		1474
	1553	7B-8057	701	7C-0341	1221		1477
	1555	7B-8167	1302	7C-0344	1168	7C-2233	9
6V-9874	309		1303	7C-0345	1219		17
	697		1559	7C-0504	▶329		▶1220
6V-9897	7		1560	7C-0526	▶1750	7C-2238	1168
	10		2001		▶1751	7C-2239	1220
	14		2003	7C-0527	▶1752	7C-2377	432
	18	7C-0077	1033		▶1753		436
	▶2139		1072	7C-0549	1996	7C-2431	372
6V-9995	323		1080		1998	7C-2450	329
6W-2928	308		1088	7C-0580	▶929		331
	528		1098		930	7C-2615	1219
	1539		1123		936		1220
	1553		1153		937		1221
	2012	7C-0078	1058	7C-0581	907		1222
	2015		1065		929		1226
6W-6672	523		1072	7C-0635	▶930		1228
	1425		1080	7C-0667	47		1230
	1835		1088	7C-0668	47		1232
	1839		1098	7C-0670	47	7C-2850	1039
			1106	7C-0672	47		▶1097
			1114	7C-0813	1915		1140
			1123	7C-0814	1918		1141
			1145	7C-0877	1217		1142
			1153	7C-0878	1217	7C-2870	1242
7B-1597	1169		1153	7C-0972	1996		1244
	1171	7C-0080	970		1998	7C-2945	1996
7B-2742	575		1058	7C-0973	1977	7C-2946	1483
	576		1089		1978		1485
	578	7C-0081	1057	7C-0974	2018		1487
	580		1079		2022		1489
	582		1087		2026	7C-2954	2034
	584		1097		2030		2091
	591		1105		2038	7C-2972	850
	858		1113		2041	7C-2976	▶850
	1002		1144		2044	7C-3003	1217
	1007		1152		2047	7C-3004	1217
	1010	7C-0082	970		2050	7C-3005	1217
	1012		1058	7C-1009	2018	7C-3015	1217
	1014		1089		2022	7C-3016	1217
	1016	7C-0083	1039		2026	7C-3017	1217
	1018		▶1079		2030	7C-3018	1065
	1234		1142		2034		1072
		7C-0084	▶1087				

7

PART NUMBER INDEX

Part	Page	Part	Page	Part	Page	Part	Page
	1079		1071	7C-4422	454	7C-7678	1174
	1097		1079	7C-4423	454		1178
	1105		1097	7C-4429	1511		1191
	1113		1105		1514		1192
	1122		1113	7C-4431	1122		1194
	1144		1122	7C-4550	1160	7C-7682	1174
	1152		1144		2017		1178
7C-3023	1045		1152		2021		1191
	▶1105	7C-3986	1250		2025		1194
	1143	7C-3988	1065		2029	7C-7683	1174
7C-3036	1185		1072		2033		1178
	1191		1080		2038		1191
	1235		1098		2041		1194
7C-3258	196		1106		2044	7C-7808	394
	204		1114		2047		395
	208		1123		2050		396
	210		1145		2091		407
	214		1153	7C-4714	448		409
	222	7C-3998	▶970	7C-4715	356		411
	224		1079		358		413
	228		1097		360		415
	240		1105	7C-4716	356	7C-7909	302
	245		1113		449		846
	249	7C-3999	▶981	7C-4910	1867		860
	256		1079		1870		1472
	262		1097		2091	7C-7910	302
	264		1122	7C-5015	494		846
7C-3259	204		1152	7C-5029	▶1350		860
	214	7C-4000	970		1602		1472
	228	7C-4032	228		1605	7C-8053	▶72
	240	7C-4062	2000	7C-5075	2034	7C-8054	▶73
	256	7C-4065	2063		2091	7C-8055	▶75
7C-3260	196		2077	7C-5076	2034	7C-8199	302
	208	7C-4066	2063		2091		846
	210		2077	7C-5105	1483		860
	222	7C-4113	▶194		1485		1472
	224	7C-4127	▶1897		1487	7C-8390	454
	245	7C-4128	494		1489	7C-8460	▶77
	249	7C-4130	494		1493	7C-8461	▶78
	262	7C-4164	226		1495	7C-8468	72
	264	7C-4165	34		1497		75
7C-3371	▶1642		38		1504	7C-8469	▶80
7C-3372	1642		194	7C-5230	654	7C-8565	▶699
	▶1643		200	7C-5275	1594	7C-8603	1191
7C-3373	▶1645		245		▶1602	7C-8604	1191
7C-3374	1645		249	7C-5276	▶1594	7C-8689	1862
	▶1646		256	7C-5485	454	7C-8692	1863
7C-3493	742		393	7C-5681	1045	7C-8917	1123
	744		397		▶1113		1145
7C-3614	730		398		1143		1153
	▶742	7C-4262	1064	7C-6121	2017	7C-8918	1123
	▶744		1072		2021		1145
7C-3764	6		1097		2025		1153
	13		1113		2029	7C-8919	1123
	▶1221		1122		2033		1145
7C-3898	1485		1144	7C-6209	112		1153
	1489		1152		113	7C-9070	▶1947
7C-3900	1031	7C-4350	▶494		114	7C-9075	▶1862
	1033	7C-4354	1526	7C-6217	166	7C-9077	▶1863
	1065		1528	7C-6366	▶479	7C-9112	699
	1072		1534	7C-6708	933	7C-9113	701
	1080		1539	7C-6752	▶345	7C-9114	668
	1098		1553	7C-6956	▶122	7C-9117	656
	1105	7C-4370	1996		144	7C-9119	664
	1113		1998	7C-6957	▶144	7C-9130	1991
	1123	7C-4371	1559		▶145	7C-9179	2017
	1144	7C-4378	2000	7C-7446	824		2038
	1153	7C-4382	1485	7C-7447	824	7C-9217	496
7C-3982	1080		1489	7C-7520	701		500
	1098	7C-4415	454	7C-7677	1174		503
	1106	7C-4416	454		1178		506
	1114	7C-4417	454		1191	7C-9242	▶664
	▶1250	7C-4420	454		1192	7C-9243	▶666
7C-3985	1064	7C-4421	454		1194	7C-9244	▶668

PART NUMBER INDEX

Part	Page	Part	Page	Part	Page	Part	Page
7C-9245	▶656		329	7E-2891	895		▶1163
7C-9328	▶700		331	7E-2909	302	7E-5562	1064
7C-9329	▶701		333		526		1071
7C-9365	1361	7E-0015	302		1474		1163
	1364		1479	7E-2910	302	7E-5563	1064
	▶1811	7E-0274	208		526		1071
7C-9576	▶1168		222		1474		1163
7C-9577	▶1168		245	7E-2940	937	7E-5842	▶1361
7C-9578	▶1168		262		938		1594
7C-9597	302	7E-0275	196		942	7E-5859	▶153
	690		208		943	7E-5861	▶154
	693		210		947		167
	1479		222		950	7E-5862	154
7C-9600	1560		224		952	7E-5910	2118
	2003		245		953	7E-6016	320
7C-9639	170		249	7E-2943	937		609
	▶177		262		938		610
	340		264		942	7E-6017	609
	387	7E-0359	816		943		610
7C-9641	170	7E-0360	816		947	7E-6247	▶1469
	▶178	7E-0467	479		952		▶1470
	183		480		953	7E-6369	308
7C-9642	1064	7E-0854	187	7E-3127	1359		496
	1071	7E-0907	1065	7E-3156	▶2095	7E-6466	650
	1144		1072	7E-3159	▶2096	7E-6468	▶571
7C-9688	175		1123	7E-3381	1232	7E-6469	▶1522
	176	7E-0909	1122	7E-3382	1228	7E-6508	302
	177	7E-0915	1064	7E-3449	1064		428
	178		1071		1071		430
7C-9689	175		1122		1122		1475
	176	7E-0924	1064		295	7E-6513	428
	177		1071	7E-3772	298		1447
	178		1122		316	7E-6815	49
7C-9784	4	7E-1078	302		432	7E-6818	49
	8		526		436	7E-6872	20
	12		1474	7E-3894	270		22
	15	7E-1079	302	7E-3897	268		▶323
	20		526		270	7E-7395	▶904
	22		1474		272	7E-7400	75
	▶480	7E-1234	1979	7E-3921	1174		80
7C-9786	480		▶1989		1178	7E-7401	72
7C-9791	1168	7E-1456	302		1191		73
7C-9795	1168		684		1195		75
7C-9856	▶525		1478	7E-4127	295		80
7C-9938	6	7E-1457	▶1121	7E-4201	111	7E-7402	77
	9	7E-1754	362	7E-4537	1039		78
	13		364		▶1122	7E-7410	72
	17		876		1140		75
	20		877		1141	7E-7411	73
	22	7E-2326	302		1142		80
	▶347		860	7E-4609	167	7E-7412	77
7D-1649	778		1472	7E-4650	778	7E-7414	78
	876	7E-2580	302	7E-4663	147	7E-7423	77
	1862		1211	7E-4664	▶147		78
	1863		1212	7E-4725	111	7E-7424	72
7D-4092	1532		1216	7E-4770	111		73
7D-4493	799		1480	7E-4836	▶331		75
7D-4903	1004	7E-2627	▶702		▶333		80
	1018	7E-2630	312	7E-4838	331	7E-7425	77
			320		333		78
7D-5037	1806		345	7E-4839	331	7E-7426	72
7D-5473	1374		347		333		73
	1391		348	7E-4840	331		75
	1398		350		333		80
	1402		352	7E-4841	331	7E-7428	75
	1798		354	7E-4848	1122		80
	1800		2137	7E-4879	778	7E-7429	72
7D-6922	1345	7E-2681	2118	7E-4897	▶111		73
	1416	7E-2747	816	7E-4940	▶123		75
7D-7233	1532	7E-2865	145		135		77
7D-7509	851		147	7E-5322	49		78
7D-8793	467		▶2140	7E-5324	1		80
	470		2140		266	7E-7431	78
	474	7E-2866	2140		1122	7E-7432	73
7D-9766	327	7E-2889	895	7E-5416			

PART NUMBER INDEX

Part	Page	Part	Page	Part	Page	Part	Page
	80	7E-8926	24		1699		389
7E-7434	77	7E-8948	1039		1703	7F-8897	52
	78		1140		1707	7F-9504	294
7E-7435	72		1141		1712	7G-1239	447
	73		1142		1720		448
	75	7E-8949	1045		1723		449
	80		1143		1726	7G-5984	309
7E-7436	72	7E-8960	1350		1729	7G-5985	309
	73	7E-8973	302		1732	7G-7906	1719
7E-7463	78		684		1738		▶1754
7E-7464	78		1478		1761	7G-7920	1432
7E-7465	78	7E-9252	22	7F-3494	1679		1436
7E-7469	77		▶506		1680	7G-8478	770
7E-7470	77	7E-9437	1524		1689		774
	78	7E-9534	978		1694	7G-8765	1829
7E-7472	75	7E-9780	750		1695	7G-9730	2034
	80		766		1699		2054
7E-7473	72	7E-9781	758		1703	7H-3171	126
	73		▶766		1706		129
	75	7F-0192	455		1707		132
	77		458		1712		139
	78		460		1720		141
	80		463	7F-3525	1561		143
7E-7474	73		467		1658		144
	80		470		1661		145
7E-7475	73		474		1664		147
	80		476		1674	7H-9678	1027
7E-7476	73		1002		1679	7H-9899	990
	80		1004		1684		992
7E-7477	75		1007		1689	7J-0204	726
	80		1010		1694		1874
7E-7478	75		1014		1699	7J-0728	1534
	80		1021		1703		1537
7E-7479	75		1025		1706		1539
	80	7F-1866	539		1712		1541
7E-7480	75		541		1720		1543
	80		545		1723		1545
7E-7481	75		547		1726		1547
	80	7F-2060	302		1729		1549
7E-7482	75		526		1732		1551
	80		1474		1735		1553
7E-7483	75	7F-2836	734		1738		1555
	80		736		1761	7J-0729	1534
7E-7484	72		738	7F-5634	994		1537
	75		742		996		1539
7E-7497	78	7F-3425	654		998		1541
7E-7499	77	7F-3488	1658		1000		1543
	78		1662	7F-6547	24		1545
7E-7501	72		1665	7F-6923	1815		1547
	73		1667	7F-7621	1313		1549
	75		1670		1319		1551
	80		1674	7F-7622	1804		1553
7E-7503	75		1679	7F-8501	1209		1555
	80		1684	7F-8671	1627	7J-8114	194
7E-7576	1806		1689		1635		198
7E-7647	20		1694		1638		200
	22		1699		1640		242
	▶196		1703		1643		245
7E-7731	782		1706		1646		249
	1348		1712	7F-8698	302		253
7E-7848	1990		1720		1211		256
7E-7933	649		1724		1212		315
7E-7950	302		1727		1214		2130
	1368		1730		1216		2138
	1473		1733		1222	7J-8611	1398
7E-8516	907		1736		1226		1630
	908		1739		1480		1633
	909		1741	7F-8896	381	7J-8902	1750
7E-8550	854	7F-3491	1658		382		1751
	862		1674		383		1752
7E-8721	1952		1679		384		1753
7E-8722	1952		1684		386		1770
7E-8779	270		1689		387		1771
7E-8923	24		1694		388		1772

PART NUMBER INDEX

Part	Page	Part	Page	Part	Page	Part	Page
	1773		1203		705		1739
	1774		1204		844		1741
	1775		1516		2133	7M-0326	1658
	1776		1518	7L-5219	552		1661
	1777		1520		554		1664
	1778		1522	7L-5727	1269		1667
	1779		1630	7L-5887	1752		1670
	1780		1633		1753		1674
	1781		1899		1770		1679
7J-9108	1830		1901		1771		1684
	1831		1903		1772		1689
7K-1181	302		1926		1773		1694
	310		1931		1774		1699
	1477		1940		1775		1703
	1543		1946		1776		1706
	1549		1960		1777		1712
	1551		1962		1778		1720
	1553		1966	7L-6443	302		1723
	1555		1968		871		1726
	1835		2007		873		1729
	1839		2009		1473		1732
	1848		2081	7L-7871	▶ 1335		1735
	1931	7L-0486	621		▶ 1337		1738
	1940		624		▶ 1338		1741
	1946		627	7L-7872	▶ 1339	7M-0327	1658
	1960	7L-0487	621		▶ 1341		1661
	1962		624	7L-8074	1524		1664
	1966		627		1530		1667
7K-1308	1972	7L-0688	1350		1532		1670
7K-1401	666		1354		1534		1674
	682	7L-0811	513		1539		1679
7K-1402	666		534	7L-8316	1269		1684
	682		536		1600		1689
7K-3215	812	7L-2224	1300		1603		1694
	1871	7L-2894	1652	7L-9061	794		1699
	1926		1655		795		1703
	1968		1658		796		1706
7K-3377	302		1661		797		1712
	684		1664	7M-0324	1658		1720
	1175		1667		1662		1723
	1178		1670		1665		1726
	1183		1674		1667		1729
	1186		1675		1670		1732
	1189		1679		1674		1735
	1192		1680		1679		1738
	1194		1684		1684		1741
	1239		1685		1689	7M-0336	1680
	1478		1689		1694		1690
	1524		1690		1712		1695
	1526		1694		1720		1700
	1528		1695		1727		1704
	1809		1699		1730		1707
	1962		1700		1739		1713
	1966		1703		1741		1721
7K-4128	1271		1706	7M-0325	1658		1762
	1274		1707		1662	7M-1808	320
	1277		1712		1665		496
	1279		1720		1667		500
	1281		1723		1670		503
	1283		1726		1674		506
	1285		1729		1679		510
	1287		1732		1684	7M-4824	1716
	1289		1735		1689		1754
	1292		1738		1694	7M-7193	1306
	1596		1741		1699	7M-7219	1028
	1598		1761		1703		1029
7K-4129	1169		1762		1706		1030
	1171		1764		1712		1306
	1508		1767		1720	7M-7273	918
	1509	7L-4447	452		1724		919
7K-6536	1416	7L-4773	362		1727		927
7K-9197	1198		364		1730		930
	1199		684		1733		935
	1200		703		1736		936

PART NUMBER INDEX

Part	Page	Part	Page	Part	Page	Part	Page
	937		168		545		374
	938	7N-1831	699		547		376
	941		700		603		378
	942		702	7N-2044	127	7N-2539	1200
	943	7N-1854	6		129		1489
	944		9		132		1504
	946		13		135		1899
	947		17		137		1901
	948		▶404	7N-2046	116		1919
	949	7N-1855	4		118		1921
	951		8		119		1933
	952		12		120		1935
	954		▶110		123		1952
7M-8485	310	7N-1858	6		124		1956
	697		17		2141	7N-2597	275
	1459		▶438	7N-2047	127		327
	1460	7N-1863	▶424		129		329
	1461	7N-1875	4		132		331
	1462		8		135		333
	1463		12		137	7N-3049	284
	1464		15		196		285
	1465		22		202		286
	1466		▶452		204		287
	1467	7N-1877	4		206		288
7M-8651	1658		8		208		289
	1662		15		210		290
	1665		▶612		212		291
	1667	7N-1896	▶1362		214		292
	1670	7N-1899	169		220		293
	1674	7N-1901	169		222		294
	1679	7N-1902	153		224		315
	1684		166		228		2130
	1689		167		238		2132
	1694		168		240		2138
	1699	7N-1903	166		242	7N-3194	824
	1703		167		245	7N-3216	44
	1706		168		249		46
	1712	7N-1904	166		253		47
	1720		167		256		48
	1724		168		260		49
	1727	7N-1961	155		262	7N-3218	44
	1730		159		264		47
	1733		165		285		48
	1736		169		288		49
	1739	7N-2003	111		289	7N-3297	302
	1741		112		961		686
7M-9909	321		113		964		710
	322		114	7N-2048	126		712
	803	7N-2038	129		129		1478
	805	7N-2042	118		132	7N-3298	86
	807		139		135		88
7M-9918	908	7N-2043	174		137		90
	909		177		139	7N-3368	303
	916		178		141		314
	917		179		143		315
	924		180		144		318
	925		190		145		319
	929		192		147		362
	931		366	7N-2049	129		364
	932		368		132		686
	933		370		135		703
	934		372		137		705
7N-0036	566		374	7N-2059	1623		710
7N-0060	1329		376		1625		712
	1331		378	7N-2326	323		844
	1333		455		324		1478
	1335		457	7N-2328	323		2132
	1337		460		324		2133
	1338		463	7N-2393	378		2138
	1342		470	7N-2394	378	7N-3413	438
7N-0140	1625		473	7N-2405	366	7N-3421	436
7N-0296	1625		476		368	7N-3667	992
7N-1628	1027		539		370	7N-3759	818
7N-1819	166		541		372		824

PART NUMBER INDEX

Part	Page	Part	Page	Part	Page	Part	Page
7N-4076	190		904		2136	7N-5241	206
	192		1594		2137		220
	990	7N-4896	856	7N-4951	82		242
	992		865		100		260
7N-4106	▶391		868		102	7N-5243	206
7N-4319	91	7N-4897	856	7N-4952	82		208
	92		865		100		220
	94		868		102		222
	96	7N-4927	320	7N-4956	612		242
	98		322	7N-5014	232		245
7N-4320	91		646	7N-5049	539		260
	92		647		541		262
	94		648		545	7N-5244	30
	96		649		547		34
	98		650	7N-5057	539		198
	190		778		541		212
	192		784		545		226
	314		787		547		228
	318		790		2129		238
	319		2129		2134		242
	990	7N-4932	315	7N-5079	852		253
	992		605		856		762
	2132		607		865		764
7N-4756	770		688	7N-5080	295	7N-5245	238
	772		706		298		240
	774		708		303		242
7N-4758	651		2129		316		245
	726		2134		362		249
	770		2135		364		253
	772		2136		846		256
	774		2138		852		260
7N-4782	303	7N-4939	706		854		262
	321		708		856		264
	322	7N-4940	308		860	7N-5246	238
	428		706		862		240
	430		708		865		242
	432	7N-4941	688		868		245
	434		706		1472		249
	436		708	7N-5085	852		253
	438	7N-4944	688		854		256
	1475		706		856		260
7N-4851	4		708		862		262
	8	7N-4945	30		865		264
	12		35		868	7N-5248	198
	15		38	7N-5089	295		200
	20		86		298		216
	22		88		316		218
	▶232		90		362		242
	▶233		312		364		245
7N-4852	▶96		318		852		249
7N-4867	▶998		319		854		253
	1140		320		856		256
	1142		688		862	7N-5250	206
	1143		706		865		220
7N-4869	6		708		868		242
	9		1524	7N-5120	607		260
	13		1526		784	7N-5253	206
	17		1528		787		220
	▶1298		1530		790		242
7N-4871	4		1532	7N-5123	784		260
	8		1534		787	7N-5254	268
	12		1537		790		270
	15		1539	7N-5127	787		272
	▶198		1541		790	7N-5257	268
	▶200		1543		238	7N-5259	268
7N-4885	4		1545	7N-5239	240	7N-5263	238
	15		1547		242		240
	▶780		1549		245		242
	781		1551		249		245
	782		1553		253		253
7N-4895	856		1555		256		260
	865		1557		260		262
	868		2131		262	7N-5278	222
	901		2135		264	7N-5279	198

PART NUMBER INDEX

Part	Page	Part	Page	Part	Page	Part	Page
	200		1226	7N-5701	986		582
	202	7N-5336	452		988		584
	204	7N-5343	961	7N-5740	30		591
	206		964	7N-5743	30	7N-6527	▶605
	208	7N-5345	961		198	7N-6570	517
	210		964		242		518
	212	7N-5352	961		253		520
	214		964	7N-5792	447		521
	216	7N-5358	961	7N-5796	447		523
	218		964		448	7N-6738	▶447
	220	7N-5360	961		449	7N-6782	▶843
	222		964	7N-5798	447	7N-6806	295
	224	7N-5367	964		448		298
	228	7N-5368	961		449		316
	242		964	7N-5874	196		321
	245	7N-5372	964		198		322
	249	7N-5376	961		200		362
	253		964		202		364
	256	7N-5378	964		204		1175
7N-5307	1214	7N-5412	510		206		1178
	1217	7N-5413	500		208		1191
	1224		510		210		1192
	1226	7N-5416	496		212		1194
7N-5308	1214		500		214	7N-6921	92
	1226		503		216	7N-6954	841
7N-5309	1214		506		218	7N-6955	840
	1217		510		220	7N-6956	842
	1224	7N-5449	539		222	7N-6957	841
	1226		541		224	7N-6958	842
7N-5310	1214		545		228	7N-6959	834
	1226		547		242	7N-6961	▶840
7N-5312	1214	7N-5487	1211		245	7N-6962	▶841
	1217		1212		249	7N-6963	▶842
	1224		1213		253	7N-6965	▶607
	1226		1214		256	7N-6967	▶834
7N-5313	1214		1216	7N-5875	198	7N-6968	▶835
	1217		1217		200	7N-6982	268
	1224		1219		216	7N-6983	268
	1226		1220		218		270
7N-5314	1214		1221		242	7N-6986	310
	1217		1222		245		693
	1224		1223		249	7N-6987	2005
	1226		1224		253		2007
7N-5315	1214		1226		256		2009
	1217		1228	7N-5876	2033		2013
	1224		1229		2054		2016
	1226		1230	7N-5906	1297		2081
7N-5317	1214		1231		1298		2083
	1217		1232	7N-5907	1297	7N-7008	607
	1224		1233		1298	7N-7009	607
	1226	7N-5622	327		835		609
7N-5318	1214	7N-5626	397	7N-5971	961		610
	1217		399	7N-5976	964		778
	1224	7N-5641	126		190	7N-7010	607
	1226		127	7N-5981	192	7N-7012	607
7N-5319	1214		129	7N-5984	961	7N-7057	230
	1217		132		964	7N-7069	▶588
	1224		135	7N-6233	1853	7N-7081	710
	1226		137	7N-6234	1853		712
7N-5320	1214		139	7N-6387	105	7N-7142	705
	1217		141		350	7N-7144	705
	1224		143		352	7N-7221	1438
	1226		144		356		1444
7N-5321	1217		145	7N-6388	348		1449
	1224		147		350		1455
7N-5322	1214	7N-5667	710		352		2051
	1217	7N-5694	986		354		2052
	1224		988	7N-6460	513	7N-7295	190
	1226	7N-5695	986		515		192
7N-5324	1214		988		534	7N-7296	190
	1226	7N-5696	986		536	7N-7297	190
7N-5325	1214		988	7N-6511	189		192
	1217	7N-5700	986		576	7N-7307	190
	1224		988		580		192

PART NUMBER INDEX

Part	Page	Part	Page	Part	Page	Part	Page
7N-7308	190		1791	7N-8008	1866	7N-9942	1297
	192		1808		1869		1298
7N-7415	703		1809	7N-8011	394	7P-8672	1183
	705		1811		395		1186
7N-7416	799		1812		396		1189
7N-7435	26		1829	7N-8041	▶396		1192
	28		1846	7N-8042	▶415		1194
7N-7442	26		1975	7N-8204	1809	7S-1197	1865
	28		2097	7N-8205	1455		1866
7N-7445	26	7N-7780	797	7N-8374	1		2055
	28		1350		83	7S-2245	603
7N-7446	26		1353		196	7S-4338	1353
	28		1354		202		1794
7N-7447	26		1358		204	7S-5005	1252
	28		1365		206		1254
7N-7448	26		1438		208	7S-5041	1327
	28		1448		210	7S-8420	605
7N-7450	26		1449		212		706
	28		1454		214	7S-9323	1027
7N-7451	26		1455		216	7T-0037	1160
	28		1456		218		2030
7N-7494	1854		1582		220	7T-0794	1715
7N-7495	1854		1600		222		▶1757
7N-7496	▶1853		1603		224	7T-0797	1673
7N-7500	477		1621		226		▶1759
7N-7539	194		1623		228	7T-0806	1673
	196		1625	7N-8527	573		▶1761
	198		1785	7N-8549	▶799	7T-2339	1757
	200		1786	7N-8599	▶1234		1759
	202		1787		1235	7T-3267	1652
	204		1791		1237		1655
	206		1808		1239		1765
	208		1809		1241		1768
	210		1811	7N-8634	530	7T-3268	1652
	212		1812		532		1655
	214		1829	7N-8636	530		1765
	216		1846	7N-8638	530		1768
	218		1975	7N-8640	5	7T-3269	1652
	220		2097		12		1764
	222	7N-7781	1350		▶530		1767
	224		1353	7N-8661	▶1854	7T-3270	1652
	228		1358	7N-8673	5		1655
	242		1365		13		1764
	245		1785		▶703		1767
	249		1786	7N-8698	▶2121	7T-3271	1652
	253		1787		▶2124		1764
	256		1791	7N-8715	6		1767
7N-7660	▶230		1808		13	7T-3276	1652
7N-7697	320		1811		▶544		1655
	496		1812	7N-9017	1449		1764
	500		2097	7N-9044	688		1767
	503	7N-7782	1438		706	7T-3277	1652
	506		1448		708		1655
	510		1449	7N-9202	998		1764
7N-7732	234		1454	7N-9539	▶98		1767
7N-7779	797		1455	7N-9737	1448	7T-3278	1652
	1350	7N-7784	▶234		1449		1655
	1353	7N-7820	440		1454		1764
	1354		446		1455		1767
	1358	7N-7964	166		1603	7T-3279	1652
	1365		168		1621		1655
	1438	7N-7981	▶1322		1623		1764
	1448	7N-7986	▶1322		1625		1767
	1449	7N-7991	394	7N-9738	797	7T-3451	1652
	1454		395		1455		1655
	1455		396		1582		1764
	1456		407		1600		1767
	1582		409		1829	7T-3454	1652
	1600		411		1846		1655
	1603		413		1975		1764
	1621		415	7N-9776	1000		1767
	1623	7N-8001	▶1814	7N-9801	1625	7T-3973	1764
	1625		1866	7N-9941	1297		1767
	1785		1870		1298	7T-3974	1652

PART NUMBER INDEX

Part	Page	Part	Page	Part	Page	Part	Page
	1655		389	7W-0709	▶1009		1224
	1659	7W-0283	▶336	7W-0733	1009	7W-2269	1223
	1661	7W-0284	▶337	7W-0910	1850	7W-2295	780
	1664		338	7W-0948	978	7W-2296	780
	1670		339		981	7W-2297	907
	1723		340		1089		908
	1726		341		1132		909
	1729		342	7W-0963	5		912
	1732	7W-0285	335		9		914
	1735		336		16		929
	1738		337		▶510		931
	1741		338	7W-0964	▶476		934
	1764		339	7W-1034	1217	7W-2299	907
	1767		340		1224		908
7T-6184	1625		341	7W-1035	1222		909
7T-6365	1350		342	7W-1063	166		929
7T-8854	▶1615		381		168		931
	1689		382	7W-1102	226		934
	1694		383	7W-1170	1350	7W-2300	826
	1703		384		1353	7W-2353	2066
	1712		386	7W-1171	1350		2068
	1720		387		1353		2081
	1761		388	7W-1255	8		2083
7T-9123	1611		389		15	7W-2354	2066
	1612	7W-0287	335		▶49		2083
	1615		337	7W-1363	1850	7W-2355	2066
	1662		338	7W-1436	17		2068
	1665		339		▶1222		2081
	1724		340	7W-1450	▶2099		2083
	1727		341	7W-1458	▶646	7W-2368	818
	1730		342	7W-1503	1089		824
	1733		381		1132	7W-2378	▶101
	1736		383	7W-1530	▶292	7W-2480	1182
	1739		384	7W-1929	611		1185
	1742		386	7W-1944	852		1188
7T-9517	1625		387		854	7W-2709	1412
7U-4891	1866		388		856		1414
	1869		389		862		1416
7V-1037	1630	7W-0296	1217		868		1418
	1633		1224	7W-1988	6		1420
7W-0050	541	7W-0370	432		17	7W-2710	1412
	545		434		▶370		1414
	547	7W-0373	169		▶372		1416
7W-0051	545	7W-0374	169	7W-2060	1891		1418
7W-0052	547	7W-0407	▶1323		2071		1420
7W-0053	544	7W-0408	▶1324		2075	7W-2731	2065
	▶545	7W-0409	▶1325	7W-2062	17		2071
7W-0054	▶547	7W-0410	▶1326		▶1223		2075
	550	7W-0482	2017	7W-2063	9	7W-2743	1353
7W-0081	893		2021		▶1224	7W-2899	1899
7W-0082	893		2025	7W-2122	1174		1901
7W-0088	1350		2029		1178		1919
	1353		2033		1182		1921
7W-0117	348		2038		1185		1952
	354		2041		1188		1956
7W-0129	345		2044		1191	7W-2937	1891
	347		2047		1192		▶1894
	352		2050		1194		2071
	356	7W-0495	812	7W-2124	308		2075
	358	7W-0522	845		697	7W-3031	282
	360		849	7W-2221	370	7W-3032	282
7W-0130	818		850		372	7W-3035	2071
	824		851		374		2075
	826		▶1515		376	7W-3194	▶179
7W-0131	818	7W-0552	374		378		182
	824	7W-0553	374		401		338
	826		376	7W-2233	▶168		384
7W-0214	112	7W-0612	794		169	7W-3285	▶1130
7W-0281	▶382	7W-0618	797	7W-2234	4		1140
7W-0282	▶383	7W-0619	796		15		1141
	▶384	7W-0620	794		▶169	7W-3294	▶1948
	▶386		795	7W-2236	1217	7W-3295	▶1950
	387	7W-0704	▶1358		1224	7W-3296	▶1951
	388	7W-0705	▶1367	7W-2237	1217	7W-3331	▶1140

PART NUMBER INDEX

Part	Page	Part	Page	Part	Page	Part	Page
7W-3332	▶1140	7W-5235	1305		1618	7W-9345	1938
7W-3333	▶1141	7W-5236	1305	7W-7101	1299	7W-9346	1938
7W-3342	1489	7W-5237	▶418	7W-7107	▶1806	7W-9347	1929
	1499	7W-5293	▶419	7W-7110	1806		1958
	1502	7W-5314	1047	7W-7111	1806	7W-9348	1929
	1504		1057	7W-7322	▶1604	7W-9349	1924
7W-3355	▶1584		1079	7W-7323	▶1295	7W-9350	1924
	▶1585		1087	7W-7326	▶2102		1926
	1594		1105	7W-7336	883	7W-9359	▶1594
	1978		1130		885	7W-9360	▶1595
7W-3368	▶180	7W-5409	813	7W-7431	1520	7W-9449	▶1958
	339	7W-5455	807		1522		▶1960
	386	7W-5456	803	7W-7472	280	7W-9452	▶1962
7W-3414	646	7W-5769	764	7W-7632	▶1363	7W-9453	▶1964
	648	7W-5780	▶276		▶1364		▶1966
	649		▶277		1594	7W-9454	▶1968
7W-3415	336	7W-5848	▶609	7W-7767	1594	7W-9465	▶1235
	382	7W-5849	609		▶1619		▶1237
7W-3484	919	7W-5949	145	7W-7962	2005	7W-9466	▶1239
	▶931		147		2015	7W-9490	1935
	951		▶2128		2083		1956
	952	7W-5967	1603	7W-8010	920	7W-9491	1935
7W-3546	668	7W-6147	1907		▶932		1956
	670		1909		949	7W-9494	1943
7W-3548	668	7W-6288	658		950		1954
	670		672	7W-8011	926	7W-9495	1943
7W-3549	▶670		674		▶933		1954
7W-3555	1594		676		954	7W-9564	927
	▶1603	7W-6289	658		955		▶934
7W-3556	1242		672	7W-8051	1602		941
	1244		674		1604		942
7W-3570	▶826		676		1605	7W-9612	▶1355
	929	7W-6290	▶672		▶1796	7W-9613	▶1805
	931	7W-6291	672	7W-8053	1594	7W-9640	▶1356
	934	7W-6293	672		▶1604	7W-9703	▶590
7W-3721	288	7W-6295	▶674		▶1605	7W-9704	▶591
7W-3722	5	7W-6296	674	7W-8105	58		▶593
	8	7W-6298	674		62	7W-9741	4
	12	7W-6300	▶676		66		8
	16	7W-6301	676		70		12
	▶286	7W-6303	676		▶280		15
	▶287	7W-6305	▶658	7W-8121	434		20
7W-3723	▶288	7W-6306	658		438		▶1010
7W-3724	5	7W-6308	658	7W-8145	316		▶1012
	8	7W-6401	▶105	7W-8401	616		▶1014
	12	7W-6492	303		631	7W-9742	▶1016
	16		348		635	7W-9743	▶1018
	▶293		354	7W-8402	616	7W-9745	5
7W-3740	1850		691		631		9
7W-3741	1850		694		635		12
7W-3745	1850		712		639		16
7W-3813	6		750		639		▶1182
	9		752	7W-8524	▶1564		▶1185
	13		754	7W-8667	1224	7W-9777	1962
	17		766	7W-8668	1224		1964
	21		769	7W-9032	1409		1966
	22		1480		▶1414	7W-9828	▶800
	▶405	7W-6534	816		▶1416	7W-9829	800
	▶406	7W-6778	1958		▶1418	7X-0265	1821
7W-3816	467		1960		▶1420		1822
	470		1968		1843		1823
	473	7W-6794	▶1353		1852		1824
	▶603		1604	7W-9033	1414		1825
7W-4363	▶1850	7W-6796	1353		1416		1826
7W-4422	178	7W-6955	▶1559		1418		1827
7W-4874	820		▶1560		1420	7X-0332	1487
	826		1602	7W-9094	694	7X-0370	617
7W-4923	979		1604	7W-9262	▶1952		632
7W-5028	▶1409		1605	7W-9265	▶1954		636
	▶1410	7W-6956	▶1422	7W-9269	▶1485		641
7W-5221	2062		1594		▶1487	7X-0409	719
	2079	7W-6957	▶1617	7W-9272	▶1489		721
7W-5222	2063		▶1618	7W-9273	▶1956		911
	2077	7W-6958	1617	7W-9343	1964	7X-0448	614

PART NUMBER INDEX

Part	Page	Part	Page	Part	Page	Part	Page
	615		1735		34	8C-3346	1489
7X-0457	303		1738		39	8C-3445	303
	526		1741	8B-4884	2007		496
	1474		1764		2009		506
7X-0485	702		1767		2081		798
7X-0519	1348	7X-3387	798	8B-6283	664		1477
7X-0562	1611	7X-4805	127		676		2137
	1652		132		678	8C-3446	303
	1655		135		680		497
	1658		137		728		507
	1662		312		730		1477
	1665		314	8B-7613	714	8C-3644	1715
	1668		319		734		▶1764
	1671		321		736	8C-3645	1673
	1674		2130		738		▶1767
	1675		2132		740	8C-3654	1431
	1684		2137		742	8C-3655	1652
	1685	7X-5988	1621		744		1655
	1724	7X-6222	1870	8B-7614	714		1765
	1727	7X-6315	309		719		1768
	1730		1406		721	8C-4423	310
	1733		1407		734		697
	1736	7X-7730	660		736	8C-4646	1991
	1739		662		738	8C-5197	986
	1742		778		740	8C-5209	321
	1745	7X-7731	127		742		322
	1747		135		744		803
	1748		137	8B-7624	1627		807
	1757		189		1635	8C-5236	651
	1759		303		1638		726
	1764		513		1640		770
	1767		518		1643		772
	1782		520		1646		774
7X-0575	654		523	8B-7987	50	8C-5917	1329
7X-0584	716		534	8B-9725	688		1338
	717		536		784		1341
	723		575		790	8C-6024	1867
	724		578		1905		1870
7X-0794	816		586		1907		2055
7X-0796	911		590		1909		2085
	1637		593		1911		2086
	1643		654		1913	8C-6123	1866
7X-1062	1621		1475		1915		1982
	1623	7X-7732	26	8C-0503	742		1987
7X-1064	1621		190		744		1990
7X-1078	1621		192	8C-1358	1526	8C-6857	617
	1623	7X-7875	474		1528		632
7X-1445	783	7X-7925	116		1530		636
7X-1547	312		117		1532		641
	356		121		1534	8C-7507	2017
	358		123		1537		2021
	360		124		1539		2025
7X-1786	1621		125		1541		2029
7X-2481	525		143		1543		2033
7X-2501	586		147		1545	8C-7565	700
	588	7Y-7389	1865		1547	8C-7566	664
	590		2055		1549		666
	593		2085		1551		668
7X-3148	738		2086		1553		699
	740				1555		700
7X-3178	1262			8C-3089	1659		702
7X-3373	1652				1661	8C-7567	702
	1655				1664	8C-8491	303
	1659				1667		1473
	1661	8B-0544	1526		1670	8C-8514	3
	1664		1528		1723		2034
	1667	8B-1615	539		1726	8C-8581	303
	1670		547		1729		910
	1675	8B-1931	1362		1732		1480
	1685	8B-2026	972		1735	8C-9660	1659
	1723		973		1738		1661
	1726	8B-2377	858		1741		1664
	1729		1506	8C-3107	310		1667
	1732	8B-2664	30		873		1670

8

PART NUMBER INDEX

Part	Page	Part	Page	Part	Page	Part	Page
	1675		2079		28	8L-5008	843
	1685		2083	8J-5985	307	8L-5066	627
	1723	8F-2347	614		846	8L-5423	303
	1726		615	8J-6775	102		690
	1729		629		730		1480
	1732	8F-4610	1040		732	8L-6557	1004
	1735		1048		748		1018
	1738		1058	8J-6815	1302		1376
	1741		1088	8J-8725	1214		1378
8C-9812	1620		1131		1217		1382
	1621	8F-4994	515		1219		2011
	1623	8F-5368	1761		1220	8L-8413	1335
8D-1429	1867	8F-6302	974		1221		1337
8D-2676	1792		1048		1222		1338
	1866		1088		1223		1339
	1869		1131		1224		1341
	2034	8F-7219	1716		1226		1408
	2054		1754		1228		1439
8D-5898	891	8F-8178	1242		1232		1444
	893		1244		2139		1482
	895	8F-8858	321	8J-8879	174		1821
8D-7942	55		322	8J-8919	282		1822
	303		432	8K-2396	495		1823
	428		434	8L-2746	794		1824
	430		436		795		1825
	1475		438		796		1826
8D-8724	2034	8F-9866	2127		797		1827
8D-9947	1425		2149	8L-2786	318		1828
8F-1434	1307	8G-2077	658		321		1869
	1309		672		322		1870
	1311		674		985		1878
	1322		676		1002		2018
	1356	8H-0707	1031		1014		2022
	1611		1033		1031		2026
	1625		1040		1033		2030
	1652		1047		1040		2034
	1655		1057		1047		2038
	1659		1064		1057		2041
	1662		1071		1064		2044
	1665		1072		1072		2047
	1667		1079		1079		2050
	1670		1087		1087		2055
	1674		1097		1098		2085
	1679		1105		1105		2086
	1684		1113		1113		2126
	1706		1122		1122	8L-9765	2118
	1713		1123		1130	8L-9767	617
	1721		1130		1145		621
	1724		1144		1153		624
	1727		1145		1237		627
	1730		1152		1239		632
	1733		1153		1252		636
	1736	8H-1141	1652		1254		641
	1739		1655		1835	8M-0547	303
	1742		1761		2131		1473
	1745		1764		2136	8M-0744	303
	1747		1767	8L-3161	1033		684
	1748	8H-2046	652		1071		1478
	1757		706	8L-3162	1033	8M-0745	303
	1759	8H-2778	1027		1071		684
	1764	8H-3128	750	8L-3873	858		1478
	1767		752		1506	8M-1279	198
	1782		754		1617		242
	1864		762		1618		253
	1877		764		1619	8M-1682	1274
	1891		766	8L-4282	972		1285
	1895		769		973		1287
	2033	8H-5429	1802		977	8M-2530	266
	2034		1803	8L-4952	621		270
	2063	8H-5772	1850		624		272
	2066	8H-7202	1027		627	8M-2770	1960
	2071	8H-8731	1304	8L-4955	621	8M-2772	1909
	2075		1305		624		1911
	2077	8H-9789	26		627		1917

PART NUMBER INDEX

Part	Page	Part	Page	Part	Page	Part	Page
	1918		1940		961		1186
	1958		1946		964		1188
	1960		1960		2138	8N-4157	824
	1962		1962	8N-2004	961	8N-4160	824
	1964		1966		964	8N-4262	▶1000
	1966		1968	8N-2262	1396		1039
	1968	8M-9124	345		1400		1045
8M-2773	1425		347		1799		1046
8M-2933	750	8N-0032	994	8N-2266	1376		1140
	752		998		1378		1141
	762	8N-0033	996		1380		1143
	764		1000		1382	8N-4263	▶82
	766	8N-0339	8	8N-2355	▶982		1039
	769		20	8N-2407	324		1045
8M-3175	348		22	8N-2408	324		1140
	354		▶181	8N-2409	803		1141
8M-3182	511		182		805	8N-4266	▶83
8M-3839	1351		183		807		1039
	1353		184	8N-2410	320		1046
8M-5255	30		185		322		1141
	34	8N-0386	303		803		1143
	198		350		805	8N-4387	432
	202		652		807		434
	206		654	8N-2555	809		436
	208		688		813		438
	212		706	8N-2556	811	8N-4707	116
	220		708	8N-2559	811		118
	222		1479		812		119
	226	8N-0419	703	8N-2562	811		123
	228	8N-0420	703	8N-2755	1182		124
	238	8N-0694	▶1793		1183		2141
	240		1866		1185	8N-5120	959
	242		1869		1186	8N-5121	959
	245	8N-0855	1524		1188	8N-5123	1035
	253	8N-0896	234		1189	8N-5213	787
	260		237		1191	8N-5254	809
	262	8N-1186	1173		1192		813
	397	8N-1233	370		1235	8N-5301	202
	728		372	8N-2929	496		212
8M-5312	1350		374		500		228
8M-6701	1313		376		503		238
	1316		378		506		253
	1319		401		510	8N-5619	▶992
8M-7065	24	8N-1235	612	8N-2934	190	8N-5620	5
	26	8N-1287	424		192		12
	28	8N-1517	1870	8N-2941	▶1799		▶238
8M-7145	762	8N-1542	1431		▶1800		▶240
	764	8N-1543	1345	8N-3378	809	8N-5678	▶202
	766	8N-1610	1438		810		▶204
	852	8N-1693	1625		▶812	8N-5698	1905
	854	8N-1989	303		813		1907
	862		652	8N-3480	1235		1913
8M-8489	192		654		1237		1915
8M-9024	44		688		1239	8N-5701	1376
	47		1479		1241		1378
	49	8N-1990	652	8N-3504	31		1380
	104		654		35		1382
	303	8N-1991	457		38		1970
	348		476	8N-3529	1182		1973
	354		496		1185	8N-5710	▶1970
	356		501		1188	8N-5713	▶1971
	358		510	8N-3581	▶278	8N-5714	▶1972
	360		2131	8N-3639	354	8N-5719	▶1973
	458	8N-1992	303	8N-3640	354	8N-5720	1971
	694		457	8N-3896	▶1770	8N-5743	▶206
	846		476		1771		▶208
	860		496		1772		▶210
	1002		500	8N-3897	▶1773	8N-5745	▶212
	1012		506		▶1774		▶214
	1014		510	8N-3898	▶1775	8N-5767	▶216
	1016		1477		1776	8N-5768	2
	1019	8N-1995	961		1777		▶242
	1472		964	8N-3899	▶1778		▶245
	1931	8N-1996	315	8N-3928	1182		▶249

PART NUMBER INDEX

Part	Page	Part	Page	Part	Page	Part	Page
8N-5769	2		1178		114	8N-7707	▶482
	▶253		1182	8N-7174	8	8N-7712	9
	▶256		1185		15		16
8N-5771	216		1188		20		▶532
	242		1191		22	8N-7715	5
	245		1195		▶260		16
	249	8N-6211	1174		▶262		▶704
	253		1178		▶264	8N-7716	5
	256		1183	8N-7182	4		8
8N-5772	206		1186		12		12
	208		1189		15		16
	212		1192		▶186		▶652
	214		1194		▶187		▶654
8N-5793	5	8N-6224	9	8N-7191	438	8N-7717	6
	16		13	8N-7197	305		9
	▶1188		▶374		306		13
8N-5802	▶15		▶376		428		17
8N-5839	732	8N-6296	1021		430		▶787
	748	8N-6297	1016		432		▶790
			1021		434	8N-7718	9
8N-5872	656	8N-6309	811		436		16
	658		812		438		▶705
	660	8N-6325	1189		1474	8N-7724	▶1226
	662		1235	8N-7232	4	8N-7725	4
	664	8N-6326	311		8		15
	666		1178		12		▶964
	668		1182		15	8N-7726	4
	670		1185		▶481		15
	672		1188	8N-7253	▶1779		▶1023
	674		1191		1780		▶1025
	676		1194		1781	8N-7734	5
	678	8N-6327	1174	8N-7289	438		8
	680		1178	8N-7290	434		12
	682		1182		438		16
8N-5873	656		1185	8N-7292	432		▶324
	658		1188		434	8N-7804	6
	660		1191		438		▶935
	662		1194	8N-7296	370	8N-7805	▶574
	664	8N-6355	▶1021		372	8N-7810	370
	666	8N-6392	186		374		372
	668	8N-6414	▶1625		376		374
	670	8N-6423	773		378		376
	672		776	8N-7500	▶2103		378
	674		777	8N-7639	303		401
	676	8N-6435	▶1027		686	8N-7952	17
	678	8N-6439	▶236		1478		▶378
	680	8N-6477	▶1141	8N-7640	710	8N-7963	378
	682	8N-6481	▶1142	8N-7641	688	8N-8056	127
8N-6020	370	8N-6534	811		706		129
	374		812		708		132
8N-6038	2	8N-6563	237	8N-7642	710		135
	▶235	8N-6564	▶392		712		137
8N-6061	897	8N-6645	242	8N-7643	6	8N-8069	1214
	899		260		9		1222
8N-6062	897	8N-6712	5		13		1226
	899		8		17	8N-8089	2134
8N-6151	6		12		20	8N-8111	5
	9		16		22		8
	13		▶1142		▶647		12
	17	8N-6714	▶1143		648		16
	20	8N-6722	▶1143		649		▶294
	22	8N-6861	118		650	8N-8112	▶289
	▶1247		119		704	8N-8113	5
	1248		123	8N-7656	48		8
	1249		124	8N-7657	48		12
8N-6152	9	8N-6864	129	8N-7659	48		16
	17	8N-7103	4	8N-7660	48		▶290
	20		8	8N-7705	5	8N-8160	998
	22		12		9		1000
	▶549		15		13	8N-8210	202
	550		20		16		206
	551		22		▶350		208
8N-6164	▶348		▶112		▶352		212
8N-6174	▶517		113	8N-7706	▶354		220
8N-6210	1174						

PART NUMBER INDEX

Part	Page	Part	Page	Part	Page	Part	Page
	222		1901	8N-8487	▶828	8N-9166	▶218
	226		1905	8N-8488	1608	8N-9167	▶220
	228		1907	8N-8489	▶1502		▶222
8N-8216	118		1909		▶1504		▶224
	139		1911	8N-8490	▶1396	8N-9211	92
	141		1913		▶1398		98
8N-8293	1183		1915	8N-8491	▶1400	8N-9300	1345
	1186		1918		▶1402		1893
	1189		1919	8N-8506	1169	8N-9303	▶813
	1192		1921		1171	8N-9390	652
	1194		1933	8N-8507	▶851		654
8N-8300	294		1935	8N-8509	427	8N-9392	986
8N-8360	▶30		1952	8N-8510	▶427		988
	▶34		1956	8N-8514	1169	8N-9422	784
	▶38		1970		1171		787
8N-8403	656	8N-8471	1376	8N-8524	605	8N-9464	▶237
	660		1378	8N-8535	605	8N-9482	455
	662		1380	8N-8537	666		457
8N-8405	656		1382		682		460
	660		1382	8N-8539	666		463
	662		1903		682		468
8N-8406	▶660		1928	8N-8540	▶682		471
	▶662		1929	8N-8542	▶1365		473
8N-8411	▶678		1931	8N-8550	1530		476
	▶680		1937		1532		192
8N-8419	1905		1941		1537	8N-9554	784
	1913		1943		1541	8N-9609	787
8N-8430	1909		1945		1543		790
	1911		1946		1545		710
8N-8431	1917		1948		1547	8N-9623	712
	1918		1950		1549		5
8N-8432	1905		1951		1551	8N-9639	16
	1907		1954		1555		▶282
8N-8433	1913		1958		1557		4
	1915		1960	8N-8570	778	8N-9640	8
8N-8446	1642	8N-8472	1376	8N-8571	778		12
	1645		1378	8N-8786	1182		15
	1648		1378		1185		▶90
	1649		1380	8N-8788	1182	8N-9642	4
	1650		1382		1185		8
8N-8447	828		1899		1188		12
	1608		1901	8N-8879	809		15
8N-8448	1491		1903		813		▶102
	1499		1905	8N-8880	809	8N-9654	803
8N-8449	1493		1907		813		805
	1495		1909	8N-8938	532		807
	1497		1911	8N-8940	532	8N-9658	102
	1502		1913	8N-8953	703	8N-9662	▶988
	1504		1915		705		1141
8N-8451	1642		1918	8N-8955	703		1142
	1645		1919		705		1143
	1648		1921	8N-8993	4	8N-9698	▶1855
	1649		1933		8	8N-9706	784
	1650		1935		12		787
	1651		1941		15		790
8N-8452	828		1943		20	8N-9799	5
	1607		1948		22		9
	1608		1952		▶610		13
8N-8455	726		1954		704		16
8N-8456	726		1956	8N-8994	5		▶877
8N-8461	726		1970		9	8N-9850	1004
8N-8462	746		1973		13		1007
8N-8464	726	8N-8476	▶1648		16		1010
8N-8466	▶746	8N-8477	▶1649		704		1021
8N-8467	▶397	8N-8478	▶1650		▶706		1023
	▶398	8N-8479	▶1651		▶708		1025
8N-8468	▶399	8N-8480	▶1491	8N-8995	5	8N-9853	6
	▶400	8N-8481	▶1493		9		17
8N-8470	1376		▶1495		13		▶1241
	1378		▶1497		16	8N-9885	100
	1380	8N-8482	▶1499		704		101
	1382	8N-8483	▶958		▶710		102
	1899	8N-8486	▶1608	8N-9050	652		303

PART NUMBER INDEX

Part	Page	Part	Page	Part	Page	Part	Page
	315		1478		1764		137
	994	8S-5107	1530		1767		141
	996		1532		1782		143
	998		1557		1891		147
	1000	8S-5383	327		2071		312
	1368		329		2075		321
	1370		331	8T-0707	714		803
	1473		333		719		2137
	2130	8S-7762	762		721	8T-3490	1480
8N-9944	1214	8S-8023	1614		740	8T-3510	188
	1217	8S-8024	1614	8T-1568	700	8T-4121	1748
	1223	8S-8075	1716	8T-1570	700		1782
	1224		1754	8T-1685	310	8T-4122	614
8N-9991	48	8S-8158	1350		697		615
8N-9992	86	8S-8159	1169	8T-1919	303	8T-4133	1748
	88		1171		691		1782
	90	8S-8821	762		694	8T-4134	1867
	309	8S-9089	283		1480		2018
8N-9993	86		284		2134		2022
	88		286	8T-2153	240		2026
	90		287		245		2030
	303		290		249		2047
	453		1483		256	8T-4136	714
	1476		1485		260		719
8P-1438	194		1489		262		721
	200	8S-9092	1208		264	8T-4191	928
	245	8S-9191	307	8T-2175	1850	8T-4192	717
	249		528	8T-2228	1996		724
	256		605	8T-2353	307	8T-4205	534
8P-7065	1412		611	8T-2501	274		536
8S-0768	118		612	8T-2882	2017		586
	139		666		2021		588
8S-1527	1614		694		2025		590
8S-1528	1614	8T-0099	127		2029		593
8S-1535	1716		129		2034		1262
	1754		132		2038		1307
8S-1571	1716		135		2041		1309
	1755		137		2044		1311
8S-2225	1716	8T-0209	714		2047		1313
	1754		719		2050		1316
8S-2226	1716		721	8T-2903	315		1319
	1754		738		607		1345
8S-2331	266		740		778		1348
8S-3215	30		744		784		1418
	34	8T-0328	1307		790		1420
8S-4684	1716		1309		2130		1431
	1755		1311		2135		1435
8S-4710	1242		1313		2136		1652
	1244		1316	8T-2928	116		1655
	1271		1319		117		1658
	1274		1351		119		1661
	1277		1356		121		1664
	1279		1611		122		1667
	1281		1652		123		1670
	1283		1655		124		1723
	1285		1659		125		1726
	1287		1662		135		1729
	1289		1665		137		1733
	1292		1668		141		1736
	1596		1671		143		1739
	1598		1674		147		1741
8S-4711	1630		1684		312		1757
	1633		1724		321		1759
	1893		1727		803		1764
8S-4734	424		1730		2137		1767
8S-4757	171		1733	8T-2929	116		1803
	181		1736		117		2145
	182		1739		119	8T-4223	55
	183		1742		121		274
	184		1745		122		586
	185		1747		123		590
	186		1748		124		593
	187		1757		125		626
8S-4951	303		1759		135		1487

PART NUMBER INDEX

Part	Page	Part	Page	Part	Page	Part	Page
8T-4224	799		609		835		1478
	800		610		846		1594
8T-4226	2034	8T-6759	39		860		1595
	2052		157		1371	8T-6766	717
8T-4244	716		165		1472		724
	723		194		1475		726
	1745		196		1477		730
	1747		200		1478		1002
	1757		204		1530		1012
	1759		210		1532		1014
8T-4412	1865		214		1537		1016
	2055		216		1541		1018
8T-4833	1850		218		1543	8T-6767	310
8T-4862	9		224		1545		654
	13		249		1547		694
8T-4864	10		256		1549	8T-6871	614
	14		393		1551		615
8T-4866	10		398		1555	8T-7494	309
	14		752		1557		697
8T-4896	274		754		1602	8T-7525	310
	617		769		1605		697
	623	8T-6760	98		1608	8T-7581	432
	626	8T-6761	39	8T-6763	127		436
	632		86		135	8T-7883	10
	636		88		137		14
	641		90	8T-6764	24	8T-7886	10
	778		91		190		14
	889		92		192	8T-7934	303
	2145		94		303		910
8T-4970	1757		303		605		1480
	1759		310		726	8T-8418	10
8T-4994	614		348		750		14
	615		354		752	8T-8566	1652
	617		686		754		1655
	632		688		766		1764
	636		703		769		1767
	641		705		846	8T-8569	1652
	1855		708		860		1655
8T-5449	1414		876		1472		1764
8T-6342	1819		902	8T-6765	91		1767
8T-6690	616		903		94	8T-8729	1428
	631		907		285		1430
	635		908		291		1431
	639		909		292		1436
8T-6726	1532		1371		293		1444
	1534		1478		303		1623
	1537		1595		310		1810
	1539	8T-6762	26		380		1995
	1541		39		497		2051
	1543		127		500		2085
	1545		135		504		2086
	1547		137		507	8T-8730	1428
	1549		291		605		1431
	1551		293		607		1436
	1553		303		654		1444
	1555		310		686		1447
8T-6757	39		358		688		1847
	194		360		708		1870
	200		455		770		2051
	204		457		774	8T-8731	1431
	210		463		783		1436
	214		497		784	8T-8732	1431
	216		504		790		1586
	218		507		803	8T-8737	1345
	224		609		807		1428
	249		610		854		1432
	250		686		862		1436
	256		712		891		1444
	811		778		897		1445
	812		783		899		1578
	986		803		903		1583
8T-6758	291		807		1368		1586
	292		828		1370		1847
	293		831		1473		1870

PART NUMBER INDEX

Part	Page	Part	Page	Part	Page	Part	Page
	1993		717		220	9F-8122	230
	1994		724		222	9F-8125	1875
	1995		728		226		1876
	2051		730		228		1996
8T-8827	1345		732		242		1998
8T-8878	10		748		245		2000
	14	9B-1117	1269		253		2030
8T-8879	10	9B-2232	992		959		2034
	14	9B-3523	1815		988		2052
8T-8880	9	9B-4202	189		1161	9F-8999	658
	13	9B-7233	1313		1281	9F-9203	1802
8T-8912	2038		1316		1596		1803
	2041		1319	9F-2636	2127	9F-9596	959
	2044		1350	9F-2637	2127	9F-9597	959
	2047		1351	9F-2638	2127	9F-9635	959
	2050		1353	9F-2773	303	9F-9637	1161
8T-8917	586		1355		860	9F-9680	959
	590		1362		1472	9F-9695	1028
8T-8919	55		1618	9F-2947	1510		1029
	586		1625	9F-3099	1801		1030
	593		1794		1802	9G-0003	1335
8T-8924	614		1801		1803		1337
	615		1802		1805		1338
8T-9043	800		1803	9F-3691	1875		1339
8T-9364	534		1805		1876		1341
	536		1894	9F-4976	1609	9G-0004	1335
	2145		2017		1612		1337
8T-9368	1823		2021		1615		1338
	1826		2025		1689		1339
	2038		2029		1694		1341
	2041		2034		1695	9G-3186	1438
	2044		2048		1699		1440
	2047		2051		1703		1444
	2050		2069		1716		1583
8T-9377	778		2071		1754	9G-3662	1438
	2034		2073	9F-5599	1561	9G-3670	1454
8T-9399	1855		2075		1658	9G-3695	1436
8T-9637	1867		2095		1661		1438
	1870		2096		1664		1448
8T-9655	303	9B-7237	623		1674		1449
	1368		626		1679		1454
	1473		814		1684		1455
8T-9757	1329	9B-7242	2092		1689		1786
	1338		2093		1694		1787
	1341		2094		1699	9G-4101	1658
8T-9815	1362	9D-2734	1867		1703		1661
8T-9834	1847		1870		1706		1662
	1870	9D-2867	1867		1712		1664
8T-9884	1653		1871		1720		1665
	1656	9D-3127	1867		1723		1667
	1765		1871		1726		1668
	1768	9D-3721	1813		1729		1670
8X-2041	303	9D-3737	2039		1732		1671
	690		2042		1735		1699
	1480		2045		1738		1703
			2048	9F-6445	1262		1706
			2051		2050		1712
		9D-3769	1262	9F-6580	1506		1723
		9D-7032	1169		1905		1726
			1171		1907		1729
9B-0453	1679	9D-9161	1867		1911		1732
	1680		1871		1913		1735
	1706	9F-2247	30		1915		1738
	1707		34		1926		1739
	1712		174		1968		1741
	1720		177	9F-7022	979		1742
	1761		178	9F-7707	303	9G-4231	1339
9B-0701	513		179		428	9G-4232	1335
	534		180		430		1337
	536		198		432	9G-4250	1329
9B-0887	617		202		434	9G-4336	1448
	632		206		436	9G-4343	1448
	636		208		438	9G-4344	1448
	641		212		1475	9G-4367	1674

9

PART NUMBER INDEX

Part	Page	Part	Page	Part	Page	Part	Page
	1679		1741		1948		1047
	1684		1761		1956		1049
	1689	9H-6673	467	9L-8716	1923		1057
	1694		470		1928		1058
9G-4513	1720	9H-6761	521		1933		1064
	1761		580		1935		1071
9G-5127	308		582		1948		1079
	1835		1830		1956		1087
	1839		1831	9L-8781	728		1089
9G-6014	565	9H-8260	291		730		1097
	566		292		732		1105
9G-6655	1468		293		748		1113
9G-6770	1612		294	9L-8866	1209		1122
	1615		308	9L-9089	979		1130
	1733		873	9L-9132	30		1132
	1739	9H-8839	762		31		1144
9G-8010	2069		764		34		1152
	2071	9J-8606	897		35	9M-0016	2118
	2073		899		39	9M-0378	38
	2075	9K-5469	1926		282	9M-0387	177
9G-8140	310	9K-6540	467		303		178
9G-8180	1617		470		311	9M-0397	24
9G-9033	1331		474		394		26
	1333	9K-6765	1300		409		28
9G-9149	1423		1304		415	9M-0402	31
9G-9151	1423		1305		513		35
	1425	9L-0360	1208		515	9M-0766	38
	1975	9L-0638	1947		658		1924
	1976	9L-0672	513		672		1929
	1977		517		674		1938
	1978		518		676		1958
9G-9155	1425		520		684		1964
9G-9364	1625		521		691	9M-0853	511
9G-9817	1762		523		697	9M-1289	623
9G-9818	1762		534		839		626
9H-0858	891		536		860		629
9H-1958	1803	9L-1480	312		876	9M-1974	31
	2021		320		877		35
	2025		350		994		39
	2029		352		996		106
	2034		356		998		109
	2042		358		1000		110
	2045		360		1297		129
	2048		479		1298		132
	2051		480		1423		135
9H-2367	513		2137		1425		137
	517	9L-2295	308		1472		194
	518		873		1478		196
	520	9L-3899	911		1480		198
	521	9L-4007	703		1499		200
	523	9L-4013	327		1534		202
	534	9L-5125	30		1862		204
	536		34		1863		206
9H-3757	1658		39		1975		208
	1661	9L-5254	30		1976		210
	1664	9L-6626	979	9L-9398	964		212
	1667	9L-6770	1307	9L-9503	1271		214
	1670		1309		1274		216
	1674		1311		1277		218
	1679	9L-7373	303		1279		220
	1684		871		1281		222
	1689		873		1283		224
	1694		1473		1285		228
	1699	9L-7712	432		1287		238
	1703		434		1289		240
	1706		436		1292		242
	1712		438		1304		246
	1720	9L-8493	1911		1305		249
	1723		1915		1596		253
	1726		1918		1598		257
	1729	9L-8715	1923	9L-9653	190		260
	1732		1928		192		262
	1735		1933	9L-9777	968		264
	1738		1935		1040		303

PART NUMBER INDEX

Part	Page	Part	Page	Part	Page	Part	Page
	311		750		1703		1316
	366		752		1707		1319
	368		754		1712	9N-0943	1313
	440		762		1720		1316
	444		764		1732		1319
	446		766		1738	9N-1534	979
	450		769		1761	9N-1752	1004
	513		787	9M-7609	1652		1021
	515	9M-4202	190		1655		1023
	534		192		1658		1025
	536		688		1661		1235
	556		706		1664		1237
	558		708		1675		1239
	571		762		1680	9N-2035	818
	651		764		1685		824
	686	9M-4355	551		1690	9N-2036	818
	699	9M-4584	530		1695		824
	710		532		1700	9N-2038	912
	712		1175		1704		914
	726		1179		1707		916
	770		1182		1713		917
	772		1183		1721		932
	774		1185		1723		933
	805		1186		1726	9N-2039	916
	812		1188		1729		917
	883		1189		1732		932
	885		1191		1735		933
	961		1194		1738	9N-2041	818
	964	9M-4594	1520		1741		824
	972		1522		1761	9N-2043	818
	973		1835		1764		824
	979		1839		1767	9N-2046	818
	982	9M-4704	1345	9M-7611	1680		824
	986	9M-4815	30		1690	9N-3388	1313
	988		34		1695		1316
	994	9M-4849	1526		1700		1319
	996		1528		1704	9N-3701	818
	998		1534		1707	9N-4053	1174
	1000		1539		1713		1178
	1002		1553		1721		1182
	1007	9M-4897	605		1762		1185
	1010	9M-5082	734	9M-7657	1614		1188
	1012		736	9M-8443	699		1191
	1014		738	9M-8911	818		1194
	1016		742		824	9N-5253	1468
	1018	9M-5520	1348	9M-8915	815	9P-1347	851
	1175		1412		818	9P-6895	1874
	1179		1414		824	9R-5008	310
	1182		1416	9M-8919	814	9R-7882	310
	1183		1418		818		873
	1185		1420		820	9S-0211	190
	1186	9M-5590	974		824		192
	1188		1049		826		990
	1189		1089	9M-9085	1802		992
	1191		1132	9N-0869	303	9S-1307	992
	1194	9M-6522	30		311	9S-1343	92
	1234		34		324		98
	1368		39		450	9S-1354	52
	1370		1474		684	9S-1366	453
	1371	9M-7269	286		1195		658
	1474		287		1206		660
	1478	9M-7357	552		1207		672
	1489		554		1368		674
	1499		556		1370		676
	1502		558		1371		678
	1504		571		1474	9S-1368	420
	1506		1348		1478		1524
	1625	9M-7606	1658	9N-0937	1313		1526
9M-2151	773		1675		1316		1528
	776		1680		1319		1530
	777		1685	9N-0939	1313		1532
9M-2342	1027		1689		1316		1534
9M-2610	603		1695		1319		1537
9M-3786	726		1700	9N-0942	1313		1539

PART NUMBER INDEX

Part	Page	Part	Page	Part	Page	Part	Page
	1541		504		1087		151
	1543		507		1098		154
	1545		510		1105		166
	1547		603		1113		168
	1549		650		1122		296
	1551		686		1130		297
	1553		801		1145		1879
	1555		802		1153		1882
	1557		984		1478		1884
9S-1374	283		986	9S-4188	303		1886
	284		988		684		1982
	286		1002		1478		1984
	287		1004	9S-4190	310		1986
	290		1007		348	9S-8005	643
9S-1398	631		1010		354		645
	635		1012		497		686
	639		1014		500	9S-8688	1614
9S-2009	1313		1016		504	9S-8750	740
	1316		1018		507		897
	1319		1021		510		899
9S-2014	1319		1023		1002		1346
9S-2302	1307		1025		1004		1376
	1313		1031		1007		1378
	1316		1064		1010		1380
	1319		1145		1012		1382
9S-2390	1307		1175		1014		1425
	1309		1179		1016		1520
	1311		1182		1018		1522
	1313		1185		1021		1560
	1316		1188		1023		1618
	1319		1191		1025		1630
9S-2396	1313		1194	9S-4191	126		1633
	1316		1475		127		1801
	1319		1477		135		1802
9S-2542	1761		1478		137		1805
9S-2544	1313		1896		143		1806
	1316		1897		147		1866
	1319		2005		310		1869
	1658		2007		694		1899
	1661		2009		750		1901
	1664		2012		752		1907
	1667		2013		754		1909
	1670		2015		766		1911
	1674		2016		769		1915
	1684		2081		1002		1918
	1723		2083		1004		1919
	1726	9S-4183	772		1007		1921
	1729		778		1010		1933
	1732	9S-4185	94		1012		1935
	1735		285		1014		1952
	1738		303		1016		1956
	1741		310		1018		1970
9S-4180	728		605		1021		1973
	730		607		1023		2001
	732		613		1025		2003
	748		688		1175		2039
9S-4181	1459		697		1179		2042
	1460		708		1182		2045
	1461		985		1185		2048
	1462		1002		1191		2051
	1466		1007		1194	9S-8752	31
	1467		1010		1237		34
9S-4182	303		1012	9S-4684	1350		39
	310		1014		1354		56
	455		1016		897		58
	457		1018	9S-5033	899		60
	460		1031		1327		62
	463		1033	9S-7130	705		64
	467		1040	9S-7296	1005		66
	470		1047	9S-7381	1018		68
	474		1057		2011		70
	476		1064	9S-7712	2149		280
	497		1072	9S-7977	149		282
	500		1079	9S-8002	150		303

PART NUMBER INDEX

Part	Page	Part	Page	Part	Page	Part	Page
	309		1194	9V-4924	276		1319
	455		1237		277	9X-3132	1847
	457		1239	9V-7451	2145	9X-3207	1621
	460		1297	9W-0073	1870		1623
	463		1298		1982		▶2097
	468		1368		1987	9X-3271	1588
	471		1374		1990	9X-3401	1432
	473		1376	9W-0852	1431		1436
	477		1378		1436		1567
	495		1380	9W-1464	1879		1577
	497		1382		1882		1581
	500		1385		1884	9X-3402	1431
	526		1391		1886		1436
	528		1398		1982		1583
	530		1402		1984	9X-3816	1526
	532		1416		1986	9X-4276	1350
	534		1418	9W-1494	▶1482	9X-4452	1715
	536		1420		1975		▶1782
	607		1425		1976	9X-4594	750
	609		1472		1977		752
	610		1474		1978		754
	616		1478	9W-1951	1431		766
	621		1480		1870		769
	624		1483	9W-3577	▶1990	9X-4612	331
	629		1485		2059	9X-4813	1431
	631		1487		2060		1436
	635		1489	9W-7783	175	9X-4814	1431
	639		1493		176	9X-4824	1652
	656		1495	9X-0145	1870		1655
	664		1499	9X-0262	307	9X-5392	1579
	666		1502		1835		▶1586
	668		1516		1839	9X-5999	1031
	684		1518	9X-0263	1835		1033
	688		1520		1839		1064
	691		1522	9X-0332	1757		1071
	694		1526		1759	9X-6138	103
	697		1528	9X-0352	303		104
	712		1534		428		188
	717		1537		430	9X-6165	1931
	724		1539		1475		1940
	730		1541	9X-0435	1587		1946
	732		1543	9X-1124	1891		1960
	746		1545		2071		1962
	748		1547		2075		1966
	758		1549	9X-1343	1870	9X-6258	2052
	760		1551		2055		2054
	773		1553		2085	9X-6259	1346
	777		1555		2086		1893
	811		1560	9X-1365	1867	9X-6260	177
	831		1798		1870		178
	832		1800	9X-1386	1577	9X-6279	719
	833		1806		1581		721
	834		1809		1582	9X-6381	1874
	835		1836		1586	9X-6458	303
	836		1840		1975		311
	839		1862	9X-1813	1566		495
	840		1863		1567		688
	841		1866		1568		691
	842		1869		1569		694
	846		2001		1570		846
	850		2003		1571		883
	854		2083		1572		885
	856	9S-8893	232		1573		906
	860		233		1574		1175
	862		234		1575		1371
	865		235		1829		1477
	868		236		1835		1480
	876		237		1839		1539
	961	9S-9238	1423	9X-2027	1627		1553
	964		1483	9X-2079	1416		2145
	1018		1485	9X-2119	55	9X-6602	7
	1169		1487	9X-2377	1526	9X-6772	504
	1171	9U-6219	2149	9X-2500	1313		507
	1175	9U-7509	2149		1316		523

PART NUMBER INDEX

Part	Page	Part	Page	Part	Page	Part	Page
	784		287	9Y-2053	816		413
	790	9X-8878	285	9Y-2178	▶525		415
	1174	9X-8879	196	9Y-2179	▶525	9Y-5062	1560
	1345		222	9Y-2651	1045		2003
	1445		224		1143	9Y-5065	714
	1806		250		▶1144	9Y-5066	714
	1835		264	9Y-2652	1039	9Y-5068	714
	1839		292		1140	9Y-5069	714
	1867	9X-8887	190		1141	9Y-5070	714
	1870		192		1142	9Y-5071	714
	1931		266		▶1152	9Y-5072	714
	1940		990	9Y-2691	1168	9Y-5285	35
	1946	9X-9511	1652	9Y-2715	1122		38
9X-7137	1621		1764		1144	9Y-5286	327
	1623		1767		1152		393
9X-7138	1621	9X-9584	1621	9Y-2716	1123		398
	1623		1623		1144		400
9X-7258	177	9X-9675	1866		1153	9Y-5377	936
	178		2054	9Y-2762	1123		941
9X-7371	1	9X-9720	1338		1145		946
	83	9X-9730	1341		1153		951
	204		▶1342	9Y-2763	1123	9Y-5378	949
	218	9Y-0047	1194		1145		954
	394		1206		1153	9Y-5497	▶188
	395		1207	9Y-2765	1122	9Y-5582	936
	396		1235		1145		941
	407	9Y-0635	155		1152		946
	409		159	9Y-2851	73		951
	411		165		80	9Y-5583	936
	413	9Y-0637	303	9Y-2852	78		941
	415		526	9Y-2893	1926		946
	717		1474		1968		949
	724	9Y-0727	77	9Y-2906	1981		951
9X-7409	2140	9Y-0860	303		▶1991		954
9X-7410	2140		526	9Y-2907	1980	9Y-5584	852
9X-7438	424		1474		▶1992		854
9X-8124	1345	9Y-0871	664	9Y-2921	1345		856
	1866	9Y-0914	1169		1866	9Y-5596	6
	1869		1171		1869		13
	2018		1362	9Y-3084	347		▶949
	2022		▶1812		▶356		▶950
	2026	9Y-0947	1992		▶358	9Y-5598	9
	2030	9Y-1049	1474	9Y-3087	345		17
	2034	9Y-1484	132		▶360		▶951
	2038	9Y-1485	132	9Y-3108	1534		952
	2041		135		1539		953
	2044	9Y-1493	814		1553	9Y-5600	8
	2047		826	9Y-3338	816		16
	2050	9Y-1588	1123	9Y-3778	766		▶852
9X-8256	754		1145	9Y-3830	112		▶854
9X-8285	303		1153	9Y-4016	712	9Y-5602	5
	871		▶1251	9Y-4121	132		12
	1473	9Y-1676	816		135		▶856
9X-8486	1351	9Y-1677	816		137	9Y-5710	▶748
	1893	9Y-1679	816	9Y-4124	376	9Y-6023	329
9X-8872	86	9Y-1683	816	9Y-4562	▶936	9Y-6089	1645
	88	9Y-1685	816		937		1771
	90	9Y-1687	816		938		1772
9X-8873	285	9Y-1690	816		939		1774
	670	9Y-1692	911		940		1776
	691	9Y-1699	911	9Y-4563	▶941		1777
	837	9Y-1741	432		942	9Y-6093	▶954
	1480		436		943		▶955
9X-8874	285	9Y-1770	432		944	9Y-6272	911
	307	9Y-1782	1251		945	9Y-6422	119
	860		1256	9Y-4564	▶946		122
	873	9Y-1796	9		947	9Y-6576	5
	1425		17		948		9
	1472		▶1228	9Y-4888	▶448		12
	1530		▶1229		▶449		16
	1532	9Y-1847	153	9Y-4893	103		▶1191
	1557	9Y-1936	824	9Y-4957	407		▶1194
9X-8875	283	9Y-2051	816		409	9Y-6869	▶226
	284	9Y-2052	816		411	9Y-6870	▶228

PART NUMBER INDEX

Part	Page	Part	Page	Part	Page	Part	Page
9Y-6893	303		2047		1551		1169
	691		2050		1553		1171
	694	9Y-9776	1989		1555		1198
	1480	9Y-9782	2017	004-3935	1524		1199
9Y-6988	▶1230		2021		1557		1200
	▶1231		2025	004-5933	1489		1201
9Y-7158	329		2029		1499		1203
9Y-7159	329		2033		1502		1204
9Y-7167	1364		2038		1504		1485
9Y-7179	748		2041	004-7270	1526		1489
9Y-7759	303		2044		1528		1899
	526		2047		1530		1901
	1474		2050		1532		1919
9Y-7760	303	9Y-9783	2017	004-7626	1502		1921
	526		2021		1504		1923
	1474		2025	005-8160	897		1924
9Y-7841	6		2029		899		1928
	13		2033		961		1929
	▶1232		2038		964		1933
	▶1233		2041	005-9702	303		1935
9Y-7876	▶189		2044		684		1937
9Y-8067	752		2047		1478		1938
	754		2050	008-2699	1161		1940
	769			008-8381	304		1941
9Y-8175	20				684		1943
	22				1478		1945
	▶768			008-8694	563		1946
9Y-8389	320				564		1948
	322	000-7246	1541		568		1950
	1002		1545		569		1951
	1012		1547	009-4440	705		1952
	1014	001-5600	1023	012-5751	571		1954
	1016	001-6498	1506	022-3035	1161		1956
	1018	001-7042	1539	030-1193	1412		1958
	1234	001-9440	309	030-1707	1806		1960
9Y-8413	1921		1198	030-3978	304		1962
9Y-8414	1921		1199		690		1964
9Y-8415	1921		1200		1480		1966
9Y-8418	1926		1201	030-7941	652		1968
	1968		1203		1201	030-7947	1169
			1204		1361		1171
9Y-8445	1416		1835		1363	030-7949	1004
9Y-8474	1416		1839		1364		1016
9Y-8683	877	002-6453	467		1510		1018
9Y-8684	877		470		1522		1182
9Y-8733	1302		473		1899		1185
9Y-8943	303		845		1903		1188
	910		849		1923		1191
	1480		851		1924		1194
9Y-9111	5	003-8581	1004		1926	030-7957	1960
	9		1018		1928		1968
	13	003-9163	517		1929		2007
	16		518		1931		2009
	▶712		520		1941		2081
9Y-9175	116		521		1943	030-7961	1395
	117		575		1948		1483
	123		576		1950		1485
	124		578		1952		1487
	125		580		1954		1489
	143		582	030-7946	494		1962
	147		584		652		1966
9Y-9373	1416		586		654	030-7972	31
9Y-9587	432		588		985		34
9Y-9594	▶124		590		1004		38
	132		591		1018		304
9Y-9598	▶125		593		1033		1174
	145		1534		1047		1178
9Y-9771	2017		1537		1071		1477
	2021		1539		1079	030-7976	1524
	2025		1541		1087	030-7977	1174
	2029		1543		1097		1178
	2033		1545		1122		1191
	2038		1547		1130		1194
	2041		1549		1152	030-7982	304
	2044						

0

PART NUMBER INDEX

Part	Page	Part	Page	Part	Page	Part	Page
	1174		1596		1689		35
	1477		1598		1690		38
030-8307	703	032-1269	30		1694		2068
	1526		31		1695	062-5388	1348
	1528		34		1699		1448
	1534		35		1700		1449
	1537		38		1703		1454
	1539		453		1706		1455
	1541	032-2580	1031		1707	064-9020	1209
	1543		1033		1712	067-6495	1380
	1545		1064		1720		1382
	1547		1071		1724		1903
	1549		1072		1727		1905
	1551	032-3592	1806		1730		1907
	1553	033-2177	30		1733		1909
	1555		34		1739		1911
030-8535	282		38		1761		1913
030-8967	2001	033-6031	310		1764		1915
030-9613	1350		321		1767		1917
031-0249	2035		322	039-4317	1627		1918
031-4136	1016		362		1636		1928
	1021		364		1638		1929
031-4155	309		440		1640		1941
	450		442		1643		1943
	800		443		1646		1945
	2039		444	044-3994	1716		1948
	2042		446		1754		1950
	2045	033-6042	126	045-4065	1269		1951
	2048		135		1609		1954
	2051		137		1611		1958
031-4630	803		143		1612		1964
	807		147		1615		1972
031-5744	1534		534		1662	090-4719	1322
	1537		571		1665	091-0081	688
	1541		1361		1668		1534
	1543		1899		1671		1559
	1545	034-0728	1524		1724	095-0673	1627
	1547		1526		1727	096-3001	1430
	1549		1528		1730		1435
	1551	034-4160	26		1733	096-4833	1627
	1553		28		1736		1635
	1555	036-9821	1652		1739		1643
032-1267	190		1655		1742	097-5921	1784
	192		1658	051-4069	1625		2054
	534		1661	053-2294	407	097-7404	1847
	536		1664		409		
	571		1675		411		
	858		1680		413		
	1271		1685		415		
	1274		1690	053-4679	573		
	1277		1695	053-5065	35	100-3145	304
	1279		1700		38		871
	1281		1703		327		873
	1283		1707		329		1473
	1285		1712		331	100-3146	304
	1287		1720		333		871
	1289		1723		393		873
	1292		1726		398		1473
	1596		1729		400	100-3147	304
	1598		1732	061-7738	304		871
032-1268	858		1735		526		873
	1169		1738		1474		1473
	1171		1741	061-8114	961	100-3148	304
	1271		1761		964		871
	1274		1764	061-8639	1005		873
	1277		1767		1018		1473
	1279	036-9823	1652	061-9456	500	100-3149	304
	1281		1658		511		871
	1283		1674	061-9457	986		1473
	1285		1675		988	100-3237	1194
	1287		1679	061-9463	495		1206
	1289		1680	061-9593	30		1207
	1292		1684		31	100-3245	1871
	1506		1685		34	100-3638	1350

1

PART NUMBER INDEX

Part	Page	Part	Page	Part	Page	Part	Page
	▶1438		▶155		938	104-4767	91
100-3877	304	101-0831	20		939		94
	428		22		940		380
	430		▶106	102-0294	▶908	104-6202	1848
	1475	101-0832	292		953	104-7287	2017
100-3878	304	101-1198	127	102-0296	▶909		2021
	428		304		943		2025
	430		1475		944		2029
	1475	101-1227	▶116		945		2033
100-3879	304		137	102-2240	1835	105-0253	113
	428	101-1241	▶117		1839	105-0254	113
	430		126	102-3540	▶285	105-0255	113
	1475	101-1244	▶126	102-7532	1591	105-0256	113
100-3880	304	101-1247	22	102-8634	291	105-0257	113
	428		▶1174		293	105-3045	285
	430	101-1260	22	102-8802	1577	105-3762	1314
	1475		▶684		1581		1317
100-4095	▶814	101-1268	284		1623		1319
	907	101-1269	20		1819	105-4656	▶402
	908		22	102-8803	1566		2140
	909		▶283		1567	105-4657	▶403
100-4324	▶170		▶284		1572		2140
	171	101-1364	266		1573	105-7542	1866
	184		304		1574		1869
100-4325	▶170		1476		1575	106-3512	650
	341	101-1365	266		1810	106-4586	22
	388	101-1366	266		1835		▶44
100-5566	1866		304		1839	106-5078	899
	1869		1476	102-8804	1428	106-5164	1996
100-5805	1430	101-1367	266		1430		1998
	1435		304	102-8806	1440	106-5169	▶1996
100-5861	899		1476		1444	106-5171	▶1998
100-6165	1481	101-1368	266		1993		2000
100-6531	1307	101-1369	266		1994	106-7408	2118
	1309		304		1995	106-8551	▶1652
	1311		1476		2051		1744
	1313	101-1370	266	102-8808	1440	106-8554	▶1655
	1316		304	102-8810	1440		1746
	1319		1476	102-8816	1877	106-8943	▶1374
100-6532	1313	101-1372	266	103-0174	1911	106-9819	1867
	1316		304		1915		1870
	1319		1476	103-1582	▶2105	106-9926	2017
100-6816	907	101-2862	348	103-1836	2017		2021
	908		354		2038		2025
	909	101-4135	1194	103-1837	1813		2029
	912	101-4197	106		2018		2033
	914		304		2022		2038
	916		1475		2026		2041
	924	101-4199	304		2030		2044
	925		309		2034		2047
	929		440	103-6101	▶1887		2050
	931		444	103-6197	2018	107-0278	20
	933		450		2022		22
	934		1475		2026		▶100
100-7886	135	101-5003	1877		2030	107-0475	20
100-8075	457	101-8238	▶967		2033		22
	463		1031		2038		▶686
	496		1033		2041	107-0861	22
	500		1064		2044		▶860
	503		1071		2047	107-0997	▶1658
	506	101-8678	614		2050	107-1727	614
101-0222	1877		615	103-6272	2034		615
101-0225	▶1877	101-8679	614		2091	107-1728	▶614
	2017		615	103-8975	▶2091	107-1729	▶614
	2021		629	104-1718	714	107-1730	▶615
	2025	101-9798	2017		719	107-2477	272
	2029		2021		721	107-2482	1867
	2033		2025		740		1869
	2038		2029		744	107-2853	2001
	2041		2033	104-2183	1996	107-2855	1
	2044	102-0050	1587	104-3651	1440		▶2001
	2047		▶1588		1444	107-3759	304
	2050		1887		1445		801
101-0830	22	102-0291	▶907		2052		802

PART NUMBER INDEX

Part	Page	Part	Page	Part	Page	Part	Page
	1475		526		1472		2045
107-4910	740		528	10R-2010	▶149		2048
	744		530		157		2051
107-5565	719		532	10R-3139	1475	111-1349	541
	721		684	10R-4343	1480		545
	744		697	10R-7765	▶157		2129
107-5696	1877		1016		1476		2134
	2039		1174	10R-8619	362	111-2077	304
	2042		1178	10R-8844	364		860
	2045		1237	10R-9762	1		1472
	2048		1239		▶1472	111-2078	304
	2051		1474	110-0096	2135		860
107-5856	1866		1477		2138		1472
	1869		1478	110-6606	52	111-2081	356
107-5857	1867	108-3190	▶1810	110-6844	1444		358
	1870	108-3561	52		2051		360
107-5907	1877	108-4877	714	110-6845	1444	111-3388	304
	2039	108-8127	1877		2051		1174
	2042		1878	110-6991	155		1178
	2045	108-8500	1882		159		1477
	2048	108-9342	814		165	111-3389	304
	2051	109-2332	304		295		1174
107-6864	304		318		298		1178
	871		319		316		1477
	1473		449		362	111-3684	309
107-7184	22		457		364		1835
	▶871		463	110-6992	137		1839
107-7186	22		496	110-6993	116	111-3812	356
	▶910		500	110-6994	127	111-3820	318
107-7196	22		503		137		319
	▶801		506	110-6995	304		457
107-7289	1866		611		690		463
	1869		1477		693		496
107-7330	366		2129		1480		501
	368		2131	110-8314	311		503
	372		2134		871		506
	376		2136		873		2131
107-7331	366	109-3038	1440	110-8714	1444		2136
	368		1444		1828	111-3824	304
	372		1445		2055		684
	376		1821		2085		1478
107-7332	366		1822		2086	111-3825	304
	368		1823	110-8909	1866		684
	372		1824		1869		1478
	376		1825	110-9211	▶1408	111-4374	778
107-7333	366		1826	110-9538	304		784
	368		1827		690		1481
	372		2030		693	111-4399	1627
	376		2051		1480		1637
107-7334	366		2052	111-0349	304		1640
	368	109-3481	814		1368		1643
	372	109-5916	616		1370		1646
	376		639		1474	111-5052	304
107-7335	366	109-5917	635	111-1323	1867		690
	368	109-6507	1350		1871		1480
	372		1866		2017	111-5056	304
	376		1869		2021		690
107-7348	500		2017		2025		693
107-7954	304		2021		2029		1480
	310		2025		2033	111-5822	837
	871		2029	111-1324	1867	111-8276	304
	873		2033		1870		686
	1473		2038		2017		1478
107-8758	803		2041		2021	111-8277	304
	807		2044		2025		686
107-8759	803		2047		2029		1478
	807		2050		2033	111-8639	455
107-8760	803	109-7411	304		2042		463
	807		846		2045		473
107-8769	1607		860		2048	111-8684	2055
108-1290	▶171		1472		2051	111-9374	304
108-1434	301	109-8932	1458	111-1325	1350		686
	308		1470		2039		1478
	495	10R-1072	▶769		2042	112-1567	310

PART NUMBER INDEX

Part	Page	Part	Page	Part	Page	Part	Page
112-3540	846 313 318 319 536 844 2132		240 256 1432 204 214 240 256		914 356 453 154 43 304 1475	120-4504	1 2086
112-3588	1866 1871	116-2652	1432	118-4609	356	120-4510	1445 2052
112-3589	883	116-3242	204	118-5542	453	120-6881	1881 2018 2038
112-3590	883		240	118-9491	154	120-7420	605 607
112-3596	1244	116-3249	304	119-0838	43	120-7421	688 708
112-3597	1242 1244		690	119-0839	43	120-7422	22 690
112-4387	1368		1480		304	120-7425	305 690 1480
112-4921	20 22 455		1537	119-0977	1825	120-7532	911 1428
112-4922	22 1002		1543	119-0978	1825	121-0200	1428
112-6033	20 450	116-7010	22	119-3662	1345	121-0817	1865 2055
112-6597	1607		1545		1431	121-1110	1345
112-9708	714		1547	119-5659	2001	121-2022	305 690
112-9709	714		1549	119-6282	1511	121-2023	305 690
113-4634	458 460 467		1551		1513	121-2630	1164 1213
113-4649	1		1555	119-6283	1512	121-3321	22 1368
113-8432	406		1555	119-6284	1483	121-3328	1867 1869
113-8433	406		1870		1487	121-3555	22 86
114-0355	1895 1896 1897		1870	119-7333	304	121-3563	1213 2055
114-1142	1867 1870		86		784	121-4101	2085 2085
114-1143	1867 1870		88	119-7334	21	121-4102	1865 2086
114-2040	304 690 693		304		22	121-4705	2091 1979
114-2410	1865 2055 2085		1476	119-7733	2038	121-4710	2000 2000
114-2411	356		1835		2041	121-4711	2000 2054
114-2413	356 358		1839	119-8398	2038	121-4712	1980 1981
114-2414	360		1576	119-8399	2038	121-4716	1980 1981
114-2505	1482		1976		2044	121-4717	1981 2039
114-3372	266 304 1476		1976	119-8400	2041	121-4721	2039 2042 2045
114-3376	20 22 688		1580		2050		2048 2051
114-5477	1174 1178 1194		117-8766	119-8401	2038	121-4722	2039 2042 2045 2048
114-8843	1428		117-9308		2041		2051
114-9437	6 10 14 18		309	119-9443	275 276	121-5487	457 457
115-1322	1866 1869		1824		2038	121-5736	313 362 364
115-2538	1866 1869		1824	120-0238	2041		844 913
115-7841	457		1824		2044		915
115-9609	1819		1821	120-0568	1847		920
116-1359	320		118-0175		1848		926
116-1365	204 214		2	120-4244	1480		939
			3	120-4339	43		940
			1879	120-4344	304		945
			1880		690		950
			1898	120-4493	1		953
			1898		1847		955
			3	120-4498	1		2133
			1880		1817		
			815		1818		
			912	120-4503	1		
					2085		

PART NUMBER INDEX

Part	Page	Part	Page	Part	Page	Part	Page
121-9839	167					126-7490	2017
122-3203	1869						2021
122-3214	714	124-5572	24				2025
122-3374	305		26				2029
	846	124-8395	20				2038
	860		22				2041
	1473		▶266	126-3085	1160		2044
122-3375	305	124-9437	1242	126-3086	1974		2047
	860		1244	126-3087	▶1440		2050
	1473	125-0171	2038		2038	126-7491	2017
122-3376	305		2041		2041		2021
	860		2044		2044		2025
	1473		2047		2047		2029
122-6585	1826	125-2061	▶816	126-3088	2000		2033
122-6586	1827		911	126-3089	2000		2038
122-6587	1821	125-2784	305	126-3093	2039		2041
122-6588	1821		526		2042		2044
	1822		528		2045		2047
122-6589	1822		1474		2048		2050
	1827	125-2785	457	126-3094	▶1440	126-7492	2017
122-6590	1822	125-5178	1974	126-3095	▶1440		2021
122-6591	1823	125-6347	▶1899		2039		2025
122-8856	298	125-6348	▶1901		2042		2029
	305	125-6351	▶1903		2045		2034
	320	125-6533	1733		2048	126-7497	1974
	686		1739	126-3096	▶1440	126-7499	2017
	1478	125-6535	1662		2039		2021
123-0316	1428		1665		2042		2025
	1430		1668		2045	126-7574	1406
	1870		1671		2048	126-8472	1874
123-3395	1867		1733	126-3097	▶1441	127-0594	2003
	1870		1736	126-3101	2017	127-2176	295
123-6868	453		1739		2021		298
123-8206	▶325		1742		2025		316
123-9693	1031	125-6536	1662	126-3103	1160		362
	1033		1733		▶1441		364
123-9694	1867		1736		2017		686
	1870		1739		2035		712
124-0059	▶1524		1742	126-3104	▶1441	127-2331	1866
124-0111	▶714	125-6537	1662		2017		1869
	748		1733		2021	127-2378	814
124-0174	1899		1739		2025	127-4641	1867
124-0284	428	125-7874	1411	126-3105	▶1441		1871
	1447		1428	126-4175	10	127-5398	1867
124-0326	▶1589		1431		13		1871
	1819		1436		18	127-5400	38
124-1858	2131		1828		▶2129		194
124-1961	305	125-7875	1431	126-4183	10		196
	1477		1436		14		200
124-3173	▶1031		1445		18		202
	1045	125-9750	268	126-5485	▶2055		204
	1143		270		2087		206
124-3174	▶1033		272	126-5486	▶2003		208
	1039	125-9751	266		2087		210
	1141		304	126-6110	▶24		214
124-3176	1350		1476	126-7488	2017		216
	1867	125-9794	312		2021		218
	1870		358		2025		220
	2021		360		2029		222
	2025	125-9969	1445		2033		224
	2029	126-0577	442		2038		240
	2033		443		2041		245
	2042	126-1655	1865		2044		249
	2045		2055		2047		256
	2047	126-1767	1577		2050		260
	2050		1581	126-7489	2017		262
124-4273	457	126-1768	1431		2021		264
124-4477	2038	126-1774	1445		2025		393
	2041	126-2209	305		2029		397
	2044		871		2038		398
	2047		1473		2041		728
	2050	126-2210	1867		2044		730
124-5505	457		1870		2047		732
124-5512	22	126-3084	▶1439		2050		748

PART NUMBER INDEX

Part	Page	Part	Page	Part	Page	Part	Page
	750		1985		85		1869
	752	130-3327	1985	133-6270	107	135-0178	▶913
	754	130-3328	1983		108	135-5009	1565
	766	130-3329	1987		442		1591
	769	130-3332	▶1984		443	135-5101 913
127-6260	1457		1985		451		▶914
	1469	130-3333	▶1985	133-6350	1881	135-6910	1031
127-8129	▶1819		1988		▶1882		1033
127-8660 783		2058		1883	135-6912 305
	784		2060		1885		860
	790		2061	133-6351	▶1883		1473
127-9068	1160	130-3349	▶1986		2022	135-6913 305
127-9070	2018		1987		2041		860
	2022		1989	133-6461	▶453		1473
	2026		1990	133-6484 309	135-8812 18
	2030		1991	133-8382 305	135-8813 10
	2034		1992		686		14
	2039	130-3350	▶1987		1478		18
	2041		2061	133-9302 891		▶2129
	2044	130-6797	1428	133-9306 152	135-9941 307
	2048	130-9715	1879		157	136-0991	▶2017
	2051		1880		161		▶2021
127-9867 939	130-9716	1882		163		▶2025
	944		1883		296		▶2029
	948	131-0420	155		297		▶2033
128-0115	1823		159	133-9308	1866	136-3376	2038
128-0795	1826	131-0421	155		1869		2041
128-2507	1874		159	133-9309 967		2044
128-3147	1874	131-1958	▶1988	133-9313 455		2047
128-3326	▶1563	131-1960	▶2057		457		2050
	2054	131-1961	▶2058		460	136-3798	2017
128-4845 113	131-1962	▶2059		463		2021
	114	131-1963	▶2060		468		2025
128-5988 451	131-1965	▶2061		471	136-3799	▶1441
128-5993 46	131-4345	1031		473		2017
	311		1033	133-9314 940		2021
128-6786 113	131-4731	1430		945		2025
	114		1435	133-9850	1879		2029
128-9506 305	131-5454	1160		1886		2034
	871		▶1373	134-0073 1	136-5923	2001
	1473		1974		▶1835	136-7227 310
129-1966	1444	131-9118	1819	134-0074 1		313
129-2269	1819	131-9119	▶2087		▶1839		320
129-2300	1899	132-6469 300	134-2252 1588		844
129-2301	1899		428		▶1590		2132
129-2302	1901		430	134-3098	1526		2137
129-2303	1901		▶1447		1528	136-7817	▶2038
129-2304	1903		1475	134-3100	1526		▶2041
129-2305	1903	132-7551	2145		1528		▶2044
129-3021 891	132-8276	1866		1534		▶2047
129-3083 305	132-8488	1870		1539		▶2050
	690	132-8900	1368		1553	136-9145	1526
	693		▶1405	134-3241	▶1587		1528
	1480	133-1207	1580	134-3530	▶616	136-9369	▶1526
129-3096	1031	133-2966 49		640		▶1528
	1033	133-3822	1869	134-3533	▶617	136-9370	▶1530
129-4181 436	133-3917	▶1566		640		▶1532
129-4863 818		1587	134-3734	▶619	136-9476	1530
129-7563	▶1627		1887		634	136-9635	▶915
129-9528 305	133-3954 816	134-3735	▶620	136-9636 457
	860	133-5981 348		634	137-0259	1826
	1473		354	134-3804 854		2039
130-2366 744	133-6261 84		862	137-1352	2042
130-2607 149		85		868		2045
	150		87	134-4126	1406		2048
130-2608 149		426	134-5402	▶912		2051
	150	133-6265 107		915	137-5525	▶1884
130-2613 167		108	134-5573 616		1898
130-3324	▶1982		442	134-5645 518	137-5549 905
	1983		443		520		906
130-3325	▶1983		451		523	137-5550 905
	2057	133-6268 87	134-6258	1432		906
	2058		426	134-6275 308	137-5551 905
130-3326	1983	133-6269 84	134-6538	1866		906

PART NUMBER INDEX

Part	Page	Part	Page	Part	Page	Part	Page
137-5552 905	143-5170 656	146-3740 ▶172		297
	906		662		185	149-4156 719
137-5553 ▶905		664	146-6769 719		721
	▶906		666		721	149-4311 719
137-5554 ▶809		668	146-8944 10		721
137-5557 809		670		13	149-4312 719
137-6857 467		680		17		721
137-8219 309		682	146-8947 10	149-5462 777
	693	143-5171 656		14	149-6031 114
138-1729 ▶1620		662		▶2131	149-6032 114
138-1778 1884		664	146-8948 10	149-6033 114
138-1967 ▶1813		666		14	149-6034 114
138-2887 26		668		18	149-6035 114
	28		670	147-0183 10	149-9297 449
138-6614 ▶1974		680		14	149-9298 358
138-6615 ▶1160		682	147-0184 10		360
138-8186 ▶1974	143-5180 905		14	150-4157 495
138-8506 372	143-5181 905		18	150-4213 38
	376	143-5183 905	147-1443 1430	150-5146 24
139-1398 308	143-5184 905	147-3738 ▶798	150-7972 323
139-1568 1618		906	147-3745 1206	151-9228 ▶274
139-1575 955	143-9207 717		1207	151-9263 172
139-8537 ▶1865	143-9208 717	148-7983 719		173
	2087		724	148-7984 719	151-9264 104
139-8548 ▶2087	144-0502 26	148-7985 719	152-0596 ▶881
139-8549 ▶2087		28		721	152-1005 38
139-8551 ▶1848	144-0503 26	148-7986 719	153-1223 1430
140-2988 940		28	148-7987 719		1435
	945	144-0725 366		721	153-2707 1432
140-9597 196		368	148-7988 719	153-4906 1522
	210		372		721		1901
	224		376	148-7989 719		1903
	249	144-0742 ▶26	148-7990 719		1952
	264		38	148-7991 719		1954
	320	144-2159 1526		721		1956
141-0812 ▶1442		1528	148-7992 719	153-9481 308
141-0813 ▶1442	144-5692 127		721		693
141-0814 ▶1442		295	148-7994 719	153-9963 310
141-0815 ▶1442		298		721		693
141-0816 ▶1442		316	148-7995 719	154-1581 455
141-0817 ▶1442		362		721		463
141-0818 ▶1443		364	148-7996 716		473
141-0819 ▶1443	144-5695 366		723	154-1584 436
141-0820 ▶1443		368	148-7997 716	154-1612 ▶150
141-0821 ▶1443		1480		723		161
141-0822 ▶1443	144-6074 717	148-7998 719	154-1616 305
141-2064 2021		724		721		686
	2025	144-6076 717	148-7999 719		1478
	2041		724		721	154-1617 305
	2044	144-6080 ▶716	148-8000 716		686
141-5085 ▶2		717		▶719		1478
141-6749 1	144-6081 ▶717	148-8001 793	154-3254 1430
	22	144-8263 196	148-8002 793		1435
	▶883		210	148-8003 793	154-6389 305
141-6751 22		224	148-8004 793		428
	▶526		249	148-8005 716		430
141-7047 ▶878		264		723		1475
141-7116 333	144-8274 891		▶793	155-0461 305
141-7143 440	144-8275 ▶891	148-8006 716		1368
141-9280 883		903		723		1474
141-9281 883		1595	148-8007 ▶495	155-0576 309
141-9285 305	145-2362 ▶1567	148-8352 1543		1370
	688		1587		1549		1371
	1479		1887		1553	155-0726 323
142-0038 1543	145-4684 10		1555		324
	1549		14	149-1981 149	155-1690 455
	1551		18		150		463
	1555	145-7813 10		296		470
142-4159 348		14	149-1982 152		473
	354		18		157	155-2260 1432
143-0497 1		▶2130		161		1444
	▶1866	145-7815 10		163		1568
143-0498 1		14		167		1569
	▶1869		18		296		1570

PART NUMBER INDEX

Part	Page	Part	Page	Part	Page	Part	Page
	1571		▶1207		463		1277
	1580	157-0443	455		473		1279
	2051		463		503		1281
155-2261	1578		470		506		1283
155-2263	1578		473		603		1285
	1583	157-2792	▶1784		693		1287
155-2265	1869		2029		748		1289
	1870		2033		833		1292
	1877		2047		839		1596
	1878		2050		1541		1598
155-2270	428	158-4240	▶1788		1543	172-0265	▶1252
	1431	158-6168	▶3		1545		1277
	1445	158-6170	▶3		1547		1279
	1447	158-6174	2029		1549		1281
	1578		2033		1551		1283
	1582	158-6176	2047		1555		1285
	1847		2050	165-7573	10		1287
155-2271	1428	158-6181	3		14		1596
	1431		▶1563	166-4116	310		1598
	1870	158-6255	1866		528	172-0269	1279
155-2274	1444		1869	166-4173	1418		1283
	1456		▶1888	166-4374	651		1287
	1578	159-1190	1835		770		▶1304
	1583	159-1191	1839	166-4376	770		1598
	2051	159-1798	1879		774	172-0271	1252
155-2563	▶87	159-9322	1430	166-5944	167	172-0272	1252
155-2564	▶84		1431	166-5945	149		1254
155-2565	▶107	159-9496	1428		150	172-4288	1201
155-2566	▶108		1431		296	172-6355	1445
155-2567	▶425		1432	166-6929	1866	172-7669	2051
	426		1435		1869	172-7670	2051
155-2568	442		1436		▶1993	172-7671	2052
155-2569	107	160-7086	1471	166-6936	1866	173-0469	▶1444
155-2571	108		1630		1869		2029
155-2572	443		1633		▶1994		2033
	451	160-7690	1431	166-6940	1871	173-0471	▶1445
155-2573	84		1445		▶1995		2029
155-2574	85	160-8761	1623	166-9275	▶1444		2033
155-2575	87	160-8766	1623		2029	173-1800	▶1301
155-2583	▶85	161-2513	573		2033	173-5413	1869
155-2584	▶442	161-6934	470	168-6357	454	173-7181	1996
155-2585	▶443	161-9926	▶1568	169-2182	1463		1998
155-2586	▶426		1835		1464		2000
155-2589	617		1839		1465		2029
155-2590	617	162-0589	1445	169-7294	1418		2034
	632	162-7662	1866		1420		2051
	636		1869	169-8612	1012	174-0503	1430
	641		▶1874		1016		1435
155-2591	617	163-7882	1835	169-8613	1018	174-1435	1867
	632		1839	169-8614	1018		1870
	636	164-7572	24	169-8615	▶1242	174-4290	1982
	641	164-8923	▶1885		1248		1987
155-2592	617		2026	169-8617	1242		1990
	632		2030	171-1359	274	174-7088	305
	636		2034	171-4571	▶173		1174
	641		2044		342		1477
155-2593	1410		2047		389	175-4981	719
	▶1852		2050	171-5349	1576		721
155-2594	▶451	164-8926	1299		1577	175-4982	719
155-2596	617	165-3929	91		1581		721
	632		92		1582	175-4983	719
	636		94		1586		721
	641		305	172-0259	▶1277	175-4984	714
155-4094	305		307		▶1279		719
	428		503	172-0260	▶1281		721
	430		506		▶1283	175-4985	714
	1475		693	172-0261	▶1285		719
156-9748	1206		846		▶1287		721
	1207		873	172-0262	▶1596	175-4986	714
156-9753	1174		1380		▶1598	175-6716	744
	1178		1398	172-0263	1252	175-7748	3
	▶1206		1976		1254		▶1828
156-9754	1174	165-3931	307	172-0264	1271	176-2943	1431
	1178		455		1274		1435

PART NUMBER INDEX

Part	Page	Part	Page	Part	Page	Part	Page
	1847	191-8390	▶845	202-2141	1430	206-0244	▶1822
176-3226	573	191-8395	1420		1436	206-0245	▶1823
176-7503	300	191-8396	1348	202-2700	1307	206-0246	▶1823
	1405	192-3829	1445		1309	206-0247	▶1824
	▶1406	192-3830	1445	202-2708	1311	206-0248	▶1824
177-1061	1543	193-2120	309		1307	206-0249	▶1824
	1549		693	202-2762	1361	206-0250	▶1825
	1551	193-3282	366		1311	206-0251	▶1825
	1555		368		1901	206-0252	▶1826
177-8845	1630	193-3286	305		1907	206-0253	▶1826
	1633		1477		1915	206-0479	1821
177-8847	1633	193-3288	187		1952		1822
177-9116	1532	194-4897	157		1956		1823
178-3339	1828	194-5226	1568	202-2783	1309		1824
	1869		1569		1311		1825
179-1510	309		1570	202-2784	1307		1826
180-3927	1256		1571		1309		1827
180-9214	1431	194-5227	1568		1311	206-2587	1578
	1435		1569	202-2785	1307	206-2588	▶1578
180-9339	1572		1571		1309	206-2711	1370
183-5974	1532		1580		1311		1371
183-8809	151	194-6722	▶1569	202-2786	1307		▶1407
	296		1573	202-2787	1307	207-1332	833
	297	194-6724	▶1570		1309	207-1354	362
184-2472	309		1574		1311	207-1364	305
	1407		1835	202-9897	1307		871
185-0091	816		1839		1309		873
185-3630	2149	194-6725	▶1571		1311	207-2018	1473
186-3165	2030		1835	203-2158	470	207-4476	▶1828
	2034		1839	203-8944	1430	209-3559	▶407
	2052	194-9584	1164		1435	209-3560	▶409
186-3166	1867		1167	203-8945	1430	209-3561	▶411
	1871		1230		1435	209-3562	▶413
	2030		1231	203-8977	1428	209-5216	1629
	2034		1233		1431		1632
186-3735	1566	195-2637	2034		1435	20R-0044	362
	1573	196-4795	436	203-8993	1343	20R-0049	364
	1574	196-5052	305	203-8995	1343	20R-1270	1481
	1575		690	203-8996	1343	20R-1626	1475
	1586		1480	203-8999	1345	20R-2353	1476
	1819	196-5053	305		1428	20R-2354	1476
	1835		690		1431	20R-2355	1476
	1839		1480		1435	20R-2356	1476
	1993	196-9530	114		1436	210-2531	913
	1994	197-6995	152	203-9000	1345		915
	2055		157		1428	210-2532	305
186-3736	428		161		1431		871
	1445		163	203-9001	1345		1473
	1456		296		1428	210-2535	311
	1877		297		1431		1178
	1878	197-7008	127		1435	210-2542	157
187-2034	1307	197-7055	157		1435	210-8602	▶393
	1309		161		1436	210-8958	1345
	1311		163	203-9007	1428		1431
187-4606	305		296		1431		1436
	690		297		1432		1573
	1480	197-7347	2095		1435		1574
187-7738	155	197-7348	2096		1436		1579
	159	197-8832	1482	203-9203	822	210-9035	▶1343
188-4701	348	199-5598	▶810	204-0241	1497		1344
	354	199-5601	1343	204-5166	▶1849	210-9214	▶394
189-5746	▶1577			204-5447	366	210-9215	▶395
	1578				368	211-0640	1563
	1835			204-9552	2033		2033
	1840			204-9553	2033	211-2261	815
190-0388	814	200-2003	436	205-4825	1629	211-4317	1343
190-0390	822	200-5719	1482		1632	211-7826	120
	922	200-5722	1482	205-4827	1629		1480
190-0392	922	200-6504	▶1457		1632	212-0862	2034
190-1670	2127		▶1458	206-0240	▶1821	212-3221	1430
190-8920	766		▶2132	206-0241	▶1821		1435
190-8921	774	201-1519	▶2132	206-0242	▶1822	212-3222	1431
191-8389	845	202-2099	1345	206-0243	▶1822		1435

PART NUMBER INDEX

Part	Page	Part	Page	Part	Page	Part	Page
212-3423 307	218-4935 1445		697	233-9228 1428
	▶1591	219-0280 ▶2134		807		1432
212-3426 307	219-3240 643		1479		1436
	▶1579		645	230-2620 305	233-9229 1436
212-8169 ▶750	220-2677 20		306	233-9230 1436
	760		▶1370		428	233-9232 1431
212-8177 ▶770	220-7173 961		430		1436
	777	222-4059 85		1474	233-9233 1431
212-8179 750	222-5152 ▶651	230-2621 305		1436
	752		770		428	233-9234 1436
212-8180 651	222-5153 ▶651		430	233-9235 1428
	770	222-9921 283	230-2633 305		1432
212-8183 750		305		428		1436
	752		1475		430	233-9237 1432
	754	223-1696 121		1475		1436
212-8184 651	223-4287 815	231-5867 358	233-9494 1428
	770	223-4288 815		360	233-9495 1428
212-8187 651	223-4289 815	231-6133 1309	233-9517 1428
214-0728 643	223-4291 815		1311		1430
	645	223-6361 366	231-7069 20	234-4182 1211
214-0729 643		368		▶1371		1212
214-0731 305		1480	231-7070 308		1213
	690	223-6470 1563		1371		1216
	1480		2033	231-9863 1345		1229
214-3522 1870	223-7267 1563	231-9864 1345		1231
	2085	224-9869 22	231-9866 1345		1233
	2086		▶428	231-9892 1345	234-8723 20
214-5165 1430	225-3227 611	231-9897 1428		▶1178
	1435	225-4256 783		1432	234-8788 1345
214-6045 832		784		1436	234-8937 91
214-6066 1480		790	231-9898 1430		92
214-7566 150	227-0056 309		1435		94
	151		528	231-9899 1428		314
	296	227-3801 172		1436		318
	297		173	231-9915 1436		319
	315	227-8133 1998	231-9999 307		2132
	321	228-7091 310		▶1345	235-2484 38
	322		528	232-0019 1430		333
	494	228-7097 305		1435		393
	1175		318	232-0893 1432		398
	1178		319		1436		400
	1201		321	232-0894 1430	235-2761 1430
	1897		496		1435	235-2765 1432
	1946		503	232-0900 1430	235-2768 ▶1344
	2138		506		1435		1345
214-7568 127		1477	232-4442 883	235-2771 1430
	295		2137	232-4443 883	235-2773 1430
	298	228-7103 310	232-4448 883	235-2774 1435
	310		528	232-4449 883	235-2775 1430
	312	228-8926 358		885		1435
	316		360		887	235-2776 1430
	321	229-3558 922	232-4674 1411		1435
	322	229-5332 305	232-4675 1411	235-3546 82
	362		871	232-5235 887		100
	364		1473	232-5236 887		102
	536	229-5333 305	233-0643 233		194
	1175		1473	233-0644 235		200
	1178	229-5837 ▶1826	233-8525 717		204
	2137	229-5838 ▶1827		724		210
215-9090 309	229-8875 358		732		214
	697		360		748		216
216-2612 ▶2133	229-8876 360	233-9216 1430		218
216-6217 300	229-8877 358	233-9218 1430		224
	▶643	229-9407 1309		1435		249
	690	230-1072 305	233-9219 1428		256
	1480		309		1436		264
216-8684 ▶1572		312	233-9220 1435		305
	1887		320	233-9221 1428		315
217-0136 1319		322	233-9224 1430		760
217-6692 309		362	233-9225 1436		768
	440		364	233-9226 1431		1472
	444		654		1436		2130
	446		688	233-9227 1431		2135
217-7164 2034		690		1436		2138

PART NUMBER INDEX

Part	Page	Part	Page	Part	Page	Part	Page
235-3548	39	240-7032	305	611	253-2122	1262	
	730		362	2131	253-2468	▶41	
235-4434	▶483		364	2136	253-4775	2
236-7227	2131		428	247-4696	20	506	
236-7941	1430		430		▶444	253-4777	496
	1435		1475	247-8340	43	253-6217	308
236-7942	1428	241-5928	298	247-8341	▶43	254-0331	1345
236-8125	1436		305		300	254-5434	1428
236-8126	1430		316		428	254-7277	▶1262
	1435		686		430		▶1263
236-8130	1430		1478		1475	254-7278	1262
	1435	241-6244	1267	248-2432	54	254-7279	1262
237-1962	▶1661		2145	248-2857	▶721	255-8691	1246
	▶1664	241-8266	1428		723	255-8692	1246
237-2712 305		1436	248-2858	▶723	257-2719	1445
	1174	241-9399	1346		724	257-5884	▶598
	1477	242-6277 20	248-5503	1262	257-5885	▶1856
237-2713 305		▶496		2145	257-5886	▶1859
	1174	242-7983	1724	248-5513 320	257-5887	▶1264
	1477		1727		322	258-1086 20
237-2715	1237		1730		650		▶802
237-2718	1239	243-2288 298	249-0059	54	258-8952	1534
237-3859	▶2148		305	249-3127	1784		1539
237-3860 596		320	249-8926	2145		1553
	597		686	250-1496	1174	258-8955	1534
	598		1479		1178		1537
	601	243-5065	▶1886		1237		1541
	602		1898		1239		1545
	888	243-5752	▶1592	250-1497 526		1547
	1257		1817		530	259-2608	1534
	1259	244-0478	▶595		532		1539
	1260	244-0479	▶596		1174	259-4598 82
	1263	244-0480	▶597		1178		100
	1264	244-2478	▶1257		1267		102
	1267	244-6567	▶1259	250-1498 526		194
	1362	244-6568	▶1260		530		196
	1562	245-0522 308		532		200
	1856	245-0523 308		1267		204
	1859	245-2876 784	250-1499	1174		210
	2145		790		1178		214
	▶2148	245-3512 362	250-1500	2145		216
238-5080 305		364	250-1946	1345		218
	318		832	250-1947	1345		224
	321		834	250-3444 44		250
	322		844	250-8279	1655		256
	362	245-4622 309	251-1255 595		264
	364		802		1257		315
	526	245-4907 309		1259		321
	613		1165		1263		393
	1174		1166		1267		398
	1178		1211		2145		732
	2136		1212	251-9436 534		748
238-5081 310		1481		536		2130
	321	245-4908 309	252-1731 1563		2137
	322		1165		2033		2138
	528		1166	252-1732 1563	259-4600 320
	1174		1211		2033		2129
	1175		1212	252-8374 305		2134
	1178		1481		313		2137
239-5374	1430	246-0456	▶2145		314	260-8660	▶724
239-5375	1430	246-2932	1430		318	261-0195 43
239-5790 748		1435		319	261-6847 1565
239-5794	1345	246-2946 2145		362		1835
239-5894 815	246-2947 2145		364		1839
239-6337	1431	246-2948 2145		526	261-7291 885
	1436	246-2949 2145		528	261-7293 885
239-6808 308	246-2950 2145		530	261-7294 21
	846	246-6506	1430		532		▶885
239-7337	2071	246-7964 2145		844	261-7296 308
	2075	247-0308	▶54		1474		693
239-8154	1430		55	252-9298	1832	262-4378 726
240-6651 20	247-2954 2145	253-1238 366		750
	22	247-3796 318		368		752
	▶127		319	253-2120	1262		754

PART NUMBER INDEX

Part	Page	Part	Page	Part	Page	Part	Page
	769		312	281-6139	22	287-3390	2145
262-6104	308		320		▶366	287-7199	922
	450		426	281-6141	20		928
263-6679	436		427		▶368	287-7200	922
263-7751	▶1629		2137	281-6159	305	288-4677	1411
	1630	272-0760	106		428	288-4678	1411
263-8955	366		108		430	288-6174	275
	368		305	282-0917	▶1445		276
264-0450	464		310	282-4134	311	289-2090	20
	496		440		697		▶693
	503		443	282-4140	311	289-3571	311
	507		444		528		697
264-3073	307		450	282-4141	311	289-9745	151
	645		451		528		296
264-3074	▶1562		1475	282-4142	311		297
264-8272	688	273-3553	152		528	290-1351	▶151
265-7537	428		157	282-4144	311		163
	430		161		528	290-7161	▶882
265-7538	428		163	282-4145	311		889
	430		296		697	290-8203	641
265-8040	▶109		297	282-4146	311	290-8204	636
265-8041	109	273-3554	152		697	290-8205	632
266-1520	▶1534		157	282-4159	309	291-4309	752
266-1523	1534		161		873		754
266-7227	▶1307		163	282-4165	307	291-4311	▶752
266-7484	▶1537		296		697		768
267-7346	1537		297	282-4202	20	291-8247	1307
	1541	273-5041	▶1580		▶528	291-8253	1307
	1545		1835	282-4209	308	291-8263	1307
	1547		1839		528	291-8271	1307
267-9689	1002	274-0053	20	282-7944	306	291-8274	1307
	1014		▶1216		428	292-3815	1307
268-0028	311	274-5013	▶1267		430		1309
	693	275-5735	778		1475	292-4331	882
268-5727	275	275-5736	778	282-8217	306		887
268-6475	▶55	275-7901	778		801	293-0007	621
269-1881	419	276-3875	152		1475	293-0008	624
269-7885	318		157	282-8537	▶645	293-0009	627
	319		161		693	294-2319	1772
	2131		163	283-1107	1655		1777
	2136		296	283-1706	922	294-4935	750
271-4926	651	276-3876	152		928		752
	2135		157	283-4294	922	294-9052	783
	2136		161		928		784
271-7761	20		163	283-5732	46		790
	▶88		296		308	295-5458	783
271-9270	▶275		297	283-5738	46		784
272-0757	107		297		308		790
	109	276-4666	309	283-9599	306	295-5897	354
	110		873		846	296-0618	21
	295	276-9520	922		860		▶889
	298		928		1473	298-6387	315
	316	278-0513	1629	284-1085	721		544
	321	278-0539	688		721		551
	322	278-0540	688	284-1086	721		2129
	362	278-1082	455		721		2134
	364		463	284-1087	721		2138
	442		473		▶1632		2139
	446	278-1083	473	284-1448	▶1633	299-1761	1309
272-0758	84	278-1776	1002		▶1633		1311
	85		1014	284-1449	▶1633	299-3519	▶152
	86	278-4287	249		690		20
	88		256	284-1460	306	299-3521	▶159
	90		264		1480		▶159
	295	278-4749	▶888	284-1596	308	299-5204	306
	298	278-6221	▶1630		873		366
	312	278-6469	309	284-3920	883		
	316	280-9432	▶2148	284-5434	1632		
	453	281-5919	528	285-8373	20		
	2137	281-5975	528		▶846		
272-0759	86	281-6008	308	285-8374	20		
	87		846		▶873	301-1151	▶2135
	88	281-6009	308	285-8436	309	301-4264	1630
	90		846		846		1633
				287-3046	20		885
					▶91		

PART NUMBER INDEX

Part	Page	Part	Page	Part	Page	Part	Page
301-9248	152	311-9236	873	318-1181	▶1581		463
	157	312-0307	885		1585	339-5431	1411
	161	312-0308	885	318-2082	1609	340-7298	1430
	163	312-8762	1539		1611	343-5682	▶921
	296	313-6221	309		1615		▶922
	297		697		1662	343-5700	922
302-8728	563	313-6222	309	320-7710	152	344-5673	1870
302-8729	536		697		161	345-7620	308
	▶563	313-7143	311		163		693
	▶564		697		296	346-0233	1430
	571	313-7770	▶1246		297		1435
			1249	320-7711	152	346-0234	1430
304-3638	922	314-4213	1345		161		1435
	928		▶1428		163	346-9090	881
304-5666	307	314-7965	1539		296	348-2387	309
	▶1573		1553		297		1407
304-5667	307	314-7966	1539	320-8974	298	348-5661	846
	▶1574		1553	321-1329	▶1821	348-9002	1435
304-7216	322	314-9083	1784	324-6602	21	350-1413	▶120
	▶2135	314-9098	1784	324-9728	889		127
305-2664	▶312	314-9099	1784	325-1410	362	350-2143	1
305-6244	890	314-9100	1784		364		▶300
305-6245	890	314-9101	1784	325-1412	363	351-8955	1668
305-6263	21	315-5136	726		365	352-6061	120
	▶890	315-5137	▶726	325-1788	1784		2141
306-2351	▶2136		746	325-3816	21	352-9766	▶1667
306-3997	1655	315-5170	922		▶921		1772
306-3998	1661		928	325-7324	890	352-9860	▶2126
	1664	316-2492	310	326-6485	822	353-2691	2126
	1729		873	327-3519	1304	353-5995	1480
	1735	316-5976	157	327-8489	890		▶2141
	1741		161	327-8490	890	354-2399	603
307-2670	613		163	328-1487	▶1827	355-0767	▶295
307-5472	307	316-5977	157	328-8410	1309	355-0769	▶298
	846		161		1311	355-8508	368
307-8310	311		161	329-4282	956	357-0858	▶20
	528		163	329-9238	721	357-1809	▶307
307-8723	1436	316-5978	157	329-9239	721	357-9544	784
308-1362	1309		161	331-5717	▶1309		790
	1311		163	331-7163	1303	358-0768	428
308-1365	1309		296	332-0971	922		430
	1311		297	332-1841	1459	359-4122	306
308-1366	1309	316-5979	157		1460		506
	1311		161		1461		1477
308-5353	46		161		1462	359-4123	307
	308		163		1466		496
308-5355	46		296		1467		503
	308		297	332-6711	1252	359-6244	▶362
308-5356	21	316-5980	157	332-8866	▶1898	359-6247	▶364
	▶430		161	332-8945	822	361-7097	463
308-5361	20		163		922		503
	▶46		296	332-8946	822		506
308-6822	311		297		922		2136
	697	316-5981	157	333-1184	▶1311	361-7098	463
308-6830	20		161	333-2392	▶1898		503
	▶697		163	333-2393	▶1898		507
309-2890	▶601		296	334-1626	428	363-9837	▶1670
309-4122	▶1411		297	335-6220	159		1777
	1430	316-8256	▶1539		▶163		1781
309-7564	1430	316-8633	1539		300	364-6393	194
309-9600	889		1553		307	365-0578	526
	890	317-1121	306	335-8638	1898	365-4214	503
310-1028	310		428	335-8639	1898		506
	2143		430	335-8640	1898	365-4215	307
310-2131	44		1475	338-3453	1665		496
310-3954	321	317-1707	1		1667	368-7801	392
	2137		▶887		1670	368-7808	391
311-1314	20	317-2440	155		1736	369-7765	1459
	▶2143		▶161		1742		1460
311-3335	▶602	317-6289	882	338-7519	311		1461
311-3548	307	317-6307	882		846		1462
	873	317-6308	882	338-7520	311		1466
311-3922	1411	317-6309	882		846		1467
311-7510	1430	317-6310	882	339-5148	455	369-9509	496
311-7511	1430						

PART NUMBER INDEX

Part	Page	Part	Page	Part	Page	Part	Page
	503	420-8781	172	447-8613	1551	463-3907	368
	506		173		1553	463-3950	368
370-7095	1874	422-8087	▶1541	447-8614	1543	464-0895	▶319
370-7337	1874	422-8088	1537		1549	465-7385	▶844
374-2082	309		1541		1555	465-8892	▶319
	368		1543	447-8617	1463		320
374-8135	873		1545	447-8618	1464	466-3017	▶1471
374-8142	308		1547	447-8619	1465	468-8824	161
	873		1549	448-5087	41		163
375-2758	873		1551		42		296
376-3116	▶1		1555	448-9011	1463		297
376-4849	1	422-9537	425		1464	468-8825	161
	▶22	423-0938	754		1465		163
377-3044	1463	424-3625	300	448-9012	1463		296
	1464		▶754		1464		297
	1465	428-9129	873		1465	471-0882	235
378-8437	1463	428-9130	871	449-3900	▶1593	475-0731	778
	1464		873		1818	481-8103	822
	1465	430-2741	▶1459	449-3985	1593	485-5637	873
379-3359	1350	430-2742	▶1460	449-7113	163	492-0914	320
	▶1790	430-2745	▶1461	449-7116	163		322
380-4843	306	430-2746	▶1462	450-3711	41		▶2136
	428	430-2750	1459		42	492-1584	194
	430		1460	452-2501	44	492-5098	▶2137
	1475		▶1463		306	492-5099	320
383-2990	1592	430-2751	1461	452-2502	44		▶2138
386-1758	1211		1462		306	494-1221	▶320
386-6022	1888		▶1464	452-2503	44	494-1279	▶322
386-6229	1174	430-2752	▶1465		306	494-7440	693
	1178		1466	452-2504	44	494-9516	151
387-9473	308		1467		306	495-4092	833
388-0672	308	430-2763	▶1543	452-9918	▶296		839
390-7470	688	430-9695	754	453-7799	844	497-3911	2138
391-2167	313	433-3495	891		913	497-5568	564
392-0206	300	433-3496	891		915		
	▶1165	436-1478	315	454-4749	1391		
	1212		2130		1798		
392-0220	309		2138	454-6822	1785		
	▶1166	436-1479	314	454-7477	1785		
	1216		318	454-7489	1391		
394-0505	778		319		▶1785	501-6696	277
395-3499	92		2132		1798	509-6461	366
398-0053	54	437-9760	172	457-0780	306		368
398-1723	1350		173		526	516-5987	844
		440-2522	899	457-6719	▶313	516-8837	323
		441-3369	196		320	516-9629	1411
			204		322	519-5593	822
			210	457-7652	▶314	520-7434	▶380
			214	457-9709	▶315	521-3763	473
			216		▶316	521-4489	151
			218	458-3417	▶316	521-4490	151
			224		320	522-1643	1580
		441-4878	172		322	524-0865	1411
			173	461-3704	922	525-1801	120
			1420	461-3707	822		▶121
		443-6357	▶1545		922	528-6787	1667
		444-1831	▶1547	461-3716	822	528-8390	307
		444-8114	▶1547		922		▶928
		445-7603	307	461-3724	822	528-8391	▶822
			▶1430		922		928
		445-7605	307	461-3744	822	532-8532	473
			▶1435		922	542-4631	693
		447-0808	▶1466	461-3754	815	553-4180	▶297
		447-0809	▶1467	461-3757	815	555-7225	▶1844
		447-0814	▶1549		815		
		447-7206	320	461-3762	815		
			2137	461-3767	815		
		447-8597	▶1551	461-3778	815		
		447-8600	▶1553	461-3788	922		
		447-8604	▶1555	461-3792	815		
		447-8609	1543	462-0787	▶318		
			1549	462-0795	▶318		
			1551	462-8646	233		
420-8780	172		1555	463-3903	368		
	173	447-8610	1553	463-3904	368		
				463-3905	368		

5

4

▶ PRIMARY REFERENCE
SEBP1554-21

MEMORANDA



SEBP1554-21
VOLUME II
Pages 799-1306

3512 Engine

50Y647-1304