



SEBP1554-21 (en-us)  
October 2018

**VOLUME I**  
**Pages 1-798**

# Parts Manual

---

## 3512 Marine Engine

---

50Y647-1304 (Engine)  
66Z190-578 (Engine)



# Product and Dealer Information

Note: For product identification plate locations, see the section "Product Identification Information" in the Operation and Maintenance Manual.

Delivery Date: \_\_\_\_\_

## Product Information

Model: \_\_\_\_\_

Product Identification Number: \_\_\_\_\_

Engine Serial Number: \_\_\_\_\_

Transmission Serial Number: \_\_\_\_\_

Generator Serial Number: \_\_\_\_\_

Attachment Serial Numbers: \_\_\_\_\_

Attachment Information: \_\_\_\_\_

Customer Equipment Number: \_\_\_\_\_

Dealer Equipment Number: \_\_\_\_\_

## Dealer Information

Name: \_\_\_\_\_ Branch: \_\_\_\_\_

Address: \_\_\_\_\_

\_\_\_\_\_

\_\_\_\_\_

Dealer Contact

Phone Number

Hours

Sales: \_\_\_\_\_

Parts: \_\_\_\_\_

Service: \_\_\_\_\_

# MEMORANDA

# TABLE OF CONTENTS

NAME	PAGE	NAME	PAGE
GENERAL INFORMATION .....	A5	KIT-ENGINE GASKET .....	312
REPAIR ALTERNATIVES .....	A7	KIT-ENGINE OVERHAUL .....	320
SUPPLEMENTAL COOLANT ADDITIVES .....	A8	LIFTING GP-ENGINE .....	323
MAINTENANCE PARTS .....	A9	LINER-CYLINDER BLOCK .....	325
INDEX .....	A17	MEMBRANE AS .....	326
ENGINE ARRANGEMENT .....	1	MOUNTING GP-ALTERNATOR .....	327
CONVERSION AR-ENGINE .....	1	MOUNTING GP-HYD PUMP DRIVE .....	335
CONVERSION AR-GENERATOR SET .....	2	MOUNTING GP-SOUND ISOLATION .....	343
ENGINE AR .....	4	PAN GP-OIL .....	345
ENGINE AR-COMPLETE .....	20	PARTS GP-ENGINE OVERHAUL .....	362
BASIC ENGINE .....	24	PISTON & ROD GP .....	366
AIR COMPRESSOR GP .....	24	PLUG GP-FLYWHEEL HOUSING .....	380
BARRING GP .....	41	POWER TAKE-OFF GP .....	381
BASE GP-VALVE COVER .....	43	PULLEY AS-CRANKSHAFT .....	391
CAMSHAFT GP .....	44	PULLEY GP-AUXILIARY DRIVE .....	393
CLUTCH AS .....	50	RING GP-PISTON .....	401
CLUTCH GP .....	52	SEAL AS-WATER .....	402
COUPLING GP-FLEXIBLE .....	54	SEAL GP-CRANKSHAFT .....	404
COUPLING GP-TORSIONAL .....	72	SHAFT GP-AUXILIARY DRIVE .....	407
COVER GP-ACCESSORY DRIVE .....	82	SHAFT GP-STUB .....	417
COVER GP-CAMSHAFT .....	84	SUPPORT GP-ENGINE .....	420
COVER GP-CYLINDER BLOCK .....	86	SUPPORT GP-POWER TAKE-OFF .....	423
COVER GP-FLYWHEEL HOUSING .....	91	TRUNNION GP-ENGINE .....	424
COVER GP-FRONT HOUSING .....	100	VALVE GP-EXPLOSION RELIEF .....	425
COVER GP-OIL PAN .....	103	VALVE MECHANISM GP .....	428
COVER GP-VALVE MECHANISM .....	106	LUBRICATION SYSTEM .....	440
CRANKSHAFT AS .....	111	BREATHER GP .....	440
CRANKSHAFT GP .....	112	CONNECTION GP-OIL .....	447
CYLINDER BLOCK AS .....	116	FILLER GP-ENGINE OIL .....	450
CYLINDER BLOCK GP .....	126	FILTER GP-CENTRIFUGAL .....	453
CYLINDER HEAD AS .....	149	FILTER GP-ENGINE OIL .....	455
CYLINDER HEAD GP .....	155	GAUGE GP-OIL LEVEL (DIPSTICK) .....	479
DAMPER GP .....	170	HOSE AS .....	483
DRAIN GP-ENGINE OIL .....	188	INDICATOR GP-OIL FILTER CHANGE .....	494
DRIVE GP-ACCESSORY .....	190	LINES GP-CENTRIFUGAL FILTER .....	495
DRIVE GP-FAN .....	230	LINES GP-ENGINE OIL .....	496
FASTENER GP-VALVE MECHANISM .....	231	LINES GP-OIL SUPPLY .....	513
FLYWHEEL GP .....	232	LINES GP-PRELUBRICATION .....	518
GEAR GP-FRONT .....	238	LINES GP-SUMP .....	525
GEAR GP-REAR .....	266	LINES GP-TURBOCHARGER OIL .....	526
GUARD GP-BELT .....	274	PUMP & LINES GP- PRELUBRICATION .....	534
GUARD GP-COUPLING .....	279	PUMP GP-ENGINE OIL .....	539
GUARD GP-DAMPER .....	281	PUMP GP-PRELUBRICATION .....	552
HOUSING GP-FLYWHEEL .....	283	PUMP GP-SCAVENGE .....	573
HOUSING GP-FRONT .....	291	PUMP GP-SUMP .....	575
KIT-CYLINDER HEAD .....	295	SHIELD GP-ENGINE OIL LINES .....	595
KIT-CYLINDER HEAD GASKET .....	298	VALVE GP-FLUID CONTROL .....	603
KIT-ENGINE CONVERSION .....	300	COOLING SYSTEM .....	604
		CONNECTION GP-EXPANSION TANK .....	604
		CONNECTION GP-TORQUE CONV CLR .....	605
		CONNECTION GP-WATER .....	607

# TABLE OF CONTENTS

NAME	PAGE	NAME	PAGE
COOLER GP-ENGINE OIL .....	611	CONTROL GP-GOVERNOR .....	972
CORE GP-OIL COOLER .....	613	COVER GP-GOVERNOR .....	983
HEAT EXCHANGER GP-SEA		DRIVE GP-GOVERNOR .....	986
WATER .....	614	DRIVE GP-TACHOMETER .....	990
HOUSING & REGULATOR GP .....	643	FASTENER GP-FUEL INJ PUMP .....	994
KIT-WATER PUMP .....	651	FILTER GP-FUEL .....	1002
LINES GP-AFTERCOOLER WATER .....	652	FILTER GP-PRIMARY FUEL .....	1027
LINES GP-AUXILIARY FRESH		FLYWEIGHT GP .....	1028
WATER .....	656	GOVERNOR GP .....	1031
LINES GP-AUXILIARY SEA WATER .....	664	GOVERNOR GP-ELECTRONIC .....	1160
LINES GP-TURBOCHARGER		HOUSING GP-GOVERNOR .....	1161
WATER .....	684	INJECTOR GP-FUEL .....	1164
LINES GP-WATER .....	686	LINES GP-DIVERter VALVE .....	1169
PUMP GP-AUXILIARY SEA WATER .....	714	LINES GP-FLEXIBLE FUEL .....	1173
PUMP GP-AUXILIARY WATER .....	750	LINES GP-FUEL INJECTION .....	1174
PUMP GP-WATER .....	769	LINES GP-FUEL RATIO	
SEPARATOR GP-AIR .....	778	CONTROL .....	1198
SWITCH GP-COOLANT LEVEL .....	780	LINKAGE GP-GOVERNOR .....	1205
TANK GP-COOLANT .....	783	MANIFOLD GP-FUEL .....	1206
TANK GP-EXPANSION .....	784	MOUNTING GP-GOVERNOR	
VALVE GP-CHECK .....	793	ACTUATOR .....	1208
VALVE GP-DIVERter .....	794	PANEL AS-GOVERNOR .....	1209
VALVE GP-FLUID SAMPLING .....	798	PUMP GP-FUEL INJECTION .....	1211
AIR INLET AND EXHAUST SYSTEM .....	799	PUMP GP-FUEL PRIMING .....	1234
ADAPTER GP-AIR CLEANER .....	799	PUMP GP-FUEL TRANSFER .....	1242
AFTERCOOLER GP-TREATED		PUMP GP-GEAR .....	1250
WATER .....	801	PUMP GP-GEROTOR .....	1252
AFTERCOOLER GP-WATER .....	803	SHIELD GP-FUEL LINES .....	1257
AIR CLEANER GP .....	809	SHUTOFF & OIL FILLER GP .....	1269
CARTRIDGE GP-TURBOCHARGER .....	814	SHUTOFF GP-CONTROL .....	1271
ELBOW GP-EXHAUST .....	828	SHUTOFF GP-	
ELBOW-EXHAUST .....	829	HYDROMECHANICAL .....	1277
FITTING GP-EXHAUST .....	831	SHUTOFF GP-MANUAL .....	1296
FLANGE GP-EXHAUST .....	836	SHUTOFF GP-REMOTE .....	1299
INDICATOR GP-AIR FILTER		TUBE .....	1301
CHANGE .....	843	VALVE GP-FUEL SHUTOFF .....	1302
KIT-TURBOCHARGER GASKET .....	844	VALVE GP-PRESSURE CONTROL .....	1304
LINES GP-AIR .....	845	VALVE GP-SPEED SENSING .....	1306
LINES GP-AIR SHUTOFF .....	858	ELECTRICAL AND STARTING	
LINES GP-TURBOCHARGER AIR .....	860	SYSTEM .....	1307
MANIFOLD GP-EXHAUST .....	871	ALTERNATOR GP-CHARGING .....	1307
MUFFLER .....	878	BATTERY CHARGER .....	1323
MUFFLER GP-SPARK ARRESTOR .....	881	BATTERY GP .....	1327
SHIELD AS-HEAT .....	882	BOX AS-CONTROL .....	1343
SHIELD GP-EXHAUST .....	883	BOX GP-JUNCTION .....	1345
SHIELD GP-HEAT .....	888	CIRCUIT BREAKER GP .....	1355
SHIELD GP-TURBOCHARGER .....	889	CONNECTOR .....	1357
SHUTOFF GP-AIR .....	891	CONTACTOR AS .....	1358
SUPPORT GP-TURBOCHARGER .....	905	CONTACTOR GP .....	1359
TURBOCHARGER GP .....	907	CONTACTOR-PRESSURE .....	1366
VALVE GP-AIR CONTROL .....	956	CONTACTOR-TEMPERATURE .....	1367
FUEL SYSTEM .....	959	CONTROL & MTG GP-ENGINE	
ACTUATOR GP-GOVERNOR .....	959	ELEK .....	1368
CONTROL GP-FUEL INJECTION .....	961	CONTROL AS-ELECTRONIC	
CONTROL GP-FUEL RATIO .....	967	GOVERNOR .....	1373
		CONTROL GP-AIR STARTING .....	1374

# TABLE OF CONTENTS

NAME	PAGE	NAME	PAGE
CONTROL GP-AUTO START/ STOP .....	1404	SWITCH GP-MAGNETIC .....	1801
CONTROL GP-ENGINE ELECTRONIC .....	1405	SWITCH GP-REMOTE STARTING .....	1806
CONTROL GP-VOLTAGE .....	1408	SWITCH GP-START .....	1808
CONVERSION GP-WIRING .....	1409	SWITCH GP-START/STOP .....	1809
COVER GP-MODULE CONNECTOR .....	1411	SWITCH GP-TEMPERATURE .....	1810
ENCLOSURE GP-WIRING .....	1412	SWITCH GP-TOGGLE .....	1813
FASTENER GP-JUNCTION BOX .....	1422	TANK GP-AIR .....	1815
FASTENER GP-WIRING HARNESS .....	1423	THERMOCOUPLE .....	1816
HARNESS AS-BOX .....	1428	THERMOCOUPLE GP .....	1817
HARNESS AS-ENGINE .....	1430	TRANSFORMER GP .....	1821
HARNESS AS-PANEL .....	1438	TRANSFORMER GP-CURRENT .....	1821
HARNESS AS-SENSOR .....	1446	TRANSFORMER GP-POTENTIAL .....	1828
HARNESS AS-WIRING .....	1447	VALVE AS-SOLENOID .....	1829
HARNESS GP-WIRING .....	1448	VALVE GP-CONTROL .....	1830
HEATER GP-JACKET WATER .....	1457	VALVE GP-PRESSURE REDUCING .....	1832
KIT-AIR STARTING MOTOR .....	1471	WIRE AS-SERVICE METER .....	1834
KIT-CONVERSION .....	1472	WIRING GP-ENGINE .....	1835
KIT-SERVICE METER .....	1482	WIRING GP-GOVERNOR SOLENOID .....	1846
LINES GP-AIR STARTING .....	1483	WIRING GP-PYROMETER .....	1847
LINES GP-SHUTOFF .....	1506	ENCLOSURES, GUARDS AND BASES .....	1850
LUBRICATOR GP-AIR MOTOR .....	1511	BASE GP-ENGINE & TRANSMISSION .....	1850
MOUNTING GP-CONTACTOR .....	1516	ENCLOSURE GP .....	1852
MOUNTING GP-JACKET WTR HEATER .....	1524	RAIL GP-ENGINE SUPPORT .....	1853
MOUNTING GP-JUNCTION BOX .....	1559	SHIELD GP .....	1856
PLATE AS-BRUSH .....	1561	MARINE TRANSMISSION .....	1862
PROTECTION GP-ENGINE .....	1562	MOUNTING GP-MARINE XMSN .....	1862
RELAY GP .....	1563	OPERATOR STATION .....	1864
SEAL GP-SPEED SENSOR .....	1564	AMMETER GP .....	1864
SENSOR GP-EXHAUST TEMPERATURE .....	1565	BOX GP-INSTRUMENT PANEL .....	1865
SENSOR GP-PRESSURE .....	1566	CONTROL GP-EMCP ELECTRONIC .....	1877
SENSOR GP-SPEED .....	1576	CONTROL GP-ENGINE MONITORING .....	1887
SENSOR GP-TEMP & PRESS .....	1587	COVER GP-INSTRUMENT PANEL .....	1889
SENSOR GP-TEMPERATURE .....	1588	GAUGE GP .....	1890
SHUTOFF AR-ELECTRICAL .....	1594	GAUGE GP-ENGINE OIL PRESSURE .....	1893
SHUTOFF GP-CONTROL .....	1596	GAUGE GP-MARINE GEAR OIL .....	1895
SHUTOFF GP-ELECTRICAL .....	1600	KIT-ELECTRONIC CONVERSION .....	1898
SILENCER GP-AIR STARTING .....	1607	LINES GP-INSTRUMENT PANEL .....	1899
SOLENOID AS-STARTING MOTOR .....	1609	METER AS-POWER .....	1974
SOLENOID GP-SHUTOFF .....	1617	METER GP-SERVICE .....	1975
STARTING AID GP .....	1620	MODULE GP-ALARM .....	1979
STARTING AID GP-ETHER .....	1621	MODULE GP-QUAD GAUGE .....	1993
STARTING MOTOR GP-AIR .....	1627	MODULE GP-SYNCHRONIZING LIGHTS .....	1996
STARTING MOTOR GP-ELECTRIC .....	1652	MOUNTING GP-INSTRUMENT PANEL .....	2001
STRIP AS-TERMINAL .....	1784	PANEL GP-CONTROL .....	2017
SWITCH AS-PUSH BUTTON .....	1785	PANEL GP-ELECTRONIC .....	2054
SWITCH AS-SELECTOR .....	1788		
SWITCH AS-SPEED .....	1790		
SWITCH AS-TEMPERATURE .....	1791		
SWITCH AS-TOGGLE .....	1792		
SWITCH GP-ENGINE .....	1794		
SWITCH GP-ENGINE START .....	1797		

# TABLE OF CONTENTS

NAME	PAGE	NAME	PAGE
PANEL GP-INSTRUMENT .....	2055		
PYROMETER GP.....	2085		
SEAL GP-ENCLOSURE .....	2091		
TACHOMETER GP-ELECTRIC.....	2092		
TIMER GP .....	2097		
SERVICE EQUIPMENT AND			
SUPPLIES .....	2098		
CAP GP-PROTECTION .....	2098		
CHART-3500 RESIDUAL FUEL .....	2099		
CHART-ALARM SYSTEM.....	2100		
CHART-AUXILIARY DRIVE .....	2103		
CHART-CONTROL PANEL .....	2105		
CHART-INSTRUMENT PANEL .....	2115		
CHART-PLATE & FILM .....	2118		
CHART-PYROMETER .....	2119		
CHART-SUMP PUMP .....	2121		
FILM GP.....	2126		
GREASE GUN GP.....	2127		
INSERT-LINER SEAT .....	2128		
KIT-GASKET .....	2129		
KIT-INSERT .....	2140		
KIT-SEAL .....	2141		
KIT-VALVE .....	2142		
PLATE GP-INFORMATION .....	2143		
SCREEN AS .....	2144		
SHIELD GP-PROTECTION .....	2145		
TAPE .....	2148		
TOOL GP-HAND.....	2149		
PART NUMBER INDEX.....	B1		



# GENERAL INFORMATION

## 1. ENGINE IDENTIFICATION

Cat engines are identified with Serial Numbers and Arrangement Numbers. In some cases, Modification Numbers are also used. The serial number plate which shows these numbers is mounted on the engine.

Cat dealers need this information to determine which components were included on the engine when it was assembled at the factory. This permits accurate identification of replacement part numbers.

## 2. ORDERING PARTS

### **WARNING**

**When replacement parts are required for this product Caterpillar recommends using Caterpillar replacement parts or parts with equivalent specifications including, but not limited to, physical dimensions, type, strength and material.**

**Failure to heed this warning can lead to premature failures, product damage, personal injury or death.**

Quality Cat replacement parts are available from Cat dealers throughout the world. Their parts inventories are up to date and include all parts normally required to protect your investment in Cat Engines. Dealers may offer repair kits or remanufactured parts to allow selection of the most effective repair alternative for a particular situation. When ordering parts, your order should specify the quantity, part number, part name, and the serial number/product identification number of the engine for which the parts are needed.

## 3. PARTS MANUAL ORGANIZATION

Product information in this manual is presented as "information elements" that represent all of the components for the specific model. An Engine Arrangement is an example of an information element. The information elements are organized alphabetically by part name and secondarily by part number within each major section of the manual.

## 4. TABLE OF CONTENTS

A table of contents (TOC) is found at the beginning of the manual. The TOC lists each section of the manual with a complete list of all information elements organized as they appear in the manual. Page numbers are provided for quick reference to detailed parts identification illustrations and serviceable consist lists.

## 5. MAINTENANCE PARTS INDEX

The Maintenance Parts Index, located near the beginning of the manual, references most frequently used maintenance part numbers, providing description, quantity, usage and page number. This information is organized alphabetically by part description.

## 6. INDEX

The index located near the front of the manual is an alphabetical listing of all information elements included in the manual. Page numbers are provided for quick reference to detailed parts identification illustrations and serviceable consist lists.

## 7. PART NUMBER INDEX

A numerical index listing all part numbers and the corresponding page number(s) appears at the back of the manual.

## 8. CAPTIONS

Captions located at the beginning each information element identify the part number and part name along with additional descriptive information. S/N information found in each caption should be used to select correct information for a specific engine. Field replacement options, identification of optional attachment components, and where used ("part of") information is also provided.

The first line of a caption is shown in larger type font to indicate the beginning of an information element. Captions for additional pages that may be required to illustrate an information element will be shown in standard type font and will include the term (contd.) .

## 9. NON-SERVICED PARTS

In some instances it is necessary to display non-serviced parts that are a link to lower level serviceable consist lists. These non-serviced part numbers are shown in italic type indicating that they are not available. All consist lists have not been converted to reflect this enhancement.

# GENERAL INFORMATION

## 10. PARTS LIST REFERENCE NUMBERS

Numbers shown in the Ref No column correspond to numbers used in the associated graphic(s). An alphabetic suffix may be added to a reference number to identify lower level consist items. Numbers shown in the Graphic Ref column refer to the graphic number identifier displayed in the lower left corner of each illustration. The Graphic Ref number may be used in combination with the item Ref No to determine the correct part number. There may be intentional omission of a Ref No in a consist list as information is updated to reflect the latest serviceable part numbers.

## 11. INDENTED PART NAMES

When a part name is indented in a parts list, it is part of (included in) the group or assembly under which it is indented.

## 12. ILLUSTRATION REFERENCE LETTERS

When necessary, illustrations contain reference letters (A, B, C etc.) that are intended to track lines and harnesses from one point to another. They are also used to show where to reconnect illustrations that have been separated.

## 13. ABBREVIATIONS AND SYMBOLS

O.D. – Outside Diameter  
I.D. – Inside Diameter  
A – Not Part Of This Group  
B – Use As Required  
C – Change From Previous Type  
D – Order By The Meter  
E – Order By The Centimeter  
F – Not Shown  
G – Order By The Inch  
I – Refer To Hydraulic Information System  
M – Metric Part  
R – Remfg Part May Be Available  
Y – Separate Illustration  
Z – Not Serviced Separately

## 14. DESCRIPTION OF TYPE CHANGES

Type - A type is defined as any configuration change that requires an additional Information Element for an Arrangement, Group, or Assembly. If serial number breaks for types are not available, a type # ( Type 1, Type 2, etc.) will be displayed in the caption. These "type" changes are identified with a "C" note (change from previous type) in the Parts List. Only the "types" that apply to this Parts Manual will be included. Additional types may exist causing "C" notes to appear on an Information Element when no other types are shown.

## 15. <END>

This symbol indicates the end of an information element.

### NOTE:

Continuing improvement and advancement of product design may cause changes to your engine which may not be included in this publication. Whenever a question arises regarding your Cat product or this publication, please consult your Cat dealer for the latest available information.

# REPAIR ALTERNATIVES

## REMANUFACTURED COMPONENTS

As an option when making repairs consider Cat Remanufactured Components. Components that are available through the Cat Remanufactured Program are identified three ways in the parts book:

- with the letter R in the note field of the parts list
- with an R\* at the beginning of the first line of the caption
- with an \*R at the end of the first line of the caption

Typical components included in the Remanufacturing Program include:

ALTERNATORS  
CONNECTING RODS  
CRANKSHAFTS - UNDERSIZE  
CRANKSHAFTS - UPGRADE TO NEW  
CYLINDER HEADS  
ELECTRONIC CONTROL MODULES (ECM)  
ELECTRONIC SENSORS  
FUEL INJECTORS  
FUEL NOZZLES  
FUEL PUMPS  
GOVERNORS  
OIL PUMPS  
PISTONS  
SHORT BLOCKS  
STARTERS  
TURBOCHARGERS - COMPLETE  
TURBOCHARGER CARTRIDGES  
WATER PUMPS

Cat Remanufactured engines for many engine arrangements are also available.

# SUPPLEMENTAL COOLANT ADDITIVES

## CUSTOMER BENEFITS:

Protects against cavitation, foam, erosion, corrosion, and scale buildup in cooling systems.

- Provides measured coolant conditioner.

## DESCRIPTION:

Additives deplete from the coolant with normal operation. For this reason, Supplemental Coolant Additives (SCA) must be added to all heavy duty coolants at regular intervals. In addition, when not using a fully formulated, pre-charged antifreeze, like Cat DEAC, an initial charge of SCA must be added to the cooling system. The amount of SCA added to the system is dependent on the capacity of the system.

The SCA for initial fill is provided as a liquid. SCA's for maintenance intervals are available in liquid form and as a spin-on element. (No Spin-on available for 3600 Family of Engines)

## NOTE:

The amount of SCA added at initial fill is not the same as the amount added at maintenance intervals.

The coolant additive elements can be used with any ethylene or propylene glycol type antifreeze which meets ASTM D4985 or ASTM D5345 Specifications.

## NOTE:

For use with standard heavy duty coolant only, not for use with Extended Life Coolant.

## PARTS NEEDED:

Cooling System Capacity		Liquid SCA at Initial Fill	Liquid SCA at Maintenance*	Spin-on SCA Maintenance Element*
Liters	Gallons			
22-30	(6-8)	3P-2044 (1)	6V-3542 (1)	111-2370 (1)
30-38	(8-10)	3P-2044 (1) 6V-3542 (1)	111-2372 (1)	111-2369 (1)
38-49	(10-13)	3P-2044 (1) 8T-1589 (1)	111-2372 (1)	111-2369 (1)
49-64	(13-17)	3P-2044 (2)	8T-1589 (1)	9N-3368 (1)
64-83	(17-22)	3P-2044 (2) 8T-1589 (1)	111-2372 (1) 6V-3542 (1)	111-2371 (1)
83-114	(22-30)	3P-2044 (3) 8T-1589 (1)	3P-2044 (1)	9N-3718 (1)
114-163	(30-43)	3P-2044 (5)	3P-2044 (1) 6V-3542 (1)	111-2371 (2)
163-242	(43-64)	3P-2044 (8)	3P-2044 (2)	9N-3718 (2)

\* Normal maintenance period is 250 hrs. See your Operation and Maintenance Manual for complete coolant maintenance instructions.

( ) Indicates quantity required.

# MAINTENANCE PARTS

DESCRIPTION	PART NUMBER	QTY	WHERE USED	PAGE
AIR INLET AND EXHAUST SYSTEM FILTER ELEMENT AS-AIR (PRIMARY)	8N-6309	1	AIR CLEANER GP	811
		1	AIR CLEANER GP	812
FILTER ELEMENT AS-AIR (SECONDARY)	8N-2556	1	AIR CLEANER GP	811
FILTER-SOOT (AIR CLEANER)	8N-2555	2	AIR CLEANER GP	809
FILTER-SOOT (AIR CLEANER) (AIR CLEANER)	8N-2555	2	AIR CLEANER GP	813
BASIC ENGINE				
BELT-SERPENTINE (ALTERNATOR)	141-7116	1	MOUNTING GP-ALTERNATOR	333
	7E-4841	1	MOUNTING GP-ALTERNATOR	331
BREATHER (ATMOSPHERIC) (ATMOSPHERIC)	9G-5127	1	KIT-ENGINE CONVERSION	308
BREATHER AS (CRANKCASE)	4W-3027	1	KIT-ENGINE CONVERSION	308
		3	KIT-ENGINE OVERHAUL	320
		3	KIT-ENGINE OVERHAUL	322
CAP AS-ENGINE OIL FILLER	262-6104	1	KIT-ENGINE CONVERSION	308
FILTER ELEMENT AS-ENGINE OIL (STANDARD EFFICIENCY)	1R-0726	3	KIT-ENGINE OVERHAUL	320
		3	KIT-ENGINE OVERHAUL	322
FILTER ELEMENT-FUEL (ADVANCED EFFICIENCY)	1R-0756	5	KIT-ENGINE OVERHAUL	320
		5	KIT-ENGINE OVERHAUL	322
GASKET	9Y-8389	1	KIT-ENGINE OVERHAUL	320
		1	KIT-ENGINE OVERHAUL	322
GASKET (ADAPTER)	4N-1320	1	KIT-ENGINE CONVERSION	301
		2	KIT-ENGINE GASKET	315
		1	KIT-ENGINE GASKET	318
		1	KIT-ENGINE GASKET	319
		1	PAN GP-OIL	350
		4	PARTS GP-ENGINE OVERHAUL	362
		4	PARTS GP-ENGINE OVERHAUL	364
		1	KIT-ENGINE GASKET	316
GASKET-EXHAUST MANIFOLD KEY-SQUARE	7F-8896	1	POWER TAKE-OFF GP	381
		1	POWER TAKE-OFF GP	382
		1	POWER TAKE-OFF GP	383
		1	POWER TAKE-OFF GP	384
		1	POWER TAKE-OFF GP	386
		1	POWER TAKE-OFF GP	387
		1	POWER TAKE-OFF GP	388
		1	POWER TAKE-OFF GP	389
		1	DRIVE GP-ACCESSORY	190
		1	DRIVE GP-ACCESSORY	192
PLUG-OIL DRAIN	4B-2363	1	COVER GP-OIL PAN	105
		2	PAN GP-OIL	350
		2	PAN GP-OIL	352
PLUG-OIL DRAIN (ENGINE OIL PAN)	4B-2363	1	PAN GP-OIL	348
		1	PAN GP-OIL	354

# MAINTENANCE PARTS

DESCRIPTION	PART NUMBER	QTY	WHERE USED	PAGE
		2	PAN GP-OIL	356
		2	PAN GP-OIL	358
		2	PAN GP-OIL	360
	6I-0723	1	PAN GP-OIL	348
		1	PAN GP-OIL	354
REGULATOR-TEMPERATURE (92-DEG C)	248-5513	4	KIT-ENGINE OVERHAUL	320
		4	KIT-ENGINE OVERHAUL	322
SCREEN AS-SUCTION	1W-1564	1	PAN GP-OIL	350
		1	PAN GP-OIL	352
SCREEN AS-SUCTION (ENGINE OIL PAN)	1W-1564	1	PAN GP-OIL	348
		1	PAN GP-OIL	358
		1	PAN GP-OIL	360
	295-5897	1	PAN GP-OIL	354
	7C-4716	1	PAN GP-OIL	356
SEAL-INTEGRAL	234-8937	2	COVER GP-FLYWHEEL HOUSING	91
		1	COVER GP-FLYWHEEL HOUSING	92
		2	COVER GP-FLYWHEEL HOUSING	94
		2	KIT-ENGINE GASKET	314
		2	KIT-ENGINE GASKET	319
SEAL-INTEGRAL (FLYWHEEL HOUSING)	234-8937	2	KIT-ENGINE GASKET	318
SEAL-VALVE COVER	272-0757	1	COVER GP-VALVE MECHANISM	107
		1	COVER GP-VALVE MECHANISM	110
		1	KIT-CYLINDER HEAD	295
		1	KIT-CYLINDER HEAD GASKET	298
		1	KIT-ENGINE GASKET	316
		3	KIT-ENGINE OVERHAUL	321
		3	KIT-ENGINE OVERHAUL	322
		1	PARTS GP-ENGINE OVERHAUL	362
		1	PARTS GP-ENGINE OVERHAUL	364
	272-0760	21	KIT-ENGINE CONVERSION	305
		2	KIT-ENGINE CONVERSION	310
SEAL-VALVE COVER (BASE)	272-0760	1	COVER GP-VALVE MECHANISM	106
		1	COVER GP-VALVE MECHANISM	108
SEAL-VALVE COVER (VALVE COVER BASE)	272-0757	1	COVER GP-VALVE MECHANISM	109
V-BELT GP	8N-3504	1	AIR COMPRESSOR GP	31
V-BELT GP (AIR COMPRESSOR)	8N-3504	1	AIR COMPRESSOR GP	35
		1	AIR COMPRESSOR GP	38
V-BELT SET (INCLUDES 2-BELTS) (ALTERNATOR)	9L-4013	1	MOUNTING GP-ALTERNATOR	327
	9Y-7159	1	MOUNTING GP-ALTERNATOR	329
COOLING SYSTEM				
CAP-PRESSURE (14-PSI) (COOLANT TANK)	127-8660	1	TANK GP-COOLANT	783
CAP-PRESSURE (14-PSI) (EXPANSION TANK)	127-8660	1	TANK GP-EXPANSION	784
		1	TANK GP-EXPANSION	790

## MAINTENANCE PARTS

DESCRIPTION	PART NUMBER	QTY	WHERE USED	PAGE
CAP-PRESSURE (7-PSI)	4N-3311	1	TANK GP-EXPANSION	787
CAP-PRESSURE (7-PSI) (COOLANT TANK)	4N-3311	1	TANK GP-COOLANT	783
CAP-PRESSURE (7-PSI) (EXPANSION TANK)	4N-3311	1	TANK GP-EXPANSION	784
GASKET (ADAPTER)	4N-1320	1	TANK GP-EXPANSION	790
		1	CONNECTION GP-TORQUE CONV CLR	605
		2	LINES GP-AFTERCOOLER WATER	652
		2	LINES GP-AFTERCOOLER WATER	654
		2	LINES GP-WATER	688
		1	LINES GP-WATER	706
		1	LINES GP-WATER	708
PLUG-DRAIN	9M-4202	1	LINES GP-WATER	688
		1	LINES GP-WATER	706
		1	LINES GP-WATER	708
PLUG-DRAIN (AUXILIARY SEA WATER PUMP)	3F-1357	1	PUMP GP-AUXILIARY SEA WATER	748
PLUG-DRAIN (WATER PUMP HOUSING)	3F-1358	1	PUMP GP-AUXILIARY SEA WATER	726
	9M-4202	1	PUMP GP-AUXILIARY WATER	762
REGULATOR-TEMPERATURE (30-DEG C) (WATER)	219-3240	1	PUMP GP-AUXILIARY WATER	764
		2	HOUSING & REGULATOR GP	643
REGULATOR-TEMPERATURE (89-DEG C)	4W-4011	2	HOUSING & REGULATOR GP	645
		4	HOUSING & REGULATOR GP	647
REGULATOR-TEMPERATURE (92-DEG C) (WATER)	248-5513	4	HOUSING & REGULATOR GP	650
REGULATOR-WATER TEMPERATURE	4W-4842	4	HOUSING & REGULATOR GP	646
REGULATOR-WATER TEMPERATURE (92-DEG C)	4W-4794	4	HOUSING & REGULATOR GP	648
ROD AS-ZINC (AUXILIARY WATER PUMP)	7E-7933	4	HOUSING & REGULATOR GP	649
	5L-7685	1	PUMP GP-AUXILIARY SEA WATER	748
ROD-ZINC (AUXILIARY SEA WATER PUMP)	6L-2280	1	PUMP GP-AUXILIARY SEA WATER	717
		1	PUMP GP-AUXILIARY SEA WATER	724
		1	PUMP GP-AUXILIARY SEA WATER	728
		1	PUMP GP-AUXILIARY SEA WATER	730
		1	PUMP GP-AUXILIARY SEA WATER	732
		1	PUMP GP-AUXILIARY SEA WATER	748
		3	HEAT EXCHANGER GP-SEA WATER	616
		3	HEAT EXCHANGER GP-SEA WATER	617
ROD-ZINC (HEAT EXCHANGER)	6L-2284	3	HEAT EXCHANGER GP-SEA WATER	621
		1	HEAT EXCHANGER GP-SEA WATER	624
		1	HEAT EXCHANGER GP-SEA WATER	627
		3	HEAT EXCHANGER GP-SEA WATER	631
		3	HEAT EXCHANGER GP-SEA WATER	632
		3	HEAT EXCHANGER GP-SEA WATER	635
		3	HEAT EXCHANGER GP-SEA WATER	636

# MAINTENANCE PARTS

DESCRIPTION	PART NUMBER	QTY	WHERE USED	PAGE
		3	HEAT EXCHANGER GP-SEA WATER	639
		3	HEAT EXCHANGER GP-SEA WATER	641
ELECTRICAL AND STARTING SYSTEM				
BATTERY (12-VOLT) (DRY)	9G-4231	2	BATTERY GP	1339
	9G-4232	2	BATTERY GP	1335
		2	BATTERY GP	1337
	9X-9720	2	BATTERY GP	1338
BATTERY (6 VOLT)	9S-7130	5	BATTERY GP	1327
BATTERY (6-VOLT)	9G-4250	5	BATTERY GP	1329
	9G-9033	4	BATTERY GP	1331
BATTERY (6-VOLT) (24-VOLT)	9G-9033	5	BATTERY GP	1333
BATTERY GP (12-VOLT) (DRY)	9X-9730	2	BATTERY GP	1341
BREATHER (ATMOSPHERIC)	9G-5127	1	WIRING GP-ENGINE	1839
BREATHER (ATMOSPHERIC) (ATMOSPHERIC)	9G-5127	1	WIRING GP-ENGINE	1835
CIRCUIT BREAKER AS (10-AMPERE)	6T-3642	1	BOX GP-JUNCTION	1351
		1	BOX GP-JUNCTION	1353
CIRCUIT BREAKER AS (12.5-AMPERE)	1N-9770	1	SWITCH GP-MAGNETIC	1801
CIRCUIT BREAKER AS (15-AMPERE)	9M-9085	1	SWITCH GP-MAGNETIC	1802
CIRCUIT BREAKER AS (20-AMPERE, DOUBLE POLE) (MARINE POWER DISPLAY)	231-9866	1	BOX GP-JUNCTION	1345
CIRCUIT BREAKER AS (20-AMPERE, DOUBLE POLE) (PRIMARY ECM)	231-9866	1	BOX GP-JUNCTION	1345
CIRCUIT BREAKER AS (20-AMPERE, DOUBLE POLE) (SECONDARY ECM)	231-9866	1	BOX GP-JUNCTION	1345
CIRCUIT BREAKER AS (20-AMPERE)	6T-3644	1	BOX GP-JUNCTION	1350
		2	BOX GP-JUNCTION	1353
		1	CIRCUIT BREAKER GP	1355
		1	SWITCH GP-ENGINE	1794
CIRCUIT BREAKER AS (30-AMPERE)	6N-9349	1	SWITCH GP-MAGNETIC	1805
CIRCUIT BREAKER AS (40-AMPERE, DOUBLE POLE) (AIR SHUTOFF)	231-9864	1	BOX GP-JUNCTION	1345
CIRCUIT BREAKER AS (70-AMPERE, DOUBLE POLE) (ALTERNATOR, STARTING MOTOR)	231-9863	1	BOX GP-JUNCTION	1345
CIRCUIT BREAKER AS (80 AMP)	6T-3646	1	ENCLOSURE GP-WIRING	1412
CIRCUIT BREAKER GP (20-AMPERE)	9H-1958	1	SWITCH GP-MAGNETIC	1803
CIRCUIT BREAKER GP (60-AMPERE)	6T-3645	1	CIRCUIT BREAKER GP	1356
FILTER (ETHER)	160-8761	1	STARTING AID GP-ETHER	1623
FILTER & GASKET AS (ETHER STARTING AID)	9X-7138	1	STARTING AID GP-ETHER	1621
		1	STARTING AID GP-ETHER	1623
FILTER AS-ETHER	7X-1786	1	STARTING AID GP-ETHER	1621
FUSE (10-AMPERE)	3K-8782	1	STARTING AID GP-ETHER	1625
GASKET (ADAPTER)	4N-1320	1	KIT-CONVERSION	1479
GASKET-SHUTDOWN	2W-2333	1	SHUTOFF GP-ELECTRICAL	1600



# MAINTENANCE PARTS

DESCRIPTION	PART NUMBER	QTY	WHERE USED	PAGE
		1	SHUTOFF GP-ELECTRICAL	1603
SCREEN-STRAINER (PRESSURE REDUCING VALVE)	252-9298	1	VALVE GP-PRESSURE REDUCING	1832
SEAL-VALVE COVER	272-0760	9	KIT-CONVERSION	1475
		12	KIT-CONVERSION	1475
FUEL SYSTEM				
CAP-BREATHER (ATMOSPHERIC)	123-9693	1	GOVERNOR GP	1031
		1	GOVERNOR GP	1033
FILTER ELEMENT-FUEL	7W-0733	7	FILTER GP-FUEL	1009
	8N-9850	7	FILTER GP-FUEL	1004
		5	FILTER GP-FUEL	1007
		5	FILTER GP-FUEL	1010
		5	FILTER GP-FUEL	1021
		5	FILTER GP-FUEL	1023
		5	FILTER GP-FUEL	1025
	9M-2342	1	FILTER GP-PRIMARY FUEL	1027
FILTER ELEMENT-FUEL (ADVANCED EFFICIENCY)	1R-0756	5	FILTER GP-FUEL	1002
		5	FILTER GP-FUEL	1012
		5	FILTER GP-FUEL	1014
		5	FILTER GP-FUEL	1016
		7	FILTER GP-FUEL	1018
FUSE (0.75-AMPERE)	7T-0037	1	GOVERNOR GP-ELECTRONIC	1160
GASKET (FUEL FILTER)	9Y-8389	1	FILTER GP-FUEL	1018
GASKET (FUEL PRIMING PUMP)	1P-0436	1	FILTER GP-FUEL	1007
		1	FILTER GP-FUEL	1010
	9Y-8389	1	PUMP GP-FUEL PRIMING	1234
GASKET (PRIMING PUMP/COVER)	9Y-8389	1	FILTER GP-FUEL	1002
		1	FILTER GP-FUEL	1012
		1	FILTER GP-FUEL	1014
		1	FILTER GP-FUEL	1016
GASKET-GUIDE	2W-0142	1	CONTROL GP-FUEL RATIO	967
		1	CONTROL GP-FUEL RATIO	968
		1	CONTROL GP-FUEL RATIO	970
		1	GOVERNOR GP	1049
		1	GOVERNOR GP	1058
		1	GOVERNOR GP	1089
		1	GOVERNOR GP	1132
LUBRICATION SYSTEM				
BREATHER AS (CHROME) (CRANKCASE)	126-0577	1	BREATHER GP	442
		1	BREATHER GP	443
BREATHER AS (CRANKCASE)	4W-3027	3	BREATHER GP	440
		4	BREATHER GP	444
		2	BREATHER GP	446
CAP AS-ENGINE OIL FILLER	128-5988	1	FILLER GP-ENGINE OIL	451
	262-6104	1	FILLER GP-ENGINE OIL	450

# MAINTENANCE PARTS

DESCRIPTION	PART NUMBER	QTY	WHERE USED	PAGE
	7L-4447	1	FILLER GP-ENGINE OIL	452
FILTER ELEMENT AS-ENGINE OIL (STANDARD EFFICIENCY)	1R-0726	3	FILTER GP-ENGINE OIL	455
		3	FILTER GP-ENGINE OIL	463
		4	FILTER GP-ENGINE OIL	470
		4	FILTER GP-ENGINE OIL	473
FILTER ELEMENT AS-OIL	7N-7500	3	FILTER GP-ENGINE OIL	477
FILTER ELEMENT AS-OIL (ENGINE)	4P-2839	3	FILTER GP-ENGINE OIL	457
		3	FILTER GP-ENGINE OIL	460
		4	FILTER GP-ENGINE OIL	467
SCREEN AS-SUCTION (ENGINE OIL PAN)	7C-4716	1	CONNECTION GP-OIL	449
SCREEN-SCAVENGE (ENGINE OIL)	1N-3226	1	PUMP GP-SCAVENGE	574
SEAL (OIL FILTER)	4W-3251	2	FILTER GP-ENGINE OIL	457
		2	FILTER GP-ENGINE OIL	460
		2	FILTER GP-ENGINE OIL	467
SEAL-VALVE COVER (BREATHER)	272-0757	1	BREATHER GP	442
		2	BREATHER GP	446
	272-0760	3	BREATHER GP	440
		1	BREATHER GP	443
		4	BREATHER GP	444
SEAL-VALVE COVER (OIL FILLER)	272-0760	1	FILLER GP-ENGINE OIL	450
		1	FILLER GP-ENGINE OIL	451
STRAINER AS (ENGINE OIL)	2G-6304	1	LINES GP-OIL SUPPLY	513
		1	PUMP & LINES GP-PRELUBRICATION	534
		1	PUMP & LINES GP-PRELUBRICATION	536
OPERATOR STATION				
CIRCUIT BREAKER AS (10-AMPERE)	114-1142	5	BOX GP-INSTRUMENT PANEL	1867
		5	BOX GP-INSTRUMENT PANEL	1870
CIRCUIT BREAKER AS (12.5-AMPERE)	1N-9770	1	PANEL GP-CONTROL	2017
CIRCUIT BREAKER AS (16-AMPERE)	114-1143	2	BOX GP-INSTRUMENT PANEL	1867
		2	BOX GP-INSTRUMENT PANEL	1870
CIRCUIT BREAKER AS (20-AMPERE)	116-7654	1	PANEL GP-CONTROL	2039
		1	PANEL GP-CONTROL	2041
		1	PANEL GP-CONTROL	2044
		1	PANEL GP-CONTROL	2048
		1	PANEL GP-CONTROL	2051
CIRCUIT BREAKER AS (32-AMPERE)	107-5857	1	BOX GP-INSTRUMENT PANEL	1867
		1	BOX GP-INSTRUMENT PANEL	1870
CIRCUIT BREAKER AS (50-AMPERE)	116-7655	1	BOX GP-INSTRUMENT PANEL	1867
		1	BOX GP-INSTRUMENT PANEL	1870
CIRCUIT BREAKER AS (63-AMPERE)	107-5856	1	BOX GP-INSTRUMENT PANEL	1866
		1	BOX GP-INSTRUMENT PANEL	1869
CIRCUIT BREAKER GP (20-AMPERE)	9H-1958	1	PANEL GP-CONTROL	2021
		1	PANEL GP-CONTROL	2025
		1	PANEL GP-CONTROL	2029
		2	PANEL GP-CONTROL	2034

# MAINTENANCE PARTS

DESCRIPTION	PART NUMBER	QTY	WHERE USED	PAGE
		1	PANEL GP-CONTROL	2042
		1	PANEL GP-CONTROL	2045
		1	PANEL GP-CONTROL	2048
		1	PANEL GP-CONTROL	2051
FUSE (0.75-AMPERE)	7T-0037	1	PANEL GP-CONTROL	2030
FUSE (10-AMPERE)	3K-8782	20	PANEL GP-CONTROL	2017
		20	PANEL GP-CONTROL	2021
		20	PANEL GP-CONTROL	2025
		20	PANEL GP-CONTROL	2029
		20	PANEL GP-CONTROL	2033
		20	PANEL GP-CONTROL	2038
		20	PANEL GP-CONTROL	2041
		20	PANEL GP-CONTROL	2044
		20	PANEL GP-CONTROL	2047
		20	PANEL GP-CONTROL	2050
FUSE (2-AMPERE)	7W-0482	3	PANEL GP-CONTROL	2017
		3	PANEL GP-CONTROL	2021
		3	PANEL GP-CONTROL	2025
		3	PANEL GP-CONTROL	2029
		3	PANEL GP-CONTROL	2033
		3	PANEL GP-CONTROL	2038
		3	PANEL GP-CONTROL	2041
		3	PANEL GP-CONTROL	2044
		3	PANEL GP-CONTROL	2047
		3	PANEL GP-CONTROL	2050
	8D-8724	1	PANEL GP-CONTROL	2034
LAMP (12-VOLT) (12 VOLT)	5D-0284	3	PANEL GP-INSTRUMENT	2065
LAMP (120-VOLT, 6-WATT) (CLEAR)	5N-3615	2	MODULE GP-SYNCHRONIZING LIGHTS	1996
		2	MODULE GP-SYNCHRONIZING LIGHTS	1998
LAMP (24-VOLT, 0.17-AMPERE) (CLEAR)	100-3245	2	BOX GP-INSTRUMENT PANEL	1871
LAMP (24-VOLT, 0.2-AMPERE) (CLEAR)	7N-5876	2	PANEL GP-CONTROL	2033
		3	PANEL GP-ELECTRONIC	2054
LAMP (24-VOLT)	5D-0019	8	PANEL GP-INSTRUMENT	2071
		4	PANEL GP-INSTRUMENT	2075
LAMP (24-VOLT) (CLEAR)	8D-1429	2	BOX GP-INSTRUMENT PANEL	1867
LAMP (MINIATURE)(28 VOLT)	5D-1708	8	PANEL GP-INSTRUMENT	2069
		4	PANEL GP-INSTRUMENT	2073
LAMP AS (120-VOLT, 3-WATT) (CLEAR)	7G-9730	2	PANEL GP-CONTROL	2034
		2	PANEL GP-ELECTRONIC	2054
SERVICE EQUIPMENT AND SUPPLIES				
GASKET (ADAPTER)	4N-1320	2	KIT-GASKET	2129
		2	KIT-GASKET	2130
		1	KIT-GASKET	2131
		2	KIT-GASKET	2134
		2	KIT-GASKET	2136
		2	KIT-GASKET	2138

# MAINTENANCE PARTS

DESCRIPTION	PART NUMBER	QTY	WHERE USED	PAGE
SEAL (OIL FILTER)	4W-3251	2	KIT-GASKET	2131
SEAL-INTEGRAL	234-8937	2	KIT-GASKET	2132

# INDEX

NAME	PAGE	NAME	PAGE
<b>A</b>			
ACTUATOR GP-GOVERNOR.....	959	BATTERY GP.....	1327
ADAPTER GP-AIR CLEANER .....	799		1329
	800		1331
AFTERCOOLER GP-TREATED WATER.....	801		1333
	802		1335
AFTERCOOLER GP-WATER .....	803		1337
	805		1338
	807	BATTERY GP (12-VOLT) (DRY).....	1341
AIR CLEANER GP .....	809	BATTERY GP-DRY.....	1342
	810	BELT-SERPENTINE (ALTERNATOR).....	331
	811		333
	812	BOX AS-CONTROL.....	1343
	813		1344
AIR COMPRESSOR GP .....	24	BOX GP-INSTRUMENT PANEL.....	1865
	26		1866
	28		1869
	30		1874
	34		1875
	38		1876
ALTERNATOR GP-CHARGING .....	1307	BOX GP-JUNCTION .....	1348
	1309		1350
	1311		1353
	1313	BOX GP-JUNCTION-POWER	
	1316	DISTRIBUTION .....	1345
	1319	BREATHER (ATMOSPHERIC) .....	1839
	1322	BREATHER (ATMOSPHERIC)	
AMMETER AS .....	2065	(ATMOSPHERIC) .....	308
AMMETER AS (60-AMPERE).....	2071		1835
	2075	BREATHER AS (CHROME) (CRANKCASE)....	442
AMMETER GP .....	1864		443
<b>B</b>			
BAR GP-GROUND.....	2033	BREATHER AS (CRANKCASE).....	308
BARRING GP-LH.....	42		320
BARRING GP-RH .....	41		322
BASE GP-ENGINE & TRANSMISSION.....	1850		440
BASE GP-VALVE COVER.....	43		444
BATTERY (12-VOLT) (DRY).....	1335	BREATHER GP .....	440
	1337	BREATHER GP-CRANKCASE.....	442
	1338		443
	1339		444
BATTERY (6 VOLT) .....	1327		446
BATTERY (6-VOLT).....	1329	<b>C</b>	
	1331	CAMSHAFT GP .....	44
BATTERY (6-VOLT) (24-VOLT) .....	1333		46
BATTERY CHARGER.....	1323		47
	1324		48
	1325		49
	1326	CAP AS-ENGINE OIL FILLER.....	308
			450
			451
			452
		CAP GP-PROTECTION .....	2098
		CAP-BREATHER (ATMOSPHERIC) .....	1031
			1033
		CAP-PRESSURE (14-PSI) (COOLANT TANK)...	783

# INDEX

NAME	PAGE	NAME	PAGE
CAP-PRESSURE (14-PSI) (EXPANSION TANK) .....	784	CIRCUIT BREAKER AS (63-AMPERE) .....	1866
	790		1869
CAP-PRESSURE (7-PSI) .....	787	CIRCUIT BREAKER AS (70-AMPERE, DOUBLE POLE) (ALTERNATOR, STARTING MOTOR) .....	1345
CAP-PRESSURE (7-PSI) (COOLANT TANK) .....	783	CIRCUIT BREAKER AS (80 AMP) .....	1412
CAP-PRESSURE (7-PSI) (EXPANSION TANK) .....	784	CIRCUIT BREAKER GP .....	1355
	790		1356
CARTRIDGE GP-TURBOCHARGER .....	814	CIRCUIT BREAKER GP (20-AMPERE) .....	1803
	815		2021
	816		2025
	818		2029
	820		2034
	822		2042
	824		2045
	826		2048
	916		2051
	917	CIRCUIT BREAKER GP (60-AMPERE) .....	1356
	922	CLUTCH AS .....	50
	928	CLUTCH GP .....	52
CHART-3500 RESIDUAL FUEL .....	2099	CONNECTION GP-EXPANSION TANK-AUXILIARY .....	604
CHART-ALARM SYSTEM .....	2100	CONNECTION GP-OIL .....	447
	2102		448
CHART-AUXILIARY DRIVE .....	2103		449
CHART-CONTROL PANEL .....	2105	CONNECTION GP-TORQUE CONV CLR .....	605
CHART-INSTRUMENT PANEL .....	2115	CONNECTION GP-WATER-INLET .....	607
CHART-PLATE & FILM .....	2118	CONNECTION GP-WATER-INLET, LH .....	610
CHART-PYROMETER .....	2119	CONNECTION GP-WATER-INLET, RH .....	609
CHART-SUMP PUMP .....	2121	CONNECTOR-THERMOCOUPLE .....	1357
	2124	CONTACTOR AS .....	1358
CIRCUIT BREAKER AS (10-AMPERE) .....	1351	CONTACTOR GP .....	1359
	1353		1360
	1867		1361
	1870		1363
CIRCUIT BREAKER AS (12.5-AMPERE) .....	1801		1364
	2017	CONTACTOR GP-ALARM .....	1359
CIRCUIT BREAKER AS (15-AMPERE) .....	1802	CONTACTOR GP-INLET MANIFOLD TEMPERATURE .....	1365
CIRCUIT BREAKER AS (16-AMPERE) .....	1867	CONTACTOR GP-OIL PRESSURE, WATER TEMPERATURE .....	1362
	1870	CONTACTOR-PRESSURE .....	1366
CIRCUIT BREAKER AS (20-AMPERE, DOUBLE POLE) (MARINE POWER DISPLAY) .....	1345	CONTACTOR-TEMPERATURE .....	1367
CIRCUIT BREAKER AS (20-AMPERE, DOUBLE POLE) (PRIMARY ECM) .....	1345	CONTROL & MTG GP-ENGINE ELEK .....	1368
CIRCUIT BREAKER AS (20-AMPERE, DOUBLE POLE) (SECONDARY ECM) .....	1345	CONTROL & MTG GP-ENGINE ELEK-PRIMARY .....	1370
CIRCUIT BREAKER AS (20-AMPERE) .....	1350	CONTROL & MTG GP-ENGINE ELEK-SECONDARY .....	1371
	1353	CONTROL AS-ELECTRONIC GOVERNOR-LOAD SHARE MODULE .....	1373
	1355		
	1794		
	2039		
	2041		
	2044		
	2048		
	2051		
CIRCUIT BREAKER AS (30-AMPERE) .....	1805		
CIRCUIT BREAKER AS (32-AMPERE) .....	1867		
	1870		
CIRCUIT BREAKER AS (40-AMPERE, DOUBLE POLE) (AIR SHUTOFF) .....	1345		
CIRCUIT BREAKER AS (50-AMPERE) .....	1867		
	1870		

# INDEX

NAME	PAGE	NAME	PAGE
CONTROL GP-AIR STARTING .....	1374	COOLER GP-ENGINE OIL .....	611
	1385		612
	1387	CORE AS (SOLENOID) .....	1614
	1389	CORE AS-AFTERCOOLER .....	306
	1391		309
	1393		801
	1394		802
	1395		803
	1396		805
	1398		807
	1400		1475
	1402	CORE AS-OIL COOLER .....	612
CONTROL GP-AIR STARTING-LH .....	1380	CORE GP-OIL COOLER-ENGINE .....	613
	1382	COUPLING GP-FLEXIBLE .....	56
CONTROL GP-AIR STARTING-RH .....	1376		58
	1378		60
CONTROL GP-AUTO START/STOP .....	1404		62
CONTROL GP-ELECTRONIC (RELAY MODULE) .....	1879		64
			66
CONTROL GP-ELECTRONIC (RELAY MODULE) (GENERATOR SET CONTROL +) .....	1886		68
CONTROL GP-EMCP ELECTRONIC .....	1877		70
	1878	COUPLING GP-FLEXIBLE-GENERATOR .....	54
	1879		55
	1880	COUPLING GP-TORSIONAL .....	72
	1881		73
	1882		75
	1883		77
	1884		78
	1885		80
	1886	COVER GP-ACCESSORY DRIVE-RH .....	82
CONTROL GP-ENGINE ELECTRONIC .....	309		83
	1405	COVER GP-CAMSHAFT .....	84
	1406		85
	1407	COVER GP-CYLINDER BLOCK .....	86
CONTROL GP-ENGINE MONITORING .....	1887	COVER GP-CYLINDER BLOCK-CENTRAL STRUCTURE .....	88
	1888		90
CONTROL GP-FUEL INJECTION .....	961	COVER GP-CYLINDER BLOCK-CRANKCASE ...	87
	964	COVER GP-FLYWHEEL HOUSING .....	92
CONTROL GP-FUEL RATIO .....	967		94
	968		96
	970		98
CONTROL GP-GOVERNOR .....	973	COVER GP-FLYWHEEL HOUSING-REAR .....	91
	974	COVER GP-FRONT HOUSING .....	100
	976		102
	977	COVER GP-FRONT HOUSING-LH .....	101
	978	COVER GP-GOVERNOR .....	983
	979		984
	981		985
	982	COVER GP-INSTRUMENT PANEL .....	1889
CONTROL GP-GOVERNOR-REMOTE .....	972	COVER GP-MODULE CONNECTOR .....	1411
CONTROL GP-UNPRGMED MONITOR (CATERPILLAR MONITORING SYSTEM) .....	1888	COVER GP-OIL PAN .....	103
CONTROL GP-VOLTAGE .....	1408		104
CONVERSION AR-ENGINE .....	1		105
	2	COVER GP-PUMP .....	1252
	3		1254
CONVERSION AR-GENERATOR SET .....	2	COVER GP-VALVE MECHANISM .....	106
	3		107
CONVERSION GP-WIRING .....	1409		108
	1410		109
			110

# INDEX

NAME	PAGE	NAME	PAGE
CRANKSHAFT AS.....	111		
CRANKSHAFT GP.....	112		
	113		
	114		
CYLINDER BLOCK AS.....	116		
	117		
	118		
	119		
	120		
	121		
	122		
	123		
	124		
	125		
CYLINDER BLOCK GP.....	126		
	127		
	129		
	132		
	135		
	137		
	139		
	141		
	143		
	144		
	145		
	147		
CYLINDER HEAD AS.....	149		
	150		
	151		
	152		
	153		
	154		
CYLINDER HEAD GP.....	155		
	157		
	159		
	161		
	163		
	165		
	166		
	167		
	168		
	169		
		<b>D</b>	
		DAMPER GP.....	170
			171
			172
			173
			174
			175
			176
			177
			178
			179
			180
			181
			182
			183
			184
			185
			186
			187
		DRAIN GP-ENGINE OIL.....	188
		DRAIN GP-ENGINE OIL-PAN.....	189
		DRIVE GP-ACCESSORY.....	190
			192
			226
			228
		DRIVE GP-ACCESSORY-LOWER, LH.....	196
			202
			204
			216
			220
			222
			224
		DRIVE GP-ACCESSORY-UPPER LH.....	212
			214
		DRIVE GP-ACCESSORY-UPPER, LH.....	206
			208
			210
			218
		DRIVE GP-ACCESSORY-UPPER, RH.....	194
			198
			200
		DRIVE GP-FAN.....	230
		DRIVE GP-GOVERNOR.....	986
			988
		DRIVE GP-TACHOMETER.....	990
			992
		<b>E</b>	
		ELBOW GP-EXHAUST.....	828
		ELBOW-EXHAUST.....	829
			830
		ELECTRONICS GP-ENGINE.....	21
		ELEMENT AS-JACKET WATER HEATER (120- VOLT).....	1463
		ENCLOSURE GP.....	1852



# INDEX

NAME	PAGE	NAME	PAGE
ENCLOSURE GP-WIRING.....	1412	FILM-GAUGE (MANIFOLD AIR	
	1414	TEMPERATURE) .....	2063
	1416		2077
	1418	FILM-GAUGE IDENTIFICATION (AMMETER) ..	1864
	1420	FILM-GAUGE IDENTIFICATION (ENGINE	
ENGINE AR.....	4	HOURS) .....	1977
	8		1978
	12	FILM-GAUGE IDENTIFICATION (TRANSMISSION	
	15	OIL PRESSURE) .....	1895
ENGINE AR-COMPLETE .....	20		1896
	22		1897
 <b>F</b> 			
FASTENER GP-CYLINDER HEAD .....	155	FILM-IDENTIFICATION (10-AMPERE FUSE)...	2017
	159		2021
FASTENER GP-FUEL INJ PUMP .....	998		2025
	1000		2029
FASTENER GP-FUEL INJ PUMP-LH .....	996		2033
FASTENER GP-FUEL INJ PUMP-RH .....	994		2038
FASTENER GP-JUNCTION BOX .....	1422		2041
FASTENER GP-VALVE MECHANISM-RH .....	231		2044
FASTENER GP-WIRING HARNESS.....	1423		2047
	1425		2050
FILLER GP-ENGINE OIL .....	450	FILM-IDENTIFICATION (2-AMPERE FUSE) ....	2017
	451		2021
	452		2025
FILM GP-ENGINE .....	2126		2029
FILM-CONTROL PANEL .....	2055		2033
FILM-CONTROL PANEL (ALARM MODULE)...	1987		2038
FILM-CONTROL PANEL (AUTO STARTING			2041
AID) .....	2018		2044
	2022		2047
	2026		2050
	2030	FILM-IDENTIFICATION (ALARM MODULE) ....	1991
	2034		1992
FILM-CONTROL PANEL (AUTOMATIC STARTING		FILM-IDENTIFICATION (CONTROL PANEL-	
AID) .....	2038	ANNUNCIATOR).....	1990
	2041	FILM-IDENTIFICATION (CONTROL PANEL) ...	1989
	2044	FILM-IDENTIFICATION (CONTROL PANEL) ...	2017
	2047		2021
	2050		2025
FILM-CONTROL PANEL (CATERPILLAR			2029
MONITORING SYSTEM) .....	1866		2033
	1869		2038
FILM-CONTROL PANEL (CUSTOM ALARM			2041
MODULE IDENTS).....	1983		2044
	1985		2047
FILM-CONTROL PANEL (CUSTOM ALARM			2050
MODULE).....	1983	FILM-IDENTIFICATION (EMERGENCY	
	1985	STOP) .....	1350
FILM-CONTROL PANEL (GENERATOR SET			1353
CONTROL +) .....	1879	FILM-IDENTIFICATION (ENGINE OIL FILL)....	452
	1898	FILM-IDENTIFICATION (ENGINE OIL	
FILM-CONTROL PANEL (MANUAL STARTING		PRESSURE) .....	2062
AID) .....	1813		2063
FILM-EMCP II .....	1881		2077
	1882		2079
	1885		

# INDEX

NAME	PAGE	NAME	PAGE
FILM-IDENTIFICATION (ENGINE OIL TEMPERATURE) .....	2063	FILM-INFORMATION (OIL FILTER PRESSURE DIFF) .....	2063
	2077		2066
FILM-IDENTIFICATION (ENGINE START) .....	1602		2077
	1605		2083
	1809	FILM-INFORMATION (ROTATION, FIRING ORDER) .....	44
FILM-IDENTIFICATION (ENGINE STOP).....	1602	FILM-INFORMATION (STANDARD ROTATION) ..	44
	1605	FILM-INSTRUMENT PANEL (TERMINAL BOX) .....	1866
	1809		1869
FILM-IDENTIFICATION (FUEL FILTER PRESSURE DIFF) .....	2063	FILM-SYCHRONIZING PANEL .....	1996
	2077		1998
FILM-IDENTIFICATION (FUEL PRESSURE)....	2062	FILM-TERMINAL STRIP .....	2017
	2063		2038
	2077	FILM-WARNING (CRANKCASE) .....	2118
	2079	FILM-WARNING (ELECTRICAL SHOCK HAZARD) .....	2018
FILM-IDENTIFICATION (JACKET WATER TEMPERATURE) .....	2062		2022
	2063		2026
	2077		2030
	2079		2038
FILM-IDENTIFICATION (POWER DISTRIBUTION) .....	1346		2041
FILM-IDENTIFICATION (REVERSE POWER)...	2000		2044
FILM-IDENTIFICATION (SERVICE METER)....	1482		2047
FILM-IDENTIFICATION (TERMINAL MARKER) .....	1350		2050
	1353	FILM-WARNING (HOT FLUID UNDER PRESSURE, U.S.) .....	783
	1414		784
	1416		790
	1418	FILM-WARNING (HOT SURFACE) .....	611
	1420	FILM-WARNING (PARKING BRAKE, INTERNATIONAL) .....	2131
	1877	FILM-WARNING (SHOCK HAZARD, READ OMM) .....	1459
	2021		1460
	2025		1461
	2039		1462
	2041		1466
	2042		1467
	2044	FILTER (ETHER) .....	1623
	2045	FILTER & GASKET AS (ETHER STARTING AID) .....	1621
	2048		1623
	2051	FILTER AS-ETHER .....	1621
FILM-IDENTIFICATION (TERMINAL) .....	2017	FILTER ELEMENT AS-AIR (PRIMARY) .....	811
	2021		812
	2025	FILTER ELEMENT AS-AIR (SECONDARY) .....	811
	2029	FILTER ELEMENT AS-ENGINE OIL (STANDARD EFFICIENCY) .....	320
	2033		322
	2038		455
	2041		463
	2044		470
	2047		473
	2050	FILTER ELEMENT AS-OIL .....	477
FILM-IDENTIFICATION (WIRE) .....	1867	FILTER ELEMENT AS-OIL (ENGINE) .....	457
	1870		460
FILM-INFORMATION (CONTROL PANEL) .....	1882		467
	1883		
FILM-INFORMATION (GENERATOR SET CONTROL +) .....	1879		
	1880		

# INDEX

NAME	PAGE	NAME	PAGE
FILTER ELEMENT-FUEL .....	1004	FLYWHEEL GP .....	232
	1007		233
	1009		234
	1010		235
	1021		236
	1023		237
	1025	FUSE (0.75-AMPERE) .....	1160
	1027		2030
FILTER ELEMENT-FUEL (ADVANCED EFFICIENCY).....	320	FUSE (10-AMPERE).....	1625
	322		2017
	1002		2021
	1012		2025
	1014		2029
	1016		2033
	1018		2038
FILTER GP-CENTRIFUGAL.....	453		2041
	454		2044
FILTER GP-ENGINE OIL.....	476		2047
FILTER GP-ENGINE OIL-DUPLEX.....	467		2050
	470	FUSE (2-AMPERE) .....	2017
	473		2021
FILTER GP-ENGINE OIL-LH .....	457		2025
	463		2029
FILTER GP-ENGINE OIL-RH.....	455		2033
	460		2034
FILTER GP-FUEL.....	1004		2038
	1007		2041
	1009		2044
	1021		2047
	1023		2050
	1025		
FILTER GP-FUEL-DUPLEX.....	1018		
FILTER GP-FUEL-LH.....	1016		
FILTER GP-FUEL-RH.....	1002		
	1010		
	1012		
	1014		
FILTER GP-PRIMARY FUEL .....	1027		
FILTER-SOOT (AIR CLEANER).....	809		
FILTER-SOOT (AIR CLEANER) (AIR CLEANER) .....	813		
FITTING GP-EXHAUST .....	831		
	835		
FITTING GP-EXHAUST-FLEXIBLE .....	832		
	833		
	834		
FLANGE GP-EXHAUST .....	836		
	837		
	838		
	839		
	840		
	841		
	842		
FLYWHEEL GP.....	1028		
	1029		
	1030		
		GASKET .....	320
			322
		GASKET (ADAPTER) .....	301
			315
			318
			319
			350
			362
			364
			605
			652
			654
			688
			706
			708
			1479
			2129
			2130
			2131
			2134
			2136
			2138
		GASKET (FUEL FILTER).....	1018
		GASKET (FUEL PRIMING PUMP) .....	1007
			1010
		GASKET (FUEL PRIMING PUMP) .....	1234

## G

# INDEX

NAME	PAGE	NAME	PAGE
GASKET (PRIMING PUMP/COVER).....	1002	GAUGE GP-TEMPERATURE (TEMPERATURE)	
	1012	(MANIFOLD AIR) .....	2077
	1014	GAUGE GP-TEMPERATURE (TEMPERATURE)	
	1016	(TRANSMISSION OIL) .....	1896
GASKET-EXHAUST MANIFOLD.....	316	GAUGE GP-VACUUM (AIR PRESSURE	
GASKET-GUIDE .....	967	RESTRICTION).....	2063
	968		2077
	970	GAUGE GP-ENGINE OIL PRESSURE, WATER	
	1049	TEMPERATURE .....	1890
	1058		1891
	1089	GAUGE-PRESSURE (AIR).....	1815
	1132	GAUGE-PRESSURE (ENGINE OIL).....	1893
GASKET-SHUTDOWN.....	1600	GAUGE-SIGHT (OIL LEVEL) (GOVERNOR	
	1603	OIL) .....	1031
GAUGE (ENGINE OIL PRESSURE).....	2069		1033
	2073	GEAR GP-FRONT .....	260
GAUGE (ENGINE OIL PRESSURE) (24			262
VOLT) .....	1890		264
GAUGE (WATER TEMPERATURE) .....	1891	GEAR GP-FRONT-LOW SPEED, STANDARD	
	2071	ROTATION.....	238
	2075		240
GAUGE AS-OIL LEVEL (DIPSTICK).....	482	GEAR GP-FRONT-RH .....	242
GAUGE AS-OIL LEVEL (DIPSTICK) (DEEP			245
SUMP).....	480		249
GAUGE AS-OIL LEVEL (DIPSTICK)			253
(ENGINE) .....	479		256
GAUGE AS-PRESSURE (ENGINE OIL) .....	2062	GEAR GP-REAR .....	268
	2063		270
	2077		272
GAUGE AS-PRESSURE (FUEL) .....	2062	GEAR GP-REAR-CAMSHAFT DRIVE .....	266
	2063	GOVERNOR GP.....	1031
	2077		1033
	2079		1035
GAUGE AS-PRESSURE (JACKET WATER) ...	2079		1037
GAUGE AS-PRESSURE (TRANSMISSION			1039
OIL) .....	1895		1040
	1896		1045
	1897		1047
GAUGE AS-TEMPERATURE (AIR			1057
MANIFOLD) .....	2063		1064
GAUGE AS-TEMPERATURE (TRANSMISSION			1071
OIL) .....	1895		1079
	1897		1087
GAUGE GP-ENGINE OIL PRESSURE .....	1894		1097
GAUGE GP-ENGINE OIL PRESSURE-			1105
INDICATOR .....	1893		1113
GAUGE GP-MARINE GEAR OIL.....	1895		1121
	1896		1122
	1897		1130
GAUGE GP-OIL LEVEL (DIPSTICK) .....	479		1141
	481		1142
	482		1143
GAUGE GP-OIL LEVEL (DIPSTICK)-DEEP			1144
SUMP .....	480		1152
GAUGE GP-TEMPERATURE (TEMPERATURE)		GOVERNOR GP-ELECTRONIC-LOAD	
(ENGINE OIL).....	2077	SHARE .....	1160
	2079	GOVERNOR GP-LH.....	1039
GAUGE GP-TEMPERATURE (TEMPERATURE)			1045
(JACKET WATER).....	2077		1140
			1141

# INDEX

NAME	PAGE	NAME	PAGE
GOVERNOR GP-RH.....	1140	HARNESS AS-PANEL (GOVERNOR).....	2017
	1143		2035
GOVERNOR GP-WOODWARD-LH.....	1046	HARNESS AS-PANEL (GOVERNOR) (EMCP	
GREASE GUN GP .....	2127	II) .....	1160
GUARD GP-BELT-ALTERNATOR.....	274	HARNESS AS-PANEL (INTERNAL	
	275	COMPONENTS) .....	1867
	276		1870
	277		2029
	278		2033
GUARD GP-COUPLING.....	279		2051
	280	HARNESS AS-PANEL (INTERNAL) .....	2017
GUARD GP-DAMPER.....	281		2021
	282		2025
		HARNESS AS-PANEL (JUNCTION BOX).....	1350
		HARNESS AS-PANEL (LOAD SHARE GOVERNOR	
		& METERING).....	1974
		HARNESS AS-PANEL (POWER	
		METERING).....	1974
		HARNESS AS-PANEL (PYROMETER).....	1865
			2055
		HARNESS AS-PANEL (PYROMETER) (LH)....	2086
		HARNESS AS-PANEL (PYROMETER) (RH) ...	2085
		HARNESS AS-PANEL (QUAD GAUGE	
		MODULE).....	1869
		HARNESS AS-PANEL (RELAY MODULE) .....	2039
			2042
			2045
			2048
		HARNESS AS-PANEL (REVERSE POWER	
		RELAY).....	2000
		HARNESS AS-PANEL (SYNCHRONIZING LIGHTS	
		MODULE).....	2000
		HARNESS AS-PANEL (TERMINAL BLOCK	
		CONNECTION).....	2038
		HARNESS AS-PANEL (TERMINAL BLOCK) ...	2041
			2044
			2047
			2051
		HARNESS AS-PANEL (TERMINAL STRIP) .....	2039
			2042
			2045
			2048
		HARNESS AS-PANEL-AC CONNECTIONS ....	1440
			1441
		HARNESS AS-PANEL-AC EXTERNAL .....	1442
			1443
		HARNESS AS-PANEL-AC INTERNAL.....	1442
			1443
		HARNESS AS-PANEL-ALARM MODULE .....	1443
		HARNESS AS-PANEL-ALARM, NFPA 110 ....	1443
		HARNESS AS-PANEL-AUTOMATIC	
		MODULE.....	1442
		HARNESS AS-PANEL-DC.....	1445
		HARNESS AS-PANEL-DC EXTERNAL .....	1442
			1443
		HARNESS AS-PANEL-DC INTERNAL.....	1442
		HARNESS AS-PANEL-GENERATOR SET	
		CONTROL .....	1440
			1441
			1444

## H

# INDEX

NAME	PAGE	NAME	PAGE
HARNESS AS-PANEL-GOVERNOR.....	1440	HEATER GP-JACKET WATER-RH.....	1460
	1441		1462
HARNESS AS-PANEL-MANUAL MODULE.....	1442		1463
HARNESS AS-PANEL-PRODUCT LINK.....	1445		1464
HARNESS AS-PANEL-RELAY 2.....	1441		1465
HARNESS AS-PANEL-SLAVE RELAY.....	1441		1466
HARNESS AS-PANEL-TERMINAL BLOCK.....	1439	HOSE AS.....	483
HARNESS AS-PANEL-TERMINAL STRIP.....	1440		484
HARNESS AS-POWER.....	1345		485
HARNESS AS-SENSOR.....	1446		486
HARNESS AS-SENSOR (SPEED).....	1578		487
HARNESS AS-SENSOR (THERMOCOUPLE) ..	1820		488
	1849		489
	2068		490
HARNESS AS-SWITCH (START).....	1785		491
HARNESS AS-WIRING (CURRENT			492
TRANSFORMER).....	1821		493
	1822	HOUSING & REGULATOR GP.....	645
	1823		646
	1824	HOUSING & REGULATOR GP-	
	1825	AFTERCOOLER.....	643
	1826	HOUSING & REGULATOR GP-INLET	
	1827	CONTROL.....	647
HARNESS AS-WIRING (PYROMETER).....	1847		648
	1848		649
			650
HARNESS AS-WIRING-VALVE		HOUSING GP-FLYWHEEL.....	283
MECHANISM.....	1447		284
HARNESS GP-WIRING.....	1448		285
	1454		286
HEAT EXCHANGER GP-SEA WATER.....	614		287
	615		288
	616		289
	617		290
	619	HOUSING GP-FRONT.....	292
	620		294
	621	HOUSING GP-FRONT-ACCESSORY DRIVE....	291
	622		293
	624	HOUSING GP-GOVERNOR.....	1161
	626		1162
	627		1163
	629		
	630		
	631		
	632		
	634		
	635	INDICATOR (GEAR OIL PRESSURE).....	2069
	636		2073
	638	INDICATOR (TRANSMISSION OIL	
	639	PRESSURE).....	2071
	640		2075
	641	INDICATOR (WATER TEMPERATURE).....	1890
HEATER GP-JACKET WATER.....	1457		2069
	1458		2073
	1468	INDICATOR AS (ENGINE OIL).....	494
	1469	INDICATOR AS (FUEL PRESSURE).....	1958
	1470		1960
HEATER GP-JACKET WATER-LH.....	1459		1962
	1461		1964
	1467		1966
			1968
		INDICATOR GP-AIR FILTER CHANGE.....	843

## I

# INDEX

NAME	PAGE	NAME	PAGE
INDICATOR GP-OIL FILTER CHANGE .....	494	KIT-GASKET-FRONT STRUCTURE .....	2130
INDICATOR-AIR FILTER SERVICE .....	843	KIT-GASKET-REAR STRUCTURE .....	2132
INDICATOR-PRESSURE (ENGINE OIL) .....	2065	KIT-GASKET-SINGLE FUEL INJECTOR.....	2139
INDICATOR-PRESSURE (GEAR OIL) .....	2065	KIT-GASKET-WATER PUMP .....	2135
INDICATOR-TEMPERATURE (WATER).....	2065		2136
INJECTOR GP-FUEL .....	1164	KIT-INSERT-CYLINDER BLOCK .....	2140
	1165	KIT-SEAL-SINGLE CYLINDER LINER.....	2141
	1166	KIT-SERVICE METER.....	1482
	1167	KIT-TURBOCHARGER GASKET .....	844
	1168	KIT-VALVE.....	2142
	1211	KIT-WATER PUMP .....	651
	1229		
	1230		
	1231		
	1233		
INSERT-LINER SEAT .....	2128		
		<b>L</b>	
		LAMP (12-VOLT) (12 VOLT) .....	2065
		LAMP (120-VOLT, 6-WATT) (CLEAR).....	1996
			1998
		LAMP (24-VOLT, 0.17-AMPERE) (CLEAR).....	1871
		LAMP (24-VOLT, 0.2-AMPERE) (CLEAR).....	2033
			2054
		LAMP (24-VOLT) .....	2071
			2075
		LAMP (24-VOLT) (CLEAR) .....	1867
		LAMP (MINIATURE)(28 VOLT).....	2069
			2073
		LAMP AS (120-VOLT, 3-WATT) (CLEAR) .....	2034
			2054
		LEVER GP-CALIBRATION (GOVERNOR).....	994
		LIFTING GP-ENGINE .....	323
			324
		LINER-CYLINDER BLOCK.....	325
		LINES GP-AFTERCOOLER WATER.....	652
			654
		LINES GP-AIR .....	846
			850
			851
			852
			854
			856
		LINES GP-AIR SHUTOFF.....	858
		LINES GP-AIR STARTING .....	1491
			1493
			1495
			1497
			1499
		LINES GP-AIR STARTING-RH .....	1483
			1485
			1487
			1489
			1502
			1504
		LINES GP-AIR-PRELUBRICATION PUMP .....	845
			849
		LINES GP-AUXILIARY FRESH WATER .....	656
			658
			660
			662

## K

# INDEX

NAME	PAGE	NAME	PAGE
LINES GP-AUXILIARY SEA WATER .....	664	LINES GP-INSTRUMENT PANEL-RH .....	1903
	666		1905
	668		1907
	670		1909
	672		1911
	674		1928
	676		1929
	678		1931
	680		1941
	682		1943
LINES GP-CENTRIFUGAL FILTER.....	495		1945
LINES GP-DIVERter VALVE .....	1169		1946
	1171		1950
LINES GP-ENGINE OIL .....	496		1951
	500		1954
	503		1958
	506		1960
	510		1964
LINES GP-FLEXIBLE FUEL .....	1173		1966
LINES GP-FUEL INJECTION .....	1174	LINES GP-OIL SUPPLY.....	515
	1178		517
	1182	LINES GP-OIL SUPPLY-PRELUBRICATION ....	513
	1185	LINES GP-PRELUBRICATION-LH.....	521
	1188		523
	1191	LINES GP-PRELUBRICATION-RH .....	518
	1194		520
LINES GP-FUEL RATIO CONTROL.....	1203	LINES GP-SHUTOFF .....	1508
	1204		1509
LINES GP-FUEL RATIO CONTROL-L.H.....	1199	LINES GP-SHUTOFF-LH.....	1510
LINES GP-FUEL RATIO CONTROL-R.H.....	1198	LINES GP-SHUTOFF-RH .....	1506
LINES GP-FUEL RATIO CONTROL-RH.....	1200	LINES GP-SUMP .....	525
	1201	LINES GP-SUMP-TRANSMISSION OIL.....	525
LINES GP-INSTRUMENT PANEL .....	1919	LINES GP-TURBOCHARGER AIR .....	860
	1921		862
	1923		865
	1924		868
	1926	LINES GP-TURBOCHARGER OIL.....	526
	1933		528
	1935		530
	1947		532
	1948	LINES GP-TURBOCHARGER WATER.....	684
	1970	LINES GP-WATER.....	699
	1971		700
	1972		704
	1973		710
LINES GP-INSTRUMENT PANEL-LH.....	1899	LINES GP-WATER-AFTERCOOLER.....	690
	1901		693
	1913	LINES GP-WATER-LOWER .....	688
	1915		706
	1917		708
	1918	LINES GP-WATER-TRANSMISSION	
	1937	COOLER.....	701
	1938		702
	1940	LINES GP-WATER-TURBOCHARGER.....	697
	1952		703
	1956		705
	1962	LINES GP-WATER-UPPER.....	686
	1968		712
		LINKAGE GP-GOVERNOR .....	1205





# INDEX

NAME	PAGE	NAME	PAGE
PANEL GP-CONTROL .....	2017	PLUG-DRAIN (WATER PUMP HOUSING) .....	762
	2021		764
	2025	PLUG-OIL DRAIN.....	105
	2029		350
	2033		352
	2038	PLUG-OIL DRAIN (ENGINE OIL PAN) .....	348
	2041		354
	2044		356
	2047		358
	2050		360
PANEL GP-ELECTRONIC .....	2054	POTENTIOMETER (10,000-OHM) (SPEED	
PANEL GP-INSTRUMENT.....	2055	ADJUST).....	2048
	2057	POTENTIOMETER (10,000-OHM) (VOLTAGE	
	2058	ADJUST).....	2018
	2059		2022
	2060		2026
	2062		2030
	2063		2034
	2065		2039
	2066		2041
	2068		2044
	2069		2051
	2071	POTENTIOMETER (100-OHM, 2-WATT)	
	2073	(GOVERNOR) .....	1160
	2075	POWER TAKE-OFF GP.....	381
	2077		382
	2079		383
	2081		384
	2083		386
PANEL GP-INSTRUMENT-EMCP II.....	2061		387
PARTS GP-ENGINE OVERHAUL .....	362		388
	364		389
PISTON & ROD GP .....	366	PROTECTION GP-ENGINE.....	1562
	368	PULLEY AS-CRANKSHAFT.....	391
	370		392
	372	PULLEY GP-AUXILIARY DRIVE-LOWER FRONT,	
	374	LH.....	394
	376		397
	378		398
PISTON GP.....	374	PULLEY GP-AUXILIARY DRIVE-LOWER REAR,	
	376	LH.....	395
PLATE AS-BRUSH .....	1561	PULLEY GP-AUXILIARY DRIVE-UPPER FRONT,	
PLATE GP-IDENTIFICATION (JUNCTION		LH.....	396
BOX) .....	1350	PULLEY GP-AUXILIARY DRIVE-UPPER REAR,	
	1353	LH.....	393
PLATE GP-INFORMATION-ROTATION, FIRING		PULLEY GP-AUXILIARY DRIVE-UPPER REAR,	
ORDER.....	2143	RH .....	399
PLATE-IDENTIFICATION (HEAT START			400
SWITCH).....	1889	PUMP & LINES GP-PRELUBRICATION-DEEP	
PLATE-WARNING (POWER TAKE-OFF).....	52	SUMP .....	534
PLUG GP-FLYWHEEL HOUSING.....	380		536
PLUG GP-INSTRUMENT PANEL .....	1411		
PLUG-DRAIN.....	190		
	192		
	688		
	706		
	708		
PLUG-DRAIN (AUXILIARY SEA WATER			
PUMP).....	726		
	748		

# INDEX

NAME	PAGE	NAME	PAGE
PUMP GP-AUXILIARY SEA WATER .....	714	PUMP GP-FUEL PRIMING-LH.....	1239
	716	PUMP GP-FUEL PRIMING-RH .....	1235
	717		1237
	719	PUMP GP-FUEL TRANSFER .....	1242
	721		1244
	723	PUMP GP-FUEL TRANSFER-1-SECTION	
	724	GEAR .....	1246
	726		1247
	728		1248
	730		1249
	732	PUMP GP-GEAR .....	1250
	734		1251
	736	PUMP GP-GEROTOR.....	1252
	738		1254
	740		1256
	742	PUMP GP-PRELUBRICATION .....	552
	744		554
	746		556
	748		558
PUMP GP-AUXILIARY WATER .....	752		560
	754		561
	756		563
	758		564
	760		565
	766		566
	768		568
PUMP GP-AUXILIARY WATER-FRESH			569
WATER.....	750		571
	762	PUMP GP-SCAVENGE .....	573
	764	PUMP GP-SCAVENGE-FRONT SUMP.....	574
PUMP GP-ENGINE OIL.....	547	PUMP GP-SUMP .....	575
PUMP GP-ENGINE OIL-2-SECTION GEAR.....	539		588
	541		590
	544		591
	545		593
	549	PUMP GP-SUMP-LH .....	582
	550		584
	551		586
PUMP GP-ENGINE OIL-MANUAL		PUMP GP-SUMP-RH .....	576
LUBRICATION.....	543		578
PUMP GP-FUEL INJECTION .....	1211		580
	1212	PUMP GP-WATER.....	769
	1213		770
	1214		772
	1216		773
	1217		774
	1219		776
	1220		777
	1221	PYROMETER GP.....	1865
	1222		2087
	1223		2088
	1224		2089
	1226		2090
	1228	PYROMETER GP (EXHAUST).....	2063
	1229		2077
	1230	PYROMETER GP (LH).....	2086
	1231	PYROMETER GP (RH) .....	2055
	1232		2085
	1233	PYROMETER GP-LH .....	2087
PUMP GP-FUEL PRIMING .....	1234	PYROMETER GP-PANEL, LH.....	2086
	1241		

# INDEX

NAME	PAGE	NAME	PAGE
PYROMETER GP-PANEL, RH.....	2085	ROD-ZINC (AUXILIARY SEA WATER PUMP)...	717
PYROMETER GP-RH.....	2087		724
			728
			730
			732
			748
<b>R</b>		ROD-ZINC (HEAT EXCHANGER).....	616
RAIL GP-ENGINE SUPPORT.....	1853		617
	1854		621
	1855		624
REGULATOR AS (24 VOLT)(ALTERNATOR) ..	1319		627
REGULATOR AS-VOLTAGE (24-VOLT) (ALTERNATOR AIR).....	1311		631
	1316		632
REGULATOR AS-VOLTAGE (24-VOLT) (ALTERNATOR) .....	1307		635
	1309		636
	1313		639
REGULATOR-TEMPERATURE (30-DEG C) (WATER).....	643		641
	645		
REGULATOR-TEMPERATURE (89-DEG C).....	647		
REGULATOR-TEMPERATURE (92-DEG C).....	320		
	322		
REGULATOR-TEMPERATURE (92-DEG C) (WATER).....	650		
REGULATOR-WATER TEMPERATURE.....	646		
REGULATOR-WATER TEMPERATURE (92-DEG C).....	648		
	649		
RELAY (10-AMPERE, 24-VOLT) .....	1563		
RELAY (10-AMPERE, 24-VOLT) (AUXILIARY) .....	1563		
	2033		
RELAY (24-VOLT) .....	1866		
	1869		
RELAY (24-VOLT) (ECM ENERGIZE) .....	1345		
RELAY AS .....	552		
	554		
	1563		
RELAY AS (24-VOLT) (AUXILIARY).....	1348		
RELAY AS (24-VOLT) (FUEL SHUT-OFF).....	1353		
RELAY AS (24-VOLT) (SHUTOFF).....	1794		
RELAY AS (24-VOLT) (SLAVE).....	1350		
	1795		
RELAY AS (START RELAY) .....	1404		
RELAY GP .....	1563		
RELAY GP (24-VOLT) .....	3		
RELAY GP (24-VOLT) (AUXILIARY) .....	2054		
RELAY GP-AUXILIARY .....	1563		
RELAY-REVERSE POWER.....	2000		
RELAY-TIME DELAY.....	1350		
	1353		
RING GP-PISTON .....	370		
	374		
	376		
	378		
	401		
ROD AS-ZINC (AUXILIARY WATER PUMP)....	748		
			944
			945
			948
			2133
		<b>S</b>	
		SCREEN AS .....	2144
		SCREEN AS-SUCTION .....	350
			352
		SCREEN AS-SUCTION (ENGINE OIL PAN)....	348
			354
			356
			358
			360
			449
		SCREEN-SCAVENGE (ENGINE OIL).....	574
		SCREEN-STRAINER (PRESSURE REDUCING VALVE) .....	1832
		SEAL (OIL FILTER).....	457
			460
			467
			2131
		SEAL AS-WATER .....	402
			403
		SEAL GP .....	774
		SEAL GP (WATER PUMP).....	651
		SEAL GP (WATER PUMP).....	770
		SEAL GP-CRANKSHAFT.....	404
			405
			406
		SEAL GP-CRANKSHAFT (CCW ROTATION) ...	405
		SEAL GP-CRANKSHAFT (CW ROTATION).....	405
		SEAL GP-ENCLOSURE .....	2091
		SEAL GP-EXHAUST .....	918
			919
			920
			926
			927
			930
			935
			939
			940
			944
			945
			948
			2133

# INDEX

NAME	PAGE	NAME	PAGE
SEAL GP-PUMP.....	762	SENSOR GP-EXHAUST TEMPERATURE (TURBOCHARGER, LH).....	1835
SEAL GP-SPEED SENSOR-TIMING .....	1564	SENSOR GP-EXHAUST TEMPERATURE (TURBOCHARGER, RH) .....	1835
SEAL-CRANKSHAFT.....	2138	SENSOR GP-PRESSURE .....	307
SEAL-CRANKSHAFT (CLOCKWISE ROTATION) .....	315		1566
	2130		1567
SEAL-CRANKSHAFT (COUNTERCLOCKWISE ROTATION) .....	314		1568
	318		1569
	319		1570
	2132		1571
SEAL-INTEGRAL .....	91		1572
	92		1573
	94		1574
	314	SENSOR GP-PRESSURE (ATMOSPHERIC) ...	1835
	319		1839
	2132	SENSOR GP-PRESSURE (CRANKCASE) .....	1835
SEAL-INTEGRAL (FLYWHEEL HOUSING).....	318		1839
SEAL-VALVE COVER.....	107	SENSOR GP-PRESSURE (ENGINE OIL).....	1887
	110	SENSOR GP-PRESSURE (FILTERED FUEL) .....	1835
	295		1839
	298	SENSOR GP-PRESSURE (FILTERED OIL)....	1835
	305		1839
	310	SENSOR GP-PRESSURE (OIL).....	1587
	316	SENSOR GP-PRESSURE (TURBOCHARGER INLET, LH).....	1835
	321		1839
	322	SENSOR GP-PRESSURE (TURBOCHARGER INLET, RH) .....	1835
	362		1839
	364	SENSOR GP-PRESSURE (TURBOCHARGER INLET, RH) .....	1835
	1475		1839
SEAL-VALVE COVER (BASE) .....	106	SENSOR GP-PRESSURE (TURBOCHARGER OUTLET).....	1835
	108		1839
SEAL-VALVE COVER (BREATHER).....	440	SENSOR GP-PRESSURE (UNFILTERED FUEL) .....	1835
	442		1839
	443	SENSOR GP-PRESSURE (UNFILTERED OIL) .....	1835
	444		1839
	446	SENSOR GP-PRESSURE (UNFILTERED ENGINE OIL) .....	1575
SEAL-VALVE COVER (OIL FILLER) .....	450	SENSOR GP-SPEED .....	307
	451		1576
SEAL-VALVE COVER (VALVE COVER BASE) .....	109		1577
SENDER (GEAR OIL PRESSURE).....	2069		1578
	2073		1579
SENDER AS-PRESSURE (ENGINE OIL) .....	1891		1580
	2071		1581
	2075		1582
SENDER AS-PRESSURE (GEAR BOX OIL) ...	2071		1583
	2075		1584
SENDING UNIT (24-VOLT).....	1890		1585
	1891		1594
	2069	SENSOR GP-SPEED (ENGINE TIMING) .....	1840
	2071	SENSOR GP-SPEED (ENGINE) .....	1578
	2073		1583
	2075		1975
SENDING UNIT (ENGINE OIL PRESSURE) ...	1890		1977
	2069		1978
	2073	SENSOR GP-SPEED (MAGNETIC PICKUP)...	1594
SENSOR GP-EXHAUST TEMPERATURE.....	307		
	1565		
	1839		

# INDEX

NAME	PAGE	NAME	PAGE
SENSOR GP-SPEED (MAGNETIC) .....	1585	SHIELD GP-ENGINE OIL LINES.....	595
SENSOR GP-SPEED (PRIMARY, TIMING) ....	1835		596
SENSOR GP-SPEED (SECONDARY, TIMING) .....	1835		597
SENSOR GP-SPEED (TIMING CALIBRATION) .....	1835		598
SENSOR GP-SPEED (TIMING) .....	1839	SHIELD GP-EXHAUST .....	601
SENSOR GP-SPEED-ENGINE.....	1576		602
SENSOR GP-SPEED-MAGNETIC, LOW OUTPUT .....	1586	SHIELD GP-FUEL LINES .....	883
SENSOR GP-TEMP & PRESS-ENGINE OIL...	1587		885
SENSOR GP-TEMPERATURE .....	307		887
	1565	SHIELD GP-FUEL LINES .....	1259
	1588		1260
	1589	SHIELD GP-FUEL LINES-FUEL MANIFOLD...	1264
	1590		1267
	1591	SHIELD GP-FUEL LINES-FUEL PRIMING PUMP .....	1262
	1592	SHIELD GP-HEAT .....	1263
SENSOR GP-TEMPERATURE (3-PIN) (AFTERCOOLER).....	1835	SHIELD GP-FUEL LINES-FUEL PRIMING PUMP .....	1257
	1839	SHIELD GP-HEAT .....	888
SENSOR GP-TEMPERATURE (3-PIN) (COOLANT) .....	1839	SHIELD GP-PROTECTION-FUEL & OIL LINES .....	2145
SENSOR GP-TEMPERATURE (3-PIN) (ENGINE COOLANT).....	1835	SHIELD GP-TURBOCHARGER .....	889
SENSOR GP-TEMPERATURE (8-VOLT) (AIR) .....	1588	SHIELD GP-TURBOCHARGER-AIR .....	890
SENSOR GP-TEMPERATURE (CYLINDER EXHAUST) .....	1817	SHUTOFF & OIL FILLER GP .....	1269
	1818	SHUTOFF AR-ELECTRICAL .....	1594
SENSOR GP-TEMPERATURE (ENGINE COOLANT).....	1887		1595
SENSOR GP-TEMPERATURE (PWM-8VOLT, 500HZ) .....	1587	SHUTOFF GP-AIR.....	891
SENSOR GP-TEMPERATURE (THERMOCOUPLE).....	1592		893
SENSOR GP-TEMPERATURE (THERMOCOUPLE).....	1593		895
SENSOR GP-TEMPERATURE (TURBOCHARGER INLET).....	1819		897
SENSOR GP-TEMPERATURE- THERMOCOUPLE .....	1593		899
SEPARATOR GP-AIR.....	778		904
SHAFT GP-AUXILIARY DRIVE-LOWER FRONT, LH.....	415	SHUTOFF GP-AIR-INTAKE.....	901
SHAFT GP-AUXILIARY DRIVE-LOWER REAR, LH.....	411		902
SHAFT GP-AUXILIARY DRIVE-UPPER FRONT, LH.....	413		903
SHAFT GP-AUXILIARY DRIVE-UPPER FRONT, RH .....	407	SHUTOFF GP-CONTROL .....	1271
SHAFT GP-AUXILIARY DRIVE-UPPER REAR, LH.....	409		1274
SHAFT GP-STUB.....	417		1596
SHAFT GP-STUB-FRONT.....	418	SHUTOFF GP-ELECTRICAL.....	1600
SHAFT GP-STUB-REAR .....	419		1602
SHIELD AS-HEAT .....	882		1603
SHIELD GP .....	1856		1604
	1859	SHUTOFF GP-HYDROMECHANICAL.....	1277
			1279
			1281
			1283
			1285
			1287
			1289
			1292
			1295
		SHUTOFF GP-MANUAL.....	1296
		SHUTOFF GP-MANUAL-LH .....	1297
		SHUTOFF GP-MANUAL-RH, LH MOUNTED...	1298
		SHUTOFF GP-REMOTE.....	1299
			1300
		SILENCER GP-AIR STARTING .....	1607
			1608
		SOLENOID (AIR SHUTOFF).....	1619

# INDEX

NAME	PAGE	NAME	PAGE
SOLENOID (ENERGIZED TO SHUTDOWN) ...	1600	STARTING MOTOR GP-AIR-REVERSE ROTATION, LH.....	1632
SOLENOID AS (24-VOLT) (STARTING MOTOR).....	1748		1633
	1782	STARTING MOTOR GP-AIR-RH.....	1637
SOLENOID AS (FUEL SHUTOFF).....	1603		1648
SOLENOID AS (SHUTOFF).....	1617		1649
SOLENOID AS (SHUTOFF).....	1618	STARTING MOTOR GP-AIR-SINGLE.....	1642
SOLENOID AS (STARTER).....	1658	STARTING MOTOR GP-ELECTRIC.....	1652
SOLENOID AS (STARTING MOTOR).....	1724		1655
	1727		1658
	1730		1661
SOLENOID AS-STARTING MOTOR.....	1609		1664
	1611		1667
	1612		1670
	1614		1673
	1615		1674
	1674		1679
	1679		1684
	1684		1689
	1699		1694
	1706		1699
	1716		1703
	1754		1706
SOLENOID AS-STARTING MOTOR (24- VOLT).....	1609		1711
	1611		1712
	1615		1715
	1662		1716
	1665		1719
	1667		1720
	1670		1723
	1673		1726
	1689		1729
	1694		1732
	1703		1735
	1712		1738
	1720		1741
	1736		1744
	1739		1745
	1742		1746
	1761		1747
SOLENOID AS-STARTING MOTOR (24-VOLT) (24- VOLT).....	1733		1748
SOLENOID GP-SHUTOFF.....	1619		1754
SOLENOID GP-SHUTOFF-AIR.....	1617		1757
	1618		1759
STARTING AID GP-ETHER.....	1621		1761
	1623		1764
	1625		1767
STARTING AID GP-SWITCH.....	1620		1778
STARTING MOTOR GP-AIR.....	1627	STARTING MOTOR GP-ELECTRIC-DUAL.....	1782
	1629		1752
	1635		1753
	1638		1770
	1640		1771
	1643		1772
	1645		1773
	1646		1774
	1650		1775
	1651		1776
STARTING MOTOR GP-AIR-LH.....	1630		1777

# INDEX

NAME	PAGE	NAME	PAGE
STARTING MOTOR GP-ELECTRIC-SINGLE...	1750	SWITCH AS-PRESSURE (PRESSURE).....	1353
	1751	SWITCH AS-PUSH BUTTON .....	1785
	1779		1786
	1780	SWITCH AS-PUSH BUTTON (ALARM	
	1781	SILENCE).....	1870
STRAINER AS (ENGINE OIL) .....	513		1982
	534	SWITCH AS-PUSH BUTTON (EMERGENCY	
	536	STOP) .....	1350
STRIP AS-TERMINAL-EMCP II.....	1784		1866
SUPPORT GP-ENGINE .....	420		1869
	421		2017
	422		2021
SUPPORT GP-POWER TAKE-OFF .....	423		2025
SUPPORT GP-TURBOCHARGER.....	905		2029
	906		2033
SWITCH .....	1385		2038
SWITCH (AIR STARTING) .....	1374		2041
	1398		2044
SWITCH (ENGINE START).....	1787		2047
SWITCH (START) .....	1396		2050
	1786	SWITCH AS-PUSH BUTTON (ENGINE	
SWITCH (START/BYPASS).....	1808	START).....	1402
SWITCH AS (PRESSURE) (ENGINE OIL).....	1890		1799
	1891		1800
SWITCH AS (START-STOP).....	1809	SWITCH AS-PUSH BUTTON (ETHER	
SWITCH AS-LIQUID LEVEL (LIQUID LEVEL)		INJECTION).....	1625
(COOLANT).....	780	SWITCH AS-PUSH BUTTON (LAMP TEST) ...	1982
SWITCH AS-MAGNETIC (24-VOLT) (AIR			1987
SHUTOFF) .....	1345		1990
SWITCH AS-MAGNETIC (24-VOLT)		SWITCH AS-PUSH BUTTON (SECONDARY	
(PRELUBRICATION PUMP) .....	1345	STOP) .....	1353
SWITCH AS-MAGNETIC (24-VOLT) (STARTING		SWITCH AS-PUSH BUTTON (START) .....	1400
MOTOR) .....	1345		1785
	1866	SWITCH AS-PUSH BUTTON-START.....	1787
	1869	SWITCH AS-ROTARY (ENGINE CONTROL)...	1866
	2018		1869
	2022	SWITCH AS-SELECTOR .....	1788
	2026		1789
	2030	SWITCH AS-SPEED .....	1790
	2034	SWITCH AS-SPEED (ELECTRONIC) (OVER	
	2038	SPEED).....	1353
	2041	SWITCH AS-SPEED (OVERSPEED) .....	1350
	2044	SWITCH AS-TEMPERATURE.....	1363
	2047		1791
	2050	SWITCH AS-TEMPERATURE (ENGINE	
SWITCH AS-PRESSURE .....	554	COOLANT).....	1621
	1353		1623
SWITCH AS-PRESSURE (ENGINE OIL).....	1350		1625
	2069	SWITCH AS-TEMPERATURE (INLET	
	2071	MANIFOLD) .....	1365
	2073	SWITCH AS-TOGGLE.....	1792
	2075		1793
SWITCH AS-PRESSURE (FUEL) .....	1169	SWITCH AS-TOGGLE (CLEAR, MODE) .....	1866
	1171		1869
SWITCH AS-PRESSURE (OIL PRESSURE) ....	552	SWITCH AS-TOGGLE (ENGINE SHUTOFF) ...	1796
	556	SWITCH AS-TOGGLE (ETHER INJECTION)...	1621
	558		1623
	1362	SWITCH AS-TOGGLE (MANUAL START) .....	1867
SWITCH AS-PRESSURE			1870
(PRELUBRICATION) .....	571		
	1348		



# INDEX

NAME	PAGE	NAME	PAGE
SWITCH AS-TOGGLE (SINGLE POLE) (ENGINE PARAMETER, RH, LH) .....	1866 1869	SWITCH-LIQUID LEVEL (COOLANT).....	782
SWITCH AS-TOGGLE (SINGLE POLE) (PANEL LIGHT).....	2034 2054	SWITCH-ROTARY (4-POSITION) (ENGINE CONTROL).....	2017 2021 2025 2029 2033
SWITCH AS-TOGGLE (SINGLE POLE) (SCROLL).....	1866 1869		2038 2041 2044 2047 2050
SWITCH AS-TOGGLE (START/STOP).....	1809	SWITCH-TOGGLE (ON/OFF CONTROL).....	1996 1998
SWITCH AS-TOGGLE (STARTING AID).....	1620	SWITCH-TOGGLE (PRELUBRICATION OVERRIDE).....	1867 1871
SWITCH GP-COOLANT LEVEL.....	780 781 782	SWITCH-TOGGLE (SINGLE POLE) (STARTING AID) .....	1813
SWITCH GP-ENGINE .....	1604 1794 1795		
SWITCH GP-ENGINE (ELECTRIC SHUTOFF) .....	1605	<b>T</b>	
SWITCH GP-ENGINE (EMERGENCY STOP) .....	1605	TACHOMETER GP-ELECTRIC.....	2092 2093 2094 2095 2096
SWITCH GP-ENGINE (SHUTOFF) .....	1602	TANK GP-AIR.....	1815
SWITCH GP-ENGINE START .....	1797 1798 1799 1800	TANK GP-COOLANT.....	783
	1800	TANK GP-EXPANSION.....	784 787 790
SWITCH GP-ENGINE-SHUTOFF.....	1796	TAPE-ANTI-SPLASH.....	2148
SWITCH GP-MAGNETIC .....	1801 1802 1803 1804 1805	THERMOCOUPLE .....	1816
SWITCH GP-MAGNETIC (24-VOLT) (PRELUBRICATION PUMP) .....	1805	THERMOCOUPLE GP .....	1817 1818 1819 1820
SWITCH GP-MAGNETIC (24-VOLT) (STARTING MOTOR).....	1801 1802 1803	TIMER GP .....	2097
SWITCH GP-MAGNETIC (REMOTE START)...	1806	TOOL GP-HAND .....	2149
SWITCH GP-REMOTE STARTING.....	1806	TRANSFORMER GP-CURRENT .....	1821 1822 1823 1824 1825 1826 1827
SWITCH GP-START .....	1797 1808		
SWITCH GP-START (START/BYPASS).....	1387 1389	TRANSFORMER GP-POTENTIAL.....	1828
	1809	TRANSFORMER GP-CURRENT .....	1821
SWITCH GP-START/STOP .....	1809	TRUNNION GP-ENGINE .....	424
SWITCH GP-TEMPERATURE.....	1364 1810 1811	TUBE.....	1301
SWITCH GP-TEMPERATURE (WATER TEMPERATURE) .....	1362		
SWITCH GP-TEMPERATURE (WATER).....	1169 1171 1361		
SWITCH GP-TEMPERATURE-WATER, COOLANT .....	1812		
SWITCH GP-TOGGLE .....	1813 1814		
SWITCH GP-TOGGLE (OVERSPEED VERIFY) .....	1866 1870		
SWITCH-LIQUID LEVEL.....	781		



# ENGINE ARRANGEMENT

## 376-3116 CONVERSION AR-ENGINE

S/N: 50Y647-1304

**CONVERSION ARRANGEMENT FOR 3512 EMISSIONS RETROFIT.. THIS CONVERSION ARRANGEMENT IS USED TO UPGRADE MUI ENGINE ARRANGEMENT TO EUI ENGINE ARRANGEMENT.. TO BE USED IN CONJUNCTION WITH AN ENGINE OVERHAUL FOR USE WITH 3512 1600 RPM, 2W-8862-PAGE: 8 FIELD INSTALLATION**

**SMCS-1000**

**i05793215**

NOTE	PART NUMBER	QTY	PART NAME 1 2 3 4 5 6 (PRODUCT LEVEL)	SEE PAGE
Y	143-0497	1	BOX GP-INSTRUMENT PANEL (ORDER THIS BOX GROUP FOR STANDARD EIP PANEL)	1866
Y	143-0498	1	BOX GP-INSTRUMENT PANEL (ORDER THIS BOX GROUP FOR PYROMETER EIP PANEL)	1869
Y	376-4849	1	ENGINE AR-COMPLETE	22
Y	10R-9762	1	KIT-CONVERSION (ORDER THIS CONVERSION KIT IF REMAN COMPONENTS ARE PREFERRED)	1472
Y	350-2143	1	KIT-ENGINE CONVERSION (ORDER THIS CONVERSION KIT IF PRODUCTION PART NUMBER COMPONENTS ARE PREFERRED)	300
Y	107-2855	1	MOUNTING GP-INSTRUMENT PANEL (ORDER THIS MOUNTING GROUP TO MOUNT EITHER EIP PANEL)	2001
Y	120-4503	1	PYROMETER GP (ORDER THIS PYROMETER GROUP WITH PYROMETER EIP PANEL FOR RH SERVICE)	2085
Y	120-4504	1	PYROMETER GP (ORDER THIS PYROMETER GROUP WITH PYROMETER EIP PANEL FOR LH SERVICE)	2086
Y	141-6749	1	SHIELD GP-EXHAUST (ORDER THIS HEAT SHIELD GROUP FOR VERTICAL EXHAUST)	883
Y	317-1707	1	SHIELD GP-EXHAUST (TURBOCHARGER) (ORDER THIS HEAT SHIELD GROUP FOR HORIZONTAL EXHAUST)	887
Y	120-4498	1	THERMOCOUPLE GP (ORDER THIS THERMOCOUPLE GHROUP WITH PYROMETER EIP PANEL)	1817
Y	134-0073	1	WIRING GP-ENGINE (ORDER THIS ENGINE WIRING GROUP FOR RH SERVICE)	1835
Y	134-0074	1	WIRING GP-ENGINE (ORDER THIS ENGINE WIRING GROUP FOR LH SERVICE)	1839
Y	120-4493	1	WIRING GP-PYROMETER (ORDER THIS WIRING GROUP WITH PYROMETER EIP PANEL)	1847
	0S-1592	2	BOLT (5/8-11X1.25-IN) (ORDER THIS GEAR GROUP FOR REVERSE ROTATION ENGINES)	
	7N-8374	1	COVER-PUMP (ORDER THIS GEAR GROUP FOR REVERSE ROTATION ENGINES)	
	113-4649	1	RING (ORDER THIS GEAR GROUP FOR REVERSE ROTATION ENGINES)	
	7E-5324	1	RING (ORDER THIS GEAR GROUP FOR STANDARD ROTATION)	
	9X-7371	1	SEAL-O-RING (ORDER THIS GEAR GROUP FOR REVERSE ROTATION ENGINES)	
	4W-7192	1	TUBE	

# ENGINE ARRANGEMENT

376-3116 **CONVERSION AR-ENGINE (contd.)**

**i05793215**

NOTE	PART NUMBER	QTY	PART NAME 1 2 3 4 5 6 (PRODUCT LEVEL)	SEE PAGE
			(ORDER THIS TUBE FOR LH OIL SERVICE)	
	<b>253-4775</b>	1	TUBE AS	
			(ORDER THIS TUBE AS FOR RH OIL SERVICE)	
	<b>5P-8247</b>	2	WASHER-HARD (17X32X3.5-MM THK)	
			(ORDER THIS GEAR GROUP FOR REVERSE ROTATION ENGINES)	
Y - SEPARATE ILLUSTRATION				
<END>				

## 4W-1522 CONVERSION AR-ENGINE

S/N: 50Y647-1304

INDUSTRIAL-REVERSE ROTATION

FOR USE WITH 4W-0282 ENGINE AR, TO CONVERT TO A REVERSE ROTATION ENGINE  
CONFIGURATION  
AN ATTACHMENT

**SMCS-1000**

**i01090959**

NOTE	PART NUMBER	QTY	PART NAME 1 2 3 4 5 6 (PRODUCT LEVEL)	SEE PAGE
Y	8N-6038	1	FLYWHEEL GP	235
Y	8N-5768	1	GEAR GP-FRONT (RH)	242
Y - SEPARATE ILLUSTRATION				
<END>				

## 4W-1534 CONVERSION AR-ENGINE

S/N: 66Z190-578

LOW SPEED-REVERSE ROTATION

FOR USE WITH 4W-0283 ENGINE AR, TO CONVERT TO A REVERSE ROTATION ENGINE  
CONFIGURATION  
AN ATTACHMENT

**SMCS-1000**

**i06915401**

NOTE	PART NUMBER	QTY	PART NAME 1 2 3 4 5 6 (PRODUCT LEVEL)	SEE PAGE
Y	8N-6038	1	FLYWHEEL GP	235
Y	8N-5769	1	GEAR GP-FRONT	253
Y - SEPARATE ILLUSTRATION				
<END>				

## 141-5085 CONVERSION AR-GENERATOR SET

TO PROVIDE GENERATOR STATUS CONTROL PLUS AND ALTERNATING CURRENT TRANSFORMER PLUS  
FOR EMCPII+  
AN ATTACHMENT

**SMCS-7002**

**i00954989**

NOTE	PART NUMBER	QTY	PART NAME 1 2 3 4 5 6 (PRODUCT LEVEL)	SEE PAGE
YR	<b>118-0175</b>	1	CONTROL GP-EMCP ELECTRONIC (AC TRANSFORMER BOX)	1878
YR	<b>118-2070</b>	1	CONTROL GP-EMCP ELECTRONIC (GENERATOR SET CONTROL +)	1879
R - REMANUFACTURED PART MAY BE AVAILABLE				
Y - SEPARATE ILLUSTRATION				
<END>				

# ENGINE ARRANGEMENT

## 158-6168 CONVERSION AR-GENERATOR SET

EMCP II+

FOR USE WITH MEDIUM VOLTAGE GENERATORS, MUI  
AN ATTACHMENT

**SMCS-7002**

**i04451256**

NOTE	PART NUMBER	QTY	PART NAME						SEE PAGE
			1	2	3	4	5	6 (PRODUCT LEVEL)	
YR	<b>118-2070</b>	1	CONTROL GP-EMCP ELECTRONIC (GENERATOR SET CONTROL +)						1879
YR	<b>118-0175</b>	1	CONTROL GP-EMCP ELECTRONIC (AC TRANSFORMER BOX)						1878
Y	<i>158-6181</i>	1	RELAY GP (24-VOLT)						1563
CY	<i>175-7748</i>	1	TRANSFORMER GP-POTENTIAL						1828
C	<b>8C-8514</b>	4	SCREW-MACHINE (8-32X0.375-IN)						

C - CHANGE FROM PREVIOUS TYPE  
R - REMANUFACTURED PART MAY BE AVAILABLE  
Y - SEPARATE ILLUSTRATION

<END>

## 158-6170 CONVERSION AR-GENERATOR SET

EMCP II+

FOR USE WITH LOW VOLTAGE GENERATORS, MUI  
AN ATTACHMENT

**SMCS-7002**

**i04451294**

NOTE	PART NUMBER	QTY	PART NAME						SEE PAGE
			1	2	3	4	5	6 (PRODUCT LEVEL)	
CY	<i>118-2071</i>	1	CONTROL GP-EMCP ELECTRONIC (GENERATOR SET CONTROL +)						1880
YR	<b>118-0175</b>	1	CONTROL GP-EMCP ELECTRONIC (AC TRANSFORMER BOX)						1878
Y	<i>158-6181</i>	1	RELAY GP (24-VOLT)						1563

C - CHANGE FROM PREVIOUS TYPE  
R - REMANUFACTURED PART MAY BE AVAILABLE  
Y - SEPARATE ILLUSTRATION

<END>

# ENGINE ARRANGEMENT

## 1W-4219 ENGINE AR\*R

S/N: 66Z190-578

**PRIOR TO ORDERING 20R-0044 KIT, PLEASE REFERENCE IRM PELJ1171 & VERIFY THAT THE CORRECT REMAN. CYLINDER HEAD. INJECTORS ARE IN THE KIT BASED ON SELECTED ENGINE ARRANGEMENT & SERIAL NUMBER RANGE**

**SMCS-1000**

**i01405827**

NOTE	PART NUMBER	QTY	PART NAME 1 2 3 4 5 6 (PRODUCT LEVEL)	SEE PAGE
Y	1W-9461	1	AFTERCOOLER GP-WATER S/N: 66Z190-578	803
Y	4W-1449	1	BREATHER GP (CRANKCASE) S/N: 66Z190-578	446
Y	4W-9712	1	CAMSHAFT GP S/N: 66Z190-206	48
Y	4W-1774	1	CAMSHAFT GP S/N: 66Z207-578	47
Y	8N-8993	1	CONNECTION GP-WATER (INLET, LH) S/N: 66Z207-578	610
Y	8N-7725	1	CONTROL GP-FUEL INJECTION S/N: 66Z190-206	964
Y	4W-2966	1	CONTROL GP-FUEL INJECTION S/N: 66Z207-578	961
Y	7N-1877	1	COOLER GP-ENGINE OIL S/N: 66Z190-206	612
Y	4W-5892	1	COOLER GP-ENGINE OIL S/N: 66Z207-578	611
Y	8N-9640	1	COVER GP-CYLINDER BLOCK	90
Y	4W-1529	1	COVER GP-FLYWHEEL HOUSING (REAR STRUCTURE) S/N: 66Z190-578	94
Y	8N-9642	1	COVER GP-FRONT HOUSING	102
Y	7N-1855	10	COVER GP-VALVE MECHANISM	110
Y	8N-7103	1	CRANKSHAFT GP	112
Y	2W-2944	1	CYLINDER BLOCK GP S/N: 66Z190-578	129
Y	7W-2234	12	CYLINDER HEAD GP S/N: 66Z190-206	169
Y	4W-0095	12	CYLINDER HEAD GP S/N: 66Z207-578	165
Y	8N-7182	1	DAMPER GP	186
Y	7N-4871	1	DRIVE GP-ACCESSORY (UPPER, RH)	198
Y	7N-1875	1	FILLER GP-ENGINE OIL (CYLINDER BLOCK)	452
Y	8N-7726	1	FILTER GP-FUEL S/N: 66Z190-206	1023
Y	7W-9741	1	FILTER GP-FUEL (RH) S/N: 66Z207-578	1010
Y	4W-6874	1	FILTER GP-ENGINE OIL S/N: 66Z190-578	460
Y	7N-4851	1	FLYWHEEL GP	232
Y	8N-7232	1	GAUGE GP-OIL LEVEL (DIPSTICK) S/N: 66Z190-246	481
Y	7C-9784	1	GAUGE GP-OIL LEVEL (DIPSTICK) (DEEP SUMP) S/N: 66Z247-578	480
Y	7N-4885	1	SWITCH GP-COOLANT LEVEL S/N: 66Z190-206	780

# ENGINE ARRANGEMENT

1W-4219 ENGINE AR (contd.)

i01405827

NOTE	PART NUMBER	QTY	PART NAME						SEE PAGE
			1	2	3	4	5	6 (PRODUCT LEVEL)	
Y	8N-5620	1	GEAR GP-FRONT						238
Y	4W-5552	1	GEAR GP-REAR						268
			S/N: 66Z190-206						
Y	4W-5906	1	GEAR GP-REAR						270
			S/N: 66Z207-578						
Y	8N-6712	1	GOVERNOR GP						1142
			S/N: 66Z190-578						
Y	8N-9639	1	GUARD GP-DAMPER						282
			S/N: 66Z190-206						
Y	8N-8113	1	HOUSING GP-FLYWHEEL						290
			S/N: 66Z190-206						
Y	7W-3722	1	HOUSING GP-FLYWHEEL						286
			S/N: 66Z207-578						
Y	8N-8111	1	HOUSING GP-FRONT						294
			S/N: 66Z190-206						
Y	7W-3724	1	HOUSING GP-FRONT (ACCESSORY DRIVE)						293
			S/N: 66Z207-578						
Y	8N-7734	1	LIFTING GP-ENGINE						324
Y	8N-7716	1	LINES GP-AFTERCOOLER WATER						652
Y	4W-0712	1	LINES GP-TURBOCHARGER AIR						865
			S/N: 66Z190-275						
Y	9Y-5602	1	LINES GP-AIR						856
			S/N: 66Z276-578						
Y	7W-0963	1	LINES GP-ENGINE OIL						510
			S/N: 66Z190-206						
Y	4W-6062	1	LINES GP-ENGINE OIL						500
			S/N: 66Z207-578						
Y	8N-5793	1	LINES GP-FUEL INJECTION						1188
			S/N: 66Z190-206						
Y	7W-9745	1	LINES GP-FUEL INJECTION						1182
			S/N: 66Z207-320						
Y	9Y-6576	1	LINES GP-FUEL INJECTION						1191
			S/N: 66Z321-578						
Y	7N-8640	1	LINES GP-TURBOCHARGER OIL						530
Y	7N-8673	1	LINES GP-WATER (TURBOCHARGER)						703
Y	8N-7715	1	LINES GP-WATER						704
			S/N: 66Z190-206						
Y	8N-8994	1	LINES GP-WATER (LOWER)						706
			S/N: 66Z207-578						
Y	8N-8995	1	LINES GP-WATER (UPPER)						710
			S/N: 66Z207-320						
Y	9Y-9111	1	LINES GP-WATER (UPPER)						712
			S/N: 66Z321-578						
Y	8N-9799	1	MANIFOLD GP-EXHAUST						877
			S/N: 66Z190-494						
Y	6I-0042	1	MANIFOLD GP-EXHAUST (WATER COOLED)						876
			S/N: 66Z495-578						
Y	2W-9592	1	METER GP-SERVICE						1975
			S/N: 66Z190-578						
Y	8N-7705	1	PAN GP-OIL						350
			S/N: 66Z190-246						

# ENGINE ARRANGEMENT

1W-4219 ENGINE AR (contd.)

i01405827

NOTE	PART NUMBER	QTY	PART NAME						SEE PAGE
			1	2	3	4	5	6 (PRODUCT LEVEL)	
Y	7C-9938	1	PAN GP-OIL						347
			S/N: 66Z247-578						
Y	7W-1988	12	PISTON & ROD GP						370
			S/N: 66Z190-578						
Y	7N-8715	1	PUMP GP-ENGINE OIL (2-SECTION GEAR)						544
Y	1W-4057	12	PUMP GP-FUEL INJECTION						1214
			S/N: 66Z190-206						
Y	2W-9578	12	PUMP GP-FUEL INJECTION						1217
			S/N: 66Z207-209						
Y	7C-3764	12	PUMP GP-FUEL INJECTION						1221
			S/N: 66Z210-352						
Y	9Y-7841	12	PUMP GP-FUEL INJECTION						1232
			S/N: 66Z353-578						
Y	8N-9853	1	PUMP GP-FUEL PRIMING						1241
			S/N: 66Z190-206						
Y	8N-6151	1	PUMP GP-FUEL TRANSFER (1-SECTION GEAR)						1247
Y	2W-9726	1	PUMP GP-WATER						773
			S/N: 66Z190-578						
Y	8N-7643	1	HOUSING & REGULATOR GP (INLET CONTROL)						647
			S/N: 66Z207-578						
Y	7N-1854	1	SEAL GP-CRANKSHAFT						404
			S/N: 66Z190-206						
Y	7W-3813	1	SEAL GP-CRANKSHAFT						405
			S/N: 66Z207-578						
Y	7N-4869	1	SHUTOFF GP-MANUAL						1298
Y	8N-7717	1	TANK GP-EXPANSION						787
Y	8N-7804	1	TURBOCHARGER GP						935
			S/N: 66Z190-206						
Y	2W-9598	1	TURBOCHARGER GP						920
			S/N: 66Z207-275						
Y	9Y-5596	1	TURBOCHARGER GP						949
			S/N: 66Z276-578						
Y	7N-1858	12	VALVE MECHANISM GP						438
			S/N: 66Z190-206						
Y	4W-1035	12	VALVE MECHANISM GP						434
			S/N: 66Z207-389, 399-578						
Y	4P-3003	12	VALVE MECHANISM GP						432
			S/N: 66Z390-398						
			AVAILABLE GASKET KIT(S):						
	6V-3772	1	KIT-GASKET (AFTERCOOLER, LINES)						
			S/N: 66Z1-153						
	6V-8906	1	KIT-GASKET (AFTERCOOLER, LINES)						
			S/N: 66Z154-UP						
	6V-3783	1	KIT-GASKET (EXPANSION TANK)						
	6V-3776	1	KIT-GASKET (FRONT STRUCTURE)						
	6V-6431	1	KIT-GASKET (MANIFOLD)						
	114-9437	1	KIT-GASKET (MULTIPLE CYLINDER HEAD)						
	6V-5949	1	KIT-GASKET (OIL COOLER, LINES)						
	6V-5947	1	KIT-GASKET (OIL PUMP)						
	6V-3777	1	KIT-GASKET (REAR STRUCTURE)						
	6V-5950	1	KIT-GASKET (SINGLE CYLINDER HEAD)						



# ENGINE ARRANGEMENT

1W-4219 ENGINE AR (contd.)

i01405827

NOTE	PART NUMBER	QTY	PART NAME						SEE PAGE
			1	2	3	4	5	6 (PRODUCT LEVEL)	
	<b>6V-3774</b>	1	KIT-GASKET (SINGLE CYLINDER LINER)						
	<b>6V-9897</b>	1	KIT-GASKET (SINGLE FUEL INJECTOR)						
	<b>6V-3770</b>	1	KIT-GASKET (TURBOCHARGER)						
	<b>6V-3781</b>	1	KIT-GASKET (WATER LINES)						
			S/N: 66Z1-206						
	<b>9X-6602</b>	1	KIT-GASKET (WATER LINES)						
			S/N: 66Z207-UP						
	<b>6V-6429</b>	1	KIT-GASKET (WATER PUMP INSTALLATION)						
Y - SEPARATE ILLUSTRATION									
<END>									

# ENGINE ARRANGEMENT

## 2W-8862 ENGINE AR\*R

S/N: 50Y647-1304

**RATED SPEED 1301-RPM TO 1800-RPM. PRIOR TO ORDERING 20R-0049 KIT, PLEASE REFERENCE IRM PELJ1171 & VERIFY THAT THE CORRECT REMAN. CYLINDER HEAD. INJECTORS ARE IN THE KIT BASED ON SELECTED ENGINE ARRANGEMENT & SERIAL NUMBER RANGE**

**SMCS-1000**

**i01410106**

NOTE	PART NUMBER	QTY	PART NAME						SEE PAGE
			1	2	3	4	5	6 (PRODUCT LEVEL)	
Y	1W-9463	1	AFTERCOOLER GP-WATER						805
			S/N: 50Y647-657						
Y	1W-9466	1	AFTERCOOLER GP-WATER						807
			S/N: 50Y658-1304						
Y	4W-1449	1	BREATHER GP (CRANKCASE)						446
Y	7W-1255	1	CAMSHAFT GP						49
Y	8N-8993	1	CONNECTION GP-WATER (INLET, LH)						610
Y	4W-2966	1	CONTROL GP-FUEL INJECTION						961
Y	7N-1877	1	COOLER GP-ENGINE OIL						612
			S/N: 50Y647-722						
Y	4W-5892	1	COOLER GP-ENGINE OIL						611
			S/N: 50Y723-1304						
Y	8N-9640	1	COVER GP-CYLINDER BLOCK						90
Y	4W-1529	1	COVER GP-FLYWHEEL HOUSING (REAR STRUCTURE)						94
Y	8N-9642	1	COVER GP-FRONT HOUSING						102
Y	7N-1855	10	COVER GP-VALVE MECHANISM						110
Y	8N-7103	1	CRANKSHAFT GP						112
Y	2W-2944	1	CYLINDER BLOCK GP						129
Y	4W-0095	12	CYLINDER HEAD GP						165
Y	8N-0339	1	DAMPER GP						181
Y	7N-4871	1	DRIVE GP-ACCESSORY (UPPER, RH)						198
Y	7N-1875	1	FILLER GP-ENGINE OIL (CYLINDER BLOCK)						452
Y	4W-6874	1	FILTER GP-ENGINE OIL						460
Y	7W-9741	1	FILTER GP-FUEL (RH)						1010
Y	7N-4851	1	FLYWHEEL GP						232
Y	8N-7232	1	GAUGE GP-OIL LEVEL (DIPSTICK)						481
			S/N: 50Y647-726						
Y	7C-9784	1	GAUGE GP-OIL LEVEL (DIPSTICK) (DEEP SUMP)						480
			S/N: 50Y727-1304						
Y	8N-7174	1	GEAR GP-FRONT (STANDARD ROTATION)						260
Y	4W-5906	1	GEAR GP-REAR						270
Y	8N-6712	1	GOVERNOR GP						1142
Y	8N-8113	1	HOUSING GP-FLYWHEEL						290
			S/N: 50Y647-665						
Y	7W-3722	1	HOUSING GP-FLYWHEEL						286
			S/N: 50Y666-1304						
Y	8N-8111	1	HOUSING GP-FRONT						294
			S/N: 50Y647-665						
Y	7W-3724	1	HOUSING GP-FRONT (ACCESSORY DRIVE)						293
			S/N: 50Y666-1304						
Y	8N-7734	1	LIFTING GP-ENGINE						324
Y	8N-7716	1	LINES GP-AFTERCOOLER WATER						652
Y	2W-9588	1	LINES GP-TURBOCHARGER AIR						862
			S/N: 50Y647-762						
Y	9Y-5600	1	LINES GP-AIR						852
			S/N: 50Y763-1304						

# ENGINE ARRANGEMENT

2W-8862 ENGINE AR (contd.)

101410106

NOTE	PART NUMBER	QTY	PART NAME						SEE PAGE
			1	2	3	4	5	6 (PRODUCT LEVEL)	
Y	7W-0963	1	LINES GP-ENGINE OIL						510
			S/N: 50Y647-722						
Y	4W-6062	1	LINES GP-ENGINE OIL						500
			S/N: 50Y723-1304						
Y	7W-9745	1	LINES GP-FUEL INJECTION						1182
			S/N: 50Y647-796						
Y	9Y-6576	1	LINES GP-FUEL INJECTION						1191
			S/N: 50Y797-1304						
Y	8N-7712	1	LINES GP-TURBOCHARGER OIL						532
Y	8N-7718	1	LINES GP-WATER						705
Y	8N-8994	1	LINES GP-WATER (LOWER)						706
Y	8N-8995	1	LINES GP-WATER (UPPER)						710
			S/N: 50Y647-796						
Y	9Y-9111	1	LINES GP-WATER (UPPER)						712
			S/N: 50Y797-1304						
Y	8N-9799	1	MANIFOLD GP-EXHAUST						877
			S/N: 50Y647-1092						
Y	6I-0042	1	MANIFOLD GP-EXHAUST (WATER COOLED)						876
			S/N: 50Y1093-1304						
Y	2W-9592	1	METER GP-SERVICE						1975
Y	8N-7705	1	PAN GP-OIL						350
			S/N: 50Y647-726						
Y	7C-9938	1	PAN GP-OIL						347
			S/N: 50Y727-1304						
Y	8N-6224	12	PISTON & ROD GP						374
Y	8N-6152	1	PUMP GP-ENGINE OIL (2-SECTION GEAR)						549
Y	7W-2063	12	PUMP GP-FUEL INJECTION						1224
			S/N: 50Y647-675						
Y	7C-2233	12	PUMP GP-FUEL INJECTION						1220
			S/N: 50Y676-823						
Y	9Y-1796	12	PUMP GP-FUEL INJECTION						1228
			S/N: 50Y824-1304						
Y	8N-6151	1	PUMP GP-FUEL TRANSFER (1-SECTION GEAR)						1247
Y	2W-9729	1	PUMP GP-WATER						776
Y	8N-7643	1	HOUSING & REGULATOR GP (INLET CONTROL)						647
Y	7N-1854	1	SEAL GP-CRANKSHAFT						404
			S/N: 50Y647-665						
Y	7W-3813	1	SEAL GP-CRANKSHAFT						405
			S/N: 50Y666-1304						
Y	7N-4869	1	SHUTOFF GP-MANUAL						1298
Y	8N-7717	1	TANK GP-EXPANSION						787
Y	2W-9580	1	TURBOCHARGER GP						919
			S/N: 50Y647-762						
Y	9Y-5598	1	TURBOCHARGER GP						951
			S/N: 50Y763-1304						
Y	4W-1035	12	VALVE MECHANISM GP						434
			AVAILABLE GASKET KIT(S):						
	8T-8880	1	KIT-GASKET (AFTERCOOLER, LINES)						
			S/N: 50Y1-814						
	8T-4862	1	KIT-GASKET (CENTRAL, LOWER STRUCTURE)						

# ENGINE ARRANGEMENT

2W-8862 ENGINE AR (contd.)

i01410106

NOTE	PART NUMBER	QTY	PART NAME						SEE PAGE
			1	2	3	4	5	6 (PRODUCT LEVEL)	
			S/N: 50Y1-814						
	146-8944	1	KIT-GASKET (CENTRAL, LOWER STRUCTURE)						
			S/N: 50Y815-UP						
	6V-3783	1	KIT-GASKET (EXPANSION TANK)						
			S/N: 50Y1-814						
	126-4175	1	KIT-GASKET (EXPANSION TANK)						
			S/N: 50Y815-UP						
	165-7573	1	KIT-GASKET (FRONT STRUCTURE)						
			S/N: 50Y1-814						
	145-7813	1	KIT-GASKET (FRONT STRUCTURE)						
			S/N: 50Y815-UP						
	8T-7886	1	KIT-GASKET (FUEL SYSTEM)						
			S/N: 50Y1-814						
	147-0183	1	KIT-GASKET (FUEL SYSTEM)						
			S/N: 50Y815-UP						
	6V-6431	1	KIT-GASKET (MANIFOLD)						
			S/N: 50Y1-814						
	147-0184	1	KIT-GASKET (MANIFOLD)						
			S/N: 50Y815-UP						
	114-9437	1	KIT-GASKET (MULTIPLE CYLINDER HEAD)						
			S/N: 50Y1-UP						
	8T-4866	1	KIT-GASKET (OIL COOLER, LINES)						
			S/N: 50Y1-814						
	146-8947	1	KIT-GASKET (OIL COOLER, LINES)						
			S/N: 50Y815-UP						
	8T-7883	1	KIT-GASKET (OIL PUMP)						
			S/N: 50Y1-814						
	135-8813	1	KIT-GASKET (OIL PUMP)						
			S/N: 50Y815-UP						
	8T-4864	1	KIT-GASKET (REAR STRUCTURE)						
			S/N: 50Y1-814						
	145-4684	1	KIT-GASKET (REAR STRUCTURE)						
			S/N: 50Y815-UP						
	8T-8418	1	KIT-GASKET (SINGLE CYLINDER HEAD)						
			S/N: 50Y1-814						
	145-7815	1	KIT-GASKET (SINGLE CYLINDER HEAD)						
			S/N: 50Y815-UP						
	6V-3774	1	KIT-GASKET (SINGLE CYLINDER LINER)						
			S/N: 50Y1-UP						
	6V-9897	1	KIT-GASKET (SINGLE FUEL INJECTOR)						
			S/N: 50Y1-UP						
	8T-8878	1	KIT-GASKET (TURBOCHARGER INSTALLATION)						
			S/N: 50Y1-814						
	146-8948	1	KIT-GASKET (TURBOCHARGER INSTALLATION)						
			S/N: 50Y815-UP						
	8T-8879	1	KIT-GASKET (WATER LINES GROUP)						
			S/N: 50Y1-814						
	6V-6428	1	KIT-GASKET (WATER PUMP)						
			S/N: 50Y1-814						
	126-4183	1	KIT-GASKET (WATER PUMP)						
			S/N: 50Y815-UP						

# ENGINE ARRANGEMENT

2W-8862 ENGINE AR (contd.)

i01410106

NOTE	PART NUMBER	QTY	PART NAME						SEE PAGE
			1	2	3	4	5	6 (PRODUCT LEVEL)	
Y - SEPARATE ILLUSTRATION									

<END>

# ENGINE ARRANGEMENT

## 2W-8868 ENGINE AR\*R

S/N: 66Z190-578

**ENGINE RATED SPEED 900-RPM TO 1300-RPM. PRIOR TO ORDERING 20R-0044 KIT, PLEASE REFERENCE IRM PELJ1171 & VERIFY THAT THE CORRECT REMAN. CYLINDER HEAD. INJECTORS ARE IN THE KIT BASED ON SELECTED ENGINE ARRANGEMENT & SERIAL NUMBER RANGE**

**SMCS-1000**

**i01410568**

NOTE	PART NUMBER	QTY	PART NAME						SEE PAGE
			1	2	3	4	5	6 (PRODUCT LEVEL)	
Y	1W-9461	1	AFTERCOOLER GP-WATER						803
Y	4W-1449	1	BREATHER GP (CRANKCASE)						446
Y	4W-1774	1	CAMSHAFT GP						47
Y	8N-8993	1	CONNECTION GP-WATER (INLET, LH)						610
Y	4W-2966	1	CONTROL GP-FUEL INJECTION						961
Y	4W-5892	1	COOLER GP-ENGINE OIL						611
Y	8N-9640	1	COVER GP-CYLINDER BLOCK						90
Y	4W-1529	1	COVER GP-FLYWHEEL HOUSING (REAR STRUCTURE)						94
Y	8N-9642	1	COVER GP-FRONT HOUSING						102
Y	7N-1855	10	COVER GP-VALVE MECHANISM						110
Y	8N-7103	1	CRANKSHAFT GP						112
Y	2W-2944	1	CYLINDER BLOCK GP						129
Y	4W-0095	12	CYLINDER HEAD GP						165
Y	8N-7182	1	DAMPER GP						186
Y	7N-4871	1	DRIVE GP-ACCESSORY (UPPER, RH)						198
Y	7N-1875	1	FILLER GP-ENGINE OIL (CYLINDER BLOCK)						452
Y	4W-6874	1	FILTER GP-ENGINE OIL						460
Y	7W-9741	1	FILTER GP-FUEL (RH)						1010
Y	7N-4851	1	FLYWHEEL GP						232
Y	8N-7232	1	GAUGE GP-OIL LEVEL (DIPSTICK)						481
			S/N: 66Z190-246						
Y	7C-9784	1	GAUGE GP-OIL LEVEL (DIPSTICK) (DEEP SUMP)						480
			S/N: 66Z247-578						
Y	8N-5620	1	GEAR GP-FRONT						238
Y	4W-5906	1	GEAR GP-REAR						270
Y	8N-6712	1	GOVERNOR GP						1142
Y	8N-8113	1	HOUSING GP-FLYWHEEL						290
			S/N: 66Z190-197						
Y	7W-3722	1	HOUSING GP-FLYWHEEL						286
			S/N: 66Z198-578						
Y	8N-8111	1	HOUSING GP-FRONT						294
			S/N: 66Z190-197						
Y	7W-3724	1	HOUSING GP-FRONT (ACCESSORY DRIVE)						293
			S/N: 66Z198-578						
Y	8N-7734	1	LIFTING GP-ENGINE						324
Y	8N-7716	1	LINES GP-AFTERCOOLER WATER						652
Y	4W-0712	1	LINES GP-TURBOCHARGER AIR						865
			S/N: 66Z190-275						
Y	9Y-5602	1	LINES GP-AIR						856
			S/N: 66Z276-578						
Y	4W-6062	1	LINES GP-ENGINE OIL						500
Y	7W-9745	1	LINES GP-FUEL INJECTION						1182
			S/N: 66Z190-320						
Y	9Y-6576	1	LINES GP-FUEL INJECTION						1191
			S/N: 66Z321-578						
Y	7N-8640	1	LINES GP-TURBOCHARGER OIL						530

# ENGINE ARRANGEMENT

2W-8868 ENGINE AR (contd.)

101410568

NOTE	PART NUMBER	QTY	PART NAME						SEE PAGE
			1	2	3	4	5	6 (PRODUCT LEVEL)	
Y	7N-8673	1	LINES GP-WATER (TURBOCHARGER)						703
Y	8N-8994	1	LINES GP-WATER (LOWER)						706
Y	8N-8995	1	LINES GP-WATER (UPPER)						710
			S/N: 66Z190-320						
Y	9Y-9111	1	LINES GP-WATER (UPPER)						712
			S/N: 66Z321-578						
Y	8N-9799	1	MANIFOLD GP-EXHAUST						877
			S/N: 66Z190-494						
Y	6I-0042	1	MANIFOLD GP-EXHAUST (WATER COOLED)						876
			S/N: 66Z495-578						
Y	2W-9592	1	METER GP-SERVICE						1975
Y	8N-7705	1	PAN GP-OIL						350
			S/N: 66Z190-246						
Y	7C-9938	1	PAN GP-OIL						347
			S/N: 66Z247-578						
Y	8N-6224	12	PISTON & ROD GP						374
Y	7N-8715	1	PUMP GP-ENGINE OIL (2-SECTION GEAR)						544
Y	2W-9578	12	PUMP GP-FUEL INJECTION						1217
			S/N: 66Z190-209						
Y	7C-3764	12	PUMP GP-FUEL INJECTION						1221
			S/N: 66Z210-352						
Y	9Y-7841	12	PUMP GP-FUEL INJECTION						1232
			S/N: 66Z353-578						
Y	8N-6151	1	PUMP GP-FUEL TRANSFER (1-SECTION GEAR)						1247
Y	2W-9726	1	PUMP GP-WATER						773
Y	8N-7643	1	HOUSING & REGULATOR GP (INLET CONTROL)						647
Y	7N-1854	1	SEAL GP-CRANKSHAFT						404
			S/N: 66Z190-197						
Y	7W-3813	1	SEAL GP-CRANKSHAFT						405
			S/N: 66Z198-578						
Y	7N-4869	1	SHUTOFF GP-MANUAL						1298
Y	8N-7717	1	TANK GP-EXPANSION						787
Y	2W-9598	1	TURBOCHARGER GP						920
			S/N: 66Z190-275						
Y	9Y-5596	1	TURBOCHARGER GP						949
			S/N: 66Z276-578						
Y	4W-1035	12	VALVE MECHANISM GP						434
			S/N: 66Z190-389, 399-578						
Y	4P-3003	12	VALVE MECHANISM GP						432
			S/N: 66Z390-398						
			AVAILABLE GASKET KIT(S):						
	8T-8880	1	KIT-GASKET (AFTERCOOLER, LINES)						
			S/N: 66Z1-664						
	8T-4862	1	KIT-GASKET (CENTRAL, LOWER STRUCTURE)						
			S/N: 66Z1-664						
	146-8944	1	KIT-GASKET (CENTRAL, LOWER STRUCTURE)						
			S/N: 66Z665-UP						
	6V-3783	1	KIT-GASKET (EXPANSION TANK)						
			S/N: 66Z1-209						
	126-4175	1	KIT-GASKET (EXPANSION TANK)						

# ENGINE ARRANGEMENT

2W-8868 ENGINE AR (contd.)

i01410568

NOTE	PART NUMBER	QTY	PART NAME						SEE PAGE
			1	2	3	4	5	6 (PRODUCT LEVEL)	
			S/N: 66Z210-UP						
	165-7573	1	KIT-GASKET (FRONT STRUCTURE)						
			S/N: 66Z1-664						
	145-7813	1	KIT-GASKET (FRONT STRUCTURE)						
			S/N: 66Z665-UP						
	8T-7886	1	KIT-GASKET (FUEL SYSTEM)						
			S/N: 66Z1-664						
	147-0183	1	KIT-GASKET (FUEL SYSTEM)						
			S/N: 66Z665-UP						
	6V-6431	1	KIT-GASKET (MANIFOLD)						
			S/N: 66Z1-664						
	147-0184	1	KIT-GASKET (MANIFOLD)						
			S/N: 66Z665-UP						
	114-9437	1	KIT-GASKET (MULTIPLE CYLINDER HEAD)						
			S/N: 66Z1-UP						
	8T-4866	1	KIT-GASKET (OIL COOLER, LINES)						
			S/N: 66Z1-664						
	146-8947	1	KIT-GASKET (OIL COOLER, LINES)						
			S/N: 66Z665-UP						
	8T-7883	1	KIT-GASKET (OIL PUMP)						
			S/N: 66Z1-209						
	135-8813	1	KIT-GASKET (OIL PUMP)						
			S/N: 66Z210-UP						
	8T-4864	1	KIT-GASKET (REAR STRUCTURE)						
			S/N: 66Z1-209						
	145-4684	1	KIT-GASKET (REAR STRUCTURE)						
			S/N: 66Z210-UP						
	8T-8418	1	KIT-GASKET (SINGLE CYLINDER HEAD)						
			S/N: 66Z1-209						
	145-7815	1	KIT-GASKET (SINGLE CYLINDER HEAD)						
			S/N: 66Z210-UP						
	6V-3774	1	KIT-GASKET (SINGLE CYLINDER LINER)						
			S/N: 66Z1-UP						
	6V-9897	1	KIT-GASKET (SINGLE FUEL INJECTOR)						
			S/N: 66Z1-UP						
	8T-8878	1	KIT-GASKET (TURBOCHARGER INSTALLATION)						
			S/N: 66Z1-664						
	146-8948		KIT-GASKET (TURBOCHARGER INSTALLATION)						
			S/N: 66Z665-UP						
	8T-8879	1	KIT-GASKET (WATER LINES GROUP)						
			S/N: 66Z1-209						
	6V-6428	1	KIT-GASKET (WATER PUMP)						
			S/N: 66Z1-209						
	126-4183	1	KIT-GASKET (WATER PUMP)						
			S/N: 66Z210-UP						
Y - SEPARATE ILLUSTRATION									
<END>									



# ENGINE ARRANGEMENT

## 8N-5802 ENGINE AR

S/N: 50Y647-1304

SMCS-1000

i01409926

NOTE	PART NUMBER	QTY	PART NAME						SEE PAGE
			1	2	3	4	5	6 (PRODUCT LEVEL)	
Y	1W-9463	1	AFTERCOOLER GP-WATER						805
			S/N: 50Y647-657						
Y	1W-9466	1	AFTERCOOLER GP-WATER						807
			S/N: 50Y658-1304						
Y	4W-1449	1	BREATHER GP (CRANKCASE)						446
			S/N: 50Y647-1304						
Y	4W-9712	1	CAMSHAFT GP						48
			S/N: 50Y647						
Y	7W-1255	1	CAMSHAFT GP						49
			S/N: 50Y648-1304						
Y	8N-8993	1	CONNECTION GP-WATER (INLET, LH)						610
			S/N: 50Y648-1304						
Y	8N-7725	1	CONTROL GP-FUEL INJECTION						964
			S/N: 50Y647						
Y	4W-2966	1	CONTROL GP-FUEL INJECTION						961
			S/N: 50Y648-1304						
Y	7N-1877	1	COOLER GP-ENGINE OIL						612
			S/N: 50Y647-722						
Y	4W-5892	1	COOLER GP-ENGINE OIL						611
			S/N: 50Y723-1304						
Y	8N-9640	1	COVER GP-CYLINDER BLOCK						90
Y	4W-1529	1	COVER GP-FLYWHEEL HOUSING (REAR STRUCTURE)						94
			S/N: 50Y647-1304						
Y	8N-9642	1	COVER GP-FRONT HOUSING						102
Y	8N-7103	1	CRANKSHAFT GP						112
Y	2W-2944	1	CYLINDER BLOCK GP						129
			S/N: 50Y647-1304						
Y	7W-2234	12	CYLINDER HEAD GP						169
			S/N: 50Y647						
Y	4W-0095	12	CYLINDER HEAD GP						165
			S/N: 50Y648-1304						
Y	8N-7182	1	DAMPER GP						186
Y	7N-4871	1	DRIVE GP-ACCESSORY (UPPER, RH)						198
Y	7N-1875	1	FILLER GP-ENGINE OIL (CYLINDER BLOCK)						452
Y	8N-7726	1	FILTER GP-FUEL						1023
			S/N: 50Y647						
Y	7W-9741	1	FILTER GP-FUEL (RH)						1010
			S/N: 50Y648-1304						
Y	4W-6874	1	FILTER GP-ENGINE OIL						460
			S/N: 50Y647-1304						
Y	7N-4851	1	FLYWHEEL GP						232
Y	8N-7232	1	GAUGE GP-OIL LEVEL (DIPSTICK)						481
			S/N: 50Y647-726						
Y	7C-9784	1	GAUGE GP-OIL LEVEL (DIPSTICK) (DEEP SUMP)						480
			S/N: 50Y727-1304						
Y	7N-4885	1	SWITCH GP-COOLANT LEVEL						780
			S/N: 50Y647						
Y	8N-7174	1	GEAR GP-FRONT (STANDARD ROTATION)						260
Y	4W-5552	1	GEAR GP-REAR						268

# ENGINE ARRANGEMENT

**8N-5802 ENGINE AR (contd.)**

**i01409926**

NOTE	PART NUMBER	QTY	PART NAME						SEE PAGE
			1	2	3	4	5	6 (PRODUCT LEVEL)	
			S/N: 50Y647						
Y	4W-5906	1	GEAR GP-REAR						270
			S/N: 50Y648-1304						
Y	8N-6712	1	GOVERNOR GP						1142
			S/N: 50Y647-1304						
Y	8N-9639	1	GUARD GP-DAMPER						282
			S/N: 50Y647						
Y	8N-8113	1	HOUSING GP-FLYWHEEL						290
			S/N: 50Y647-665						
Y	7W-3722	1	HOUSING GP-FLYWHEEL						286
			S/N: 50Y666-1304						
Y	8N-8111	1	HOUSING GP-FRONT						294
			S/N: 50Y647-665						
Y	7W-3724	1	HOUSING GP-FRONT (ACCESSORY DRIVE)						293
			S/N: 50Y666-1304						
Y	8N-7734	1	LIFTING GP-ENGINE						324
Y	8N-7716	1	LINES GP-AFTERCOOLER WATER						652
Y	4W-0712	1	LINES GP-TURBOCHARGER AIR						865
			S/N: 50Y647						
Y	2W-9588	1	LINES GP-TURBOCHARGER AIR						862
			S/N: 50Y648-762						
Y	9Y-5600	1	LINES GP-AIR						852
			S/N: 50Y763-1304						
Y	7W-0963	1	LINES GP-ENGINE OIL						510
			S/N: 50Y647-722						
Y	4W-6062	1	LINES GP-ENGINE OIL						500
			S/N: 50Y723-1304						
Y	8N-5793	1	LINES GP-FUEL INJECTION						1188
			S/N: 50Y647						
Y	7W-9745	1	LINES GP-FUEL INJECTION						1182
			S/N: 50Y648-796						
Y	9Y-6576	1	LINES GP-FUEL INJECTION						1191
			S/N: 50Y797-1304						
Y	8N-7712	1	LINES GP-TURBOCHARGER OIL						532
Y	8N-7715	1	LINES GP-WATER						704
			S/N: 50Y647						
Y	8N-8994	1	LINES GP-WATER (LOWER)						706
			S/N: 50Y648-1304						
Y	8N-8995	1	LINES GP-WATER (UPPER)						710
			S/N: 50Y648-796						
Y	9Y-9111	1	LINES GP-WATER (UPPER)						712
			S/N: 50Y797-1304						
Y	8N-7718	1	LINES GP-WATER						705
Y	8N-9799	1	MANIFOLD GP-EXHAUST						877
			S/N: 50Y647-1092						
Y	6I-0042	1	MANIFOLD GP-EXHAUST (WATER COOLED)						876
			S/N: 50Y1093-1304						
Y	2W-9592	1	METER GP-SERVICE						1975
			S/N: 50Y647-1304						
Y	8N-7705	1	PAN GP-OIL						350
			S/N: 50Y647-726						

# ENGINE ARRANGEMENT

**8N-5802 ENGINE AR (contd.)**

**i01409926**

NOTE	PART NUMBER	QTY	PART NAME						SEE PAGE
			1	2	3	4	5	6 (PRODUCT LEVEL)	
Y	7C-9938	1	PAN GP-OIL						347
			S/N: 50Y727-1304						
Y	8N-7952	12	PISTON & ROD GP						378
			S/N: 50Y647-659						
Y	7W-1988	12	PISTON & ROD GP						370
			S/N: 50Y660-1304						
Y	8N-6152	1	PUMP GP-ENGINE OIL (2-SECTION GEAR)						549
			S/N: 50Y647-1304						
Y	7W-1436	12	PUMP GP-FUEL INJECTION						1222
			S/N: 50Y647						
Y	7W-2062	12	PUMP GP-FUEL INJECTION						1223
			S/N: 50Y648-675						
Y	7C-2233	12	PUMP GP-FUEL INJECTION						1220
			S/N: 50Y676-823						
Y	9Y-1796	12	PUMP GP-FUEL INJECTION						1228
			S/N: 50Y824-1304						
Y	8N-9853	1	PUMP GP-FUEL PRIMING						1241
			S/N: 50Y647						
Y	8N-6151	1	PUMP GP-FUEL TRANSFER (1-SECTION GEAR)						1247
			S/N: 50Y647-1304						
Y	2W-9729	1	PUMP GP-WATER						776
			S/N: 50Y647-1304						
Y	8N-7643	1	HOUSING & REGULATOR GP (INLET CONTROL)						647
			S/N: 50Y648-1304						
Y	7N-1854	1	SEAL GP-CRANKSHAFT						404
			S/N: 50Y647-665						
Y	7W-3813	1	SEAL GP-CRANKSHAFT						405
			S/N: 50Y666-1304						
Y	7N-4869	1	SHUTOFF GP-MANUAL						1298
Y	8N-7717	1	TANK GP-EXPANSION						787
Y	1W-9872	1	TURBOCHARGER GP						918
			S/N: 50Y647						
Y	2W-9580	1	TURBOCHARGER GP						919
			S/N: 50Y648-762						
Y	9Y-5598	1	TURBOCHARGER GP						951
			S/N: 50Y763-1304						
Y	7N-1858	12	VALVE MECHANISM GP						438
			S/N: 50Y647						
Y	4W-1035	12	VALVE MECHANISM GP						434
			S/N: 50Y648-1304						
			AVAILABLE GASKET KIT(S):						
	6V-3772	1	KIT-GASKET (AFTERCOOLER, LINES)						
			S/N: 50Y1-519						
	6V-8906	1	KIT-GASKET (AFTERCOOLER, LINES)						
			S/N: 50Y520-722						
	6V-3773	1	KIT-GASKET (CENTRAL, LOWER STRUCTURE)						
			S/N: 50Y1-722						
	146-8944	1	KIT-GASKET (CENTRAL, LOWER STRUCTURE)						
			S/N: 50Y723-UP						
	6V-3783	1	KIT-GASKET (EXPANSION TANK)						

# ENGINE ARRANGEMENT

8N-5802 ENGINE AR (contd.)

i01409926

NOTE	PART NUMBER	QTY	PART NAME						SEE PAGE
			1	2	3	4	5	6 (PRODUCT LEVEL)	
			S/N: 50Y1-722						
	126-4175	1	KIT-GASKET (EXPANSION TANK)						
			S/N: 50Y723-UP						
	6V-3776	1	KIT-GASKET (FRONT STRUCTURE)						
			S/N: 50Y1-722						
	145-7813	1	KIT-GASKET (FRONT STRUCTURE)						
			S/N: 50Y723-UP						
	6V-5998	1	KIT-GASKET (FUEL SYSTEM)						
			S/N: 50Y1-722						
	6V-3767	1	KIT-GASKET (MANIFOLD)						
			S/N: 50Y1-722						
	147-0184	1	KIT-GASKET (MANIFOLD)						
			S/N: 50Y723-UP						
	114-9437	1	KIT-GASKET (MULTIPLE CYLINDER HEAD)						
			S/N: 50Y1-UP						
	6V-3782	1	KIT-GASKET (OIL COOLER, LINES)						
			S/N: 50Y1-423						
	6V-5949	1	KIT-GASKET (OIL COOLER, LINES)						
			S/N: 50Y424-722						
	135-8812	1	KIT-GASKET (OIL COOLER, LINES)						
			S/N: 50Y723-UP						
	6V-3775	1	KIT-GASKET (EXTERNAL OIL PUMP)						
			S/N: 50Y1-423						
	6V-5947	1	KIT-GASKET (OIL PUMP)						
			S/N: 50Y424-722						
	135-8813	1	KIT-GASKET (OIL PUMP)						
			S/N: 50Y723-UP						
	6V-3777	1	KIT-GASKET (REAR STRUCTURE)						
			S/N: 50Y1-722						
	145-4684	1	KIT-GASKET (REAR STRUCTURE)						
			S/N: 50Y723-UP						
	6V-5496	1	KIT-GASKET (SINGLE CYLINDER HEAD)						
			S/N: 50Y1-722						
	145-7815	1	KIT-GASKET (SINGLE CYLINDER HEAD)						
			S/N: 50Y723-UP						
	6V-3774	1	KIT-GASKET (SINGLE CYLINDER LINER)						
			S/N: 50Y1-UP						
	6V-9897	1	KIT-GASKET (SINGLE FUEL INJECTOR)						
			S/N: 50Y1-UP						
	6V-3769		KIT-GASKET (TURBOCHARGER INSTALLATION)						
			S/N: 50Y1-722						
	146-8948	1	KIT-GASKET (TURBOCHARGER INSTALLATION)						
			S/N: 50Y723-UP						
	6V-3781	1	KIT-GASKET (WATER LINES)						
			S/N: 50Y1-722						
	6V-3778	1	KIT-GASKET (WATER PUMP)						
			S/N: 50Y1-722						
	126-4183	1	KIT-GASKET (WATER PUMP)						
			S/N: 50Y723-UP						

# ENGINE ARRANGEMENT

8N-5802 ENGINE AR (contd.)

101409926

NOTE	PART NUMBER	QTY	PART NAME						SEE PAGE
			1	2	3	4	5	6 (PRODUCT LEVEL)	
Y - SEPARATE ILLUSTRATION									

<END>

# ENGINE ARRANGEMENT

## 357-0858 ENGINE AR-COMPLETE

S/N: 50Y647-1304

**THIS ENGINE ARRANGEMENT IS FOR REFERENCE PURPOSE ONLY. IT IS NOT TO BE USED FOR SERVICE OR PRODUCTION, PROVIDES ENGINE ARRANGEMENT WHEN CONVERTING 2W-8862, 174-3193, 180-9196, 232-2507, 232-2514, 100-8317 TO 320-0275, TO BE USED IN CONJUNCTION WITH ENGINE OVERHAUL FOR USE WITH REHS4159, 3512/3512B, 1600 RPM FIELD INSTALLATION**

SMCS-1000

i04300513

NOTE	PART NUMBER	QTY	PART NAME						SEE PAGE
			1	2	3	4	5	6 (PRODUCT LEVEL)	
Y	258-1086	1	AFTERCOOLER GP-TREATED WATER						802
Y	247-4696	1	BREATHER GP (CRANKCASE)						444
Y	308-5361	1	CAMSHAFT GP						46
Y	8N-8993	1	CONNECTION GP-WATER (INLET, LH)						610
Y	220-2677	1	CONTROL & MTG GP-ENGINE ELEK (PRIMARY)						1370
Y	231-7069	1	CONTROL & MTG GP-ENGINE ELEK (SECONDARY)						1371
Y	4W-5892	1	COOLER GP-ENGINE OIL						611
Y	271-7761	1	COVER GP-CYLINDER BLOCK (CENTRAL STRUCTURE)						88
Y	287-3046	1	COVER GP-FLYWHEEL HOUSING (REAR)						91
Y	107-0278	1	COVER GP-FRONT HOUSING						100
Y	101-0831	7	COVER GP-VALVE MECHANISM						106
Y	8N-7103	1	CRANKSHAFT GP						112
Y	240-6651	1	CYLINDER BLOCK GP						127
Y	299-3521	12	CYLINDER HEAD GP						159
Y	8N-0339	1	DAMPER GP						181
Y	7E-7647	1	DRIVE GP-ACCESSORY (LOWER, LH)						196
Y	112-6033	1	FILLER GP-ENGINE OIL						450
Y	112-4921	1	FILTER GP-ENGINE OIL (RH)						455
Y	7W-9741	1	FILTER GP-FUEL (RH)						1010
Y	7N-4851	1	FLYWHEEL GP						232
Y	7C-9784	1	GAUGE GP-OIL LEVEL (DIPSTICK) (DEEP SUMP) (ENGINE)						480
Y	8N-7174	1	GEAR GP-FRONT (STANDARD ROTATION)						260
Y	124-8395	1	GEAR GP-REAR (CAMSHAFT DRIVE)						266
Y	8N-7643	1	HOUSING & REGULATOR GP (INLET CONTROL)						647
Y	101-1269	1	HOUSING GP-FLYWHEEL						284
Y	4P-5426	1	HOUSING GP-FRONT (ACCESSORY DRIVE)						291
Y	7E-6872	1	LIFTING GP-ENGINE						323
Y	285-8373	1	LINES GP-AIR						846
Y	242-6277	1	LINES GP-ENGINE OIL						496
Y	234-8723	1	LINES GP-FUEL INJECTION						1178
Y	282-4202	1	LINES GP-TURBOCHARGER OIL						528
Y	107-0475	1	LINES GP-WATER (UPPER)						686
Y	114-3376	1	LINES GP-WATER (LOWER)						688
Y	289-2090	1	LINES GP-WATER (AFTERCOOLER)						693
Y	308-6830	1	LINES GP-WATER (TURBOCHARGER)						697
Y	285-8374	1	MANIFOLD GP-EXHAUST						873
Y	7C-9938	1	PAN GP-OIL						347
YR	281-6141	12	PISTON & ROD GP						368
Y	311-1314	1	PLATE GP-INFORMATION						2143
Y	9Y-8175	1	PUMP GP-AUXILIARY WATER (AFTERCOOLER)						768
Y	8N-6152	1	PUMP GP-ENGINE OIL (2-SECTION GEAR)						549
Y	274-0053	12	PUMP GP-FUEL INJECTION						1216
Y	8N-6151	1	PUMP GP-FUEL TRANSFER (1-SECTION GEAR)						1247

# ENGINE ARRANGEMENT

357-0858 ENGINE AR-COMPLETE (contd.)

i04300513

NOTE	PART NUMBER	QTY	PART NAME						SEE PAGE
			1	2	3	4	5	6 (PRODUCT LEVEL)	
Y	2W-9729	1	PUMP GP-WATER						776
Y	7W-3813	1	SEAL GP-CRANKSHAFT						405
Y	261-7294	1	SHIELD GP-EXHAUST (MANIFOLD)						885
Y	296-0618	1	SHIELD GP-TURBOCHARGER						889
Y	305-6263	1	SHIELD GP-TURBOCHARGER (AIR)						890
Y	119-7334	1	TANK GP-EXPANSION						784
Y	325-3816	1	TURBOCHARGER GP						921
Y	308-5356	12	VALVE MECHANISM GP						430
	324-6602	1	ELECTRONICS GP-ENGINE						

PLEASE USE THE GASKET KIT LINK IN SIS OR  
CONTACT YOUR LOCAL DEALER FOR THE LATEST GASKET  
KIT INFORMATION

R - REMANUFACTURED PART MAY BE AVAILABLE  
Y - SEPARATE ILLUSTRATION

<END>

# ENGINE ARRANGEMENT

## 376-4849 ENGINE AR-COMPLETE

S/N: 50Y647-1304

PART OF 376-3116 CONVERSION AR-ENGINE

SMCS-1000

i05793360

NOTE	PART NUMBER	QTY	PART NAME						SEE PAGE
			1	2	3	4	5	6 (PRODUCT LEVEL)	
Y	107-7196	1	AFTERCOOLER GP-TREATED WATER						801
Y	124-5512	1	BREATHER GP (CRANKCASE) (CRANKCASE)						440
Y	106-4586	1	CAMSHAFT GP						44
Y	8N-8993	1	CONNECTION GP-WATER (INLET, LH)						610
Y	121-3321	1	CONTROL & MTG GP-ENGINE ELEK						1368
Y	4W-5892	1	COOLER GP-ENGINE OIL						611
Y	121-3555	1	COVER GP-CYLINDER BLOCK (CENTRAL STRUCTURE)						86
Y	4W-1529	1	COVER GP-FLYWHEEL HOUSING (REAR STRUCTURE)						94
Y	107-0278	1	COVER GP-FRONT HOUSING						100
Y	101-0831	9	COVER GP-VALVE MECHANISM						106
Y	8N-7103	1	CRANKSHAFT GP						112
Y	240-6651	1	CYLINDER BLOCK GP						127
Y	101-0830	12	CYLINDER HEAD GP						155
Y	8N-0339	1	DAMPER GP						181
Y	7E-7647	1	DRIVE GP-ACCESSORY (LOWER, LH)						196
Y	7N-1875	1	FILLER GP-ENGINE OIL (CYLINDER BLOCK)						452
Y	112-4921	1	FILTER GP-ENGINE OIL (RH)						455
Y	112-4922	1	FILTER GP-FUEL (RH)						1002
Y	7N-4851	1	FLYWHEEL GP						232
Y	7C-9784	1	GAUGE GP-OIL LEVEL (DIPSTICK) (DEEP SUMP)						480
Y	8N-7174	1	GEAR GP-FRONT (STANDARD ROTATION)						260
Y	124-8395	1	GEAR GP-REAR (CAMSHAFT DRIVE)						266
Y	8N-7643	1	HOUSING & REGULATOR GP (INLET CONTROL)						647
Y	101-1269	1	HOUSING GP-FLYWHEEL						284
Y	4P-5426	1	HOUSING GP-FRONT (ACCESSORY DRIVE)						291
Y	7E-6872	1	LIFTING GP-ENGINE						323
Y	7E-9252	1	LINES GP-ENGINE OIL						506
Y	101-1247	1	LINES GP-FUEL INJECTION						1174
Y	107-0861	1	LINES GP-TURBOCHARGER AIR						860
Y	141-6751	1	LINES GP-TURBOCHARGER OIL						526
Y	101-1260	1	LINES GP-TURBOCHARGER WATER						684
Y	107-0475	1	LINES GP-WATER (UPPER)						686
Y	114-3376	1	LINES GP-WATER (LOWER)						688
Y	120-7422	1	LINES GP-WATER (AFTERCOOLER)						690
Y	107-7184	1	MANIFOLD GP-EXHAUST						871
Y	7C-9938	1	PAN GP-OIL						347
Y	281-6139	12	PISTON & ROD GP						366
Y	9Y-8175	1	PUMP GP-AUXILIARY WATER (AFTERCOOLER)						768
Y	8N-6152	1	PUMP GP-ENGINE OIL (2-SECTION GEAR)						549
Y	116-7010	12	PUMP GP-FUEL INJECTION						1211
Y	8N-6151	1	PUMP GP-FUEL TRANSFER (1-SECTION GEAR)						1247
Y	2W-9729	1	PUMP GP-WATER						776
Y	7W-3813	1	SEAL GP-CRANKSHAFT						405
Y	141-6749	1	SHIELD GP-EXHAUST						883
Y	119-7334	1	TANK GP-EXPANSION						784
Y	107-7186	1	TURBOCHARGER GP						910
Y	224-9869	12	VALVE MECHANISM GP						428



# ENGINE ARRANGEMENT

376-4849 ENGINE AR-COMPLETE (contd.)

105793360

NOTE	PART NUMBER	QTY	PART NAME						SEE PAGE
			1	2	3	4	5	6 (PRODUCT LEVEL)	
Y - SEPARATE ILLUSTRATION									

<END>

# BASIC ENGINE

## 126-6110 AIR COMPRESSOR GP\*R AN ATTACHMENT

SMCS - 1803

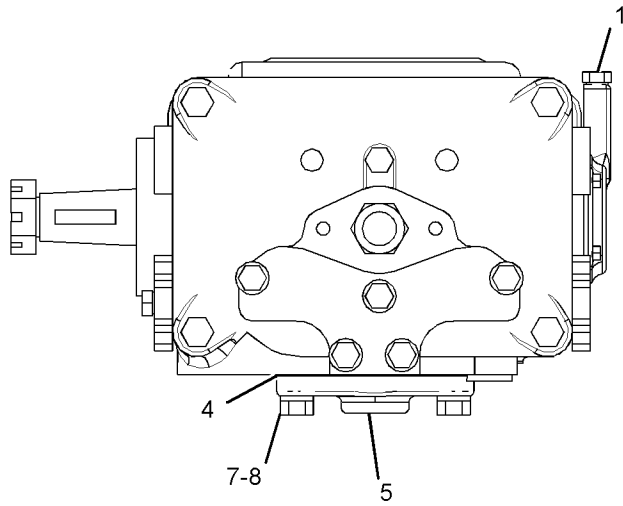
i05255039

NOTE	REF NO	GRAPHIC REF	PART NUMBER	QTY	PART NAME						SEE PAGE
					1	2	3	4	5	6 (PRODUCT LEVEL)	
	1	1	<b>8T-6764</b>	2	PLUG-PIPE (1/8-27-THD)						
	2	1	<b>3F-5289</b>	1	KEY-CRANKSHAFT						
	3	1	<b>6V-0387</b>	1	PLUG-PIPE						
	4	1	<b>8M-7065</b>	1	GASKET (AIR INLET)						
	5	1	<b>9M-0397</b>	1	ADAPTER						
	6	1	<b>7F-6547</b>	1	NUT						
	7	1	<b>3B-4505</b>	2	LOCKWASHER						
	8	1	<b>2B-2695</b>	2	BOLT (5/16-18X0.875-IN)						
	9	1	<b>4P-3966</b>	1	PISTON & ROD AS						
	10	1	<b>124-5572</b>	1	VALVE AS-RELIEF (AIR COMPRESSOR)						
					AVAILABLE REPAIR KIT(S):						
			<b>7E-8923</b>	1	KIT-CRANKSHAFT BEARING (AIR COMPRESSOR)						
					(INCLUDES SEALS, BEARINGS, WASHERS, INSERTS, & GASKETS)						
			<b>164-7572</b>	1	KIT-RING (AIR COMPRESSOR)						
					(INCLUDES RINGS & INSTRUCTION SHEET)						
			<b>7E-8926</b>	1	KIT-CYLINDER HEAD (AIR COMPRESSOR)						
					(INCLUDES GASKET, SPRINGS, VALVES, SEATS, PISTONS, STOPS & O-RINGS)						
			<b>150-5146</b>	1	KIT-UNLOADER (AIR COMPRESSOR)						

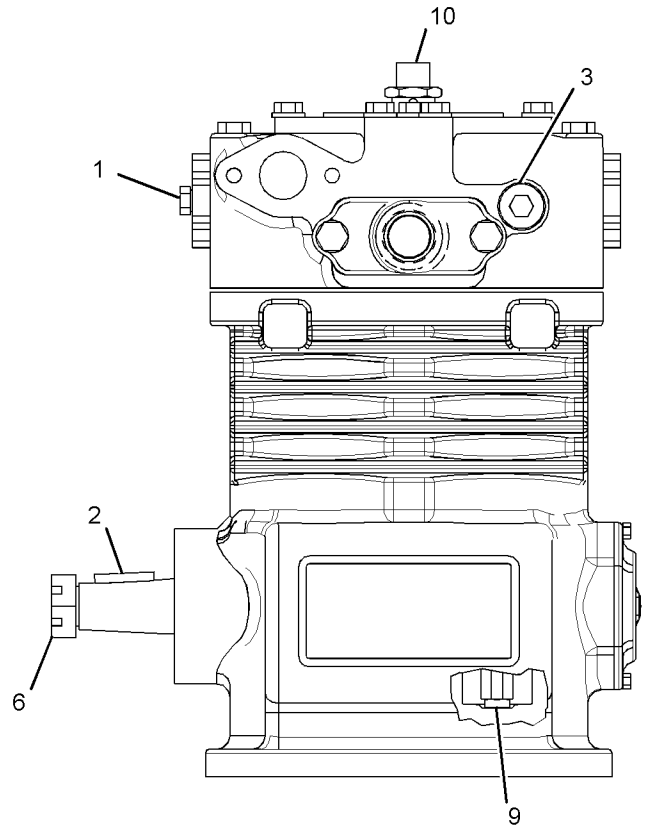
# BASIC ENGINE

126-6110 AIR COMPRESSOR GP (contd.)

i05255039



TOP VIEW OF ENGINE



LEFT SIDE VIEW OF ENGINE

GRAPHIC #1

<END>

g02566246

# BASIC ENGINE

## 144-0742 AIR COMPRESSOR GP\*R PART OF 8N-8360 AIR COMPRESSOR GP AN ATTACHMENT

SMCS-1803

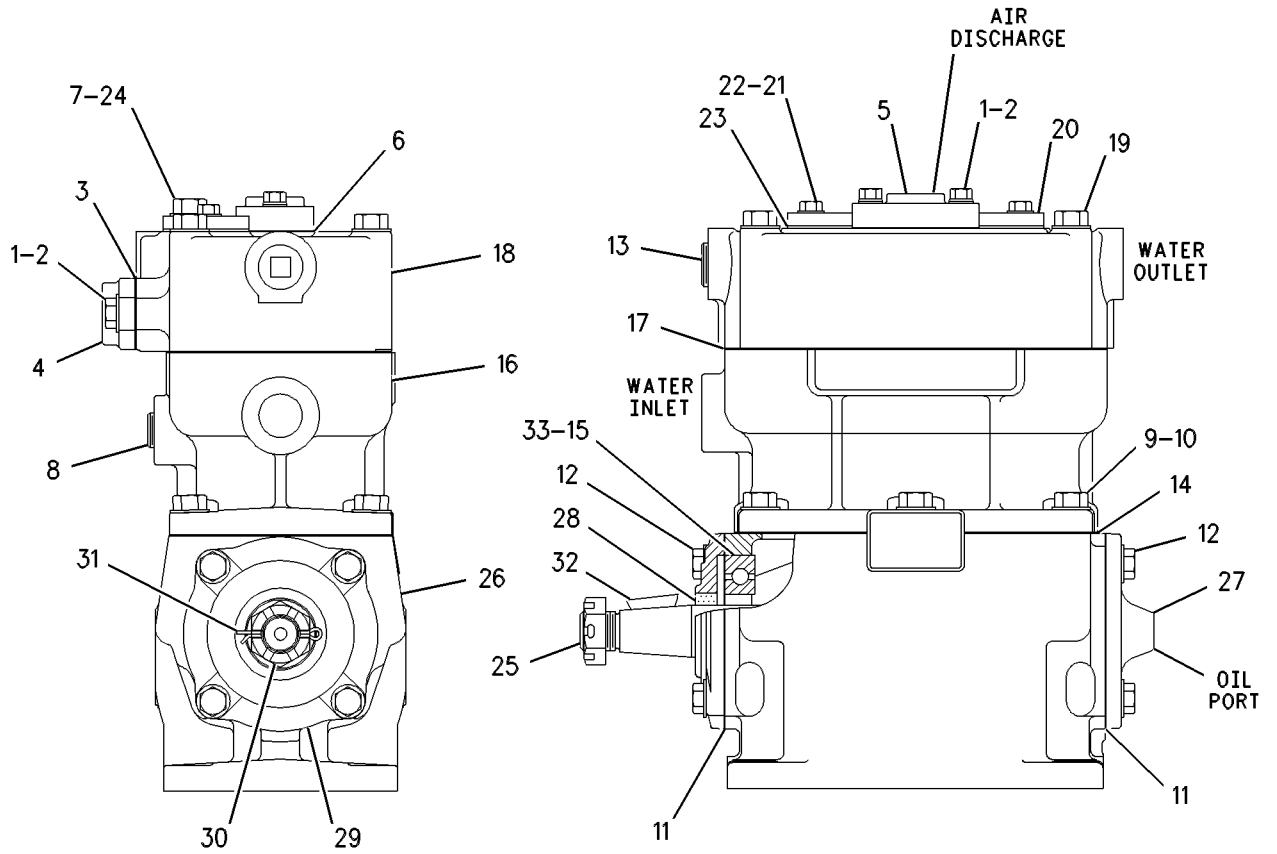
i04302154

NOTE	REF NO	GRAPHIC REF	PART NUMBER	QTY	PART NAME						SEE PAGE
					1	2	3	4	5	6 (PRODUCT LEVEL)	
1	1	1	<b>3B-4505</b>	4	LOCKWASHER						
2	1	1	<b>2B-2695</b>	4	BOLT (5/16-18X0.875-IN)						
3	1	1	<b>8M-7065</b>	1	GASKET (AIR INLET)						
4	1	1	<b>9M-0397</b>	1	ADAPTER						
5	1	1	<b>4W-9479</b>	1	MANIFOLD-EXHAUST						
6	1	1	<b>1S-7107</b>	1	GASKET						
7	1	1	<b>5M-2894</b>	1	WASHER-HARD (10.2X18.5X2.5-MM THK)						
8	1	1	<b>7X-7732</b>	2	PLUG-PIPE						
9	1	1	<b>1A-2029</b>	6	BOLT (3/8-16X1.125-IN)						
10	1	1	<b>3B-4506</b>	6	LOCKWASHER						
11	1	1	<b>7N-7442</b>	2	GASKET						
12	1	1	<b>034-4160</b>	8	BOLT-LOCKING (5/16-18X1-IN)						
13	1	1	<b>8T-6762</b>	1	PLUG-PIPE (1/2-14-THD)						
14	1	1	<b>7N-7446</b>	1	GASKET						
15	1	1	<b>8H-9789</b>	2	BALL BEARING						
16	1	1	<b>7N-7445</b>	1	CYLINDER BLOCK						
17	1	1	<b>7N-7448</b>	1	GASKET						
18	1	1	<b>7N-7447</b>	1	HEAD AS-COMPRESSOR						
		1	<b>5L-5502</b>	1	FITTING						
		1	<b>124-5572</b>	1	VALVE AS-RELIEF (AIR COMPRESSOR)						
19	1	1	<b>0S-1619</b>	5	BOLT (3/8-16X3-IN)						
20	1	1	<b>7N-7450</b>	1	COVER-UNLOADER						
21	1	1	<b>3B-4504</b>	2	LOCKWASHER						
22	1	1	<b>0S-1615</b>	2	BOLT (1/4-20X0.75-IN)						
23	1	1	<b>7N-7451</b>	1	GASKET-UNLOADER						
24	1	1	<b>0L-1352</b>	1	BOLT (3/8-16X3.25-IN)						
25	1	1	<b>1W-9276</b>	1	CRANKSHAFT-AIR COMPRESSOR						
26	1	1	<b>1W-9275</b>	1	CRANKCASE-COMPRESSOR						
27	1	1	<b>1W-9277</b>	1	COVER-AIR COMPRESSOR						
28	1	1	<b>1W-9279</b>	1	SEAL						
29	1	1	<b>1W-9278</b>	1	COVER-AIR COMPRESSOR						
30	1	1	<b>6F-7063</b>	1	NUT-SLOTTED						
31	1	1	<b>5P-8026</b>	1	PIN-COTTER						
32	1	1	<b>4H-3157</b>	1	KEY-WOODRUFF						
33	1	1	<b>4W-9489</b>	1	RING-LOCK						
					AVAILABLE REPAIR KIT(S):						
			<b>7N-7435</b>	1	KIT-AIR COMPRESSOR (MAJOR REPAIR) (INCLUDES VALVES, VALVE SEATS, BEARINGS, SPRINGS, GASKETS, COVER, SEALS, PINS, WASHERS & GUIDES)						
			<b>4P-6409</b>	1	KIT-PIN (AIR COMPRESSOR)						
			<b>144-0503</b>	1	KIT-PISTON & RING (STANDARD) (AIR COMPRESSOR) (INCLUDES PISTON, RING KIT, PISTON PIN & PISTON PIN BUTTON)						
			<b>144-0502</b>	1	KIT-PISTON RING (STANDARD) (AIR COMPRESSOR) (INCLUDES PISTON RINGS & RING ENVELOPES)						
			<b>138-2887</b>	1	KIT-ROD & BEARING (AIR COMPRESSOR) (INCLUDES ROD ASSEMBLY & BEARING KIT)						

# BASIC ENGINE

144-0742 AIR COMPRESSOR GP (contd.)

i04302154



GRAPHIC #1

<END>

g00459418

# BASIC ENGINE

## 1W-8495 AIR COMPRESSOR GP\*R PART OF 8N-8360 AIR COMPRESSOR GP AN ATTACHMENT

SMCS-1803

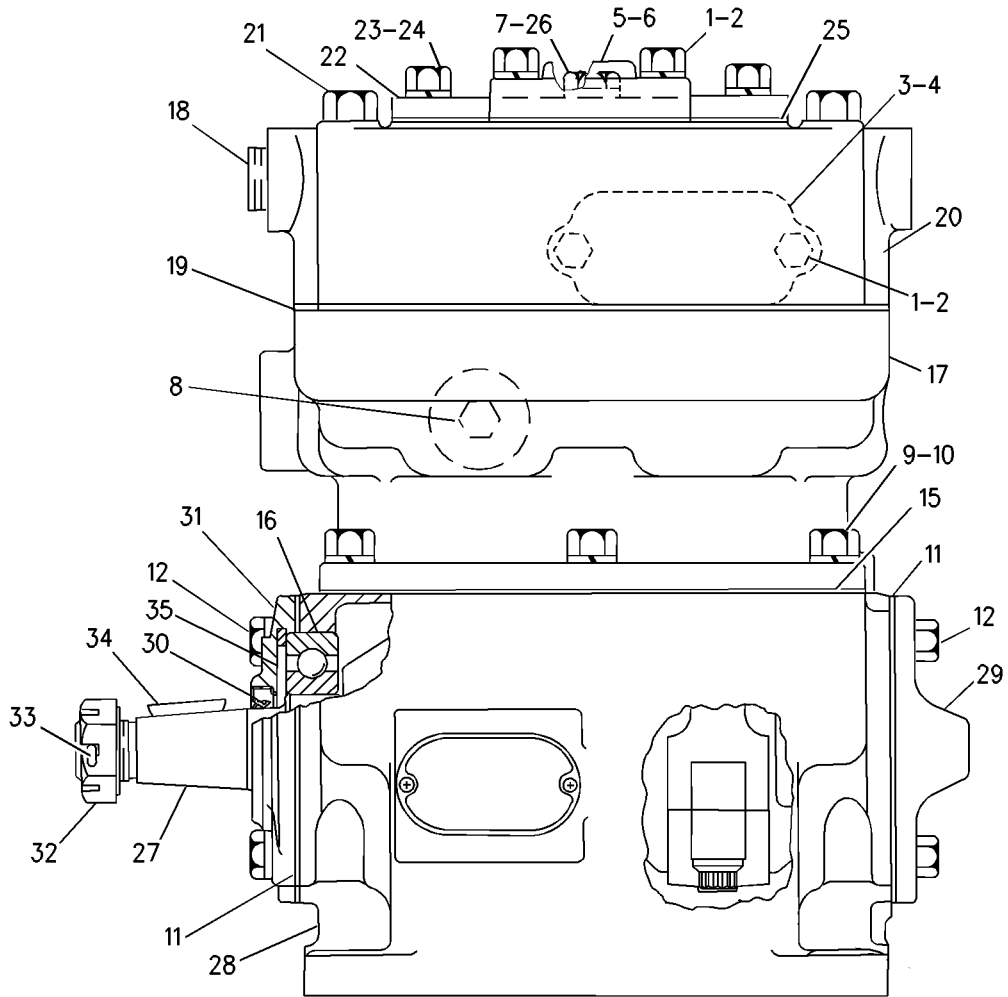
i01903375

NOTE	REF NO	GRAPHIC REF	PART NUMBER	QTY	PART NAME						SEE PAGE
					1	2	3	4	5	6 (PRODUCT LEVEL)	
	1	1	<b>3B-4505</b>	4	LOCKWASHER						
	2	1	<b>2B-2695</b>	4	BOLT (5/16-18X0.875-IN)						
	3	1	<b>8M-7065</b>	1	GASKET (AIR INLET)						
	4	1	<b>9M-0397</b>	1	ADAPTER						
	5	1	<b>4W-9479</b>	1	MANIFOLD-EXHAUST						
	6	1	<b>1S-7107</b>	1	GASKET						
	7	1	<b>5M-2894</b>	1	WASHER-HARD (10.2X18.5X2.5-MM THK)						
	8	1	<b>4B-4845</b>	2	PLUG						
	9	1	<b>1A-2029</b>	6	BOLT (3/8-16X1.125-IN)						
	10	1	<b>3B-4506</b>	6	LOCKWASHER						
	11	1	<b>7N-7442</b>	2	GASKET						
	12	1	<b>03A-4160</b>	8	BOLT-LOCKING (5/16-18X1-IN)						
	15	1	<b>7N-7446</b>	1	GASKET						
	16	1	<b>8H-9789</b>	2	BALL BEARING						
	17	1	<b>7N-7445</b>	1	CYLINDER BLOCK						
	18	1	<b>2B-0858</b>	1	PLUG-PIPE						
	19	1	<b>7N-7448</b>	1	GASKET						
	20	1	<b>7N-7447</b>	1	HEAD AS-COMPRESSOR						
	21	1	<b>0S-1619</b>	5	BOLT (3/8-16X3-IN)						
	22	1	<b>7N-7450</b>	1	COVER-UNLOADER						
	23	1	<b>3B-4504</b>	2	LOCKWASHER						
	24	1	<b>0S-1615</b>	2	BOLT (1/4-20X0.75-IN)						
	25	1	<b>7N-7451</b>	1	GASKET-UNLOADER						
	26	1	<b>0L-1352</b>	1	BOLT (3/8-16X3.25-IN)						
	27	1	<b>1W-9276</b>	1	CRANKSHAFT-AIR COMPRESSOR						
	28	1	<b>1W-9275</b>	1	CRANKCASE-COMPRESSOR						
	29	1	<b>1W-9277</b>	1	COVER-AIR COMPRESSOR						
	30	1	<b>1W-9279</b>	1	SEAL						
	31	1	<b>1W-9278</b>	1	COVER-AIR COMPRESSOR						
	32	1	<b>6F-7063</b>	1	NUT-SLOTTED						
	33	1	<b>5P-8026</b>	1	PIN-COTTER						
	34	1	<b>4H-3157</b>	1	KEY-WOODRUFF						
C	35	1	<b>4W-9489</b>	1	RING-LOCK						
					AVAILABLE REPAIR KIT(S):						
			<b>7N-7435</b>	1	KIT-AIR COMPRESSOR (MAJOR REPAIR) (INCLUDES VALVES, SEATS, BEARINGS, SPRINGS, GASKETS, COVER, SEALS, PINS, WASHERS, & GUIDES)						
			<b>4P-6409</b>	1	KIT-PIN (AIR COMPRESSOR)						
			<b>144-0502</b>	1	KIT-PISTON RING (STANDARD) (AIR COMPRESSOR) (INCLUDES PISTON RINGS & RING ENVELOPES)						
			<b>144-0503</b>	1	KIT-PISTON & RING (STANDARD) (AIR COMPRESSOR) (INCLUDES PISTON, RING KIT, PISTON PIN & PISTON PIN BUTTON)						
			<b>138-2887</b>	1	KIT-ROD & BEARING (AIR COMPRESSOR) (INCLUDES ROD ASSEMBLY & BEARING KIT .010 OD)						
C - CHANGE FROM PREVIOUS TYPE											

# BASIC ENGINE

1W-8495 AIR COMPRESSOR GP (contd.)

i01903375



GRAPHIC #1

<END>

g00746723

# BASIC ENGINE

## 8N-8360 AIR COMPRESSOR GP

12 CU. FT./MIN. BELT DRIVEN  
FOR USE WITH UPPER LH ACCESSORY DRIVE  
FOR USAGE REFER TO CHART 8N-7500-PAGE: 2103  
AN ATTACHMENT  
TYPE 1

SMCS-1803

i00884451

NOTE	REF NO	GRAPHIC REF	PART NUMBER	QTY	PART NAME						SEE PAGE
					1	2	3	4	5	6 (PRODUCT LEVEL)	
	1	1	5F-5434	1	VALVE AS-VENT						
	2	1	1N-2902	1	PULLEY						
	3	1	6N-9042	1	GASKET						
	4	1	5R-1771	2	BOLT (3/8-16X5.5-IN)						
C	5	1	2W-8338	1	BRACKET AS						
I	6	1	1W-0427	1	HOSE AS						
C	7	1	9M-6522	2	CONNECTOR (1/2-14 NPTF)						
	8	1	0S-1594	5	BOLT (3/8-16X1-IN)						
C	9	1	5M-2894	11	WASHER-HARD (10.2X18.5X2.5-MM THK)						
I	10	1	3V-6153	1	HOSE AS						
	11	1	0S-1588	4	BOLT (3/8-16X1.25-IN)						
	12	1	9L-5125	1	ELBOW						
	13	1	032-1269	3	ELBOW						
C	14	1	3B-0551	1	PLUG-PIPE						
C	15	1	4F-4879	1	BOLT (3/8-16X0.5-IN)						
CI	16	1	1W-6263	2	HOSE AS						
	17	1	061-9593	1	ADAPTER						
C	18	1	8S-3215	1	CLAMP-TUBE						
C	19	1	2P-1306	1	TEE						
	20	1	2N-5104	1	CLAMP						
	21	1	9F-2247	4	PLUG-PIPE						
C	22	1	6H-7127	1	SPACER (13/32X5/8X9/16-IN THK)						
C	23	1	033-2177	1	TEE-PIPE						
C	24	1	6N-8744	2	MOUNT						
C	25	1	9L-9132	2	WASHER (10.2X25.5X2.5-MM THK)						
C	26	1	9M-4815	1	CLIP						
	27	1	2B-0858	1	PLUG-PIPE						
C	28	1	1A-5964	1	BOLT (3/8-16X4.5-IN)						
C	29	1	4B-4283	2	WASHER (20.6X37.5X3.5-MM THK)						
	30	1	4J-4102	1	SPACER (0.49X0.69X3.0-IN THK)						
	31	2	7N-5743	1	ADAPTER AS						
		2	7N-5740	1	ADAPTER						
	32	2	7N-5244	1	BUSHING						
	33	2	8M-5255	1	SEAL-O-RING						
	34	2	0S-1590	8	BOLT (3/8-16X2-IN)						
	35	2	5M-2894	8	WASHER-HARD (10.2X18.5X2.5-MM THK)						
C	36	2	6V-8172	1	SEAL-LIP TYPE						
	37	2	9L-5254	1	ELBOW (45 DEG)						
C	38	2	6B-8128	1	NIPPLE-PIPE						
C	39	2	8B-2664	1	BUSHING-REDUCER						
C	40	2	2W-8202	1	GUARD AS						
	41	2	1W-8238	1	ADAPTER						
		2	7N-4945	1	GASKET						
	42	2	0S-1595	4	BOLT (1/2-13X1.25-IN)						
		2	5P-8245	4	WASHER-HARD (13.5X25.5X3-MM THK)						



# BASIC ENGINE

**8N-8360 AIR COMPRESSOR GP (contd.)**

**i00884451**

NOTE	REF NO	GRAPHIC REF	PART NUMBER	QTY	PART NAME						SEE PAGE
					1	2	3	4	5	6 (PRODUCT LEVEL)	
	43	2	<b>8N-3504</b>	1	V-BELT GP						
C	44	2	<b>0S-1594</b>	9	BOLT (3/8-16X1-IN)						
	45	2	<b>4D-0514</b>	1	PLUG-PIPE						
	46	2	<b>1N-2903</b>	1	PULLEY						
	47	2	<b>5J-7303</b>	1	ELBOW						
C	48	2	<b>9S-8752</b>	3	NUT-FULL (3/8-16-THD)						
	49	2	<b>1N-2929</b>	1	BASE-AIR COMPRESSOR						
	50	2	<b>3B-4618</b>	1	PIN-COTTER						
YR	51	2	<b>1W-8495</b>	1	AIR COMPRESSOR GP						28
	52	2	<b>1D-4540</b>	2	BOLT (5/16-18X2.75-IN)						
		2	<b>9M-1974</b>	2	WASHER-HARD (8.8X16X2-MM THK)						
C	53	2	<b>4B-7770</b>	1	TEE						
	54	2	<b>0S-1591</b>	1	BOLT (3/8-16X1.5-IN)						
	55	2	<b>4N-9681</b>	1	GOVERNOR AS-AIR COMPRESSOR						
		2	<b>2S-2923</b>	1	COVER AS						
	56	2	<b>6L-1883</b>	1	GASKET						
C	57	2	<b>030-7972</b>	1	ELBOW						
	58	2	<b>061-9593</b>	1	ADAPTER						
CI	59	2	<b>1W-0428</b>	1	HOSE AS						
	60	2	<b>3B-0551</b>	1	PLUG-PIPE						
C	61	2	<b>4B-4283</b>	1	WASHER (20.6X37.5X3.5-MM THK)						
C	62	2	<b>9L-9132</b>	2	WASHER (10.2X25.5X2.5-MM THK)						
C	63	2	<b>6N-8744</b>	1	MOUNT						
C	64	2	<b>032-1269</b>	2	ELBOW						
C	65	2	<b>2M-4453</b>	1	SEAL-O-RING						

**AVAILABLE REPAIR KIT(S) :**

**9M-0402** 1 KIT-GOVERNOR OVERHAUL (AIR COMPRESSOR)

(INCLUDES VALVE, FILTER, SPRING, COVER, & GROMMETS)

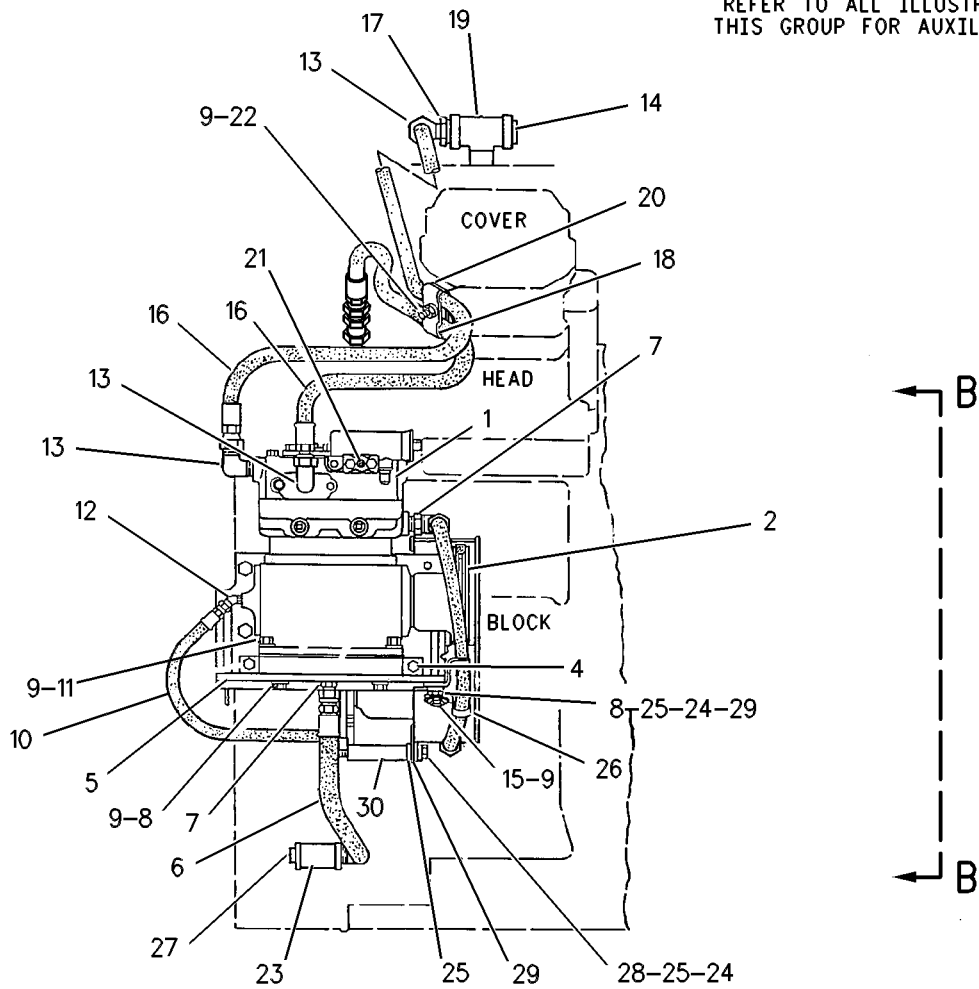
C - CHANGE FROM PREVIOUS TYPE  
 I - REFER TO HYDRAULIC INFORMATION SYSTEM  
 R - REMANUFACTURED PART MAY BE AVAILABLE  
 Y - SEPARATE ILLUSTRATION

# BASIC ENGINE

8N-8360 AIR COMPRESSOR GP (contd.)

i00884451

REFER TO ALL ILLUSTRATIONS OF THIS GROUP FOR AUXILIARY VIEWS



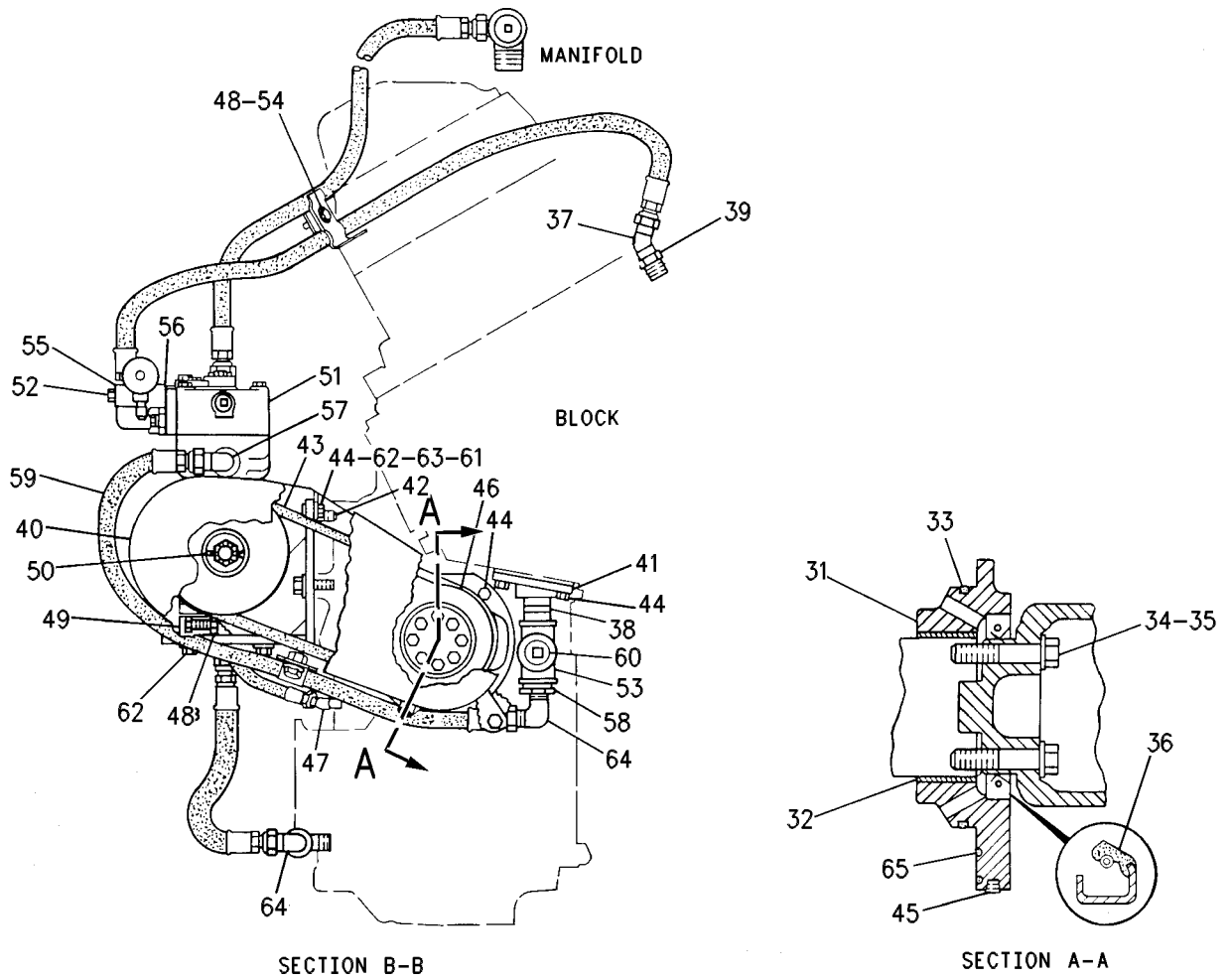
GRAPHIC #1

g00408259

# BASIC ENGINE

8N-8360 AIR COMPRESSOR GP (contd.)

i00884451



GRAPHIC #2

<END>

g00408260

# BASIC ENGINE

## 8N-8360 AIR COMPRESSOR GP

12 CU. FT./MIN. BELT DRIVEN  
FOR USE WITH UPPER LH ACCESSORY DRIVE  
FOR USAGE REFER TO CHART 8N-7500-PAGE: 2103  
AN ATTACHMENT  
TYPE 2

SMCS-1803

i04561113

NOTE	REF NO	GRAPHIC REF	PART NUMBER	QTY	PART NAME 1 2 3 4 5 6 (PRODUCT LEVEL)	SEE PAGE
	1	1	<b>5F-5434</b>	1	VALVE AS-VENT (AIR COMPRESSOR)	
	2	1	<b>1N-2902</b>	1	PULLEY	
	3	1	<b>6N-9042</b>	1	GASKET	
	4	1	<b>5R-1771</b>	2	BOLT (3/8-16X5.5-IN)	
	5	1	<b>2W-8338</b>	1	BRACKET AS	
I	6	1	<b>1W-0427</b>	1	HOSE AS	
	7	1	<b>9M-6522</b>	3	CONNECTOR (1/2-14 NPTF)	
	8	1	<b>0S-1594</b>	5	BOLT (3/8-16X1-IN)	
	9	1	<b>5M-2894</b>	5	WASHER-HARD (10.2X18.5X2.5-MM THK)	
I	10	1	<b>3V-6153</b>	1	HOSE AS	
	11	1	<b>0S-1588</b>	4	BOLT (3/8-16X1.25-IN)	
	12	1	<b>9L-5125</b>	1	ELBOW	
	13	1	<b>032-1269</b>	4	ELBOW	
	14	1	<b>3B-0551</b>	1	PLUG-PIPE	
	15	1	<b>0S-1591</b>	1	BOLT (3/8-16X1.5-IN)	
I	16	1	<b>1W-6263</b>	2	HOSE AS	
	17	1	<b>061-9593</b>	1	ADAPTER	
	18	1	<b>8S-3215</b>	1	CLAMP-TUBE	
	19	1	<b>2P-1306</b>	1	TEE	
	20	1	<b>2N-5104</b>	1	CLAMP	
	21	1	<b>9F-2247</b>	4	PLUG-PIPE	
	22	1	<b>6H-7127</b>	1	SPACER (13/32X5/8X9/16-IN THK)	
	23	1	<b>033-2177</b>	1	TEE-PIPE	
	24	1	<b>6N-8744</b>	2	MOUNT	
	25	1	<b>9L-9132</b>	2	WASHER (10.2X25.5X2.5-MM THK)	
	26	1	<b>1N-2929</b>	1	BASE-AIR COMPRESSOR	
	27	1	<b>2B-0858</b>	1	PLUG-PIPE	
	28	1	<b>1A-5964</b>	1	BOLT (3/8-16X4.5-IN)	
	29	1	<b>4B-4283</b>	2	WASHER (20.6X37.5X3.5-MM THK)	
	30	1	<b>4J-4102</b>	1	SPACER (0.49X0.69X3.0-IN THK)	
	31	1	<b>9S-8752</b>	3	NUT-FULL (3/8-16-THD)	
	32	1	<b>030-7972</b>	1	ELBOW	
	33	1	<b>8B-2664</b>	1	BUSHING-REDUCER	
	34	2	<b>7C-4165</b>	1	ADAPTER AS	
		2	<b>7C-0234</b>	1	ADAPTER	
	35	2	<b>7N-5244</b>	1	BUSHING	
	36	2	<b>8M-5255</b>	1	SEAL-O-RING	
	37	2	<b>0S-1590</b>	8	BOLT (3/8-16X2-IN)	
	38	2	<b>5M-2894</b>	9	WASHER-HARD (10.2X18.5X2.5-MM THK)	
C	39	2	<b>6V-7196</b>	1	SEAL-LIP TYPE	
	40	2	<b>9M-4815</b>	1	CLIP	
	41	2	<b>6B-8128</b>	1	NIPPLE-PIPE	
	42	2	<b>4F-4879</b>	1	BOLT (3/8-16X0.5-IN)	
	43	2	<b>2W-8202</b>	1	GUARD AS	
	44	2	<b>1W-8238</b>	1	ADAPTER	

# BASIC ENGINE

**8N-8360 AIR COMPRESSOR GP (contd.)**

**i04561113**

NOTE	REF NO	GRAPHIC REF	PART NUMBER	QTY	PART NAME						SEE PAGE
					1	2	3	4	5	6 (PRODUCT LEVEL)	
		2	<b>7N-4945</b>	1	GASKET						
	45	2	<b>0S-1595</b>	4	BOLT (1/2-13X1.25-IN)						
		2	<b>5P-8245</b>	4	WASHER-HARD (13.5X25.5X3-MM THK)						
	46	2	<b>8N-3504</b>	1	V-BELT GP (AIR COMPRESSOR)						
	47	2	<b>0S-1594</b>	9	BOLT (3/8-16X1-IN)						
	48	2	<b>4D-0514</b>	1	PLUG-PIPE						
C	49	2	<b>9Y-5285</b>	1	PULLEY AS						
C	50	2	<b>053-5065</b>	1	SLEEVE						
	51	2	<b>6N-8744</b>	1	MOUNT						
	52	2	<b>032-1269</b>	1	ELBOW						
	53	2	<b>3B-4618</b>	1	PIN-COTTER						
YR	54	2	<b>1W-8495</b>	1	AIR COMPRESSOR GP						28
	55	2	<b>1D-4540</b>	2	BOLT (5/16-18X2.75-IN)						
		2	<b>9M-1974</b>	2	WASHER-HARD (8.8X16X2-MM THK)						
	56	2	<b>4B-7770</b>	1	TEE						
	57	2	<b>2M-4453</b>	1	SEAL-O-RING						
	58	2	<b>4N-9681</b>	1	GOVERNOR AS-AIR COMPRESSOR						
		2	<b>2S-2923</b>	1	COVER AS						
	59	2	<b>6L-1883</b>	1	GASKET						
	60	2	<b>9L-9132</b>	8	WASHER (10.2X25.5X2.5-MM THK)						
	61	2	<b>061-9593</b>	1	ADAPTER						
I	62	2	<b>1W-0428</b>	1	HOSE AS						
	63	2	<b>3B-0551</b>	1	PLUG-PIPE						
	64	2	<b>4B-4283</b>	1	WASHER (20.6X37.5X3.5-MM THK)						
	65	2	<b>5J-7303</b>	1	ELBOW						

**AVAILABLE REPAIR KIT(S) :**

**9M-0402** 1 KIT-GOVERNOR OVERHAUL (AIR COMPRESSOR)

(INCLUDES VALVE, FILTER, SPRING, COVER, & GROMMETS)

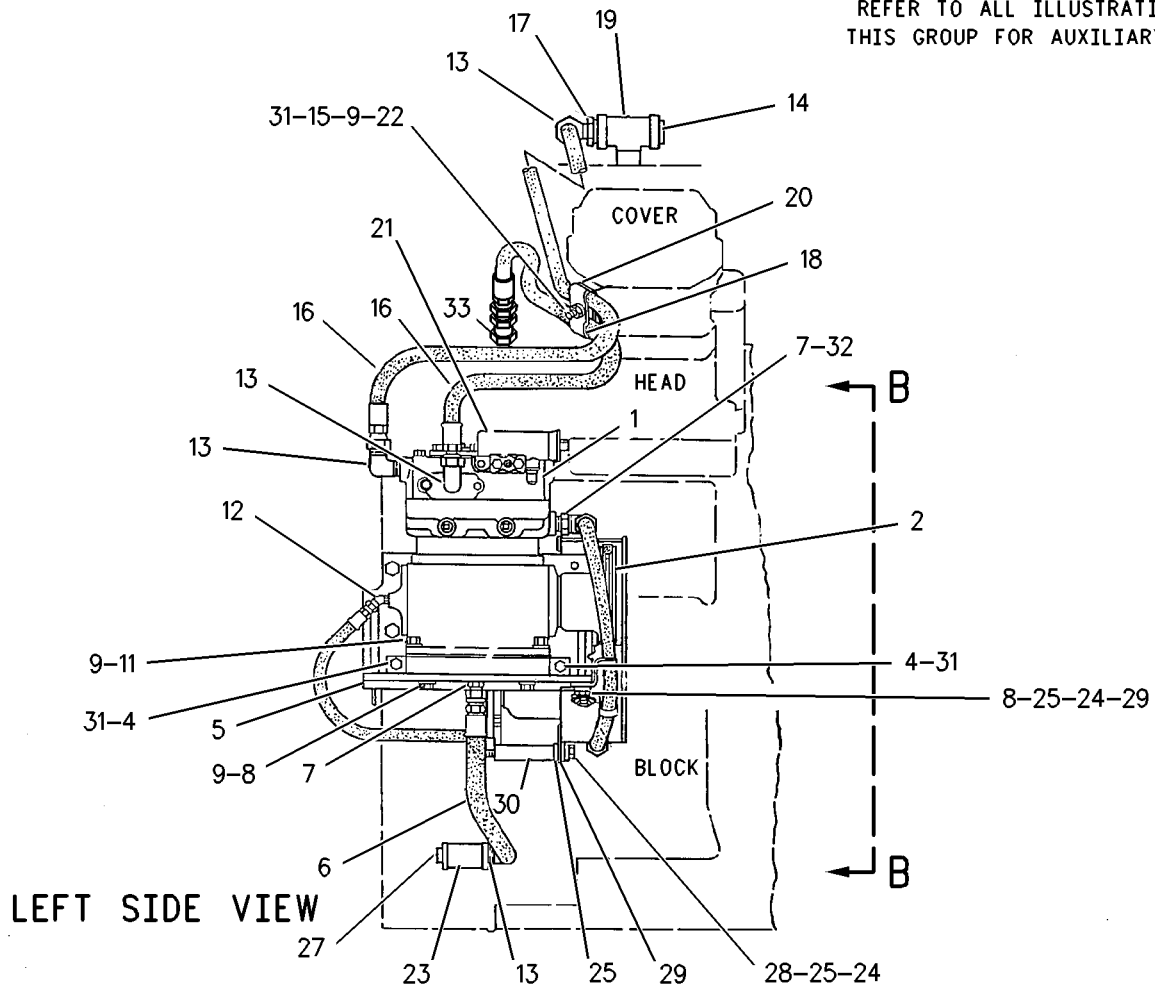
C - CHANGE FROM PREVIOUS TYPE  
 I - REFER TO HYDRAULIC INFORMATION SYSTEM  
 R - REMANUFACTURED PART MAY BE AVAILABLE  
 Y - SEPARATE ILLUSTRATION

# BASIC ENGINE

8N-8360 AIR COMPRESSOR GP (contd.)

104561113

REFER TO ALL ILLUSTRATIONS OF THIS GROUP FOR AUXILIARY VIEWS



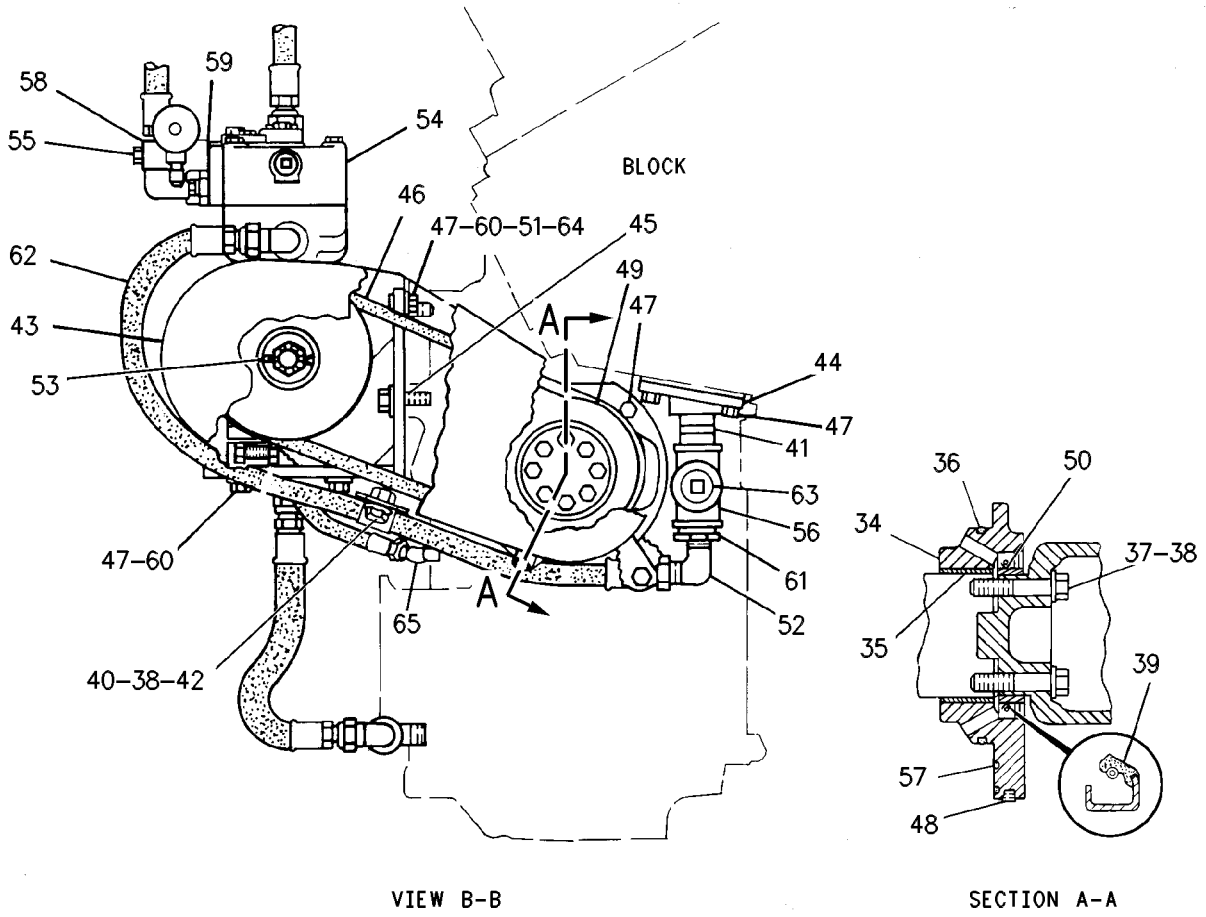
GRAPHIC #1

g00993201

# BASIC ENGINE

8N-8360 AIR COMPRESSOR GP (contd.)

104561113



GRAPHIC #2

<END>

g00408262

# BASIC ENGINE

## 8N-8360 AIR COMPRESSOR GP

12 CU. FT./MIN. BELT DRIVEN  
FOR USE WITH UPPER LH ACCESSORY DRIVE  
FOR USAGE REFER TO CHART 8N-7500-PAGE: 2103  
AN ATTACHMENT  
TYPE 3

SMCS-1803

i04302151

NOTE	REF NO	GRAPHIC REF	PART NUMBER	QTY	PART NAME 1 2 3 4 5 6 (PRODUCT LEVEL)	SEE PAGE
	1	1	1N-2902	1	PULLEY	
	2	2	1N-2929	1	BASE-AIR COMPRESSOR	
I	3	2	1W-0427	1	HOSE AS	
I	4	1,2	150-4213	2	HOSE AS	
	5	1	1W-8238	1	ADAPTER	
	6	2	2P-1306	1	TEE	
	7	1	2W-8202	1	GUARD AS	
		1	1F-0750	1	NUT-WELD (3/8-16-THD)	
	8	1	2W-8338	1	BRACKET AS	
I	9	2	3V-6153	1	HOSE AS	
	10	1	4B-7770	1	TEE	
	11	1	4N-9681	1	GOVERNOR AS-AIR COMPRESSOR	
		1	2S-2923	1	COVER AS	
	12	2	5F-5434	1	VALVE AS-VENT	
	13	1	6L-1883	1	GASKET	
	14	1,2	6N-8744	3	MOUNT	
	15	2	6N-9042	1	GASKET	
	16	2	7C-4165	1	ADAPTER AS	
		2	127-5400	1	BUSHING	
	17	1	7N-4945	1	GASKET	
	18	1	8N-3504	1	V-BELT GP (AIR COMPRESSOR)	
	19	1	9M-0378	2	BOLT (5/16-18X2.87-IN)	
C	20	1	9M-0766	1	BRACKET	
	21	2	9Y-5285	1	PULLEY AS	
		2	053-5065	1	SLEEVE	
	22	2	033-2177	1	TEE-PIPE	
CYR	23	1	144-0742	1	AIR COMPRESSOR GP	26
I	24	1	152-1005	1	HOSE AS	
	25	2	235-2484	1	SEAL-LIP TYPE	
	26	1	030-7972	1	ELBOW	
	27	1,2	032-1269	5	ELBOW	
	28	1,2	061-9593	2	ADAPTER	
	29	2	0S-1588	4	BOLT (3/8-16X1.25-IN)	
	30	2	0S-1590	8	BOLT (3/8-16X2-IN)	
C	31	1,2	0S-1594	15	BOLT (3/8-16X1-IN)	
	32	2	0S-1595	4	BOLT (1/2-13X1.25-IN)	
	33	2	1A-5964	1	BOLT (3/8-16X4.5-IN)	
	34	2	5P-0840	1	SEAL-O-RING	
	35	1	3B-4618	1	PIN-COTTER	
C	36	1,2	3S-8664	3	CLIP (LOOP)	
	37	2	4F-4879	1	BOLT (3/8-16X0.5-IN)	
	38	2	4J-4102	1	SPACER (0.49X0.69X3.0-IN THK)	
	39	1	5J-7303	1	ELBOW	
	40	1,2	5M-2894	15	WASHER-HARD (10.2X18.5X2.5-MM THK)	
	41	2	5P-8245	4	WASHER-HARD (13.5X25.5X3-MM THK)	



# BASIC ENGINE

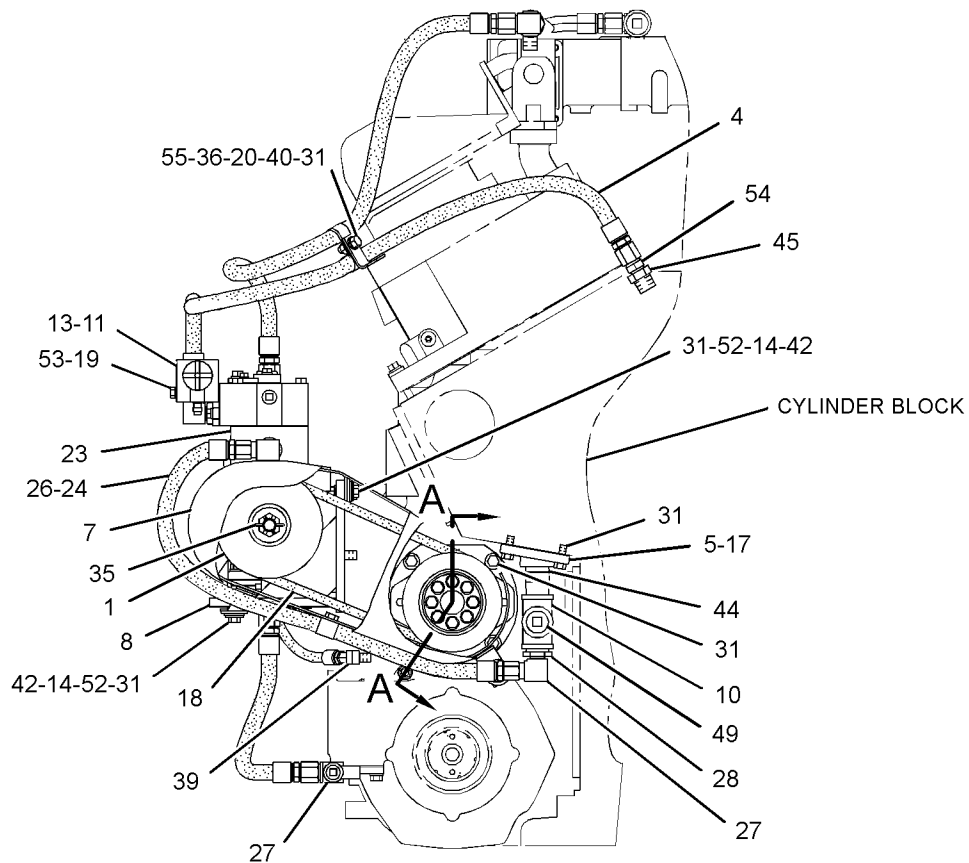
**8N-8360 AIR COMPRESSOR GP (contd.)**

**i04302151**

NOTE	REF NO	GRAPHIC REF	PART NUMBER	QTY	PART NAME						SEE PAGE
					1	2	3	4	5	6 (PRODUCT LEVEL)	
C	42	1,2	<b>5P-8248</b>	3	WASHER-HARD (20X36.5X3.5-MM THK)						
	43	2	<b>5R-1771</b>	2	BOLT (3/8-16X5.5-IN)						
	44	1	<b>6B-8128</b>	1	NIPPLE-PIPE						
	45	1	<b>8B-2664</b>	1	BUSHING-REDUCER						
	46	2	<b>235-3548</b>	1	SEAL-O-RING						
	47	2	<b>8T-6757</b>	4	PLUG-PIPE						
	48	2	<b>8T-6759</b>	1	PLUG-PIPE						
	49	1,2	<b>8T-6761</b>	2	PLUG-PIPE (1-11-1/2 NPT THD)						
	50	2	<b>8T-6762</b>	1	PLUG-PIPE (1/2-14-THD)						
	51	2	<b>9L-5125</b>	1	ELBOW						
	52	1,2	<b>9L-9132</b>	8	WASHER (10.2X25.5X2.5-MM THK)						
	53	1	<b>9M-1974</b>	2	WASHER-HARD (8.8X16X2-MM THK)						
	54	1,2	<b>9M-6522</b>	3	CONNECTOR (1/2-14 NPTF)						
	55	1,2	<b>9S-8752</b>	3	NUT-FULL (3/8-16-THD)						

C - CHANGE FROM PREVIOUS TYPE  
 I - REFER TO HYDRAULIC INFORMATION SYSTEM  
 R - REMANUFACTURED PART MAY BE AVAILABLE  
 Y - SEPARATE ILLUSTRATION

REFER TO ALL ILLUSTRATIONS OF THIS GROUP FOR AUXILIARY VIEWS



**FRONT VIEW OF ENGINE**

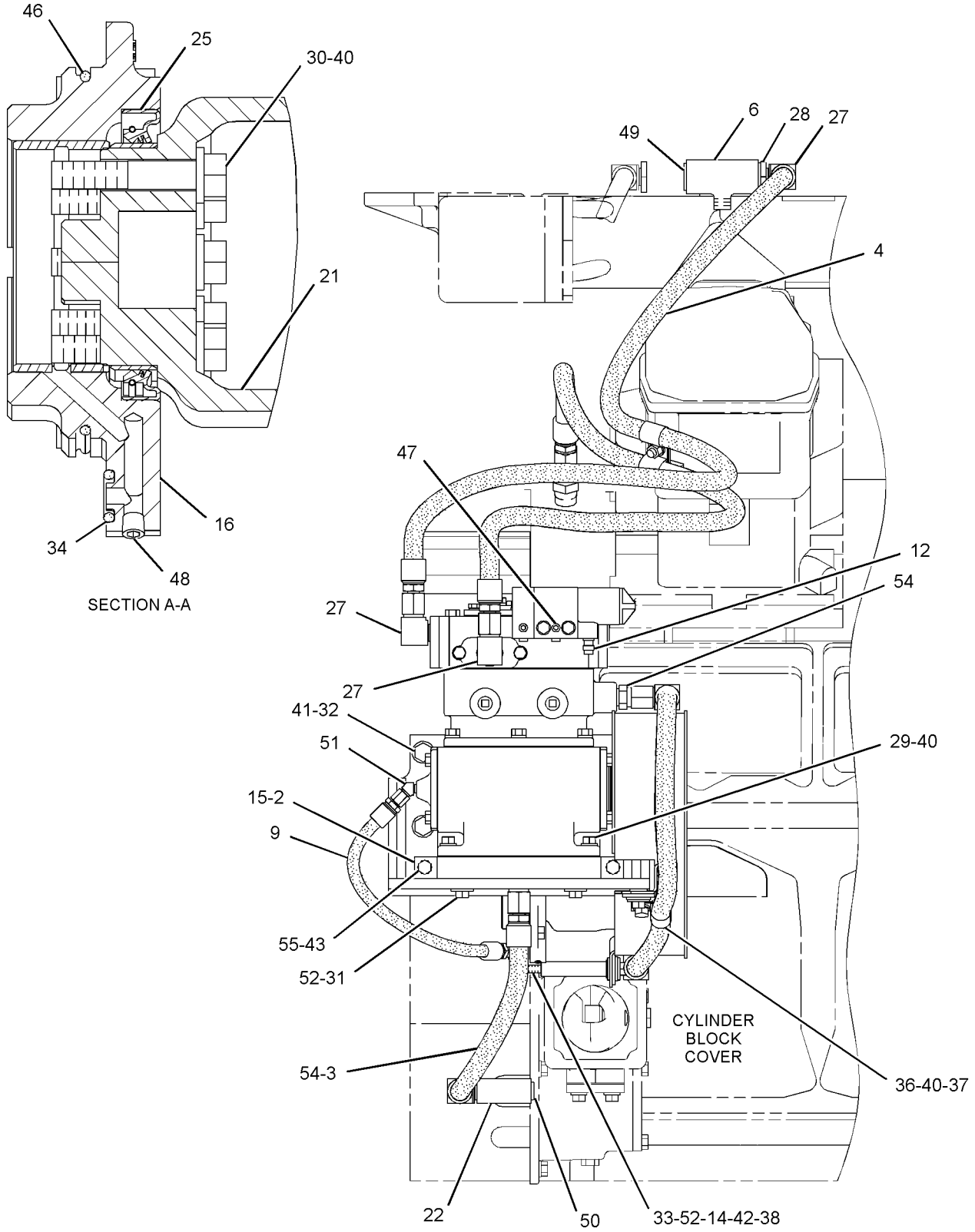
GRAPHIC #1

g01288990

# BASIC ENGINE

8N-8360 AIR COMPRESSOR GP (contd.)

i04302151



RIGHT SIDE VIEW OF ENGINE

GRAPHIC #2

<END>

g01288991

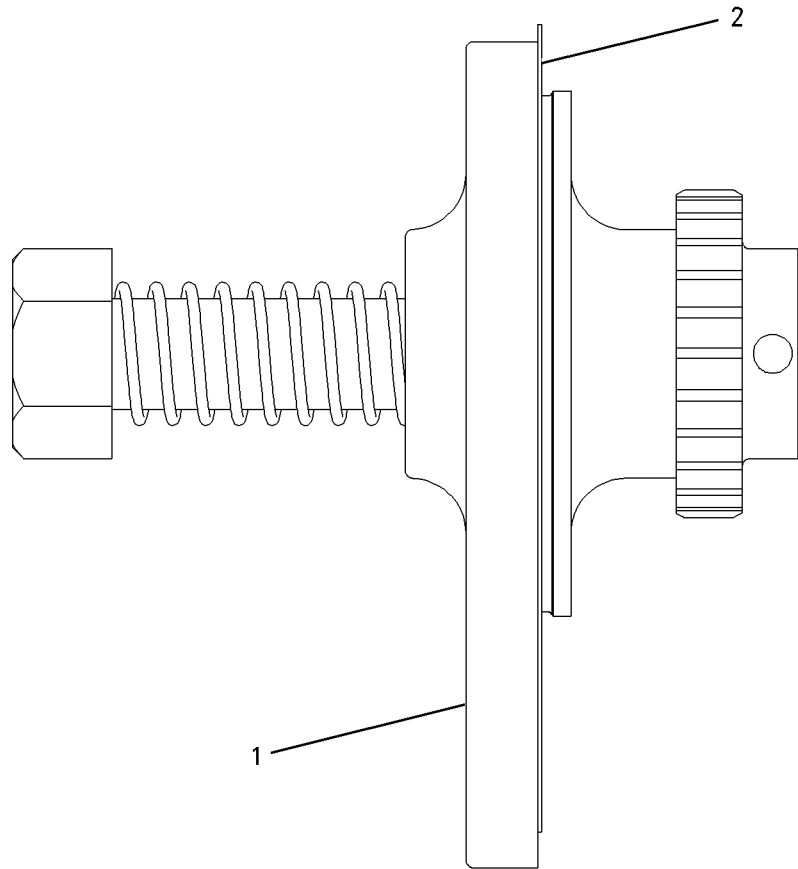
# BASIC ENGINE

## 253-2468 BARRING GP-RH AN ATTACHMENT

SMCS - 1235

i07043623

NOTE	REF NO	GRAPHIC REF	PART NUMBER	QTY	PART NAME						SEE PAGE
					1	2	3	4	5	6 (PRODUCT LEVEL)	
J	1	1	<b>448-5087</b>	1	TOOL - BARRING						
	2	1	<b>4H-7869</b>	1	GASKET						
					AVAILABLE REPAIR KIT(S) :						
J			<b>450-3711</b>	1	KIT-BUSHING						
					(INCLUDES BEARING & DOWEL)						
J - KIT MARKED J SERVICES PART(S) MARKED J											



GRAPHIC #1

<END>

g00824462

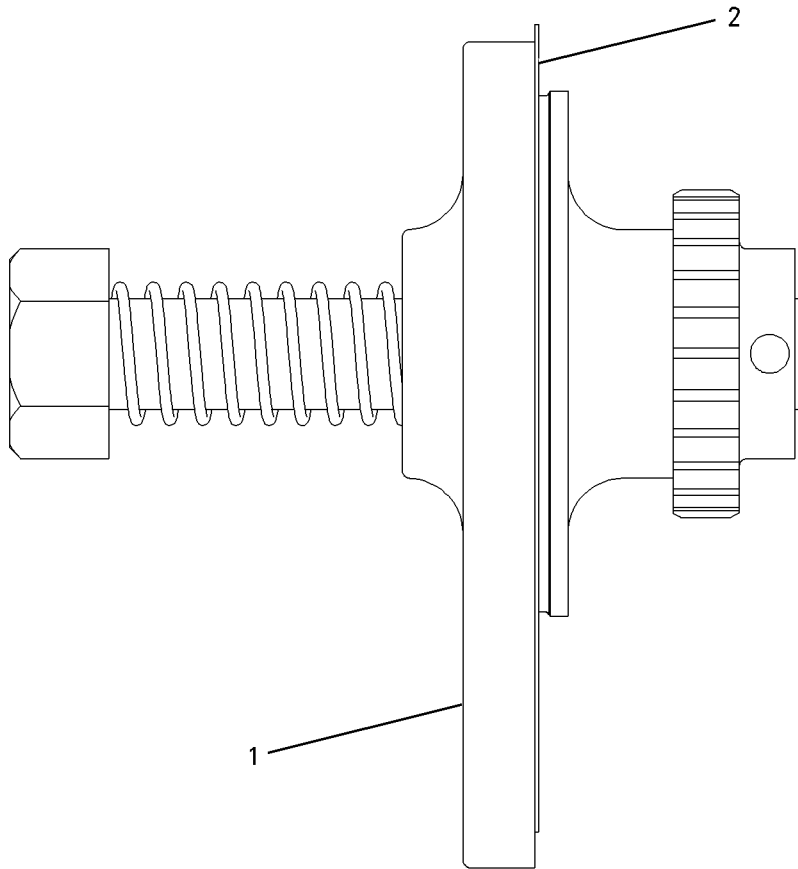
# BASIC ENGINE

## 5R-7425 BARRING GP-LH AN ATTACHMENT

SMCS - 1235

i07168768

NOTE	REF NO	GRAPHIC REF	PART NUMBER	QTY	PART NAME						SEE PAGE
					1	2	3	4	5	6 (PRODUCT LEVEL)	
J	1	1	<b>448-5087</b>	1	TOOL - BARRING						
	2	1	<b>4H-7869</b>	1	GASKET						
					AVAILABLE REPAIR KIT(S) :						
J			<b>450-3711</b>	1	KIT-BUSHING						
					(INCLUDES BEARING & DOWEL)						
J - KIT MARKED J SERVICES PART(S) MARKED J											



GRAPHIC #1

<END>

g00824462

# BASIC ENGINE

## 247-8341 BASE GP-VALVE COVER

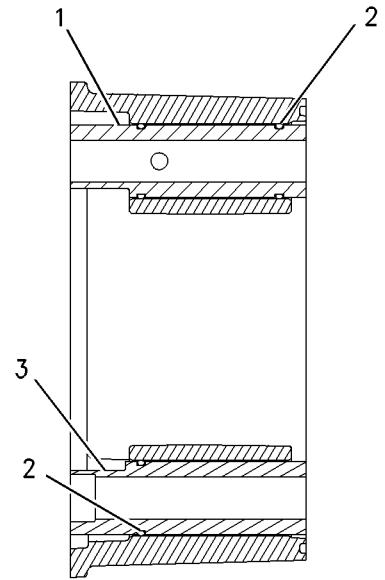
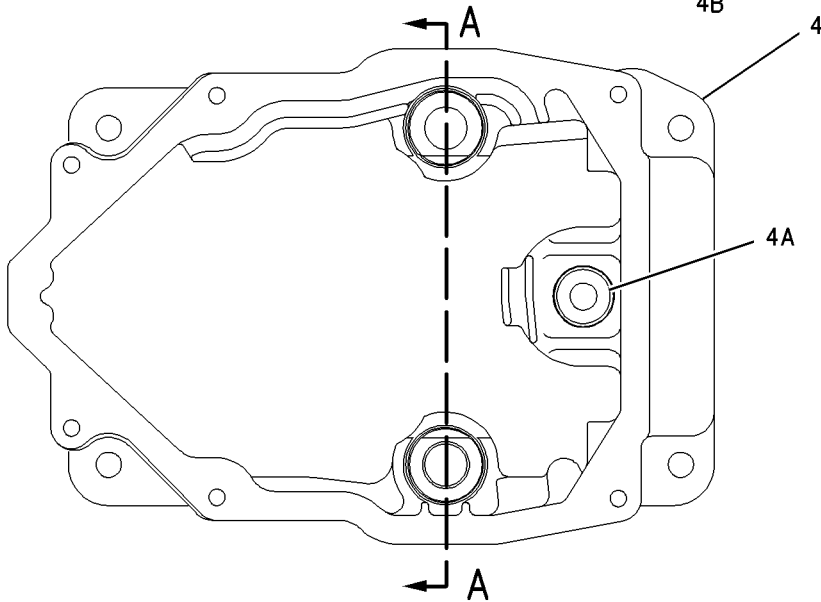
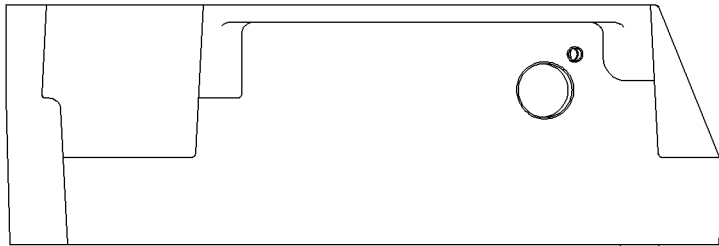
S/N: 50Y647-1304

PART OF 10R-9762 KIT-CONVERSION, 350-2143 KIT-ENGINE CONVERSION, 224-9869, 308-5356 VALVE MECHANISM GP

SMCS-1120

i02685870

NOTE	REF NO	GRAPHIC REF	PART NUMBER	QTY	PART NAME						SEE PAGE
					1	2	3	4	5	6 (PRODUCT LEVEL)	
	1	1	<b>119-0839</b>	1	SPACER (17.5X30.94X98-MM)						
	2	1	<b>6V-6228</b>	3	SEAL-O-RING						
	3	1	<b>119-0838</b>	1	SPACER (17.5X30.94X98-MM)						
	4	1	<b>247-8340</b>	1	BASE AS						
	4A	1	<b>120-4339</b>	1	WASHER-SPRING						
	4B	1	<b>261-0195</b>	1	DOWEL-HOLLOW						



SECTION A-A

GRAPHIC #1

<END>

g00842340

# BASIC ENGINE

## 106-4586 CAMSHAFT GP

S/N: 50Y647-1304

PART OF 376-4849 ENGINE AR-COMPLETE

SMCS-1210

i06285450

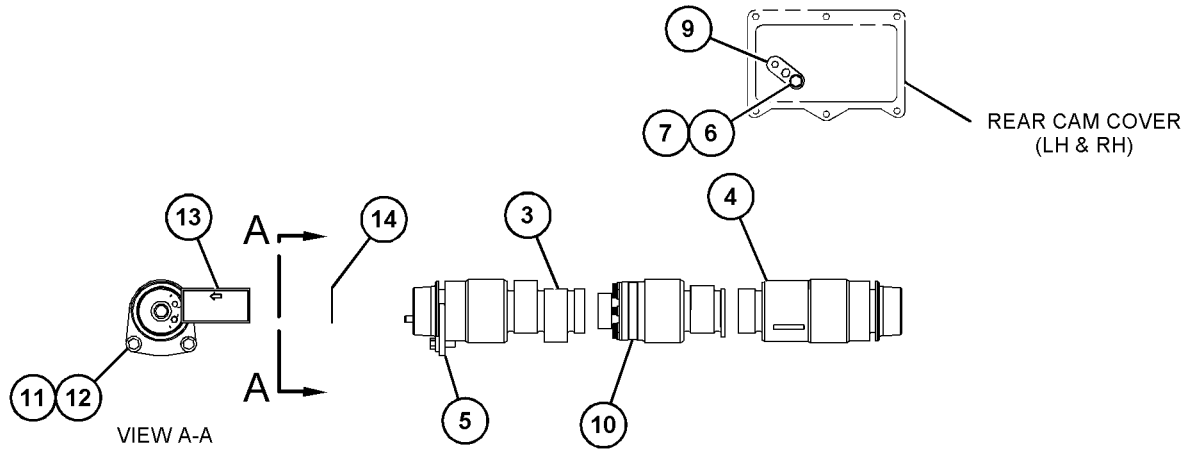
NOTE	REF NO	GRAPHIC REF	PART NUMBER	QTY	PART NAME						SEE PAGE
					1	2	3	4	5	6	
R	1	1	<b>452-2501</b>	1	CAMSHAFT AS (REAR, RH)						
		1	<b>4N-1650</b>	1	DOWEL						
	2	1	<b>5P-0076</b>	16	BOLT-12 POINT HEAD (3/8-16X1.5-IN)						
R	3	1	<b>452-2502</b>	1	CAMSHAFT AS (REAR, LH)						
		1	<b>5B-5821</b>	1	DOWEL						
R	4	1	<b>452-2503</b>	1	CAMSHAFT AS (FRONT, LH)						
		1	<b>4N-1650</b>	1	DOWEL						
C	5	1	<b>7N-3218</b>	2	WASHER-THRUST						
	6	1	<b>0S-0509</b>	2	BOLT (3/8-16X0.75-IN)						
	7	1	<b>5M-2894</b>	2	WASHER-HARD (10.2X18.5X2.5-MM THK)						
R	8	1	<b>452-2504</b>	1	CAMSHAFT AS (FRONT, RH)						
		1	<b>5B-5821</b>	1	DOWEL						
	9	1	<b>4W-6664</b>	2	PLATE AS-TIMING						
	10	1	<b>7N-3216</b>	2	SPACER (35.035X84X12-MM THK)						
C	11	1	<b>1A-2029</b>	4	BOLT (3/8-16X1.125-IN)						
	12	1	<b>8M-9024</b>	4	WASHER-HARD (10.2X22.5X5-MM THK)						
	13	1	<b>250-3444</b>	1	FILM-INFORMATION (STANDARD ROTATION)						
	14	1	<b>310-2131</b>	1	FILM-INFORMATION (ROTATION, FIRING ORDER)						

C - CHANGE FROM PREVIOUS TYPE  
R - REMANUFACTURED PART MAY BE AVAILABLE

# BASIC ENGINE

106-4586 CAMSHAFT GP (contd.)

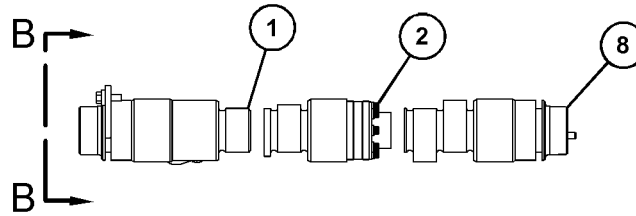
106285450



VIEW A-A



VIEW B-B



GRAPHIC #1

<END>

g06110312

# BASIC ENGINE

## 308-5361 CAMSHAFT GP

S/N: 50Y647-1304

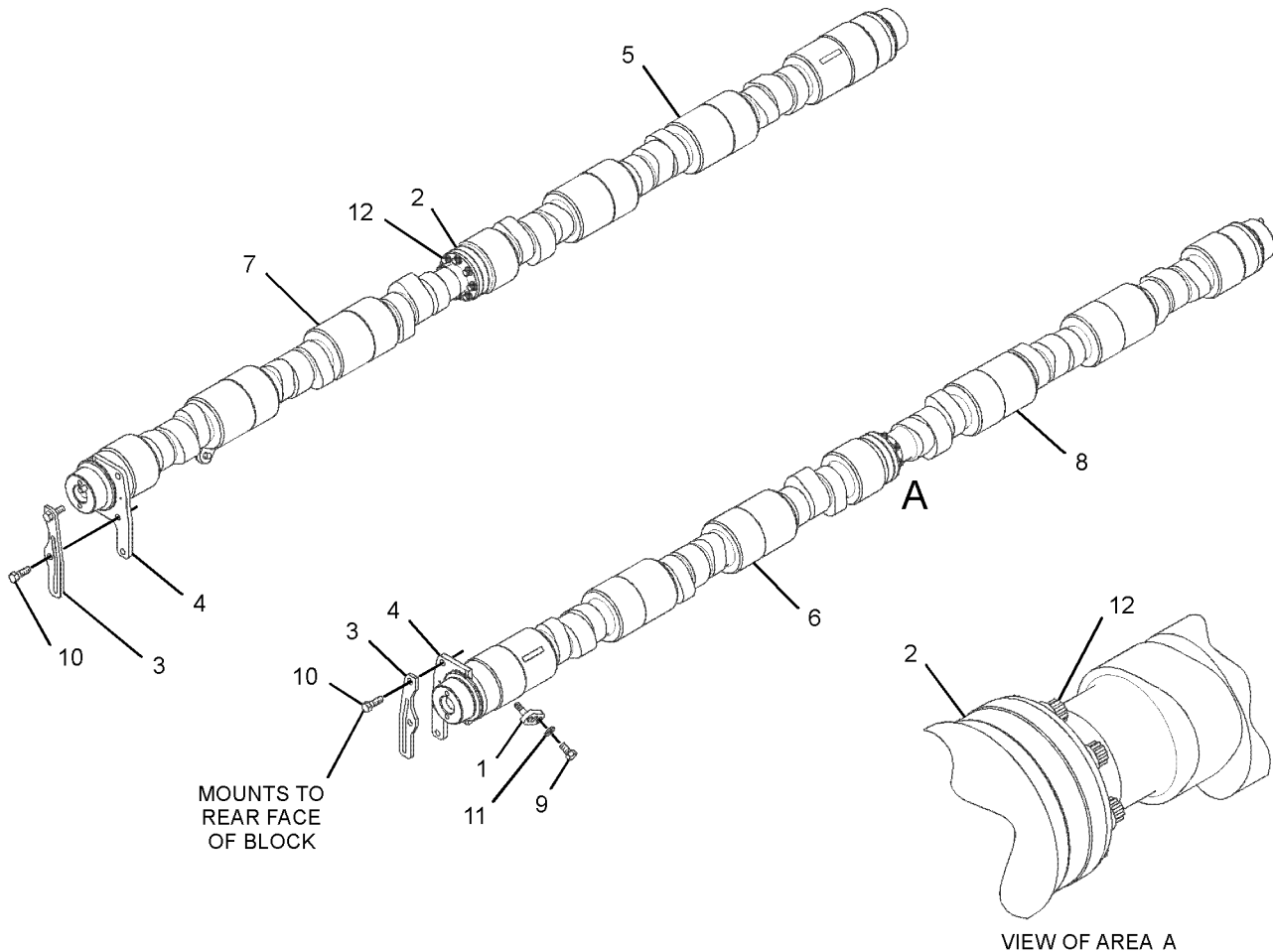
PART OF 357-0858 ENGINE AR-COMplete

SMCS-1210

i05854145

NOTE	REF NO	GRAPHIC REF	PART NUMBER	QTY	PART NAME						SEE PAGE
					1	2	3	4	5	6	
	1	1	<b>4W-6664</b>	2	PLATE AS-TIMING						
	2	1	<b>7N-3216</b>	2	SPACER (35.035X84X12-MM THK)						
	3	1	<b>117-9308</b>	2	PLATE						
	4	1	<b>128-5993</b>	2	WASHER - THRUST						
R	5	1	<b>283-5732</b>	1	CAMSHAFT AS						
		1	<b>4N-1650</b>	1	DOWEL						
R	6	1	<b>283-5738</b>	1	CAMSHAFT AS						
		1	<b>4N-1650</b>	1	DOWEL						
R	7	1	<b>308-5353</b>	1	CAMSHAFT AS						
		1	<b>5B-5821</b>	1	DOWEL						
R	8	1	<b>308-5355</b>	1	CAMSHAFT AS						
		1	<b>5B-5821</b>	1	DOWEL						
	9	1	<b>0S-0509</b>	2	BOLT (3/8-16X0.75-IN)						
	10	1	<b>1A-2029</b>	4	BOLT (3/8-16X1.125-IN)						
	11	1	<b>5M-2894</b>	2	WASHER-HARD (10.2X18.5X2.5-MM THK)						
	12	1	<b>5P-0076</b>	16	BOLT-12 POINT HEAD (3/8-16X1.5-IN)						

R - REMANUFACTURED PART MAY BE AVAILABLE



GRAPHIC #1

<END>

g01373151



# BASIC ENGINE

## 4W-1774 CAMSHAFT GP

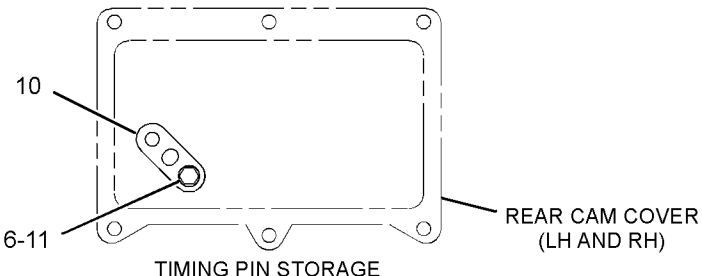
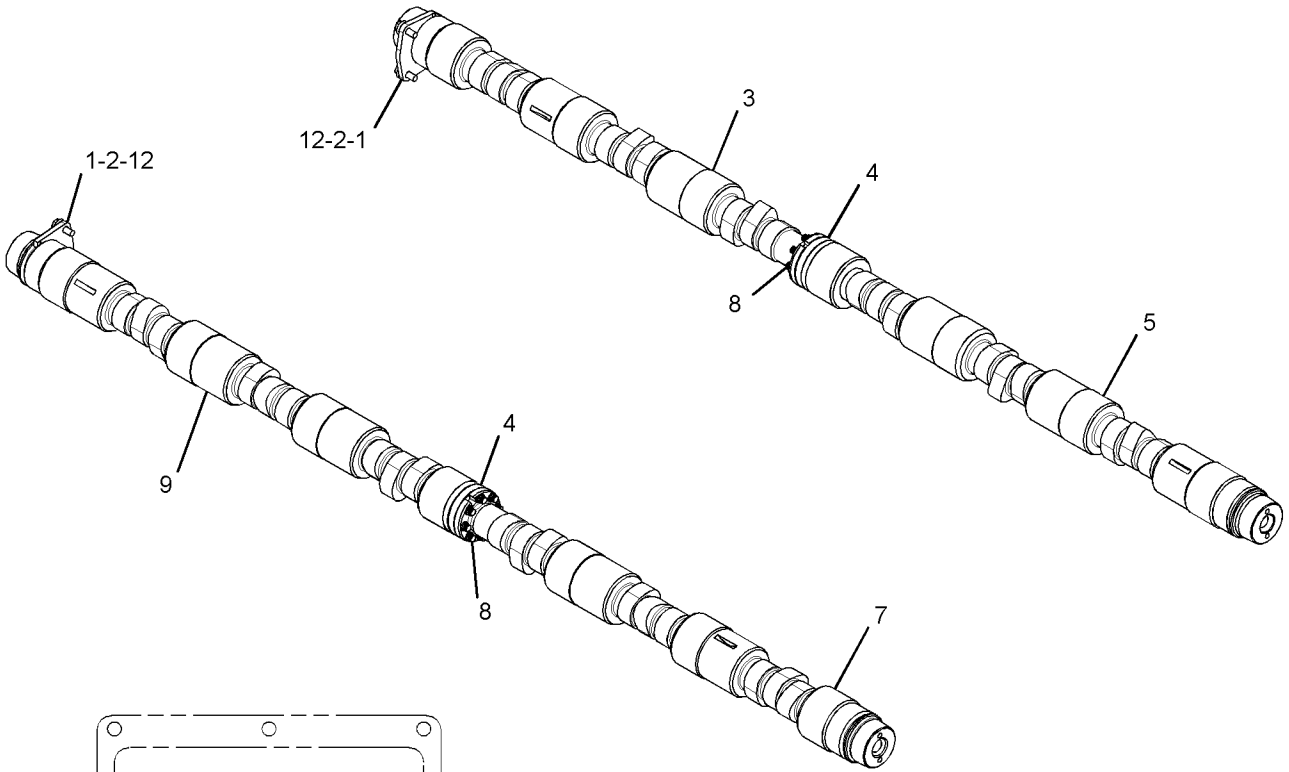
S/N: 66Z190-578

SMCS-1210

i03577013

NOTE	REF NO	GRAPHIC REF	PART NUMBER	QTY	PART NAME						SEE PAGE
					1	2	3	4	5	6 (PRODUCT LEVEL)	
	1	1	<b>7N-3218</b>	2	WASHER-THRUST						
	2	1	<b>1A-2029</b>	4	BOLT (3/8-16X1.125-IN)						
R	3	1	<b>7C-0667</b>	1	CAMSHAFT (REAR, LH)						
	4	1	<b>7N-3216</b>	2	SPACER (35.035X84X12-MM THK)						
R	5	1	<b>7C-0672</b>	1	CAMSHAFT AS (FRONT, LH) (FRONT)						
		1	<b>4N-1650</b>	1	DOWEL						
	6	1	<b>5M-2894</b>	2	WASHER-HARD (10.2X18.5X2.5-MM THK)						
R	7	1	<b>7C-0668</b>	1	CAMSHAFT (FRONT, RH)						
	8	1	<b>5P-0076</b>	16	BOLT-12 POINT HEAD (3/8-16X1.5-IN)						
R	9	1	<b>7C-0670</b>	1	CAMSHAFT AS-REAR (RH) (RH)						
		1	<b>4N-1650</b>	1	DOWEL						
	10	1	<b>4W-6664</b>	2	PLATE AS-TIMING						
	11	1	<b>0S-0509</b>	2	BOLT (3/8-16X0.75-IN)						
	12	1	<b>8M-9024</b>	4	WASHER-HARD (10.2X22.5X5-MM THK)						

R - REMANUFACTURED PART MAY BE AVAILABLE



GRAPHIC #1

<END>

g01909554

# BASIC ENGINE

## 4W-9712 CAMSHAFT GP

S/N: 50Y647; 66Z190-206

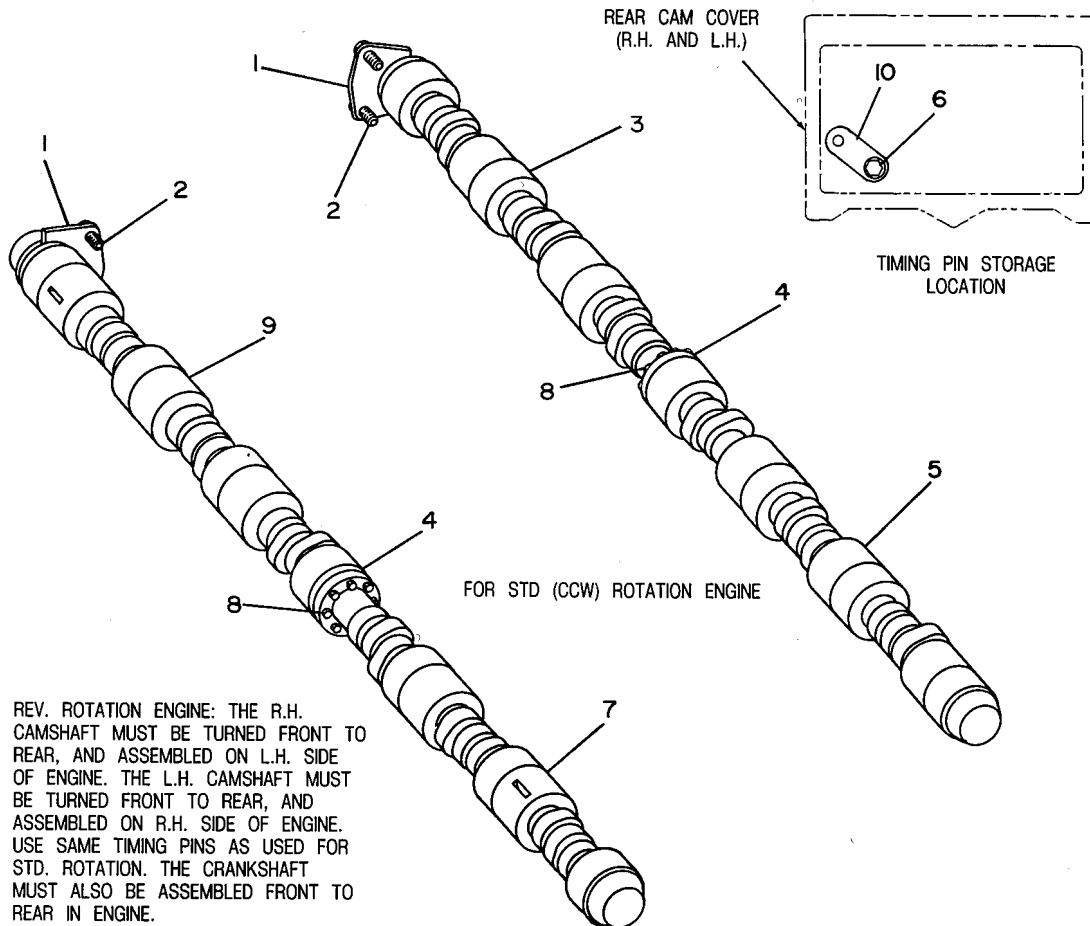
STANDARD ROTATION

SMCS-1210

i00119373

NOTE	REF NO	GRAPHIC REF	PART NUMBER	QTY	PART NAME						SEE PAGE
					1	2	3	4	5	6 (PRODUCT LEVEL)	
	1	1	<b>7N-3218</b>	2	WASHER - THRUST						
	2	1	<b>0L-1351</b>	4	BOLT (3/8-16X0.875-IN)						
	3	1	<b>8N-7656</b>	1	CAMSHAFT						
	4	1	<b>7N-3216</b>	2	SPACER (35.035X84X12-MM THK)						
C	5	1	<b>8N-7659</b>	1	CAMSHAFT AS						
		1	<b>4N-1650</b>	1	DOWEL						
	6	1	<b>0S-0509</b>	2	BOLT (3/8-16X0.75-IN)						
		1	<b>5M-2894</b>	2	WASHER-HARD (10.2X18.5X2.5-MM THK)						
	7	1	<b>8N-7657</b>	1	CAMSHAFT						
	8	1	<b>5P-0076</b>	16	BOLT-12 POINT HEAD (3/8-16X1.5-IN)						
	9	1	<b>8N-7660</b>	1	CAMSHAFT AS						
		1	<b>4N-1650</b>	1	DOWEL						
	10	1	<b>8N-9991</b>	2	PLATE AS-TIMING						
					(EACH INCLUDES)						
		1	<b>1T-0679</b>	1	ROLLER-FREEWHEEL						

C - CHANGE FROM PREVIOUS TYPE



REV. ROTATION ENGINE: THE R.H. CAMSHAFT MUST BE TURNED FRONT TO REAR, AND ASSEMBLED ON L.H. SIDE OF ENGINE. THE L.H. CAMSHAFT MUST BE TURNED FRONT TO REAR, AND ASSEMBLED ON R.H. SIDE OF ENGINE. USE SAME TIMING PINS AS USED FOR STD. ROTATION. THE CRANKSHAFT MUST ALSO BE ASSEMBLED FRONT TO REAR IN ENGINE.

GRAPHIC #1

<END>

g00098782

# BASIC ENGINE

## 7W-1255 CAMSHAFT GP

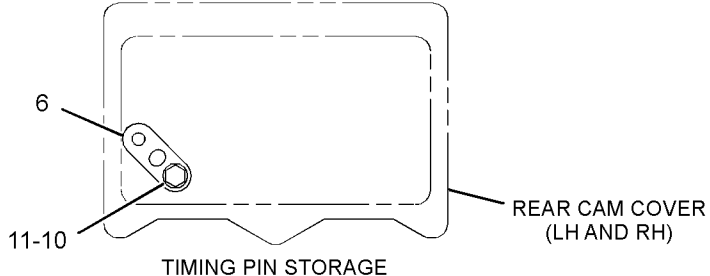
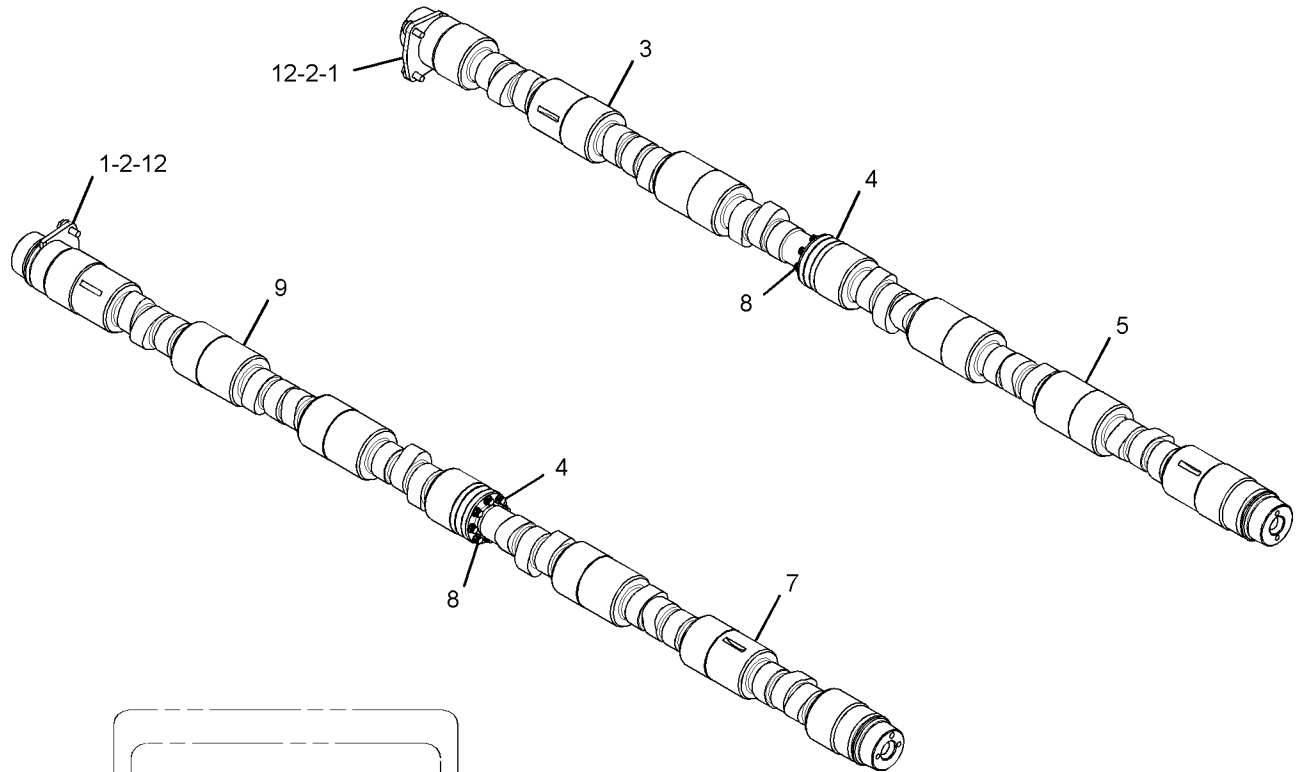
S/N: 50Y647-1304

SMCS-1210

i03577017

NOTE	REF NO	GRAPHIC REF	PART NUMBER	QTY	PART NAME						SEE PAGE
					1	2	3	4	5	6 (PRODUCT LEVEL)	
	1	1	<b>7N-3218</b>	2	WASHER-THRUST						
	2	1	<b>1A-2029</b>	4	BOLT (3/8-16X1.125-IN)						
R	3	1	<b>7E-5322</b>	1	CAMSHAFT-REAR (LH)						
	4	1	<b>7N-3216</b>	2	SPACER (35.035X84X12-MM THK)						
R	5	1	<b>7E-6818</b>	1	CAMSHAFT AS-FRONT (LH)						
		1	<b>4N-1650</b>	1	DOWEL						
	6	1	<b>4W-6664</b>	2	PLATE AS-TIMING						
R	7	1	<b>133-2966</b>	1	CAMSHAFT-FRONT (RH)						
	8	1	<b>5P-0076</b>	16	BOLT-12 POINT HEAD (3/8-16X1.5-IN)						
R	9	1	<b>7E-6815</b>	1	CAMSHAFT AS-REAR (RH)						
		1	<b>4N-1650</b>	1	DOWEL						
	10	1	<b>0S-0509</b>	2	BOLT (3/8-16X0.75-IN)						
	11	1	<b>5M-2894</b>	2	WASHER-HARD (10.2X18.5X2.5-MM THK)						
	12	1	<b>8M-9024</b>	4	WASHER-HARD (10.2X22.5X5-MM THK)						

R - REMANUFACTURED PART MAY BE AVAILABLE



GRAPHIC #1

<END>

g01909793

# BASIC ENGINE

## 3N-4128 CLUTCH AS

PART OF 3N-4130 CLUTCH GP  
AN ATTACHMENT

SMCS-1007

i01978825

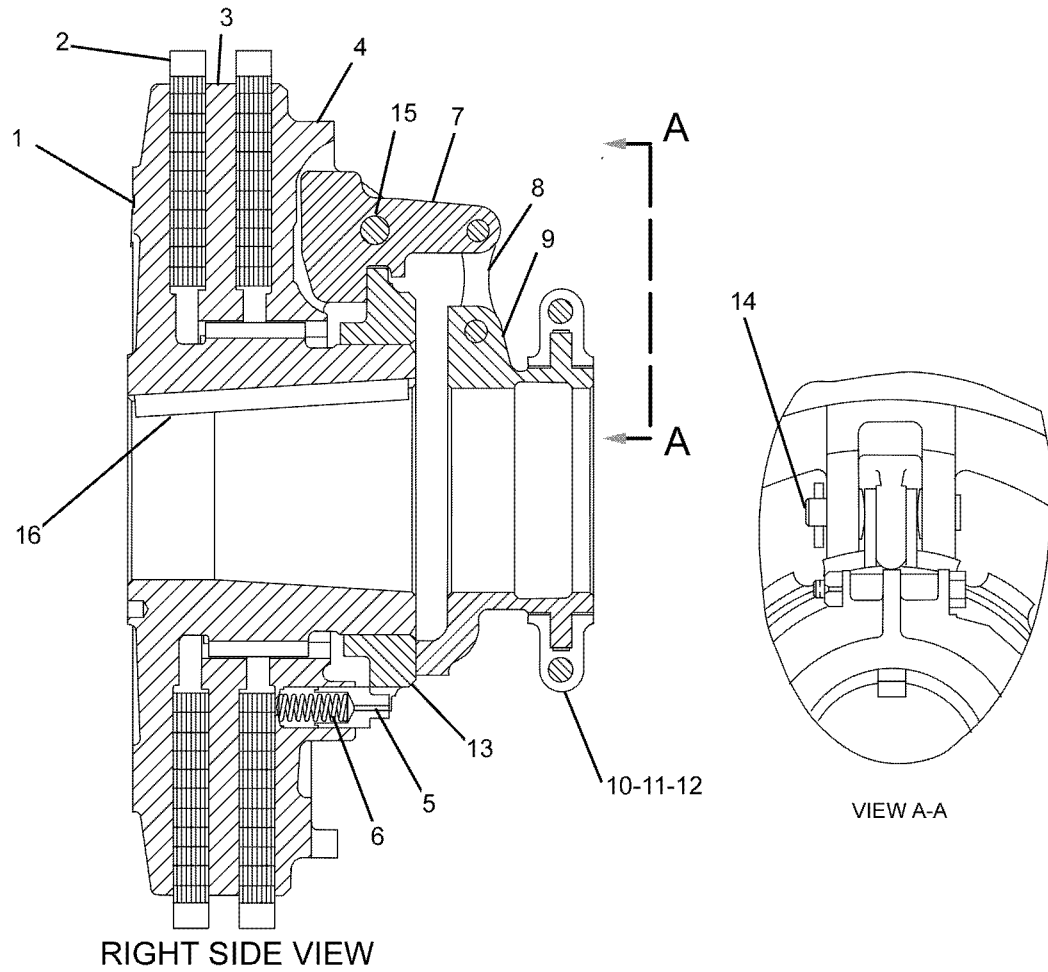
NOTE	REF NO	GRAPHIC REF	PART NUMBER	QTY	PART NAME						SEE PAGE
					1	2	3	4	5	6 (PRODUCT LEVEL)	
	1	1	<b>5L-9652</b>	1	HUB						
	2	1	<b>4L-3527</b>	2	PLATE-CLUTCH DRIVING						
	3	1	<b>3H-9571</b>	1	PLATE-CENTER						
	4	1	<b>3N-8125</b>	1	PLATE AS-PRESSURE						
	5	1	<b>3N-8123</b>	1	LOCK PIN						
	6	1	<b>3N-8124</b>	1	SPRING						
	7	1	<b>4H-0002</b>	4	LEVER						
	8	1	<b>4B-4721</b>	8	LINK						
	9	1	<b>3H-9574</b>	1	SLEEVE						
	10	1	<b>4B-4716</b>	1	COLLAR AS-SLEEVE						
	11	1	<b>0L-0639</b>	2	BOLT (3/8-24X2.25-IN)						
		1	<b>2L-6267</b>	2	LOCKNUT (3/8-24-THD)						
B	12	1	<b>4B-4758</b>	2	SHIM (0.06-IN THK)						
	13	1	<b>3H-9572</b>	1	RING-ADJUSTMENT						
	14	1	<b>6L-3967</b>	8	PIN						
		1	<b>6L-3964</b>	8	PIN-COTTER						
	15	1	<b>6L-3972</b>	8	PIN						
		1	<b>6L-3961</b>	8	PIN-COTTER						
		1	<b>1L-4863</b>	8	WASHER-SPRING						
	16	1	<b>8B-7987</b>	1	KEY-WOODRUFF						

B - USE AS REQUIRED

# BASIC ENGINE

3N-4128 CLUTCH AS (contd.)

101978825



GRAPHIC #1

<END>

g01025988

# BASIC ENGINE

## 3N-4130 CLUTCH GP

PART OF 4W-5821, 7W-0281, 7W-0282 POWER TAKE-OFF GP  
AN ATTACHMENT

SMCS-1007

i01979149

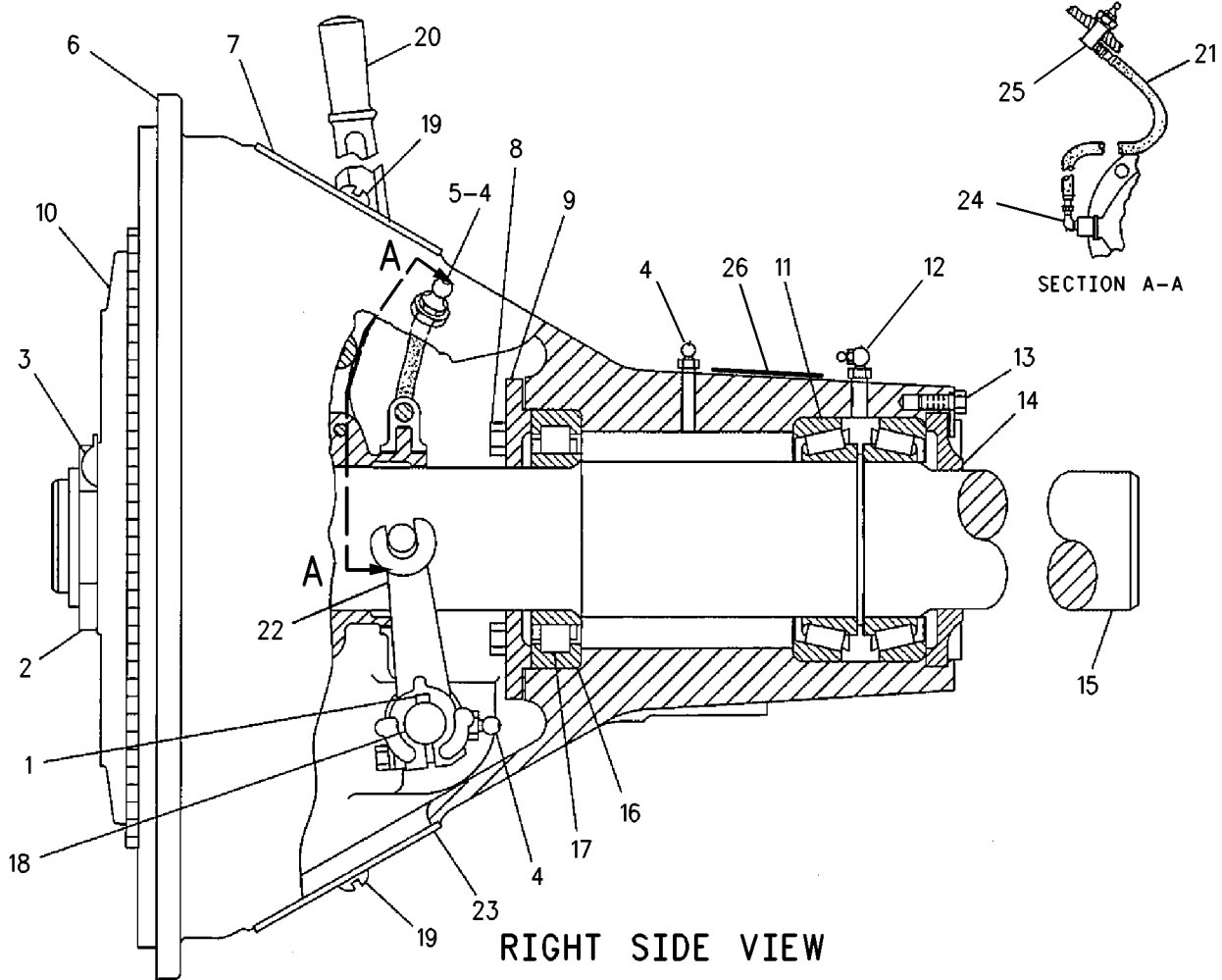
NOTE	REF NO	GRAPHIC REF	PART NUMBER	QTY	PART NAME						SEE PAGE
					1	2	3	4	5	6 (PRODUCT LEVEL)	
	1	1	<b>6L-5151</b>	2	KEY-WOODRUFF						
	2	1	<b>5L-9653</b>	1	NUT						
	3	1	<b>5L-9654</b>	1	LOCK						
	4	1	<b>3B-8489</b>	4	FITTING-GREASE (1/8-27 PTF)						
	5	1	<b>9S-1354</b>	1	NUT (5/8-18-THD)						
		1	<b>6F-0253</b>	1	LOCKWASHER						
	6	1	<b>5N-8645</b>	1	HOUSING-CLUTCH						
	7	1	<b>108-3561</b>	1	PLATE-INSTRUCTION (POWER TAKE-OFF)						
	8	1	<b>0S-1594</b>	4	BOLT (3/8-16X1-IN)						
	9	1	<b>5N-8644</b>	1	PLATE-SEAL						
Y	10	1	<b>3N-4128</b>	1	CLUTCH AS						50
	11	1	<b>6B-3223</b>	2	CUP-BEARING						
		1	<b>4B-7270</b>	2	CONE-BEARING						
	12	1	<b>3B-8488</b>	1	FITTING-GREASE (1/8-27 PTF)						
	13	1	<b>3H-6591</b>	1	BOLT (5/16-18X0.75-IN)						
		1	<b>5B-2407</b>	1	LOCK						
	14	1	<b>5L-9655</b>	1	RETAINER-BEARING						
	15	1	<b>5N-7743</b>	1	SHAFT-CLUTCH						
	16	1	<b>4H-0019</b>	1	RACE & ROLLER AS						
	17	1	<b>5P-7592</b>	1	RACE-ROLLER BEARING (INNER)						
	18	1	<b>4B-4754</b>	1	SHAFT						
	19	1	<b>1L-6931</b>	4	SCREW AS-MACHINE (1/4-20X0.5-IN)						
	20	1	<b>4B-4810</b>	1	LEVER AS-HAND						
		1	<b>0S-1587</b>	1	BOLT (1/2-13X1.75-IN)						
CI	21	1	<b>4W-8403</b>	1	HOSE AS						
	22	1	<b>4B-4792</b>	1	YOKE AS						
		1	<b>0S-1591</b>	2	BOLT (3/8-16X1.5-IN)						
		1	<b>3B-4506</b>	2	LOCKWASHER						
	23	1	<b>7F-8897</b>	1	PLATE						
C	24	1	<b>2N-1287</b>	1	ELBOW-FLARED						
C	25	1	<b>4W-8404</b>	1	FITTING						
	26	1	<b>110-6606</b>	1	PLATE-WARNING (POWER TAKE-OFF)						

C - CHANGE FROM PREVIOUS TYPE  
I - REFER TO HYDRAULIC INFORMATION SYSTEM  
Y - SEPARATE ILLUSTRATION

# BASIC ENGINE

3N-4130 CLUTCH GP (contd.)

i01979149



GRAPHIC #1

<END>

g00899095

# BASIC ENGINE

## 247-0308 COUPLING GP-FLEXIBLE-GENERATOR

S/N: 50Y647-1304

72-SHORE HARDNESS. 18000-SERIES

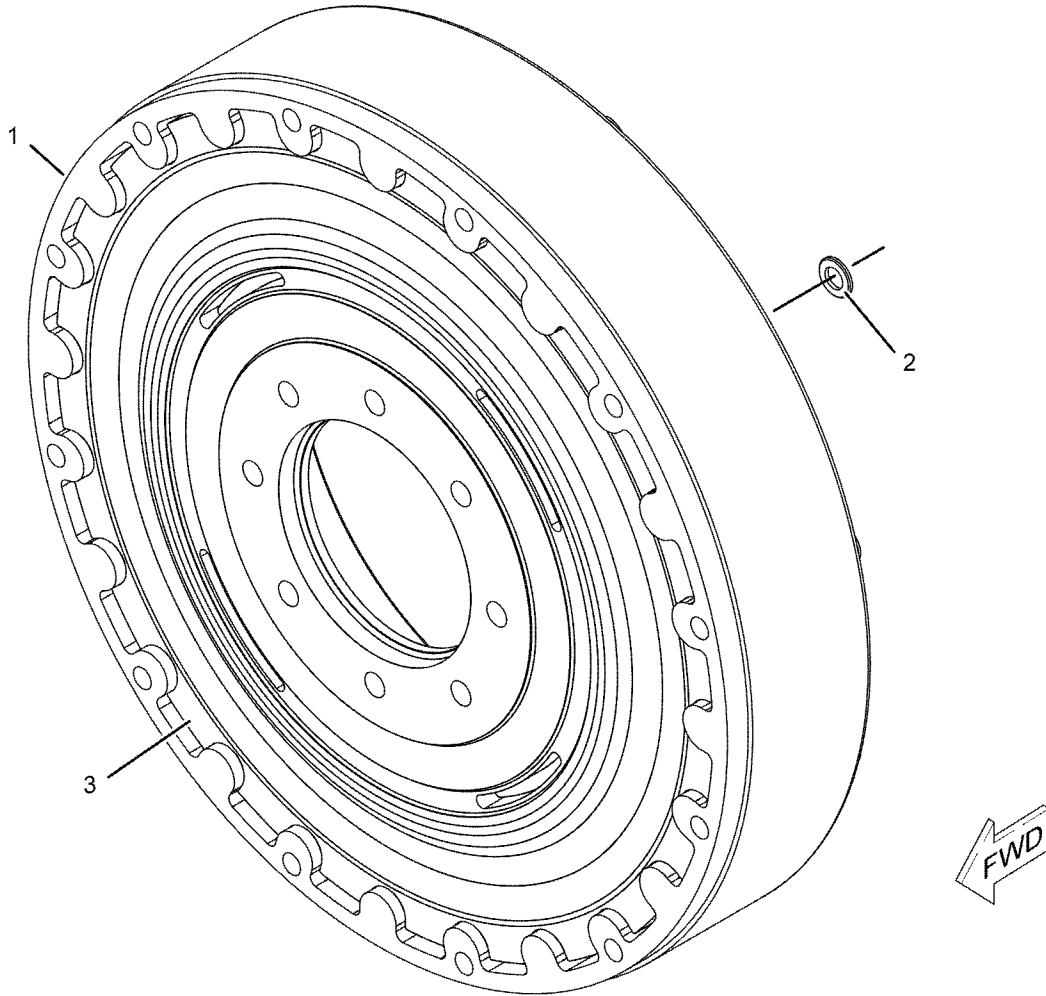
PART OF 268-6475 COUPLING GP-FLEXIBLE

AN ATTACHMENT

SMCS-3252

i05401896

NOTE	REF NO	GRAPHIC REF	PART NUMBER	QTY	PART NAME						SEE PAGE
					1	2	3	4	5	6 (PRODUCT LEVEL)	
	1	1	<b>398-0053</b>	1	COUPLING-OUTER						
	2	1	<b>248-2432</b>	12	WASHER (17X30X3-MM THK)						
	3	1	<b>249-0059</b>	1	COUPLING-INNER						



GRAPHIC #1

<END>

g01125779



# BASIC ENGINE

## 268-6475 COUPLING GP-FLEXIBLE-GENERATOR

S/N: 50Y647-1304

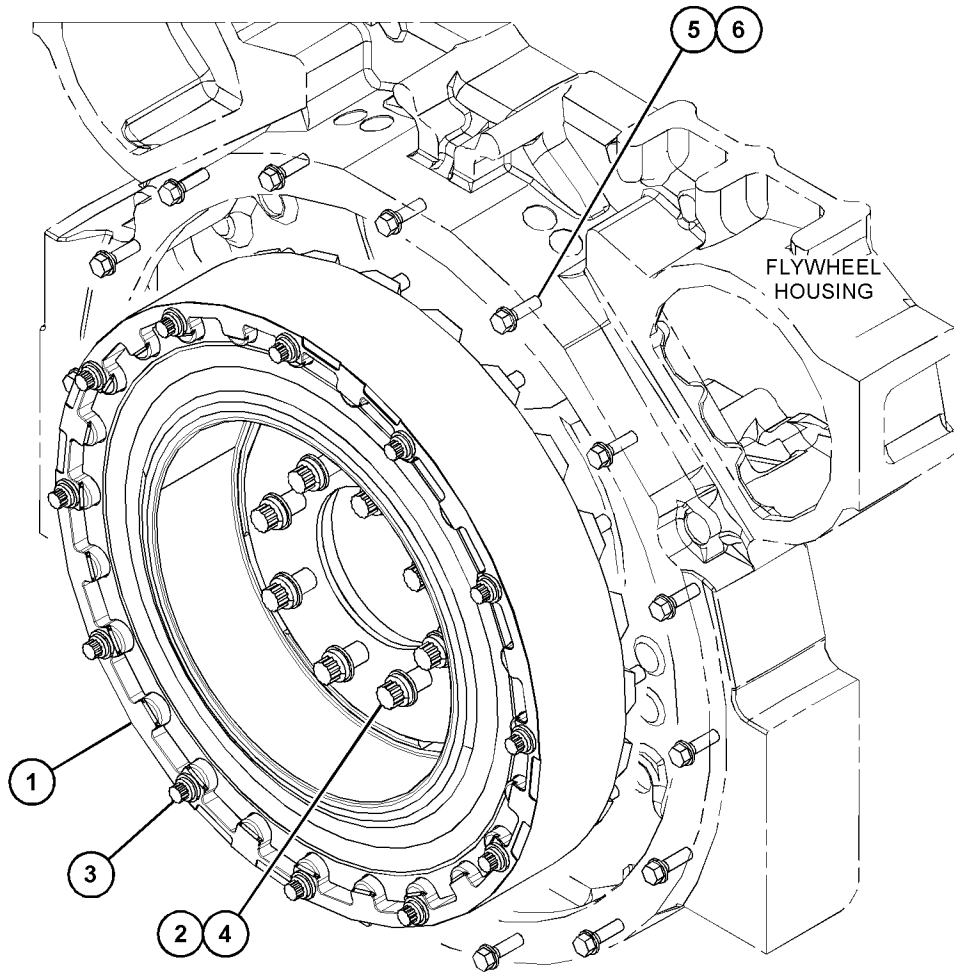
AN ATTACHMENT

SMCS-3252

i05868662

NOTE	REF NO	GRAPHIC REF	PART NUMBER	QTY	PART NAME						SEE PAGE
					1	2	3	4	5	6	
Y	1	1	247-0308	1	COUPLING GP-FLEXIBLE						54
	2	1	4M-6953	8	WASHER-HARD (24X38X3.5-MM THK)						
	3	1	8D-7942	12	BOLT-12 POINT HEAD (5/8-11X6.5-IN)						
	4	1	9X-2119	8	BOLT-12 POINT HEAD (7/8-9X2.5-IN)						
	5	1	8T-4223	16	WASHER-HARD (13.5X25.5X3-MM THK)						
	6	1	8T-8919	16	BOLT (1/2-13X1.75-IN)						

Y - SEPARATE ILLUSTRATION



FLYWHEEL HOUSING

GRAPHIC #1

<END>

g03706000

# BASIC ENGINE

## 2W-6514 COUPLING GP-FLEXIBLE

S/N: 50Y647-1304

VULKAN EZ115S WITHOUT TORSIONAL STOP  
FOR USE WITH "00" FLYWHEEL HOUSING  
CANNOT BE USED WITH 7N-7784 FLYWHEEL GP  
AN ATTACHMENT  
TYPE 1

SMCS-3252

i01329193

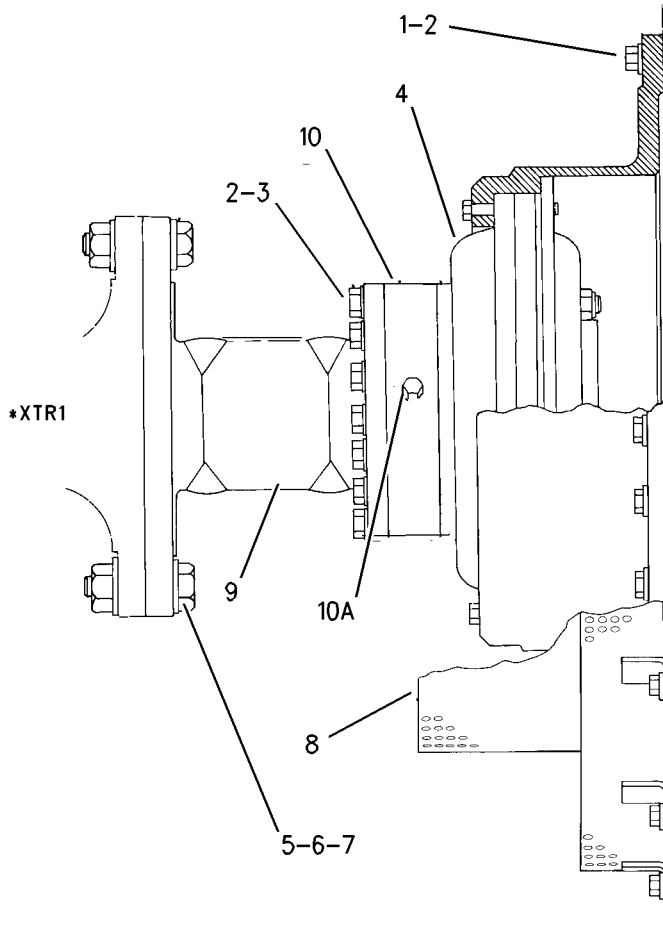
NOTE	REF NO	GRAPHIC REF	PART NUMBER	QTY	PART NAME						SEE PAGE
					1	2	3	4	5	6 (PRODUCT LEVEL)	
	1	1	<b>0S-1589</b>	12	BOLT (5/8-11X1.75-IN)						
	2	1	<b>5P-8247</b>	24	WASHER-HARD (17X32X3.5-MM THK)						
	3	1	<b>1A-8651</b>	12	BOLT (5/8-11X4.5-IN)						
J	4	1	<b>2W-6524</b>	1	COUPLING GP						
	5	1	<b>1D-4628</b>	8	BOLT (7/8-9X3.25-IN)						
	6	1	<b>5P-8249</b>	16	WASHER-HARD (24X41.5X4-MM THK)						
	7	1	<b>2J-3505</b>	8	NUT-FULL (7/8-9-THD)						
CY	8	1	2W-4856	1	GUARD GP-COUPLING						279
	9	1	<b>4W-0758</b>	1	SHAFT AS-EXTENSION						
	10	1	<b>4W-0761</b>	1	SPACER AS						
	10A	1	<b>4H-3283</b>	1	BOLT (3/8-16X9.5-IN)						
		1	<b>9S-8752</b>	1	NUT-FULL (3/8-16-THD)						
		1	<b>5M-2894</b>	2	WASHER-HARD (10.2X18.5X2.5-MM THK)						
AVAILABLE REPAIR KIT(S):											
J			<b>2W-6526</b>	1	ELEMENT AS (TORSIONAL FLEX COUPLING)						
(INCLUDES ONE PAIR COUPLING ELEMENTS)											

C - CHANGE FROM PREVIOUS TYPE  
J - KIT MARKED J INCLUDES PART(S) MARKED J  
Y - SEPARATE ILLUSTRATION

# BASIC ENGINE

2W-6514 COUPLING GP-FLEXIBLE (contd.)

101329193



GRAPHIC #1

<END>

g00703474

# BASIC ENGINE

## 2W-6514 COUPLING GP-FLEXIBLE

S/N: 50Y647-1304

VULKAN EZ115S WITHOUT TORSIONAL STOP  
 FOR USE WITH "00" FLYWHEEL HOUSING  
 CANNOT BE USED WITH 7N-7784 FLYWHEEL GP  
 AN ATTACHMENT  
 TYPE 2

SMCS-3252

i01329345

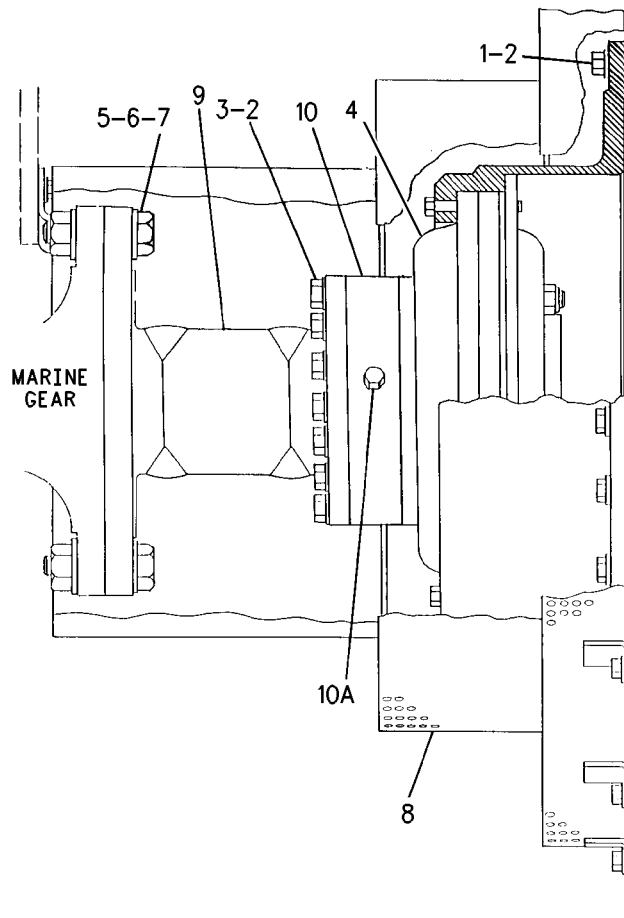
NOTE	REF NO	GRAPHIC REF	PART NUMBER	QTY	PART NAME						SEE PAGE
					1	2	3	4	5	6 (PRODUCT LEVEL)	
	1	1	<b>0S-1589</b>	12	BOLT (5/8-11X1.75-IN)						
	2	1	<b>5P-8247</b>	24	WASHER-HARD (17X32X3.5-MM THK)						
	3	1	<b>1A-8651</b>	12	BOLT (5/8-11X4.5-IN)						
J	4	1	<b>2W-6524</b>	1	COUPLING GP						
	5	1	<b>1D-4628</b>	8	BOLT (7/8-9X3.25-IN)						
	6	1	<b>5P-8249</b>	16	WASHER-HARD (24X41.5X4-MM THK)						
	7	1	<b>2J-3505</b>	8	NUT-FULL (7/8-9-THD)						
CY	8	1	<i>7W-8105</i>	1	GUARD GP-COUPLING						280
	9	1	<b>4W-0758</b>	1	SHAFT AS-EXTENSION						
	10	1	<b>4W-0761</b>	1	SPACER AS						
	10A	1	<b>4H-3283</b>	1	BOLT (3/8-16X9.5-IN)						
		1	<b>9S-8752</b>	1	NUT-FULL (3/8-16-THD)						
		1	<b>5M-2894</b>	2	WASHER-HARD (10.2X18.5X2.5-MM THK)						
AVAILABLE REPAIR KIT(S):											
J			<b>2W-6526</b>	1	ELEMENT AS (TORSIONAL FLEX COUPLING)						
(INCLUDES ONE PAIR COUPLING ELEMENTS)											

C - CHANGE FROM PREVIOUS TYPE  
 J - KIT MARKED J AVAILABLE FOR PART MARKED J  
 Y - SEPARATE ILLUSTRATION

# BASIC ENGINE

2W-6514 COUPLING GP-FLEXIBLE (contd.)

101329345



GRAPHIC #1

<END>

g00704285

# BASIC ENGINE

## 2W-6943 COUPLING GP-FLEXIBLE

S/N: 50Y647-1304

VULKAN EZ115S WITH TORSIONAL STOP  
 FOR USE WITH "00" FLYWHEEL HOUSING  
 CANNOT BE USED WITH 7N-7784 FLYWHEEL GP  
 AN ATTACHMENT  
 TYPE 1

SMCS-3252

i01328784

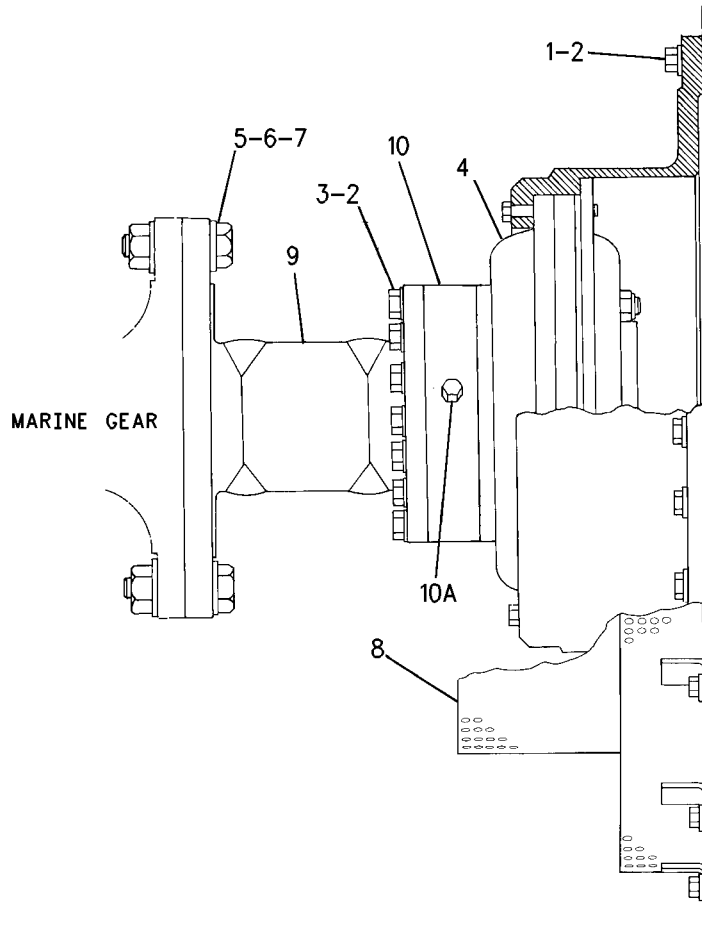
NOTE	REF NO	GRAPHIC REF	PART NUMBER	QTY	PART NAME						SEE PAGE
					1	2	3	4	5	6 (PRODUCT LEVEL)	
	1	1	<b>0S-1589</b>	12	BOLT (5/8-11X1.75-IN)						
	2	1	<b>5P-8247</b>	24	WASHER-HARD (17X32X3.5-MM THK)						
	3	1	<b>1A-8651</b>	12	BOLT (5/8-11X4.5-IN)						
J	4	1	<b>2W-6525</b>	1	COUPLING GP						
	5	1	<b>1D-4628</b>	8	BOLT (7/8-9X3.25-IN)						
	6	1	<b>5P-8249</b>	16	WASHER-HARD (24X41.5X4-MM THK)						
	7	1	<b>2J-3505</b>	8	NUT-FULL (7/8-9-THD)						
CY	8	1	2W-4856	1	GUARD GP-COUPLING						279
	9	1	<b>4W-0758</b>	1	SHAFT AS-EXTENSION						
	10	1	<b>4W-0761</b>	1	SPACER AS						
	10A	1	<b>4H-3283</b>	1	BOLT (3/8-16X9.5-IN)						
		1	<b>9S-8752</b>	1	NUT-FULL (3/8-16-THD)						
		1	<b>5M-2894</b>	2	WASHER-HARD (10.2X18.5X2.5-MM THK)						
AVAILABLE REPAIR KIT(S):											
J			<b>2W-6526</b>	1	ELEMENT AS (TORSIONAL FLEX COUPLING)						
(INCLUDES ONE PAIR COUPLING ELEMENTS)											

C - CHANGE FROM PREVIOUS TYPE  
 J - KIT MARKED J AVAILABLE FOR PART MARKED J  
 Y - SEPARATE ILLUSTRATION

# BASIC ENGINE

2W-6943 COUPLING GP-FLEXIBLE (contd.)

101328784



GRAPHIC #1

<END>

g00703846

# BASIC ENGINE

## 2W-6943 COUPLING GP-FLEXIBLE

S/N: 50Y647-1304

VULKAN EZ115S WITH TORSIONAL STOP  
 FOR USE WITH "00" FLYWHEEL HOUSING  
 CANNOT BE USED WITH 7N-7784 FLYWHEEL GP  
 AN ATTACHMENT  
 TYPE 2

SMCS-3252

i01328807

NOTE	REF NO	GRAPHIC REF	PART NUMBER	QTY	PART NAME						SEE PAGE
					1	2	3	4	5	6 (PRODUCT LEVEL)	
	1	1	<b>0S-1589</b>	12	BOLT (5/8-11X1.75-IN)						
	2	1	<b>5P-8247</b>	24	WASHER-HARD (17X32X3.5-MM THK)						
	3	1	<b>1A-8651</b>	12	BOLT (5/8-11X4.5-IN)						
J	4	1	<b>2W-6525</b>	1	COUPLING GP						
	5	1	<b>1D-4628</b>	8	BOLT (7/8-9X3.25-IN)						
	6	1	<b>5P-8249</b>	16	WASHER-HARD (24X41.5X4-MM THK)						
	7	1	<b>2J-3505</b>	8	NUT-FULL (7/8-9-THD)						
CY	8	1	<i>7W-8105</i>	1	GUARD GP-COUPLING						280
	9	1	<b>4W-0758</b>	1	SHAFT AS-EXTENSION						
	10	1	<b>4W-0761</b>	1	SPACER AS						
	10A	1	<b>4H-3283</b>	1	BOLT (3/8-16X9.5-IN)						
		1	<b>9S-8752</b>	1	NUT-FULL (3/8-16-THD)						
		1	<b>5M-2894</b>	2	WASHER-HARD (10.2X18.5X2.5-MM THK)						
AVAILABLE REPAIR KIT(S):											
J			<b>2W-6526</b>	1	ELEMENT AS (TORSIONAL FLEX COUPLING)						
(INCLUDES ONE PAIR COUPLING ELEMENTS)											

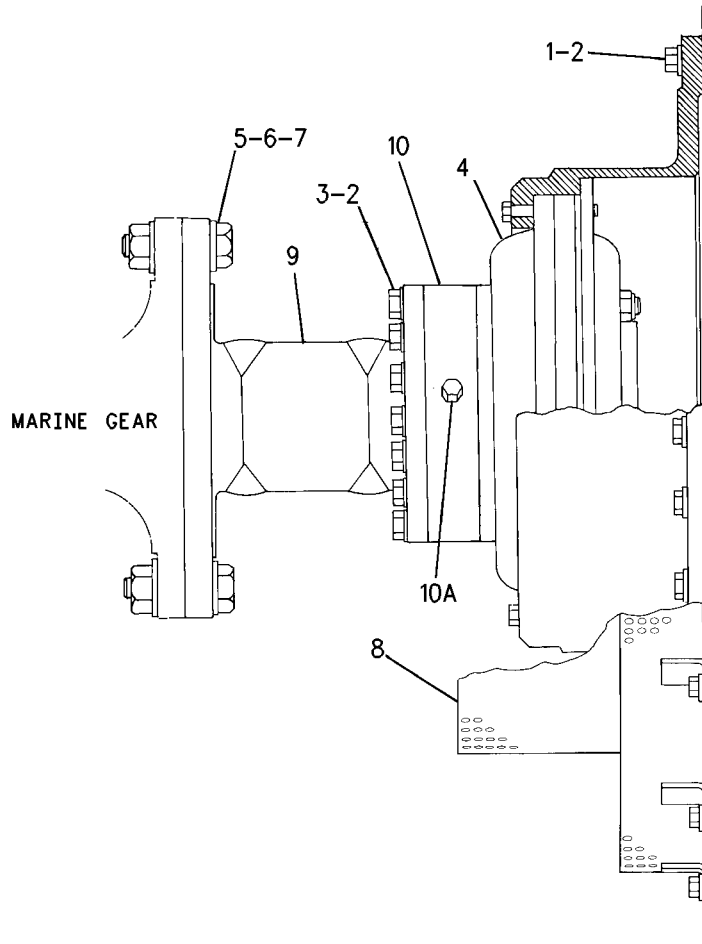
C - CHANGE FROM PREVIOUS TYPE  
 J - KIT MARKED J AVAILABLE FOR PART MARKED J  
 Y - SEPARATE ILLUSTRATION



# BASIC ENGINE

2W-6943 COUPLING GP-FLEXIBLE (contd.)

101328807



GRAPHIC #1

<END>

g00703899

# BASIC ENGINE

## 4W-0756 COUPLING GP-FLEXIBLE

S/N: 66Z190-578

VULKAN EZ121S WITHOUT TORSIONAL STOP

AN ATTACHMENT

TYPE 1

SMCS-3252

i01329687

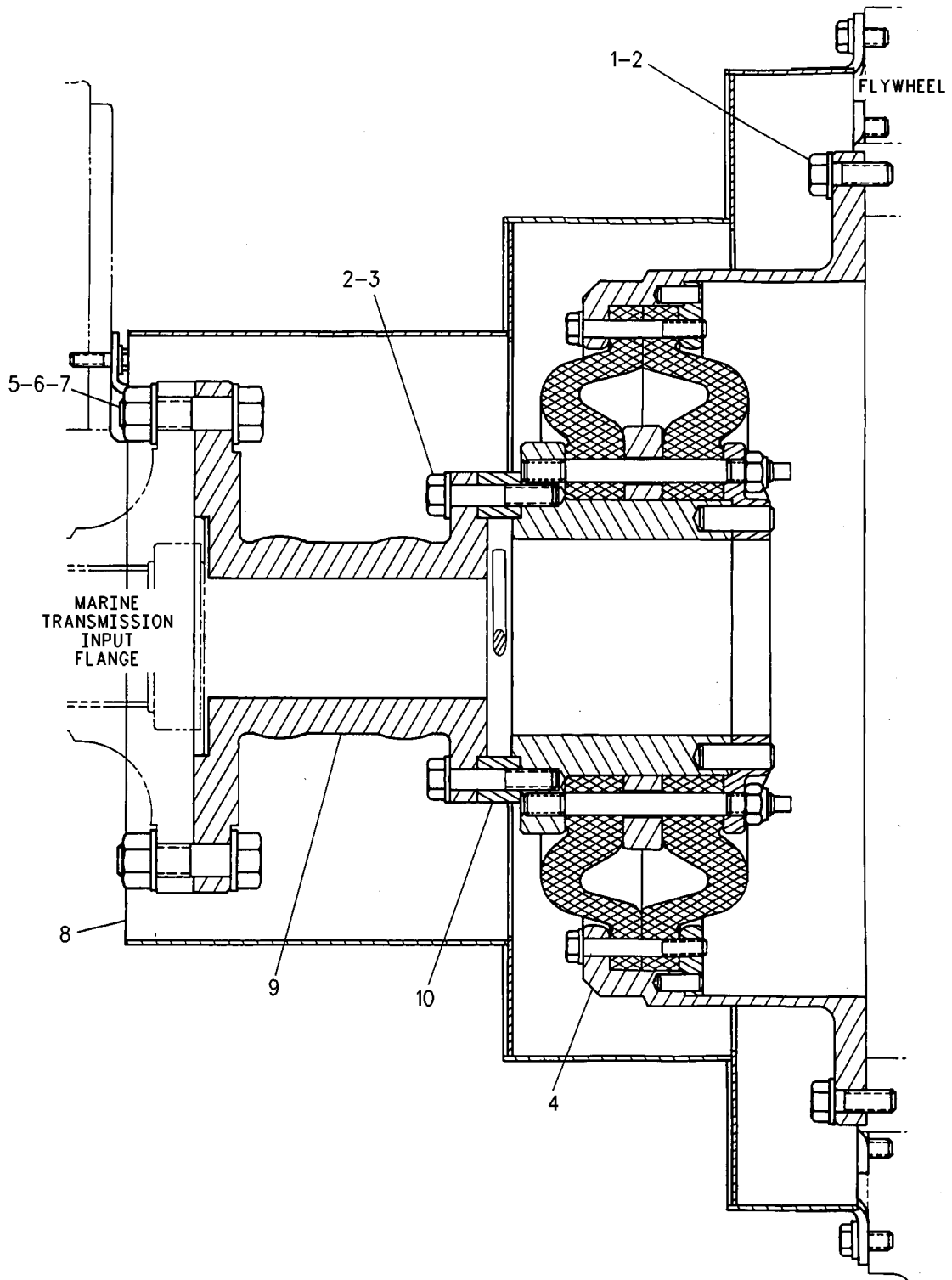
NOTE	REF NO	GRAPHIC REF	PART NUMBER	QTY	PART NAME						SEE PAGE
					1	2	3	4	5	6 (PRODUCT LEVEL)	
	1	1	<b>0S-1589</b>	12	BOLT (5/8-11X1.75-IN)						
	2	1	<b>5P-8247</b>	24	WASHER-HARD (17X32X3.5-MM THK)						
	3	1	<b>1A-8537</b>	12	BOLT (5/8-11X2.75-IN)						
J	4	1	<b>4W-0765</b>	1	COUPLING GP						
	5	1	<b>1D-4628</b>	8	BOLT (7/8-9X3.25-IN)						
	6	1	<b>5P-8249</b>	16	WASHER-HARD (24X41.5X4-MM THK)						
	7	1	<b>2J-3505</b>	8	NUT-FULL (7/8-9-THD)						
Y	8	1	<i>2W-4856</i>	1	GUARD GP-COUPLING						279
	9	1	<b>4W-0758</b>	1	SHAFT AS-EXTENSION						
	10	1	<b>4W-0762</b>	1	SPACER AS-DISC						
		1	<b>4H-3283</b>	1	BOLT (3/8-16X9.5-IN)						
		1	<b>5M-2894</b>	2	WASHER-HARD (10.2X18.5X2.5-MM THK)						
		1	<b>9S-8752</b>	1	NUT-FULL (3/8-16-THD)						
AVAILABLE REPAIR KIT(S):											
J			<b>4W-0803</b>	1	ELEMENT AS (TORSIONAL FLEX COUPLING)						
(INCLUDES ONE PAIR COUPLING ELEMENTS)											

J - KIT MARKED J AVAILABLE FOR PART MARKED J  
 Y - SEPARATE ILLUSTRATION

# BASIC ENGINE

4W-0756 COUPLING GP-FLEXIBLE (contd.)

101329687



GRAPHIC #1

<END>

g00703612

# BASIC ENGINE

## 4W-0756 COUPLING GP-FLEXIBLE

S/N: 66Z190-578

VULKAN EZ121S WITHOUT TORSIONAL STOP

AN ATTACHMENT

TYPE 2

SMCS-3252

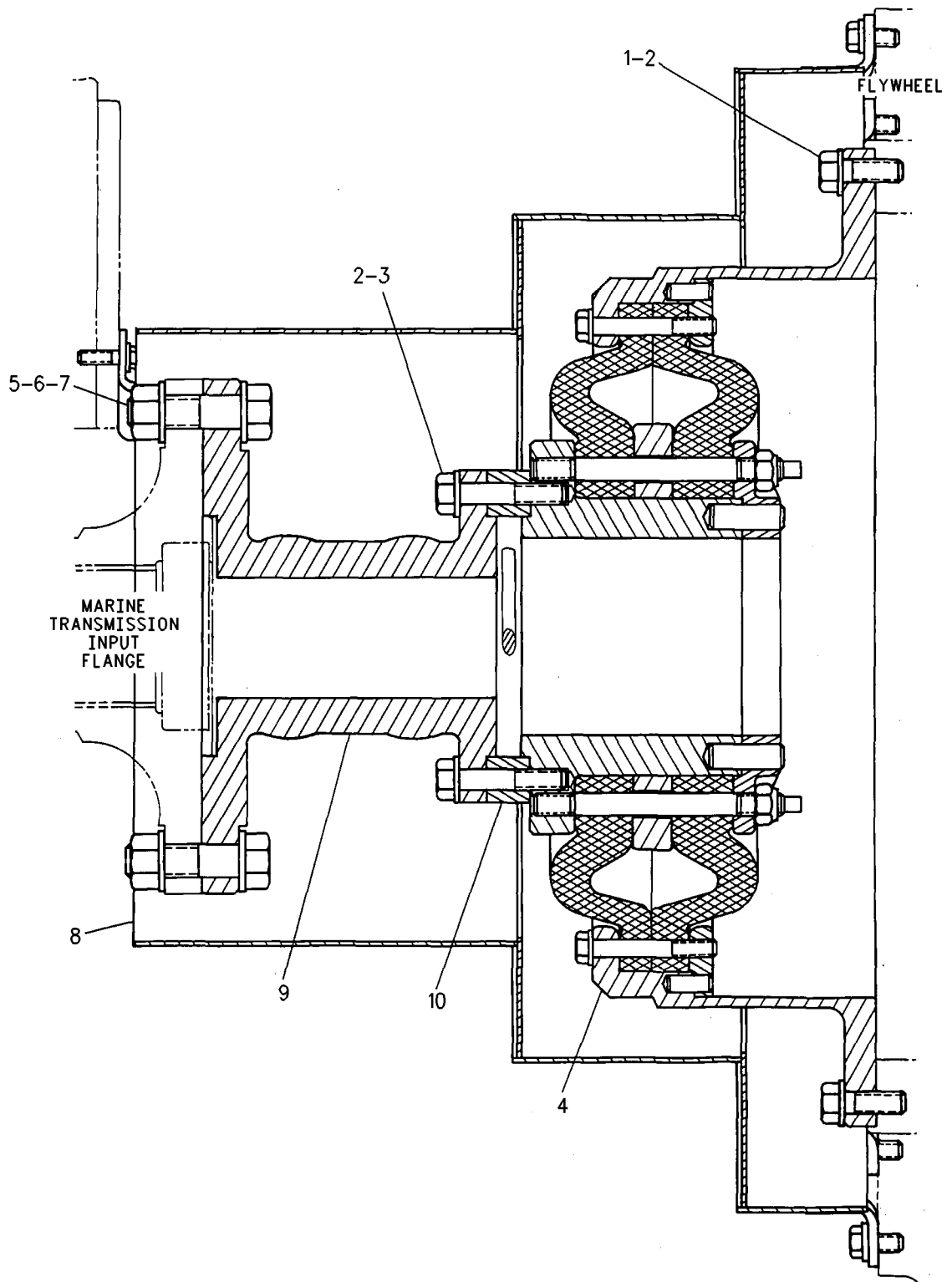
i01330087

NOTE	REF NO	GRAPHIC REF	PART NUMBER	QTY	PART NAME						SEE PAGE
					1	2	3	4	5	6 (PRODUCT LEVEL)	
	1	1	<b>0S-1589</b>	12	BOLT (5/8-11X1.75-IN)						
	2	1	<b>5P-8247</b>	24	WASHER-HARD (17X32X3.5-MM THK)						
	3	1	<b>1A-8537</b>	12	BOLT (5/8-11X2.75-IN)						
J	4	1	<b>4W-0765</b>	1	COUPLING GP						
	5	1	<b>1D-4628</b>	8	BOLT (7/8-9X3.25-IN)						
	6	1	<b>5P-8249</b>	16	WASHER-HARD (24X41.5X4-MM THK)						
	7	1	<b>2J-3505</b>	8	NUT-FULL (7/8-9-THD)						
CY	8	1	<i>7W-8105</i>	1	GUARD GP-COUPLING						280
	9	1	<b>4W-0758</b>	1	SHAFT AS-EXTENSION						
	10	1	<b>4W-0762</b>	1	SPACER AS-DISC						
		1	<b>4H-3283</b>	1	BOLT (3/8-16X9.5-IN)						
		1	<b>5M-2894</b>	2	WASHER-HARD (10.2X18.5X2.5-MM THK)						
		1	<b>9S-8752</b>	1	NUT-FULL (3/8-16-THD)						
AVAILABLE REPAIR KIT(S):											
J			<b>4W-0803</b>	1	ELEMENT AS (TORSIONAL FLEX COUPLING)						
(INCLUDES ONE PAIR COUPLING ELEMENTS)											
C - CHANGE FROM PREVIOUS TYPE											
J - KIT MARKED J AVAILABLE FOR PART MARKED J											
Y - SEPARATE ILLUSTRATION											

# BASIC ENGINE

4W-0756 COUPLING GP-FLEXIBLE (contd.)

101330087



GRAPHIC #1

<END>

g00703848

# BASIC ENGINE

## 4W-0757 COUPLING GP-FLEXIBLE

S/N: 66Z190-578

VULKAN EZ121S WITH TORSIONAL STOP

AN ATTACHMENT

TYPE 1

SMCS-3252

i01330204

NOTE	REF NO	GRAPHIC REF	PART NUMBER	QTY	PART NAME						SEE PAGE
					1	2	3	4	5	6	
	1	1	<b>0S-1589</b>	12	BOLT (5/8-11X1.75-IN)						
	2	1	<b>5P-8247</b>	24	WASHER-HARD (17X32X3.5-MM THK)						
	3	1	<b>1A-8537</b>	12	BOLT (5/8-11X2.75-IN)						
J	4	1	<b>4W-0766</b>	1	COUPLING GP						
	5	1	<b>1D-4628</b>	8	BOLT (7/8-9X3.25-IN)						
	6	1	<b>5P-8249</b>	16	WASHER-HARD (24X41.5X4-MM THK)						
	7	1	<b>2J-3505</b>	8	NUT-FULL (7/8-9-THD)						
Y	8	1	<i>2W-4856</i>	1	GUARD GP-COUPLING						279
	9	1	<b>4W-0758</b>	1	SHAFT AS-EXTENSION						
	10	1	<b>4W-0762</b>	1	SPACER AS-DISC						
		1	<b>4H-3283</b>	1	BOLT (3/8-16X9.5-IN)						
		1	<b>5M-2894</b>	2	WASHER-HARD (10.2X18.5X2.5-MM THK)						
		1	<b>9S-8752</b>	1	NUT-FULL (3/8-16-THD)						

AVAILABLE REPAIR KIT(S):

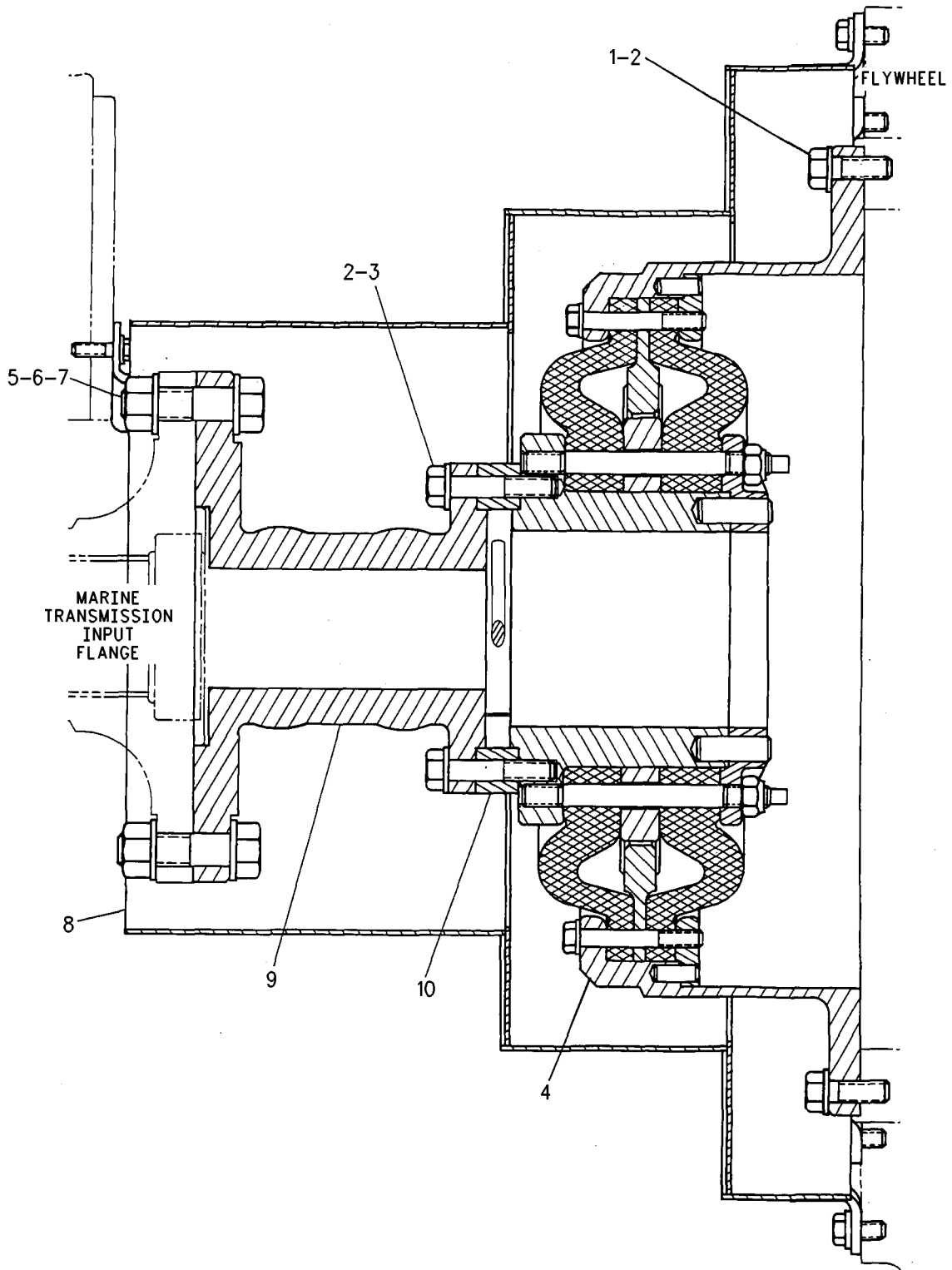
J			<b>4W-0803</b>	1	ELEMENT AS (TORSIONAL FLEX COUPLING)						
					(INCLUDES ONE PAIR COUPLING ELEMENTS)						

J - KIT MARKED J AVAILABLE FOR PART MARKED J  
 Y - SEPARATE ILLUSTRATION

# BASIC ENGINE

4W-0757 COUPLING GP-FLEXIBLE (contd.)

101330204



GRAPHIC #1

<END>

g00703918

# BASIC ENGINE

## 4W-0757 COUPLING GP-FLEXIBLE

S/N: 66Z190-578

VULKAN EZ121S WITH TORSIONAL STOP

AN ATTACHMENT

TYPE 2

SMCS-3252

i01330237

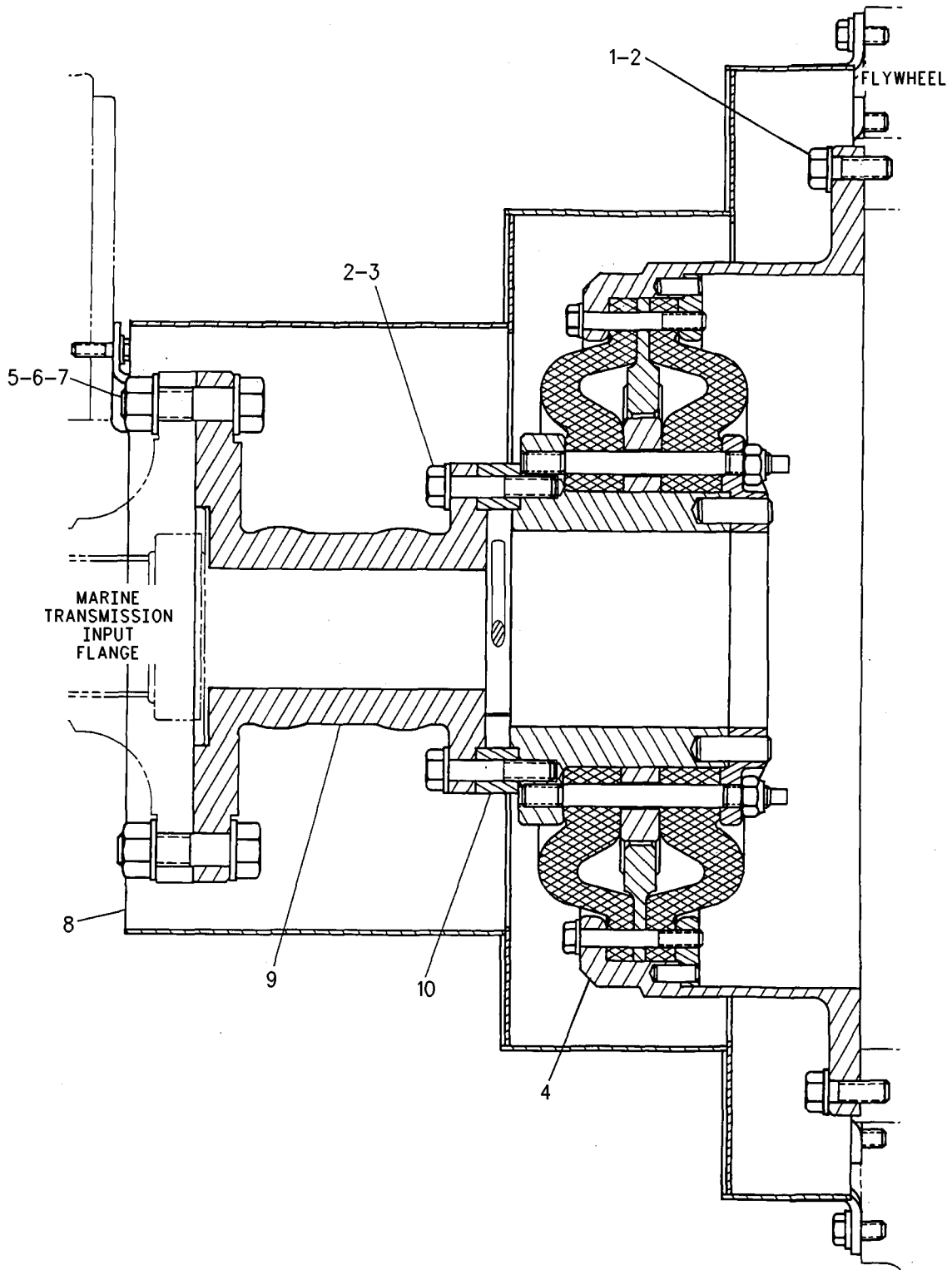
NOTE	REF NO	GRAPHIC REF	PART NUMBER	QTY	PART NAME						SEE PAGE
					1	2	3	4	5	6	
	1	1	<b>0S-1589</b>	12	BOLT (5/8-11X1.75-IN)						
	2	1	<b>5P-8247</b>	24	WASHER-HARD (17X32X3.5-MM THK)						
	3	1	<b>1A-8537</b>	12	BOLT (5/8-11X2.75-IN)						
J	4	1	<b>4W-0766</b>	1	COUPLING GP						
	5	1	<b>1D-4628</b>	8	BOLT (7/8-9X3.25-IN)						
	6	1	<b>5P-8249</b>	16	WASHER-HARD (24X41.5X4-MM THK)						
	7	1	<b>2J-3505</b>	8	NUT-FULL (7/8-9-THD)						
CY	8	1	<i>7W-8105</i>	1	GUARD GP-COUPLING						280
	9	1	<b>4W-0758</b>	1	SHAFT AS-EXTENSION						
	10	1	<b>4W-0762</b>	1	SPACER AS-DISC						
		1	<b>4H-3283</b>	1	BOLT (3/8-16X9.5-IN)						
		1	<b>5M-2894</b>	2	WASHER-HARD (10.2X18.5X2.5-MM THK)						
		1	<b>9S-8752</b>	1	NUT-FULL (3/8-16-THD)						
AVAILABLE REPAIR KIT(S):											
J			<b>4W-0803</b>	1	ELEMENT AS (TORSIONAL FLEX COUPLING)						
(INCLUDES ONE PAIR COUPLING ELEMENTS)											
C - CHANGE FROM PREVIOUS TYPE											
J - KIT MARKED J AVAILABLE FOR PART MARKED J											
Y - SEPARATE ILLUSTRATION											



# BASIC ENGINE

4W-0757 COUPLING GP-FLEXIBLE (contd.)

101330237



GRAPHIC #1

<END>

g00703918

# BASIC ENGINE

## 7C-8053 COUPLING GP-TORSIONAL

S/N: 50Y647-1304

AN ATTACHMENT

SMCS-3279

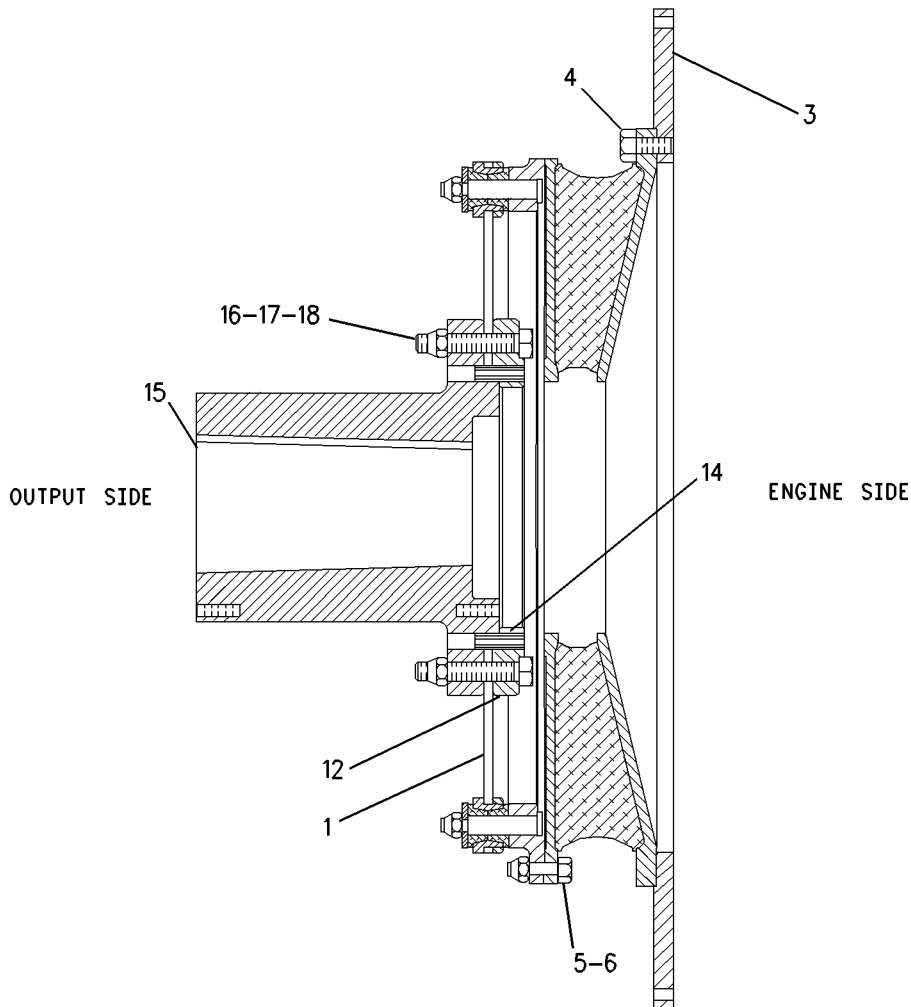
i01329361

NOTE	REF NO	GRAPHIC REF	PART NUMBER	QTY	PART NAME						SEE PAGE
					1	2	3	4	5	6 (PRODUCT LEVEL)	
	1	1	<b>6I-0335</b>	1	MEMBRANE AS						
	3	1	<b>7E-7401</b>	1	FLANGE						
	4	1	<b>7E-7410</b>	24	BOLT						
	5	1	<b>7E-7473</b>	18	BOLT						
	6	1	<b>7E-7429</b>	18	NUT						
	12	1	<b>7E-7484</b>	1	RING-CLAMP						
	14	1	<b>7E-7501</b>	8	DOWEL-DOUBLE SPRING						
	15	1	<b>7E-7436</b>	1	HUB						
	16	1	<b>7E-7424</b>	24	WASHER-SPRING						
	17	1	<b>7E-7426</b>	24	NUT						
	18	1	<b>7E-7435</b>	24	BOLT						

AVAILABLE REPAIR KIT(S) :

**7C-8468**    1    KIT-COUPLING

(INCLUDES 3 FLEXIBLE COUPLING SEGMENTS)



GRAPHIC #1

<END>

g00703481

# BASIC ENGINE

## 7C-8054 COUPLING GP-TORSIONAL

S/N: 50Y647-1304

AN ATTACHMENT

**SMCS-3279**

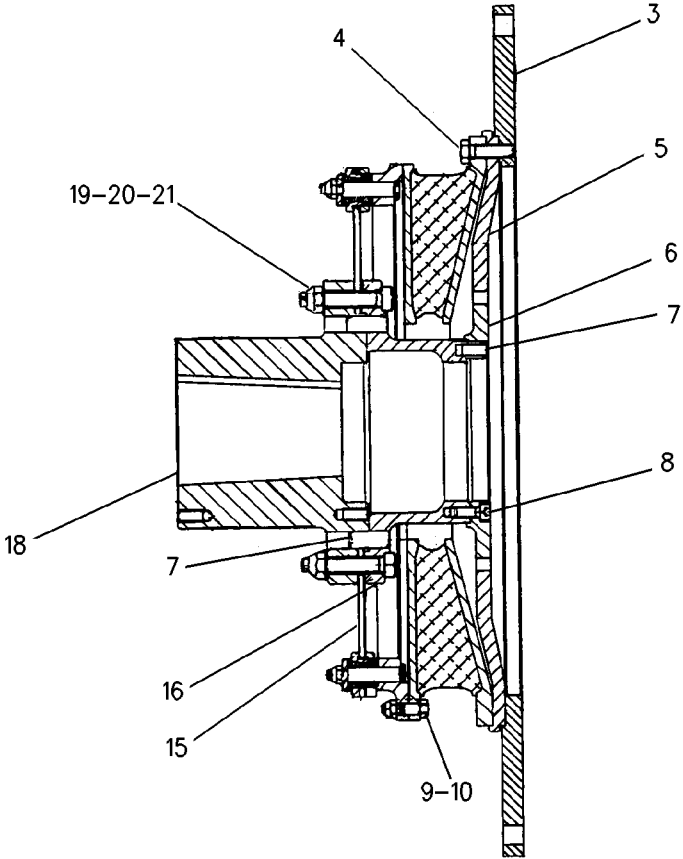
**i01329496**

NOTE	REF NO	GRAPHIC REF	PART NUMBER	QTY	PART NAME						SEE PAGE	
					1	2	3	4	5	6 (PRODUCT LEVEL)		
	3	1	<b>7E-7401</b>	1	FLANGE							
	4	1	<b>7E-7411</b>	24	BOLT							
	5	1	<b>7E-7475</b>	1	RING-CONNECTING							
	6	1	<b>7E-7474</b>	1	RING-PISTON							
	7	1	<b>7E-7501</b>	16	DOWEL-DOUBLE SPRING							
	8	1	<b>7E-7432</b>	6	SCREW-SOCKET HEAD							
	9	1	<b>7E-7473</b>	18	BOLT							
	10	1	<b>7E-7429</b>	18	NUT							
	15	1	<b>6I-0335</b>	1	MEMBRANE AS							
	16	1	<b>7E-7476</b>	1	RING-CLAMP							
	18	1	<b>7E-7436</b>	1	HUB							
	19	1	<b>7E-7426</b>	24	NUT							
	20	1	<b>7E-7424</b>	24	WASHER-SPRING							
	21	1	<b>7E-7435</b>	24	BOLT							
					AVAILABLE REPAIR KIT(S) :							
				<b>9Y-2851</b>	1	KIT-REPAIR						
					(INCLUDES ELEMENT SET, INNER & OUTER TORSIONAL STOP MEMBERS, BOLTS & DOWELS)							

# BASIC ENGINE

7C-8054 COUPLING GP-TORSIONAL (contd.)

i01329496



GRAPHIC #1

<END>

g00703593

# BASIC ENGINE

## 7C-8055 COUPLING GP-TORSIONAL

S/N: 50Y647-1304

AN ATTACHMENT

SMCS-3279

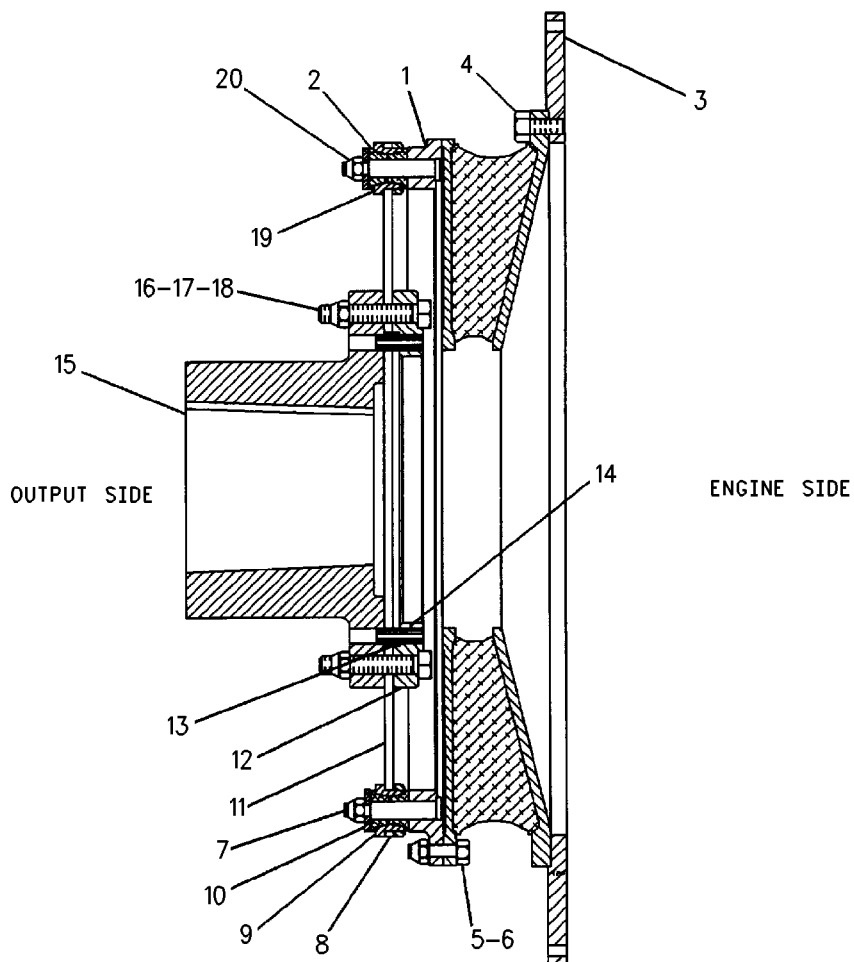
i01329652

NOTE	REF NO	GRAPHIC REF	PART NUMBER	QTY	PART NAME						SEE PAGE
					1	2	3	4	5	6 (PRODUCT LEVEL)	
	1	1	<b>7E-7483</b>	1	RING-CLAMP						
	2	1	<b>7E-7480</b>	1	NUT						
	3	1	<b>7E-7401</b>	1	FLANGE						
	4	1	<b>7E-7410</b>	1	BOLT						
	5	1	<b>7E-7473</b>	1	BOLT						
	6	1	<b>7E-7429</b>	1	NUT						
	7	1	<b>7E-7479</b>	1	BOLT						
	8	1	<b>7E-7478</b>	1	SHEET-DISTANCE						
	9	1	<b>7E-7503</b>	1	BUSHING-CONE						
	10	1	<b>7E-7472</b>	1	DISC						
	11	1	<b>7E-7482</b>	1	DIAPHRAGM						
	12	1	<b>7E-7484</b>	1	RING-CLAMP						
	13	1	<b>7E-7477</b>	1	SHEET-DISTANCE						
	14	1	<b>7E-7501</b>	1	DOWEL-DOUBLE SPRING						
	15	1	<b>7E-7400</b>	1	HUB						
	16	1	<b>7E-7424</b>	1	WASHER-SPRING						
	17	1	<b>7E-7426</b>	1	NUT						
	18	1	<b>7E-7435</b>	1	BOLT						
	19	1	<b>7E-7481</b>	1	BUSHING-COLLARED						
	20	1	<b>7E-7428</b>	1	NUT						
					AVAILABLE REPAIR KIT(S):						
			<b>7C-8468</b>	1	KIT-COUPLING						
					(INCLUDES 3 COUPLING SEGMENTS)						

# BASIC ENGINE

7C-8055 COUPLING GP-TORSIONAL (contd.)

i01329652



GRAPHIC #1

<END>

g00703581

# BASIC ENGINE

## 7C-8460 COUPLING GP-TORSIONAL AN ATTACHMENT

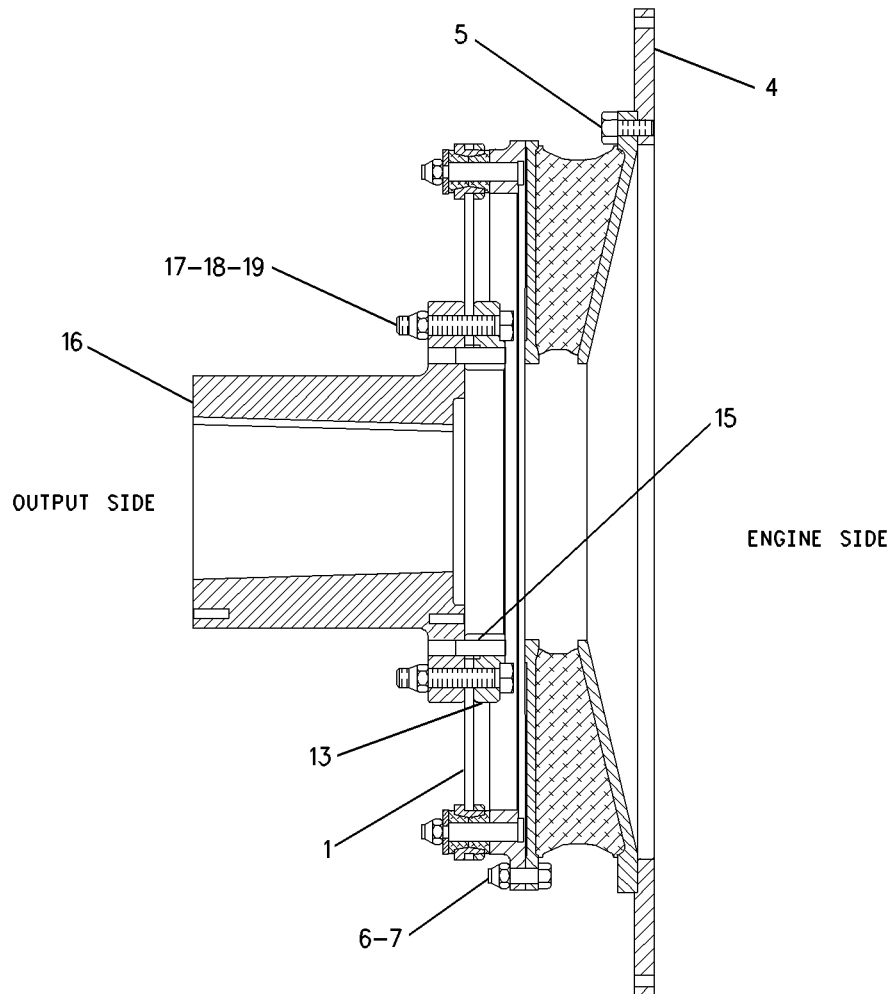
SMCS-3279

i01330267

NOTE	REF NO	GRAPHIC REF	PART NUMBER	QTY	PART NAME						SEE PAGE
					1	2	3	4	5	6 (PRODUCT LEVEL)	
	1	1	<b>6I-0336</b>	1	MEMBRANE AS						
	4	1	<b>7E-7470</b>	1	FLANGE						
	5	1	<b>7E-7412</b>	24	BOLT						
	6	1	<b>7E-7473</b>	18	BOLT						
	7	1	<b>7E-7429</b>	18	NUT						
	13	1	<b>7E-7469</b>	1	RING-CLAMP						
	15	1	<b>7E-7499</b>	8	DOWEL-DOUBLE SPRING						
	16	1	<b>7E-7402</b>	1	HUB						
	17	1	<b>7E-7423</b>	24	WASHER-SPRING						
	18	1	<b>7E-7425</b>	24	NUT						
	19	1	<b>7E-7434</b>	24	BOLT						

AVAILABLE REPAIR KIT(S) :

<b>9Y-0727</b>	1	KIT-COUPLING (INCLUDES 3 FLEXIBLE COUPLING SEGMENTS)
----------------	---	---



GRAPHIC #1

<END>

g00703973

# BASIC ENGINE

## 7C-8461 COUPLING GP-TORSIONAL AN ATTACHMENT

**SMCS-3279**

**i01339246**

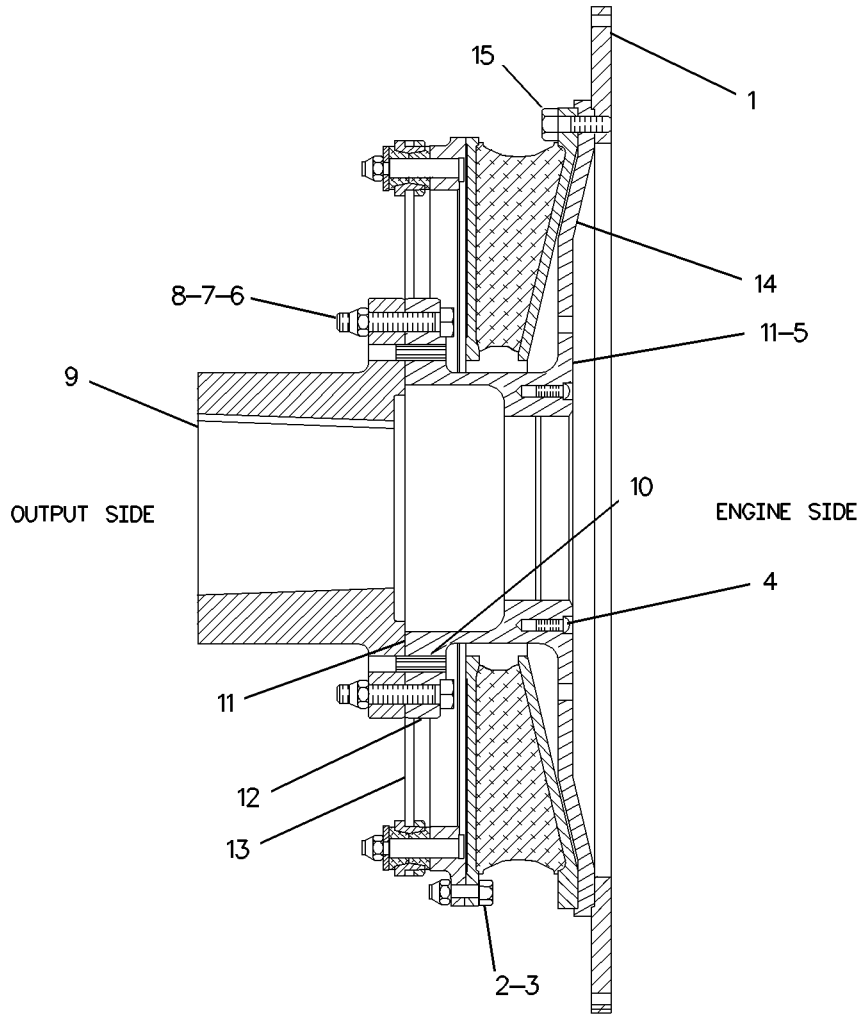
NOTE	REF NO	GRAPHIC REF	PART NUMBER	QTY	PART NAME						SEE PAGE
					1	2	3	4	5	6	
	1	1	<b>7E-7470</b>	1	FLANGE						
	2	1	<b>7E-7429</b>	18	NUT						
	3	1	<b>7E-7473</b>	18	BOLT						
	4	1	<b>7E-7431</b>	6	SCREW-SOCKET HEAD						
	5	1	<b>7E-7497</b>	8	DOWEL-DOUBLE SPRING						
	6	1	<b>7E-7434</b>	24	BOLT						
	7	1	<b>7E-7425</b>	24	NUT						
	8	1	<b>7E-7423</b>	24	WASHER-SPRING						
	9	1	<b>7E-7402</b>	1	HUB						
	10	1	<b>7E-7499</b>	8	DOWEL-DOUBLE SPRING						
	11	1	<b>7E-7463</b>	1	RING-PISTON						
	12	1	<b>7E-7465</b>	1	RING-CLAMP						
	13	1	<b>6I-0336</b>	1	MEMBRANE AS						
	14	1	<b>7E-7464</b>	1	RING-CONNECTING						
	15	1	<b>7E-7414</b>	24	BOLT						
					AVAILABLE REPAIR KIT(S):						
			<b>9Y-2852</b>	1	KIT-REPAIR						
					(KIT INCLUDES ELEMENT SET, INNER & OUTER TORSIONAL STOP MEMBER, BOLTS & DOWEL)						



# BASIC ENGINE

7C-8461 COUPLING GP-TORSIONAL (contd.)

101339246



GRAPHIC #1

<END>

g00708349

# BASIC ENGINE

## 7C-8469 COUPLING GP-TORSIONAL

S/N: 50Y647-1304

AN ATTACHMENT

SMCS-3279

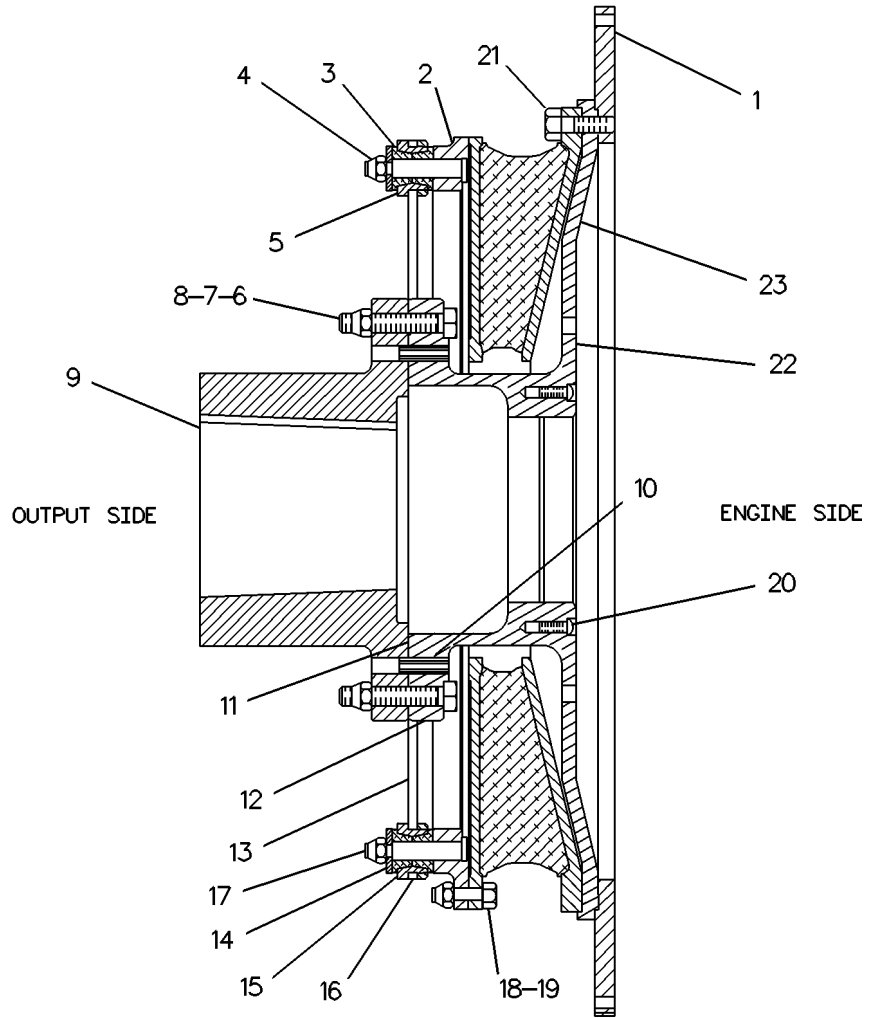
i00941253

NOTE	REF NO	GRAPHIC REF	PART NUMBER	QTY	PART NAME						SEE PAGE
					1	2	3	4	5	6	
	1	1	<b>7E-7401</b>	1	FLANGE						
	2	1	<b>7E-7483</b>	1	RING-CLAMP						
	3	1	<b>7E-7480</b>	1	NUT						
	4	1	<b>7E-7428</b>	1	NUT						
	5	1	<b>7E-7481</b>	1	BUSHING-COLLARED						
	6	1	<b>7E-7435</b>	1	BOLT						
	7	1	<b>7E-7426</b>	1	NUT						
	8	1	<b>7E-7424</b>	1	WASHER-SPRING						
	9	1	<b>7E-7400</b>	1	HUB						
	10	1	<b>7E-7501</b>	2	DOWEL-DOUBLE SPRING						
	11	1	<b>7E-7477</b>	1	SHEET-DISTANCE						
	12	1	<b>7E-7476</b>	1	RING-CLAMP						
	13	1	<b>7E-7482</b>	1	DIAPHRAGM						
	14	1	<b>7E-7472</b>	1	DISC						
	15	1	<b>7E-7503</b>	1	BUSHING-CONE						
	16	1	<b>7E-7478</b>	1	SHEET-DISTANCE						
	17	1	<b>7E-7479</b>	1	BOLT						
	18	1	<b>7E-7429</b>	1	NUT						
	19	1	<b>7E-7473</b>	1	BOLT						
	20	1	<b>7E-7432</b>	1	SCREW-SOCKET HEAD						
	21	1	<b>7E-7411</b>	1	BOLT						
	22	1	<b>7E-7474</b>	1	RING-PISTON						
	23	1	<b>7E-7475</b>	1	RING-CONNECTING						
					AVAILABLE REPAIR KIT(S) :						
			<b>9Y-2851</b>	1	KIT-REPAIR						
					(CONSISTS OF: ELEMENT SET, INNER & OUTER TORSIONAL STOP MEMBER, BOLTS, DOWEL)						

# BASIC ENGINE

7C-8469 COUPLING GP-TORSIONAL (contd.)

i00941253



GRAPHIC #1

<END>

g00218756

# BASIC ENGINE

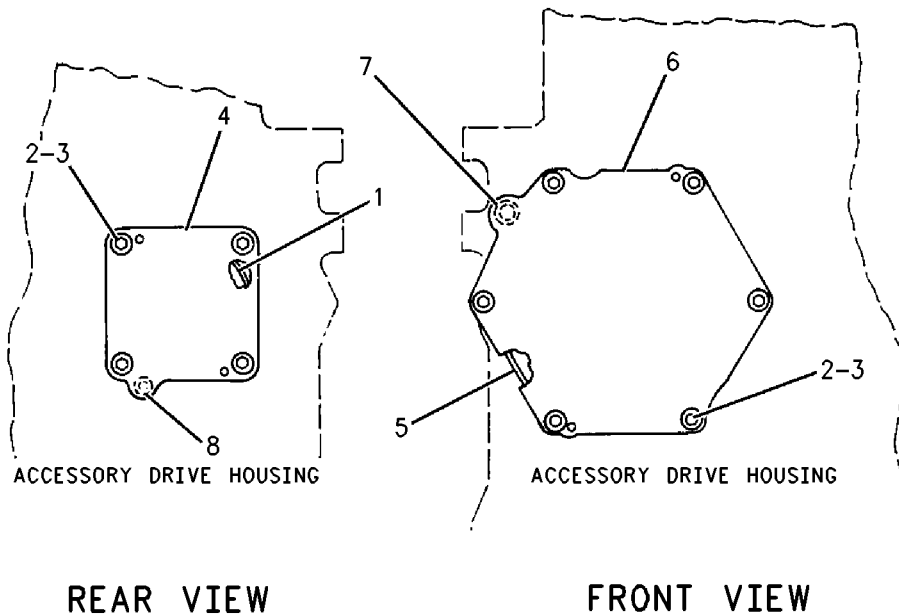
## 8N-4263 COVER GP-ACCESSORY DRIVE-RH

PART OF 1W-5021, 2W-8583, 7W-3332, 8N-6477 GOVERNOR GP  
AN ATTACHMENT

SMCS-1207

i03845512

NOTE	REF NO	GRAPHIC REF	PART NUMBER	QTY	PART NAME						SEE PAGE
					1	2	3	4	5	6 (PRODUCT LEVEL)	
	1	1	<b>259-4598</b>	1	SEAL-O-RING						
	2	1	<b>1A-2029</b>	10	BOLT (3/8-16X1.125-IN)						
	3	1	<b>5M-2894</b>	10	WASHER-HARD (10.2X18.5X2.5-MM THK)						
	4	1	<b>7N-4952</b>	1	COVER						
	5	1	<b>235-3546</b>	1	SEAL-O-RING						
	6	1	<b>7N-4951</b>	1	COVER						
	7	1	<b>6V-3348</b>	1	SEAL-O-RING						
	8	1	<b>5P-0840</b>	1	SEAL-O-RING						



GRAPHIC #1

<END>

g01034827

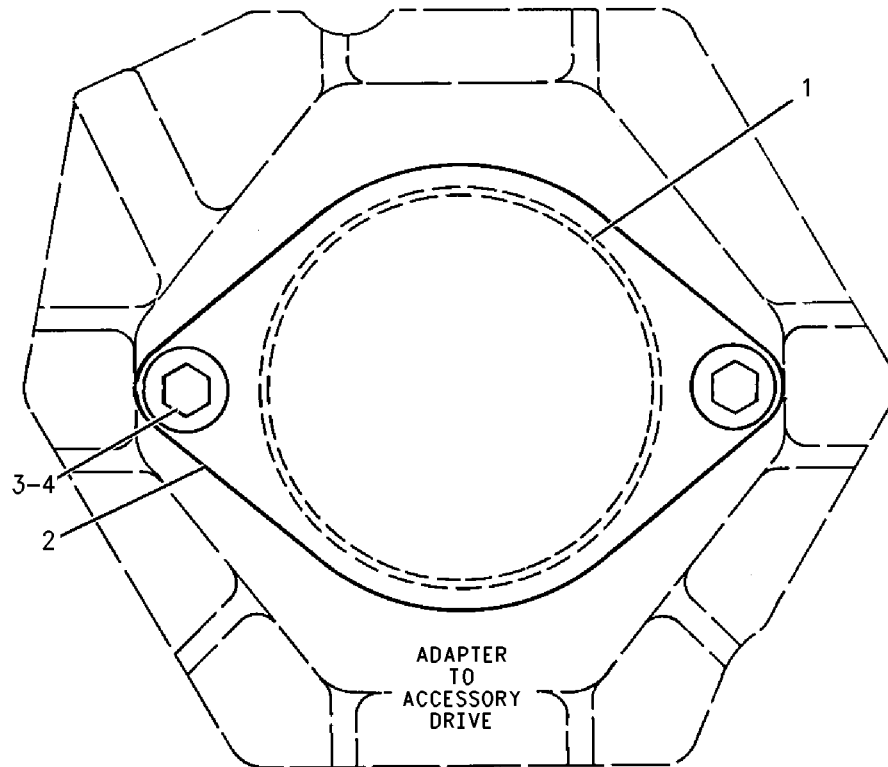
# BASIC ENGINE

## 8N-4266 COVER GP-ACCESSORY DRIVE-RH PART OF 1W-5017, 2W-8585, 7W-3333, 8N-6722 GOVERNOR GP AN ATTACHMENT

SMCS-1207

i01964759

NOTE	REF NO	GRAPHIC REF	PART NUMBER	QTY	PART NAME						SEE PAGE
					1	2	3	4	5	6 (PRODUCT LEVEL)	
	1	1	<b>9X-7371</b>	1	SEAL-O-RING						
	2	1	<b>7N-8374</b>	1	COVER-PUMP						
	3	1	<b>0S-1592</b>	2	BOLT (5/8-11X1.25-IN)						
	4	1	<b>5P-8247</b>	2	WASHER-HARD (17X32X3.5-MM THK)						



GRAPHIC #1

<END>

g00696063

# BASIC ENGINE

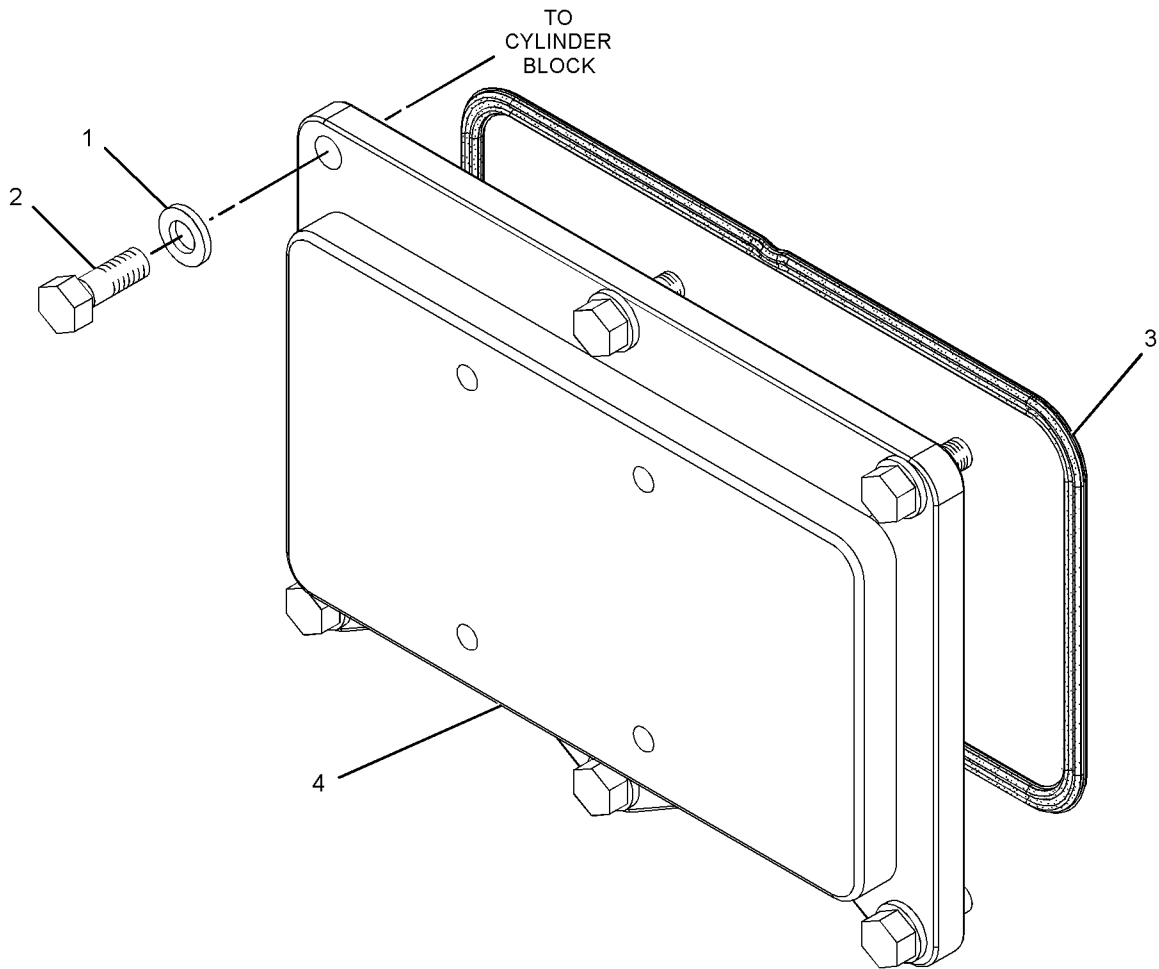
## 155-2564 COVER GP-CAMSHAFT

**CHROME PLATED  
AN ATTACHMENT**

**SMCS-1210**

**i02625637**

NOTE	REF NO	GRAPHIC REF	PART NUMBER	QTY	PART NAME						SEE PAGE
					1	2	3	4	5	6 (PRODUCT LEVEL)	
	1	1	<b>133-6261</b>	6	WASHER (10.2X18.5X2.5-MM THK)						
	2	1	<b>133-6269</b>	6	BOLT (3/8-16X1-IN)						
	3	1	<b>272-0758</b>	1	SEAL						
	4	1	<b>155-2573</b>	1	COVER-CAMSHAFT						



GRAPHIC #1

<END>

g01317508

# BASIC ENGINE

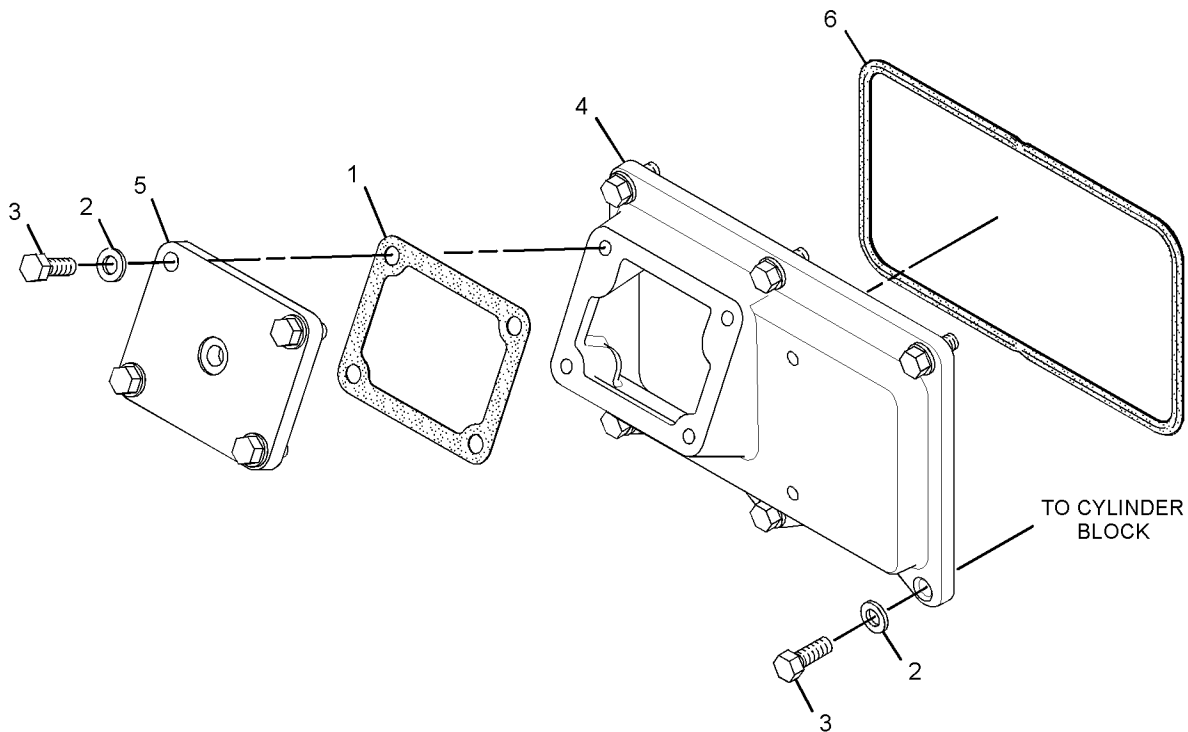
## 155-2583 COVER GP-CAMSHAFT

**CHROME PLATED  
AN ATTACHMENT**

**SMCS-1210**

**i02625635**

NOTE	REF NO	GRAPHIC REF	PART NUMBER	QTY	PART NAME						SEE PAGE
					1	2	3	4	5	6	
	1	1	<b>2W-0752</b>	1	GASKET						
	2	1	<b>133-6261</b>	10	WASHER (10.2X18.5X2.5-MM THK)						
	3	1	<b>133-6269</b>	10	BOLT (3/8-16X1-IN)						
	4	1	<b>155-2574</b>	1	COVER-CAMSHAFT						
	5	1	<b>222-4059</b>	1	COVER (SENSOR)						
	6	1	<b>272-0758</b>	1	SEAL						



GRAPHIC #1

<END>

g01317336

# BASIC ENGINE

## 121-3555 COVER GP-CYLINDER BLOCK

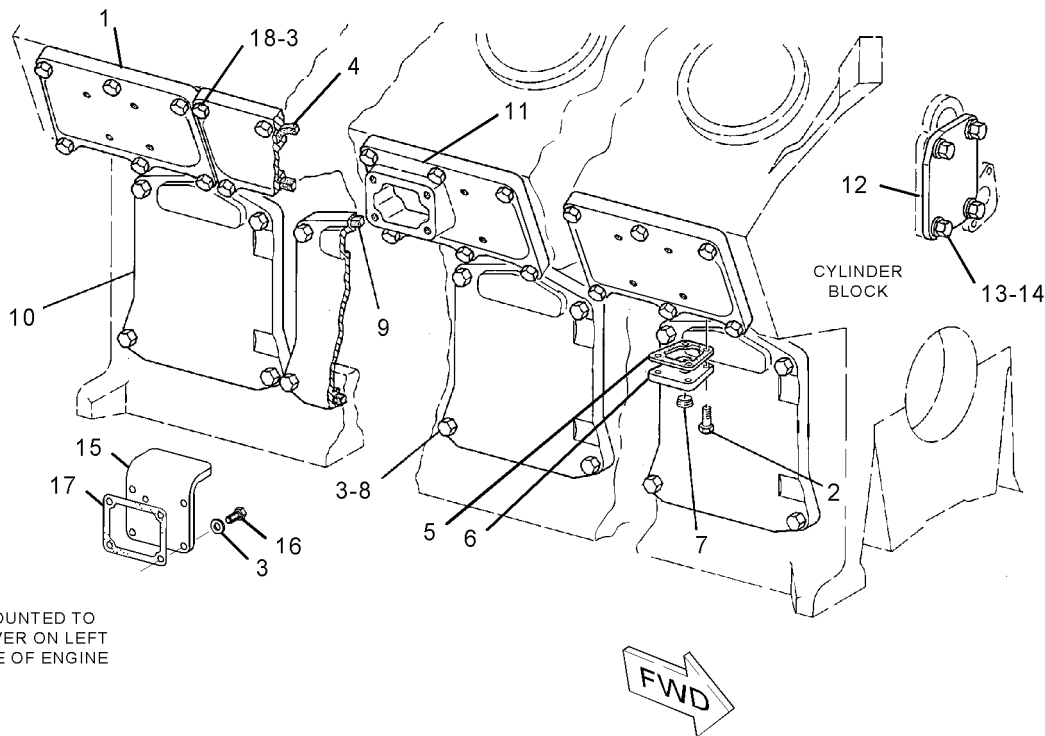
S/N: 50Y647-1304

PART OF 376-4849 ENGINE AR-COMplete

SMCS-1201

i03657705

NOTE	REF NO	GRAPHIC REF	PART NUMBER	QTY	PART NAME						SEE PAGE
					1	2	3	4	5	6 (PRODUCT LEVEL)	
	1	1	<b>8N-9992</b>	10	COVER-CAMSHAFT						
	2	1	<b>0S-1594</b>	12	BOLT (3/8-16X1-IN)						
	3	1	<b>5M-2894</b>	124	WASHER-HARD (10.2X18.5X2.5-MM THK)						
	4	1	<b>272-0758</b>	12	SEAL						
	5	1	<b>7N-4945</b>	3	GASKET						
	6	1	<b>7N-3298</b>	3	COVER-BLOCK						
	7	1	<b>8T-6761</b>	3	PLUG-PIPE (1-11-1/2 NPT THD)						
	8	1	<b>9X-8872</b>	48	BOLT-LOCKING (3/8-16X0.875-IN)						
	9	1	<b>272-0759</b>	12	SEAL						
	10	1	<b>1N-2914</b>	12	COVER-CYLINDER BLOCK SIDE						
	11	1	<b>8N-9993</b>	2	COVER-CAMSHAFT						
	12	1	<b>4W-5015</b>	1	COVER						
	13	1	<b>0S-1595</b>	4	BOLT (1/2-13X1.25-IN)						
	14	1	<b>5P-8245</b>	4	WASHER-HARD (13.5X25.5X3-MM THK)						
	15	1	<b>117-0066</b>	1	BRACKET-MOUNTING						
	16	1	<b>0S-1588</b>	4	BOLT (3/8-16X1.25-IN)						
	17	1	<b>2W-0752</b>	1	GASKET						
	18	1	<b>1A-2029</b>	72	BOLT (3/8-16X1.125-IN)						



GRAPHIC #1

<END>

g01066621



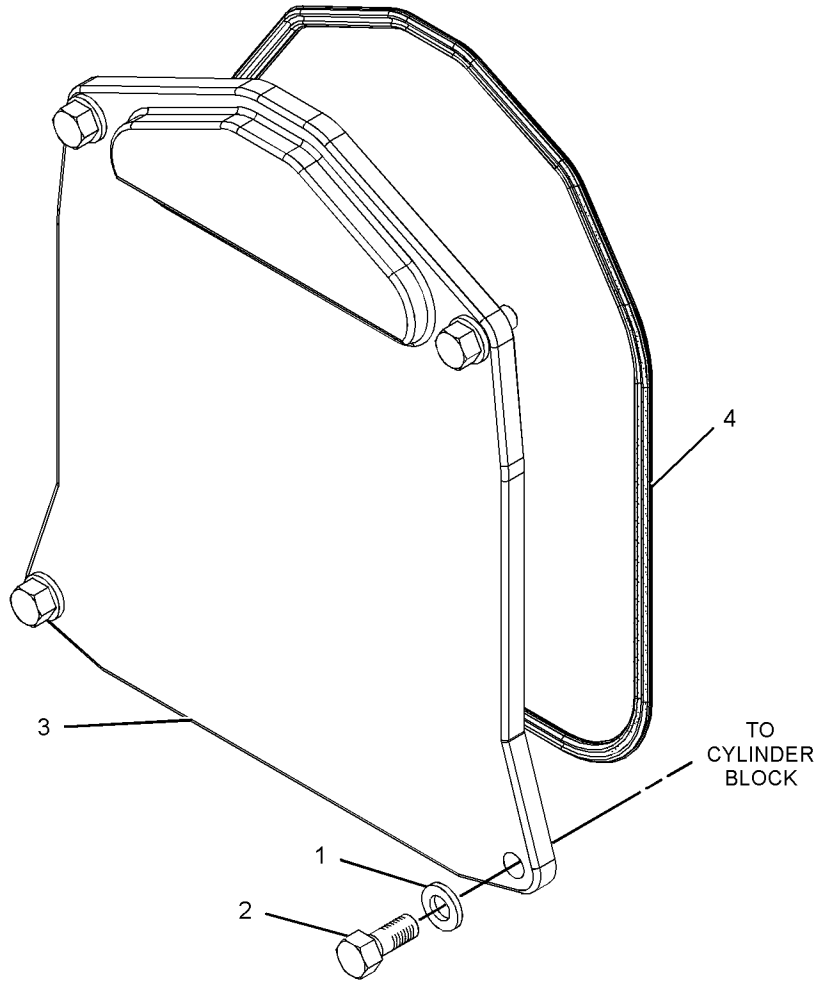
# BASIC ENGINE

## 155-2563 COVER GP-CYLINDER BLOCK-CRANKCASE CHROME PLATED AN ATTACHMENT

SMCS-1201

i02625634

NOTE	REF NO	GRAPHIC REF	PART NUMBER	QTY	PART NAME						SEE PAGE
					1	2	3	4	5	6 (PRODUCT LEVEL)	
	1	1	<b>133-6261</b>	4	WASHER (10.2X18.5X2.5-MM THK)						
	2	1	<b>133-6268</b>	4	BOLT (3/8-16X1-IN)						
	3	1	<b>155-2575</b>	1	COVER						
	4	1	<b>272-0759</b>	1	SEAL						



GRAPHIC #1

<END>

g01317501

# BASIC ENGINE

## 271-7761 COVER GP-CYLINDER BLOCK-CENTRAL STRUCTURE

S/N: 50Y647-1304

PART OF 357-0858 ENGINE AR-COMPLETE

SMCS-1201

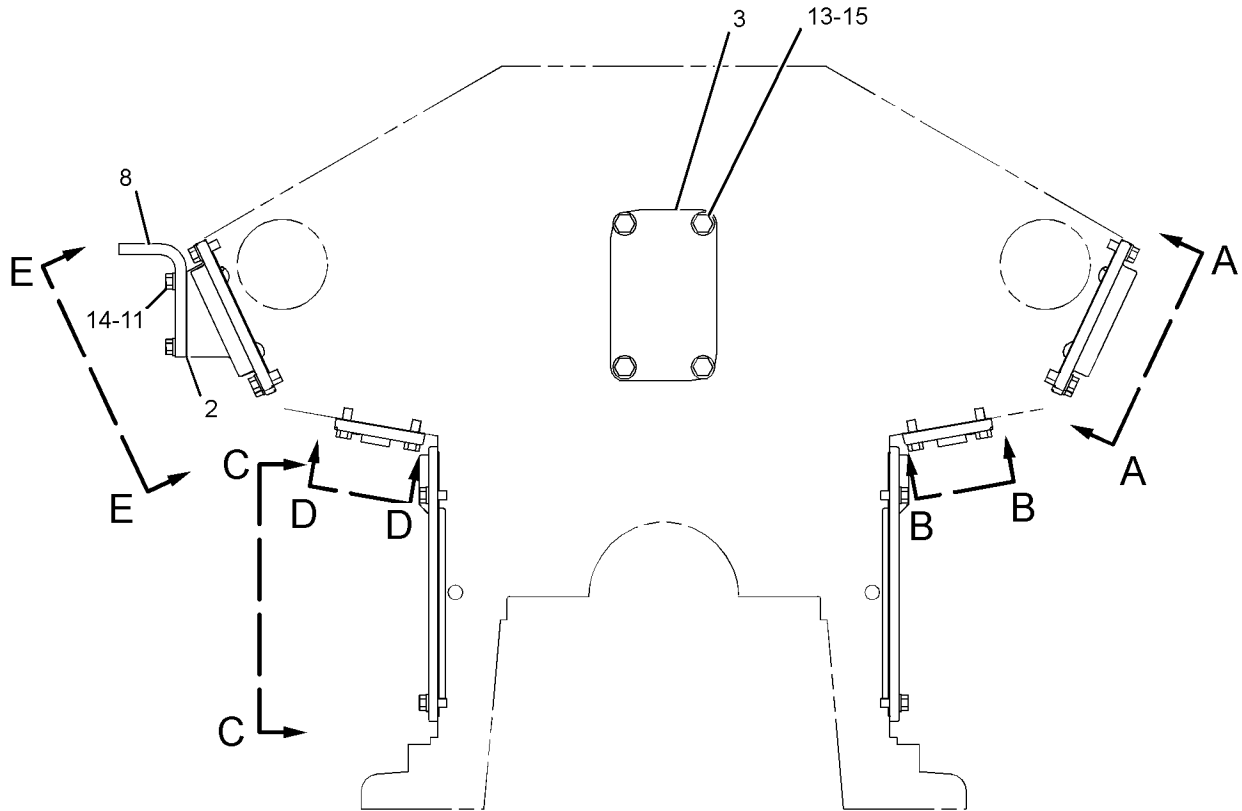
i06302470

NOTE	REF NO	GRAPHIC REF	PART NUMBER	QTY	PART NAME						SEE PAGE
					1	2	3	4	5	6 (PRODUCT LEVEL)	
	1	1	<b>1N-2914</b>	12	COVER-CYLINDER BLOCK SIDE						
	2	1	<b>2W-0752</b>	1	GASKET						
	3	1	<b>4W-5015</b>	1	COVER						
	4	1	<b>7N-3298</b>	3	COVER-BLOCK						
	5	1	<b>7N-4945</b>	3	GASKET						
	6	1	<b>8N-9992</b>	11	COVER-CAMSHAFT						
	7	1	<b>8N-9993</b>	1	COVER-CAMSHAFT						
	8	1	<b>117-0066</b>	1	BRACKET-MOUNTING						
	9	1	<b>272-0758</b>	12	SEAL						
	10	1	<b>272-0759</b>	12	SEAL						
	11	1	<b>0S-1588</b>	4	BOLT (3/8-16X1.25-IN)						
	12	1	<b>0S-1594</b>	12	BOLT (3/8-16X1-IN)						
	13	1	<b>0S-1595</b>	4	BOLT (1/2-13X1.25-IN)						
	14	1	<b>5M-2894</b>	124	WASHER-HARD (10.2X18.5X2.5-MM THK)						
	15	1	<b>5P-8245</b>	4	WASHER-HARD (13.5X25.5X3-MM THK)						
	16	1	<b>8T-6761</b>	3	PLUG-PIPE (1-11-1/2 NPT THD)						
	17	1	<b>9X-8872</b>	48	BOLT-LOCKING (3/8-16X0.875-IN)						
	18	1	<b>1A-2029</b>	72	BOLT (3/8-16X1.125-IN)						

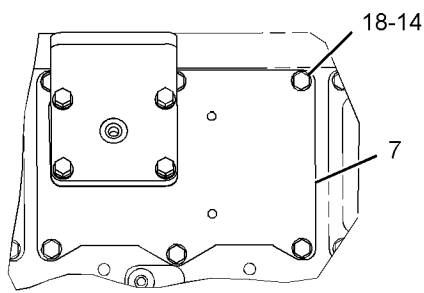
# BASIC ENGINE

271-7761 COVER GP-CYLINDER BLOCK (contd.)

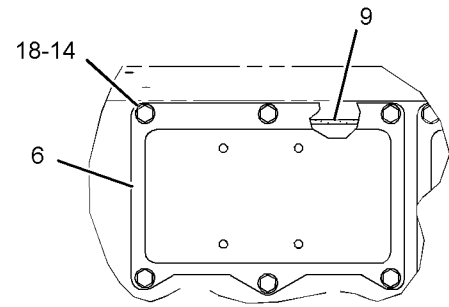
i06302470



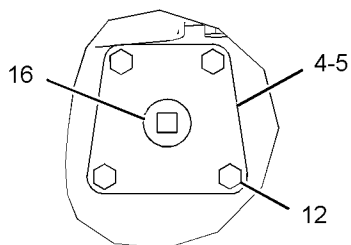
FRONT VIEW



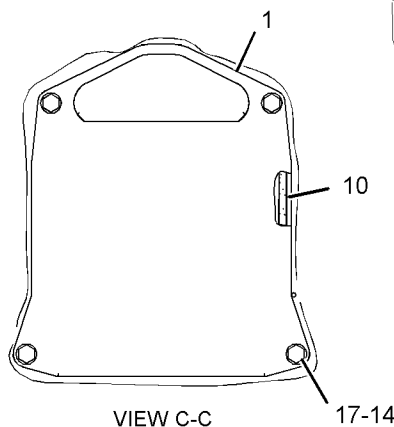
VIEW E-E



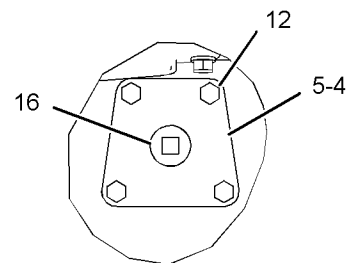
VIEW A-A



VIEW D-D



VIEW C-C



VIEW B-B

GRAPHIC #1

<END>

g01191824

# BASIC ENGINE

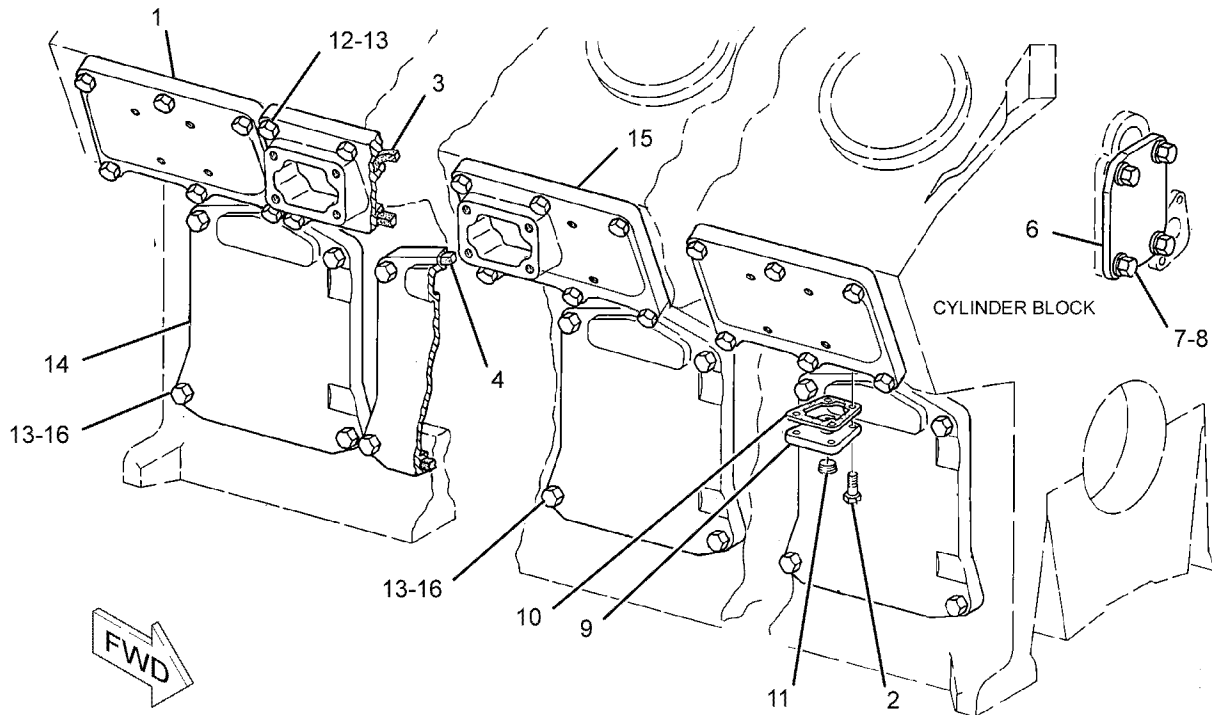
## 8N-9640 COVER GP-CYLINDER BLOCK-CENTRAL STRUCTURE

SMCS-1201

i02656866

NOTE	REF NO	GRAPHIC REF	PART NUMBER	QTY	PART NAME						SEE PAGE
					1	2	3	4	5	6	
	1	1	<b>8N-9992</b>	11	COVER-CAMSHAFT						
	2	1	<b>0S-1594</b>	12	BOLT (3/8-16X1-IN)						
	3	1	<b>272-0758</b>	12	SEAL						
	4	1	<b>272-0759</b>	12	SEAL						
C	6	1	<b>4W-5015</b>	1	COVER						
	7	1	<b>0S-1595</b>	4	BOLT (1/2-13X1.25-IN)						
	8	1	<b>5P-8245</b>	4	WASHER-HARD (13.5X25.5X3-MM THK)						
	9	1	<b>7N-3298</b>	3	COVER-BLOCK						
	10	1	<b>7N-4945</b>	3	GASKET						
	11	1	<b>8T-6761</b>	3	PLUG-PIPE (1-11-1/2 NPT THD)						
	12	1	<b>1A-2029</b>	72	BOLT (3/8-16X1.125-IN)						
	13	1	<b>5M-2894</b>	120	WASHER-HARD (10.2X18.5X2.5-MM THK)						
	14	1	<b>1N-2914</b>	12	COVER-CYLINDER BLOCK SIDE						
	15	1	<b>8N-9993</b>	1	COVER-CAMSHAFT						
	16	1	<b>9X-8872</b>	48	BOLT-LOCKING (3/8-16X0.875-IN)						

C - CHANGE FROM PREVIOUS TYPE



GRAPHIC #1

<END>

g01056289

# BASIC ENGINE

## 287-3046 COVER GP-FLYWHEEL HOUSING-REAR

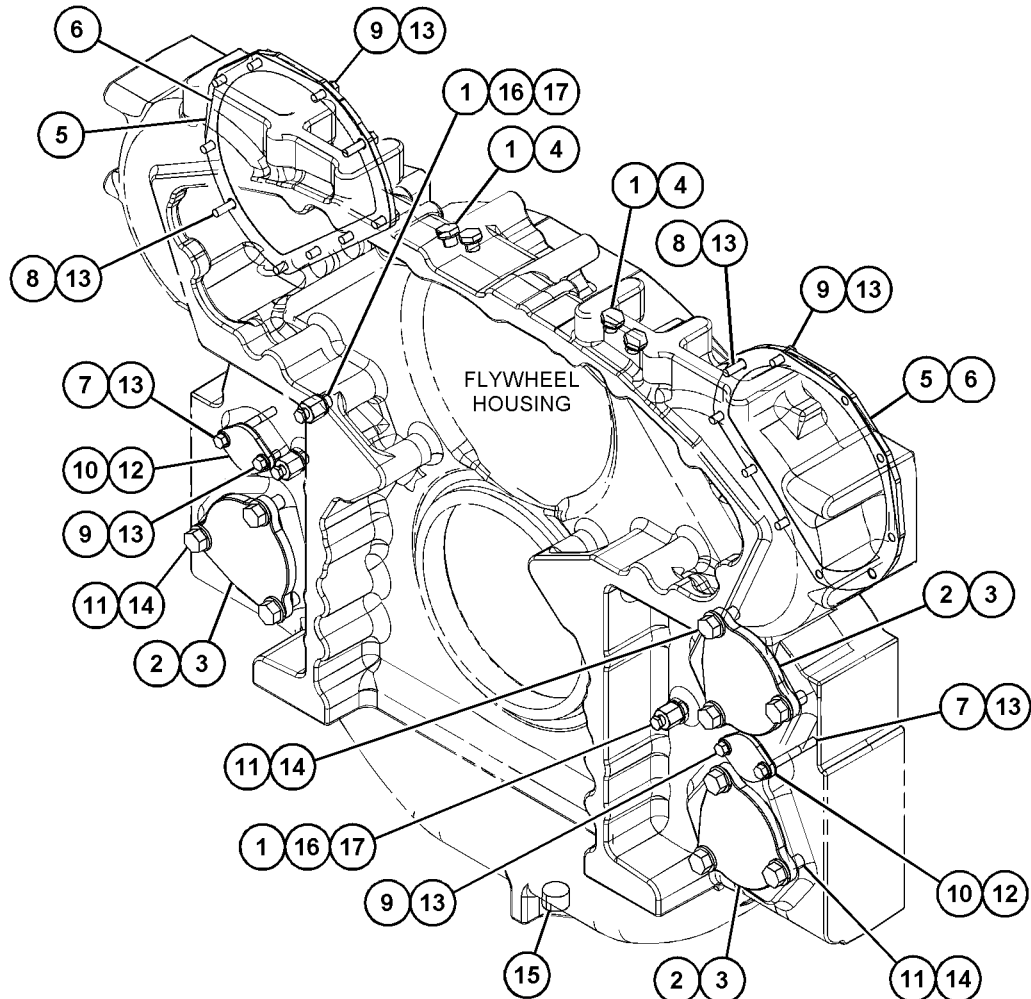
S/N: 50Y647-1304

PART OF 357-0858 ENGINE AR-COMplete

SMCS-1157

i06694028

NOTE	REF NO	GRAPHIC REF	PART NUMBER	QTY	PART NAME						SEE PAGE
					1	2	3	4	5	6	
	1	1	<b>4B-8407</b>	7	GASKET - COPPER						
	2	1	<b>4H-7869</b>	3	GASKET						
	3	1	<b>4N-1114</b>	3	COVER						
	4	1	<b>5F-0304</b>	4	PLUG						
	5	1	<b>7N-4319</b>	2	COVER						
	6	1	<b>7N-4320</b>	2	GASKET						
	7	1	<b>0L-1352</b>	2	BOLT (3/8-16X3.25-IN)						
	8	1	<b>165-3929</b>	3	BOLT (3/8-16X1.5-IN)						
	9	1	<b>0S-1594</b>	14	BOLT (3/8-16X1-IN)						
	10	1	<b>2P-2772</b>	2	COVER						
	11	1	<b>4B-4043</b>	9	BOLT (5/8-11X1.375-IN)						
	12	1	<b>234-8937</b>	2	SEAL - INTEGRAL						
	13	1	<b>5M-2894</b>	19	WASHER-HARD (10.2X18.5X2.5-MM THK)						
	14	1	<b>5P-8247</b>	9	WASHER-HARD (17X32X3.5-MM THK)						
	15	1	<b>8T-6761</b>	1	PLUG-PIPE (1-11-1/2 NPT THD)						
	16	1	<b>8T-6765</b>	3	PLUG-PIPE (1/4-18-THD)						
	17	1	<b>104-4767</b>	3	ADAPTER						



GRAPHIC #1

<END>

g06088080

# BASIC ENGINE

## 4W-1528 COVER GP-FLYWHEEL HOUSING

FOR USE WITH SAE 0 FLYWHEEL HOUSING  
AN ATTACHMENT

SMCS-1157

i07308006

NOTE	REF NO	GRAPHIC REF	PART NUMBER	QTY	PART NAME						SEE PAGE
					1	2	3	4	5	6 (PRODUCT LEVEL)	
	1	1	<b>2P-2772</b>	1	COVER						
	2	1	<b>4B-8407</b>	1	GASKET-COPPER						
	3	1	<b>4H-7869</b>	3	GASKET						
	4	1	<b>4N-1114</b>	3	COVER						
	5	1	<b>5F-0304</b>	1	PLUG						
	6	1	<b>7N-4319</b>	2	COVER						
	7	1	<b>7N-4320</b>	2	GASKET						
	8	1	<b>8N-9211</b>	1	COVER AS-FLYWHEEL HOUSING						
	8A	1	<b>6H-3609</b>	12	BOSS						
	9	1	<b>9S-1343</b>	1	PLUG-CUP						
	10	1	<b>234-8937</b>	1	SEAL-INTEGRAL						
	11	1	<b>0L-1352</b>	1	BOLT (3/8-16X3.25-IN)						
	12	1	<b>165-3929</b>	3	BOLT (3/8-16X1.5-IN)						
	13	1	<b>0S-1594</b>	36	BOLT (3/8-16X1-IN)						
	14	1	<b>2J-6274</b>	1	SEAL-O-RING						
	15	1	<b>4B-4043</b>	9	BOLT (5/8-11X1.375-IN)						
	16	1	<b>5M-2894</b>	40	WASHER-HARD (10.2X18.5X2.5-MM THK)						
	17	1	<b>5P-8247</b>	9	WASHER-HARD (17X32X3.5-MM THK)						
	18	1	<b>8T-6761</b>	1	PLUG-PIPE (1-11-1/2 NPT THD)						
BJ	20	1	<b>7N-6921</b>	1	COVER-FLYWHEEL HOUSING						
BJ	21	1	<b>395-3499</b>	8	CLIP						
BJ	22	1	<b>5P-8245</b>	8	WASHER-HARD (13.5X25.5X3-MM THK)						
BJ	23	1	<b>6H-1717</b>	8	BOLT (1/2-13X1.125-IN)						
B	24	1	<b>4B-8407</b>	1	GASKET-COPPER						
B	25	1	<b>5F-0304</b>	1	PLUG						
B	26	1	<b>4B-8407</b>	1	GASKET-COPPER						
B	27	1	<b>5F-0304</b>	1	PLUG						
B	28	1	<b>4B-8407</b>	1	GASKET-COPPER						
B	29	1	<b>5F-0304</b>	1	PLUG						

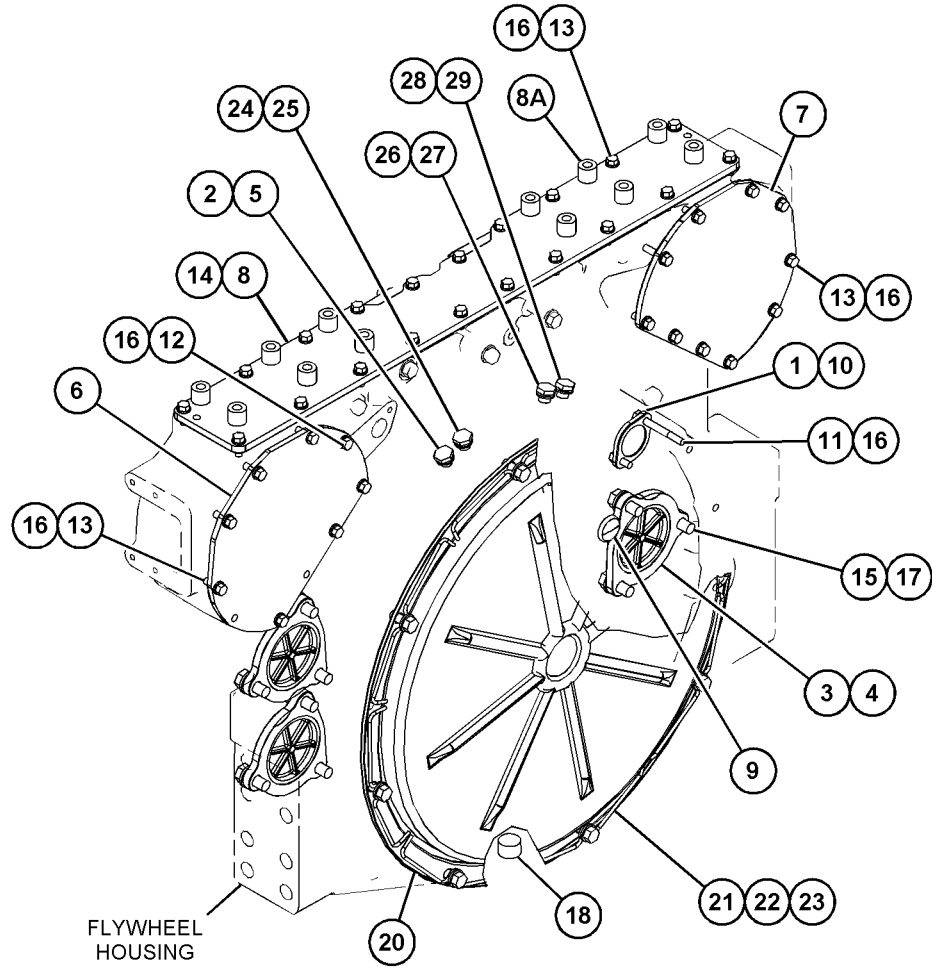
B - USE AS REQUIRED

J - FOR SHIPPING & STORAGE ONLY

# BASIC ENGINE

4W-1528 COVER GP-FLYWHEEL HOUSING (contd.)

i07308006



GRAPHIC #1

<END>

g06283319

# BASIC ENGINE

## 4W-1529 COVER GP-FLYWHEEL HOUSING

PART OF 376-4849 ENGINE AR-COMplete

SMCS-1157

i07197058

NOTE	REF NO	GRAPHIC REF	PART NUMBER	QTY	PART NAME						SEE PAGE
					1	2	3	4	5	6 (PRODUCT LEVEL)	
	1	1	<b>4N-1114</b>	3	COVER						
	2	1	<b>4H-7869</b>	3	GASKET						
	3	1	<b>4B-4043</b>	9	BOLT (5/8-11X1.375-IN)						
	4	1	<b>5P-8247</b>	9	WASHER-HARD (17X32X3.5-MM THK)						
	5	1	<b>8T-6761</b>	1	PLUG-PIPE (1-11-1/2 NPT THD)						
	7	1	<b>0S-1594</b>	16	BOLT (3/8-16X1-IN)						
	8	1	<b>5M-2894</b>	21	WASHER-HARD (10.2X18.5X2.5-MM THK)						
	9	1	<b>2P-2772</b>	2	COVER						
	10	1	<b>234-8937</b>	2	SEAL-INTEGRAL						
	11	1	<b>0L-1352</b>	2	BOLT (3/8-16X3.25-IN)						
	12	1	<b>7N-4319</b>	2	COVER						
	13	1	<b>7N-4320</b>	2	GASKET						
	14	1	<b>165-3929</b>	3	BOLT (3/8-16X1.5-IN)						
	15	1	<b>8T-6765</b>	2	PLUG-PIPE (1/4-18-THD)						
B	16	1	<b>5F-0304</b>	3	PLUG						
B	17	1	<b>4B-8407</b>	4	GASKET-COPPER						
	22	1	<b>5F-0304</b>	1	PLUG						
	23	1	<b>4B-8407</b>	3	GASKET-COPPER						
B	24	1	<b>0S-1594</b>	1	BOLT (3/8-16X1-IN)						
B	25	1	<b>5M-2894</b>	1	WASHER-HARD (10.2X18.5X2.5-MM THK)						
B	30	1	<b>8T-6765</b>	1	PLUG-PIPE (1/4-18-THD)						
	31	1	<b>104-4767</b>	2	ADAPTER						
B	32	1	<b>104-4767</b>	1	ADAPTER						
B	33	1	<b>3K-0360</b>	3	SEAL-O-RING						
B	34	1	<b>9S-4185</b>	3	PLUG (3/4-16-THD)						

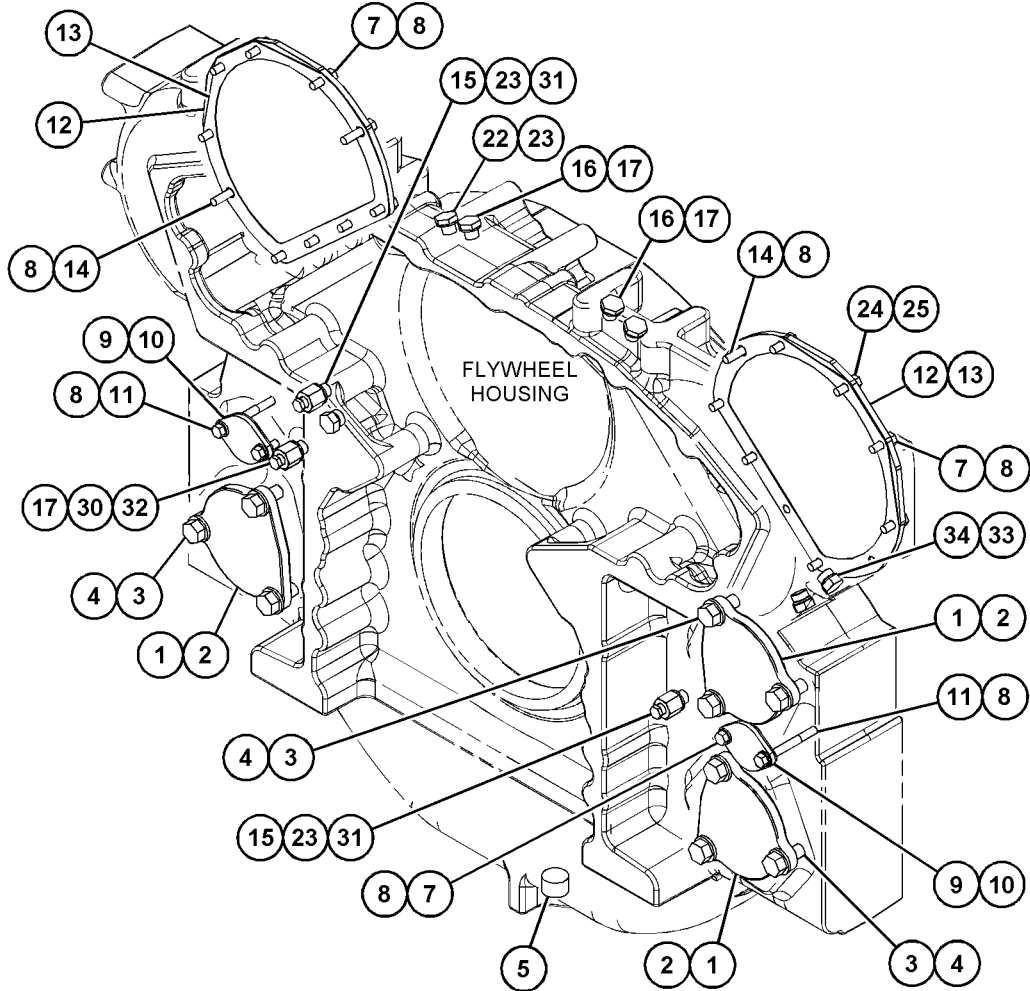
B - USE AS REQUIRED



# BASIC ENGINE

4W-1529 COVER GP-FLYWHEEL HOUSING (contd.)

i07197058



GRAPHIC #1

<END>

g06215941

# BASIC ENGINE

## 7N-4852 COVER GP-FLYWHEEL HOUSING

S/N: 66Z190-578

AN ATTACHMENT

SMCS-1157

i00956923

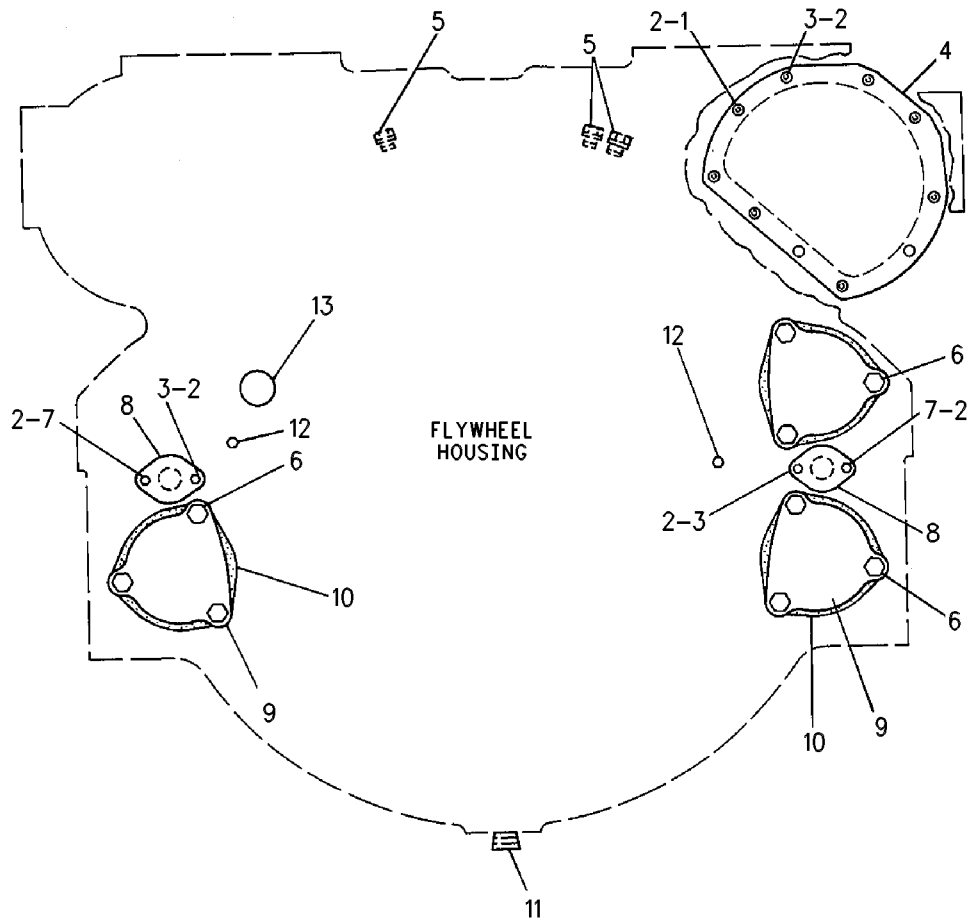
NOTE	REF NO	GRAPHIC REF	PART NUMBER	QTY	PART NAME						SEE PAGE
					1	2	3	4	5	6	
C	1	1	<b>0S-1591</b>	1	BOLT (3/8-16X1.5-IN)						
C	2	1	<b>5M-2894</b>	12	WASHER-HARD (10.2X18.5X2.5-MM THK)						
C	3	1	<b>0S-1594</b>	9	BOLT (3/8-16X1-IN)						
	4	1	<b>7N-4319</b>	1	COVER						
		1	<b>7N-4320</b>	1	GASKET						
BC	5	1	<b>5F-0304</b>	3	PLUG						
BC		1	<b>4B-8407</b>	3	GASKET-COPPER						
	6	1	<b>4B-4043</b>	9	BOLT (5/8-11X1.375-IN)						
		1	<b>5P-8247</b>	9	WASHER-HARD (17X32X3.5-MM THK)						
	7	1	<b>0L-1352</b>	2	BOLT (3/8-16X3.25-IN)						
	8	1	<b>2P-2772</b>	2	COVER						
		1	<b>4N-0933</b>	2	GASKET						
	9	1	<b>4N-1114</b>	3	COVER						
	10	1	<b>4M-6853</b>	3	GASKET						
C	11	1	<b>3B-0551</b>	1	PLUG-PIPE						
	12	1	<b>5M-6213</b>	2	PLUG-PIPE (1/4-18-THD)						
C	13	1	<b>4K-0149</b>	1	PLUG-CUP						

B - USE AS REQUIRED  
 C - CHANGE FROM PREVIOUS TYPE

# BASIC ENGINE

7N-4852 COVER GP-FLYWHEEL HOUSING (contd.)

i00956923



GRAPHIC #1

<END>

g00501707

# BASIC ENGINE

## 7N-9539 COVER GP-FLYWHEEL HOUSING

REAR STRUCTURE. SAE NO. 0 FLYWHEEL HOUSING  
AN ATTACHMENT

SMCS-1157

i01697520

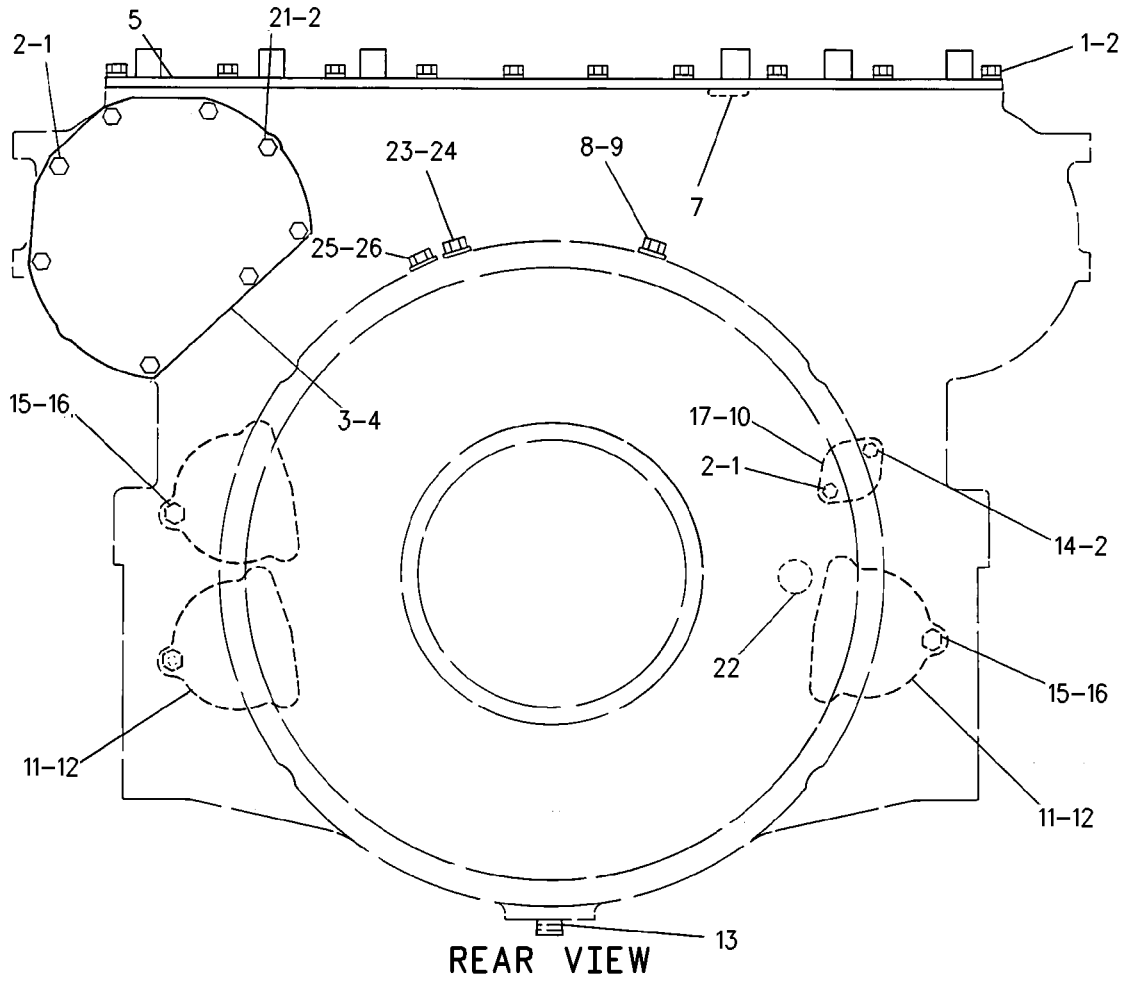
NOTE	REF NO	GRAPHIC REF	PART NUMBER	QTY	PART NAME						SEE PAGE
					1	2	3	4	5	6 (PRODUCT LEVEL)	
	1	1	<b>0S-1594</b>	28	BOLT (3/8-16X1-IN)						
	2	1	<b>5M-2894</b>	30	WASHER-HARD (10.2X18.5X2.5-MM THK)						
	3	1	<b>7N-4319</b>	1	COVER						
	4	1	<b>7N-4320</b>	1	GASKET						
	5	1	<b>8N-9211</b>	1	COVER AS-FLYWHEEL HOUSING						
	7	1	<b>2J-6274</b>	1	SEAL-O-RING						
B	8	1	<b>5F-0304</b>	1	PLUG						
B	9	1	<b>4B-8407</b>	1	GASKET-COPPER						
	10	1	<b>4N-0933</b>	1	GASKET						
	11	1	<b>4N-1114</b>	3	COVER						
	12	1	<b>4H-7869</b>	3	GASKET						
	13	1	<b>8T-6760</b>	1	PLUG-PIPE (1-1/2-11-1/2 NPT)						
	14	1	<b>0L-1352</b>	1	BOLT (3/8-16X3.25-IN)						
	15	1	<b>4B-4043</b>	9	BOLT (5/8-11X1.375-IN)						
	16	1	<b>5P-8247</b>	9	WASHER-HARD (17X32X3.5-MM THK)						
	17	1	<b>2P-2772</b>	1	COVER						
	21	1	<b>0S-1591</b>	1	BOLT (3/8-16X1.5-IN)						
C	22	1	<b>9S-1343</b>	1	PLUG-CUP						
B	23	1	<b>5F-0304</b>	1	PLUG						
B	24	1	<b>4B-8407</b>	1	GASKET-COPPER						
	25	1	<b>5F-0304</b>	1	PLUG						
	26	1	<b>4B-8407</b>	1	GASKET-COPPER						

B - USE AS REQUIRED  
C - CHANGE FROM PREVIOUS TYPE

# BASIC ENGINE

7N-9539 COVER GP-FLYWHEEL HOUSING (contd.)

i01697520



GRAPHIC #1

<END>

g00696008

# BASIC ENGINE

## 107-0278 COVER GP-FRONT HOUSING

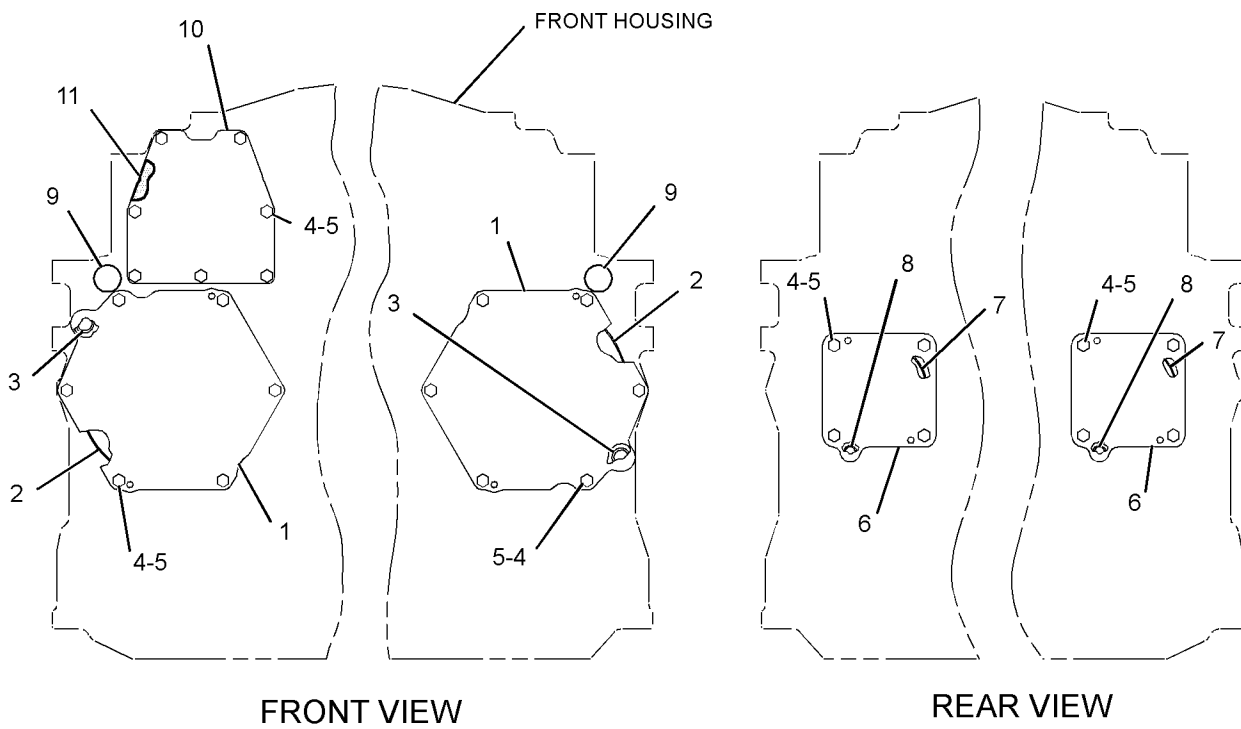
S/N: 50Y647-1304

PART OF 357-0858, 376-4849 ENGINE AR-COMPLETE

SMCS-1151, 1166

i07034098

NOTE	REF NO	GRAPHIC REF	PART NUMBER	QTY	PART NAME						SEE PAGE
					1	2	3	4	5	6 (PRODUCT LEVEL)	
	1	1	<b>7N-4951</b>	2	COVER						
	2	1	<b>235-3546</b>	2	SEAL-O-RING						
	3	1	<b>6V-3348</b>	2	SEAL-O-RING						
	4	1	<b>1A-2029</b>	27	BOLT (3/8-16X1.125-IN)						
	5	1	<b>5M-2894</b>	27	WASHER-HARD (10.2X18.5X2.5-MM THK)						
	6	1	<b>7N-4952</b>	2	COVER						
	7	1	<b>259-4598</b>	2	SEAL-O-RING						
	8	1	<b>5P-0840</b>	2	SEAL-O-RING						
	9	1	<b>3P-1896</b>	2	PLUG-CUP						
	10	1	<b>2W-5285</b>	1	COVER						
	11	1	<b>8N-9885</b>	1	GASKET-COVER						



GRAPHIC #1

<END>

g01173129

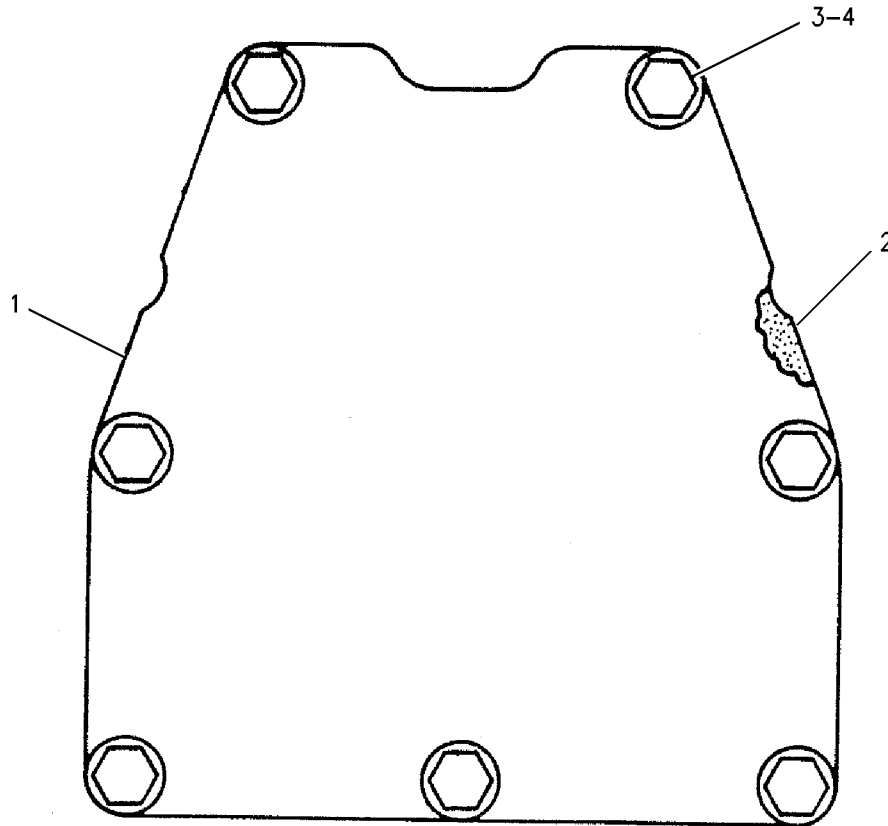
# BASIC ENGINE

## 7W-2378 COVER GP-FRONT HOUSING-LH AN ATTACHMENT

SMCS-1151, 1166

i04832810

NOTE	REF NO	GRAPHIC REF	PART NUMBER	QTY	PART NAME						SEE PAGE
					1	2	3	4	5	6 (PRODUCT LEVEL)	
	1	1	<b>2W-5285</b>	1	COVER						
	2	1	<b>8N-9885</b>	1	GASKET-COVER						
	3	1	<b>1A-2029</b>	7	BOLT (3/8-16X1.125-IN)						
	4	1	<b>5M-2894</b>	7	WASHER-HARD (10.2X18.5X2.5-MM THK)						



GRAPHIC #1

<END>

g00705512

# BASIC ENGINE

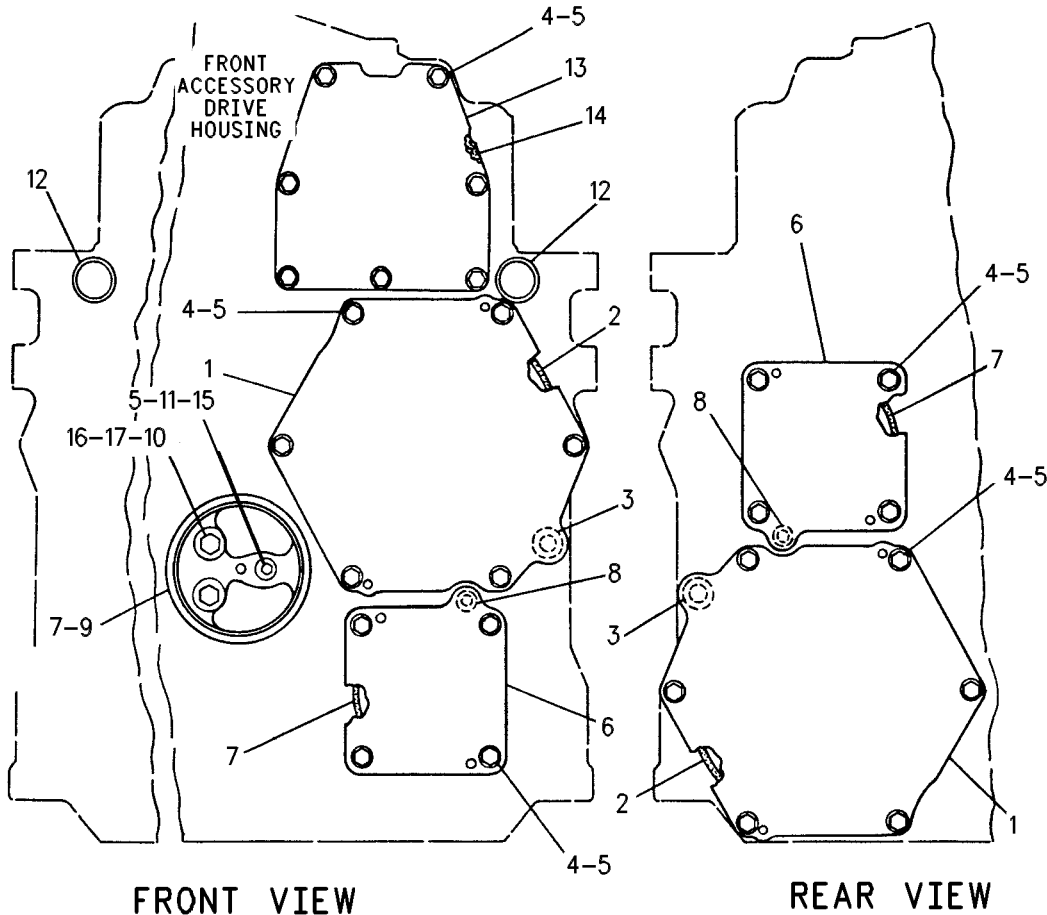
## 8N-9642 COVER GP-FRONT HOUSING

SMCS-1151, 1166

i07506251

NOTE	REF NO	GRAPHIC REF	PART NUMBER	QTY	PART NAME						SEE PAGE
					1	2	3	4	5	6 (PRODUCT LEVEL)	
	1	1	<b>7N-4951</b>	2	COVER						
	2	1	<b>235-3546</b>	2	SEAL-O-RING						
	3	1	<b>6V-3348</b>	2	SEAL-O-RING						
C	4	1	<b>1A-2029</b>	27	BOLT (3/8-16X1.125-IN)						
C	5	1	<b>5M-2894</b>	28	WASHER-HARD (10.2X18.5X2.5-MM THK)						
	6	1	<b>7N-4952</b>	2	COVER						
	7	1	<b>259-4598</b>	3	SEAL-O-RING						
	8	1	<b>5P-0840</b>	2	SEAL-O-RING						
	9	1	<b>8N-9658</b>	1	PLUG						
	10	1	<b>0L-1329</b>	2	BOLT (1/2-13X3-IN)						
	11	1	<b>1C-2251</b>	1	BOLT (3/8-16X1.87-IN)						
B	12	1	<b>3P-1896</b>	2	PLUG-CUP						
C	13	1	<b>2W-5285</b>	1	COVER						
C	14	1	<b>8N-9885</b>	1	GASKET-COVER						
	15	1	<b>8J-6775</b>	1	SEAL-THREAD						
	16	1	<b>5P-8245</b>	2	WASHER-HARD (13.5X25.5X3-MM THK)						
	17	1	<b>6V-0405</b>	2	SEAL-BONDED						

B - USE AS REQUIRED  
 C - CHANGE FROM PREVIOUS TYPE



GRAPHIC #1

<END>

g01035696



# BASIC ENGINE

## 2W-5616 COVER GP-OIL PAN

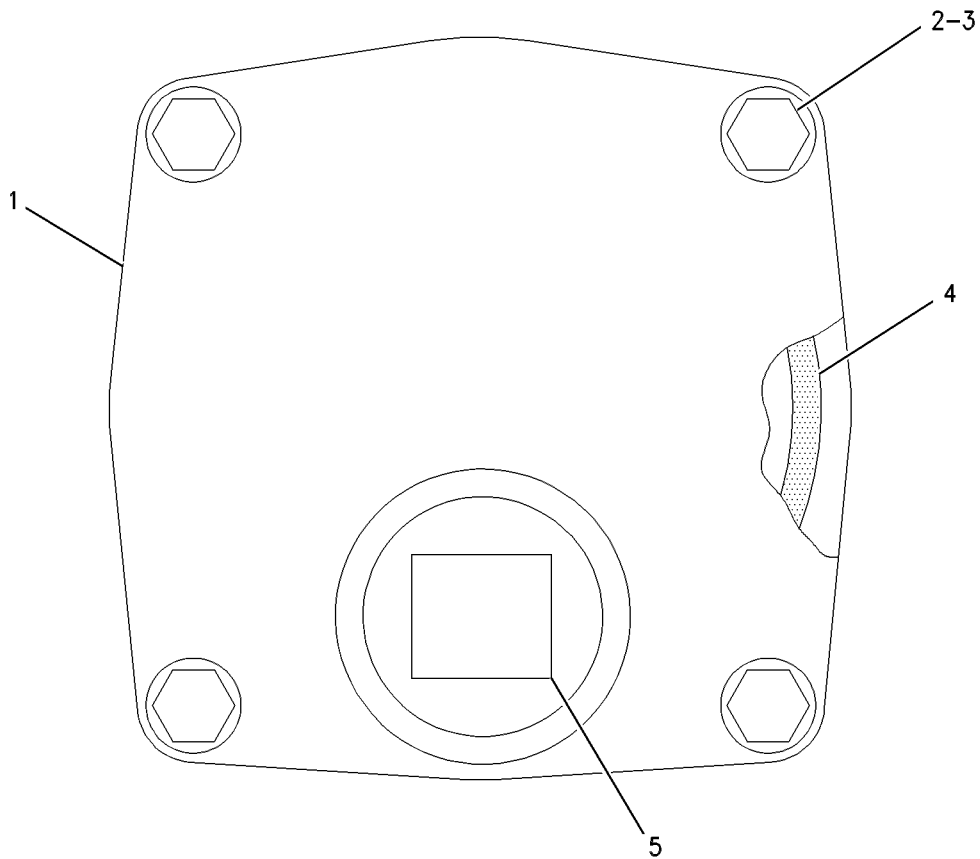
AN ATTACHMENT

TYPE 1

SMCS-1302

i03657741

NOTE	REF NO	GRAPHIC REF	PART NUMBER	QTY	PART NAME						SEE PAGE
					1	2	3	4	5	6 (PRODUCT LEVEL)	
	1	1	<b>9Y-4893</b>	1	COVER						
	2	1	<b>0L-1351</b>	4	BOLT (3/8-16X0.875-IN)						
	3	1	<b>5M-2894</b>	4	WASHER-HARD (10.2X18.5X2.5-MM THK)						
	4	1	<b>6V-4314</b>	1	SEAL-O-RING						
	5	1	<b>9X-6138</b>	1	PLUG-PIPE						



GRAPHIC #1

<END>

g00617902

# BASIC ENGINE

## 2W-5616 COVER GP-OIL PAN

AN ATTACHMENT

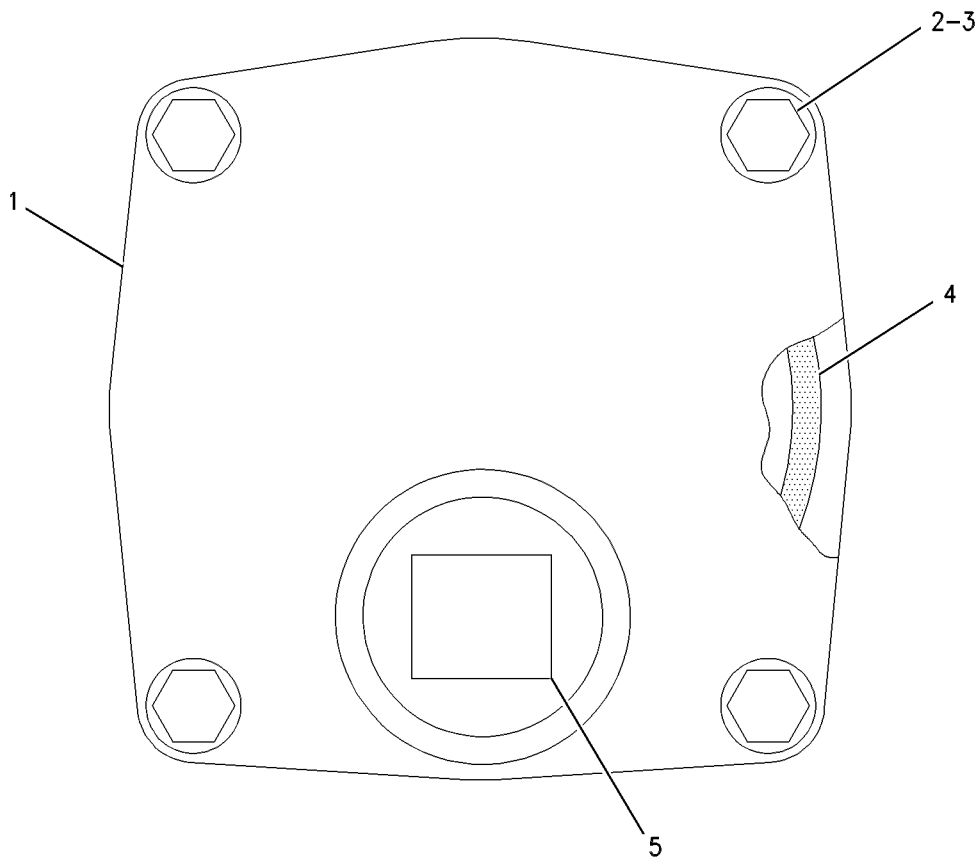
TYPE 2

SMCS-1302

i07143012

NOTE	REF NO	GRAPHIC REF	PART NUMBER	QTY	PART NAME						SEE PAGE
					1	2	3	4	5	6 (PRODUCT LEVEL)	
C	1	1	<b>151-9264</b>	1	COVER AS						
C	2	1	<b>0S-1588</b>	4	BOLT (3/8-16X1.25-IN)						
C	3	1	<b>8M-9024</b>	4	WASHER-HARD (10.2X22.5X5-MM THK)						
C	4	1	<b>6V-7351</b>	1	SEAL-O-RING						
	5	1	<b>9X-6138</b>	1	PLUG-PIPE (ENGINE OIL DRAIN)						

C - CHANGE FROM PREVIOUS TYPE



GRAPHIC #1

<END>

g00617879

# BASIC ENGINE

## 7W-6401 COVER GP-OIL PAN

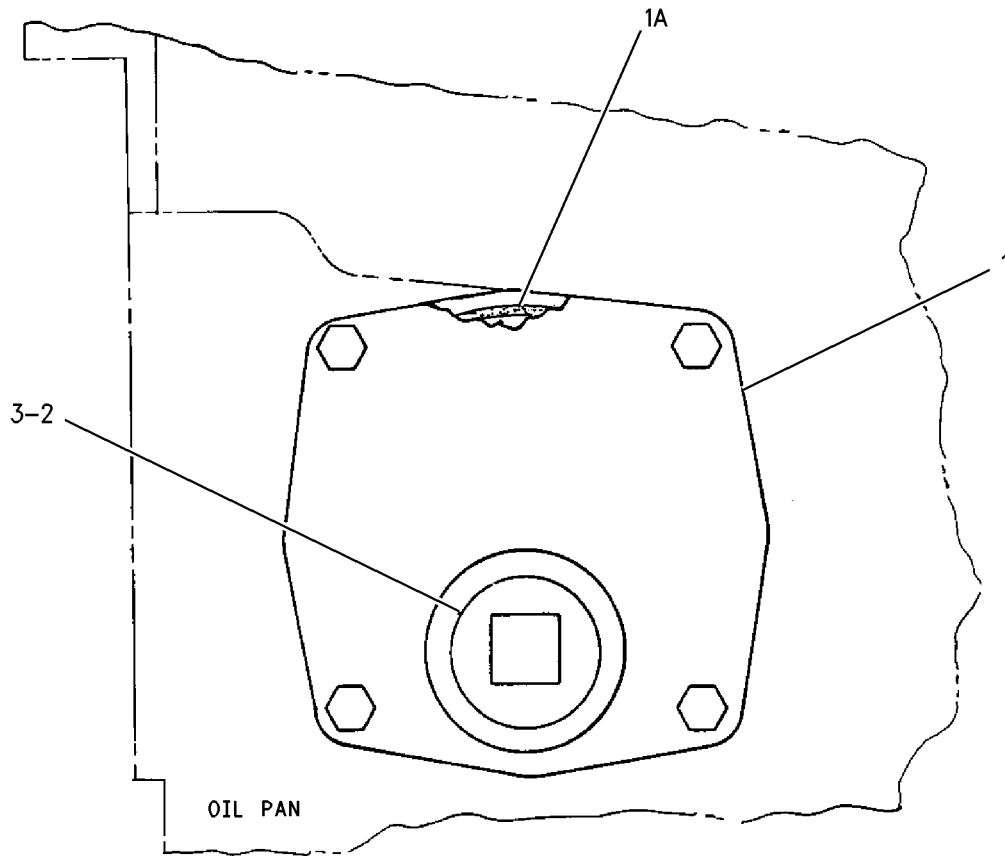
S/N: 50Y647-726; 66Z190-246

**PROVIDES A CAST IRON COVER TO BE USED IN PLACE OF ALUMINUM COVER  
AN ATTACHMENT**

**SMCS-1302**

**i01339842**

NOTE	REF NO	GRAPHIC REF	PART NUMBER	QTY	PART NAME						SEE PAGE
					1	2	3	4	5	6 (PRODUCT LEVEL)	
	1	1	<b>7N-6387</b>	1	COVER						
	1A	1	<b>6V-4314</b>	1	SEAL-O-RING						
	2	1	<b>4B-2363</b>	1	PLUG-OIL DRAIN						
	3	1	<b>6F-4868</b>	1	GASKET						



**FRONT VIEW**

GRAPHIC #1

<END>

g00708573

# BASIC ENGINE

## 101-0831 COVER GP-VALVE MECHANISM

S/N: 50Y647-1304

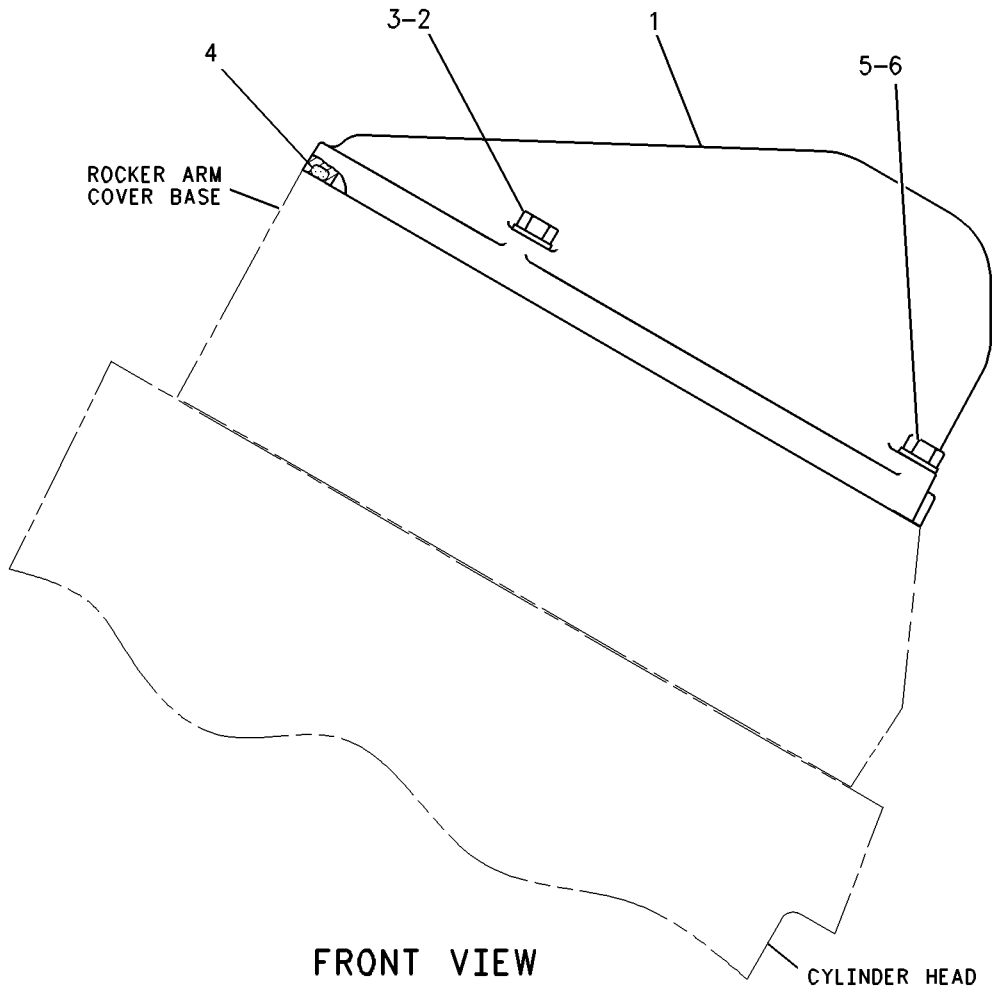
PART OF 357-0858, 376-4849 ENGINE AR-COMPLETE

SMCS-1107

i05854205

NOTE	REF NO	GRAPHIC REF	PART NUMBER	QTY	PART NAME						SEE PAGE
					1	2	3	4	5	6 (PRODUCT LEVEL)	
	1	1	<b>101-4197</b>	1	COVER						
	2	1	<b>1A-9579</b>	3	BOLT (5/16-18X1.5-IN)						
	3	1	<b>9M-1974</b>	3	WASHER-HARD (8.8X16X2-MM THK)						
	4	1	<b>272-0760</b>	1	SEAL-VALVE COVER (BASE)						
B	5	1	<b>1A-9579</b>	1	BOLT (5/16-18X1.5-IN)						
B	6	1	<b>9M-1974</b>	1	WASHER-HARD (8.8X16X2-MM THK)						

B - USE AS REQUIRED



GRAPHIC #1

<END>

g00773092

# BASIC ENGINE

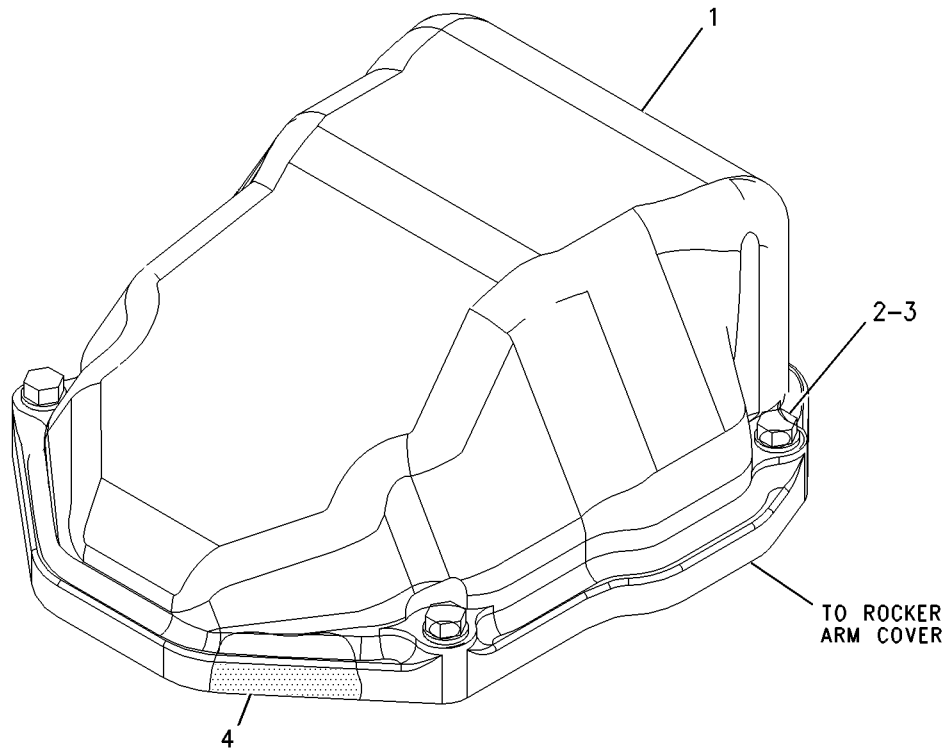
## 155-2565 COVER GP-VALVE MECHANISM

CHROME PLATED  
FOR USE WITH MUI ENGINE  
AN ATTACHMENT

SMCS-1107

i04561117

NOTE	REF NO	GRAPHIC REF	PART NUMBER	QTY	PART NAME						SEE PAGE
					1	2	3	4	5	6 (PRODUCT LEVEL)	
	1	1	<b>155-2569</b>	1	COVER						
	2	1	<b>133-6270</b>	4	BOLT (5/16-18X1.5-IN)						
	3	1	<b>133-6265</b>	4	WASHER (8.8X16X2-MM THK)						
	4	1	<b>272-0757</b>	1	SEAL - VALVE COVER						



GRAPHIC #1

<END>

g00901999

# BASIC ENGINE

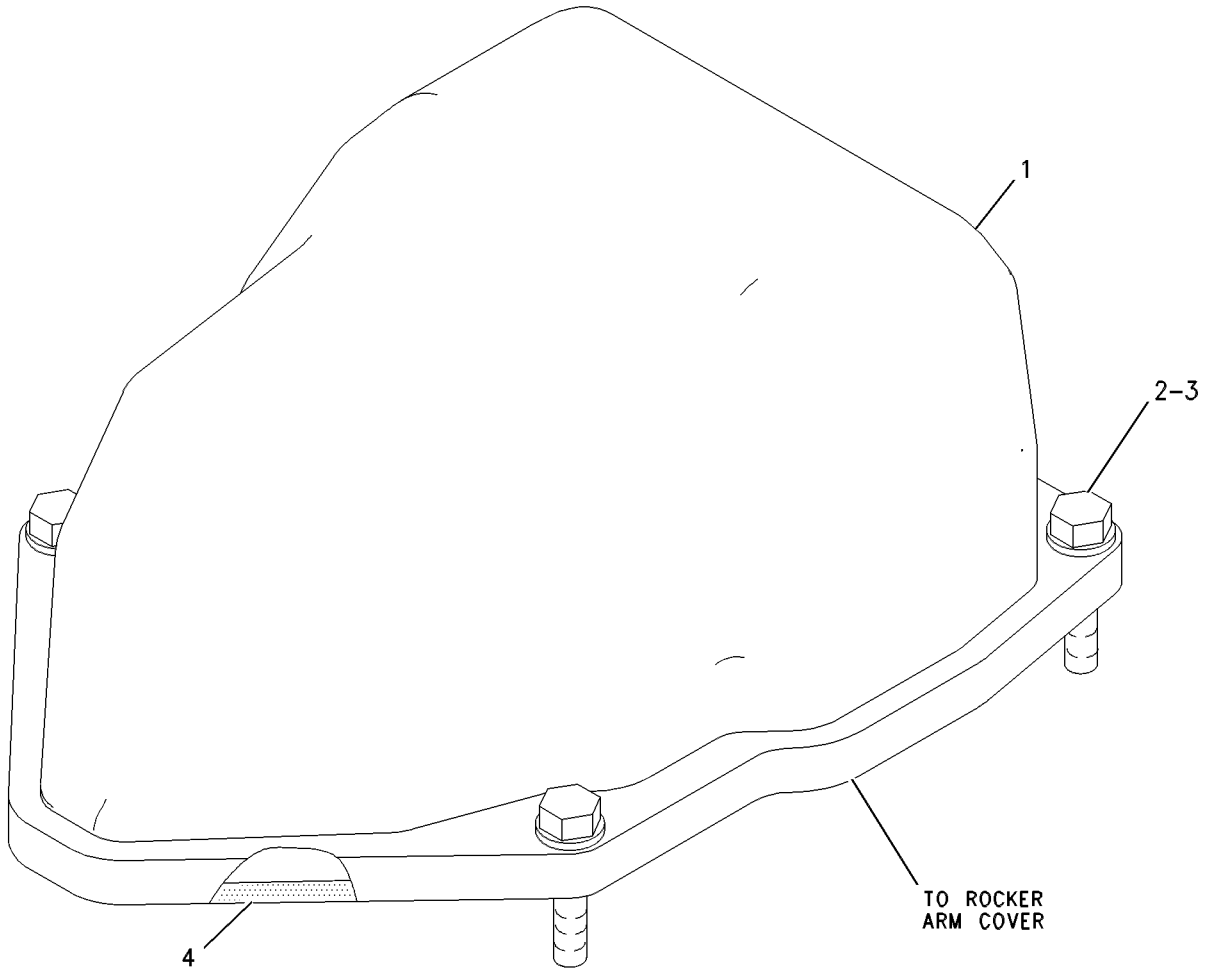
## 155-2566 COVER GP-VALVE MECHANISM

CHROME PLATED  
FOR USE WITH EUI ENGINE  
AN ATTACHMENT

SMCS-1107

i03627555

NOTE	REF NO	GRAPHIC REF	PART NUMBER	QTY	PART NAME						SEE PAGE
					1	2	3	4	5	6	
	1	1	155-2571	1	COVER						
	2	1	133-6270	4	BOLT (5/16-18X1.5-IN)						
	3	1	133-6265	4	WASHER (8.8X16X2-MM THK)						
	4	1	272-0760	1	SEAL-VALVE COVER (BASE)						



GRAPHIC #1

<END>

g00536865

# BASIC ENGINE

## 265-8040 COVER GP-VALVE MECHANISM

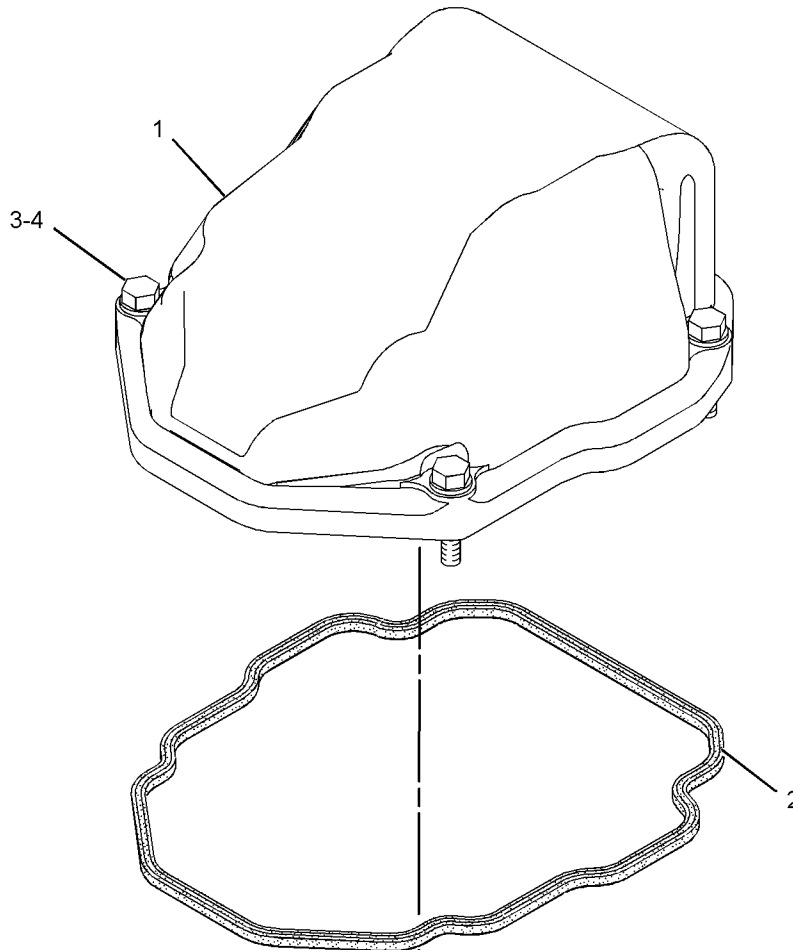
S/N: 66Z190-578

AN ATTACHMENT

SMCS-1107

i03627557

NOTE	REF NO	GRAPHIC REF	PART NUMBER	QTY	PART NAME						SEE PAGE
					1	2	3	4	5	6 (PRODUCT LEVEL)	
	1	1	<b>265-8041</b>	1	COVER						
	2	1	<b>272-0757</b>	1	SEAL -VALVE COVER (VALVE COVER BASE)						
	3	1	<b>1A-9579</b>	4	BOLT (5/16-18X1.5-IN)						
	4	1	<i>9M-1974</i>	4	WASHER-HARD (8.8X16X2-MM THK)						



MOUNTS TO ROCKER ARM BASE

<END>

GRAPHIC #1

g01378184

# BASIC ENGINE

## 7N-1855 COVER GP-VALVE MECHANISM

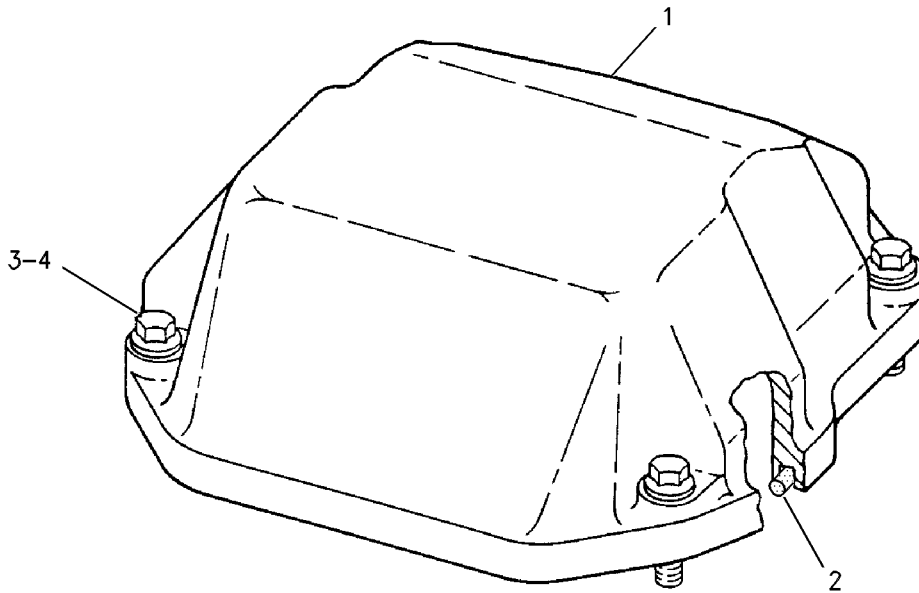
S/N: 50Y652-1304; 66Z190-578

**SMCS-1107**

**i04546899**

NOTE	REF NO	GRAPHIC REF	PART NUMBER	QTY	PART NAME						SEE PAGE
					1	2	3	4	5	6 (PRODUCT LEVEL)	
C	1	1	<b>2W-8894</b>	1	COVER						
C	2	1	<b>272-0757</b>	1	SEAL - VALVE COVER						
	3	1	<b>1A-9579</b>	4	BOLT (5/16-18X1.5-IN)						
C	4	1	<b>9M-1974</b>	4	WASHER-HARD (8.8X16X2-MM THK)						

C - CHANGE FROM PREVIOUS TYPE



GRAPHIC #1

<END>

g00581190



# BASIC ENGINE

## 7E-4897 CRANKSHAFT AS\*R

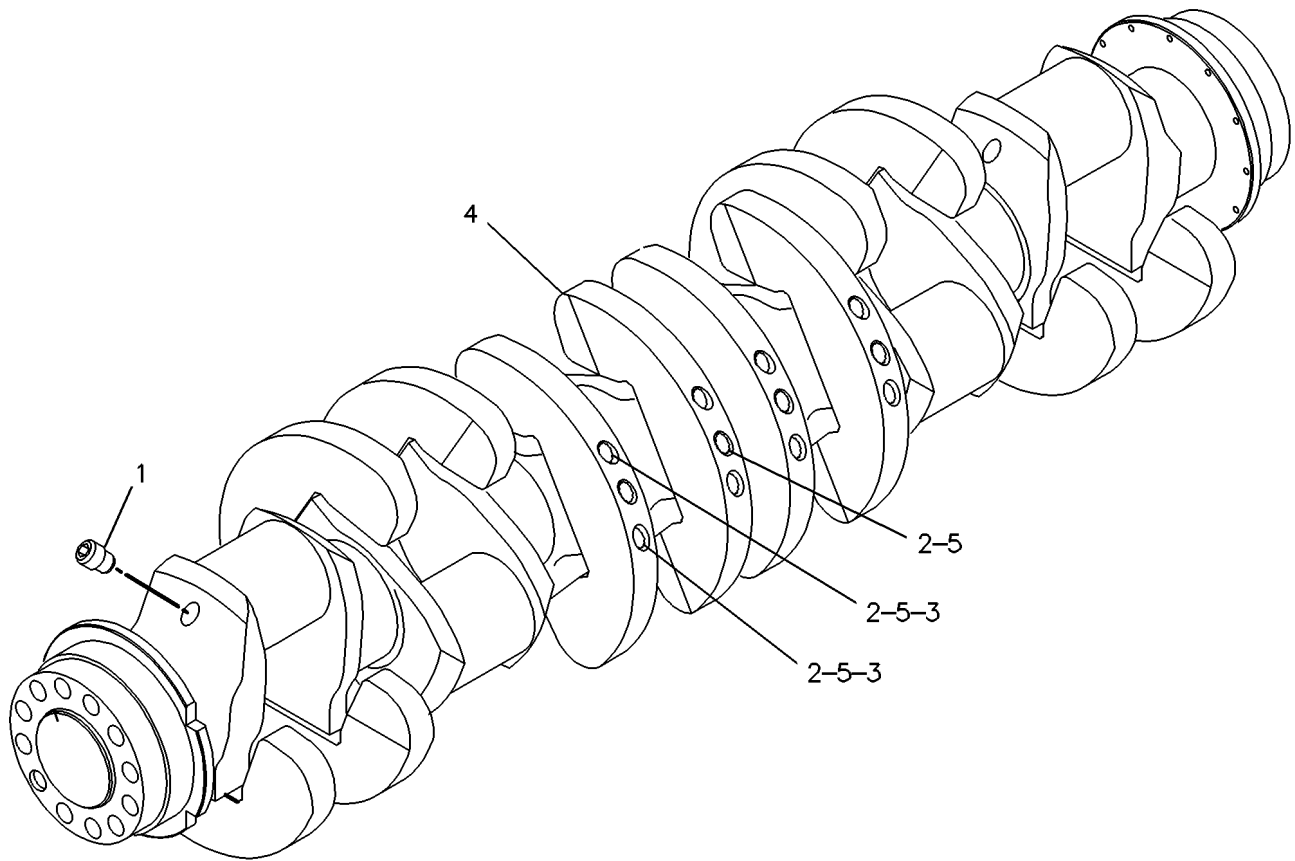
S/N: 50Y647-863; 66Z190-364

**FIELD REPLACEMENT FOR 7W-0214 CRANKSHAFT AS  
FIELD INSTALLATION**

**SMCS-1202**

**i00370454**

NOTE	REF NO	GRAPHIC REF	PART NUMBER	QTY	PART NAME						SEE PAGE
					1	2	3	4	5	6 (PRODUCT LEVEL)	
	1	1	<b>2W-2288</b>	6	PLUG						
	2	1	<b>7E-4201</b>	36	BOLT-12 POINT HEAD						
	3	1	<b>7N-2003</b>	24	DOWEL						
	4	1	<b>7E-4770</b>	12	COUNTERWEIGHT						
	5	1	<b>7E-4725</b>	36	WASHER-HARD						



GRAPHIC #1

<END>

g00099869

# BASIC ENGINE

## 8N-7103 CRANKSHAFT GP

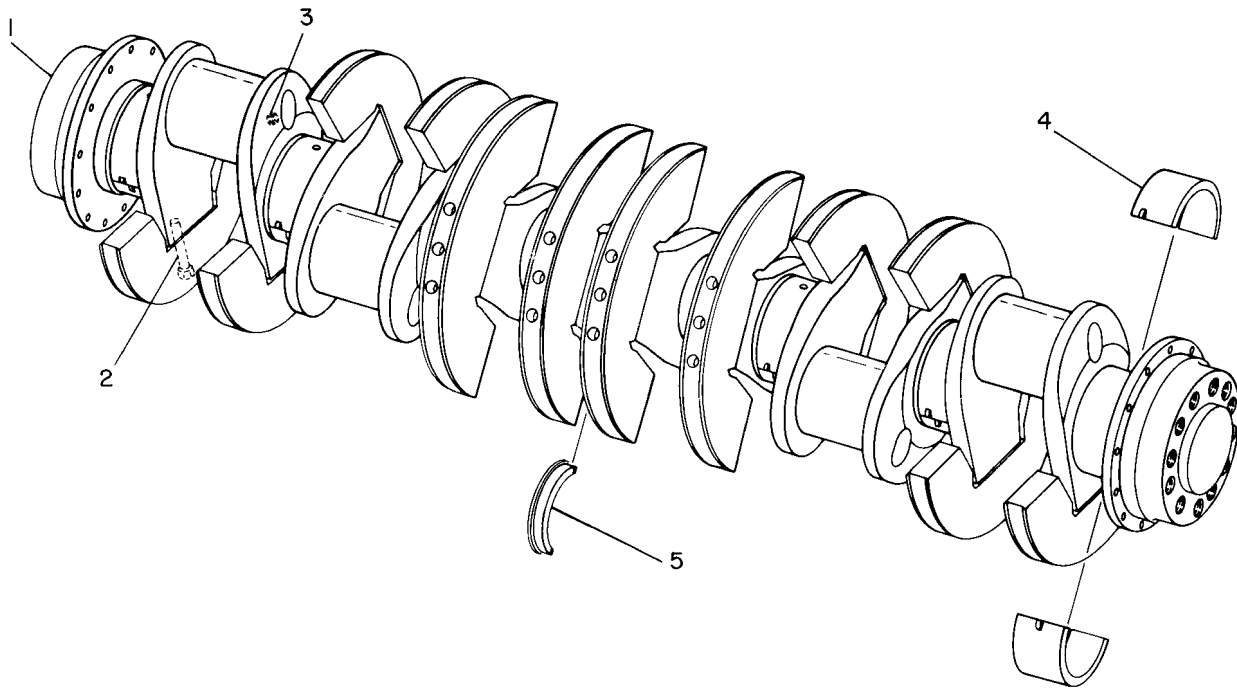
S/N: 50Y647-863; 66Z190-364

SMCS-1202

i02100156

NOTE	REF NO	GRAPHIC REF	PART NUMBER	QTY	PART NAME						SEE PAGE
					1	2	3	4	5	6 (PRODUCT LEVEL)	
R	1	1	<b>7W-0214</b>	1	CRANKSHAFT AS						
	2	1	<b>4W-6358</b>	36	BOLT-12 POINT HEAD						
		1	<b>7N-2003</b>	24	DOWEL						
		1	<b>9Y-3830</b>	36	WASHER-HARD						
	3	1	<b>2W-2288</b>	6	PLUG						
	4	1	<b>4W-5704</b>	7	BEARING-MAIN (STANDARD)						
AB		1	<b>4W-5705</b>		BEARING-MAIN (0.63-MM US)						
AB		1	<b>4W-5706</b>		BEARING-MAIN (1.27-MM US)						
AB		1	<b>4W-5708</b>		BEARING-MAIN (0.63-MM OS, 0.63-MM US)						
AB		1	<b>4W-5707</b>		BEARING-MAIN (0.63-MM OS)						
C	5	1	<b>7C-6209</b>	2	PLATE-THRUST						

A - NOT PART OF THIS GROUP  
 B - USE AS REQUIRED  
 C - CHANGE FROM PREVIOUS TYPE  
 R - REMANUFACTURED PART MAY BE AVAILABLE



GRAPHIC #1

<END>

g00099218

# BASIC ENGINE

## 8N-7103 CRANKSHAFT GP

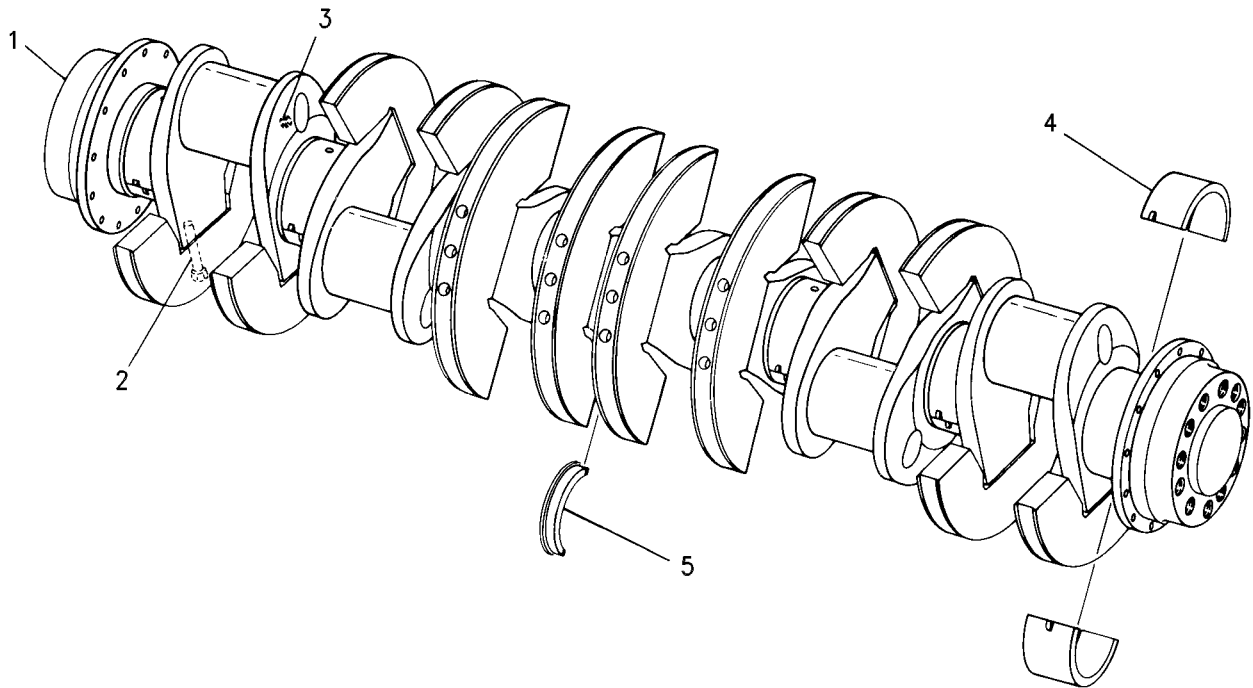
S/N: 50Y864-1304; 66Z365-578

SMCS-1202

i04546943

NOTE	REF NO	GRAPHIC REF	PART NUMBER	QTY	PART NAME						SEE PAGE
					1	2	3	4	5	6 (PRODUCT LEVEL)	
CR	1	1	<b>128-6786</b>	1	CRANKSHAFT AS						
		1	<b>7N-2003</b>	24	DOWEL						
	2	1	<b>128-4845</b>	36	BOLT AS						
	3	1	<b>2W-2288</b>	6	PLUG						
	4	1	<b>105-0253</b>	7	BEARING-MAIN (STANDARD)						
AB		1	<b>105-0254</b>		BEARING-MAIN (0.63-MM US)						
AB		1	<b>105-0255</b>		BEARING-MAIN (1.27-MM US)						
AB		1	<b>105-0256</b>		BEARING-MAIN (0.63-MM OS)						
AB		1	<b>105-0257</b>		BEARING-MAIN (0.63-MM OS, 0.63-MM US)						
	5	1	<b>7C-6209</b>	2	PLATE-THRUST						

A - NOT PART OF THIS GROUP  
 B - USE AS REQUIRED  
 C - CHANGE FROM PREVIOUS TYPE  
 R - REMANUFACTURED PART MAY BE AVAILABLE



GRAPHIC #1

<END>

g00358114

# BASIC ENGINE

## 8N-7103 CRANKSHAFT GP

S/N: 50Y647-1304

PART OF 357-0858, 376-4849 ENGINE AR-COMPLETE

**SMCS-1202**

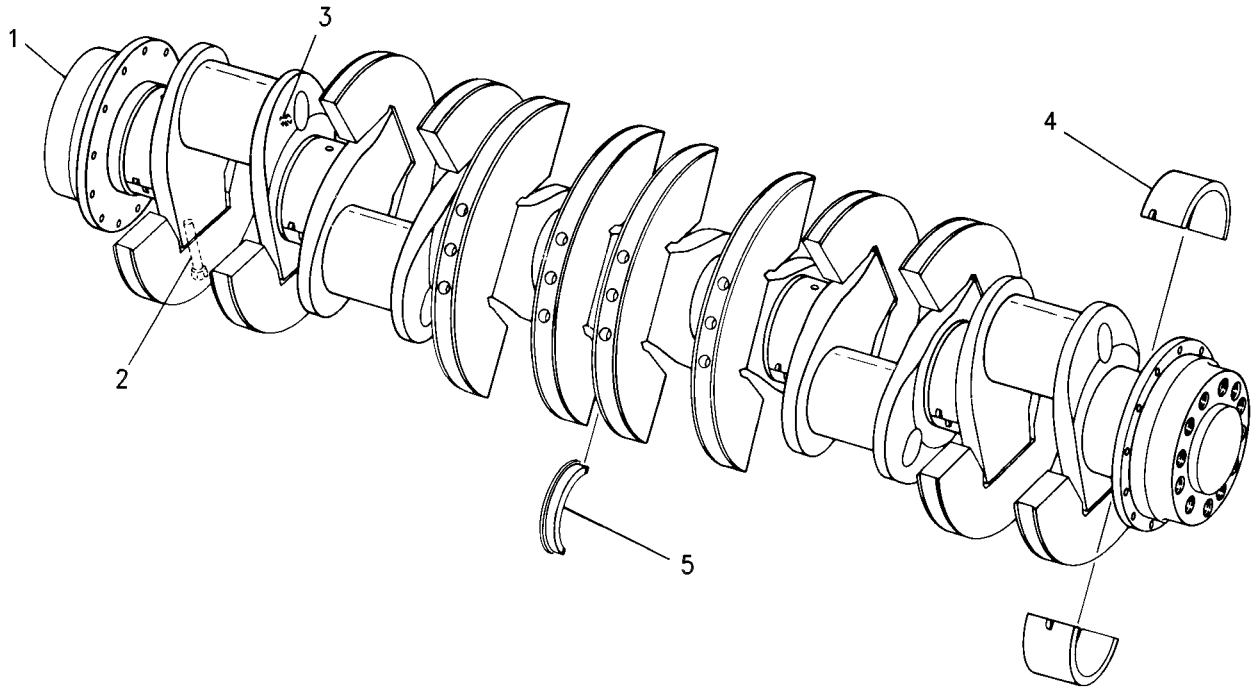
**i02730783**

NOTE	REF NO	GRAPHIC REF	PART NUMBER	QTY	PART NAME						SEE PAGE
					1	2	3	4	5	6 (PRODUCT LEVEL)	
R	1	1	<b>128-6786</b>	1	CRANKSHAFT AS						
		1	<b>7N-2003</b>	24	DOWEL						
	2	1	<b>128-4845</b>	36	BOLT AS						
	3	1	<b>2W-2288</b>	6	PLUG						
CJ	4	1	<b>149-6031</b>	7	BEARING AS-MAIN (STANDARD)						
ABC		1	<b>149-6032</b>		BEARING-MAIN (0.63-MM US)						
ABC		1	<b>149-6033</b>		BEARING-MAIN (1.27-MM US)						
ABC		1	<b>149-6034</b>		BEARING-MAIN (0.63-MM OS)						
ABC		1	<b>149-6035</b>		BEARING-MAIN (0.63-MM OS, 0.63-MM US)						
J	5	1	<b>7C-6209</b>	2	PLATE-THRUST						
					AVAILABLE REPAIR KIT(S):						
J			<b>196-9530</b>		KIT-BASIC ENGINE REPAIR (MAIN BEARING)						
					(INCLUDES THRUST PLATES & MAIN BEARINGS)						
<p>A - NOT PART OF THIS GROUP                      B - USE AS REQUIRED                      C - CHANGE FROM PREVIOUS TYPE                      J - KIT MARKED J INCLUDES PART(S) MARKED J                      R - REMANUFACTURED PART MAY BE AVAILABLE</p>											

# BASIC ENGINE

8N-7103 CRANKSHAFT GP (contd.)

i02730783



GRAPHIC #1

<END>

g00358114

# BASIC ENGINE

## 101-1227 CYLINDER BLOCK AS

S/N: 50Y1165-1304; 66Z527-578

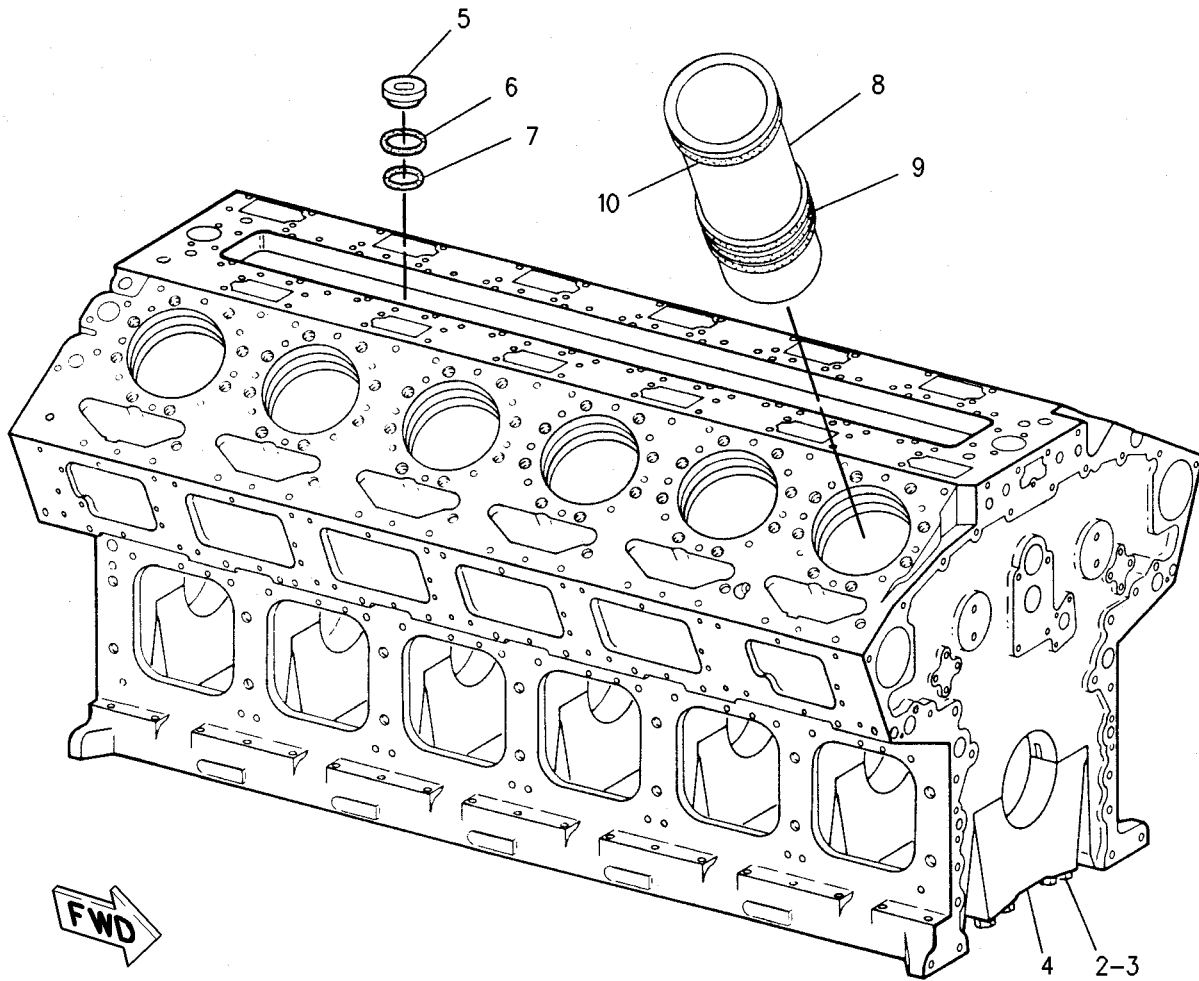
FIELD REPLACEMENT ORDER 101-1244-PAGE: 126

PART OF 2W-2944 CYLINDER BLOCK GP

SMCS-1201

i01785473

NOTE	REF NO	GRAPHIC REF	PART NUMBER	QTY	PART NAME						SEE PAGE
					1	2	3	4	5	6	
	2	1	<b>5P-8249</b>	28	WASHER-HARD (24X41.5X4-MM THK)						
	3	1	<b>7X-7925</b>	28	BOLT (7/8-14X11-IN)						
	4	1	<b>9Y-9175</b>	7	CAP-CRANKSHAFT BEARING						
	5	1	<b>4W-4813</b>	2	PLUG						
	6	1	<b>8T-2929</b>	2	SEAL-O-RING						
	7	1	<b>8T-2928</b>	2	SEAL-O-RING						
	8	1	<b>110-6993</b>	12	LINER-CYLINDER BLOCK						
	9	1	<b>7N-2046</b>	36	SEAL-O-RING						
	10	1	<b>8N-4707</b>	12	BAND-FILLER						



GRAPHIC #1

<END>

g00913253

# BASIC ENGINE

## 101-1241 CYLINDER BLOCK AS

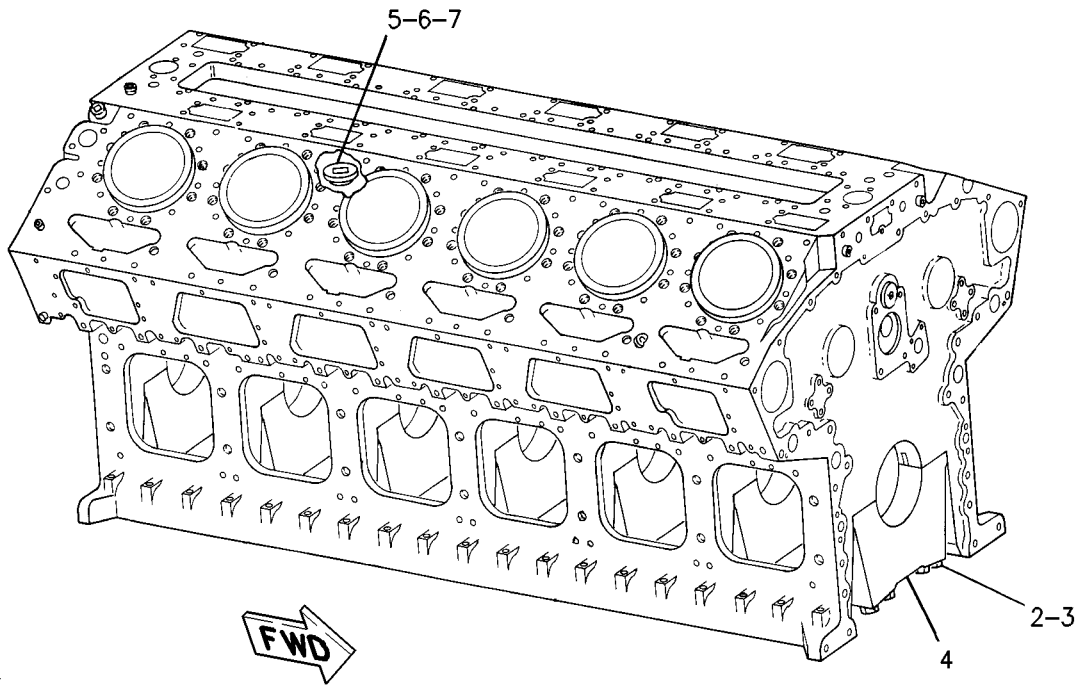
S/N: 50Y1165-1304

PART OF 101-1244 CYLINDER BLOCK GP

SMCS-1201

i01784879

NOTE	REF NO	GRAPHIC REF	PART NUMBER	QTY	PART NAME						SEE PAGE
					1	2	3	4	5	6	
	2	1	<b>5P-8249</b>	28	WASHER-HARD (24X41.5X4-MM THK)						
	3	1	<b>7X-7925</b>	28	BOLT (7/8-14X11-IN)						
	4	1	<b>9Y-9175</b>	7	CAP-CRANKSHAFT BEARING						
	5	1	<b>4W-4813</b>	2	PLUG						
	6	1	<b>8T-2929</b>	2	SEAL-O-RING						
	7	1	<b>8T-2928</b>	2	SEAL-O-RING						



GRAPHIC #1

<END>

g00913087

# BASIC ENGINE

## 2W-2943 CYLINDER BLOCK AS

S/N: 50Y647-663; 66Z190

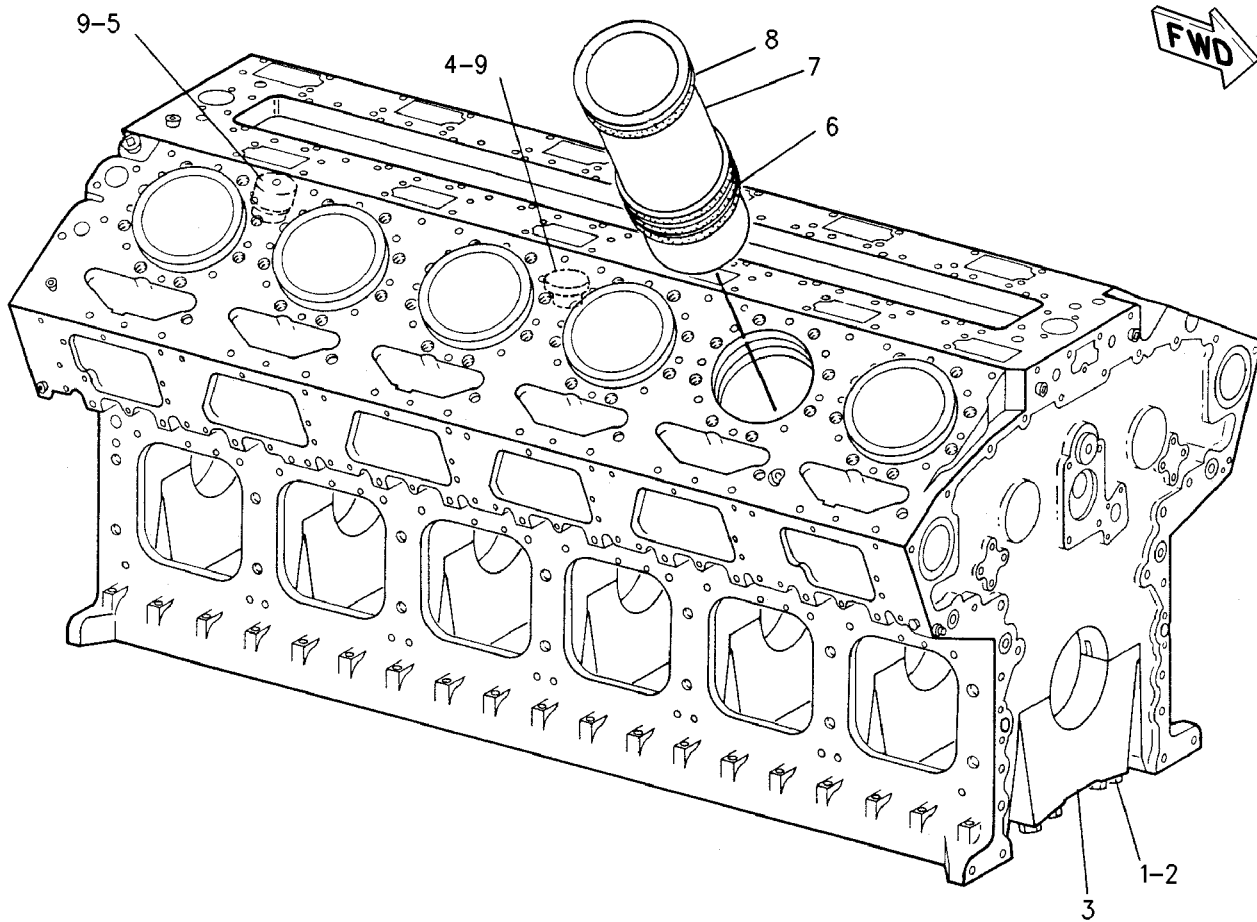
FIELD REPLACEMENT ORDER 2W-8245-PAGE: 139, 7C-6957-PAGE: 144

PART OF 2W-2944 CYLINDER BLOCK GP

SMCS-1201

i01798515

NOTE	REF NO	GRAPHIC REF	PART NUMBER	QTY	PART NAME						SEE PAGE
					1	2	3	4	5	6	
	1	1	<b>5P-8288</b>	28	BOLT (3/4-16X11-IN)						
	2	1	<b>5P-8248</b>	28	WASHER-HARD (20X36.5X3.5-MM THK)						
	3	1	<b>8N-8216</b>	7	CAP-CRANKSHAFT BEARING						
	4	1	<b>7N-2042</b>	5	PLUG						
	5	1	<b>1W-5420</b>	1	ADAPTER						
	6	1	<b>7N-2046</b>	36	SEAL-O-RING						
	7	1	<b>8N-6861</b>	12	LINER-CYLINDER BLOCK						
	8	1	<b>8N-4707</b>	12	BAND-FILLER						
	9	1	<b>8S-0768</b>	6	SEAL-O-RING						



GRAPHIC #1

<END>

g00922061



# BASIC ENGINE

## 2W-2943 CYLINDER BLOCK AS

S/N: 50Y664-791; 66Z191-305

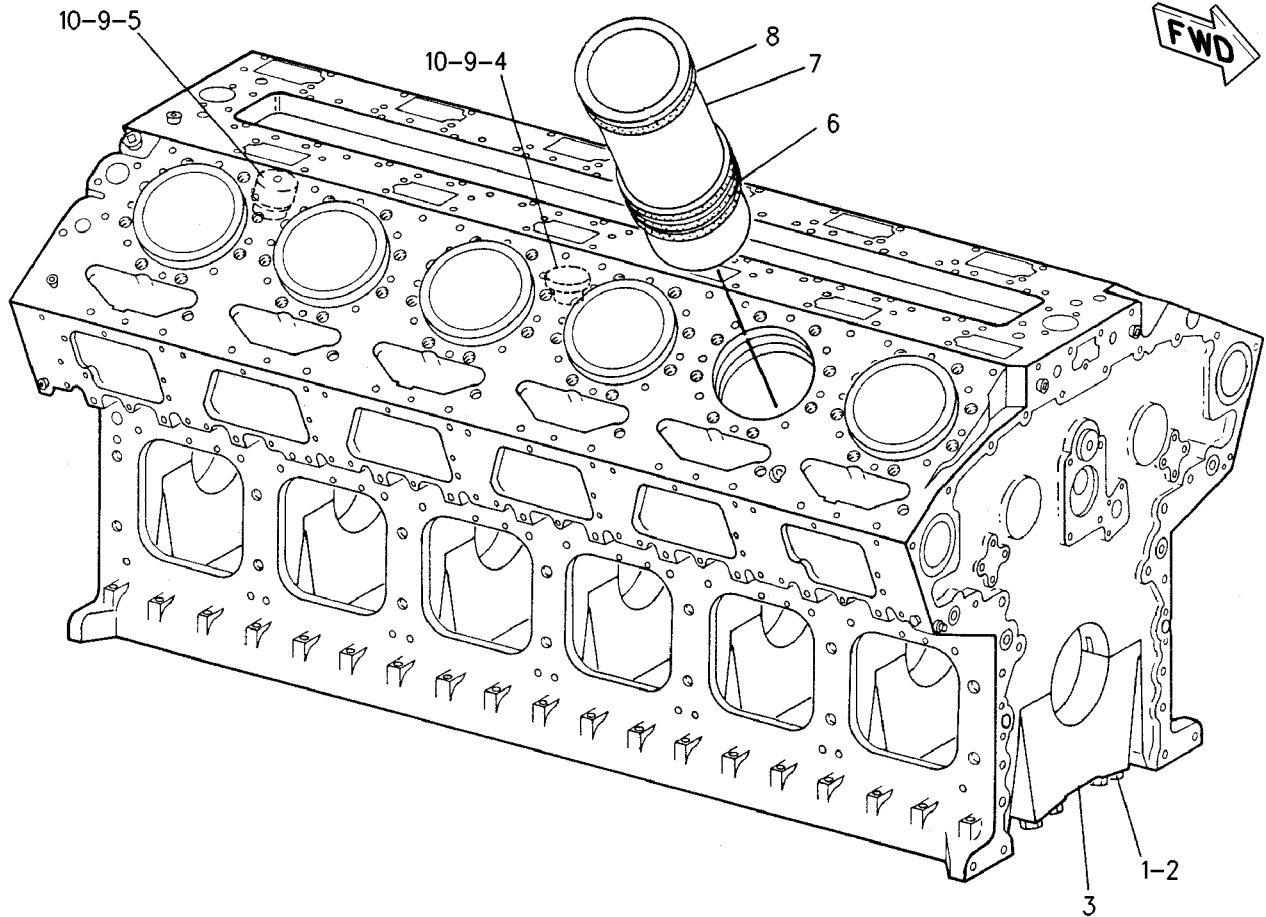
FIELD REPLACEMENT ORDER 2W-8245-PAGE: 139, 7C-6957-PAGE: 144

PART OF 2W-2944 CYLINDER BLOCK GP

SMCS-1201

i01798517

NOTE	REF NO	GRAPHIC REF	PART NUMBER	QTY	PART NAME						SEE PAGE
					1	2	3	4	5	6 (PRODUCT LEVEL)	
	1	1	<b>5P-8288</b>	28	BOLT (3/4-16X11-IN)						
	2	1	<b>5P-8248</b>	28	WASHER-HARD (20X36.5X3.5-MM THK)						
	3	1	<b>9Y-6422</b>	7	CAP-CRANKSHAFT BEARING						
	4	1	<b>4W-4813</b>	2	PLUG						
	5	1	<b>4W-4814</b>	1	ADAPTER						
	6	1	<b>7N-2046</b>	36	SEAL-O-RING						
	7	1	<b>8N-6861</b>	12	LINER-CYLINDER BLOCK						
	8	1	<b>8N-4707</b>	12	BAND-FILLER						
	9	1	<b>8T-2929</b>	3	SEAL-O-RING (LARGE)						
	10	1	<b>8T-2928</b>	3	SEAL-O-RING (SMALL)						



GRAPHIC #1

<END>

g00922064

# BASIC ENGINE

## 350-1413 CYLINDER BLOCK AS

S/N: 50Y647-1304

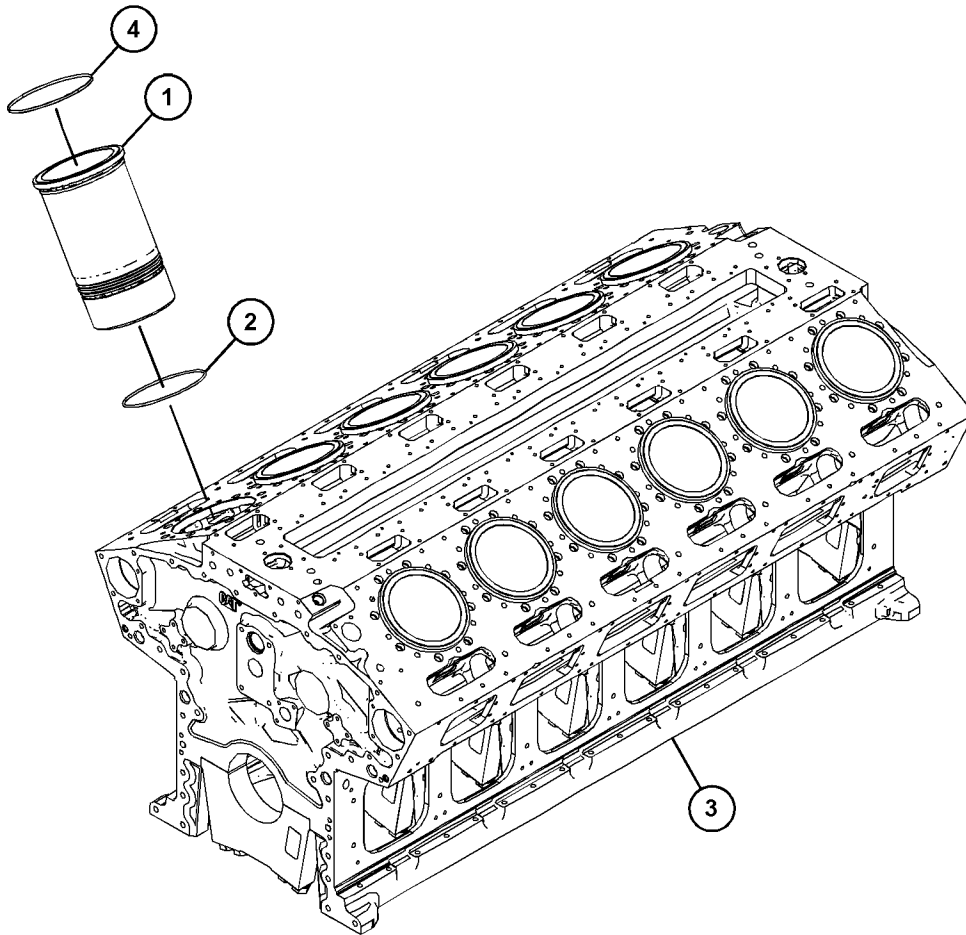
FIELD REPLACEMENT ORDER 36- 7N-2046 SEAL-O-RING, 12-211-7826 LINER-CYLINDER  
BLOCK, 12-352-6061 SEAL-LINER  
PART OF 240-6651 CYLINDER BLOCK GP

SMCS-1201

i07192009

NOTE	REF NO	GRAPHIC REF	PART NUMBER	QTY	PART NAME						SEE PAGE
					1	2	3	4	5	6	
	1	1	<b>211-7826</b>	12	LINER-CYLINDER BLOCK						
	2	1	<b>7N-2046</b>	36	SEAL-O-RING						
Y	3	1	<i>525-1801</i>	1	CYLINDER BLOCK AS						121
	4	1	<b>352-6061</b>	12	SEAL-LINER						

Y - SEPARATE ILLUSTRATION



GRAPHIC #1

<END>

g06257700

# BASIC ENGINE

## 525-1801 CYLINDER BLOCK AS

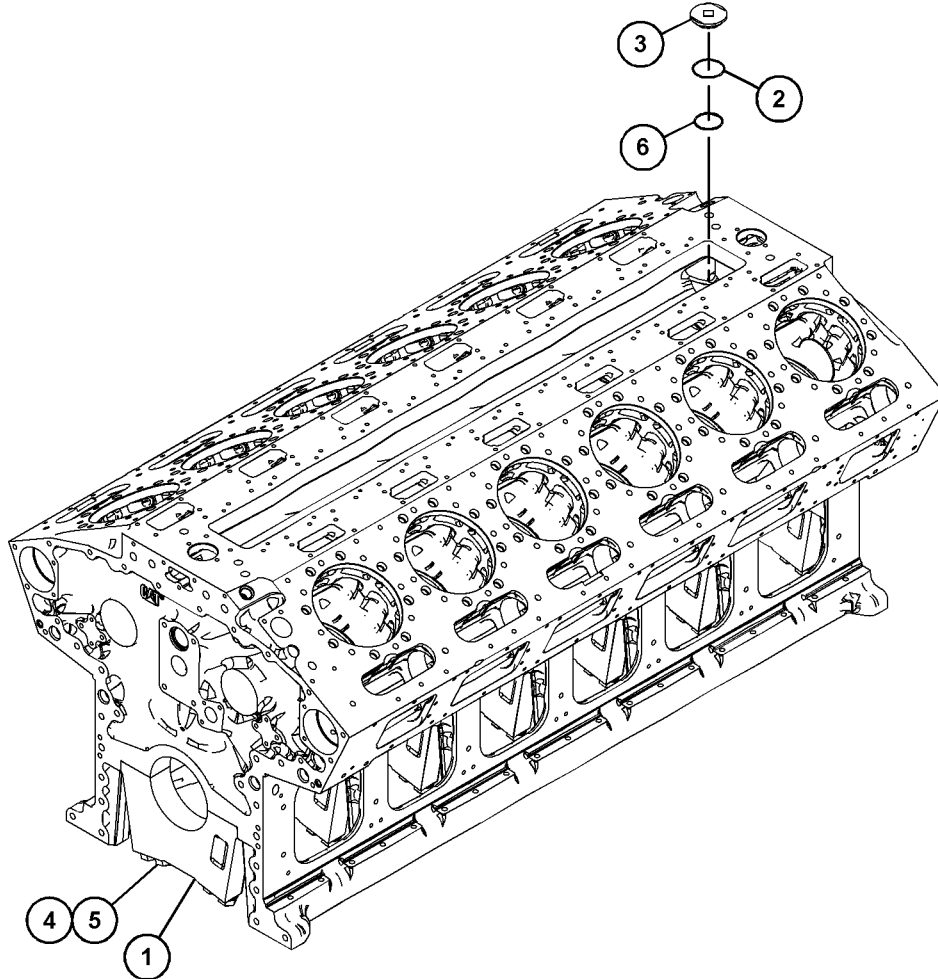
S/N: 50Y647-1304

PART OF 350-1413 CYLINDER BLOCK AS

SMCS-1201

i07090265

NOTE	REF NO	GRAPHIC REF	PART NUMBER	QTY	PART NAME						SEE PAGE
					1	2	3	4	5	6 (PRODUCT LEVEL)	
	1	1	<b>223-1696</b>	7	CAP-CRANKSHAFT BEARING						
	2	1	<b>8T-2929</b>	3	SEAL-O-RING						
	3	1	<b>4W-4813</b>	3	PLUG						
	4	1	<b>5P-8249</b>	28	WASHER-HARD (24X41.5X4-MM THK)						
	5	1	<b>7X-7925</b>	28	BOLT (7/8-14X11-IN)						
	6	1	<b>8T-2928</b>	3	SEAL-O-RING						



GRAPHIC #1

<END>

g06225882

# BASIC ENGINE

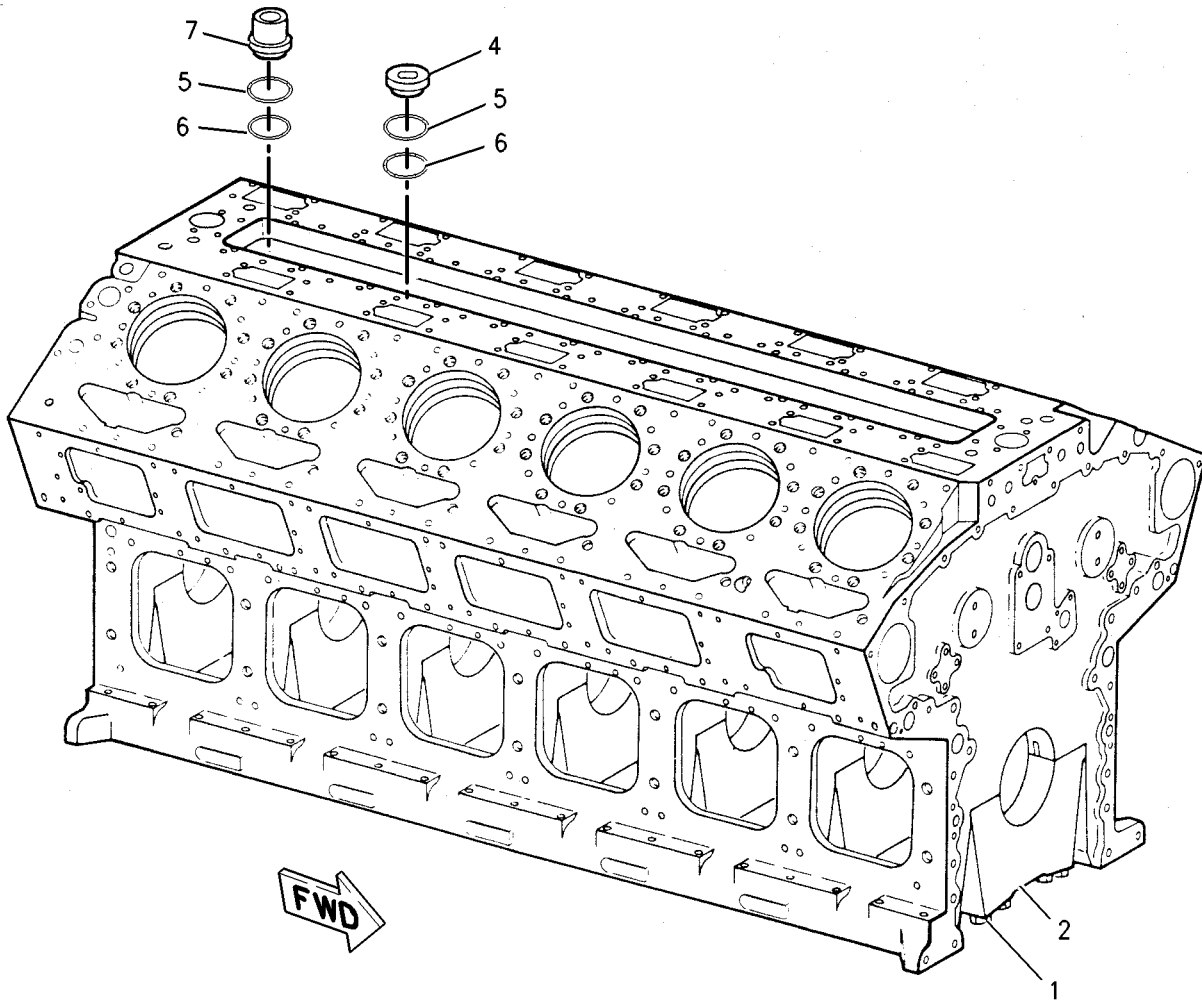
## 7C-6956 CYLINDER BLOCK AS

S/N: 50Y723-1304; 66Z245-578  
PART OF 7C-6957 CYLINDER BLOCK GP

SMCS-1201

i01798519

NOTE	REF NO	GRAPHIC REF	PART NUMBER	QTY	PART NAME						SEE PAGE
					1	2	3	4	5	6	
	1	1	<b>5P-8288</b>	28	BOLT (3/4-16X11-IN)						
	2	1	<b>5P-8248</b>	28	WASHER-HARD (20X36.5X3.5-MM THK)						
	3	1	<b>9Y-6422</b>	7	CAP-CRANKSHAFT BEARING						
	4	1	<b>4W-4813</b>	2	PLUG						
	5	1	<b>8T-2929</b>	3	SEAL-O-RING						
	6	1	<b>8T-2928</b>	3	SEAL-O-RING						
	7	1	<b>4W-4814</b>	1	ADAPTER						



GRAPHIC #1

<END>

g00921992

# BASIC ENGINE

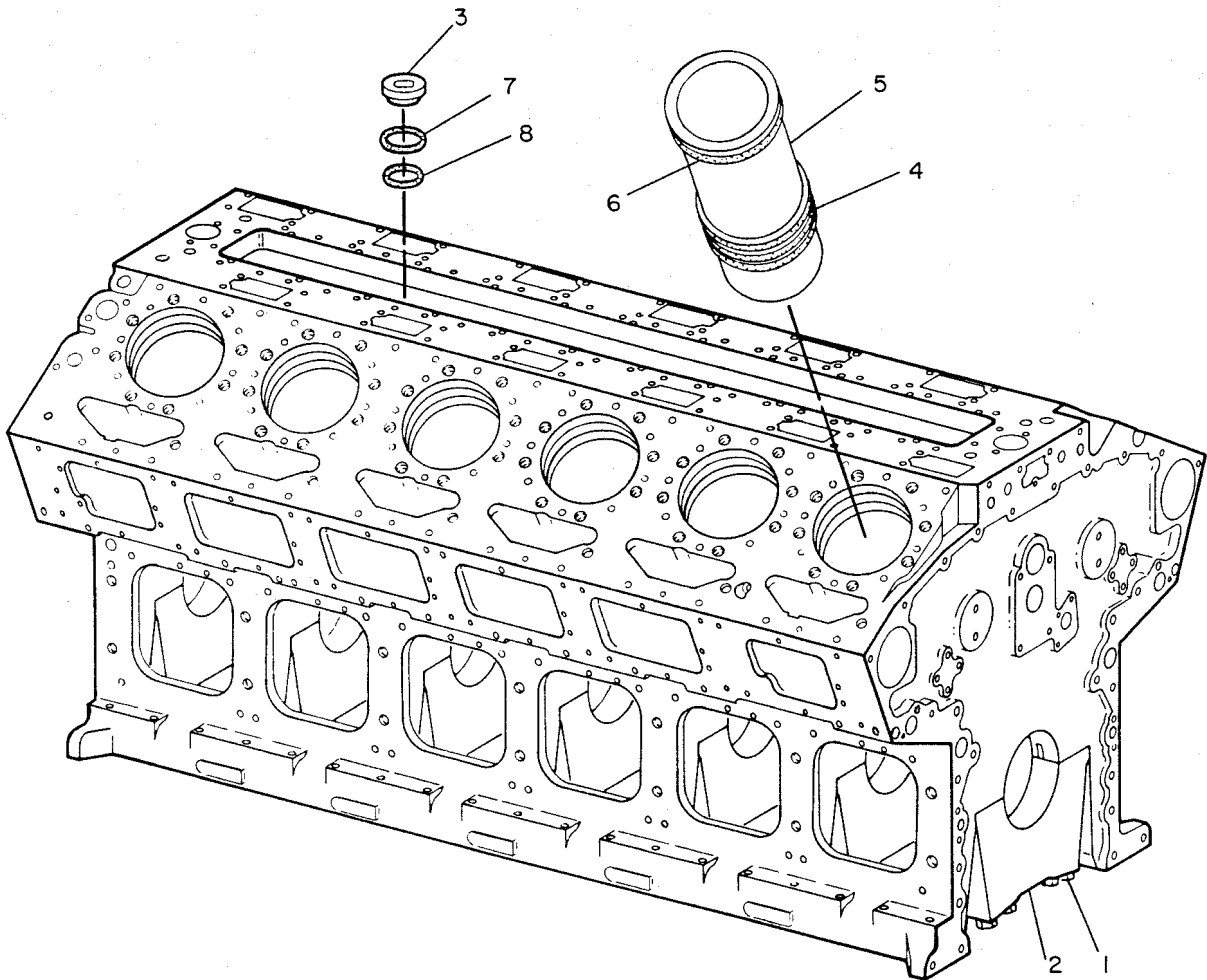
## 7E-4940 CYLINDER BLOCK AS

S/N: 50Y835-1164; 66Z355-526  
 FIELD REPLACEMENT ORDER 4P-7263-PAGE: 143  
 PART OF 2W-2944 CYLINDER BLOCK GP

SMCS-1201

i00112950

NOTE	REF NO	GRAPHIC REF	PART NUMBER	QTY	PART NAME						SEE PAGE
					1	2	3	4	5	6 (PRODUCT LEVEL)	
	1	1	<b>7X-7925</b>	28	BOLT (7/8-14X11-IN)						
		1	<b>5P-8249</b>	28	WASHER-HARD (24X41.5X4-MM THK)						
	2	1	<b>9Y-9175</b>	7	CAP-CRANKSHAFT BEARING						
	3	1	<b>4W-4813</b>	2	PLUG						
	4	1	<b>7N-2046</b>	36	SEAL-O-RING						
	5	1	<b>8N-6861</b>	12	LINER-CYLINDER BLOCK						
	6	1	<b>8N-4707</b>	12	BAND-FILLER						
	7	1	<b>8T-2929</b>	2	SEAL-O-RING						
	8	1	<b>8T-2928</b>	2	SEAL-O-RING						



GRAPHIC #1

<END>

g00082074

# BASIC ENGINE

## 9Y-9594 CYLINDER BLOCK AS

S/N: 50Y792-834; 66Z306-354

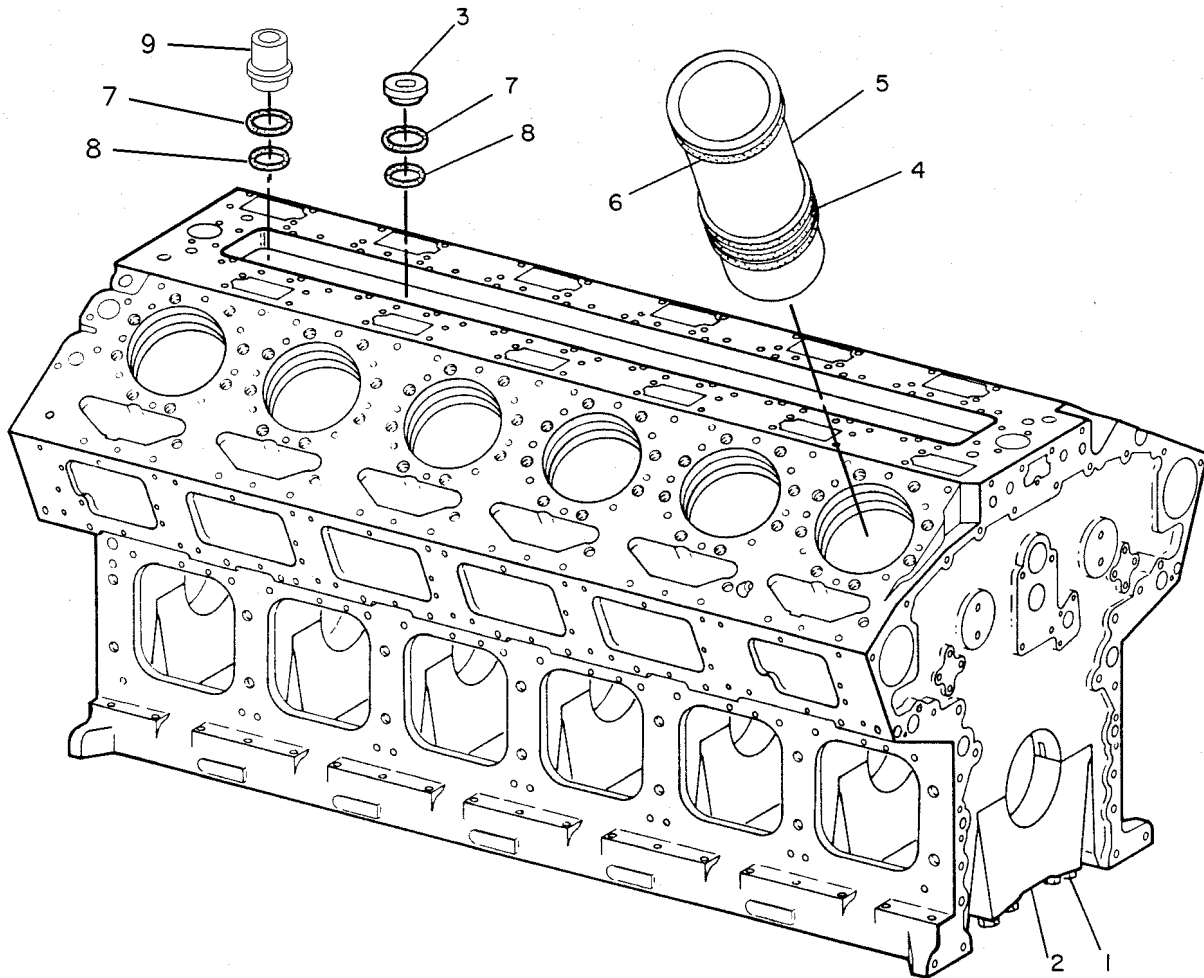
FIELD REPLACEMENT ORDER 7C-6957 CYLINDER BLOCK GP

PART OF 2W-2944 CYLINDER BLOCK GP

SMCS-1201

i00119565

NOTE	REF NO	GRAPHIC REF	PART NUMBER	QTY	PART NAME						SEE PAGE
					1	2	3	4	5	6	
	1	1	<b>7X-7925</b>	28	BOLT (7/8-14X11-IN)						
		1	<b>5P-8249</b>	28	WASHER-HARD (24X41.5X4-MM THK)						
	2	1	<b>9Y-9175</b>	7	CAP-CRANKSHAFT BEARING						
	3	1	<b>4W-4813</b>	2	PLUG						
	4	1	<b>7N-2046</b>	36	SEAL-O-RING						
	5	1	<b>8N-6861</b>	12	LINER-CYLINDER BLOCK						
	6	1	<b>8N-4707</b>	12	BAND-FILLER						
	7	1	<b>8T-2929</b>	3	SEAL-O-RING						
	8	1	<b>8T-2928</b>	3	SEAL-O-RING						
	9	1	<b>4W-4814</b>	1	ADAPTER						



GRAPHIC #1

<END>

g00099528

# BASIC ENGINE

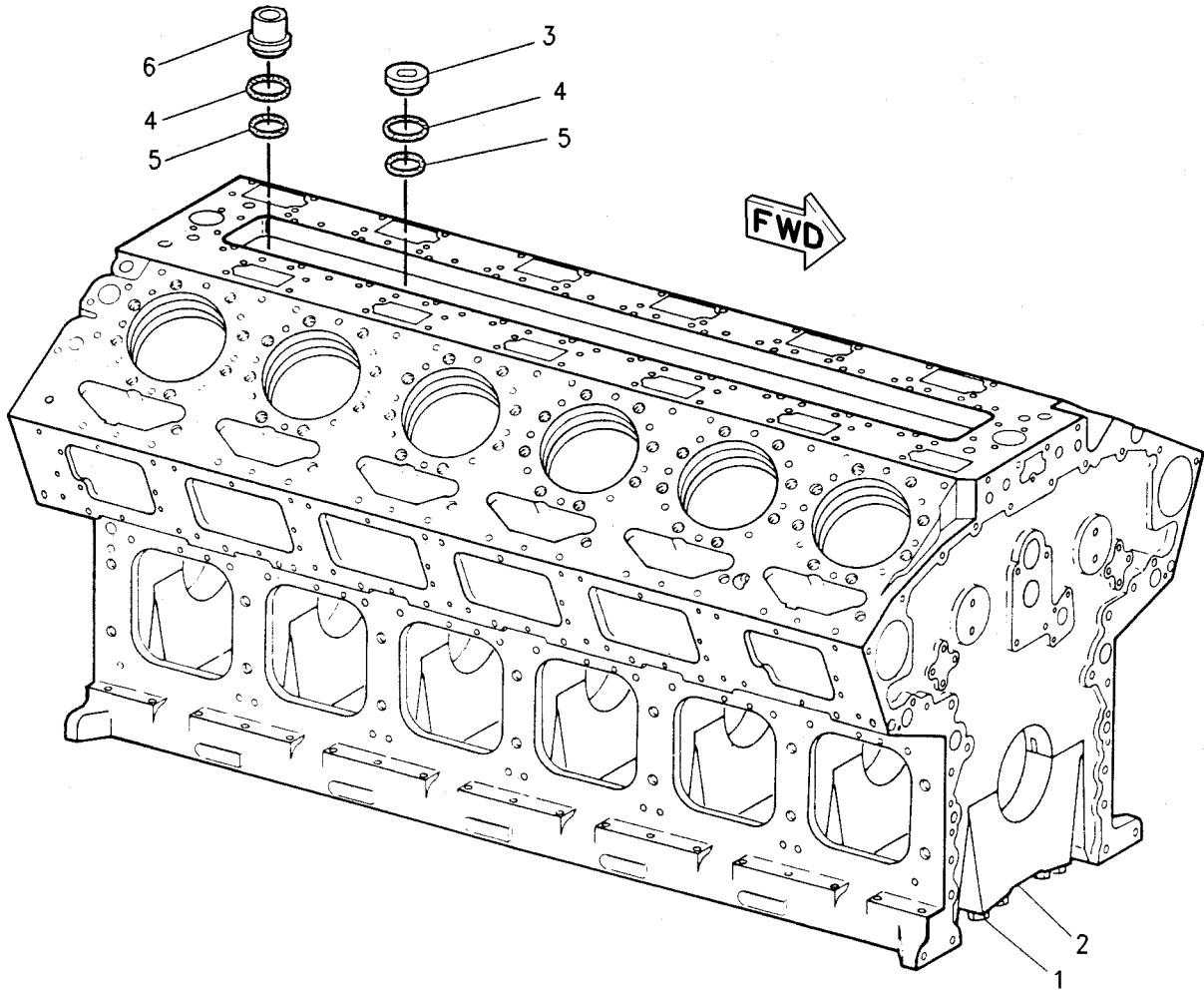
## 9Y-9598 CYLINDER BLOCK AS

S/N: 50Y723-1304; 66Z245-578  
PART OF 7C-6957 CYLINDER BLOCK GP

SMCS-1201

i01798520

NOTE	REF NO	GRAPHIC REF	PART NUMBER	QTY	PART NAME						SEE PAGE
					1	2	3	4	5	6 (PRODUCT LEVEL)	
	1	1	<b>7X-7925</b>	28	BOLT (7/8-14X11-IN)						
		1	<b>5P-8249</b>	28	WASHER-HARD (24X41.5X4-MM THK)						
	2	1	<b>9Y-9175</b>	7	CAP-CRANKSHAFT BEARING						
	3	1	<b>4W-4813</b>	2	PLUG						
	4	1	<b>8T-2929</b>	3	SEAL-O-RING						
	5	1	<b>8T-2928</b>	3	SEAL-O-RING						
	6	1	<b>4W-4814</b>	1	ADAPTER						



GRAPHIC #1

<END>

g00920966

# BASIC ENGINE

## 101-1244 CYLINDER BLOCK GP

S/N: 50Y1165-1304

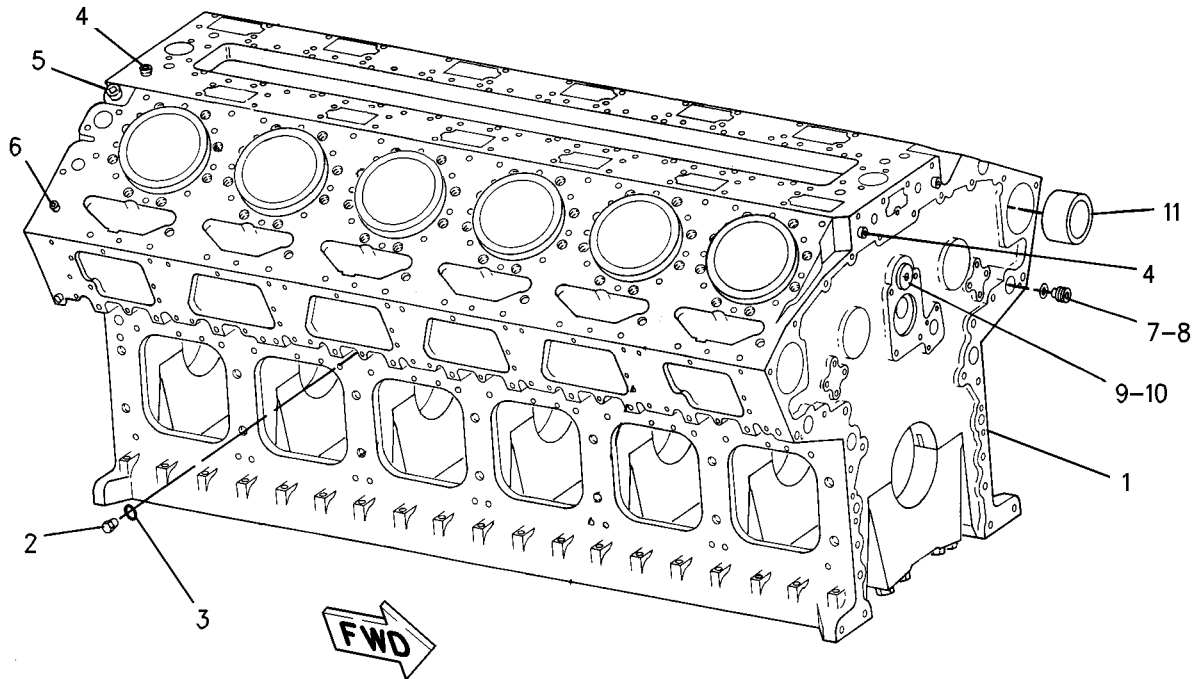
FIELD REPLACEMENT FOR 101-1227—PAGE: 116  
FIELD INSTALLATION

SMCS-1201

i01784877

NOTE	REF NO	GRAPHIC REF	PART NUMBER	QTY	PART NAME						SEE PAGE
					1	2	3	4	5	6 (PRODUCT LEVEL)	
Y	1	1	101-1241	1	CYLINDER BLOCK AS						117
	2	1	9S-4191	6	PLUG (9/16-18-THD)						
	3	1	033-6042	6	SEAL-O-RING						
	4	1	2B-0858	4	PLUG-PIPE						
	5	1	1B-5174	2	PLUG-PIPE						
	6	1	7H-3171	22	PLUG-PIPE						
	7	1	2W-2940	8	PLUG						
	8	1	6V-3348	8	SEAL-O-RING						
	9	1	7N-5641	2	PLUG-MANIFOLD						
	10	1	5F-9657	4	SEAL-O-RING						
	11	1	7N-2048	14	BEARING-CAMSHAFT						

Y - SEPARATE ILLUSTRATION



GRAPHIC #1

<END>

g00913083



# BASIC ENGINE

## 240-6651 CYLINDER BLOCK GP

S/N: 50Y647-1304

PART OF 357-0858, 376-4849 ENGINE AR-COMplete

SMCS-1201

i05432089

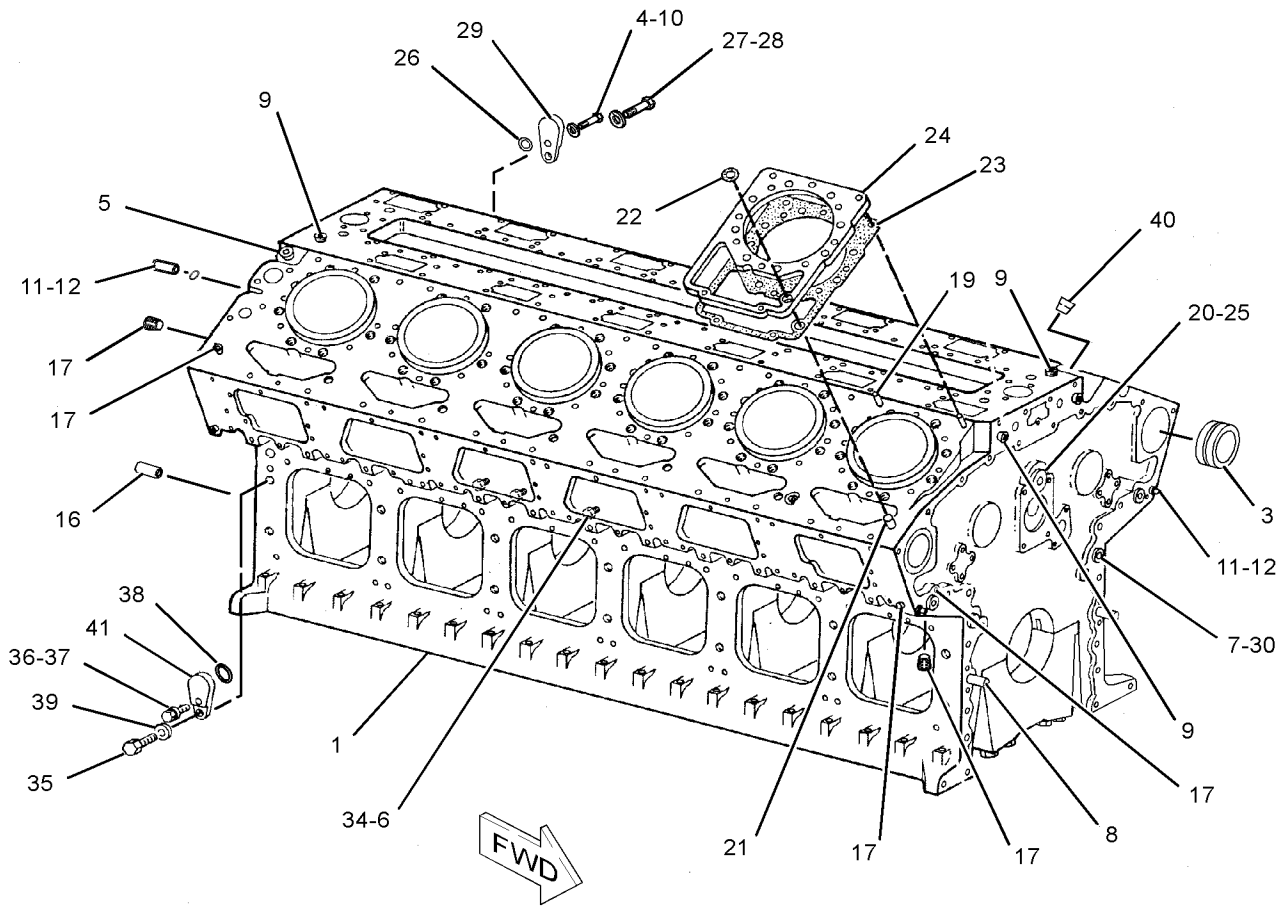
NOTE	REF NO	GRAPHIC REF	PART NUMBER	QTY	PART NAME						SEE PAGE
					1	2	3	4	5	6 (PRODUCT LEVEL)	
CY	1	1	350-1413	1	CYLINDER BLOCK AS						120
	3	1	101-1198	14	BEARING-CAMSHAFT						
	4	1	1A-2029	1	BOLT (3/8-16X1.125-IN)						
	5	1	7X-7731	1	PLUG-PIPE (3/4-14-THD)						
	6	1	9S-4191	6	PLUG (9/16-18-THD)						
	7	1	2W-2940	8	PLUG						
	8	1	7N-2044	2	DOWEL						
	9	1	8T-6762	4	PLUG-PIPE (1/2-14-THD)						
	10	1	5M-2894	1	WASHER-HARD (10.2X18.5X2.5-MM THK)						
	11	1	7N-2047	3	DOWEL						
	12	1	7X-4805	3	SEAL-O-RING						
	16	1	4N-0683	2	DOWEL						
	17	1	8T-6763	22	PLUG-PIPE (1/4-18-THD)						
	19	1	8T-0099	24	DOWEL						
	20	1	7N-5641	2	PLUG-MANIFOLD						
	21	1	197-7008	12	DOWEL						
	22	1	5P-0840	24	SEAL-O-RING						
	23	1	144-5692	12	GASKET-PLATE						
	24	1	110-6994	12	PLATE-SPACER						
	25	1	5F-9657	4	SEAL-O-RING						
	26	1	5P-8210	1	SEAL-O-RING						
	27	1	0S-1595	1	BOLT (1/2-13X1.25-IN)						
	28	1	5P-8245	1	WASHER-HARD (13.5X25.5X3-MM THK)						
	29	1	8N-8056	1	COVER						
	30	1	6V-3348	8	SEAL-O-RING						
	34	1	214-7568	6	SEAL-O-RING						
B	35	1	0S-1595	1	BOLT (1/2-13X1.25-IN)						
B	36	1	1A-2029	1	BOLT (3/8-16X1.125-IN)						
B	37	1	5M-2894	1	WASHER-HARD (10.2X18.5X2.5-MM THK)						
B	38	1	5P-8210	1	SEAL-O-RING						
B	39	1	5P-8245	1	WASHER-HARD (13.5X25.5X3-MM THK)						
B	40	1	7X-7731	1	PLUG-PIPE (3/4-14-THD)						
B	41	1	8N-8056	1	COVER						

B - USE AS REQUIRED  
 C - CHANGE FROM PREVIOUS TYPE  
 Y - SEPARATE ILLUSTRATION

# BASIC ENGINE

240-6651 CYLINDER BLOCK GP (contd.)

i05432089



GRAPHIC #1

<END>

g01260443

# BASIC ENGINE

## 2W-2944 CYLINDER BLOCK GP

S/N: 50Y647-791; 66Z190-305

SMCS-1201

i01798521

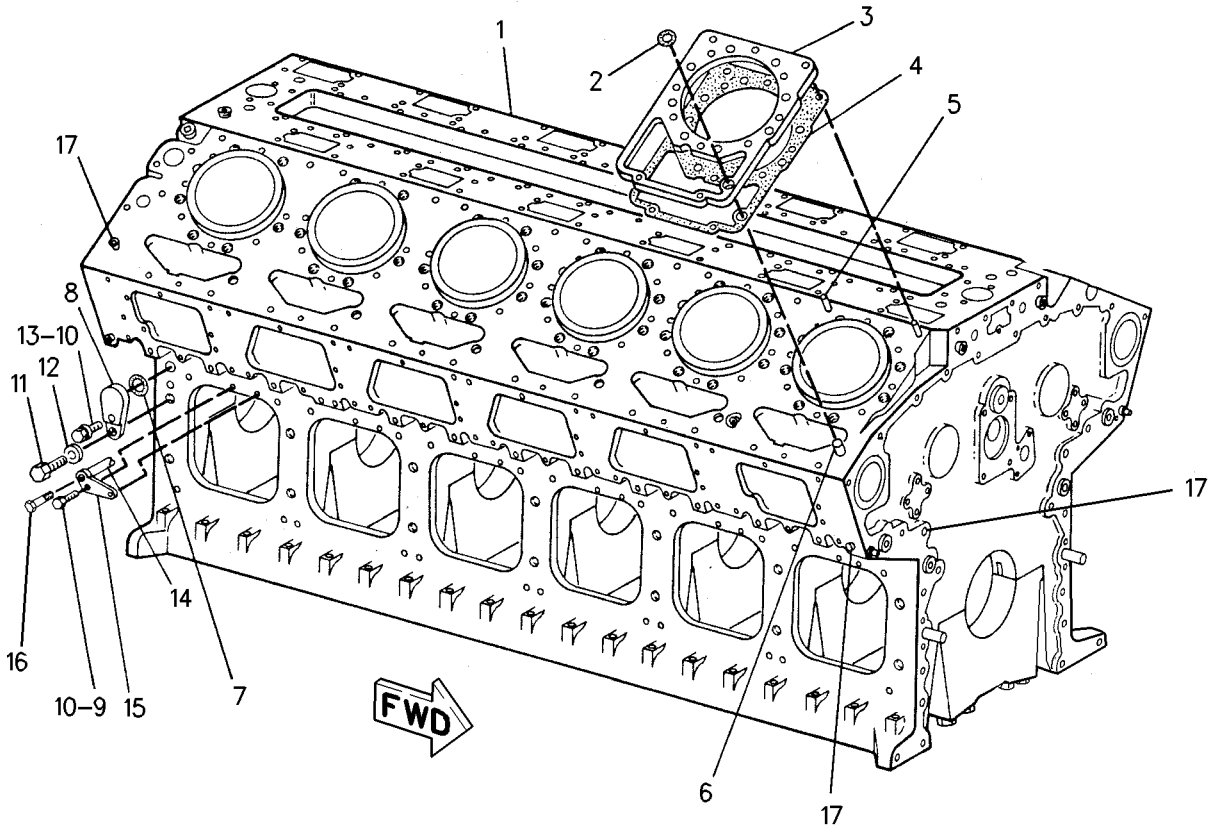
NOTE	REF NO	GRAPHIC REF	PART NUMBER	QTY	PART NAME						SEE PAGE
					1	2	3	4	5	6 (PRODUCT LEVEL)	
Y	1	1	2W-2943	1	CYLINDER BLOCK AS						118
	2	1	2M-4453	24	SEAL-O-RING						
	3	1	8N-6864	12	PLATE-SPACER						
	4	1	7N-2038	12	GASKET-PLATE						
	5	1	8T-0099	24	DOWEL						
	6	1	7N-2049	12	DOWEL						
	7	1	6F-6673	2	SEAL-O-RING						
	8	1	8N-8056	2	COVER						
	9	1	0T-0102	12	BOLT (3/8-16X0.625-IN)						
	10	1	5M-2894	14	WASHER-HARD (10.2X18.5X2.5-MM THK)						
	11	1	0S-1585	2	BOLT (1/2-13X1.5-IN)						
	12	1	5P-8245	2	WASHER-HARD (13.5X25.5X3-MM THK)						
	13	1	1A-2029	2	BOLT (3/8-16X1.125-IN)						
	14	1	1W-8598	12	JET AS-PISTON COOLING						
					(EACH INCLUDES)						
		1	4D-0514	1	PLUG-PIPE						
	15	1	1W-4188	12	RETAINER AS (FOR USE WITH 1-PC PISTON ONLY)						
	16	1	1B-2790	12	BOLT (5/16-18X1.375-IN)						
		1	9M-1974	12	WASHER-HARD (8.8X16X2-MM THK)						
	17	1	7H-3171	24	PLUG-PIPE						
	18	2	4N-0683	2	DOWEL						
	19	2	7N-2044	2	DOWEL						
	20	2	7N-2047	3	DOWEL						
	21	2	2J-6274	3	SEAL-O-RING						
	22	2	7N-2048	14	BEARING-CAMSHAFT						
	23	2	1B-5174	2	PLUG-PIPE						
	24	2	2B-0858	3	PLUG-PIPE						
	25	2	5M-6213	6	PLUG-PIPE (1/4-18-THD)						
	26	2	2W-2940	8	PLUG						
	27	2	7N-5641	2	PLUG-MANIFOLD						
	28	2	5F-9657	4	SEAL-O-RING						
	29	2	6V-3348	8	SEAL-O-RING						

Y - SEPARATE ILLUSTRATION

# BASIC ENGINE

2W-2944 CYLINDER BLOCK GP (contd.)

i01798521



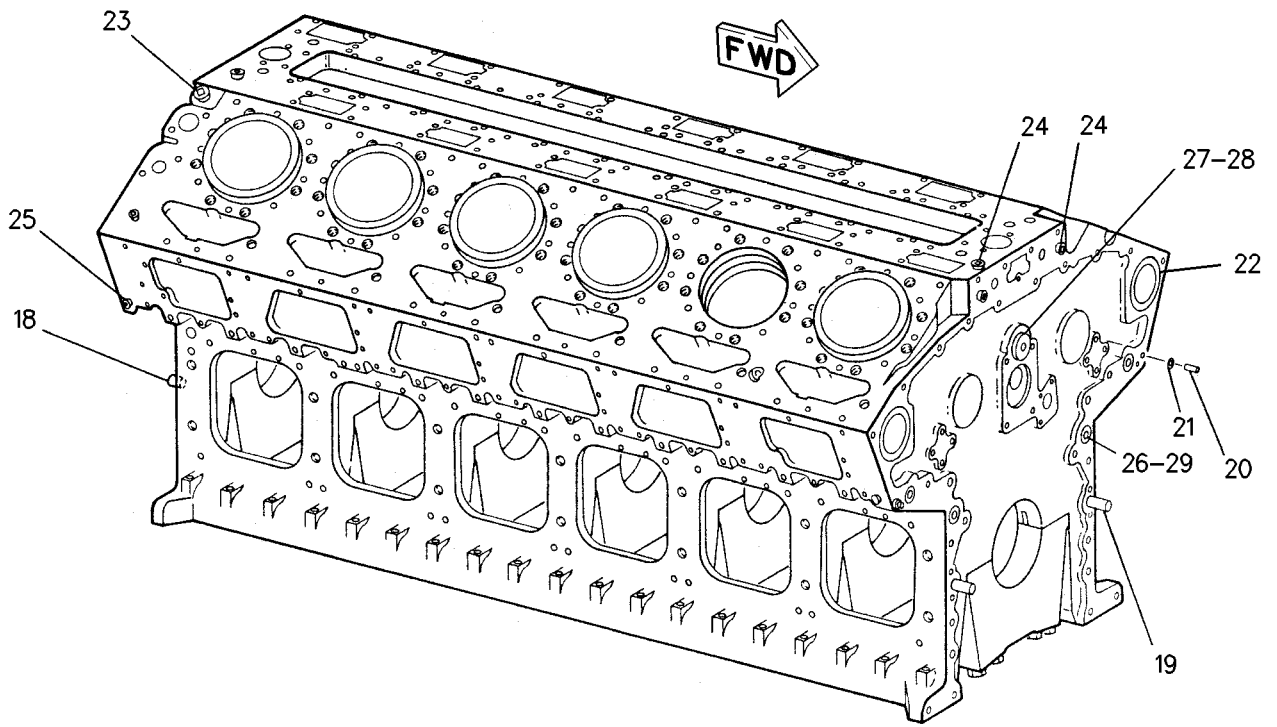
GRAPHIC #1

g00921000

# BASIC ENGINE

2W-2944 CYLINDER BLOCK GP (contd.)

i01798521



GRAPHIC #2

<END>

g00920994

# BASIC ENGINE

## 2W-2944 CYLINDER BLOCK GP

S/N: 50Y792-834; 66Z306-354

SMCS-1201

i00935353

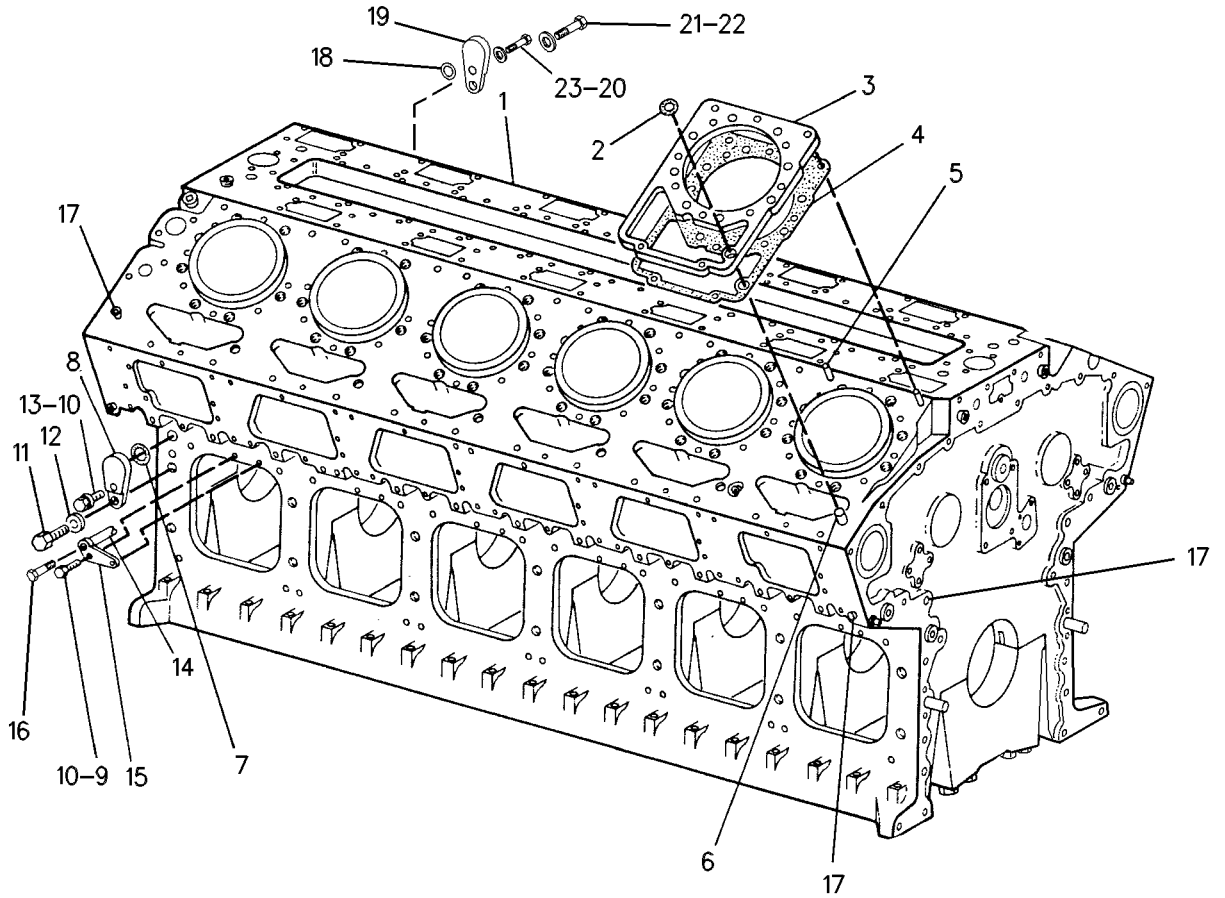
NOTE	REF NO	GRAPHIC REF	PART NUMBER	QTY	PART NAME						SEE PAGE
					1	2	3	4	5	6 (PRODUCT LEVEL)	
CY	1	1	9Y-9594	1	CYLINDER BLOCK AS						124
C	2	1	5P-0840	24	SEAL-O-RING						
C	3	1	9Y-1485	12	PLATE-SPACER						
C	4	1	9Y-1484	12	GASKET-PLATE						
	5	1	8T-0099	24	DOWEL						
	6	1	7N-2049	12	DOWEL						
CB	7	1	5P-8210	1	SEAL-O-RING						
CB	8	1	8N-8056	1	COVER						
	9	1	0T-0102	12	BOLT (3/8-16X0.625-IN)						
CB	10	1	5M-2894	1	WASHER-HARD (10.2X18.5X2.5-MM THK)						
CB	11	1	0S-1585	1	BOLT (1/2-13X1.5-IN)						
CB	12	1	5P-8245	1	WASHER-HARD (13.5X25.5X3-MM THK)						
CB	13	1	1A-2029	1	BOLT (3/8-16X1.125-IN)						
C	14	1	9Y-4121	12	JET AS-PISTON COOLING						
	15	1	1W-4188	12	RETAINER AS (FOR USE WITH 1-PC PISTON ONLY)						
	16	1	1B-2790	12	BOLT (5/16-18X1.375-IN)						
		1	9M-1974	12	WASHER-HARD (8.8X16X2-MM THK)						
	17	1	7H-3171	24	PLUG-PIPE						
	18	1	5P-8210	1	SEAL-O-RING						
	19	1	8N-8056	1	COVER						
	20	1	5M-2894	13	WASHER-HARD (10.2X18.5X2.5-MM THK)						
	21	1	0S-1585	1	BOLT (1/2-13X1.5-IN)						
	22	1	5P-8245	1	WASHER-HARD (13.5X25.5X3-MM THK)						
	23	1	1A-2029	1	BOLT (3/8-16X1.125-IN)						
	24	2	4N-0683	2	DOWEL						
	25	2	7N-2044	2	DOWEL						
	26	2	7N-2047	3	DOWEL						
C	27	2	7X-4805	3	SEAL-O-RING						
	28	2	7N-2048	14	BEARING-CAMSHAFT						
	29	2	1B-5174	2	PLUG-PIPE						
BC	30	2	2B-0858	3	PLUG-PIPE						
	31	2	5M-6213	6	PLUG-PIPE (1/4-18-THD)						
	32	2	2W-2940	8	PLUG						
	33	2	7N-5641	2	PLUG-MANIFOLD						
	34	2	5F-9657	4	SEAL-O-RING						
	35	2	6V-3348	8	SEAL-O-RING						

B - USE AS REQUIRED  
 C - CHANGE FROM PREVIOUS TYPE  
 Y - SEPARATE ILLUSTRATION

# BASIC ENGINE

2W-2944 CYLINDER BLOCK GP (contd.)

i00935353



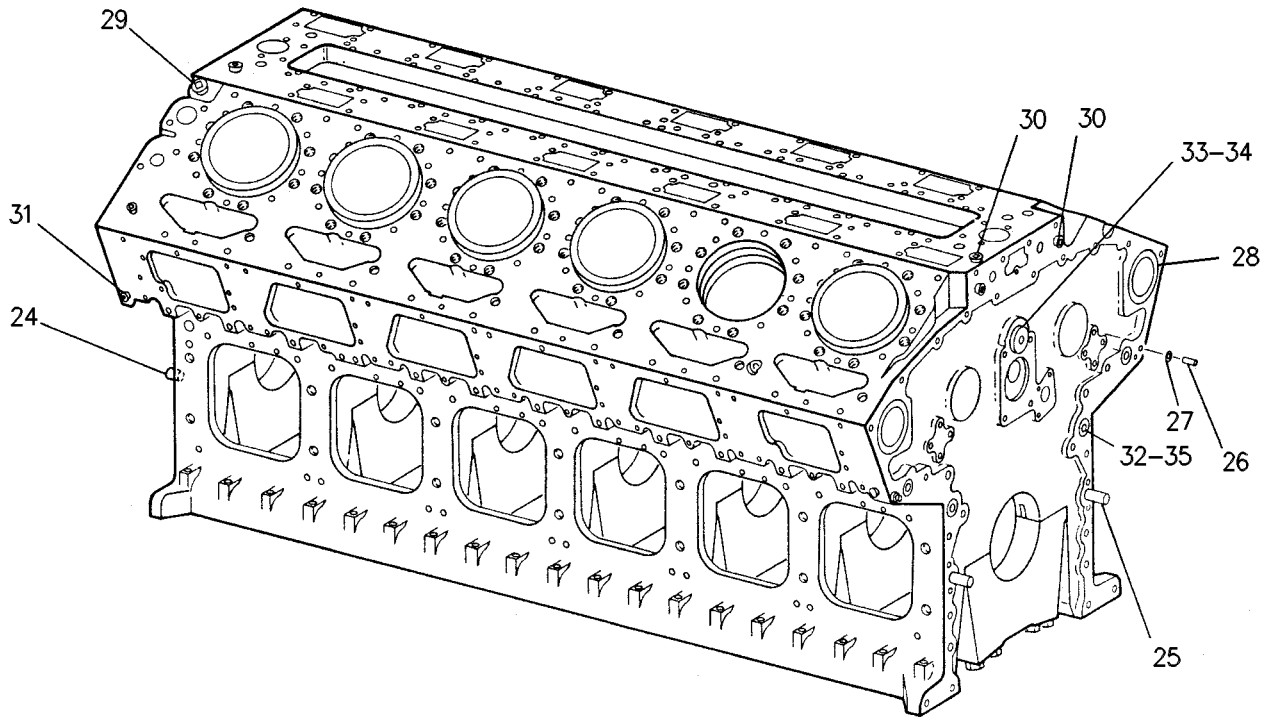
GRAPHIC #1

g00377766

# BASIC ENGINE

2W-2944 CYLINDER BLOCK GP (contd.)

i00935353



GRAPHIC #2

<END>

g0037767



# BASIC ENGINE

## 2W-2944 CYLINDER BLOCK GP

S/N: 50Y835-1164; 66Z355-526

SMCS-1201

i00119386

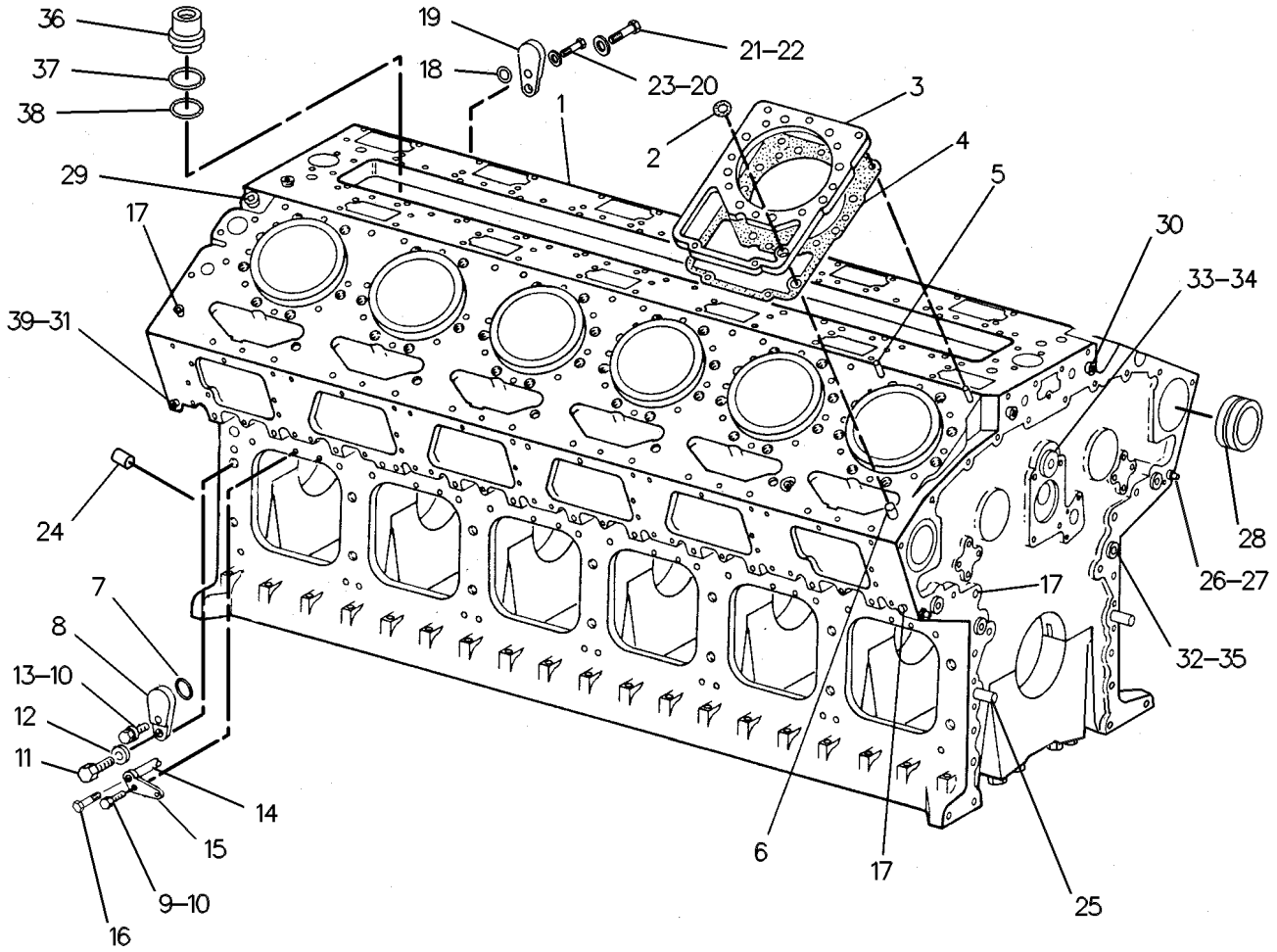
NOTE	REF NO	GRAPHIC REF	PART NUMBER	QTY	PART NAME						SEE PAGE
					1	2	3	4	5	6 (PRODUCT LEVEL)	
CY	1	1	7E-4940	1	CYLINDER BLOCK AS						123
	2	1	5P-0840	24	SEAL-O-RING						
	3	1	9Y-1485	12	PLATE-SPACER						
	4	1	100-7886	12	GASKET-PLATE						
	5	1	8T-0099	24	DOWEL						
	6	1	7N-2049	12	DOWEL						
B	7	1	5P-8210	1	SEAL-O-RING						
B	8	1	8N-8056	1	COVER						
	9	1	0T-0102	12	BOLT (3/8-16X0.625-IN)						
B	10	1	5M-2894	1	WASHER-HARD (10.2X18.5X2.5-MM THK)						
B	11	1	0S-1595	1	BOLT (1/2-13X1.25-IN)						
B	12	1	5P-8245	1	WASHER-HARD (13.5X25.5X3-MM THK)						
B	13	1	1A-2029	1	BOLT (3/8-16X1.125-IN)						
	14	1	9Y-4121	12	JET AS-PISTON COOLING						
	15	1	1W-4188	12	RETAINER AS (FOR USE WITH 1-PC PISTON ONLY)						
	16	1	1B-2790	12	BOLT (5/16-18X1.375-IN)						
		1	9M-1974	12	WASHER-HARD (8.8X16X2-MM THK)						
	17	1	8T-6763	24	PLUG-PIPE (1/4-18-THD)						
	18	1	5P-8210	1	SEAL-O-RING						
	19	1	8N-8056	1	COVER						
	20	1	5M-2894	13	WASHER-HARD (10.2X18.5X2.5-MM THK)						
	21	1	0S-1595	1	BOLT (1/2-13X1.25-IN)						
	22	1	5P-8245	1	WASHER-HARD (13.5X25.5X3-MM THK)						
	23	1	1A-2029	1	BOLT (3/8-16X1.125-IN)						
	24	1	4N-0683	2	DOWEL						
	25	1	7N-2044	2	DOWEL						
	26	1	7N-2047	3	DOWEL						
	27	1	7X-4805	3	SEAL-O-RING						
	28	1	7N-2048	14	BEARING-CAMSHAFT						
	29	1	7X-7731	2	PLUG-PIPE (3/4-14-THD)						
B	30	1	8T-6762	3	PLUG-PIPE (1/2-14-THD)						
C	31	1	9S-4191	6	PLUG (9/16-18-THD)						
	32	1	2W-2940	8	PLUG						
	33	1	7N-5641	2	PLUG-MANIFOLD						
	34	1	5F-9657	4	SEAL-O-RING						
	35	1	6V-3348	8	SEAL-O-RING						
C	36	1	4W-4814	1	ADAPTER						
C	37	1	8T-2929	1	SEAL-O-RING						
C	38	1	8T-2928	1	SEAL-O-RING						
C	39	1	033-6042	6	SEAL-O-RING						

B - USE AS REQUIRED  
 C - CHANGE FROM PREVIOUS TYPE  
 Y - SEPARATE ILLUSTRATION

# BASIC ENGINE

2W-2944 CYLINDER BLOCK GP (contd.)

i00119386



GRAPHIC #1

<END>

g00102471

# BASIC ENGINE

## 2W-2944 CYLINDER BLOCK GP

S/N: 50Y1165-1304; 66Z527-578

SMCS-1201

i00653097

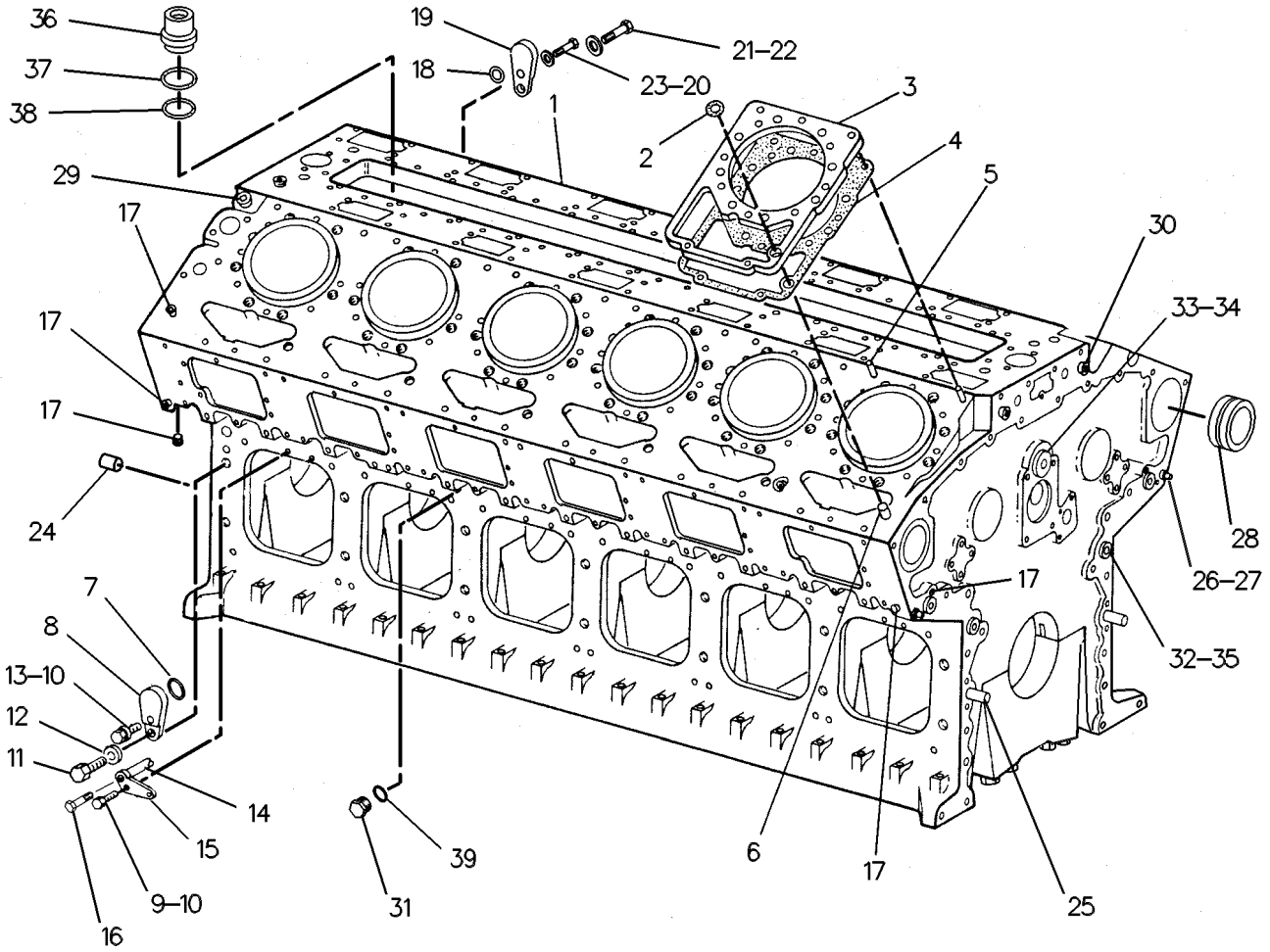
NOTE	REF NO	GRAPHIC REF	PART NUMBER	QTY	PART NAME						SEE PAGE
					1	2	3	4	5	6 (PRODUCT LEVEL)	
CY	1	1	101-1227	1	CYLINDER BLOCK AS						116
	2	1	5P-0840	24	SEAL-O-RING						
	3	1	110-6994	12	PLATE-SPACER						
	4	1	110-6992	12	GASKET-PLATE						
	5	1	8T-0099	24	DOWEL						
	6	1	7N-2049	12	DOWEL						
B	7	1	5P-8210	1	SEAL-O-RING						
B	8	1	8N-8056	1	COVER						
	9	1	0T-0102	12	BOLT (3/8-16X0.625-IN)						
B	10	1	5M-2894	1	WASHER-HARD (10.2X18.5X2.5-MM THK)						
B	11	1	0S-1595	1	BOLT (1/2-13X1.25-IN)						
B	12	1	5P-8245	1	WASHER-HARD (13.5X25.5X3-MM THK)						
B	13	1	1A-2029	1	BOLT (3/8-16X1.125-IN)						
	14	1	9Y-4121	12	JET AS-PISTON COOLING						
	15	1	1W-4188	12	RETAINER AS (FOR USE WITH 1-PC PISTON ONLY)						
	16	1	1B-2790	12	BOLT (5/16-18X1.375-IN)						
		1	9M-1974	12	WASHER-HARD (8.8X16X2-MM THK)						
	17	1	8T-6763	22	PLUG-PIPE (1/4-18-THD)						
	18	1	5P-8210	1	SEAL-O-RING						
	19	1	8N-8056	1	COVER						
	20	1	5M-2894	13	WASHER-HARD (10.2X18.5X2.5-MM THK)						
	21	1	0S-1595	1	BOLT (1/2-13X1.25-IN)						
	22	1	5P-8245	1	WASHER-HARD (13.5X25.5X3-MM THK)						
	23	1	1A-2029	1	BOLT (3/8-16X1.125-IN)						
	24	1	4N-0683	2	DOWEL						
	25	1	7N-2044	2	DOWEL						
	26	1	7N-2047	3	DOWEL						
	27	1	7X-4805	3	SEAL-O-RING						
	28	1	7N-2048	14	BEARING-CAMSHAFT						
	29	1	7X-7731	2	PLUG-PIPE (3/4-14-THD)						
B	30	1	8T-6762	3	PLUG-PIPE (1/2-14-THD)						
	31	1	9S-4191	6	PLUG (9/16-18-THD)						
	32	1	2W-2940	8	PLUG						
	33	1	7N-5641	2	PLUG-MANIFOLD						
	34	1	5F-9657	4	SEAL-O-RING						
	35	1	6V-3348	8	SEAL-O-RING						
	36	1	4W-4814	1	ADAPTER						
	37	1	8T-2929	1	SEAL-O-RING						
	38	1	8T-2928	1	SEAL-O-RING						
	39	1	033-6042	6	SEAL-O-RING						

B - USE AS REQUIRED  
 C - CHANGE FROM PREVIOUS TYPE  
 Y - SEPARATE ILLUSTRATION

# BASIC ENGINE

2W-2944 CYLINDER BLOCK GP (contd.)

i00653097



GRAPHIC #1

<END>

g00252726

# BASIC ENGINE

## 2W-8245 CYLINDER BLOCK GP

FIELD REPLACEMENT FOR 2W-2943-PAGE: 118

REPLACED BY 7C-6957-PAGE: 144

FIELD INSTALLATION

**SMCS-1201**

**i01798524**

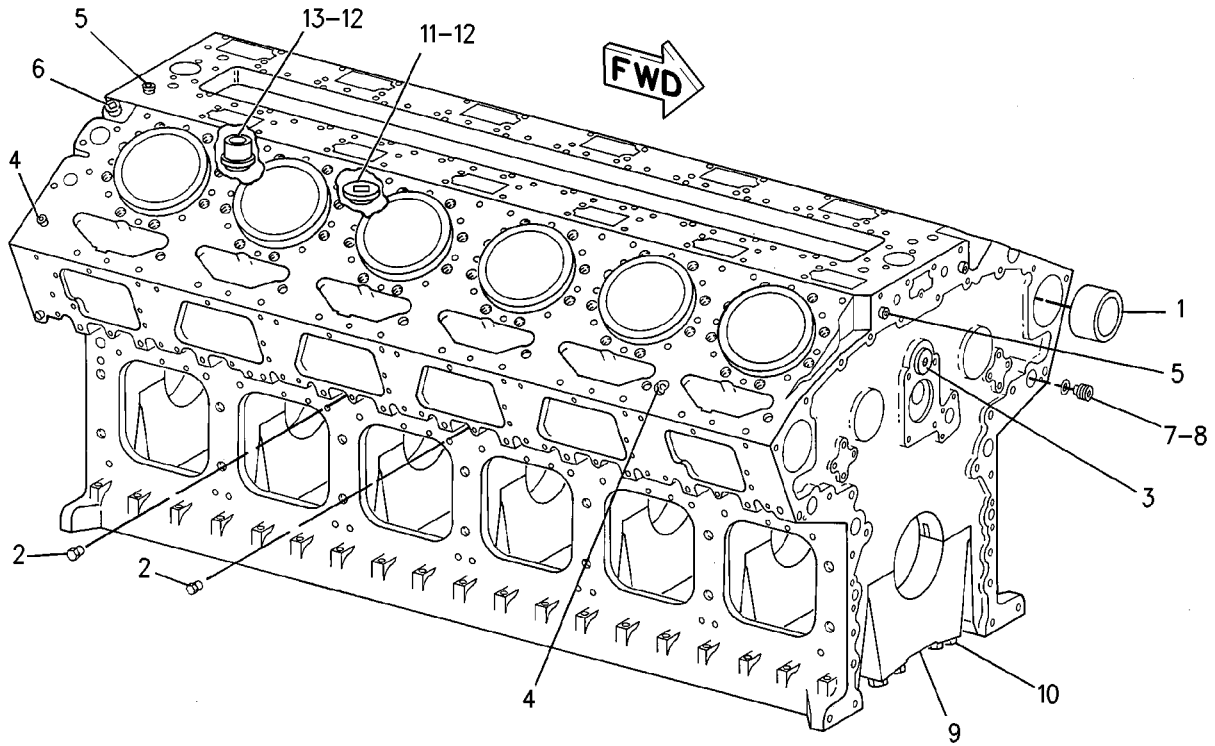
NOTE	REF NO	GRAPHIC REF	PART NUMBER	QTY	PART NAME						SEE PAGE
					1	2	3	4	5	6 (PRODUCT LEVEL)	
	1	1	<b>7N-2048</b>	14	BEARING-CAMSHAFT						
B	2	1	<b>5M-6213</b>	6	PLUG-PIPE (1/4-18-THD)						
	3	1	<b>7N-5641</b>	2	PLUG-MANIFOLD						
		1	<b>5F-9657</b>	4	SEAL-O-RING						
	4	1	<b>7H-3171</b>	24	PLUG-PIPE						
	5	1	<b>2B-0858</b>	4	PLUG-PIPE						
	6	1	<b>1B-5174</b>	2	PLUG-PIPE						
	7	1	<b>2W-2940</b>	8	PLUG						
	8	1	<b>6V-3348</b>	8	SEAL-O-RING						
	9	1	<b>8N-8216</b>	7	CAP-CRANKSHAFT BEARING						
	10	1	<b>5P-8288</b>	28	BOLT (3/4-16X11-IN)						
		1	<b>5P-8248</b>	28	WASHER-HARD (20X36.5X3.5-MM THK)						
	11	1	<b>7N-2042</b>	5	PLUG						
	12	1	<b>8S-0768</b>	6	SEAL-O-RING						
	13	1	<b>1W-5420</b>	1	ADAPTER						

B - USE AS REQUIRED

# BASIC ENGINE

2W-8245 CYLINDER BLOCK GP (contd.)

i01798524



GRAPHIC #1

<END>

g00921009

# BASIC ENGINE

## 2W-8245 CYLINDER BLOCK GP

S/N: 50Y647-722; 66Z190-244

FIELD REPLACEMENT FOR 2W-2943-PAGE: 118

REPLACED BY 7C-6957-PAGE: 144

FIELD INSTALLATION

SMCS-1201

i01308014

NOTE	REF NO	GRAPHIC REF	PART NUMBER	QTY	PART NAME						SEE PAGE
					1	2	3	4	5	6 (PRODUCT LEVEL)	
	1	1	<b>7N-2048</b>	14	BEARING-CAMSHAFT						
B	2	1	<b>5M-6213</b>	6	PLUG-PIPE (1/4-18-THD)						
	3	1	<b>7N-5641</b>	2	PLUG-MANIFOLD						
		1	<b>5F-9657</b>	4	SEAL-O-RING						
	4	1	<b>7H-3171</b>	24	PLUG-PIPE						
	5	1	<b>2B-0858</b>	4	PLUG-PIPE						
	6	1	<b>1B-5174</b>	2	PLUG-PIPE						
	7	1	<b>2W-2940</b>	8	PLUG						
	8	1	<b>6V-3348</b>	8	SEAL-O-RING						
	9	1	<b>8N-8216</b>	7	CAP-CRANKSHAFT BEARING						
	10	1	<b>5P-8288</b>	28	BOLT (3/4-16X11-IN)						
		1	<b>5P-8248</b>	28	WASHER-HARD (20X36.5X3.5-MM THK)						
C	11	1	<b>4W-4813</b>	2	PLUG						
C	12	1	<b>8T-2928</b>	3	SEAL-O-RING						
C		1	<b>8T-2929</b>	3	SEAL-O-RING						
C	13	1	<b>4W-4814</b>	1	ADAPTER						

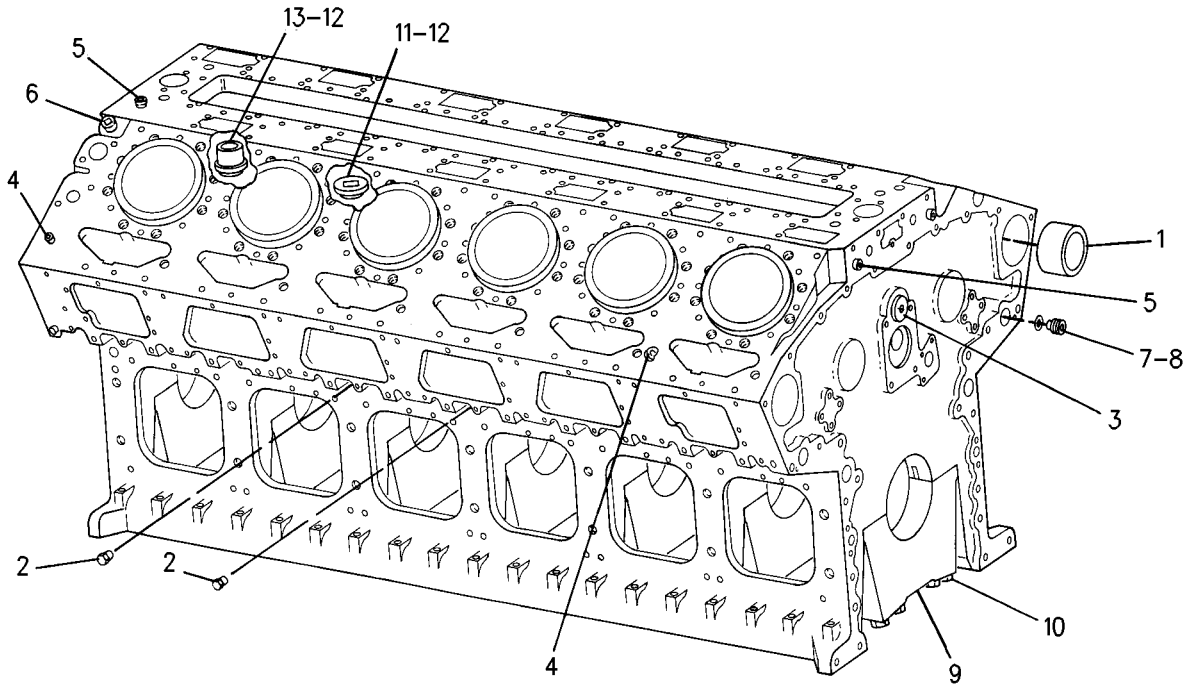
B - USE AS REQUIRED

C - CHANGE FROM PREVIOUS TYPE

# BASIC ENGINE

2W-8245 CYLINDER BLOCK GP (contd.)

i01308014



GRAPHIC #1

<END>

g00695169



# BASIC ENGINE

## 4P-7263 CYLINDER BLOCK GP

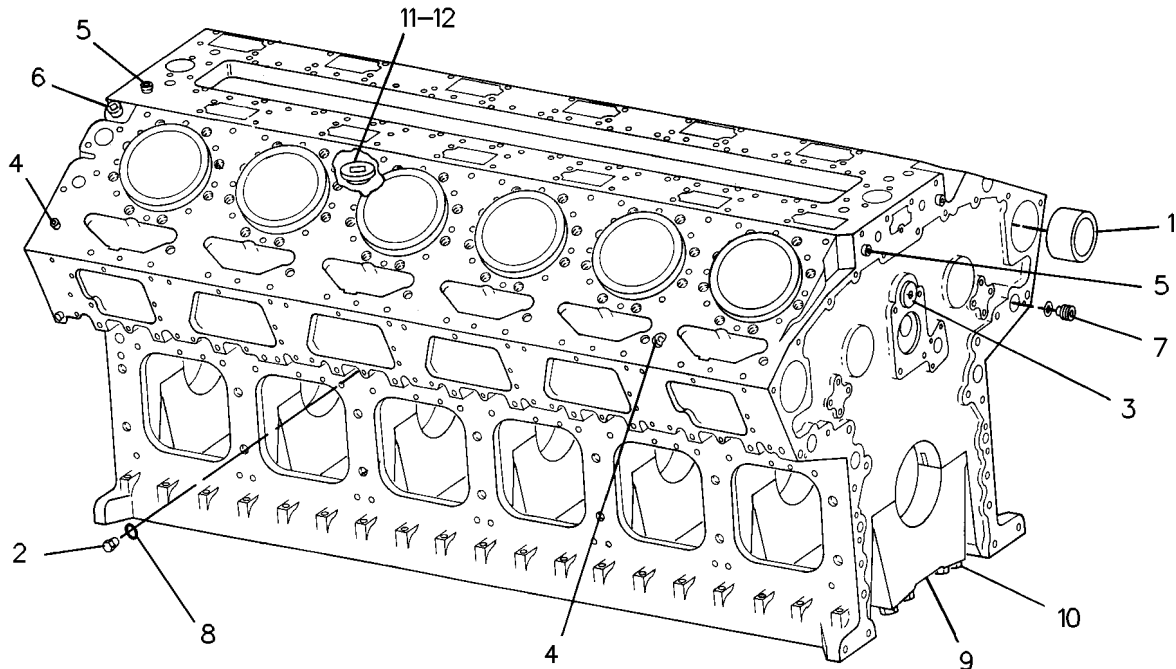
S/N: 50Y835-1304; 66Z355-578

FIELD REPLACEMENT FOR 7E-4940-PAGE: 123

SMCS-1201

i01339239

NOTE	REF NO	GRAPHIC REF	PART NUMBER	QTY	PART NAME						SEE PAGE
					1	2	3	4	5	6	
	1	1	<b>7N-2048</b>	14	BEARING-CAMSHAFT						
	2	1	<b>9S-4191</b>	6	PLUG (9/16-18-THD)						
	3	1	<b>7N-5641</b>	2	PLUG-MANIFOLD						
		1	<b>5F-9657</b>	4	SEAL-O-RING						
	4	1	<b>7H-3171</b>	24	PLUG-PIPE						
	5	1	<b>2B-0858</b>	4	PLUG-PIPE						
	6	1	<b>1B-5174</b>	2	PLUG-PIPE						
	7	1	<b>2W-2940</b>	8	PLUG						
		1	<b>6V-3348</b>	8	SEAL-O-RING						
	8	1	<b>033-6042</b>	6	SEAL-O-RING						
	9	1	<b>9Y-9175</b>	7	CAP-CRANKSHAFT BEARING						
	10	1	<b>7X-7925</b>	28	BOLT (7/8-14X11-IN)						
		1	<b>5P-8249</b>	28	WASHER-HARD (24X41.5X4-MM THK)						
	11	1	<b>4W-4813</b>	2	PLUG						
	12	1	<b>8T-2928</b>	2	SEAL-O-RING						
		1	<b>8T-2929</b>	2	SEAL-O-RING						



GRAPHIC #1

<END>

g00083222

# BASIC ENGINE

## 7C-6957 CYLINDER BLOCK GP

S/N: 50Y723-1304; 66Z245-578

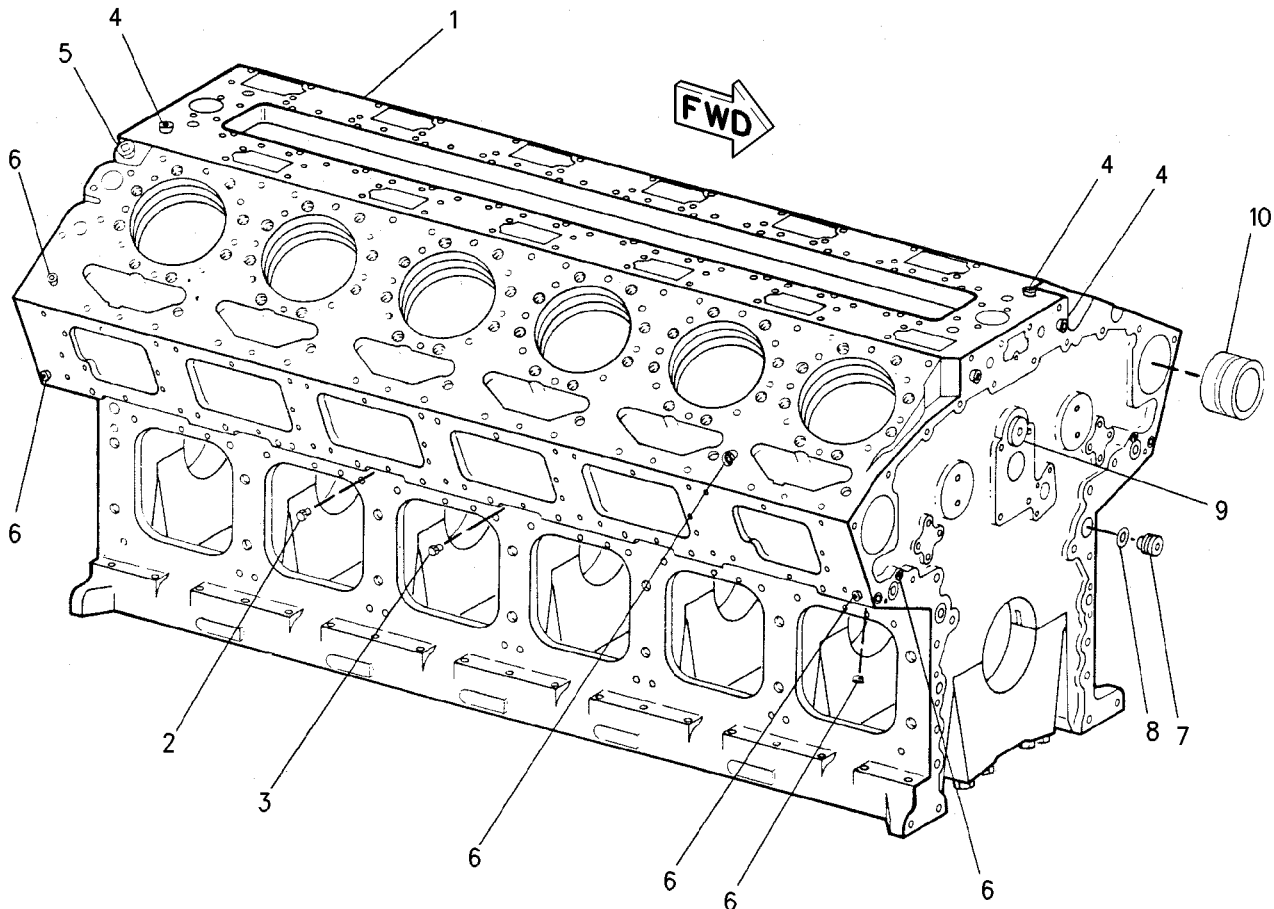
FIELD REPLACEMENT FOR 2W-2943-PAGE: 118, 9Y-9594-PAGE: 124  
FIELD INSTALLATION

SMCS-1201

i01798525

NOTE	REF NO	GRAPHIC REF	PART NUMBER	QTY	PART NAME						SEE PAGE
					1	2	3	4	5	6 (PRODUCT LEVEL)	
Y	1	1	7C-6956	1	CYLINDER BLOCK AS						122
	2	1	5M-6213	5	PLUG-PIPE (1/4-18-THD) (.25IN PIPE THD) (HEX HEAD)						
B	3	1	5M-6213	1	PLUG-PIPE (1/4-18-THD)						
	4	1	2B-0858	4	PLUG-PIPE						
	5	1	1B-5174	2	PLUG-PIPE						
	6	1	7H-3171	24	PLUG-PIPE (HEX-COUNTERSUNK)						
	7	1	2W-2940	8	PLUG						
	8	1	6V-3348	8	SEAL-O-RING						
	9	1	7N-5641	2	PLUG-MANIFOLD						
		1	5F-9657	4	SEAL-O-RING						
10	1	7N-2048	14	BEARING-CAMSHAFT							

B - USE AS REQUIRED  
Y - SEPARATE ILLUSTRATION



GRAPHIC #1

<END>

g00921012

# BASIC ENGINE

## 7C-6957 CYLINDER BLOCK GP

S/N: 50Y792-834; 66Z306-354

FIELD REPLACEMENT FOR 2W-2943-PAGE: 118, 9Y-9594-PAGE: 124

SMCS-1201

i02395438

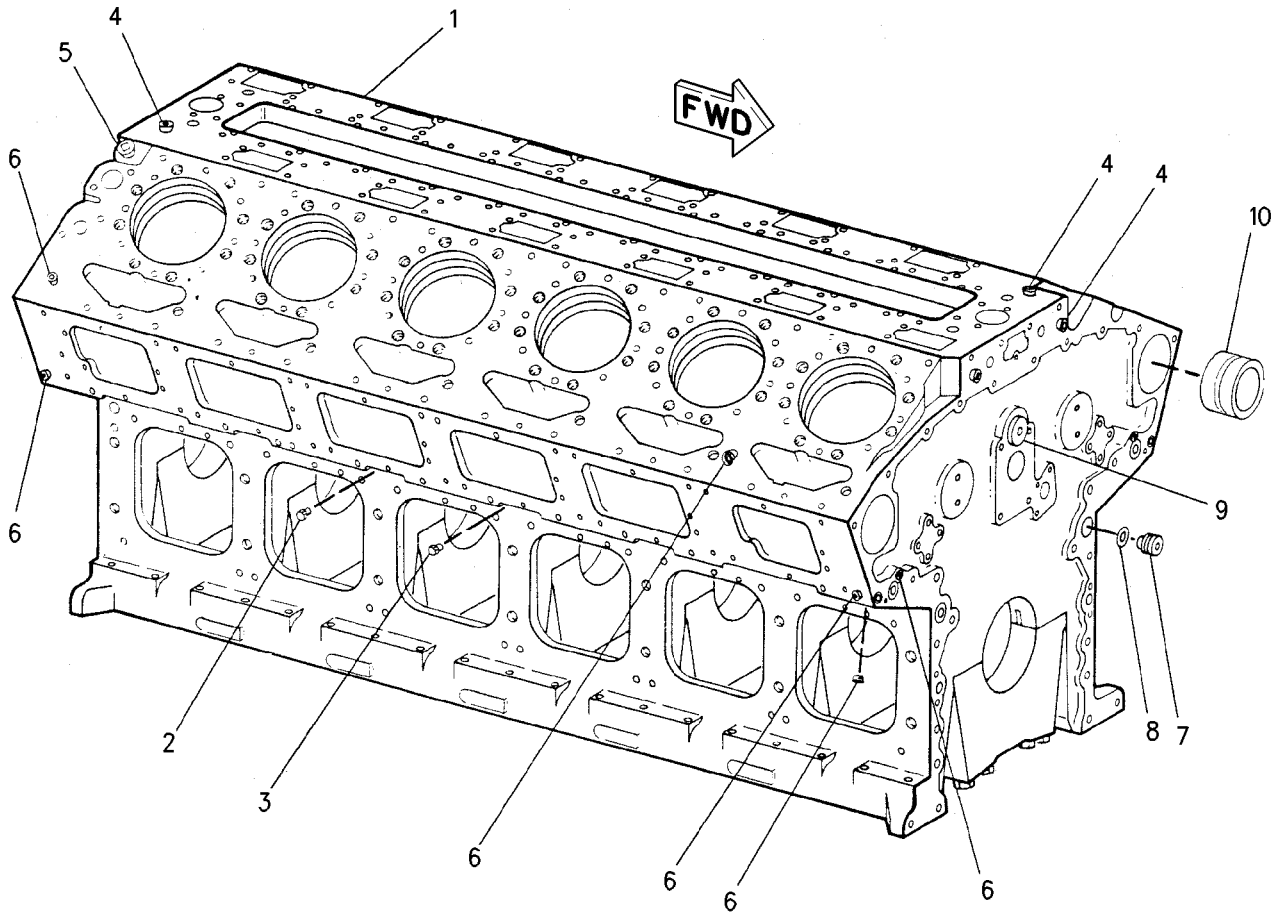
NOTE	REF NO	GRAPHIC REF	PART NUMBER	QTY	PART NAME						SEE PAGE
					1	2	3	4	5	6 (PRODUCT LEVEL)	
CY	1	1	9Y-9598	1	CYLINDER BLOCK AS						125
	2	1	<b>5M-6213</b>	5	PLUG-PIPE (1/4-18-THD)						
B	3	1	<b>5M-6213</b>	1	PLUG-PIPE (1/4-18-THD)						
	4	1	<b>2B-0858</b>	4	PLUG-PIPE						
	5	1	<b>1B-5174</b>	2	PLUG-PIPE						
	6	1	<b>7H-3171</b>	24	PLUG-PIPE (HEX COUNTERSUNK)						
	7	1	<b>2W-2940</b>	8	PLUG						
	8	1	<b>6V-3348</b>	8	SEAL-O-RING						
	9	1	<b>7N-5641</b>	2	PLUG-MANIFOLD						
		1	<b>5F-9657</b>	4	SEAL-O-RING						
	10	1	<b>7N-2048</b>	14	BEARING-CAMSHAFT						
					(FOR REPAIR OF CRACKED CYLINDER BLOCK)						
		1	<b>7W-5949</b>	1	INSERT-LINER SEAT (SHALLOW CRACKS)						
					AVAILABLE REPAIR KIT(S):						
Y			<b>7E-2865</b>	1	KIT-INSERT (CYLINDER BLOCK)						2140

B - USE AS REQUIRED  
 C - CHANGE FROM PREVIOUS TYPE  
 Y - SEPARATE ILLUSTRATION

# BASIC ENGINE

7C-6957 CYLINDER BLOCK GP (contd.)

i02395438



GRAPHIC #1

<END>

g00921012

# BASIC ENGINE

## 7E-4664 CYLINDER BLOCK GP

S/N: 50Y835-1304; 66Z355-578

FIELD INSTALLATION

SMCS-1201

i02390842

NOTE	REF NO	GRAPHIC REF	PART NUMBER	QTY	PART NAME						SEE PAGE
					1	2	3	4	5	6	
	1	1	<b>7N-2048</b>	14	BEARING-CAMSHAFT						
	2	1	<b>9S-4191</b>	6	PLUG (9/16-18-THD)						
	3	1	<b>033-6042</b>	6	SEAL-O-RING						
	4	1	<b>2B-0858</b>	4	PLUG-PIPE						
	5	1	<b>1B-5174</b>	2	PLUG-PIPE						
	6	1	<b>7H-3171</b>	24	PLUG-PIPE						
	7	1	<b>2W-2940</b>	8	PLUG						
	8	1	<b>6V-3348</b>	8	SEAL-O-RING						
	9	1	<b>7N-5641</b>	2	PLUG-MANIFOLD						
		1	<b>5F-9657</b>	4	SEAL-O-RING						
		1	<b>7W-5949</b>	1	INSERT-LINER SEAT						
	10	1	<b>7E-4663</b>	1	CYLINDER BLOCK AS						
	11	1	<b>5P-8249</b>	28	WASHER-HARD (24X41.5X4-MM THK)						
	12	1	<b>7X-7925</b>	28	BOLT (7/8-14X11-IN)						
	13	1	<b>9Y-9175</b>	7	CAP-CRANKSHAFT BEARING						
	14	1	<b>4W-4813</b>	2	PLUG						
	15	1	<b>8T-2929</b>	2	SEAL-O-RING						
	16	1	<b>8T-2928</b>	2	SEAL-O-RING						

AVAILABLE REPAIR KIT(S) :

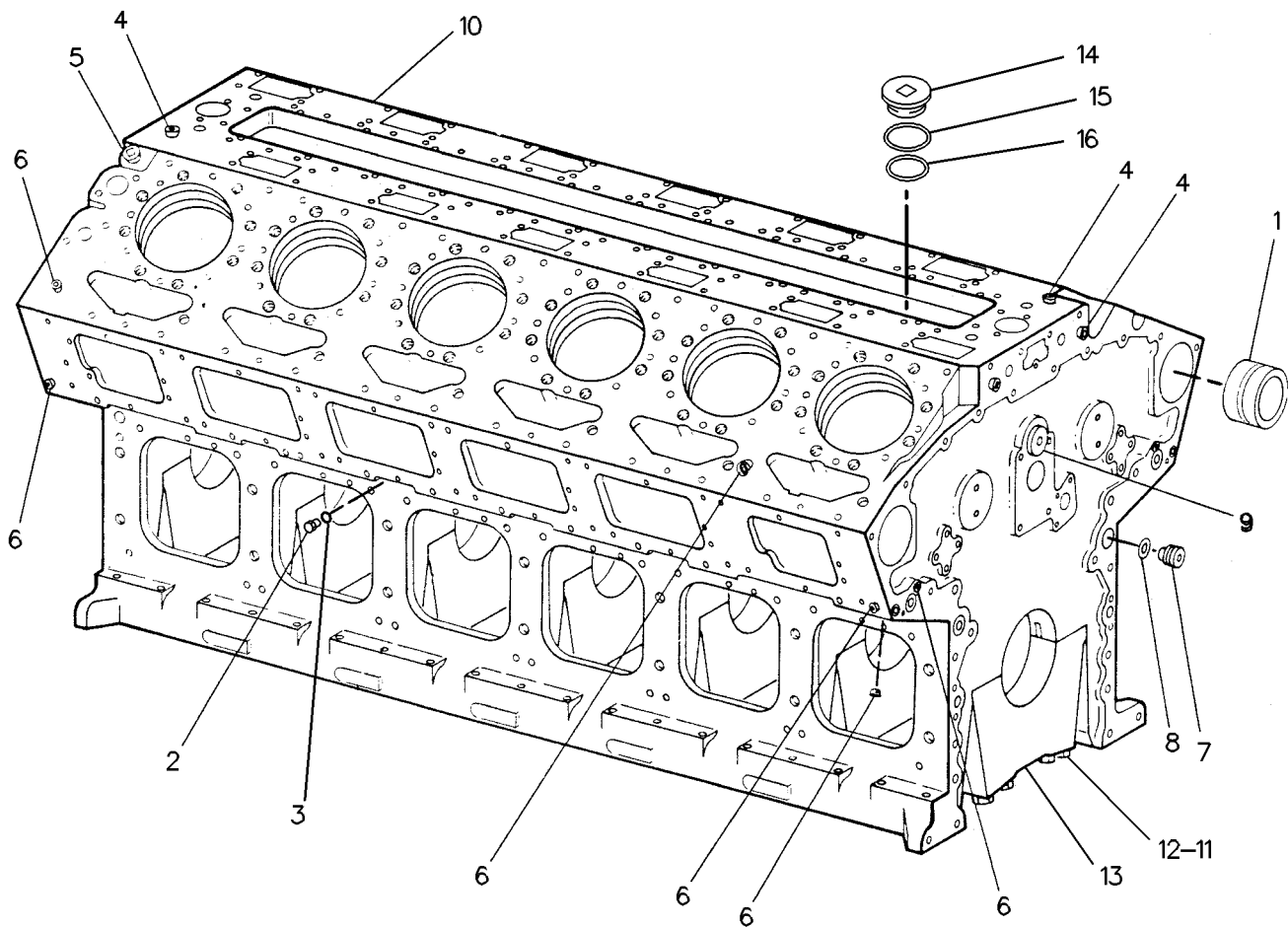
Y		<b>7E-2865</b>	1	KIT-INSERT (CYLINDER BLOCK)		2140
---	--	----------------	---	-----------------------------	--	------

Y - SEPARATE ILLUSTRATION

# BASIC ENGINE

7E-4664 CYLINDER BLOCK GP (contd.)

i02390842



GRAPHIC #1

<END>

g00082322

# BASIC ENGINE

## 10R-2010 CYLINDER HEAD AS

S/N: 50Y647-1304

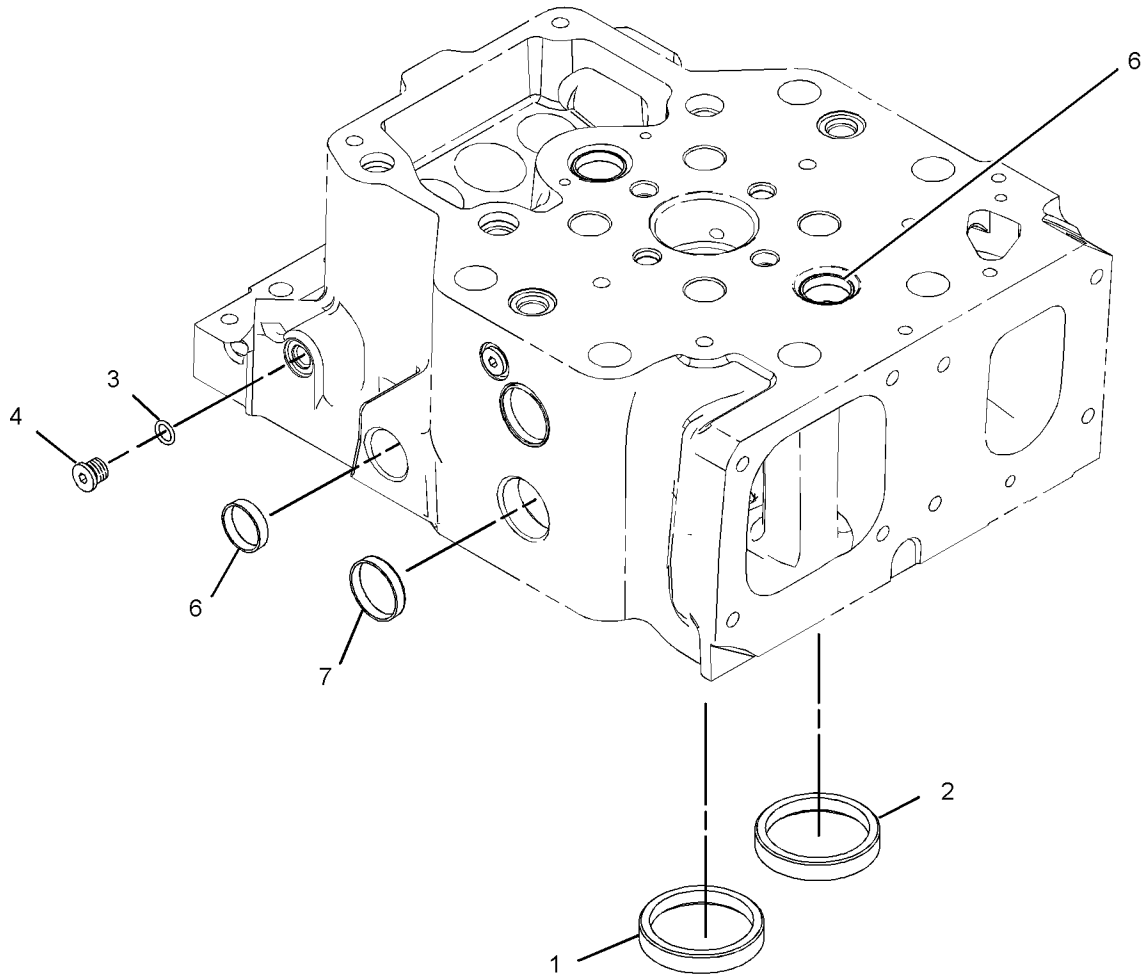
PART OF 10R-7765 CYLINDER HEAD GP

SMCS-1100, 1101

i04038771

NOTE	REF NO	GRAPHIC REF	PART NUMBER	QTY	PART NAME						SEE PAGE
					1	2	3	4	5	6 (PRODUCT LEVEL)	
	1	1	<b>130-2607</b>	2	INSERT-VALVE SEAT (STANDARD) (INTAKE)						
AB			<b>149-1981</b>		INSERT-VALVE SEAT (0.51-MM OS) (INTAKE)						
R	2	1	<b>130-2608</b>	2	INSERT-VALVE SEAT (STANDARD) (EXHAUST)						
AB			<b>166-5945</b>		INSERT-VALVE SEAT (0.508-MM OS) (EXHAUST)						
	3	1	<b>3J-7354</b>	4	SEAL-O-RING						
	4	1	<b>9S-8002</b>	4	PLUG (7/16-20-THD)						
	6	1	<b>3B-0623</b>	5	PLUG-CUP						
	7	1	<b>3B-0645</b>	5	PLUG-CUP						

A - NOT PART OF THIS GROUP  
 B - USE AS REQUIRED  
 R - REMANUFACTURED PART MAY BE AVAILABLE



GRAPHIC #1

<END>

g01205314

# BASIC ENGINE

## 154-1612 CYLINDER HEAD AS

S/N: 50Y647-1304

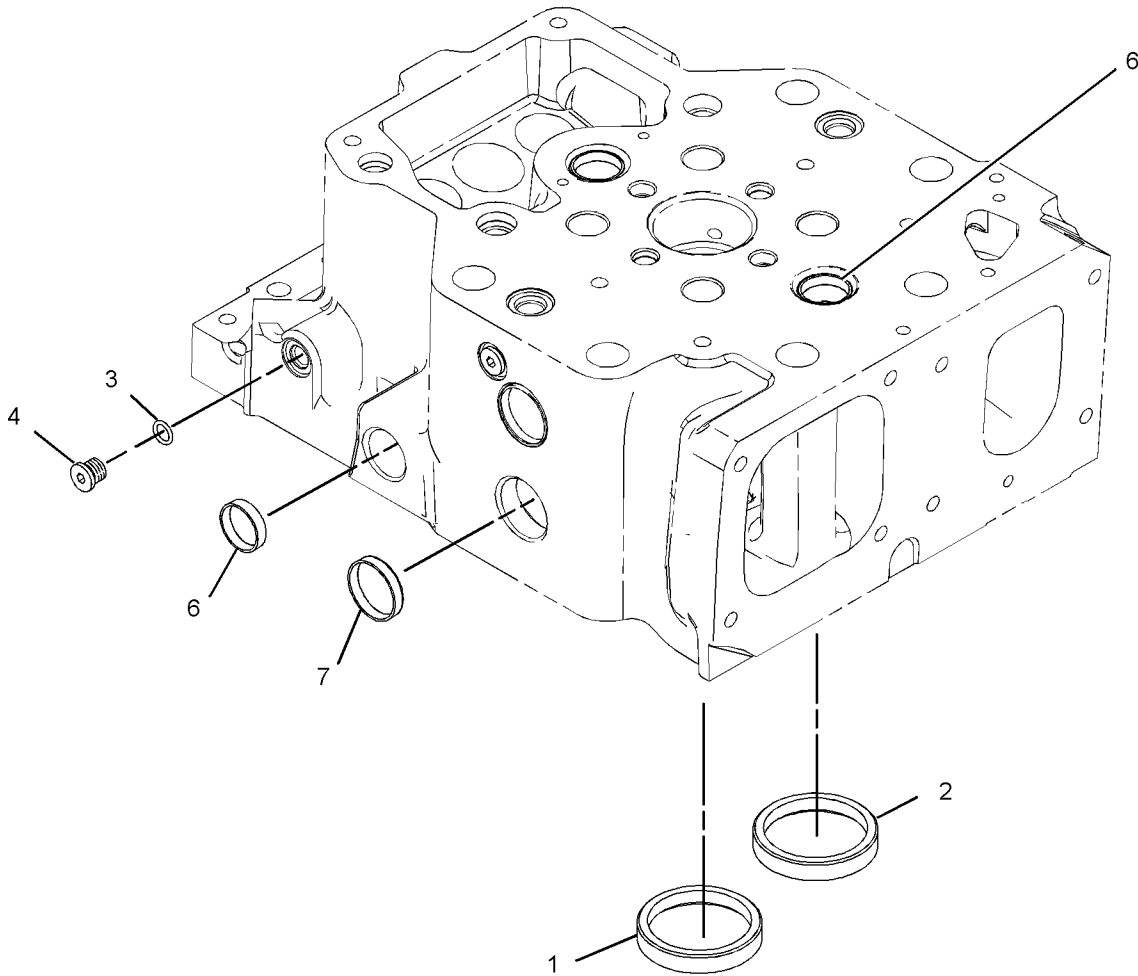
PART OF 317-2440 CYLINDER HEAD GP

SMCS-1100, 1101

i07460066

NOTE	REF NO	GRAPHIC REF	PART NUMBER	QTY	PART NAME						SEE PAGE
					1	2	3	4	5	6 (PRODUCT LEVEL)	
	1	1	<b>130-2607</b>	2	INSERT-VALVE SEAT (STANDARD) (INLET)						
AB			<b>149-1981</b>		INSERT-VALVE SEAT (0.51-MM OS) (INLET)						
R	2	1	<b>130-2608</b>	2	INSERT-VALVE SEAT (STANDARD) (EXHAUST)						
AB			<b>166-5945</b>		INSERT-VALVE SEAT (0.508-MM OS) (EXHAUST)						
	3	1	<b>214-7566</b>	4	SEAL-O-RING						
	4	1	<b>9S-8002</b>	4	PLUG (7/16-20-THD)						
	6	1	<b>3B-0623</b>	5	PLUG-CUP						
	7	1	<b>3B-0645</b>	5	PLUG-CUP						

A - NOT PART OF THIS GROUP  
 B - USE AS REQUIRED  
 R - REMANUFACTURED PART MAY BE AVAILABLE



GRAPHIC #1

<END>

g01205314



# BASIC ENGINE

## 290-1351 CYLINDER HEAD AS

S/N: 50Y647-1304

FIELD REPLACEMENT ORDER 299-3519-PAGE: 152

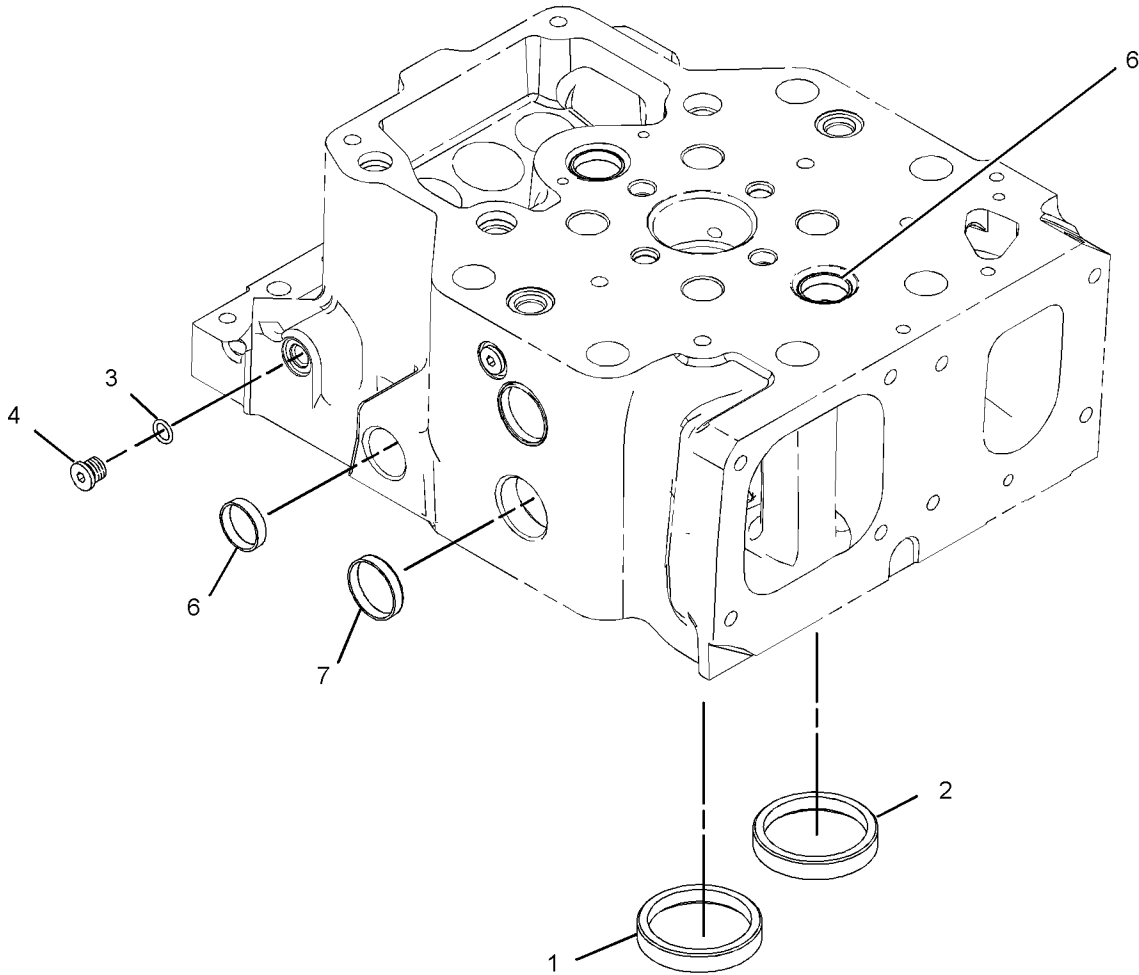
PART OF 335-6220 CYLINDER HEAD GP

SMCS-1100, 1101

i07460263

NOTE	REF NO	GRAPHIC REF	PART NUMBER	QTY	PART NAME						SEE PAGE
					1	2	3	4	5	6 (PRODUCT LEVEL)	
	1	1	<b>183-8809</b>	2	INSERT-VALVE SEAT (INTAKE)						
	2	1	<b>289-9745</b>	2	INSERT-VALVE SEAT (EXHAUST)						
	3	1	<b>214-7566</b>	4	SEAL-O-RING						
	4	1	<b>9S-8002</b>	4	PLUG (7/16-20-THD)						
	6	1	<b>3B-0623</b>	5	PLUG-CUP						
	7	1	<b>3B-0645</b>	5	PLUG-CUP						
F			<b>494-9516</b>	1	INSERT-VALVE SEAT (EXHAUST)						
ABF			<b>521-4489</b>		INSERT-VALVE SEAT (0.25-MM OS, EXHAUST)						
ABF			<b>521-4490</b>		INSERT-VALVE SEAT (0.5-MM OS, EXHAUST)						

A - NOT PART OF THIS GROUP  
 B - USE AS REQUIRED  
 F - NOT SHOWN



GRAPHIC #1

<END>

g01205314

# BASIC ENGINE

## 299-3519 CYLINDER HEAD AS\*R

S/N: 50Y647-1304

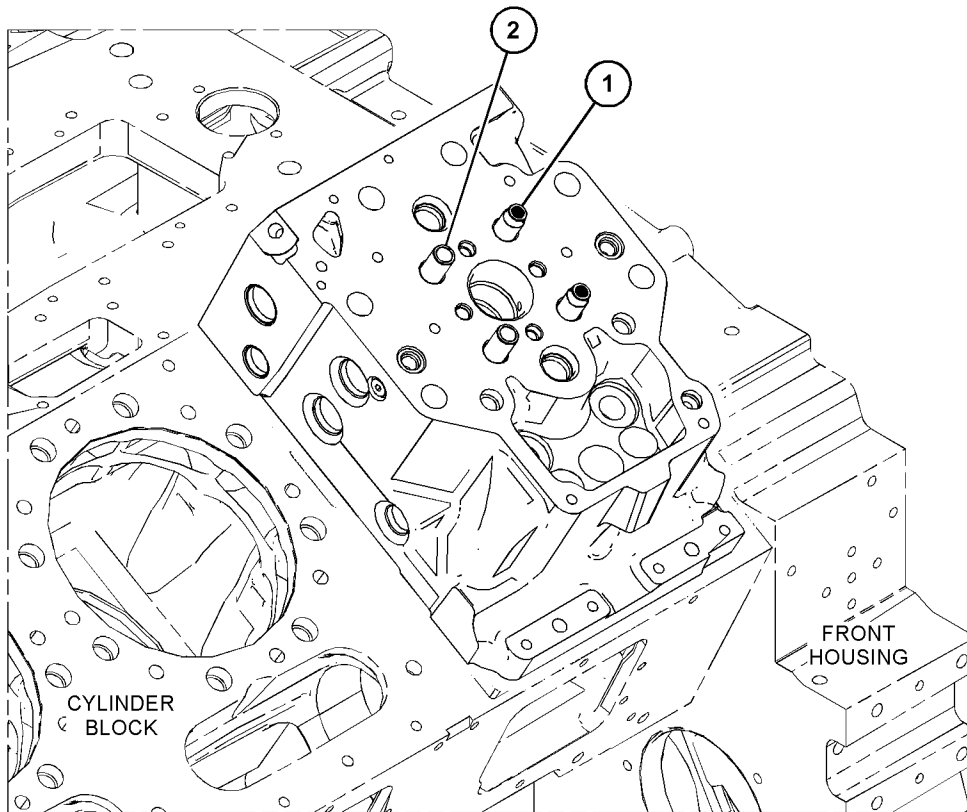
FIELD REPLACEMENT FOR 290-1351-PAGE: 151

SMCS-1100, 1101

i07092508

NOTE	REF NO	GRAPHIC REF	PART NUMBER	QTY	PART NAME						SEE PAGE
					1	2	3	4	5	6 (PRODUCT LEVEL)	
R	1	1	<b>133-9306</b>	2	GUIDE-VALVE (STANDARD) (INLET)						
AB		1	<b>149-1982</b>		GUIDE-VALVE (0.508-MM OS) (INLET)						
AB		1	<b>273-3553</b>		GUIDE-VALVE (0.127-MM OS) (INLET)						
AB		1	<b>273-3554</b>		GUIDE-VALVE (0.25-MM OS) (INLET)						
AB		1	<b>301-9248</b>		GUIDE-VALVE (0.38-MM THK) (INLET)						
R	2	1	<b>197-6995</b>	2	GUIDE-VALVE (STANDARD) (EXHAUST)						
AB		1	<b>276-3875</b>		GUIDE-VALVE (0.127-MM OS) (EXHAUST)						
AB		1	<b>276-3876</b>		GUIDE-VALVE (0.25-MM OS) (EXHAUST)						
AB		1	<b>320-7710</b>		GUIDE-VALVE (0.381-MM OS, EXHAUST)						
AB		1	<b>320-7711</b>		GUIDE-VALVE (0.508-MM OS, EXHAUST)						

A - NOT PART OF THIS GROUP  
 B - USE AS REQUIRED  
 R - REMANUFACTURED PART MAY BE AVAILABLE



GRAPHIC #1

<END>

g06223236

# BASIC ENGINE

## 7E-5859 CYLINDER HEAD AS\*R

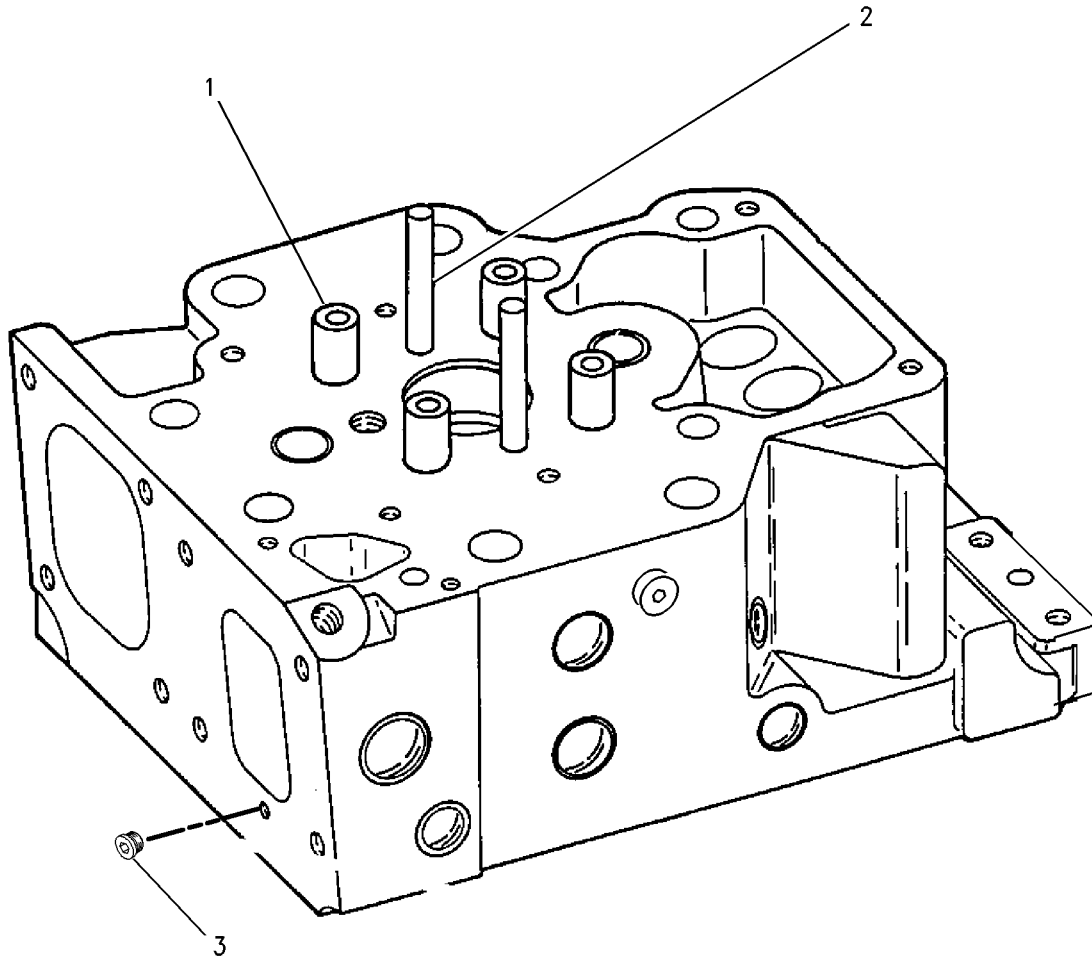
S/N: 50Y873-1304; 66Z378-578

FIELD REPLACEMENT FOR 7E-5861-PAGE: 154

SMCS-1100, 1101

i01337649

NOTE	REF NO	GRAPHIC REF	PART NUMBER	QTY	PART NAME						SEE PAGE
					1	2	3	4	5	6 (PRODUCT LEVEL)	
	1	1	<b>9Y-1847</b>	4	GUIDE-VALVE						
	2	1	<b>7N-1902</b>	2	DOWEL						
	3	1	<b>4D-0514</b>	1	PLUG-PIPE						



GRAPHIC #1

<END>

g00707404

# BASIC ENGINE

## 7E-5861 CYLINDER HEAD AS

S/N: 50Y873-1304; 66Z378-578

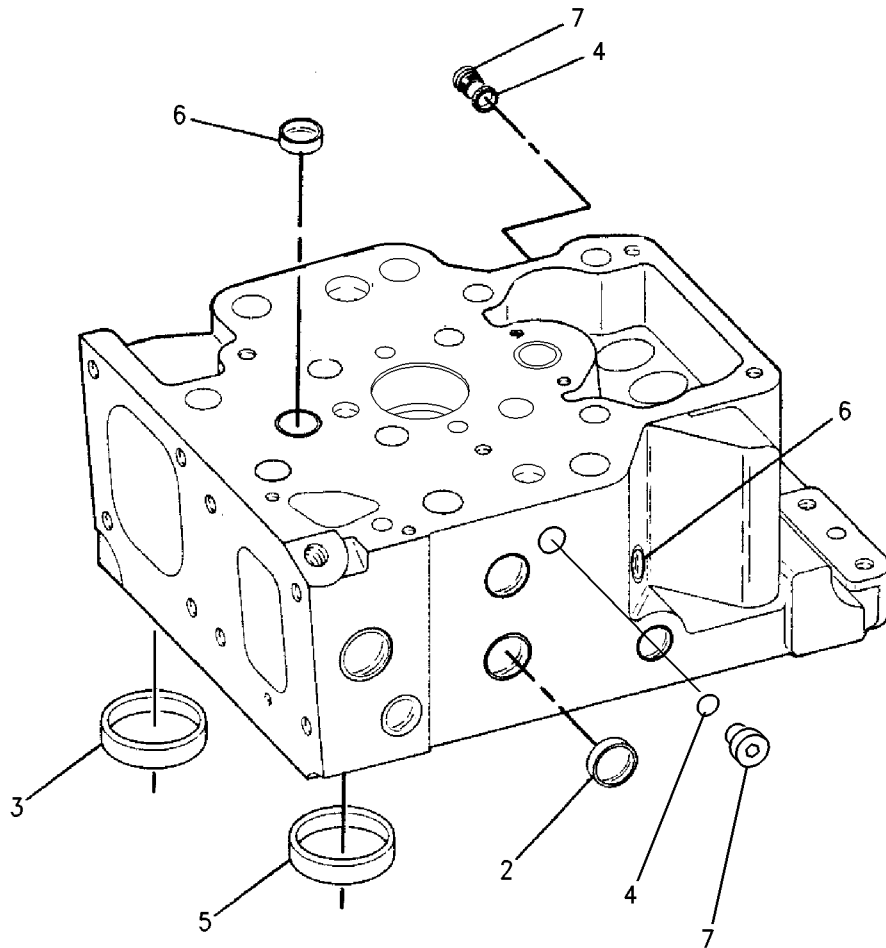
FIELD REPLACEMENT ORDER 7E-5859-PAGE: 153

PART OF 4W-9560 CYLINDER HEAD GP

SMCS-1100, 1101

i01314689

NOTE	REF NO	GRAPHIC REF	PART NUMBER	QTY	PART NAME						SEE PAGE
					1	2	3	4	5	6	
	2	1	<b>3B-0645</b>	5	PLUG-CUP						
	3	1	<b>7E-5862</b>	2	INSERT-VALVE SEAT (INLET)						
	4	1	<b>3J-7354</b>	4	SEAL-O-RING						
	5	1	<b>118-9491</b>	2	INSERT-VALVE SEAT (EXHAUST)						
	6	1	<b>3B-0623</b>	5	PLUG-CUP						
	7	1	<b>9S-8002</b>	4	PLUG (7/16-20-THD)						



GRAPHIC #1

<END>

g00695957

# BASIC ENGINE

## 101-0830 CYLINDER HEAD GP

S/N: 50Y647-1304

PART OF 376-4849 ENGINE AR-COMplete

**SMCS-1100**

**i05762095**

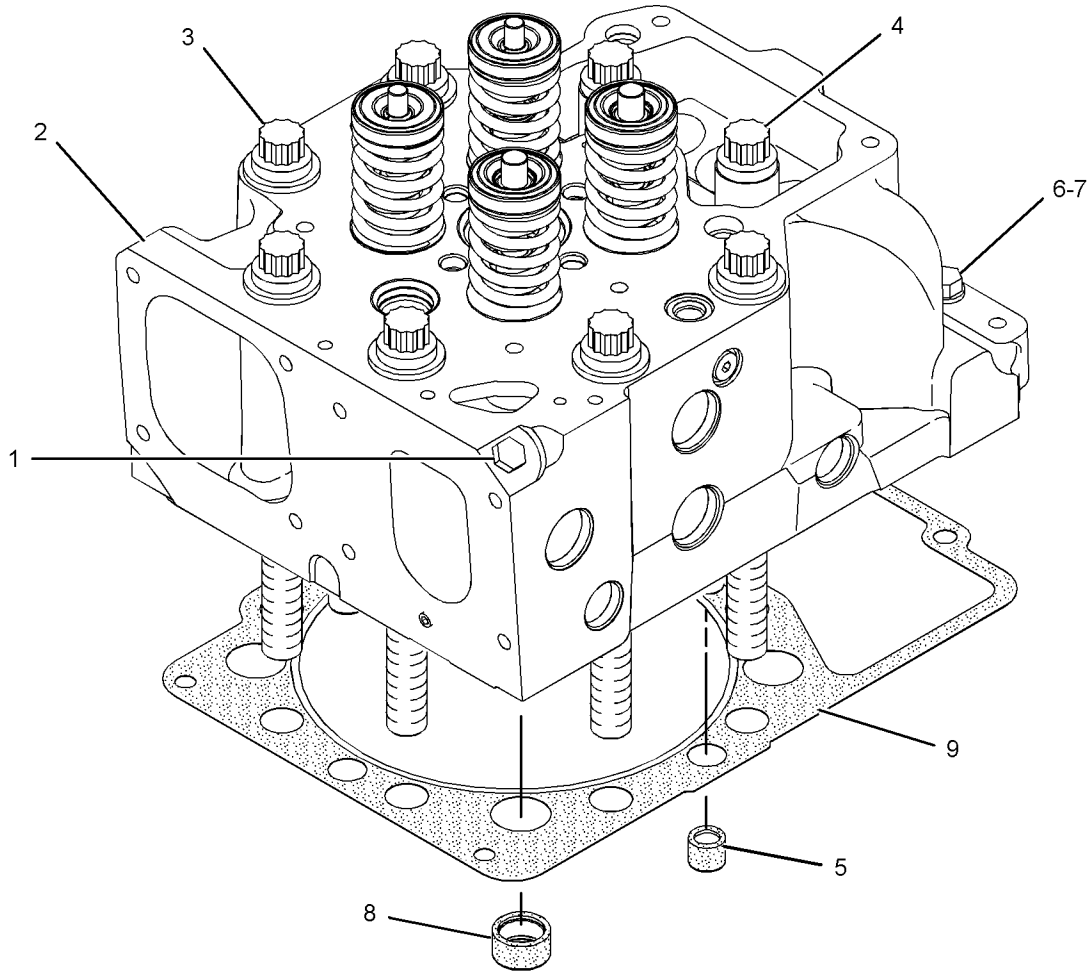
NOTE	REF NO	GRAPHIC REF	PART NUMBER	QTY	PART NAME						SEE PAGE
					1	2	3	4	5	6	
B	1	1	<b>5B-7890</b>	1	PLUG-PIPE						
CYR	2	1	<b>317-2440</b>	1	CYLINDER HEAD GP						161
	3	1	<b>131-0420</b>	6	FASTENER GP-CYLINDER HEAD						
					(EACH INCLUDES)						
		1	<b>7N-1961</b>	1	BOLT-12 POINT HEAD (3/4-16X8.5-IN)						
		1	<b>187-7738</b>	1	WASHER-HARD (21X36.5X3.5-MM THK)						
	4	1	<b>131-0421</b>	2	FASTENER GP-CYLINDER HEAD						
					(EACH INCLUDES)						
		1	<b>7N-1961</b>	1	BOLT-12 POINT HEAD (3/4-16X8.5-IN)						
		1	<b>9Y-0635</b>	1	SPACER (19.35X30.18X45-MM THK)						
		1	<b>187-7738</b>	1	WASHER-HARD (21X36.5X3.5-MM THK)						
	5	1	<b>420-0652</b>	4	SEAL AS-WATER						
	6	1	<b>5B-0213</b>	2	BOLT (3/8-16X2.375-IN)						
	7	1	<b>5M-2894</b>	2	WASHER-HARD (10.2X18.5X2.5-MM THK)						
	8	1	<b>420-0653</b>	4	SEAL AS-WATER						
	9	1	<b>110-6991</b>	1	GASKET-CYLINDER HEAD						

B - USE AS REQUIRED  
 C - CHANGE FROM PREVIOUS TYPE  
 R - REMANUFACTURED PART MAY BE AVAILABLE  
 Y - SEPARATE ILLUSTRATION

# BASIC ENGINE

101-0830 CYLINDER HEAD GP (contd.)

105762095



GRAPHIC #1

<END>

g01248586

# BASIC ENGINE

## 10R-7765 CYLINDER HEAD GP

S/N: 50Y647-1304

PART OF 10R-9762 KIT-CONVERSION

SMCS-1100

i04047671

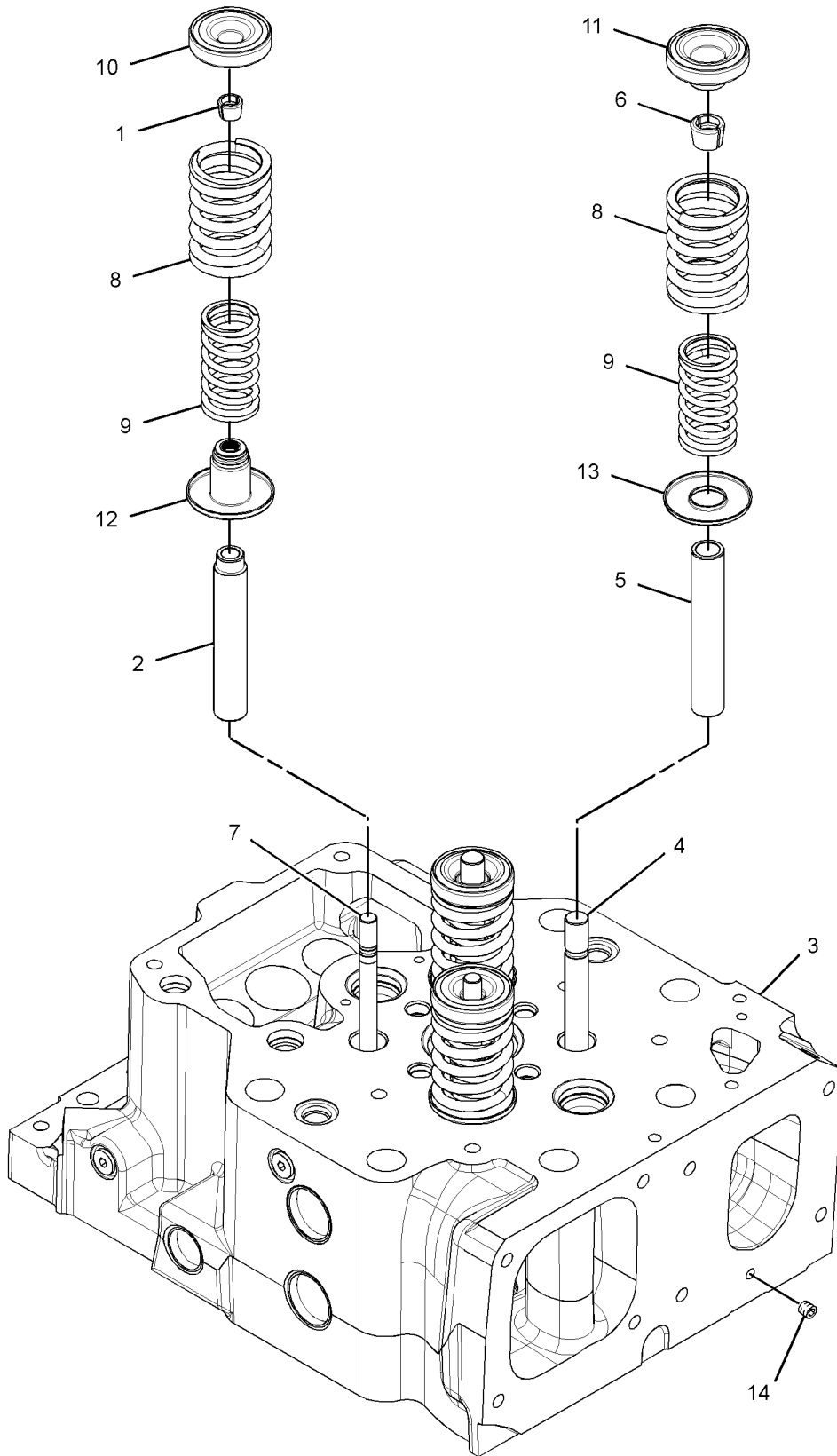
NOTE	REF NO	GRAPHIC REF	PART NUMBER	QTY	PART NAME						SEE PAGE
					1	2	3	4	5	6 (PRODUCT LEVEL)	
	1	1	<b>2A-4429</b>	4	LOCK-RETAINER						
R	2	1	<b>133-9306</b>	2	GUIDE-VALVE (STANDARD)						
AB		1	<b>273-3553</b>		GUIDE-VALVE (0.127-MM OS)						
AB		1	<b>273-3554</b>		GUIDE-VALVE (0.25-MM OS)						
AB		1	<b>301-9248</b>		GUIDE-VALVE (0.38-MM THK)						
AB		1	<b>149-1982</b>		GUIDE-VALVE (0.508-MM OS)						
Y	3	1	<i>10R-2010</i>	1	CYLINDER HEAD AS						149
	4	1	<b>194-4897</b>	2	VALVE-EXHAUST						
R	5	1	<b>197-6995</b>	2	GUIDE-VALVE (STANDARD)						
AB		1	<b>276-3875</b>		GUIDE-VALVE (0.127-MM OS)						
AB		1	<b>276-3876</b>		GUIDE-VALVE (0.25-MM OS)						
	6	1	<b>197-7055</b>	4	LOCK-RETAINER						
	7	1	<b>210-2542</b>	2	VALVE-INLET						
	8	1	<b>316-5976</b>	4	SPRING (OUTER)						
	9	1	<b>316-5977</b>	4	SPRING (INNER)						
	10	1	<b>316-5978</b>	2	ROTOCOIL AS (INLET)						
	11	1	<b>316-5979</b>	2	ROTOCOIL AS (EXHAUST)						
	12	1	<b>316-5980</b>	2	SEAL-VALVE STEM						
	13	1	<b>316-5981</b>	2	WASHER (17.8X44.5X3-MM THK)						
	14	1	<b>8T-6759</b>	1	PLUG-PIPE						

A - NOT PART OF THIS GROUP  
 B - USE AS REQUIRED  
 R - REMANUFACTURED PART MAY BE AVAILABLE  
 Y - SEPARATE ILLUSTRATION

# BASIC ENGINE

10R-7765 CYLINDER HEAD GP (contd.)

i04047671



GRAPHIC #1

<END>

g01507811



# BASIC ENGINE

## 299-3521 CYLINDER HEAD GP

S/N: 50Y647-1304

PART OF 357-0858 ENGINE AR-COMPLETE

**SMCS-1100**

**i05854204**

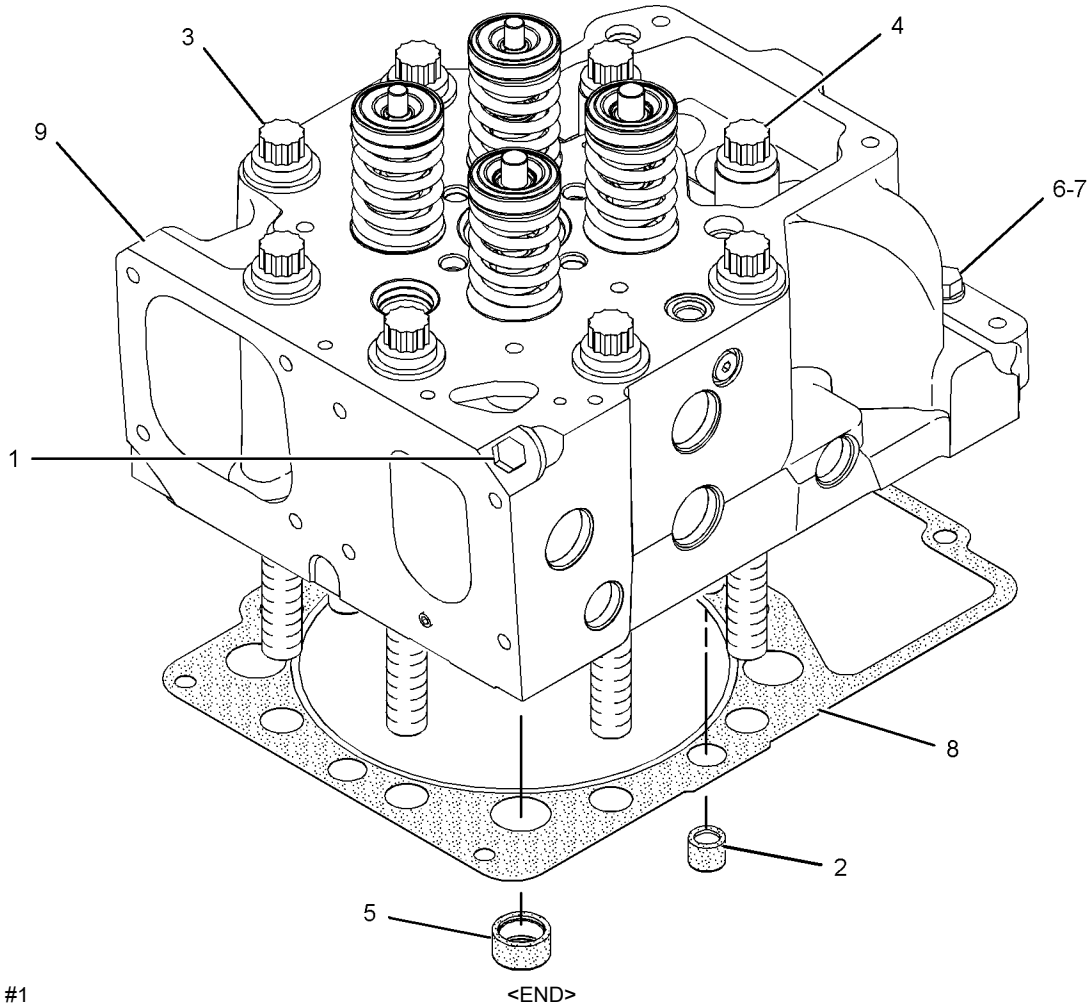
NOTE	REF NO	GRAPHIC REF	PART NUMBER	QTY	PART NAME						SEE PAGE
					1	2	3	4	5	6	
B	1	1	<b>5B-7890</b>	1	PLUG-PIPE						
	2	1	<b>420-0652</b>	4	SEAL AS-WATER						
	3	1	<b>131-0420</b>	6	FASTENER GP-CYLINDER HEAD						
					(EACH INCLUDES)						
		1	<b>7N-1961</b>	1	BOLT-12 POINT HEAD (3/4-16X8.5-IN)						
		1	<b>187-7738</b>	1	WASHER-HARD (21X36.5X3.5-MM THK)						
	4	1	<b>131-0421</b>	2	FASTENER GP-CYLINDER HEAD						
					(EACH INCLUDES)						
		1	<b>7N-1961</b>	1	BOLT-12 POINT HEAD (3/4-16X8.5-IN)						
		1	<b>9Y-0635</b>	1	SPACER (19.35X30.18X45-MM THK)						
		1	<b>187-7738</b>	1	WASHER-HARD (21X36.5X3.5-MM THK)						
	5	1	<b>420-0653</b>	4	SEAL AS-WATER						
	6	1	<b>5B-0213</b>	2	BOLT (3/8-16X2.375-IN)						
	7	1	<b>5M-2894</b>	2	WASHER-HARD (10.2X18.5X2.5-MM THK)						
	8	1	<b>110-6991</b>	1	GASKET-CYLINDER HEAD						
CYR	9	1	<b>335-6220</b>	1	CYLINDER HEAD GP						163

B - USE AS REQUIRED  
 C - CHANGE FROM PREVIOUS TYPE  
 R - REMANUFACTURED PART MAY BE AVAILABLE  
 Y - SEPARATE ILLUSTRATION

# BASIC ENGINE

299-3521 CYLINDER HEAD GP (contd.)

i05854204



GRAPHIC #1

<END>

g01324449

# BASIC ENGINE

## 317-2440 CYLINDER HEAD GP\*R

S/N: 50Y647-1304

FIELD REPLACEMENT ORDER 335-6220-PAGE: 163

PART OF 101-0830 CYLINDER HEAD GP

**SMCS-1100**

**i06649488**

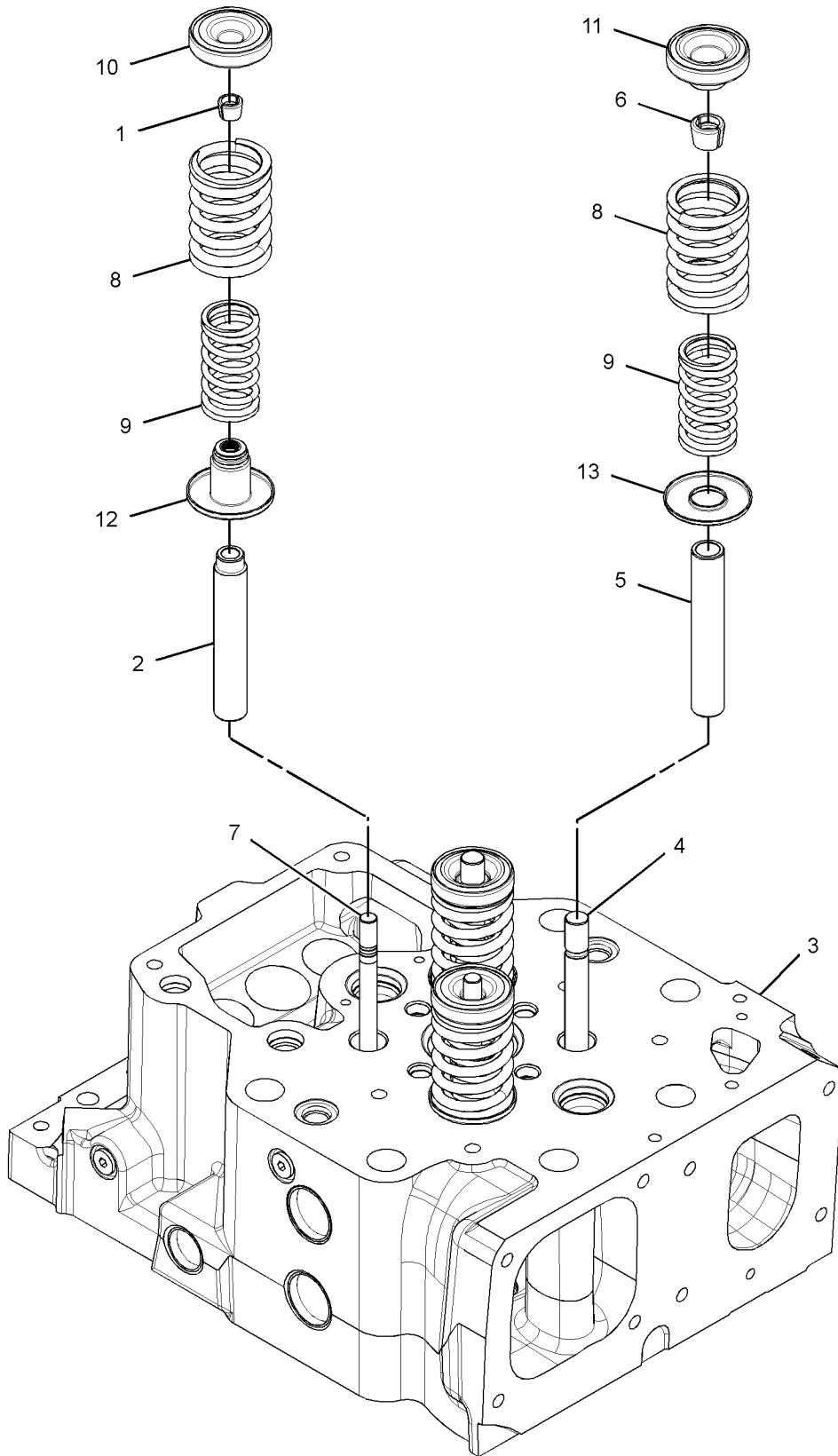
NOTE	REF NO	GRAPHIC REF	PART NUMBER	QTY	PART NAME						SEE PAGE
					1	2	3	4	5	6 (PRODUCT LEVEL)	
	1	1	<b>2A-4429</b>	4	LOCK-RETAINER						
R	2	1	<b>133-9306</b>	2	GUIDE-VALVE (STANDARD) (INLET)						
AB		1	<b>273-3553</b>		GUIDE-VALVE (0.127-MM OS) (INLET)						
AB		1	<b>273-3554</b>		GUIDE-VALVE (0.25-MM OS) (INLET)						
AB		1	<b>301-9248</b>		GUIDE-VALVE (0.38-MM THK) (INLET)						
AB		1	<b>149-1982</b>		GUIDE-VALVE (0.508-MM OS) (INLET)						
Y	3	1	<i>154-1612</i>	1	CYLINDER HEAD AS						150
	4	1	<b>468-8825</b>	2	VALVE-EXHAUST						
R	5	1	<b>197-6995</b>	2	GUIDE-VALVE (STANDARD) (EXHAUST)						
AB		1	<b>276-3875</b>		GUIDE-VALVE (0.127-MM OS) (EXHAUST)						
AB		1	<b>276-3876</b>		GUIDE-VALVE (0.25-MM OS) (EXHAUST)						
AB		1	<b>320-7710</b>		GUIDE-VALVE (0.381-MM OS, EXHAUST)						
AB		1	<b>320-7711</b>		GUIDE-VALVE (0.508-MM OS, EXHAUST)						
	6	1	<b>197-7055</b>	4	LOCK-RETAINER						
	7	1	<b>468-8824</b>	2	VALVE-INLET						
	8	1	<b>316-5976</b>	4	SPRING (OUTER)						
	9	1	<b>316-5977</b>	4	SPRING (INNER)						
	10	1	<b>316-5978</b>	2	ROTOCOIL AS (INLET)						
	11	1	<b>316-5979</b>	2	ROTOCOIL AS (EXHAUST)						
	12	1	<b>316-5980</b>	2	SEAL-VALVE STEM						
	13	1	<b>316-5981</b>	2	WASHER (17.8X44.5X3-MM THK)						

A - NOT PART OF THIS GROUP  
 B - USE AS REQUIRED  
 R - REMANUFACTURED PART MAY BE AVAILABLE  
 Y - SEPARATE ILLUSTRATION

# BASIC ENGINE

317-2440 CYLINDER HEAD GP (contd.)

i06649488



GRAPHIC #1

<END>

g03885353

# BASIC ENGINE

## 335-6220 CYLINDER HEAD GP\*R

S/N: 50Y647-1304

FIELD REPLACEMENT FOR 317-2440-PAGE: 161

PART OF 299-3521 CYLINDER HEAD GP, 350-2143, 357-1809 KIT-ENGINE CONVERSION

**SMCS-1100**

**i06923962**

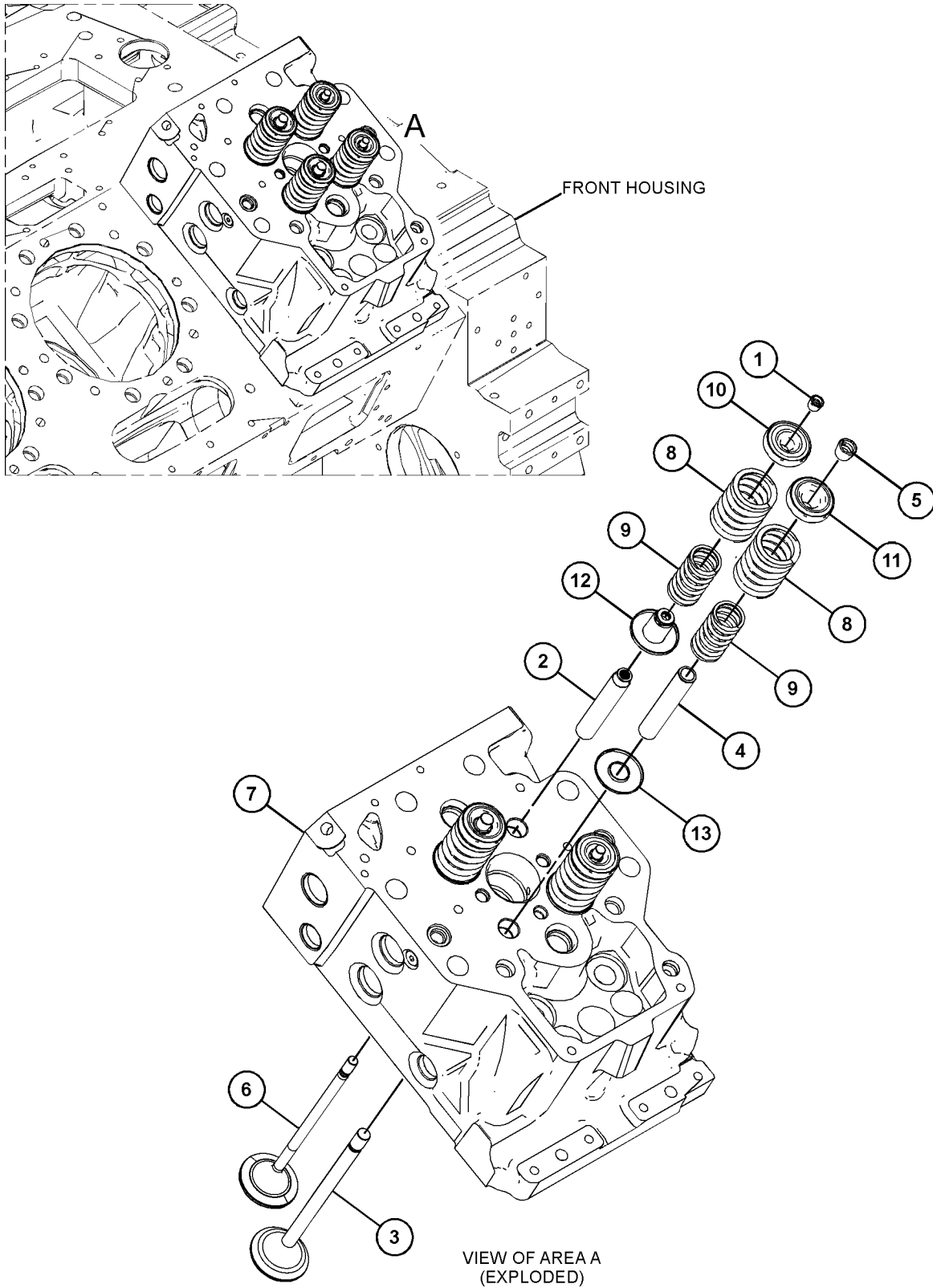
NOTE	REF NO	GRAPHIC REF	PART NUMBER	QTY	PART NAME						SEE PAGE
					1	2	3	4	5	6 (PRODUCT LEVEL)	
	1	1	<b>2A-4429</b>	4	LOCK-RETAINER						
R	2	1	<b>133-9306</b>	2	GUIDE-VALVE (STANDARD) (INLET)						
AB		1	<b>149-1982</b>		GUIDE-VALVE (0.508-MM OS) (INLET)						
AB		1	<b>273-3553</b>		GUIDE-VALVE (0.127-MM OS) (INLET)						
AB		1	<b>273-3554</b>		GUIDE-VALVE (0.25-MM OS) (INLET)						
AB		1	<b>301-9248</b>		GUIDE-VALVE (0.38-MM THK) (INLET)						
	3	1	<b>468-8825</b>	2	VALVE-EXHAUST						
R	4	1	<b>197-6995</b>	2	GUIDE-VALVE (STANDARD) (EXHAUST)						
AB		1	<b>276-3875</b>		GUIDE-VALVE (0.127-MM OS) (EXHAUST)						
AB		1	<b>276-3876</b>		GUIDE-VALVE (0.25-MM OS) (EXHAUST)						
AB		1	<b>320-7710</b>		GUIDE-VALVE (0.381-MM OS, EXHAUST)						
AB		1	<b>320-7711</b>		GUIDE-VALVE (0.508-MM OS, EXHAUST)						
	5	1	<b>197-7055</b>	4	LOCK-RETAINER						
	6	1	<b>468-8824</b>	2	VALVE-INLET						
Y	7	1	<i>290-1351</i>	1	CYLINDER HEAD AS						151
	8	1	<b>316-5976</b>	4	SPRING (OUTER)						
	9	1	<b>316-5977</b>	4	SPRING (INNER)						
	10	1	<b>316-5978</b>	2	ROTOCOIL AS (INLET)						
	11	1	<b>316-5979</b>	2	ROTOCOIL AS (EXHAUST)						
	12	1	<b>316-5980</b>	2	SEAL-VALVE STEM						
	13	1	<b>316-5981</b>	2	WASHER (17.8X44.5X3-MM THK)						
BF			<b>449-7113</b>	2	ROTOCOIL AS						
BF			<b>449-7116</b>	2	SEAL-VALVE STEM						

A - NOT PART OF THIS GROUP  
 B - USE AS REQUIRED  
 F - NOT SHOWN  
 R - REMANUFACTURED PART MAY BE AVAILABLE  
 Y - SEPARATE ILLUSTRATION

# BASIC ENGINE

335-6220 CYLINDER HEAD GP (contd.)

106923962



VIEW OF AREA A  
(EXPLODED)

GRAPHIC #1

<END>

g06081175

# BASIC ENGINE

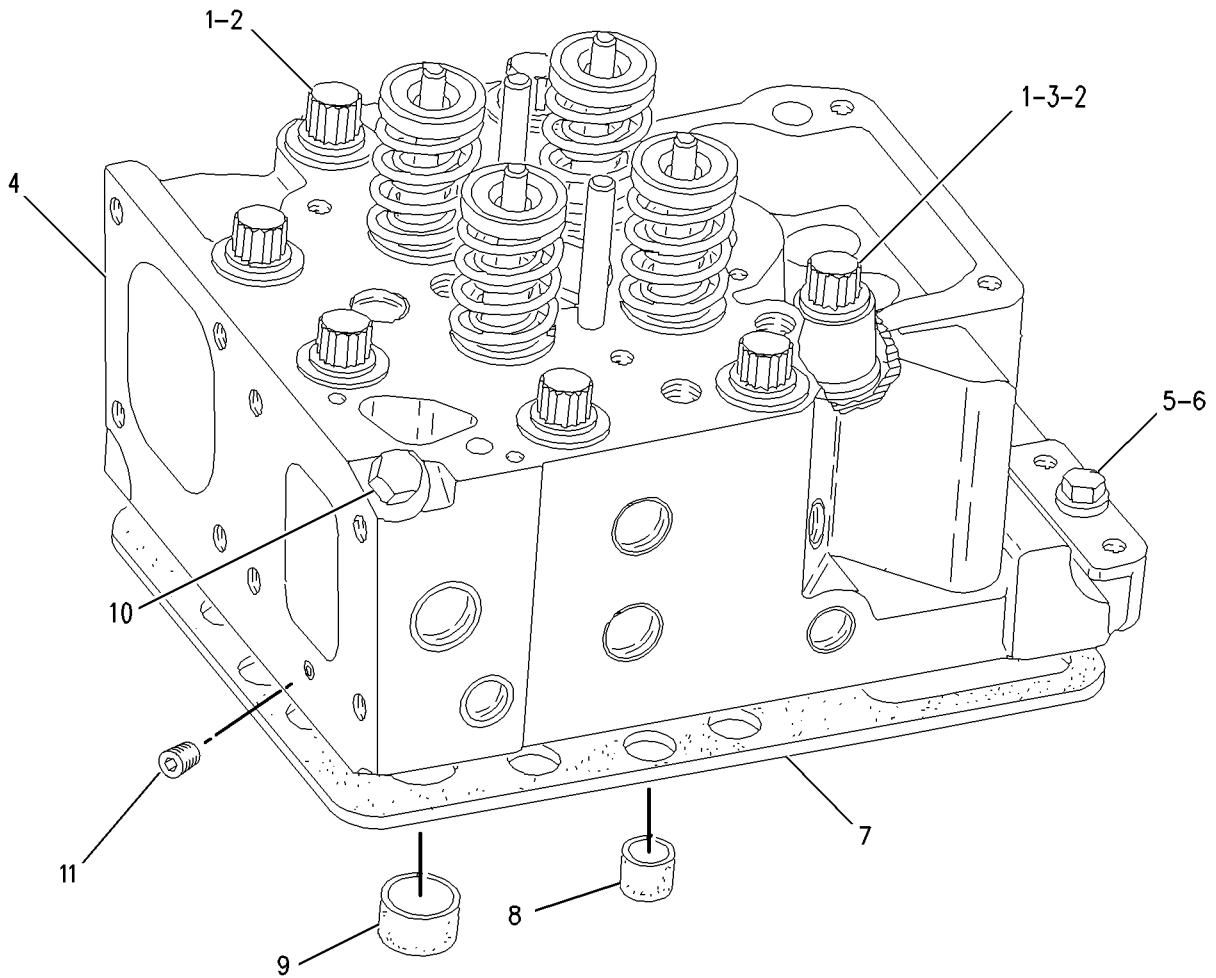
## 4W-0095 CYLINDER HEAD GP

SMCS-1100

i01183046

NOTE	REF NO	GRAPHIC REF	PART NUMBER	QTY	PART NAME						SEE PAGE
					1	2	3	4	5	6 (PRODUCT LEVEL)	
C	1	1	<b>7N-1961</b>	8	BOLT-12 POINT HEAD (3/4-16X8.5-IN)						
	2	1	<b>5P-8248</b>	8	WASHER-HARD (20X36.5X3.5-MM THK)						
C	3	1	<b>9Y-0635</b>	2	SPACER (19.35X30.18X45-MM THK)						
YR	4	1	<b>4W-9560</b>	1	CYLINDER HEAD GP						166
	5	1	<b>0L-2070</b>	2	BOLT (3/8-16X2.25-IN)						
	6	1	<b>5M-2894</b>	2	WASHER-HARD (10.2X18.5X2.5-MM THK)						
C	7	1	<b>110-6991</b>	1	GASKET-CYLINDER HEAD						
	8	1	<b>6I-1357</b>	4	SEAL						
	9	1	<b>6I-1356</b>	4	SEAL						
B	10	1	<b>5B-7890</b>	1	PLUG-PIPE						
B	11	1	<b>8T-6759</b>	1	PLUG-PIPE						

B - USE AS REQUIRED  
 C - CHANGE FROM PREVIOUS TYPE  
 R - REMANUFACTURED PART MAY BE AVAILABLE  
 Y - SEPARATE ILLUSTRATION



GRAPHIC #1

<END>

g00633538

# BASIC ENGINE

## 4W-9560 CYLINDER HEAD GP\*R

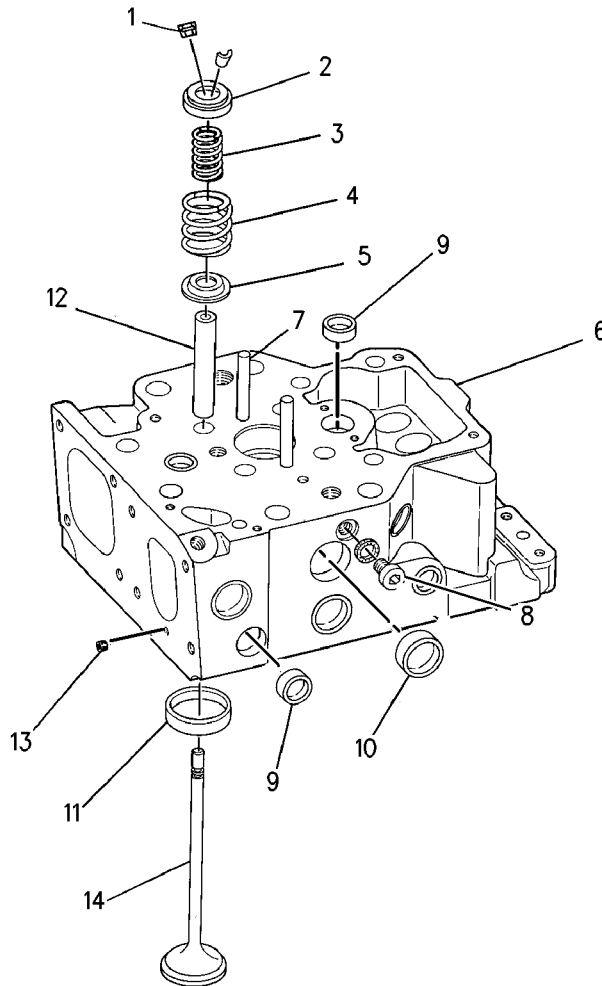
S/N: 50Y647-872; 66Z190-377  
PART OF 4W-0095 CYLINDER HEAD GP

SMCS-1100

i01809679

NOTE	REF NO	GRAPHIC REF	PART NUMBER	QTY	PART NAME						SEE PAGE
					1	2	3	4	5	6	
	1	1	<b>2A-4429</b>	8	LOCK-RETAINER						
	2	1	<b>7N-7964</b>	4	ROTOCOIL AS						
	3	1	<b>7N-1903</b>	4	SPRING-VALVE INNER						
	4	1	<b>7N-1904</b>	4	SPRING-VALVE OUTER						
	5	1	<b>2W-2662</b>	4	SEAT-SPRING						
R	6	1	<b>7W-1063</b>	1	CYLINDER HEAD AS						
	7	1	<b>7N-1902</b>	2	DOWEL						
	8	1	<b>9S-8002</b>	4	PLUG (7/16-20-THD)						
		1	<b>3J-7354</b>	4	SEAL-O-RING						
	9	1	<b>3B-0623</b>	5	PLUG-CUP						
	10	1	<b>3B-0645</b>	5	PLUG-CUP						
	11	1	<b>1W-1801</b>	4	INSERT-VALVE SEAT						
	12	1	<b>7N-1819</b>	4	GUIDE-VALVE						
C	13	1	<b>4D-0514</b>	4	PLUG-PIPE						
	14	1	<b>7C-6217</b>	4	VALVE (INLET, EXHAUST)						

C - CHANGE FROM PREVIOUS TYPE  
R - REMANUFACTURED PART MAY BE AVAILABLE



GRAPHIC #1

<END>

g00705392



# BASIC ENGINE

## 4W-9560 CYLINDER HEAD GP\*R

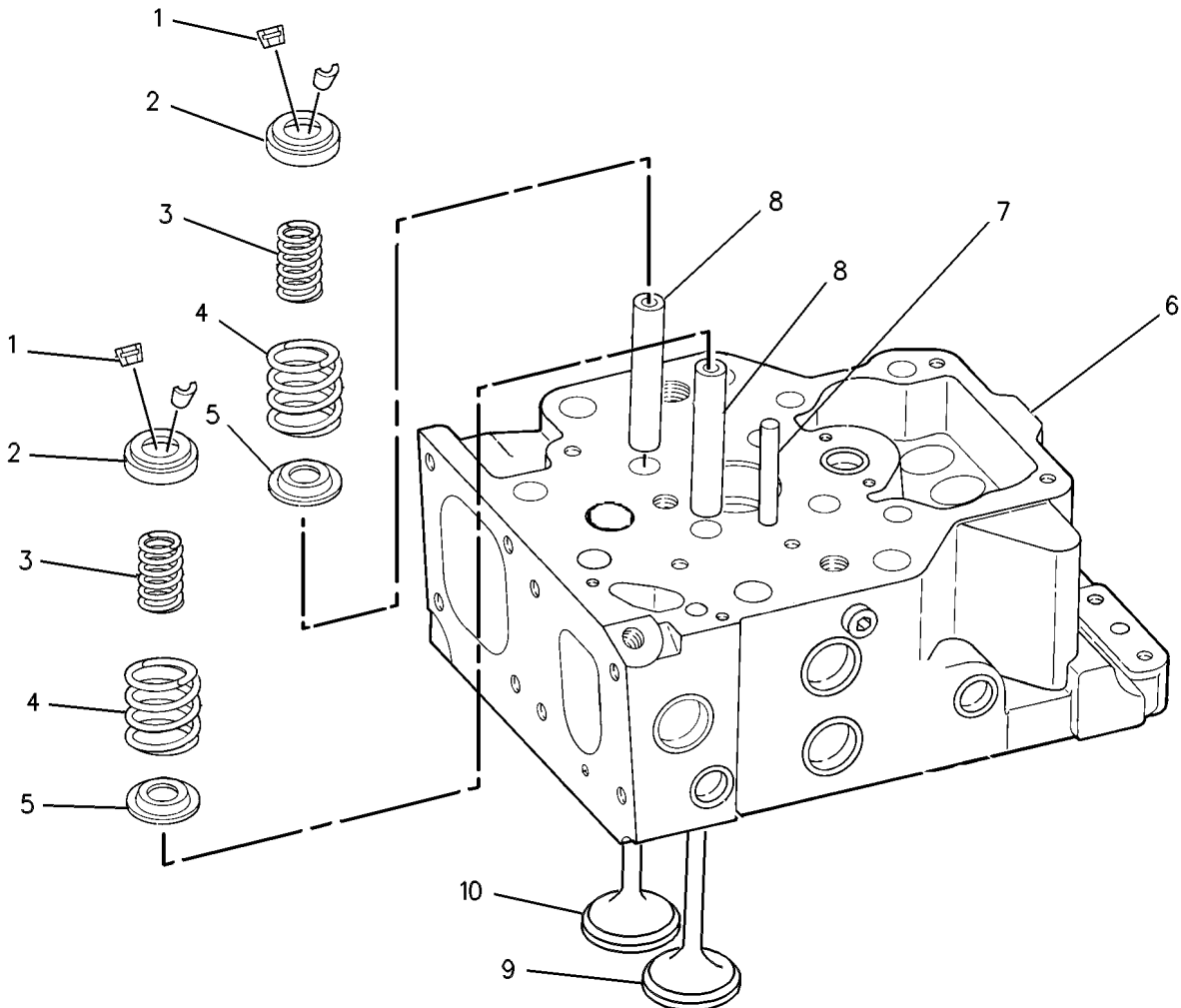
S/N: 50Y873-1304; 66Z378-578  
PART OF 4W-0095 CYLINDER HEAD GP

SMCS-1100

i02669558

NOTE	REF NO	GRAPHIC REF	PART NUMBER	QTY	PART NAME						SEE PAGE
					1	2	3	4	5	6	
	1	1	<b>2A-4429</b>	8	LOCK-RETAINER						
	2	1	<b>4P-2521</b>	4	ROTOCOIL AS						
	3	1	<b>7N-1903</b>	4	SPRING-VALVE INNER						
	4	1	<b>7N-1904</b>	4	SPRING-VALVE OUTER						
	5	1	<b>2W-2662</b>	4	SEAT-SPRING						
CY	6	1	<b>7E-5861</b>	1	CYLINDER HEAD AS						154
	7	1	<b>7N-1902</b>	1	DOWEL						
	8	1	<b>130-2613</b>	4	GUIDE-VALVE						
AB			<b>149-1982</b>		GUIDE-VALVE (0.508-MM OS)						
ABR			<b>166-5944</b>		GUIDE-VALVE (0.127-MM OS)						
	9	1	<b>7E-4609</b>	2	VALVE-INLET						
	10	1	<b>121-9839</b>	2	VALVE-EXHAUST						

A - NOT PART OF THIS GROUP  
 B - USE AS REQUIRED  
 C - CHANGE FROM PREVIOUS TYPE  
 R - REMANUFACTURED PART MAY BE AVAILABLE  
 Y - SEPARATE ILLUSTRATION



GRAPHIC #1

<END>

g00279347

# BASIC ENGINE

## 7W-2233 CYLINDER HEAD GP

S/N: 50Y647; 66Z190-206

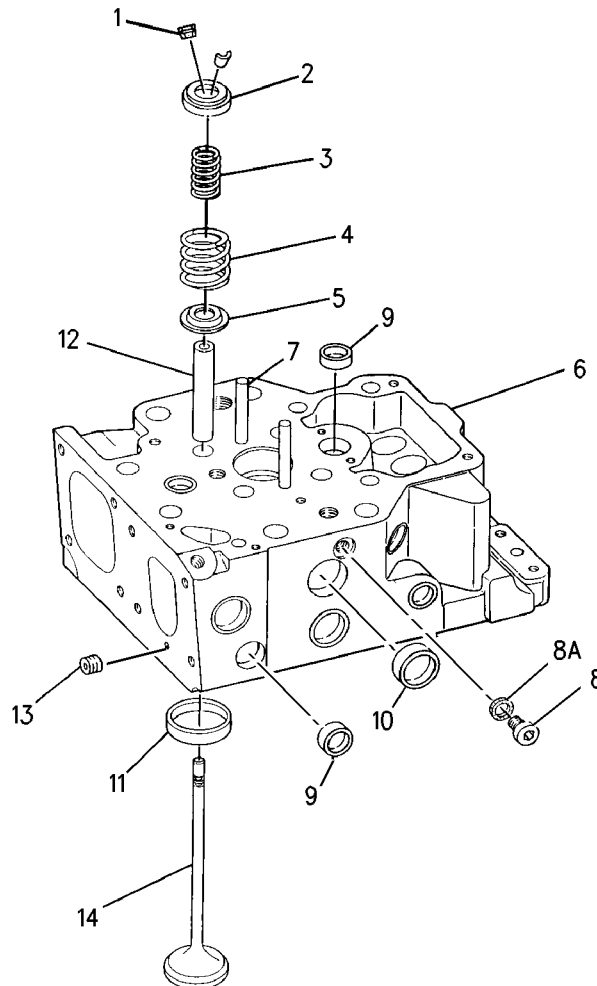
PART OF 7W-2234 CYLINDER HEAD GP

SMCS-1100

i01339591

NOTE	REF NO	GRAPHIC REF	PART NUMBER	QTY	PART NAME						SEE PAGE
					1	2	3	4	5	6 (PRODUCT LEVEL)	
	1	1	<b>2A-4429</b>	8	LOCK-RETAINER						
	2	1	<b>7N-7964</b>	4	ROTOCOIL AS						
	3	1	<b>7N-1903</b>	4	SPRING-VALVE INNER						
	4	1	<b>7N-1904</b>	4	SPRING-VALVE OUTER						
	5	1	<b>2W-2662</b>	4	SEAT-SPRING						
R	6	1	<b>7W-1063</b>	1	CYLINDER HEAD AS						
	7	1	<b>7N-1902</b>	2	DOWEL						
	8	1	<b>9S-8002</b>	4	PLUG (7/16-20-THD)						
	8A	1	<b>3J-7354</b>	4	SEAL-O-RING						
	9	1	<b>3B-0623</b>	7	PLUG-CUP						
	10	1	<b>3B-0645</b>	5	PLUG-CUP						
	11	1	<b>1W-1801</b>	4	INSERT-VALVE SEAT						
	12	1	<b>7N-1819</b>	4	GUIDE-VALVE						
	13	1	<b>4D-0514</b>	1	PLUG-PIPE						
	14	1	<b>4W-1300</b>	4	VALVE-EXHAUST & INLET						

R - REMANUFACTURED PART MAY BE AVAILABLE



GRAPHIC #1

<END>

g00708455

# BASIC ENGINE

## 7W-2234 CYLINDER HEAD GP

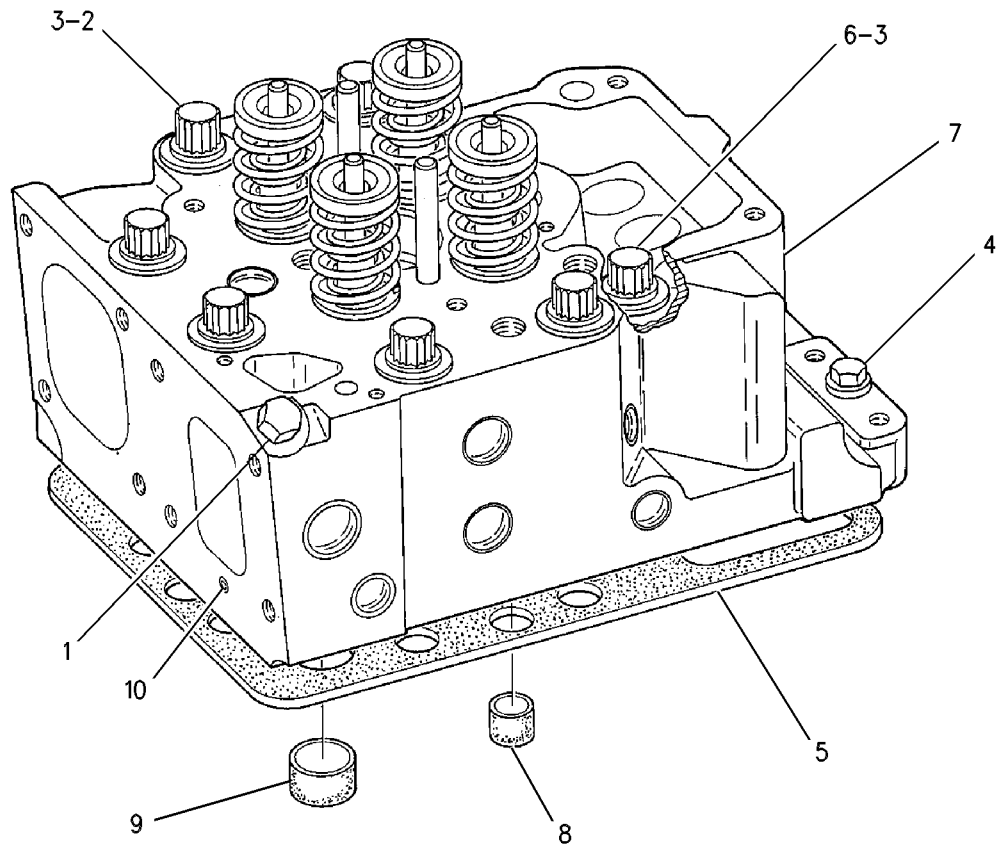
S/N: 50Y647; 66Z190-206

SMCS-1100

i00935733

NOTE	REF NO	GRAPHIC REF	PART NUMBER	QTY	PART NAME						SEE PAGE
					1	2	3	4	5	6 (PRODUCT LEVEL)	
	1	1	<b>5B-7890</b>	1	PLUG-PIPE						
	2	1	<b>7N-1961</b>	6	BOLT-12 POINT HEAD (3/4-16X8.5-IN)						
	3	1	<b>5P-8248</b>	8	WASHER-HARD (20X36.5X3.5-MM THK)						
	4	1	<b>0L-2070</b>	2	BOLT (3/8-16X2.25-IN)						
		1	<b>5M-2894</b>	2	WASHER-HARD (10.2X18.5X2.5-MM THK)						
	5	1	<b>7N-1899</b>	1	GASKET-CYLINDER HEAD						
	6	1	<b>7N-1901</b>	2	BOLT (3/4-16X6.5-IN)						
Y	7	1	7W-2233	1	CYLINDER HEAD GP						168
	8	1	<b>7W-0373</b>	4	SEAL						
	9	1	<b>7W-0374</b>	4	SEAL						
B	10	1	<b>4D-0514</b>	1	PLUG-PIPE						

B - USE AS REQUIRED  
Y - SEPARATE ILLUSTRATION



GRAPHIC #1

<END>

g00281717

# BASIC ENGINE

## 100-4324 DAMPER GP

S/N: 50Y1116-1304; 66Z190-578  
PART OF 108-1290, 8N-0339 DAMPER GP  
ALSO AN ATTACHMENT

SMCS-1205

i01329141

NOTE	PART NUMBER	QTY	PART NAME 1 2 3 4 5 6 (PRODUCT LEVEL)	SEE PAGE
Y	6I-3697	1	DAMPER GP	175
			-OR-	
Y	7C-9641	1	DAMPER GP	178
Y - SEPARATE ILLUSTRATION				
<END>				

## 100-4325 DAMPER GP

PART OF 7W-0284 MOUNTING GP-HYD PUMP DRIVE, 7W-0282 POWER TAKE-OFF GP  
AN ATTACHMENT AND FIELD INSTALLATION

SMCS-1205

i01337726

NOTE	PART NUMBER	QTY	PART NAME 1 2 3 4 5 6 (PRODUCT LEVEL)	SEE PAGE
Y	6I-3699	1	DAMPER GP	176
			-OR-	
Y	7C-9639	1	DAMPER GP	177
Y - SEPARATE ILLUSTRATION				
<END>				

# BASIC ENGINE

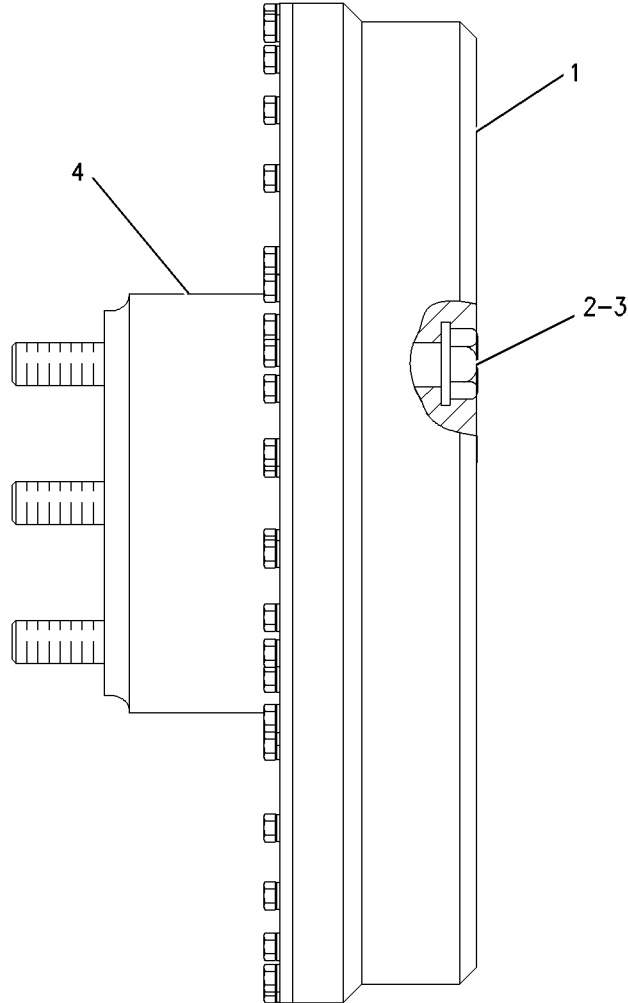
## 108-1290 DAMPER GP FOR USE WITH FRONT TRUNNION AN ATTACHMENT

SMCS-1205

i01314594

NOTE	REF NO	GRAPHIC REF	PART NUMBER	QTY	PART NAME						SEE PAGE
					1	2	3	4	5	6 (PRODUCT LEVEL)	
Y	1	1	<b>100-4324</b>	1	DAMPER GP						170
B	2	1	<b>8S-4757</b>	6	BOLT (1-14X8-IN)						
B	3	1	<b>5P-8250</b>	6	WASHER (28X49X5-MM THK)						
	4	1	<b>1N-3482</b>	1	ADAPTER						

B - USE AS REQUIRED  
Y - SEPARATE ILLUSTRATION



GRAPHIC #1

<END>

g00695922

# BASIC ENGINE

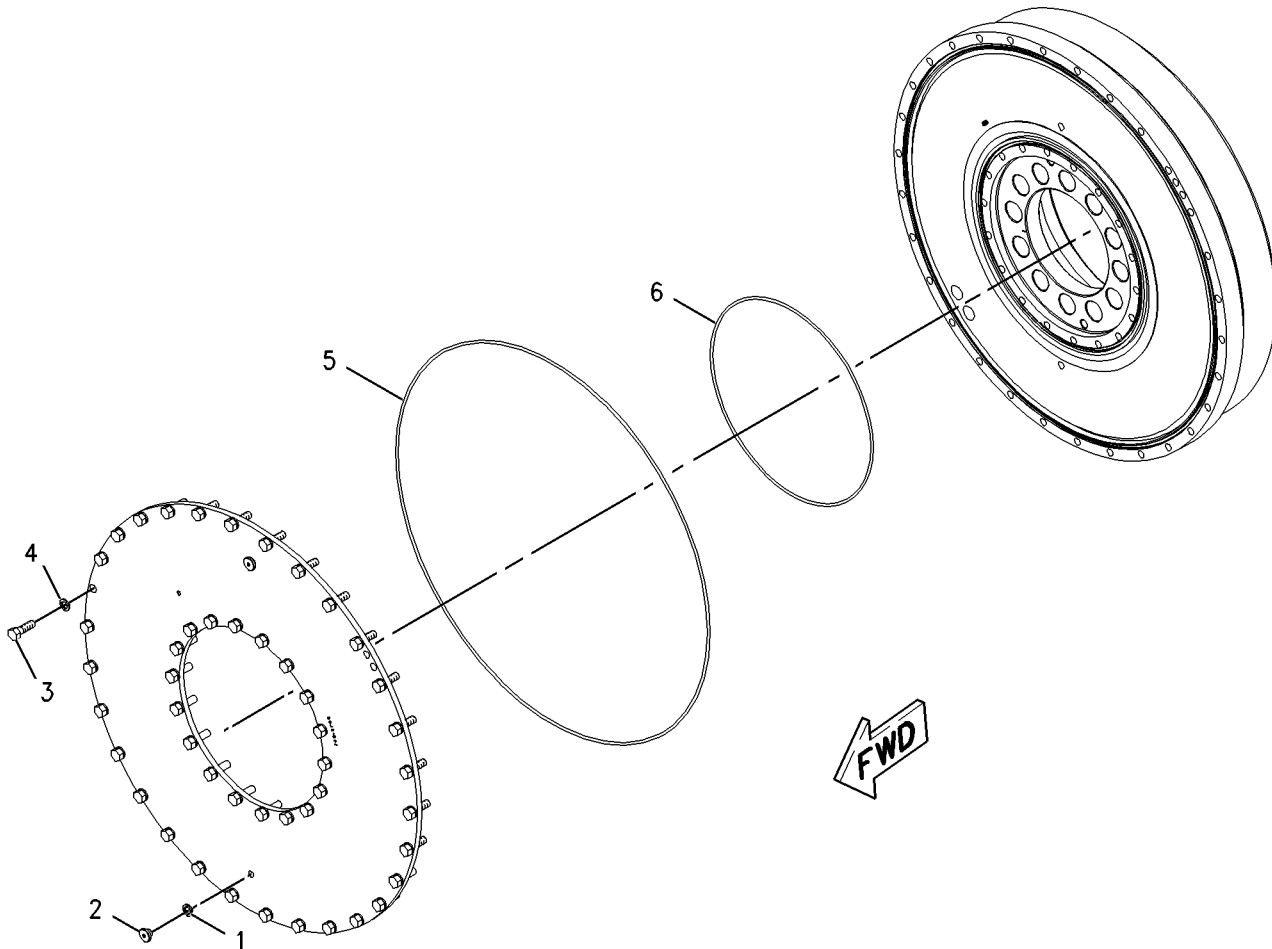
## 146-3740 DAMPER GP\*R

PART OF 8N-0339 DAMPER GP  
AN ATTACHMENT

SMCS-1205

i05591249

NOTE	REF NO	GRAPHIC REF	PART NUMBER	QTY	PART NAME						SEE PAGE
					1	2	3	4	5	6	
	1	1	<b>151-9263</b>	2	WASHER (10.35X16X2-MM THK)						
	2	1	<b>227-3801</b>	2	PLUG						
	3	1	<b>1A-2029</b>	48	BOLT (3/8-16X1.125-IN)						
	4	1	<b>3V-2431</b>	48	WASHER (10.2X16X2-MM THK)						
	5	1	<b>4D-0449</b>	1	SEAL-O-RING						
	6	1	<b>6V-7991</b>	1	SEAL-O-RING						
AVAILABLE REPAIR KIT(S) :											
			<b>420-8780</b>	1	KIT-DAMPER (INCLUDES SCREWS, WASHERS, PLUGS, O-RINGS, & BEARINGS)						
			<b>420-8781</b>	1	KIT-DAMPER (INCLUDES WASHERS & PLUGS)						
			<b>437-9760</b>	1	KIT-DAMPER (INCLUDES SILICONE)						
			<b>441-4878</b>	1	KIT-DAMPER (INCLUDES CARTRIDGE)						



GRAPHIC #1

<END>

g00995286

# BASIC ENGINE

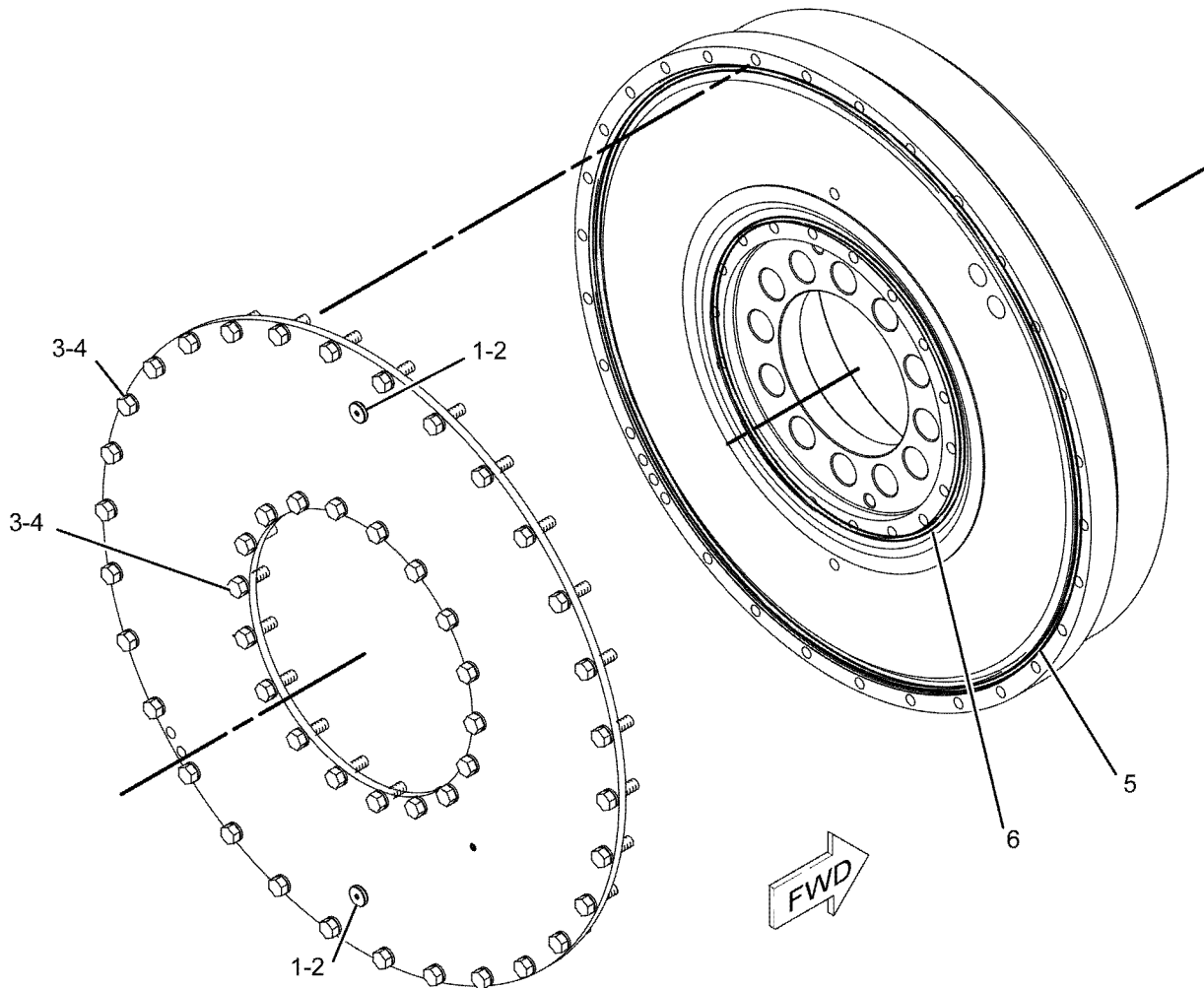
## 171-4571 DAMPER GP\*R

PART OF 7W-0284 MOUNTING GP-HYD PUMP DRIVE, 7W-0282 POWER TAKE-OFF GP  
AN ATTACHMENT

SMCS-1205

i07218359

NOTE	REF NO	GRAPHIC REF	PART NUMBER	QTY	PART NAME						SEE PAGE
					1	2	3	4	5	6	
	1	1	<b>151-9263</b>	2	WASHER (10.35X16X2-MM THK)						
	2	1	<b>227-3801</b>	2	PLUG						
	3	1	<b>1A-2029</b>	48	BOLT (3/8-16X1.125-IN)						
	4	1	<b>3V-2431</b>	48	WASHER (10.2X16X2-MM THK)						
	5	1	<b>4D-0449</b>	1	SEAL-O-RING						
	6	1	<b>6V-7991</b>	1	SEAL-O-RING						
					AVAILABLE REPAIR KIT(S) :						
			<b>420-8780</b>	1	KIT-DAMPER (INCLUDES SCREWS, WASHERS, PLUGS, SEALS, BEARING ELEMENTS & SEALING WASHERS)						
			<b>420-8781</b>	1	KIT-DAMPER (INCLUDES WASHERS & PLUGS)						
			<b>437-9760</b>	1	KIT-DAMPER (INCLUDES CARTRIDGE FILLED WITH SILICONE FLUID)						
			<b>441-4878</b>	1	KIT-DAMPER (INCLUDES EMPTY CARTRIDGE)						



GRAPHIC #1

<END>

g01150378

# BASIC ENGINE

## 1N-3500 DAMPER GP

S/N: 50Y647-665; 66Z190-578

PART OF 8N-0339 DAMPER GP, 7W-0284 MOUNTING GP-HYD PUMP DRIVE, 7W-0282 POWER TAKE-OFF GP

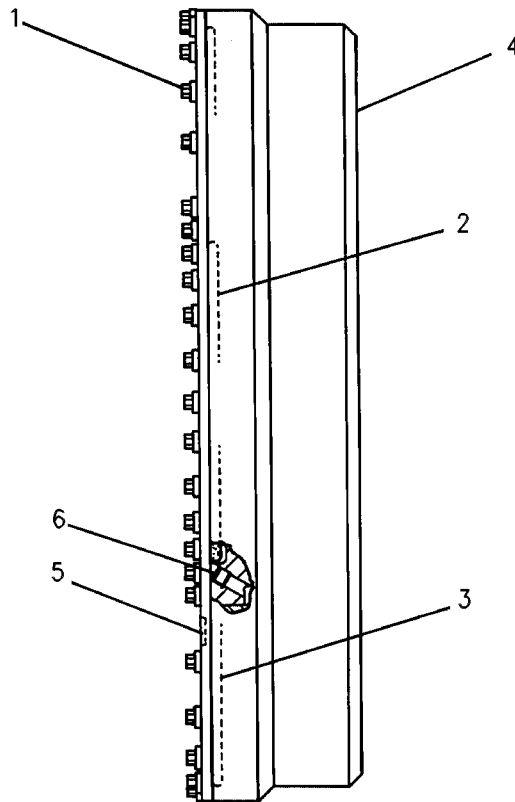
ALSO AN ATTACHMENT

SMCS-1205

i00968699

NOTE	REF NO	GRAPHIC REF	PART NUMBER	QTY	PART NAME						SEE PAGE
					1	2	3	4	5	6 (PRODUCT LEVEL)	
C	1	1	<b>1A-2029</b>	42	BOLT (3/8-16X1.125-IN)						
C		1	<b>3V-2431</b>	42	WASHER (10.2X16X2-MM THK)						
	2	1	<b>8J-8879</b>	1	SEAL-O-RING						
	3	1	<b>4D-0449</b>	1	SEAL-O-RING						
C	4	1	<b>1W-6441</b>	1	CASE AS-DAMPER						
		1	<b>7N-2043</b>	2	DOWEL						
C	5	1	<b>5M-9709</b>	2	PLUG-EXPANSION						
C	6	1	<b>9F-2247</b>	2	PLUG-PIPE						

C - CHANGE FROM PREVIOUS TYPE



GRAPHIC #1

<END>

g00501579



# BASIC ENGINE

## 6I-3697 DAMPER GP

S/N: 50Y1116-1304; 66Z190-578

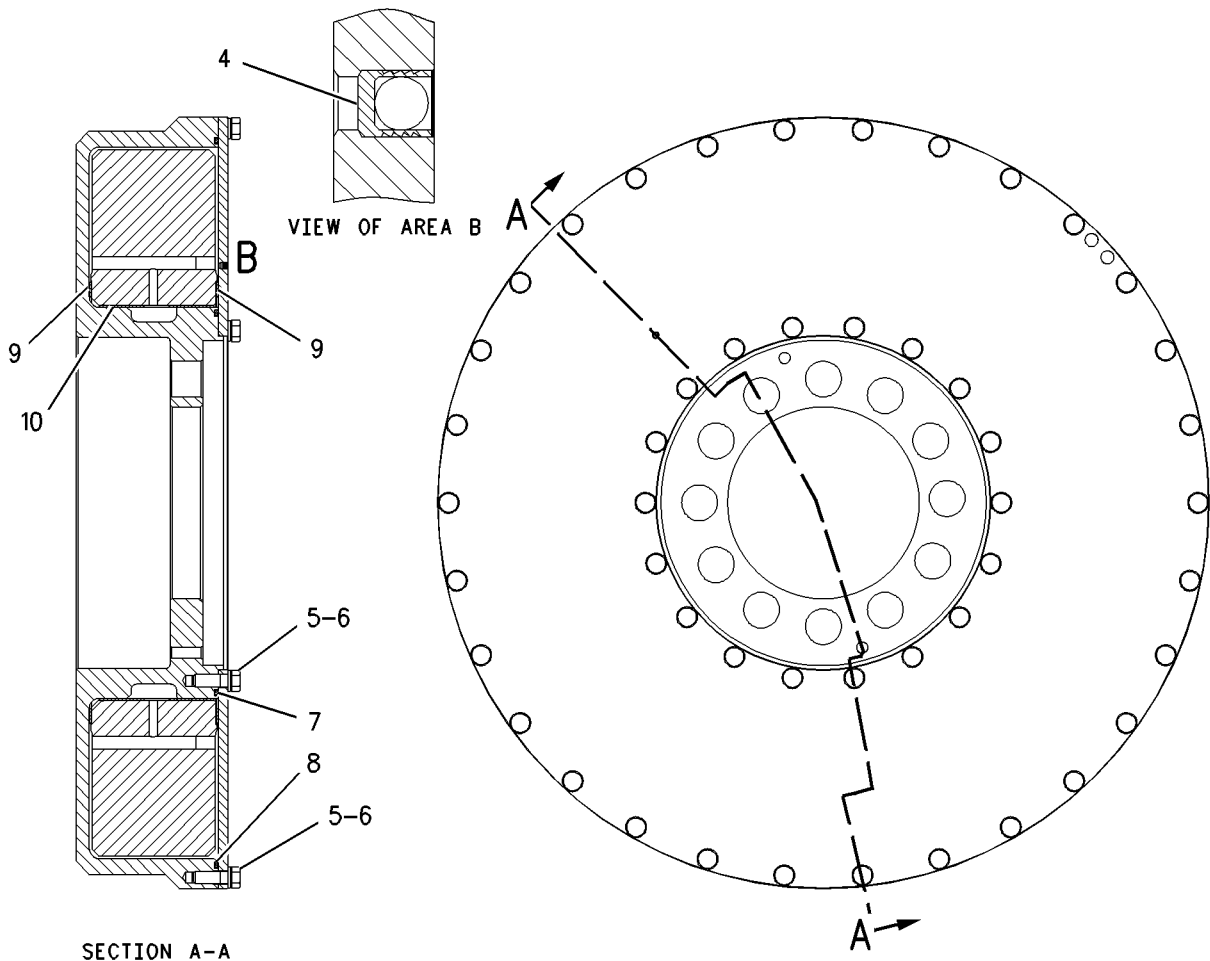
PART OF 100-4324 DAMPER GP

ALSO AN ATTACHMENT

SMCS-1205

i01886634

NOTE	REF NO	GRAPHIC REF	PART NUMBER	QTY	PART NAME						SEE PAGE
					1	2	3	4	5	6 (PRODUCT LEVEL)	
	4	1	<b>9W-7783</b>	1	PLUG						
	5	1	<b>1A-2029</b>	48	BOLT (3/8-16X1.125-IN)						
	6	1	<b>3V-2431</b>	48	WASHER (10.2X16X2-MM THK)						
	7	1	<b>6V-7991</b>	1	SEAL-O-RING						
	8	1	<b>4D-0449</b>	1	SEAL-O-RING						
	9	1	<b>7C-9689</b>	2	BEARING-THRUST						
	10	1	<b>7C-9688</b>	1	BEARING-RADIAL						



SECTION A-A

GRAPHIC #1

<END>

g00714566

# BASIC ENGINE

## 6I-3699 DAMPER GP

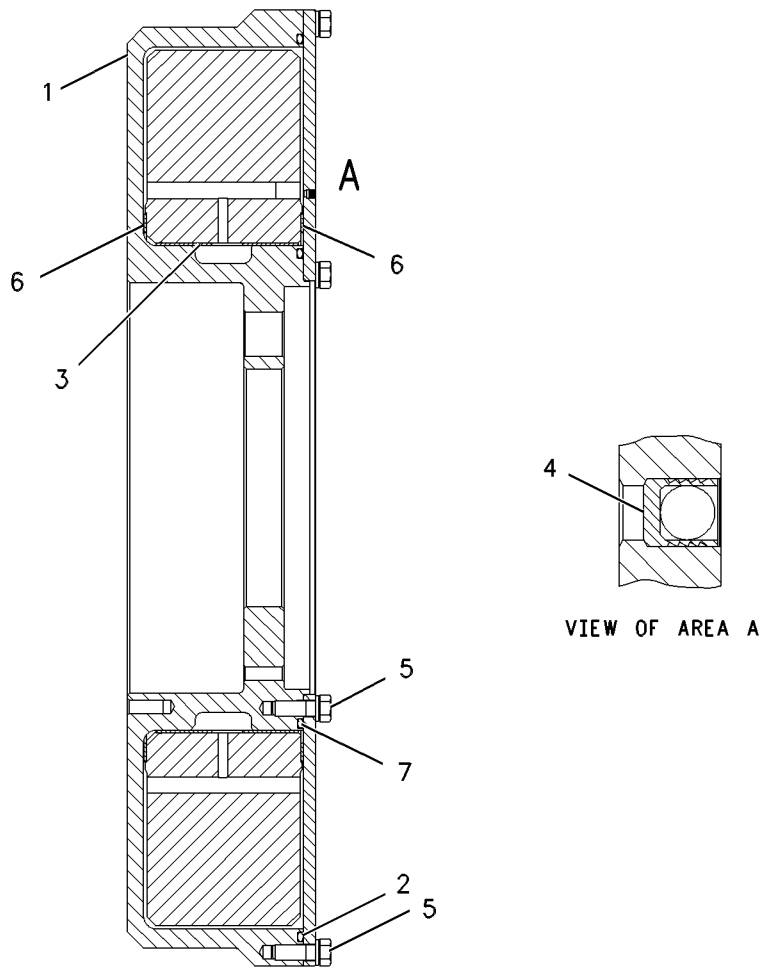
FIELD REPLACEMENT ORDER 171-4571-PAGE: 173

PART OF 100-4325 DAMPER GP  
AN ATTACHMENT

SMCS-1205

i01886674

NOTE	REF NO	GRAPHIC REF	PART NUMBER	QTY	PART NAME						SEE PAGE
					1	2	3	4	5	6	
	1	1	<b>6I-4488</b>	1	CASE-DAMPER						
	2	1	<b>4D-0449</b>	1	SEAL-O-RING						
	3	1	<b>7C-9688</b>	1	BEARING-RADIAL						
	4	1	<b>9W-7783</b>	1	PLUG						
	5	1	<b>1A-2029</b>	48	BOLT (3/8-16X1.125-IN)						
		1	<b>3V-2431</b>	48	WASHER (10.2X16X2-MM THK)						
	6	1	<b>7C-9689</b>	2	BEARING-THRUST						
	7	1	<b>6V-7991</b>	1	SEAL-O-RING						



GRAPHIC #1

<END>

g00621394

# BASIC ENGINE

## 7C-9639 DAMPER GP

FIELD REPLACEMENT ORDER 171-4571-PAGE: 173

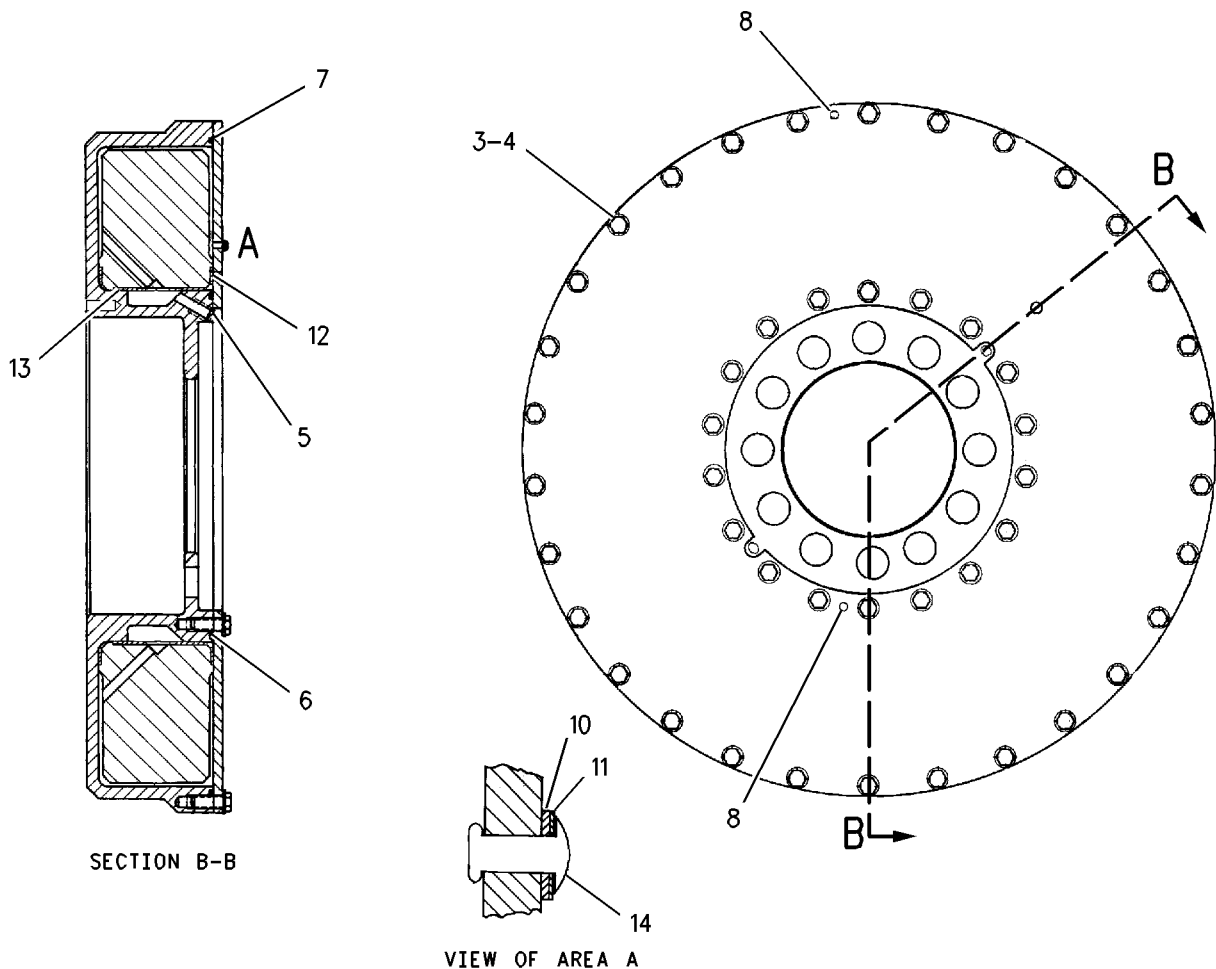
PART OF 100-4325 DAMPER GP, 7W-0284 MOUNTING GP-HYD PUMP DRIVE, 7W-0282 POWER TAKE-OFF GP

### AN ATTACHMENT AND FIELD INSTALLATION

SMCS-1205

i01886801

NOTE	REF NO	GRAPHIC REF	PART NUMBER	QTY	PART NAME						SEE PAGE
					1	2	3	4	5	6 (PRODUCT LEVEL)	
	3	1	<b>1A-2029</b>	48	BOLT (3/8-16X1.125-IN)						
	4	1	<b>3V-2431</b>	48	WASHER (10.2X16X2-MM THK)						
	5	1	<b>9F-2247</b>	2	PLUG-PIPE						
	6	1	<b>6V-7991</b>	1	SEAL-O-RING						
	7	1	<b>4D-0449</b>	1	SEAL-O-RING						
	8	1	<b>7N-2043</b>	2	DOWEL						
	10	1	<b>9X-7258</b>	1	WASHER-PLASTIC (4.9X11.13X0.74-MM THK)						
	11	1	<b>9M-0387</b>	1	SEAT-VALVE SPRING						
	12	1	<b>7C-9689</b>	2	BEARING-THRUST						
	13	1	<b>7C-9688</b>	1	BEARING-RADIAL						
	14	1	<b>9X-6260</b>	1	RIVET-POP						



GRAPHIC #1

<END>

g00717932

# BASIC ENGINE

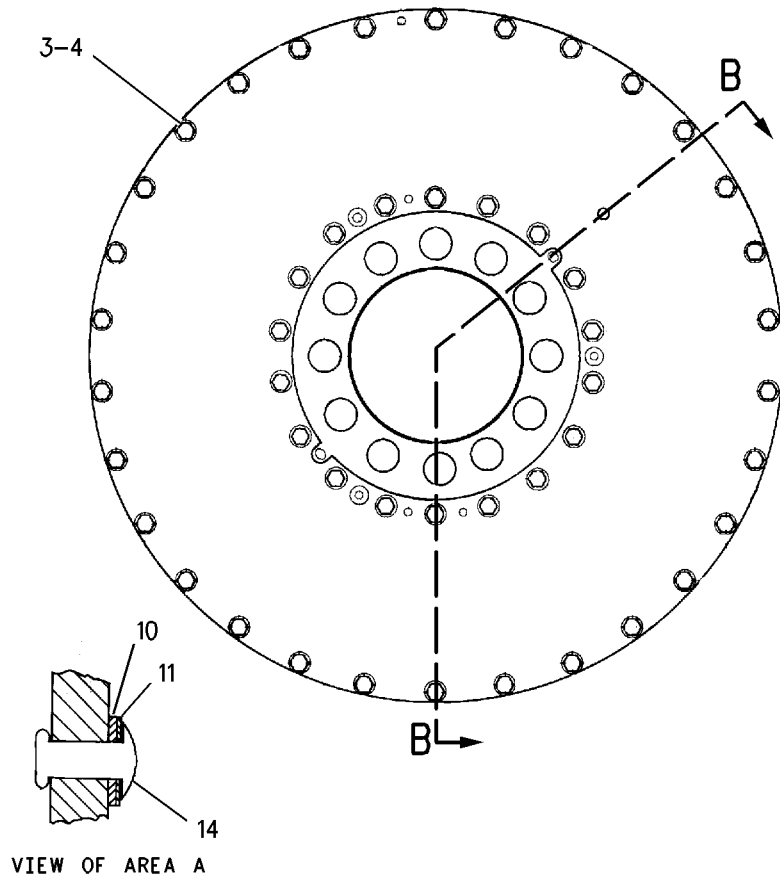
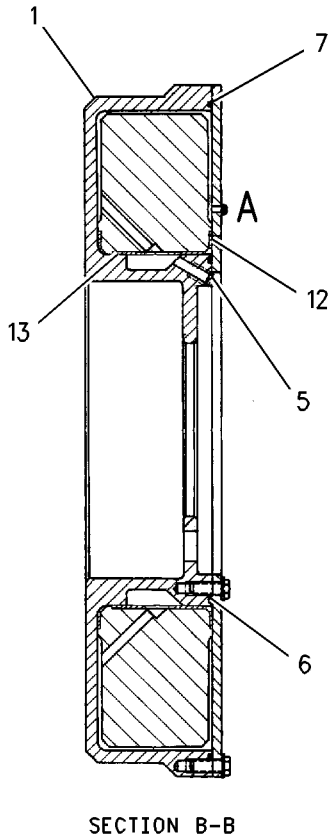
## 7C-9641 DAMPER GP

S/N: 50Y720-1304; 66Z190-578  
 PART OF 100-4324, 8N-0339 DAMPER GP  
 ALSO AN ATTACHMENT

SMCS-1205

i01886961

NOTE	REF NO	GRAPHIC REF	PART NUMBER	QTY	PART NAME						SEE PAGE
					1	2	3	4	5	6	
	1	1	7W-4422	1	CASE AS-DAMPER						
		1	7N-2043	2	DOWEL						
	3	1	1A-2029	48	BOLT (3/8-16X1.125-IN)						
	4	1	3V-2431	48	WASHER (10.2X16X2-MM THK)						
	5	1	9F-2247	2	PLUG-PIPE						
	6	1	6V-7991	1	SEAL-O-RING						
	7	1	4D-0449	1	SEAL-O-RING						
	10	1	9X-7258	1	WASHER-PLASTIC (4.9X11.13X0.74-MM THK)						
	11	1	9M-0387	1	SEAT-VALVE SPRING						
	12	1	7C-9689	2	BEARING-THRUST						
	13	1	7C-9688	1	BEARING-RADIAL						
	14	1	9X-6260	1	RIVET-POP						



GRAPHIC #1

<END>

g00716645

# BASIC ENGINE

## 7W-3194 DAMPER GP

S/N: 50Y666-719; 66Z190-578

FIELD REPLACEMENT ORDER 7W-3368-PAGE: 180

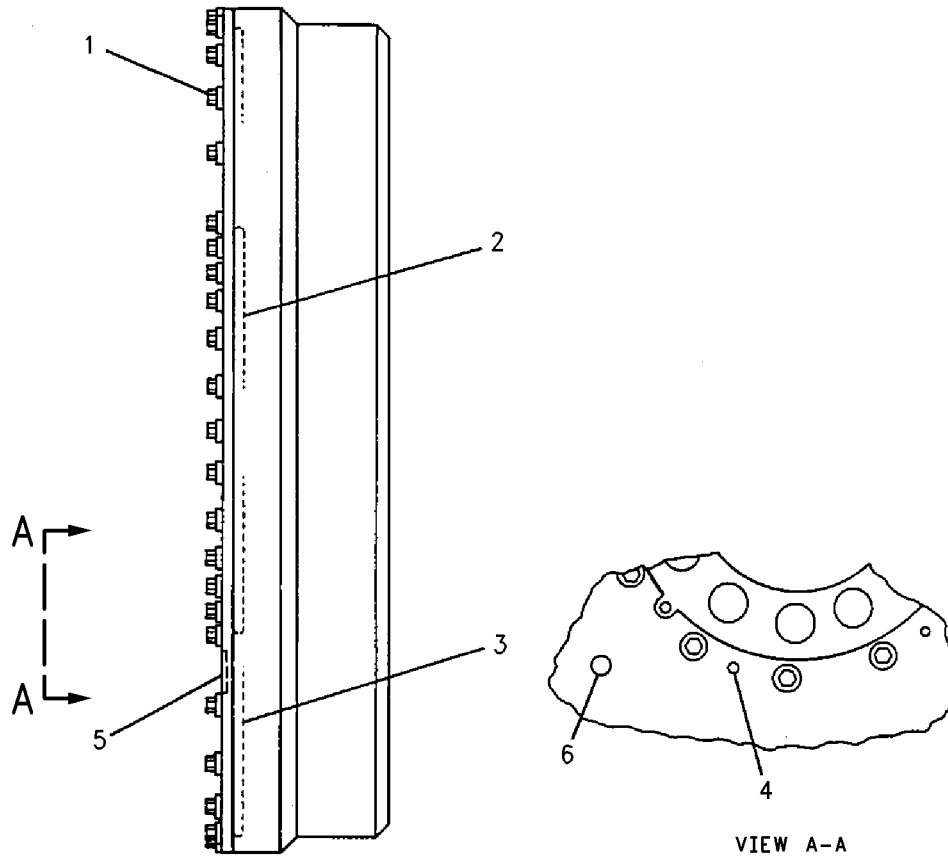
PART OF 8N-0339 DAMPER GP, 7W-0284 MOUNTING GP-HYD PUMP DRIVE, 7W-0282 POWER TAKE-OFF GP

ALSO AN ATTACHMENT

SMCS-1205

i01339656

NOTE	REF NO	GRAPHIC REF	PART NUMBER	QTY	PART NAME						SEE PAGE
					1	2	3	4	5	6 (PRODUCT LEVEL)	
	1	1	<b>1A-2029</b>	42	BOLT (3/8-16X1.125-IN)						
		1	<b>3V-2431</b>	42	WASHER (10.2X16X2-MM THK)						
	2	1	<b>6V-7991</b>	1	SEAL-O-RING						
	3	1	<b>4D-0449</b>	1	SEAL-O-RING						
	4	1	<b>7N-2043</b>	2	DOWEL						
	5	1	<b>5M-9709</b>	2	PLUG-EXPANSION						
	6	1	<b>9F-2247</b>	2	PLUG-PIPE						



GRAPHIC #1

<END>

g00708468

# BASIC ENGINE

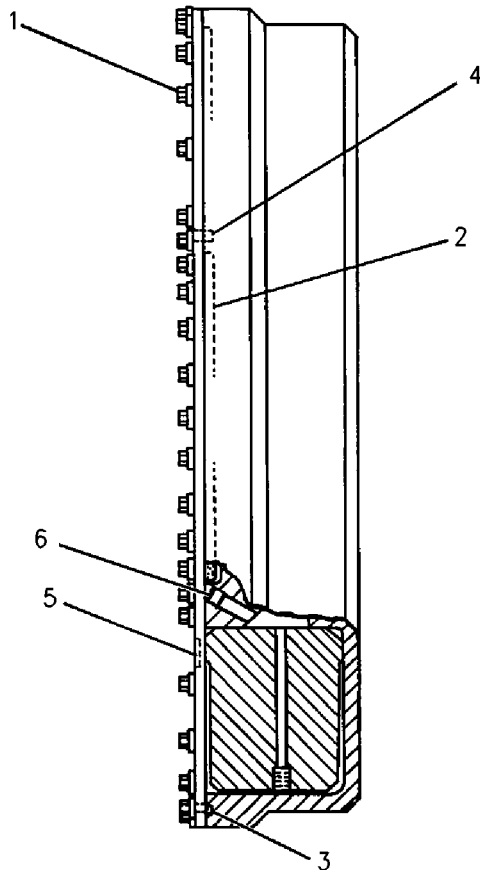
## 7W-3368 DAMPER GP

FIELD REPLACEMENT FOR 7W-3194-PAGE: 179  
 PART OF 7W-0284 MOUNTING GP-HYD PUMP DRIVE, 7W-0282 POWER TAKE-OFF GP  
 AN ATTACHMENT

SMCS-1205

i01339689

NOTE	REF NO	GRAPHIC REF	PART NUMBER	QTY	PART NAME						SEE PAGE
					1	2	3	4	5	6 (PRODUCT LEVEL)	
	1	1	<b>1A-2029</b>	42	BOLT (3/8-16X1.125-IN)						
		1	<b>3V-2431</b>	42	WASHER (10.2X16X2-MM THK)						
	2	1	<b>6V-7991</b>	1	SEAL-O-RING						
	3	1	<b>4D-0449</b>	1	SEAL-O-RING						
	4	1	<b>7N-2043</b>	2	DOWEL						
	5	1	<b>5M-9709</b>	2	PLUG-EXPANSION						
	6	1	<b>9F-2247</b>	2	PLUG-PIPE						



GRAPHIC #1

<END>

g00708478

# BASIC ENGINE

## 8N-0339 DAMPER GP

S/N: 50Y647-665; 66Z190-578

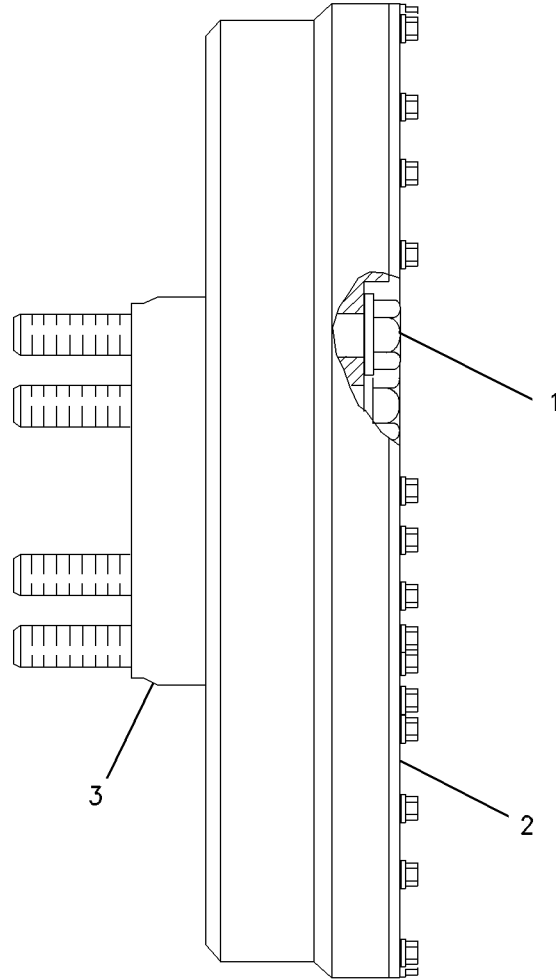
ALSO AN ATTACHMENT

SMCS-1205

i01887285

NOTE	REF NO	GRAPHIC REF	PART NUMBER	QTY	PART NAME						SEE PAGE
					1	2	3	4	5	6 (PRODUCT LEVEL)	
	1	1	<b>8S-4757</b>	6	BOLT (1-14X8-IN)						
		1	<b>5P-8250</b>	6	WASHER (28X49X5-MM THK)						
Y	2	1	<i>1N-3500</i>	1	DAMPER GP						174
	3	1	<b>1N-3482</b>	1	ADAPTER						

Y - SEPARATE ILLUSTRATION



GRAPHIC #1

<END>

g00718154

# BASIC ENGINE

## 8N-0339 DAMPER GP

S/N: 50Y666-719; 66Z190-578

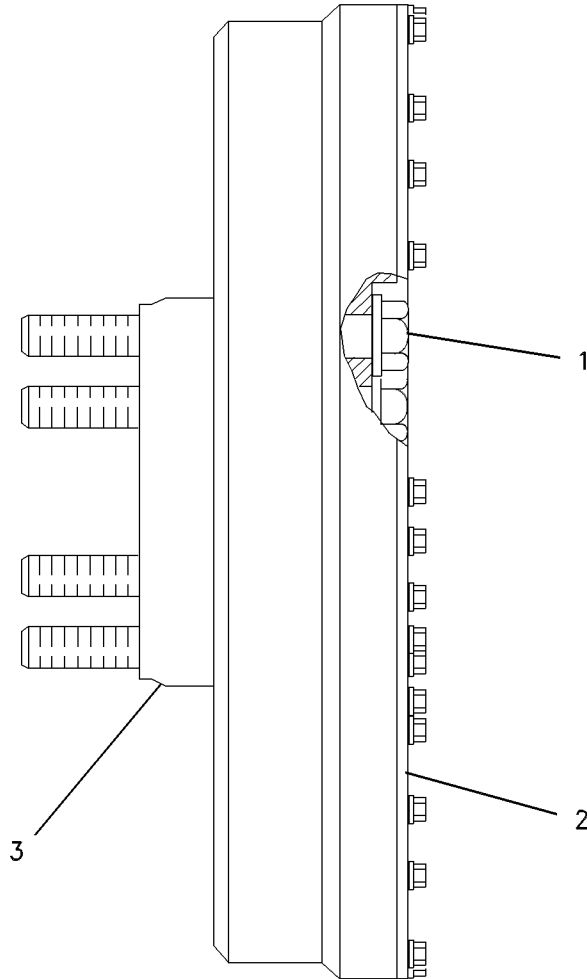
ALSO AN ATTACHMENT

SMCS-1205

i01887308

NOTE	REF NO	GRAPHIC REF	PART NUMBER	QTY	PART NAME						SEE PAGE
					1	2	3	4	5	6 (PRODUCT LEVEL)	
	1	1	<b>8S-4757</b>	6	BOLT (1-14X8-IN)						
		1	<b>5P-8250</b>	6	WASHER (28X49X5-MM THK)						
CY	2	1	<i>7W-3194</i>	1	DAMPER GP						179
	3	1	<b>1N-3482</b>	1	ADAPTER						

C - CHANGE FROM PREVIOUS TYPE  
Y - SEPARATE ILLUSTRATION



GRAPHIC #1

<END>

g00624817



# BASIC ENGINE

## 8N-0339 DAMPER GP

S/N: 50Y720-1115; 66Z190-578

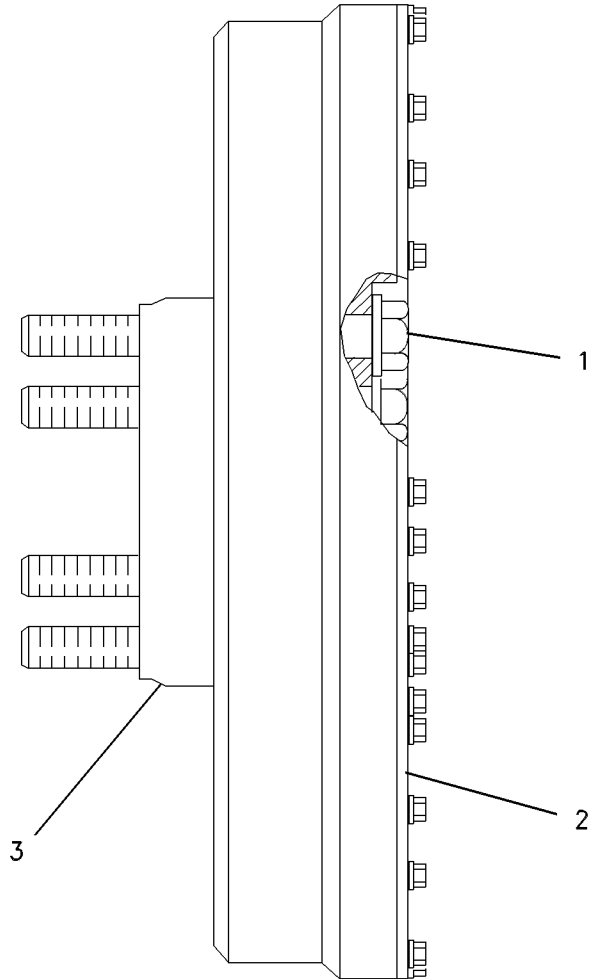
ALSO AN ATTACHMENT

SMCS-1205

i01355993

NOTE	REF NO	GRAPHIC REF	PART NUMBER	QTY	PART NAME						SEE PAGE
					1	2	3	4	5	6 (PRODUCT LEVEL)	
	1	1	<b>8S-4757</b>	6	BOLT (1-14X8-IN)						
		1	<b>5P-8250</b>	6	WASHER (28X49X5-MM THK)						
YC	2	1	<b>7C-9641</b>	1	DAMPER GP						178
	3	1	<b>1N-3482</b>	1	ADAPTER						

C - CHANGE FROM PREVIOUS TYPE  
Y - SEPARATE ILLUSTRATION



GRAPHIC #1

<END>

g00624817

# BASIC ENGINE

## 8N-0339 DAMPER GP

S/N: 50Y1116-1304; 66Z190-578

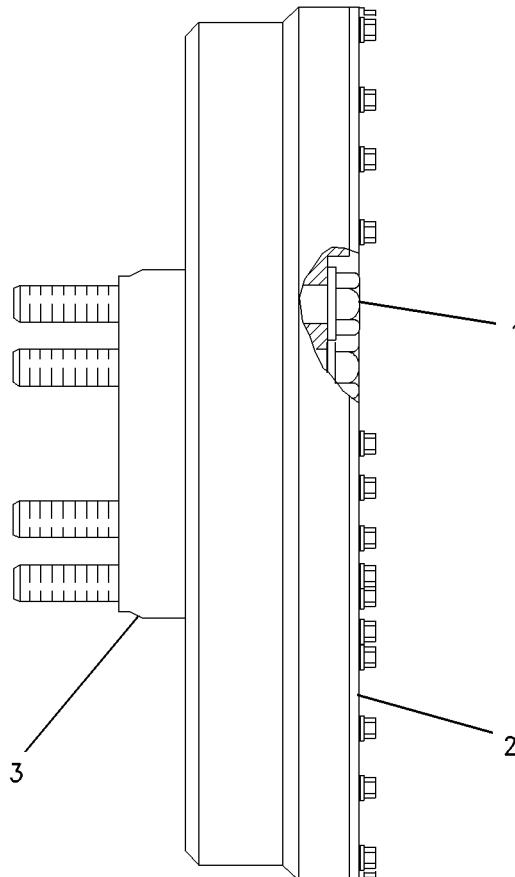
ALSO AN ATTACHMENT

SMCS-1205

i01909881

NOTE	REF NO	GRAPHIC REF	PART NUMBER	QTY	PART NAME						SEE PAGE
					1	2	3	4	5	6 (PRODUCT LEVEL)	
	1	1	<b>8S-4757</b>	6	BOLT (1-14X8-IN)						
		1	<b>5P-8250</b>	6	WASHER (28X49X5-MM THK)						
CY	2	1	<b>100-4324</b>	1	DAMPER GP						170
	3	1	<b>1N-3482</b>	1	ADAPTER						

C - CHANGE FROM PREVIOUS TYPE  
Y - SEPARATE ILLUSTRATION



RIGHT SIDE VIEW

GRAPHIC #1

<END>

g00995300

# BASIC ENGINE

## 8N-0339 DAMPER GP

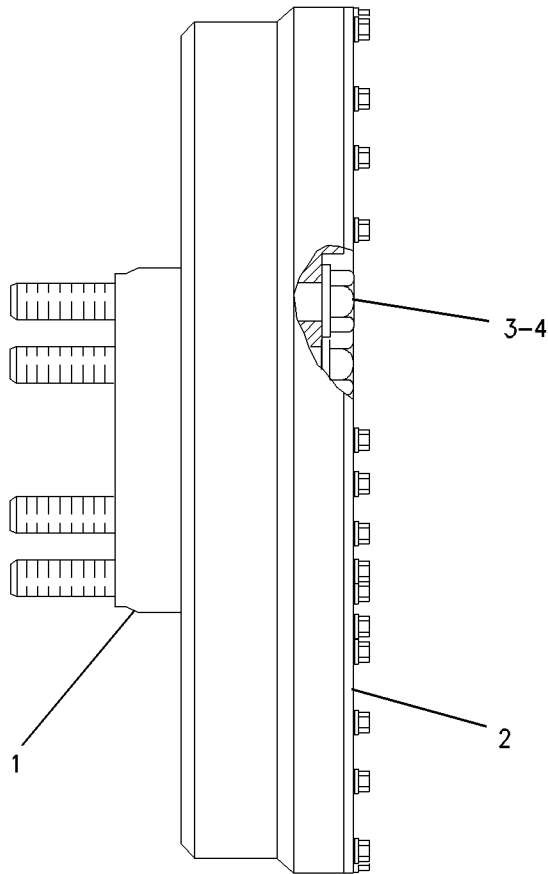
PART OF 357-0858, 376-4849 ENGINE AR-COMplete  
AN ATTACHMENT

SMCS-1205

i02327580

NOTE	REF NO	GRAPHIC REF	PART NUMBER	QTY	PART NAME						SEE PAGE
					1	2	3	4	5	6 (PRODUCT LEVEL)	
	1	1	<b>1N-3482</b>	1	ADAPTER						
CYR	2	1	<b>146-3740</b>	1	DAMPER GP						172
	3	1	<b>8S-4757</b>	6	BOLT (1-14X8-IN)						
	4	1	<b>5P-8250</b>	6	WASHER (28X49X5-MM THK)						

C - CHANGE FROM PREVIOUS TYPE  
R - REMANUFACTURED PART MAY BE AVAILABLE  
Y - SEPARATE ILLUSTRATION



RIGHT SIDE VIEW

GRAPHIC #1

<END>

g00995293

# BASIC ENGINE

## 8N-7182 DAMPER GP

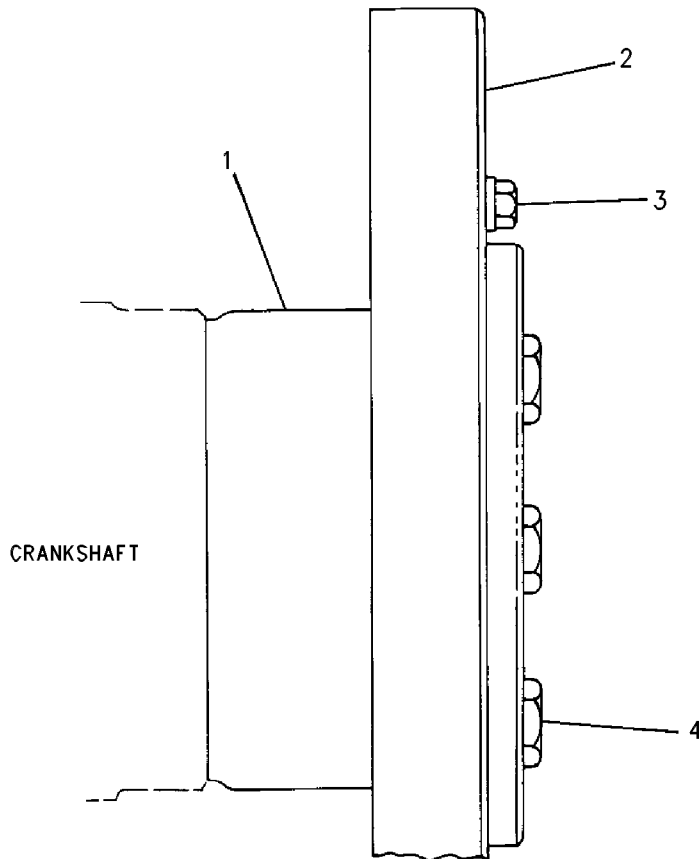
S/N: 50Y647-663

SMCS-1205

i01171053

NOTE	REF NO	GRAPHIC REF	PART NUMBER	QTY	PART NAME						SEE PAGE
					1	2	3	4	5	6 (PRODUCT LEVEL)	
	1	1	<b>1N-3415</b>	1	ADAPTER-DAMPER						
	2	1	<b>8N-6392</b>	1	DAMPER AS-VIBRATION						
	3	1	<b>7B-3235</b>	10	BOLT (1/2-13X1.375-IN)						
		1	<b>2M-0849</b>	10	WASHER-HARD (13.5X25.5X5-MM THK)						
B	4	1	<b>8S-4757</b>	6	BOLT (1-14X8-IN)						
B		1	<b>5P-8250</b>	6	WASHER (28X49X5-MM THK)						

B - USE AS REQUIRED



GRAPHIC #1

<END>

g00625298

# BASIC ENGINE

## 8N-7182 DAMPER GP

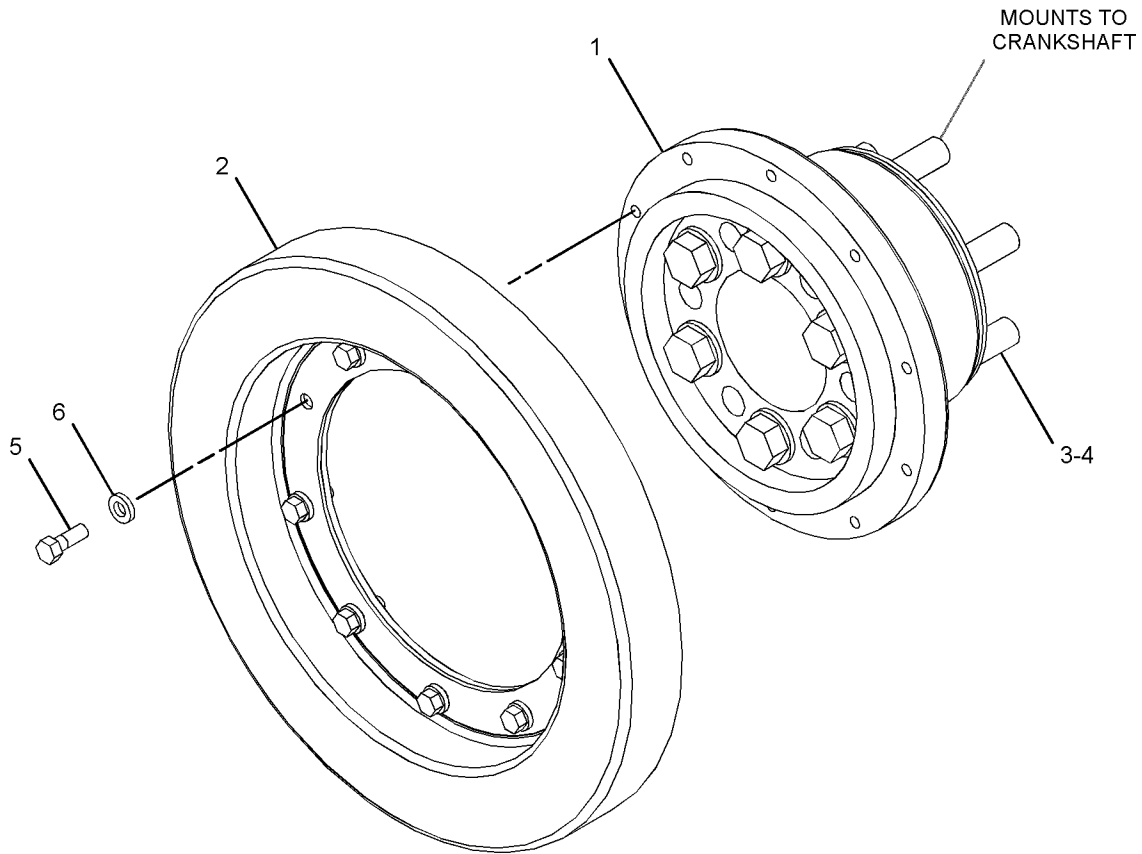
S/N: 50Y664-1304; 66Z190-578

**SMCS-1205**

**i05799955**

NOTE	REF NO	GRAPHIC REF	PART NUMBER	QTY	PART NAME						SEE PAGE
					1	2	3	4	5	6 (PRODUCT LEVEL)	
C	1	1	<b>7E-0854</b>	1	ADAPTER - DAMPER						
R	2	1	<b>193-3288</b>	1	DAMPER AS						
	3	1	<b>8S-4757</b>	6	BOLT (1-14X8-IN)						
	4	1	<b>5P-8250</b>	6	WASHER (28X49X5-MM THK)						
	5	1	<b>7B-3235</b>	10	BOLT (1/2-13X1.375-IN)						
	6	1	<b>2M-0849</b>	10	WASHER-HARD (13.5X25.5X5-MM THK)						

C - CHANGE FROM PREVIOUS TYPE  
R - REMANUFACTURED PART MAY BE AVAILABLE



GRAPHIC #1

<END>

g03414237

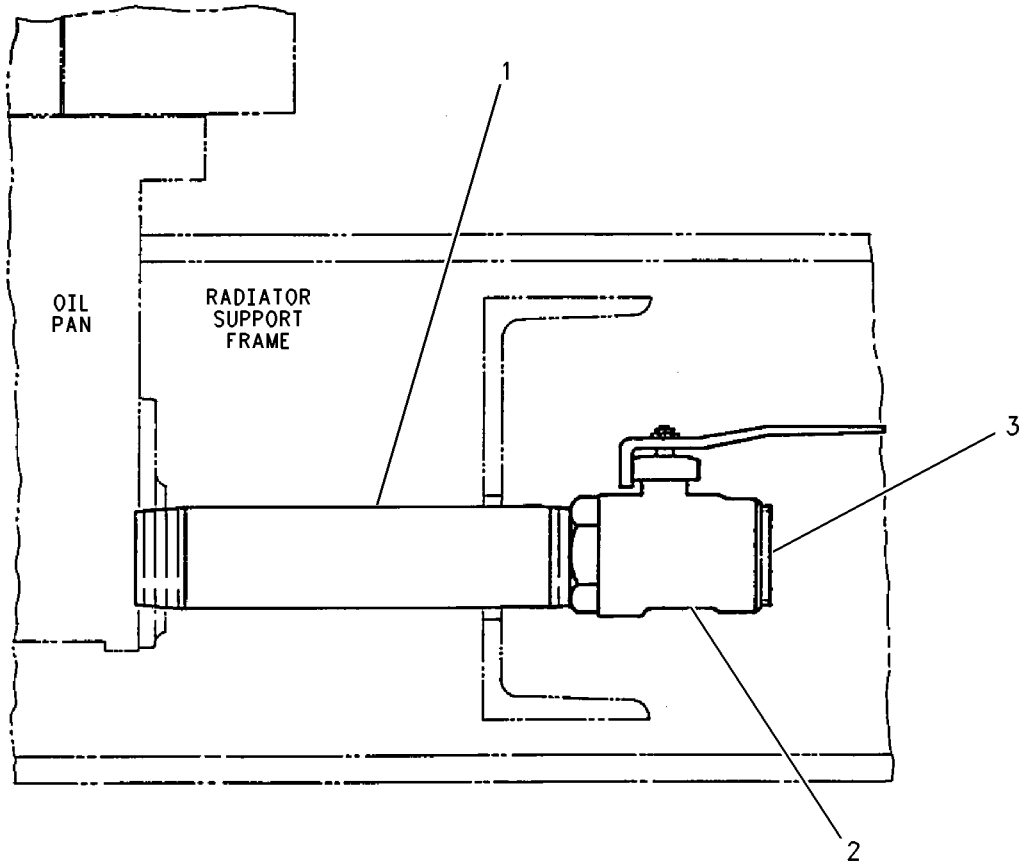
# BASIC ENGINE

## 9Y-5497 DRAIN GP-ENGINE OIL FOR USE WITH 2-INCH PIPE THREAD DRAIN COVER AN ATTACHMENT

SMCS-1302

i01761626

NOTE	REF NO	GRAPHIC REF	PART NUMBER	QTY	PART NAME						SEE PAGE
					1	2	3	4	5	6 (PRODUCT LEVEL)	
	1	1	<b>8T-3510</b>	1	NIPPLE-PIPE						
	2	1	<b>5N-9232</b>	1	VALVE (ENGINE OIL)						
	3	1	<b>9X-6138</b>	1	PLUG-PIPE						



GRAPHIC #1

<END>

g00704280

# BASIC ENGINE

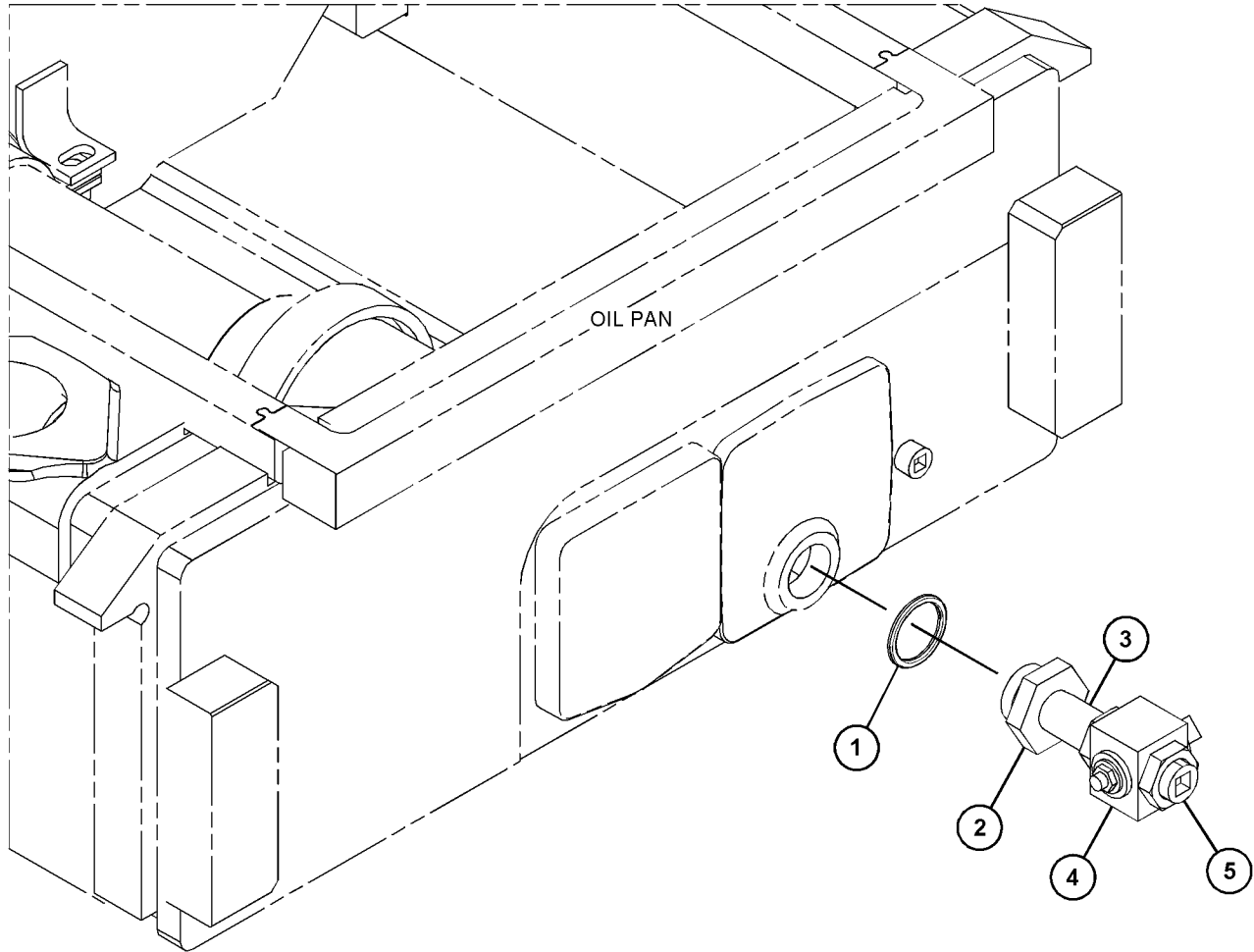
## 9Y-7876 DRAIN GP-ENGINE OIL-PAN AN ATTACHMENT

SMCS-1302

i05848964

NOTE	REF NO	GRAPHIC REF	PART NUMBER	QTY	PART NAME						SEE PAGE
					1	2	3	4	5	6 (PRODUCT LEVEL)	
	1	1	<b>6F-4868</b>	1	GASKET						
	2	1	<b>7N-6511</b>	1	ADAPTER						
	3	1	<b>1F-6660</b>	1	NIPPLE-PIPE						
	4	1	<b>9B-4202</b>	1	VALVE-DRAIN (ENGINE OIL)						
B	5	1	<b>7X-7731</b>	1	PLUG-PIPE (3/4-14-THD)						

B - USE AS REQUIRED



GRAPHIC #1

<END>

g03702787

# BASIC ENGINE

## 4W-6882 DRIVE GP-ACCESSORY

S/N: 50Y647-1304

FOR USE WITH HIGH SPEED, HYDRAMECHANICAL SHUTOFF  
 FOR USAGE REFER TO CHART 5N-5382-PAGE: 2100, 7W-7326-PAGE: 2102  
 PART OF 7W-7323 SHUTOFF GP-HYDROMECHANICAL  
 AN ATTACHMENT

SMCS-1207

i03293339

NOTE	REF NO	GRAPHIC REF	PART NUMBER	QTY	PART NAME						SEE PAGE
					1	2	3	4	5	6	
	1	1	<b>2W-1061</b>	1	HOUSING AS-DRIVE						
	1A	1	<b>5M-4987</b>	2	DOWEL						
	1B	1	<b>7N-2043</b>	2	DOWEL						
	1C	1	<b>3K-6662</b>	2	BEARING						
	1D	1	<b>1F-4622</b>	1	BEARING AS-NEEDLE						
	1E	1	<b>4S-7756</b>	1	SEAL-LIP TYPE						
	2	1	<b>0S-1588</b>	14	BOLT (3/8-16X1.25-IN)						
	3	1	<b>0S-1571</b>	5	BOLT (3/8-16X1.75-IN)						
	4	1	<b>5M-2894</b>	25	WASHER-HARD (10.2X18.5X2.5-MM THK)						
	5	1	<b>7N-4320</b>	1	GASKET						
	6	1	<b>7N-7296</b>	1	GEAR (29-TEETH)						
B	7	1	<b>3P-4347</b>	1	SPACER (0.656X1.25X0.036-IN THK)						
	8	1	<b>2N-8611</b>	1	RING-RETAINING						
	9	1	<b>4W-4596</b>	1	GEAR (69-TEETH)						
	10	1	<b>9X-8887</b>	1	BOLT (3/4-10X3-IN)						
	11	1	<b>7X-7732</b>	1	PLUG-PIPE						
	12	1	<b>7N-7297</b>	1	COVER						
	13	1	<b>7N-7307</b>	1	GASKET						
	14	1	<b>9M-4202</b>	1	PLUG-DRAIN						
	15	1	<b>4B-8407</b>	1	GASKET-COPPER						
	16	1	<b>032-1267</b>	2	CONNECTOR (STRAIGHT)						
	17	1	<b>6K-9194</b>	1	ELBOW						
	18	1	<b>7N-5981</b>	1	TUBE AS						
	19	1	<b>7N-7295</b>	1	COUPLING						
	20	1	<b>7N-7308</b>	1	GASKET						
	21	1	<b>0L-1143</b>	1	BOLT (3/8-16X2.5-IN)						
	22	1	<b>8N-2934</b>	1	TUBE						
	23	1	<b>3H-0107</b>	2	SEAL-O-RING						
	24	1	<b>0S-1590</b>	4	BOLT (3/8-16X2-IN)						
	25	1	<b>9L-9653</b>	1	PLUG						
	26	1	<b>3B-1925</b>	1	WASHER (0.766X1X0.064-IN THK)						
	27	1	<b>5P-8248</b>	1	WASHER-HARD (20X36.5X3.5-MM THK)						
	28	1	<b>0S-1591</b>	1	BOLT (3/8-16X1.5-IN)						
	29	1	<b>9S-0211</b>	2	CLAMP-METER						
	30	1	<b>0S-1615</b>	2	BOLT (1/4-20X0.75-IN)						
	31	1	<b>4M-8303</b>	1	SEAL-O-RING						
	32	1	<b>7N-4076</b>	1	COVER						
	33	1	<b>8T-6764</b>	1	PLUG-PIPE (1/8-27-THD)						

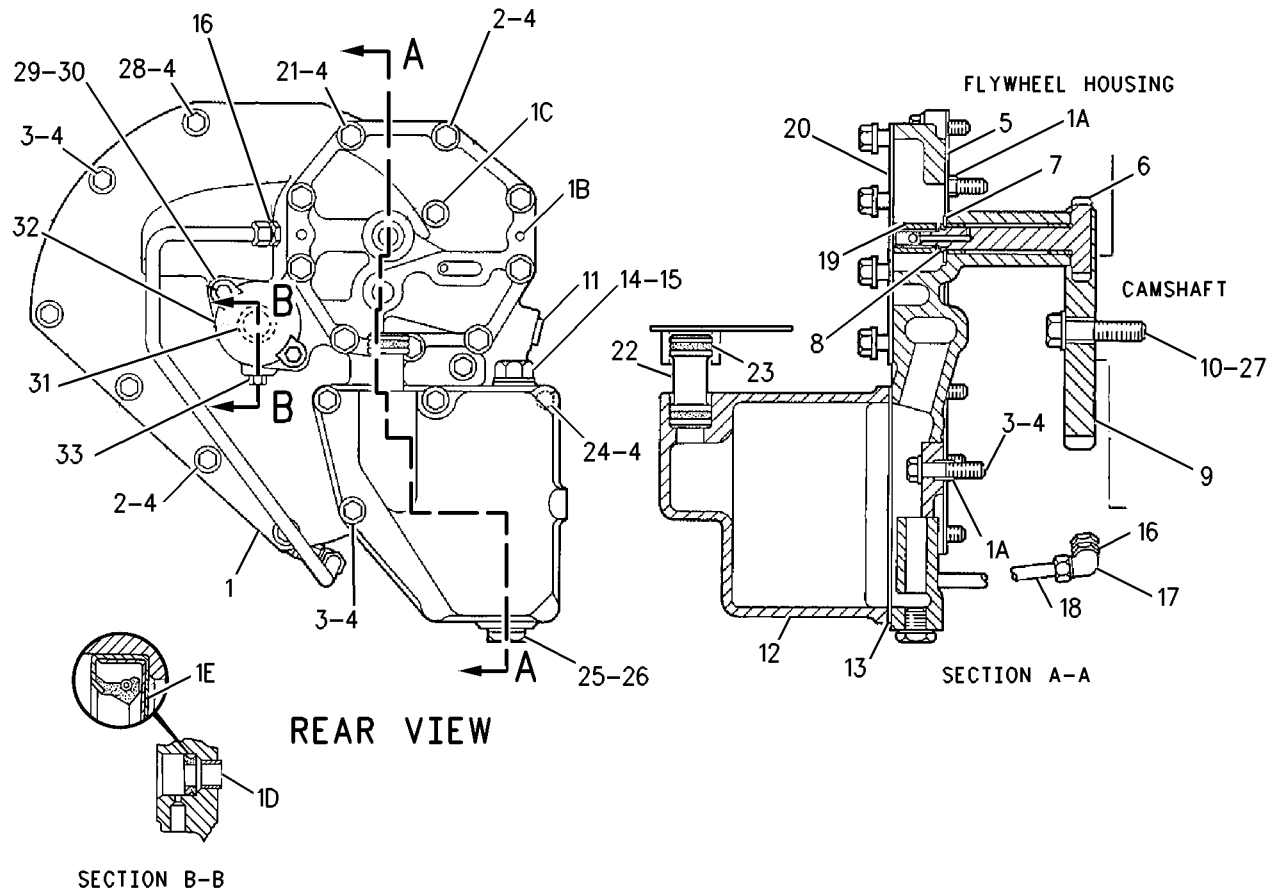
B - USE AS REQUIRED



# BASIC ENGINE

4W-6882 DRIVE GP-ACCESSORY (contd.)

103293339



GRAPHIC #1

<END>

g00899149

# BASIC ENGINE

## 4W-6883 DRIVE GP-ACCESSORY

S/N: 66Z190-578

SHUT-OFF-LOW SPEED

PART OF 7W-7322 SHUTOFF GP-ELECTRICAL  
AN ATTACHMENT

SMCS-1207

i03293341

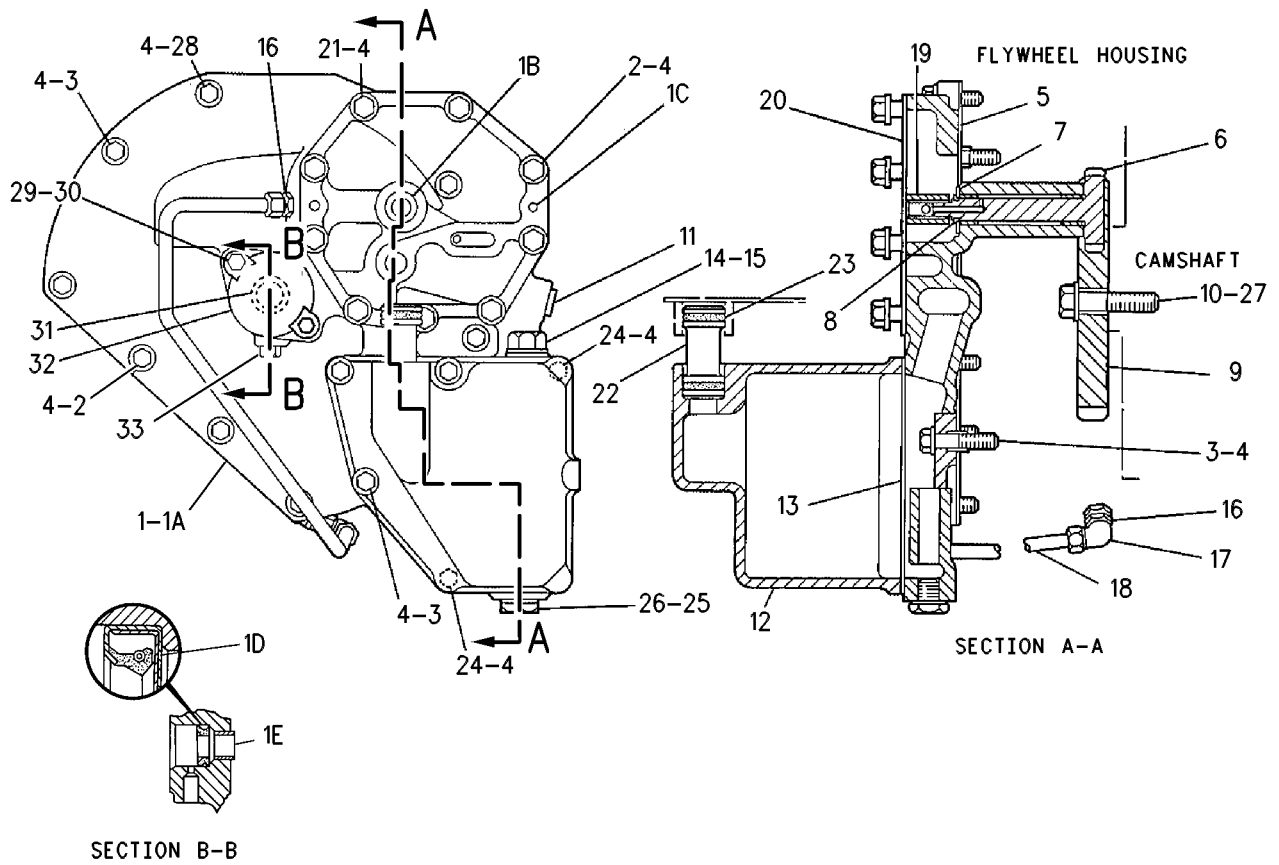
NOTE	REF NO	GRAPHIC REF	PART NUMBER	QTY	PART NAME						SEE PAGE
					1	2	3	4	5	6 (PRODUCT LEVEL)	
	1	1	<b>2W-1061</b>	1	HOUSING AS-DRIVE						
	1A	1	<b>8M-8489</b>	2	DOWEL						
	1B	1	<b>3K-6662</b>	2	BEARING						
	1C	1	<b>7N-2043</b>	2	DOWEL						
	1D	1	<b>4S-7756</b>	1	SEAL-LIP TYPE						
	1E	1	<b>1F-4622</b>	1	BEARING AS-NEEDLE						
	2	1	<b>0S-1588</b>	14	BOLT (3/8-16X1.25-IN)						
	3	1	<b>0S-1571</b>	5	BOLT (3/8-16X1.75-IN)						
	4	1	<b>5M-2894</b>	25	WASHER-HARD (10.2X18.5X2.5-MM THK)						
	5	1	<b>7N-4320</b>	1	GASKET						
	6	1	<b>8N-9554</b>	1	GEAR (24-TEETH)						
B	7	1	<b>3P-4347</b>	1	SPACER (0.656X1.25X0.036-IN THK)						
	8	1	<b>2N-8611</b>	1	RING-RETAINING						
	9	1	<b>4W-4595</b>	1	GEAR (75-TEETH)						
	10	1	<b>9X-8887</b>	1	BOLT (3/4-10X3-IN)						
	11	1	<b>7X-7732</b>	1	PLUG-PIPE						
	12	1	<b>7N-7297</b>	1	COVER						
	13	1	<b>7N-7307</b>	1	GASKET						
	14	1	<b>9M-4202</b>	1	PLUG-DRAIN						
	15	1	<b>4B-8407</b>	1	GASKET-COPPER						
	16	1	<b>032-1267</b>	2	CONNECTOR (STRAIGHT)						
	17	1	<b>6K-9194</b>	1	ELBOW						
	18	1	<b>7N-5981</b>	1	TUBE AS						
	19	1	<b>7N-7295</b>	1	COUPLING						
	20	1	<b>7N-7308</b>	1	GASKET						
	21	1	<b>0L-1143</b>	1	BOLT (3/8-16X2.5-IN)						
	22	1	<b>8N-2934</b>	1	TUBE						
	23	1	<b>3H-0107</b>	2	SEAL-O-RING						
	24	1	<b>0S-1590</b>	4	BOLT (3/8-16X2-IN)						
	25	1	<b>9L-9653</b>	1	PLUG						
	26	1	<b>3B-1925</b>	1	WASHER (0.766X1X0.064-IN THK)						
	27	1	<b>5P-8248</b>	1	WASHER-HARD (20X36.5X3.5-MM THK)						
	28	1	<b>0S-1591</b>	1	BOLT (3/8-16X1.5-IN)						
	29	1	<b>9S-0211</b>	2	CLAMP-METER						
	30	1	<b>0S-1615</b>	2	BOLT (1/4-20X0.75-IN)						
	31	1	<b>4M-8303</b>	1	SEAL-O-RING						
	32	1	<b>7N-4076</b>	1	COVER						
	33	1	<b>8T-6764</b>	1	PLUG-PIPE (1/8-27-THD)						

B - USE AS REQUIRED

# BASIC ENGINE

4W-6883 DRIVE GP-ACCESSORY (contd.)

i03293341



GRAPHIC #1

<END>

g00578883

# BASIC ENGINE

## 7C-4113 DRIVE GP-ACCESSORY-UPPER, RH STANDARD ROTATION AN ATTACHMENT

SMCS-1207

i07141056

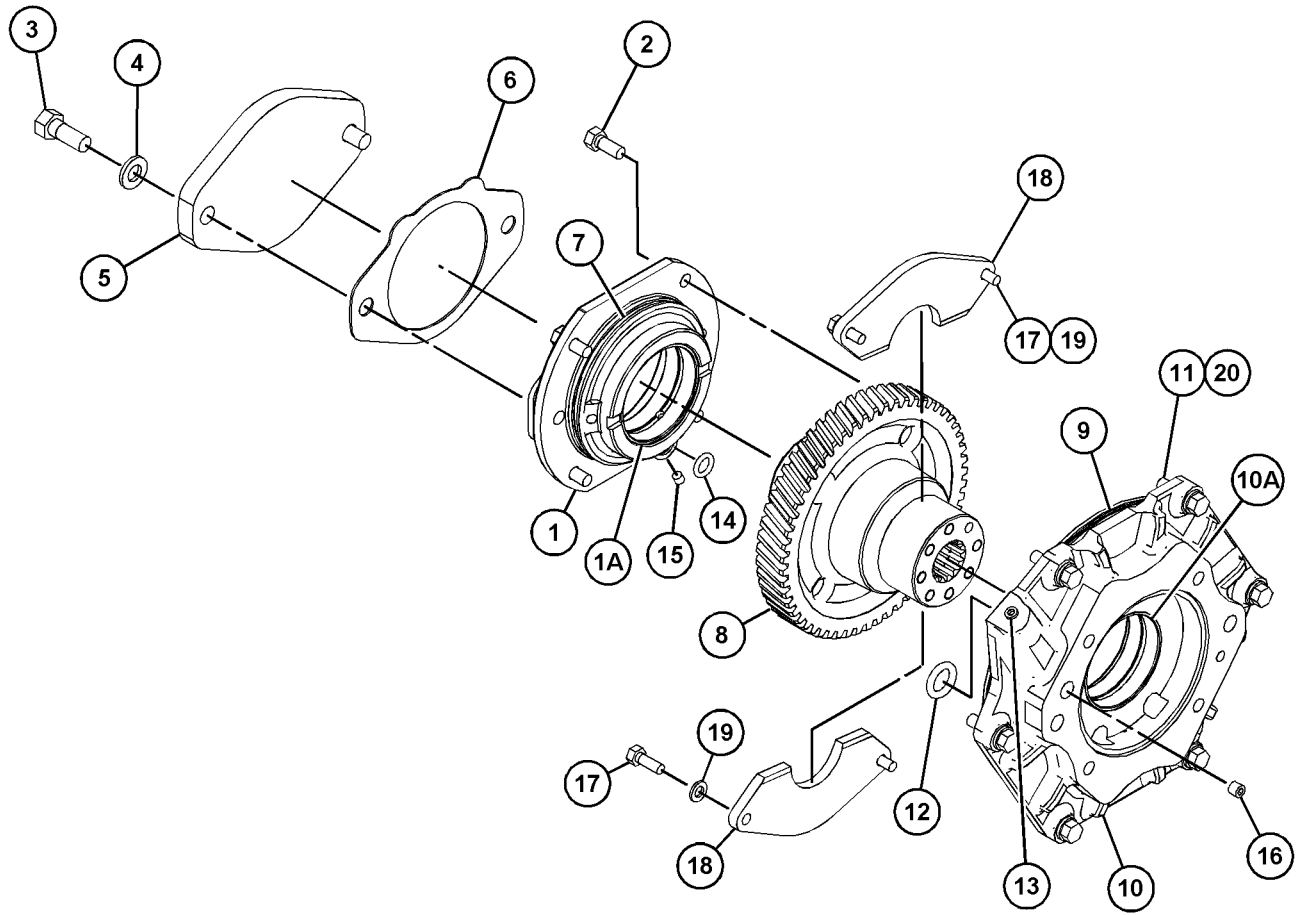
NOTE	REF NO	GRAPHIC REF	PART NUMBER	QTY	PART NAME						SEE PAGE
					1	2	3	4	5	6 (PRODUCT LEVEL)	
	1	1	<b>7C-4165</b>	1	ADAPTER AS						
	1A	1	<b>127-5400</b>	1	BUSHING						
	2	1	<b>0L-1351</b>	4	BOLT (3/8-16X0.875-IN)						
B	3	1	<b>0S-1595</b>	2	BOLT (1/2-13X1.25-IN)						
B	4	1	<b>5P-8245</b>	2	WASHER-HARD (13.5X25.5X3-MM THK)						
B	5	1	<b>8P-1438</b>	1	COVER						
B	6	1	<b>7J-8114</b>	1	GASKET						
	7	1	<b>259-4598</b>	1	SEAL-O-RING						
	8	1	<b>492-1584</b>	1	GEAR-ACCESSORY DRIVE						
	9	1	<b>235-3546</b>	1	SEAL-O-RING						
	10	1	<b>364-6393</b>	1	COVER AS						
	10A	1	<b>127-5400</b>	1	BUSHING						
	11	1	<b>3B-1915</b>	6	BOLT (3/8-16X1.375-IN)						
	12	1	<b>6V-3348</b>	1	SEAL-O-RING						
	13	1	<b>8T-6757</b>	1	PLUG-PIPE						
	14	1	<b>5P-0840</b>	1	SEAL-O-RING						
	15	1	<b>8T-6759</b>	1	PLUG-PIPE						
B	16	1	<b>8T-6757</b>	1	PLUG-PIPE						
	17	1	<b>2B-2695</b>	4	BOLT (5/16-18X0.875-IN)						
	18	1	<b>7N-7539</b>	2	WASHER-THRUST						
	19	1	<b>9M-1974</b>	4	WASHER-HARD (8.8X16X2-MM THK)						
	20	1	<b>5M-2894</b>	6	WASHER-HARD (10.2X18.5X2.5-MM THK)						

B - USE AS REQUIRED

# BASIC ENGINE

7C-4113 DRIVE GP-ACCESSORY (contd.)

i07141056



GRAPHIC #1

<END>

g06207142

# BASIC ENGINE

## 7E-7647 DRIVE GP-ACCESSORY-LOWER, LH

S/N: 50Y647-1304

STANDARD ROTATION

PART OF 357-0858, 376-4849 ENGINE AR-COMPLETE

SMCS-1207

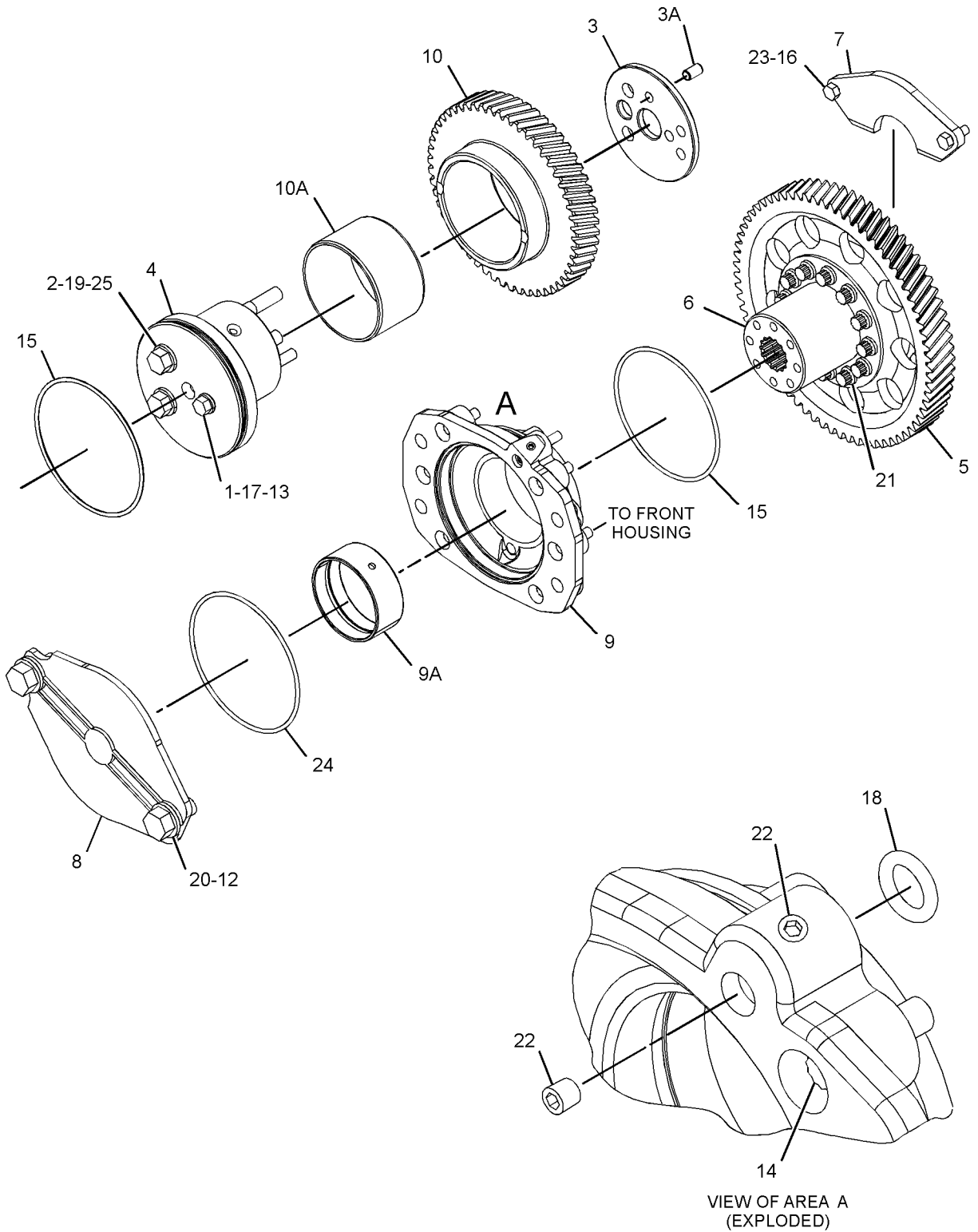
i05441519

NOTE	REF NO	GRAPHIC REF	PART NUMBER	QTY	PART NAME						SEE PAGE
					1	2	3	4	5	6 (PRODUCT LEVEL)	
	1	1	<b>5R-7136</b>	1	WASHER-SEALING						
	2	1	<b>5R-7137</b>	2	WASHER-SEALING						
	3	1	<b>7C-3258</b>	1	WASHER AS-THRUST						
	3A	1	<b>7N-2047</b>	1	DOWEL						
	4	1	<b>7C-3260</b>	1	SHAFT						
	5	1	<b>7E-0275</b>	1	GEAR-WATER PUMP DRIVE (69-TEETH)						
	6	1	<b>7N-5874</b>	1	SHAFT-AUXILIARY DRIVE (14-TEETH)						
	7	1	<b>7N-7539</b>	2	WASHER-THRUST						
	8	1	<b>7N-8374</b>	1	COVER-PUMP						
	9	1	<b>441-3369</b>	1	ADAPTER AS						
	9A	1	<b>127-5400</b>	1	BUSHING						
	10	1	<b>144-8263</b>	1	GEAR AS-IDLER (53-TEETH)						
	10A	1	<b>140-9597</b>	1	BUSHING						
	12	1	<b>0S-1592</b>	2	BOLT (5/8-11X1.25-IN)						
	13	1	<b>0T-0055</b>	1	BOLT (3/8-16X4.25-IN)						
	14	1	<b>1T-0765</b>	6	BOLT (3/8-16X1-IN)						
	15	1	<b>259-4598</b>	2	SEAL-O-RING						
	16	1	<b>2B-2695</b>	4	BOLT (5/16-18X0.875-IN)						
	17	1	<b>5M-2894</b>	1	WASHER-HARD (10.2X18.5X2.5-MM THK)						
	18	1	<b>5P-0840</b>	1	SEAL-O-RING						
	19	1	<b>5P-8245</b>	2	WASHER-HARD (13.5X25.5X3-MM THK)						
	20	1	<b>5P-8247</b>	2	WASHER-HARD (17X32X3.5-MM THK)						
	21	1	<b>6K-3771</b>	12	BOLT-12 POINT HEAD (7/16-14X1.5-IN)						
	22	1	<b>8T-6759</b>	2	PLUG-PIPE						
	23	1	<b>9M-1974</b>	4	WASHER-HARD (8.8X16X2-MM THK)						
	24	1	<b>6V-8260</b>	1	SEAL-O-RING						
	25	1	<b>9X-8879</b>	2	BOLT (1/2-13X5.5-IN)						

# BASIC ENGINE

7E-7647 DRIVE GP-ACCESSORY (contd.)

105441519



GRAPHIC #1

<END>

g03595539

# BASIC ENGINE

## 7N-4871 DRIVE GP-ACCESSORY-UPPER, RH

S/N: 50Y647-755; 66Z190-269

FOR USE WITH 900-1800 RPM

CANNOT BE USED WITH RIGHT HAND GOVERNOR

ALSO AN ATTACHMENT

SMCS-1207

i01406925

NOTE	REF NO	GRAPHIC REF	PART NUMBER	QTY	PART NAME						SEE PAGE
					1	2	3	4	5	6 (PRODUCT LEVEL)	
	1	1	<b>6H-1717</b>	2	BOLT (1/2-13X1.125-IN)						
	2	1	<b>5P-8245</b>	2	WASHER-HARD (13.5X25.5X3-MM THK)						
	3	1	<b>8M-1279</b>	1	COVER-PROTECTION						
	4	1	<b>7J-8114</b>	1	GASKET						
	5	1	<b>7N-5743</b>	1	ADAPTER AS						
	6	1	<b>7N-5244</b>	1	BUSHING						
	7	1	<b>8M-5255</b>	1	SEAL-O-RING						
	8	1	<b>7N-5875</b>	1	GEAR-AUXILIARY DRIVE (63-TEETH)						
	9	1	<b>7N-5874</b>	1	SHAFT-AUXILIARY DRIVE (14-TEETH)						
C	10	1	<b>2B-2695</b>	4	BOLT (5/16-18X0.875-IN)						
C	11	1	<b>9M-1974</b>	4	WASHER-HARD (8.8X16X2-MM THK)						
C	12	1	<b>7N-7539</b>	2	WASHER-THRUST						
	13	1	<b>1T-0132</b>	1	SEAL-O-RING						
	14	1	<b>7N-5279</b>	1	ADAPTER AS						
	15	1	<b>7N-5244</b>	1	BUSHING						
	16	1	<b>0S-1594</b>	6	BOLT (3/8-16X1-IN)						
C	17	1	<b>9F-2247</b>	2	PLUG-PIPE						
	18	1	<b>3B-8453</b>	1	SEAL-O-RING						
	19	1	<b>6K-3772</b>	12	BOLT-12 POINT HEAD (7/16-14X2.25-IN)						
	20	1	<b>7N-5248</b>	1	GEAR-AUXILIARY DRIVE (63-TEETH)						
	21	1	<b>5P-2546</b>	12	BOLT-12 POINT HEAD (7/16-14X1.25-IN)						
	22	1	<b>0L-1351</b>	4	BOLT (3/8-16X0.875-IN)						
	23	1	<b>4D-0514</b>	1	PLUG-PIPE						
		1	<b>2M-4453</b>	1	SEAL-O-RING						

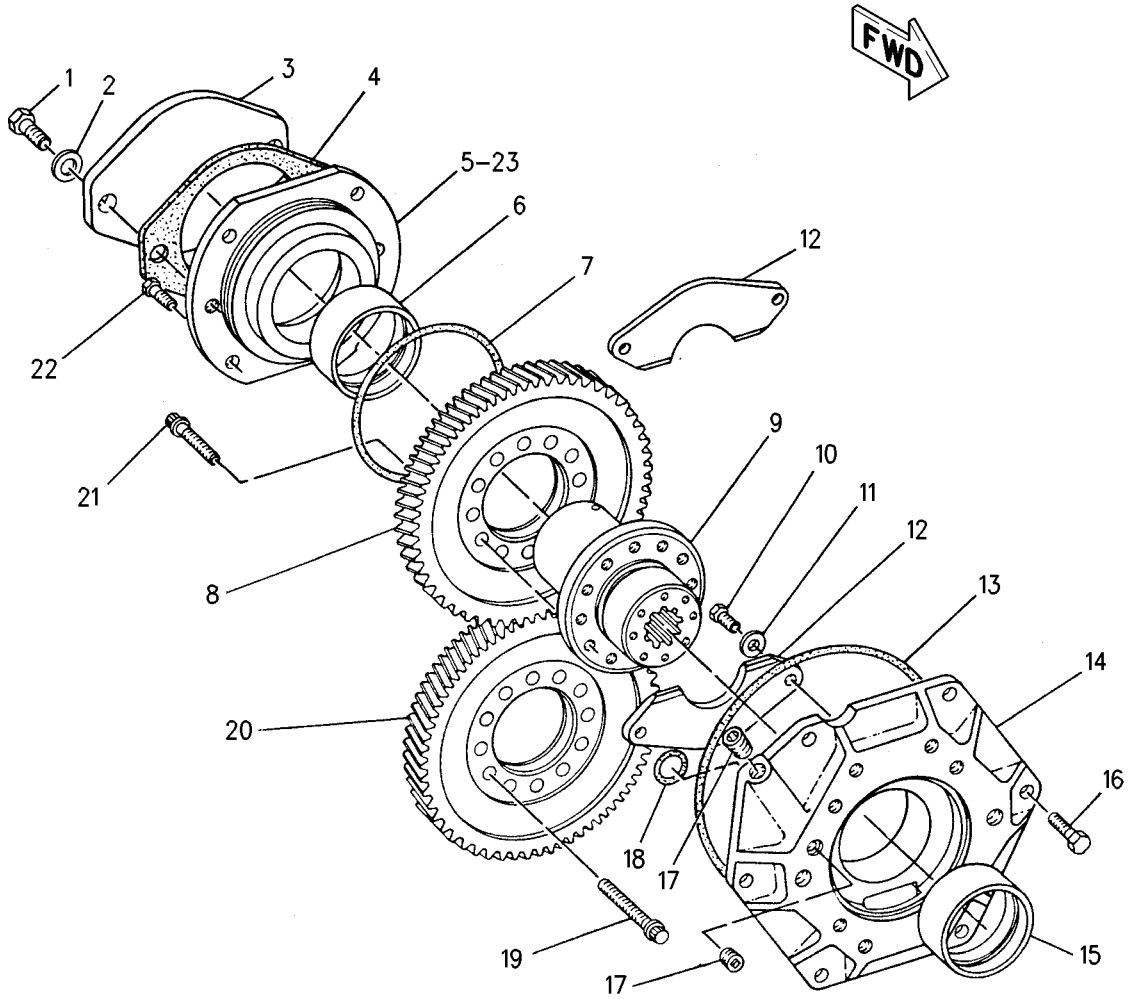
C - CHANGE FROM PREVIOUS TYPE



# BASIC ENGINE

7N-4871 DRIVE GP-ACCESSORY (contd.)

i01406925



GRAPHIC #1

<END>

g00740720

# BASIC ENGINE

## 7N-4871 DRIVE GP-ACCESSORY-UPPER, RH

S/N: 50Y756-1304; 66Z270-578

FOR USE WITH 900-1800 RPM

CANNOT BE USED WITH RIGHT HAND GOVERNOR

ALSO AN ATTACHMENT

SMCS-1207

i06680566

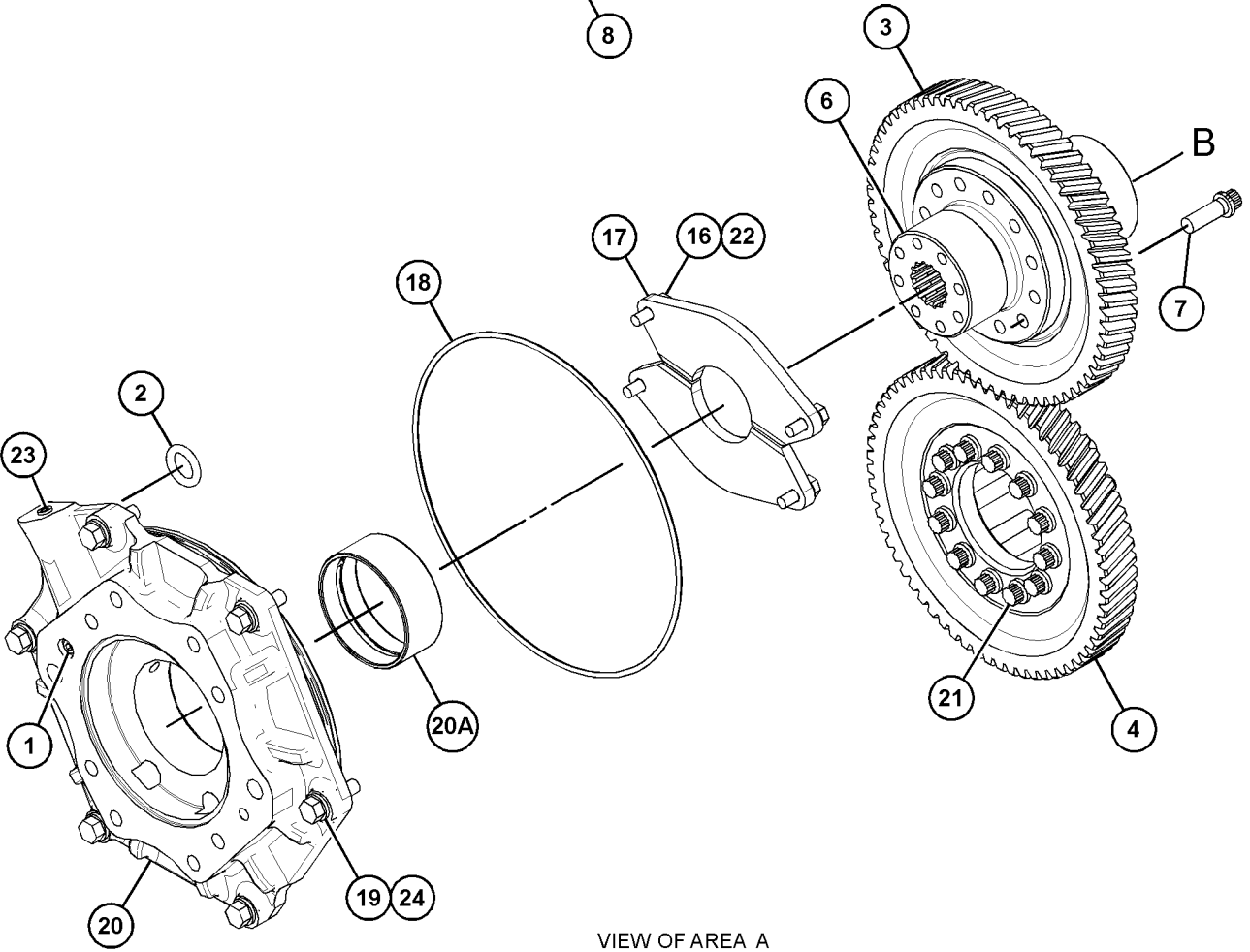
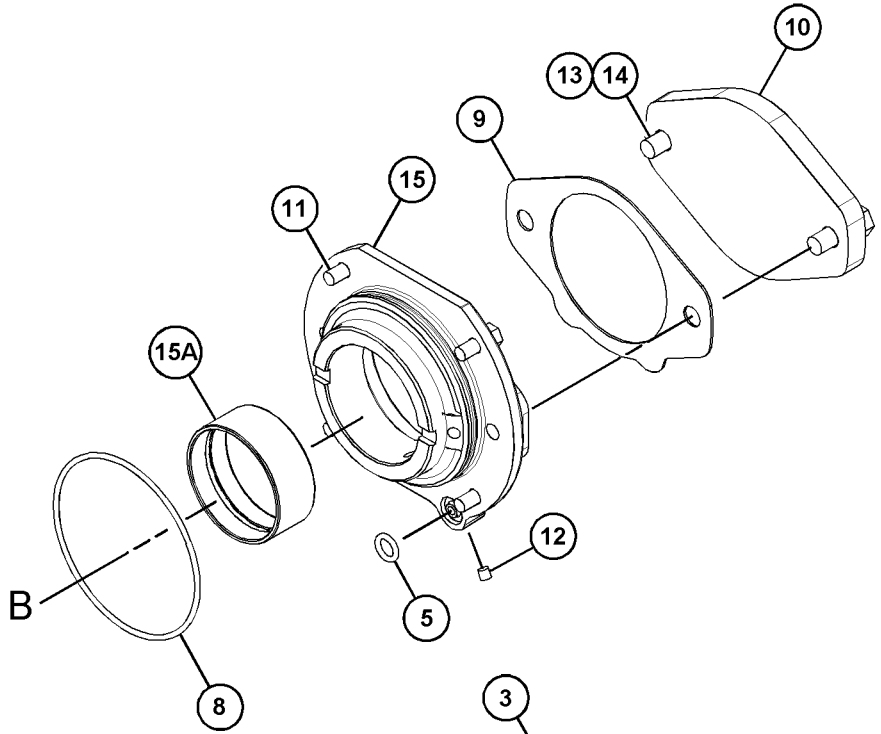
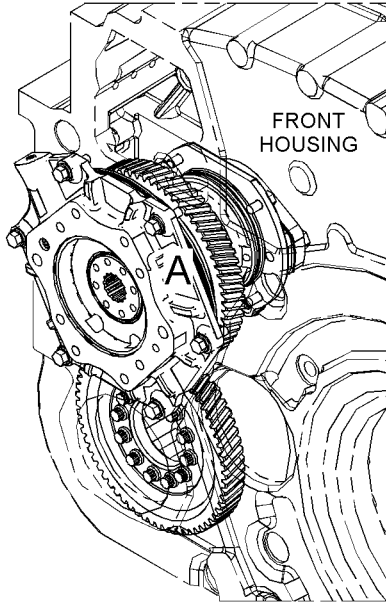
NOTE	REF NO	GRAPHIC REF	PART NUMBER	QTY	PART NAME						SEE PAGE
					1	2	3	4	5	6 (PRODUCT LEVEL)	
B	1	1	<b>8T-6757</b>	1	PLUG-PIPE						
	2	1	<b>6V-3348</b>	1	SEAL-O-RING						
	3	1	<b>7N-5875</b>	1	GEAR-AUXILIARY DRIVE (63-TEETH)						
	4	1	<b>7N-5248</b>	1	GEAR-AUXILIARY DRIVE (63-TEETH)						
	5	1	<b>5P-0840</b>	1	SEAL-O-RING						
	6	1	<b>7N-5874</b>	1	SHAFT-AUXILIARY DRIVE (14-TEETH)						
	7	1	<b>5P-2546</b>	12	BOLT-12 POINT HEAD (7/16-14X1.25-IN)						
	8	1	<b>259-4598</b>	1	SEAL-O-RING						
	9	1	<b>7J-8114</b>	1	GASKET						
C	10	1	<b>8P-1438</b>	1	COVER						
	11	1	<b>0L-1351</b>	4	BOLT (3/8-16X0.875-IN)						
	12	1	<b>8T-6759</b>	1	PLUG-PIPE						
C	13	1	<b>0S-1595</b>	2	BOLT (1/2-13X1.25-IN)						
	14	1	<b>5P-8245</b>	2	WASHER-HARD (13.5X25.5X3-MM THK)						
	15	1	<b>7C-4165</b>	1	ADAPTER AS						
	15A	1	<b>127-5400</b>	1	BUSHING						
	16	1	<b>2B-2695</b>	4	BOLT (5/16-18X0.875-IN)						
	17	1	<b>7N-7539</b>	2	WASHER-THRUST						
	18	1	<b>235-3546</b>	1	SEAL-O-RING						
	19	1	<b>3B-1915</b>	6	BOLT (3/8-16X1.375-IN)						
	20	1	<b>7N-5279</b>	1	ADAPTER AS						
	20A	1	<b>127-5400</b>	1	BUSHING						
	21	1	<b>6K-3772</b>	12	BOLT-12 POINT HEAD (7/16-14X2.25-IN)						
	22	1	<b>9M-1974</b>	4	WASHER-HARD (8.8X16X2-MM THK)						
	23	1	<b>8T-6757</b>	1	PLUG-PIPE						
	24	1	<b>5M-2894</b>	6	WASHER-HARD (10.2X18.5X2.5-MM THK)						

B - USE AS REQUIRED  
 C - CHANGE FROM PREVIOUS TYPE

# BASIC ENGINE

7N-4871 DRIVE GP-ACCESSORY (contd.)

106680566



VIEW OF AREA A

<END>

GRAPHIC #1

g06079644

# BASIC ENGINE

## 8N-5678 DRIVE GP-ACCESSORY-LOWER, LH

S/N: 66Z190-578

LOW SPEED, STANDARD ROTATION

FOR USAGE REFER TO CHART 8N-7500-PAGE: 2103

AN ATTACHMENT

TYPE 1

SMCS-1207

i01328717

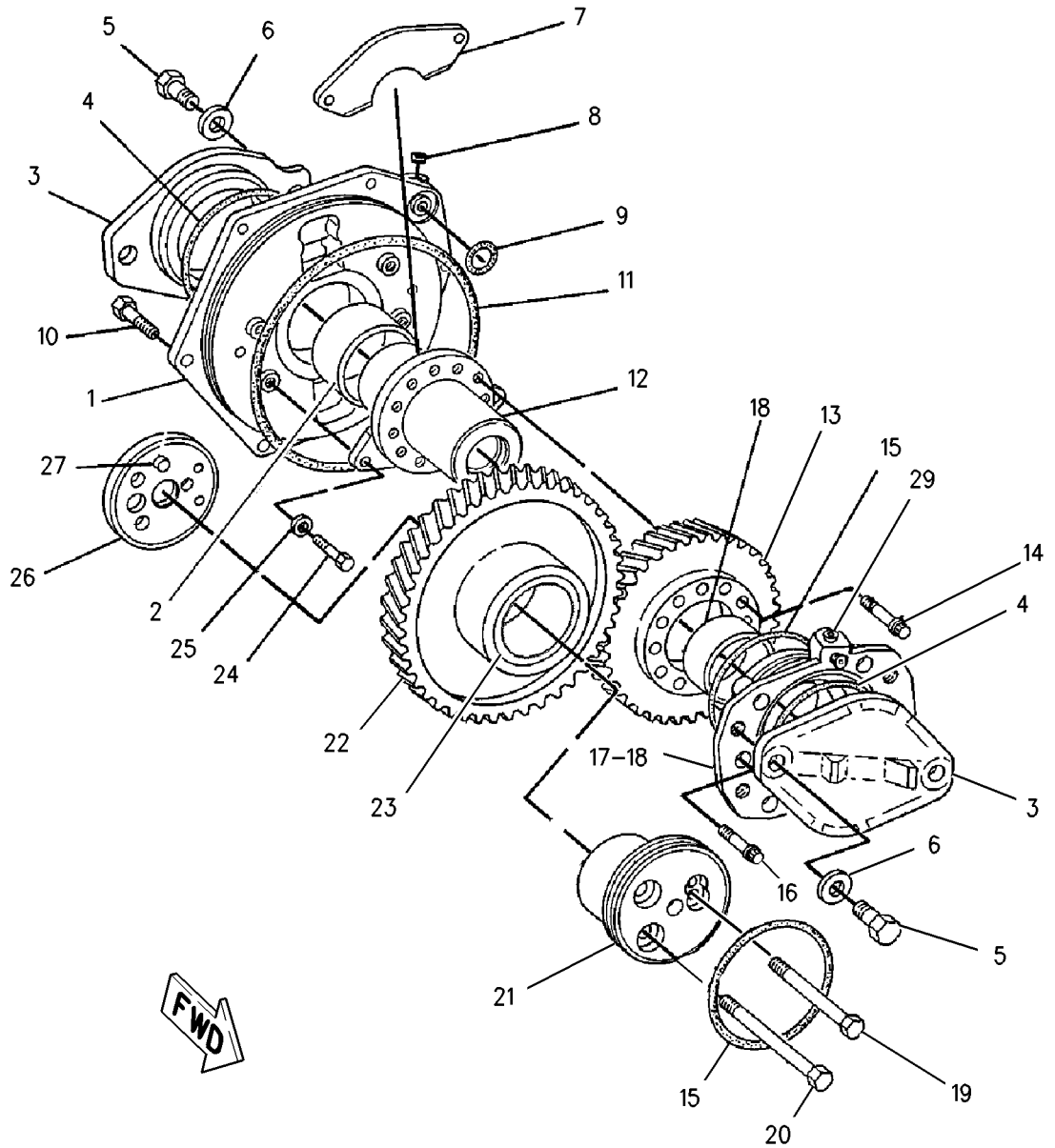
NOTE	REF NO	GRAPHIC REF	PART NUMBER	QTY	PART NAME						SEE PAGE
					1	2	3	4	5	6	
	1	1	7N-5279	1	ADAPTER AS						
	2	1	127-5400	1	BUSHING						
	3	1	7N-8374	2	COVER-PUMP						
	4	1	5F-3106	2	SEAL-O-RING						
	5	1	0S-1592	4	BOLT (5/8-11X1.25-IN)						
	6	1	5P-8247	4	WASHER-HARD (17X32X3.5-MM THK)						
	7	1	7N-7539	2	WASHER-THRUST						
	8	1	9F-2247	2	PLUG-PIPE						
	9	1	3B-8453	1	SEAL-O-RING						
	10	1	0S-1594	6	BOLT (3/8-16X1-IN)						
	11	1	1T-0132	1	SEAL-O-RING						
	12	1	7N-5874	1	SHAFT-AUXILIARY DRIVE (14-TEETH)						
C	13	1	2W-7320	1	GEAR-ACCESSORY DRIVE (46-TEETH) (69 TEETH)						
B	14	1	6K-3771	12	BOLT-12 POINT HEAD (7/16-14X1.5-IN)						
	15	1	8M-5255	2	SEAL-O-RING						
	16	1	1T-0765	6	BOLT (3/8-16X1-IN)						
	17	1	8N-8210	1	ADAPTER AS						
	18	1	127-5400	1	BUSHING						
C	19	1	0T-0065	2	BOLT (3/8-16X3.5-IN)						
	20	1	2B-2006	2	BOLT (1/2-13X4.75-IN)						
C	21	1	2W-7584	1	SHAFT						
C	22	1	2W-7321	1	GEAR AS-IDLER (66-TEETH) (66 TEETH)						
	23	1	8N-5301	1	BEARING						
	24	1	2B-2695	4	BOLT (5/16-18X0.875-IN)						
	25	1	9M-1974	4	WASHER-HARD (8.8X16X2-MM THK)						
C	26	1	2W-7586	1	WASHER AS-THRUST						
	27	1	7N-2047	1	DOWEL						
	28	1	2M-4453	1	SEAL-O-RING						
	29	1	4D-0514	2	PLUG-PIPE						

B - USE AS REQUIRED  
C - CHANGE FROM PREVIOUS TYPE

# BASIC ENGINE

8N-5678 DRIVE GP-ACCESSORY (contd.)

i01328717



GRAPHIC #1

<END>

g00703830

# BASIC ENGINE

## 8N-5678 DRIVE GP-ACCESSORY-LOWER, LH

S/N: 66Z190-578

LOW SPEED, STANDARD ROTATION

FOR USAGE REFER TO CHART 8N-7500-PAGE: 2103

AN ATTACHMENT

TYPE 2

SMCS-1207

i06703067

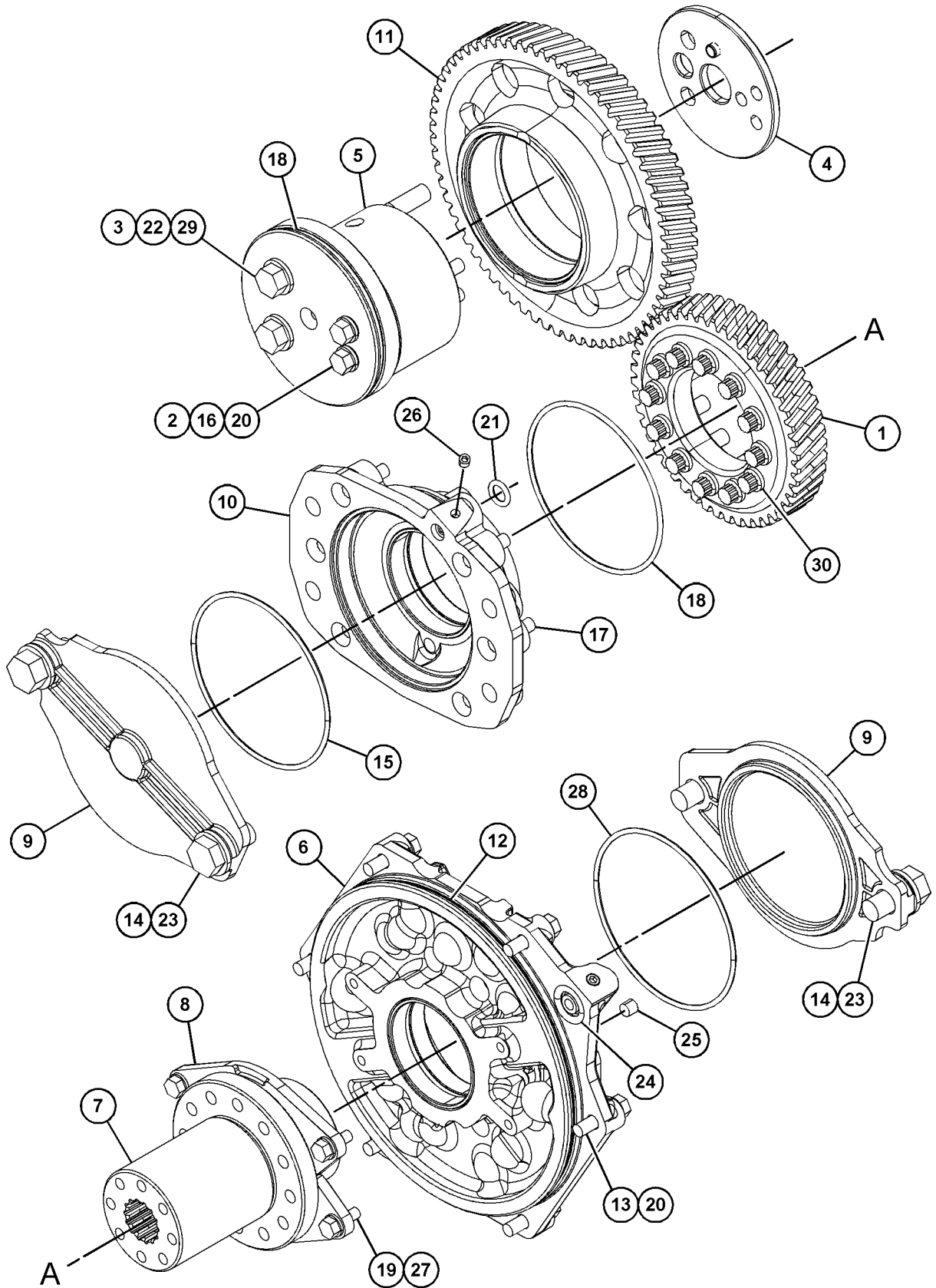
NOTE	REF NO	GRAPHIC REF	PART NUMBER	QTY	PART NAME						SEE PAGE
					1	2	3	4	5	6 (PRODUCT LEVEL)	
	1	1	<b>2W-7320</b>	1	GEAR-ACCESSORY DRIVE (46-TEETH)						
C	2	1	<b>5R-7136</b>	2	WASHER-SEALING						
C	3	1	<b>5R-7137</b>	2	WASHER-SEALING						
C	4	1	<b>7C-3258</b>	1	WASHER AS-THRUST						
			<b>7N-2047</b>	1	DOWEL						
C	5	1	<b>7C-3259</b>	1	SHAFT						
	6	1	<b>7N-5279</b>	1	ADAPTER AS						
		1	<b>127-5400</b>	1	BUSHING						
	7	1	<b>7N-5874</b>	1	SHAFT-AUXILIARY DRIVE (14-TEETH)						
	8	1	<b>7N-7539</b>	2	WASHER-THRUST						
	9	1	<b>7N-8374</b>	2	COVER-PUMP						
	10	1	<b>441-3369</b>	1	ADAPTER AS						
		1	<b>127-5400</b>	1	BUSHING						
	11	1	<b>116-3242</b>	1	GEAR AS-IDLER (66-TEETH)						
		1	<b>116-1365</b>	1	BUSHING						
	12	1	<b>235-3546</b>	1	SEAL-O-RING						
	13	1	<b>3B-1915</b>	6	BOLT (3/8-16X1.375-IN)						
	14	1	<b>0S-1592</b>	4	BOLT (5/8-11X1.25-IN)						
	15	1	<b>6V-8260</b>	1	SEAL-O-RING						
	16	1	<b>0T-0055</b>	2	BOLT (3/8-16X4.25-IN)						
	17	1	<b>1T-0765</b>	6	BOLT (3/8-16X1-IN)						
	18	1	<b>259-4598</b>	2	SEAL-O-RING						
	19	1	<b>2B-2695</b>	4	BOLT (5/16-18X0.875-IN)						
C	20	1	<b>5M-2894</b>	8	WASHER-HARD (10.2X18.5X2.5-MM THK)						
	21	1	<b>5P-0840</b>	1	SEAL-O-RING						
C	22	1	<b>5P-8245</b>	2	WASHER-HARD (13.5X25.5X3-MM THK)						
	23	1	<b>5P-8247</b>	4	WASHER-HARD (17X32X3.5-MM THK)						
	24	1	<b>6V-3348</b>	1	SEAL-O-RING						
	25	1	<b>8T-6757</b>	2	PLUG-PIPE						
	26	1	<b>8T-6759</b>	2	PLUG-PIPE						
	27	1	<b>9M-1974</b>	4	WASHER-HARD (8.8X16X2-MM THK)						
	28	1	<b>9X-7371</b>	1	SEAL-O-RING						
	29	1	<b>1D-4572</b>	2	BOLT (1/2-13X5.5-IN)						
B	30	1	<b>6K-3771</b>	12	BOLT-12 POINT HEAD (7/16-14X1.5-IN)						

B - USE AS REQUIRED  
C - CHANGE FROM PREVIOUS TYPE

# BASIC ENGINE

8N-5678 DRIVE GP-ACCESSORY (contd.)

i06703067



GRAPHIC #1

<END>

g06084590

# BASIC ENGINE

## 8N-5743 DRIVE GP-ACCESSORY-UPPER, LH

S/N: 50Y647-1304

REVERSE ROTATION

CANNOT BE USED WITH 7W-1530-PAGE: 292  
FOR USAGE REFER TO CHART 8N-7500-PAGE: 2103

AN ATTACHMENT

TYPE 1

SMCS-1207

i01974865

NOTE	REF NO	GRAPHIC REF	PART NUMBER	QTY	PART NAME						SEE PAGE
					1	2	3	4	5	6 (PRODUCT LEVEL)	
	1	1	<b>0S-1592</b>	4	BOLT (5/8-11X1.25-IN)						
	2	1	<b>5P-8247</b>	4	WASHER-HARD (17X32X3.5-MM THK)						
	3	1	<b>7N-8374</b>	2	COVER-PUMP						
	4	1	<b>5F-3106</b>	2	SEAL-O-RING						
	5	1	<b>7N-5279</b>	1	ADAPTER AS						
	6	1	<b>127-5400</b>	1	BUSHING						
	7	1	<b>1T-0132</b>	1	SEAL-O-RING						
	8	1	<b>7N-5874</b>	1	SHAFT-AUXILIARY DRIVE (14-TEETH)						
	9	1	<b>8N-5772</b>	1	SPACER-SPECIAL						
	10	1	<b>0S-1594</b>	6	BOLT (3/8-16X1-IN)						
	11	1	<b>7N-7539</b>	2	WASHER-THRUST						
	12	1	<b>3B-8453</b>	1	SEAL-O-RING						
	13	1	<b>9F-2247</b>	1	PLUG-PIPE						
	14	1	<b>9M-1974</b>	4	WASHER-HARD (8.8X16X2-MM THK)						
	15	1	<b>2B-2695</b>	4	BOLT (5/16-18X0.875-IN)						
	16	1	<b>7N-5250</b>	1	GEAR-PUMP DRIVE (69-TEETH)						
	17	1	<b>8M-5255</b>	2	SEAL-O-RING						
	18	1	<b>6K-3772</b>	12	BOLT-12 POINT HEAD (7/16-14X2.25-IN)						
	19	1	<b>8N-8210</b>	1	ADAPTER AS						
	20	1	<b>127-5400</b>	1	BUSHING						
	21	1	<b>1T-0765</b>	6	BOLT (3/8-16X1-IN)						
	22	1	<b>2M-4453</b>	1	SEAL-O-RING						
	23	1	<b>4D-0514</b>	2	PLUG-PIPE						
	24	1	<b>0T-0065</b>	1	BOLT (3/8-16X3.5-IN)						
	25	1	<b>2B-2006</b>	2	BOLT (1/2-13X4.75-IN)						
	26	1	<b>7N-5253</b>	1	SHAFT						
	27	1	<b>7N-5241</b>	1	GEAR AS-IDLER (53-TEETH)						
	28	1	<b>7N-5243</b>	1	BUSHING						
C	29	1	<b>2W-7586</b>	1	WASHER AS-THRUST						
	30	1	<b>7N-2047</b>	1	DOWEL						
B	31	1	<b>9F-2247</b>	1	PLUG-PIPE						

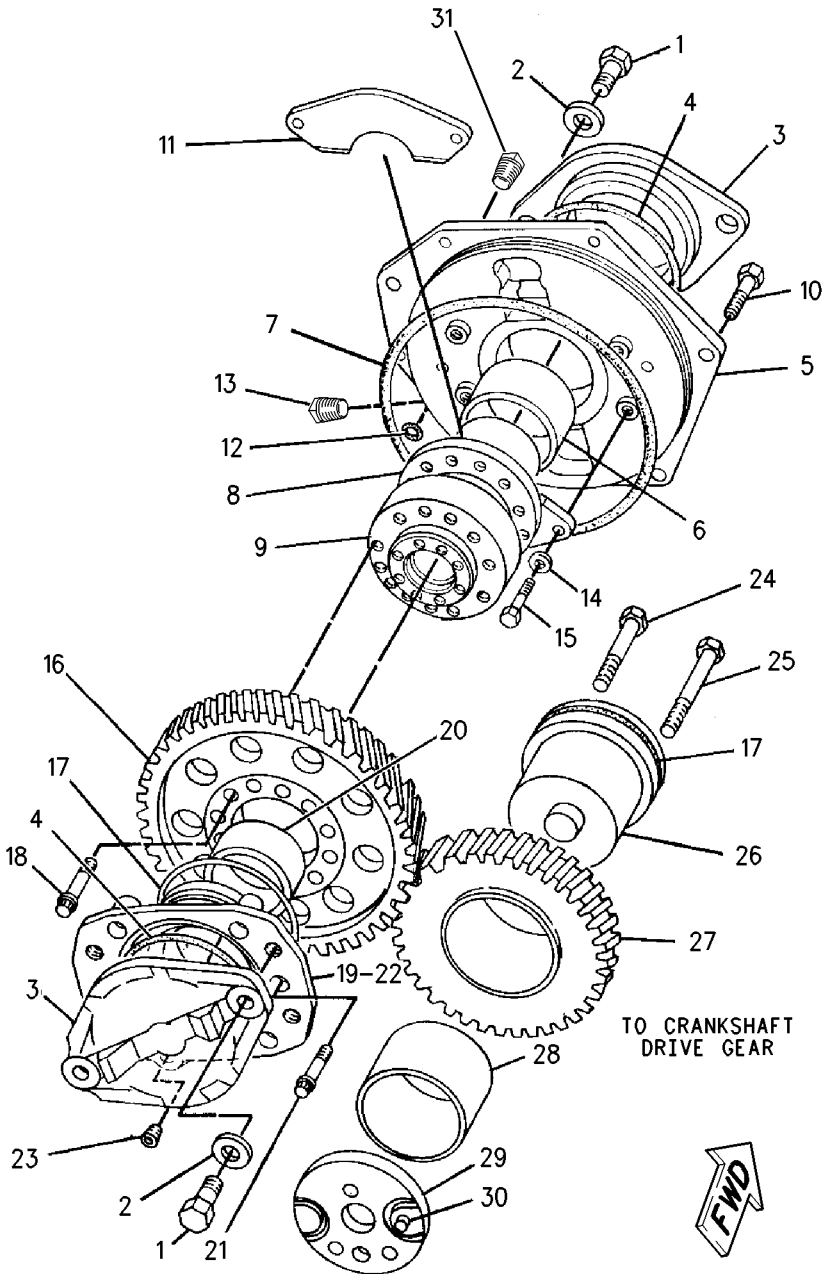
B - USE AS REQUIRED  
C - CHANGE FROM PREVIOUS TYPE



# BASIC ENGINE

8N-5743 DRIVE GP-ACCESSORY (contd.)

i01974865



# BASIC ENGINE

## 8N-5743 DRIVE GP-ACCESSORY-UPPER, LH

S/N: 50Y647-1304

REVERSE ROTATION

CANNOT BE USED WITH 7W-1530-PAGE: 292

FOR USAGE REFER TO CHART 8N-7500-PAGE: 2103

AN ATTACHMENT

TYPE 2

SMCS-1207

i02293582

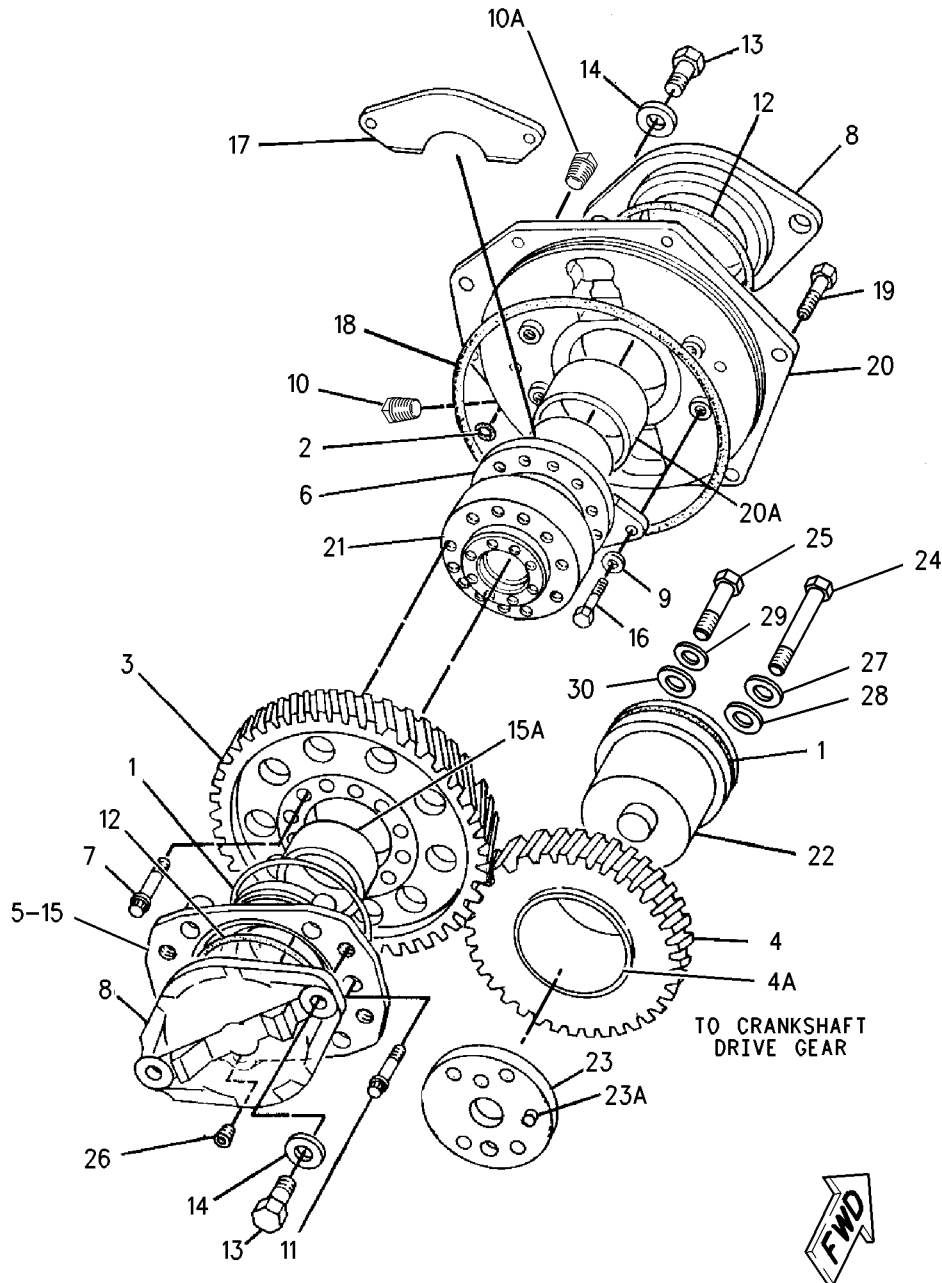
NOTE	REF NO	GRAPHIC REF	PART NUMBER	QTY	PART NAME						SEE PAGE
					1	2	3	4	5	6 (PRODUCT LEVEL)	
	1	1	<b>8M-5255</b>	2	SEAL-O-RING						
	2	1	<b>3B-8453</b>	1	SEAL-O-RING						
	3	1	<b>7E-0275</b>	1	GEAR-WATER PUMP DRIVE (69-TEETH)						
	4	1	<b>7E-0274</b>	1	GEAR AS-IDLER (53-TEETH)						
		1	<b>7N-5243</b>	1	BUSHING						
	5	1	<b>2M-4453</b>	1	SEAL-O-RING						
	6	1	<b>7N-5874</b>	1	SHAFT-AUXILIARY DRIVE (14-TEETH)						
	7	1	<b>6K-3772</b>	12	BOLT-12 POINT HEAD (7/16-14X2.25-IN)						
	8	1	<b>7N-8374</b>	2	COVER-PUMP						
	9	1	<b>9M-1974</b>	4	WASHER-HARD (8.8X16X2-MM THK)						
	10	1	<b>9F-2247</b>	1	PLUG-PIPE						
B	10A	1	<b>9F-2247</b>	1	PLUG-PIPE						
	11	1	<b>1T-0765</b>	6	BOLT (3/8-16X1-IN)						
	12	1	<b>5F-3106</b>	2	SEAL-O-RING						
	13	1	<b>0S-1592</b>	4	BOLT (5/8-11X1.25-IN)						
	14	1	<b>5P-8247</b>	4	WASHER-HARD (17X32X3.5-MM THK)						
	15	1	<b>8N-8210</b>	1	ADAPTER AS						
	15A	1	<b>127-5400</b>	1	BUSHING						
	16	1	<b>2B-2695</b>	4	BOLT (5/16-18X0.875-IN)						
	17	1	<b>7N-7539</b>	2	WASHER-THRUST						
	18	1	<b>1T-0132</b>	1	SEAL-O-RING						
	19	1	<b>0S-1594</b>	6	BOLT (3/8-16X1-IN)						
	20	1	<b>7N-5279</b>	1	ADAPTER AS						
	20A	1	<b>127-5400</b>	1	BUSHING						
	21	1	<b>8N-5772</b>	1	SPACER-SPECIAL						
C	22	1	<b>7C-3260</b>	1	SHAFT						
C	23	1	<b>7C-3258</b>	1	WASHER AS-THRUST						
	23A	1	<b>7N-2047</b>	1	DOWEL						
C	24	1	<b>1D-4572</b>	2	BOLT (1/2-13X5.5-IN)						
C	25	1	<b>0T-0055</b>	1	BOLT (3/8-16X4.25-IN)						
	26	1	<b>4D-0514</b>	2	PLUG-PIPE						
C	27	1	<b>5P-8245</b>	2	WASHER-HARD (13.5X25.5X3-MM THK)						
C	28	1	<b>5R-7137</b>	2	WASHER-SEALING						
C	29	1	<b>5M-2894</b>	1	WASHER-HARD (10.2X18.5X2.5-MM THK)						
	30	1	<b>5R-7136</b>	1	WASHER-SEALING						

B - USE AS REQUIRED  
C - CHANGE FROM PREVIOUS TYPE

# BASIC ENGINE

8N-5743 DRIVE GP-ACCESSORY (contd.)

102293582



GRAPHIC #1

<END>

g00703978

# BASIC ENGINE

## 8N-5743 DRIVE GP-ACCESSORY-UPPER, LH

S/N: 50Y647-1304

REVERSE ROTATION

CANNOT BE USED WITH 7W-1530-PAGE: 292  
FOR USAGE REFER TO CHART 8N-7500-PAGE: 2103

AN ATTACHMENT

TYPE 3

SMCS-1207

i07026434

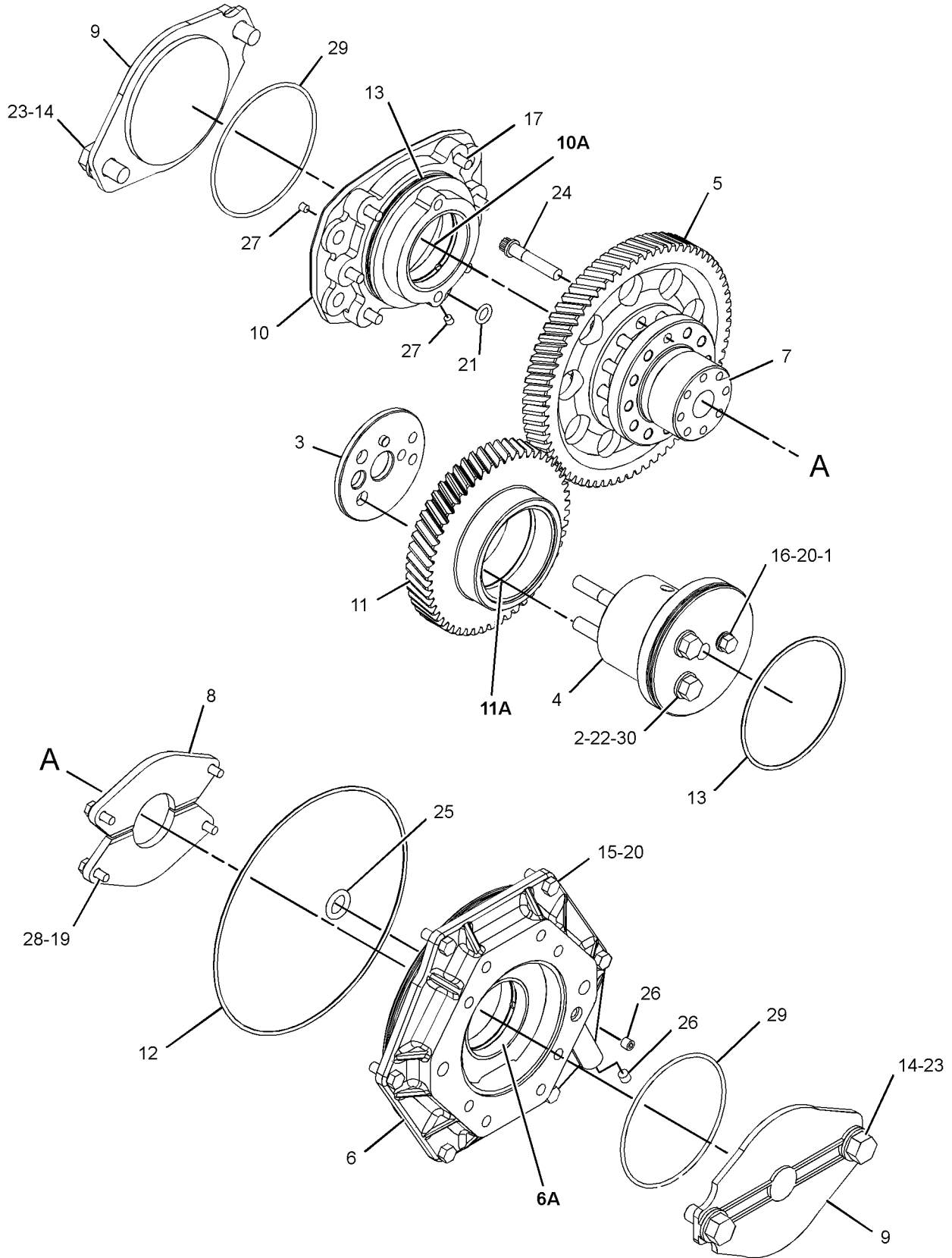
NOTE	REF NO	GRAPHIC REF	PART NUMBER	QTY	PART NAME						SEE PAGE
					1	2	3	4	5	6 (PRODUCT LEVEL)	
	1	1	<b>5R-7136</b>	1	WASHER-SEALING						
	2	1	<b>5R-7137</b>	2	WASHER-SEALING						
	3	1	<b>7C-3258</b>	1	WASHER AS-THRUST						
		1	<b>7N-2047</b>	1	DOWEL						
	4	1	<b>7C-3260</b>	1	SHAFT						
	5	1	<b>7E-0275</b>	1	GEAR-WATER PUMP DRIVE (69-TEETH)						
	6	1	<b>7N-5279</b>	1	ADAPTER AS						
	6A	1	<b>127-5400</b>	1	BUSHING						
	7	1	<b>7N-5874</b>	1	SHAFT-AUXILIARY DRIVE (14-TEETH)						
	8	1	<b>7N-7539</b>	2	WASHER-THRUST						
	9	1	<b>7N-8374</b>	2	COVER-PUMP						
	10	1	<b>441-3369</b>	1	ADAPTER AS						
	10A	1	<b>127-5400</b>	1	BUSHING						
C	11	1	<b>144-8263</b>	1	GEAR AS-IDLER (53-TEETH)						
	11A	1	<b>140-9597</b>	1	BUSHING						
	12	1	<b>235-3546</b>	1	SEAL-O-RING						
	13	1	<b>259-4598</b>	2	SEAL-O-RING						
	14	1	<b>0S-1592</b>	4	BOLT (5/8-11X1.25-IN)						
	15	1	<b>3B-1915</b>	6	BOLT (3/8-16X1.375-IN)						
	16	1	<b>0T-0055</b>	1	BOLT (3/8-16X4.25-IN)						
	17	1	<b>1T-0765</b>	6	BOLT (3/8-16X1-IN)						
	19	1	<b>2B-2695</b>	4	BOLT (5/16-18X0.875-IN)						
	20	1	<b>5M-2894</b>	7	WASHER-HARD (10.2X18.5X2.5-MM THK)						
	21	1	<b>5P-0840</b>	1	SEAL-O-RING						
	22	1	<b>5P-8245</b>	2	WASHER-HARD (13.5X25.5X3-MM THK)						
	23	1	<b>5P-8247</b>	4	WASHER-HARD (17X32X3.5-MM THK)						
	24	1	<b>6K-3772</b>	12	BOLT-12 POINT HEAD (7/16-14X2.25-IN)						
	25	1	<b>6V-3348</b>	1	SEAL-O-RING						
B	26	1	<b>8T-6757</b>	2	PLUG-PIPE						
C	27	1	<b>8T-6759</b>	2	PLUG-PIPE						
	28	1	<b>9M-1974</b>	4	WASHER-HARD (8.8X16X2-MM THK)						
	29	1	<b>6V-8260</b>	2	SEAL-O-RING						
	30	1	<b>1D-4572</b>	2	BOLT (1/2-13X5.5-IN)						

B - USE AS REQUIRED  
C - CHANGE FROM PREVIOUS TYPE

# BASIC ENGINE

8N-5743 DRIVE GP-ACCESSORY (contd.)

i07026434



GRAPHIC #1

<END>

g06207666

# BASIC ENGINE

## 8N-5745 DRIVE GP-ACCESSORY-UPPER LH

S/N: 66Z190-578

REVERSE ROTATION

FOR USAGE REFER TO CHART 8N-7500-PAGE: 2103

AN ATTACHMENT

TYPE 1

SMCS-1207

i01406933

NOTE	REF NO	GRAPHIC REF	PART NUMBER	QTY	PART NAME						SEE PAGE
					1	2	3	4	5	6 (PRODUCT LEVEL)	
	1	1	<b>7N-5279</b>	1	ADAPTER AS						
	2	1	<b>7N-5244</b>	1	BUSHING						
	3	1	<b>7N-8374</b>	2	COVER-PUMP						
	4	1	<b>5F-3106</b>	2	SEAL-O-RING						
	5	1	<b>0S-1592</b>	4	BOLT (5/8-11X1.25-IN)						
	6	1	<b>5P-8247</b>	4	WASHER-HARD (17X32X3.5-MM THK)						
	7	1	<b>7N-7539</b>	2	WASHER-THRUST						
B	8	1	<b>9F-2247</b>	2	PLUG-PIPE						
	9	1	<b>3B-8453</b>	1	SEAL-O-RING						
	10	1	<b>0S-1594</b>	6	BOLT (3/8-16X1-IN)						
	11	1	<b>1T-0132</b>	1	SEAL-O-RING						
	12	1	<b>7N-5874</b>	1	SHAFT-AUXILIARY DRIVE (14-TEETH)						
C	13	1	<b>2W-7320</b>	1	GEAR-ACCESSORY DRIVE (46-TEETH)						
	14	1	<b>6K-3772</b>	12	BOLT-12 POINT HEAD (7/16-14X2.25-IN)						
	15	1	<b>8M-5255</b>	2	SEAL-O-RING						
	16	1	<b>1T-0765</b>	6	BOLT (3/8-16X1-IN)						
	17	1	<b>8N-8210</b>	1	ADAPTER AS						
	18	1	<b>7N-5244</b>	1	BUSHING						
C	19	1	<b>0T-0065</b>	2	BOLT (3/8-16X3.5-IN)						
	20	1	<b>2B-2006</b>	2	BOLT (1/2-13X4.75-IN)						
C	21	1	<b>2W-7584</b>	1	SHAFT						
C	22	1	<b>2W-7321</b>	1	GEAR AS-IDLER (66-TEETH)						
	23	1	<b>8N-5301</b>	1	BEARING						
	24	1	<b>2B-2695</b>	4	BOLT (5/16-18X0.875-IN)						
	25	1	<b>9M-1974</b>	4	WASHER-HARD (8.8X16X2-MM THK)						
C	26	1	<b>2W-7585</b>	1	WASHER-THRUST						
	27	1	<b>7N-2047</b>	1	DOWEL						
	28	1	<b>2M-4453</b>	1	SEAL-O-RING						
	29	1	<b>8N-5772</b>	1	SPACER-SPECIAL						
	30	1	<b>4D-0514</b>	2	PLUG-PIPE						

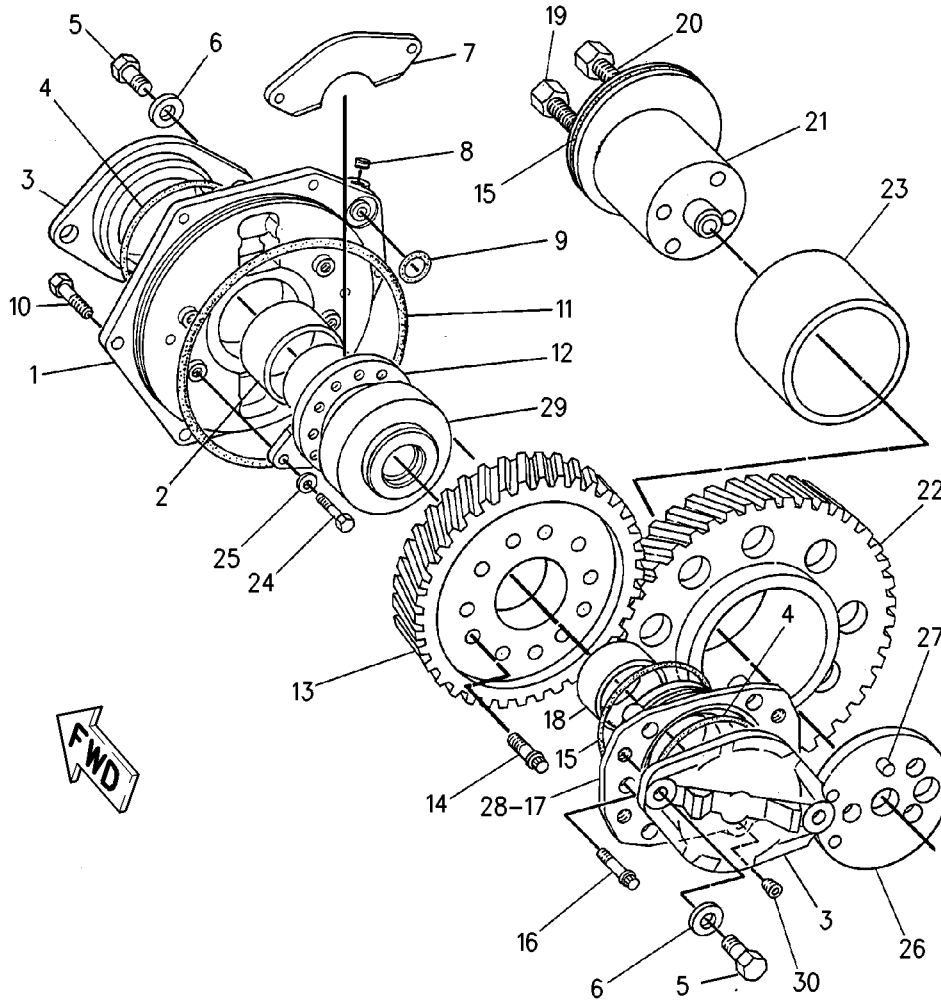
B - USE AS REQUIRED

C - CHANGE FROM PREVIOUS TYPE

# BASIC ENGINE

8N-5745 DRIVE GP-ACCESSORY (contd.)

101406933



GRAPHIC #1

<END>

g00740515

# BASIC ENGINE

## 8N-5745 DRIVE GP-ACCESSORY-UPPER LH

S/N: 66Z190-578

REVERSE ROTATION

FOR USAGE REFER TO CHART 8N-7500-PAGE: 2103

AN ATTACHMENT

TYPE 2

SMCS-1207

i07109019

NOTE	REF NO	GRAPHIC REF	PART NUMBER	QTY	PART NAME						SEE PAGE
					1	2	3	4	5	6 (PRODUCT LEVEL)	
	1	1	<b>2W-7320</b>	1	GEAR-ACCESSORY DRIVE (46-TEETH)						
C	2	1	<b>5R-7136</b>	2	WASHER-SEALING						
C	3	1	<b>5R-7137</b>	2	WASHER-SEALING						
C	4	1	<b>7C-3258</b>	1	WASHER AS-THRUST						
	4A	1	<b>7N-2047</b>	1	DOWEL						
C	5	1	<b>7C-3259</b>	1	SHAFT						
	6	1	<b>7N-5279</b>	1	ADAPTER AS						
	6A	1	<b>127-5400</b>	1	BUSHING						
	7	1	<b>7N-5874</b>	1	SHAFT-AUXILIARY DRIVE (14-TEETH)						
	8	1	<b>7N-7539</b>	2	WASHER-THRUST						
	9	1	<b>7N-8374</b>	2	COVER-PUMP						
	10	1	<b>8N-5772</b>	1	SPACER-SPECIAL						
	11	1	<b>441-3369</b>	1	ADAPTER AS						
	11A	1	<b>127-5400</b>	1	BUSHING						
	12	1	<b>116-3242</b>	1	GEAR AS-IDLER (66-TEETH)						
	12A	1	<b>116-1365</b>	1	BUSHING						
	13	1	<b>235-3546</b>	1	SEAL-O-RING						
	14	1	<b>259-4598</b>	2	SEAL-O-RING						
	15	1	<b>0S-1592</b>	4	BOLT (5/8-11X1.25-IN)						
	16	1	<b>3B-1915</b>	6	BOLT (3/8-16X1.375-IN)						
C	17	1	<b>0T-0055</b>	2	BOLT (3/8-16X4.25-IN)						
	18	1	<b>1T-0765</b>	6	BOLT (3/8-16X1-IN)						
	20	1	<b>2B-2695</b>	4	BOLT (5/16-18X0.875-IN)						
C	21	1	<b>5M-2894</b>	8	WASHER-HARD (10.2X18.5X2.5-MM THK)						
	22	1	<b>5P-0840</b>	1	SEAL-O-RING						
C	23	1	<b>5P-8245</b>	2	WASHER-HARD (13.5X25.5X3-MM THK)						
	24	1	<b>5P-8247</b>	4	WASHER-HARD (17X32X3.5-MM THK)						
	25	1	<b>6K-3772</b>	12	BOLT-12 POINT HEAD (7/16-14X2.25-IN)						
	26	1	<b>6V-3348</b>	1	SEAL-O-RING						
B	27	1	<b>8T-6757</b>	2	PLUG-PIPE						
	28	1	<b>8T-6759</b>	2	PLUG-PIPE						
	29	1	<b>9M-1974</b>	4	WASHER-HARD (8.8X16X2-MM THK)						
	30	1	<b>6V-8260</b>	2	SEAL-O-RING						
C	31	1	<b>1D-4572</b>	2	BOLT (1/2-13X5.5-IN)						

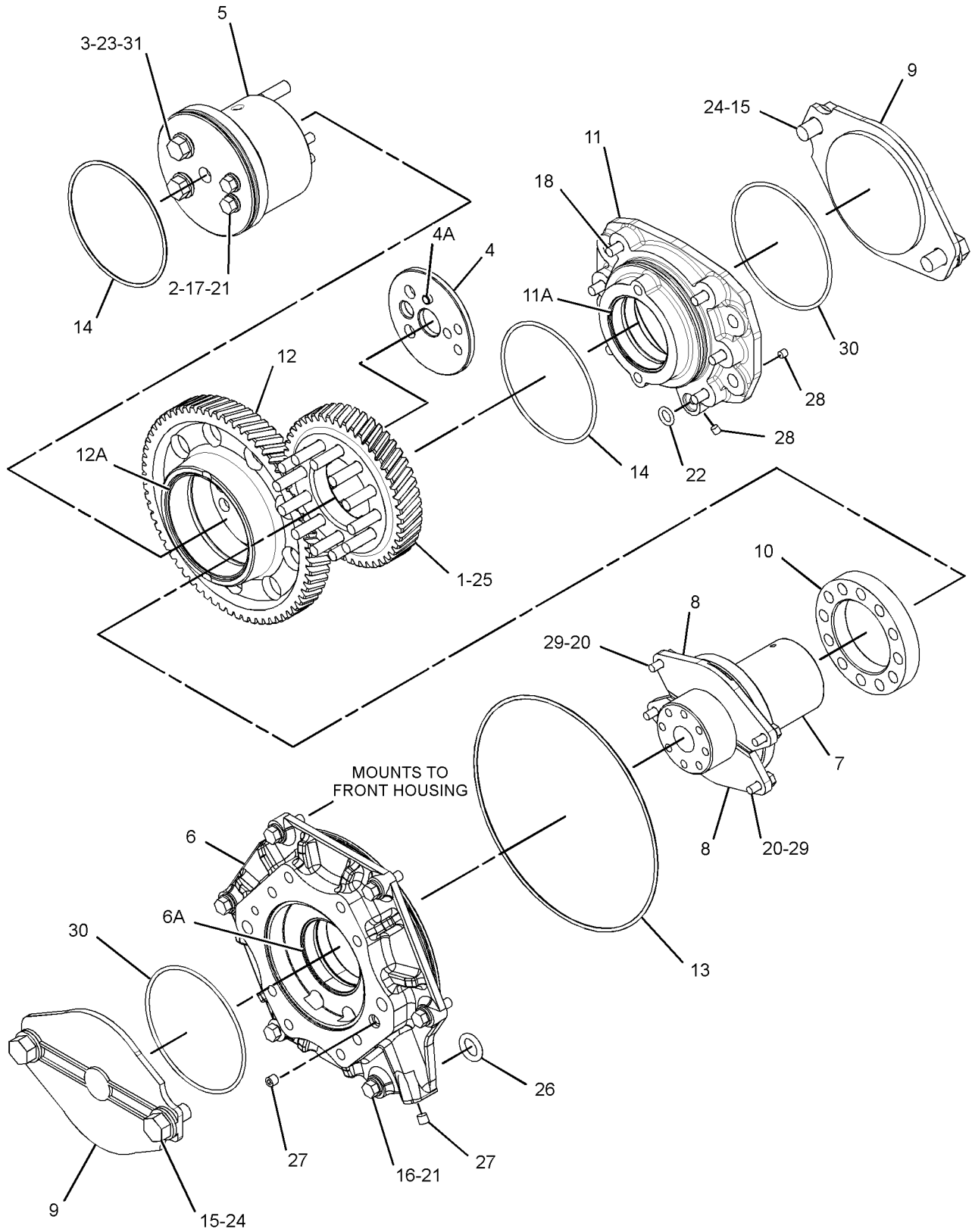
B - USE AS REQUIRED  
C - CHANGE FROM PREVIOUS TYPE



# BASIC ENGINE

8N-5745 DRIVE GP-ACCESSORY (contd.)

i07109019



GRAPHIC #1

<END>

g06083737

# BASIC ENGINE

## 8N-5767 DRIVE GP-ACCESSORY-LOWER, LH

REVERSE ROTATION

FOR USE WITH 8N-5743-PAGE: 206

CANNOT BE USED WITH 7W-1530-PAGE: 292

FOR USAGE REFER TO CHART 8N-7500-PAGE: 2103

AN ATTACHMENT

SMCS-1207

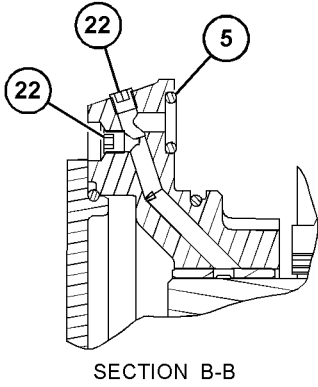
i07026433

NOTE	REF NO	GRAPHIC REF	PART NUMBER	QTY	PART NAME						SEE PAGE
					1	2	3	4	5	6 (PRODUCT LEVEL)	
	1	1	<b>259-4598</b>	1	SEAL-O-RING						
	2	1	<b>6V-3348</b>	1	SEAL-O-RING						
	3	1	<b>7N-5875</b>	1	GEAR-AUXILIARY DRIVE (63-TEETH)						
	4	1	<b>7N-5248</b>	1	GEAR-AUXILIARY DRIVE (63-TEETH)						
	5	1	<b>5P-0840</b>	1	SEAL-O-RING						
	6	1	<b>7N-5874</b>	1	SHAFT-AUXILIARY DRIVE (14-TEETH)						
	7	1	<b>8N-5771</b>	1	SPACER (76X121X22.5-MM THK)						
	8	1	<b>7N-8374</b>	2	COVER-PUMP						
	9	1	<b>9M-1974</b>	4	WASHER-HARD (8.8X16X2-MM THK)						
	10	1	<b>8T-6757</b>	2	PLUG-PIPE						
	11	1	<b>1T-0765</b>	6	BOLT (3/8-16X1-IN)						
	12	1	<b>6V-8260</b>	2	SEAL-O-RING						
	13	1	<b>0S-1592</b>	4	BOLT (5/8-11X1.25-IN)						
	14	1	<b>5P-8247</b>	4	WASHER-HARD (17X32X3.5-MM THK)						
	15	1	<b>441-3369</b>	1	ADAPTER AS						
	15A	1	<b>127-5400</b>	1	BUSHING						
	16	1	<b>2B-2695</b>	4	BOLT (5/16-18X0.875-IN)						
	17	1	<b>7N-7539</b>	2	WASHER-THRUST						
	18	1	<b>235-3546</b>	1	SEAL-O-RING						
	19	1	<b>3B-1915</b>	6	BOLT (3/8-16X1.375-IN)						
	20	1	<b>7N-5279</b>	1	ADAPTER AS						
	20A	1	<b>127-5400</b>	1	BUSHING						
	21	1	<b>6K-3772</b>	12	BOLT-12 POINT HEAD (7/16-14X2.25-IN)						
	22	1	<b>8T-6759</b>	2	PLUG-PIPE						
	23	1	<b>5M-2894</b>	6	WASHER-HARD (10.2X18.5X2.5-MM THK)						

# BASIC ENGINE

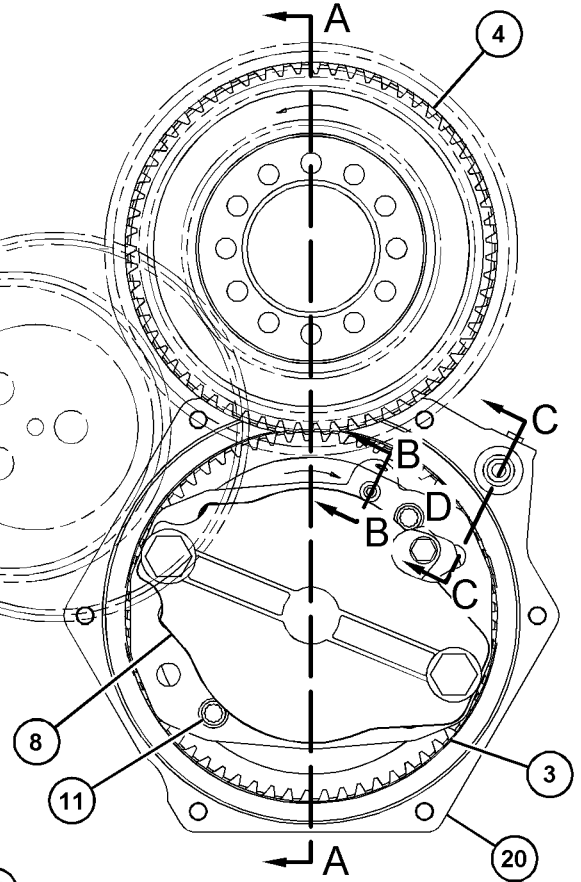
8N-5767 DRIVE GP-ACCESSORY (contd.)

107026433

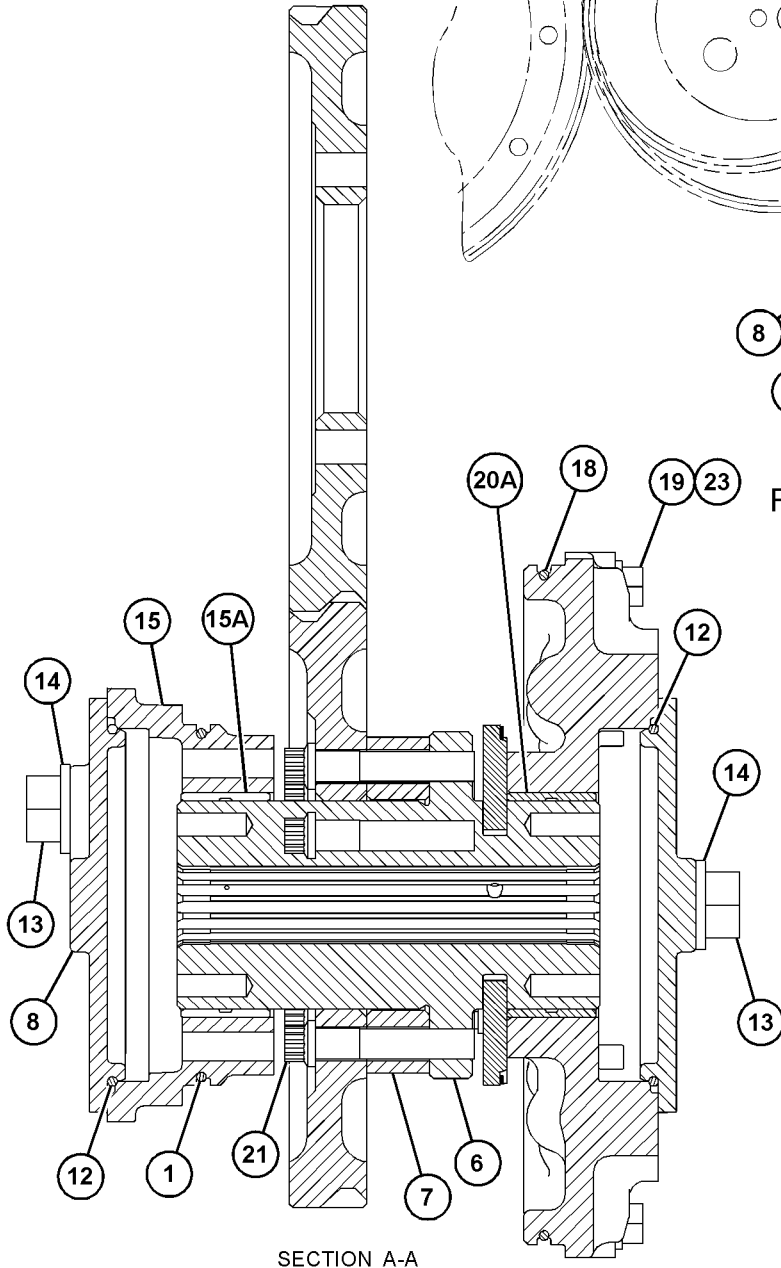


SECTION B-B

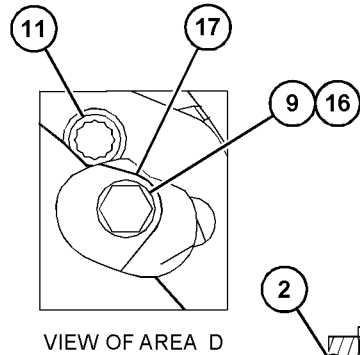
CRANKSHAFT



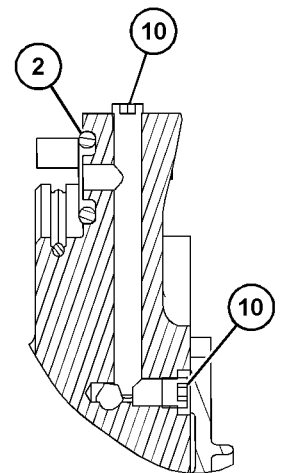
FRONT VIEW OF ENGINE



SECTION A-A



VIEW OF AREA D



SECTION C-C

GRAPHIC #1

<END>

g06208727

# BASIC ENGINE

## 8N-9166 DRIVE GP-ACCESSORY-UPPER, LH

STANDARD ROTATION

FOR USAGE REFER TO CHART 8N-7500-PAGE: 2103

AN ATTACHMENT

SMCS-1207

i07232142

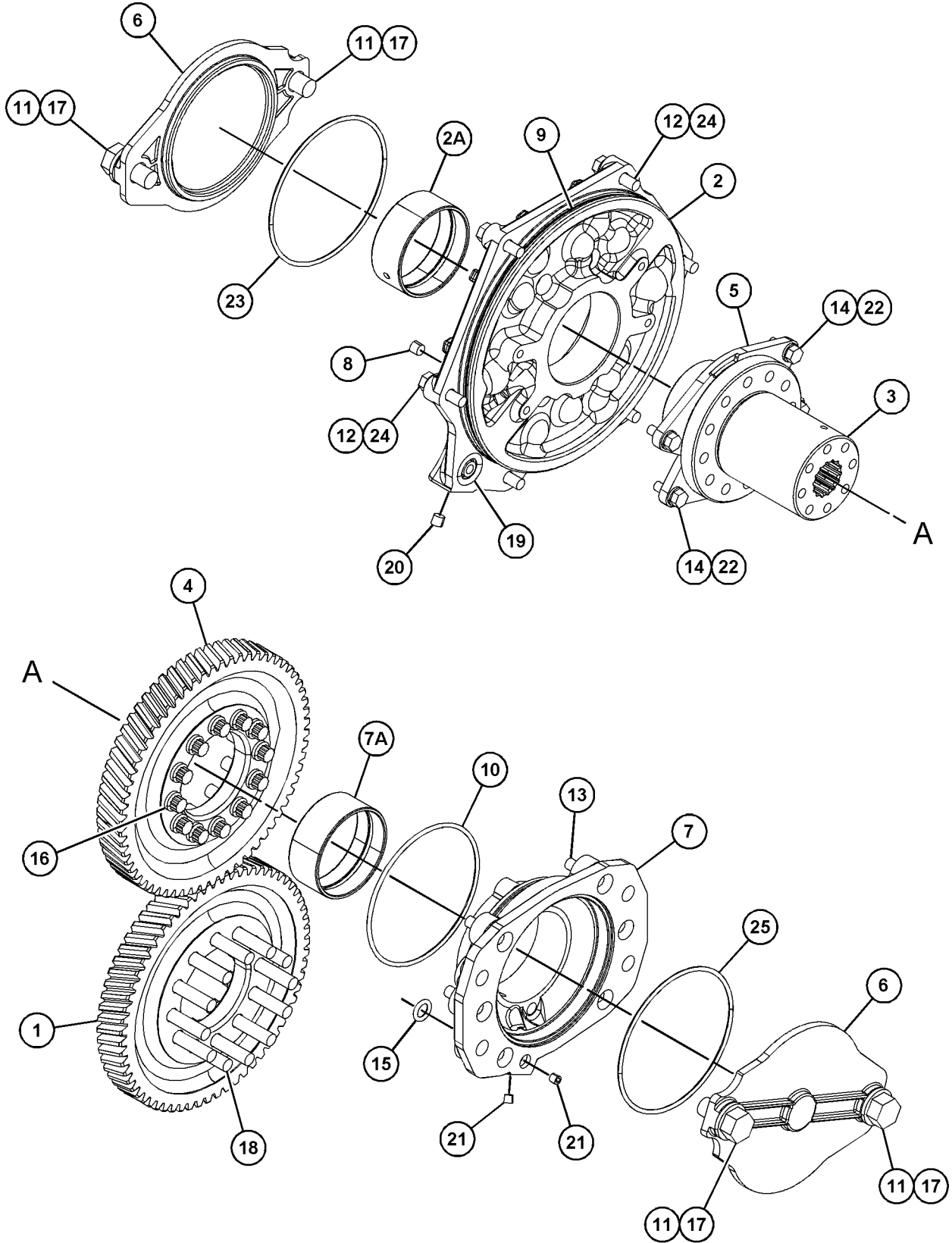
NOTE	REF NO	GRAPHIC REF	PART NUMBER	QTY	PART NAME						SEE PAGE
					1	2	3	4	5	6 (PRODUCT LEVEL)	
	1	1	<b>7N-5248</b>	1	GEAR-AUXILIARY DRIVE (63-TEETH)						
	2	1	<b>7N-5279</b>	1	ADAPTER AS						
	2A	1	<b>127-5400</b>	1	BUSHING						
	3	1	<b>7N-5874</b>	1	SHAFT-AUXILIARY DRIVE (14-TEETH)						
	4	1	<b>7N-5875</b>	1	GEAR-AUXILIARY DRIVE (63-TEETH)						
	5	1	<b>7N-7539</b>	2	WASHER-THRUST						
	6	1	<b>7N-8374</b>	2	COVER-PUMP						
	7	1	<b>441-3369</b>	1	ADAPTER AS						
	7A	1	<b>127-5400</b>	1	BUSHING						
B	8	1	<b>8T-6757</b>	1	PLUG-PIPE						
	9	1	<b>235-3546</b>	1	SEAL-O-RING						
	10	1	<b>259-4598</b>	1	SEAL-O-RING						
	11	1	<b>0S-1592</b>	4	BOLT (5/8-11X1.25-IN)						
	12	1	<b>3B-1915</b>	6	BOLT (3/8-16X1.375-IN)						
	13	1	<b>1T-0765</b>	6	BOLT (3/8-16X1-IN)						
	14	1	<b>2B-2695</b>	4	BOLT (5/16-18X0.875-IN)						
	15	1	<b>5P-0840</b>	1	SEAL-O-RING						
	16	1	<b>5P-2546</b>	12	BOLT-12 POINT HEAD (7/16-14X1.25-IN)						
	17	1	<b>5P-8247</b>	4	WASHER-HARD (17X32X3.5-MM THK)						
	18	1	<b>6K-3772</b>	12	BOLT-12 POINT HEAD (7/16-14X2.25-IN)						
	19	1	<b>6V-3348</b>	1	SEAL-O-RING						
	20	1	<b>8T-6757</b>	1	PLUG-PIPE						
	21	1	<b>8T-6759</b>	2	PLUG-PIPE						
	22	1	<b>9M-1974</b>	4	WASHER-HARD (8.8X16X2-MM THK)						
	23	1	<b>9X-7371</b>	1	SEAL-O-RING						
	24	1	<b>5M-2894</b>	6	WASHER-HARD (10.2X18.5X2.5-MM THK)						
	25	1	<b>6V-8260</b>	1	SEAL-O-RING						

B - USE AS REQUIRED

# BASIC ENGINE

8N-9166 DRIVE GP-ACCESSORY (contd.)

i07232142



GRAPHIC #1

<END>

g06083682

# BASIC ENGINE

## 8N-9167 DRIVE GP-ACCESSORY-LOWER, LH

S/N: 50Y647-1304

STANDARD ROTATION

FOR USAGE REFER TO CHART 8N-7500-PAGE: 2103

AN ATTACHMENT

TYPE 1

SMCS-1207

i01328820

NOTE	REF NO	GRAPHIC REF	PART NUMBER	QTY	PART NAME						SEE PAGE
					1	2	3	4	5	6 (PRODUCT LEVEL)	
	1	1	7N-5279	1	ADAPTER AS						
	2	1	127-5400	1	BUSHING						
	3	1	7N-8374	2	COVER-PUMP						
	4	1	5F-3106	2	SEAL-O-RING						
	5	1	0S-1592	4	BOLT (5/8-11X1.25-IN)						
	6	1	5P-8247	4	WASHER-HARD (17X32X3.5-MM THK)						
	7	1	7N-7539	2	WASHER-THRUST						
	8	1	9F-2247	2	PLUG-PIPE						
	9	1	3B-8453	1	SEAL-O-RING						
	10	1	0S-1594	6	BOLT (3/8-16X1-IN)						
	11	1	1T-0132	1	SEAL-O-RING						
	12	1	7N-5874	1	SHAFT-AUXILIARY DRIVE (14-TEETH)						
	13	1	7N-5250	1	GEAR-PUMP DRIVE (69-TEETH)						
B	14	1	6K-3771	12	BOLT-12 POINT HEAD (7/16-14X1.5-IN)						
	15	1	8M-5255	2	SEAL-O-RING						
	16	1	1T-0765	6	BOLT (3/8-16X1-IN)						
	17	1	8N-8210	1	ADAPTER AS						
	18	1	127-5400	1	BUSHING						
	19	1	0T-0065	1	BOLT (3/8-16X3.5-IN)						
	20	1	2B-2006	2	BOLT (1/2-13X4.75-IN)						
	21	1	7N-5253	1	SHAFT						
	22	1	7N-5241	1	GEAR AS-IDLER (53-TEETH)						
	23	1	7N-5243	1	BUSHING						
	24	1	2B-2695	4	BOLT (5/16-18X0.875-IN)						
	25	1	9M-1974	4	WASHER-HARD (8.8X16X2-MM THK)						
C	26	1	2W-7586	1	WASHER AS-THRUST						
	27	1	7N-2047	1	DOWEL						
	28	1	2M-4453	1	SEAL-O-RING						
	29	1	4D-0514	2	PLUG-PIPE						

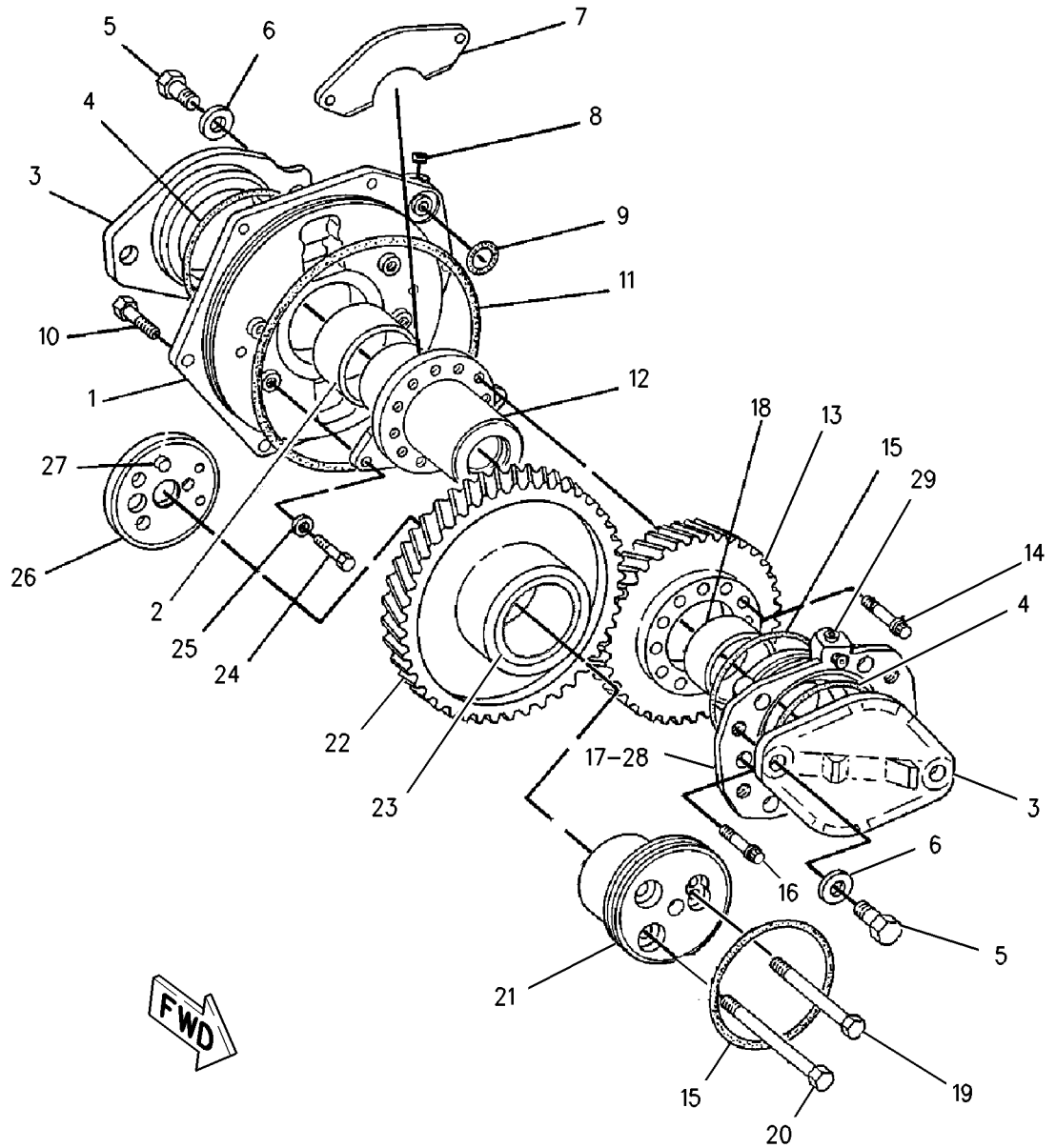
B - USE AS REQUIRED

C - CHANGE FROM PREVIOUS TYPE

# BASIC ENGINE

8N-9167 DRIVE GP-ACCESSORY (contd.)

101328820



GRAPHIC #1

<END>

g00704295

# BASIC ENGINE

## 8N-9167 DRIVE GP-ACCESSORY-LOWER, LH

S/N: 50Y647-1304

STANDARD ROTATION

FOR USAGE REFER TO CHART 8N-7500-PAGE: 2103

AN ATTACHMENT

TYPE 2

SMCS-1207

i02293586

NOTE	REF NO	GRAPHIC REF	PART NUMBER	QTY	PART NAME						SEE PAGE
					1	2	3	4	5	6 (PRODUCT LEVEL)	
C	1	1	<b>5R-7136</b>	1	WASHER-SEALING						
C	2	1	<b>5R-7137</b>	2	WASHER-SEALING						
C	3	1	<b>7C-3258</b>	1	WASHER AS-THRUST						
	3A	1	<b>7N-2047</b>	1	DOWEL						
C	4	1	<b>7C-3260</b>	1	SHAFT						
	5	1	<b>7E-0275</b>	1	GEAR-WATER PUMP DRIVE (69-TEETH)						
	6	1	<b>7N-5279</b>	1	ADAPTER AS						
		1	<b>7N-5278</b>	1	ADAPTER						
	6A	1	<b>127-5400</b>	1	BUSHING						
	7	1	<b>7N-5874</b>	1	SHAFT-AUXILIARY DRIVE (14-TEETH)						
	8	1	<b>7N-7539</b>	2	WASHER-THRUST						
	9	1	<b>7N-8374</b>	2	COVER-PUMP						
	10	1	<b>8N-8210</b>	1	ADAPTER AS						
	10A	1	<b>127-5400</b>	1	BUSHING						
	11	1	<b>7E-0274</b>	1	GEAR AS-IDLER (53-TEETH)						
	11A	1	<b>7N-5243</b>	1	BUSHING						
	12	1	<b>0S-1592</b>	4	BOLT (5/8-11X1.25-IN)						
	13	1	<b>0S-1594</b>	6	BOLT (3/8-16X1-IN)						
C	14	1	<b>0T-0055</b>	1	BOLT (3/8-16X4.25-IN)						
	15	1	<b>1T-0132</b>	1	SEAL-O-RING						
	16	1	<b>1T-0765</b>	6	BOLT (3/8-16X1-IN)						
	17	1	<b>2B-2695</b>	4	BOLT (5/16-18X0.875-IN)						
	18	1	<b>2M-4453</b>	1	SEAL-O-RING						
	19	1	<b>3B-8453</b>	1	SEAL-O-RING						
	20	1	<b>5F-3106</b>	2	SEAL-O-RING						
C	21	1	<b>5M-2894</b>	1	WASHER-HARD (10.2X18.5X2.5-MM THK)						
C	22	1	<b>5P-8245</b>	2	WASHER-HARD (13.5X25.5X3-MM THK)						
	23	1	<b>5P-8247</b>	4	WASHER-HARD (17X32X3.5-MM THK)						
	24	1	<b>8M-5255</b>	2	SEAL-O-RING						
	25	1	<b>9F-2247</b>	2	PLUG-PIPE						
	26	1	<b>4D-0514</b>	2	PLUG-PIPE						
	27	1	<b>9M-1974</b>	4	WASHER-HARD (8.8X16X2-MM THK)						
C	28	1	<b>9X-8879</b>	2	BOLT (1/2-13X5.5-IN)						
B	29	1	<b>6K-3771</b>	12	BOLT-12 POINT HEAD (7/16-14X1.5-IN)						

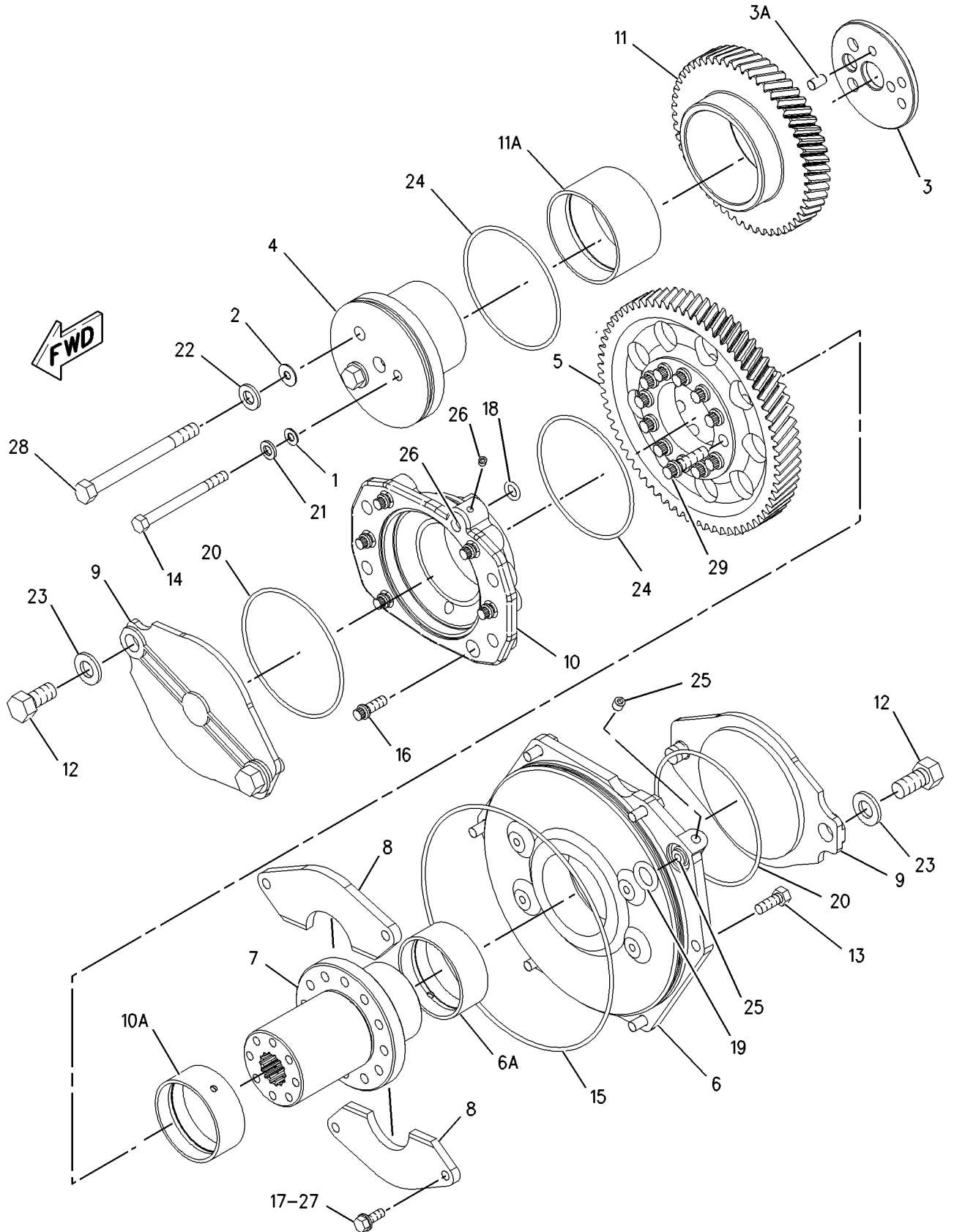
B - USE AS REQUIRED  
C - CHANGE FROM PREVIOUS TYPE



# BASIC ENGINE

8N-9167 DRIVE GP-ACCESSORY (contd.)

102293586



GRAPHIC #1

<END>

g00950842

# BASIC ENGINE

## 8N-9167 DRIVE GP-ACCESSORY-LOWER, LH

S/N: 50Y647-1304

STANDARD ROTATION

FOR USAGE REFER TO CHART 8N-7500-PAGE: 2103

AN ATTACHMENT

TYPE 3

SMCS-1207

i07053136

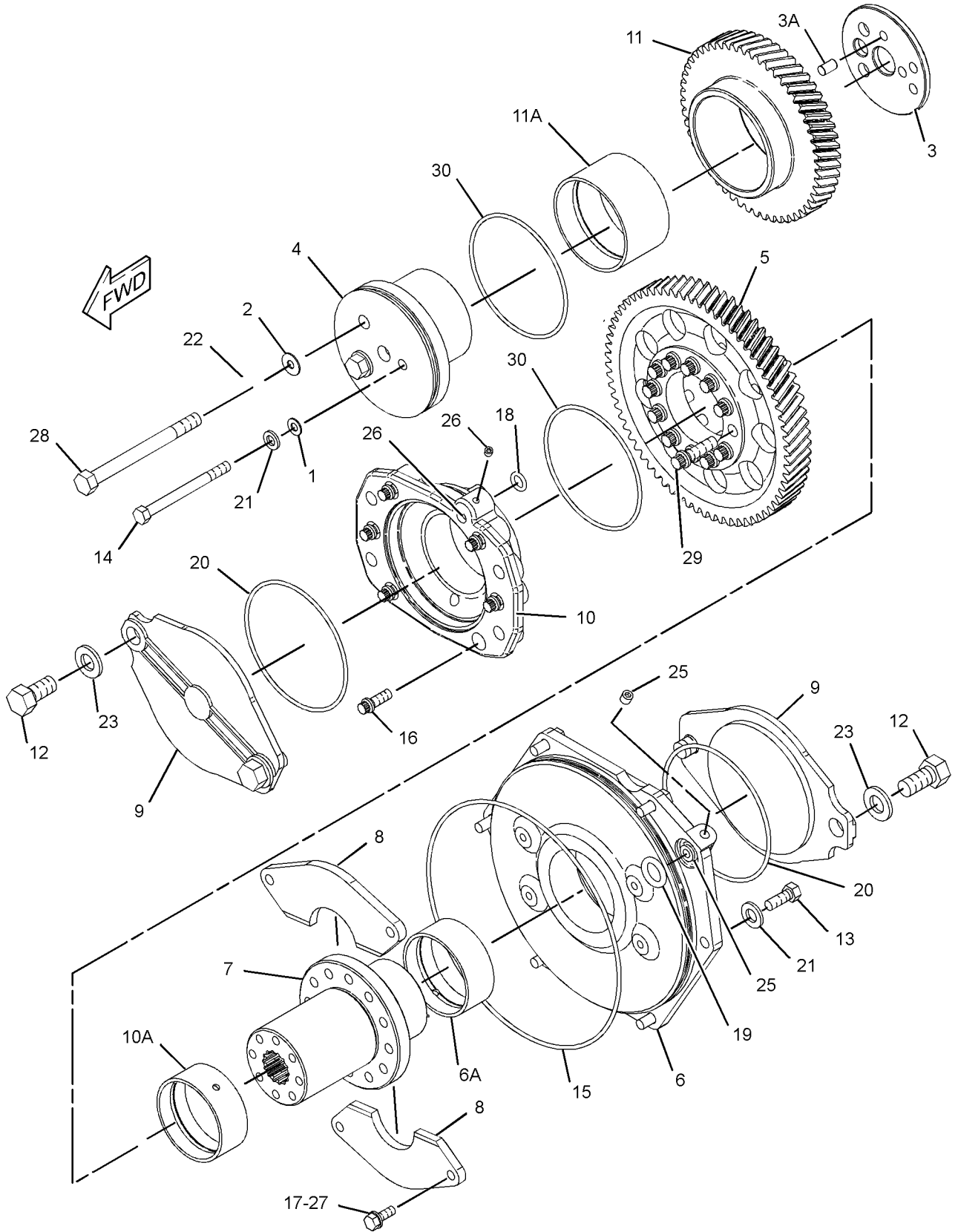
NOTE	REF NO	GRAPHIC REF	PART NUMBER	QTY	PART NAME						SEE PAGE
					1	2	3	4	5	6 (PRODUCT LEVEL)	
	1	1	<b>5R-7136</b>	1	WASHER-SEALING						
	2	1	<b>5R-7137</b>	2	WASHER-SEALING						
	3	1	<b>7C-3258</b>	1	WASHER AS-THRUST						
	3A	1	<b>7N-2047</b>	1	DOWEL						
	4	1	<b>7C-3260</b>	1	SHAFT						
	5	1	<b>7E-0275</b>	1	GEAR-WATER PUMP DRIVE (69-TEETH)						
	6	1	<b>7N-5279</b>	1	ADAPTER AS						
	6A	1	<b>127-5400</b>	1	BUSHING						
	7	1	<b>7N-5874</b>	1	SHAFT-AUXILIARY DRIVE (14-TEETH)						
	8	1	<b>7N-7539</b>	2	WASHER-THRUST						
	9	1	<b>7N-8374</b>	2	COVER-PUMP						
	10	1	<b>441-3369</b>	1	ADAPTER AS						
	10A	1	<b>127-5400</b>	1	BUSHING						
C	11	1	<b>144-8263</b>	1	GEAR AS-IDLER (53-TEETH)						
	11A	1	<b>140-9597</b>	1	BUSHING						
	12	1	<b>0S-1592</b>	4	BOLT (5/8-11X1.25-IN)						
	13	1	<b>3B-1915</b>	6	BOLT (3/8-16X1.375-IN)						
	14	1	<b>0T-0055</b>	1	BOLT (3/8-16X4.25-IN)						
	15	1	<b>235-3546</b>	1	SEAL-O-RING						
	16	1	<b>1T-0765</b>	6	BOLT (3/8-16X1-IN)						
	17	1	<b>2B-2695</b>	4	BOLT (5/16-18X0.875-IN)						
	18	1	<b>5P-0840</b>	1	SEAL-O-RING						
	19	1	<b>6V-3348</b>	1	SEAL-O-RING						
	20	1	<b>6V-8260</b>	2	SEAL-O-RING						
	21	1	<b>5M-2894</b>	7	WASHER-HARD (10.2X18.5X2.5-MM THK)						
	22	1	<b>5P-8245</b>	2	WASHER-HARD (13.5X25.5X3-MM THK)						
	23	1	<b>5P-8247</b>	4	WASHER-HARD (17X32X3.5-MM THK)						
	25	1	<b>8T-6757</b>	2	PLUG-PIPE						
C	26	1	<b>8T-6759</b>	2	PLUG-PIPE						
	27	1	<b>9M-1974</b>	4	WASHER-HARD (8.8X16X2-MM THK)						
	28	1	<b>9X-8879</b>	2	BOLT (1/2-13X5.5-IN)						
B	29	1	<b>6K-3771</b>	12	BOLT-12 POINT HEAD (7/16-14X1.5-IN)						
	30	1	<b>259-4598</b>	2	SEAL-O-RING						

B - USE AS REQUIRED  
C - CHANGE FROM PREVIOUS TYPE

# BASIC ENGINE

8N-9167 DRIVE GP-ACCESSORY (contd.)

107053136



GRAPHIC #1

<END>

g06214315

# BASIC ENGINE

## 9Y-6869 DRIVE GP-ACCESSORY UPPER LH - STANDARD ROTATION - HIGH OR LOW SPEED AN ATTACHMENT

SMCS-1207

i01406947

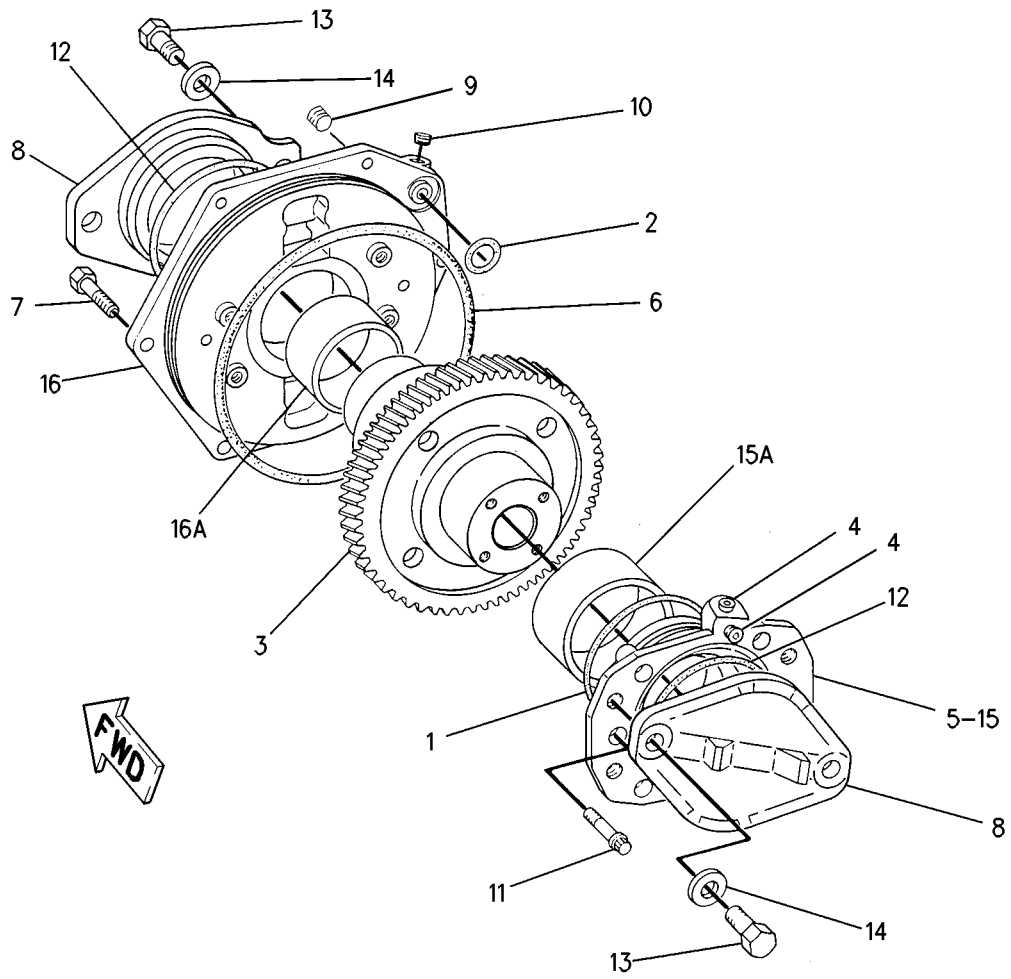
NOTE	REF NO	GRAPHIC REF	PART NUMBER	QTY	PART NAME						SEE PAGE
					1	2	3	4	5	6 (PRODUCT LEVEL)	
	1	1	<b>8M-5255</b>	1	SEAL-O-RING						
	2	1	<b>3B-8453</b>	1	SEAL-O-RING						
	3	1	<b>7W-1102</b>	1	GEAR-ACCESSORY DRIVE (55-TEETH)						
	4	1	<b>4D-0514</b>	2	PLUG-PIPE						
	5	1	<b>2M-4453</b>	1	SEAL-O-RING						
	6	1	<b>1T-0132</b>	1	SEAL-O-RING						
	7	1	<b>0S-1594</b>	6	BOLT (3/8-16X1-IN)						
	8	1	<b>7N-8374</b>	2	COVER-PUMP						
B	9	1	<b>9F-2247</b>	1	PLUG-PIPE						
	10	1	<b>9F-2247</b>	1	PLUG-PIPE						
	11	1	<b>1T-0765</b>	6	BOLT (3/8-16X1-IN)						
	12	1	<b>5F-3106</b>	2	SEAL-O-RING						
	13	1	<b>0S-1592</b>	4	BOLT (5/8-11X1.25-IN)						
	14	1	<b>5P-8247</b>	4	WASHER-HARD (17X32X3.5-MM THK)						
	15	1	<b>8N-8210</b>	1	ADAPTER AS						
	15A	1	<b>7N-5244</b>	1	BUSHING						
	16	1	<b>7C-4164</b>	1	COVER AS						
	16A	1	<b>7N-5244</b>	1	BUSHING						

B - USE AS REQUIRED

# BASIC ENGINE

9Y-6869 DRIVE GP-ACCESSORY (contd.)

101406947



GRAPHIC #1

<END>

g00740646

# BASIC ENGINE

## 9Y-6870 DRIVE GP-ACCESSORY

S/N: 66Z190-578

LOWER LH - STANDARD ROTATION - LOW SPEED  
AN ATTACHMENT

SMCS-1207

i01406950

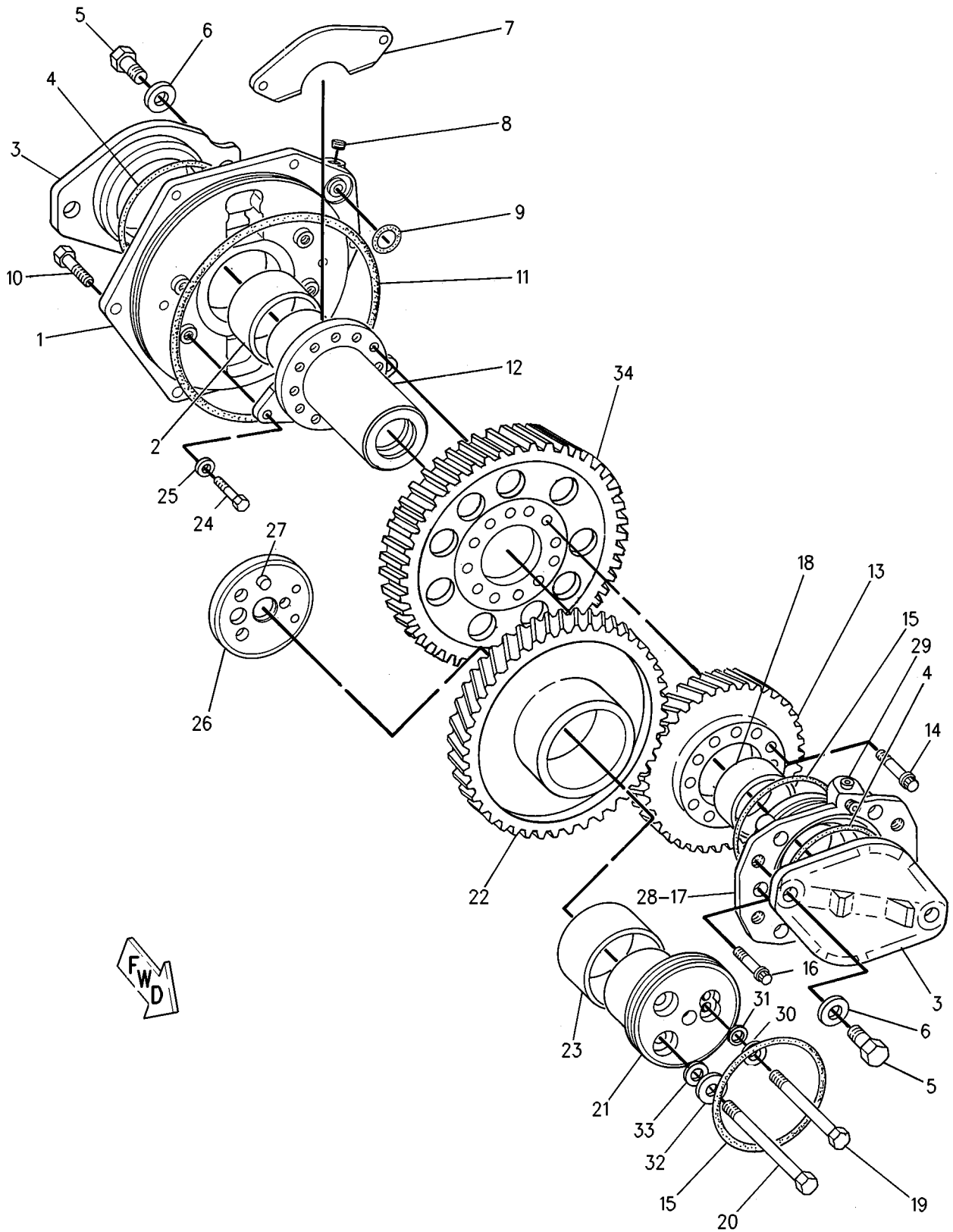
NOTE	REF NO	GRAPHIC REF	PART NUMBER	QTY	PART NAME						SEE PAGE
					1	2	3	4	5	6 (PRODUCT LEVEL)	
	1	1	7N-5279	1	ADAPTER AS						
	2	1	7N-5244	1	BUSHING						
	3	1	7N-8374	2	COVER-PUMP						
	4	1	5F-3106	2	SEAL-O-RING						
	5	1	0S-1592	4	BOLT (5/8-11X1.25-IN)						
	6	1	5P-8247	4	WASHER-HARD (17X32X3.5-MM THK)						
	7	1	7N-7539	2	WASHER-THRUST						
	8	1	9F-2247	2	PLUG-PIPE						
	9	1	3B-8453	1	SEAL-O-RING						
	10	1	0S-1594	6	BOLT (3/8-16X1-IN)						
	11	1	1T-0132	1	SEAL-O-RING						
	12	1	7N-5874	1	SHAFT-AUXILIARY DRIVE (14-TEETH)						
	13	1	2W-7320	1	GEAR-ACCESSORY DRIVE (46-TEETH)						
	14	1	6K-3772	12	BOLT-12 POINT HEAD (7/16-14X2.25-IN)						
	15	1	8M-5255	2	SEAL-O-RING						
	16	1	1T-0765	6	BOLT (3/8-16X1-IN)						
	17	1	8N-8210	1	ADAPTER AS						
	18	1	7N-5244	1	BUSHING						
	19	1	0T-0055	2	BOLT (3/8-16X4.25-IN)						
	20	1	1D-4572	2	BOLT (1/2-13X5.5-IN)						
	21	1	7C-3259	1	SHAFT						
	22	1	2W-7321	1	GEAR AS-IDLER (66-TEETH) (66 TEETH)						
	23	1	8N-5301	1	BEARING						
	24	1	2B-2695	4	BOLT (5/16-18X0.875-IN)						
	25	1	9M-1974	4	WASHER-HARD (8.8X16X2-MM THK)						
	26	1	7C-3258	1	WASHER AS-THRUST						
	27	1	7N-2047	1	DOWEL						
	28	1	2M-4453	1	SEAL-O-RING						
	29	1	4D-0514	2	PLUG-PIPE						
	30	1	5M-2894	2	WASHER-HARD (10.2X18.5X2.5-MM THK)						
C	31	1	5R-7136	2	WASHER-SEALING						
C	32	1	5P-8245	2	WASHER-HARD (13.5X25.5X3-MM THK)						
C	33	1	5R-7137	2	WASHER-SEALING						
	34	1	7C-4032	1	GEAR-WATER PUMP DRIVE (69 TEETH)						

C - CHANGE FROM PREVIOUS TYPE

# BASIC ENGINE

9Y-6870 DRIVE GP-ACCESSORY (contd.)

101406950



GRAPHIC #1

<END>

g00740614

# BASIC ENGINE

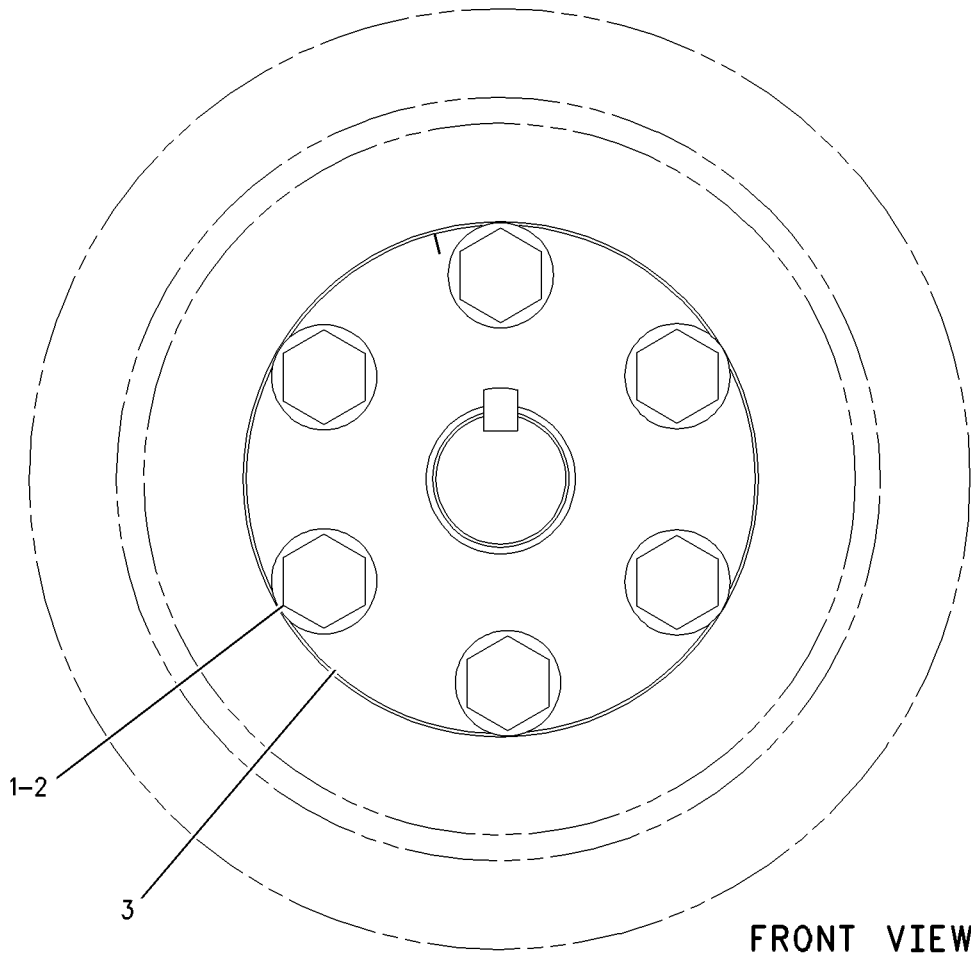
## 7N-7660 DRIVE GP-FAN

LOW KILOWATT  
AN ATTACHMENT

SMCS-1359

i07114068

NOTE	REF NO	GRAPHIC REF	PART NUMBER	QTY	PART NAME						SEE PAGE
					1	2	3	4	5	6 (PRODUCT LEVEL)	
	1	1	<b>5P-8250</b>	6	WASHER (28X49X5-MM THK)						
	2	1	<b>9F-8122</b>	6	BOLT (1-14X9-IN)						
	3	1	<b>7N-7057</b>	1	SHAFT-STUB						



FRONT VIEW

GRAPHIC #1

<END>

g00994930



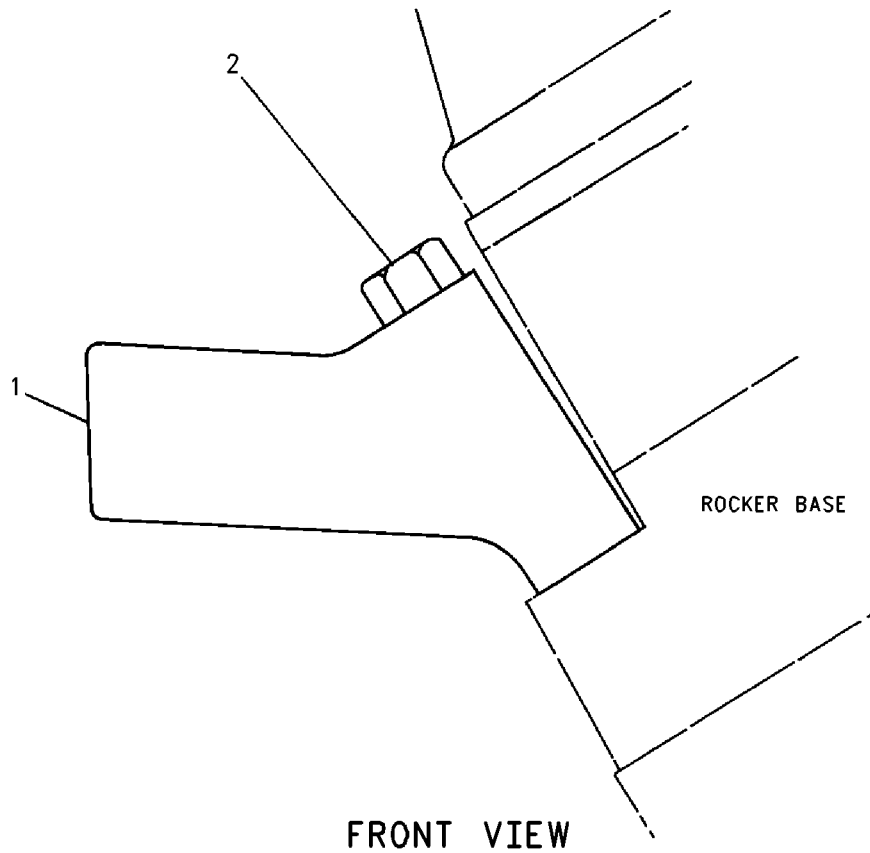
# BASIC ENGINE

## 1W-8109 FASTENER GP-VALVE MECHANISM-RH OIL & FUEL FILTER DIFFERENTIAL LINES FOR USAGE REFER TO CHART 4W-6500-PAGE: 2115 AN ATTACHMENT

SMCS-1102

i01757963

NOTE	REF NO	GRAPHIC REF	PART NUMBER	QTY	PART NAME						SEE PAGE
					1	2	3	4	5	6 (PRODUCT LEVEL)	
	1	1	<b>1W-8129</b>	1	SUPPORT						
	2	1	<b>OT-0055</b>	2	BOLT (3/8-16X4.25-IN)						



GRAPHIC #1

<END>

g00899195

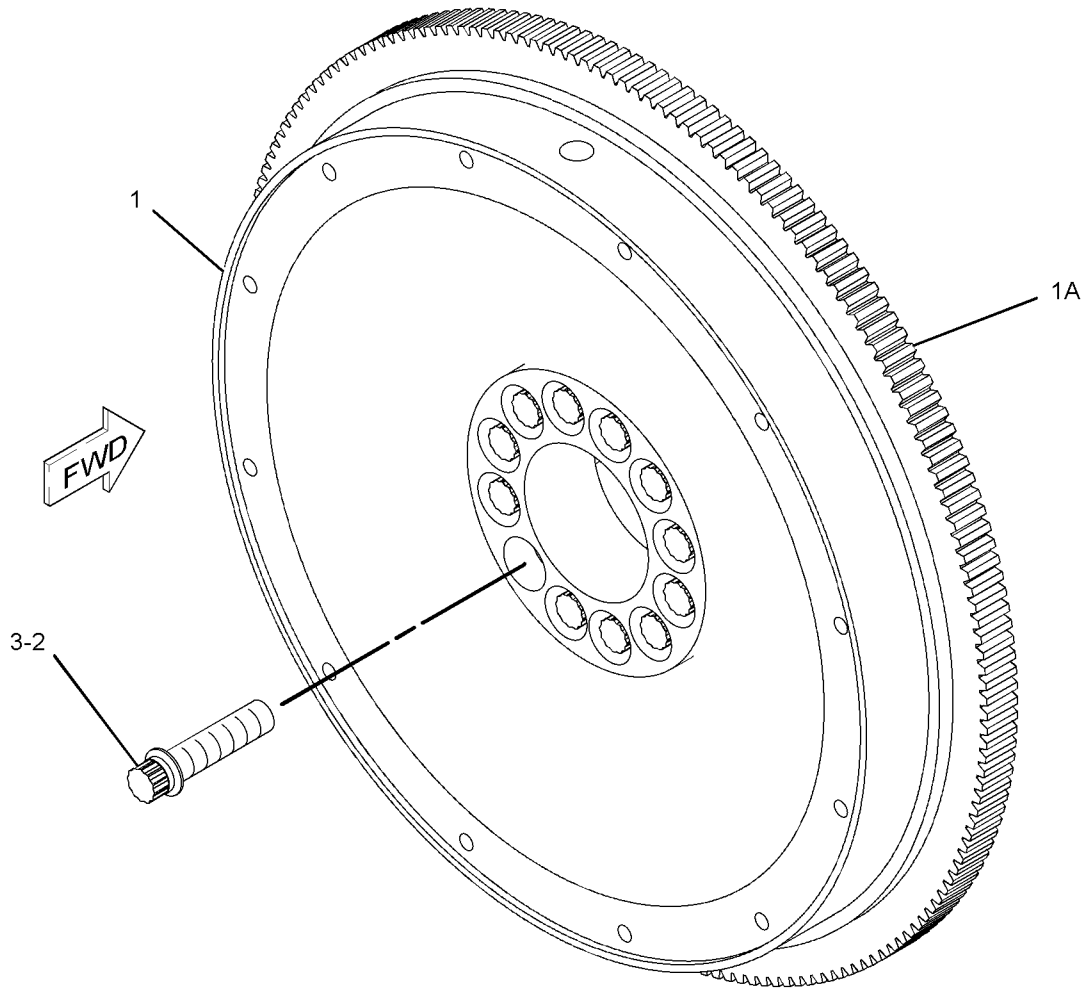
# BASIC ENGINE

## 7N-4851 FLYWHEEL GP

SMCS - 1156

i02205213

NOTE	REF NO	GRAPHIC REF	PART NUMBER	QTY	PART NAME						SEE PAGE
					1	2	3	4	5	6 (PRODUCT LEVEL)	
	1	1	<b>7N-5014</b>	1	FLYWHEEL AS						
	1A	1	<b>1N-5742</b>	1	GEAR-STARTING MOTOR (183-TEETH)						
	2	1	<b>9S-8893</b>	12	BOLT-12 POINT HEAD (1-14X4-IN)						
	3	1	<b>5P-8839</b>	12	WASHER-HARD (28X42X4-MM THK)						



GRAPHIC #1

<END>

g01113668

# BASIC ENGINE

## 7N-4851 FLYWHEEL GP

S/N: 50Y647-1304

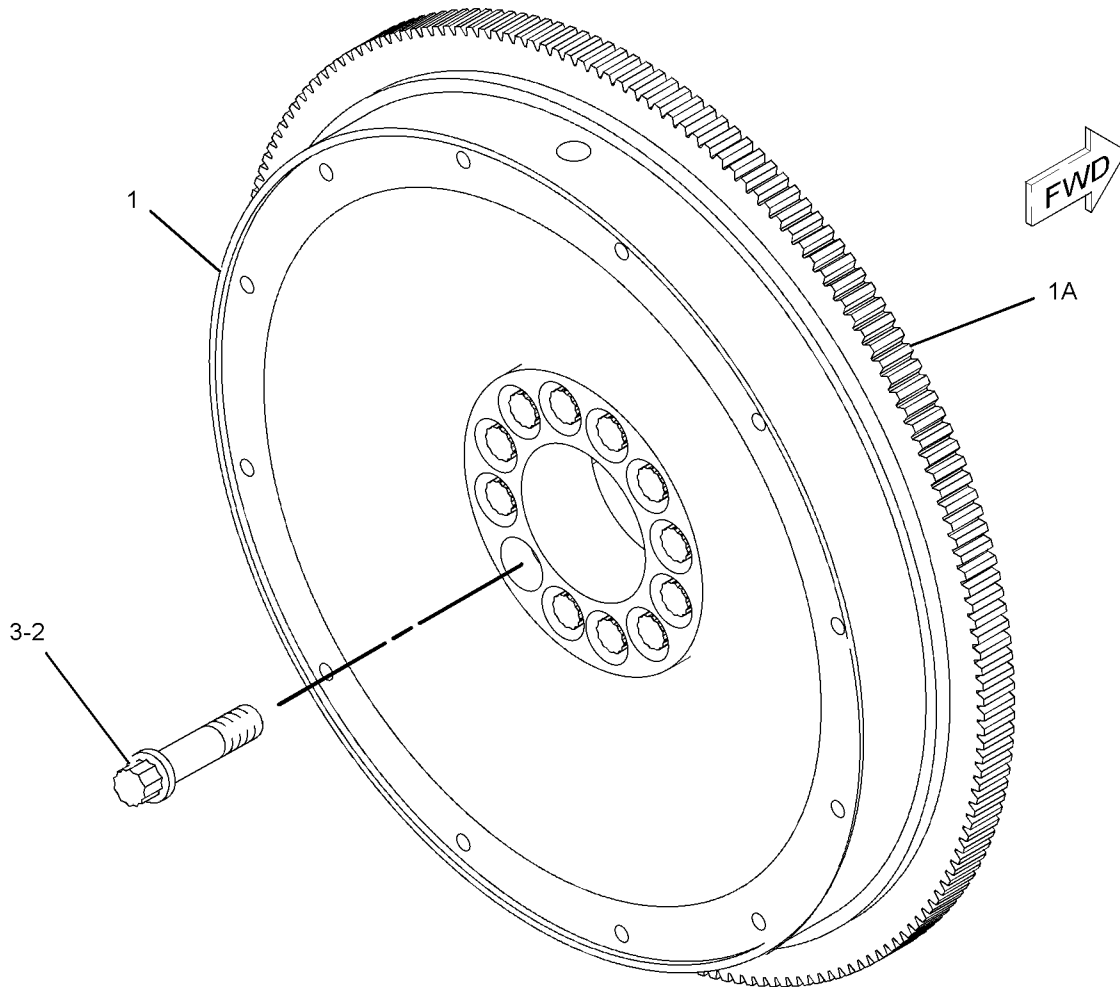
PART OF 357-0858, 376-4849 ENGINE AR-COMPLETE

SMCS-1156

i07039325

NOTE	REF NO	GRAPHIC REF	PART NUMBER	QTY	PART NAME						SEE PAGE
					1	2	3	4	5	6 (PRODUCT LEVEL)	
C	1	1	<b>462-8646</b>	1	FLYWHEEL AS						
	1A	1	<b>233-0643</b>	1	GEAR-FLYWHEEL (183-TEETH)						
	2	1	<b>9S-8893</b>	12	BOLT-12 POINT HEAD (1-14X4-IN)						
	3	1	<b>5P-8839</b>	12	WASHER-HARD (28X42X4-MM THK)						

C - CHANGE FROM PREVIOUS TYPE



GRAPHIC #1

<END>

g01109106

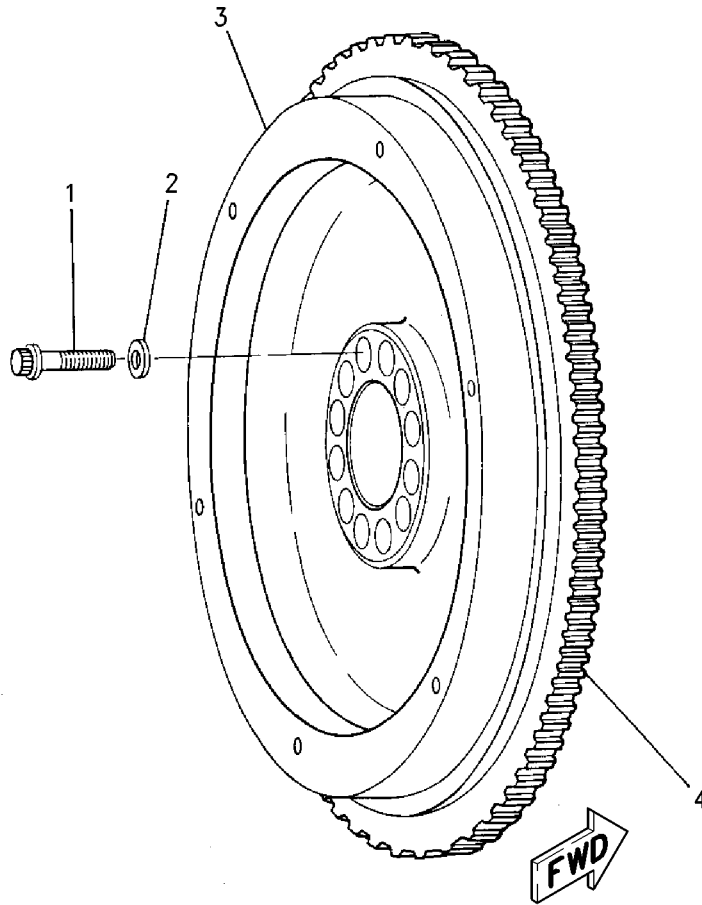
# BASIC ENGINE

## 7N-7784 FLYWHEEL GP FOR USE WITH SAE 0 FLYWHEEL HOUSING AN ATTACHMENT

SMCS-1156

i06691366

NOTE	REF NO	GRAPHIC REF	PART NUMBER	QTY	PART NAME						SEE PAGE
					1	2	3	4	5	6	
	1	1	<b>9S-8893</b>	12	BOLT-12 POINT HEAD (1-14X4-IN)						
	2	1	<b>5P-8839</b>	12	WASHER-HARD (28X42X4-MM THK)						
	3	1	<b>7N-7732</b>	1	FLYWHEEL AS						
	4	1	<b>8N-0896</b>	1	GEAR (151-TEETH)						



GRAPHIC #1

<END>

g00995207

# BASIC ENGINE

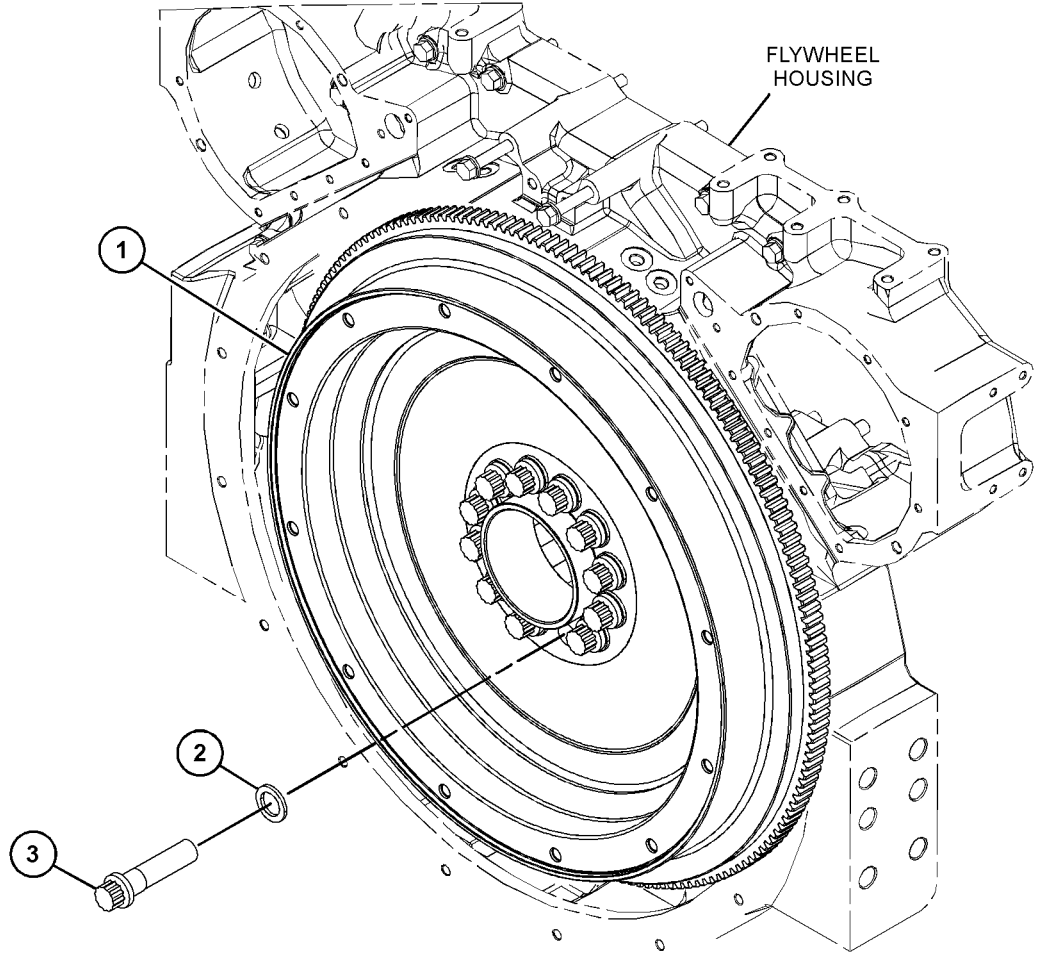
## 8N-6038 FLYWHEEL GP

FOR USE WITH SAE REVERSE ENGINE ROTATION  
PART OF 4W-1522, 4W-1534 CONVERSION AR-ENGINE  
AN ATTACHMENT

SMCS-1156

i07034535

NOTE	REF NO	GRAPHIC REF	PART NUMBER	QTY	PART NAME						SEE PAGE
					1	2	3	4	5	6 (PRODUCT LEVEL)	
	1	1	<b>471-0882</b>	1	FLYWHEEL AS						
		1	<b>233-0644</b>	1	GEAR-FLYWHEEL (183-TEETH)						
	2	1	<b>5P-8839</b>	12	WASHER-HARD (28X42X4-MM THK)						
	3	1	<b>9S-8893</b>	12	BOLT-12 POINT HEAD (1-14X4-IN)						



GRAPHIC #1

<END>

g06204734

# BASIC ENGINE

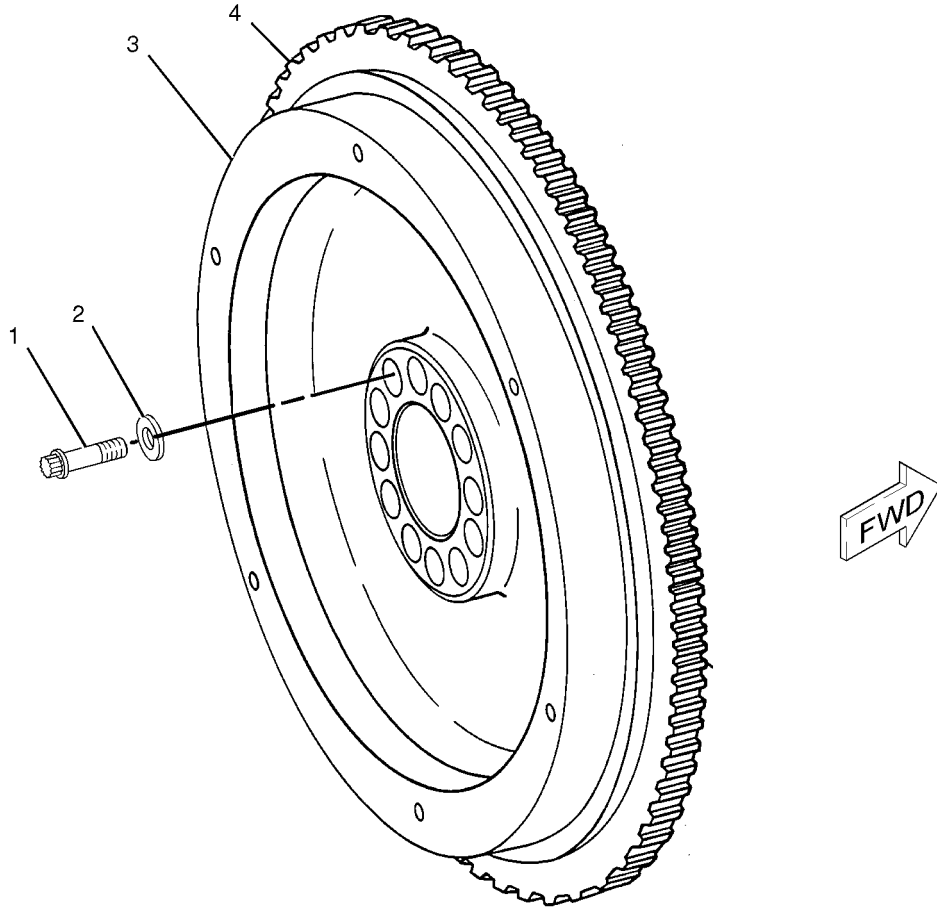
## 8N-6439 FLYWHEEL GP

FOR USE WITH SAE NO. 0 FLYWHEEL HOUSING ON REVERSE ENGINE ROTATION  
AN ATTACHMENT

SMCS-1156

i07109012

NOTE	REF NO	GRAPHIC REF	PART NUMBER	QTY	PART NAME						SEE PAGE
					1	2	3	4	5	6 (PRODUCT LEVEL)	
	1	1	<b>9S-8893</b>	12	BOLT-12 POINT HEAD (1-14X4-IN)						
	2	1	<b>5P-8839</b>	12	WASHER-HARD (28X42X4-MM THK)						
	3	1	<b>1N-3770</b>	1	FLYWHEEL AS						
	4	1	<b>1N-3784</b>	1	GEAR-FLYWHEEL (151-TEETH) (151 TEETH)						



GRAPHIC #1

<END>

g01025158

# BASIC ENGINE

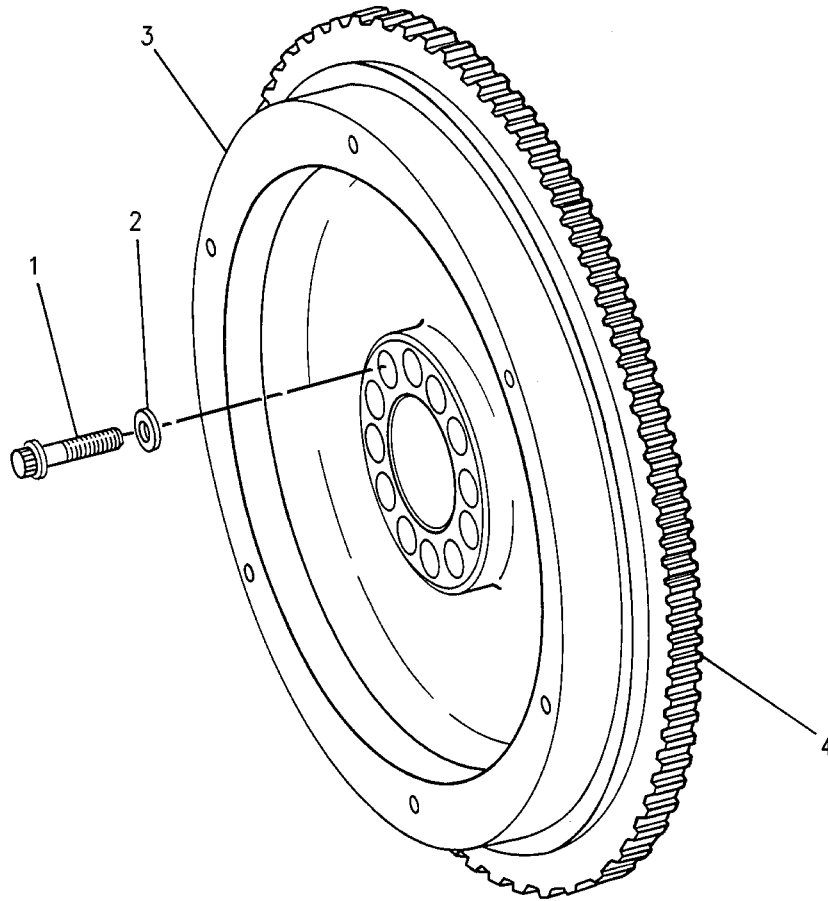
## 8N-9464 FLYWHEEL GP

FOR USE WITH (E302) STD ENG ROTATION USING 7231,7241 MAR GEAR., (E305 & E262)  
 ROTATION USING 7241 MAR GEAR.  
 AN ATTACHMENT

SMCS-1156

i01339388

NOTE	REF NO	GRAPHIC REF	PART NUMBER	QTY	PART NAME						SEE PAGE
					1	2	3	4	5	6 (PRODUCT LEVEL)	
	1	1	<b>9S-8893</b>	12	BOLT-12 POINT HEAD (1-14X4-IN)						
	2	1	<b>5P-8839</b>	12	WASHER-HARD (28X42X4-MM THK)						
	3	1	<b>8N-6563</b>	1	FLYWHEEL AS						
	4	1	<b>8N-0896</b>	1	GEAR (151-TEETH)						



GRAPHIC #1

<END>

g00519866

# BASIC ENGINE

## 8N-5620 GEAR GP-FRONT-LOW SPEED, STANDARD ROTATION S/N: 66Z190-228

SMCS-1151, 1162, 1206

i01406951

NOTE	REF NO	GRAPHIC REF	PART NUMBER	QTY	PART NAME						SEE PAGE
					1	2	3	4	5	6 (PRODUCT LEVEL)	
	1	1	<b>3B-8453</b>	1	SEAL-O-RING						
	2	1	<b>9M-1974</b>	4	WASHER-HARD (8.8X16X2-MM THK)						
	3	1	<b>4B-3388</b>	4	BOLT (5/16-18X1.125-IN)						
	4	1	<b>7N-5246</b>	2	WASHER-THRUST						
	5	1	<b>0S-1594</b>	7	BOLT (3/8-16X1-IN)						
	6	1	<b>7N-5263</b>	1	ADAPTER AS-PUMP (OIL)						
	7	1	<b>7N-5244</b>	1	BUSHING						
C	8	1	<b>2W-7586</b>	1	WASHER AS-THRUST						
	9	1	<b>7N-2047</b>	1	DOWEL						
C	10	1	<b>2W-7321</b>	1	GEAR AS-IDLER (66-TEETH) (66 TEETH)						
	11	1	<b>8N-5301</b>	1	BEARING						
C	12	1	<b>2W-2895</b>	1	GEAR-CRANKSHAFT (92-TEETH)						
	13	1	<b>3S-1307</b>	12	BOLT-12 POINT HEAD (3/8-16X2-IN)						
C	14	1	<b>2W-7584</b>	1	SHAFT						
	15	1	<b>8M-5255</b>	2	SEAL-O-RING						
C	16	1	<b>0T-0065</b>	2	BOLT (3/8-16X3.5-IN)						
	17	1	<b>2B-2006</b>	2	BOLT (1/2-13X4.75-IN)						
	18	1	<b>7N-5245</b>	1	ADAPTER AS-PUMP (WATER)						
	19	1	<b>7N-5244</b>	1	BUSHING						
	20	1	<b>6K-3771</b>	12	BOLT-12 POINT HEAD (7/16-14X1.5-IN)						
C	21	1	<b>2W-7320</b>	1	GEAR-ACCESSORY DRIVE (46-TEETH)						
	22	1	<b>7N-5239</b>	1	SHAFT AS-PUMP DRIVE						
	23	1	<b>2F-4547</b>	1	DOWEL						
	24	1	<b>1T-0132</b>	1	SEAL-O-RING						

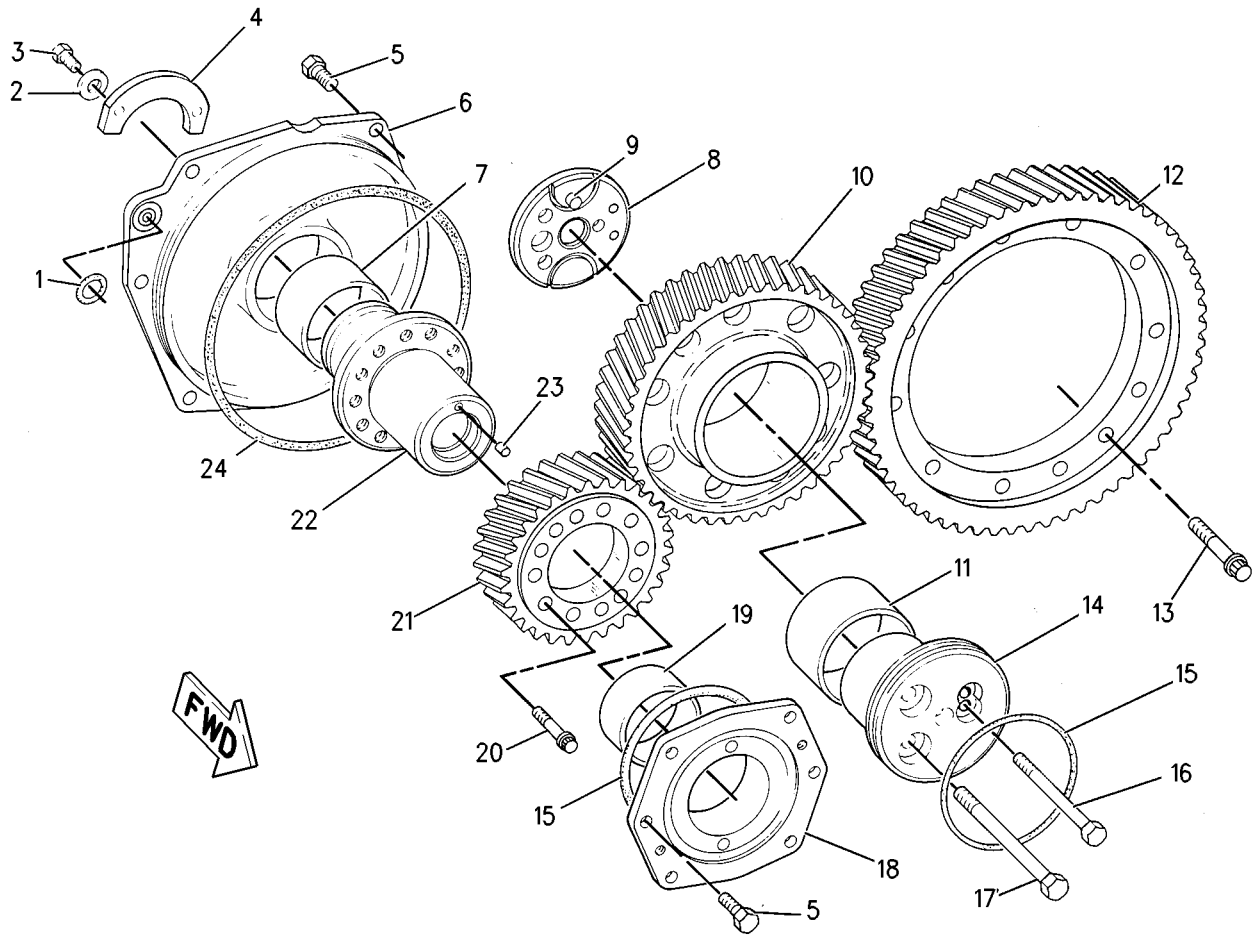
C - CHANGE FROM PREVIOUS TYPE



# BASIC ENGINE

8N-5620 GEAR GP-FRONT (contd.)

i01406951



GRAPHIC #1

<END>

g00740610

# BASIC ENGINE

## 8N-5620 GEAR GP-FRONT-LOW SPEED, STANDARD ROTATION

S/N: 66Z229-578

SMCS-1151, 1162, 1206

i02758219

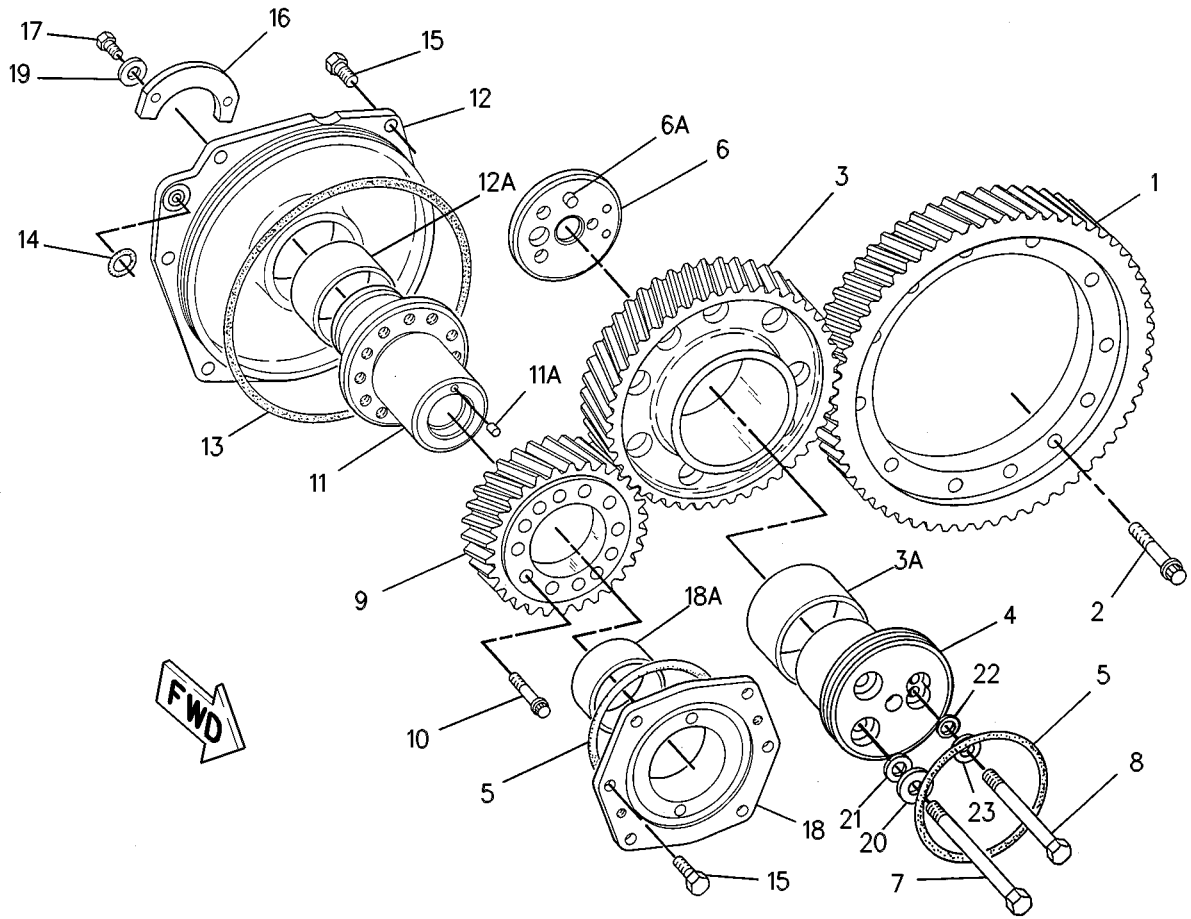
NOTE	REF NO	GRAPHIC REF	PART NUMBER	QTY	PART NAME						SEE PAGE
					1	2	3	4	5	6 (PRODUCT LEVEL)	
	1	1	<b>2W-2895</b>	1	GEAR-CRANKSHAFT (92-TEETH)						
	2	1	<b>3S-1307</b>	12	BOLT-12 POINT HEAD (3/8-16X2-IN)						
	3	1	<b>116-3242</b>	1	GEAR AS-IDLER (66-TEETH)						
	3A	1	<b>116-1365</b>	1	BUSHING						
C	4	1	<b>7C-3259</b>	1	SHAFT						
	5	1	<b>8M-5255</b>	2	SEAL-O-RING						
C	6	1	<b>7C-3258</b>	1	WASHER AS-THRUST						
	6A	1	<b>7N-2047</b>	1	DOWEL						
C	7	1	<b>1D-4572</b>	2	BOLT (1/2-13X5.5-IN)						
C	8	1	<b>0T-0055</b>	2	BOLT (3/8-16X4.25-IN)						
	9	1	<b>2W-7320</b>	1	GEAR-ACCESSORY DRIVE (46-TEETH)						
	10	1	<b>6K-3771</b>	12	BOLT-12 POINT HEAD (7/16-14X1.5-IN)						
	11	1	<b>7N-5239</b>	1	SHAFT AS-PUMP DRIVE						
	11A	1	<b>8T-2153</b>	1	SETSCREW-SOCKET (1/4-28X0.31-IN)						
	12	1	<b>7N-5263</b>	1	ADAPTER AS-PUMP (OIL)						
	12A	1	<b>127-5400</b>	1	BUSHING						
	13	1	<b>1T-0132</b>	1	SEAL-O-RING						
	14	1	<b>3B-8453</b>	1	SEAL-O-RING						
	15	1	<b>0S-1594</b>	7	BOLT (3/8-16X1-IN)						
	16	1	<b>7N-5246</b>	2	WASHER-THRUST						
	17	1	<b>4B-3388</b>	4	BOLT (5/16-18X1.125-IN)						
	18	1	<b>7N-5245</b>	1	ADAPTER AS-PUMP (WATER)						
	18A	1	<b>127-5400</b>	1	BUSHING						
	19	1	<b>9M-1974</b>	4	WASHER-HARD (8.8X16X2-MM THK)						
C	20	1	<b>5P-8245</b>	2	WASHER-HARD (13.5X25.5X3-MM THK)						
C	21	1	<b>5R-7137</b>	2	WASHER-SEALING						
C	22	1	<b>5M-2894</b>	2	WASHER-HARD (10.2X18.5X2.5-MM THK)						
C	23	1	<b>5R-7136</b>	2	WASHER-SEALING						

C - CHANGE FROM PREVIOUS TYPE

# BASIC ENGINE

8N-5620 GEAR GP-FRONT (contd.)

102758219



GRAPHIC #1

<END>

g00560647

# BASIC ENGINE

## 8N-5768 GEAR GP-FRONT-RH

S/N: 50Y647-1304

REVERSE ROTATION, HIGH SPEED

PART OF 4W-1522 CONVERSION AR-ENGINE

AN ATTACHMENT

TYPE 1

SMCS-1151, 1162, 1206

i01406952

NOTE	REF NO	GRAPHIC REF	PART NUMBER	QTY	PART NAME						SEE PAGE
					1	2	3	4	5	6 (PRODUCT LEVEL)	
	1	1	<b>7J-8114</b>	1	GASKET						
	2	1	<b>8M-5255</b>	2	SEAL-O-RING						
	3	1	<b>6K-3772</b>	24	BOLT-12 POINT HEAD (7/16-14X2.25-IN)						
	4	1	<b>7N-5250</b>	1	GEAR-PUMP DRIVE (69-TEETH)						
	5	1	<b>7N-5248</b>	1	GEAR-AUXILIARY DRIVE (63-TEETH)						
	6	1	<b>1T-0132</b>	2	SEAL-O-RING						
	7	1	<b>7N-5874</b>	1	SHAFT-AUXILIARY DRIVE (14-TEETH)						
	8	1	<b>7N-5245</b>	1	ADAPTER AS-PUMP						
	9	1	<b>7N-5244</b>	1	BUSHING						
	10	1	<b>7N-5875</b>	1	GEAR-AUXILIARY DRIVE (63-TEETH)						
	11	1	<b>8N-5771</b>	1	SPACER (76X121X22.5-MM THK)						
	12	1	<b>0S-1594</b>	5	BOLT (3/8-16X1-IN)						
	13	1	<b>0L-1351</b>	4	BOLT (3/8-16X0.875-IN)						
	14	1	<b>8M-1279</b>	1	COVER-PROTECTION						
	15	1	<b>7N-5263</b>	1	ADAPTER AS-PUMP						
	16	1	<b>7N-5244</b>	1	BUSHING						
	17	1	<b>7N-5239</b>	1	SHAFT AS-PUMP DRIVE						
		1	<b>2F-4547</b>	1	DOWEL						
	18	1	<b>7N-5743</b>	1	ADAPTER AS						
	19	1	<b>7N-5244</b>	1	BUSHING						
	20	1	<b>6H-1717</b>	2	BOLT (1/2-13X1.125-IN)						
		1	<b>5P-8245</b>	2	WASHER-HARD (13.5X25.5X3-MM THK)						
	21	1	<b>7N-5246</b>	2	WASHER-THRUST						
	22	1	<b>4B-3388</b>	4	BOLT (5/16-18X1.125-IN)						
		1	<b>9M-1974</b>	4	WASHER-HARD (8.8X16X2-MM THK)						
	23	1	<b>4D-0514</b>	1	PLUG-PIPE						
	24	1	<b>2M-4453</b>	1	SEAL-O-RING						
	25	2	<b>9F-2247</b>	2	PLUG-PIPE						
	26	2	<b>3B-8453</b>	2	SEAL-O-RING						
	27	2	<b>7N-5279</b>	1	ADAPTER AS						
		2	<b>7N-5244</b>	1	BUSHING						
	28	2	<b>0S-1594</b>	8	BOLT (3/8-16X1-IN)						
	29	2	<b>7N-7539</b>	2	WASHER-THRUST						
	30	2	<b>2B-2695</b>	4	BOLT (5/16-18X0.875-IN)						
		2	<b>9M-1974</b>	4	WASHER-HARD (8.8X16X2-MM THK)						
	31	2	<b>7N-5241</b>	1	GEAR AS-IDLER (53-TEETH)						
		2	<b>7N-5243</b>	1	BUSHING						
	32	2	<b>8M-5255</b>	1	SEAL-O-RING						
C	33	2	<b>2W-7585</b>	1	WASHER-THRUST						
	34	2	<b>7N-2047</b>	1	DOWEL						
	35	2	<b>7N-5253</b>	1	SHAFT						
	36	2	<b>3S-1307</b>	12	BOLT-12 POINT HEAD (3/8-16X2-IN)						
	37	2	<b>8N-6645</b>	1	GEAR-CRANKSHAFT (92-TEETH)						

# BASIC ENGINE

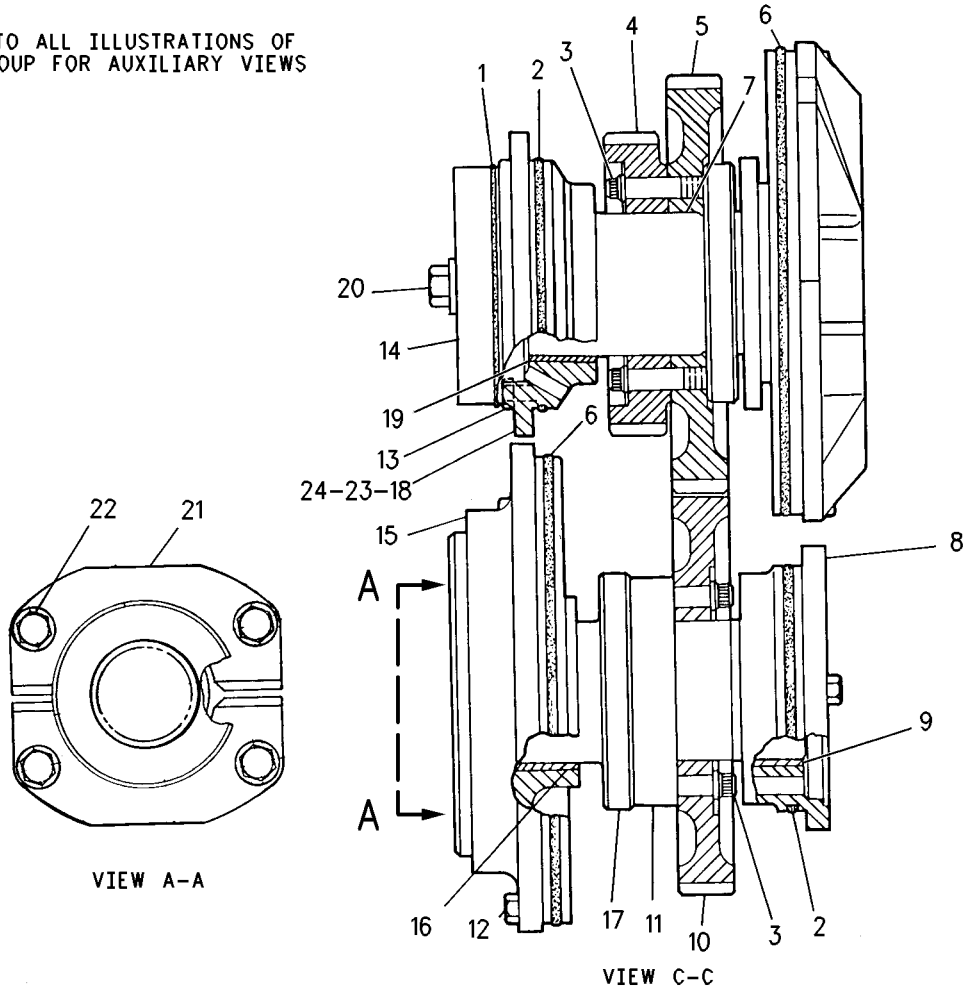
8N-5768 GEAR GP-FRONT (contd.)

i01406952

NOTE	REF	GRAPHIC	PART NUMBER	QTY	PART NAME						SEE PAGE
	NO	REF			1	2	3	4	5	6 (PRODUCT LEVEL)	
	38	2	<b>2B-2006</b>	2	BOLT (1/2-13X4.75-IN)						
	39	2	<b>0T-0065</b>	1	BOLT (3/8-16X3.5-IN)						

C - CHANGE FROM PREVIOUS TYPE

REFER TO ALL ILLUSTRATIONS OF THIS GROUP FOR AUXILIARY VIEWS



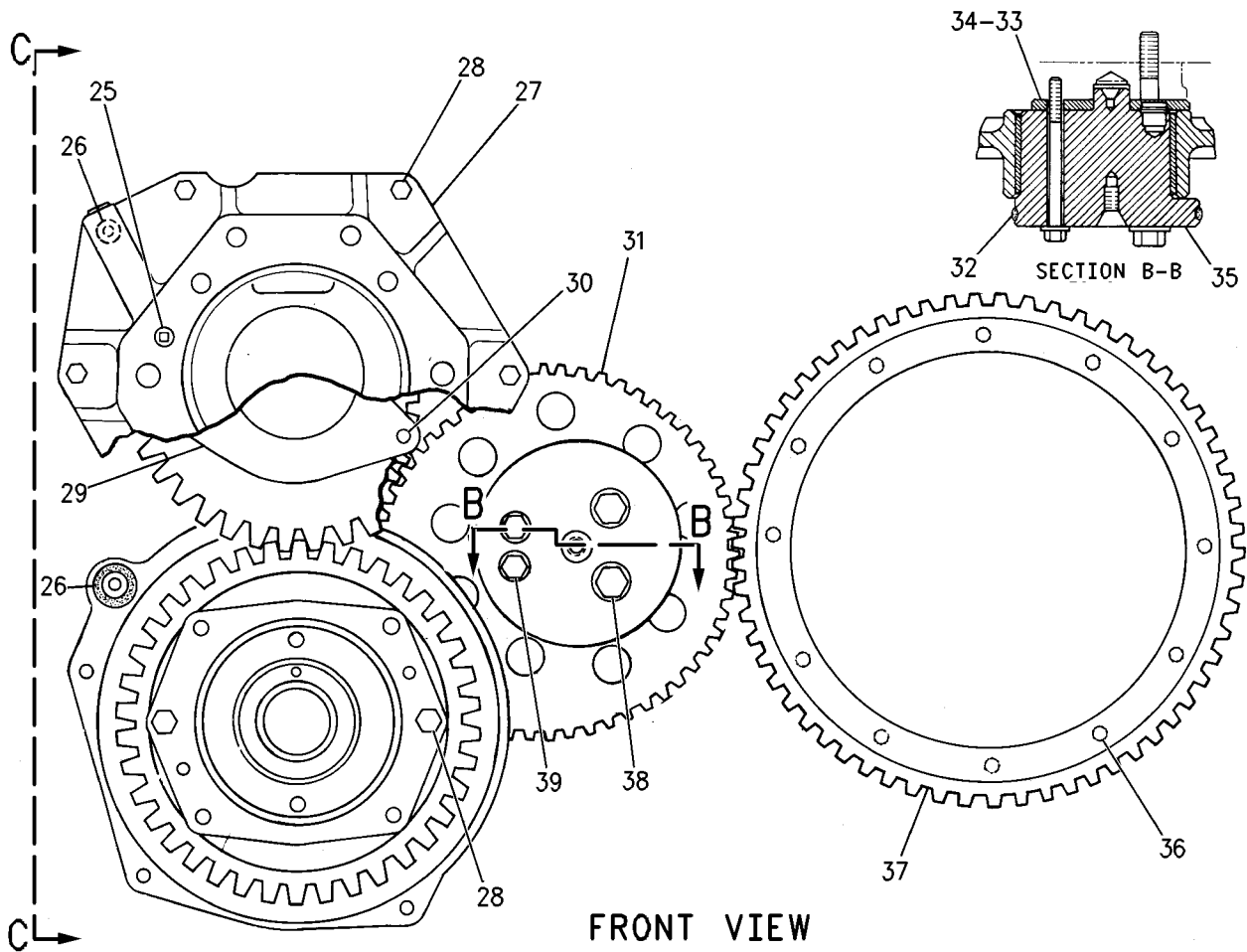
GRAPHIC #1

g00740524

# BASIC ENGINE

8N-5768 GEAR GP-FRONT (contd.)

i01406952



GRAPHIC #2

<END>

g00740525

# BASIC ENGINE

## 8N-5768 GEAR GP-FRONT-RH

S/N: 50Y647-1304

REVERSE ROTATION, HIGH SPEED  
PART OF 4W-1522 CONVERSION AR-ENGINE  
AN ATTACHMENT  
TYPE 2

SMCS-1151, 1162, 1206

i02293584

NOTE	REF NO	GRAPHIC REF	PART NUMBER	QTY	PART NAME						SEE PAGE
					1	2	3	4	5	6 (PRODUCT LEVEL)	
C	1	1	<b>2W-2895</b>	1	GEAR-CRANKSHAFT (92-TEETH)						
C	2	1	<b>5R-7136</b>	1	WASHER-SEALING						
C	3	1	<b>5R-7137</b>	2	WASHER-SEALING						
C	4	1	<b>7C-3258</b>	1	WASHER AS-THRUST						
	4A	1	<b>7N-2047</b>	1	DOWEL						
C	5	1	<b>7C-3260</b>	1	SHAFT						
	6	2	<b>7C-4165</b>	1	ADAPTER AS						
	6A	2	<b>127-5400</b>	1	BUSHING						
	8	2	<b>7E-0275</b>	1	GEAR-WATER PUMP DRIVE (69-TEETH)						
	9	2	<b>7J-8114</b>	1	GASKET						
	10	2	<b>7N-5239</b>	1	SHAFT AS-PUMP DRIVE						
	10A	2	<b>8T-2153</b>	1	SETSCREW-SOCKET (1/4-28X0.31-IN)						
	11	2	<b>7N-5245</b>	1	ADAPTER AS-PUMP						
	11A	2	<b>127-5400</b>	1	BUSHING						
	12	2	<b>7N-5246</b>	2	WASHER-THRUST						
	13	2	<b>7N-5248</b>	1	GEAR-AUXILIARY DRIVE (63-TEETH)						
	14	2	<b>7N-5263</b>	1	ADAPTER AS-PUMP						
	14A	2	<b>127-5400</b>	1	BUSHING						
	15	2	<b>7N-5279</b>	1	ADAPTER AS						
	15A	2	<b>127-5400</b>	1	BUSHING						
	16	2	<b>7N-5874</b>	1	SHAFT-AUXILIARY DRIVE (14-TEETH)						
	17	2	<b>7N-5875</b>	1	GEAR-AUXILIARY DRIVE (63-TEETH)						
	18	2	<b>7N-7539</b>	2	WASHER-THRUST						
	19	2	<b>8N-5771</b>	1	SPACER (76X121X22.5-MM THK)						
	20	2	<b>8P-1438</b>	1	COVER						
	21	1	<b>7E-0274</b>	1	GEAR AS-IDLER (53-TEETH)						
	21A	1	<b>7N-5243</b>		BUSHING						
	22	2	<b>0L-1351</b>	4	BOLT (3/8-16X0.875-IN)						
	24	2	<b>0S-1594</b>	13	BOLT (3/8-16X1-IN)						
	25	2	<b>0S-1595</b>	2	BOLT (1/2-13X1.25-IN)						
C	26	1	<b>0T-0055</b>	1	BOLT (3/8-16X4.25-IN)						
	27	2	<b>1T-0132</b>	2	SEAL-O-RING						
	28	2	<b>2B-2695</b>	4	BOLT (5/16-18X0.875-IN)						
	29	2	<b>2M-4453</b>	1	SEAL-O-RING						
	30	2	<b>3B-8453</b>	2	SEAL-O-RING						
	31	1	<b>3S-1307</b>	12	BOLT-12 POINT HEAD (3/8-16X2-IN)						
	32	2	<b>4B-3388</b>	4	BOLT (5/16-18X1.125-IN)						
C	33	1	<b>5M-2894</b>	1	WASHER-HARD (10.2X18.5X2.5-MM THK)						
	34	1,2	<b>5P-8245</b>	4	WASHER-HARD (13.5X25.5X3-MM THK)						
	35	2	<b>6K-3772</b>	24	BOLT-12 POINT HEAD (7/16-14X2.25-IN)						
	36	1,2	<b>8M-5255</b>	3	SEAL-O-RING						
B	37	2	<b>9F-2247</b>	2	PLUG-PIPE						
	38	2	<b>4D-0514</b>	1	PLUG-PIPE						

# BASIC ENGINE

**8N-5768 GEAR GP-FRONT (contd.)**

**i02293584**

NOTE	REF	GRAPHIC	PART NUMBER	QTY	PART NAME	SEE
	NO	REF			1 2 3 4 5 6 (PRODUCT LEVEL)	
	39	2	<b>9M-1974</b>	8	WASHER-HARD (8.8X16X2-MM THK)	
	40	1	<b>1D-4572</b>	2	BOLT (1/2-13X5.5-IN)	

B - USE AS REQUIRED  
 C - CHANGE FROM PREVIOUS TYPE

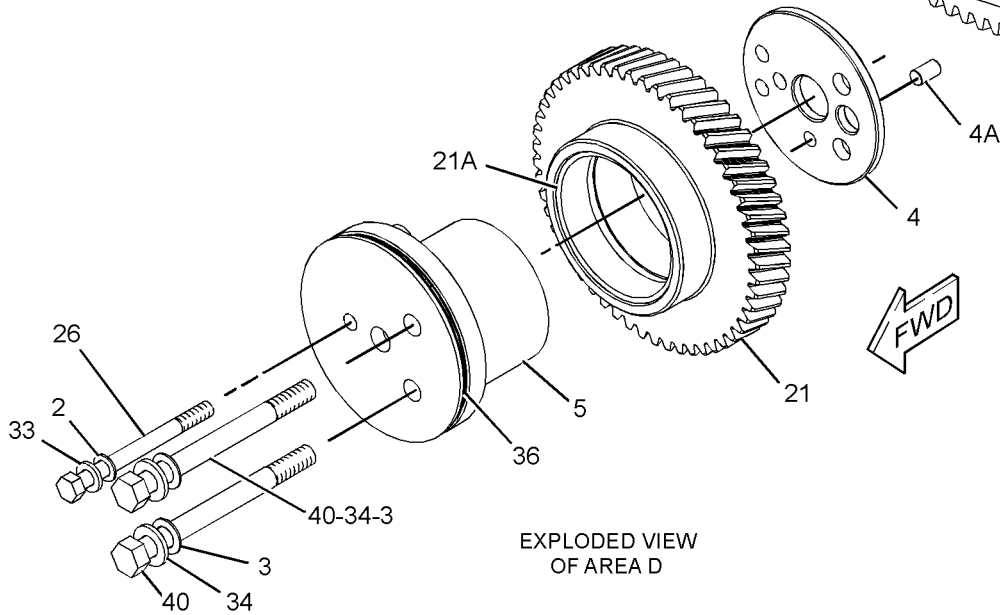
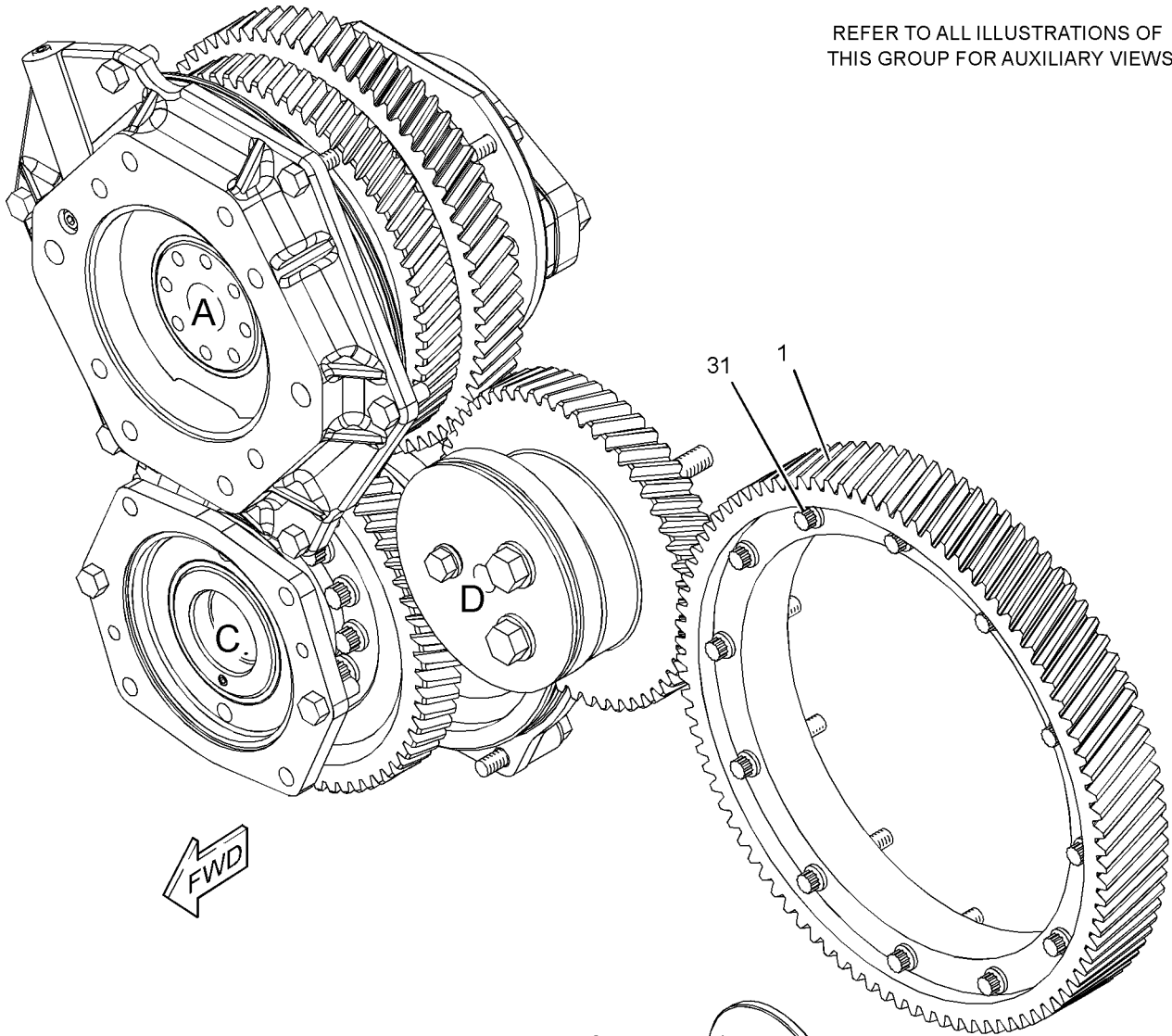


# BASIC ENGINE

8N-5768 GEAR GP-FRONT (contd.)

102293584

REFER TO ALL ILLUSTRATIONS OF THIS GROUP FOR AUXILIARY VIEWS



EXPLODED VIEW OF AREA D

GRAPHIC #1

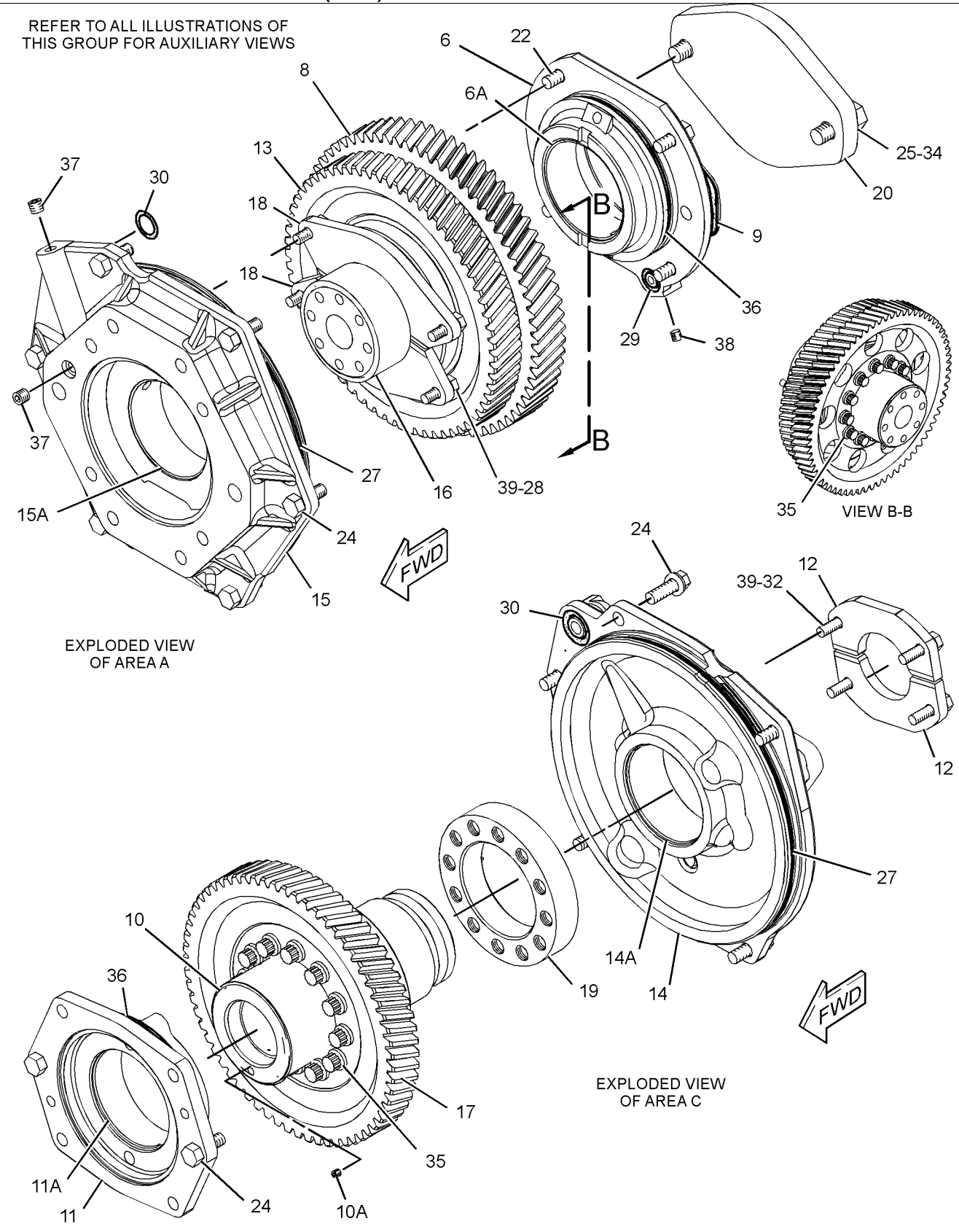
g01152601

# BASIC ENGINE

8N-5768 GEAR GP-FRONT (contd.)

i02293584

REFER TO ALL ILLUSTRATIONS OF THIS GROUP FOR AUXILIARY VIEWS



EXPLODED VIEW OF AREA A

VIEW B-B

EXPLODED VIEW OF AREA C

GRAPHIC #2

<END>

g01152600

# BASIC ENGINE

## 8N-5768 GEAR GP-FRONT-RH

S/N: 50Y647-1304

REVERSE ROTATION, HIGH SPEED  
PART OF 4W-1522 CONVERSION AR-ENGINE  
AN ATTACHMENT  
TYPE 3

SMCS-1151, 1162, 1206

i07053137

NOTE	REF NO	GRAPHIC REF	PART NUMBER	QTY	PART NAME 1 2 3 4 5 6 (PRODUCT LEVEL)	SEE PAGE
	1	1	<b>2W-2895</b>	1	GEAR-CRANKSHAFT (92-TEETH)	
	2	1	<b>5R-7136</b>	1	WASHER-SEALING	
	3	1	<b>5R-7137</b>	2	WASHER-SEALING	
	4	1	<b>7C-3258</b>	1	WASHER AS-THRUST	
	4A	1	<b>7N-2047</b>	1	DOWEL	
	5	1	<b>7C-3260</b>	1	SHAFT	
	6	2	<b>7C-4165</b>	1	ADAPTER AS	
	6A	2	<b>127-5400</b>	1	BUSHING	
	8	2	<b>7E-0275</b>	1	GEAR-WATER PUMP DRIVE (69-TEETH)	
	9	2	<b>7J-8114</b>	1	GASKET	
	10	2	<b>7N-5239</b>	1	SHAFT AS-PUMP DRIVE	
	10A	2	<b>8T-2153</b>	1	SETSCREW-SOCKET (1/4-28X0.31-IN)	
	11	2	<b>7N-5245</b>	1	ADAPTER AS-PUMP	
	11A	2	<b>127-5400</b>	1	BUSHING	
	12	2	<b>7N-5246</b>	2	WASHER-THRUST	
	13	2	<b>7N-5248</b>	1	GEAR-AUXILIARY DRIVE (63-TEETH)	
	14	2	<b>278-4287</b>	1	ADAPTER AS-PUMP	
	14A	2	<b>127-5400</b>	1	BUSHING	
	15	2	<b>7N-5279</b>	1	ADAPTER AS	
	15A	2	<b>127-5400</b>	1	BUSHING	
	16	2	<b>7N-5874</b>	1	SHAFT-AUXILIARY DRIVE (14-TEETH)	
	17	2	<b>7N-5875</b>	1	GEAR-AUXILIARY DRIVE (63-TEETH)	
	18	2	<b>7N-7539</b>	2	WASHER-THRUST	
	19	2	<b>8N-5771</b>	1	SPACER (76X121X22.5-MM THK)	
	20	2	<b>8P-1438</b>	1	COVER	
C	21	1	<b>144-8263</b>	1	GEAR AS-IDLER (53-TEETH)	
	21A	1	<b>140-9597</b>	1	BUSHING	
	22	2	<b>0L-1351</b>	4	BOLT (3/8-16X0.875-IN)	
	23	2	<b>0S-1590</b>	5	BOLT (3/8-16X2-IN)	
	24	2	<b>0S-1594</b>	2	BOLT (3/8-16X1-IN)	
	25	2	<b>0S-1595</b>	2	BOLT (1/2-13X1.25-IN)	
	26	1	<b>0T-0055</b>	1	BOLT (3/8-16X4.25-IN)	
	27	2	<b>235-3546</b>	2	SEAL-O-RING	
	28	2	<b>2B-2695</b>	4	BOLT (5/16-18X0.875-IN)	
	29	2	<b>5P-0840</b>	1	SEAL-O-RING	
	30	2	<b>6V-3348</b>	2	SEAL-O-RING	
	31	1	<b>3S-1307</b>	12	BOLT-12 POINT HEAD (3/8-16X2-IN)	
	32	2	<b>4B-3388</b>	4	BOLT (5/16-18X1.125-IN)	
	33	1,2	<b>5M-2894</b>	12	WASHER-HARD (10.2X18.5X2.5-MM THK)	
	34	1,2	<b>5P-8245</b>	4	WASHER-HARD (13.5X25.5X3-MM THK)	
	35	2	<b>6K-3772</b>	24	BOLT-12 POINT HEAD (7/16-14X2.25-IN)	
	37	2	<b>8T-6757</b>	1	PLUG-PIPE	
C	38	2	<b>8T-6759</b>	1	PLUG-PIPE	
	39	2	<b>9M-1974</b>	8	WASHER-HARD (8.8X16X2-MM THK)	

# BASIC ENGINE

**8N-5768 GEAR GP-FRONT (contd.)**

**i07053137**

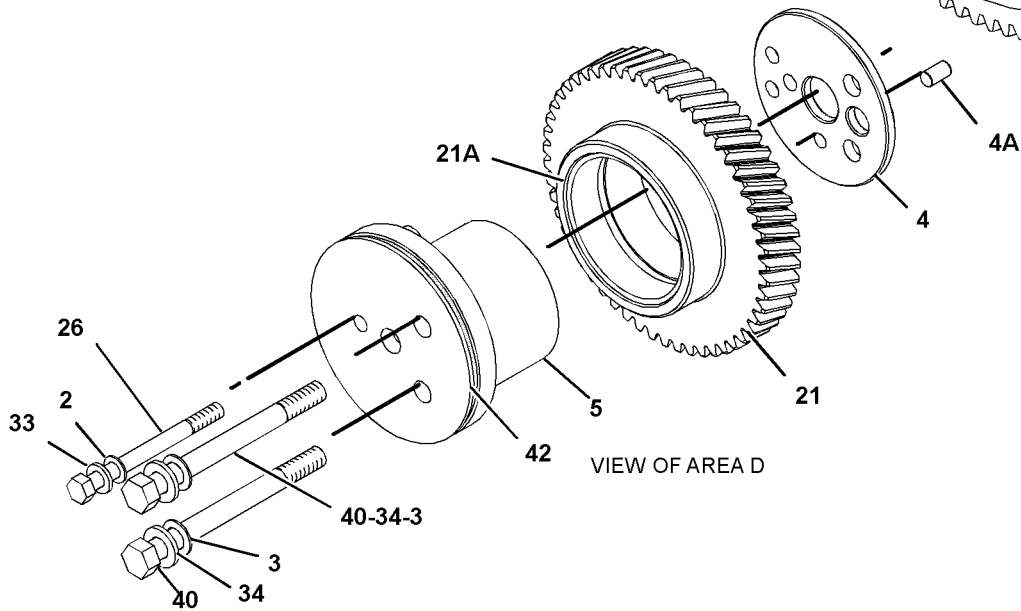
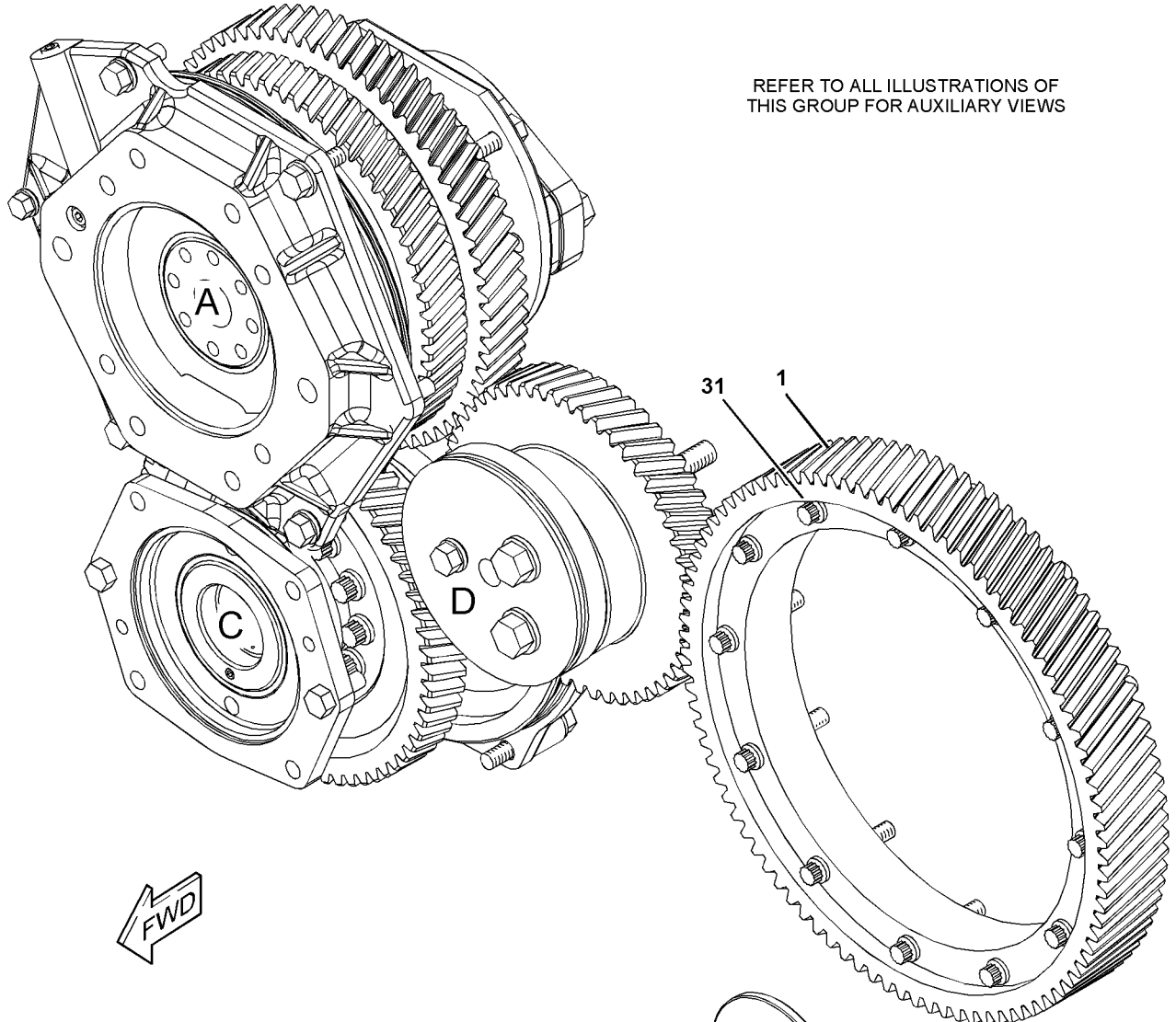
NOTE	REF NO	GRAPHIC REF	PART NUMBER	QTY	PART NAME						SEE PAGE
					1	2	3	4	5	6 (PRODUCT LEVEL)	
	40	1	<b>9X-8879</b>	2	BOLT (1/2-13X5.5-IN)						
B	41	2	<b>8T-6757</b>	1	PLUG-PIPE						
	42	1,2	<b>259-4598</b>	3	SEAL-O-RING						
	43	2	<b>3B-1915</b>	6	BOLT (3/8-16X1.375-IN)						

B - USE AS REQUIRED  
 C - CHANGE FROM PREVIOUS TYPE

# BASIC ENGINE

8N-5768 GEAR GP-FRONT (contd.)

107053137



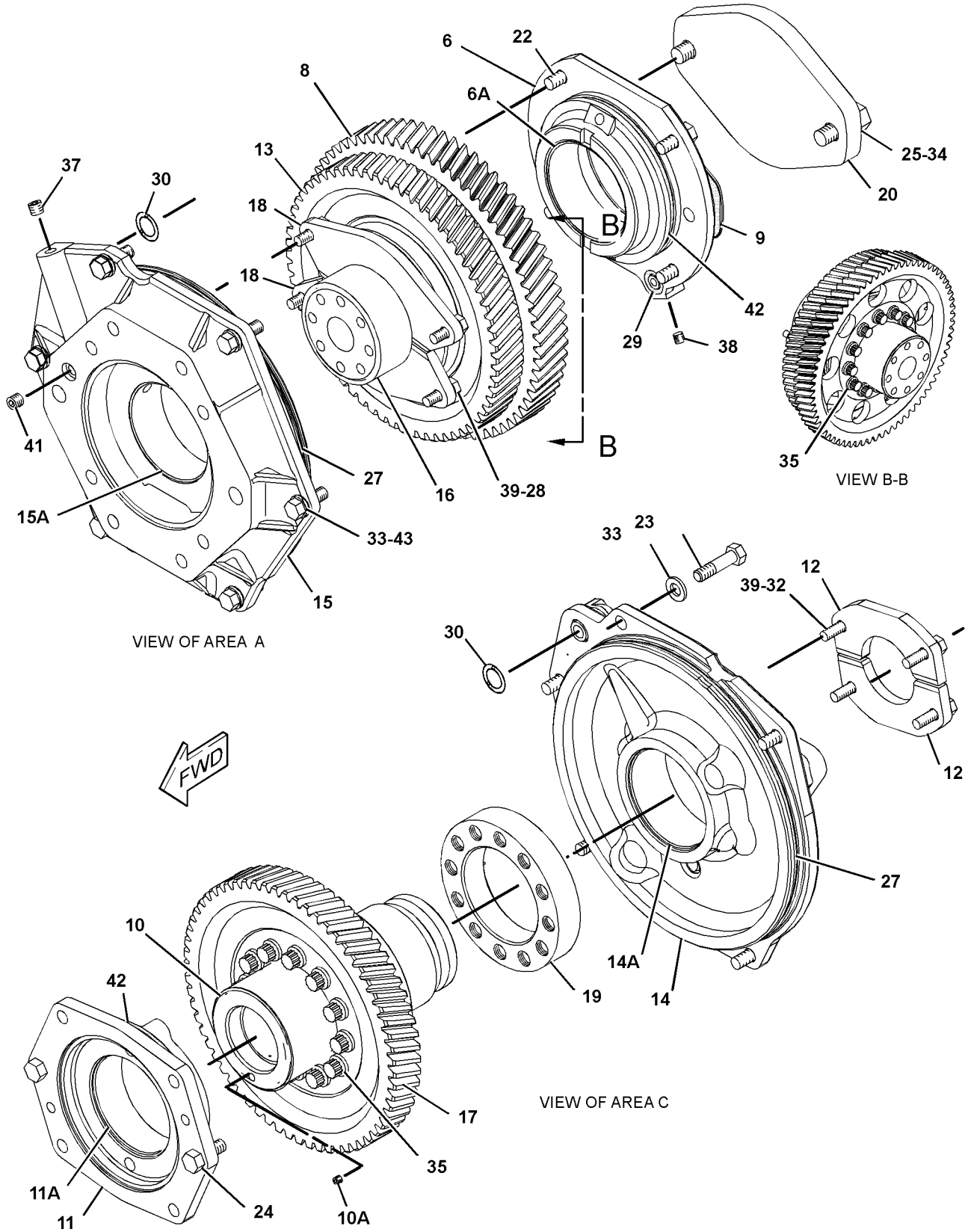
GRAPHIC #1

g06213349

# BASIC ENGINE

8N-5768 GEAR GP-FRONT (contd.)

i07053137



GRAPHIC #2

<END>

g06213350

# BASIC ENGINE

## 8N-5769 GEAR GP-FRONT-RH

S/N: 66Z190-578

REVERSE ROTATION, LOW SPEED

PART OF 4W-1534 CONVERSION AR-ENGINE

AN ATTACHMENT

TYPE 1

SMCS-1151, 1162, 1206

i01794864

NOTE	REF NO	GRAPHIC REF	PART NUMBER	QTY	PART NAME						SEE PAGE
					1	2	3	4	5	6 (PRODUCT LEVEL)	
	1	1	<b>7J-8114</b>	1	GASKET						
	2	1	<b>8M-5255</b>	2	SEAL-O-RING						
	3	1	<b>6K-3772</b>	24	BOLT-12 POINT HEAD (7/16-14X2.25-IN)						
C	4	1	<b>2W-7320</b>	1	GEAR-ACCESSORY DRIVE (46-TEETH)						
	5	1	<b>7N-5248</b>	1	GEAR-AUXILIARY DRIVE (63-TEETH)						
	6	1	<b>1T-0132</b>	2	SEAL-O-RING						
	7	1	<b>7N-5874</b>	1	SHAFT-AUXILIARY DRIVE (14-TEETH)						
	8	1	<b>7N-5245</b>	1	ADAPTER AS-PUMP						
	9	1	<b>7N-5244</b>	1	BUSHING						
	10	1	<b>7N-5875</b>	1	GEAR-AUXILIARY DRIVE (63-TEETH)						
	11	1	<b>8N-5771</b>	1	SPACER (76X121X22.5-MM THK)						
	12	1	<b>0S-1594</b>	5	BOLT (3/8-16X1-IN)						
	13	1	<b>0L-1351</b>	4	BOLT (3/8-16X0.875-IN)						
	14	1	<b>8M-1279</b>	1	COVER-PROTECTION						
	15	1	<b>7N-5263</b>	1	ADAPTER AS-PUMP						
	16	1	<b>7N-5244</b>	1	BUSHING						
	17	1	<b>7N-5239</b>	1	SHAFT AS-PUMP DRIVE						
		1	<b>2F-4547</b>	1	DOWEL						
	18	1	<b>7N-5743</b>	1	ADAPTER AS						
	19	1	<b>7N-5244</b>	1	BUSHING						
	20	1	<b>6H-1717</b>	2	BOLT (1/2-13X1.125-IN)						
		1	<b>5P-8245</b>	2	WASHER-HARD (13.5X25.5X3-MM THK)						
	21	1	<b>7N-5246</b>	2	WASHER-THRUST						
	22	1	<b>4B-3388</b>	4	BOLT (5/16-18X1.125-IN)						
		1	<b>9M-1974</b>	4	WASHER-HARD (8.8X16X2-MM THK)						
	23	1	<b>4D-0514</b>	1	PLUG-PIPE						
		1	<b>2M-4453</b>	1	SEAL-O-RING						
	24	2	<b>9F-2247</b>	2	PLUG-PIPE						
	25	2	<b>3B-8453</b>	2	SEAL-O-RING						
	26	2	<b>7N-5279</b>	1	ADAPTER AS						
		2	<b>7N-5244</b>	1	BUSHING						
	27	2	<b>0S-1594</b>	8	BOLT (3/8-16X1-IN)						
	28	2	<b>7N-7539</b>	2	WASHER-THRUST						
	29	2	<b>2B-2695</b>	4	BOLT (5/16-18X0.875-IN)						
		2	<b>9M-1974</b>	4	WASHER-HARD (8.8X16X2-MM THK)						
C	30	2	<b>2W-7321</b>	1	GEAR AS-IDLER (66-TEETH) (66 TEETH)						
		2	<b>8N-5301</b>	1	BEARING						
	31	2	<b>8M-5255</b>	1	SEAL-O-RING						
C	32	2	<b>2W-7585</b>	1	WASHER-THRUST						
	33	2	<b>7N-2047</b>	1	DOWEL						
C	34	2	<b>2W-7584</b>	1	SHAFT						
	35	2	<b>3S-1307</b>	12	BOLT-12 POINT HEAD (3/8-16X2-IN)						
C	36	2	<b>2W-2895</b>	1	GEAR-CRANKSHAFT (92-TEETH)						

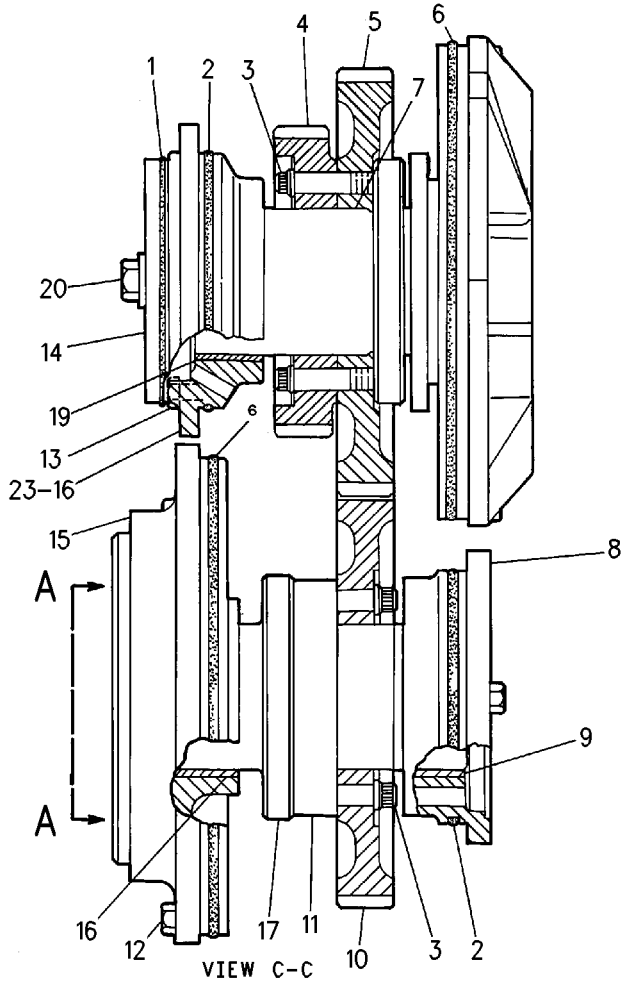
# BASIC ENGINE

8N-5769 GEAR GP-FRONT (contd.)

i01794864

NOTE	REF NO	GRAPHIC REF	PART NUMBER	QTY	PART NAME	SEE
						1 2 3 4 5 6 (PRODUCT LEVEL)
	37	2	<b>2B-2006</b>	2	BOLT (1/2-13X4.75-IN)	
C	38	2	<b>0T-0065</b>	2	BOLT (3/8-16X3.5-IN)	

C - CHANGE FROM PREVIOUS TYPE



REFER TO ALL ILLUSTRATIONS OF THIS GROUP FOR AUXILIARY VIEWS

GRAPHIC #1

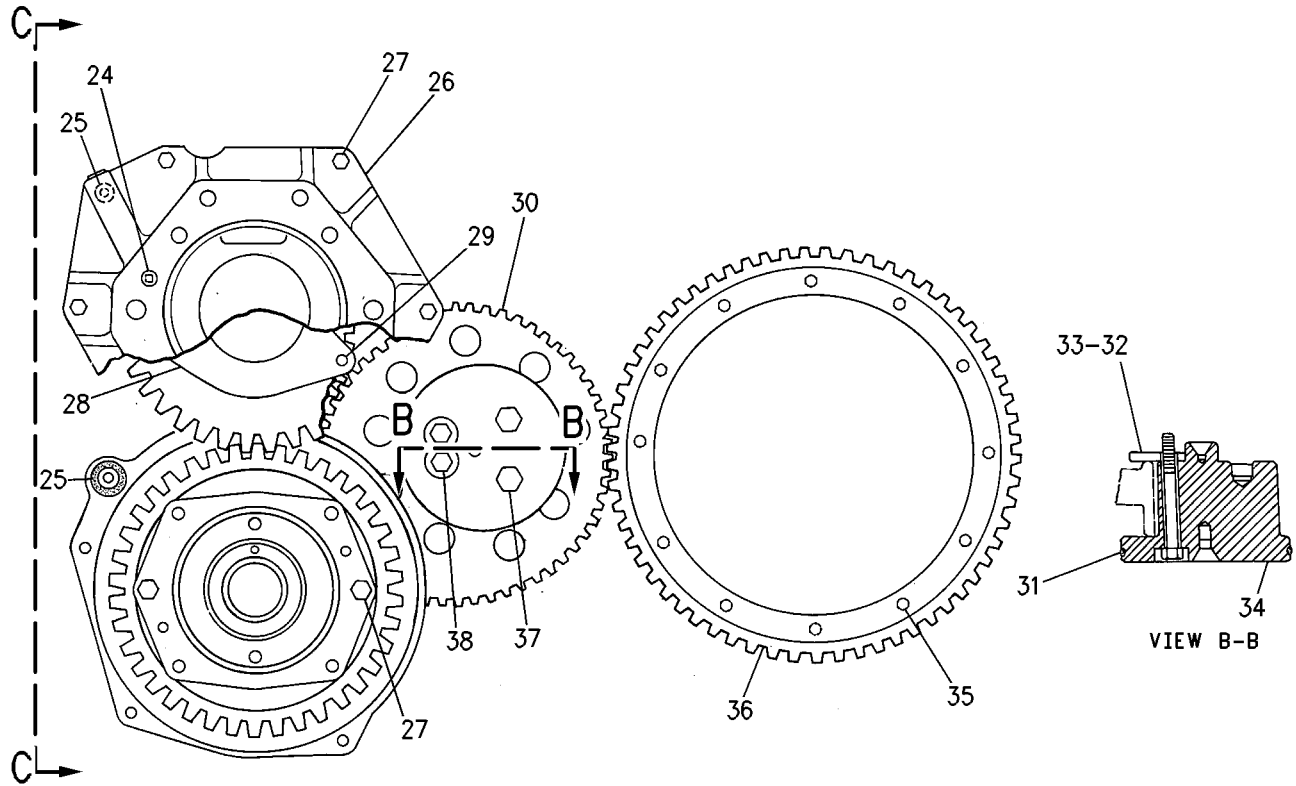
g00740526



# BASIC ENGINE

8N-5769 GEAR GP-FRONT (contd.)

i01794864



FRONT VIEW

GRAPHIC #2

<END>

g00740527

# BASIC ENGINE

## 8N-5769 GEAR GP-FRONT-RH

S/N: 66Z190-578

REVERSE ROTATION, LOW SPEED

PART OF 4W-1534 CONVERSION AR-ENGINE

AN ATTACHMENT

TYPE 2

SMCS-1151, 1162, 1206

i07053135

NOTE	REF NO	GRAPHIC REF	PART NUMBER	QTY	PART NAME						SEE PAGE
					1	2	3	4	5	6 (PRODUCT LEVEL)	
	1	1	<b>2W-2895</b>	1	GEAR-CRANKSHAFT (92-TEETH)						
	2	2	<b>2W-7320</b>	1	GEAR-ACCESSORY DRIVE (46-TEETH)						
C	3	1	<b>5R-7136</b>	2	WASHER-SEALING						
C	4	1	<b>5R-7137</b>	2	WASHER-SEALING						
C	5	1	<b>7C-3258</b>	1	WASHER AS-THRUST						
			<b>7N-2047</b>	1	DOWEL						
C	6	1	<b>7C-3259</b>	1	SHAFT						
	7	2	<b>7C-4165</b>	1	ADAPTER AS						
	7A	2	<b>127-5400</b>	1	BUSHING						
	9	2	<b>7J-8114</b>	1	GASKET						
	10	2	<b>7N-5239</b>	1	SHAFT AS-PUMP DRIVE						
		2	<b>8T-2153</b>	1	SETSCREW-SOCKET (1/4-28X0.31-IN)						
	11	2	<b>7N-5245</b>	1	ADAPTER AS-PUMP						
	11A	2	<b>127-5400</b>	1	BUSHING						
	12	1	<b>7N-5246</b>	2	WASHER-THRUST						
	13	2	<b>7N-5248</b>	1	GEAR-AUXILIARY DRIVE (63-TEETH)						
	14	2	<b>278-4287</b>	1	ADAPTER AS-PUMP						
	14A	2	<b>127-5400</b>	1	BUSHING						
	15	1	<b>7N-5279</b>	1	ADAPTER AS						
	15A	1	<b>127-5400</b>	1	BUSHING						
	16	2	<b>7N-5874</b>	1	SHAFT-AUXILIARY DRIVE (14-TEETH)						
	17	2	<b>7N-5875</b>	1	GEAR-AUXILIARY DRIVE (63-TEETH)						
	18	1	<b>7N-7539</b>	2	WASHER-THRUST						
	19	2	<b>8N-5771</b>	1	SPACER (76X121X22.5-MM THK)						
	20	2	<b>8P-1438</b>	1	COVER						
	21	1	<b>116-3242</b>	1	GEAR AS-IDLER (66-TEETH)						
	21A	1	<b>116-1365</b>	1	BUSHING						
C	22	2	<b>235-3546</b>	2	SEAL-O-RING						
	23	1	<b>259-4598</b>	3	SEAL-O-RING						
	24	1	<b>0L-1351</b>	4	BOLT (3/8-16X0.875-IN)						
	25	2	<b>0S-1590</b>	5	BOLT (3/8-16X2-IN)						
	26	1	<b>0S-1594</b>	2	BOLT (3/8-16X1-IN)						
	27	2	<b>0S-1595</b>	2	BOLT (1/2-13X1.25-IN)						
C	28	1	<b>0T-0055</b>	2	BOLT (3/8-16X4.25-IN)						
	29	1	<b>2B-2695</b>	4	BOLT (5/16-18X0.875-IN)						
	30	1	<b>3S-1307</b>	12	BOLT-12 POINT HEAD (3/8-16X2-IN)						
	31	1	<b>4B-3388</b>	4	BOLT (5/16-18X1.125-IN)						
C	32	1,2	<b>5M-2894</b>	13	WASHER-HARD (10.2X18.5X2.5-MM THK)						
C	33	1	<b>5P-0840</b>	1	SEAL-O-RING						
C	34	1,2	<b>5P-8245</b>	4	WASHER-HARD (13.5X25.5X3-MM THK)						
	35	2	<b>6K-3772</b>	24	BOLT-12 POINT HEAD (7/16-14X2.25-IN)						
C	36	1	<b>6V-3348</b>	2	SEAL-O-RING						
B	37	1	<b>8T-6757</b>	2	PLUG-PIPE						
	38	1	<b>8T-6759</b>	1	PLUG-PIPE						

# BASIC ENGINE

**8N-5769 GEAR GP-FRONT (contd.)**

**i07053135**

NOTE	REF NO	GRAPHIC REF	PART NUMBER	QTY	PART NAME						SEE PAGE
					1	2	3	4	5	6 (PRODUCT LEVEL)	
	39	1	<b>9M-1974</b>	8	WASHER-HARD (8.8X16X2-MM THK)						
C	40	1	<b>1D-4572</b>	2	BOLT (1/2-13X5.5-IN)						
	41	1,2	<b>3B-1915</b>	6	BOLT (3/8-16X1.375-IN)						

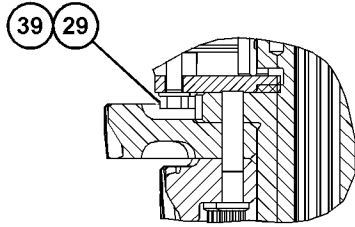
B - USE AS REQUIRED  
 C - CHANGE FROM PREVIOUS TYPE

# BASIC ENGINE

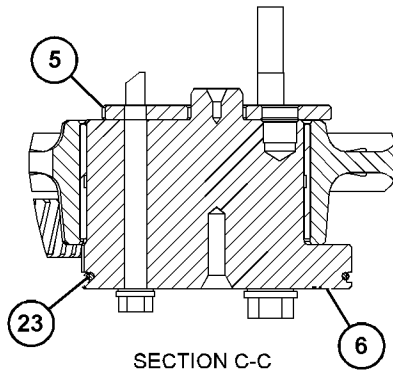
8N-5769 GEAR GP-FRONT (contd.)

107053135

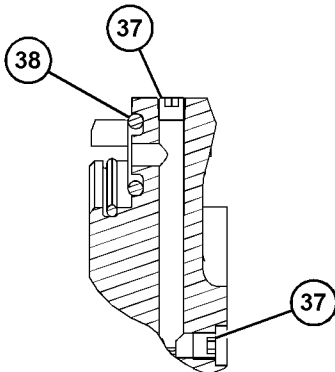
REFER TO ALL ILLUSTRATIONS OF THIS GROUP FOR AUXILIARY VIEWS



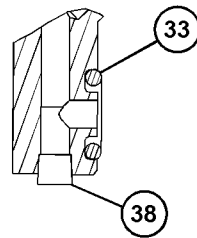
SECTION E-E



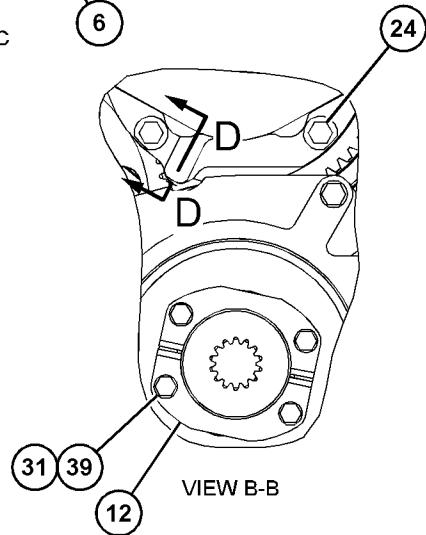
SECTION C-C



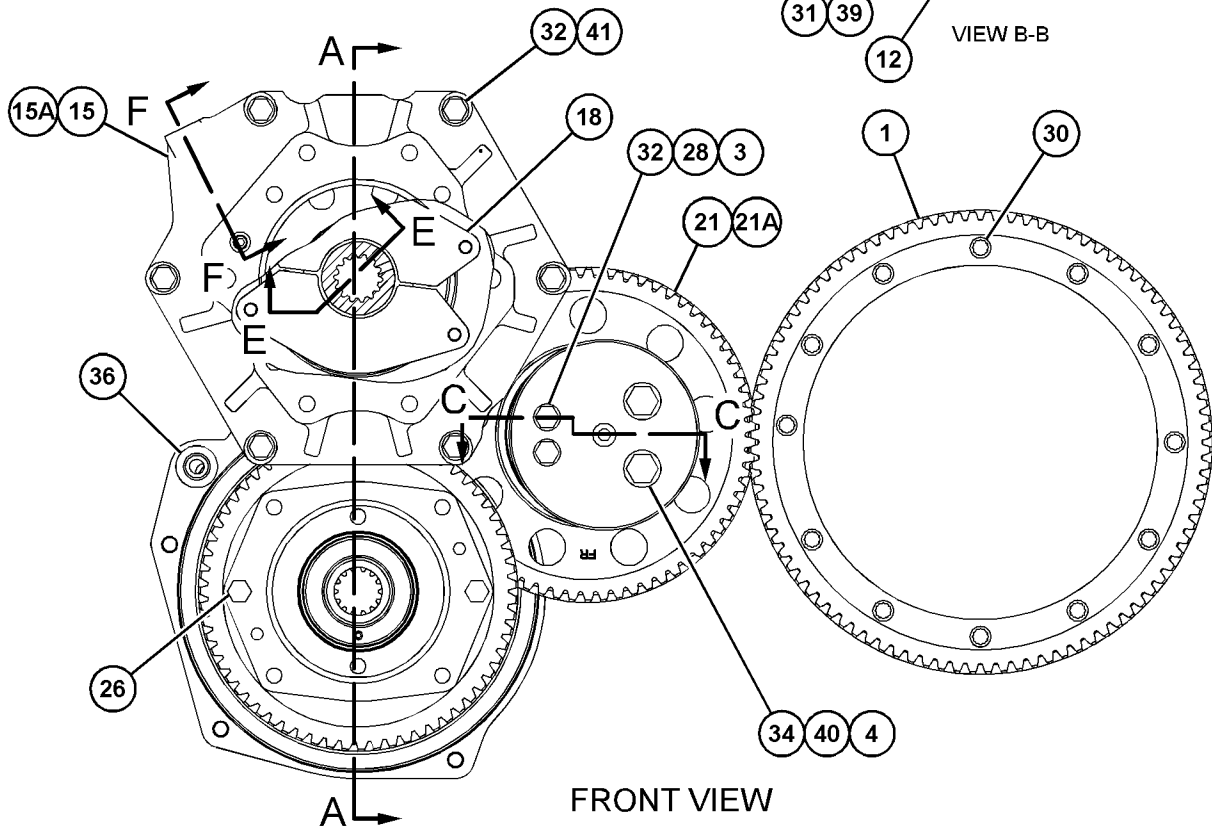
SECTION F-F



SECTION D-D



VIEW B-B



FRONT VIEW

GRAPHIC #1

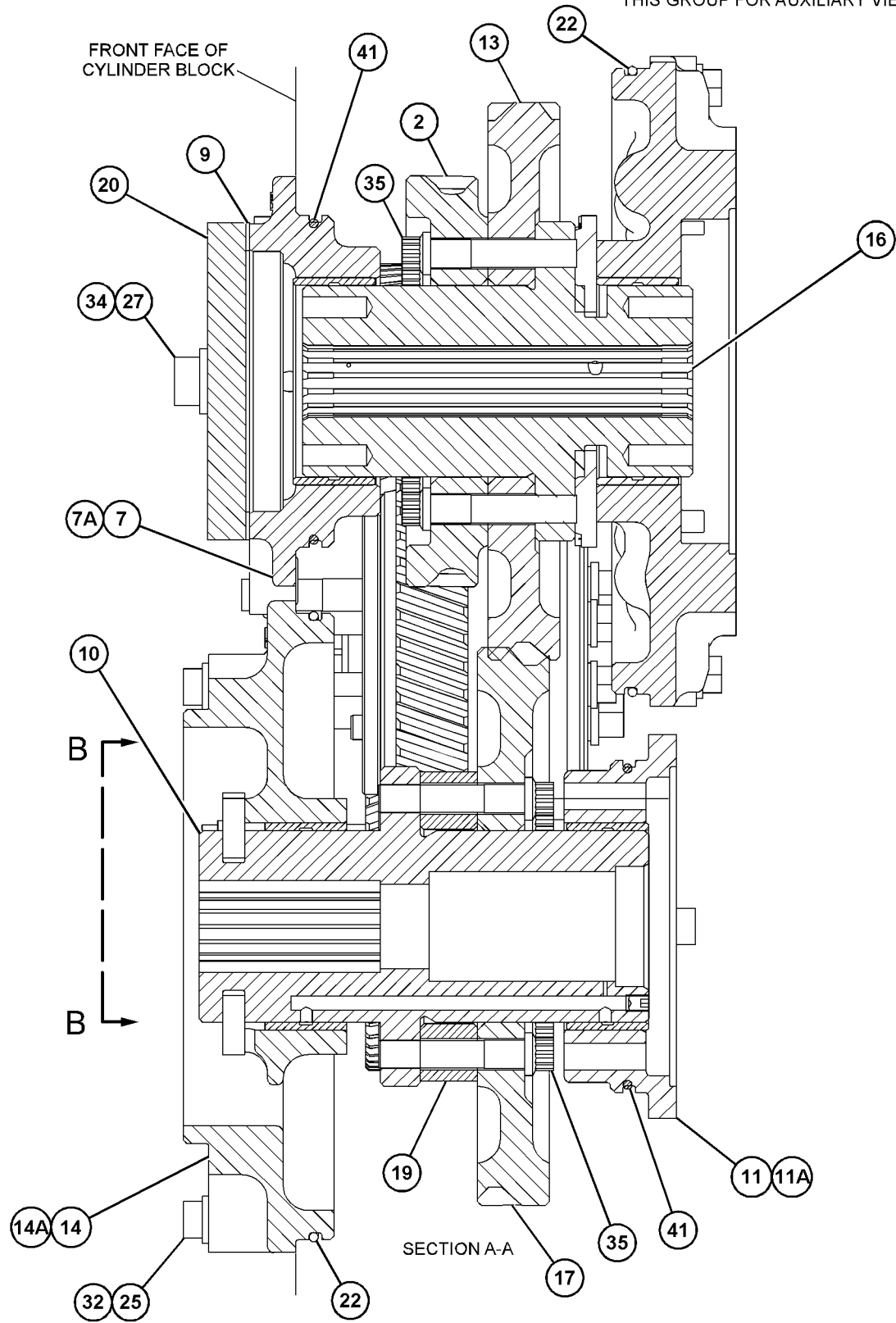
g06226586

# BASIC ENGINE

8N-5769 GEAR GP-FRONT (contd.)

107053135

REFER TO ALL ILLUSTRATIONS OF THIS GROUP FOR AUXILIARY VIEWS



GRAPHIC #2

<END>

g06226587

# BASIC ENGINE

## 8N-7174 GEAR GP-FRONT

S/N: 50Y647-703

SMCS-1151, 1162, 1206

i01328447

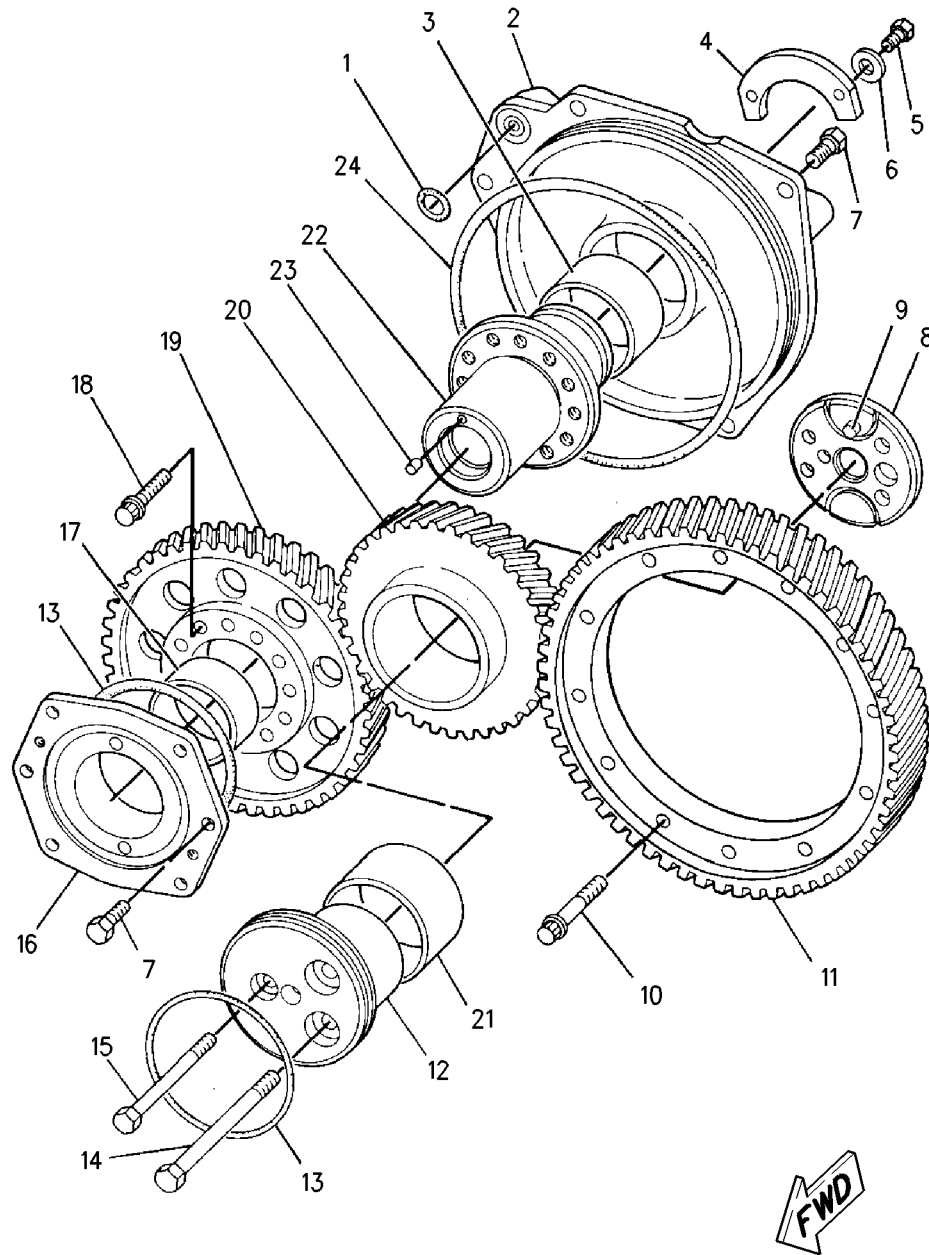
NOTE	REF NO	GRAPHIC REF	PART NUMBER	QTY	PART NAME						SEE PAGE
					1	2	3	4	5	6 (PRODUCT LEVEL)	
	1	1	<b>3B-8453</b>	1	SEAL-O-RING						
	2	1	<b>7N-5263</b>	1	ADAPTER AS-PUMP						
	3	1	<b>127-5400</b>	1	BUSHING						
	4	1	<b>7N-5246</b>	2	WASHER-THRUST						
	5	1	<b>4B-3388</b>	4	BOLT (5/16-18X1.125-IN)						
	6	1	<b>9M-1974</b>	4	WASHER-HARD (8.8X16X2-MM THK)						
	7	1	<b>0S-1594</b>	7	BOLT (3/8-16X1-IN)						
C	8	1	<b>2W-7586</b>	1	WASHER AS-THRUST						
	9	1	<b>7N-2047</b>	1	DOWEL						
	10	1	<b>3S-1307</b>	12	BOLT-12 POINT HEAD (3/8-16X2-IN)						
	11	1	<b>8N-6645</b>	1	GEAR-CRANKSHAFT (92-TEETH)						
	12	1	<b>7N-5253</b>	1	SHAFT						
	13	1	<b>8M-5255</b>	2	SEAL-O-RING						
	14	1	<b>2B-2006</b>	2	BOLT (1/2-13X4.75-IN)						
	15	1	<b>0T-0065</b>	1	BOLT (3/8-16X3.5-IN)						
	16	1	<b>7N-5245</b>	1	ADAPTER AS-PUMP						
	17	1	<b>127-5400</b>	1	BUSHING						
	18	1	<b>6K-3771</b>	12	BOLT-12 POINT HEAD (7/16-14X1.5-IN)						
	19	1	<b>7N-5250</b>	1	GEAR-PUMP DRIVE (69-TEETH)						
	20	1	<b>7N-5241</b>	1	GEAR AS-IDLER (53-TEETH)						
	21	1	<b>7N-5243</b>	1	BUSHING						
	22	1	<b>7N-5239</b>	1	SHAFT AS-PUMP DRIVE						
	23	1	<b>8T-2153</b>	1	SETSCREW-SOCKET (1/4-28X0.31-IN)						
	24	1	<b>1T-0132</b>	1	SEAL-O-RING						

C - CHANGE FROM PREVIOUS TYPE

# BASIC ENGINE

8N-7174 GEAR GP-FRONT (contd.)

101328447



GRAPHIC #1

<END>

g00704064

# BASIC ENGINE

## 8N-7174 GEAR GP-FRONT

S/N: 50Y704-1304

SMCS-1151, 1162, 1206

i02293585

NOTE	REF NO	GRAPHIC REF	PART NUMBER	QTY	PART NAME						SEE PAGE
					1	2	3	4	5	6 (PRODUCT LEVEL)	
	1	1	<b>2W-2895</b>	1	GEAR-CRANKSHAFT (92-TEETH)						
	2	1	<b>3S-1307</b>	12	BOLT-12 POINT HEAD (3/8-16X2-IN)						
C	3	1	<b>7E-0274</b>	1	GEAR AS-IDLER (53-TEETH)						
	3A	1	<b>7N-5243</b>	1	BUSHING						
	4	1	<b>7C-3260</b>	1	SHAFT						
	5	1	<b>8M-5255</b>	2	SEAL-O-RING						
	6	1	<b>7C-3258</b>	1	WASHER AS-THRUST						
	6A	1	<b>7N-2047</b>	1	DOWEL						
	7	1	<b>1D-4572</b>	2	BOLT (1/2-13X5.5-IN)						
	8	1	<b>0T-0055</b>	1	BOLT (3/8-16X4.25-IN)						
	9	1	<b>7E-0275</b>	1	GEAR-WATER PUMP DRIVE (69-TEETH)						
BC	10	1	<b>6K-3771</b>	12	BOLT-12 POINT HEAD (7/16-14X1.5-IN)						
	11	1	<b>7N-5239</b>	1	SHAFT AS-PUMP DRIVE						
	11A	1	<b>8T-2153</b>	1	SETSCREW-SOCKET (1/4-28X0.31-IN)						
	12	1	<b>7N-5263</b>	1	ADAPTER AS-PUMP (OIL)						
	12A	1	<b>127-5400</b>	1	BUSHING						
	13	1	<b>1T-0132</b>	1	SEAL-O-RING						
	14	1	<b>3B-8453</b>	1	SEAL-O-RING						
	15	1	<b>0S-1594</b>	7	BOLT (3/8-16X1-IN)						
	16	1	<b>7N-5246</b>	2	WASHER-THRUST						
	17	1	<b>4B-3388</b>	4	BOLT (5/16-18X1.125-IN)						
	18	1	<b>7N-5245</b>	1	ADAPTER AS-PUMP (WATER)						
	18A	1	<b>127-5400</b>	1	BUSHING						
	19	1	<b>9M-1974</b>	4	WASHER-HARD (8.8X16X2-MM THK)						
	20	1	<b>5P-8245</b>	2	WASHER-HARD (13.5X25.5X3-MM THK)						
	21	1	<b>5R-7137</b>	2	WASHER-SEALING						
	22	1	<b>5M-2894</b>	1	WASHER-HARD (10.2X18.5X2.5-MM THK)						
	23	1	<b>5R-7136</b>	1	WASHER-SEALING						

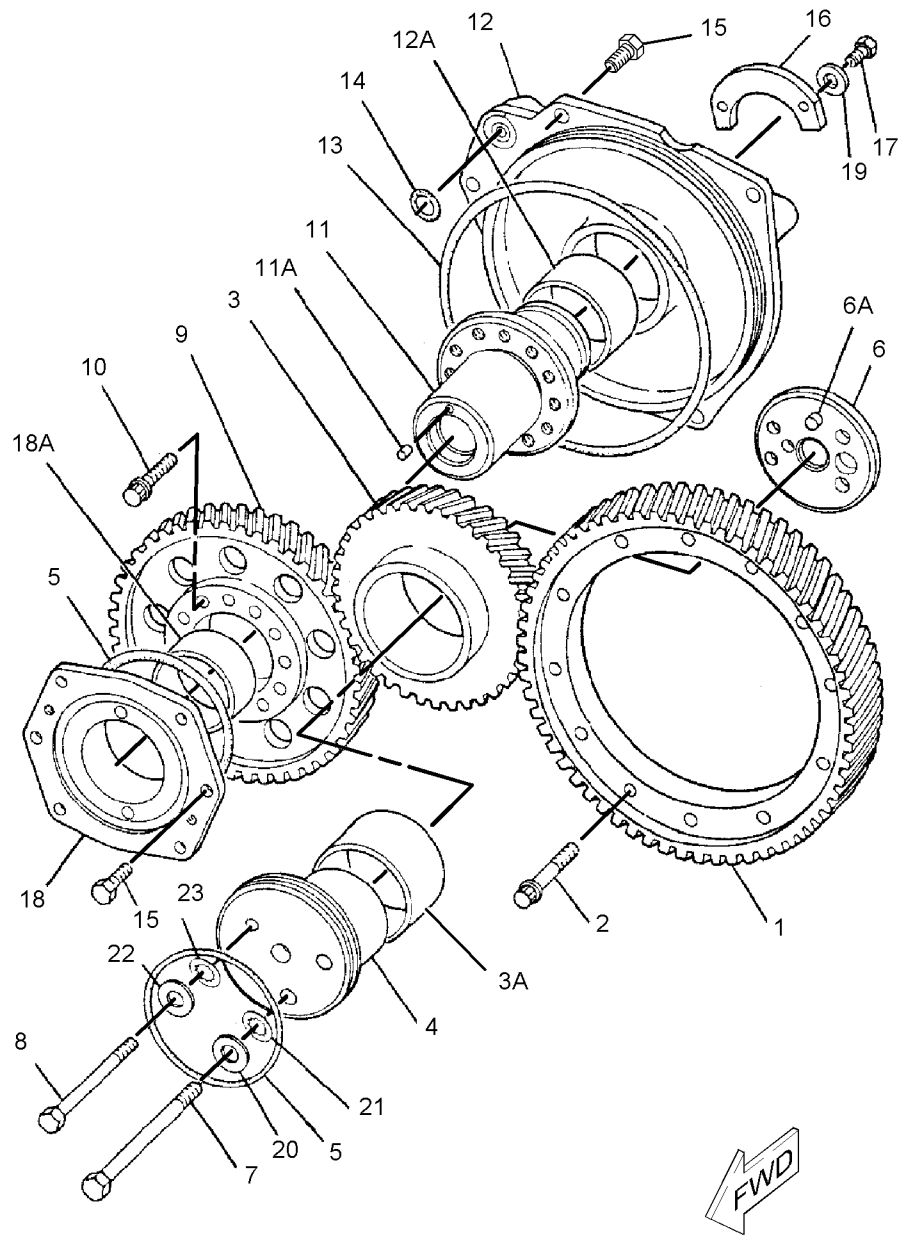
B - USE AS REQUIRED  
C - CHANGE FROM PREVIOUS TYPE



# BASIC ENGINE

8N-7174 GEAR GP-FRONT (contd.)

102293585



GRAPHIC #1

<END>

g01149425

# BASIC ENGINE

## 8N-7174 GEAR GP-FRONT

S/N: 50Y647-1304

PART OF 357-0858, 376-4849 ENGINE AR-COMPLETE

SMCS-1151, 1162, 1206

i04580771

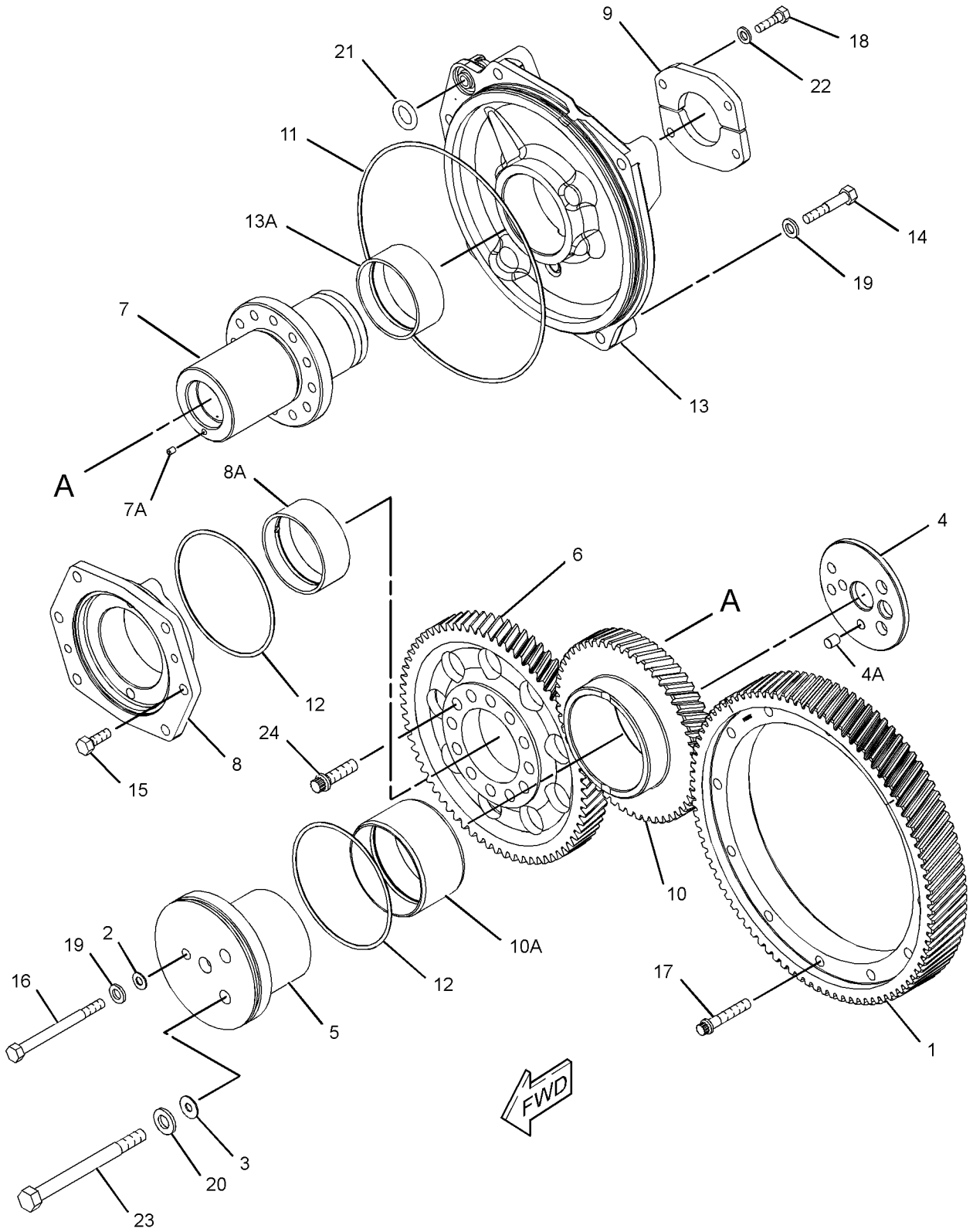
NOTE	REF NO	GRAPHIC REF	PART NUMBER	QTY	PART NAME						SEE PAGE
					1	2	3	4	5	6	
	1	1	<b>2W-2895</b>	1	GEAR-CRANKSHAFT (92-TEETH)						
	2	1	<b>5R-7136</b>	1	WASHER-SEALING						
	3	1	<b>5R-7137</b>	2	WASHER-SEALING						
	4	1	<b>7C-3258</b>	1	WASHER AS-THRUST						
	4A	1	<b>7N-2047</b>	1	DOWEL						
	5	1	<b>7C-3260</b>	1	SHAFT						
	6	1	<b>7E-0275</b>	1	GEAR-WATER PUMP DRIVE (69-TEETH)						
	7	1	<b>7N-5239</b>	1	SHAFT AS-PUMP DRIVE						
	7A	1	<b>8T-2153</b>	1	SETSCREW-SOCKET (1/4-28X0.31-IN)						
	8	1	<b>7N-5245</b>	1	ADAPTER AS-PUMP (WATER)						
	8A	1	<b>127-5400</b>	1	BUSHING						
	9	1	<b>7N-5246</b>	2	WASHER-THRUST						
C	10	1	<b>144-8263</b>	1	GEAR AS-IDLER (53-TEETH)						
	10A	1	<b>140-9597</b>	1	BUSHING						
	11	1	<b>235-3546</b>	1	SEAL-O-RING						
	12	1	<b>259-4598</b>	2	SEAL-O-RING						
	13	1	<b>278-4287</b>	1	ADAPTER AS-PUMP (OIL)						
	13A	1	<b>127-5400</b>	1	BUSHING						
	14	1	<b>0S-1590</b>	5	BOLT (3/8-16X2-IN)						
	15	1	<b>0S-1594</b>	2	BOLT (3/8-16X1-IN)						
	16	1	<b>0T-0055</b>	1	BOLT (3/8-16X4.25-IN)						
	17	1	<b>3S-1307</b>	12	BOLT-12 POINT HEAD (3/8-16X2-IN)						
	18	1	<b>4B-3388</b>	4	BOLT (5/16-18X1.125-IN)						
	19	1	<b>5M-2894</b>	6	WASHER-HARD (10.2X18.5X2.5-MM THK)						
	20	1	<b>5P-8245</b>	2	WASHER-HARD (13.5X25.5X3-MM THK)						
	21	1	<b>6V-3348</b>	1	SEAL-O-RING						
	22	1	<b>9M-1974</b>	4	WASHER-HARD (8.8X16X2-MM THK)						
	23	1	<b>9X-8879</b>	2	BOLT (1/2-13X5.5-IN)						
BC	24	1	<b>6K-3771</b>	12	BOLT-12 POINT HEAD (7/16-14X1.5-IN)						

B - USE AS REQUIRED  
 C - CHANGE FROM PREVIOUS TYPE

# BASIC ENGINE

8N-7174 GEAR GP-FRONT (contd.)

i04580771



GRAPHIC #1

<END>

g02507378

# BASIC ENGINE

## 124-8395 GEAR GP-REAR-CAMSHAFT DRIVE

S/N: 50Y647-1304

PART OF 357-0858, 376-4849 ENGINE AR-COMPLETE

SMCS-1204

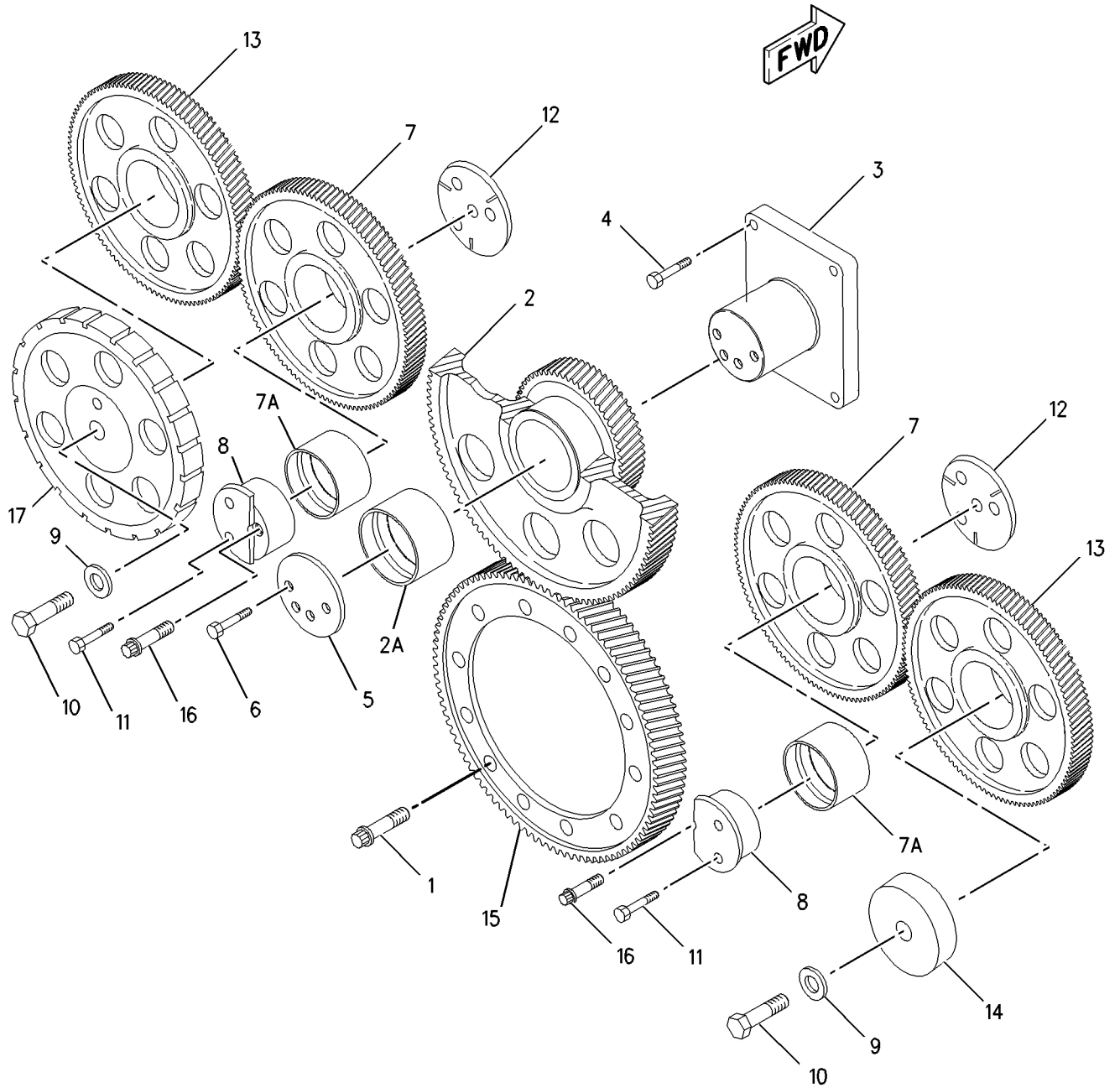
i01546653

NOTE	REF NO	GRAPHIC REF	PART NUMBER	QTY	PART NAME						SEE PAGE
					1	2	3	4	5	6 (PRODUCT LEVEL)	
	1	1	<b>3S-1307</b>	12	BOLT-12 POINT HEAD (3/8-16X2-IN)						
	2	1	<b>114-3372</b>	1	GEAR AS-CLUSTER (92/35-TEETH)						
	2A	1	<b>101-1372</b>	1	BUSHING						
	3	1	<b>101-1366</b>	1	SHAFT-GEAR (CLUSTER)						
	4	1	<b>8M-2530</b>	4	BOLT-12 POINT HEAD (1/2-13X1.25-IN)						
	5	1	<b>101-1365</b>	1	PLATE-THRUST						
	6	1	<b>0L-1351</b>	4	BOLT (3/8-16X0.875-IN)						
	7	1	<b>101-1364</b>	2	GEAR AS-IDLER (69-TEETH)						
					(EACH INCLUDES)						
	7A	1	<b>125-9751</b>	1	BUSHING						
	8	1	<b>101-1367</b>	2	SHAFT-IDLER						
	9	1	<b>5P-8248</b>	2	WASHER-HARD (20X36.5X3.5-MM THK)						
	10	1	<b>9X-8887</b>	2	BOLT (3/4-10X3-IN)						
	11	1	<b>1B-4367</b>	4	BOLT (5/8-11X3-IN)						
	12	1	<b>101-1368</b>	2	WASHER-THRUST (19.5X106X1.9-MM THK)						
	13	1	<b>101-1369</b>	2	GEAR-CAMSHAFT DRIVE (70-TEETH)						
	14	1	<b>4W-4586</b>	1	PLATE						
	15	1	<b>101-1370</b>	1	GEAR-CRANKSHAFT (92-TEETH)						
	16	1	<b>8S-2331</b>	2	BOLT-12 POINT HEAD (5/8-11X2-IN)						
	17	1	<b>7E-5324</b>	1	RING						

# BASIC ENGINE

124-8395 GEAR GP-REAR (contd.)

101546653



GRAPHIC #1

<END>

g00663140

# BASIC ENGINE

## 4W-5552 GEAR GP-REAR

S/N: 50Y647; 66Z190-206

CAM DRIVE

SMCS-1204

i01236514

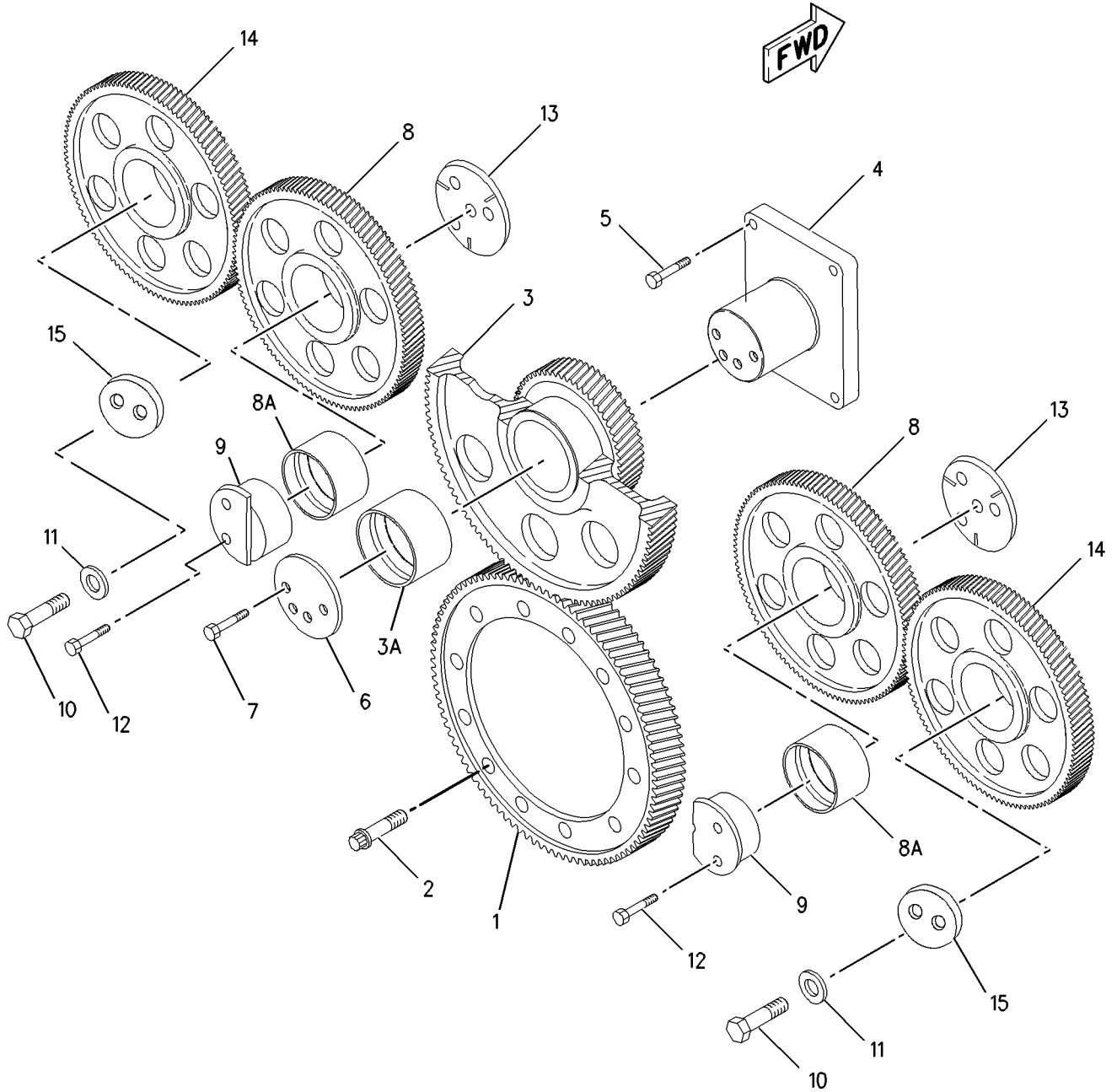
NOTE	REF NO	GRAPHIC REF	PART NUMBER	QTY	PART NAME						SEE PAGE
					1	2	3	4	5	6 (PRODUCT LEVEL)	
C	1	1	<b>2W-2895</b>	1	GEAR-CRANKSHAFT (92-TEETH)						
	2	1	<b>3S-1307</b>	12	BOLT-12 POINT HEAD (3/8-16X2-IN)						
	3	1	<b>7N-6982</b>	1	GEAR AS-IDLER (92, 44-TEETH) (CLUSTER)						
	3A	1	<b>7N-6983</b>	1	BUSHING						
C	4	1	<b>4W-4998</b>	1	SHAFT-GEAR						
	5	1	<b>0S-1595</b>	4	BOLT (1/2-13X1.25-IN)						
	6	1	<b>7N-5254</b>	1	PLATE-THRUST						
	7	1	<b>0L-1351</b>	4	BOLT (3/8-16X0.875-IN)						
	8	1	<b>7N-5257</b>	2	GEAR AS (88-TEETH) (CAMSHAFT IDLER)						
					(EACH INCLUDES)						
	8A	1	<b>125-9750</b>	1	BUSHING						
	9	1	<b>1N-4054</b>	2	SHAFT-IDLER						
	10	1	<b>2B-0947</b>	4	BOLT (1/2-13X2.25-IN)						
	11	1	<b>5P-8245</b>	4	WASHER-HARD (13.5X25.5X3-MM THK)						
	12	1	<b>1A-5822</b>	4	BOLT (1/2-13X2.75-IN)						
	13	1	<b>1N-3986</b>	2	WASHER-THRUST						
	14	1	<b>7E-3897</b>	2	GEAR-CAMSHAFT DRIVE (88-TEETH)						
	15	1	<b>7N-5259</b>	2	PLATE						

C - CHANGE FROM PREVIOUS TYPE

# BASIC ENGINE

4W-5552 GEAR GP-REAR (contd.)

101236514



GRAPHIC #1

<END>

g00661007

# BASIC ENGINE

## 4W-5906 GEAR GP-REAR

S/N: 50Y647-947; 66Z190-433

CAM DRIVE

SMCS-1204

i01570453

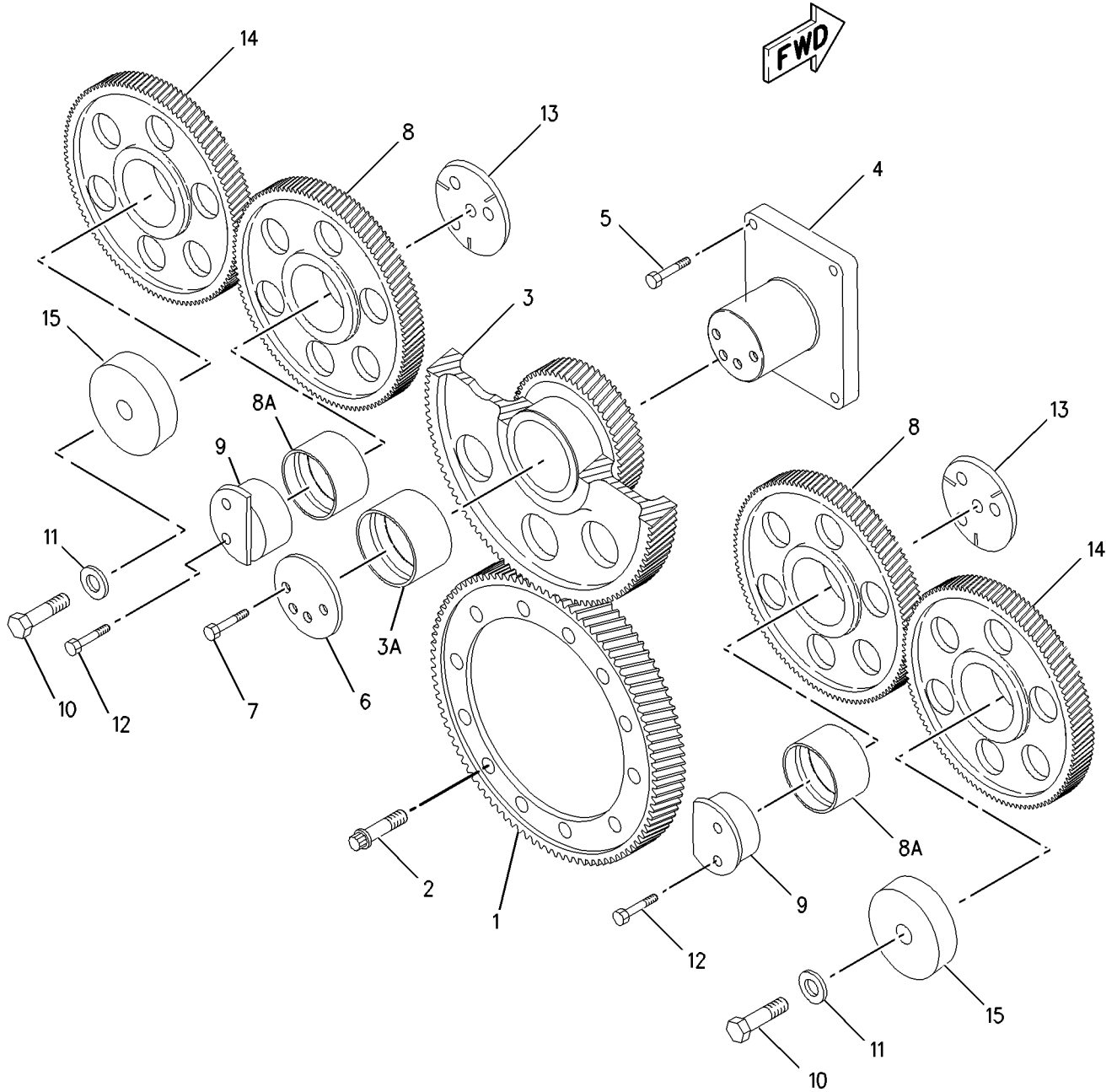
NOTE	REF NO	GRAPHIC REF	PART NUMBER	QTY	PART NAME						SEE PAGE
					1	2	3	4	5	6 (PRODUCT LEVEL)	
	1	1	<b>2W-2895</b>	1	GEAR-CRANKSHAFT (92-TEETH)						
	2	1	<b>3S-1307</b>	12	BOLT-12 POINT HEAD (3/8-16X2-IN)						
	3	1	<b>7E-8779</b>	1	GEAR AS-IDLER (92, 44-TEETH) (CLUSTER)						
	3A	1	<b>7N-6983</b>	1	BUSHING						
	4	1	<b>4W-4998</b>	1	SHAFT-GEAR						
	5	1	<b>8M-2530</b>	4	BOLT-12 POINT HEAD (1/2-13X1.25-IN)						
	6	1	<b>7N-5254</b>	1	PLATE-THRUST						
	7	1	<b>0L-1351</b>	4	BOLT (3/8-16X0.875-IN)						
	8	1	<b>7E-3894</b>	2	GEAR AS-IDLER (88-TEETH)						
					(EACH INCLUDES)						
	8A	1	<b>125-9750</b>	1	BUSHING						
	9	1	<b>1N-4054</b>	2	SHAFT-IDLER						
	10	1	<b>1D-4609</b>	2	BOLT (3/4-10X3-IN)						
	11	1	<b>5P-8248</b>	2	WASHER-HARD (20X36.5X3.5-MM THK)						
	12	1	<b>1A-5822</b>	4	BOLT (1/2-13X2.75-IN)						
	13	1	<b>1N-3986</b>	2	WASHER-THRUST						
	14	1	<b>7E-3897</b>	2	GEAR-CAMSHAFT DRIVE (88-TEETH)						
	15	1	<b>4W-4586</b>	2	PLATE						



# BASIC ENGINE

4W-5906 GEAR GP-REAR (contd.)

101570453



GRAPHIC #1

<END>

g00661174

# BASIC ENGINE

## 4W-5906 GEAR GP-REAR

S/N: 50Y948-1304; 66Z434-578

CAM DRIVE

SMCS-1204

i03629763

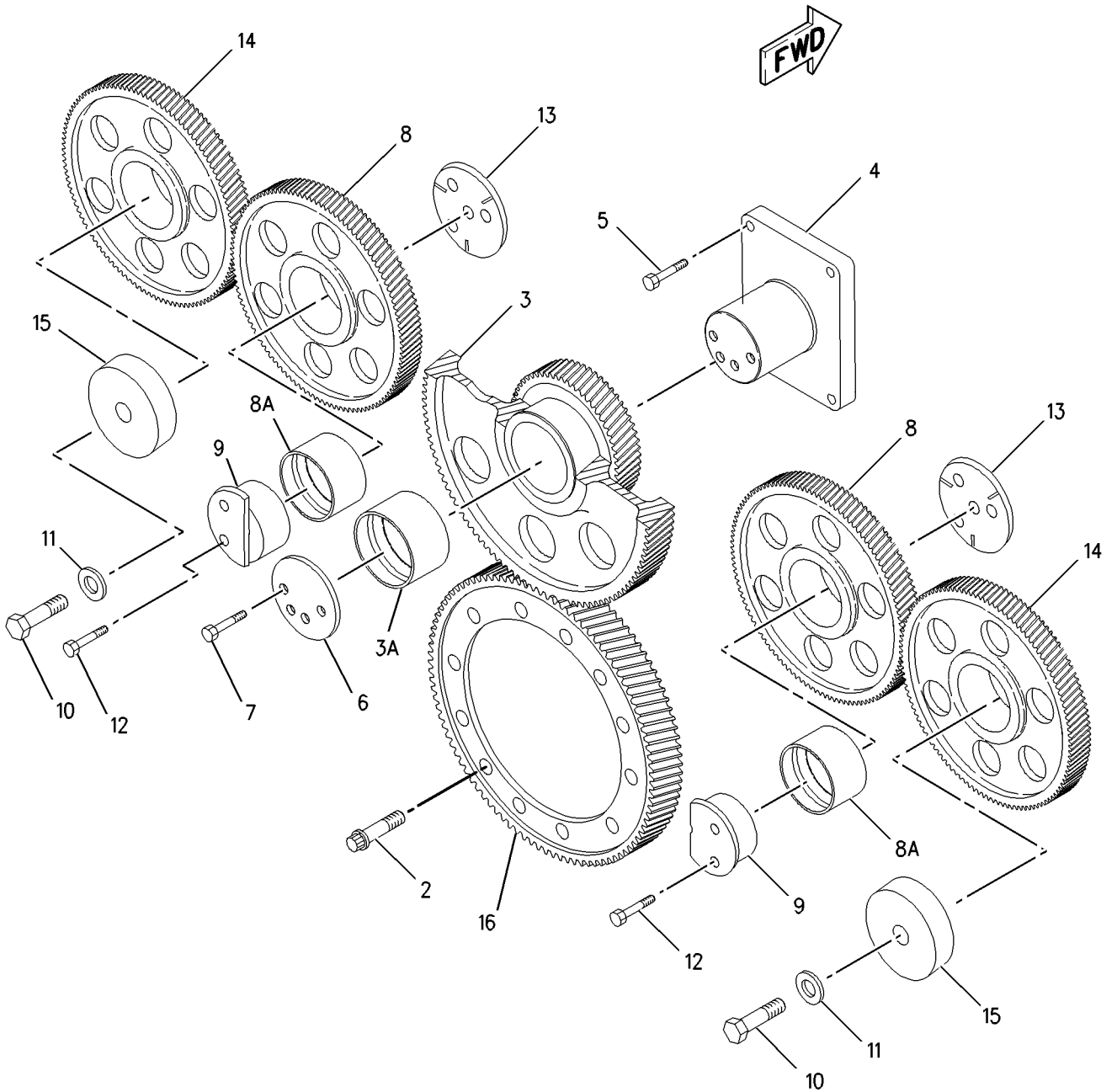
NOTE	REF NO	GRAPHIC REF	PART NUMBER	QTY	PART NAME						SEE PAGE
					1	2	3	4	5	6 (PRODUCT LEVEL)	
	2	1	<b>3S-1307</b>	12	BOLT-12 POINT HEAD (3/8-16X2-IN)						
C	3	1	<b>107-2477</b>	1	GEAR AS-IDLER (92/44-TEETH)						
C	3A	1	<b>4P-5438</b>	1	BUSHING						
C	4	1	<b>4P-5437</b>	1	SHAFT-GEAR (CLUSTER)						
	5	1	<b>8M-2530</b>	4	BOLT-12 POINT HEAD (1/2-13X1.25-IN)						
	6	1	<b>7N-5254</b>	1	PLATE-THRUST						
	7	1	<b>0L-1351</b>	4	BOLT (3/8-16X0.875-IN)						
C	8	1	<b>4P-5440</b>	2	GEAR AS-IDLER (88-TEETH) (CAMSHAFT)						
					(EACH INCLUDES)						
C	8A	1	<b>125-9750</b>	1	BUSHING						
C	9	1	<b>4P-5090</b>	2	SHAFT-IDLER						
	10	1	<b>1D-4609</b>	2	BOLT (3/4-10X3-IN)						
	11	1	<b>5P-8248</b>	2	WASHER-HARD (20X36.5X3.5-MM THK)						
C	12	1	<b>1B-4367</b>	4	BOLT (5/8-11X3-IN)						
C	13	1	<b>4P-5091</b>	2	WASHER-THRUST						
	14	1	<b>7E-3897</b>	2	GEAR-CAMSHAFT DRIVE (88-TEETH)						
	15	1	<b>4W-4586</b>	2	PLATE						
	16	1	<b>2W-2895</b>	1	GEAR-CRANKSHAFT (92-TEETH)						

C - CHANGE FROM PREVIOUS TYPE

# BASIC ENGINE

4W-5906 GEAR GP-REAR (contd.)

103629763



GRAPHIC #1

<END>

g00660984

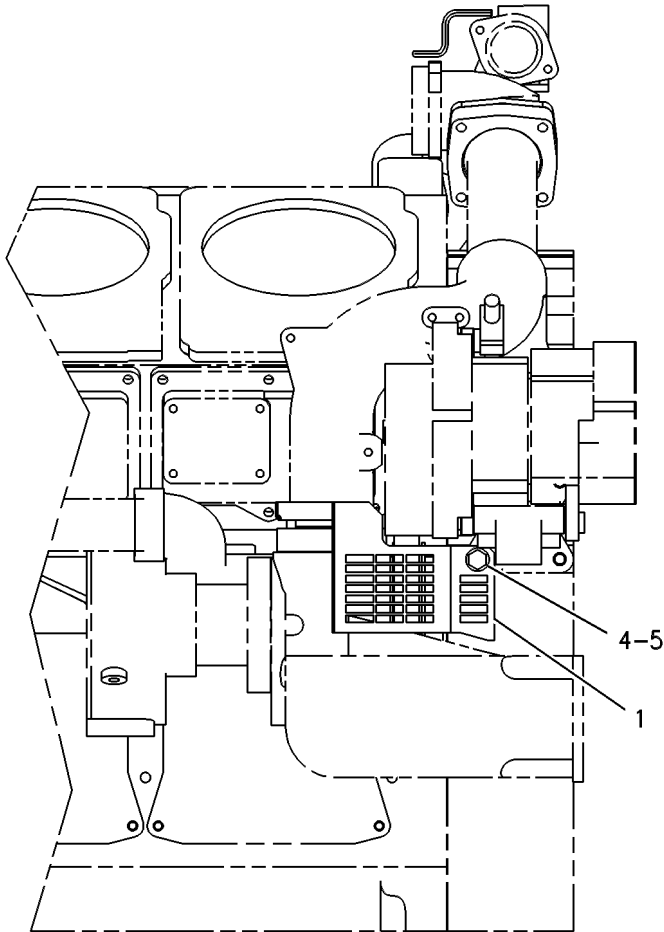
# BASIC ENGINE

## 151-9228 GUARD GP-BELT-ALTERNATOR S/N: 50Y647-1304 AN ATTACHMENT

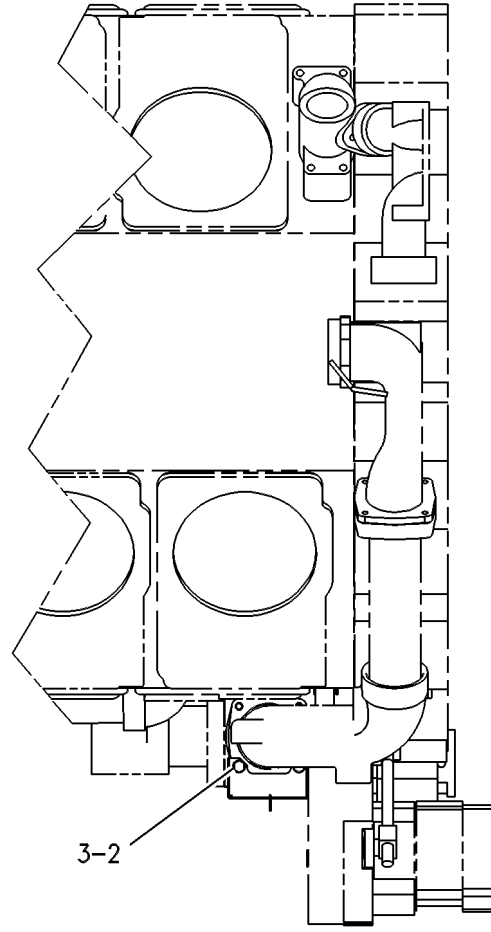
SMCS-7174

i06692033

NOTE	REF NO	GRAPHIC REF	PART NUMBER	QTY	PART NAME						SEE PAGE
					1	2	3	4	5	6 (PRODUCT LEVEL)	
	1	1	<b>171-1359</b>	1	GUARD AS-BELT (ALTERNATOR AIR)						
	2	1	<b>8T-2501</b>	2	BOLT (3/8-16X2-IN)						
	3	1	<b>8T-4896</b>	2	WASHER-HARD (10.2X18.5X2.5-MM THK)						
	4	1	<b>5P-2566</b>	1	BOLT (1/2-13X1.5-IN)						
	5	1	<b>8T-4223</b>	1	WASHER-HARD (13.5X25.5X3-MM THK)						



RIGHT SIDE VIEW



TOP VIEW

GRAPHIC #1

<END>

g00333482

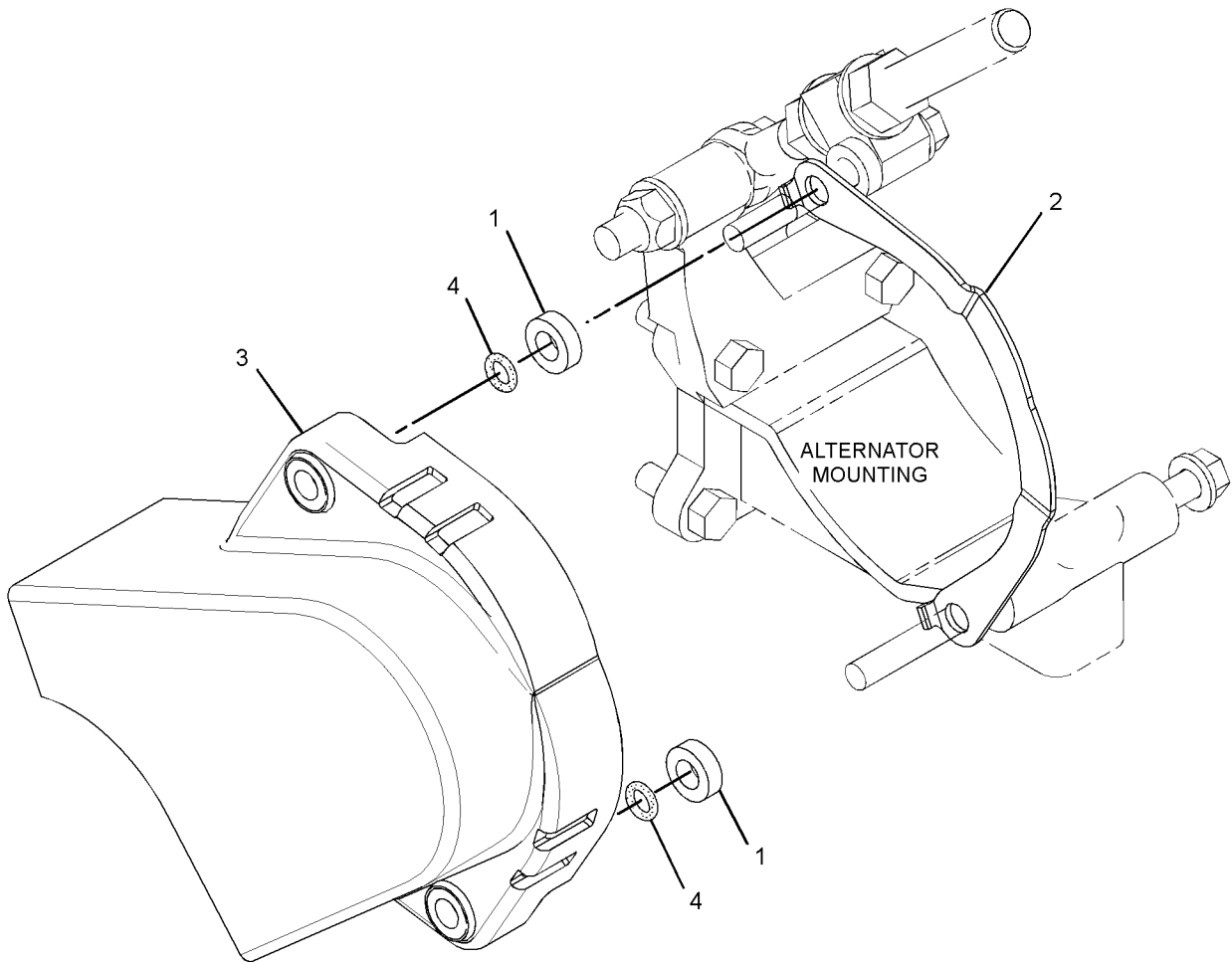
# BASIC ENGINE

## 271-9270 GUARD GP-BELT-ALTERNATOR S/N: 50Y647-1304 AN ATTACHMENT

SMCS-7174

i03888721

NOTE	REF NO	GRAPHIC REF	PART NUMBER	QTY	PART NAME						SEE PAGE
					1	2	3	4	5	6 (PRODUCT LEVEL)	
	1	1	<b>7N-2597</b>	2	SPACER (13.5X25.4X8.08-MM THK)						
	2	1	<b>268-5727</b>	1	PLATE AS						
	3	1	<b>288-6174</b>	1	GUARD AS-ALTERNATOR						
	4	1	<b>119-9443</b>	2	SEAL -O-RING						



GRAPHIC #1

<END>

g02138855

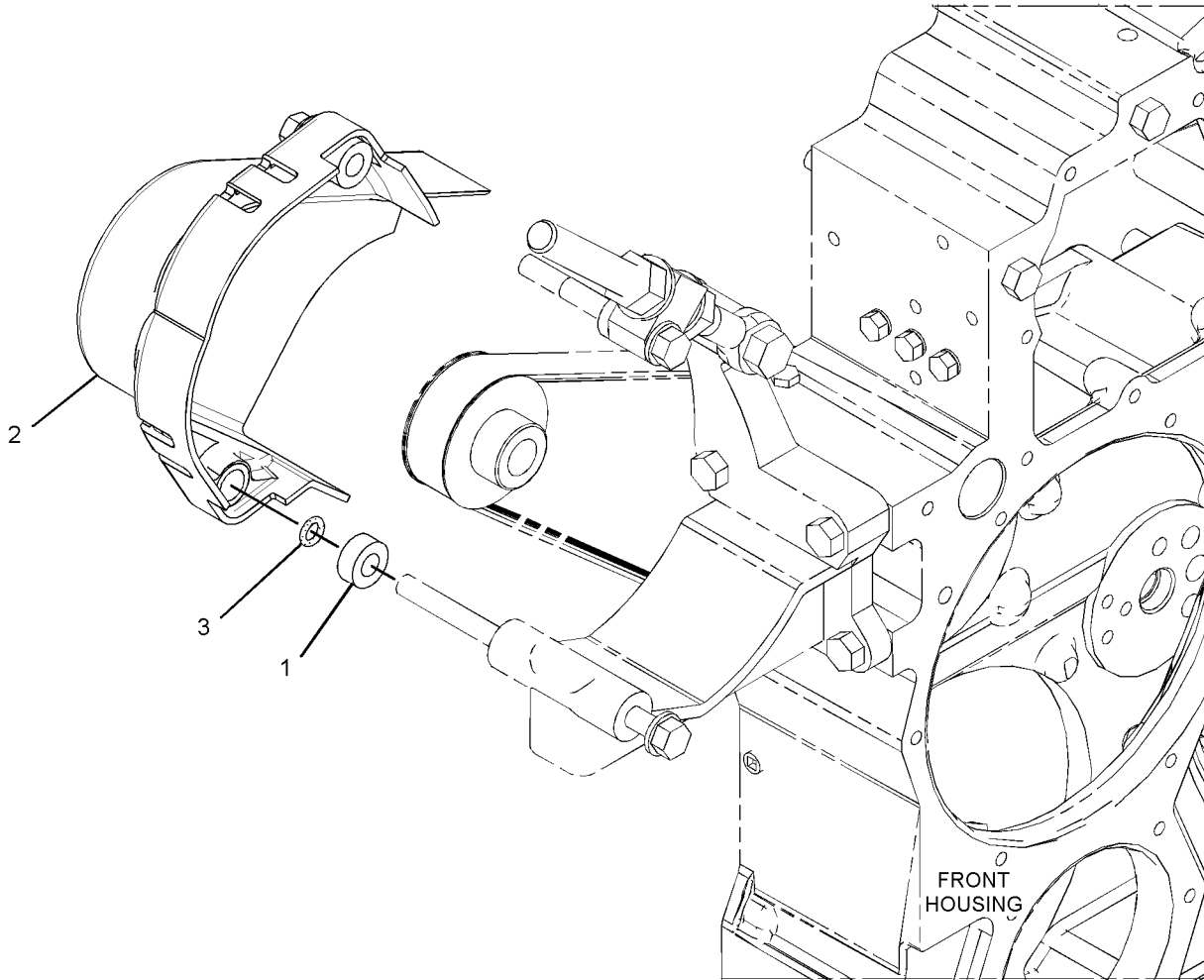
# BASIC ENGINE

## 7W-5780 GUARD GP-BELT-ALTERNATOR AN ATTACHMENT

SMCS-7174

i03902260

NOTE	REF NO	GRAPHIC REF	PART NUMBER	QTY	PART NAME						SEE PAGE
					1	2	3	4	5	6 (PRODUCT LEVEL)	
	1	1	<b>9V-4924</b>	2	SPACER (13.8X28X11.5-MM THK)						
	2	1	<b>288-6174</b>	1	GUARD AS-ALTERNATOR						
	3	1	<b>119-9443</b>	2	SEAL-O-RING						



GRAPHIC #1

<END>

g02146113

# BASIC ENGINE

## 7W-5780 GUARD GP-BELT-ALTERNATOR

S/N: 66Z190-578

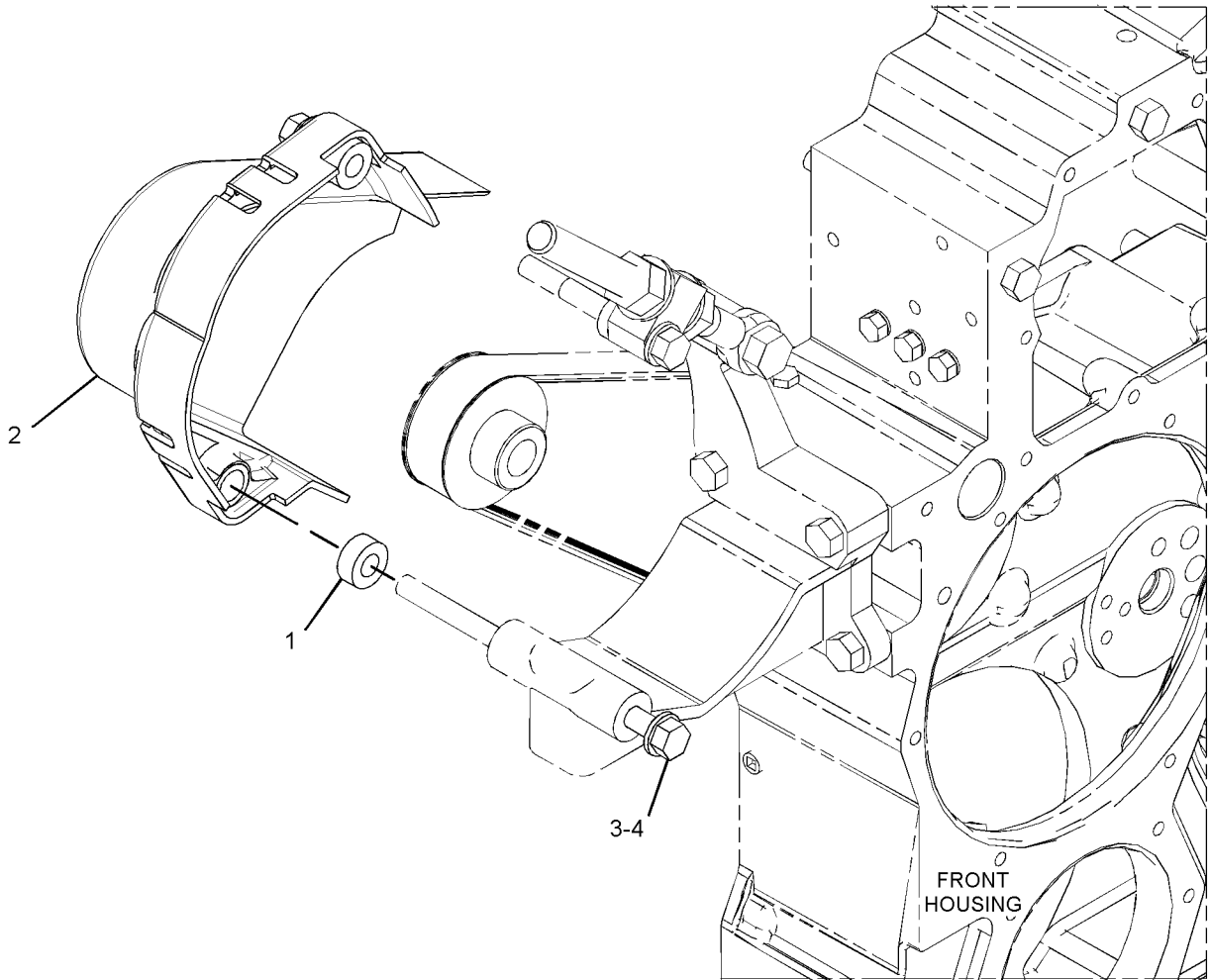
AN ATTACHMENT

SMCS-7174

i07171623

NOTE	REF NO	GRAPHIC REF	PART NUMBER	QTY	PART NAME						SEE PAGE
					1	2	3	4	5	6 (PRODUCT LEVEL)	
	1	1	<b>9V-4924</b>	2	SPACER (13.8X28X11.5-MM THK)						
C	2	1	<b>501-6696</b>	1	GUARD AS-ALTERNATOR						
C	3	1	<b>5P-8245</b>	2	WASHER-HARD (13.5X25.5X3-MM THK)						
C	4	1	<b>1F-7958</b>	2	NUT-FULL (1/2-13-THD)						

C - CHANGE FROM PREVIOUS TYPE



GRAPHIC #1

<END>

g03349395

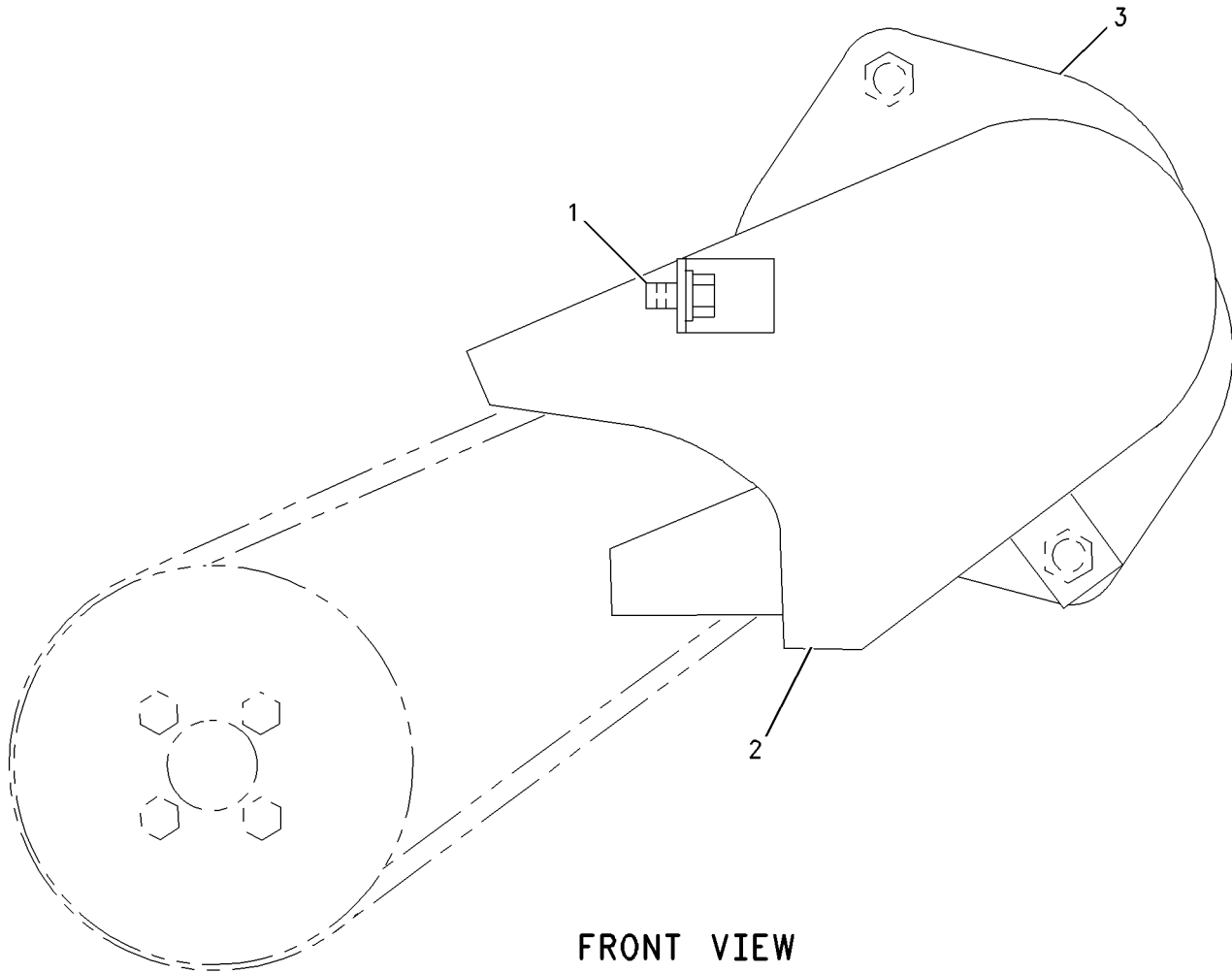
# BASIC ENGINE

## 8N-3581 GUARD GP-BELT-ALTERNATOR AN ATTACHMENT

SMCS-7174

i01340201

NOTE	REF NO	GRAPHIC REF	PART NUMBER	QTY	PART NAME						SEE PAGE
					1	2	3	4	5	6 (PRODUCT LEVEL)	
	1	1	<b>0S-0509</b>	1	BOLT (3/8-16X0.75-IN)						
		1	<b>5M-2894</b>	1	WASHER-HARD (10.2X18.5X2.5-MM THK)						
	2	1	<b>2W-2120</b>	1	GUARD AS-BELT						
	3	1	<b>2W-2117</b>	1	GUARD AS-ALTERNATOR						



**FRONT VIEW**

GRAPHIC #1

<END>

g00708760



# BASIC ENGINE

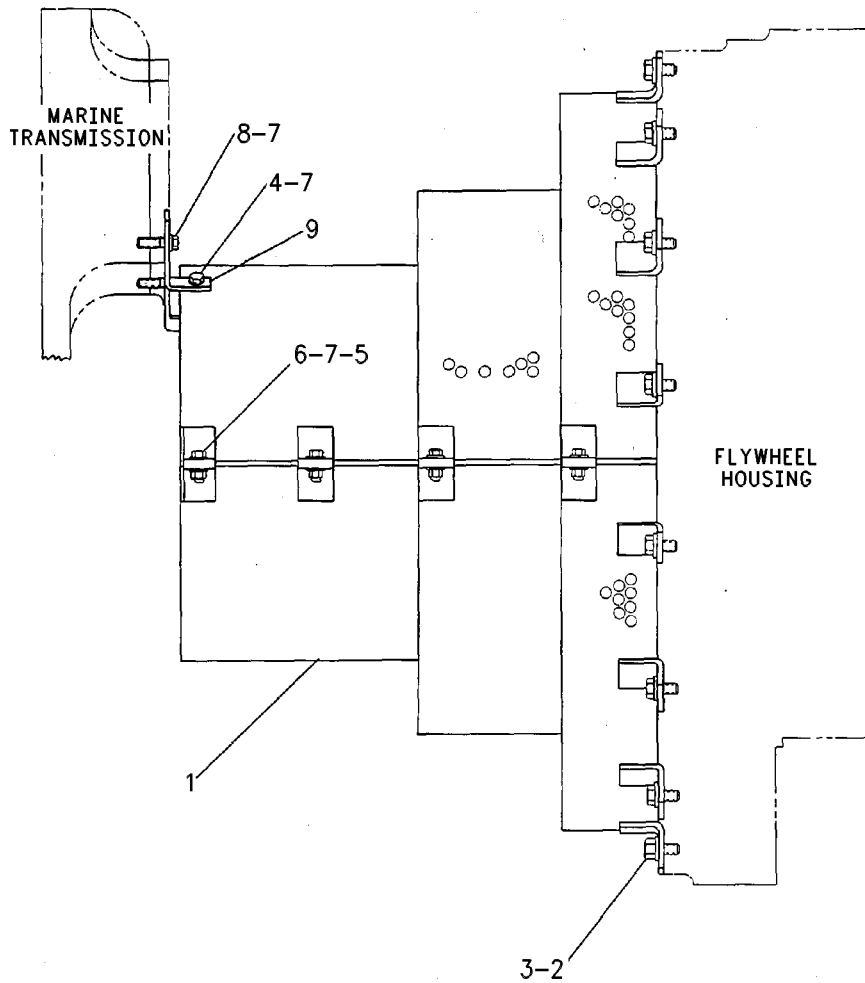
## 2W-4856 GUARD GP-COUPLING

PART OF 2W-6514, 2W-6943, 4W-0756, 4W-0757 COUPLING GP-FLEXIBLE  
AN ATTACHMENT

SMCS-3279

i00942279

NOTE	REF NO	GRAPHIC REF	PART NUMBER	QTY	PART NAME						SEE PAGE
					1	2	3	4	5	6 (PRODUCT LEVEL)	
	1	1	<b>2W-4855</b>	2	GUARD AS						
	2	1	<b>0S-1621</b>	16	BOLT (1/2-13X1-IN)						
	3	1	<b>5P-8245</b>	16	WASHER-HARD (13.5X25.5X3-MM THK)						
	4	1	<b>0T-0102</b>	2	BOLT (3/8-16X0.625-IN)						
	5	1	<b>1D-4717</b>	8	NUT (3/8-16-THD)						
	6	1	<b>0S-1594</b>	8	BOLT (3/8-16X1-IN)						
	7	1	<b>5M-2894</b>	20	WASHER-HARD (10.2X18.5X2.5-MM THK)						
	8	1	<b>3B-1915</b>	2	BOLT (3/8-16X1.375-IN)						
	9	1	<b>3N-1551</b>	2	BRACKET						



GRAPHIC #1

<END>

g00518671

# BASIC ENGINE

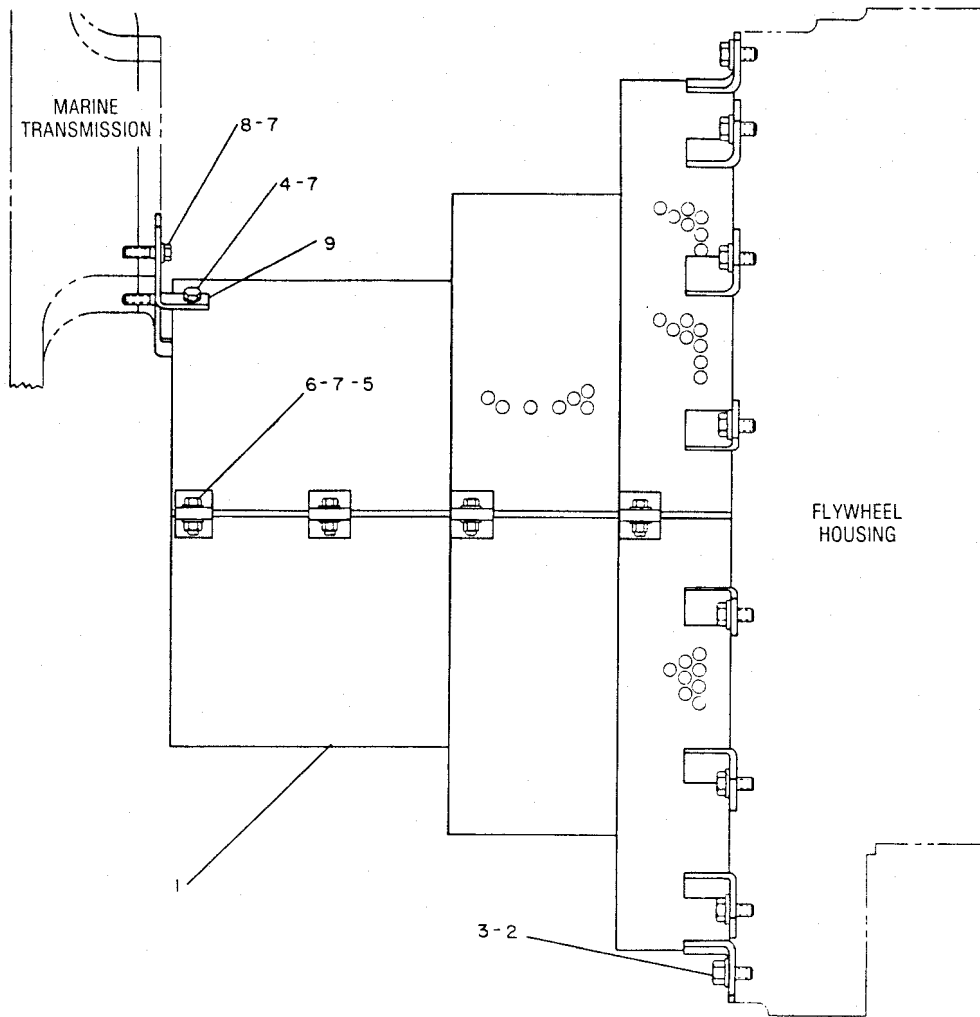
## 7W-8105 GUARD GP-COUPLING

PART OF 2W-6514, 2W-6943, 4W-0756, 4W-0757 COUPLING GP-FLEXIBLE  
AN ATTACHMENT

SMCS-3279

i00940908

NOTE	REF NO	GRAPHIC REF	PART NUMBER	QTY	PART NAME						SEE PAGE
					1	2	3	4	5	6 (PRODUCT LEVEL)	
	1	1	<b>7W-7472</b>	2	GUARD AS						
	2	1	<b>0S-1621</b>	16	BOLT (1/2-13X1-IN)						
	3	1	<b>5P-8245</b>	16	WASHER-HARD (13.5X25.5X3-MM THK)						
	4	1	<b>0T-0102</b>	2	BOLT (3/8-16X0.625-IN)						
	5	1	<b>9S-8752</b>	8	NUT-FULL (3/8-16-THD)						
	6	1	<b>0S-1594</b>	8	BOLT (3/8-16X1-IN)						
	7	1	<b>5M-2894</b>	20	WASHER-HARD (10.2X18.5X2.5-MM THK)						
	8	1	<b>3B-1915</b>	2	BOLT (3/8-16X1.375-IN)						
	9	1	<b>3N-1551</b>	2	BRACKET						



GRAPHIC #1

<END>

g00184646

# BASIC ENGINE

## 6I-3143 GUARD GP-DAMPER

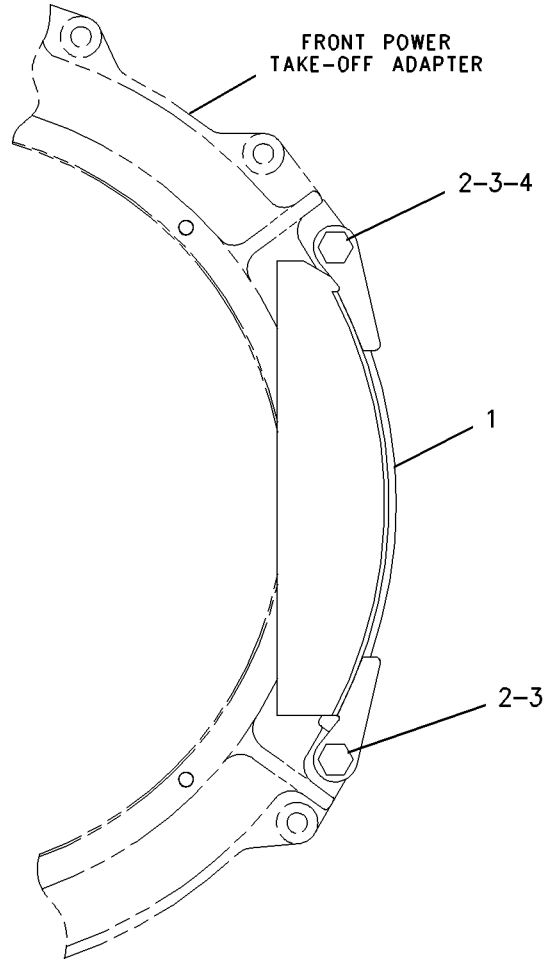
S/N: 66Z190-578

**FOR USE WITH SINGLE SIDED FRONT HOUSING AND FRONT POWER TAKE-OFF AN ATTACHMENT**

**SMCS-1205**

**i01337552**

NOTE	REF NO	GRAPHIC REF	PART NUMBER	QTY	PART NAME						SEE PAGE
					1	2	3	4	5	6 (PRODUCT LEVEL)	
	1	1	<b>6I-3142</b>	1	GUARD AS-DAMPER						
	2	1	<b>0S-1587</b>	2	BOLT (1/2-13X1.75-IN)						
	3	1	<b>5P-8245</b>	3	WASHER-HARD (13.5X25.5X3-MM THK)						
	4	1	<b>1F-7958</b>	1	NUT-FULL (1/2-13-THD)						



**FRONT VIEW**

GRAPHIC #1

<END>

g00707353

# BASIC ENGINE

## 8N-9639 GUARD GP-DAMPER

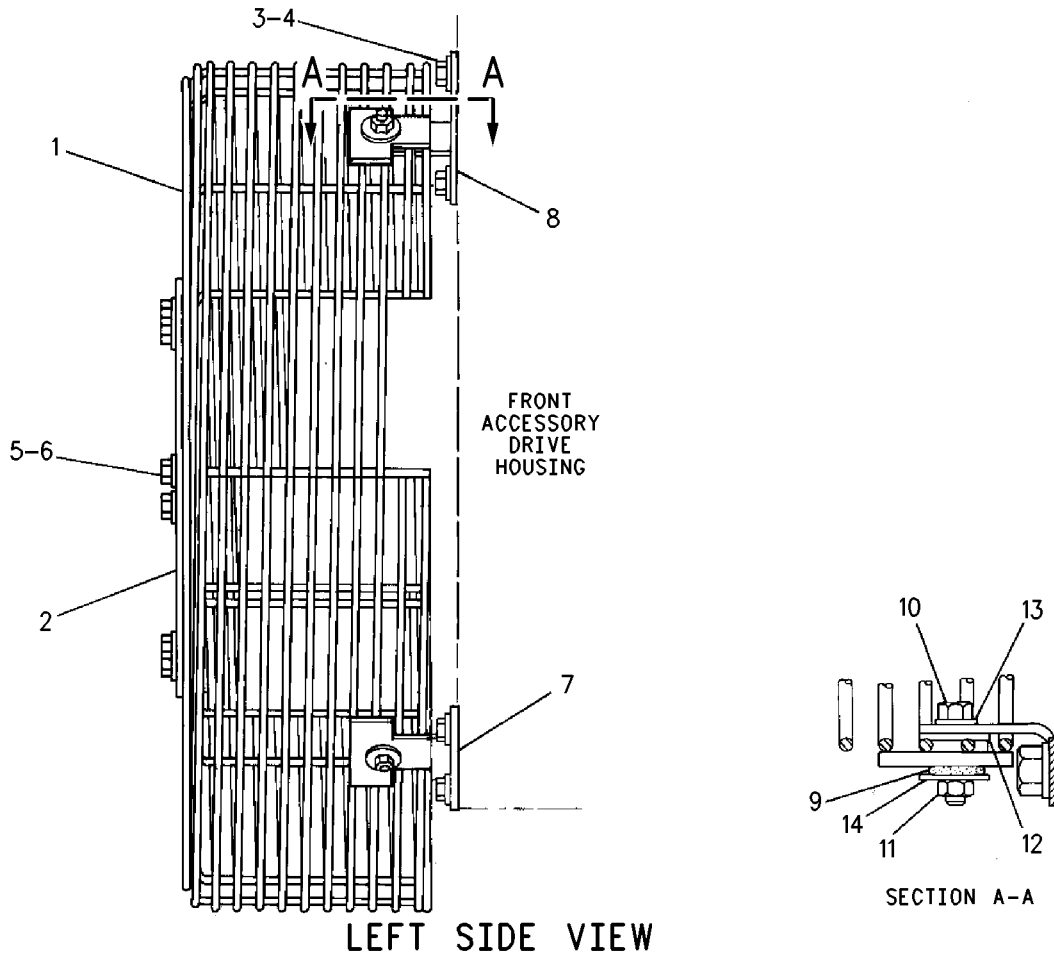
S/N: 50Y647; 66Z190-206

FOR USE WITH FRONT ACCESSORY DRIVE HOUSING  
ALSO AN ATTACHMENT

SMCS-1205

i04381469

NOTE	REF NO	GRAPHIC REF	PART NUMBER	QTY	PART NAME						SEE PAGE
					1	2	3	4	5	6 (PRODUCT LEVEL)	
	1	1	<b>1W-4923</b>	1	DAMPER & GUARD AS						
		1	<b>1V-8638</b>	6	NUT (3/8-16-THD)						
2		1	<b>8J-8919</b>	1	COVER						
3		1	<b>0S-1621</b>	8	BOLT (1/2-13X1-IN)						
4		1	<b>5P-8245</b>	8	WASHER-HARD (13.5X25.5X3-MM THK)						
5		1	<b>030-8535</b>	6	BOLT-LOCKING (3/8-16X0.875-IN)						
6		1	<b>5P-1075</b>	6	WASHER-HARD (10.2X22.5X3-MM THK)						
7		1	<b>7W-3031</b>	2	BRACKET						
8		1	<b>7W-3032</b>	2	BRACKET						
9		1	<b>1P-7115</b>	4	GROMMET AS						
10		1	<b>0S-1591</b>	4	BOLT (3/8-16X1.5-IN)						
11		1	<b>9S-8752</b>	4	NUT-FULL (3/8-16-THD)						
12		1	<b>3F-1417</b>	4	WASHER (10.3X30.2X3-MM THK)						
13		1	<b>5M-2894</b>	4	WASHER-HARD (10.2X18.5X2.5-MM THK)						
14		1	<b>9L-9132</b>	4	WASHER (10.2X25.5X2.5-MM THK)						



GRAPHIC #1

<END>

g00908882

# BASIC ENGINE

## 101-1269 HOUSING GP-FLYWHEEL

S/N: 50Y647-1304

FOR USE WITH SAE 00 FLYWHEEL

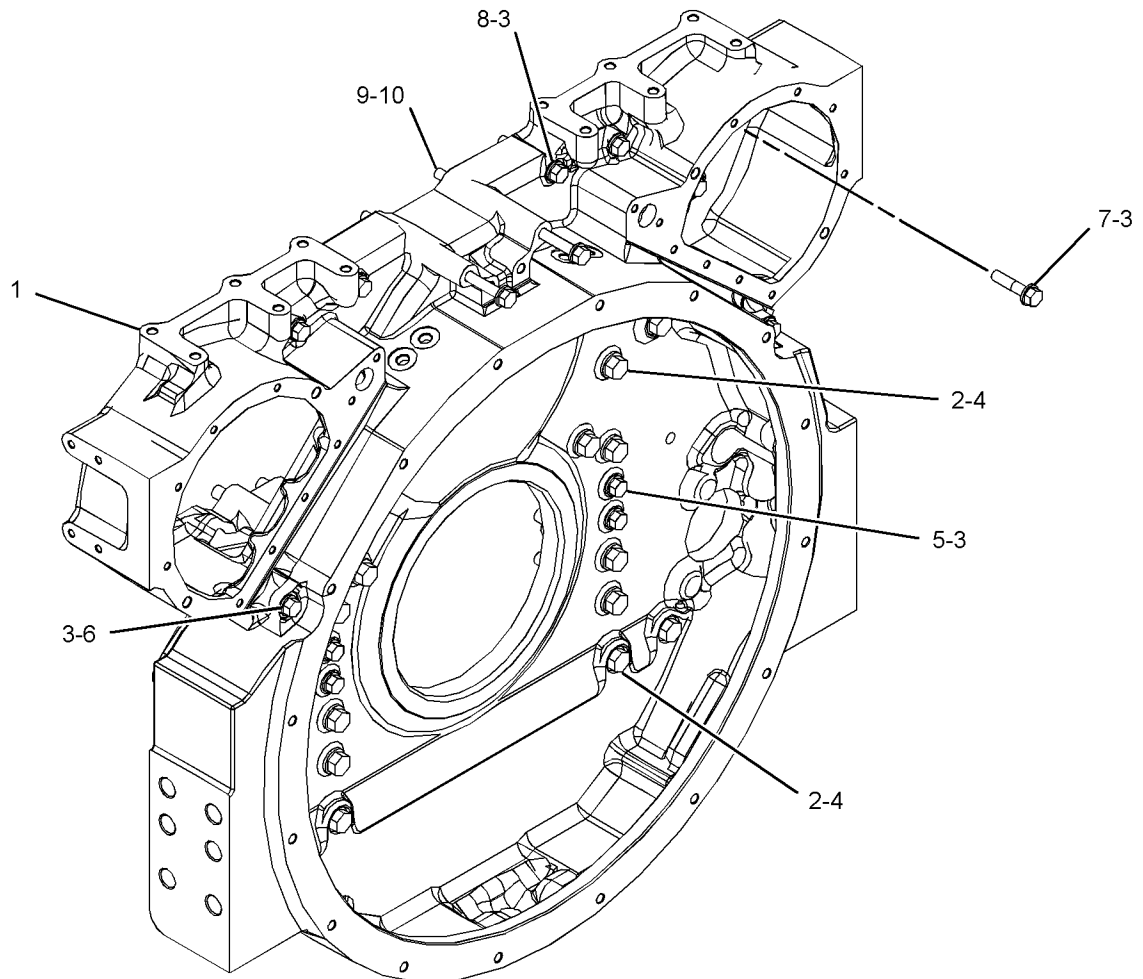
PART OF 357-0858, 376-4849 ENGINE AR-COMplete

SMCS-1157

i05955366

NOTE	REF NO	GRAPHIC REF	PART NUMBER	QTY	PART NAME						SEE PAGE
					1	2	3	4	5	6 (PRODUCT LEVEL)	
	1	1	<b>222-9921</b>	1	HOUSING-FLYWHEEL						
	2	1	<b>1D-4590</b>	16	BOLT (5/8-11X4.75-IN)						
	3	1	<b>5P-8245</b>	16	WASHER-HARD (13.5X25.5X3-MM THK)						
	4	1	<b>5P-8247</b>	16	WASHER-HARD (17X32X3.5-MM THK)						
	5	1	<b>8S-9089</b>	4	BOLT (1/2-13X4.5-IN)						
	6	1	<b>9S-1374</b>	2	BOLT (1/2-13X8-IN)						
	7	1	<b>2B-0947</b>	6	BOLT (1/2-13X2.25-IN)						
	8	1	<b>9X-8875</b>	4	BOLT (1/2-13X3.5-IN)						
B	9	1	<b>5P-8245</b>	2	WASHER-HARD (13.5X25.5X3-MM THK)						
B	10	1	<b>6M-9613</b>	2	BOLT (1/2-13X9-IN)						

B - USE AS REQUIRED



GRAPHIC #1

<END>

g03737883

# BASIC ENGINE

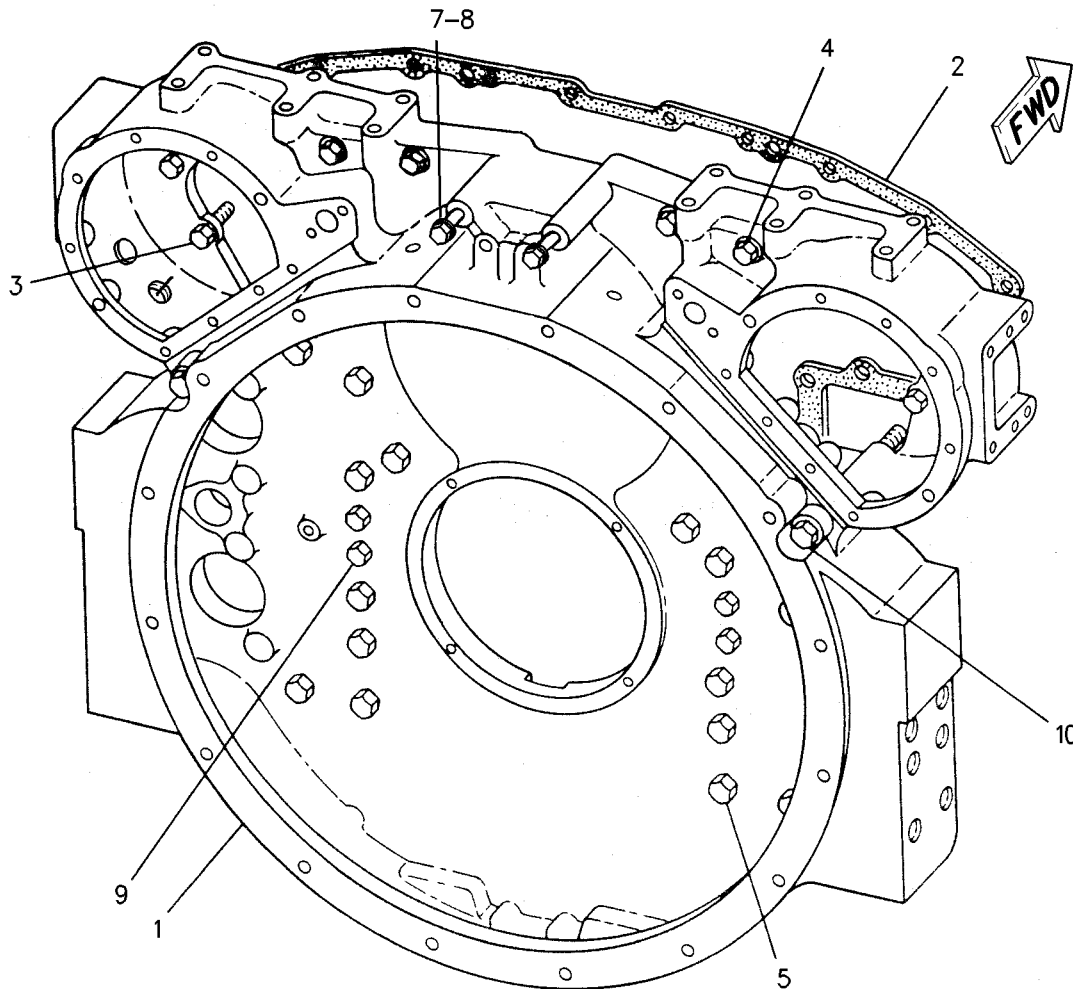
## 101-1269 HOUSING GP-FLYWHEEL

S/N: 50Y647-1304  
FOR USE WITH SAE 00 FLYWHEEL  
FIELD INSTALLATION

SMCS-1157

i01909739

NOTE	REF NO	GRAPHIC REF	PART NUMBER	QTY	PART NAME						SEE PAGE
					1	2	3	4	5	6 (PRODUCT LEVEL)	
	1	1	<b>101-1268</b>	1	HOUSING-FLYWHEEL						
	2	1	<b>7N-3049</b>	1	GASKET						
	3	1	<b>0S-1595</b>	6	BOLT (1/2-13X1.25-IN)						
	4	1	<b>9X-8875</b>	4	BOLT (1/2-13X3.5-IN)						
	5	1	<b>1D-4590</b>	16	BOLT (5/8-11X4.75-IN)						
	7	1	<b>5P-8245</b>	2	WASHER-HARD (13.5X25.5X3-MM THK)						
	8	1	<b>6M-9613</b>	2	BOLT (1/2-13X9-IN)						
	9	1	<b>8S-9089</b>	4	BOLT (1/2-13X4.5-IN)						
	10	1	<b>9S-1374</b>	2	BOLT (1/2-13X8-IN)						



GRAPHIC #1

<END>

g00995171

# BASIC ENGINE

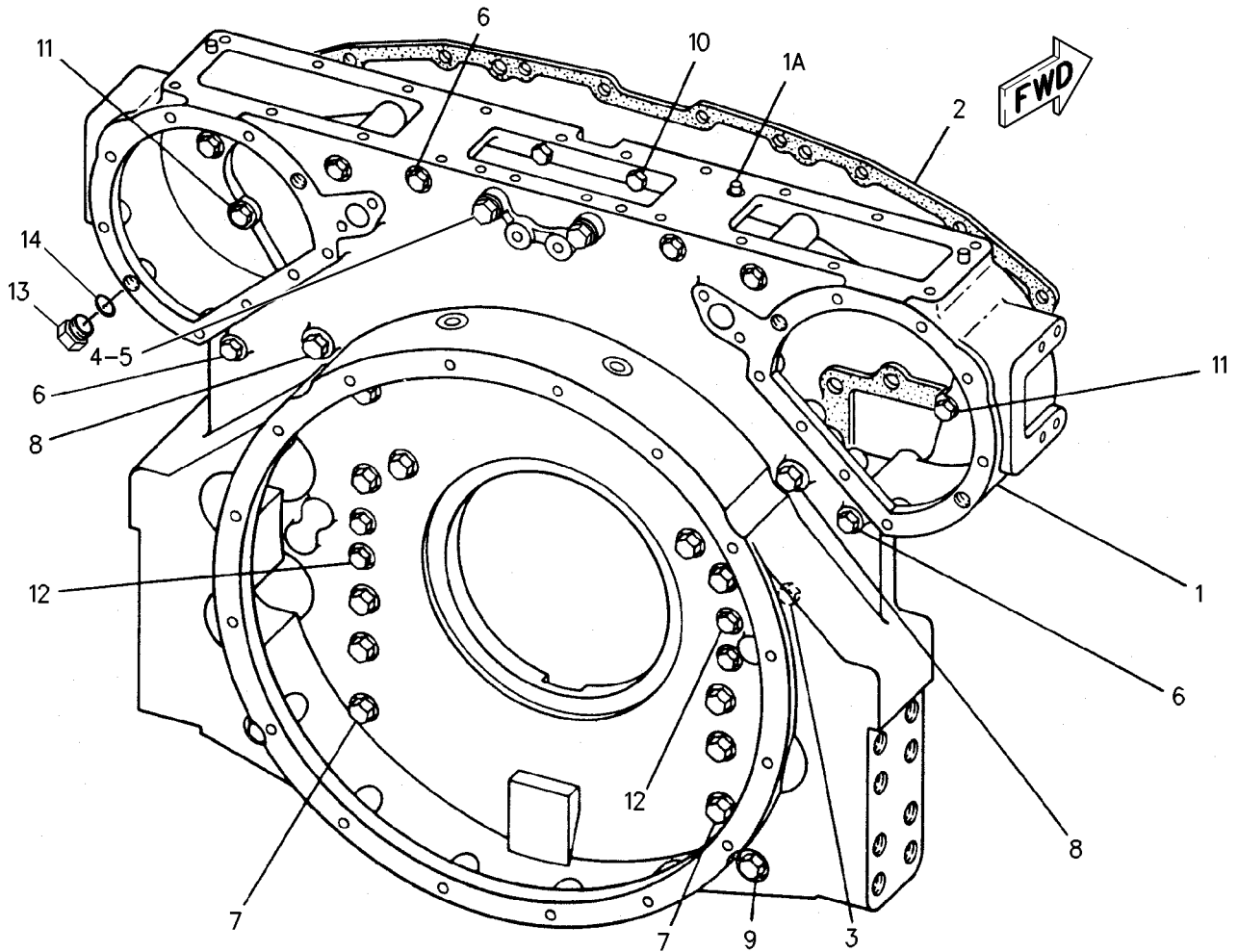
## 102-3540 HOUSING GP-FLYWHEEL

FOR USE WITH SAE 0 FLYWHEELS  
AN ATTACHMENT

SMCS-1157

i01785130

NOTE	REF NO	GRAPHIC REF	PART NUMBER	QTY	PART NAME						SEE PAGE
					1	2	3	4	5	6	
	1	1	<b>105-3045</b>	1	HOUSING AS-FLYWHEEL						
	1A	1	<b>7N-2047</b>	1	DOWEL						
	2	1	<b>7N-3049</b>	1	GASKET						
	3	1	<b>8T-6765</b>	1	PLUG-PIPE (1/4-18-THD)						
	4	1	<b>5P-8245</b>	2	WASHER-HARD (13.5X25.5X3-MM THK)						
	5	1	<b>9X-8874</b>	2	BOLT (1/2-13X3-IN)						
	6	1	<b>1D-4574</b>	6	BOLT (1/2-13X6-IN)						
	7	1	<b>1D-4593</b>	12	BOLT (5/8-11X5.5-IN)						
	8	1	<b>1D-4597</b>	2	BOLT (5/8-11X6.5-IN)						
	9	1	<b>1D-4602</b>	2	BOLT (5/8-11X9.5-IN)						
	10	1	<b>9X-8873</b>	2	BOLT (1/2-13X2.25-IN)						
	11	1	<b>0S-1595</b>	6	BOLT (1/2-13X1.25-IN)						
	12	1	<b>9X-8878</b>	4	BOLT (1/2-13X5.25-IN)						
	13	1	<b>9S-4185</b>	1	PLUG (3/4-16-THD)						
	14	1	<b>3K-0360</b>	1	SEAL-O-RING						



GRAPHIC #1

<END>

g00913824

# BASIC ENGINE

## 7W-3722 HOUSING GP-FLYWHEEL

S/N: 50Y666-1095; 66Z198-495

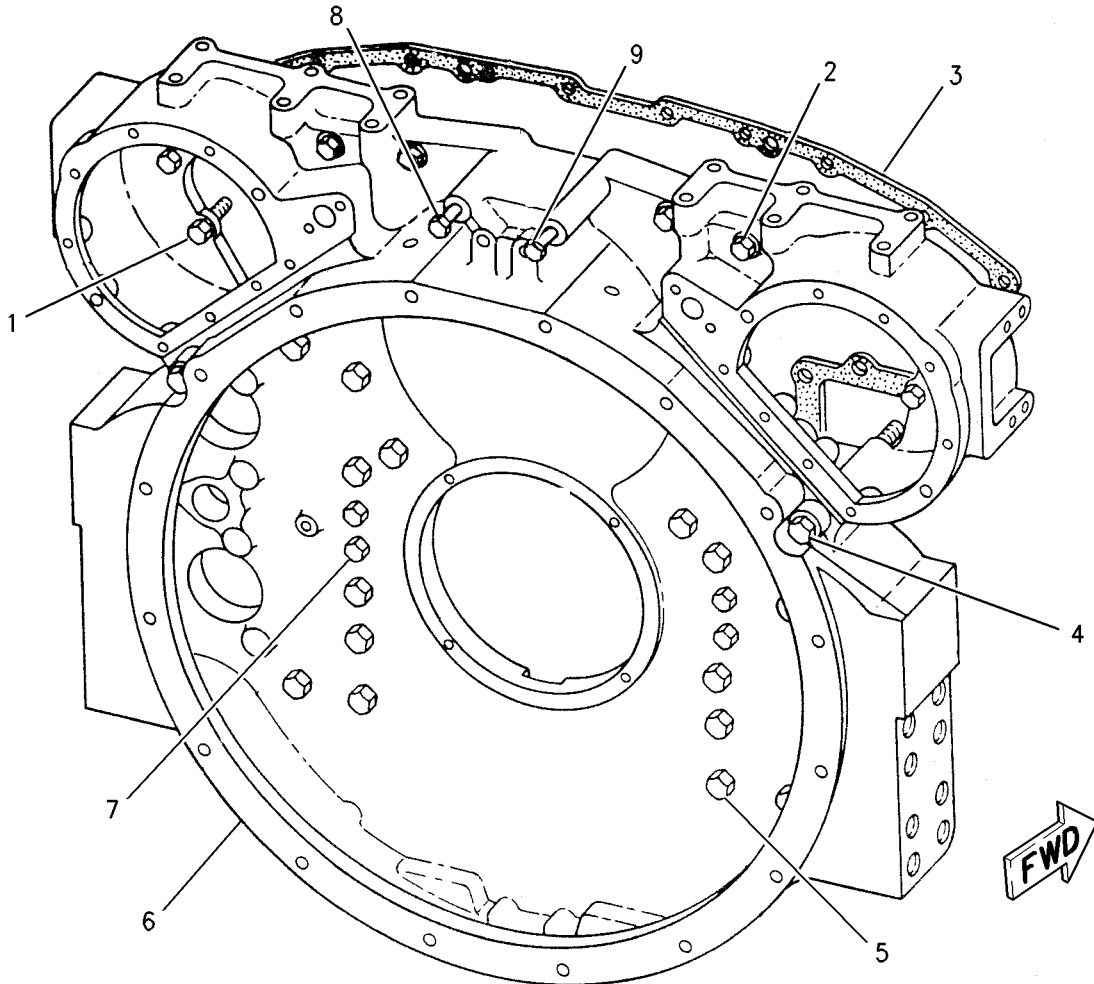
FOR USE WITH SAE 00 FLYWHEEL

SMCS-1157

i01758461

NOTE	REF NO	GRAPHIC REF	PART NUMBER	QTY	PART NAME						SEE PAGE
					1	2	3	4	5	6 (PRODUCT LEVEL)	
	1	1	<b>0S-1595</b>	6	BOLT (1/2-13X1.25-IN)						
	2	1	<b>1D-4566</b>	4	BOLT (1/2-13X3.5-IN)						
	3	1	<b>7N-3049</b>	1	GASKET						
	4	1	<b>9S-1374</b>	2	BOLT (1/2-13X8-IN)						
	5	1	<b>1D-4590</b>	16	BOLT (5/8-11X4.75-IN)						
	6	1	<b>2W-7505</b>	1	HOUSING-FLYWHEEL						
	7	1	<b>8S-9089</b>	4	BOLT (1/2-13X4.5-IN)						
B	8	1	<b>6M-9613</b>	2	BOLT (1/2-13X9-IN)						
		1	<b>5P-8245</b>	2	WASHER-HARD (13.5X25.5X3-MM THK)						
B	9	1	<b>9M-7269</b>	2	BOLT (1/2-13X6.75-IN)						

B - USE AS REQUIRED



GRAPHIC #1

<END>

g00901476



# BASIC ENGINE

## 7W-3722 HOUSING GP-FLYWHEEL

S/N: 50Y1096-1304; 66Z496-578

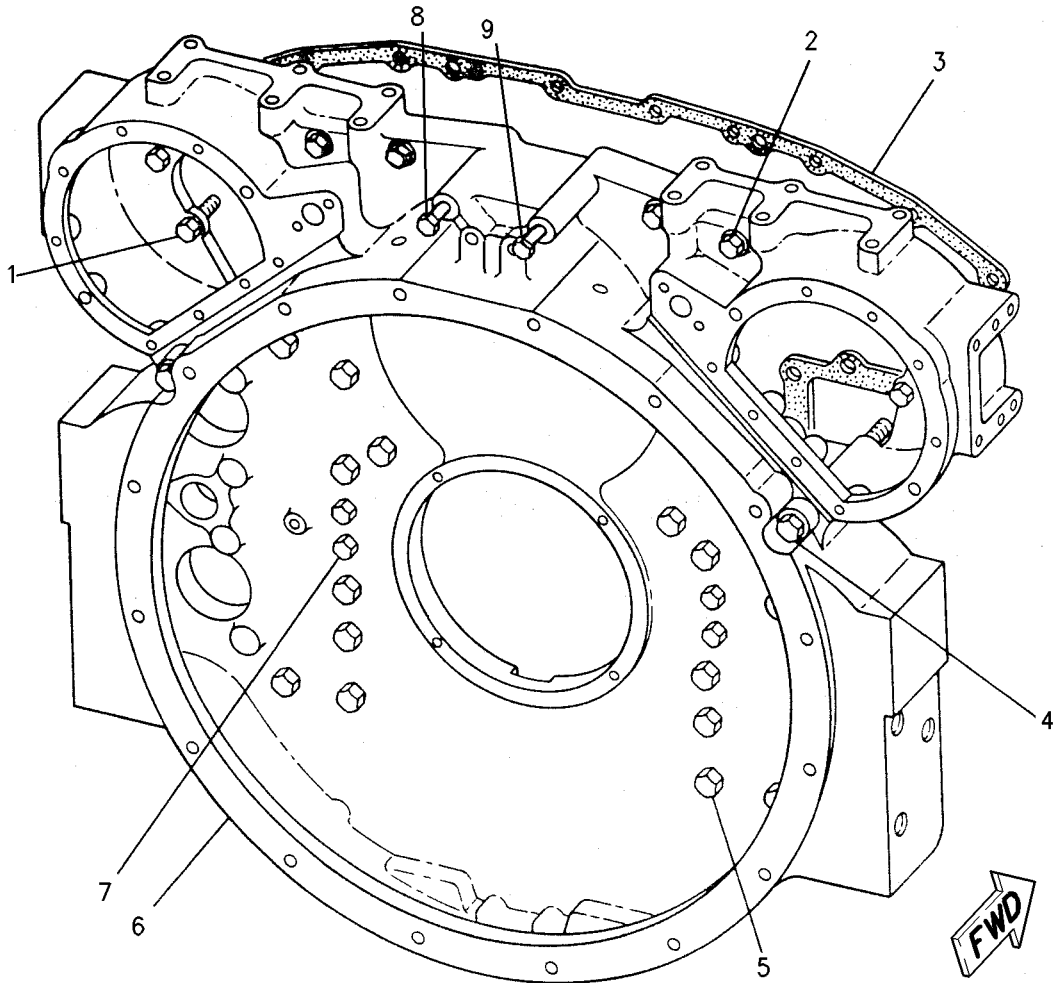
FOR USE WITH SAE 00 FLYWHEEL

SMCS-1157

i01758449

NOTE	REF NO	GRAPHIC REF	PART NUMBER	QTY	PART NAME						SEE PAGE
					1	2	3	4	5	6 (PRODUCT LEVEL)	
	1	1	<b>0S-1595</b>	6	BOLT (1/2-13X1.25-IN)						
C	2	1	<b>9X-8875</b>	4	BOLT (1/2-13X3.5-IN)						
	3	1	<b>7N-3049</b>	1	GASKET						
	4	1	<b>9S-1374</b>	2	BOLT (1/2-13X8-IN)						
	5	1	<b>1D-4590</b>	16	BOLT (5/8-11X4.75-IN)						
C	6	1	<b>4P-5490</b>	1	HOUSING-FLYWHEEL						
	7	1	<b>8S-9089</b>	4	BOLT (1/2-13X4.5-IN)						
B	8	1	<b>6M-9613</b>	2	BOLT (1/2-13X9-IN)						
		1	<b>5P-8245</b>	2	WASHER-HARD (13.5X25.5X3-MM THK)						
B	9	1	<b>9M-7269</b>	2	BOLT (1/2-13X6.75-IN)						

B - USE AS REQUIRED  
C - CHANGE FROM PREVIOUS TYPE



GRAPHIC #1

<END>

g00899634

# BASIC ENGINE

## 7W-3723 HOUSING GP-FLYWHEEL

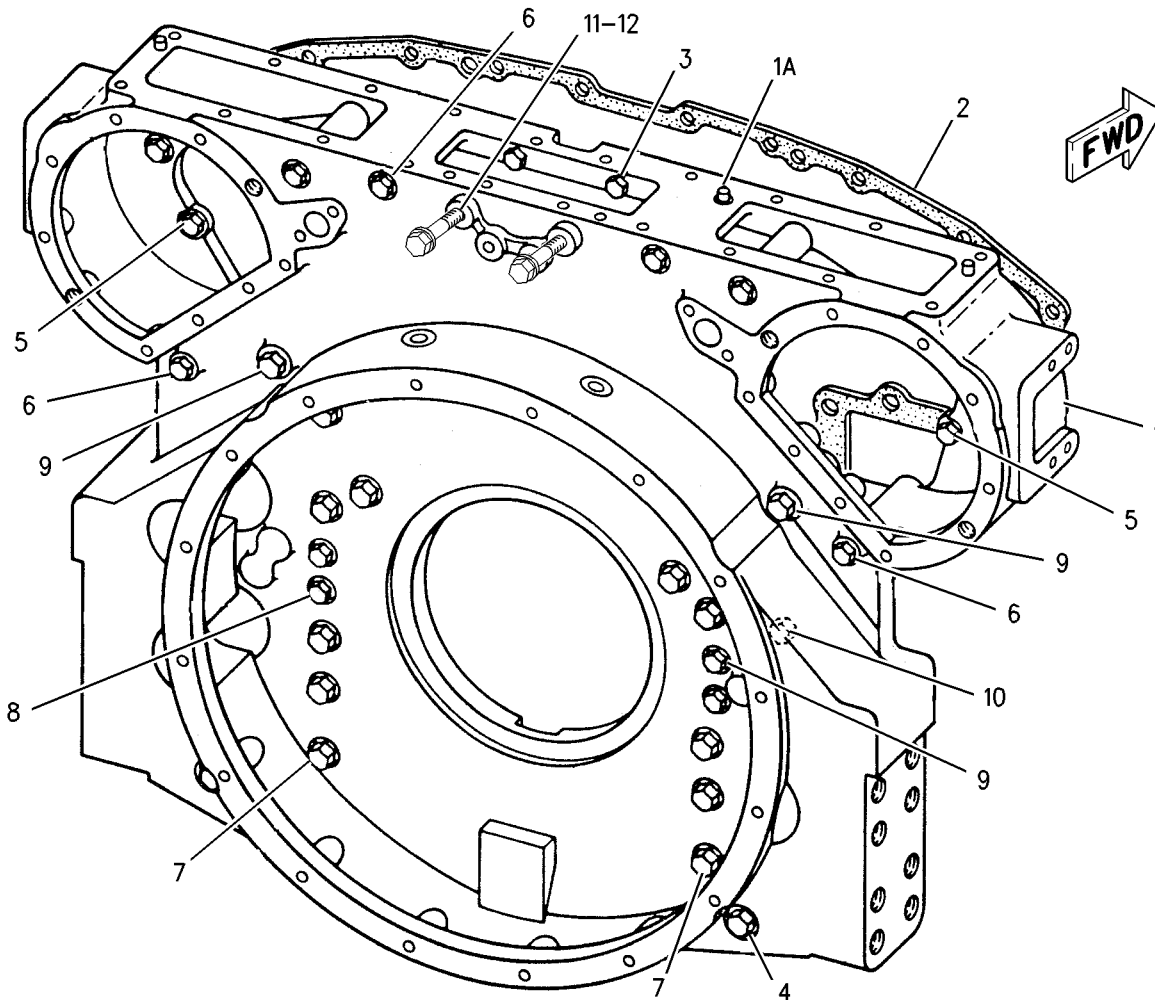
FOR USE WITH SAE 0 FLYWHEEL  
AN ATTACHMENT

SMCS-1157

i01785016

NOTE	REF NO	GRAPHIC REF	PART NUMBER	QTY	PART NAME						SEE PAGE
					1	2	3	4	5	6 (PRODUCT LEVEL)	
	1	1	<b>7W-3721</b>	1	HOUSING AS-FLYWHEEL						
	1A	1	<b>7N-2047</b>	3	DOWEL						
	2	1	<b>7N-3049</b>	1	GASKET						
	3	1	<b>2B-0947</b>	2	BOLT (1/2-13X2.25-IN)						
	4	1	<b>1D-4602</b>	2	BOLT (5/8-11X9.5-IN)						
	5	1	<b>0S-1595</b>	6	BOLT (1/2-13X1.25-IN)						
	6	1	<b>1D-4574</b>	6	BOLT (1/2-13X6-IN)						
	7	1	<b>1D-4593</b>	12	BOLT (5/8-11X5.5-IN)						
	8	1	<b>6F-5282</b>	4	BOLT (1/2-13X5.25-IN)						
	9	1	<b>1D-4597</b>	2	BOLT (5/8-11X6.5-IN)						
	10	1	<b>5M-6213</b>	1	PLUG-PIPE (1/4-18-THD)						
B	11	1	<b>0L-1329</b>	2	BOLT (1/2-13X3-IN)						
B	12	1	<b>5P-8245</b>	2	WASHER-HARD (13.5X25.5X3-MM THK)						

B - USE AS REQUIRED



GRAPHIC #1

<END>

g00914013

# BASIC ENGINE

## 8N-8112 HOUSING GP-FLYWHEEL

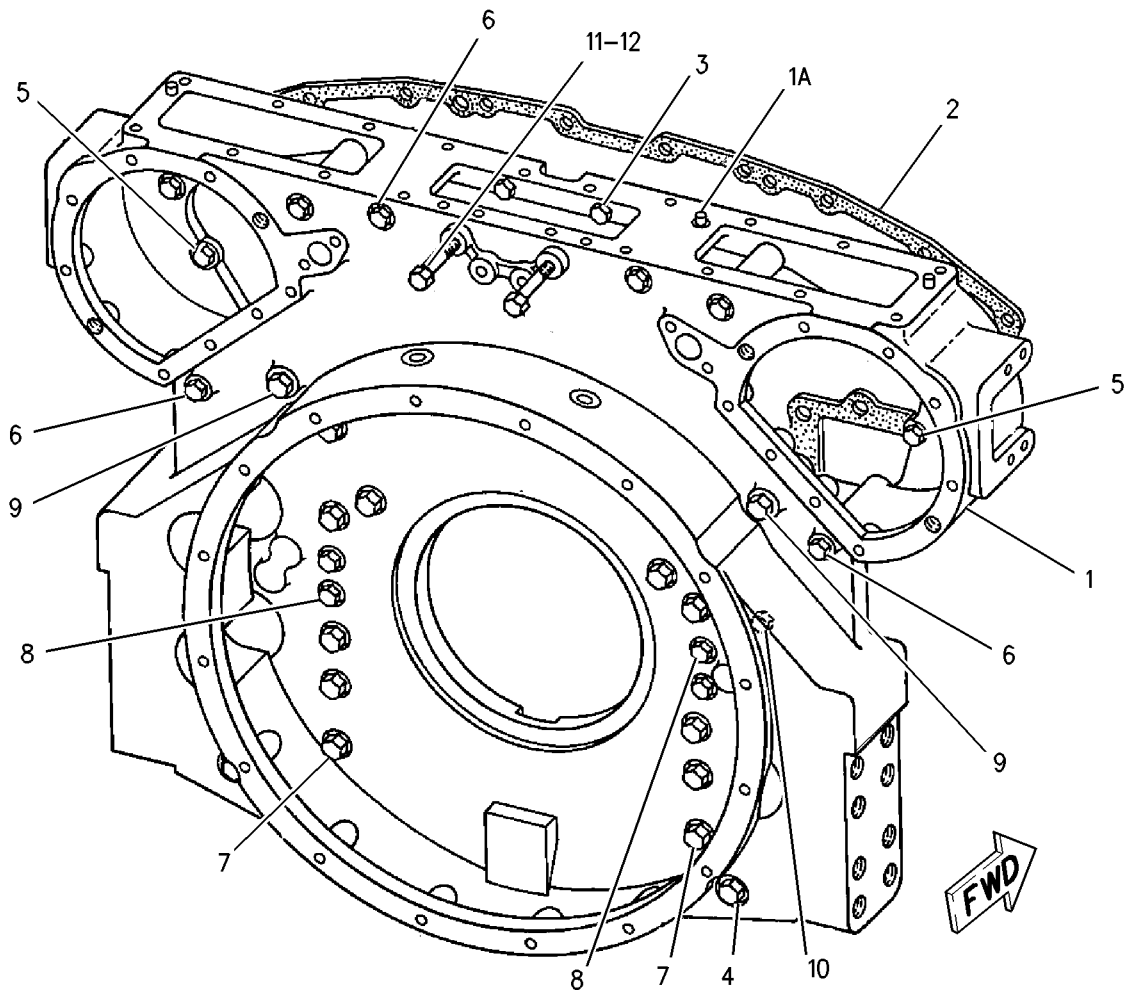
FOR USE WITH SAE 0 FLYWHEEL  
AN ATTACHMENT

SMCS-1157

i01798533

NOTE	REF NO	GRAPHIC REF	PART NUMBER	QTY	PART NAME						SEE PAGE
					1	2	3	4	5	6 (PRODUCT LEVEL)	
C	1	1	<b>4W-4922</b>	1	HOUSING AS-FLYWHEEL						
	1A	1	<b>7N-2047</b>	3	DOWEL						
	2	1	<b>7N-3049</b>	1	GASKET						
	3	1	<b>2B-0947</b>	2	BOLT (1/2-13X2.25-IN)						
	4	1	<b>1D-4602</b>	2	BOLT (5/8-11X9.5-IN)						
	5	1	<b>0S-1595</b>	6	BOLT (1/2-13X1.25-IN)						
	6	1	<b>1D-4574</b>	6	BOLT (1/2-13X6-IN)						
	7	1	<b>1D-4593</b>	12	BOLT (5/8-11X5.5-IN)						
	8	1	<b>6F-5282</b>	4	BOLT (1/2-13X5.25-IN)						
	9	1	<b>1D-4597</b>	2	BOLT (5/8-11X6.5-IN)						
	10	1	<b>5M-6213</b>	1	PLUG-PIPE (1/4-18-THD)						
B	11	1	<b>0L-1329</b>	2	BOLT (1/2-13X3-IN)						
B	12	1	<b>5P-8245</b>	2	WASHER-HARD (13.5X25.5X3-MM THK)						

B - USE AS REQUIRED  
C - CHANGE FROM PREVIOUS TYPE



GRAPHIC #1

<END>

g00921848

# BASIC ENGINE

## 8N-8113 HOUSING GP-FLYWHEEL

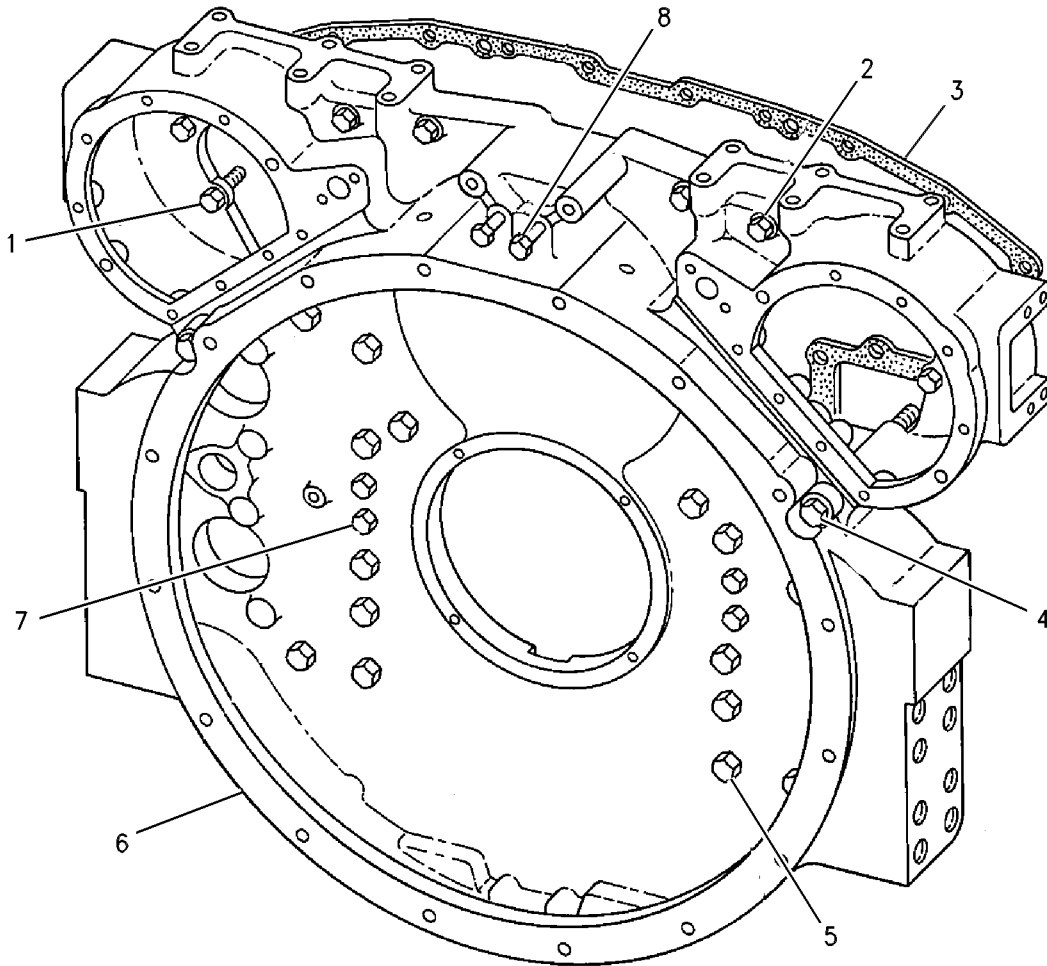
S/N: 50Y647-665; 66Z190-206

SMCS-1157

i00934962

NOTE	REF NO	GRAPHIC REF	PART NUMBER	QTY	PART NAME						SEE PAGE
					1	2	3	4	5	6 (PRODUCT LEVEL)	
	1	1	<b>0S-1595</b>	6	BOLT (1/2-13X1.25-IN)						
	2	1	<b>1D-4566</b>	4	BOLT (1/2-13X3.5-IN)						
	3	1	<b>7N-3049</b>	1	GASKET						
	4	1	<b>9S-1374</b>	2	BOLT (1/2-13X8-IN)						
	5	1	<b>1D-4590</b>	16	BOLT (5/8-11X4.75-IN)						
C	6	1	<b>4W-4923</b>	1	HOUSING-FLYWHEEL						
	7	1	<b>8S-9089</b>	4	BOLT (1/2-13X4.5-IN)						
	8	1	<b>6M-9613</b>	2	BOLT (1/2-13X9-IN)						
		1	<b>5P-8245</b>	2	WASHER-HARD (13.5X25.5X3-MM THK)						

C - CHANGE FROM PREVIOUS TYPE



GRAPHIC #1

<END>

g00481300

# BASIC ENGINE

## 4P-5426 HOUSING GP-FRONT-ACCESSORY DRIVE

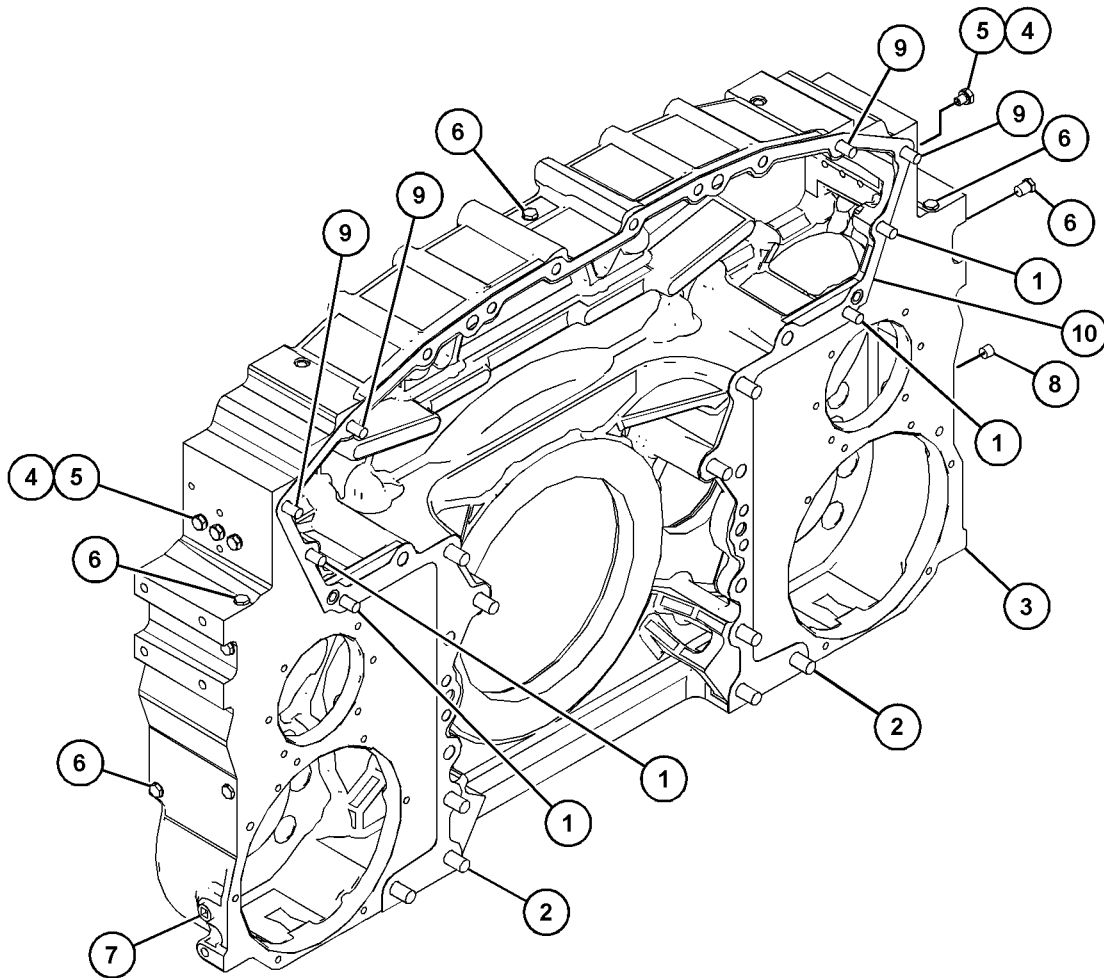
S/N: 50Y647-1304

PART OF 357-0858, 376-4849 ENGINE AR-COMPLETE

SMCS-1151, 1162, 1206

i07398289

NOTE	REF NO	GRAPHIC REF	PART NUMBER	QTY	PART NAME						SEE PAGE
					1	2	3	4	5	6 (PRODUCT LEVEL)	
	1	1	<b>0S-1587</b>	4	BOLT (1/2-13X1.75-IN)						
	2	1	<b>1D-4593</b>	10	BOLT (5/8-11X5.5-IN)						
	3	1	<b>102-8634</b>	1	HOUSING-ACCESSORY DRIVE						
	4	1	<b>1B-4218</b>	6	WASHER (0.39X0.625X0.064-IN THK)						
	5	1	<b>2A-5220</b>	6	PLUG						
	6	1	<b>8T-6765</b>	7	PLUG-PIPE (1/4-18-THD)						
	7	1	<b>8T-6762</b>	1	PLUG-PIPE (1/2-14-THD)						
	8	1	<b>8T-6758</b>	1	PLUG-PIPE (1/4-18-THD)						
	9	1	<b>9H-8260</b>	4	BOLT (1/2-13X6.25-IN)						
	10	1	<b>7N-3049</b>	1	GASKET						



GRAPHIC #1

<END>

g06312657

# BASIC ENGINE

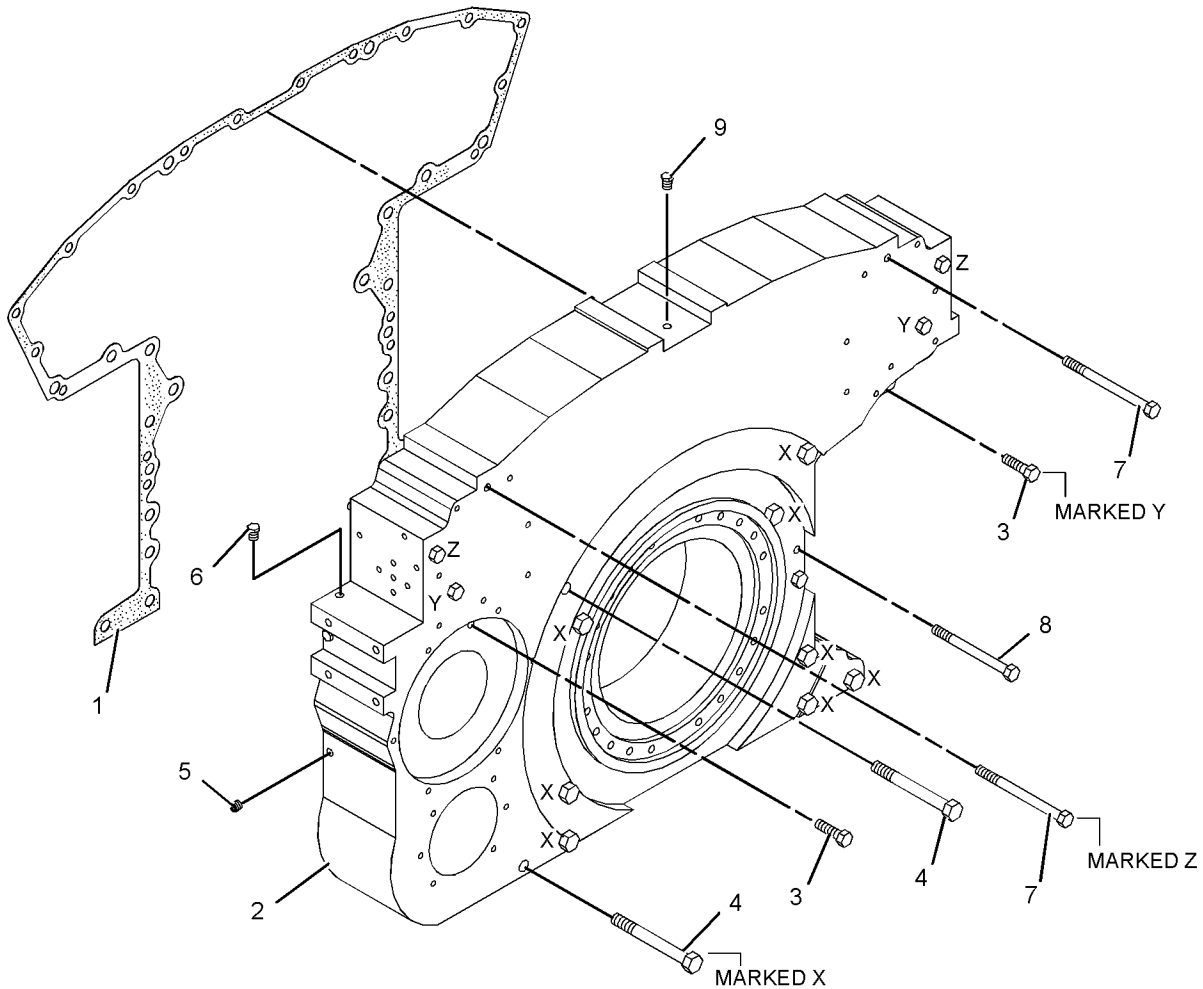
## 7W-1530 HOUSING GP-FRONT AN ATTACHMENT

SMCS-1151, 1162, 1206

i07350078

NOTE	REF NO	GRAPHIC REF	PART NUMBER	QTY	PART NAME						SEE PAGE
					1	2	3	4	5	6	
	1	1	<b>7N-3049</b>	1	GASKET						
	2	1	<b>101-0832</b>	1	HOUSING-FRONT DRIVE						
	3	1	<b>0S-1587</b>	4	BOLT (1/2-13X1.75-IN)						
	4	1	<b>1D-4593</b>	10	BOLT (5/8-11X5.5-IN)						
	5	1	<b>8T-6758</b>	1	PLUG-PIPE (1/4-18-THD)						
	6	1	<b>8T-6765</b>	2	PLUG-PIPE (1/4-18-THD)						
	7	1	<b>9H-8260</b>	4	BOLT (1/2-13X6.25-IN)						
	8	1	<b>9X-8879</b>	2	BOLT (1/2-13X5.5-IN)						
B	9	1	<b>8T-6765</b>	1	PLUG-PIPE (1/4-18-THD)						

B - USE AS REQUIRED



GRAPHIC #1

<END>

g01324103

# BASIC ENGINE

## 7W-3724 HOUSING GP-FRONT-ACCESSORY DRIVE

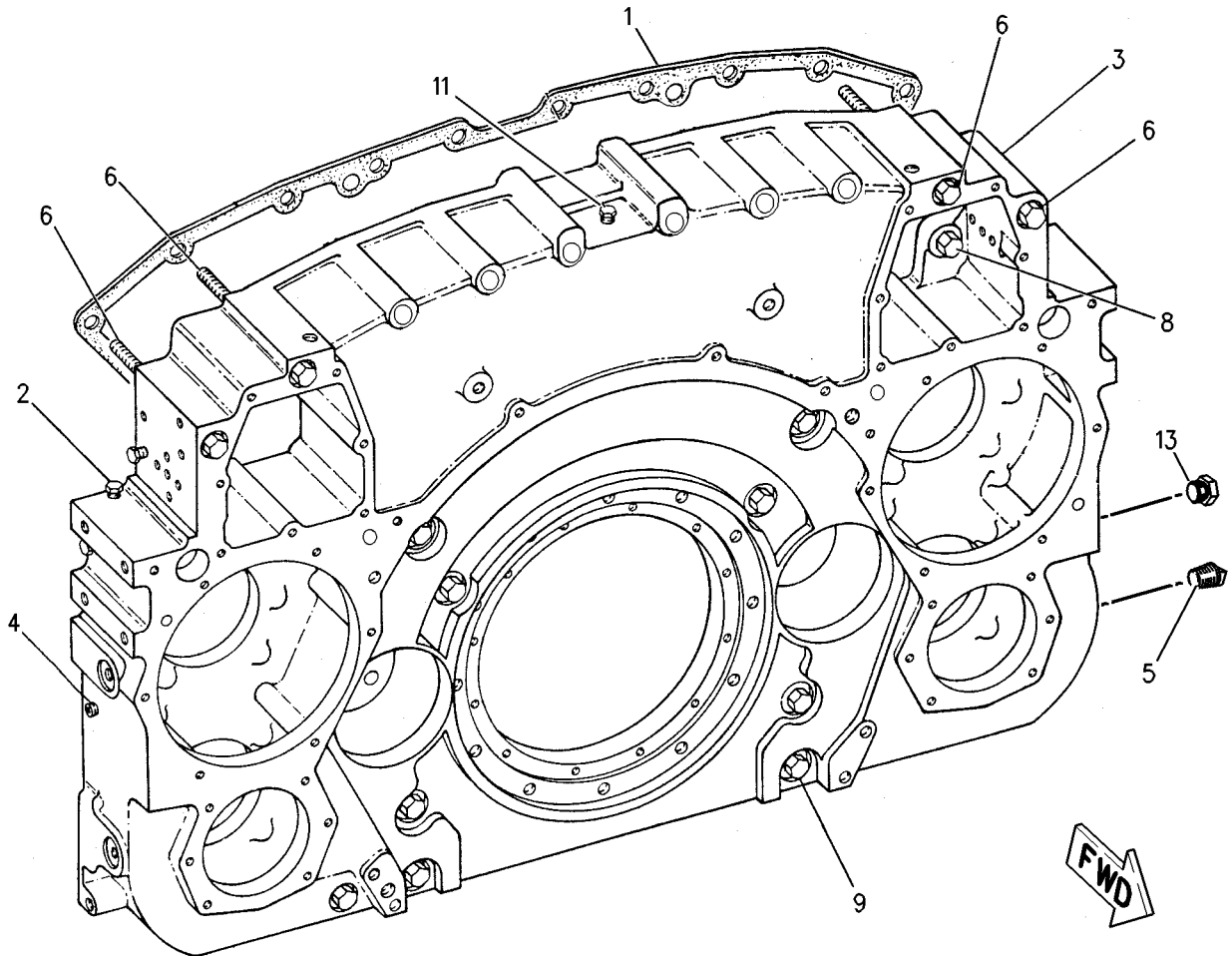
S/N: 50Y666-1304; 66Z198-578

SMCS-1151, 1162, 1206

i07350080

NOTE	REF NO	GRAPHIC REF	PART NUMBER	QTY	PART NAME						SEE PAGE
					1	2	3	4	5	6 (PRODUCT LEVEL)	
	1	1	<b>7N-3049</b>	1	GASKET						
	2	1	<b>8T-6765</b>	5	PLUG-PIPE (1/4-18-THD)						
	3	1	<b>102-8634</b>	1	HOUSING-ACCESSORY DRIVE						
	4	1	<b>8T-6758</b>	1	PLUG-PIPE (1/4-18-THD)						
	5	1	<b>8T-6762</b>	1	PLUG-PIPE (1/2-14-THD)						
	6	1	<b>9H-8260</b>	4	BOLT (1/2-13X6.25-IN)						
	8	1	<b>0S-1587</b>	4	BOLT (1/2-13X1.75-IN)						
	9	1	<b>1D-4593</b>	10	BOLT (5/8-11X5.5-IN)						
B	11	1	<b>8T-6765</b>	1	PLUG-PIPE (1/4-18-THD)						
B	13	1	<b>8T-6765</b>	1	PLUG-PIPE (1/4-18-THD)						

B - USE AS REQUIRED



GRAPHIC #1

<END>

g00899631

# BASIC ENGINE

## 8N-8111 HOUSING GP-FRONT

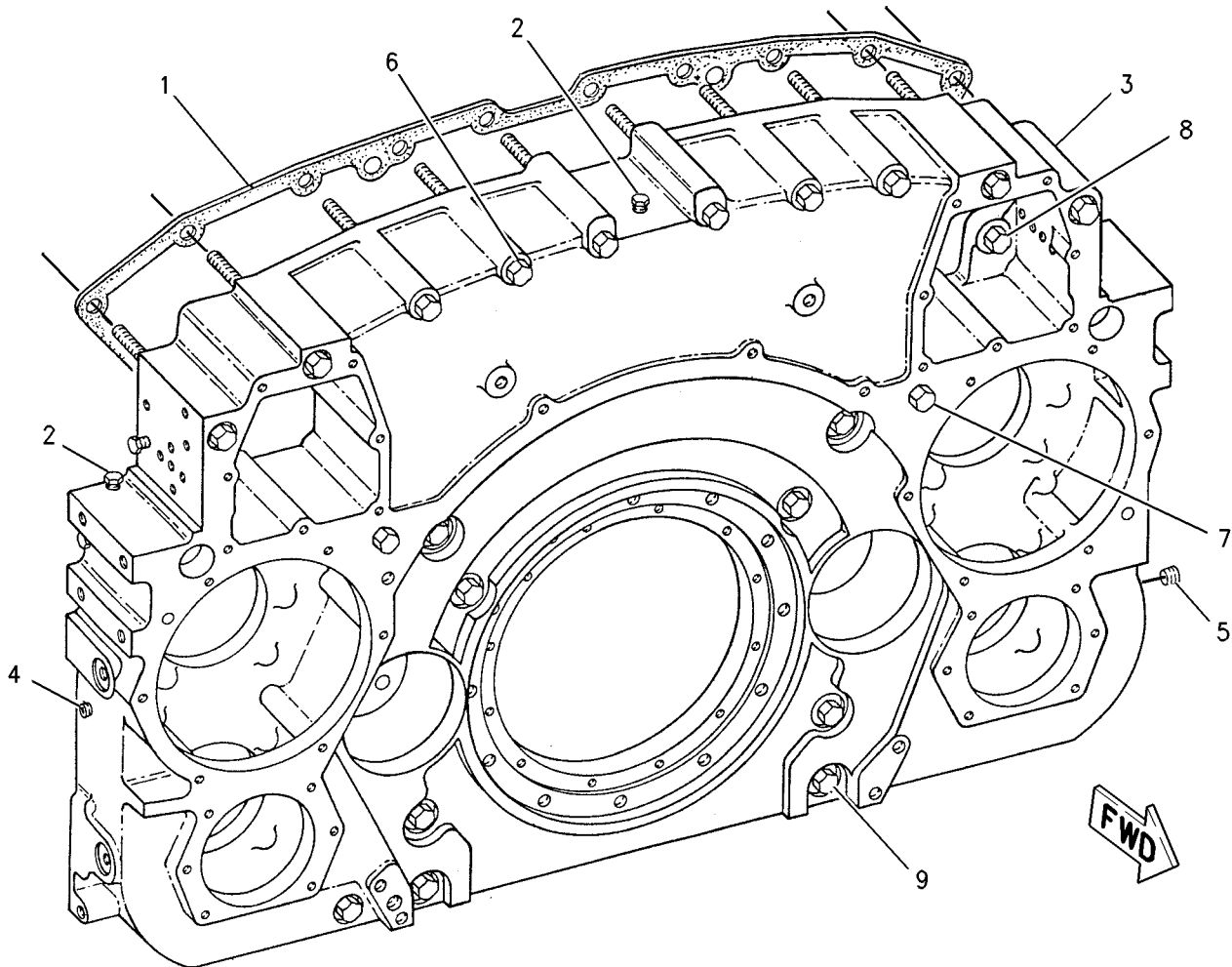
S/N: 50Y647-665; 66Z190-206

SMCS-1151, 1162, 1206

i01798534

NOTE	REF NO	GRAPHIC REF	PART NUMBER	QTY	PART NAME						SEE PAGE
					1	2	3	4	5	6 (PRODUCT LEVEL)	
	1	1	<b>7N-3049</b>	1	GASKET						
CB	2	1	<b>5M-6213</b>	7	PLUG-PIPE (1/4-18-THD)						
	3	1	<b>8N-8300</b>	1	HOUSING-ACCESSORY DRIVE						
	4	1	<b>7F-9504</b>	1	PLUG-PIPE						
C	5	1	<b>2B-0858</b>	1	PLUG-PIPE						
	6	1	<b>9H-8260</b>	10	BOLT (1/2-13X6.25-IN)						
	7	1	<b>1D-4597</b>	2	BOLT (5/8-11X6.5-IN)						
	8	1	<b>0S-1587</b>	4	BOLT (1/2-13X1.75-IN)						
	9	1	<b>1D-4593</b>	10	BOLT (5/8-11X5.5-IN)						

B - USE AS REQUIRED  
C - CHANGE FROM PREVIOUS TYPE



GRAPHIC #1

<END>

g00922055



# BASIC ENGINE

## 355-0767 KIT-CYLINDER HEAD

KIT PROVIDES A STANDARDIZED 3500 SINGLE CYLINDER HEAD KIT FOR MUI APPLICATIONS WITH WATER-COOLED EXHAUST. KIT DOES NOT. CONTAIN INJECTOR SEALS, BREATHER SEALS, VALVE STEM SEALS, OR ROCKER ARM BUTTON SEALS. ORDER AS NEEDED

FOR USE WITH E259- ENGINE S/N 96Y 1-UP, E259- ENGINE S/N 96Y 1-UP, E259- ENGINE S/N 96Y 1-UP, E262- ENGINE S/N 50Y 1-UP, 2W-8862-PAGE: 8, E262- ENGINE S/N 50Y 1-UP, 8N-5802-PAGE: 15, E262- ENGINE S/N 50Y 1-UP, E273- ENGINE S/N 23Z 1-UP, E274- ENGINE S/N 24Z 1-UP, E302- ENGINE S/N 69Z 1-UP, E302- ENGINE S/N 69Z 1-UP, E302- ENGINE S/N 69Z 1-UP, E303 ENGINE S/N 70Z 1-UP, E305- ENGINE S/N 66Z 1-UP, E305- ENGINE S/N 66Z 1-UP, 2W-8868-PAGE: 12, E306- ENGINE S/N 67Z 1-UP

### FIELD INSTALLATION

SMCS-1100

i05975462

NOTE	PART NUMBER	QTY	PART NAME						SEE PAGE
			1	2	3	4	5	6 (PRODUCT LEVEL)	
	2W-0752	1	GASKET						
	7E-3772	1	GASKET						
	7E-4127	1	GASKET						
	7N-5089	1	GASKET						
	110-6991	1	GASKET-CYLINDER HEAD						
	7N-5080	1	GASKET-MANIFOLD						
	144-5692	1	GASKET-PLATE						
	272-0758	1	SEAL						
	420-0653	4	SEAL AS-WATER						
	420-0652	4	SEAL AS-WATER						
	127-2176	1	SEAL-INTEGRAL						
	2J-0157	2	SEAL-O-RING						
	2M-4453	4	SEAL-O-RING						
	3J-7354	4	SEAL-O-RING						
	5P-0840	2	SEAL-O-RING						
	6V-5101	1	SEAL-O-RING						
	6V-9769	2	SEAL-O-RING						
	214-7568	2	SEAL-O-RING						
	7N-6806	2	SEAL-RECTANGULAR						
	272-0757	1	SEAL-VALVE COVER						

FOR A LIST OF RELATED PARTS REQUIRED FOR THE ENGINE REBUILD TO THE KIT CONSIST, PLEASE VISIT

[HTTP://DEALER.CAT.COM/RELATED](http://dealer.cat.com/related)

<END>

# BASIC ENGINE

## 452-9918 KIT-CYLINDER HEAD-SINGLE CYLINDER HEAD

S/N: 50Y647-1304

FOR USE WITH 317-2440-PAGE: 161  
FIELD INSTALLATION

SMCS-1100

i06844794

NOTE	PART NUMBER	QTY	PART NAME						SEE PAGE
			1	2	3	4	5	6 (PRODUCT LEVEL)	
R	<b>133-9306</b>	2	GUIDE-VALVE (STANDARD) (INLET)						
AB	<b>149-1982</b>		GUIDE-VALVE (0.508-MM OS)						
AB	<b>273-3553</b>		GUIDE-VALVE (0.127-MM OS)						
AB	<b>273-3554</b>		GUIDE-VALVE (0.25-MM OS)						
AB	<b>301-9248</b>		GUIDE-VALVE (0.38-MM THK)						
R	<b>197-6995</b>	2	GUIDE-VALVE (STANDARD)						
AB	<b>276-3875</b>		GUIDE-VALVE (0.127-MM OS)						
AB	<b>276-3876</b>		GUIDE-VALVE (0.25-MM OS)						
AB	<b>320-7710</b>		GUIDE-VALVE (0.381-MM OS, EXHAUST)						
AB	<b>320-7711</b>		GUIDE-VALVE (0.508-MM OS, EXHAUST)						
	<b>183-8809</b>	2	INSERT-VALVE SEAT (INTAKE) (STANDARD)						
AB	<b>149-1981</b>		INSERT-VALVE SEAT (0.51-MM OS)						
	<b>289-9745</b>	2	INSERT-VALVE SEAT (EXHAUST) (STANDARD)						
AB	<b>166-5945</b>		INSERT-VALVE SEAT (0.508-MM OS)						
	<b>2A-4429</b>	4	LOCK-RETAINER						
	<b>197-7055</b>	4	LOCK-RETAINER						
	<b>3B-0623</b>	5	PLUG-CUP						
	<b>3B-0645</b>	5	PLUG-CUP						
	<b>9S-8002</b>	4	PLUG (7/16-20-THD)						
	<b>316-5978</b>	2	ROTOCOIL AS (INLET)						
	<b>316-5979</b>	2	ROTOCOIL AS (EXHAUST)						
	<b>214-7566</b>	4	SEAL-O-RING						
	<b>316-5980</b>	2	SEAL-VALVE STEM						
	<b>316-5976</b>	4	SPRING (OUTER)						
	<b>316-5977</b>	4	SPRING (INNER)						
	<b>468-8825</b>	2	VALVE-EXHAUST						
	<b>468-8824</b>	2	VALVE-INLET						
	<b>316-5981</b>	2	WASHER (17.8X44.5X3-MM THK)						

FOR A LIST OF RELATED PARTS THAT REQUIRED FOR THE ENGINE REBUILD TO THE KIT CONSIST, PLEASE VISIT

[HTTPS://DEALER.CAT.COM/RELATED](https://dealer.cat.com/related)

A - NOT PART OF THIS GROUP  
B - USE AS REQUIRED  
R - REMANUFACTURED PART MAY BE AVAILABLE

<END>

# BASIC ENGINE

## 553-4180 KIT-CYLINDER HEAD

S/N: 50Y647-1304

**SINGLE CYLINDER HEAD OVERHAUL KIT  
FOR USE WITH 317-2440-PAGE: 161  
FIELD INSTALLATION**

**SMCS-1100**

**i07326843**

NOTE	PART NUMBER	QTY	PART NAME						SEE PAGE
			1	2	3	4	5	6 (PRODUCT LEVEL)	
R	<b>133-9306</b>	2	GUIDE-VALVE (STANDARD)						
AB	<b>149-1982</b>	2	GUIDE-VALVE (0.508-MM OS)						
AB	<b>273-3553</b>	1	GUIDE-VALVE (0.127-MM OS)						
AB	<b>273-3554</b>	1	GUIDE-VALVE (0.25-MM OS)						
AB	<b>301-9248</b>	1	GUIDE-VALVE (0.38-MM THK)						
R	<b>197-6995</b>	2	GUIDE-VALVE (STANDARD)						
AB	<b>276-3875</b>	1	GUIDE-VALVE (0.127-MM OS)						
AB	<b>276-3876</b>	1	GUIDE-VALVE (0.25-MM OS)						
AB	<b>320-7710</b>	1	GUIDE-VALVE (0.381-MM OS, EXHAUST)						
AB	<b>320-7711</b>	1	GUIDE-VALVE (0.508-MM OS, EXHAUST)						
	<b>183-8809</b>	2	INSERT-VALVE SEAT (INTAKE)						
	<b>289-9745</b>	2	INSERT-VALVE SEAT (EXHAUST)						
	<b>2A-4429</b>	4	LOCK-RETAINER						
	<b>197-7055</b>	4	LOCK-RETAINER						
	<b>9S-8002</b>	4	PLUG (7/16-20-THD)						
	<b>3B-0623</b>	5	PLUG-CUP						
	<b>3B-0645</b>	5	PLUG-CUP						
	<b>316-5978</b>	2	ROTOCOIL AS (INLET)						
	<b>316-5979</b>	2	ROTOCOIL AS (EXHAUST)						
	<b>214-7566</b>	4	SEAL-O-RING						
	<b>316-5980</b>	2	SEAL-VALVE STEM						
	<b>468-8825</b>	2	VALVE-EXHAUST						
	<b>468-8824</b>	2	VALVE-INLET						
	<b>316-5981</b>	2	WASHER (17.8X44.5X3-MM THK)						

A - NOT PART OF THIS GROUP  
 B - USE AS REQUIRED  
 R - REMANUFACTURED PART MAY BE AVAILABLE

<END>

# BASIC ENGINE

## 355-0769 KIT-CYLINDER HEAD GASKET

S/N: 66Z190-578

PROVIDE A STANDARDIZED 3500 SINGLE CYLINDER HEAD KIT FOR MUI APPLICATIONS WITH STANDARD EXHAUST 320-8974 GASKET, AND INTAKE AIR LINE GASKETS 7N-5089. THIS KIT DOES NOT CONTAIN INJECTOR SEALS, BREATHER SEALS, VALVE STEM SEALS, OR ROCKER ARM BUTTON SEALS. ORDER AS NEEDED

FOR USE WITH GS055- MACHINE S/N CAL1-UP, GS056- MACHINE S/N FDR1-UP, E258- ENGINE S/N 95Y1-UP, ENGINE ARRANGEMENTS: 143-5189, 4W-0280, 7N-8704, 8N-5810, E260- ENGINE S/N 97Y1-UP, E261- ENGINE S/N 49Y1-UP, ENGINE ARRANGEMENTS: 4W-0282, 8N-5805, E263- ENGINE S/N 51Y-UP, ENGINE ARRANGEMENTS: 2W-8863, 8N-5803, E264- ENGINE S/N 27Z1-UP, ENGINE ARRANGEMENTS: 8N-0461, 4W-0284, 135-4467, 135-4468, E265- ENGINE S/N 29Z1-UP, ENGINE ARRANGEMENTS: 2W-8864, 8N-0464, 8N-5813, E266- ENGINE S/N 28Z1-UP, ENGINE ARRANGEMENTS: 2W-8865, 8N-0465, E273- ENGINE S/N 23Z1-UP, ENGINE ARRANGEMENTS: 2W-8046, 7C-1299, 7C-4594, 7N-8701, E274- ENGINE S/N 24Z1-UP, ENGINE ARRANGEMENTS: 2W-8405, 7C-1300, 7C-5185, 8N-5806, E275- ENGINE S/N 25Z1-UP, ENGINE ARRANGEMENTS: 107-7346, 107-7350, 2W-8404, 4P-4444, 6I-2939, 7C-1301, 7C-5186, 8N-0462, 8N-0463, E301- ENGINE S/N 68Z1-UP, ENGINE ARRANGEMENTS: 1W-4210, 1W-4214, 4W-0281, E303- ENGINE S/N 70Z1-UP, ENGINE ARRANGEMENTS: 1W-4211, 2W-8867, E304- ENGINE S/N 65Z1-UP, ENGINE ARRANGEMENTS: 1W-4216, 4W-0283, E305- ENGINE S/N 71Z1-UP, E306- ENGINE S/N 67Z1-UP, E307- ENGINE S/N 71Z1-UP, E308- ENGINE S/N 72Z1-UP, ENGINE ARRANGEMENTS: 1W-4225, 1W-4227, 2W-8870, E309- ENGINE S/N 73Z1-UP, ENGINE ARRANGEMENTS: 1W-4223, 1W-4224, 2W-8871, E387- ENGINE S/N 2WK1-77, E390- ENGINE S/N 6TJ1-13, RM388- ENGINE S/N 99W1-UP, MACHINE S/N 6JC1-UP, RM389- ENGINE S/N 99W1-UP, MACHINE S/N 4YC1-UP, RM413- ENGINE S/N 96Z1-UP, MACHINE S/N 8GB1-UP, RM415- ENGINE S/N 54Z1-UP, MACHINE S/N 9ZC1-UP, T403- ENGINE S/N 99W1-UP, MACHINE S/N 74Z1-UP, T534- ENGINE S/N 54Z1-UP, MACHINE S/N 9YF1-UP  
FIELD INSTALLATION

SMCS-1124

i06108237

NOTE	PART NUMBER	QTY	PART NAME						SEE PAGE
			1	2	3	4	5	6 (PRODUCT LEVEL)	
	2W-0752	1	GASKET						
	7E-3772	1	GASKET						
	7N-5089	1	GASKET						
	122-8856	1	GASKET (HOUSING, REGULATOR)						
	241-5928	2	GASKET						
	243-2288	2	GASKET						
	110-6991	1	GASKET-CYLINDER HEAD						
	320-8974	1	GASKET-EXHAUST MANIFOLD						
	7N-5080	1	GASKET-MANIFOLD						
	144-5692	1	GASKET-PLATE						
	272-0758	1	SEAL						
	420-0652	4	SEAL AS-WATER						
	420-0653	4	SEAL AS-WATER						
	127-2176	2	SEAL-INTEGRAL						
	2J-0157	2	SEAL-O-RING						
	6J-2245	1	SEAL-O-RING						
	2M-4453	4	SEAL-O-RING						
	3J-7354	4	SEAL-O-RING						
	5P-0840	2	SEAL-O-RING						
	6V-5101	1	SEAL-O-RING						
	6V-9769	2	SEAL-O-RING						
	214-7568	2	SEAL-O-RING						
	7N-6806	2	SEAL-RECTANGULAR						
	272-0757	1	SEAL-VALVE COVER						

# BASIC ENGINE

355-0769 KIT-CYLINDER HEAD GASKET (contd.)

106108237

NOTE	PART NUMBER	QTY	PART NAME 1 2 3 4 5 6 (PRODUCT LEVEL)	SEE PAGE
------	-------------	-----	--	-------------

FOR A LIST OF RELATED PARTS THAT MAY BE  
REQUIRED FOR THE ENGINE REBUILD TO THE KIT  
CONSIST, PLEASE VISIT

[HTTP://DEALER.CAT.COM/RELATED](http://DEALER.CAT.COM/RELATED)

<END>

# BASIC ENGINE

## 350-2143 KIT-ENGINE CONVERSION

S/N: 50Y647-1304

RELEASED TO PROVIDE A CONVERSION KIT TO UPGRADE THE MUI 2W-8862 ENGINE ARRANGEMENT  
TO EUI 100-8317 ENGINE ARRANGEMENT.. THIS KIT INTENDED TO BE USED IN CONJUNCTION  
WITH AN ENGINE OVERHAUL. REHS4159  
PART OF 376-3116 CONVERSION AR-ENGINE  
FIELD INSTALLATION

SMCS-1000

i05785655

NOTE	PART NUMBER	QTY	PART NAME						SEE PAGE
			1	2	3	4	5	6 (PRODUCT LEVEL)	
Y	247-8341	12	BASE GP-VALVE COVER						43
YR	176-7503	2	CONTROL GP-ENGINE ELECTRONIC						1406
YR	335-6220	12	CYLINDER HEAD GP						163
Y	132-6469	12	HARNES AS-WIRING (VALVE MECHANISM)						1447
Y	216-6217	1	HOUSING & REGULATOR GP (AFTERCOOLER)						643
YR	392-0206	12	INJECTOR GP-FUEL						1165
YR	424-3625	1	PUMP GP-AUXILIARY WATER						754
Y	119-4890	2	TURBOCHARGER GP						911
	0L-1143	9	BOLT (3/8-16X2.5-IN)						
	0L-1329	2	BOLT (1/2-13X3-IN)						
	0L-1351	10	BOLT (3/8-16X0.875-IN)						
	0L-2070	33	BOLT (3/8-16X2.25-IN)						
	0S-0509	35	BOLT (3/8-16X0.75-IN)						
	0S-1573	4	BOLT (1/2-13X4-IN)						
	0S-1588	8	BOLT (3/8-16X1.25-IN)						
	0S-1590	8	BOLT (3/8-16X2-IN)						
	0S-1594	43	BOLT (3/8-16X1-IN)						
	0S-1608	4	BOLT (3/8-16X3.75-IN)						
	0S-1615	12	BOLT (1/4-20X0.75-IN)						
	0S-1618	22	BOLT (5/16-18X1-IN)						
	0S-1619	2	BOLT (3/8-16X3-IN)						
	0T-0055	3	BOLT (3/8-16X4.25-IN)						
	0T-0065	3	BOLT (3/8-16X3.5-IN)						
	0T-0573	10	BOLT (3/8-16X2.75-IN)						
	1A-1460	4	BOLT (1/2-13X2-IN)						
	1A-2029	9	BOLT (3/8-16X1.125-IN)						
	1A-5822	2	BOLT (1/2-13X2.75-IN)						
	1A-5964	4	BOLT (3/8-16X4.5-IN)						
	1B-4218	6	WASHER (0.39X0.625X0.064-IN THK)						
	1B-7182	24	BOLT (5/16-18X1.25-IN)						
	1B-9575	8	BOLT (5/16-18X1.56-IN)						
	1C-2251	2	BOLT (3/8-16X1.87-IN)						
	1F-7958	8	NUT-FULL (1/2-13-THD)						
	1N-3872	1	SUPPORT						
	1N-4087	1	ELBOW						
	1T-0720	48	BOLT-12 POINT HEAD (3/8-16X1.25-IN)						
	1T-0765	1	BOLT (3/8-16X1-IN)						
	1W-8129	2	SUPPORT						
	2A-4639	26	BOLT (3/8-16X1.625-IN)						
	2A-5220	6	PLUG						
	2B-0947	8	BOLT (1/2-13X2.25-IN)						
	2B-2694	1	BOLT (5/16-18X2-IN)						
	2B-2695	1	BOLT (5/16-18X0.875-IN)						
	2M-0849	9	WASHER-HARD (13.5X25.5X5-MM THK)						

# BASIC ENGINE

350-2143 **KIT-ENGINE CONVERSION (contd.)**

**105785655**

NOTE	PART NUMBER	QTY	PART NAME						SEE PAGE
			1	2	3	4	5	6 (PRODUCT LEVEL)	
	<b>2P-1297</b>	1	TEE (FLARED)						
	<b>2P-7636</b>	2	CONNECTOR (3/4-16 STR-THD)						
	<b>2V-4387</b>	2	SPACER (10.312X25.4X23.11-MM THK)						
	<b>2W-0752</b>	1	GASKET						
	<b>2W-1053</b>	1	PLUG						
	<b>2W-3146</b>	12	FLANGE						
	<b>2W-5225</b>	2	FLANGE						
	<b>3B-1915</b>	6	BOLT (3/8-16X1.375-IN)						
	<b>3E-4352</b>	4	WASHER-HARD (8.8X20.5X2.5-MM THK)						
	<b>3E-6916</b>	96	NUT-FULL (3/8-16-THD)						
	<b>3J-5389</b>	2	PLUG (EXTERNAL)						
	<b>3J-7354</b>	2	SEAL-O-RING						
	<b>3P-6061</b>	1	GASKET						
	<b>3S-1223</b>	2	SEAL-O-RING						
	<b>3V-3308</b>	2	WASHER-HARD (10.2X20.5X2.5-MM THK)						
	<b>4F-7387</b>	1	SEAL-O-RING						
	<b>4L-8149</b>	2	GASKET						
	<b>4N-1320</b>	1	GASKET (ADAPTER)						
	<b>4P-0692</b>	6	CLAMP AS						
			(EACH INCLUDES)						
	<b>7C-2199</b>	1	CLAMP						
	<b>108-1434</b>	1	GROMMET						
	<b>4P-1491</b>	2	STRAP						
	<b>4P-1531</b>	2	FLANGE						
	<b>4P-2007</b>	4	SPACER (17X32X11.5-MM THK)						
	<b>4P-2163</b>	1	BRACKET						
	<b>4P-3563</b>	8	CLAMP AS						
			(EACH INCLUDES)						
	<b>4P-0726</b>	1	CLAMP						
	<b>108-1434</b>	1	GROMMET						
	<b>4P-3897</b>	2	MANIFOLD (INTERMEDIATE)						
	<b>4P-4616</b>	2	COUPLING						
	<b>4P-4642</b>	2	RETAINER-EYE						
	<b>4P-5296</b>	1	TUBE AS						
	<b>4P-5297</b>	1	TUBE AS						
	<b>4P-7680</b>	12	SPACER (10.5X22.5X15-MM THK)						
	<b>4S-5898</b>	12	SEAL-O-RING						
	<b>4W-0530</b>	6	RING-RETAINING						
	<b>4W-0531</b>	12	RETAINER						
	<b>4W-5890</b>	1	PLUG						
M	<b>5A-3604</b>	4	BOLT-SOCKET HEAD (M8X1.25X25-MM)						
	<b>5B-0841</b>	4	BOLT (5/8-18X1.75-IN)						
	<b>5B-2638</b>	2	BOLT (3/8-16X5.25-IN)						
	<b>5B-4399</b>	1	SEAL-O-RING						
	<b>5J-5793</b>	4	BOLT-12 POINT HEAD (1/2-13X2-IN)						
	<b>5M-2894</b>	208	WASHER-HARD (10.2X18.5X2.5-MM THK)						
	<b>5N-1939</b>	1	COVER						
	<b>5N-1940</b>	1	GASKET						
	<b>5P-0537</b>	12	WASHER-HARD (7.2X14.5X2-MM THK)						
	<b>5P-1075</b>	4	WASHER-HARD (10.2X22.5X3-MM THK)						
	<b>5P-2645</b>	1	ELBOW						
	<b>5P-2755</b>	4	BOLT-HIGH TEMPERATURE (3/8-16X2.75-IN)						

# BASIC ENGINE

350-2143 **KIT-ENGINE CONVERSION (contd.)**

**i05785655**

NOTE	PART NUMBER	QTY	PART NAME						SEE PAGE
			1	2	3	4	5	6 (PRODUCT LEVEL)	
	<b>5P-4295</b>	1	CLIP						
	<b>5P-4318</b>	1	ELBOW						
	<b>5P-7530</b>	12	SEAL-O-RING						
	<b>5P-7701</b>	2	SEAL-O-RING						
	<b>5P-7817</b>	1	SEAL-O-RING						
	<b>5P-8245</b>	12	WASHER-HARD (13.5X25.5X3-MM THK)						
	<b>5P-8247</b>	12	WASHER-HARD (17X32X3.5-MM THK)						
	<b>6H-1717</b>	1	BOLT (1/2-13X1.125-IN)						
	<b>6H-6698</b>	1	COVER						
	<b>6I-1418</b>	8	SPACER (8.2X12.7X28.7-MM THK)						
	<b>6J-2245</b>	12	SEAL-O-RING						
	<b>6J-2680</b>	6	SEAL-O-RING						
	<b>6V-0301</b>	2	ADAPTER						
	<b>6V-1454</b>	2	SEAL-O-RING						
	<b>6V-1903</b>	8	SEAL-O-RING						
	<b>6V-3348</b>	1	SEAL-O-RING						
M	<b>6V-4248</b>	8	BOLT (M10X1.5X25-MM)						
	<b>6V-4589</b>	3	SEAL-O-RING						
	<b>6V-4605</b>	8	LOCKNUT (5/8-11-THD)						
	<b>6V-4606</b>	4	BOLT-HIGH TEMPERATURE (5/8-11X2.75-IN)						
	<b>6V-5048</b>	2	SEAL-O-RING						
	<b>6V-5050</b>	3	SEAL-O-RING						
	<b>6V-5054</b>	2	SEAL-O-RING						
	<b>6V-5066</b>	1	SEAL-O-RING						
	<b>6V-5101</b>	12	SEAL-O-RING						
	<b>6V-5103</b>	8	SEAL-O-RING						
	<b>6V-5134</b>	4	SEAL-O-RING						
	<b>6V-6228</b>	36	SEAL-O-RING						
	<b>6V-6609</b>	2	SEAL-O-RING						
	<b>6V-9027</b>	2	SEAL-O-RING						
	<b>7C-7909</b>	10	ELBOW (AIR INLET)						
	<b>7C-7910</b>	2	ELBOW (AIR INLET)						
	<b>7C-8199</b>	12	FLANGE						
	<b>7C-9597</b>	4	FLANGE						
	<b>7E-0015</b>	2	COVER						
	<b>7E-1078</b>	1	TUBE AS						
	<b>7E-1079</b>	1	TUBE AS						
	<b>7E-1456</b>	2	CONNECTOR						
	<b>7E-2326</b>	2	SEAL-RING						
	<b>7E-2580</b>	12	CLAMP-INJECTOR						
	<b>7E-2909</b>	2	ELBOW						
	<b>7E-2910</b>	2	BRACKET						
	<b>7E-6508</b>	12	CAP AS						
	<b>7E-7950</b>	1	PLATE						
	<b>7E-8973</b>	1	BRACKET						
	<b>7F-2060</b>	1	LOCKNUT (7/8-14-THD)						
	<b>7F-8698</b>	12	BOLT (7/16-14X3.5-IN)						
	<b>7K-1181</b>	1	STRAP-CABLE						
	<b>7K-3377</b>	1	PIPE						
	<b>7L-6443</b>	92	BOLT-HIGH TEMPERATURE (3/8-16X2.25-IN)						
	<b>7N-3297</b>	1	COVER						



# BASIC ENGINE

350-2143 **KIT-ENGINE CONVERSION (contd.)**

**i05785655**

NOTE	PART NUMBER	QTY	PART NAME						SEE PAGE
			1	2	3	4	5	6 (PRODUCT LEVEL)	
	<b>7N-3368</b>	1	GASKET						
	<b>7N-4782</b>	24	SPRING-LIFTER GUIDE						
	<b>7N-5080</b>	12	GASKET-MANIFOLD						
	<b>7W-6492</b>	1	PLUG-PIPE (1/2-14-THD)						
M	<b>7X-0457</b>	4	BOLT (M8X1.25X130-MM)						
	<b>7X-7731</b>	1	PLUG-PIPE (3/4-14-THD)						
	<b>8C-3445</b>	1	CAP-DUST						
	<b>8C-3446</b>	1	VALVE-SAMPLING						
	<b>8C-8491</b>	188	WASHER-HARD (10.2X22X3-MM THK)						
M	<b>8C-8581</b>	16	BOLT-HIGH TEMPERATURE (M10X1.5X30-MM)						
	<b>8D-7942</b>	24	BOLT-12 POINT HEAD (5/8-11X6.5-IN)						
	<b>8L-5423</b>	1	SPACER (0.406X1X0.712-IN THK)						
	<b>8M-0547</b>	2	ELBOW-FLARED (SWIVEL)						
	<b>8M-0744</b>	1	NUT-FLARED (1-1/16-12-THD)						
	<b>8M-0745</b>	1	REDUCER-FLARED						
	<b>8M-9024</b>	8	WASHER-HARD (10.2X22.5X5-MM THK)						
	<b>8N-0386</b>	1	FLANGE						
	<b>8N-1989</b>	1	TUBE						
	<b>8N-1992</b>	2	RETAINER						
	<b>8N-7639</b>	12	ELBOW						
	<b>8N-9885</b>	1	GASKET-COVER						
	<b>8N-9993</b>	1	COVER-CAMSHAFT						
	<b>8S-4951</b>	1	CAP (FLARED)						
	<b>8T-1919</b>	6	SEAL-O-RING						
	<b>8T-6761</b>	2	PLUG-PIPE (1-11-1/2 NPT THD)						
	<b>8T-6762</b>	11	PLUG-PIPE (1/2-14-THD)						
	<b>8T-6764</b>	2	PLUG-PIPE (1/8-27-THD)						
	<b>8T-6765</b>	3	PLUG-PIPE (1/4-18-THD)						
	<b>8T-7934</b>	16	WASHER-HARD (11X21X5-MM THK)						
	<b>8T-9655</b>	16	MOUNT-ISOLATION						
	<b>8X-2041</b>	1	FLANGE						
	<b>9F-2773</b>	10	BOLT (3/8-16X8.5-IN)						
	<b>9F-7707</b>	36	RING-RETAINING						
	<b>9L-7373</b>	48	BOLT-HIGH TEMPERATURE (3/8-16X2-IN)						
	<b>9L-9132</b>	22	WASHER (10.2X25.5X2.5-MM THK)						
	<b>9M-1974</b>	24	WASHER-HARD (8.8X16X2-MM THK)						
	<b>9N-0869</b>	10	WASHER-HARD (8.8X25.5X2-MM THK)						
	<b>9S-4182</b>	3	PLUG (7/16-20-THD)						
	<b>9S-4185</b>	2	PLUG (3/4-16-THD)						
	<b>9S-4188</b>	4	PLUG						
	<b>9S-8752</b>	27	NUT-FULL (3/8-16-THD)						
	<b>9X-0352</b>	12	RECEPTACLE AS-CONNECTOR (2-PIN)						
	<b>9X-6458</b>	16	WASHER-HARD (10.2X22.5X3-MM THK)						
	<b>9X-8285</b>	4	BOLT-HIGH TEMPERATURE (5/8-11X3.5-IN)						
	<b>9Y-0637</b>	1	BRACKET						
	<b>9Y-0860</b>	1	TUBE AS-SUPPLY						
	<b>9Y-6893</b>	2	GASKET						
	<b>9Y-7759</b>	1	TUBE-OIL DRAIN						
	<b>9Y-7760</b>	1	TUBE-OIL DRAIN						
	<b>9Y-8943</b>	2	ADAPTER-AIR CLEANER						
	<b>005-9702</b>	1	TEE-UNION						

# BASIC ENGINE

350-2143 **KIT-ENGINE CONVERSION (contd.)**

**i05785655**

NOTE	PART NUMBER	QTY	PART NAME						SEE PAGE
			1	2	3	4	5	6 (PRODUCT LEVEL)	
	<b>008-8381</b>	2	ELBOW						
	<b>030-3978</b>	1	CONNECTOR						
	<b>030-7972</b>	1	ELBOW						
	<b>030-7982</b>	1	UNION-FLARED						
	<b>061-7738</b>	1	TEE-FLARED (FLARED)						
	<b>100-3145</b>	1	MANIFOLD-EXHAUST (FRONT, RH)						
	<b>100-3146</b>	5	MANIFOLD-EXHAUST (INTERMEDIATE, RH)						
	<b>100-3147</b>	1	MANIFOLD-EXHAUST (FRONT, LH)						
	<b>100-3148</b>	4	MANIFOLD-EXHAUST (INTERMEDIATE, LH)						
	<b>100-3149</b>	1	MANIFOLD-EXHAUST (REAR, LH)						
	<b>100-3877</b>	12	RETAINER-SPRING						
	<b>100-3878</b>	12	SPRING-INJECTOR						
	<b>100-3879</b>	12	PUSHROD-INJECTOR						
	<b>100-3880</b>	24	PUSHROD-VALVE						
	<b>101-1198</b>	14	BEARING-CAMSHAFT						
	<b>101-1364</b>	2	GEAR AS-IDLER (69-TEETH)						
			(EACH INCLUDES)						
	<b>125-9751</b>	1	BUSHING						
	<b>101-1366</b>	1	SHAFT-GEAR (CLUSTER)						
	<b>101-1367</b>	2	SHAFT-IDLER						
	<b>101-1369</b>	2	GEAR-CAMSHAFT DRIVE (70-TEETH)						
	<b>101-1370</b>	1	GEAR-CRANKSHAFT (92-TEETH)						
	<b>101-4197</b>	9	COVER						
	<b>101-4199</b>	3	COVER AS						
	<b>107-3759</b>	2	SEAL						
	<b>107-6864</b>	2	BRACKET						
	<b>107-7954</b>	4	SPACER (10.2X22X8-MM THK)						
	<b>109-2332</b>	1	SEAL-O-RING						
	<b>109-7411</b>	2	SEAL-O-RING						
	<b>110-6995</b>	1	PLATE						
	<b>110-9538</b>	1	TUBE						
	<b>111-0349</b>	1	BRACKET-MODULE						
	<b>111-2077</b>	1	COVER						
	<b>111-2078</b>	2	STRAP						
	<b>111-3388</b>	1	TUBE AS						
	<b>111-3389</b>	1	TUBE AS						
	<b>111-3824</b>	1	TUBE AS						
	<b>111-3825</b>	2	TUBE AS						
	<b>111-5052</b>	1	BRACKET						
	<b>111-5056</b>	1	CONNECTOR						
	<b>111-8276</b>	1	MANIFOLD (REAR, LH)						
	<b>111-8277</b>	1	MANIFOLD (REAR, RH)						
	<b>111-9374</b>	1	HOUSING-REGULATOR						
	<b>114-2040</b>	1	ELBOW						
	<b>114-3372</b>	1	GEAR AS-CLUSTER (92/35-TEETH)						
	<b>101-1372</b>	1	BUSHING						
	<b>116-3249</b>	1	BRACKET						
	<b>117-0066</b>	1	BRACKET-MOUNTING						
	<b>119-0838</b>	12	SPACER (17.5X30.94X98-MM)						
	<b>119-0839</b>	12	SPACER (17.5X30.94X98-MM)						
	<b>119-7333</b>	1	HOUSING AS						
	<b>120-4344</b>	1	ADAPTER						

# BASIC ENGINE

350-2143 **KIT-ENGINE CONVERSION (contd.)**

**i05785655**

NOTE	PART NUMBER	QTY	PART NAME						SEE PAGE
			1	2	3	4	5	6 (PRODUCT LEVEL)	
	<b>120-7425</b>	1	FLANGE						
	<b>121-2022</b>	1	TUBE						
	<b>121-2023</b>	1	TUBE						
	<b>122-3374</b>	2	ELBOW (AIR INLET)						
	<b>122-3375</b>	1	PIPE-AIR						
	<b>122-3376</b>	1	PIPE-AIR						
	<b>122-8856</b>	2	GASKET						
	<b>124-1961</b>	2	COUPLING-PERMANENT						
	<b>125-2784</b>	2	ELBOW						
	<b>126-2209</b>	1	ELBOW-EXHAUST (LH)						
	<b>128-9506</b>	1	ELBOW-EXHAUST (RH)						
	<b>129-3083</b>	1	ELBOW						
	<b>129-9528</b>	1	PLATE						
	<b>133-8382</b>	12	BRACKET						
	<b>135-6912</b>	1	ELBOW-EXHAUST						
	<b>135-6913</b>	1	SUPPORT						
	<b>141-9285</b>	1	ELBOW						
	<b>154-1616</b>	1	MANIFOLD (FRONT, LH)						
	<b>154-1617</b>	1	MANIFOLD (FRONT, RH)						
	<b>154-6389</b>	36	BUTTON						
	<b>155-0461</b>	1	PLATE AS						
	<b>165-3929</b>	6	BOLT (3/8-16X1.5-IN)						
	<b>174-7088</b>	1	HOSE AS						
	<b>187-4606</b>	1	HOSE AS						
	<b>193-3286</b>	1	RETAINER-EYE						
	<b>196-5052</b>	5	CLIP (SLOT)						
	<b>196-5053</b>	5	CLIP (TAB)						
	<b>207-1364</b>	10	BELLOWS AS						
	<b>210-2532</b>	2	BELLOWS AS						
	<b>214-0731</b>	1	BRACKET						
	<b>222-9921</b>	1	HOUSING-FLYWHEEL						
	<b>228-7097</b>	1	SEAL-O-RING						
	<b>229-5332</b>	12	SEAL						
	<b>229-5333</b>	24	SEAL						
	<b>230-1072</b>	1	GASKET						
R	<b>230-2621</b>	24	ROCKER ARM AS						
			(EACH INCLUDES)						
	<b>8N-7197</b>	1	SOCKET-ARM						
	<b>230-2620</b>	1	BUSHING						
	<b>230-2633</b>	12	SHAFT AS (ROCKER ARM)						
			(EACH INCLUDES)						
	<b>155-4094</b>	1	PIN-SPRING						
	<b>235-3546</b>	1	SEAL-O-RING						
	<b>237-2712</b>	1	TUBE AS						
	<b>237-2713</b>	1	TUBE AS						
	<b>238-5080</b>	2	SEAL-O-RING						
	<b>240-7032</b>	12	SEAL						
	<b>241-5928</b>	12	GASKET						
	<b>243-2288</b>	4	GASKET						
	<b>252-8374</b>	4	GASKET						
	<b>272-0760</b>	21	SEAL-VALVE COVER						
R	<b>281-6159</b>	12	ROCKER ARM AS						

# BASIC ENGINE

350-2143 **KIT-ENGINE CONVERSION** (contd.)

**i05785655**

NOTE	PART NUMBER	QTY	PART NAME						SEE PAGE
			1	2	3	4	5	6 (PRODUCT LEVEL)	
			(EACH INCLUDES)						
	<b>8N-7197</b>	1	SOCKET-ARM						
	<b>230-2620</b>	1	BUSHING						
R	<b>282-7944</b>	12	LIFTER AS-INJECTOR						
	<b>282-8217</b>	1	CORE AS-AFTERCOOLER						
	<b>283-9599</b>	1	MANIFOLD (AIR INLET)						
	<b>284-1460</b>	1	SUPPORT AS						
R	<b>299-5204</b>	12	PISTON AS						
	<b>317-1121</b>	12	NUT-JAM (5/8-18-THD)						
	<b>359-4122</b>	1	ELBOW						
	<b>380-4843</b>	12	SCREW-ADJUSTING (5/8-18X2.375-IN)						
R	<b>416-8319</b>	24	LIFTER AS-VALVE						
R	<b>452-2501</b>	1	CAMSHAFT AS (REAR, RH)						
	<b>4N-1650</b>	1	DOWEL						
R	<b>452-2502</b>	1	CAMSHAFT AS (REAR, LH)						
	<b>5B-5821</b>	1	DOWEL						
R	<b>452-2503</b>	1	CAMSHAFT AS (FRONT, LH)						
	<b>4N-1650</b>	1	DOWEL						
R	<b>452-2504</b>	1	CAMSHAFT AS (FRONT, RH)						
	<b>5B-5821</b>	1	DOWEL						
	<b>457-0780</b>	2	FLANGE						

M - METRIC PART  
R - REMANUFACTURED PART MAY BE AVAILABLE  
Y - SEPARATE ILLUSTRATION

<END>

# BASIC ENGINE

## 357-1809 KIT-ENGINE CONVERSION

S/N: 50Y647-1304

**EMISSIONS UPGRADE GROUP RETROFIT THE 100-8317 EUI ENGINE ARRANGEMENT TO TIER II 320-0275 ENGINE ARRANGEMENT, TO BE USED IN CONJUNCTION WITH ENGINE OVERHAUL FOR USE WITH 3512B, 1600 RPM FIELD INSTALLATION**

**SMCS-1000**

**i07406257**

NOTE	PART NUMBER	QTY	PART NAME						SEE PAGE
			1	2	3	4	5	6 (PRODUCT LEVEL)	
Y	<b>231-9999</b>	1	BOX GP-JUNCTION						1345
YR	<b>335-6220</b>	12	CYLINDER HEAD GP						163
Y	<b>445-7603</b>	1	HARNESS AS-ENGINE (LH)						1430
Y	<b>445-7605</b>	1	HARNESS AS-ENGINE (RH)						1435
Y	<b>415-2430</b>	2	SENSOR GP-EXHAUST TEMPERATURE						1565
Y	<b>304-5666</b>	4	SENSOR GP-PRESSURE						1573
Y	<b>304-5667</b>	1	SENSOR GP-PRESSURE						1574
Y	<b>212-3426</b>	2	SENSOR GP-SPEED						1579
Y	<b>212-3423</b>	2	SENSOR GP-TEMPERATURE						1591
Y	<b>528-8390</b>	2	TURBOCHARGER GP						928
	<b>9X-0262</b>	1	ADAPTER						
	<b>8T-2353</b>	1	ADAPTER						
	<b>135-9941</b>	2	ADAPTER						
	<b>264-3073</b>	1	ADAPTER						
	<b>282-4165</b>	1	ADAPTER						
	<b>359-4123</b>	1	ADAPTER						
	<b>365-4215</b>	1	ADAPTER						
	<b>307-5472</b>	4	BELLOWS						
	<b>311-3548</b>	2	BELLOWS AS						
	<b>9X-8874</b>	2	BOLT (1/2-13X3-IN)						
	<b>0S-0509</b>	6	BOLT (3/8-16X0.75-IN)						
	<b>0S-1588</b>	12	BOLT (3/8-16X1.25-IN)						
	<b>0L-2070</b>	2	BOLT (3/8-16X2.25-IN)						
	<b>1D-4533</b>	2	BOLT (1/4-20X2.25-IN)						
	<b>0L-1143</b>	7	BOLT (3/8-16X2.5-IN)						
	<b>0L-2070</b>	5	BOLT (3/8-16X2.25-IN)						
	<b>165-3931</b>	6	BOLT (3/8-16X1.75-IN)						
	<b>0S-1585</b>	1	BOLT (1/2-13X1.5-IN)						
	<b>0S-1587</b>	2	BOLT (1/2-13X1.75-IN)						
	<b>0S-1590</b>	35	BOLT (3/8-16X2-IN)						
	<b>165-3929</b>	19	BOLT (3/8-16X1.5-IN)						
	<b>0S-1594</b>	16	BOLT (3/8-16X1-IN)						
	<b>0S-1595</b>	4	BOLT (1/2-13X1.25-IN)						
	<b>0T-0055</b>	2	BOLT (3/8-16X4.25-IN)						
	<b>2A-4639</b>	1	BOLT (3/8-16X1.625-IN)						
	<b>0S-1588</b>	9	BOLT (3/8-16X1.25-IN)						
	<b>1A-2029</b>	2	BOLT (3/8-16X1.125-IN)						
	<b>1A-5183</b>	2	BOLT (3/8-16X4.75-IN)						
	<b>1A-5822</b>	12	BOLT (1/2-13X2.75-IN)						
	<b>1A-9579</b>	8	BOLT (5/16-18X1.5-IN)						
	<b>1D-4540</b>	4	BOLT (5/16-18X2.75-IN)						
	<b>2B-2695</b>	1	BOLT (5/16-18X0.875-IN)						
	<b>6V-1612</b>	4	BOLT (1/2-13X9.75-IN)						
	<b>8J-5985</b>	10	BOLT (3/8-16X12.375-IN)						
	<b>8S-9191</b>	3	BOLT (3/8-16X4-IN)						

# BASIC ENGINE

357-1809 **KIT-ENGINE CONVERSION (contd.)**

**i07406257**

NOTE	PART NUMBER	QTY	PART NAME						SEE PAGE
			1	2	3	4	5	6 (PRODUCT LEVEL)	
	<b>9H-8260</b>	8	BOLT (1/2-13X6.25-IN)						
	<b>9L-2295</b>	12	BOLT-HIGH TEMPERATURE (3/8-16X1.5-IN)						
	<b>6W-2928</b>	1	BOSS						
	<b>345-7620</b>	1	BRACKET						
	<b>387-9473</b>	1	BRACKET						
	<b>388-0672</b>	1	BRACKET						
	<b>4P-9226</b>	1	BRACKET						
	<b>7E-6369</b>	1	BRACKET						
	<b>7N-4940</b>	2	BRACKET						
	<b>7W-2124</b>	2	BRACKET						
	<b>134-6275</b>	2	BRACKET						
	<b>231-7070</b>	1	BRACKET						
	<b>245-0522</b>	1	BRACKET						
	<b>245-0523</b>	2	BRACKET						
	<b>281-6008</b>	1	BRACKET						
	<b>281-6009</b>	1	BRACKET						
	<b>282-4209</b>	1	BRACKET						
	<b>253-6217</b>	1	BRACKET AS						
	<b>261-7296</b>	1	BRACKET AS						
	<b>284-1596</b>	1	BRACKET AS						
	<b>9G-5127</b>	1	BREATHER (ATMOSPHERIC) (ATMOSPHERIC)						
	<b>4W-3027</b>	1	BREATHER AS (CRANKCASE)						
	<b>118-1656</b>	1	BUSHING-REDUCER						
R	<b>283-5732</b>	1	CAMSHAFT AS						
	<b>4N-1650</b>	1	DOWEL						
R	<b>283-5738</b>	1	CAMSHAFT AS						
	<b>4N-1650</b>	1	DOWEL						
R	<b>308-5353</b>	1	CAMSHAFT AS						
	<b>5B-5821</b>	1	DOWEL						
R	<b>308-5355</b>	1	CAMSHAFT AS						
	<b>5B-5821</b>	1	DOWEL						
	<b>6V-9832</b>	1	CAP						
	<b>262-6104</b>	1	CAP AS-ENGINE OIL FILLER						
	<b>239-6808</b>	4	CLAMP (V-BAND)						
	<b>4P-0692</b>	2	CLAMP AS						
			(EACH INCLUDES)						
	<b>108-1434</b>	1	GROMMET						
	<b>4P-3563</b>	8	CLAMP AS						
			(EACH INCLUDES)						
	<b>108-1434</b>	1	GROMMET						
	<b>153-9481</b>	4	CLAMP AS						
	<b>374-8142</b>	4	CLAMP-BAND						
	<b>4W-3034</b>	1	CLAMP-HOSE						
	<b>5P-0597</b>	1	CLAMP-HOSE						
	<b>3A-3692</b>	2	CLIP						
	<b>4P-7581</b>	4	CLIP (LADDER)						
	<b>4P-8134</b>	24	CLIP (LADDER)						
	<b>139-1398</b>	2	CLIP (LOOP)						
	<b>6K-4934</b>	1	CLIP (SLOT)						
	<b>6K-4935</b>	1	CLIP (TAB)						
	<b>6V-1581</b>	1	CLIP (SLOT)						
	<b>6V-1582</b>	1	CLIP (TAB)						

# BASIC ENGINE

357-1809 **KIT-ENGINE CONVERSION (contd.)**

**i07406257**

NOTE	PART NUMBER	QTY	PART NAME						SEE PAGE
			1	2	3	4	5	6 (PRODUCT LEVEL)	
	<b>6V-1867</b>	3	CLIP (SLOT)						
	<b>6V-1868</b>	3	CLIP (TAB)						
	<b>6V-6758</b>	1	CLIP						
	<b>6V-6759</b>	1	CLIP						
	<b>7G-5984</b>	4	CLIP (TAB)						
	<b>7G-5985</b>	4	CLIP (SLOT)						
	<b>001-9440</b>	1	CONNECTOR						
	<b>6V-8716</b>	1	CONNECTOR (STRAIGHT)						
	<b>6V-9874</b>	2	CONNECTOR (STRAIGHT)						
	<b>8T-7494</b>	3	CONNECTOR (STRAIGHT)						
<b>R</b>	<b>348-2387</b>	1	CONTROL GP-ENGINE ELECTRONIC						
	<b>7X-6315</b>	1	STRAP AS-GROUND						
	<b>184-2472</b>	1	SCREW-PAN HEAD (8-32X0.375-IN)						
	<b>245-4622</b>	1	CORE AS-AFTERCOOLER						
	<b>285-8436</b>	1	COVER (AIR INLET)						
	<b>101-4199</b>	2	COVER AS						
	<b>133-6484</b>	1	COVER-BOX						
	<b>8N-9992</b>	1	COVER-CAMSHAFT						
	<b>179-1510</b>	1	COVER-SHIPPING						
	<b>5P-3426</b>	1	ELBOW						
	<b>6V-8626</b>	1	ELBOW						
	<b>6V-9007</b>	1	ELBOW						
	<b>6V-9853</b>	1	ELBOW						
	<b>137-8219</b>	1	ELBOW						
	<b>215-9090</b>	1	ELBOW (90-DEG)						
	<b>227-0056</b>	2	ELBOW						
	<b>282-4159</b>	1	ELBOW-EXHAUST						
	<b>230-1072</b>	1	GASKET						
	<b>1W-6356</b>	1	GASKET						
	<b>276-4666</b>	2	GASKET						
	<b>193-2120</b>	3	GROMMET						
	<b>278-6469</b>	4	GROMMET						
	<b>111-3684</b>	1	HOSE AS						
	<b>313-6221</b>	1	HOSE AS						
	<b>313-6222</b>	1	HOSE AS						
	<b>217-6692</b>	1	HOSE-TEE						
<b>R</b>	<b>392-0220</b>	12	INJECTOR GP-FUEL						
			(EACH INCLUDES)						
	<b>245-4907</b>	1	SEAL-O-RING						
	<b>245-4908</b>	1	SEAL-O-RING						
	<b>031-4155</b>	1	LOCKNUT (5/16-18-THD)						
	<b>415-5863</b>	1	MANIFOLD-EXHAUST						
	<b>415-5864</b>	1	MANIFOLD-EXHAUST						
	<b>4P-0870</b>	4	MOUNT-FLEXIBLE						
	<b>155-0576</b>	8	MOUNT-ISOLATION						
	<b>6V-9170</b>	1	NUT-BULKHEAD (1-14-THD)						
	<b>9S-8752</b>	3	NUT-FULL (3/8-16-THD)						
	<b>1F-7958</b>	1	NUT-FULL (1/2-13-THD)						
	<b>9S-8752</b>	24	NUT-FULL (3/8-16-THD)						
<b>R</b>	<b>374-2082</b>	12	PISTON AS						
	<b>117-9308</b>	2	PLATE						

# BASIC ENGINE

357-1809 **KIT-ENGINE CONVERSION (contd.)**

**i07406257**

NOTE	PART NUMBER	QTY	PART NAME						SEE PAGE
			1	2	3	4	5	6 (PRODUCT LEVEL)	
	<b>3J-5389</b>	3	PLUG (EXTERNAL)						
	<b>3K-8460</b>	1	PLUG (1/2-20-THD)						
	<b>8C-4423</b>	4	PLUG						
	<b>9S-4191</b>	1	PLUG (9/16-18-THD)						
	<b>9S-4185</b>	1	PLUG (3/4-16-THD)						
	<b>9S-4182</b>	2	PLUG (7/16-20-THD)						
	<b>9S-4190</b>	2	PLUG-O-RING (7/8-14-THD)						
	<b>8T-6761</b>	1	PLUG-PIPE (1-11-1/2 NPT THD)						
	<b>8T-6762</b>	1	PLUG-PIPE (1/2-14-THD)						
	<b>8T-6765</b>	1	PLUG-PIPE (1/4-18-THD)						
	<b>8T-6767</b>	1	PLUG-PIPE (3/8-18-THD)						
	<b>153-9963</b>	2	RING						
	<b>6V-5048</b>	5	SEAL-O-RING						
	<b>238-5081</b>	1	SEAL-O-RING						
	<b>1J-9671</b>	1	SEAL-O-RING						
	<b>3D-2824</b>	1	SEAL-O-RING						
	<b>3J-1907</b>	1	SEAL-O-RING						
	<b>3J-7354</b>	1	SEAL-O-RING						
	<b>3K-0360</b>	2	SEAL-O-RING						
	<b>5P-8210</b>	1	SEAL-O-RING						
	<b>136-7227</b>	2	SEAL-O-RING						
	<b>6V-5048</b>	2	SEAL-O-RING						
	<b>6V-9746</b>	19	SEAL-O-RING						
	<b>7M-8485</b>	2	SEAL-O-RING						
	<b>8C-3107</b>	2	SEAL-O-RING						
	<b>8T-7525</b>	8	SEAL-O-RING						
	<b>033-6031</b>	1	SEAL-O-RING						
	<b>214-7568</b>	8	SEAL-O-RING						
	<b>228-7091</b>	6	SEAL-O-RING						
	<b>228-7103</b>	2	SEAL-O-RING						
	<b>238-5081</b>	1	SEAL-O-RING						
	<b>272-0760</b>	2	SEAL-VALVE COVER						
	<b>2V-4387</b>	8	SPACER (10.312X25.4X23.11-MM THK)						
	<b>4S-5719</b>	1	SPACER (10.31X25X12.7-MM THK)						
	<b>6B-0933</b>	4	SPACER (10.31X19.05X6.35-MM THK)						
	<b>6B-6205</b>	1	SPACER (0.438X0.875X1.281-IN THK)						
	<b>9G-8140</b>	4	SPACER (10.5X25X15-MM THK)						
	<b>9R-5008</b>	1	SPACER (11X20X6-MM THK)						
	<b>9R-7882</b>	8	SPACER (14X25X7-MM THK)						
	<b>107-7954</b>	8	SPACER (10.2X22X8-MM THK)						
	<b>166-4116</b>	2	SPACER (10X16X20-MM THK)						
	<b>112-1567</b>	2	STRAP						
	<b>7K-1181</b>	39	STRAP-CABLE						
	<b>7N-6986</b>	1	SUPPORT						
	<b>316-2492</b>	1	SUPPORT						
	<b>310-1028</b>	2	TAG-INFORMATION						
	<b>8T-1685</b>	1	TEE						
	<b>6V-9350</b>	1	TEE-BULKHEAD						
	<b>6V-8791</b>	2	TEE-FACE SEAL						
	<b>1L-4031</b>	1	TEE-SERVICE						
	<b>6V-9839</b>	1	TEE-SWIVEL						



# BASIC ENGINE

357-1809 **KIT-ENGINE CONVERSION** (contd.)

**i07406257**

NOTE	PART NUMBER	QTY	PART NAME						SEE PAGE
			1	2	3	4	5	6 (PRODUCT LEVEL)	
	<b>268-0028</b>	1	TUBE						
	<b>282-4144</b>	1	TUBE						
	<b>307-8310</b>	1	TUBE						
	<b>8N-6326</b>	1	TUBE AS						
	<b>210-2535</b>	1	TUBE AS						
	<b>282-4134</b>	1	TUBE AS						
	<b>282-4140</b>	1	TUBE AS						
	<b>282-4141</b>	1	TUBE AS						
	<b>282-4142</b>	1	TUBE AS						
	<b>282-4145</b>	1	TUBE AS						
	<b>282-4146</b>	1	TUBE AS						
	<b>289-3571</b>	1	TUBE AS						
	<b>308-6822</b>	1	TUBE AS						
	<b>313-7143</b>	1	TUBE AS						
	<b>338-7519</b>	1	TUBE-AIR (RH)						
	<b>338-7520</b>	1	TUBE-AIR (LH)						
	<b>9L-9132</b>	3	WASHER (10.2X25.5X2.5-MM THK)						
	<b>110-8314</b>	160	WASHER (10.3X18.3X2.66-MM THK)						
	<b>5M-2894</b>	23	WASHER-HARD (10.2X18.5X2.5-MM THK)						
	<b>5P-0537</b>	2	WASHER-HARD (7.2X14.5X2-MM THK)						
	<b>5P-8245</b>	4	WASHER-HARD (13.5X25.5X3-MM THK)						
	<b>3V-3308</b>	6	WASHER-HARD (10.2X20.5X2.5-MM THK)						
	<b>5M-2894</b>	46	WASHER-HARD (10.2X18.5X2.5-MM THK)						
	<b>5P-8245</b>	22	WASHER-HARD (13.5X25.5X3-MM THK)						
	<b>9M-1974</b>	9	WASHER-HARD (8.8X16X2-MM THK)						
	<b>9N-0869</b>	1	WASHER-HARD (8.8X25.5X2-MM THK)						
	<b>9X-6458</b>	29	WASHER-HARD (10.2X22.5X3-MM THK)						
	<b>128-5993</b>	2	WASHER-THRUST						

R - REMANUFACTURED PART MAY BE AVAILABLE  
 Y - SEPARATE ILLUSTRATION

<END>

# BASIC ENGINE

## 305-2664 KIT-ENGINE GASKET-CENTRAL, LOWER STRUCTURE

KIT CONTAINS GASKETS, SEALS, AND BENDABLE LOCKS TO REINSTALL THE OIL PAN, INTERNAL OIL PUMP, AND BLOCK COVERS

FOR USE WITH 2W-8862-PAGE: 8, 8N-5802-PAGE: 15, 2W-8868-PAGE: 12  
FIELD INSTALLATION

SMCS-1000, 7555

i06009293

NOTE	PART NUMBER	QTY	PART NAME 1 2 3 4 5 6 (PRODUCT LEVEL)	SEE PAGE
	<b>6F-4868</b>	2	GASKET	
	<b>7N-4945</b>	3	GASKET	
	<b>9L-1480</b>	3	GASKET	
	<b>2W-0752</b>	2	GASKET	
	<b>230-1072</b>	1	GASKET	
	<b>7E-2630</b>	1	GASKET-OIL PAN	
	<b>272-0758</b>	12	SEAL	
	<b>272-0759</b>	12	SEAL	
	<b>5F-9657</b>	4	SEAL-O-RING	
	<b>6V-4368</b>	4	SEAL-O-RING	
	<b>7X-4805</b>	3	SEAL-O-RING	
	<b>8T-2928</b>	3	SEAL-O-RING	
	<b>8T-2929</b>	3	SEAL-O-RING	
	<b>214-7568</b>	6	SEAL-O-RING	
	<b>3P-0654</b>	4	SEAL-O-RING	
	<b>5P-7818</b>	1	SEAL-O-RING	
	<b>5P-8210</b>	2	SEAL-O-RING	
	<b>5P-8872</b>	1	SEAL-O-RING	
	<b>6V-4314</b>	1	SEAL-O-RING	
	<b>6V-5101</b>	3	SEAL-O-RING	
	<b>7X-1547</b>	2	SEAL-O-RING	
	<b>125-9794</b>	1	SEAL-O-RING	

FOR A LIST OF RELATED PARTS THAT REQUIRED FOR THE ENGINE REBUILD TO THE KIT CONSIST, PLEASE VISIT

[HTTP://DEALER.CAT.COM/RELATED](http://dealer.cat.com/related)

<END>

# BASIC ENGINE

## 457-6719 KIT-ENGINE GASKET-TURBOCHARGER

KIT CONTAINS GASKETS AND SEALS TO REINSTALL THE TURBOS AND ATTACHING LINES. KIT  
INCLUDES TURBO MOUNTING HARDWARE  
PART OF 494-1221, 494-1279 KIT-ENGINE OVERHAUL

SMCS-1000, 7555

i07142168

NOTE	PART NUMBER	QTY	PART NAME						SEE PAGE
			1	2	3	4	5	6 (PRODUCT LEVEL)	
	<b>2N-2765</b>	4	BOLT-HIGH TEMPERATURE (3/8-16X1.75-IN)						
	<b>121-5736</b>	1	GASKET (TURBOCHARGER)						
	<b>252-8374</b>	1	GASKET						
	<b>1S-4810</b>	1	GASKET-OIL DRAIN						
	<b>1S-6595</b>	1	GASKET-OIL SUPPLY						
	<b>391-2167</b>	4	LOCKNUT-FLANGE (3/8X16-THD)						
	<b>112-3540</b>	1	SEAL-O-RING						
	<b>6V-3319</b>	2	SEAL-O-RING						
	<b>6V-3917</b>	2	SEAL-O-RING						
	<b>136-7227</b>	1	SEAL-O-RING						
	<b>6V-5167</b>	2	SEAL-O-RING						

FOR A LIST OF RELATED PARTS THAT MAY BE  
REQUIRED FOR THE ENGINE REBUILD TO THE KIT  
CONSIST, PLEASE VISIT

[HTTP://DEALER.CAT.COM/RELATED](http://dealer.cat.com/related)

<END>

# BASIC ENGINE

## 457-7652 KIT-ENGINE GASKET-REAR COVER

S/N: 66Z190-578

**KIT CONTAINS GASKETS, SEALS, AND BENDABLE LOCKS TO REINSTALL THE REAR COVER. KIT DOES NOT INCLUDE THE OIL PAN GASKET FOR USE WITH 2W-8868-PAGE: 12 FIELD INSTALLATION**

SMCS-1000, 7555

i06705219

NOTE	PART NUMBER	QTY	PART NAME 1 2 3 4 5 6 (PRODUCT LEVEL)	SEE PAGE
	<b>4H-7869</b>	3	GASKET	
	<b>7N-3368</b>	1	GASKET	
	<b>7N-4320</b>	2	GASKET	
	<b>252-8374</b>	2	GASKET	
	<b>4B-8407</b>	4	GASKET-COPPER (FLYWHEEL HOUSING)	
	<b>1S-4810</b>	2	GASKET-OIL DRAIN	
	<b>436-1479</b>	1	SEAL-CRANKSHAFT (COUNTERCLOCKWISE ROTATION)	
	<b>234-8937</b>	2	SEAL-INTEGRAL	
	<b>2J-6274</b>	1	SEAL-O-RING	
	<b>3K-0360</b>	1	SEAL-O-RING	
	<b>5F-9657</b>	2	SEAL-O-RING	
	<b>5P-9890</b>	2	SEAL-O-RING	
	<b>6V-3348</b>	4	SEAL-O-RING	
	<b>7X-4805</b>	3	SEAL-O-RING	

FOR A LIST OF RELATED PARTS THAT MAY BE REQUIRED FOR THE ENGINE REBUILD TO THE KIT CONSIST, PLEASE VISIT

[HTTP://DEALER.CAT.COM/RELATED](http://dealer.cat.com/related)

<END>

# BASIC ENGINE

## 457-9709 KIT-ENGINE GASKET-FRONT COVER

KIT CONTAINS GASKETS, SEALS, AND BENDABLE LOCKS TO REINSTALL THE FRONT COVER. KIT  
DOES NOT INCLUDE THE OIL PAN GASKET

FOR USE WITH 2W-8862-PAGE: 8, 8N-5802-PAGE: 15, 2W-8868-PAGE: 12, 1W-4219-PAGE: 4  
FIELD INSTALLATION

SMCS-1000, 7555

i06171674

NOTE	PART NUMBER	QTY	PART NAME 1 2 3 4 5 6 (PRODUCT LEVEL)	SEE PAGE
	<b>1S-5772</b>	1	GASKET	
	<b>2N-0931</b>	4	GASKET	
	<b>4N-1320</b>	2	GASKET (ADAPTER)	
	<b>7J-8114</b>	1	GASKET	
	<b>7N-3049</b>	1	GASKET	
	<b>7N-3368</b>	1	GASKET	
	<b>7N-4932</b>	1	GASKET	
	<b>8N-1996</b>	1	GASKET	
	<b>8N-9885</b>	1	GASKET-COVER	
	<b>436-1478</b>	1	SEAL-CRANKSHAFT (CLOCKWISE ROTATION)	
	<b>1H-9696</b>	1	SEAL-O-RING	
	<b>5F-9657</b>	2	SEAL-O-RING	
	<b>5H-6734</b>	1	SEAL-O-RING	
	<b>5P-0840</b>	3	SEAL-O-RING	
	<b>5P-4892</b>	2	SEAL-O-RING	
	<b>6V-1454</b>	6	SEAL-O-RING	
	<b>6V-3348</b>	8	SEAL-O-RING	
	<b>6V-5066</b>	3	SEAL-O-RING	
	<b>6V-6809</b>	1	SEAL-O-RING	
	<b>6V-8260</b>	1	SEAL-O-RING	
	<b>8T-2903</b>	2	SEAL-O-RING	
	<b>214-7566</b>	1	SEAL-O-RING	
	<b>235-3546</b>	4	SEAL-O-RING	
	<b>259-4598</b>	6	SEAL-O-RING	
	<b>298-6387</b>	1	SEAL-O-RING	
	<b>5R-7136</b>	2	WASHER-SEALING	
	<b>5R-7137</b>	4	WASHER-SEALING	

FOR A LIST OF RELATED PARTS THAT MAY BE  
REQUIRED FOR THE ENGINE REBUILD TO THE KIT  
CONSIST, PLEASE VISIT

[HTTP://DEALER.CAT.COM/RELATED](http://dealer.cat.com/related)

<END>

# BASIC ENGINE

## 458-3417 KIT-ENGINE GASKET-SINGLE CYLINDER HEAD

KIT CONTAINS GASKETS, SEALS, AND BENDABLE LOCKS TO REBUILD AND REINSTALL A CYLINDER HEAD. KIT INCLUDES TURBO GASKET. KIT DOES NOT INCLUDE THE FUEL INJECTOR SEALS. ORDER A SINGLE INJECTOR SEAL KIT AS NEEDED. FOR IN-LINE 4 AND 6 CYLINDER ENGINES WITH ONE CYLINDER HEAD ONLY. KIT INCLUDES TURBO MOUNTING HARDWARE  
PART OF 494-1221, 494-1279 KIT-ENGINE OVERHAUL

SMCS-1000, 7555

i05962390

NOTE	REF NO	GRAPHIC REF	PART NUMBER	QTY	PART NAME						SEE PAGE
					1	2	3	4	5	6	
	1	1	<b>7E-3772</b>	1	GASKET						
	2	1	<b>7N-5089</b>	1	GASKET						
	3	1	<b>241-5928</b>	1	GASKET						
	4	1	<b>110-6991</b>	1	GASKET-CYLINDER HEAD						
	5	1	<b>7W-8145</b>	1	GASKET-EXHAUST MANIFOLD						
	6	1	<b>7N-5080</b>	1	GASKET-MANIFOLD						
	7	1	<b>144-5692</b>	1	GASKET-PLATE						
	8	1	<b>272-0758</b>	1	SEAL						
	9	1	<b>420-0652</b>	4	SEAL AS-WATER						
	10	1	<b>420-0653</b>	4	SEAL AS-WATER						
	11	1	<b>127-2176</b>	1	SEAL-INTEGRAL						
	12	1	<b>2J-0157</b>	2	SEAL-O-RING						
	13	1	<b>5P-0840</b>	2	SEAL-O-RING						
	14	1	<b>6V-5101</b>	1	SEAL-O-RING						
	15	1	<b>6V-9769</b>	1	SEAL-O-RING						
	16	1	<b>214-7568</b>	2	SEAL-O-RING						
	17	1	<b>7N-6806</b>	2	SEAL-RECTANGULAR						
	18	1	<b>272-0757</b>	1	SEAL-VALVE COVER						

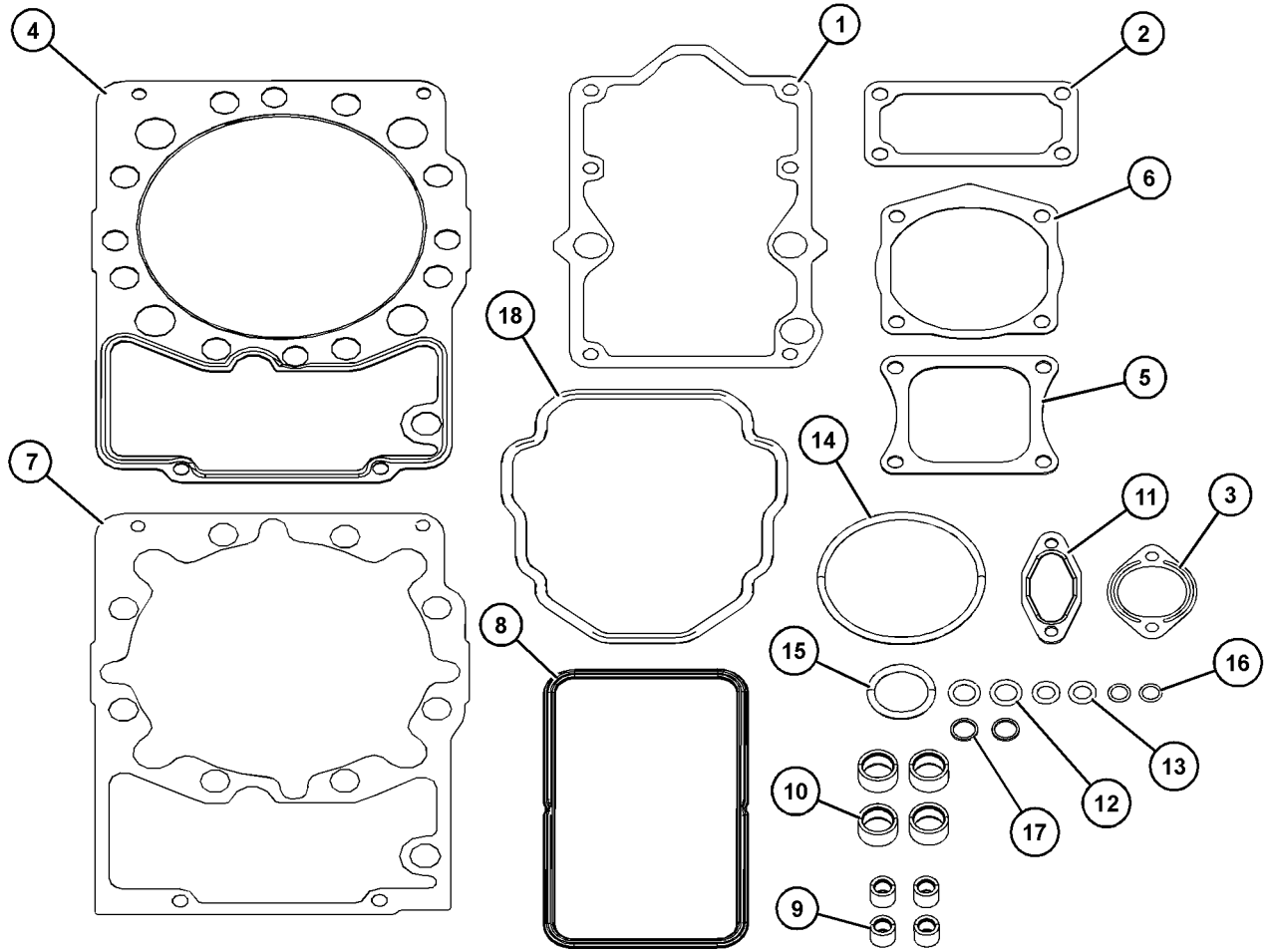
FOR A LIST OF RELATED PARTS THAT MAY BE REQUIRED FOR THE ENGINE REBUILD TO THE KIT CONSIST, PLEASE VISIT

[HTTP://DEALER.CAT.COM/RELATED](http://dealer.cat.com/related)

# BASIC ENGINE

458-3417 KIT-ENGINE GASKET (contd.)

i05962390



GRAPHIC #1

<END>

g03740610

# BASIC ENGINE

## 462-0787 KIT-ENGINE GASKET-REAR COVER

KIT CONTAINS GASKETS, SEALS, AND BENDABLE LOCKS TO REINSTALL THE REAR COVER. KIT  
DOES NOT INCLUDE THE OIL PAN GASKET

FOR USE WITH 2W-8862-PAGE: 8, 8N-5802-PAGE: 15, 1W-4219-PAGE: 4  
FIELD INSTALLATION

SMCS-1000, 7555

i07050612

NOTE	PART NUMBER	QTY	PART NAME 1 2 3 4 5 6 (PRODUCT LEVEL)	SEE PAGE
	4H-7869	3	GASKET	
	7N-3368	1	GASKET (REAR)	
	7N-4320	2	GASKET	
	252-8374	2	GASKET	
	4B-8407	7	GASKET-COPPER	
	436-1479	1	SEAL-CRANKSHAFT (COUNTERCLOCKWISE ROTATION)	
	234-8937	2	SEAL-INTEGRAL (FLYWHEEL HOUSING)	
	3K-0360	3	SEAL-O-RING	
	112-3540	2	SEAL-O-RING	
	6V-3348	4	SEAL-O-RING	
FOR A LIST OF RELATED PARTS THAT MAY BE REQUIRED FOR THE ENGINE REBUILD TO THE KIT CONSIST, PLEASE VISIT				
<a href="http://dealer.cat.com/related">HTTP://DEALER.CAT.COM/RELATED</a>				
<END>				

## 462-0795 KIT-ENGINE GASKET-OIL COOLER, LINES

KIT CONTAINS GASKETS AND SEALS TO ASSEMBLE AND REINSTALL THE OIL COOLERS, OIL FILTER  
BASE, AND ATTACHING LINES

FIELD INSTALLATION

SMCS-1000, 7555

i07317378

NOTE	PART NUMBER	QTY	PART NAME 1 2 3 4 5 6 (PRODUCT LEVEL)	SEE PAGE
	4N-1320	1	GASKET (ADAPTER)	
	7N-4945	1	GASKET	
	247-3796	2	GASKET	
	4B-8407	1	GASKET-COPPER	
	111-3820	1	RING-RETAINING	
	269-7885	3	SEAL-O-RING	
	5P-4892	3	SEAL-O-RING	
	5P-5846	1	SEAL-O-RING	
	6V-3908	1	SEAL-O-RING	
	6V-5048	1	SEAL-O-RING	
	6V-5066	4	SEAL-O-RING	
	6V-6609	2	SEAL-O-RING	
	8L-2786	1	SEAL-O-RING	
	109-2332	8	SEAL-O-RING	
	228-7097	1	SEAL-O-RING	
	238-5080	1	SEAL-O-RING	
FOR A LIST OF RELATED PARTS THAT MAY BE REQUIRED FOR THE ENGINE REBUILD TO THE KIT CONSIST, PLEASE VISIT				
<a href="http://dealer.cat.com/related">HTTP://DEALER.CAT.COM/RELATED</a>				
<END>				



# BASIC ENGINE

## 464-0895 KIT-ENGINE GASKET-OIL COOLER, LINES

KIT CONTAINS GASKETS AND SEALS TO ASSEMBLE AND REINSTALL THE OIL COOLERS, OIL FILTER  
BASE, AND ATTACHING LINES

FOR USE WITH 2W-8862-PAGE: 8, 2W-8868-PAGE: 12  
FIELD INSTALLATION

SMCS-1000, 7555

i07391160

NOTE	PART NUMBER	QTY	PART NAME 1 2 3 4 5 6 (PRODUCT LEVEL)	SEE PAGE
	4N-1320	1	GASKET (ADAPTER)	
	7N-4945	1	GASKET (BOTTOM, REAR)	
	247-3796	2	GASKET (ENGINE OIL COOLER)	
	4B-8407	1	GASKET-COPPER	
	111-3820	1	RING-RETAINING	
	269-7885	3	SEAL-O-RING	
	5P-4892	1	SEAL-O-RING	
	5P-5846	1	SEAL-O-RING	
	6V-3908	1	SEAL-O-RING	
	6V-5048	1	SEAL-O-RING	
	6V-5066	4	SEAL-O-RING	
	6V-6609	2	SEAL-O-RING	
	109-2332	8	SEAL-O-RING	
	228-7097	1	SEAL-O-RING	

FOR A LIST OF RELATED PARTS THAT MAY BE  
REQUIRED FOR THE ENGINE REBUILD TO THE KIT  
CONSIST, PLEASE VISIT

[HTTP://DEALER.CAT.COM/RELATED](http://dealer.cat.com/related)

<END>

## 465-8892 KIT-ENGINE GASKET-REAR COVER

KIT CONTAINS GASKETS, SEALS, AND BENDABLE LOCKS TO REINSTALL THE REAR COVER. KIT  
DOES NOT INCLUDE THE OIL PAN GASKET

PART OF 494-1221 KIT-ENGINE OVERHAUL  
FIELD INSTALLATION

SMCS-1000, 7555

i07440829

NOTE	PART NUMBER	QTY	PART NAME 1 2 3 4 5 6 (PRODUCT LEVEL)	SEE PAGE
	4H-7869	3	GASKET	
	7N-3368	1	GASKET	
	7N-4320	2	GASKET	
	252-8374	2	GASKET	
	4B-8407	7	GASKET-COPPER	
	1S-4810	2	GASKET-OIL DRAIN	
	436-1479	1	SEAL-CRANKSHAFT (COUNTERCLOCKWISE ROTATION)	
	234-8937	2	SEAL-INTEGRAL	
	3K-0360	3	SEAL-O-RING	
	7X-4805	3	SEAL-O-RING	
	112-3540	2	SEAL-O-RING	

FOR A LIST OF RELATED PARTS THAT MAY BE  
REQUIRED FOR THE ENGINE REBUILD TO THE KIT  
CONSIST, PLEASE VISIT

[HTTP://DEALER.CAT.COM/RELATED](http://dealer.cat.com/related)

<END>

# BASIC ENGINE

## 494-1221 KIT-ENGINE OVERHAUL FIELD INSTALLATION

SMCS-1000

i07334185

NOTE	PART NUMBER	QTY	PART NAME						SEE PAGE
			1	2	3	4	5	6 (PRODUCT LEVEL)	
Y	457-6719	2	KIT-ENGINE GASKET (TURBOCHARGER)						313
Y	458-3417	12	KIT-ENGINE GASKET (SINGLE CYLINDER HEAD)						316
Y	465-8892	1	KIT-ENGINE GASKET (REAR COVER)						319
Y	492-0914	1	KIT-GASKET						2136
Y	492-5099	1	KIT-GASKET						2138
	116-1359	14	BEARING-CAMSHAFT						
	4F-7226	12	BOLT (7/16-14X4-IN)						
	4W-3027	3	BREATHER AS (CRANKCASE)						
	140-9597	1	BUSHING						
	1R-0726	3	FILTER ELEMENT AS-ENGINE OIL (STANDARD EFFICIENCY)						
	1R-0756	5	FILTER ELEMENT-FUEL (ADVANCED EFFICIENCY)						
	1W-1251	5	GASKET						
	1W-1253	2	GASKET						
	2W-0752	1	GASKET						
	4W-3100	1	GASKET						
	6F-4868	2	GASKET						
	7E-6016	4	GASKET						
	7N-4945	3	GASKET						
	8N-2410	1	GASKET						
	9L-1480	2	GASKET						
	9Y-8389	1	GASKET						
	122-8856	2	GASKET						
	230-1072	2	GASKET						
	243-2288	4	GASKET						
	7N-4927	1	GASKET-HOUSING COVER						
	7E-2630	1	GASKET-OIL PAN						
	7N-7697	2	PLUNGER AS						
			(EACH INCLUDES)						
	7M-1808	1	DOWEL						
	248-5513	4	REGULATOR-TEMPERATURE (92-DEG C)						
	272-0759	12	SEAL						
	3S-9643	4	SEAL-LIP TYPE						
	259-4600	3	SEAL-O-RING						
	5D-5957	3	SEAL-O-RING						
	5F-9657	4	SEAL-O-RING						
	5P-4892	4	SEAL-O-RING						
	5P-7818	1	SEAL-O-RING						
	5P-8210	1	SEAL-O-RING						
	5P-8872	1	SEAL-O-RING						
	6V-1454	6	SEAL-O-RING						
	6V-3348	8	SEAL-O-RING						
	6V-3907	4	SEAL-O-RING						
	447-7206	4	SEAL-O-RING						
	136-7227	2	SEAL-O-RING						
	6V-5048	5	SEAL-O-RING						
	6V-5066	2	SEAL-O-RING						
	6V-5101	2	SEAL-O-RING						
	6V-8001	1	SEAL-O-RING						
	6V-9027	3	SEAL-O-RING						

# BASIC ENGINE

494-1221 **KIT-ENGINE OVERHAUL** (contd.)

**i07334185**

NOTE	PART NUMBER	QTY	PART NAME						SEE PAGE
			1	2	3	4	5	6 (PRODUCT LEVEL)	
	<b>7M-9909</b>	2	SEAL-O-RING						
	<b>310-3954</b>	2	SEAL-O-RING						
	<b>7X-4805</b>	3	SEAL-O-RING						
	<b>8C-5209</b>	2	SEAL-O-RING						
	<b>8L-2786</b>	1	SEAL-O-RING						
	<b>8T-2928</b>	4	SEAL-O-RING						
	<b>8T-2929</b>	4	SEAL-O-RING						
	<b>033-6031</b>	3	SEAL-O-RING						
	<b>259-4598</b>	1	SEAL-O-RING						
	<b>214-7566</b>	1	SEAL-O-RING						
	<b>214-7568</b>	14	SEAL-O-RING						
	<b>228-7097</b>	1	SEAL-O-RING						
	<b>238-5080</b>	1	SEAL-O-RING						
	<b>238-5081</b>	6	SEAL-O-RING						
	<b>7N-6806</b>	4	SEAL-RECTANGULAR						
	<b>272-0757</b>	3	SEAL-VALVE COVER						
	<b>6B-9202</b>	2	SPRING						
	<b>7N-4782</b>	36	SPRING-LIFTER GUIDE						
	<b>8F-8858</b>	36	VALVE (BUTTON)						

Y - SEPARATE ILLUSTRATION

<END>

# BASIC ENGINE

## 494-1279 KIT-ENGINE OVERHAUL FIELD INSTALLATION

SMCS-1000

i06836667

NOTE	PART NUMBER	QTY	PART NAME 1 2 3 4 5 6 (PRODUCT LEVEL)	SEE PAGE
Y	457-6719	2	KIT-ENGINE GASKET (TURBOCHARGER)	313
Y	458-3417	12	KIT-ENGINE GASKET (SINGLE CYLINDER HEAD)	316
Y	304-7216	1	KIT-GASKET (WATER PUMP)	2135
Y	492-0914	1	KIT-GASKET	2136
	4F-7226	12	BOLT (7/16-14X4-IN)	
	4W-3027	3	BREATHER AS (CRANKCASE)	
	1R-0726	3	FILTER ELEMENT AS-ENGINE OIL (STANDARD EFFICIENCY)	
	1R-0756	5	FILTER ELEMENT-FUEL (ADVANCED EFFICIENCY)	
	1W-1251	5	GASKET	
	1W-1253	2	GASKET	
	4W-3100	1	GASKET	
	8N-2410	1	GASKET	
	9Y-8389	1	GASKET	
	230-1072	2	GASKET	
	7N-4927	1	GASKET-HOUSING COVER	
	248-5513	4	REGULATOR-TEMPERATURE (92-DEG C)	
	3S-9643	4	SEAL-LIP TYPE	
	5D-5957	3	SEAL-O-RING	
	5P-4892	4	SEAL-O-RING	
	6V-1454	6	SEAL-O-RING	
	6V-3907	4	SEAL-O-RING	
	6V-4589	1	SEAL-O-RING	
	6V-5048	5	SEAL-O-RING	
	6V-5066	2	SEAL-O-RING	
	6V-8001	1	SEAL-O-RING	
	6V-9027	3	SEAL-O-RING	
	7M-9909	2	SEAL-O-RING	
	8C-5209	2	SEAL-O-RING	
	8L-2786	1	SEAL-O-RING	
	033-6031	3	SEAL-O-RING	
	214-7566	1	SEAL-O-RING	
	214-7568	7	SEAL-O-RING	
	238-5080	1	SEAL-O-RING	
	238-5081	6	SEAL-O-RING	
	7N-6806	4	SEAL-RECTANGULAR	
	272-0757	3	SEAL-VALVE COVER	
	7N-4782	36	SPRING-LIFTER GUIDE	
	8F-8858	36	VALVE (BUTTON)	

Y - SEPARATE ILLUSTRATION

<END>

# BASIC ENGINE

## 7E-6872 LIFTING GP-ENGINE

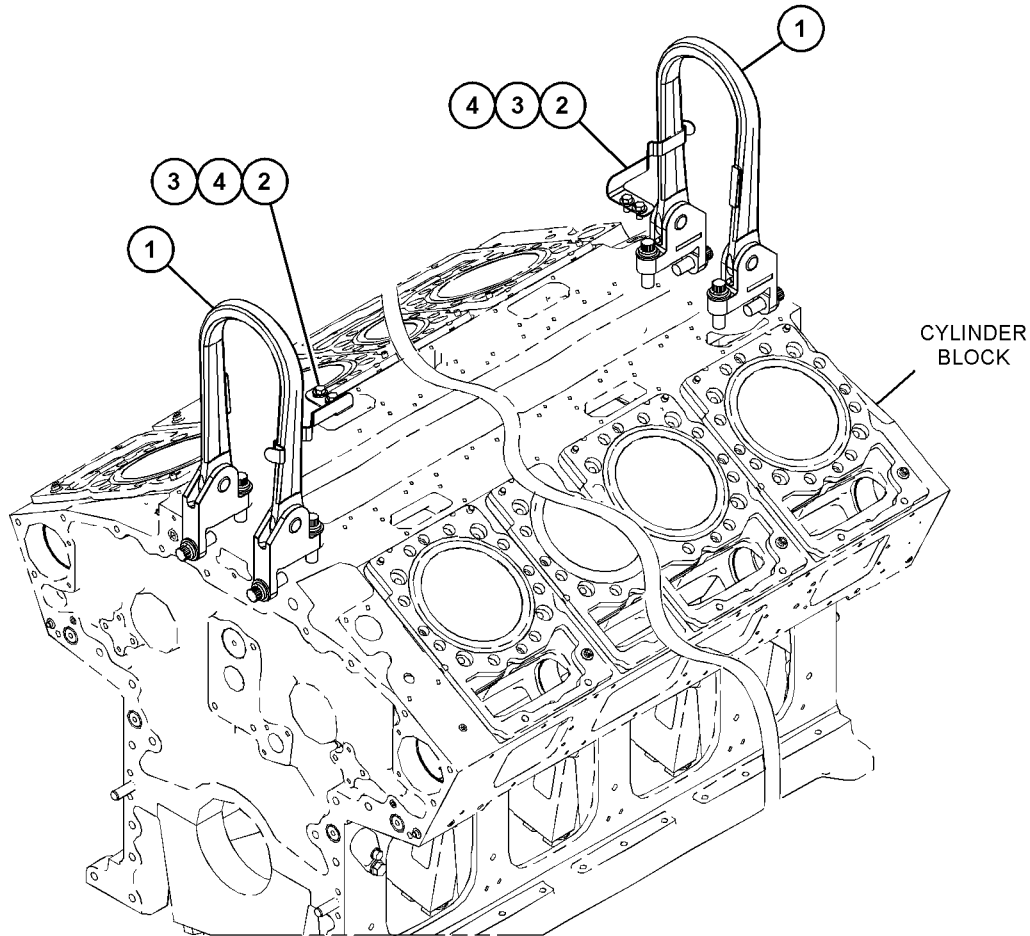
S/N: 50Y647-1304

PART OF 357-0858, 376-4849 ENGINE AR-COMLETE

SMCS-1122

i07142521

NOTE	REF NO	GRAPHIC REF	PART NUMBER	QTY	PART NAME						SEE PAGE
					1	2	3	4	5	6 (PRODUCT LEVEL)	
	1	1	<b>150-7972</b>	2	EYE AS-LIFTING						
		1	<b>7N-2326</b>	1	EYE-LIFTING						
		1	<b>7N-2328</b>	2	DOWEL						
		1	<b>155-0726</b>	1	BRACKET AS						
		1	<b>5P-8248</b>	4	WASHER-HARD (20X36.5X3.5-MM THK)						
		1	<b>5P-8291</b>	2	BOLT (3/4-16X2-IN)						
		1	<b>6V-9995</b>	2	BOLT-12 POINT HEAD (3/4-16X2.5-IN)						
2		1	<b>516-8837</b>	2	RETAINER (FRONT)						
3		1	<b>0S-0509</b>	4	BOLT (3/8-16X0.75-IN)						
4		1	<b>5P-1075</b>	4	WASHER-HARD (10.2X22.5X3-MM THK)						



GRAPHIC #1

<END>

g06235279

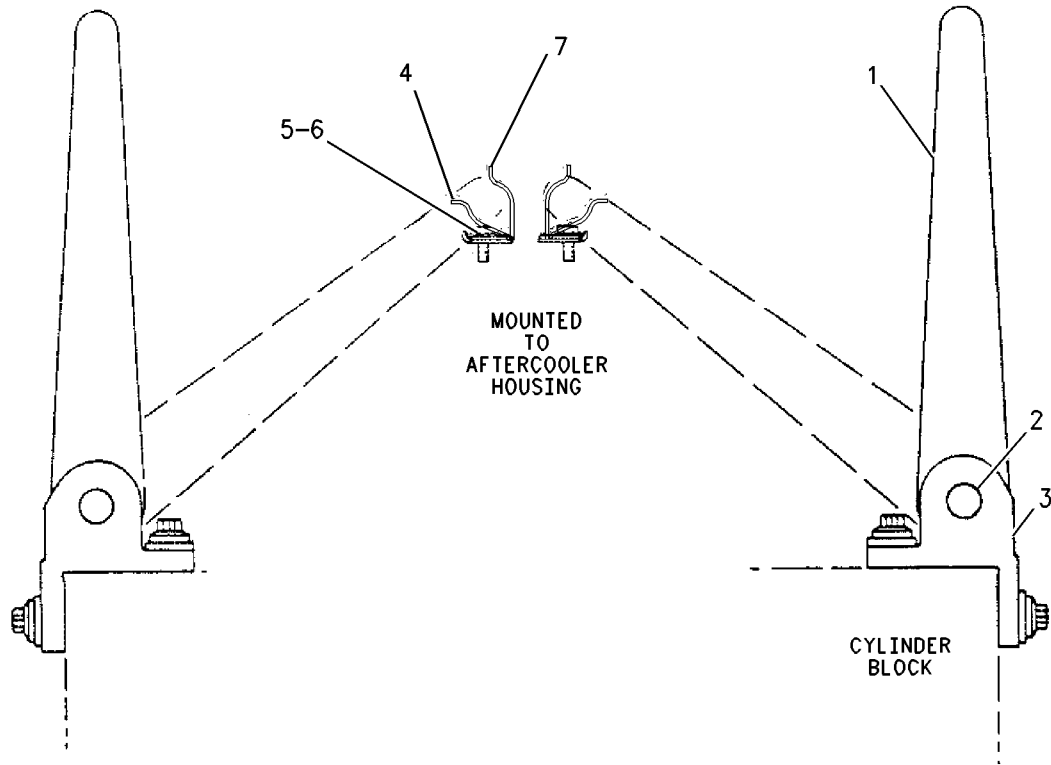
# BASIC ENGINE

## 8N-7734 LIFTING GP-ENGINE

SMCS-1122

i05565854

NOTE	REF NO	GRAPHIC REF	PART NUMBER	QTY	PART NAME						SEE PAGE
					1	2	3	4	5	6	
	1	1	<b>7N-2326</b>	2	EYE-LIFTING						
	2	1	<b>7N-2328</b>	4	DOWEL						
	3	1	<b>155-0726</b>	2	BRACKET AS						
	4	1	<b>8N-2408</b>	2	CLIP						
	5	1	<b>2B-2695</b>	4	BOLT (5/16-18X0.875-IN)						
	6	1	<b>9N-0869</b>	4	WASHER-HARD (8.8X25.5X2-MM THK)						
	7	1	<b>8N-2407</b>	2	CLIP						



GRAPHIC #1

<END>

g00760050

# BASIC ENGINE

## 123-8206 LINER-CYLINDER BLOCK

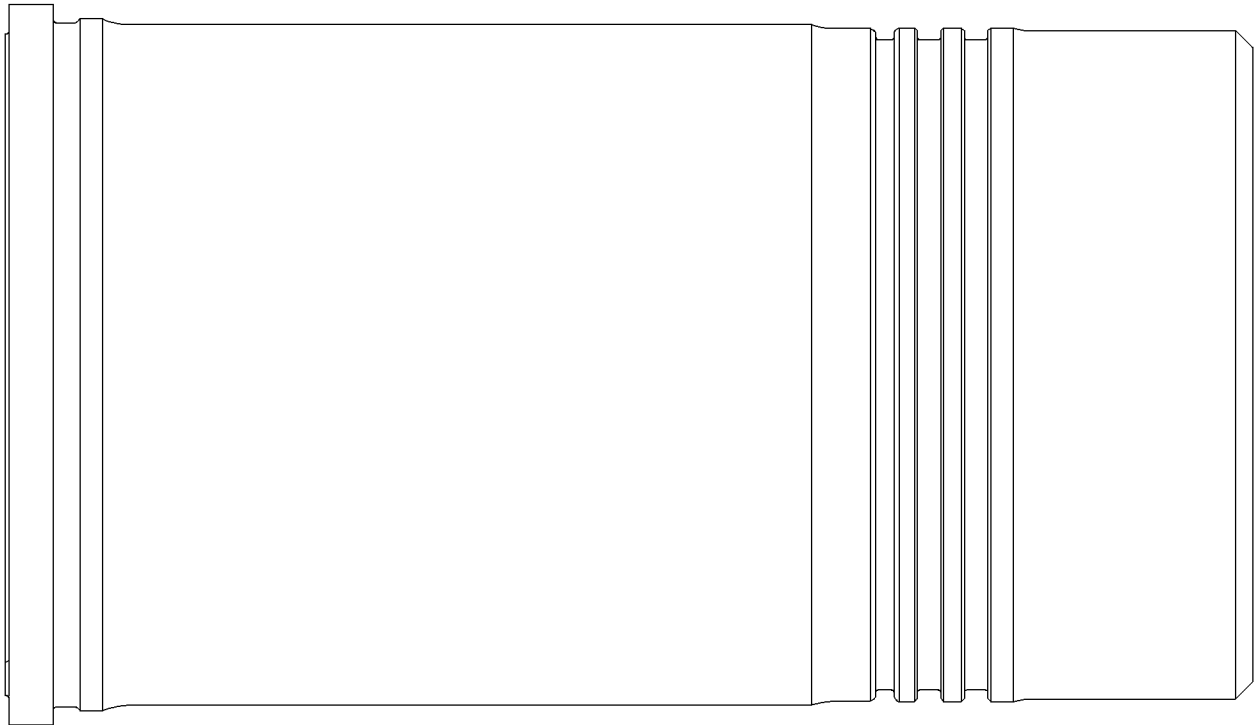
FOR USE WITH CYLINDER BLOCKS WHEN A WEAR STEP EXISTS AND REDECKING IS NOT AN OPTION  
FIELD INSTALLATION

SMCS-1201, 1216

i01422885

NOTE	REF NO	GRAPHIC REF	PART NUMBER	QTY	PART NAME	SEE PAGE
------	--------	-------------	-------------	-----	-----------	----------

(NO SERVICED PARTS)



GRAPHIC #1

<END>

g00746112

**BASIC ENGINE**

**6I-0335 MEMBRANE AS**

S/N: 50Y647-1304  
FIELD INSTALLATION

**SMCS-3279**

**i01424345**

NOTE	PART NUMBER	QTY	PART NAME	SEE PAGE
------	-------------	-----	-----------	----------

1 2 3 4 5 6 (PRODUCT LEVEL)

(NO SERVICED PARTS)

<END>

**6I-0336 MEMBRANE AS**

FIELD INSTALLATION

**SMCS-3279**

**i01424347**

NOTE	PART NUMBER	QTY	PART NAME	SEE PAGE
------	-------------	-----	-----------	----------

1 2 3 4 5 6 (PRODUCT LEVEL)

(NO SERVICED PARTS)

<END>



# BASIC ENGINE

## 1W-5048 MOUNTING GP-ALTERNATOR AN ATTACHMENT

SMCS-1154, 1405

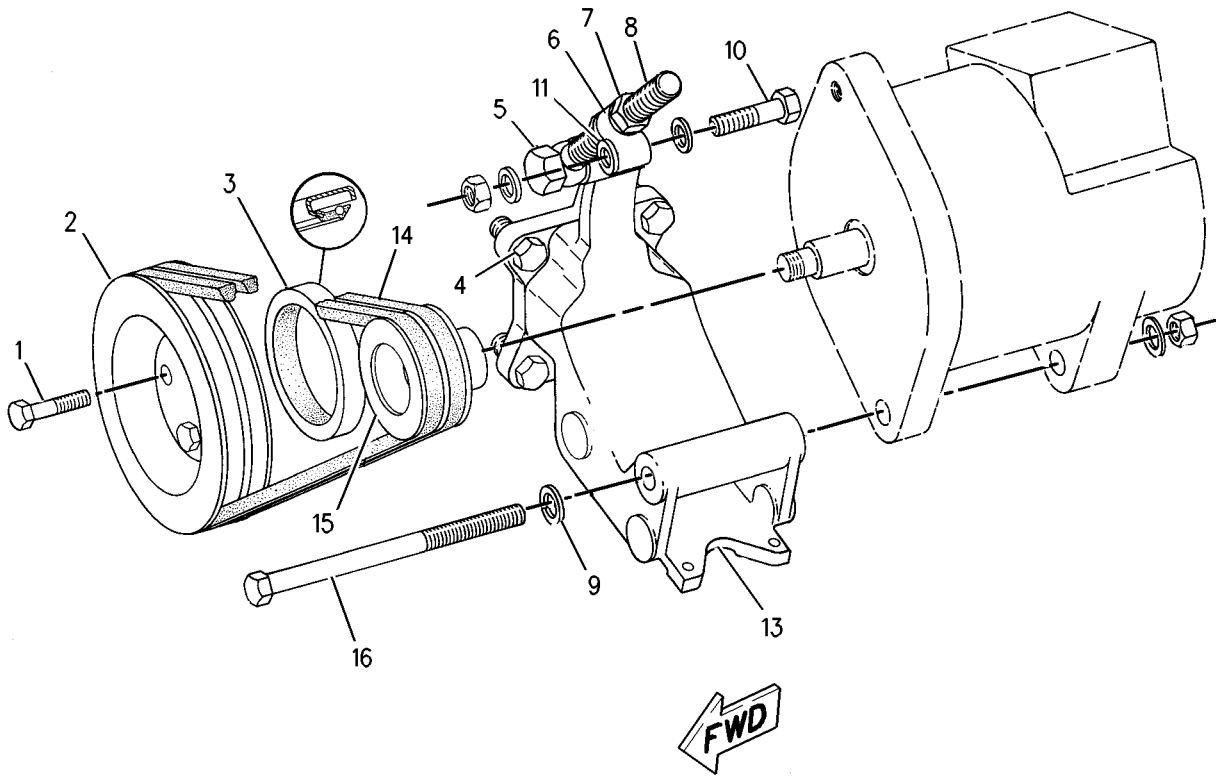
i01807101

NOTE	REF NO	GRAPHIC REF	PART NUMBER	QTY	PART NAME						SEE PAGE
					1	2	3	4	5	6 (PRODUCT LEVEL)	
	1	1	<b>0S-1571</b>	4	BOLT (3/8-16X1.75-IN)						
	2	1	<b>9Y-5286</b>	1	PULLEY AS						
		1	<b>053-5065</b>	1	SLEEVE						
	3	1	<b>6V-7196</b>	1	SEAL-LIP TYPE						
	4	1	<b>7B-3235</b>	4	BOLT (1/2-13X1.375-IN)						
	5	1	<b>1A-1135</b>	1	BOLT (5/8-11X2-IN)						
	6	1	<b>8S-5383</b>	1	BLOCK						
	7	1	<b>1D-4720</b>	2	NUT (5/8-11-THD)						
		1	<b>5P-8247</b>	2	WASHER-HARD (17X32X3.5-MM THK)						
	8	1	<b>1S-4589</b>	1	ROD						
	9	1	<b>5P-8245</b>	4	WASHER-HARD (13.5X25.5X3-MM THK)						
	10	1	<b>7D-9766</b>	1	BOLT (1/2-13X4.25-IN)						
	11	1	<b>7N-2597</b>	1	SPACER (13.5X25.4X8.08-MM THK)						
	12	1	<b>1D-4719</b>	2	NUT-FULL (1/2-13-THD)						
	13	1	<b>7N-5622</b>	1	SUPPORT-ALTERNATOR						
	14	1	<b>9L-4013</b>	1	V-BELT SET (INCLUDES 2-BELTS) (ALTERNATOR)						
	15	1	<b>1W-5049</b>	1	PULLEY						
	16	1	<b>1A-0168</b>	1	BOLT (1/2-13X7.5-IN)						

# BASIC ENGINE

1W-5048 MOUNTING GP-ALTERNATOR (contd.)

i01807101



GRAPHIC #1

<END>

g00922025

# BASIC ENGINE

## 7C-0504 MOUNTING GP-ALTERNATOR AN ATTACHMENT

SMCS-1154, 1405

i02390845

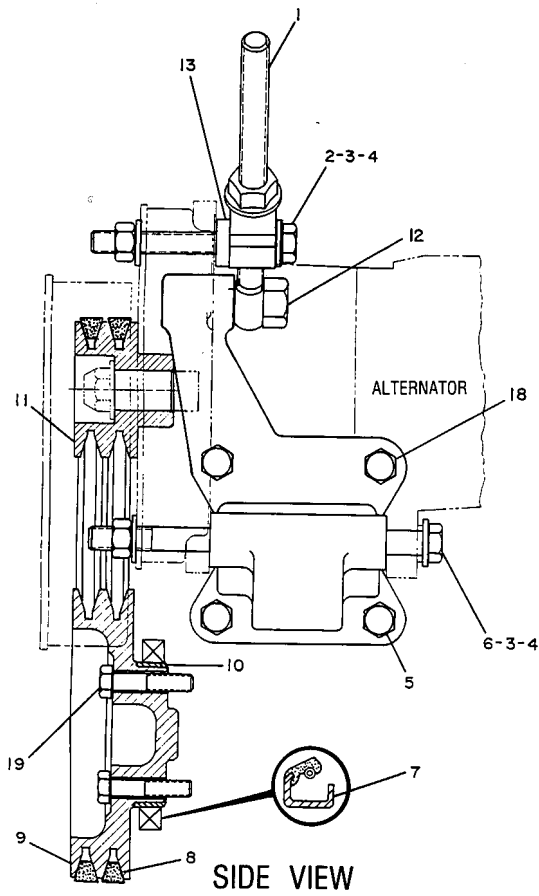
NOTE	REF NO	GRAPHIC REF	PART NUMBER	QTY	PART NAME						SEE PAGE
					1	2	3	4	5	6 (PRODUCT LEVEL)	
	1	1	<b>1S-4589</b>	1	ROD						
	2	1	<b>7D-9766</b>	1	BOLT (1/2-13X4.25-IN)						
	3	1	<b>5P-8245</b>	4	WASHER-HARD (13.5X25.5X3-MM THK)						
	4	1	<b>1D-4719</b>	2	NUT-FULL (1/2-13-THD)						
	5	1	<b>7B-3235</b>	2	BOLT (1/2-13X1.375-IN)						
	6	1	<b>1A-0168</b>	1	BOLT (1/2-13X7.5-IN)						
C	7	1	<b>6V-7196</b>	1	SEAL-LIP TYPE						
C	8	1	<b>9Y-7159</b>	1	V-BELT SET (INCLUDES 2-BELTS) (ALTERNATOR)						
C	9	1	<b>9Y-7158</b>	1	PULLEY AS						
	10	1	<b>053-5065</b>	1	SLEEVE						
C	11	1	<b>9Y-6023</b>	1	PULLEY						
	12	1	<b>1A-1135</b>	1	BOLT (5/8-11X2-IN)						
	13	1	<b>7N-2597</b>	1	SPACER (13.5X25.4X8.08-MM THK)						
	14	1	<b>1D-4720</b>	2	NUT (5/8-11-THD)						
	15	1	<b>5P-8247</b>	2	WASHER-HARD (17X32X3.5-MM THK)						
	16	1	<b>8S-5383</b>	1	BLOCK						
	17	1	<b>7C-2450</b>	1	SUPPORT-ALTERNATOR						
	18	1	<b>1A-1460</b>	2	BOLT (1/2-13X2-IN)						
	19	1	<b>0S-1571</b>	4	BOLT (3/8-16X1.75-IN)						

C - CHANGE FROM PREVIOUS TYPE

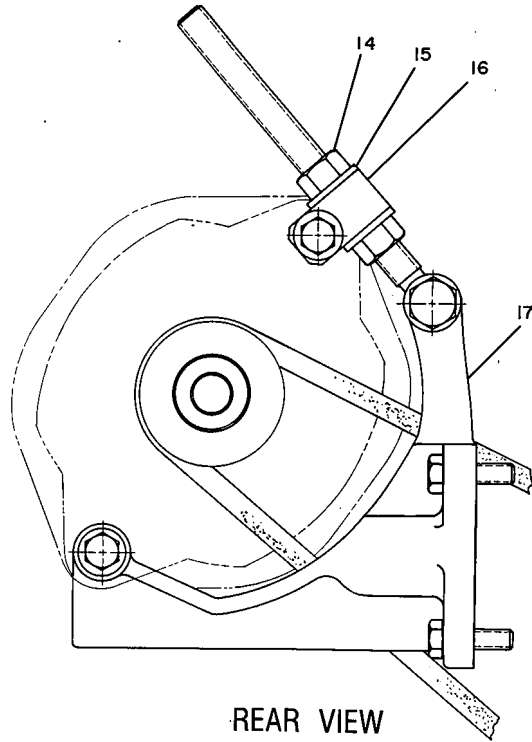
# BASIC ENGINE

7C-0504 MOUNTING GP-ALTERNATOR (contd.)

102390845



SIDE VIEW



REAR VIEW

GRAPHIC #1

<END>

g00099322

# BASIC ENGINE

## 7E-4836 MOUNTING GP-ALTERNATOR

AN ATTACHMENT

TYPE 1

SMCS-1154, 1405

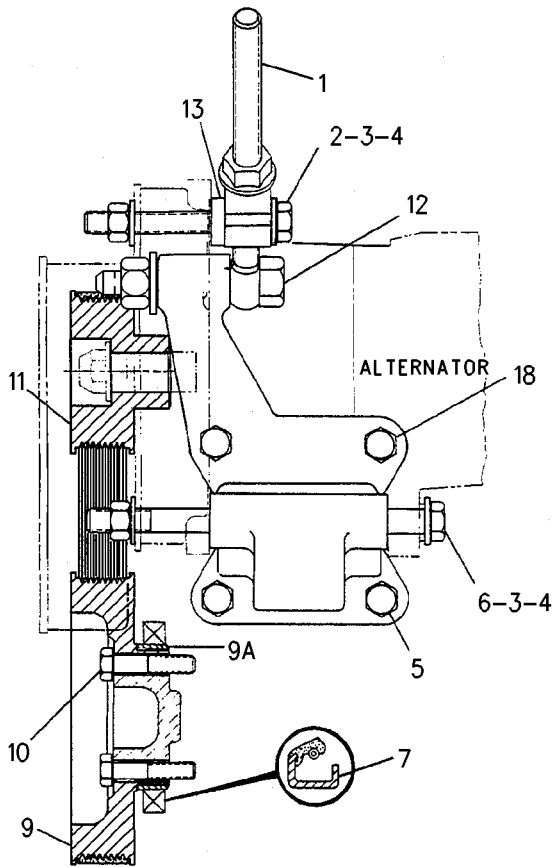
i04541643

NOTE	REF NO	GRAPHIC REF	PART NUMBER	QTY	PART NAME						SEE PAGE
					1	2	3	4	5	6 (PRODUCT LEVEL)	
	1	1	<b>1S-4589</b>	1	ROD						
	2	1	<b>7D-9766</b>	1	BOLT (1/2-13X4.25-IN)						
	3	1	<b>5P-8245</b>	4	WASHER-HARD (13.5X25.5X3-MM THK)						
	4	1	<b>1D-4719</b>	2	NUT-FULL (1/2-13-THD)						
	5	1	<b>7B-3235</b>	2	BOLT (1/2-13X1.375-IN)						
	6	1	<b>1A-0168</b>	1	BOLT (1/2-13X7.5-IN)						
	7	1	<b>9X-4612</b>	1	SEAL-LIP TYPE						
	8	1	<b>7E-4841</b>	1	BELT-SERPENTINE (ALTERNATOR)						
	9	1	<b>7E-4840</b>	1	PULLEY AS						
	9A	1	<b>053-5065</b>	1	SLEEVE						
		1	<b>7E-4838</b>		PULLEY (8-GROOVE)						
	10	1	<b>0S-1571</b>	4	BOLT (3/8-16X1.75-IN)						
	11	1	<b>7E-4839</b>	1	PULLEY (8-GROOVE)						
	12	1	<b>1A-1135</b>	1	BOLT (5/8-11X2-IN)						
	13	1	<b>7N-2597</b>	1	SPACER (13.5X25.4X8.08-MM THK)						
	14	1	<b>4K-0367</b>	2	NUT-FULL (5/8-11-THD)						
	15	1	<b>5P-8247</b>	2	WASHER-HARD (17X32X3.5-MM THK)						
	16	1	<b>8S-5383</b>	1	BLOCK						
	17	1	<b>7C-2450</b>	1	SUPPORT-ALTERNATOR						
	18	1	<b>1A-1460</b>	2	BOLT (1/2-13X2-IN)						

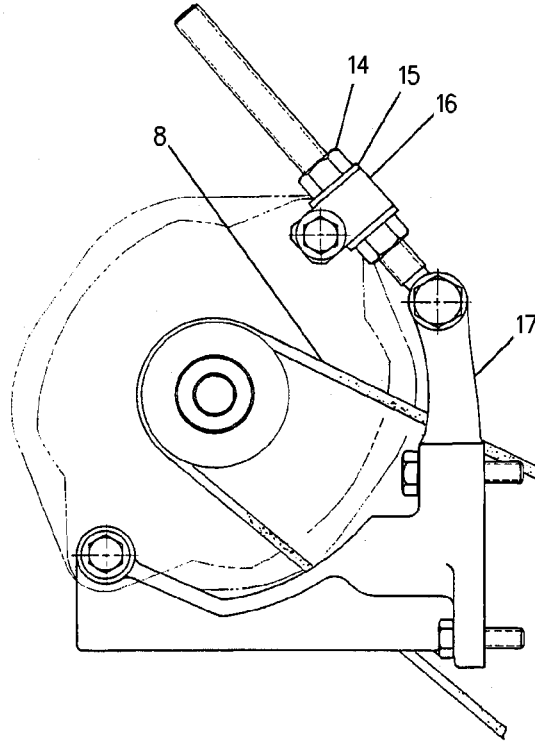
# BASIC ENGINE

7E-4836 MOUNTING GP-ALTERNATOR (contd.)

104541643



RIGHT SIDE VIEW



FRONT VIEW

GRAPHIC #1

<END>

g00720041

# BASIC ENGINE

## 7E-4836 MOUNTING GP-ALTERNATOR AN ATTACHMENT TYPE 2

SMCS-1154, 1405

i04315279

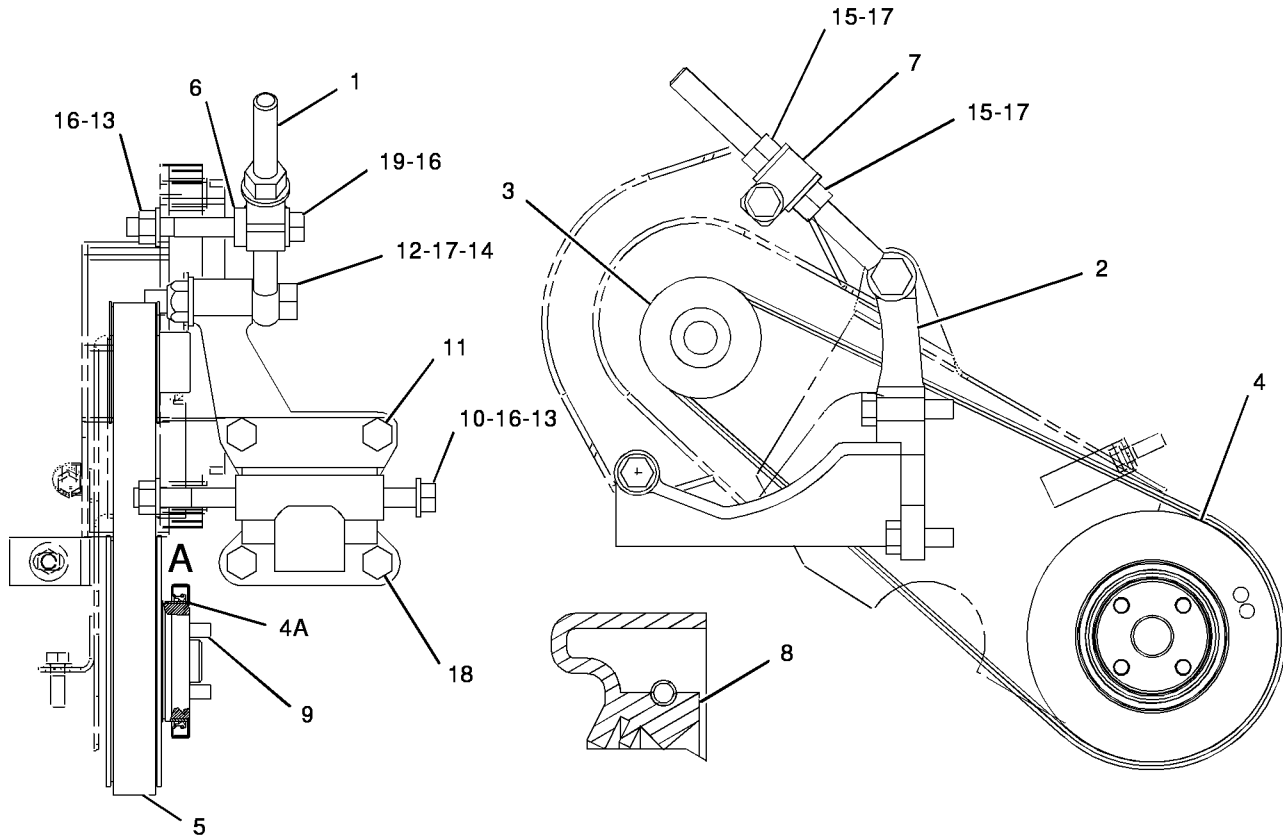
NOTE	REF NO	GRAPHIC REF	PART NUMBER	QTY	PART NAME						SEE PAGE
					1	2	3	4	5	6 (PRODUCT LEVEL)	
	1	1	<b>1S-4589</b>	1	ROD						
C	2	1	<b>4P-5211</b>	1	SUPPORT-ALTERNATOR						
	3	1	<b>7E-4839</b>	1	PULLEY (8-GROOVE)						
	4		<b>7E-4840</b>	1	PULLEY AS						
	4A	1	<b>053-5065</b>	1	SLEEVE						
		1	<b>7E-4838</b>	1	PULLEY (8-GROOVE)						
	5	1	<b>141-7116</b>	1	BELT-SERPENTINE (ALTERNATOR)						
	6	1	<b>7N-2597</b>	1	SPACER (13.5X25.4X8.08-MM THK)						
	7	1	<b>8S-5383</b>	1	BLOCK						
	8	1	<b>235-2484</b>	1	SEAL-LIP TYPE						
	9	1	<b>0S-1571</b>	4	BOLT (3/8-16X1.75-IN)						
	10	1	<b>1A-0168</b>	1	BOLT (1/2-13X7.5-IN)						
	11	1	<b>1A-1460</b>	2	BOLT (1/2-13X2-IN)						
C	12	1	<b>1D-4586</b>	1	BOLT (5/8-11X3.5-IN)						
C	13	1	<b>1F-7958</b>	2	NUT-FULL (1/2-13-THD)						
C	14	1	<b>3K-2889</b>	1	LOCKNUT (5/8-11-THD)						
	15	1	<b>4K-0367</b>	2	NUT-FULL (5/8-11-THD)						
	16	1	<b>5P-8245</b>	4	WASHER-HARD (13.5X25.5X3-MM THK)						
C	17	1	<b>5P-8247</b>	3	WASHER-HARD (17X32X3.5-MM THK)						
	18	1	<b>7B-3235</b>	2	BOLT (1/2-13X1.375-IN)						
	19	1	<b>7D-9766</b>	1	BOLT (1/2-13X4.25-IN)						

C - CHANGE FROM PREVIOUS TYPE

# BASIC ENGINE

7E-4836 MOUNTING GP-ALTERNATOR (contd.)

i04315279



**RIGHT SIDE VIEW**

**VIEW OF AREA A**

**FRONT VIEW**

GRAPHIC #1

<END>

g01012504



# BASIC ENGINE

## 4W-5823 MOUNTING GP-HYD PUMP DRIVE

S/N: 50Y652-1304

FOR USE WITH DAMPER GP (E264), ALL ENG AT OR BELOW 1450 RPM (E275)

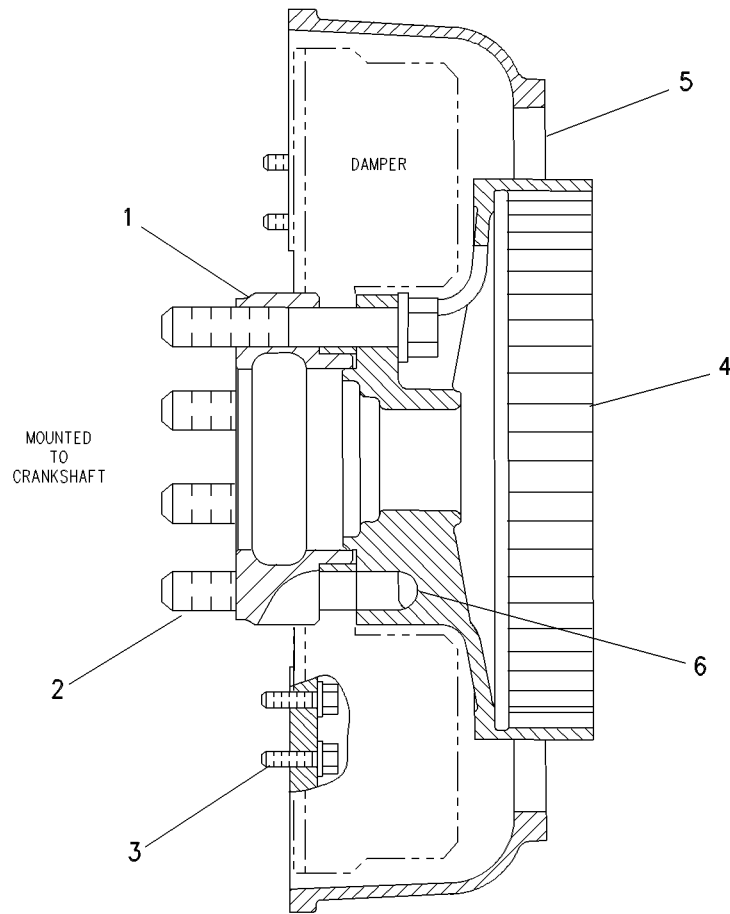
CANNOT BE USED WITH NON-CAT GEN & FPTO AT SPDS 1650 RPM

AN ATTACHMENT

SMCS-1207

i00969552

NOTE	REF NO	GRAPHIC REF	PART NUMBER	QTY	PART NAME						SEE PAGE
					1	2	3	4	5	6 (PRODUCT LEVEL)	
	1	1	<b>7W-0287</b>	1	ADAPTER-DAMPER						
	2	1	<b>5F-6932</b>	6	BOLT (1-14X7-IN)						
	3	1	<b>0S-1587</b>	10	BOLT (1/2-13X1.75-IN)						
		1	<b>5P-8245</b>	10	WASHER-HARD (13.5X25.5X3-MM THK)						
	4	1	<b>2W-8014</b>	1	COUPLING-FRONT PTO						
	5	1	<b>7W-0285</b>	1	ADAPTER AS-FRONT						
	6	1	<b>4N-0683</b>	2	DOWEL						



GRAPHIC #1

<END>

g00496241

# BASIC ENGINE

## 7W-0283 MOUNTING GP-HYD PUMP DRIVE

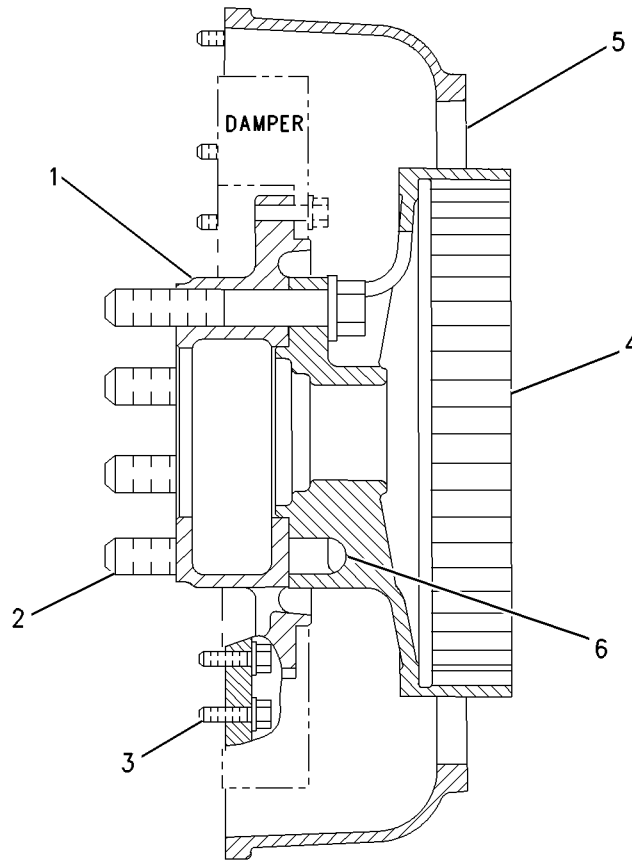
S/N: 66Z190-578

CANNOT BE USED WITH ATTACHMENT DAMPER GP  
AN ATTACHMENT

SMCS-1207

i01758034

NOTE	REF NO	GRAPHIC REF	PART NUMBER	QTY	PART NAME						SEE PAGE
					1	2	3	4	5	6 (PRODUCT LEVEL)	
	1	1	<b>7W-3415</b>	1	ADAPTER-DAMPER						
	2	1	<b>5F-6932</b>	6	BOLT (1-14X7-IN)						
	3	1	<b>5P-8250</b>	6	WASHER (28X49X5-MM THK)						
	4	1	<b>0S-1587</b>	10	BOLT (1/2-13X1.75-IN)						
	5	1	<b>5P-8245</b>	10	WASHER-HARD (13.5X25.5X3-MM THK)						
	6	1	<b>2W-8014</b>	1	COUPLING-FRONT PTO						
	7	1	<b>7W-0285</b>	1	ADAPTER AS-FRONT						
	8	1	<b>4N-0683</b>	2	DOWEL						



RIGHT SIDE VIEW

GRAPHIC #1

<END>

g00899261

# BASIC ENGINE

## 7W-0284 MOUNTING GP-HYD PUMP DRIVE

AN ATTACHMENT

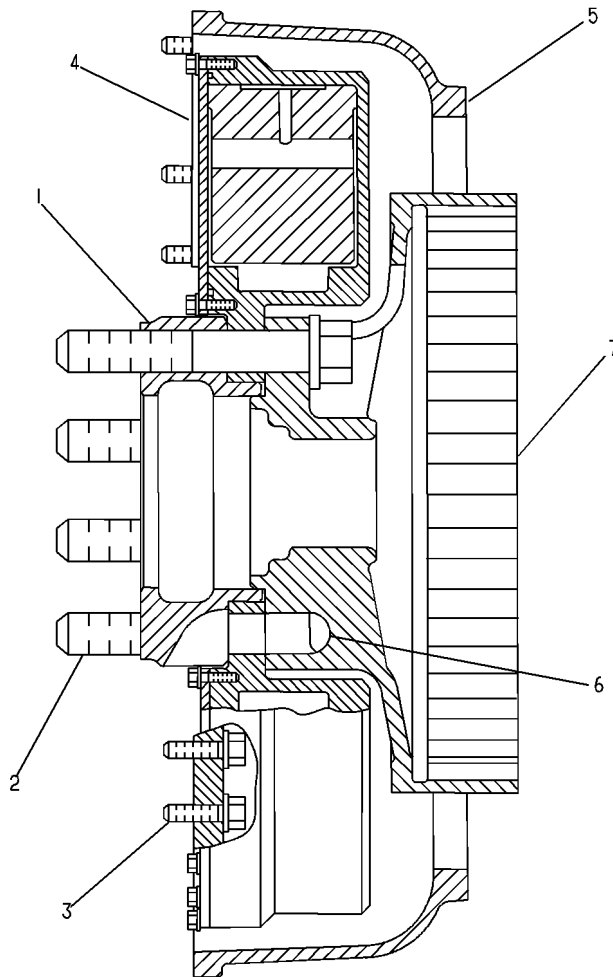
TYPE 1

SMCS-1207

i00653052

NOTE	REF NO	GRAPHIC REF	PART NUMBER	QTY	PART NAME						SEE PAGE
					1	2	3	4	5	6	
	1	1	<b>7W-0287</b>	1	ADAPTER-DAMPER						
	2	1	<b>5F-6932</b>	6	BOLT (1-14X7-IN)						
		1	<b>5P-8250</b>	6	WASHER (28X49X5-MM THK)						
	3	1	<b>0S-1587</b>	10	BOLT (1/2-13X1.75-IN)						
		1	<b>5P-8245</b>	10	WASHER-HARD (13.5X25.5X3-MM THK)						
Y	4	1	<i>1N-3500</i>	1	DAMPER GP						174
	5	1	<b>7W-0285</b>	1	ADAPTER AS-FRONT						
	6	1	<b>4N-0683</b>	2	DOWEL						
	7	1	<b>2W-8014</b>	1	COUPLING-FRONT PTO						

Y - SEPARATE ILLUSTRATION



GRAPHIC #1

<END>

g00172430

# BASIC ENGINE

## 7W-0284 MOUNTING GP-HYD PUMP DRIVE

AN ATTACHMENT

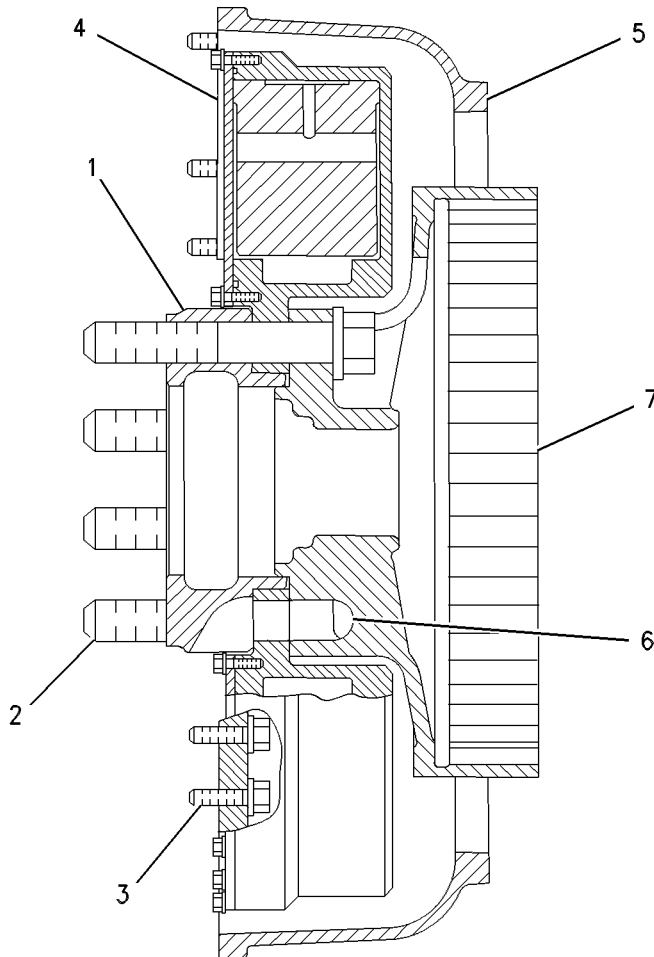
TYPE 2

SMCS-1207

i00969702

NOTE	REF NO	GRAPHIC REF	PART NUMBER	QTY	PART NAME						SEE PAGE
					1	2	3	4	5	6	
	1	1	<b>7W-0287</b>	1	ADAPTER-DAMPER						
	2	1	<b>5F-6932</b>	6	BOLT (1-14X7-IN)						
		1	<b>5P-8250</b>	6	WASHER (28X49X5-MM THK)						
	3	1	<b>0S-1587</b>	10	BOLT (1/2-13X1.75-IN)						
		1	<b>5P-8245</b>	10	WASHER-HARD (13.5X25.5X3-MM THK)						
YC	4	1	<i>7W-3194</i>	1	DAMPER GP						179
	5	1	<b>7W-0285</b>	1	ADAPTER AS-FRONT						
	6	1	<b>4N-0683</b>	2	DOWEL						
	7	1	<b>2W-8014</b>	1	COUPLING-FRONT PTO						

C - CHANGE FROM PREVIOUS TYPE  
Y - SEPARATE ILLUSTRATION



GRAPHIC #1

<END>

g00495196

# BASIC ENGINE

## 7W-0284 MOUNTING GP-HYD PUMP DRIVE

AN ATTACHMENT

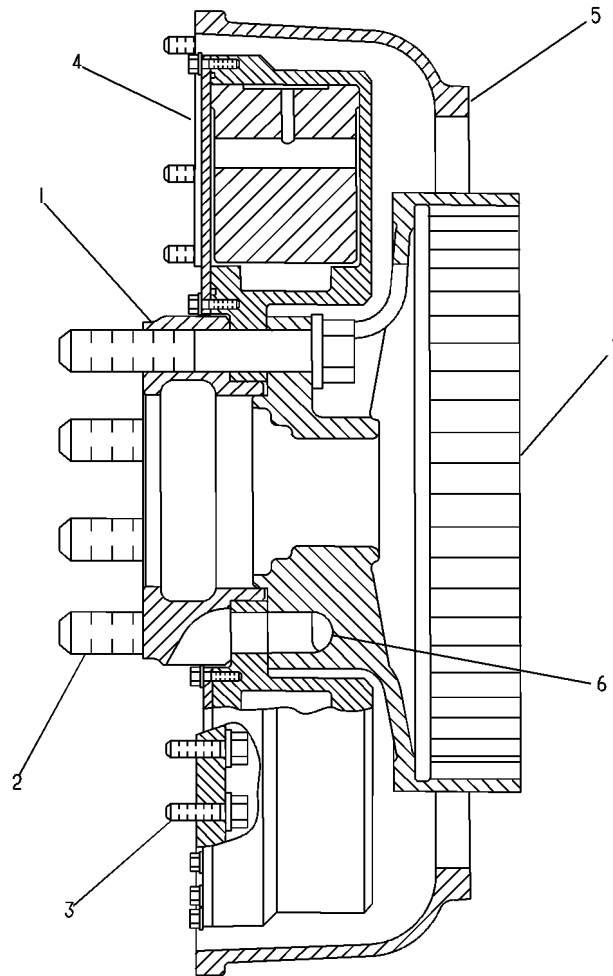
TYPE 3

SMCS-1207

i00652619

NOTE	REF NO	GRAPHIC REF	PART NUMBER	QTY	PART NAME						SEE PAGE
					1	2	3	4	5	6	
	1	1	<b>7W-0287</b>	1	ADAPTER-DAMPER						
	2	1	<b>5F-6932</b>	6	BOLT (1-14X7-IN)						
		1	<b>5P-8250</b>	6	WASHER (28X49X5-MM THK)						
	3	1	<b>0S-1587</b>	10	BOLT (1/2-13X1.75-IN)						
		1	<b>5P-8245</b>	10	WASHER-HARD (13.5X25.5X3-MM THK)						
CY	4	1	7W-3368	1	DAMPER GP						180
	5	1	<b>7W-0285</b>	1	ADAPTER AS-FRONT						
	6	1	<b>4N-0683</b>	2	DOWEL						
	7	1	<b>2W-8014</b>	1	COUPLING-FRONT PTO						

C - CHANGE FROM PREVIOUS TYPE  
Y - SEPARATE ILLUSTRATION



GRAPHIC #1

<END>

g00185178

# BASIC ENGINE

## 7W-0284 MOUNTING GP-HYD PUMP DRIVE

AN ATTACHMENT

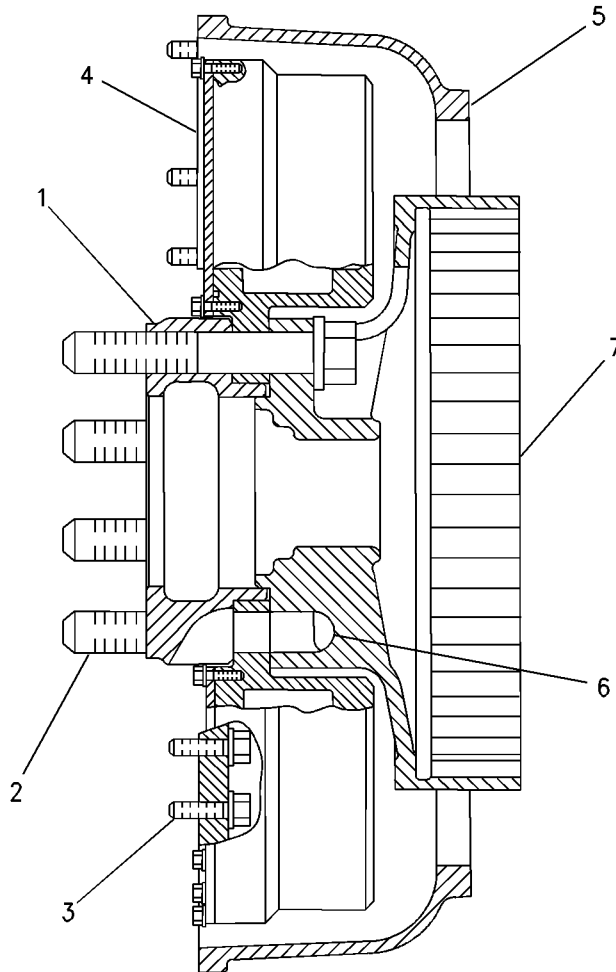
TYPE 4

SMCS-1207

i01758036

NOTE	REF NO	GRAPHIC REF	PART NUMBER	QTY	PART NAME						SEE PAGE
					1	2	3	4	5	6	
	1	1	<b>7W-0287</b>	1	ADAPTER-DAMPER						
	2	1	<b>5F-6932</b>	6	BOLT (1-14X7-IN)						
		1	<b>5P-8250</b>	6	WASHER (28X49X5-MM THK)						
	3	1	<b>0S-1587</b>	10	BOLT (1/2-13X1.75-IN)						
		1	<b>5P-8245</b>	10	WASHER-HARD (13.5X25.5X3-MM THK)						
CY	4	1	7C-9639	1	DAMPER GP						177
	5	1	<b>7W-0285</b>	1	ADAPTER AS-FRONT						
	6	1	<b>4N-0683</b>	2	DOWEL						
	7	1	<b>2W-8014</b>	1	COUPLING-FRONT PTO						

C - CHANGE FROM PREVIOUS TYPE  
Y - SEPARATE ILLUSTRATION



**RIGHT SIDE VIEW**

<END>

GRAPHIC #1

g00900729

# BASIC ENGINE

## 7W-0284 MOUNTING GP-HYD PUMP DRIVE

AN ATTACHMENT

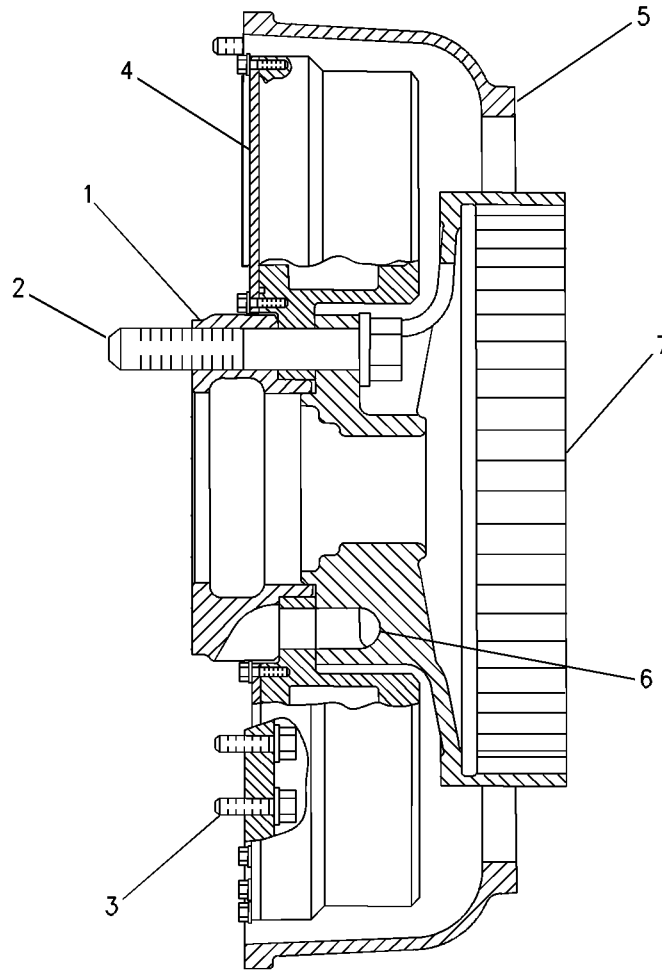
TYPE 5

SMCS-1207

i01758039

NOTE	REF NO	GRAPHIC REF	PART NUMBER	QTY	PART NAME						SEE PAGE
					1	2	3	4	5	6	
	1	1	<b>7W-0287</b>	1	ADAPTER-DAMPER						
	2	1	<b>5F-6932</b>	6	BOLT (1-14X7-IN)						
		1	<b>5P-8250</b>	6	WASHER (28X49X5-MM THK)						
	3	1	<b>0S-1587</b>	10	BOLT (1/2-13X1.75-IN)						
		1	<b>5P-8245</b>	10	WASHER-HARD (13.5X25.5X3-MM THK)						
CY	4	1	<b>100-4325</b>	1	DAMPER GP						170
	5	1	<b>7W-0285</b>	1	ADAPTER AS-FRONT						
	6	1	<b>4N-0683</b>	2	DOWEL						
	7	1	<b>2W-8014</b>	1	COUPLING-FRONT PTO						

C - CHANGE FROM PREVIOUS TYPE  
Y - SEPARATE ILLUSTRATION



**RIGHT SIDE VIEW**

<END>

GRAPHIC #1

g00900722

# BASIC ENGINE

## 7W-0284 MOUNTING GP-HYD PUMP DRIVE

AN ATTACHMENT

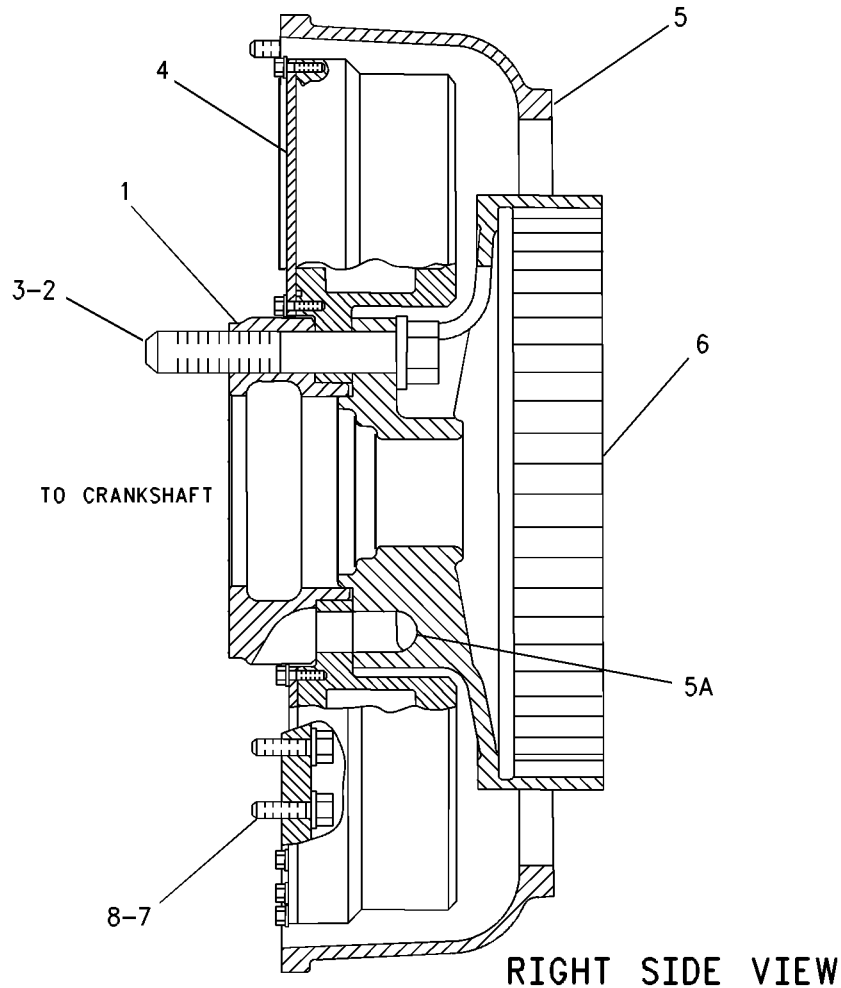
TYPE 6

SMCS-1207

i07350073

NOTE	REF NO	GRAPHIC REF	PART NUMBER	QTY	PART NAME						SEE PAGE
					1	2	3	4	5	6 (PRODUCT LEVEL)	
	1	1	<b>7W-0287</b>	1	ADAPTER-DAMPER						
	2	1	<b>5F-6932</b>	6	BOLT (1-14X7-IN)						
	3	1	<b>5P-8250</b>	6	WASHER (28X49X5-MM THK)						
CYR	4	1	<b>171-4571</b>	1	DAMPER GP						173
	5	1	<b>7W-0285</b>	1	ADAPTER AS-FRONT						
	5A	1	<b>4N-0683</b>	2	DOWEL						
	6	1	<b>2W-8014</b>	1	COUPLING-FRONT PTO						
	7	1	<b>0S-1587</b>	10	BOLT (1/2-13X1.75-IN)						
	8	1	<b>5P-8245</b>	10	WASHER-HARD (13.5X25.5X3-MM THK)						

C - CHANGE FROM PREVIOUS TYPE  
R - REMANUFACTURED PART MAY BE AVAILABLE  
Y - SEPARATE ILLUSTRATION



GRAPHIC #1

<END>

g00899264



# BASIC ENGINE

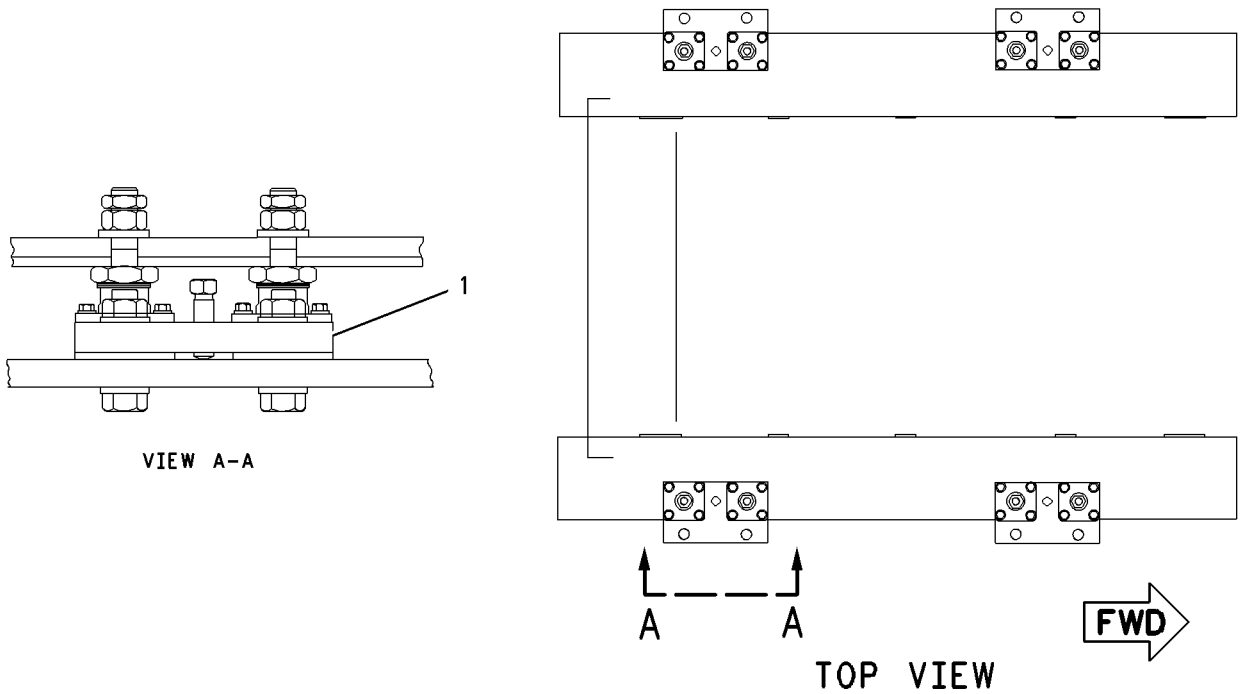
## 2W-3037 MOUNTING GP-SOUND ISOLATION FOR USE WITH MARINE ENGINES WITH ENGINE LENGTH RAILS AN ATTACHMENT

SMCS-1152, 1801

i01909702

NOTE	REF NO	GRAPHIC REF	PART NUMBER	QTY	PART NAME						SEE PAGE
					1	2	3	4	5	6 (PRODUCT LEVEL)	
Y	1	1	5N-1900	1	MOUNTING GP-SOUND ISOLATION						344

Y - SEPARATE ILLUSTRATION



GRAPHIC #1

<END>

g00995988

# BASIC ENGINE

## 5N-1900 MOUNTING GP-SOUND ISOLATION

PART OF 2W-3037 MOUNTING GP-SOUND ISOLATION

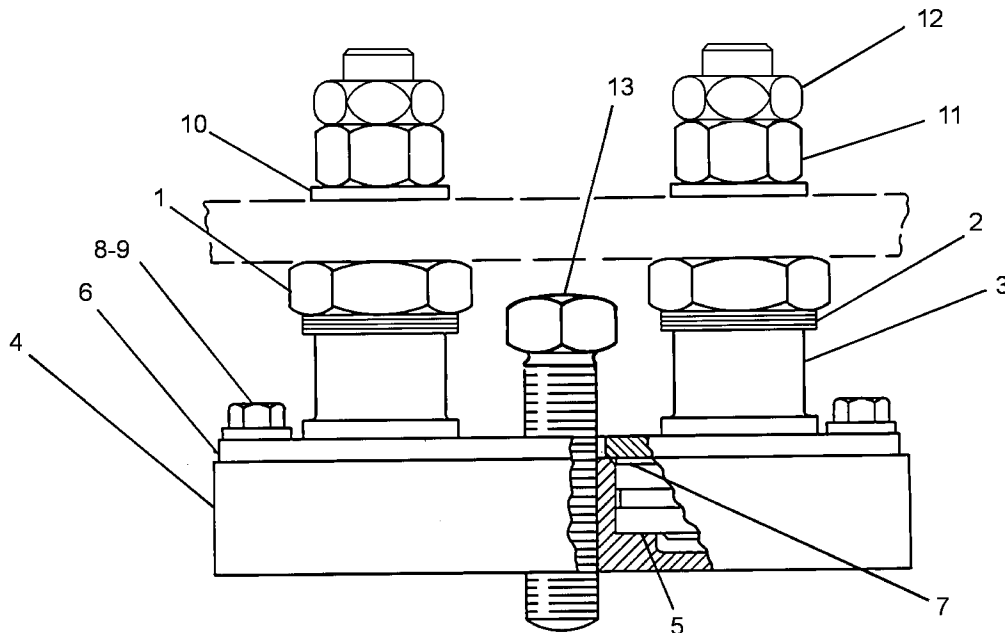
AN ATTACHMENT

SMCS-1152, 1801

i02866109

NOTE	REF NO	GRAPHIC REF	PART NUMBER	QTY	PART NAME						SEE PAGE
					1	2	3	4	5	6 (PRODUCT LEVEL)	
	1	1	<b>5N-1901</b>	2	FASTENER						
B	2	1	<b>5N-1902</b>	2	SHIM (4.98-MM THK)						
	3	1	<b>5N-1903</b>	2	SPOOL						
	4	1	<b>5N-1904</b>	1	BASE						
	5	1	<b>5N-1905</b>	4	ISOLATOR AS						
	6	1	<b>5N-1906</b>	2	FLANGE						
B	7	1	<b>5N-1907</b>	18	SHIM (0.25-MM THK)						
	8	1	<b>0S-1594</b>	8	BOLT (3/8-16X1-IN)						
	9	1	<b>5M-2894</b>	8	WASHER-HARD (10.2X18.5X2.5-MM THK)						
	10	1	<b>5P-8250</b>	2	WASHER (28X49X5-MM THK)						
	11	1	<b>2J-3507</b>	2	NUT-FULL (1-8-THD)						
	12	1	<b>1D-6306</b>	2	NUT (1-8-THD)						
	13	1	<b>2H-3893</b>	1	SETSCREW-SQUARE HEAD (3/4-10X2.5-IN)						

B - USE AS REQUIRED



GRAPHIC #1

<END>

g01427792

# BASIC ENGINE

## 7C-6752 PAN GP-OIL

S/N: 50Y647-1304

AN ATTACHMENT

**SMCS-1302**

**i06651372**

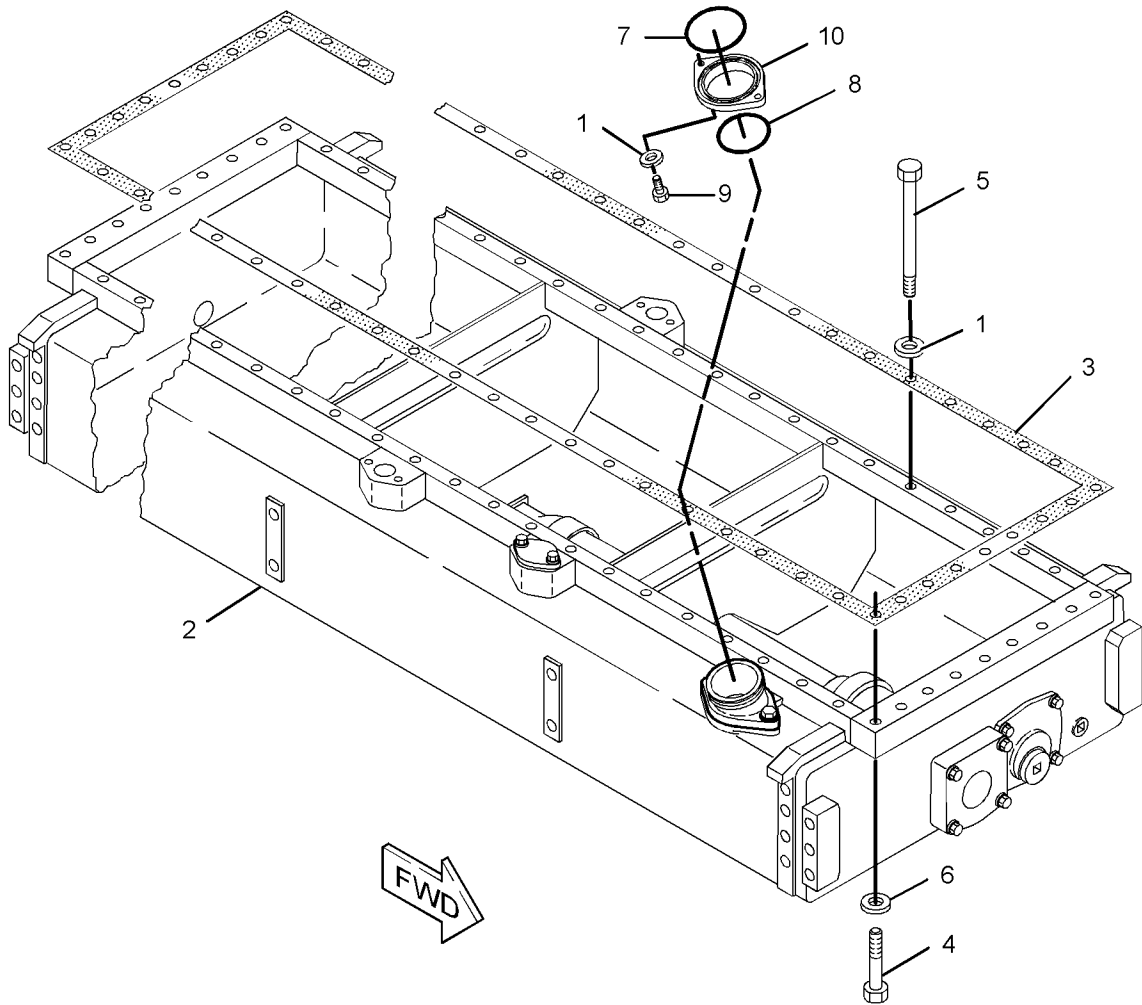
NOTE	REF NO	GRAPHIC REF	PART NUMBER	QTY	PART NAME						SEE PAGE
					1	2	3	4	5	6	
	1	1	<b>5M-2894</b>	40	WASHER-HARD (10.2X18.5X2.5-MM THK)						
Y	2	1	<b>9Y-3087</b>	1	PAN GP-OIL (ENGINE)						360
	3	1	<b>7E-2630</b>	1	GASKET-OIL PAN (ENGINE)						
	4	1	<b>0L-1143</b>	18	BOLT (3/8-16X2.5-IN)						
	5	1	<b>0T-0065</b>	38	BOLT (3/8-16X3.5-IN)						
	6	1	<b>8M-9124</b>	18	WASHER (10X22.5X8-MM THK)						
	7	1	<b>6V-5101</b>	1	SEAL-O-RING						
	8	1	<b>3P-0654</b>	1	SEAL-O-RING						
	9	1	<b>0S-1588</b>	2	BOLT (3/8-16X1.25-IN)						
	10	1	<b>7W-0129</b>	1	FLANGE						

Y - SEPARATE ILLUSTRATION

# BASIC ENGINE

7C-6752 PAN GP-OIL (contd.)

106651372



GRAPHIC #1

<END>

g03895539

# BASIC ENGINE

## 7C-9938 PAN GP-OIL-DEEP SUMP

S/N: 50Y727-1304; 66Z247-578

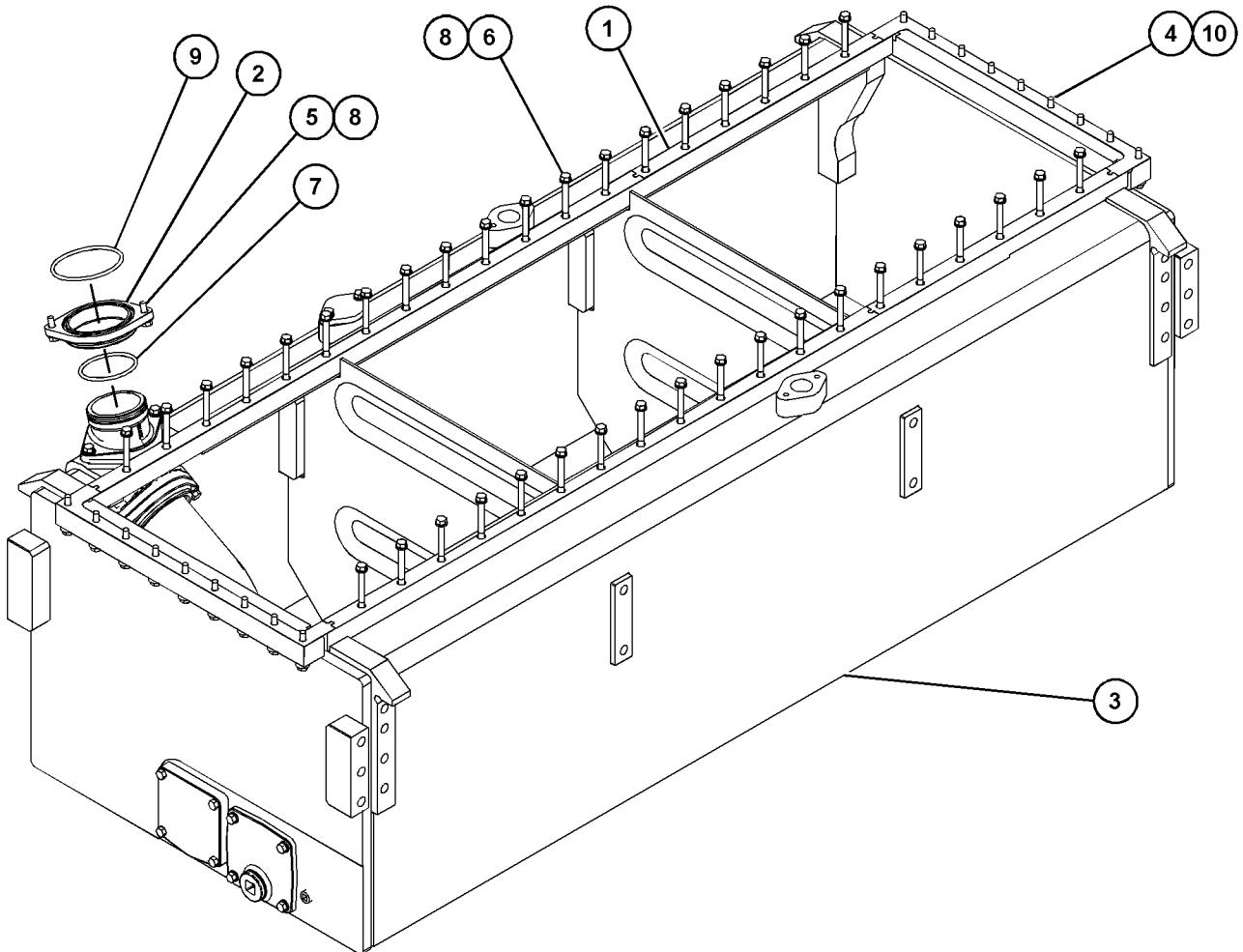
PART OF 357-0858, 376-4849 ENGINE AR-COMplete

SMCS-1302

i06045272

NOTE	REF NO	GRAPHIC REF	PART NUMBER	QTY	PART NAME						SEE PAGE
					1	2	3	4	5	6 (PRODUCT LEVEL)	
	1	1	<b>7E-2630</b>	1	GASKET-OIL PAN						
	2	1	<b>7W-0129</b>	1	FLANGE						
Y	3	1	<b>9Y-3084</b>	1	PAN GP-OIL						356
	4	1	<b>0L-1143</b>	18	BOLT (3/8-16X2.5-IN)						
	5	1	<b>0S-1588</b>	2	BOLT (3/8-16X1.25-IN)						
	6	1	<b>0T-0065</b>	38	BOLT (3/8-16X3.5-IN)						
	7	1	<b>3P-0654</b>	1	SEAL-O-RING						
	8	1	<b>5M-2894</b>	40	WASHER-HARD (10.2X18.5X2.5-MM THK)						
	9	1	<b>6V-5101</b>	1	SEAL-O-RING						
	10	1	<b>8M-9124</b>	18	WASHER (10X22.5X8-MM THK)						

Y - SEPARATE ILLUSTRATION



GRAPHIC #1

<END>

g03810484

# BASIC ENGINE

## 8N-6164 PAN GP-OIL-FRONT SUMP AN ATTACHMENT

SMCS - 1302

i04243750

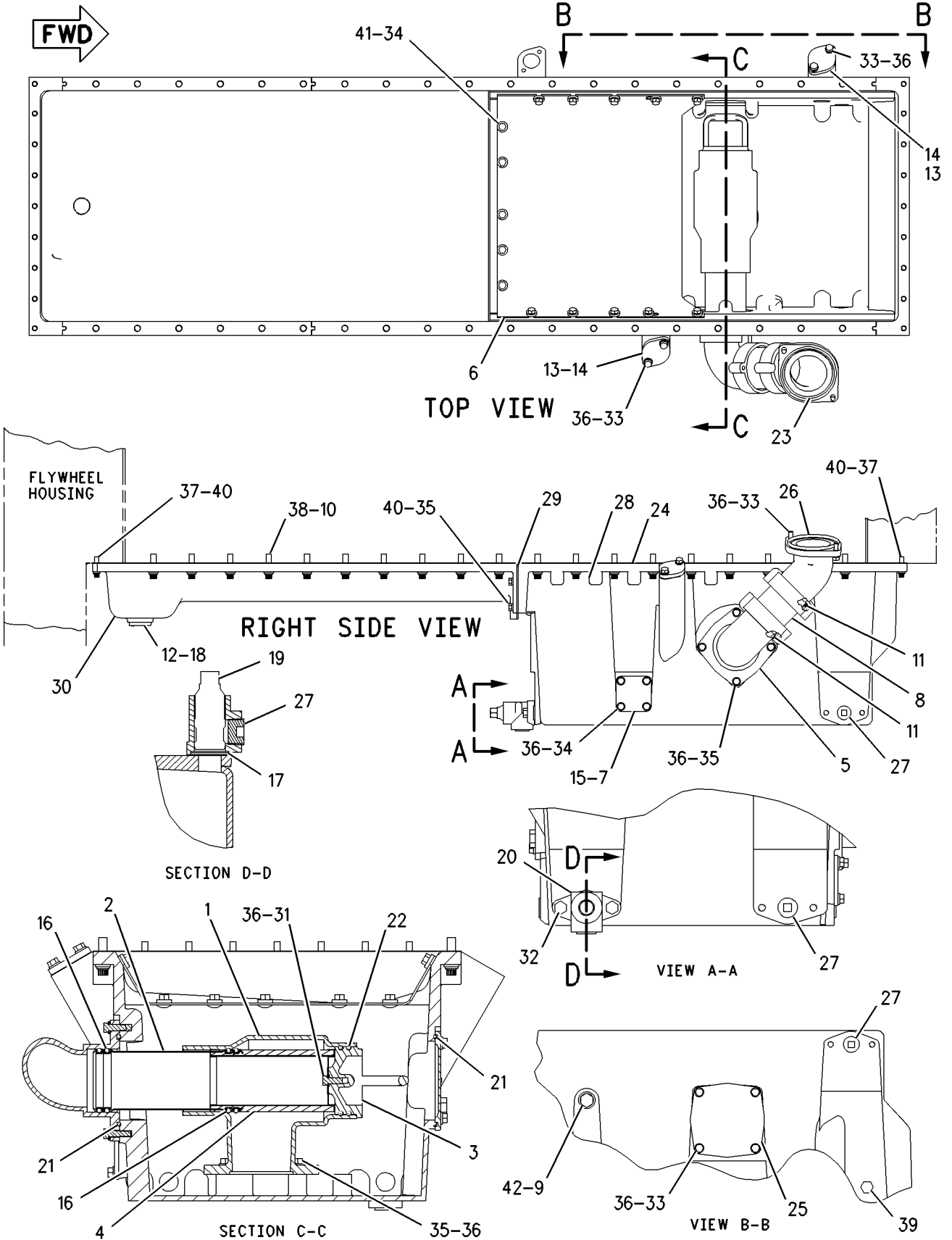
NOTE	REF NO	GRAPHIC REF	PART NUMBER	QTY	PART NAME						SEE PAGE
					1	2	3	4	5	6 (PRODUCT LEVEL)	
	1	1	<b>1N-3150</b>	1	HOUSING-OIL SCREEN						
	2	1	<b>1N-4666</b>	1	TUBE						
	3	1	<b>1W-1563</b>	1	HANDLE-OIL SCREEN						
	4	1	<b>1W-1564</b>	1	SCREEN AS-SUCTION (ENGINE OIL PAN)						
	5	1	<b>1W-1565</b>	1	ELBOW						
	6	1	<b>1W-1568</b>	1	PLATE						
	7	1	<b>1W-2060</b>	1	COVER						
	8	1	<b>1W-6114</b>	1	TUBE						
	9	1	<b>2M-9780</b>	1	SEAL-O-RING						
	10	1	<b>3H-7654</b>	38	WASHER-HARD (13.5X22.5X3-MM THK)						
	11	1	<b>3P-0654</b>	2	SEAL-O-RING						
	12	1	<b>4B-2363</b>	1	PLUG-OIL DRAIN (ENGINE OIL PAN)						
	13	1	<b>4F-3765</b>	2	GASKET-SHAFT						
	14	1	<b>4N-0996</b>	2	COVER						
	15	1	<b>5P-4892</b>	1	SEAL-O-RING						
	16	1	<b>5P-5700</b>	4	SEAL-O-RING						
	17	1	<b>5P-8068</b>	1	SEAL-O-RING						
	18	1	<b>6F-4868</b>	1	GASKET						
	19	1	<b>6I-0723</b>	1	PLUG-OIL DRAIN (ENGINE OIL PAN)						
	20	1	<b>6I-0724</b>	1	ADAPTER-PLUG						
	21	1	<b>6V-4314</b>	2	SEAL-O-RING						
	22	1	<b>6V-4315</b>	2	SEAL-O-RING						
C	23	1	<b>6V-5101</b>	1	SEAL-O-RING						
	24	1	<b>7E-2630</b>	1	GASKET-OIL PAN						
	25	1	<b>7N-6388</b>	1	COVER						
C	26	1	<b>7W-0117</b>	1	ELBOW						
	27	1	<b>8T-6761</b>	4	PLUG-PIPE (1-11-1/2 NPT THD)						
	28	1	<b>133-5981</b>	1	PAN AS-OIL						
		1	<b>101-2862</b>	2	DOWEL						
	29	1	<b>142-4159</b>	1	SEAL-INTEGRAL						
	30	1	<b>188-4701</b>	1	PAN-OIL						
	31	1	<b>0L-1351</b>	1	BOLT (3/8-16X0.875-IN)						
	32	1	<b>0S-1587</b>	2	BOLT (1/2-13X1.75-IN)						
C	33	1	<b>0S-1588</b>	10	BOLT (3/8-16X1.25-IN)						
	34	1	<b>1A-2029</b>	19	BOLT (3/8-16X1.125-IN)						
	35	1	<b>3B-1915</b>	17	BOLT (3/8-16X1.375-IN)						
C	36	1	<b>5M-2894</b>	23	WASHER-HARD (10.2X18.5X2.5-MM THK)						
	37	1	<b>5P-0076</b>	18	BOLT-12 POINT HEAD (3/8-16X1.5-IN)						
	38	1	<b>5P-5855</b>	38	BOLT-12 POINT HEAD (1/2-13X1.75-IN)						
	39	1	<b>7W-6492</b>	1	PLUG-PIPE (1/2-14-THD)						
	40	1	<b>8M-3175</b>	27	WASHER-HARD (10.2X16X3-MM THK)						
	41	1	<b>8M-9024</b>	15	WASHER-HARD (10.2X22.5X5-MM THK)						
	42	1	<b>9S-4190</b>	1	PLUG-O-RING (7/8-14-THD)						

C - CHANGE FROM PREVIOUS TYPE

# BASIC ENGINE

8N-6164 PAN GP-OIL (contd.)

i04243750



GRAPHIC #1

<END>

g00921654

# BASIC ENGINE

## 8N-7705 PAN GP-OIL

S/N: 50Y647-652

SMCS-1302

i01330978

NOTE	REF NO	GRAPHIC REF	PART NUMBER	QTY	PART NAME						SEE PAGE
					1	2	3	4	5	6 (PRODUCT LEVEL)	
C	1	1	<b>2W-4690</b>	1	PAN AS-OIL						
	2	1	<b>7E-2630</b>	1	GASKET-OIL PAN						
	3	1	<b>7N-6387</b>	1	COVER						
	4	1	<b>6V-4314</b>	2	SEAL-O-RING						
	5	1	<b>4B-2363</b>	2	PLUG-OIL DRAIN						
	6	1	<b>6F-4868</b>	2	GASKET						
	7	1	<b>0S-1594</b>	18	BOLT (3/8-16X1-IN)						
	8	1	<b>0L-1351</b>	1	BOLT (3/8-16X0.875-IN)						
	9	1	<b>2B-0858</b>	2	PLUG-PIPE						
	10	1	<b>3B-0551</b>	2	PLUG-PIPE						
	11	1	<b>5M-2894</b>	47	WASHER-HARD (10.2X18.5X2.5-MM THK)						
	12	1	<b>4B-3140</b>	1	COVER						
	13	1	<b>9L-1480</b>	1	GASKET						
	14	1	<b>0T-0065</b>	38	BOLT (3/8-16X3.5-IN)						
	15	1	<b>0L-2070</b>	18	BOLT (3/8-16X2.25-IN)						
	16	1	<b>4N-0996</b>	1	COVER						
	17	1	<b>4F-3765</b>	1	GASKET-SHAFT						
	18	1	<b>2A-4639</b>	4	BOLT (3/8-16X1.625-IN)						
	19	1	<b>1N-3147</b>	1	BELL-SUCTION						
	20	1	<b>1N-3148</b>	1	TUBE						
	21	1	<b>0S-1588</b>	6	BOLT (3/8-16X1.25-IN)						
	22	1	<b>1N-3150</b>	1	HOUSING-OIL SCREEN						
	23	1	<b>1W-7278</b>	1	CONNECTOR						
	24	1	<b>1W-1563</b>	1	HANDLE-OIL SCREEN						
	25	1	<b>6V-4315</b>	2	SEAL-O-RING						
	26	1	<b>6V-0973</b>	2	SEAL-O-RING						
	27	1	<b>5P-5700</b>	4	SEAL-O-RING						
	28	1	<b>8N-0386</b>	1	FLANGE						
	29	1	<b>4N-1320</b>	1	GASKET (ADAPTER)						
	30	1	<b>3P-0654</b>	2	SEAL-O-RING						
	31	1	<b>1W-1564</b>	1	SCREEN AS-SUCTION						
	32	1	<b>7N-6388</b>	1	COVER						

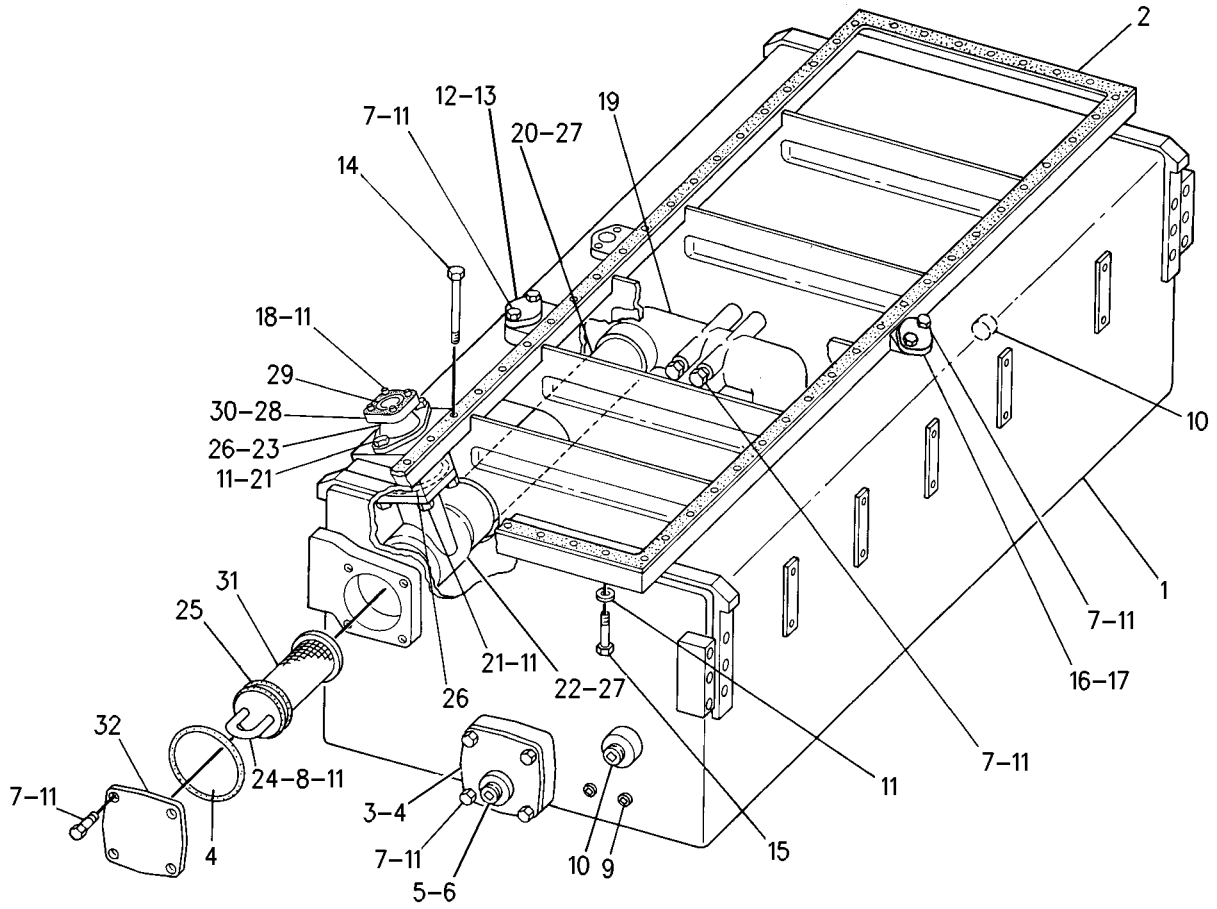
C - CHANGE FROM PREVIOUS TYPE



# BASIC ENGINE

8N-7705 PAN GP-OIL (contd.)

i01330978



GRAPHIC #1

<END>

g00704679

# BASIC ENGINE

## 8N-7705 PAN GP-OIL

S/N: 50Y653-726; 66Z190-246

SMCS-1302

i01330987

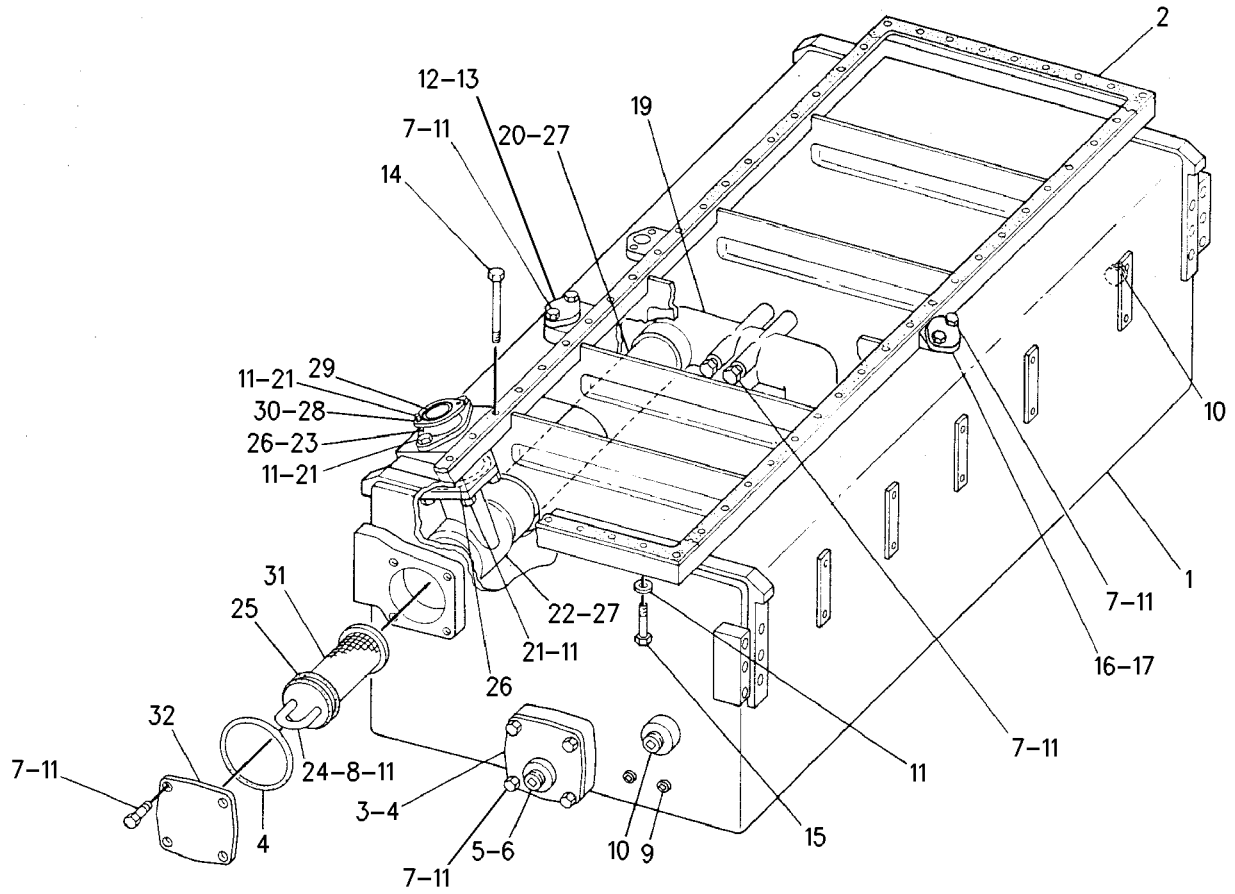
NOTE	REF NO	GRAPHIC REF	PART NUMBER	QTY	PART NAME						SEE PAGE
					1	2	3	4	5	6 (PRODUCT LEVEL)	
	1	1	<b>2W-4690</b>	1	PAN AS-OIL						
C	2	1	<b>7E-2630</b>	1	GASKET-OIL PAN						
	3	1	<b>7N-6387</b>	1	COVER						
	4	1	<b>6V-4314</b>	2	SEAL-O-RING						
	5	1	<b>4B-2363</b>	2	PLUG-OIL DRAIN						
	6	1	<b>6F-4868</b>	2	GASKET						
	7	1	<b>0S-1594</b>	18	BOLT (3/8-16X1-IN)						
	8	1	<b>0L-1351</b>	1	BOLT (3/8-16X0.875-IN)						
	9	1	<b>2B-0858</b>	2	PLUG-PIPE						
	10	1	<b>3B-0551</b>	2	PLUG-PIPE						
C	11	1	<b>5M-2894</b>	45	WASHER-HARD (10.2X18.5X2.5-MM THK)						
	12	1	<b>4B-3140</b>	1	COVER						
	13	1	<b>9L-1480</b>	1	GASKET						
	14	1	<b>0T-0065</b>	38	BOLT (3/8-16X3.5-IN)						
	15	1	<b>0L-2070</b>	18	BOLT (3/8-16X2.25-IN)						
	16	1	<b>4N-0996</b>	1	COVER						
	17	1	<b>4F-3765</b>	1	GASKET-SHAFT						
	19	1	<b>1N-3147</b>	1	BELL-SUCTION						
	20	1	<b>1N-3148</b>	1	TUBE						
C	21	1	<b>0S-1588</b>	8	BOLT (3/8-16X1.25-IN)						
	22	1	<b>1N-3150</b>	1	HOUSING-OIL SCREEN						
C	23	1	<b>1N-3114</b>	1	ADAPTER						
	24	1	<b>1W-1563</b>	1	HANDLE-OIL SCREEN						
	25	1	<b>6V-4315</b>	2	SEAL-O-RING						
	26	1	<b>6V-0973</b>	2	SEAL-O-RING						
	27	1	<b>5P-5700</b>	4	SEAL-O-RING						
C	28	1	<b>7W-0129</b>	1	FLANGE						
C	29	1	<b>6V-5101</b>	1	SEAL-O-RING						
	30	1	<b>3P-0654</b>	1	SEAL-O-RING						
	31	1	<b>1W-1564</b>	1	SCREEN AS-SUCTION						
	32	1	<b>7N-6388</b>	1	COVER						

C - CHANGE FROM PREVIOUS TYPE

# BASIC ENGINE

8N-7705 PAN GP-OIL (contd.)

101330987



GRAPHIC #1

<END>

g00704693

# BASIC ENGINE

## 8N-7706 PAN GP-OIL-REAR SUMP

S/N: 50Y647-1304

AN ATTACHMENT

SMCS-1302

i04418409

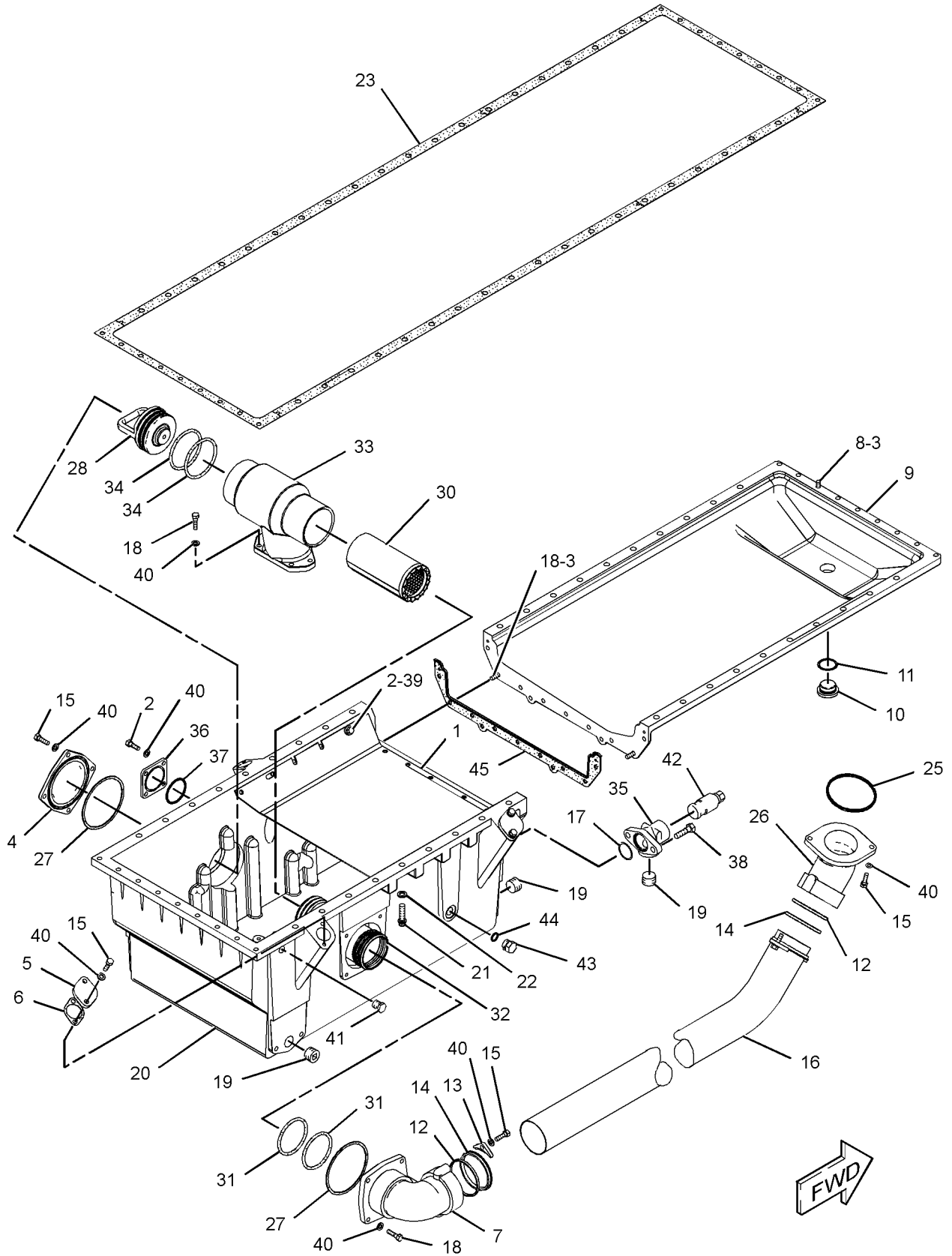
NOTE	REF NO	GRAPHIC REF	PART NUMBER	QTY	PART NAME						SEE PAGE
					1	2	3	4	5	6 (PRODUCT LEVEL)	
	1	1	<b>1W-1568</b>	1	PLATE						
	2	1	<b>1A-2029</b>	19	BOLT (3/8-16X1.125-IN)						
	3	1	<b>8M-3175</b>	27	WASHER-HARD (10.2X16X3-MM THK)						
	4	1	<b>7N-6388</b>	1	COVER						
	5	1	<b>4N-0996</b>	2	COVER						
	6	1	<b>4F-3765</b>	2	GASKET-SHAFT						
	7	1	<b>1W-1565</b>	1	ELBOW						
	8	1	<b>5P-0076</b>	18	BOLT-12 POINT HEAD (3/8-16X1.5-IN)						
	9	1	<b>188-4701</b>	1	PAN-OIL						
	10	1	<b>4B-2363</b>	1	PLUG-OIL DRAIN (ENGINE OIL PAN)						
	11	1	<b>6F-4868</b>	1	GASKET (OIL PAN)						
	12	1	<b>3P-0654</b>	2	SEAL-O-RING						
	13	1	<b>8N-3639</b>	4	RETAINER						
	14	1	<b>8N-3640</b>	2	RING-RETAINING						
C	15	1	<b>0S-1588</b>	14	BOLT (3/8-16X1.25-IN)						
	16	1	<b>1W-1579</b>	1	TUBE						
	17	1	<b>5P-8068</b>	1	SEAL-O-RING						
	18	1	<b>3B-1915</b>	17	BOLT (3/8-16X1.375-IN)						
	19	1	<b>8T-6761</b>	4	PLUG-PIPE (1-11-1/2 NPT THD)						
	20	1	<b>133-5981</b>	1	PAN AS-OIL						
		1	<b>101-2862</b>	2	DOWEL						
	21	1	<b>5P-5855</b>	38	BOLT-12 POINT HEAD (1/2-13X1.75-IN)						
	22	1	<b>3H-7654</b>	38	WASHER-HARD (13.5X22.5X3-MM THK)						
	23	1	<b>7E-2630</b>	1	GASKET-OIL PAN						
C	25	1	<b>6V-5101</b>	1	SEAL-O-RING						
C	26	1	<b>7W-0117</b>	1	ELBOW						
	27	1	<b>6V-4314</b>	2	SEAL-O-RING						
	28	1	<b>1W-1563</b>	1	HANDLE-OIL SCREEN						
	30	1	<b>295-5897</b>	1	SCREEN AS-SUCTION (ENGINE OIL PAN)						
	31	1	<b>5P-5700</b>	4	SEAL-O-RING						
	32	1	<b>1N-4666</b>	1	TUBE						
	33	1	<b>1N-3150</b>	1	HOUSING-OIL SCREEN						
	34	1	<b>6V-4315</b>	2	SEAL-O-RING						
	35	1	<b>6I-0724</b>	1	ADAPTER-PLUG						
	36	1	<b>1W-2060</b>	1	COVER						
	37	1	<b>5P-4892</b>	1	SEAL-O-RING						
	38	1	<b>0S-1587</b>	2	BOLT (1/2-13X1.75-IN)						
	39	1	<b>8M-9024</b>	15	WASHER-HARD (10.2X22.5X5-MM THK)						
	40	1	<b>5M-2894</b>	26	WASHER-HARD (10.2X18.5X2.5-MM THK)						
	41	1	<b>7W-6492</b>	1	PLUG-PIPE (1/2-14-THD)						
	42	1	<b>6I-0723</b>	1	PLUG-OIL DRAIN (ENGINE OIL PAN)						
	43	1	<b>9S-4190</b>	1	PLUG-O-RING (7/8-14-THD)						
	44	1	<b>2M-9780</b>	1	SEAL-O-RING						
	45	1	<b>142-4159</b>	1	SEAL-INTEGRAL (OIL PAN)						

C - CHANGE FROM PREVIOUS TYPE

# BASIC ENGINE

8N-7706 PAN GP-OIL (contd.)

i04418409



GRAPHIC #1

<END>

g01454661

# BASIC ENGINE

## 9Y-3084 PAN GP-OIL-DEEP SUMP

S/N: 50Y727-1304; 66Z247-578

PART OF 7C-9938 PAN GP-OIL

SMCS-1302

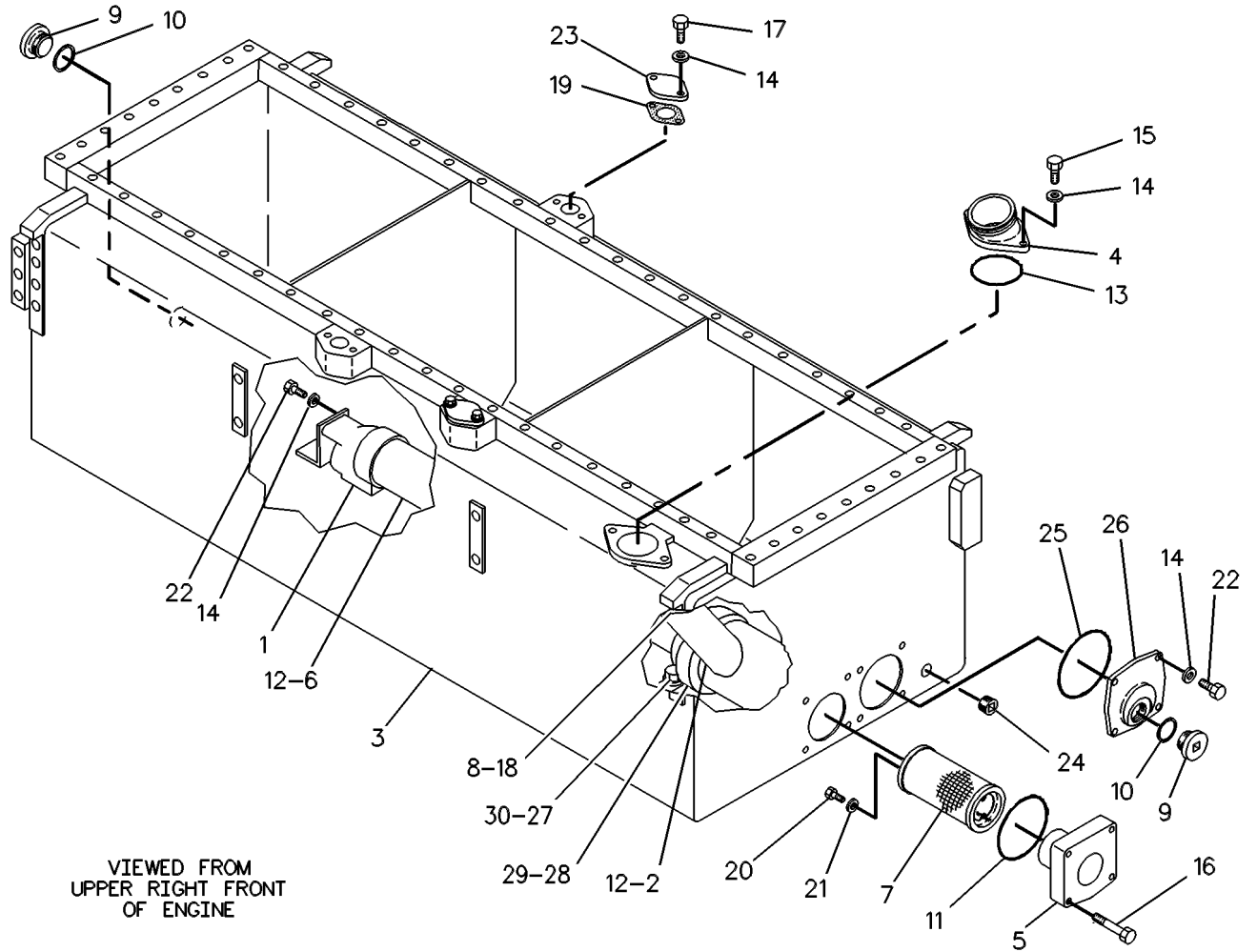
i03628517

NOTE	REF NO	GRAPHIC REF	PART NUMBER	QTY	PART NAME						SEE PAGE
					1	2	3	4	5	6 (PRODUCT LEVEL)	
1	1	1	111-3812	1	ELBOW						
2	1	1	114-2413	1	TUBE AS						
3	1	1	118-4609	1	PAN AS-OIL						
4	1	1	7C-4715	1	CONNECTOR						
5	1	1	116-3263	1	ADAPTER						
6	1	1	114-2411	1	TUBE-SUCTION						
7	1	1	7C-4716	1	SCREEN AS-SUCTION (ENGINE OIL PAN)						
8	1	1	6V-5101	1	SEAL-O-RING						
9	1	1	4B-2363	2	PLUG-OIL DRAIN (ENGINE OIL PAN)						
10	1	1	6F-4868	2	GASKET						
11	1	1	5P-8872	1	SEAL-O-RING						
12	1	1	3P-0654	3	SEAL-O-RING						
13	1	1	5P-7818	1	SEAL-O-RING						
14	1	1	5M-2894	14	WASHER-HARD (10.2X18.5X2.5-MM THK)						
15	1	1	0S-1588	4	BOLT (3/8-16X1.25-IN)						
16	1	1	0S-1571	4	BOLT (3/8-16X1.75-IN)						
17	1	1	0S-1594	4	BOLT (3/8-16X1-IN)						
18	1	1	7W-0129	1	FLANGE						
19	1	1	9L-1480	2	GASKET						
20	1	1	2A-0762	2	BOLT (1/4-20X0.625-IN)						
21	1	1	5P-0537	2	WASHER-HARD (7.2X14.5X2-MM THK)						
22	1	1	0L-1351	6	BOLT (3/8-16X0.875-IN)						
23	1	1	4B-3140	2	COVER						
24	1	1	2B-0858	1	PLUG-PIPE						
25	1	1	6V-4314	1	SEAL-O-RING						
26	1	1	7N-6387	1	COVER						
27	1	1	0S-1590	2	BOLT (3/8-16X2-IN)						
28	1	1	111-2081	1	HOUSING-OIL						
29	1	1	7X-1547	2	SEAL-O-RING						
30	1	1	8M-9024	2	WASHER-HARD (10.2X22.5X5-MM THK)						

# BASIC ENGINE

9Y-3084 PAN GP-OIL (contd.)

i03628517



GRAPHIC #1

<END>

g00249788

# BASIC ENGINE

## 9Y-3084 PAN GP-OIL-DEEP SUMP

S/N: 50Y647-1304

PART OF 7C-9938 PAN GP-OIL

SMCS-1302

i02987830

NOTE	REF NO	GRAPHIC REF	PART NUMBER	QTY	PART NAME						SEE PAGE
					1	2	3	4	5	6 (PRODUCT LEVEL)	
C	1	1	<b>1W-1564</b>	1	SCREEN AS-SUCTION (ENGINE OIL PAN)						
	2	1	<b>4B-2363</b>	2	PLUG-OIL DRAIN (ENGINE OIL PAN)						
	3	1	<b>6F-4868</b>	2	GASKET						
	4	1	<b>7C-4715</b>	1	CONNECTOR						
	5	1	<b>7W-0129</b>	1	FLANGE						
	6	1	<b>111-2081</b>	1	HOUSING-OIL (ENGINE)						
	7	1	<b>114-2413</b>	1	TUBE AS						
	8	1	<b>149-9298</b>	1	COVER						
C	9	1	<b>228-8926</b>	1	ADAPTER						
C	10	1	<b>229-8875</b>	1	TUBE-SUCTION						
C	11	1	<b>229-8877</b>	1	PAN AS-OIL						
C	12	1	<b>231-5867</b>	4	CLAMP						
C	13	1	<b>0L-1351</b>	5	BOLT (3/8-16X0.875-IN)						
C	14	1	<b>0S-1585</b>	2	BOLT (1/2-13X1.5-IN)						
	15	1	<b>0S-1588</b>	4	BOLT (3/8-16X1.25-IN)						
	16	1	<b>0S-1590</b>	2	BOLT (3/8-16X2-IN)						
	17	1	<b>0S-1594</b>	2	BOLT (3/8-16X1-IN)						
	18	1	<b>125-9794</b>	1	SEAL-O-RING						
C	19	1	<b>1A-2029</b>	4	BOLT (3/8-16X1.125-IN)						
C	20	1	<b>1K-6872</b>	2	LOCKNUT (1/2-13-THD)						
C	21	1	<b>3P-0654</b>	2	SEAL-O-RING						
	22	1	<b>4B-3140</b>	1	COVER (PRELUBRICATION)						
C	23	1	<b>5M-2894</b>	11	WASHER-HARD (10.2X18.5X2.5-MM THK)						
	24	1	<b>5P-7818</b>	1	SEAL-O-RING						
C	25	1	<b>5P-8245</b>	6	WASHER-HARD (13.5X25.5X3-MM THK)						
	26	1	<b>5P-8872</b>	1	SEAL-O-RING						
	27	1	<b>6V-5101</b>	1	SEAL-O-RING						
C	28	1	<b>7B-3235</b>	2	BOLT (1/2-13X1.375-IN)						
	29	1	<b>7X-1547</b>	2	SEAL-O-RING						
	30	1	<b>8M-9024</b>	2	WASHER-HARD (10.2X22.5X5-MM THK)						
	31	1	<b>8T-6762</b>	1	PLUG-PIPE (1/2-14-THD)						
	32	1	<b>9L-1480</b>	1	GASKET						

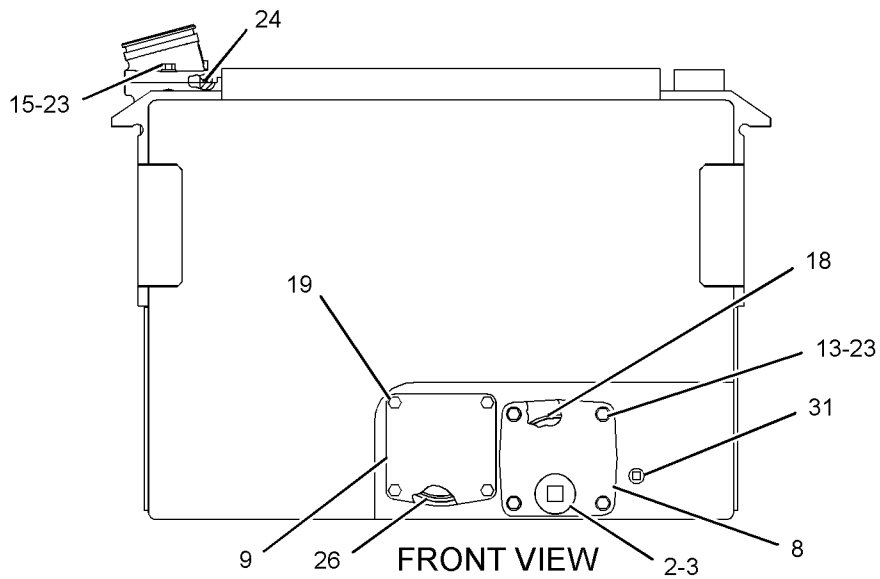
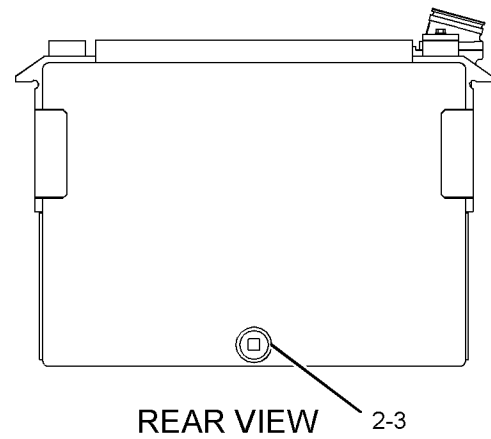
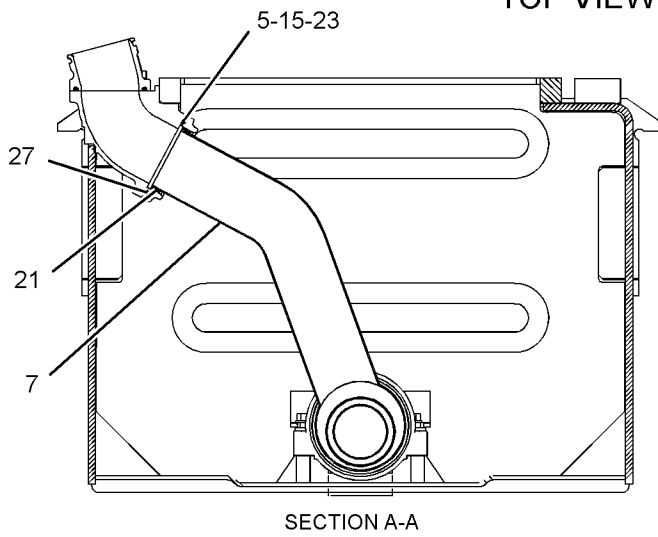
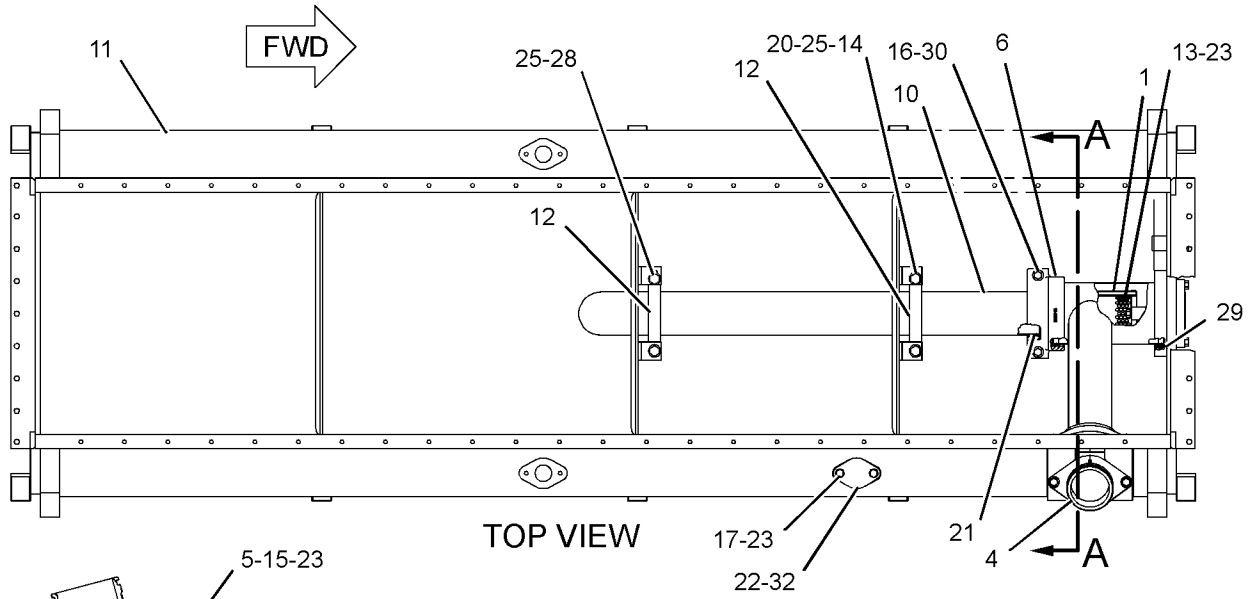
C - CHANGE FROM PREVIOUS TYPE



# BASIC ENGINE

9Y-3084 PAN GP-OIL (contd.)

i02987830



GRAPHIC #1

<END>

g01297785

# BASIC ENGINE

## 9Y-3087 PAN GP-OIL

S/N: 50Y647-1304

PART OF 7C-6752 PAN GP-OIL  
AN ATTACHMENT

**SMCS-1302**

**i07531421**

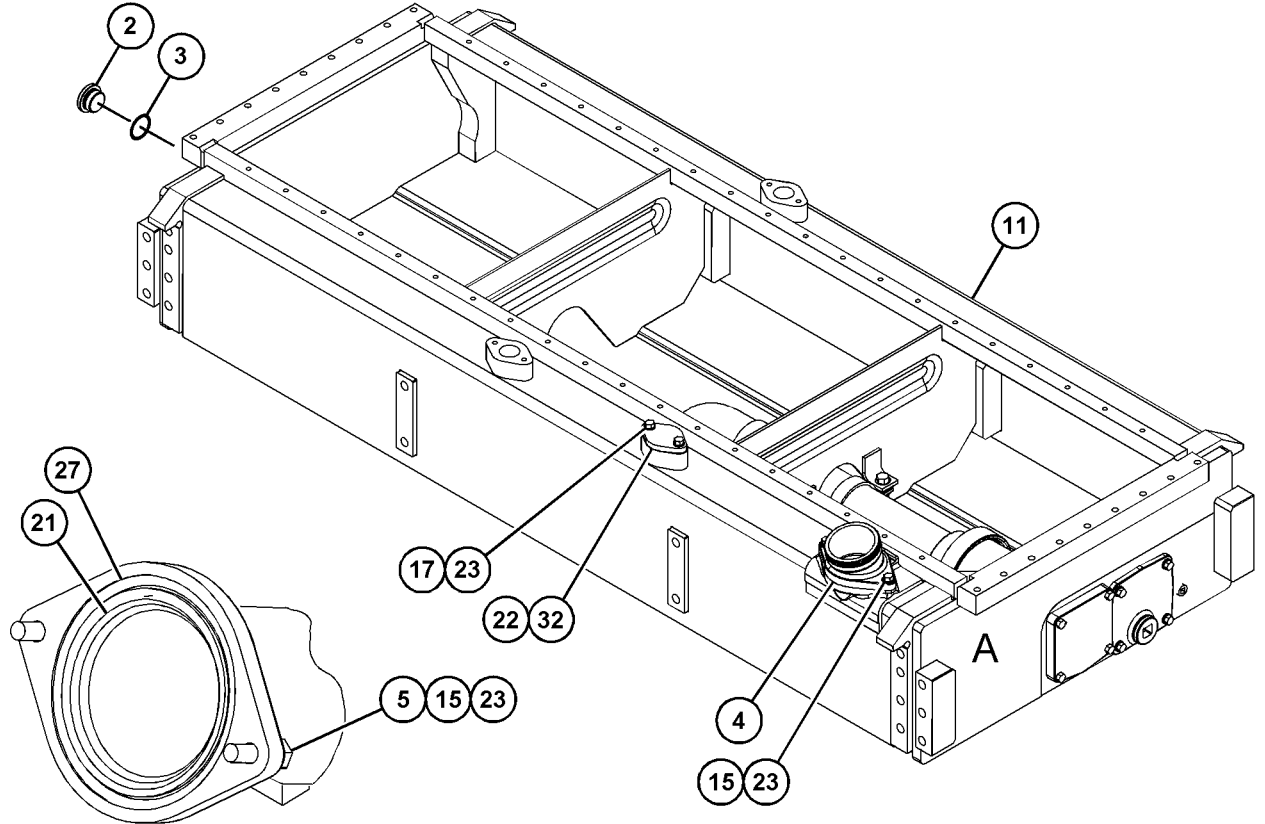
NOTE	REF NO	GRAPHIC REF	PART NUMBER	QTY	PART NAME						SEE PAGE
					1	2	3	4	5	6 (PRODUCT LEVEL)	
C	1	1	<b>1W-1564</b>	1	SCREEN AS-SUCTION (ENGINE OIL PAN)						
	2	1	<b>4B-2363</b>	2	PLUG-OIL DRAIN (ENGINE OIL PAN)						
	3	1	<b>6F-4868</b>	2	GASKET						
	4	1	<b>7C-4715</b>	1	CONNECTOR						
	5	1	<b>7W-0129</b>	1	FLANGE						
	6	1	<b>111-2081</b>	1	HOUSING-OIL						
	7	1	<b>114-2414</b>	1	TUBE AS						
	8	1	<b>149-9298</b>	1	COVER						
C	9	1	<b>228-8926</b>	1	ADAPTER						
C	10	1	<b>229-8875</b>	1	TUBE-SUCTION						
C	11	1	<b>229-8876</b>	1	PAN AS-OIL						
C	12	1	<b>231-5867</b>	4	CLAMP						
C	13	1	<b>0L-1351</b>	5	BOLT (3/8-16X0.875-IN)						
C	14	1	<b>0S-1585</b>	2	BOLT (1/2-13X1.5-IN)						
	15	1	<b>0S-1588</b>	4	BOLT (3/8-16X1.25-IN)						
	16	1	<b>0S-1590</b>	2	BOLT (3/8-16X2-IN)						
	17	1	<b>0S-1594</b>	2	BOLT (3/8-16X1-IN)						
	18	1	<b>125-9794</b>	1	SEAL-O-RING						
C	19	1	<b>1A-2029</b>	4	BOLT (3/8-16X1.125-IN)						
C	20	1	<b>1K-6872</b>	2	LOCKNUT (1/2-13-THD)						
C	21	1	<b>3P-0654</b>	2	SEAL-O-RING						
	22	1	<b>4B-3140</b>	1	COVER						
C	23	1	<b>5M-2894</b>	11	WASHER-HARD (10.2X18.5X2.5-MM THK)						
	24	1	<b>5P-7818</b>	1	SEAL-O-RING						
C	25	1	<b>5P-8245</b>	6	WASHER-HARD (13.5X25.5X3-MM THK)						
	26	1	<b>5P-8872</b>	1	SEAL-O-RING						
	27	1	<b>6V-5101</b>	1	SEAL-O-RING						
C	28	1	<b>7B-3235</b>	2	BOLT (1/2-13X1.375-IN)						
	29	1	<b>7X-1547</b>	2	SEAL-O-RING						
	30	1	<b>8M-9024</b>	2	WASHER-HARD (10.2X22.5X5-MM THK)						
	31	1	<b>8T-6762</b>	1	PLUG-PIPE (1/2-14-THD)						
	32	1	<b>9L-1480</b>	1	GASKET						

C - CHANGE FROM PREVIOUS TYPE

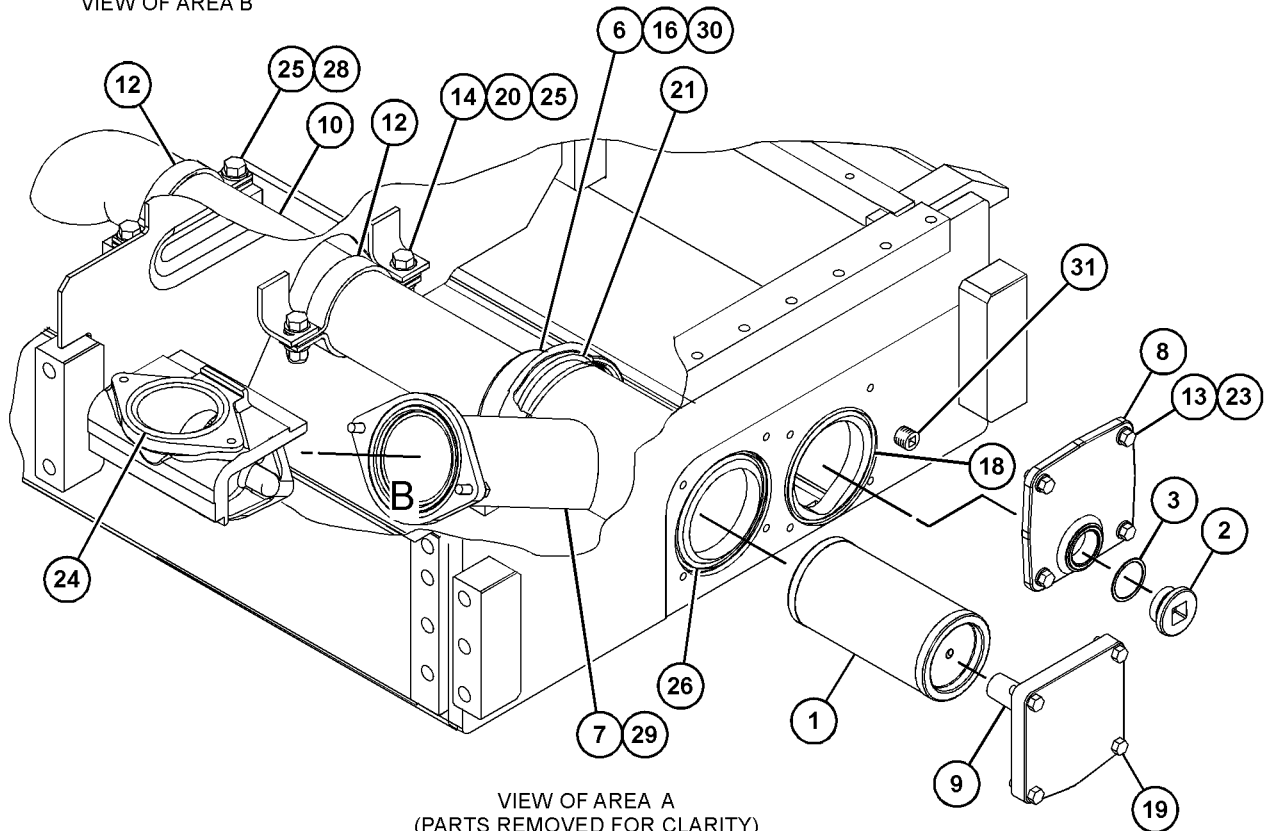
# BASIC ENGINE

9Y-3087 PAN GP-OIL (contd.)

i07531421



VIEW OF AREA B



VIEW OF AREA A  
(PARTS REMOVED FOR CLARITY)

GRAPHIC #1

<END>

g06351834

# BASIC ENGINE

## 359-6244 PARTS GP-ENGINE OVERHAUL

S/N: 66Z190-578

FOR USE WITH 1W-4219 ENGINE AR, 2W-8868 ENGINE AR, TOP END OVERHAUL  
FIELD INSTALLATION

SMCS-1000

i06098755

NOTE	PART NUMBER	QTY	PART NAME 1 2 3 4 5 6 (PRODUCT LEVEL)	SEE PAGE
	<b>20R-0044</b>	1	KIT-ENGINE OVERHAUL	
			(PRIOR TO ORDERING THE ABOVE KIT, PLEASE REFERENCE IRM PELJ1171 & VERIFY THAT THE CORRECT REMAN CYLINDER HEAD & INJECTORS ARE IN THE KIT BASED ON SELECTED ENGINE ARRANGEMENT & SERIAL NUMBER RANGE.)	
	<b>OR-3051</b>	12	INJECTOR GP-FUEL	
	<b>1S-4810</b>	2	GASKET-OIL DRAIN	
	<b>1S-6595</b>	2	GASKET-OIL SUPPLY	
	<b>1W-1251</b>	5	GASKET	
	<b>4N-1320</b>	4	GASKET (ADAPTER)	
	<b>5P-0840</b>	30	SEAL-O-RING	
	<b>5P-7530</b>	12	SEAL-O-RING	
	<b>5P-9890</b>	2	SEAL-O-RING	
	<b>6J-2245</b>	12	SEAL-O-RING	
	<b>6V-1454</b>	2	SEAL-O-RING	
	<b>6V-3319</b>	2	SEAL-O-RING	
	<b>6V-3917</b>	4	SEAL-O-RING	
	<b>6V-4589</b>	6	SEAL-O-RING	
	<b>6V-5048</b>	1	SEAL-O-RING	
	<b>6V-5066</b>	2	SEAL-O-RING	
	<b>6V-5101</b>	12	SEAL-O-RING	
	<b>6V-5167</b>	4	SEAL-O-RING	
	<b>6V-6228</b>	40	SEAL-O-RING	
	<b>6V-6809</b>	2	SEAL-O-RING	
	<b>6V-9027</b>	2	SEAL-O-RING	
	<b>6V-9769</b>	30	SEAL-O-RING	
	<b>7E-1754</b>	15	GASKET-EXHAUST MANIFOLD	
	<b>7L-4773</b>	4	SEAL-O-RING	
	<b>7N-3368</b>	1	GASKET	
	<b>7N-5080</b>	12	GASKET-MANIFOLD	
	<b>7N-5089</b>	12	GASKET	
	<b>7N-6806</b>	4	SEAL-RECTANGULAR	
	<b>033-6031</b>	5	SEAL-O-RING	
	<b>10R-8619</b>	12	CYLINDER HEAD GP	
	<b>110-6991</b>	12	GASKET-CYLINDER HEAD	
	<b>121-5736</b>	2	GASKET (TURBOCHARGER)	
	<b>127-2176</b>	15	SEAL-INTEGRAL	
	<b>144-5692</b>	12	GASKET-PLATE	
	<b>207-1354</b>	4	GASKET-EXHAUST MANIFOLD	
	<b>214-7568</b>	30	SEAL-O-RING	
	<b>230-1072</b>	2	GASKET	
	<b>238-5080</b>	1	SEAL-O-RING	
	<b>240-7032</b>	12	SEAL	
	<b>245-3512</b>	1	GASKET (EXHAUST)	
	<b>252-8374</b>	2	GASKET	
	<b>272-0757</b>	1	SEAL-VALVE COVER	
	<b>325-1410</b>	48	SEAL AS-WATER	

# BASIC ENGINE

359-6244 PARTS GP-ENGINE OVERHAUL (contd.)

106098755

NOTE	PART NUMBER	QTY	PART NAME						SEE PAGE
			1	2	3	4	5	6 (PRODUCT LEVEL)	
	325-1412	48	SEAL AS-WATER						

FOR A LIST OF RELATED PARTS THAT REQUIRED FOR THE ENGINE REBUILD TO THE KIT CONSIST, PLEASE VISIT

[HTTPS://DEALER.CAT.COM/RELATED](https://dealer.cat.com/related)

<END>

# BASIC ENGINE

## 359-6247 PARTS GP-ENGINE OVERHAUL

S/N: 50Y647-1304

FOR USE WITH 2W-8862 ENGINE AR, TOP END OVERHAUL  
FIELD INSTALLATION

SMCS-1000

i06098880

NOTE	PART NUMBER	QTY	PART NAME 1 2 3 4 5 6 (PRODUCT LEVEL)	SEE PAGE
	<b>20R-0049</b>	1	KIT-ENGINE OVERHAUL	
			(PRIOR TO ORDERING THE ABOVE KIT, PLEASE REFERENCE IRM PELJ1171 & VERIFY THAT THE CORRECT REMAN CYLINDER HEAD & INJECTORS ARE IN THE KIT BASED ON SELECTED ENGINE ARRANGEMENT & SERIAL NUMBER RANGE.)	
	<b>0R-2921</b>	12	INJECTOR GP-FUEL	
	<b>1S-4810</b>	2	GASKET-OIL DRAIN	
	<b>1S-6595</b>	2	GASKET-OIL SUPPLY	
	<b>1W-1251</b>	10	GASKET	
	<b>4N-1320</b>	4	GASKET (ADAPTER)	
	<b>4W-2359</b>	4	GASKET	
	<b>5P-0840</b>	30	SEAL-O-RING	
	<b>5P-7530</b>	12	SEAL-O-RING	
	<b>5P-9890</b>	2	SEAL-O-RING	
	<b>6J-2245</b>	12	SEAL-O-RING	
	<b>6V-1454</b>	2	SEAL-O-RING	
	<b>6V-3319</b>	2	SEAL-O-RING	
	<b>6V-3917</b>	4	SEAL-O-RING	
	<b>6V-4589</b>	6	SEAL-O-RING	
	<b>6V-5048</b>	1	SEAL-O-RING	
	<b>6V-5066</b>	2	SEAL-O-RING	
	<b>6V-5101</b>	12	SEAL-O-RING	
	<b>6V-5167</b>	4	SEAL-O-RING	
	<b>6V-6228</b>	40	SEAL-O-RING	
	<b>6V-6809</b>	2	SEAL-O-RING	
	<b>6V-9027</b>	2	SEAL-O-RING	
	<b>6V-9769</b>	30	SEAL-O-RING	
	<b>7E-1754</b>	15	GASKET-EXHAUST MANIFOLD	
	<b>7L-4773</b>	4	SEAL-O-RING	
	<b>7N-3368</b>	1	GASKET	
	<b>7N-5080</b>	12	GASKET-MANIFOLD	
	<b>7N-5089</b>	12	GASKET	
	<b>7N-6806</b>	4	SEAL-RECTANGULAR	
	<b>033-6031</b>	5	SEAL-O-RING	
	<b>10R-8844</b>	12	CYLINDER HEAD GP	
	<b>110-6991</b>	12	GASKET-CYLINDER HEAD	
	<b>121-5736</b>	2	GASKET (TURBOCHARGER)	
	<b>127-2176</b>	15	SEAL-INTEGRAL	
	<b>144-5692</b>	12	GASKET-PLATE	
	<b>214-7568</b>	30	SEAL-O-RING	
	<b>230-1072</b>	2	GASKET	
	<b>238-5080</b>	1	SEAL-O-RING	
	<b>240-7032</b>	12	SEAL	
	<b>245-3512</b>	1	GASKET (EXHAUST)	
	<b>252-8374</b>	2	GASKET	
	<b>272-0757</b>	1	SEAL-VALVE COVER	
	<b>325-1410</b>	48	SEAL AS-WATER	

# BASIC ENGINE

359-6247 PARTS GP-ENGINE OVERHAUL (contd.)

106098880

NOTE	PART NUMBER	QTY	PART NAME						SEE PAGE
			1	2	3	4	5	6 (PRODUCT LEVEL)	
	325-1412	48							SEAL AS-WATER

FOR A LIST OF RELATED PARTS THAT REQUIRED FOR THE ENGINE REBUILD TO THE KIT CONSIST, PLEASE VISIT

[HTTPS://DEALER.CAT.COM/RELATED](https://dealer.cat.com/related)

<END>

# BASIC ENGINE

## 281-6139 PISTON & ROD GP

S/N: 50Y647-1304

PART OF 376-4849 ENGINE AR-COMplete

SMCS-1225

i07081745

NOTE	REF NO	GRAPHIC REF	PART NUMBER	QTY	PART NAME						SEE PAGE
					1	2	3	4	5	6 (PRODUCT LEVEL)	
R	1	1	<b>144-0725</b>	1	ROD AS-CONNECTING						
		1	<b>7N-2043</b>	1	DOWEL						
	1A	1	<b>7N-2405</b>	4	BOLT-CONNECTING ROD						
	1B	1	<b>118-1655</b>	1	BUSHING (CONNECTING ROD)						
	2	1	<b>107-7330</b>	1	BEARING-CONNECTING ROD (STANDARD)						
AB		1	<b>107-7331</b>		BEARING-CONNECTING ROD (0.63-MM US)						
AB		1	<b>107-7332</b>		BEARING-CONNECTING ROD (1.27-MM US)						
AB		1	<b>107-7333</b>		BEARING-CONNECTING ROD (0.25-MM OS)						
AB		1	<b>107-7334</b>		BEARING-CONNECTING ROD (0.25-MM OS, 0.63-MM US)						
AB		1	<b>107-7335</b>		BEARING-CONNECTING ROD (0.25-MM OS, 1.27-MM US)						
	3	1	<b>144-5695</b>	1	RING-PISTON (INTERMEDIATE)						
	4	1	<b>193-3282</b>	1	RETAINER AS (FOR USE WITH 1-PC PISTON ONLY)						
		1	<b>6V-3537</b>	1	DOWEL						
	5	1	<b>204-5447</b>	1	JET AS-PISTON COOLING (FOR USE WITH 1-PC PISTON ONLY)						
	6	1	<b>509-6461</b>	1	RING-PISTON (TOP)						
	7	1	<b>223-6361</b>	1	RING-PISTON (OIL)						
	8	1	<b>253-1238</b>	2	RETAINER-PIN						
	9	1	<b>263-8955</b>	1	PIN-PISTON						
R	10	1	<b>299-5204</b>	1	PISTON AS						
	11	1	<b>0T-0102</b>	1	BOLT (3/8-16X0.625-IN)						
	12	1	<b>1B-2790</b>	1	BOLT (5/16-18X1.375-IN)						
	13	1	<b>5M-2894</b>	1	WASHER-HARD (10.2X18.5X2.5-MM THK)						
	14	1	<b>9M-1974</b>	1	WASHER-HARD (8.8X16X2-MM THK)						

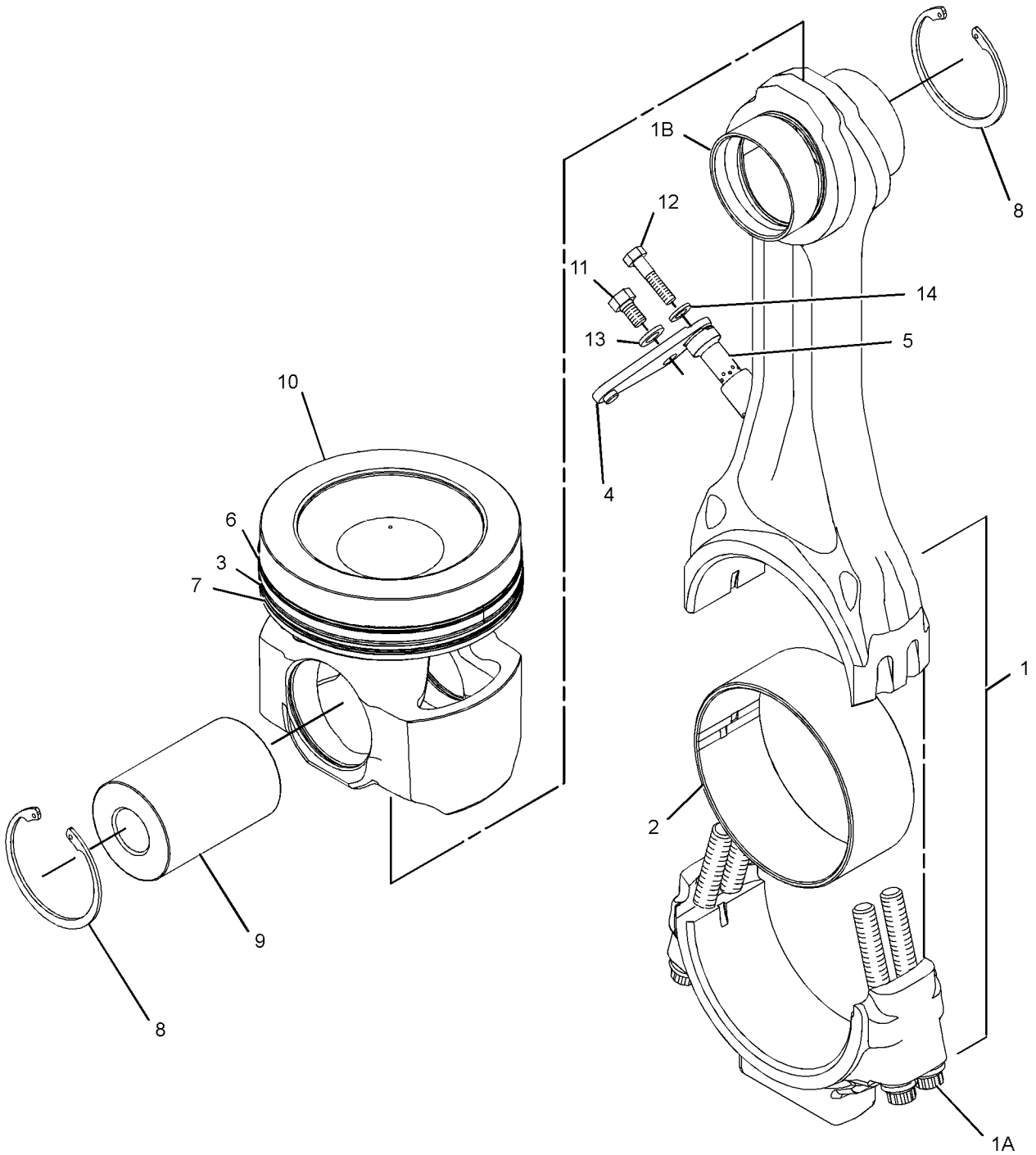
A - NOT PART OF THIS GROUP  
 B - USE AS REQUIRED  
 R - REMANUFACTURED PART MAY BE AVAILABLE



# BASIC ENGINE

281-6139 PISTON & ROD GP (contd.)

i07081745



GRAPHIC #1

<END>

g01217603

# BASIC ENGINE

## 281-6141 PISTON & ROD GP\*R

S/N: 50Y647-1304

PART OF 357-0858 ENGINE AR-COMPLETE

SMCS-1225

i07152852

NOTE	REF NO	GRAPHIC REF	PART NUMBER	QTY	PART NAME						SEE PAGE
					1	2	3	4	5	6 (PRODUCT LEVEL)	
	1	1	<b>107-7330</b>	1	BEARING-CONNECTING ROD (STANDARD)						
AB		1	<b>107-7331</b>		BEARING-CONNECTING ROD (0.63-MM US)						
AB		1	<b>107-7332</b>		BEARING-CONNECTING ROD (1.27-MM US)						
AB		1	<b>107-7333</b>		BEARING-CONNECTING ROD (0.25-MM OS)						
AB		1	<b>107-7334</b>		BEARING-CONNECTING ROD (0.25-MM OS, 0.63-MM US)						
AB		1	<b>107-7335</b>		BEARING-CONNECTING ROD (0.25-MM OS, 1.27-MM US)						
AB		1	<b>355-8508</b>		BEARING-CONNECTING ROD						
AB		1	<b>463-3903</b>		BEARING-CONNECTING ROD (0.63-MM US)						
AB		1	<b>463-3904</b>		BEARING-CONNECTING ROD (1.27-MM US)						
AB		1	<b>463-3905</b>		BEARING-CONNECTING ROD (0.25-MM OS)						
AB		1	<b>463-3907</b>		BEARING-CONNECTING ROD (0.25-MM OS, 0.63-MM US)						
AB		1	<b>463-3950</b>		BEARING-CONNECTING ROD (0.25-MM OS, 1.27-MM US)						
R	2	1	<b>144-0725</b>	1	ROD AS-CONNECTING						
	2A	1	<b>7N-2043</b>	1	DOWEL						
	2B	1	<b>7N-2405</b>	4	BOLT-CONNECTING ROD						
	2C	1	<b>118-1655</b>	1	BUSHING (CONNECTING ROD)						
	3	1	<b>144-5695</b>	1	RING-PISTON (INTERMEDIATE)						
	4	1	<b>193-3282</b>	1	RETAINER AS (FOR USE WITH 1-PC PISTON ONLY)						
		1	<b>6V-3537</b>	1	DOWEL						
	5	1	<b>204-5447</b>	1	JET AS-PISTON COOLING (FOR USE WITH 1-PC PISTON ONLY)						
	6	1	<b>509-6461</b>	1	RING-PISTON (TOP)						
	7	1	<b>223-6361</b>	1	RING-PISTON (OIL)						
	8	1	<b>253-1238</b>	2	RETAINER-PIN						
	9	1	<b>263-8955</b>	1	PIN-PISTON						
R	10	1	<b>374-2082</b>	1	PISTON AS						
	11	1	<b>0T-0102</b>	1	BOLT (3/8-16X0.625-IN)						
	12	1	<b>1B-2790</b>	1	BOLT (5/16-18X1.375-IN)						
	13	1	<b>5M-2894</b>	1	WASHER-HARD (10.2X18.5X2.5-MM THK)						
	14	1	<b>9M-1974</b>	1	WASHER-HARD (8.8X16X2-MM THK)						

A - NOT PART OF THIS GROUP

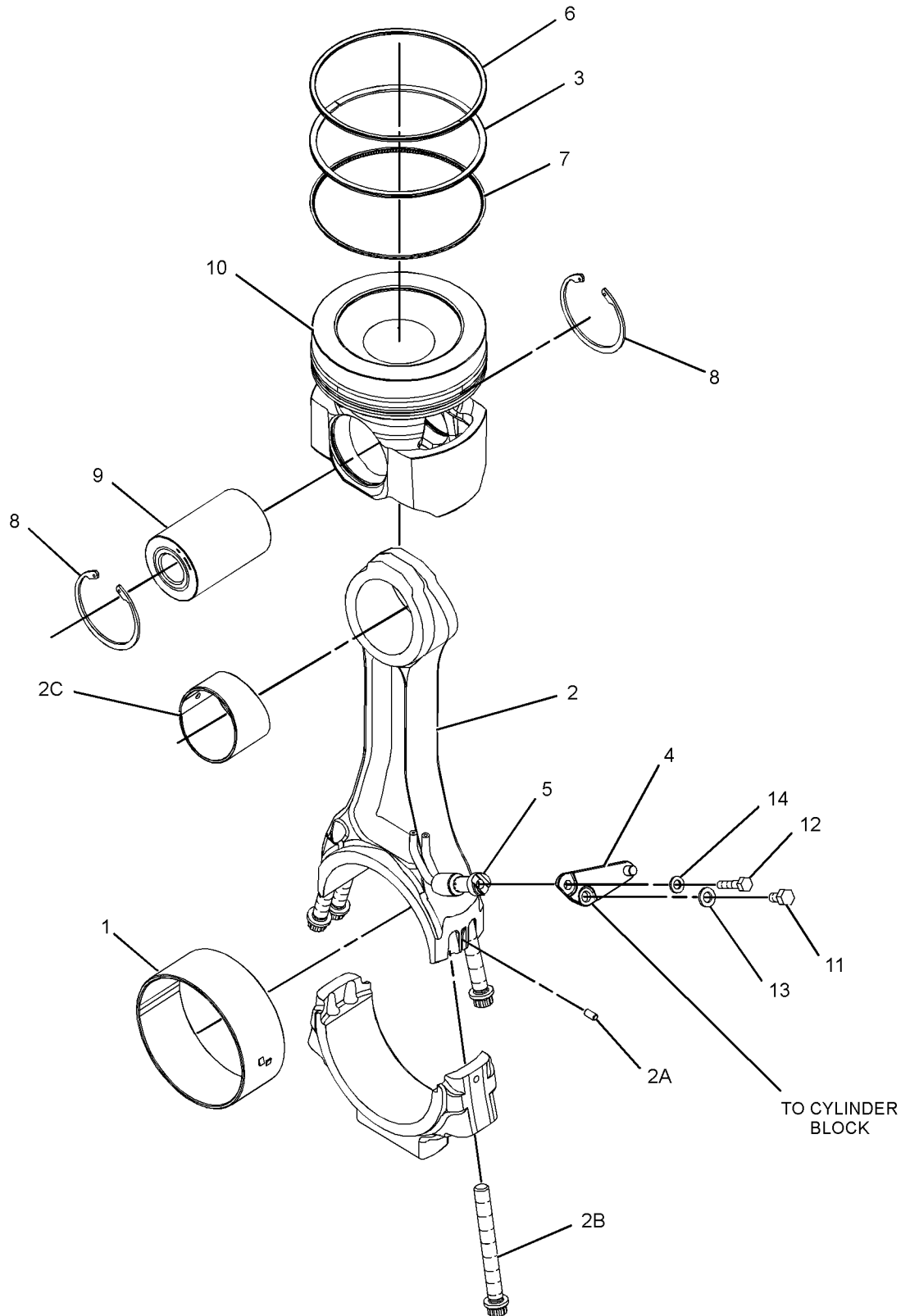
B - USE AS REQUIRED

R - REMANUFACTURED PART MAY BE AVAILABLE

# BASIC ENGINE

281-6141 PISTON & ROD GP (contd.)

107152852



GRAPHIC #1

<END>

g01212022

# BASIC ENGINE

## 7W-1988 PISTON & ROD GP

S/N: 50Y660-740; 66Z190-266

SMCS - 1225

i00551501

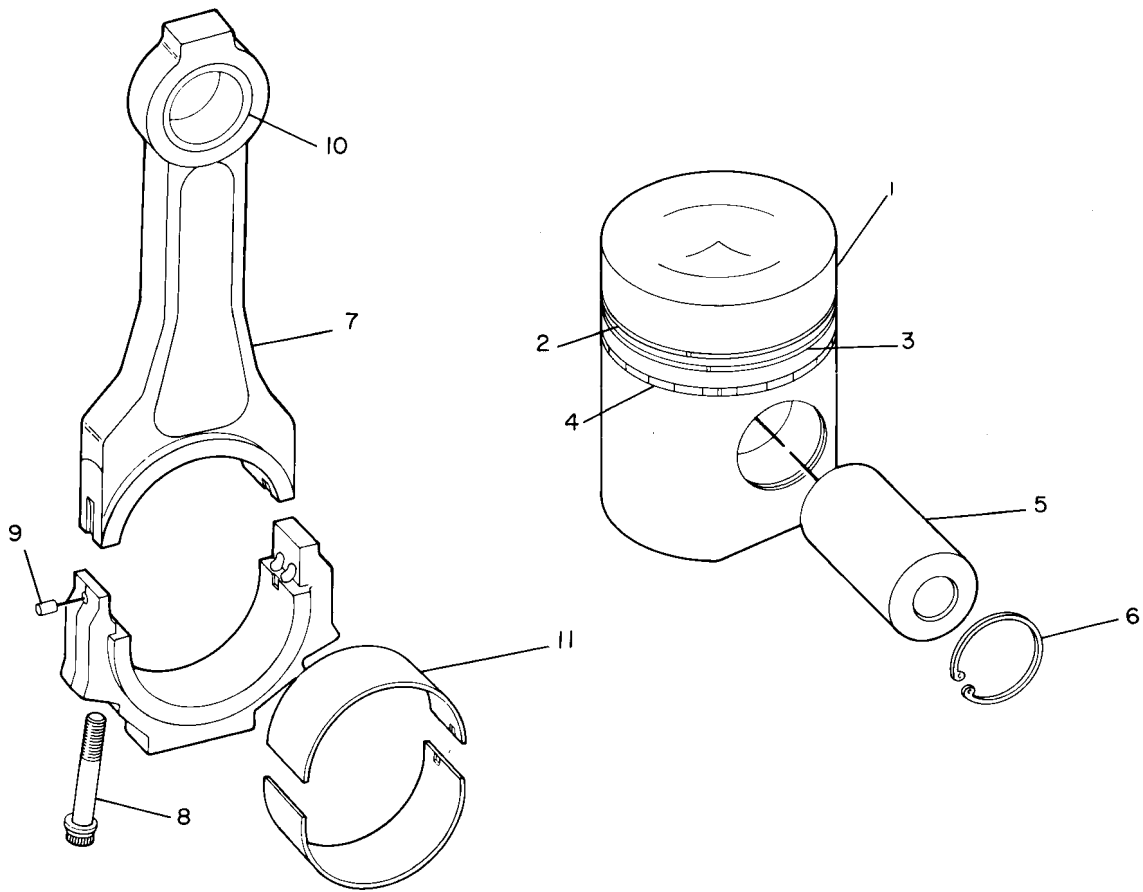
NOTE	REF NO	GRAPHIC REF	PART NUMBER	QTY	PART NAME						SEE PAGE
					1	2	3	4	5	6 (PRODUCT LEVEL)	
	1	1	<b>4W-7402</b>	1	BODY AS-PISTON						
	2	1	<b>8N-1233</b>	1	RING-PISTON (TOP) (TOP)						
	3	1	<b>8N-7810</b>	1	RING-PISTON (INTERMEDIATE) (INTERMEDIATE)						
	4	1	<b>7W-2221</b>	1	RING (OIL) (OIL)						
	5	1	<b>4W-7403</b>	1	PIN-PISTON						
	6	1	<b>8N-7296</b>	2	RETAINER-PIN						
	7	1	<b>8N-6020</b>	1	ROD AS-CONNECTING						
	8	1	<b>7N-2405</b>	4	BOLT-CONNECTING ROD						
	9	1	<b>7N-2043</b>	1	DOWEL						
	10	1	<b>1W-9166</b>	1	BUSHING						
	11	1	<b>1W-7538</b>	1	BEARING-CONNECTING ROD						
A		1	<b>4W-5709</b>	1	BEARING-CONNECTING ROD (.63MM .025IN US)						
A		1	<b>4W-5710</b>	1	BEARING-CONNECTING ROD (1.27MM .05IN US)						
A		1	<b>4W-5711</b>	1	BEARING-CONNECTING ROD (.25MM .01IN OS)						
A		1	<b>4W-5712</b>	1	BEARING-CONNECTING ROD (.63MM .025IN US)						
					(.25MM .01IN OS)						
A		1	<b>4W-5713</b>	1	BEARING-CONNECTING ROD (1.27MM .05IN US)						
					(.25MM .01IN OS)						
A		1	<b>1N-3967</b>	1	RING GP-PISTON						
					(CONSISTS OF COMPLETE SET OF RINGS FOR ONE PISTON)						

A - NOT PART OF THIS GROUP

# BASIC ENGINE

7W-1988 PISTON & ROD GP (contd.)

100551501



GRAPHIC #1

<END>

g00201551

# BASIC ENGINE

## 7W-1988 PISTON & ROD GP

S/N: 50Y741-1304; 66Z267-578

SMCS - 1225

i01461184

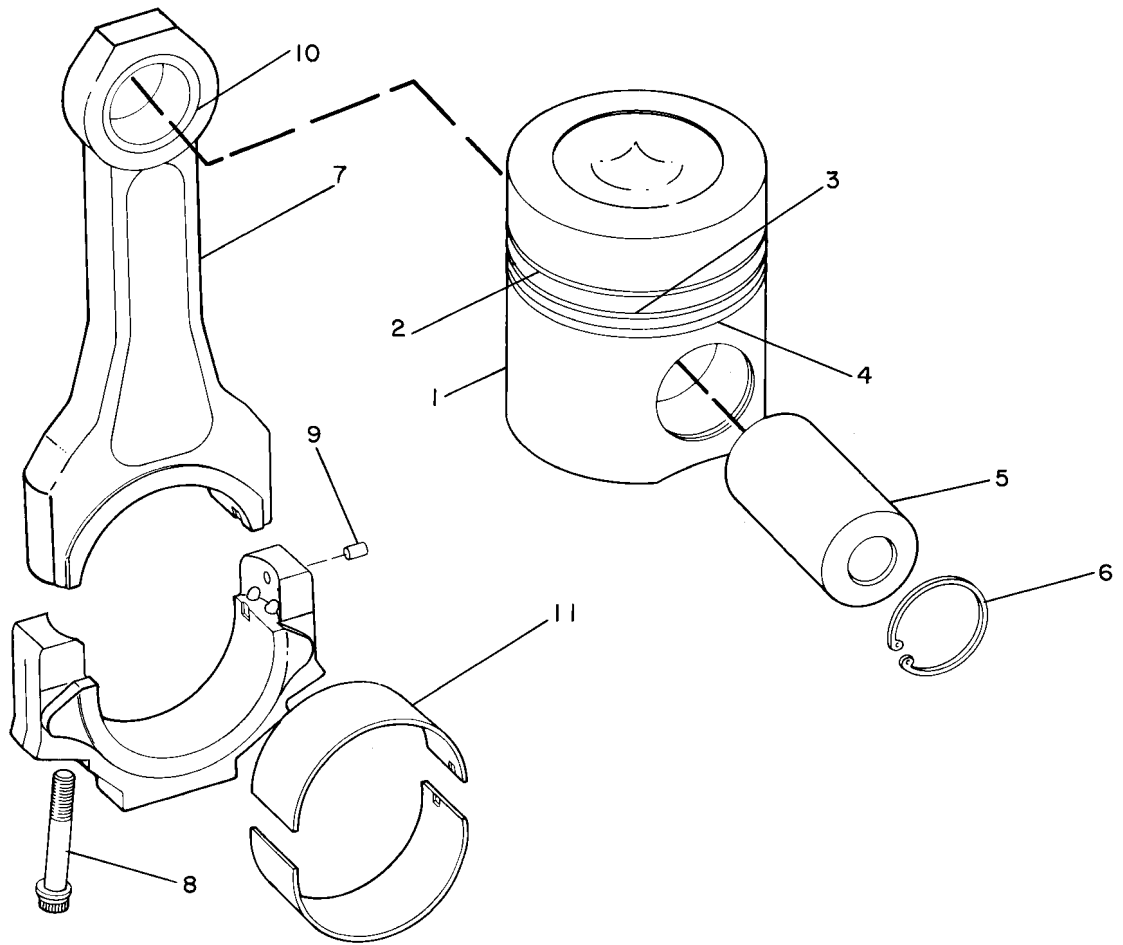
NOTE	REF NO	GRAPHIC REF	PART NUMBER	QTY	PART NAME						SEE PAGE
					1	2	3	4	5	6 (PRODUCT LEVEL)	
CR	1	1	<b>7C-2431</b>	1	BODY AS-PISTON						
	2	1	<b>8N-1233</b>	1	RING-PISTON (TOP)						
	3	1	<b>8N-7810</b>	1	RING-PISTON (INTERMEDIATE)						
	4	1	<b>7W-2221</b>	1	RING (OIL)						
C	5	1	<b>138-8506</b>	1	PIN-PISTON						
	6	1	<b>8N-7296</b>	2	RETAINER-PIN						
CR	7	1	<b>144-0725</b>	1	ROD AS-CONNECTING						
	8	1	<b>7N-2405</b>	4	BOLT-CONNECTING ROD						
	9	1	<b>7N-2043</b>	1	DOWEL						
	10	1	<b>118-1655</b>	1	BUSHING (CONNECTING ROD)						
	11	1	<b>107-7330</b>	1	BEARING-CONNECTING ROD (STANDARD)						
A		1	<b>107-7331</b>	1	BEARING-CONNECTING ROD (0.63-MM US)						
A		1	<b>107-7332</b>	1	BEARING-CONNECTING ROD (1.27-MM US)						
A		1	<b>107-7333</b>	1	BEARING-CONNECTING ROD (0.25-MM OS)						
A		1	<b>107-7334</b>	1	BEARING-CONNECTING ROD (0.25-MM OS, 0.63-MM US)						
A		1	<b>107-7335</b>	1	BEARING-CONNECTING ROD (0.25-MM OS, 1.27-MM US)						

A - NOT PART OF THIS GROUP  
 C - CHANGE FROM PREVIOUS TYPE  
 R - REMANUFACTURED PART MAY BE AVAILABLE

# BASIC ENGINE

7W-1988 PISTON & ROD GP (contd.)

101461184



GRAPHIC #1

<END>

g00197190

# BASIC ENGINE

## 8N-6224 PISTON & ROD GP

S/N: 50Y647-740; 66Z190-266

SMCS - 1225

i00651391

NOTE	REF NO	GRAPHIC REF	PART NUMBER	QTY	PART NAME						SEE PAGE
					1	2	3	4	5	6 (PRODUCT LEVEL)	
	1	1	<b>7W-0553</b>	1	PISTON GP						
		1	<b>7W-0552</b>	1	BODY AS-PISTON						
	2	1	<b>8N-1233</b>	1	RING-PISTON (TOP) (TOP)						
	3	1	<b>8N-7810</b>	1	RING-PISTON (INTERMEDIATE) (INTERMEDIATE)						
C	4	1	<b>7W-2221</b>	1	RING (OIL) (OIL)						
	5	1	<b>4W-8484</b>	1	PIN-PISTON						
	6	1	<b>8N-7296</b>	2	RETAINER-PIN						
	7	1	<b>8N-6020</b>	1	ROD AS-CONNECTING						
	8	1	<b>7N-2405</b>	4	BOLT-CONNECTING ROD						
	9	1	<b>7N-2043</b>	1	DOWEL						
	10	1	<b>1W-9166</b>	1	BUSHING						
C	11	1	<b>1W-7538</b>	1	BEARING-CONNECTING ROD						
A		1	<b>4W-5709</b>	1	BEARING-CONNECTING ROD (.635MM)						
A		1	<b>4W-5710</b>	1	BEARING-CONNECTING ROD (1.27MM)						
A		1	<b>4W-5711</b>	1	BEARING-CONNECTING ROD (.254MM)						
A		1	<b>4W-5712</b>	1	BEARING-CONNECTING ROD (.635MM)						
A		1	<b>4W-5713</b>	1	BEARING-CONNECTING ROD (1.27MM)						
A		1	<b>1N-3967</b>	1	RING GP-PISTON						
(INCLUDES ONE COMPLETE SET OF RINGS)											

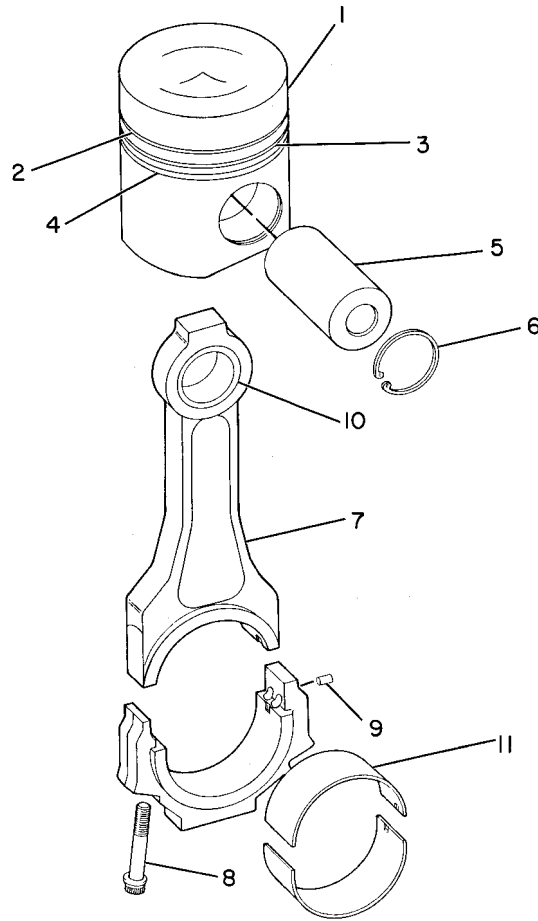
A - NOT PART OF THIS GROUP  
 C - CHANGE FROM PREVIOUS TYPE



# BASIC ENGINE

8N-6224 PISTON & ROD GP (contd.)

100651391



GRAPHIC #1

<END>

g00176157

# BASIC ENGINE

## 8N-6224 PISTON & ROD GP

S/N: 50Y741-1304; 66Z267-578

SMCS - 1225

i02390829

NOTE	REF NO	GRAPHIC REF	PART NUMBER	QTY	PART NAME						SEE PAGE
					1	2	3	4	5	6 (PRODUCT LEVEL)	
	1	1	7W-0553	1	PISTON GP						
R		1	9Y-4124	1	BODY AS-PISTON						
	2	1	8N-1233	1	RING-PISTON (TOP)						
	3	1	8N-7810	1	RING-PISTON (INTERMEDIATE)						
	4	1	7W-2221	1	RING (OIL)						
	5	1	138-8506	1	PIN-PISTON						
	6	1	8N-7296	2	RETAINER-PIN						
R	7	1	144-0725	1	ROD AS-CONNECTING						
	8	1	7N-2405	4	BOLT-CONNECTING ROD						
	9	1	7N-2043	1	DOWEL						
	10	1	118-1655	1	BUSHING (CONNECTING ROD)						
	11	1	107-7330	1	BEARING-CONNECTING ROD (STANDARD)						
A		1	107-7331	1	BEARING-CONNECTING ROD (0.63-MM US)						
A		1	107-7332	1	BEARING-CONNECTING ROD (1.27-MM US)						
A		1	107-7333	1	BEARING-CONNECTING ROD (0.25-MM OS)						
A		1	107-7334	1	BEARING-CONNECTING ROD (0.25-MM OS, 0.63-MM US)						
A		1	107-7335	1	BEARING-CONNECTING ROD (0.25-MM OS, 1.27-MM US)						
A		1	1N-3967	1	RING GP-PISTON						
(INCLUDES ONE COMPLETE SET OF RINGS)											

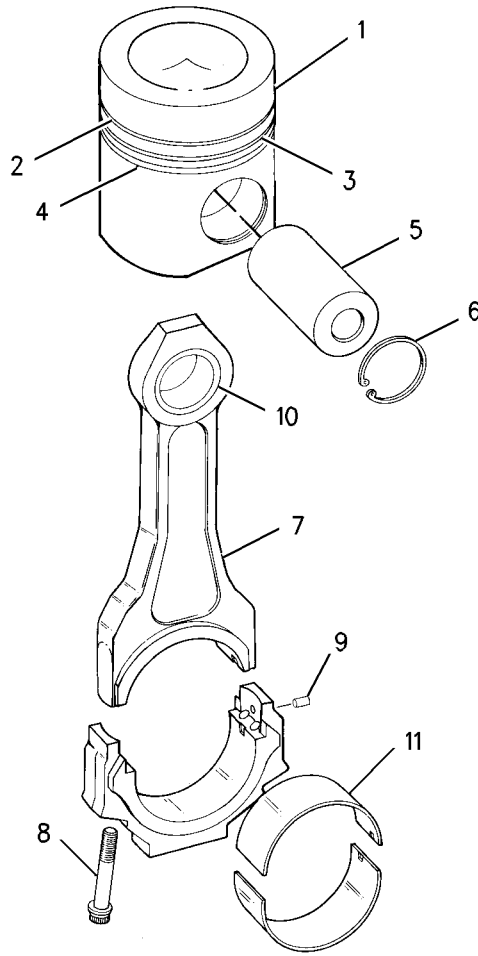
A - NOT PART OF THIS GROUP

R - REMANUFACTURED PART MAY BE AVAILABLE

# BASIC ENGINE

8N-6224 PISTON & ROD GP (contd.)

102390829



GRAPHIC #1

<END>

g00764172

# BASIC ENGINE

## 8N-7952 PISTON & ROD GP

S/N: 50Y647-659

SMCS - 1225

i00969758

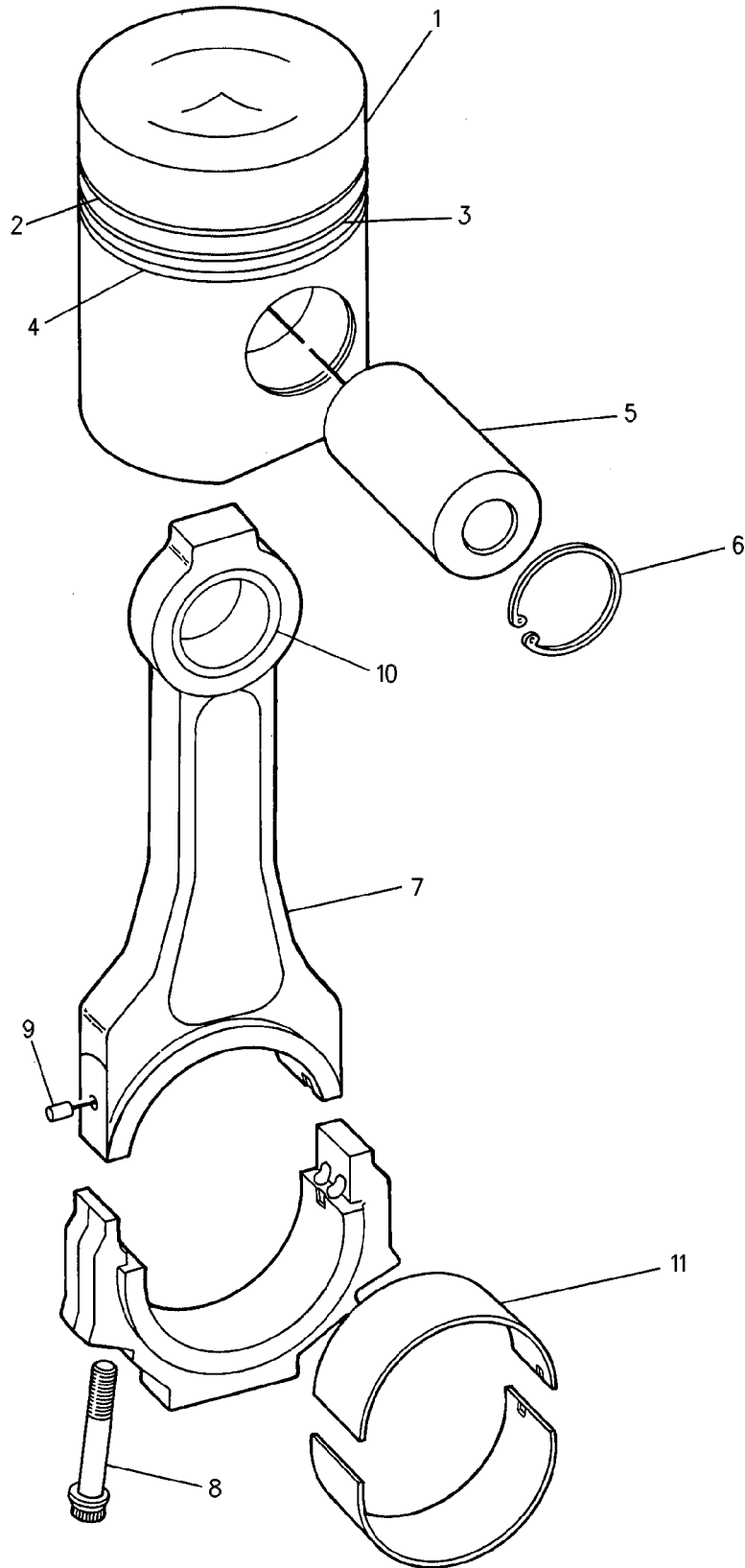
NOTE	REF NO	GRAPHIC REF	PART NUMBER	QTY	PART NAME						SEE PAGE
					1	2	3	4	5	6 (PRODUCT LEVEL)	
	1	1	<b>8N-7963</b>	1	PISTON GP						
C		1	<b>4W-7402</b>	1	BODY AS-PISTON						
	2	1	<b>8N-1233</b>	1	RING-PISTON (TOP) (TOP)						
	3	1	<b>8N-7810</b>	1	RING-PISTON (INTERMEDIATE) (INTERMEDIATE)						
C	4	1	<b>7W-2221</b>	1	RING (OIL) (OIL)						
	5	1	<b>7N-2393</b>	1	PIN-PISTON						
	6	1	<b>8N-7296</b>	2	RETAINER-PIN						
C	7	1	<b>1W-4800</b>	1	ROD AS-CONNECTING						
	8	1	<b>7N-2405</b>	4	BOLT-CONNECTING ROD						
	9	1	<b>7N-2043</b>	1	DOWEL						
C	10	1	<b>1W-9166</b>	1	BUSHING						
	11	1	<b>7N-2394</b>	1	BEARING-CONNECTING ROD (STANDARD)						
A		1	<b>1N-4071</b>	1	BEARING-CONNECTING ROD (.635MM /.025IN. U.S.)						
A		1	<b>1N-4072</b>	1	BEARING-CONNECTING ROD (1.27MM /.050IN. U.S.)						
A		1	<b>1N-4073</b>	1	BEARING-CONNECTING ROD (.254MM /.010IN. O.S.)						
A		1	<b>1N-4074</b>	1	BEARING-CONNECTING ROD (.635MM /.025IN. U.S.)						
A		1	<b>1N-4075</b>	1	BEARING-CONNECTING ROD (1.27MM /.050IN. U.S.)						
A		1	<b>1N-3967</b>	1	RING GP-PISTON						
					(CONSISTS OF COMPLETE SET OF RINGS FOR ONE PISTON)						

A - NOT PART OF THIS GROUP  
 C - CHANGE FROM PREVIOUS TYPE

# BASIC ENGINE

8N-7952 PISTON & ROD GP (contd.)

i00969758



GRAPHIC #1

<END>

g00501272

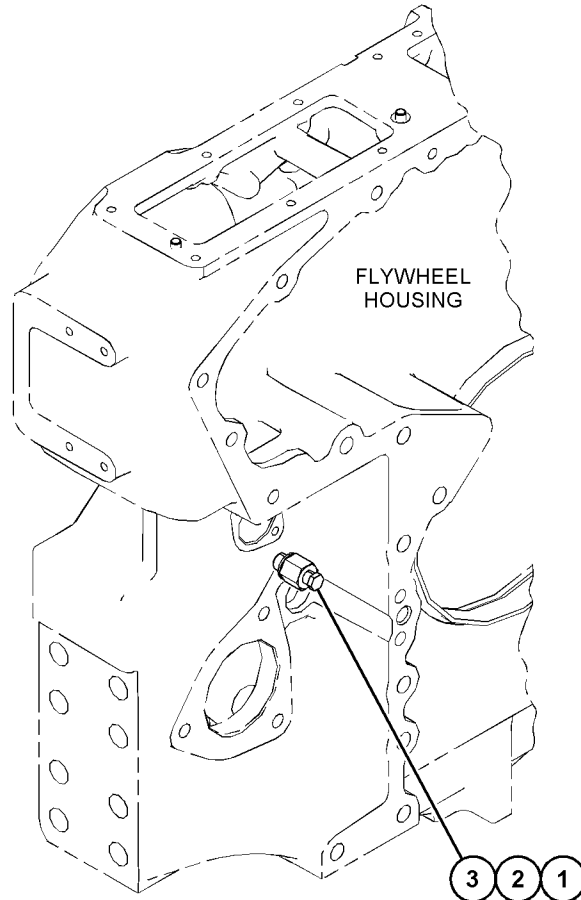
# BASIC ENGINE

## 520-7434 PLUG GP-FLYWHEEL HOUSING AN ATTACHMENT

SMCS-1157

i07140717

NOTE	REF NO	GRAPHIC REF	PART NUMBER	QTY	PART NAME						SEE PAGE
					1	2	3	4	5	6 (PRODUCT LEVEL)	
	1	1	<b>4B-8407</b>	1	GASKET - COPPER						
	2	1	<b>104-4767</b>	1	ADAPTER						
	3	1	<b>8T-6765</b>	1	PLUG-PIPE (1/4-18-THD)						



GRAPHIC #1

<END>

g06235031

# BASIC ENGINE

## 4W-5821 POWER TAKE-OFF GP

S/N: 50Y647-1304

CLUTCH

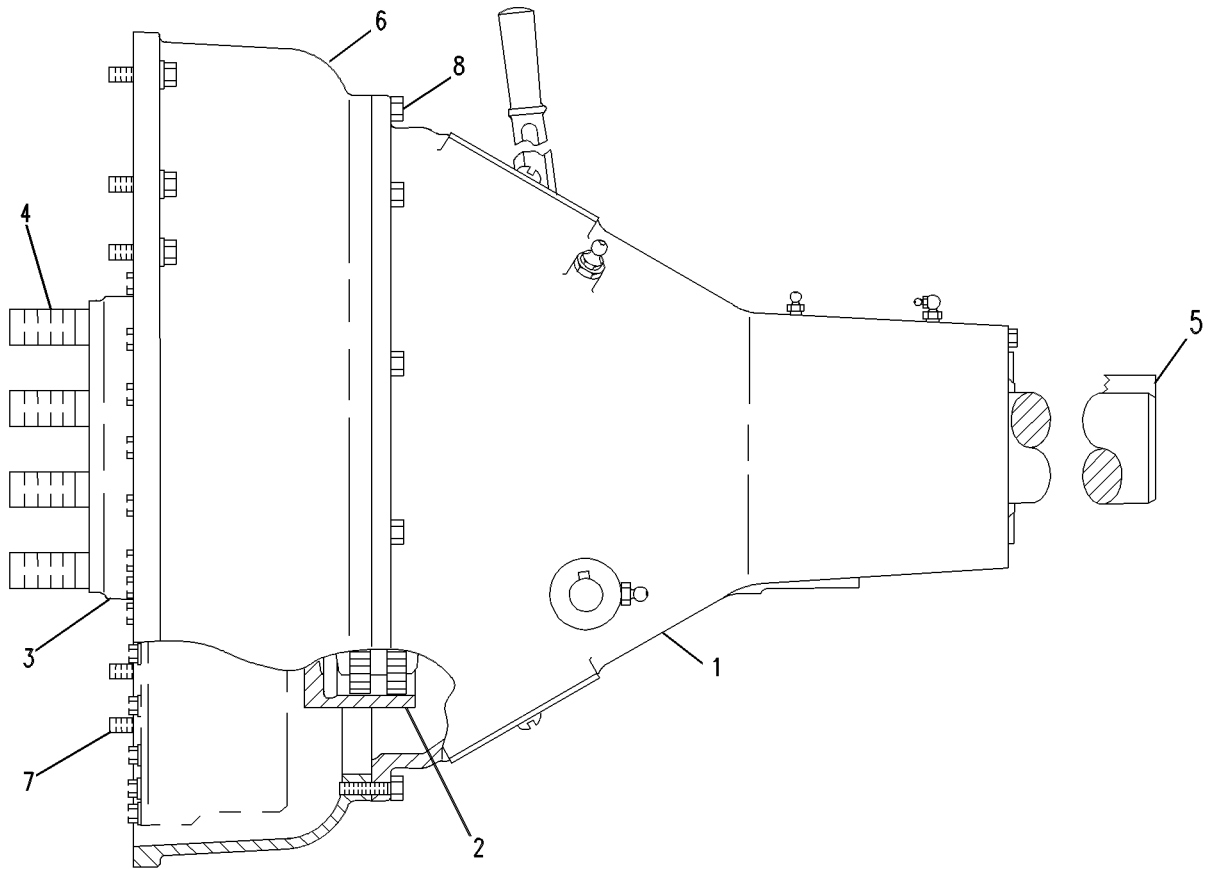
AN ATTACHMENT

SMCS-1165

i00969546

NOTE	REF NO	GRAPHIC REF	PART NUMBER	QTY	PART NAME						SEE PAGE
					1	2	3	4	5	6 (PRODUCT LEVEL)	
Y	1	1	<b>3N-4130</b>	1	CLUTCH GP (BASIC)						52
	2	1	<b>2W-8014</b>	1	COUPLING-FRONT PTO						
	3	1	<b>7W-0287</b>	1	ADAPTER-DAMPER						
	4	1	<b>5F-6932</b>	6	BOLT (1-14X7-IN)						
		1	<b>5P-8250</b>	6	WASHER (28X49X5-MM THK)						
	5	1	<b>7F-8896</b>	1	KEY-SQUARE						
	6	1	<b>7W-0285</b>	1	ADAPTER AS-FRONT						
		1	<b>4N-0683</b>	2	DOWEL						
	7	1	<b>0S-1587</b>	10	BOLT (1/2-13X1.75-IN)						
		1	<b>5P-8245</b>	10	WASHER-HARD (13.5X25.5X3-MM THK)						
	8	1	<b>0T-0320</b>	12	BOLT (7/16-14X1.25-IN)						

Y - SEPARATE ILLUSTRATION



GRAPHIC #1

<END>

g00501578

# BASIC ENGINE

## 7W-0281 POWER TAKE-OFF GP

S/N: 66Z190-578

CLUTCH

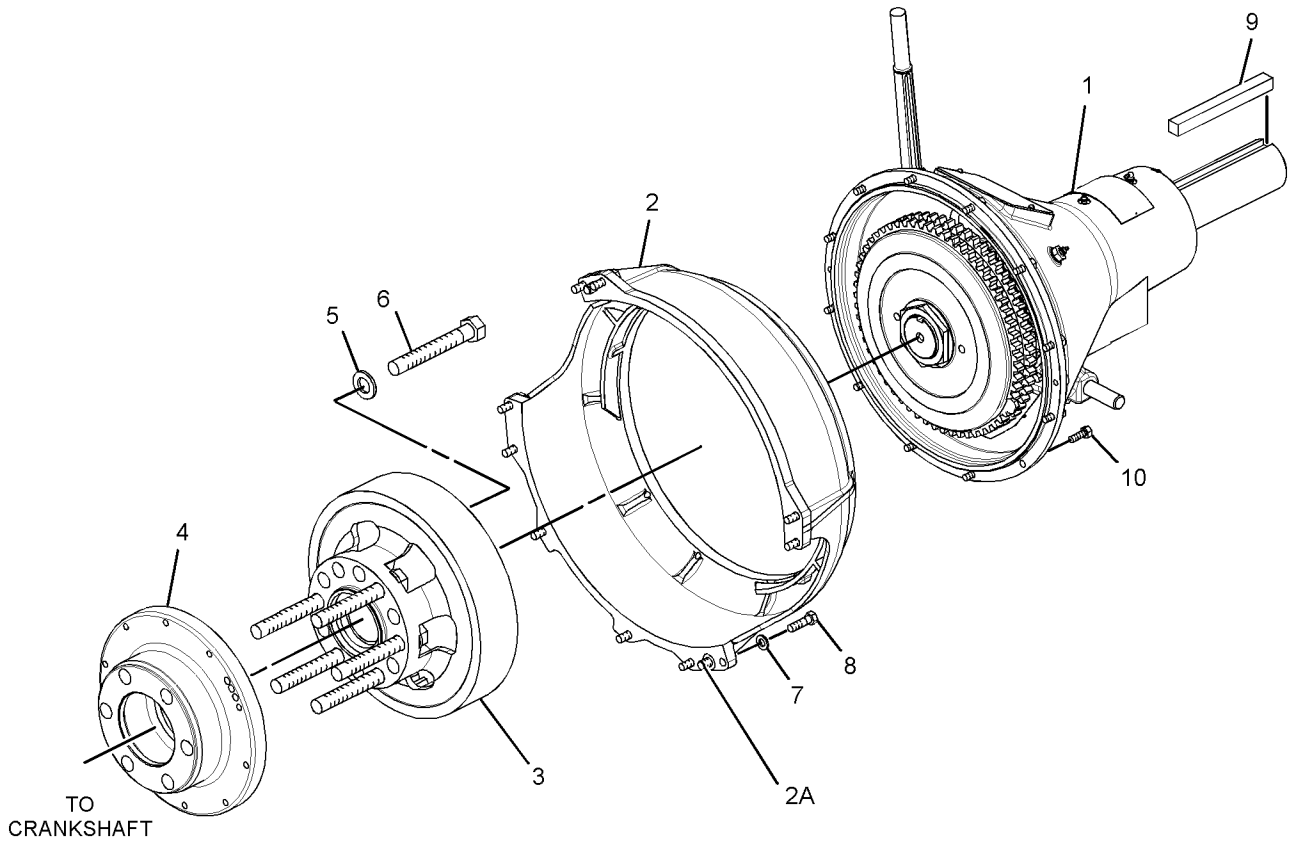
**CANNOT BE USED WITH ATTACHMENT DAMPER GP  
AN ATTACHMENT**

SMCS-1165

i02657420

NOTE	REF NO	GRAPHIC REF	PART NUMBER	QTY	PART NAME						SEE PAGE
					1	2	3	4	5	6 (PRODUCT LEVEL)	
Y	1	1	<b>3N-4130</b>	1	CLUTCH GP (BASIC)						52
	2	1	<b>7W-0285</b>	1	ADAPTER AS-FRONT						
	2A	1	<b>4N-0683</b>	2	DOWEL						
	3	1	<b>2W-8014</b>	1	COUPLING-FRONT PTO						
	4	1	<b>7W-3415</b>	1	ADAPTER-DAMPER						
	5	1	<b>5P-8250</b>	6	WASHER (28X49X5-MM THK)						
	6	1	<b>5F-6932</b>	6	BOLT (1-14X7-IN)						
	7	1	<b>5P-8245</b>	10	WASHER-HARD (13.5X25.5X3-MM THK)						
	8	1	<b>0S-1587</b>	10	BOLT (1/2-13X1.75-IN)						
	9	1	<b>7F-8896</b>	1	KEY-SQUARE						
	10	1	<b>0T-0320</b>	12	BOLT (7/16-14X1.25-IN)						

Y - SEPARATE ILLUSTRATION



GRAPHIC #1

<END>

g01319970



# BASIC ENGINE

## 7W-0282 POWER TAKE-OFF GP

S/N: 50Y647-1304

CLUTCH

**CANNOT BE USED WITH ATTACHMENT DAMPER GP, NON-CAT GENERATOR AND FRONT POWER TAKE-OFF AT RATED SPEEDS GREATER THAN 1650-RPM**

AN ATTACHMENT

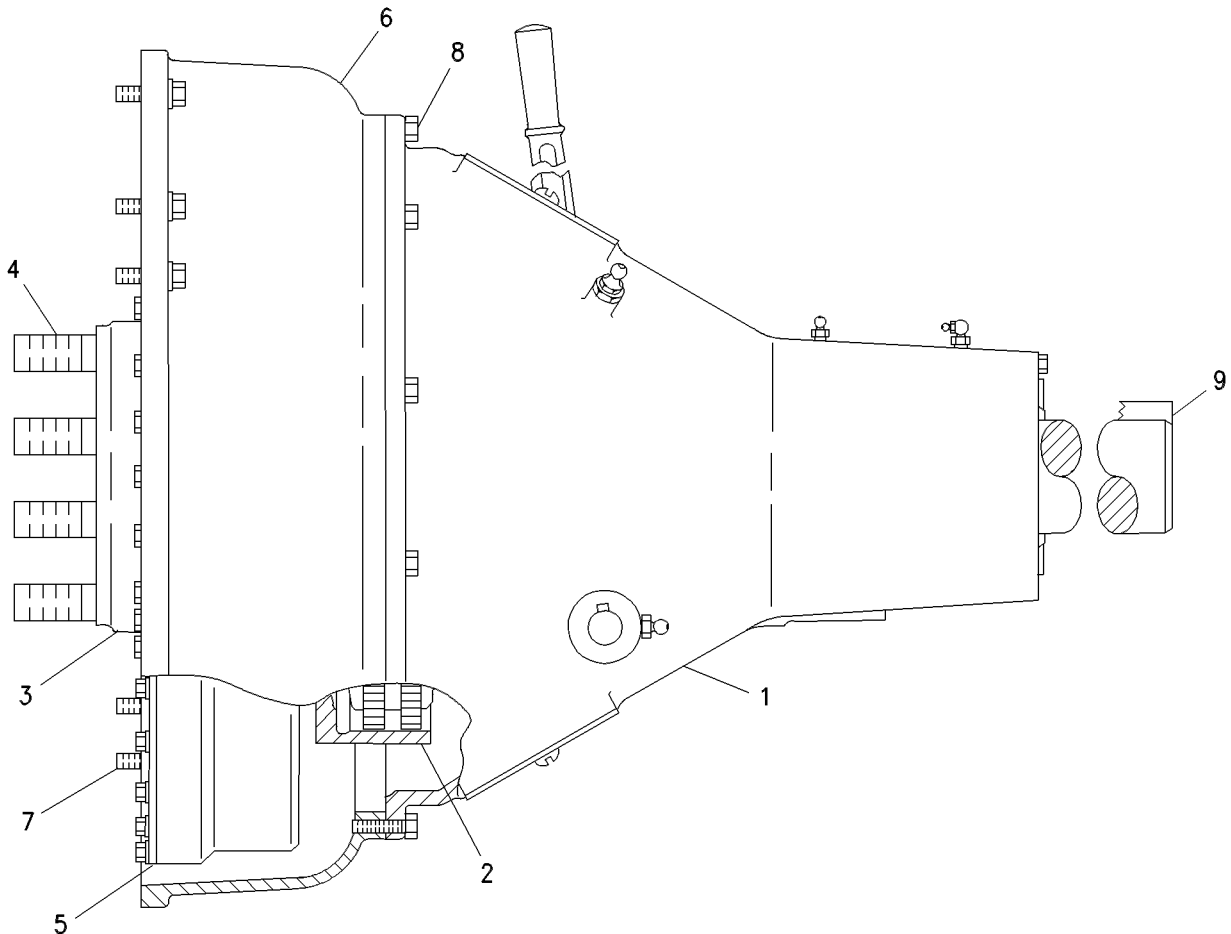
TYPE 1

SMCS-1165

i01101108

NOTE	REF NO	GRAPHIC REF	PART NUMBER	QTY	PART NAME						SEE PAGE
					1	2	3	4	5	6 (PRODUCT LEVEL)	
Y	1	1	<b>3N-4130</b>	1	CLUTCH GP (BASIC)						52
	2	1	<b>2W-8014</b>	1	COUPLING-FRONT PTO						
	3	1	<b>7W-0287</b>	1	ADAPTER-DAMPER						
	4	1	<b>5F-6932</b>	6	BOLT (1-14X7-IN)						
			<b>5P-8250</b>	6	WASHER (28X49X5-MM THK)						
Y	5	1	<b>1N-3500</b>	1	DAMPER GP						174
	6	1	<b>7W-0285</b>	1	ADAPTER AS-FRONT						
			<b>4N-0683</b>	2	DOWEL						
	7	1	<b>0S-1587</b>	10	BOLT (1/2-13X1.75-IN)						
			<b>5P-8245</b>	10	WASHER-HARD (13.5X25.5X3-MM THK)						
	8	1	<b>0T-0320</b>	12	BOLT (7/16-14X1.25-IN)						
9	1	<b>7F-8896</b>	1	KEY-SQUARE							

Y - SEPARATE ILLUSTRATION



GRAPHIC #1

<END>

g00496147

# BASIC ENGINE

## 7W-0282 POWER TAKE-OFF GP

S/N: 50Y647-1304

CLUTCH

**CANNOT BE USED WITH ATTACHMENT DAMPER GP, NON-CAT GENERATOR AND FRONT POWER TAKE-OFF AT RATED SPEEDS GREATER THAN 1650-RPM**

AN ATTACHMENT

TYPE 2

**SMCS-1165**

**i01338011**

NOTE	REF NO	GRAPHIC REF	PART NUMBER	QTY	PART NAME						SEE PAGE
					1	2	3	4	5	6 (PRODUCT LEVEL)	
Y	1	1	<b>3N-4130</b>	1	CLUTCH GP						52
	2	1	<b>2W-8014</b>	1	COUPLING-FRONT PTO						
	3	1	<b>7W-0287</b>	1	ADAPTER-DAMPER						
	4	1	<b>5F-6932</b>	6	BOLT (1-14X7-IN)						
		1	<b>5P-8250</b>	6	WASHER (28X49X5-MM THK)						
CY	5	1	<i>7W-3194</i>	1	DAMPER GP						179
	6	1	<b>7W-0285</b>	1	ADAPTER AS-FRONT						
		1	<b>4N-0683</b>	2	DOWEL						
	7	1	<b>0S-1587</b>	10	BOLT (1/2-13X1.75-IN)						
		1	<b>5P-8245</b>	10	WASHER-HARD (13.5X25.5X3-MM THK)						
	8	1	<b>0T-0320</b>	12	BOLT (7/16-14X1.25-IN)						
	9	1	<b>7F-8896</b>	1	KEY-SQUARE						

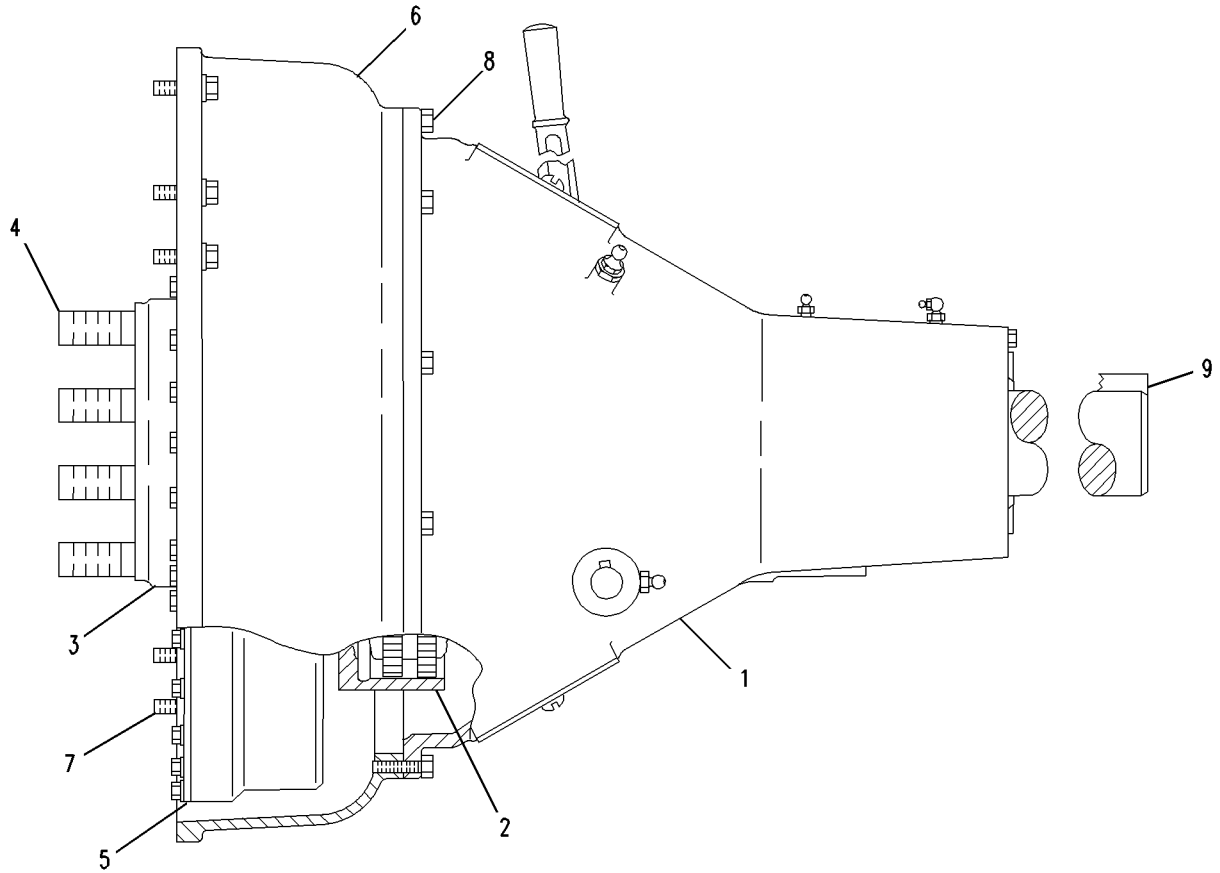
C - CHANGE FROM PREVIOUS TYPE

Y - SEPARATE ILLUSTRATION

# BASIC ENGINE

7W-0282 POWER TAKE-OFF GP (contd.)

101338011



GRAPHIC #1

<END>

g00707609

# BASIC ENGINE

## 7W-0282 POWER TAKE-OFF GP

### CLUTCH

**CANNOT BE USED WITH ATTACHMENT DAMPER GP, NON-CAT GENERATOR AND FRONT POWER TAKE-OFF AT RATED SPEEDS GREATER THAN 1650-RPM**

**AN ATTACHMENT**

**TYPE 1**

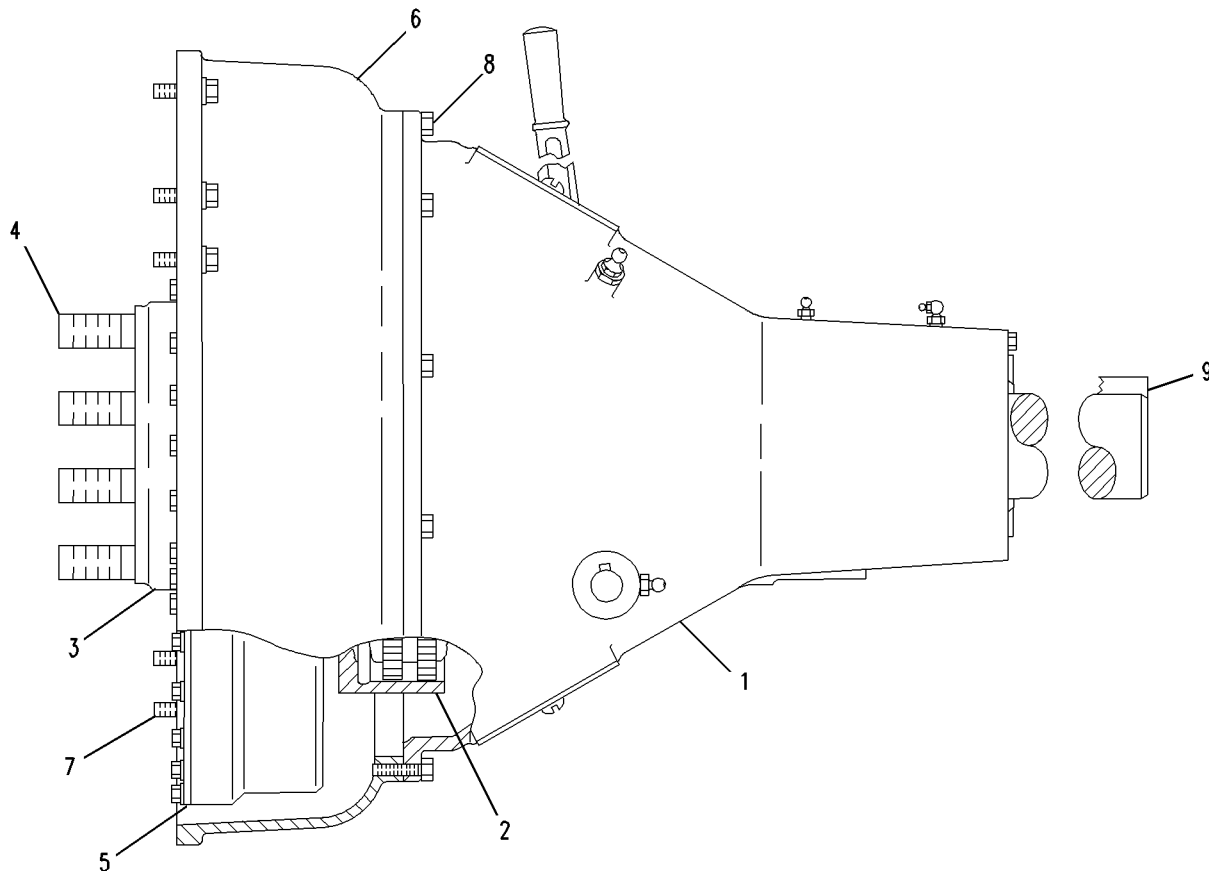
**SMCS-1165**

**i01337746**

NOTE	REF NO	GRAPHIC REF	PART NUMBER	QTY	PART NAME						SEE PAGE
					1	2	3	4	5	6 (PRODUCT LEVEL)	
Y	1	1	<b>3N-4130</b>	1	CLUTCH GP						52
	2	1	<b>2W-8014</b>	1	COUPLING-FRONT PTO						
	3	1	<b>7W-0287</b>	1	ADAPTER-DAMPER						
	4	1	<b>5F-6932</b>	6	BOLT (1-14X7-IN)						
		1	<b>5P-8250</b>	6	WASHER (28X49X5-MM THK)						
CY	5	1	<b>7W-3368</b>	1	DAMPER GP						180
	6	1	<b>7W-0285</b>	1	ADAPTER AS-FRONT						
		1	<b>4N-0683</b>	2	DOWEL						
	7	1	<b>0S-1587</b>	10	BOLT (1/2-13X1.75-IN)						
		1	<b>5P-8245</b>	10	WASHER-HARD (13.5X25.5X3-MM THK)						
	8	1	<b>0T-0320</b>	12	BOLT (7/16-14X1.25-IN)						
	9	1	<b>7F-8896</b>	1	KEY-SQUARE						

C - CHANGE FROM PREVIOUS TYPE

Y - SEPARATE ILLUSTRATION



GRAPHIC #1

<END>

g00707460

# BASIC ENGINE

## 7W-0282 POWER TAKE-OFF GP

### CLUTCH

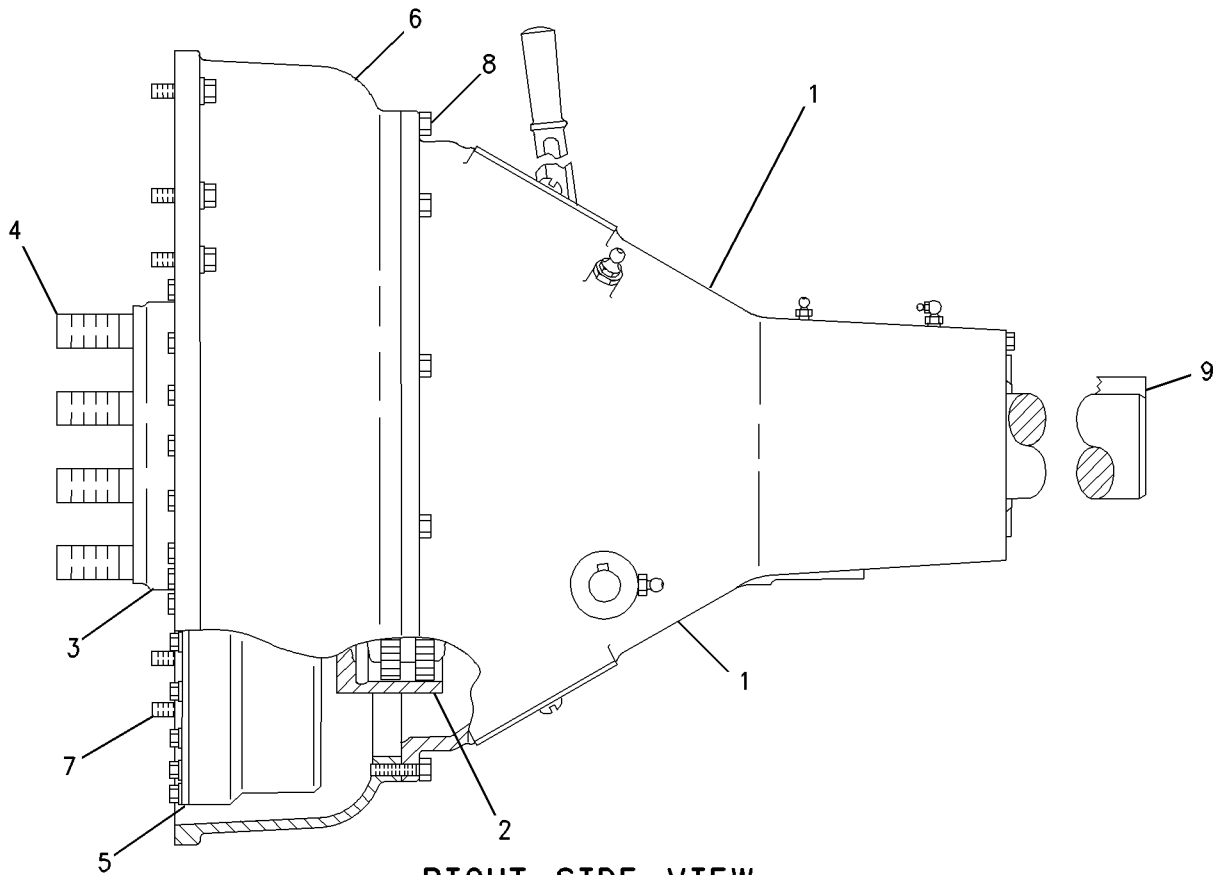
**CANNOT BE USED WITH ATTACHMENT DAMPER GP, NON-CAT GENERATOR AND FRONT POWER TAKE-OFF AT RATED SPEEDS GREATER THAN 1650-RPM  
AN ATTACHMENT  
TYPE 2**

**SMCS-1165**

**i01758043**

NOTE	REF NO	GRAPHIC REF	PART NUMBER	QTY	PART NAME						SEE PAGE		
					1	2	3	4	5	6 (PRODUCT LEVEL)			
Y	1	1	<b>3N-4130</b>	1	CLUTCH GP (BASIC)						52		
	2	1	<b>2W-8014</b>	1	COUPLING-FRONT PTO								
	3	1	<b>7W-0287</b>	1	ADAPTER-DAMPER								
	4	1	<b>5F-6932</b>	6	BOLT (1-14X7-IN)								
			1	<b>5P-8250</b>	6	WASHER (28X49X5-MM THK)							
	CY	5	1	<b>7C-9639</b>	1	DAMPER GP						177	
		6	1	<b>7W-0285</b>	1	ADAPTER AS-FRONT							
				1	<b>4N-0683</b>	2	DOWEL						
		7	1	<b>0S-1587</b>	10	BOLT (1/2-13X1.75-IN)							
			1	<b>5P-8245</b>	10	WASHER-HARD (13.5X25.5X3-MM THK)							
8	1	<b>0T-0320</b>	12	BOLT (7/16-14X1.25-IN)									
9	1	<b>7F-8896</b>	1	KEY-SQUARE									

C - CHANGE FROM PREVIOUS TYPE  
Y - SEPARATE ILLUSTRATION



**RIGHT SIDE VIEW**

GRAPHIC #1

<END>

g00899267

# BASIC ENGINE

## 7W-0282 POWER TAKE-OFF GP

### CLUTCH

**CANNOT BE USED WITH ATTACHMENT DAMPER GP, NON-CAT GENERATOR AND FRONT POWER TAKE-OFF AT RATED SPEEDS GREATER THAN 1650-RPM**

**AN ATTACHMENT**

**TYPE 3**

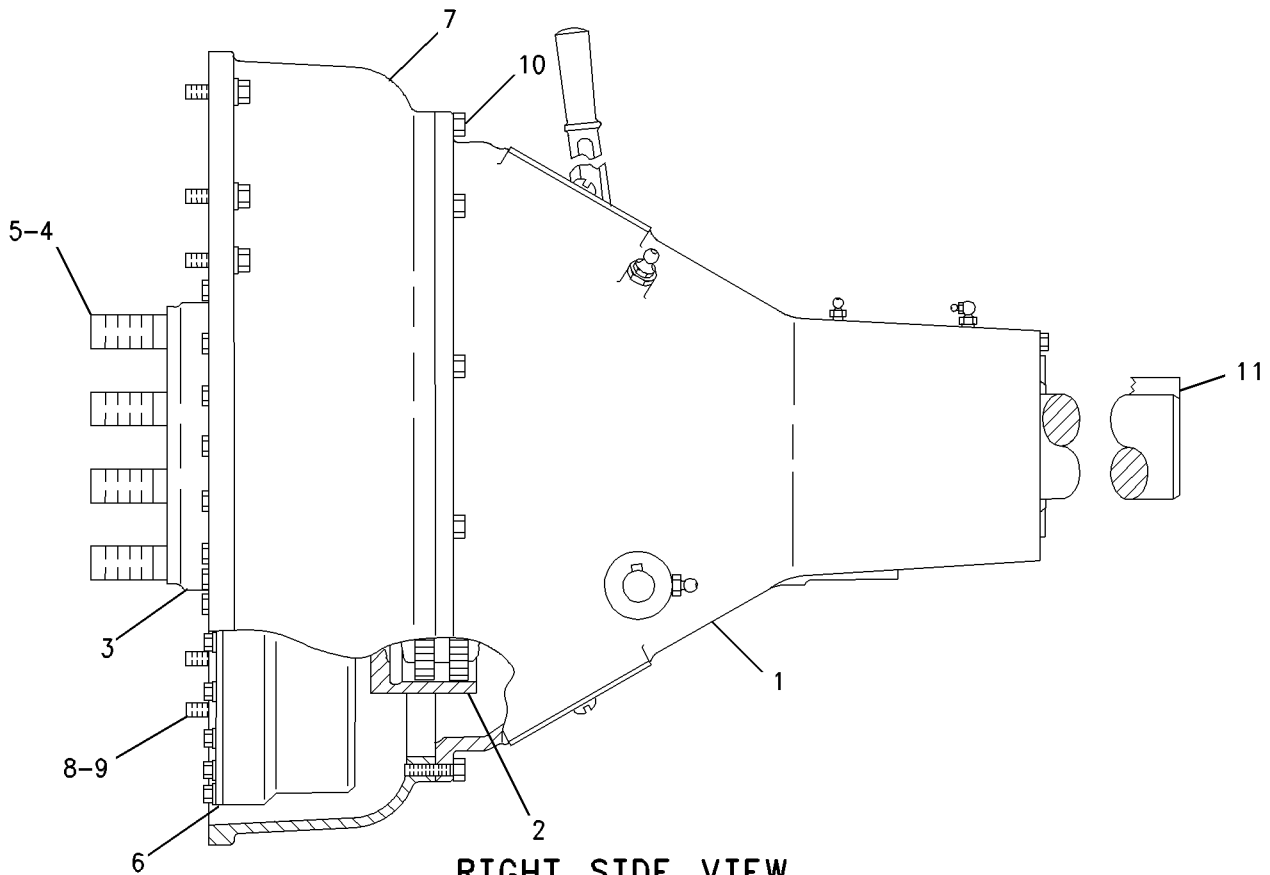
**SMCS-1165**

**i01758044**

NOTE	REF NO	GRAPHIC REF	PART NUMBER	QTY	PART NAME						SEE PAGE
					1	2	3	4	5	6 (PRODUCT LEVEL)	
Y	1	1	<b>3N-4130</b>	1	CLUTCH GP (BASIC)						52
	2	1	<b>2W-8014</b>	1	COUPLING-FRONT PTO						
	3	1	<b>7W-0287</b>	1	ADAPTER-DAMPER						
	4	1	<b>5F-6932</b>	6	BOLT (1-14X7-IN)						
	5	1	<b>5P-8250</b>	6	WASHER (28X49X5-MM THK)						
CY	6	1	<b>100-4325</b>	1	DAMPER GP						170
	7	1	<b>7W-0285</b>	1	ADAPTER AS-FRONT						
		1	<b>4N-0683</b>	2	DOWEL						
	8	1	<b>0S-1587</b>	10	BOLT (1/2-13X1.75-IN)						
	9	1	<b>5P-8245</b>	10	WASHER-HARD (13.5X25.5X3-MM THK)						
	10	1	<b>0T-0320</b>	12	BOLT (7/16-14X1.25-IN)						
	11	1	<b>7F-8896</b>	1	KEY-SQUARE						

C - CHANGE FROM PREVIOUS TYPE

Y - SEPARATE ILLUSTRATION



GRAPHIC #1

<END>

g00899268

# BASIC ENGINE

## 7W-0282 POWER TAKE-OFF GP

### CLUTCH

**CANNOT BE USED WITH ATTACHMENT DAMPER GP, NON-CAT GENERATOR AND FRONT POWER TAKE-OFF AT RATED SPEEDS GREATER THAN 1650-RPM  
AN ATTACHMENT**

### TYPE 4

**SMCS-1165**

**i04561126**

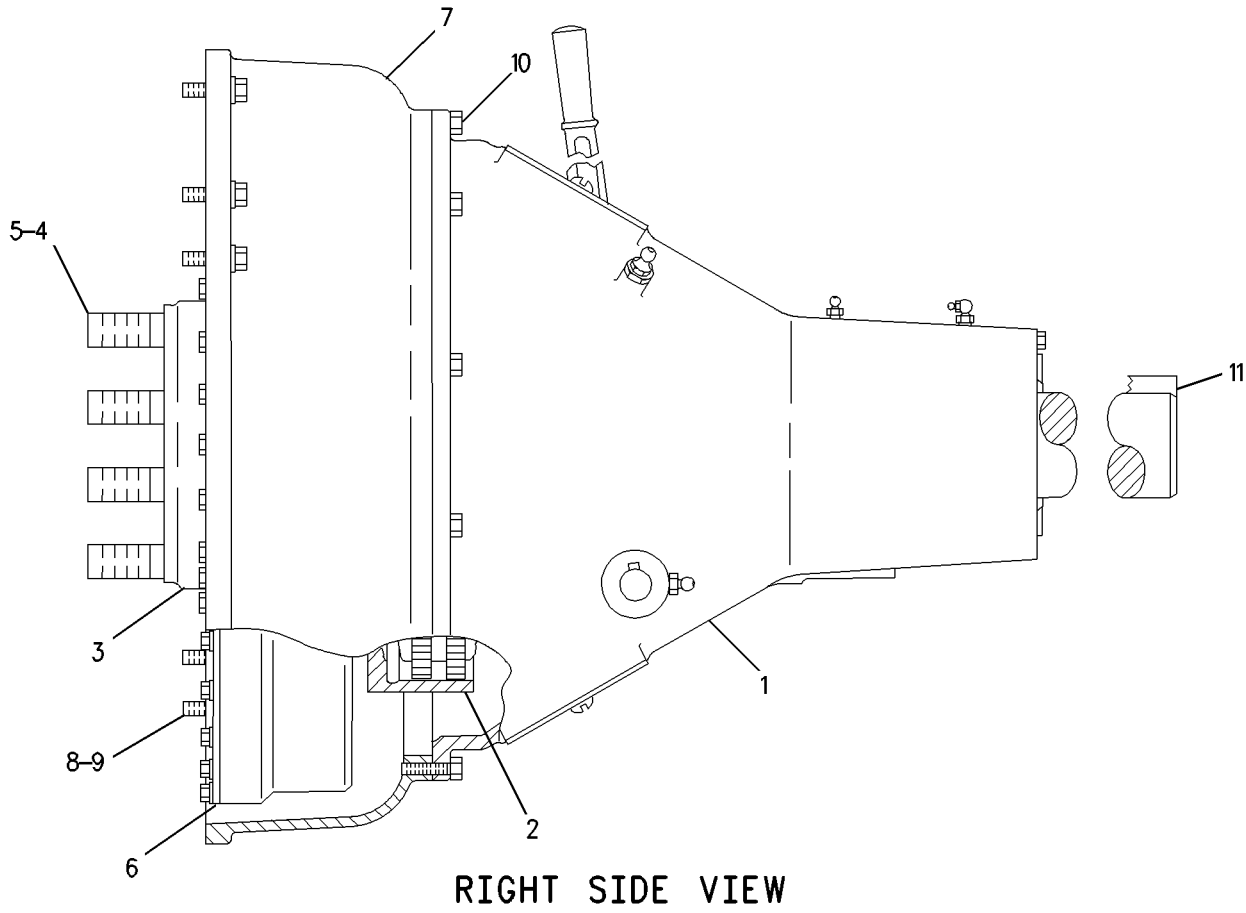
NOTE	REF NO	GRAPHIC REF	PART NUMBER	QTY	PART NAME						SEE PAGE
					1	2	3	4	5	6 (PRODUCT LEVEL)	
Y	1	1	<b>3N-4130</b>	1	CLUTCH GP (BASIC)						52
	2	1	<b>2W-8014</b>	1	COUPLING-FRONT PTO						
	3	1	<b>7W-0287</b>	1	ADAPTER-DAMPER						
	4	1	<b>5F-6932</b>	6	BOLT (1-14X7-IN)						
	5	1	<b>5P-8250</b>	6	WASHER (28X49X5-MM THK)						
CYR	6	1	<b>171-4571</b>	1	DAMPER GP						173
	7	1	<b>7W-0285</b>	1	ADAPTER AS-FRONT						
		1	<b>4N-0683</b>	2	DOWEL						
	8	1	<b>0S-1587</b>	10	BOLT (1/2-13X1.75-IN)						
	9	1	<b>5P-8245</b>	10	WASHER-HARD (13.5X25.5X3-MM THK)						
	10	1	<b>0T-0320</b>	12	BOLT (7/16-14X1.25-IN)						
	11	1	<b>7F-8896</b>	1	KEY-SQUARE						

C - CHANGE FROM PREVIOUS TYPE  
R - REMANUFACTURED PART MAY BE AVAILABLE  
Y - SEPARATE ILLUSTRATION

# BASIC ENGINE

7W-0282 POWER TAKE-OFF GP (contd.)

i04561126



GRAPHIC #1

<END>

g00899269



# BASIC ENGINE

## 7N-4106 PULLEY AS-CRANKSHAFT

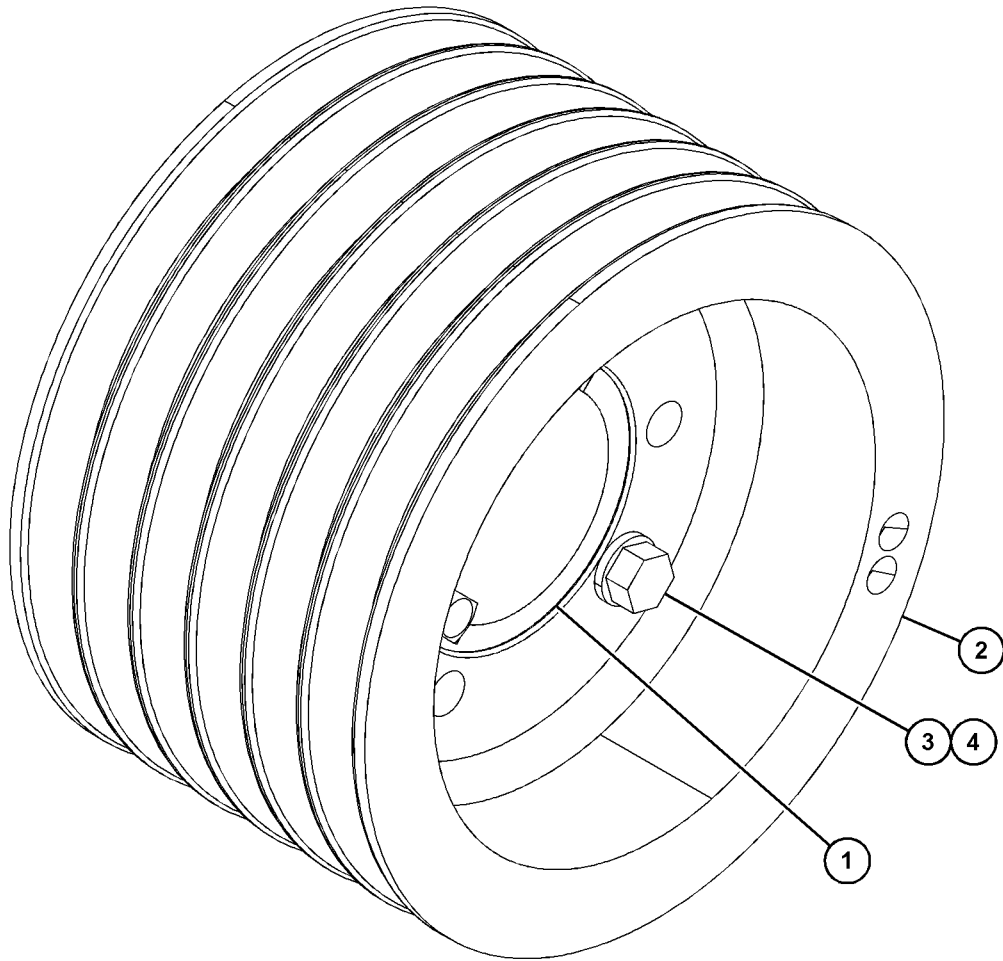
196.85-MM DIAMETER (7.75-IN)  
FOR USE WITH LOW KW STUB SHAFT GP  
AN ATTACHMENT

SMCS-1205

i07360799

NOTE	REF NO	GRAPHIC REF	PART NUMBER	QTY	PART NAME						SEE PAGE
					1	2	3	4	5	6 (PRODUCT LEVEL)	
B	1	1	<b>4W-0335</b>	1	KIT-BUSHING (CRANKSHAFT PULLEY)						
					(INCLUDES BUSHING, CAP SCREWS, LOCKWASHERS, SET SCREW & KEY)						
	2	1	<b>368-7808</b>	1	PULLEY-CRANKSHAFT						
	3	1	<b>0S-1590</b>	3	BOLT (3/8-16X2-IN)						
	4	1	<b>5M-2894</b>	3	WASHER-HARD (10.2X18.5X2.5-MM THK)						

B - USE AS REQUIRED



GRAPHIC #1

<END>

g06295981

# BASIC ENGINE

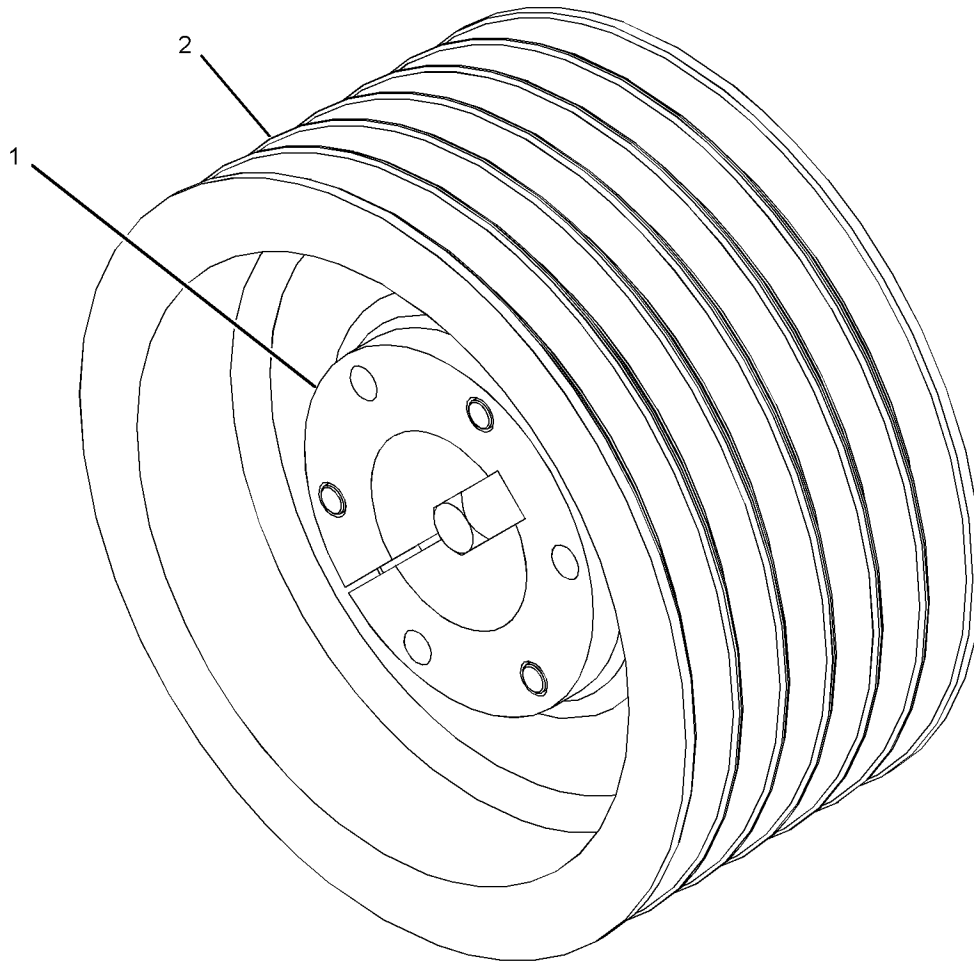
## 8N-6564 PULLEY AS-CRANKSHAFT

247.65-MM DIAMETER (9.75-IN)  
FOR USE WITH LOW KW STUB SHAFT GP  
AN ATTACHMENT

SMCS-1205

i04265654

NOTE	REF NO	GRAPHIC REF	PART NUMBER	QTY	PART NAME						SEE PAGE
					1	2	3	4	5	6	
	1	1	<b>4W-0335</b>	1	KIT-BUSHING (CRANKSHAFT PULLEY)						
					(INCLUDES BUSHING, BOLTS, LOCKWASHER, SET SCREW & KEY)						
	2	1	<b>368-7801</b>	1	PULLEY-CRANKSHAFT						



GRAPHIC #1

<END>

g02446460

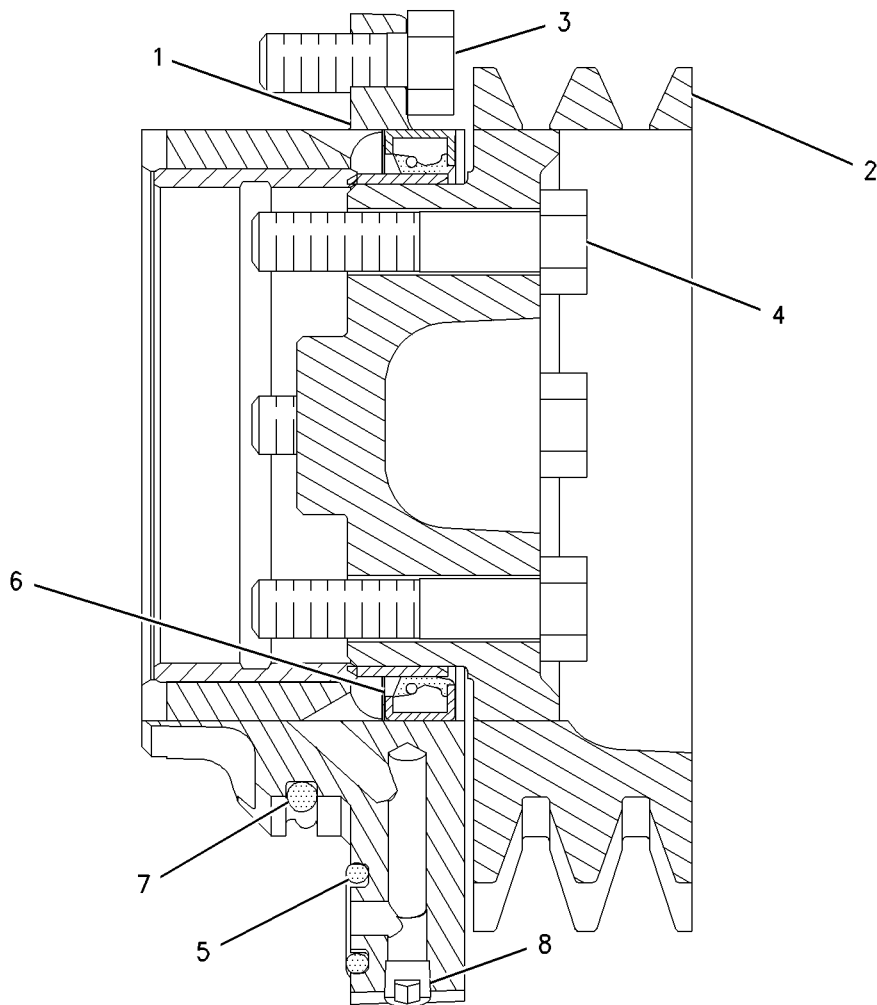
# BASIC ENGINE

## 210-8602 PULLEY GP-AUXILIARY DRIVE-UPPER REAR, LH AN ATTACHMENT

SMCS-1205, 1207

i07104703

NOTE	REF NO	GRAPHIC REF	PART NUMBER	QTY	PART NAME						SEE PAGE
					1	2	3	4	5	6 (PRODUCT LEVEL)	
	1	1	<b>7C-4165</b>	1	ADAPTER AS						
		1	<b>127-5400</b>	1	BUSHING						
	2	1	<b>9Y-5286</b>	1	PULLEY AS						
		1	<b>053-5065</b>	1	SLEEVE						
	3	1	<b>0L-1351</b>	4	BOLT (3/8-16X0.875-IN)						
	4	1	<b>0S-1571</b>	4	BOLT (3/8-16X1.75-IN)						
	5	1	<b>5P-0840</b>	1	SEAL-O-RING						
	6	1	<b>235-2484</b>	1	SEAL-LIP TYPE						
	7	1	<b>259-4598</b>	1	SEAL-O-RING						
	8	1	<b>8T-6759</b>	1	PLUG-PIPE						



GRAPHIC #1

<END>

g00855762

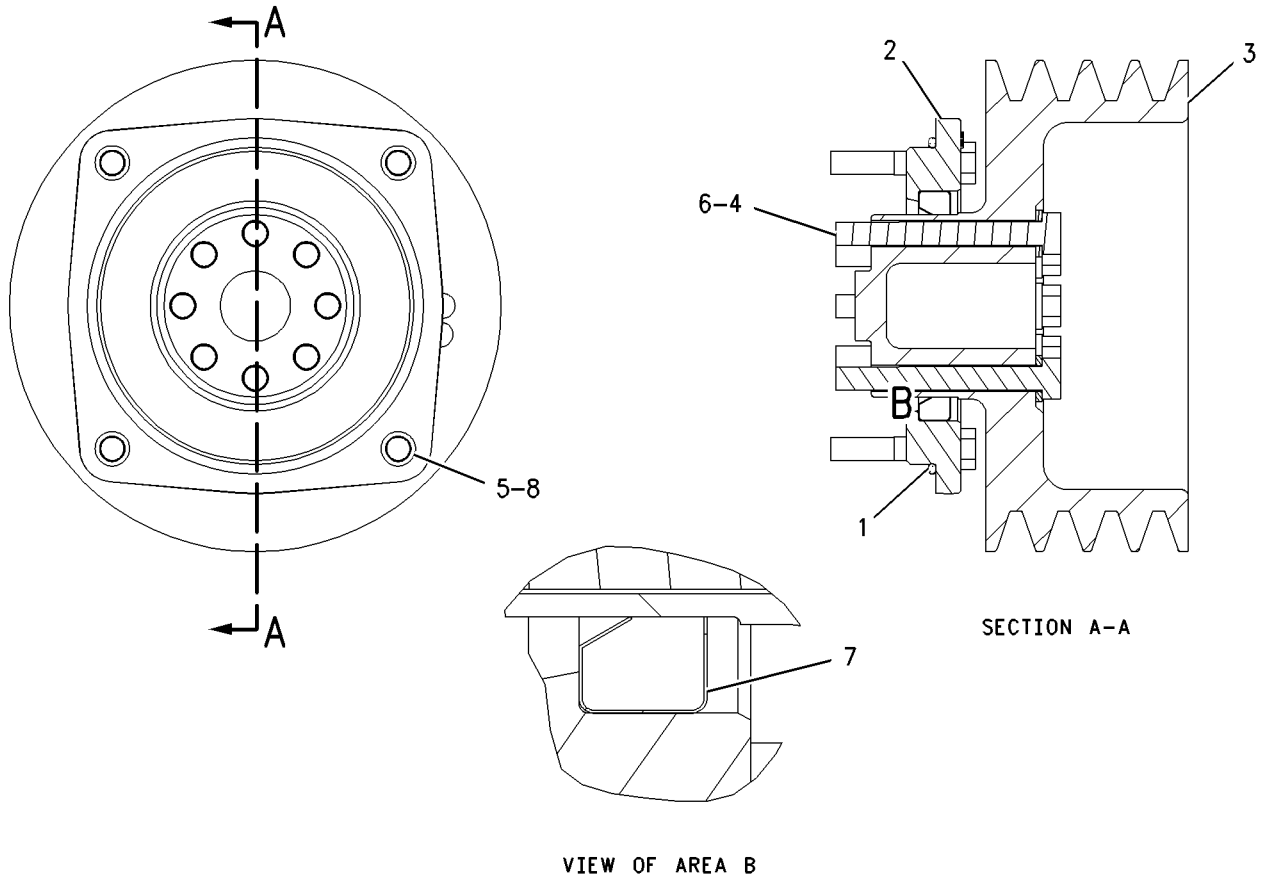
# BASIC ENGINE

## 210-9214 PULLEY GP-AUXILIARY DRIVE-LOWER FRONT, LH AN ATTACHMENT

SMCS-1205, 1207

i07084218

NOTE	REF NO	GRAPHIC REF	PART NUMBER	QTY	PART NAME						SEE PAGE
					1	2	3	4	5	6	
	1	1	<b>9X-7371</b>	1	SEAL-O-RING						
	2	1	<b>7N-7991</b>	1	ADAPTER						
	3	1	<b>7N-8011</b>	1	PULLEY						
	4	1	<b>0L-1352</b>	8	BOLT (3/8-16X3.25-IN)						
	5	1	<b>0S-1590</b>	4	BOLT (3/8-16X2-IN)						
	6	1	<b>5M-2894</b>	8	WASHER-HARD (10.2X18.5X2.5-MM THK)						
	7	1	<b>7C-7808</b>	1	SEAL-LIP TYPE						
	8	1	<b>9L-9132</b>	4	WASHER (10.2X25.5X2.5-MM THK)						



GRAPHIC #1

<END>

g00854650

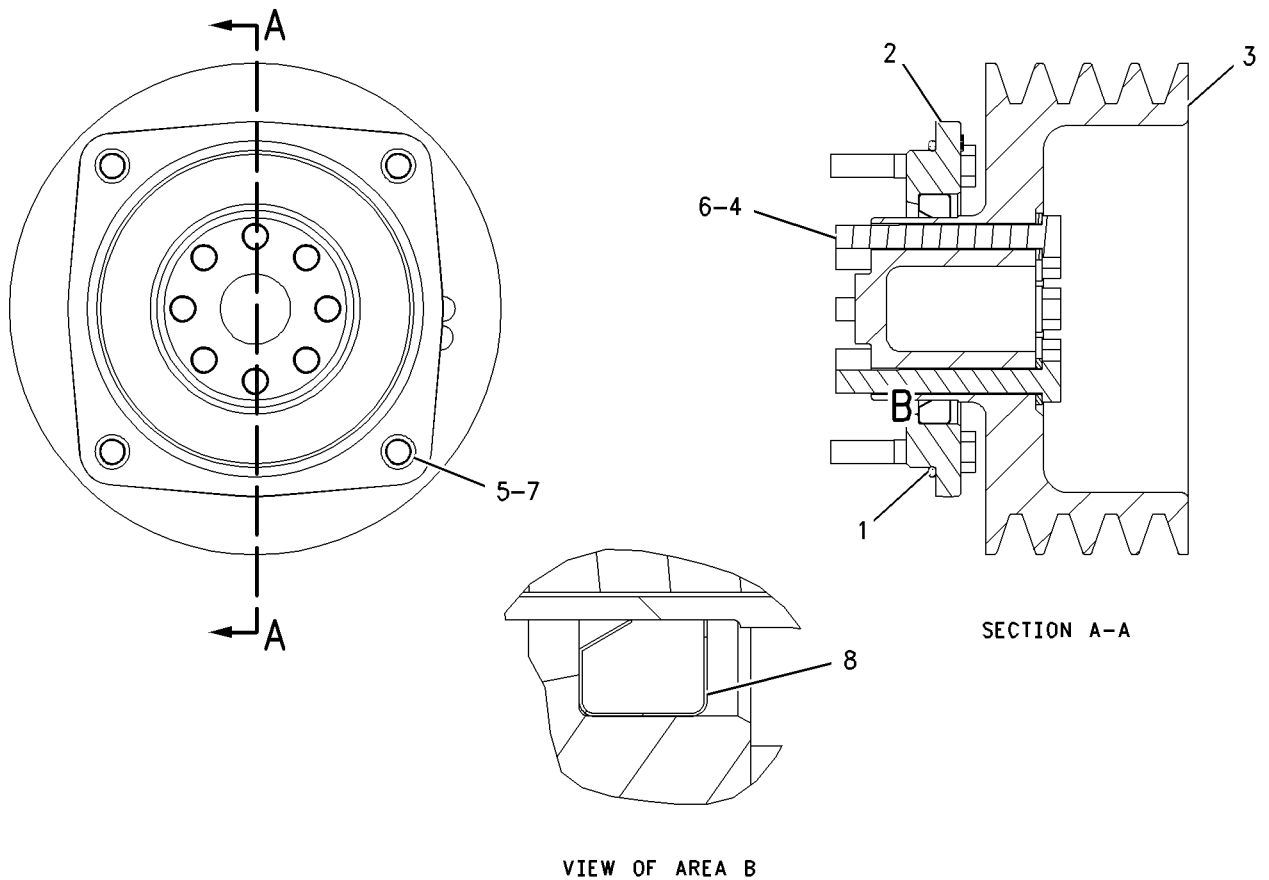
# BASIC ENGINE

## 210-9215 PULLEY GP-AUXILIARY DRIVE-LOWER REAR, LH AN ATTACHMENT

SMCS-1205, 1207

i07109898

NOTE	REF NO	GRAPHIC REF	PART NUMBER	QTY	PART NAME						SEE PAGE
					1	2	3	4	5	6 (PRODUCT LEVEL)	
	1	1	<b>9X-7371</b>	1	SEAL-O-RING						
	2	1	<b>7N-7991</b>	1	ADAPTER						
	3	1	<b>7N-8011</b>	1	PULLEY						
	4	1	<b>0L-1352</b>	8	BOLT (3/8-16X3.25-IN)						
	5	1	<b>0S-1621</b>	4	BOLT (1/2-13X1-IN)						
	6	1	<b>5M-2894</b>	8	WASHER-HARD (10.2X18.5X2.5-MM THK)						
	7	1	<b>5P-8245</b>	4	WASHER-HARD (13.5X25.5X3-MM THK)						
	8	1	<b>7C-7808</b>	1	SEAL-LIP TYPE						



GRAPHIC #1

<END>

g00854894

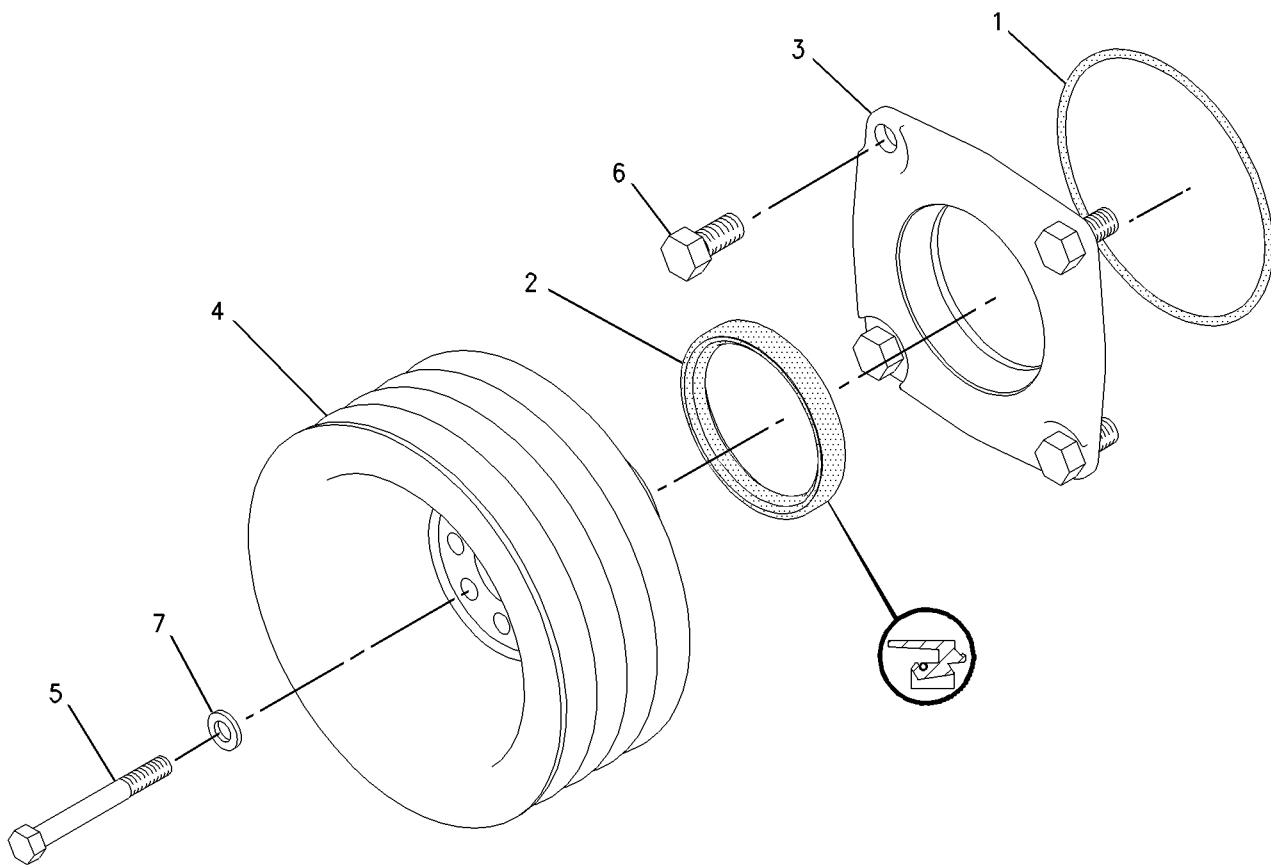
# BASIC ENGINE

## 7N-8041 PULLEY GP-AUXILIARY DRIVE-UPPER FRONT, LH FOR USAGE REFER TO CHART 8N-7500-PAGE: 2103 AN ATTACHMENT

SMCS-1205, 1207

i07082567

NOTE	REF NO	GRAPHIC REF	PART NUMBER	QTY	PART NAME						SEE PAGE
					1	2	3	4	5	6	
	1	1	<b>9X-7371</b>	1	SEAL-O-RING						
	2	1	<b>7C-7808</b>	1	SEAL-LIP TYPE						
	3	1	<b>7N-7991</b>	1	ADAPTER						
	4	1	<b>7N-8011</b>	1	PULLEY						
	5	1	<b>0L-1352</b>	8	BOLT (3/8-16X3.25-IN)						
	6	1	<b>0S-1621</b>	4	BOLT (1/2-13X1-IN)						
	7	1	<b>5M-2894</b>	8	WASHER-HARD (10.2X18.5X2.5-MM THK)						



GRAPHIC #1

<END>

g00856036

# BASIC ENGINE

## 8N-8467 PULLEY GP-AUXILIARY DRIVE-LOWER FRONT, LH

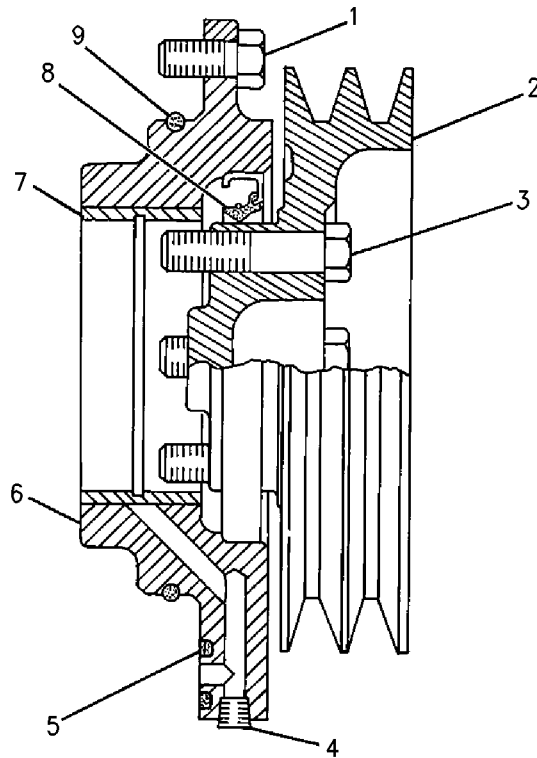
S/N: 50Y647-1304

FOR USAGE REFER TO CHART 8N-7500-PAGE: 2103  
AN ATTACHMENT

SMCS-1205, 1207

i01218544

NOTE	REF NO	GRAPHIC REF	PART NUMBER	QTY	PART NAME						SEE PAGE
					1	2	3	4	5	6 (PRODUCT LEVEL)	
	1	1	<b>0L-1351</b>	4	BOLT (3/8-16X0.875-IN)						
	2	1	<b>7N-5626</b>	1	PULLEY						
	3	1	<b>0S-1571</b>	4	BOLT (3/8-16X1.75-IN)						
	4	1	<b>4D-0514</b>	1	PLUG-PIPE						
	5	1	<b>2M-4453</b>	1	SEAL-O-RING						
	6	1	<b>7C-4165</b>	1	ADAPTER AS						
	7	1	<b>127-5400</b>	1	BUSHING						
	8	1	<b>1D-4327</b>	1	SEAL-LIP TYPE						
	9	1	<b>8M-5255</b>	1	SEAL-O-RING						



GRAPHIC #1

<END>

g00651330

# BASIC ENGINE

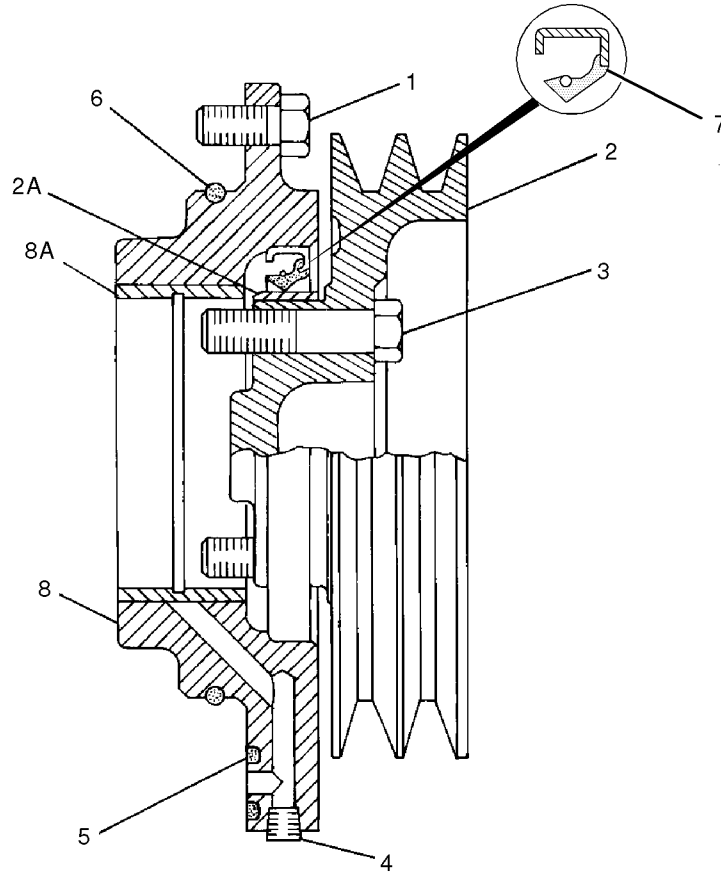
## 8N-8467 PULLEY GP-AUXILIARY DRIVE-LOWER FRONT, LH FOR USAGE REFER TO CHART 8N-7500-PAGE: 2103 AN ATTACHMENT

SMCS-1205, 1207

i07155477

NOTE	REF NO	GRAPHIC REF	PART NUMBER	QTY	PART NAME						SEE PAGE
					1	2	3	4	5	6 (PRODUCT LEVEL)	
	1	1	<b>0L-1351</b>	4	BOLT (3/8-16X0.875-IN)						
C	2	1	<b>9Y-5286</b>	1	PULLEY AS						
	2A	1	<b>053-5065</b>	1	SLEEVE						
	3	1	<b>0S-1571</b>	4	BOLT (3/8-16X1.75-IN)						
	4	1	<b>8T-6759</b>	1	PLUG-PIPE						
	5	1	<b>5P-0840</b>	1	SEAL-O-RING						
	6	1	<b>259-4598</b>	1	SEAL-O-RING						
	7	1	<b>235-2484</b>	1	SEAL-LIP TYPE						
	8	1	<b>7C-4165</b>	1	ADAPTER AS						
	8A	1	<b>127-5400</b>	1	BUSHING						

C - CHANGE FROM PREVIOUS TYPE



GRAPHIC #1

<END>

g01014927



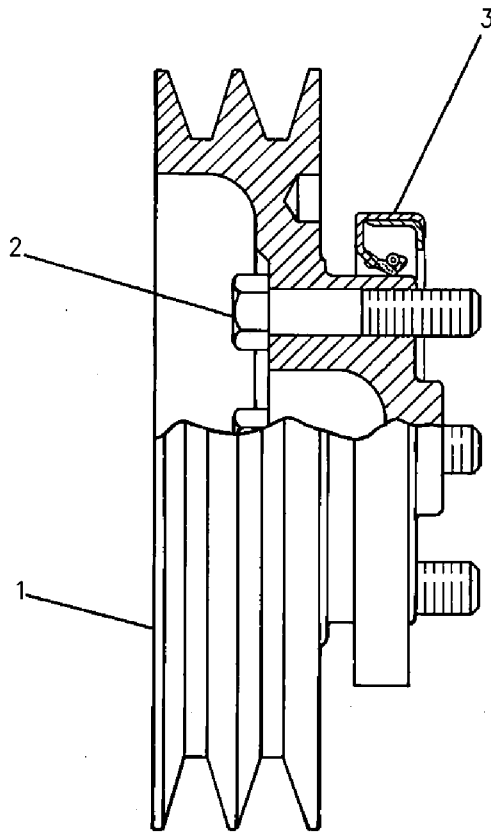
# BASIC ENGINE

## 8N-8468 PULLEY GP-AUXILIARY DRIVE-UPPER REAR, RH FOR USAGE REFER TO CHART 8N-7500-PAGE: 2103 AN ATTACHMENT TYPE 1

SMCS-1205, 1207

i01192039

NOTE	REF NO	GRAPHIC REF	PART NUMBER	QTY	PART NAME						SEE PAGE
					1	2	3	4	5	6 (PRODUCT LEVEL)	
	1	1	<b>7N-5626</b>	1	PULLEY						
	2	1	<b>0S-1571</b>	4	BOLT (3/8-16X1.75-IN)						
	3	1	<b>1D-4327</b>	1	SEAL-LIP TYPE						



GRAPHIC #1

<END>

g00637862

# BASIC ENGINE

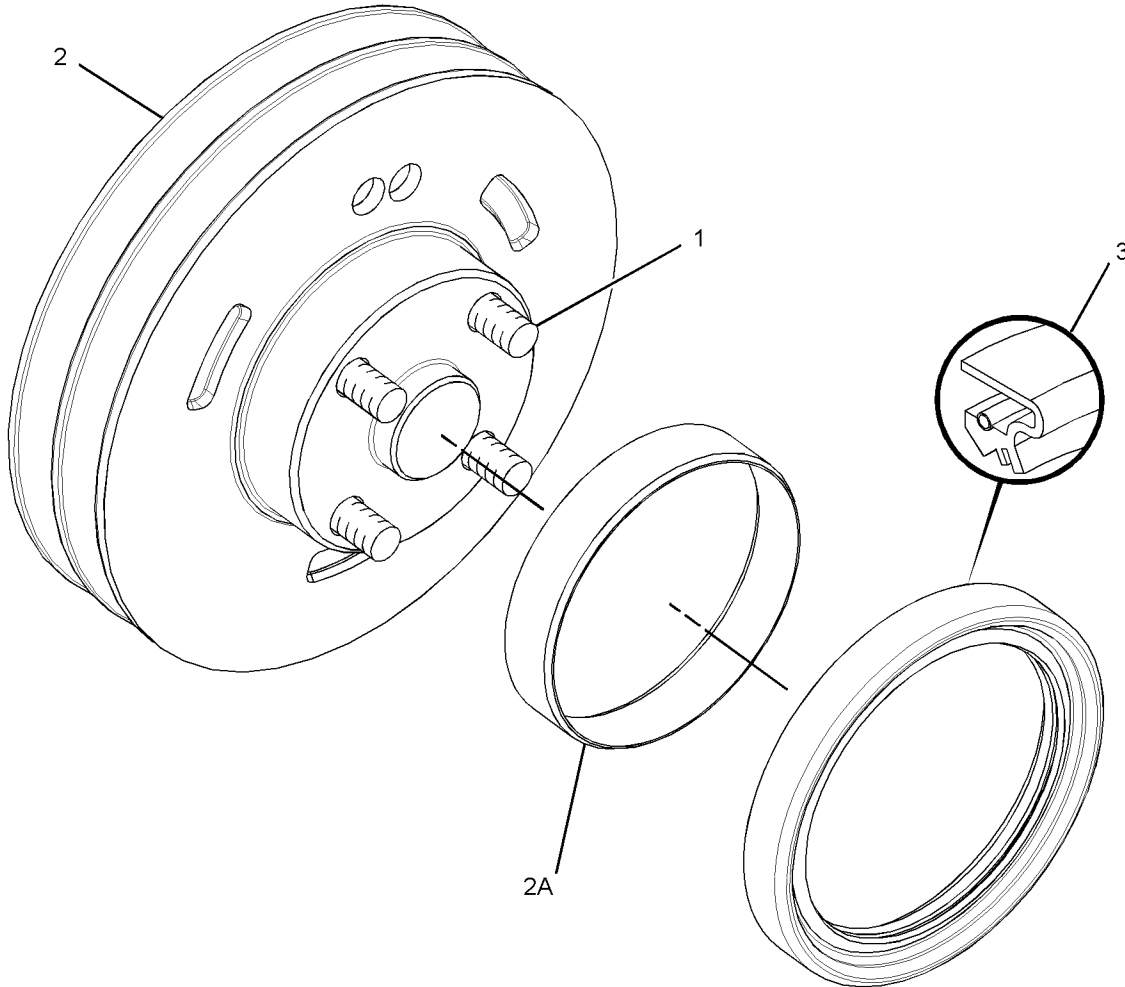
## 8N-8468 PULLEY GP-AUXILIARY DRIVE-UPPER REAR, RH FOR USAGE REFER TO CHART 8N-7500-PAGE: 2103 AN ATTACHMENT TYPE 2

SMCS-1205, 1207

i06926463

NOTE	REF NO	GRAPHIC REF	PART NUMBER	QTY	PART NAME						SEE PAGE
					1	2	3	4	5	6 (PRODUCT LEVEL)	
	1	1	<b>0S-1571</b>	4	BOLT (3/8-16X1.75-IN)						
C	2	1	<b>9Y-5286</b>	1	PULLEY AS						
	2A	1	<b>053-5065</b>	1	SLEEVE						
	3	1	<b>235-2484</b>	1	SEAL-LIP TYPE						

C - CHANGE FROM PREVIOUS TYPE



GRAPHIC #1

<END>

g01790355

# BASIC ENGINE

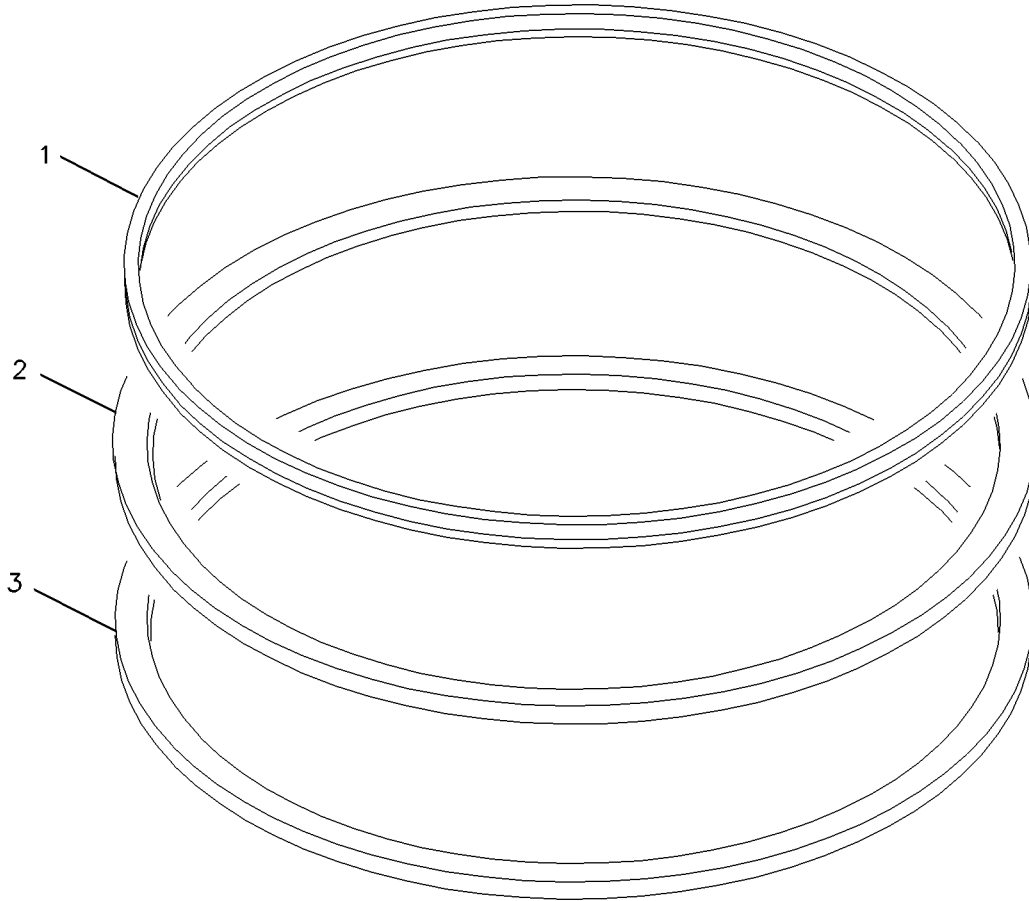
## 1N-3967 RING GP-PISTON

REPLACEMENT  
FIELD INSTALLATION

SMCS-1215

i01807774

NOTE	REF NO	GRAPHIC REF	PART NUMBER	QTY	PART NAME						SEE PAGE
					1	2	3	4	5	6 (PRODUCT LEVEL)	
	1	1	<b>8N-1233</b>	1	RING-PISTON (TOP)						
	2	1	<b>8N-7810</b>	1	RING-PISTON (INTERMEDIATE)						
	3	1	<b>7W-2221</b>	1	RING (OIL)						



GRAPHIC #1

<END>

g00924410

# BASIC ENGINE

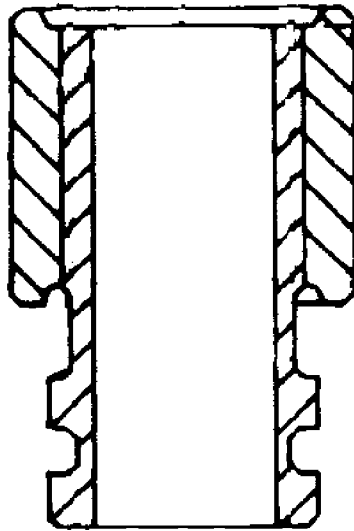
## 105-4656 SEAL AS-WATER

PROVIDES A POSITIVE WATER SEAL IN THE HEAD TO BLOCK JOINT  
FIELD INSTALLATION

SMCS-1201

i01199470

NOTE	REF NO	GRAPHIC REF	PART NUMBER	QTY	PART NAME	SEE PAGE
					1 2 3 4 5 6 (PRODUCT LEVEL)	
(NO SERVICED PARTS)						



GRAPHIC #1

<END>

g00643397

# BASIC ENGINE

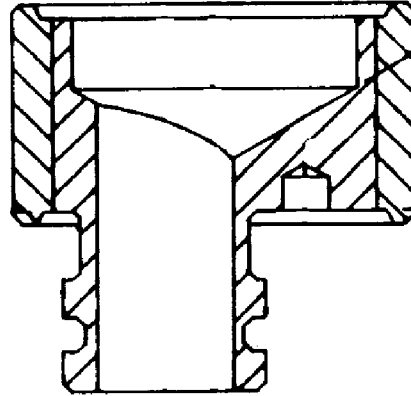
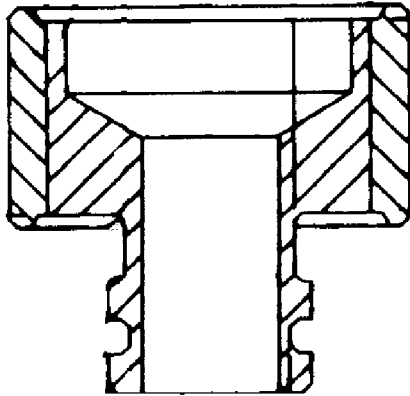
## 105-4657 SEAL AS-WATER

PROVIDES A POSITIVE WATER SEAL IN THE HEAD TO BLOCK JOINT  
FIELD INSTALLATION

SMCS-1201

i01199486

NOTE	REF NO	GRAPHIC REF	PART NUMBER	QTY	PART NAME	SEE PAGE
					1 2 3 4 5 6 (PRODUCT LEVEL)	
(NO SERVICED PARTS)						



GRAPHIC #1

<END>

g00643423

# BASIC ENGINE

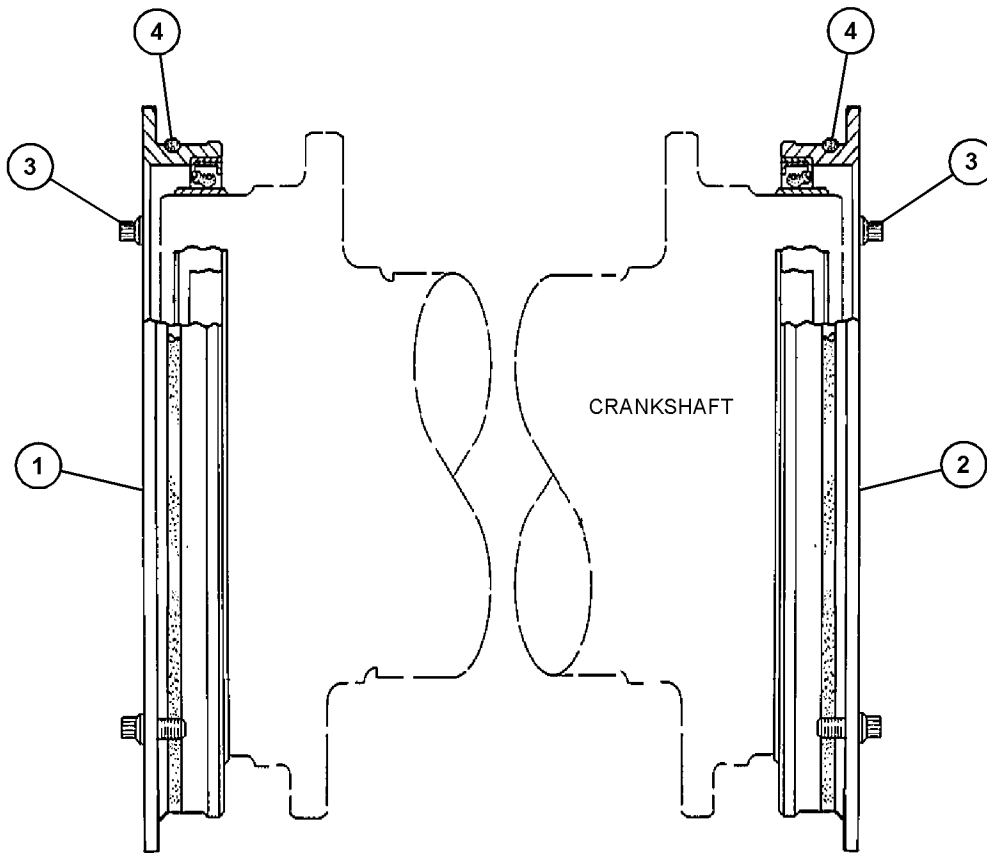
## 7N-1854 SEAL GP-CRANKSHAFT

S/N: 50Y647-665; 66Z190-206

SMCS-1160, 1161

i06659114

NOTE	REF NO	GRAPHIC REF	PART NUMBER	QTY	PART NAME						SEE PAGE
					1	2	3	4	5	6 (PRODUCT LEVEL)	
	1	1	<b>1W-6977</b>	1	SEAL GP-CRANKSHAFT (CCW ROTATION)						
(INSTALL IN FLYWHEEL HOUSING ON STANDARD ROTATION ENGINES & IN FRONT HOUSING ON REVERSE ROTATION ENGINES)											
		1	<b>1W-5204</b>	1	ADAPTER-SEAL						
	2	1	<b>1W-6974</b>	1	SEAL GP-CRANKSHAFT (CW ROTATION)						
(INSTALL IN FRONT HOUSING ON STANDARD ROTATION ENGINES & IN FLYWHEEL HOUSING ON REVERSE ROTATION ENGINES)											
		1	<b>1W-5204</b>	1	ADAPTER-SEAL						
	3	1	<b>1T-0416</b>	8	BOLT (5/16-18X0.75-IN)						
	4	1	<b>3S-3074</b>	2	SEAL-O-RING						



GRAPHIC #1

<END>

g06063001

# BASIC ENGINE

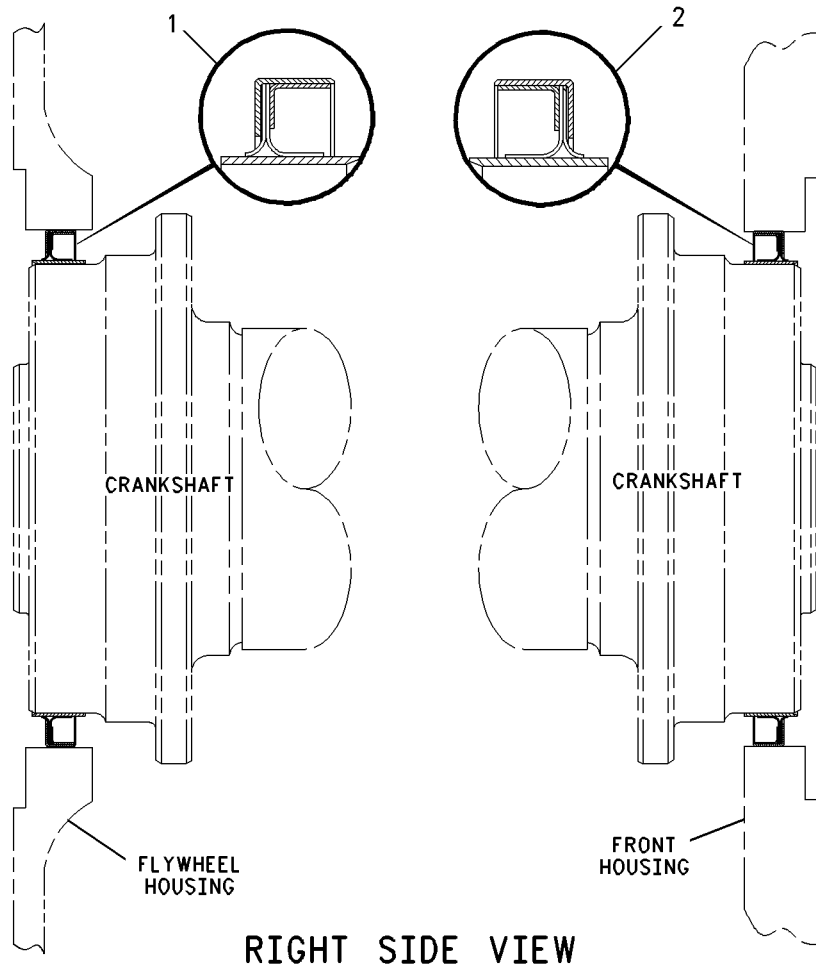
## 7W-3813 SEAL GP-CRANKSHAFT

S/N: 50Y666-1304; 66Z198-578

SMCS-1160, 1161

i01987269

NOTE	REF NO	GRAPHIC REF	PART NUMBER	QTY	PART NAME						SEE PAGE
					1	2	3	4	5	6 (PRODUCT LEVEL)	
	1	1	<b>6I-3810</b>	1	SEAL GP-CRANKSHAFT (CCW ROTATION)						
(INSTALL IN FLYWHEEL HSG ON STD ROTATION ENGINES & IN FRONT HSG ON REVERSE ROTATION ENGINES)											
	2	1	<b>6I-3809</b>	1	SEAL GP-CRANKSHAFT (CW ROTATION)						
(INSTALL IN FRONT HSG ON STD ROTATION ENGINES & IN FLYWHEEL HSG ON REVERSE ROTATION ENGINES)											



GRAPHIC #1

<END>

g00899345

# BASIC ENGINE

## 7W-3813 SEAL GP-CRANKSHAFT

S/N: 50Y647-1304

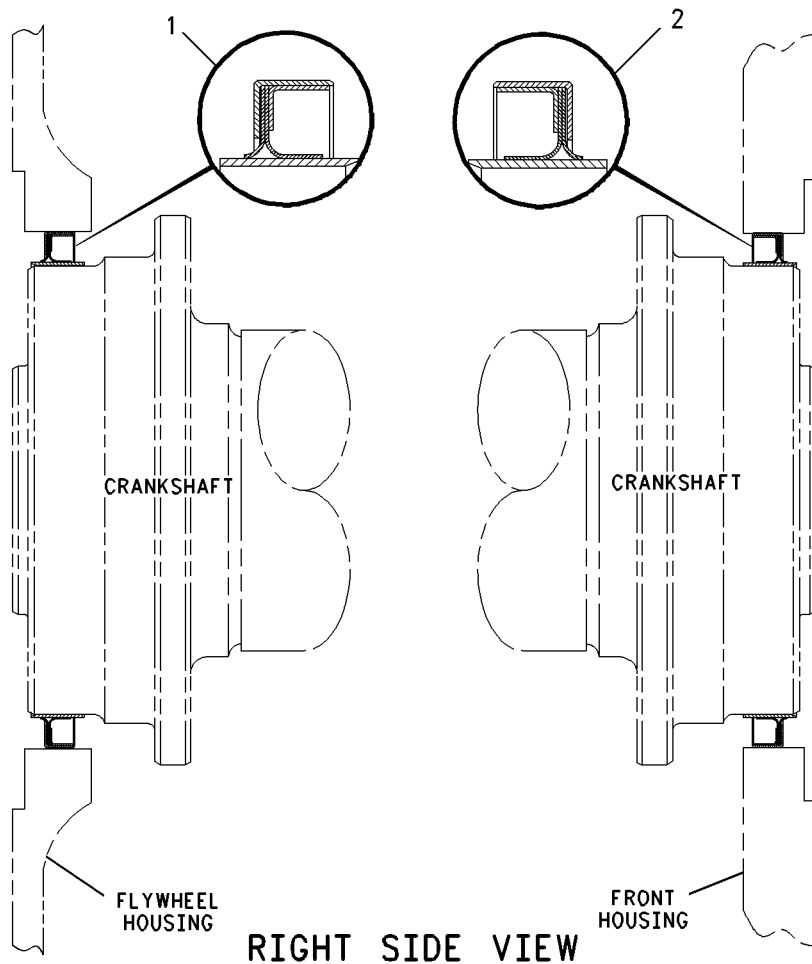
PART OF 357-0858, 376-4849 ENGINE AR-COMplete

SMCS-1160, 1161

i07111990

NOTE	REF NO	GRAPHIC REF	PART NUMBER	QTY	PART NAME						SEE PAGE
					1	2	3	4	5	6 (PRODUCT LEVEL)	
C	1	1	<b>113-8433</b>	1	SEAL (COUNTERCLOCKWISE ROTATION)						
(INSTALL IN FLYWHEEL HOUSING ON STANDARD ROTATION ENGINES & IN FRONT HOUSING ON REVERSE ROTATION ENGINES)											
C	2	1	<b>113-8432</b>	1	SEAL (CLOCKWISE ROTATION)						
(INSTALL IN FRONT HOUSING ON STANDARD ROTATION ENGINES & IN FLYWHEEL HOUSING ON REVERSE ROTATION ENGINES)											

C - CHANGE FROM PREVIOUS TYPE



RIGHT SIDE VIEW

GRAPHIC #1

<END>

g00899342



# BASIC ENGINE

## 209-3559 SHAFT GP-AUXILIARY DRIVE-UPPER FRONT, RH AN ATTACHMENT

SMCS-1207

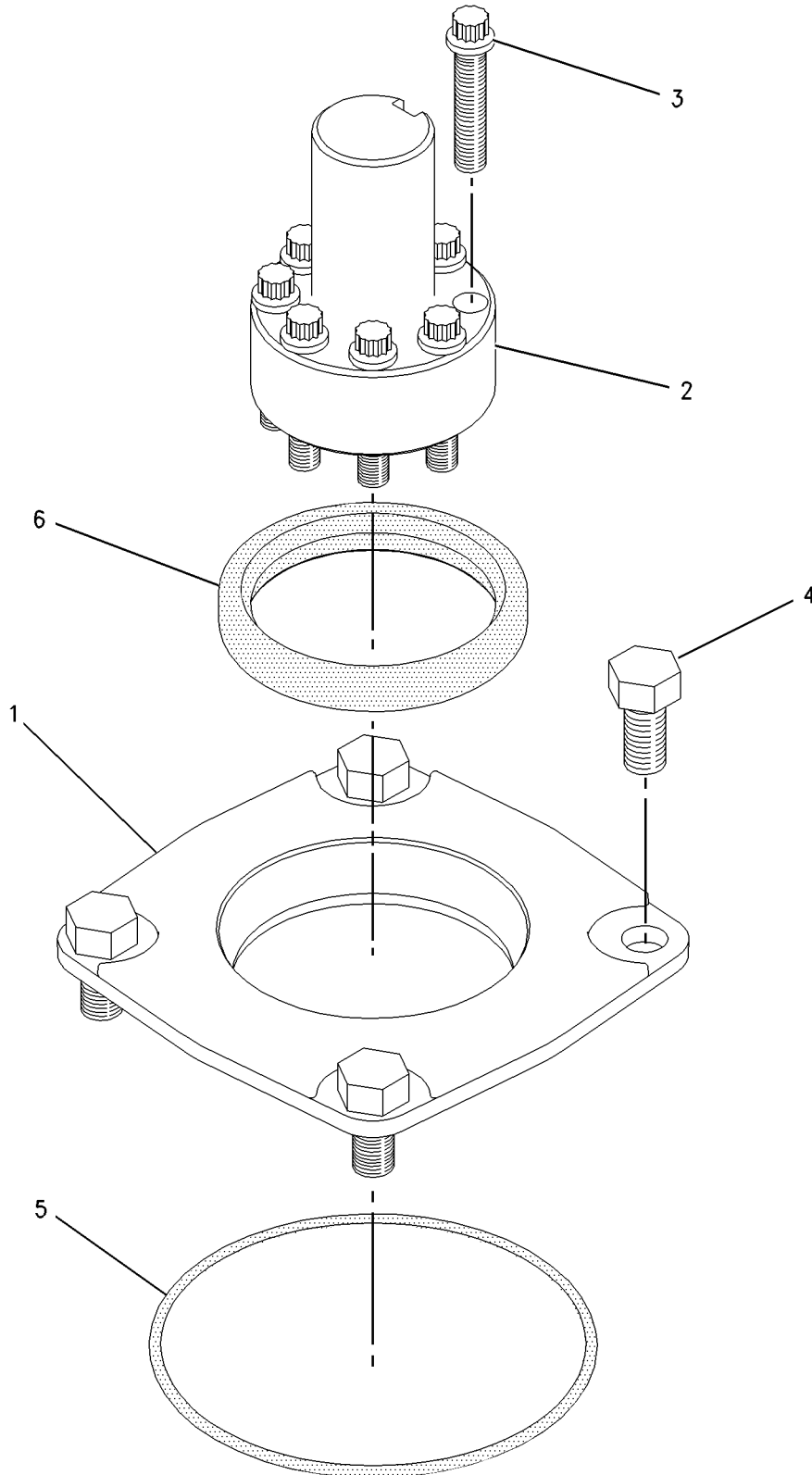
i02327561

NOTE	REF NO	GRAPHIC REF	PART NUMBER	QTY	PART NAME						SEE PAGE
					1	2	3	4	5	6	
	1	1	<b>7N-7991</b>	1	ADAPTER						
	2	1	<b>9Y-4957</b>	1	SHAFT-STUB						
	3	1	<b>053-2294</b>	8	BOLT-12 POINT HEAD (3/8-16X1.75-IN)						
	4	1	<b>0S-1621</b>	4	BOLT (1/2-13X1-IN)						
	5	1	<b>9X-7371</b>	1	SEAL-O-RING						
	6	1	<b>7C-7808</b>	1	SEAL-LIP TYPE						

# BASIC ENGINE

209-3559 SHAFT GP-AUXILIARY DRIVE (contd.)

102327561



GRAPHIC #1

<END>

g00814255

# BASIC ENGINE

## 209-3560 SHAFT GP-AUXILIARY DRIVE-UPPER REAR, LH AN ATTACHMENT

SMCS-1207

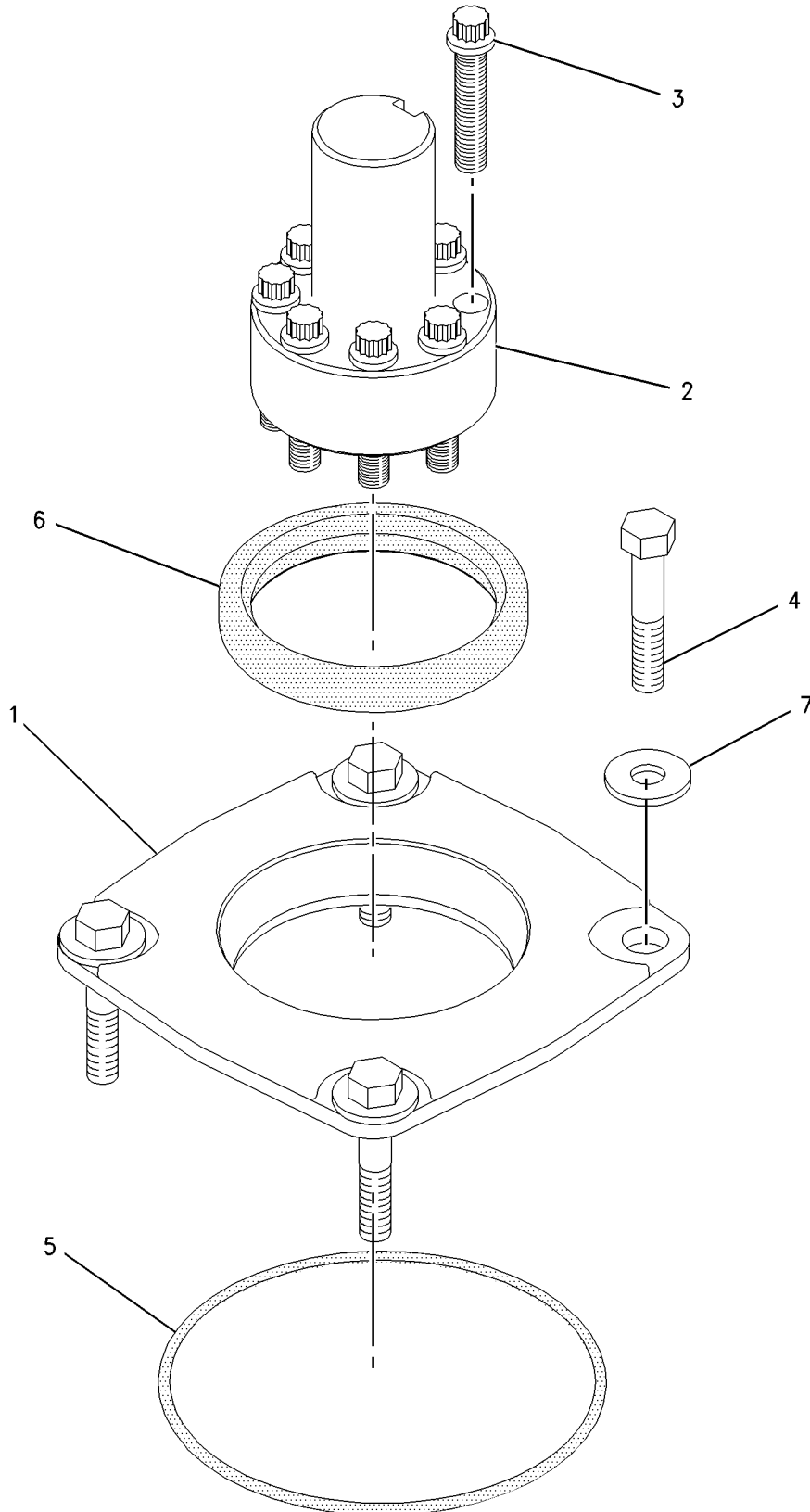
i02327563

NOTE	REF NO	GRAPHIC REF	PART NUMBER	QTY	PART NAME						SEE PAGE
					1	2	3	4	5	6	
	1	1	<b>7N-7991</b>	1	ADAPTER						
	2	1	<b>9Y-4957</b>	1	SHAFT-STUB						
	3	1	<b>053-2294</b>	8	BOLT-12 POINT HEAD (3/8-16X1.75-IN)						
	4	1	<b>0S-1590</b>	4	BOLT (3/8-16X2-IN)						
	5	1	<b>9X-7371</b>	1	SEAL-O-RING						
	6	1	<b>7C-7808</b>	1	SEAL-LIP TYPE						
	7	1	<b>9L-9132</b>	4	WASHER (10.2X25.5X2.5-MM THK)						

# BASIC ENGINE

209-3560 SHAFT GP-AUXILIARY DRIVE (contd.)

102327563



GRAPHIC #1

<END>

g00813860

# BASIC ENGINE

## 209-3561 SHAFT GP-AUXILIARY DRIVE—LOWER REAR, LH AN ATTACHMENT

**SMCS-1207**

**i07174986**

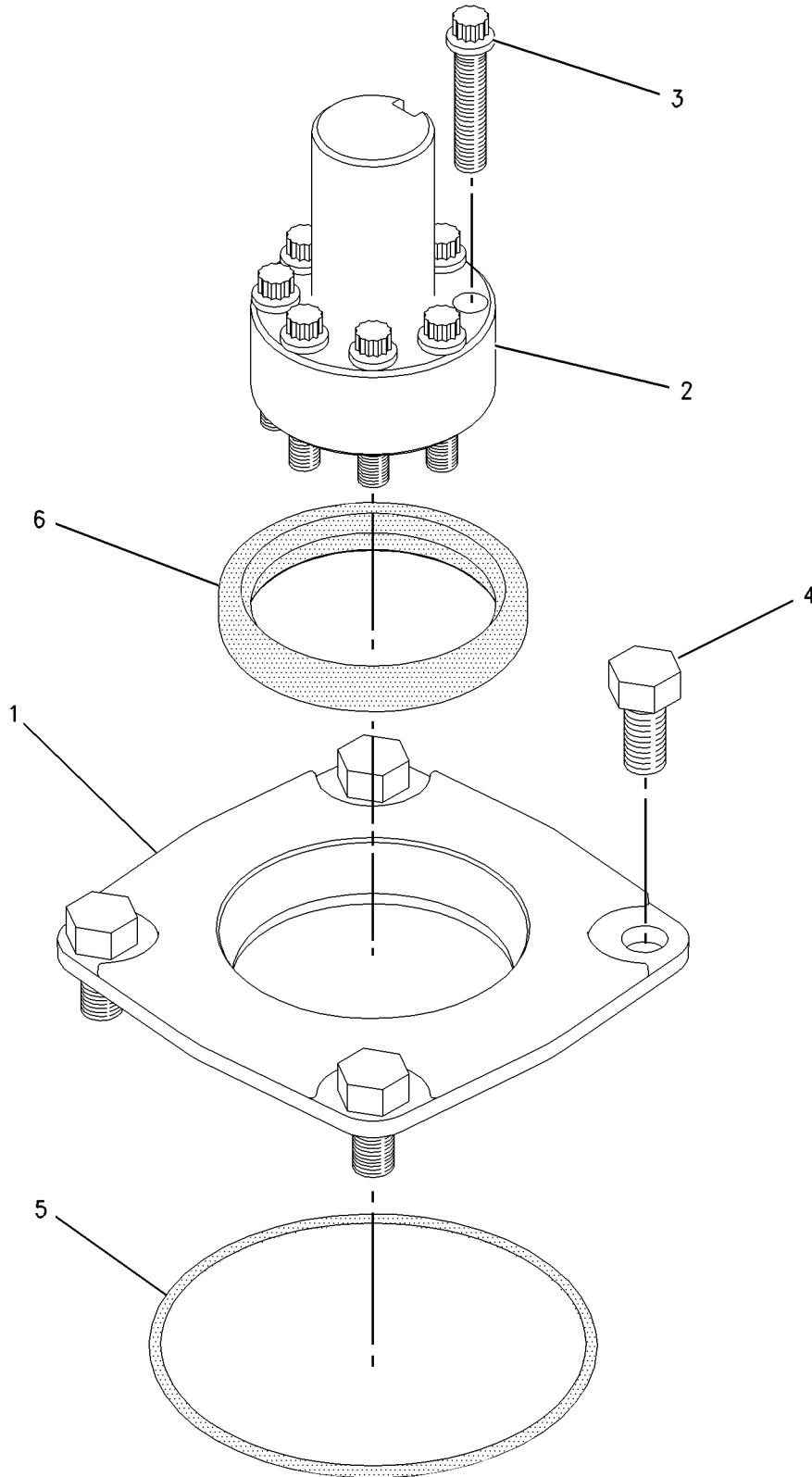
NOTE	REF NO	GRAPHIC REF	PART NUMBER	QTY	PART NAME						SEE PAGE
					1	2	3	4	5	6	
	1	1	<b>7N-7991</b>	1	ADAPTER						
	2	1	<b>9Y-4957</b>	1	SHAFT-STUB						
	3	1	<b>053-2294</b>	8	BOLT-12 POINT HEAD (3/8-16X1.75-IN)						
	4	1	<b>0S-1621</b>	4	BOLT (1/2-13X1-IN)						
C	5	1	<b>9X-7371</b>	1	SEAL-O-RING						
	6	1	<b>7C-7808</b>	1	SEAL-LIP TYPE						

C - CHANGE FROM PREVIOUS TYPE

# BASIC ENGINE

209-3561 SHAFT GP-AUXILIARY DRIVE (contd.)

i07174986



GRAPHIC #1

<END>

g00812288

# BASIC ENGINE

## 209-3562 SHAFT GP-AUXILIARY DRIVE-UPPER FRONT, LH AN ATTACHMENT

SMCS-1207

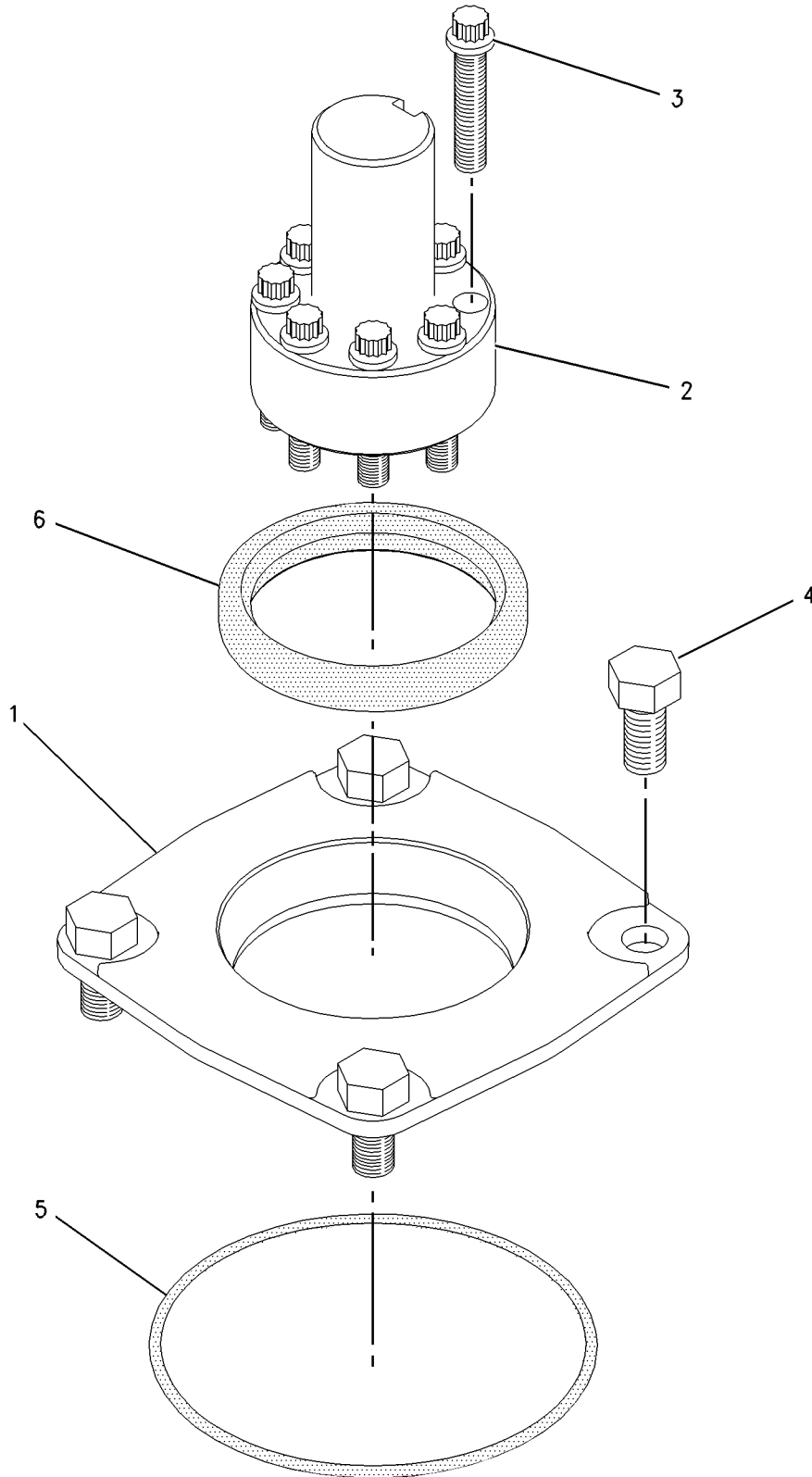
i02327562

NOTE	REF NO	GRAPHIC REF	PART NUMBER	QTY	PART NAME						SEE PAGE
					1	2	3	4	5	6	
	1	1	<b>7N-7991</b>	1	ADAPTER						
	2	1	<b>9Y-4957</b>	1	SHAFT-STUB						
	3	1	<b>053-2294</b>	8	BOLT-12 POINT HEAD (3/8-16X1.75-IN)						
	4	1	<b>0S-1621</b>	4	BOLT (1/2-13X1-IN)						
	5	1	<b>9X-7371</b>	1	SEAL-O-RING						
	6	1	<b>7C-7808</b>	1	SEAL-LIP TYPE						

# BASIC ENGINE

209-3562 SHAFT GP-AUXILIARY DRIVE (contd.)

102327562



GRAPHIC #1

<END>

g00814255



# BASIC ENGINE

## 7N-8042    **SHAFT GP-AUXILIARY DRIVE-LOWER FRONT, LH** FOR USAGE REFER TO CHART 8N-7500-PAGE: 2103 AN ATTACHMENT

**SMCS-1207**

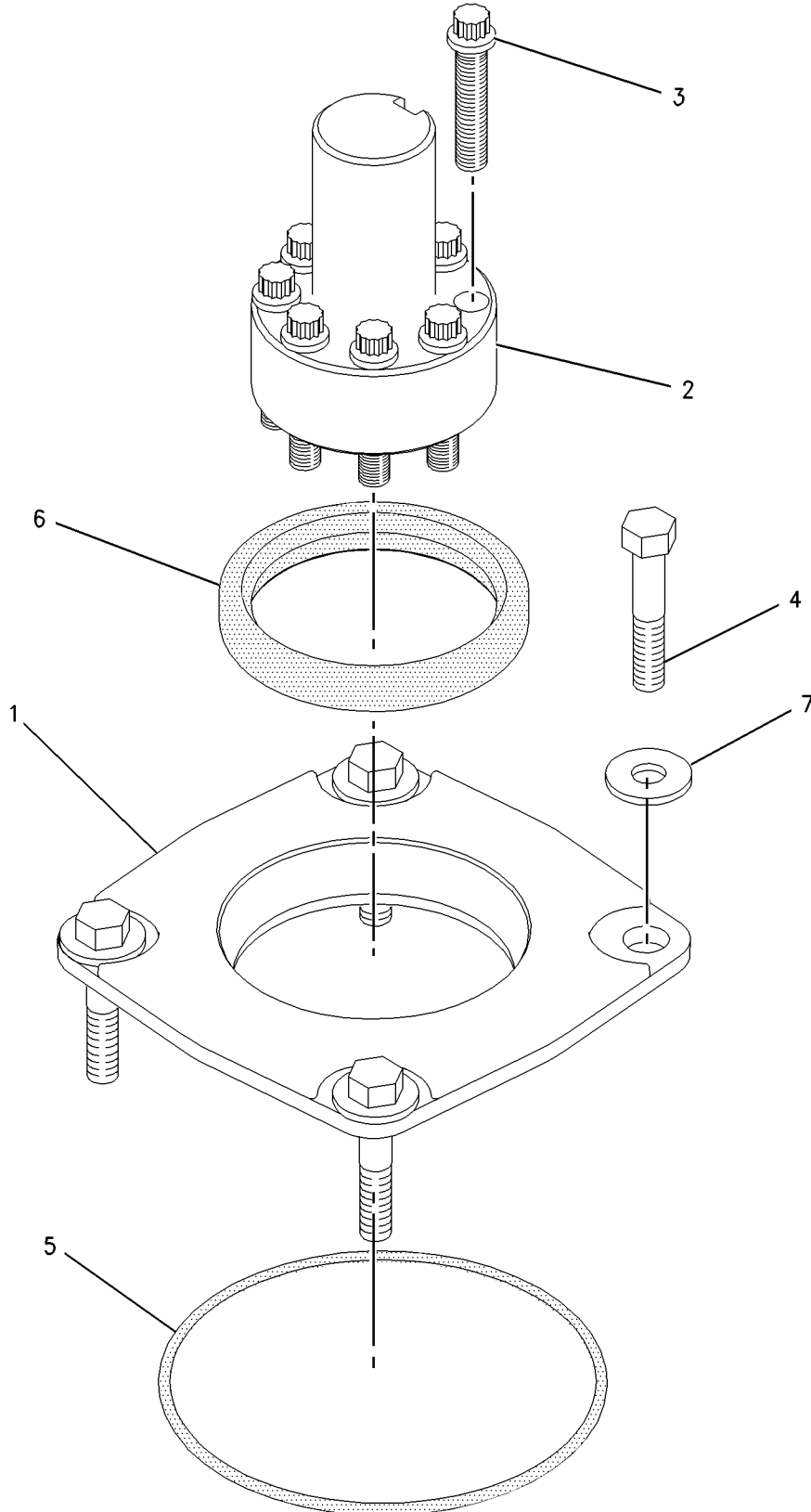
**i07358130**

NOTE	REF NO	GRAPHIC REF	PART NUMBER	QTY	PART NAME						SEE PAGE
					1	2	3	4	5	6	
	1	1	<b>7N-7991</b>	1	ADAPTER						
	2	1	<b>9Y-4957</b>	1	SHAFT-STUB						
	3	1	<b>053-2294</b>	8	BOLT-12 POINT HEAD (3/8-16X1.75-IN)						
	4	1	<b>0S-1590</b>	4	BOLT (3/8-16X2-IN)						
	5	1	<b>9X-7371</b>	1	SEAL-O-RING						
	6	1	<b>7C-7808</b>	1	SEAL-LIP TYPE						
	7	1	<b>9L-9132</b>	4	WASHER (10.2X25.5X2.5-MM THK)						

# BASIC ENGINE

7N-8042 SHAFT GP-AUXILIARY DRIVE (contd.)

i07358130



GRAPHIC #1

<END>

g00813860

# BASIC ENGINE

## 5N-2324 SHAFT GP-STUB

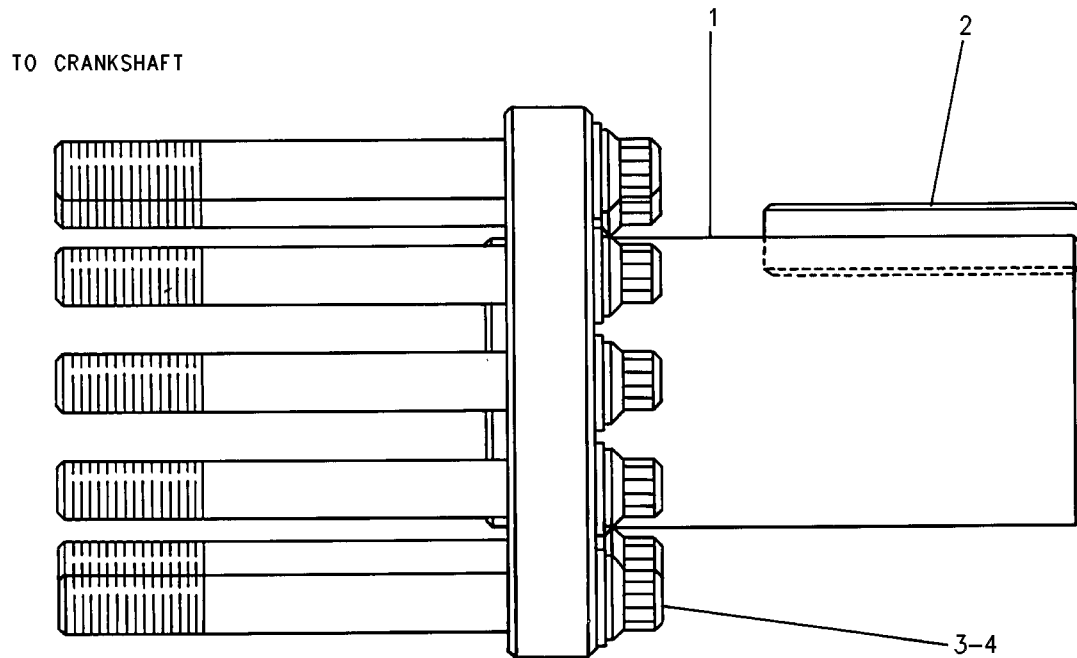
FRONT

FOR USAGE REFER TO CHART 8N-7500-PAGE: 2103  
AN ATTACHMENT

SMCS-1237

i00934717

NOTE	REF NO	GRAPHIC REF	PART NUMBER	QTY	PART NAME						SEE PAGE
					1	2	3	4	5	6 (PRODUCT LEVEL)	
	1	1	<b>5N-2322</b>	1	SHAFT-STUB						
	2	1	<b>5L-1263</b>	1	KEY-OUTPUT SHAFT						
	3	1	<b>5N-2317</b>	12	BOLT-12 POINT HEAD (1-14X9.5-IN)						
	4	1	<b>5F-6562</b>	12	WASHER-HARD (28X44.5X4-MM THK)						



GRAPHIC #1

<END>

g00480079

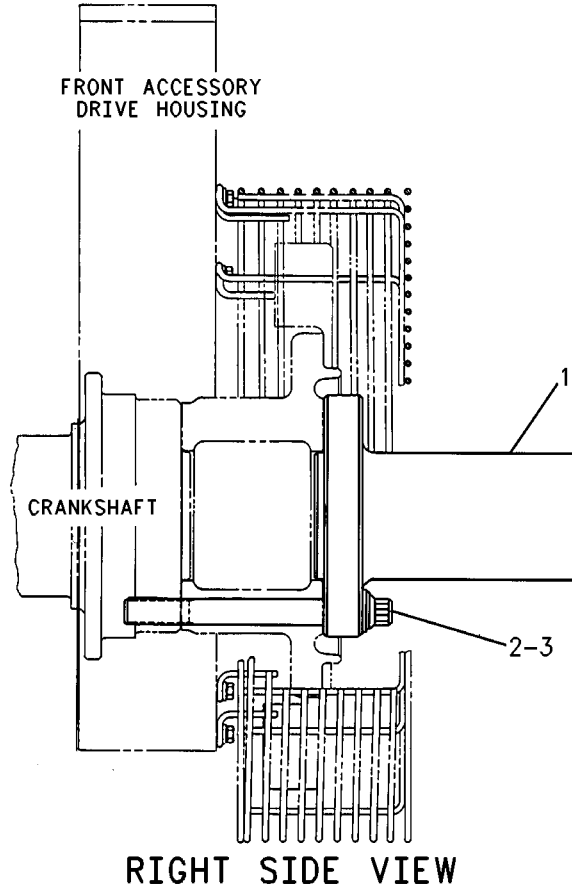
# BASIC ENGINE

## 7W-5237 SHAFT GP-STUB-FRONT AN ATTACHMENT

SMCS - 1237

i07192118

NOTE	REF NO	GRAPHIC REF	PART NUMBER	QTY	PART NAME						SEE PAGE
					1	2	3	4	5	6 (PRODUCT LEVEL)	
	1	1	<b>5N-2322</b>	1	SHAFT-STUB						
	2	1	<b>5N-2317</b>	12	BOLT-12 POINT HEAD (1-14X9.5-IN)						
	3	1	<b>5F-6562</b>	12	WASHER-HARD (28X44.5X4-MM THK)						



GRAPHIC #1

<END>

g00994928

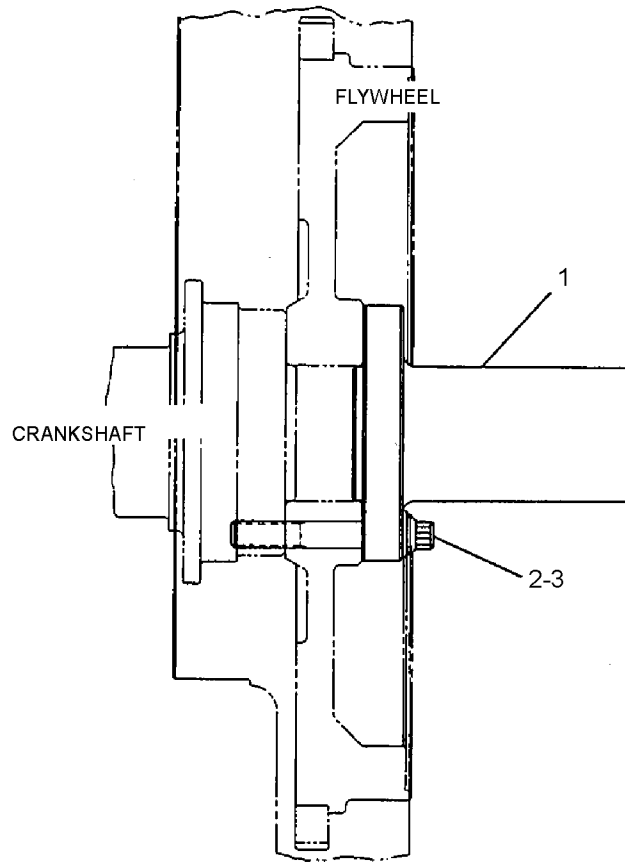
# BASIC ENGINE

## 7W-5293 SHAFT GP-STUB-REAR AN ATTACHMENT

SMCS-1237

i05946467

NOTE	REF NO	GRAPHIC REF	PART NUMBER	QTY	PART NAME						SEE PAGE
					1	2	3	4	5	6 (PRODUCT LEVEL)	
	1	1	<b>5N-2322</b>	1	SHAFT-STUB						
	2	1	<b>269-1881</b>	12	BOLT-12 POINT HEAD (1-14X7.25-IN)						
	3	1	<b>5F-6562</b>	12	WASHER-HARD (28X44.5X4-MM THK)						



LEFT SIDE VIEW

GRAPHIC #1

<END>

g01150610

# BASIC ENGINE

## 2W-6606 SUPPORT GP-ENGINE

S/N: 50Y647-1304

(FLYWHEEL HOUSING)

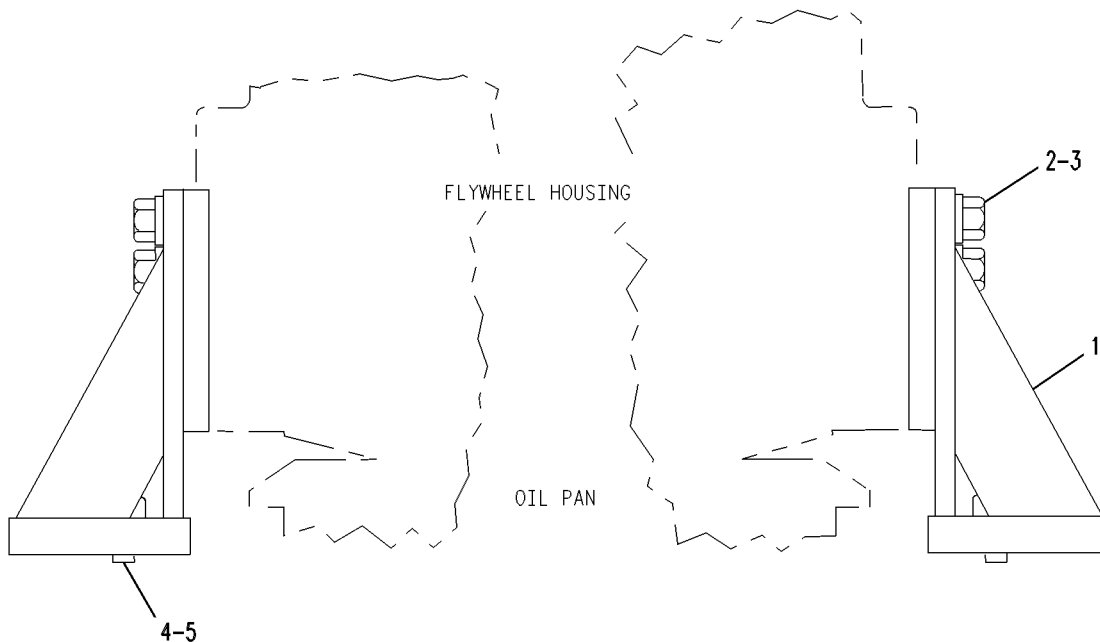
FOR USE WITH TRUNNION TYPE FRONT ENGINE SUPPORT

CANNOT BE USED WITH JACKET WATER HEATER, SUMP PUMP OR ENGINE SUPPORT RAILS  
AN ATTACHMENT

SMCS-1152, 1153, 1154

i00934344

NOTE	REF NO	GRAPHIC REF	PART NUMBER	QTY	PART NAME						SEE PAGE
					1	2	3	4	5	6 (PRODUCT LEVEL)	
1	1	1	<b>2W-5506</b>	2	SUPPORT AS						
2	1	1	<b>9S-1368</b>	16	BOLT (1-14X3.5-IN)						
3	1	1	<b>5P-8250</b>	16	WASHER (28X49X5-MM THK)						
4	1	1	<b>4L-6665</b>	2	SETSCREW (1-14X3.88-IN)						
5	1	1	<b>1B-4209</b>	2	NUT-FULL (1-14-THD)						



GRAPHIC #1

<END>

g00480338

# BASIC ENGINE

## 2W-6607 SUPPORT GP-ENGINE

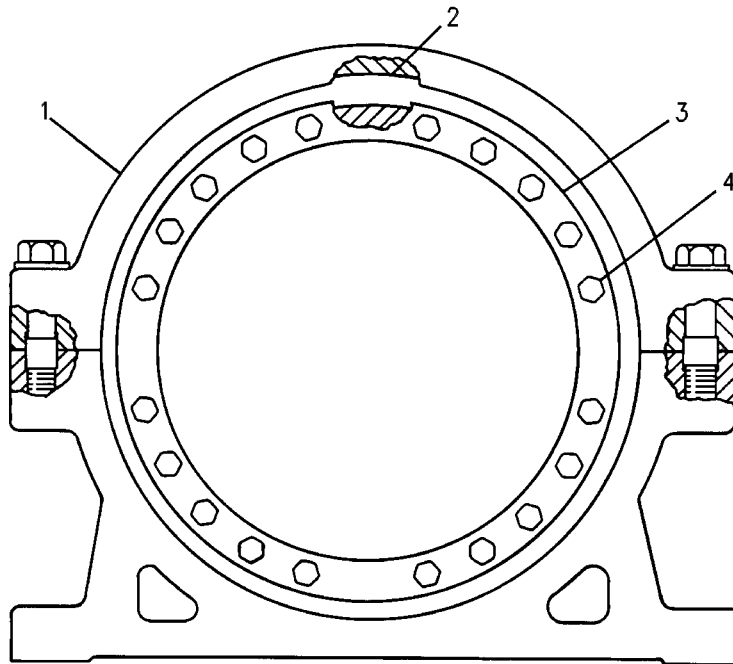
### FRONT TRUNNION

**CANNOT BE USED WITH JACKET WATER HEATER, SUMP PUMP, ENGINE SUPPORT RAILS, FRONT CLUTCH, HYD PUMP DRIVE MTG GP AN ATTACHMENT**

**SMCS-1152, 1153, 1154**

**i00934354**

NOTE	REF NO	GRAPHIC REF	PART NUMBER	QTY	PART NAME						SEE PAGE
					1	2	3	4	5	6 (PRODUCT LEVEL)	
	1	1	<b>2W-5514</b>	1	SUPPORT AS-TRUNNION						
	2	1	<b>2W-5508</b>	2	BEARING						
	3	1	<b>2W-5507</b>	1	SUPPORT-TRUNNION						
	4	1	<b>1D-4566</b>	20	BOLT (1/2-13X3.5-IN)						
		1	<b>5P-8245</b>	20	WASHER-HARD (13.5X25.5X3-MM THK)						



GRAPHIC #1

<END>

g00480335

# BASIC ENGINE

## 2W-6608 SUPPORT GP-ENGINE

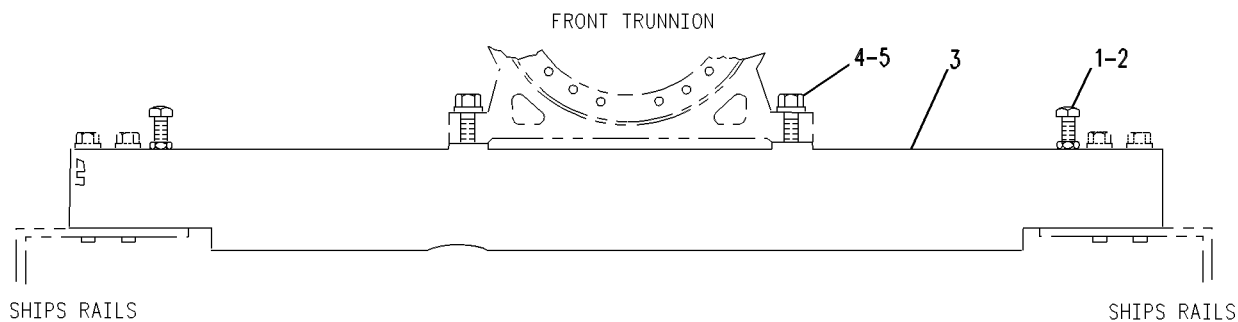
S/N: 66Z190-578

FOR USE WITH FRONT TRUNNION AND 3 POINT MTG SYSTEM AN ATTACHMENT

SMCS-1152, 1153, 1154

i00935344

NOTE	REF NO	GRAPHIC REF	PART NUMBER	QTY	PART NAME						SEE PAGE	
					1	2	3	4	5	6 (PRODUCT LEVEL)		
	1	1	3L-2227	2	SETScrew	(3/4-10X6-IN)						
	2	1	1D-5119	2	NUT	(3/4-10-THD)						
	3	1	2W-6605	1	SUPPORT AS							
	4	1	1D-4627	2	BOLT	(7/8-9X3-IN)						
	5	1	5P-8249	2	WASHER-HARD	(24X41.5X4-MM THK)						



GRAPHIC #1

<END>

g00485201



# BASIC ENGINE

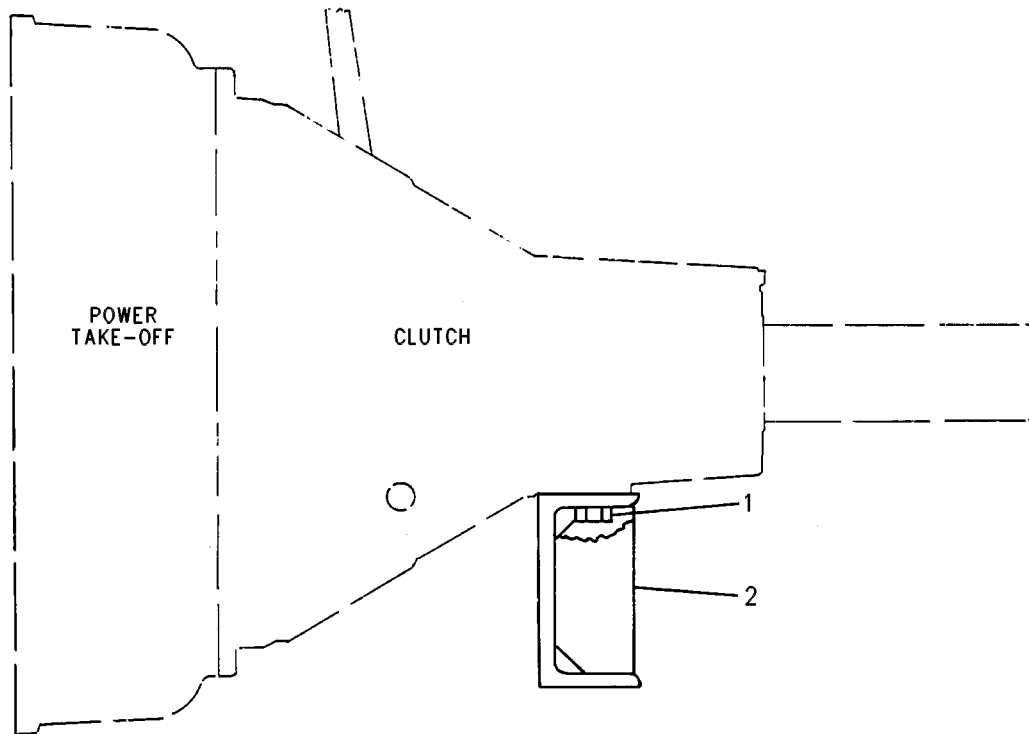
## 3N-4131 SUPPORT GP-POWER TAKE-OFF

FOR USE WHEN TOTAL SIDE LOAD EXCEEDS 3000 LBS  
AN ATTACHMENT

SMCS-1165

i00934412

NOTE	REF NO	GRAPHIC REF	PART NUMBER	QTY	PART NAME						SEE PAGE
					1	2	3	4	5	6 (PRODUCT LEVEL)	
	1	1	<b>1A-0458</b>	2	BOLT (3/4-10X1.75-IN)						
		1	<b>5P-8248</b>	2	WASHER-HARD (20X36.5X3.5-MM THK)						
2		1	<b>3N-4132</b>	1	SUPPORT AS-CLUTCH						



GRAPHIC #1

<END>

g00480321

# BASIC ENGINE

## 7N-1863 TRUNNION GP-ENGINE

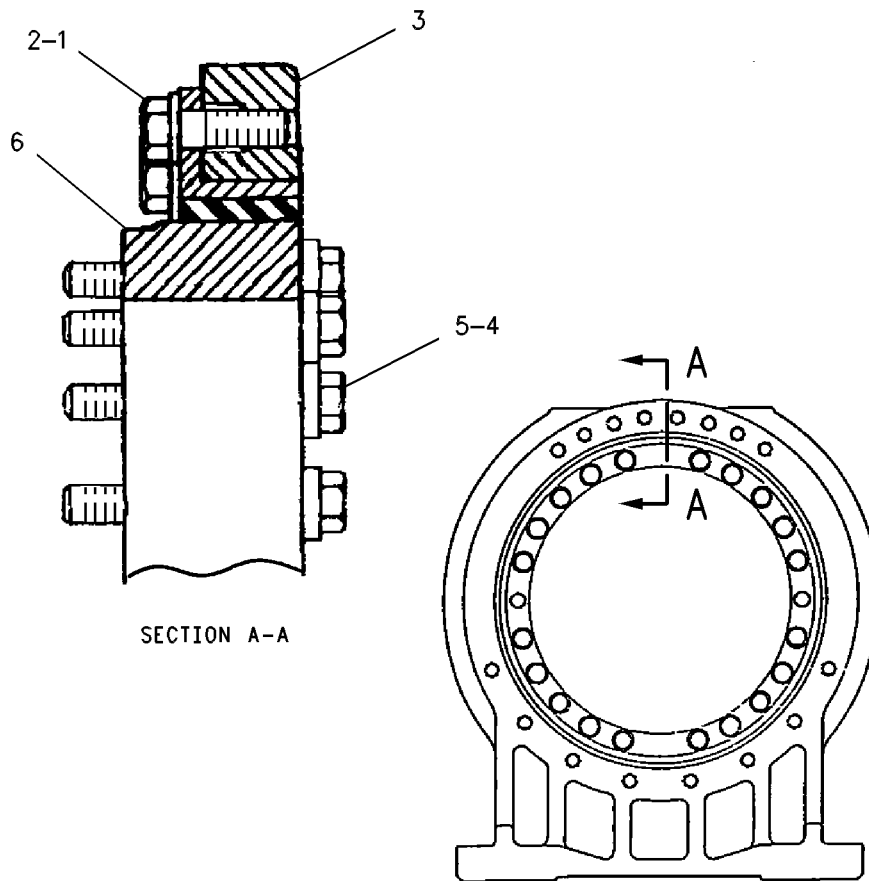
FOR USE WITH REMOTE MOUNTED TRANSMISSION WITH FLEXIBLE COUPLING BETWEEN FLYWHEEL &  
TRANSMISSION, AND 3-POINT MOUNTING SYSTEM  
AN ATTACHMENT

SMCS-1154

i05854047

NOTE	REF NO	GRAPHIC REF	PART NUMBER	QTY	PART NAME						SEE PAGE
					1	2	3	4	5	6 (PRODUCT LEVEL)	
C	1	1	<b>8S-4734</b>	16	BOLT (9/16-12X2-IN)						
C	2	1	<b>5P-8246</b>	16	WASHER-HARD (15.5X29X3-MM THK)						
	3	1	<b>8N-1287</b>	1	SUPPORT-OUTER						
	4	1	<b>5P-8245</b>	20	WASHER-HARD (13.5X25.5X3-MM THK)						
	5	1	<b>1D-4566</b>	20	BOLT (1/2-13X3.5-IN)						
	6	1	<b>9X-7438</b>	1	MOUNT AS						

C - CHANGE FROM PREVIOUS TYPE



GRAPHIC #1

<END>

g00621983

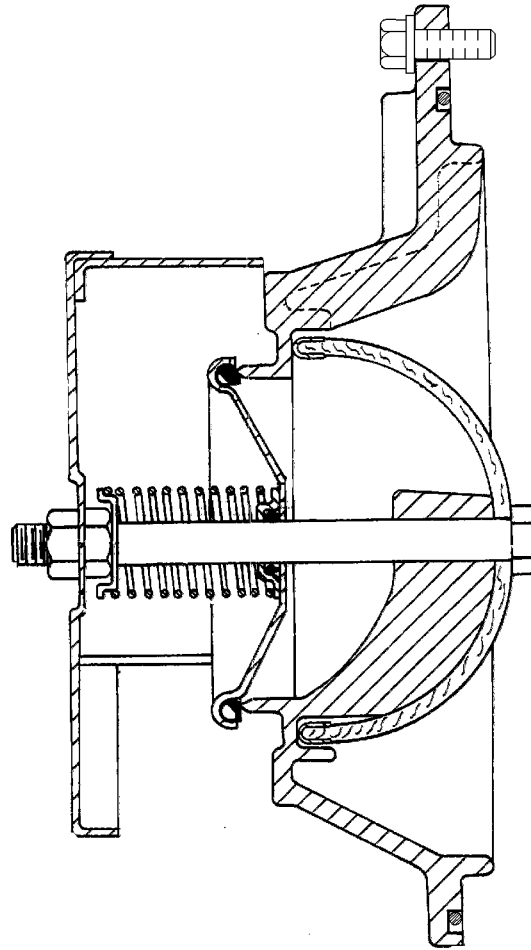
# BASIC ENGINE

## 155-2567 VALVE GP-EXPLOSION RELIEF CRANKCASE, CHROME AN ATTACHMENT

SMCS-1233

i05333611

NOTE	REF NO	GRAPHIC REF	PART NUMBER	QTY	PART NAME 1 2 3 4 5 6 (PRODUCT LEVEL)	SEE PAGE
					AVAILABLE REPAIR KIT(S):	
			422-9537	1	KIT-REPAIR (EXPLOSION RELIEF) (INCLUDES VALVE PLATE & SPINDLE O-RINGS)	



GRAPHIC #1

<END>

g00537661

# BASIC ENGINE

## 155-2586 VALVE GP-EXPLOSION RELIEF-CRANKCASE

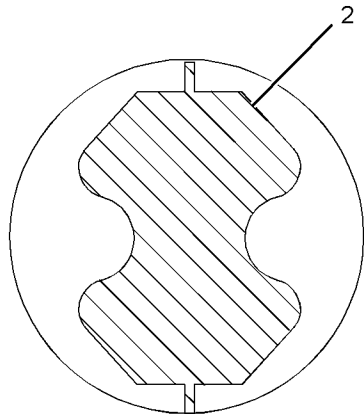
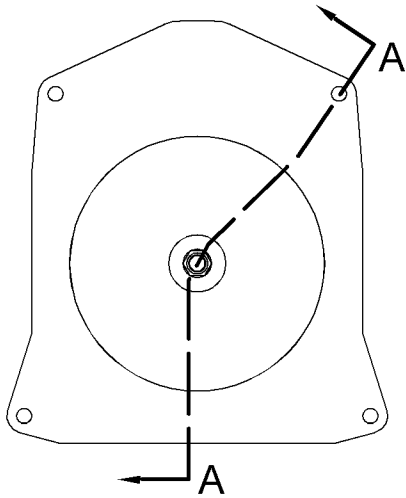
**CHROME PLATED  
AN ATTACHMENT**

**SMCS-1233**

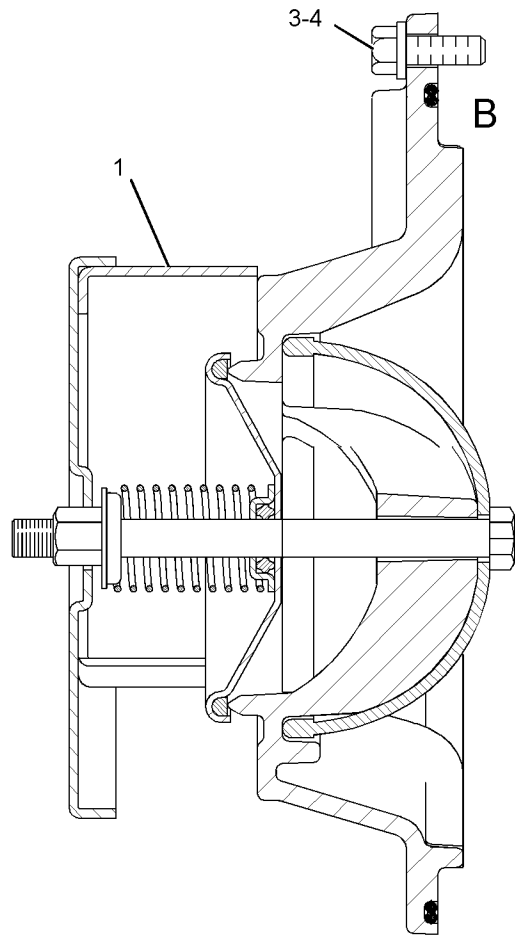
**i02626007**

NOTE	REF NO	GRAPHIC REF	PART NUMBER	QTY	PART NAME						SEE PAGE
					1	2	3	4	5	6 (PRODUCT LEVEL)	
J	1	1	<b>155-2567</b>	1	VALVE GP-EXPLOSION RELIEF (CRANKCASE)						
	2	1	<b>272-0759</b>	1	SEAL						
	3	1	<b>133-6261</b>	4	WASHER (10.2X18.5X2.5-MM THK)						
	4	1	<b>133-6268</b>	4	BOLT (3/8-16X1-IN)						
					AVAILABLE REPAIR KIT(S):						
J			<b>2W-3584</b>	1	KIT-REPAIR (EXPLOSION RELIEF)						
					(INCLUDES VALVE PLATE & SPINDLE O-RINGS)						

J - KIT MARKED J SERVICES PART(S) MARKED J



VIEW OF AREA B



SECTION A-A

GRAPHIC #1

<END>

g01319451

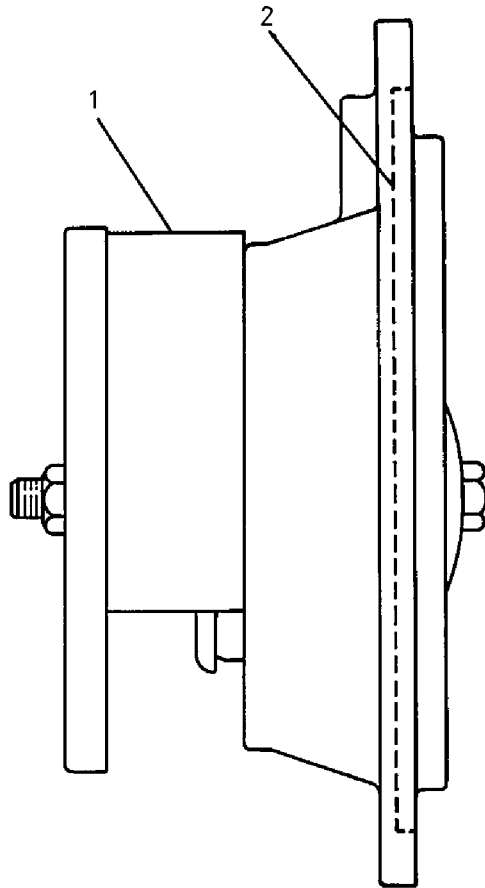
# BASIC ENGINE

## 8N-8510 VALVE GP-EXPLOSION RELIEF-CRANKCASE AN ATTACHMENT

SMCS-1233

i07230810

NOTE	REF NO	GRAPHIC REF	PART NUMBER	QTY	PART NAME						SEE PAGE
					1	2	3	4	5	6 (PRODUCT LEVEL)	
J	1	1	<b>8N-8509</b>	2	VALVE GP-EXPLOSION RELIEF (CRANKCASE)						
	2	1	<b>272-0759</b>	2	SEAL						
					AVAILABLE REPAIR KIT(S):						
J			<b>2W-3584</b>	1	KIT-REPAIR (EXPLOSION RELIEF) (CRANKCASE)						
					(INCLUDES VALVE PLATE & SPINDLE O-RINGS)						
J - KIT MARKED J SERVICES PART(S) MARKED J											



GRAPHIC #1

<END>

g00637870

# BASIC ENGINE

## 224-9869 VALVE MECHANISM GP

S/N: 50Y647-1304

PART OF 376-4849 ENGINE AR-COMplete

SMCS-1102, 1121, 1123, 1209

i06689105

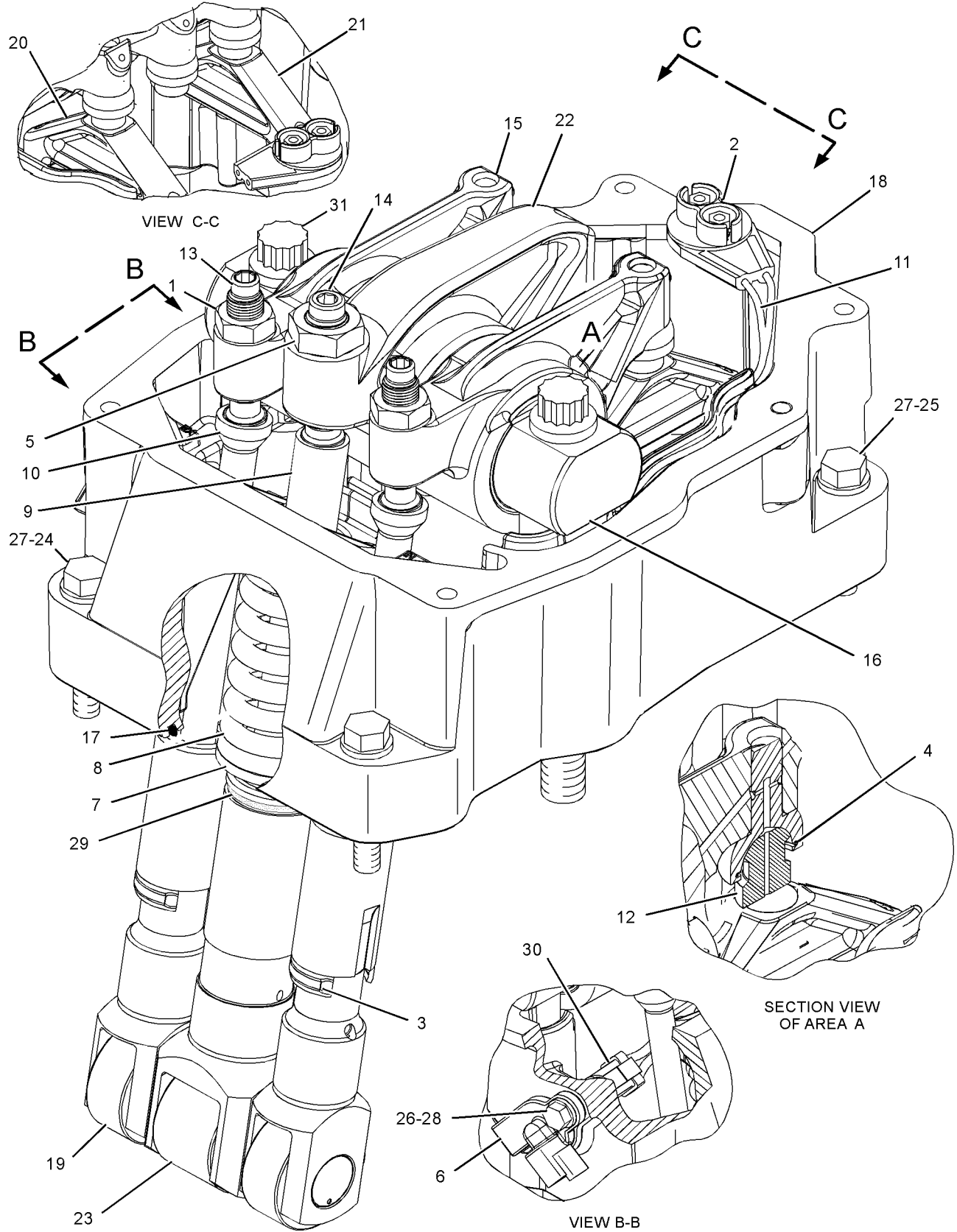
NOTE	REF NO	GRAPHIC REF	PART NUMBER	QTY	PART NAME						SEE PAGE
					1	2	3	4	5	6 (PRODUCT LEVEL)	
	1	1	<b>3J-9196</b>	2	NUT-JAM (1/2-20-THD)						
	2	1	<b>7E-6508</b>	1	CAP AS						
	3	1	<b>7N-4782</b>	2	SPRING-LIFTER GUIDE						
	4	1	<b>9F-7707</b>	3	RING-RETAINING						
	5	1	<b>317-1121</b>	1	NUT-JAM (5/8-18-THD)						
	6	1	<b>9X-0352</b>	1	RECEPTACLE AS-CONNECTOR (2-PIN)						
	7	1	<b>100-3877</b>	1	RETAINER-SPRING						
	8	1	<b>100-3878</b>	1	SPRING-INJECTOR						
	9	1	<b>100-3879</b>	1	PUSHROD-INJECTOR						
	10	1	<b>100-3880</b>	2	PUSHROD-VALVE						
	11	1	<b>132-6469</b>	1	HARNES AS-WIRING (VALVE MECHANISM)						
		1	<b>155-2270</b>	1	KIT-CONNECTING PLUG (2-PIN) (KIT INCLUDES PLUG AS, WEDGE, & INTERFACE SEAL)						
		1	<b>7E-6513</b>	1	CONNECTOR AS						
		1	<b>186-3736</b>	2	SOCKET-CONNECTOR (16-GA TO 18-GA)						
E		1	<b>124-0284</b>		TUBE-HEAT SHRINK (3.2-MM DIA) (6-CM)						
	12	1	<b>154-6389</b>	3	BUTTON						
	13	1	<b>358-0768</b>	2	SCREW-ADJUSTING (1/2-20X2.42-IN)						
	14	1	<b>380-4843</b>	1	SCREW-ADJUSTING (5/8-18X2.375-IN)						
R	15	1	<b>230-2621</b>	2	ROCKER ARM AS (EACH INCLUDES)						
		1	<b>8N-7197</b>	1	SOCKET-ARM						
		1	<b>230-2620</b>	1	BUSHING						
	16	1	<b>230-2633</b>	1	SHAFT AS (ROCKER ARM)						
		1	<b>155-4094</b>	1	PIN-SPRING						
C	17	1	<b>240-7032</b>	1	SEAL						
CY	18	1	<i>247-8341</i>	1	BASE GP-VALVE COVER						43
R	19	1	<b>416-8319</b>	2	LIFTER AS-VALVE						
	20	1	<b>265-7537</b>	1	BRIDGE (INLET)						
	21	1	<b>265-7538</b>	1	BRIDGE (EXHAUST)						
R	22	1	<b>281-6159</b>	1	ROCKER ARM AS (EACH INCLUDES)						
		1	<b>8N-7197</b>	1	SOCKET-ARM						
		1	<b>230-2620</b>	1	BUSHING						
R	23	1	<b>282-7944</b>	1	LIFTER AS-INJECTOR						
	24	1	<b>0L-2070</b>	2	BOLT (3/8-16X2.25-IN)						
	25	1	<b>334-1626</b>	2	BOLT (3/8-16X2-IN)						
	26	1	<b>0S-1615</b>	1	BOLT (1/4-20X0.75-IN)						
	27	1	<b>5M-2894</b>	4	WASHER-HARD (10.2X18.5X2.5-MM THK)						
	28	1	<b>5P-0537</b>	1	WASHER-HARD (7.2X14.5X2-MM THK)						
	29	1	<b>5P-7530</b>	1	SEAL-O-RING						
	30	1	<b>6J-2245</b>	1	SEAL-O-RING						
	31	1	<b>8D-7942</b>	2	BOLT-12 POINT HEAD (5/8-11X6.5-IN)						

C - CHANGE FROM PREVIOUS TYPE  
 E - ORDER BY THE CENTIMETER  
 R - REMANUFACTURED PART MAY BE AVAILABLE  
 Y - SEPARATE ILLUSTRATION

# BASIC ENGINE

224-9869 VALVE MECHANISM GP (contd.)

i06689105



GRAPHIC #1

<END>

g01260702

# BASIC ENGINE

## 308-5356 VALVE MECHANISM GP

S/N: 50Y647-1304

PART OF 357-0858 ENGINE AR-COMPLETE

SMCS-1102, 1121, 1123, 1209

i05187144

NOTE	REF NO	GRAPHIC REF	PART NUMBER	QTY	PART NAME						SEE PAGE
					1	2	3	4	5	6 (PRODUCT LEVEL)	
	1	1	<b>3J-9196</b>	2	NUT-JAM (1/2-20-THD)						
	2	1	<b>7E-6508</b>	1	CAP AS						
	3	1	<b>7N-4782</b>	2	SPRING-LIFTER GUIDE						
	4	1	<b>9F-7707</b>	3	RING-RETAINING						
	5	1	<b>317-1121</b>	1	NUT-JAM (5/8-18-THD)						
	6	1	<b>9X-0352</b>	1	RECEPTACLE AS-CONNECTOR (2-PIN)						
	7	1	<b>100-3877</b>	1	RETAINER-SPRING						
	8	1	<b>100-3878</b>	1	SPRING-INJECTOR						
	9	1	<b>100-3879</b>	1	PUSHROD-INJECTOR						
	10	1	<b>100-3880</b>	2	PUSHROD-VALVE						
Y	11	1	<b>132-6469</b>	1	HARNES AS-WIRING (VALVE MECHANISM) (VALVE MECHANISM)						1447
	12	1	<b>154-6389</b>	3	BUTTON						
	13	1	<b>358-0768</b>	2	SCREW-ADJUSTING (1/2-20X2.42-IN)						
	14	1	<b>380-4843</b>	1	SCREW-ADJUSTING (5/8-18X2.375-IN)						
R	15	1	<b>230-2621</b>	2	ROCKER ARM AS						
					(EACH INCLUDES)						
		1	<b>8N-7197</b>	1	SOCKET-ARM						
		1	<b>230-2620</b>	1	BUSHING						
	16	1	<b>230-2633</b>	1	SHAFT AS (ROCKER ARM)						
		1	<b>155-4094</b>	1	PIN-SPRING						
	17	1	<b>240-7032</b>	1	SEAL						
Y	18	1	<i>247-8341</i>	1	BASE GP-VALVE COVER						43
R	19	1	<b>416-8319</b>	2	LIFTER AS-VALVE						
	20	1	<b>265-7537</b>	1	BRIDGE (INLET)						
	21	1	<b>265-7538</b>	1	BRIDGE (EXHAUST)						
R	22	1	<b>281-6159</b>	1	ROCKER ARM AS						
		1	<b>8N-7197</b>	1	SOCKET-ARM						
		1	<b>230-2620</b>	1	BUSHING						
R	23	1	<b>282-7944</b>	1	LIFTER AS-INJECTOR						
	24	1	<b>0L-2070</b>	2	BOLT (3/8-16X2.25-IN)						
	25	1	<b>0S-1590</b>	2	BOLT (3/8-16X2-IN)						
	26	1	<b>0S-1615</b>	1	BOLT (1/4-20X0.75-IN)						
	27	1	<b>5M-2894</b>	4	WASHER-HARD (10.2X18.5X2.5-MM THK)						
	28	1	<b>5P-0537</b>	1	WASHER-HARD (7.2X14.5X2-MM THK)						
	29	1	<b>5P-7530</b>	1	SEAL-O-RING						
	30	1	<b>6J-2245</b>	1	SEAL-O-RING						
	31	1	<b>8D-7942</b>	2	BOLT-12 POINT HEAD (5/8-11X6.5-IN)						

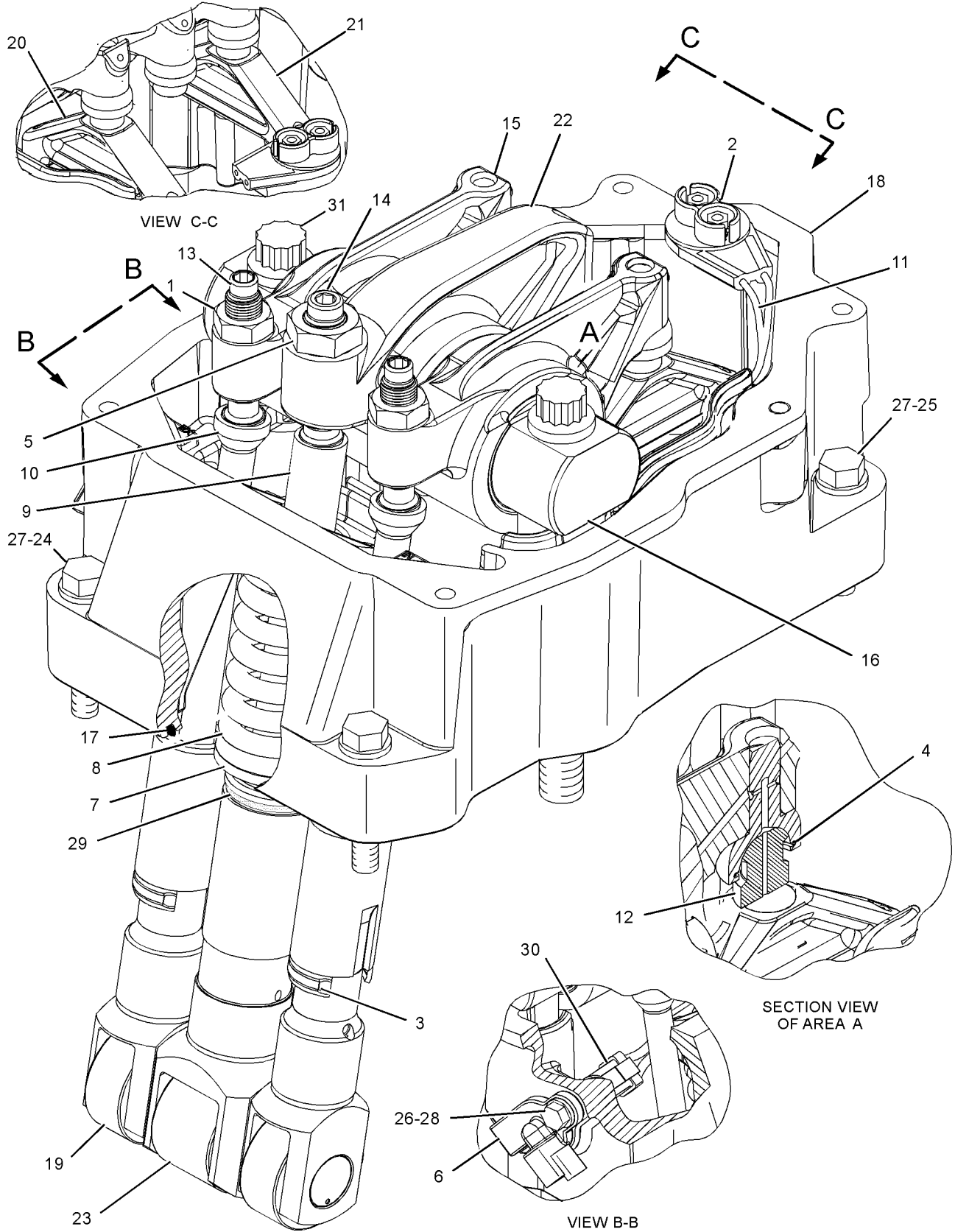
R - REMANUFACTURED PART MAY BE AVAILABLE  
Y - SEPARATE ILLUSTRATION



# BASIC ENGINE

308-5356 VALVE MECHANISM GP (contd.)

i05187144



GRAPHIC #1

<END>

g01260702

# BASIC ENGINE

## 4P-3003 VALVE MECHANISM GP

S/N: 66Z390-398

SMCS-1102, 1121, 1123, 1209

i00649503

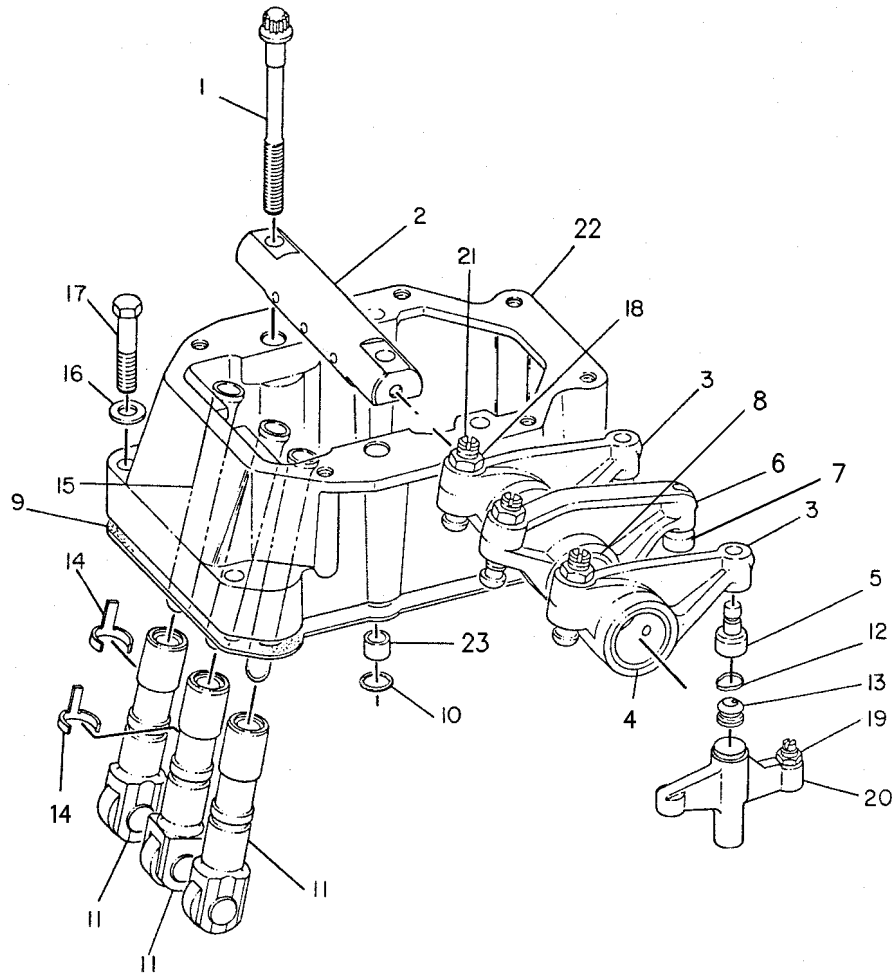
NOTE	REF NO	GRAPHIC REF	PART NUMBER	QTY	PART NAME						SEE PAGE
					1	2	3	4	5	6 (PRODUCT LEVEL)	
	1	1	<b>8T-7581</b>	2	BOLT-12 POINT HEAD (1/2-13X6-IN)						
	2	1	<b>7C-2377</b>	1	SHAFT AS-ARM						
		1	<b>1W-2421</b>	1	DOWEL-HOLLOW						
R	3	1	<b>9Y-1741</b>	2	ROCKER ARM AS						
					(EACH INCLUDES)						
	4	1	<b>1W-4594</b>	1	BUSHING						
	5	1	<b>9Y-1770</b>	1	SOCKET						
	6	1	<b>7W-0370</b>	1	ROCKER ARM AS						
	7	1	<b>8N-7197</b>	1	SOCKET-ARM						
	8	1	<b>1W-4594</b>	1	BUSHING						
	9	1	<b>7E-3772</b>	1	GASKET						
	10	1	<b>2J-0157</b>	2	SEAL-O-RING						
	11	1	<b>9Y-9587</b>	3	LIFTER AS						
	12	1	<b>9F-7707</b>	3	RING-RETAINING						
	13	1	<b>8F-8858</b>	3	VALVE (BUTTON)						
	14	1	<b>7N-4782</b>	3	SPRING-LIFTER GUIDE						
	15	1	<b>4W-6682</b>	3	PUSHROD-VALVE						
	16	1	<b>5M-2894</b>	4	WASHER-HARD (10.2X18.5X2.5-MM THK)						
	17	1	<b>0S-1590</b>	4	BOLT (3/8-16X2-IN)						
	18	1	<b>3J-9196</b>	3	NUT-JAM (1/2-20-THD)						
	19	1	<b>9L-7712</b>	2	NUT (3/8-24-THD)						
		1	<b>2N-5842</b>	2	SCREW (3/8-24X1-IN)						
	20	1	<b>8N-7292</b>	2	BRIDGE AS						
	21	1	<b>7C-0204</b>	3	SCREW-ADJUSTMENT (1/2-20X2.73-IN)						
	22	1	<b>4W-7774</b>	1	BASE AS-COVER						
	23	1	<b>8N-4387</b>	2	DOWEL-HOLLOW						

R - REMANUFACTURED PART MAY BE AVAILABLE

# BASIC ENGINE

4P-3003 VALVE MECHANISM GP (contd.)

100649503



GRAPHIC #1

<END>

g00083598

# BASIC ENGINE

## 4W-1035 VALVE MECHANISM GP

S/N: 50Y647-679; 66Z190-204

SMCS-1102, 1121, 1123, 1209

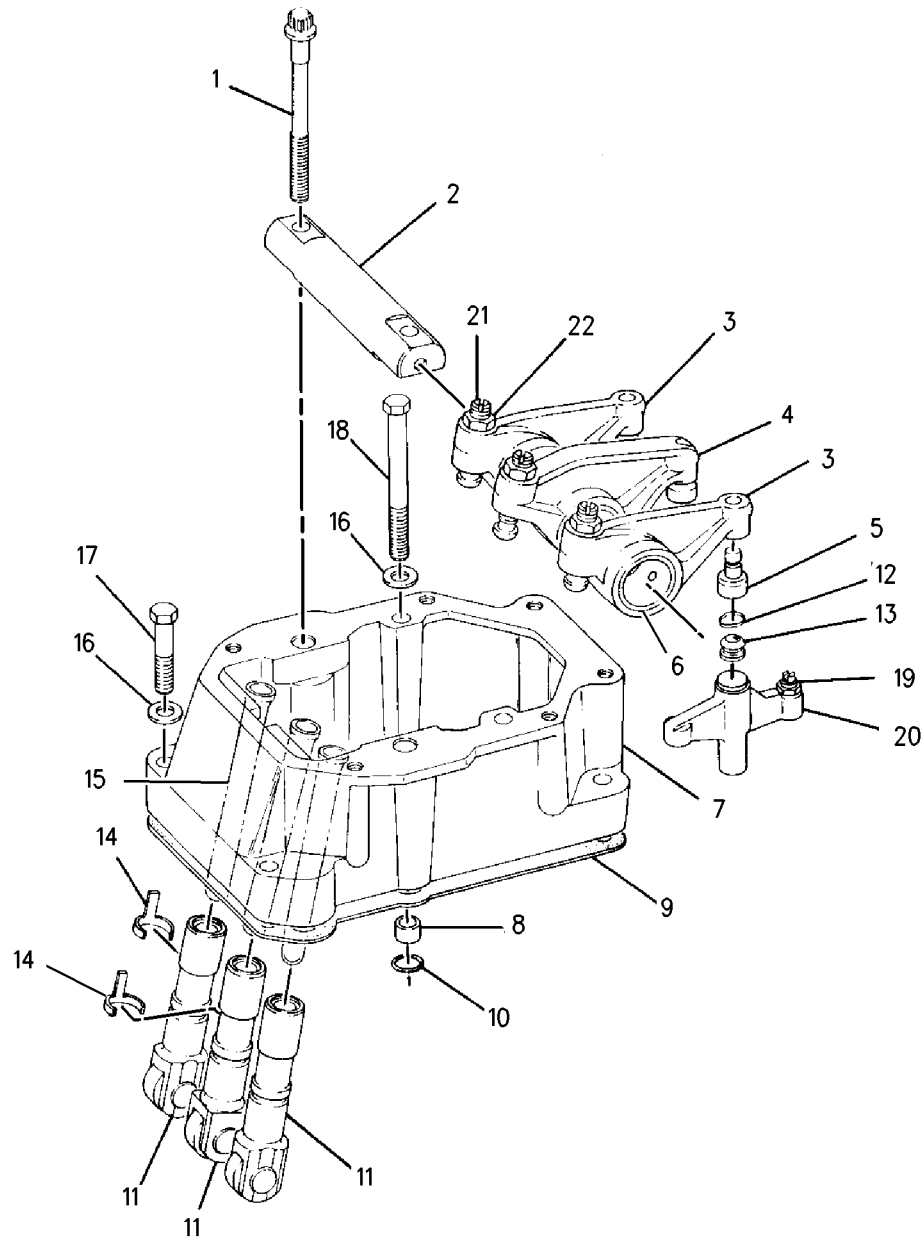
i01333012

NOTE	REF NO	GRAPHIC REF	PART NUMBER	QTY	PART NAME						SEE PAGE
					1	2	3	4	5	6 (PRODUCT LEVEL)	
	1	1	<b>4W-9779</b>	2	BOLT						
	2	1	<b>2W-8888</b>	1	SHAFT AS-ARM						
		1	<b>1W-2421</b>	1	DOWEL-HOLLOW						
	3	1	<b>8N-7290</b>	2	ROCKER ARM AS						
	4	1	<b>7W-0370</b>	1	ROCKER ARM AS						
					(EACH ARM ASSEMBLY INCLUDES)						
	5	1	<b>8N-7197</b>	1	SOCKET-ARM						
	6	1	<b>1W-4594</b>	1	BUSHING						
	7	1	<b>4W-7774</b>	1	BASE AS-COVER						
	8	1	<b>8N-4387</b>	2	DOWEL-HOLLOW						
	9	1	<b>4W-7656</b>	1	GASKET						
	10	1	<b>2J-0157</b>	2	SEAL-O-RING						
	11	1	<b>7W-8121</b>	3	LIFTER AS						
	12	1	<b>9F-7707</b>	3	RING-RETAINING						
	13	1	<b>8F-8858</b>	3	VALVE (BUTTON)						
	14	1	<b>7N-4782</b>	3	SPRING-LIFTER GUIDE						
	15	1	<b>4W-6682</b>	3	PUSHROD-VALVE						
	16	1	<b>5M-2894</b>	6	WASHER-HARD (10.2X18.5X2.5-MM THK)						
	17	1	<b>0S-1590</b>	4	BOLT (3/8-16X2-IN)						
	18	1	<b>1A-5964</b>	2	BOLT (3/8-16X4.5-IN)						
	19	1	<b>9L-7712</b>	2	NUT (3/8-24-THD)						
		1	<b>2N-5842</b>	2	SCREW (3/8-24X1-IN)						
	20	1	<b>8N-7292</b>	2	BRIDGE AS						
	21	1	<b>7C-0204</b>	3	SCREW-ADJUSTMENT (1/2-20X2.73-IN)						
	22	1	<b>3J-9196</b>	3	NUT-JAM (1/2-20-THD)						

# BASIC ENGINE

4W-1035 VALVE MECHANISM GP (contd.)

i01333012



GRAPHIC #1

<END>

g00705071

# BASIC ENGINE

## 4W-1035 VALVE MECHANISM GP

S/N: 50Y680-1304; 66Z205-389, 399-578

SMCS-1102, 1121, 1123, 1209

i02514270

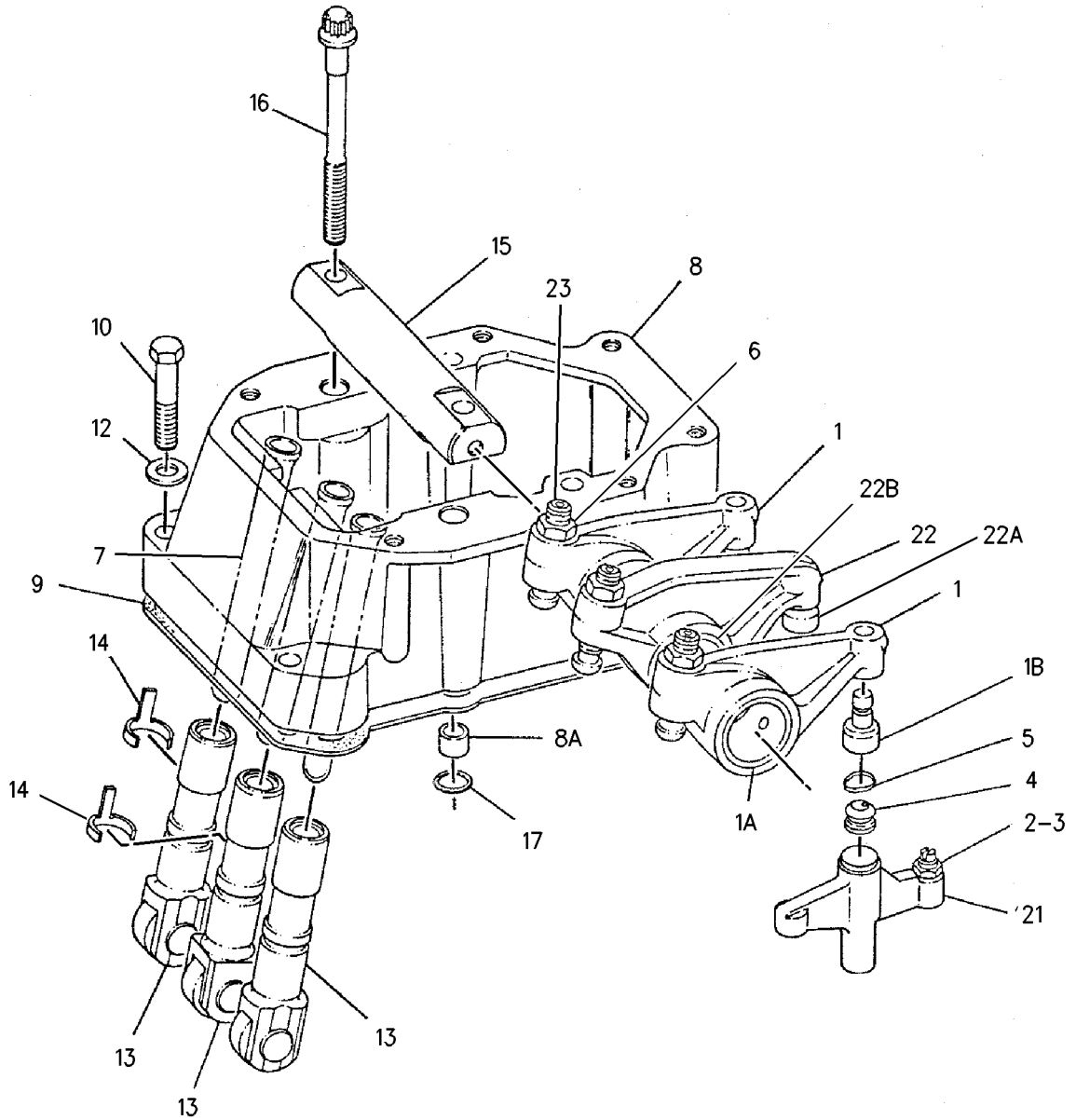
NOTE	REF NO	GRAPHIC REF	PART NUMBER	QTY	PART NAME	SEE PAGE
					1 2 3 4 5 6 (PRODUCT LEVEL)	
CR	1	1	<b>9Y-1741</b>	2	ROCKER ARM AS	
					(EACH INCLUDES)	
	1A	1	<b>1W-4594</b>	1	BUSHING	
	1B	1	<b>8N-7197</b>	1	SOCKET-ARM	
	2	1	<b>2N-5842</b>	2	SCREW (3/8-24X1-IN)	
	3	1	<b>9L-7712</b>	2	NUT (3/8-24-THD)	
	4	1	<b>8F-8858</b>	3	VALVE (BUTTON)	
	5	1	<b>9F-7707</b>	3	RING-RETAINING	
	6	1	<b>3J-9196</b>	3	NUT-JAM (1/2-20-THD)	
	7	1	<b>4W-6682</b>	3	PUSHROD-VALVE	
	8	1	<b>4W-7774</b>	1	BASE AS-COVER	
	8A	1	<b>8N-4387</b>	2	DOWEL-HOLLOW	
	9	1	<b>7E-3772</b>	1	GASKET	
B	10	1	<b>0S-1590</b>	4	BOLT (3/8-16X2-IN)	
B	12	1	<b>5M-2894</b>	4	WASHER-HARD (10.2X18.5X2.5-MM THK)	
R	13	1	<b>263-6679</b>	3	LIFTER AS	
					(EACH INCLUDES)	
		1	<b>7N-3421</b>	1	INSERT-LIFTER	
	14	1	<b>7N-4782</b>	3	SPRING-LIFTER GUIDE	
	15	1	<b>7C-2377</b>	1	SHAFT AS-ARM	
		1	<b>154-1584</b>	1	PIN-SPRING	
	16	1	<b>8T-7581</b>	2	BOLT-12 POINT HEAD (1/2-13X6-IN)	
	17	1	<b>2J-0157</b>	2	SEAL-O-RING	
	21	1	<b>129-4181</b>	2	BRIDGE AS	
R	22	1	<b>196-4795</b>	1	ROCKER ARM AS	
	22A	1	<b>8N-7197</b>	1	SOCKET-ARM	
	22B	1	<b>1W-4594</b>	1	BUSHING	
	23	1	<b>200-2003</b>	3	SCREW-ADJUSTMENT (1/2-20X2-IN)	

B - USE AS REQUIRED  
 C - CHANGE FROM PREVIOUS TYPE  
 R - REMANUFACTURED PART MAY BE AVAILABLE

# BASIC ENGINE

4W-1035 VALVE MECHANISM GP (contd.)

i02514270



GRAPHIC #1

<END>

g00861013

# BASIC ENGINE

## 7N-1858 VALVE MECHANISM GP

S/N: 50Y647; 66Z190-206

SMCS-1102, 1121, 1123, 1209

i00935451

NOTE	REF NO	GRAPHIC REF	PART NUMBER	QTY	PART NAME						SEE PAGE
					1	2	3	4	5	6 (PRODUCT LEVEL)	
	1	1	<b>5P-8289</b>	2	BOLT-12 POINT HEAD						
	2	1	<b>1W-2422</b>	1	SHAFT AS-ARMATURE						
		1	<b>1W-2421</b>	1	DOWEL-HOLLOW						
	3	1	<b>7N-3413</b>	3	SCREW-ADJUSTMENT						
		1	<b>3J-9196</b>	3	NUT-JAM (1/2-20-THD)						
	4	1	<b>8N-7290</b>	2	ROCKER ARM AS						
					(EACH INCLUDES)						
	5	1	<b>8N-7197</b>	1	SOCKET-ARM						
	6	1	<b>1W-6326</b>	1	BEARING						
R	7	1	<b>8N-7289</b>	1	ROCKER ARM AS						
		1	<b>1W-6326</b>	1	BEARING						
	8	1	<b>8N-7197</b>	1	SOCKET-ARM						
	9	1	<b>2N-5842</b>	2	SCREW (3/8-24X1-IN)						
		1	<b>9L-7712</b>	2	NUT (3/8-24-THD)						
	10	1	<b>8N-7292</b>	2	BRIDGE AS						
					(EACH INCLUDES)						
	11	1	<b>8N-7191</b>	1	SEAT-WEAR						
	12	1	<b>8F-8858</b>	3	VALVE (BUTTON)						
	13	1	<b>9F-7707</b>	3	RING-RETAINING						
C	14	1	<b>4W-7774</b>	1	BASE AS-COVER						
	15	1	<b>8N-4387</b>	2	DOWEL-HOLLOW						
C	16	1	<b>4W-7656</b>	1	GASKET						
	17	1	<b>0S-1590</b>	4	BOLT (3/8-16X2-IN)						
	18	1	<b>5M-2894</b>	4	WASHER-HARD (10.2X18.5X2.5-MM THK)						
	19	1	<b>2J-0157</b>	2	SEAL-O-RING						
	20	1	<b>7W-8121</b>	3	LIFTER AS						
	21	1	<b>7N-4782</b>	3	SPRING-LIFTER GUIDE						
	22	1	<b>4W-6682</b>	3	PUSHROD-VALVE						

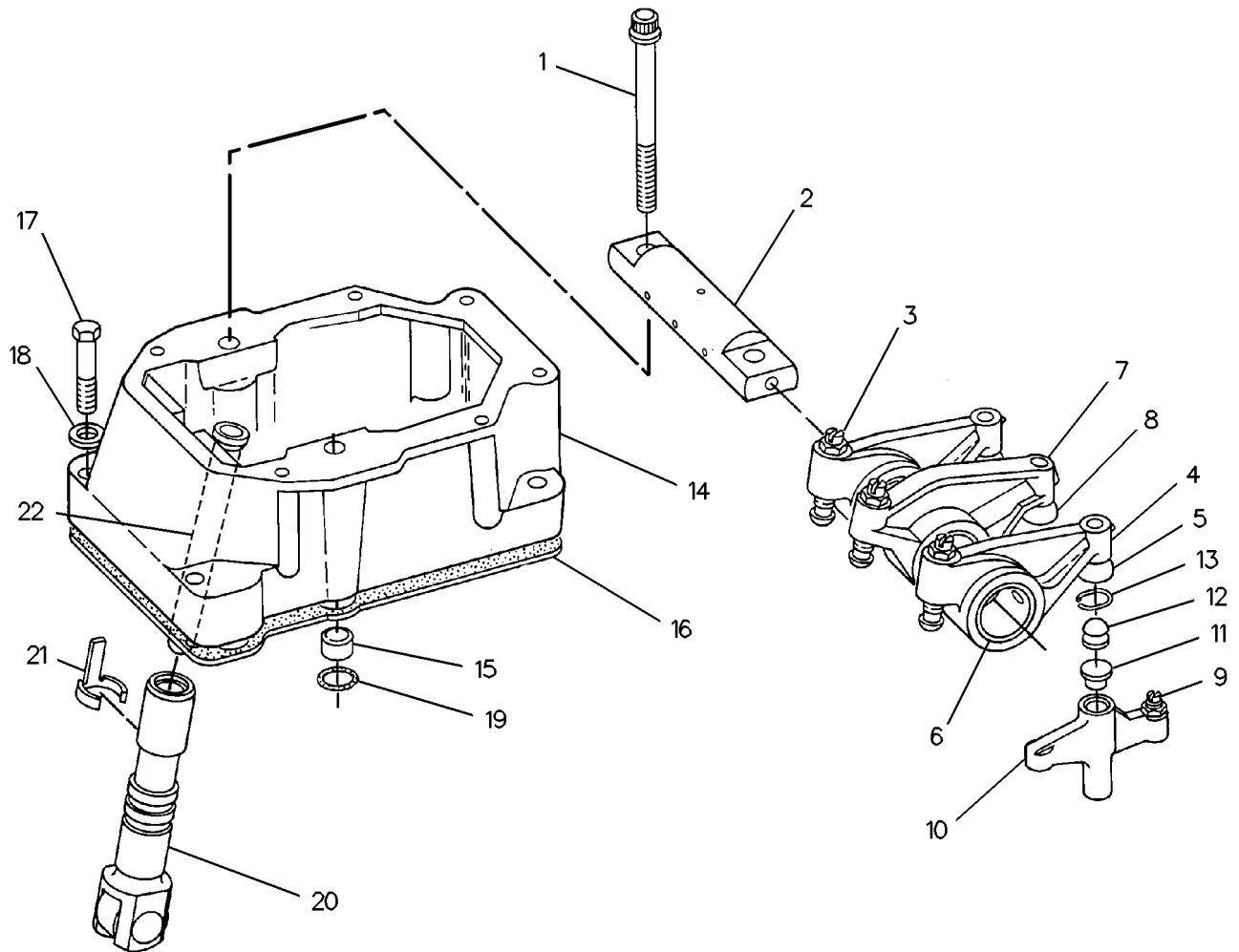
C - CHANGE FROM PREVIOUS TYPE  
R - REMANUFACTURED PART MAY BE AVAILABLE



# BASIC ENGINE

7N-1858 VALVE MECHANISM GP (contd.)

i00935451



GRAPHIC #1

<END>

g00216753

# LUBRICATION SYSTEM

## 124-5512 BREATHER GP

S/N: 50Y647-1304

PART OF 376-4849 ENGINE AR-COMPLETE

SMCS-1317

i07079479

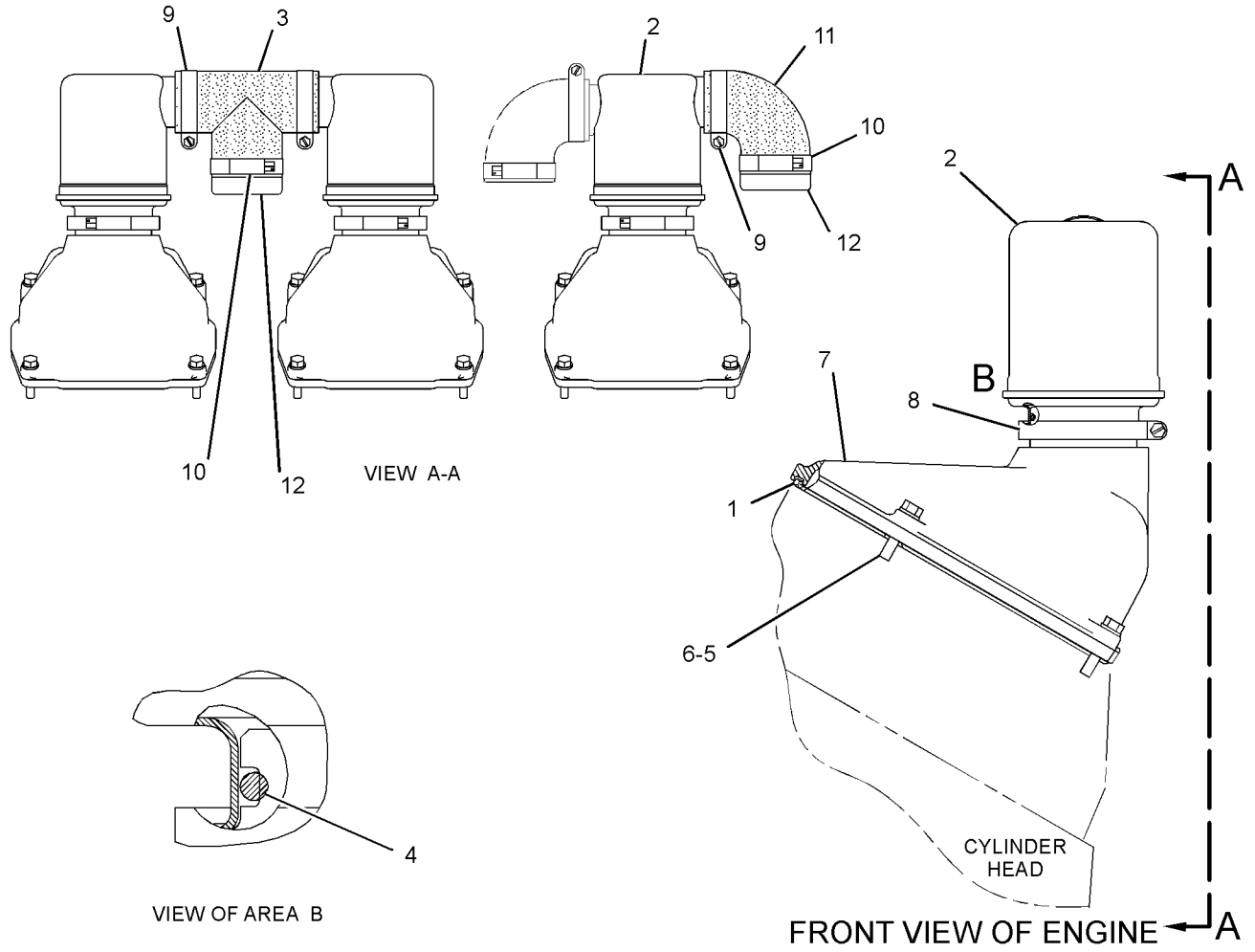
NOTE	REF NO	GRAPHIC REF	PART NUMBER	QTY	PART NAME						SEE PAGE
					1	2	3	4	5	6 (PRODUCT LEVEL)	
	1	1	<b>272-0760</b>	3	SEAL-VALVE COVER (BREATHER)						
	2	1	<b>4W-3027</b>	3	BREATHER AS (CRANKCASE)						
	3	1	<b>217-6692</b>	1	HOSE-TEE						
	4	1	<b>033-6031</b>	3	SEAL-O-RING						
	5	1	<b>1A-9579</b>	12	BOLT (5/16-18X1.5-IN)						
	6	1	<b>9M-1974</b>	12	WASHER-HARD (8.8X16X2-MM THK)						
	7	1	<b>101-4199</b>	3	COVER AS						
	8	1	<b>4W-3034</b>	3	CLAMP-HOSE						
	9	1	<b>5P-0597</b>	3	CLAMP-HOSE						
	10	1	<b>5P-4868</b>	2	CLAMP-HOSE						
	11	1	<b>141-7143</b>	1	HOSE-ELBOW						
B	12	1	<b>7N-7820</b>	2	BOOT						

B - USE AS REQUIRED

# LUBRICATION SYSTEM

124-5512 BREATHER GP (contd.)

i07079479



GRAPHIC #1

<END>

g02108644

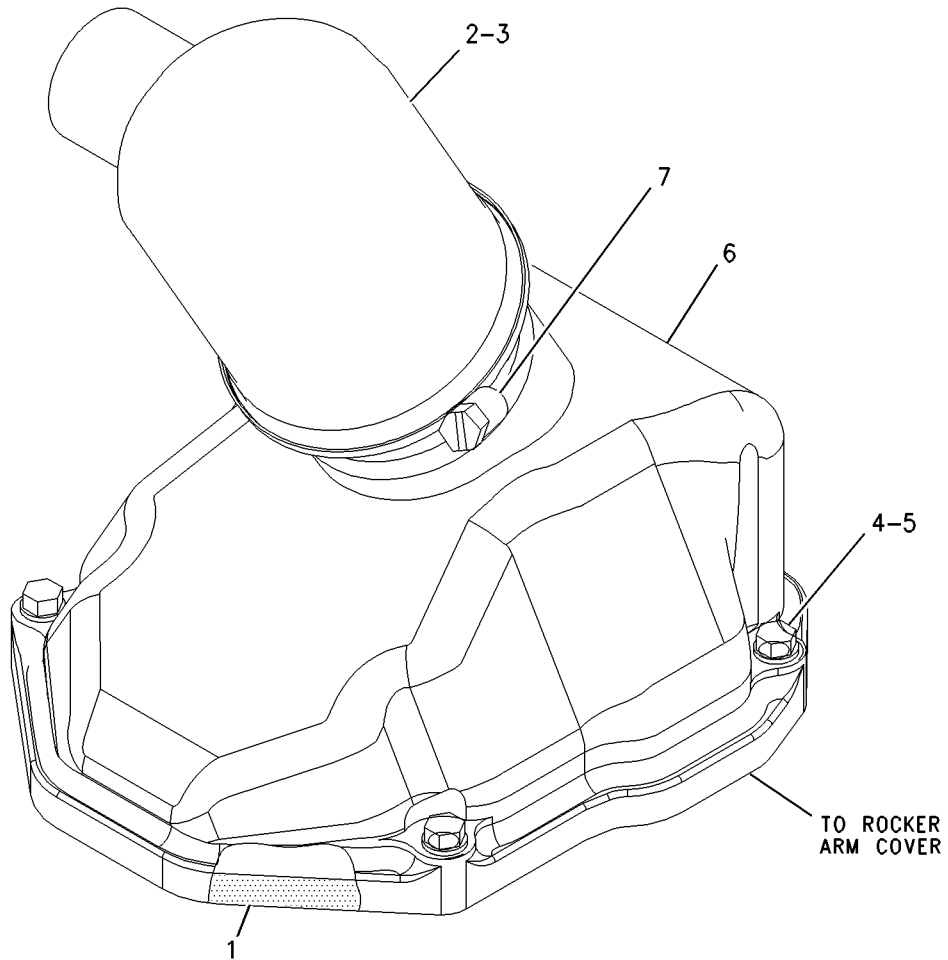
# LUBRICATION SYSTEM

## 155-2584 BREATHER GP-CRANKCASE CHROME PLATED FOR USE WITH MUI ENGINE AN ATTACHMENT

SMCS-1317

i04561115

NOTE	REF NO	GRAPHIC REF	PART NUMBER	QTY	PART NAME						SEE PAGE
					1	2	3	4	5	6 (PRODUCT LEVEL)	
	1	1	<b>272-0757</b>	1	SEAL-VALVE COVER (BREATHER)						
	2	1	<b>126-0577</b>	1	BREATHER AS (CHROME) (CRANKCASE)						
	3	1	<b>033-6031</b>	1	SEAL-O-RING						
	4	1	<b>133-6270</b>	4	BOLT (5/16-18X1.5-IN)						
	5	1	<b>133-6265</b>	4	WASHER (8.8X16X2-MM THK)						
	6	1	<b>155-2568</b>	1	COVER AS						
	7	1	<b>4W-3034</b>	1	CLAMP-HOSE						



GRAPHIC #1

<END>

g00901977

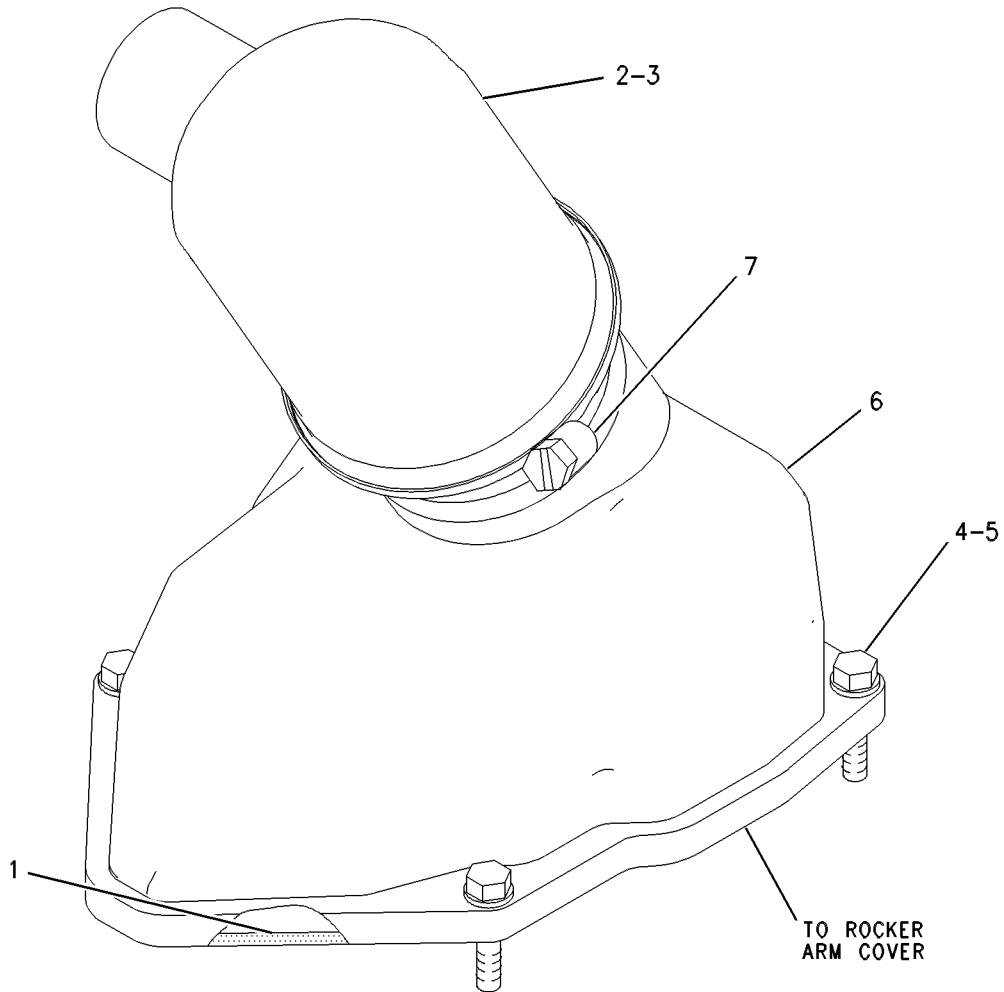
# LUBRICATION SYSTEM

## 155-2585 BREATHER GP-CRANKCASE CHROME PLATED FOR USE WITH EUI ENGINE AN ATTACHMENT

SMCS-1317

i03533541

NOTE	REF NO	GRAPHIC REF	PART NUMBER	QTY	PART NAME						SEE PAGE
					1	2	3	4	5	6	
	1	1	<b>272-0760</b>	1	SEAL - VALVE COVER (BREATHER)						
	2	1	<b>126-0577</b>	1	BREATHER AS (CHROME) (CRANKCASE)						
	3	1	<b>033-6031</b>	1	SEAL - O-RING						
	4	1	<b>133-6270</b>	4	BOLT (5/16-18X1.5-IN)						
	5	1	<b>133-6265</b>	4	WASHER (8.8X16X2-MM THK)						
	6	1	<b>155-2572</b>	1	COVER AS						
	7	1	<b>4W-3034</b>	1	CLAMP - HOSE						



GRAPHIC #1

<END>

g00536789

# LUBRICATION SYSTEM

## 247-4696 BREATHER GP-CRANKCASE

S/N: 50Y647-1304

PART OF 357-0858 ENGINE AR-COMPLETE

SMCS-1317

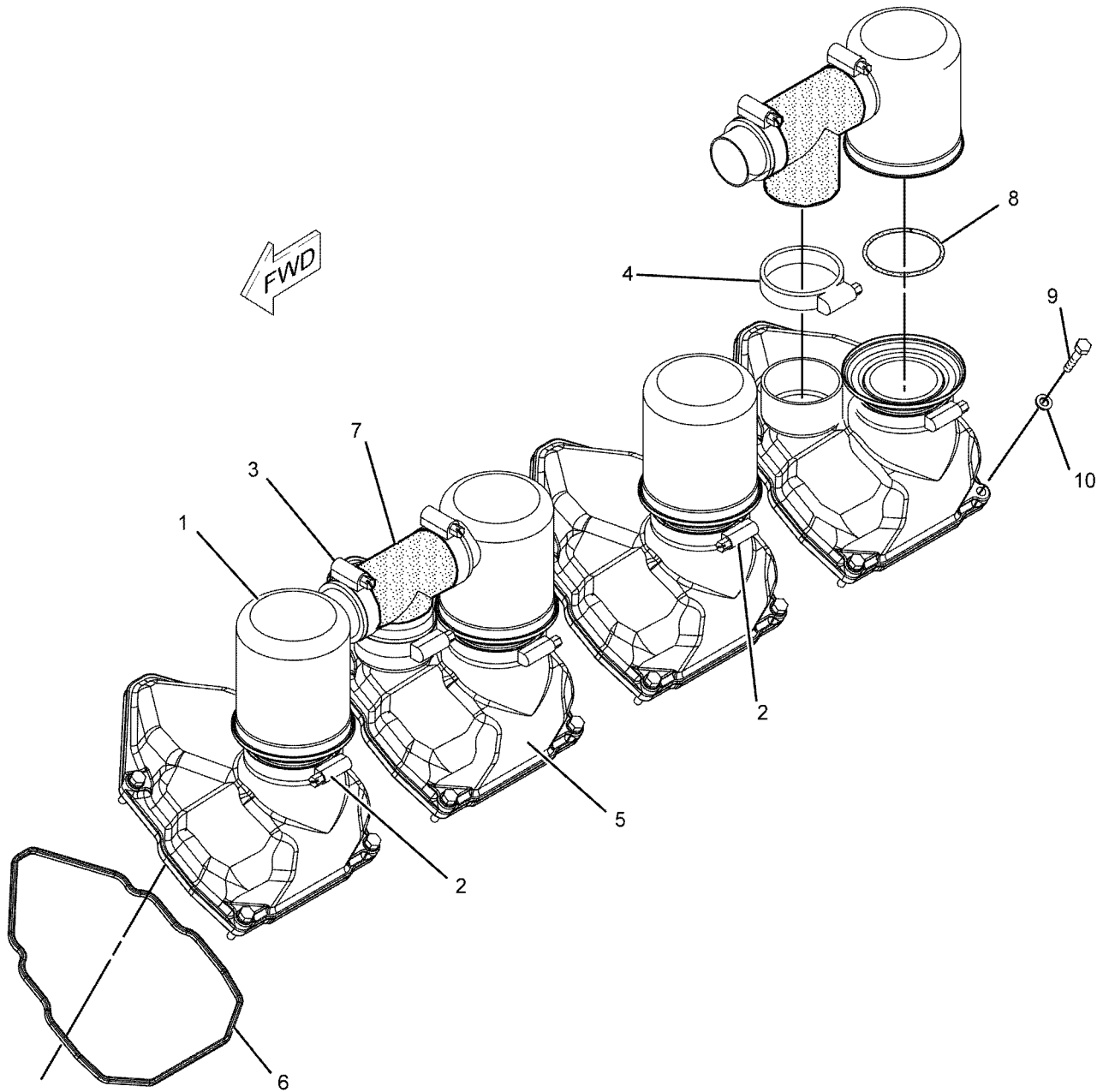
i05879564

NOTE	REF NO	GRAPHIC REF	PART NUMBER	QTY	PART NAME						SEE PAGE
					1	2	3	4	5	6	
	1	1	<b>4W-3027</b>	4	BREATHER AS (CRANKCASE)						
	2	1	<b>4W-3034</b>	4	CLAMP-HOSE						
	3	1	<b>5P-0597</b>	4	CLAMP-HOSE						
	4	1	<b>5P-4868</b>	2	CLAMP-HOSE						
	5	1	<b>101-4199</b>	4	COVER AS						
	6	1	<b>272-0760</b>	4	SEAL-VALVE COVER (BREATHER)						
	7	1	<b>217-6692</b>	2	HOSE-TEE						
	8	1	<b>033-6031</b>	4	SEAL-O-RING						
	9	1	<b>1A-9579</b>	16	BOLT (5/16-18X1.5-IN)						
	10	1	<b>9M-1974</b>	16	WASHER-HARD (8.8X16X2-MM THK)						

# LUBRICATION SYSTEM

247-4696 BREATHER GP (contd.)

i05879564



GRAPHIC #1

<END>

g01075904

# LUBRICATION SYSTEM

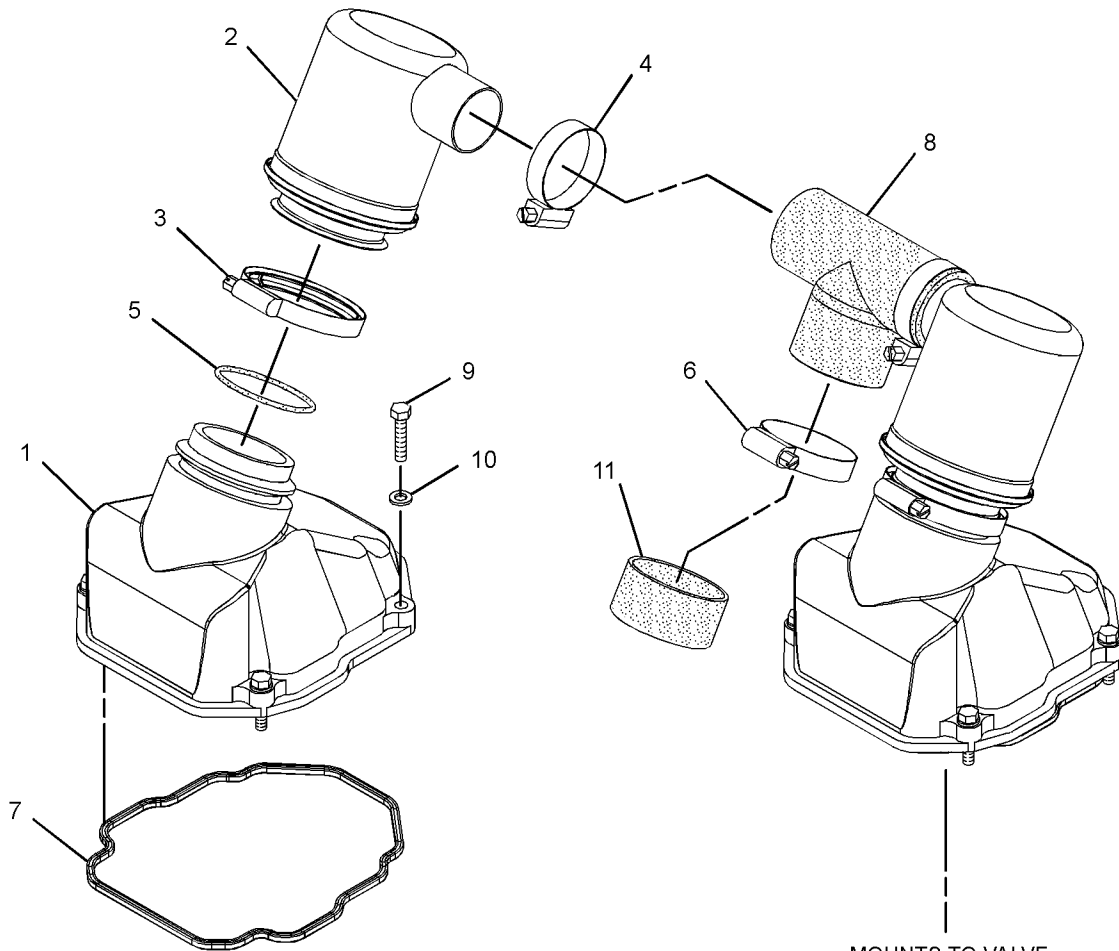
## 4W-1449 BREATHER GP-CRANKCASE

SMCS-1317

i05879554

NOTE	REF NO	GRAPHIC REF	PART NUMBER	QTY	PART NAME						SEE PAGE
					1	2	3	4	5	6	
	1	1	<b>4W-1450</b>	2	COVER AS						
	2	1	<b>4W-3027</b>	2	BREATHER AS (CRANKCASE)						
	3	1	<b>4W-3034</b>	2	CLAMP-HOSE						
	4	1	<b>5P-0597</b>	2	CLAMP-HOSE						
	5	1	<b>033-6031</b>	2	SEAL-O-RING						
	6	1	<b>5P-4868</b>	1	CLAMP-HOSE						
	7	1	<b>272-0757</b>	2	SEAL-VALVE COVER (BREATHER)						
	8	1	<b>217-6692</b>	1	HOSE-TEE						
	9	1	<b>1A-9579</b>	8	BOLT (5/16-18X1.5-IN)						
	10	1	<b>9M-1974</b>	8	WASHER-HARD (8.8X16X2-MM THK)						
B	11	1	<b>7N-7820</b>	1	BOOT						

B - USE AS REQUIRED



MOUNTS TO VALVE MECHANISM

GRAPHIC #1

<END>

g02120669



# LUBRICATION SYSTEM

## 7N-6738 CONNECTION GP-OIL

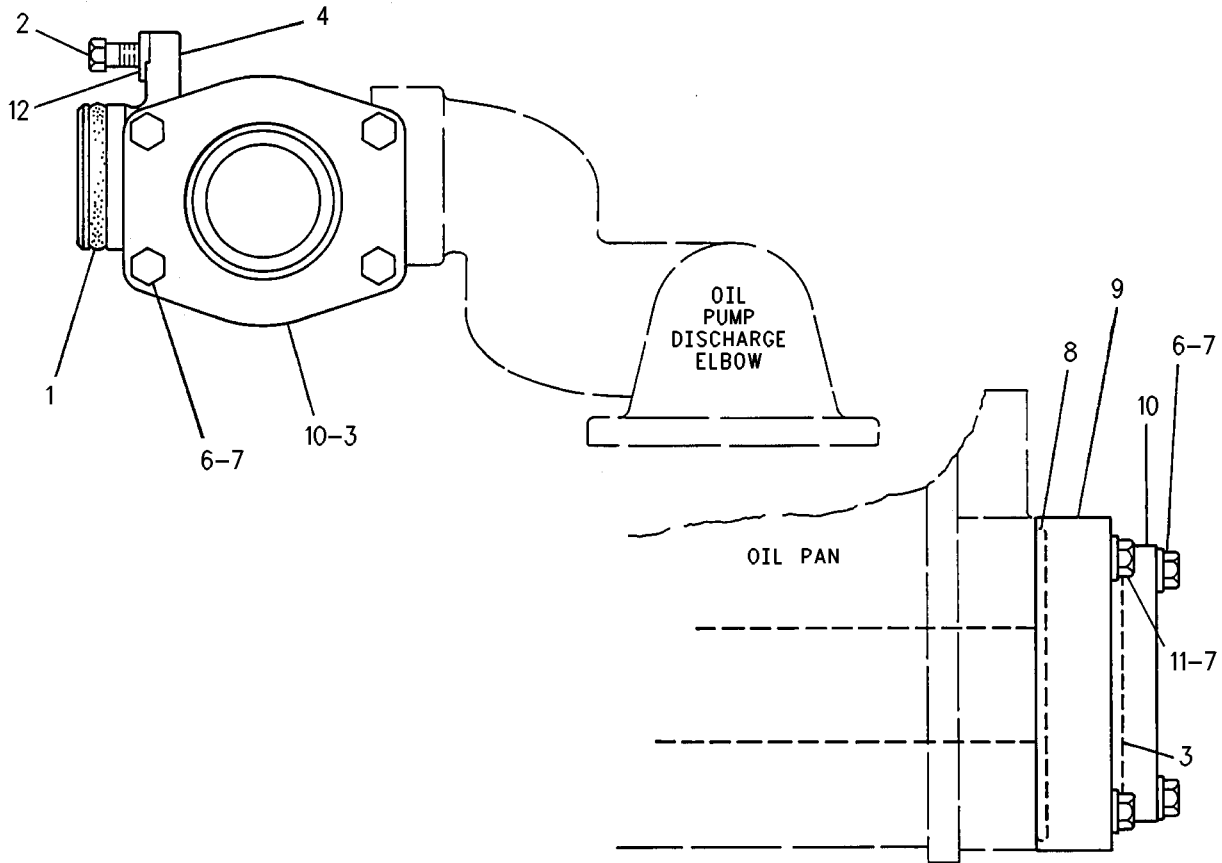
S/N: 50Y647-726; 66Z190-246

AN ATTACHMENT

SMCS-1307

i01426829

NOTE	REF NO	GRAPHIC REF	PART NUMBER	QTY	PART NAME						SEE PAGE
					1	2	3	4	5	6 (PRODUCT LEVEL)	
	1	1	<b>3P-0649</b>	2	SEAL-O-RING						
	2	1	<b>0S-1591</b>	1	BOLT (3/8-16X1.5-IN)						
	3	1	<b>6V-0973</b>	2	SEAL-O-RING						
	4	1	<b>7N-5796</b>	1	ELBOW-CONNECTOR						
	6	1	<b>3B-1915</b>	8	BOLT (3/8-16X1.375-IN)						
	7	1	<b>5M-2894</b>	12	WASHER-HARD (10.2X18.5X2.5-MM THK)						
	8	1	<b>6V-4314</b>	1	SEAL-O-RING						
	9	1	<b>7N-5792</b>	1	TUBE AS						
	10	1	<b>7N-5798</b>	2	FLANGE						
	11	1	<b>0S-1590</b>	4	BOLT (3/8-16X2-IN)						
	12	1	<b>7G-1239</b>	1	SPACER (10.5X19X4.5-MM THK)						



GRAPHIC #1

<END>

g00747588

# LUBRICATION SYSTEM

## 9Y-4888 CONNECTION GP-OIL

S/N: 50Y727-1304; 66Z247-578

FOR USE WITH 7C-6752-PAGE: 345, 7C-9938-PAGE: 347

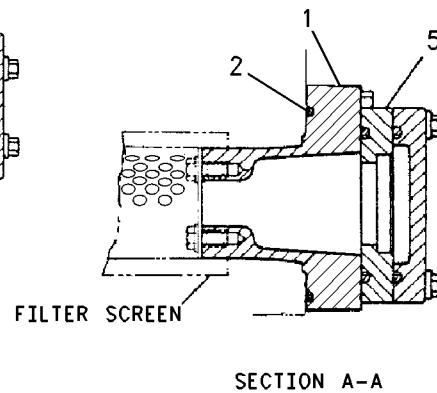
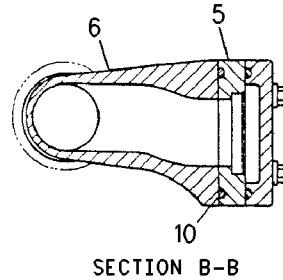
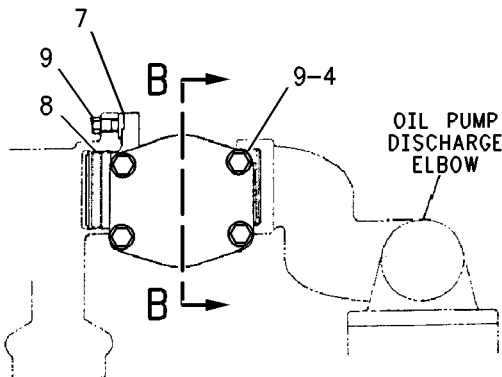
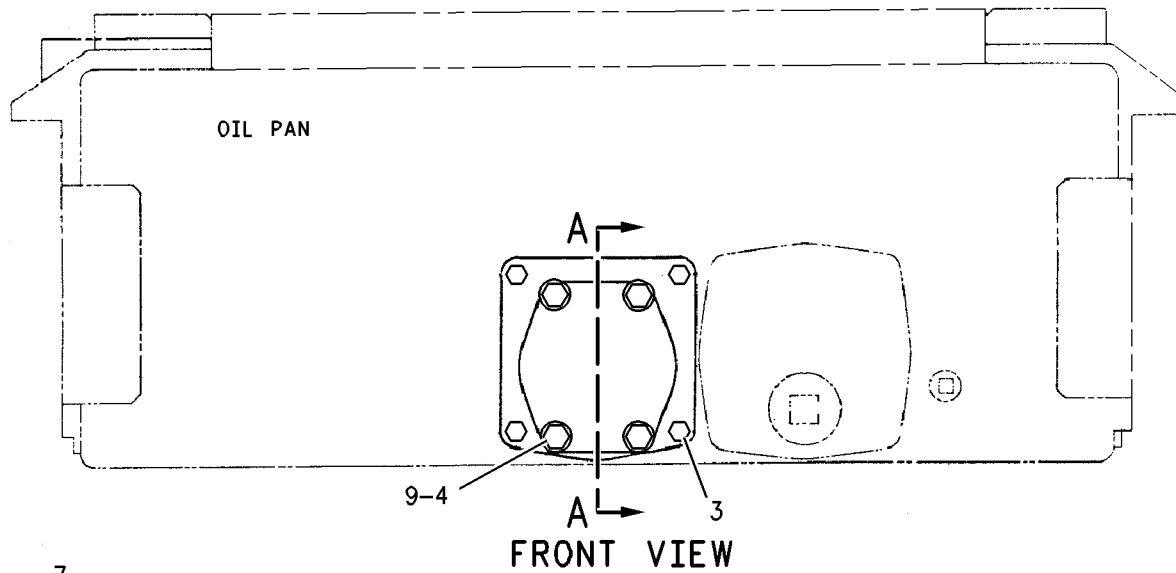
AN ATTACHMENT

TYPE 1

SMCS-1307

i01925187

NOTE	REF NO	GRAPHIC REF	PART NUMBER	QTY	PART NAME						SEE PAGE
					1	2	3	4	5	6	
	1	1	7C-4714	1	ADAPTER						
	2	1	5P-8872	1	SEAL-O-RING						
	3	1	0S-1571	4	BOLT (3/8-16X1.75-IN)						
	4	1	5M-2894	8	WASHER-HARD (10.2X18.5X2.5-MM THK)						
	5	1	7N-5798	2	FLANGE						
	6	1	7N-5796	1	ELBOW-CONNECTOR						
	7	1	7G-1239	1	SPACER (10.5X19X4.5-MM THK)						
	8	1	3P-0649	2	SEAL-O-RING						
	9	1	0S-1591	9	BOLT (3/8-16X1.5-IN)						
	10	1	6V-0973	2	SEAL-O-RING						



GRAPHIC #1

<END>

g00705481

# LUBRICATION SYSTEM

## 9Y-4888 CONNECTION GP-OIL

S/N: 50Y727-1304; 66Z247-578

FOR USE WITH 7C-6752-PAGE: 345, 7C-9938-PAGE: 347

AN ATTACHMENT

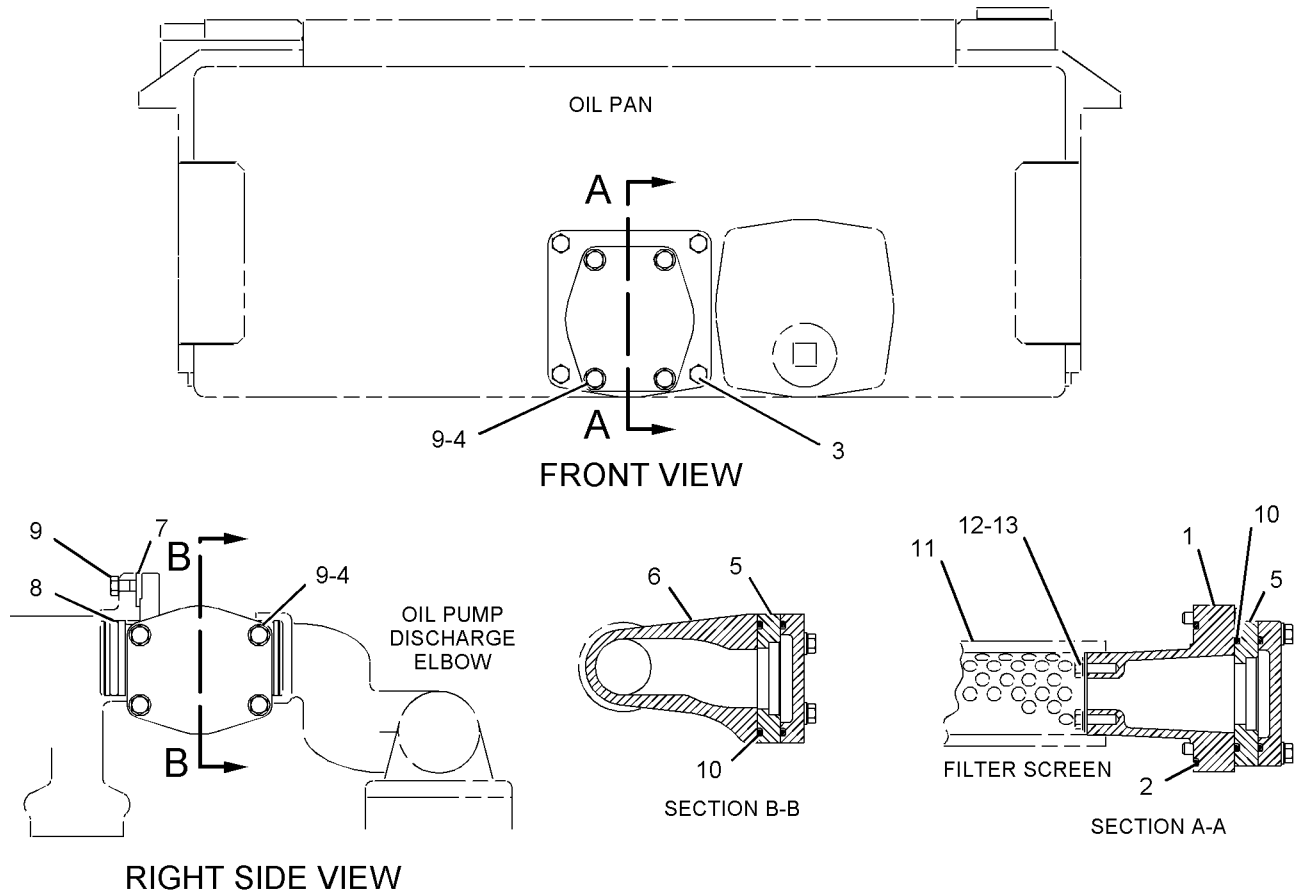
TYPE 2

SMCS-1307

i07107433

NOTE	REF NO	GRAPHIC REF	PART NUMBER	QTY	PART NAME						SEE PAGE
					1	2	3	4	5	6 (PRODUCT LEVEL)	
C	1	1	<b>149-9297</b>	1	ADAPTER						
	2	1	<b>5P-8872</b>	1	SEAL-O-RING						
	3	1	<b>0S-1571</b>	4	BOLT (3/8-16X1.75-IN)						
	4	1	<b>5M-2894</b>	8	WASHER-HARD (10.2X18.5X2.5-MM THK)						
	5	1	<b>7N-5798</b>	2	FLANGE						
	6	1	<b>7N-5796</b>	1	ELBOW-CONNECTOR						
	7	1	<b>7G-1239</b>	1	SPACER (10.5X19X4.5-MM THK)						
	8	1	<b>109-2332</b>	2	SEAL-O-RING						
	9	1	<b>0S-1591</b>	9	BOLT (3/8-16X1.5-IN)						
	10	1	<b>6V-0973</b>	2	SEAL-O-RING						
	11	1	<b>7C-4716</b>	1	SCREEN AS-SUCTION (ENGINE OIL PAN)						
	12	1	<b>0S-1614</b>	2	BOLT (1/4-20X0.5-IN)						
	13	1	<b>5P-0537</b>	2	WASHER-HARD (7.2X14.5X2-MM THK)						

C - CHANGE FROM PREVIOUS TYPE



GRAPHIC #1

<END>

g01102961

# LUBRICATION SYSTEM

## 112-6033 FILLER GP-ENGINE OIL

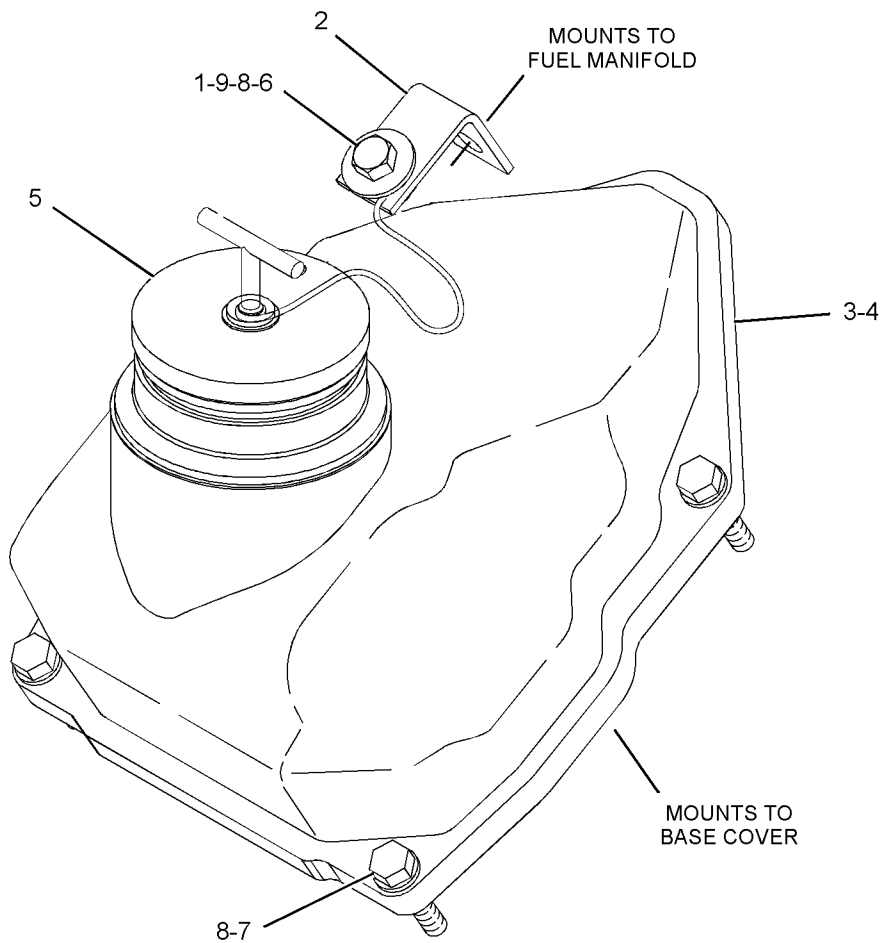
S/N: 50Y647-1304

PART OF 357-0858 ENGINE AR-COMplete

SMCS-1316

i03513212

NOTE	REF NO	GRAPHIC REF	PART NUMBER	QTY	PART NAME						SEE PAGE
					1	2	3	4	5	6	
	1	1	<b>2B-2695</b>	1	BOLT (5/16-18X0.875-IN)						
	2	1	<b>4P-9226</b>	1	BRACKET						
	3	1	<b>101-4199</b>	1	COVER AS						
	4	1	<b>272-0760</b>	1	SEAL-VALVE COVER (OIL FILLER)						
	5	1	<b>262-6104</b>	1	CAP AS-ENGINE OIL FILLER						
	6	1	<b>031-4155</b>	1	LOCKNUT (5/16-18-THD)						
	7	1	<b>1A-9579</b>	4	BOLT (5/16-18X1.5-IN)						
	8	1	<b>9M-1974</b>	5	WASHER-HARD (8.8X16X2-MM THK)						
	9	1	<b>9N-0869</b>	1	WASHER-HARD (8.8X25.5X2-MM THK)						



GRAPHIC #1

<END>

g01167696

# LUBRICATION SYSTEM

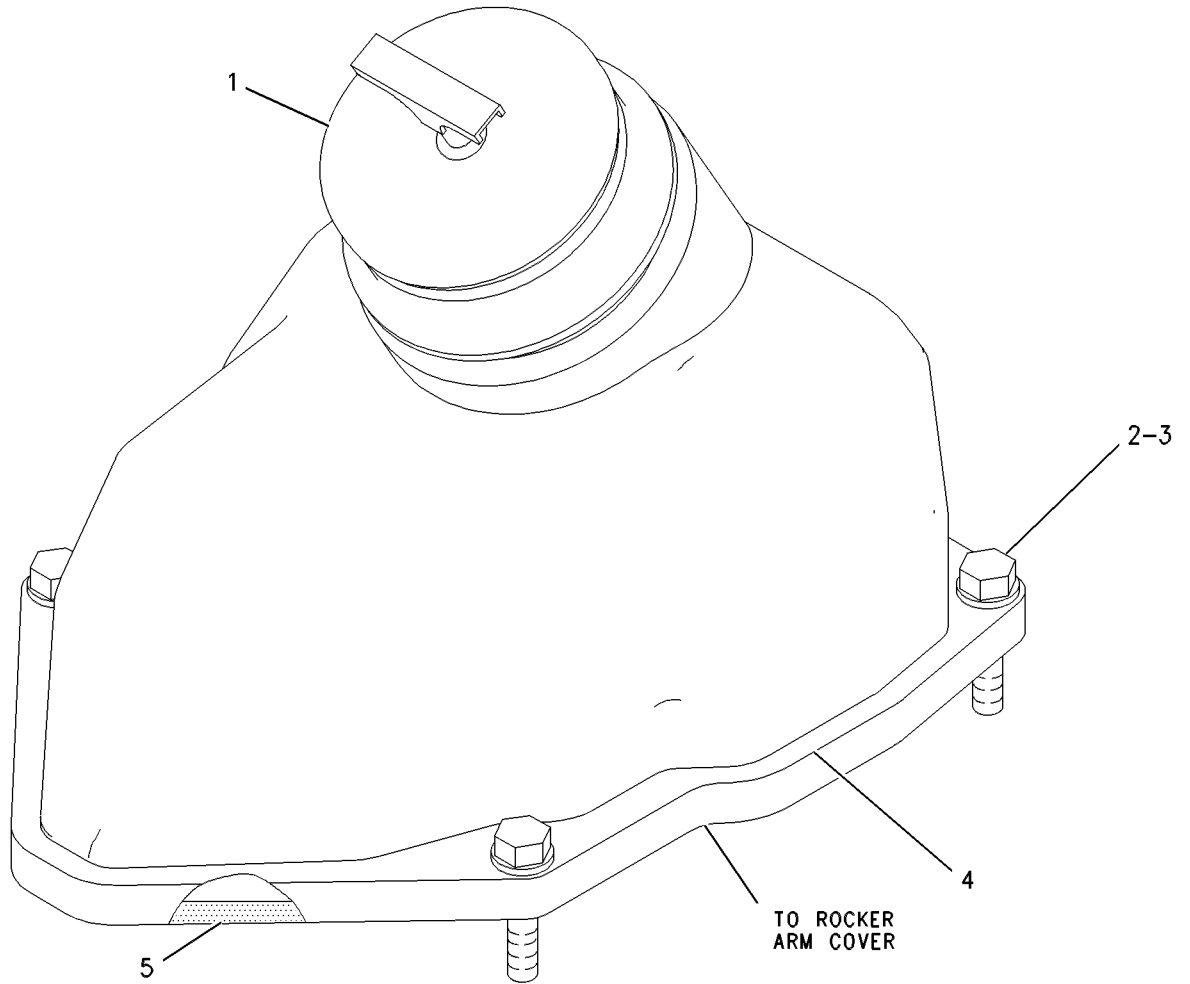
## 155-2594 FILLER GP-ENGINE OIL

**CHROME PLATED  
AN ATTACHMENT**

**SMCS-1316**

**i03513213**

NOTE	REF NO	GRAPHIC REF	PART NUMBER	QTY	PART NAME						SEE PAGE
					1	2	3	4	5	6 (PRODUCT LEVEL)	
	1	1	<b>128-5988</b>	1	CAP AS-ENGINE OIL FILLER						
	2	1	<b>133-6265</b>	4	WASHER (8.8X16X2-MM THK)						
	3	1	<b>133-6270</b>	4	BOLT (5/16-18X1.5-IN)						
	4	1	<b>155-2572</b>	1	COVER AS						
	5	1	<b>272-0760</b>	1	SEAL-VALVE COVER (OIL FILLER)						



GRAPHIC #1

<END>

g00596067

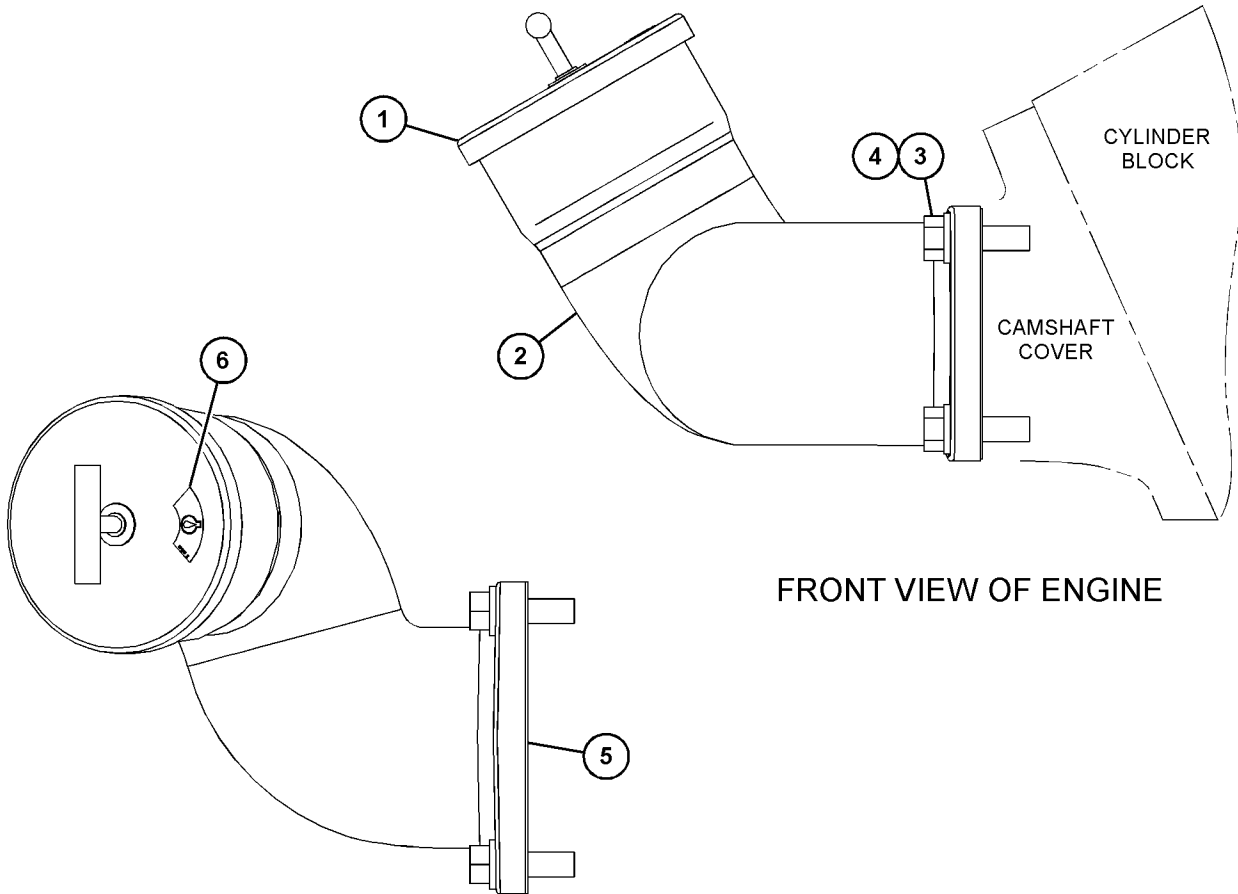
# LUBRICATION SYSTEM

## 7N-1875 FILLER GP-ENGINE OIL PART OF 376-4849 ENGINE AR-COMplete

SMCS-1316

i05884799

NOTE	REF NO	GRAPHIC REF	PART NUMBER	QTY	PART NAME						SEE PAGE
					1	2	3	4	5	6 (PRODUCT LEVEL)	
	1	1	<b>7L-4447</b>	1	CAP AS-ENGINE OIL FILLER						
	2	1	<b>7N-5336</b>	1	ELBOW-OIL FILLER						
	3	1	<b>0S-1588</b>	4	BOLT (3/8-16X1.25-IN)						
	4	1	<b>5M-2894</b>	4	WASHER-HARD (10.2X18.5X2.5-MM THK)						
	5	1	<b>2W-0752</b>	1	GASKET						
	6	1	<b>5P-1175</b>	1	FILM-IDENTIFICATION (ENGINE OIL FILL)						



FRONT VIEW OF ENGINE

TOP VIEW OF ENGINE

GRAPHIC #1

<END>

g03711892

# LUBRICATION SYSTEM

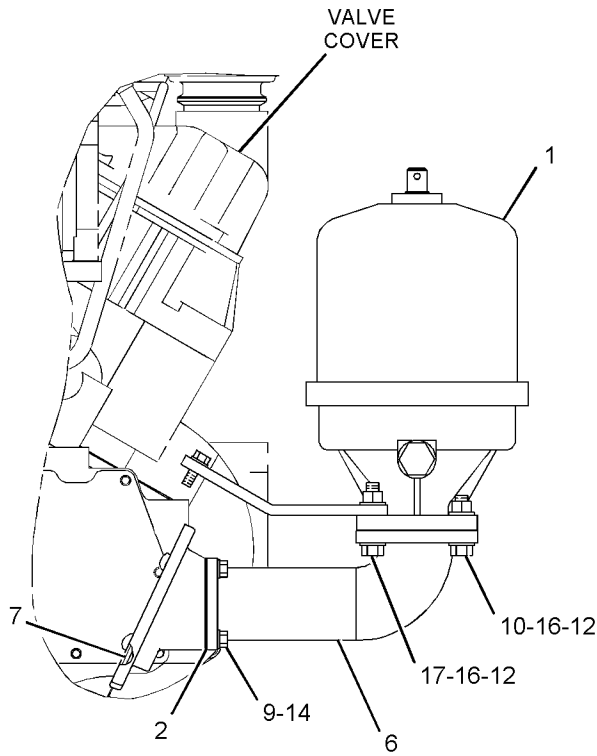
## 133-6461 FILTER GP-CENTRIFUGAL AN ATTACHMENT

SMCS-1328

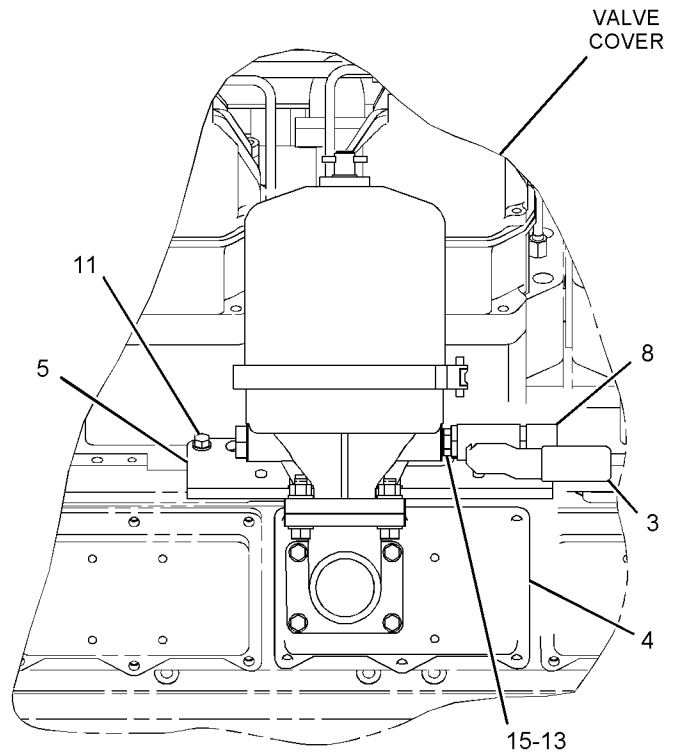
i02645543

NOTE	REF NO	GRAPHIC REF	PART NUMBER	QTY	PART NAME						SEE PAGE
					1	2	3	4	5	6 (PRODUCT LEVEL)	
Y	1	1	<b>1W-4191</b>	1	FILTER GP-CENTRIFUGAL						454
	2	1	<b>2W-0752</b>	1	GASKET						
	3	1	<b>4R-8658</b>	1	VALVE AS-MANUAL						
	4	1	<b>8N-9993</b>	1	COVER-CAMSHAFT						
	5	1	<b>118-5542</b>	1	SUPPORT						
	6	1	<b>123-6868</b>	1	ELBOW						
	7	1	<b>272-0758</b>	1	SEAL						
	8	1	<b>032-1269</b>	1	ELBOW						
	9	1	<b>0S-1588</b>	4	BOLT (3/8-16X1.25-IN)						
	10	1	<b>1A-1460</b>	2	BOLT (1/2-13X2-IN)						
	11	1	<b>1A-2029</b>	4	BOLT (3/8-16X1.125-IN)						
	12	1	<b>1F-7958</b>	4	NUT-FULL (1/2-13-THD)						
	13	1	<b>2M-9780</b>	1	SEAL-O-RING						
	14	1	<b>5M-2894</b>	8	WASHER-HARD (10.2X18.5X2.5-MM THK)						
	15	1	<b>5P-5877</b>	1	CONNECTOR						
	16	1	<b>5P-8245</b>	8	WASHER-HARD (13.5X25.5X3-MM THK)						
	17	1	<b>9S-1366</b>	2	BOLT (1/2-13X2.5-IN)						

Y - SEPARATE ILLUSTRATION



FRONT VIEW OF ENGINE



LEFT SIDE VIEW OF ENGINE

GRAPHIC #1

<END>

g01330095

# LUBRICATION SYSTEM

## 1W-4191 FILTER GP-CENTRIFUGAL

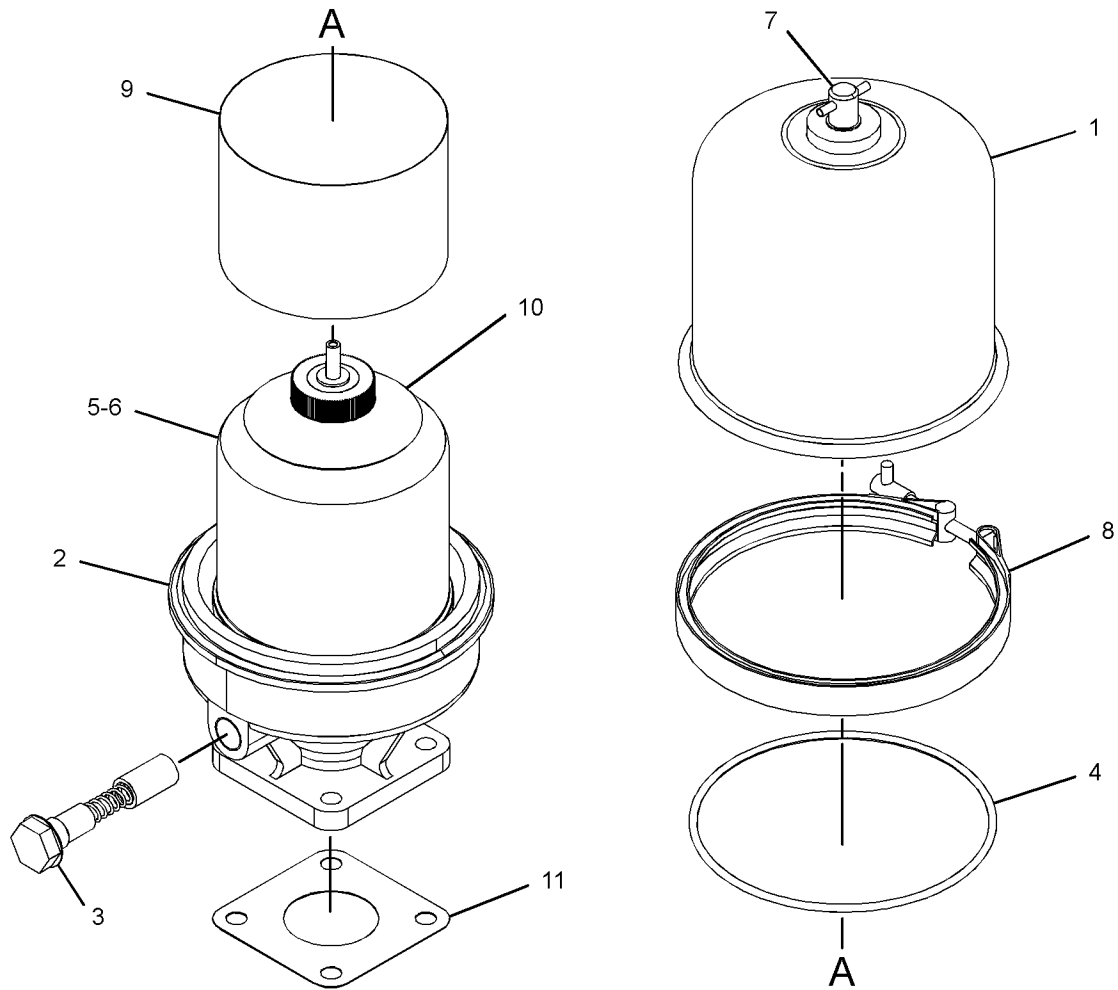
PART OF 133-6461 FILTER GP-CENTRIFUGAL

AN ATTACHMENT

SMCS-1328

i06226131

NOTE	REF NO	GRAPHIC REF	PART NUMBER	QTY	PART NAME						SEE PAGE
					1	2	3	4	5	6	
	1	1	<b>7C-4415</b>	1	COVER AS-FILTER						
	2	1	<b>7C-4416</b>	1	BODY-FILTER						
	3	1	<b>7C-4417</b>	1	KIT-VALVE CUTOFF (OIL FILTER)						
					(INCLUDES SHUTTLE, PLUG, SPRING & WASHER)						
	4	1	<b>6V-3349</b>	1	SEAL-O-RING						
	5	1	<b>7C-4420</b>	1	ROTOR AS						
	6	1	<b>7C-4421</b>	1	SEAL-O-RING						
	7	1	<b>7C-4422</b>	1	KIT-COVER-FILTER (OIL FILTER)						
					(INCLUDES COVER, PIN, SEAL & CLIP)						
	8	1	<b>7C-4423</b>	1	CLAMP						
	9	1	<b>7C-8390</b>	1	LINER-ROTOR (CENTRIFUGAL FILTER)						
	10	1	<b>168-6357</b>	1	PLATE-STIFFENER						
	11	1	<b>7C-5485</b>	1	GASKET-FLANGE (CENTRIFUGAL FILTER)						



GRAPHIC #1

<END>

g03384627



# LUBRICATION SYSTEM

## 112-4921 FILTER GP-ENGINE OIL-RH

S/N: 50Y647-1304

PART OF 357-0858, 376-4849 ENGINE AR-COMPLETE

SMCS-1306, 1308

i07073548

NOTE	REF NO	GRAPHIC REF	PART NUMBER	QTY	PART NAME						SEE PAGE
					1	2	3	4	5	6 (PRODUCT LEVEL)	
	1	1	<b>8N-9482</b>	1	SUPPORT-OIL FILTER						
	2	1	<b>5P-4624</b>	2	BOLT (3/4-10X11.5-IN)						
	3	1	<b>4S-5882</b>	2	BOLT (1/2-13X7.25-IN)						
C	4	1	<b>278-1082</b>	1	HOUSING AS-FILTER (ENGINE OIL)						
		1	<b>4V-7412</b>	1	BOSS (3/8-16-THD)						
	5	1	<b>0S-1588</b>	8	BOLT (3/8-16X1.25-IN)						
	6	1	<b>2S-5100</b>	1	VALVE-MANUAL						
C	7	1	<b>4W-5592</b>	1	COVER						
C	8	1	<b>339-5148</b>	1	COVER						
C	9	1	<b>4W-6387</b>	1	HOUSING AS (BYPASS)						
		1	<b>7N-2043</b>	3	DOWEL						
	10	1	<b>133-9313</b>	1	PLATE						
	11	1	<b>0L-1351</b>	3	BOLT (3/8-16X0.875-IN)						
	12	1	<b>5M-2894</b>	15	WASHER-HARD (10.2X18.5X2.5-MM THK)						
C	13	1	<b>2W-1969</b>	1	VALVE-BYPASS (OIL COOLER)						
C	14	1	<b>155-1690</b>	1	ADAPTER AS						
		1	<b>154-1581</b>	1	RING-RETAINING						
	15	1	<b>2W-1635</b>	1	SPRING						
	16	1	<b>1R-0726</b>	3	FILTER ELEMENT AS-ENGINE OIL (STANDARD EFFICIENCY)						
C	17	1	<b>5P-4892</b>	4	SEAL-O-RING						
	18	1	<b>165-3931</b>	2	BOLT (3/8-16X1.75-IN)						
	19	1	<b>9S-8752</b>	2	NUT-FULL (3/8-16-THD)						
	20	1	<b>6V-3907</b>	4	SEAL-O-RING						
C	21	1	<b>157-0443</b>	1	COVER AS						
	22	1	<b>7F-0192</b>	3	BOLT (3/8-16X2-IN)						
	24	1	<b>5D-5957</b>	1	SEAL-O-RING						
	25	1	<b>8T-6762</b>	1	PLUG-PIPE (1/2-14-THD)						
	26	1	<b>4W-6960</b>	1	SUPPORT-HOUSING						
C	27	1	<b>6V-5048</b>	6	SEAL-O-RING						
C	28	1	<b>9S-4182</b>	6	PLUG (7/16-20-THD)						
C	29	1	<b>1M-0644</b>	3	BOLT (3/8-16X2.25-IN)						
C	30	1	<b>0S-1619</b>	2	BOLT (3/8-16X3-IN)						
C	31	1	<b>6V-8001</b>	1	SEAL-O-RING						
C	32	1	<b>111-8639</b>	1	COVER-BYPASS VALVE						
	33	1	<b>0T-0573</b>	2	BOLT (3/8-16X2.75-IN)						
B	34	1	<b>0T-0573</b>	1	BOLT (3/8-16X2.75-IN)						
B	35	1	<b>1D-4574</b>	2	BOLT (1/2-13X6-IN)						
B	36	1	<b>5M-2894</b>	2	WASHER-HARD (10.2X18.5X2.5-MM THK)						
B	37	1	<b>5P-5421</b>	4	BOLT (1/2-13X11.5-IN)						
B	38	1	<b>9S-8752</b>	1	NUT-FULL (3/8-16-THD)						
	39	1	<b>165-3931</b>	3	BOLT (3/8-16X1.75-IN)						
	40	1	<b>0L-1143</b>	1	BOLT (3/8-16X2.5-IN)						

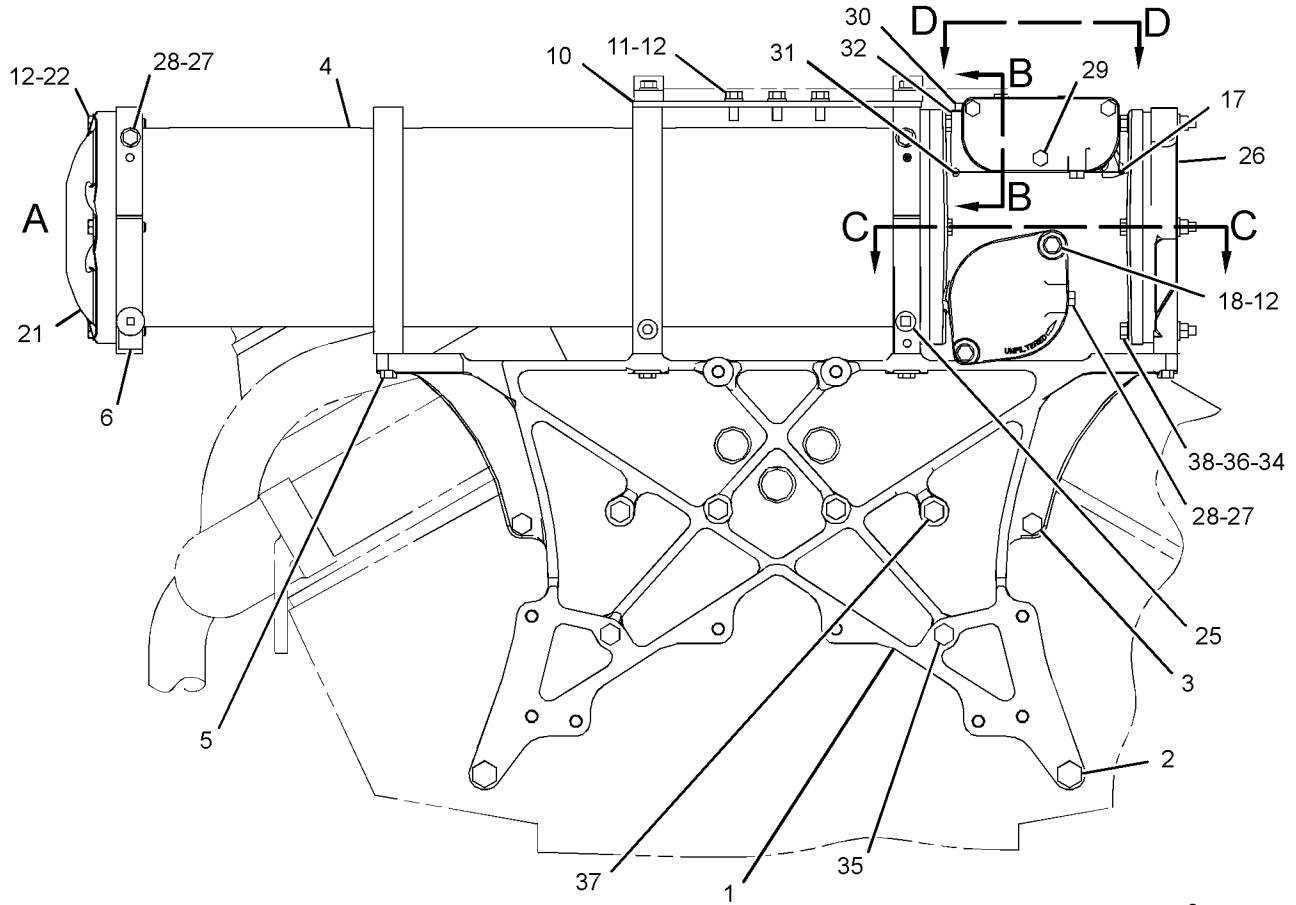
B - USE AS REQUIRED

C - CHANGE FROM PREVIOUS TYPE

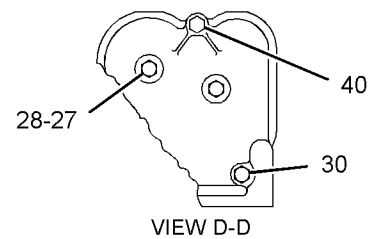
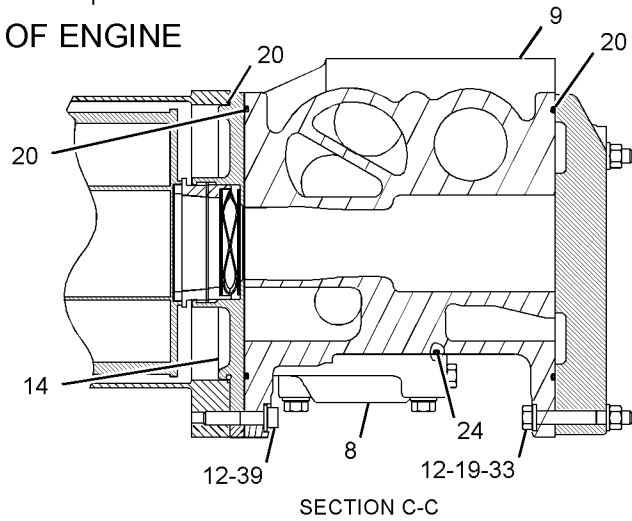
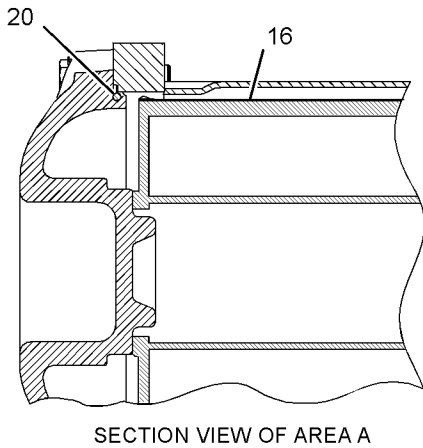
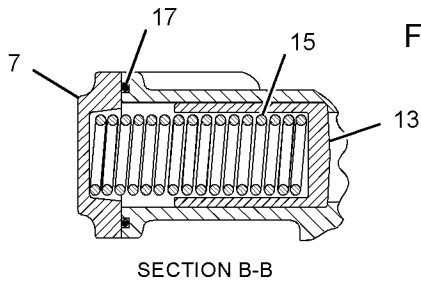
# LUBRICATION SYSTEM

112-4921 FILTER GP-ENGINE OIL (contd.)

i07073548



FRONT VIEW OF ENGINE



GRAPHIC #1

<END>

g06215900

# LUBRICATION SYSTEM

## 115-7841 FILTER GP-ENGINE OIL-LH

AN ATTACHMENT

SMCS-1306, 1308

i02763928

NOTE	REF NO	GRAPHIC REF	PART NUMBER	QTY	PART NAME						SEE PAGE
					1	2	3	4	5	6 (PRODUCT LEVEL)	
	1	1	<b>8N-9482</b>	1	SUPPORT-OIL FILTER						
	2	1	<b>5P-4624</b>	2	BOLT (3/4-10X11.5-IN)						
B	3	1	<b>1D-4574</b>	2	BOLT (1/2-13X6-IN)						
	4	1	<b>4S-5882</b>	2	BOLT (1/2-13X7.25-IN)						
	5	1	<b>0S-1588</b>	8	BOLT (3/8-16X1.25-IN)						
	6	1	<b>4W-6491</b>	1	SUPPORT-HOUSING						
	7	1	<b>6V-3907</b>	4	SEAL-O-RING						
	8	1	<b>6V-8002</b>	2	SEAL-O-RING						
	9	1	<b>5P-4892</b>	3	SEAL-O-RING						
	10	1	<b>111-3820</b>	2	RING-RETAINING						
	11	1	<b>5M-2894</b>	32	WASHER-HARD (10.2X18.5X2.5-MM THK)						
	12	1	<b>109-2332</b>	4	SEAL-O-RING						
B	13	1	<b>5P-5421</b>	4	BOLT (1/2-13X11.5-IN)						
	14	1	<b>4P-2839</b>	3	FILTER ELEMENT AS-OIL (ENGINE)						
					(EACH INCLUDES)						
		1	<b>4W-3251</b>	2	SEAL (OIL FILTER)						
	15	1	<b>4W-8467</b>	1	TUBE						
	16	1	<b>4W-7192</b>	1	TUBE						
	17	1	<b>5D-5957</b>	1	SEAL-O-RING						
	18	1	<b>121-5489</b>	1	COVER						
	19	1	<b>0L-1351</b>	3	BOLT (3/8-16X0.875-IN)						
	20	1	<b>1W-2963</b>	1	HOUSING AS-FILTER						
	21	1	<b>1N-2895</b>	1	SPRING						
	22	1	<b>121-5487</b>	1	ADAPTER						
	23	1	<b>124-5505</b>	1	HOUSING AS						
		1	<b>7N-2043</b>	3	DOWEL						
	24	1	<b>100-8075</b>	4	CLAMP AS						
	25	1	<b>0T-0573</b>	2	BOLT (3/8-16X2.75-IN)						
	26	1	<b>2W-9299</b>	1	COVER-FILTER HOUSING						
	27	1	<b>136-9636</b>	1	COVER						
	28	1	<b>2W-1635</b>	1	SPRING						
	29	1	<b>124-4273</b>	1	VALVE-BYPASS						
	30	1	<b>0S-1571</b>	9	BOLT (3/8-16X1.75-IN)						
	31	1	<b>0L-1143</b>	3	BOLT (3/8-16X2.5-IN)						
	32	1	<b>0S-1594</b>	7	BOLT (3/8-16X1-IN)						
	33	1	<b>2S-5100</b>	1	VALVE-MANUAL						
	34	1	<b>8N-1992</b>	2	RETAINER						
	35	1	<b>8N-1991</b>	1	RING-RETAINING						
	36	1	<b>6V-0267</b>	1	CLIP (TAB)						
	37	1	<b>6V-0268</b>	1	CLIP (SLOT)						
	38	1	<b>3H-7131</b>	1	LUG						
	39	1	<b>3B-1915</b>	1	BOLT (3/8-16X1.375-IN)						
	40	1	<b>133-9313</b>	1	PLATE						
	41	1	<b>8T-6762</b>	1	PLUG-PIPE (1/2-14-THD)						
	42	1	<b>125-2785</b>	1	ADAPTER						
	43	1	<b>6V-5048</b>	4	SEAL-O-RING						
	44	1	<b>9S-4182</b>	4	PLUG (7/16-20-THD)						
	45	1	<b>9S-8752</b>	7	NUT-FULL (3/8-16-THD)						

# LUBRICATION SYSTEM

**115-7841 FILTER GP-ENGINE OIL (contd.)**

**i02763928**

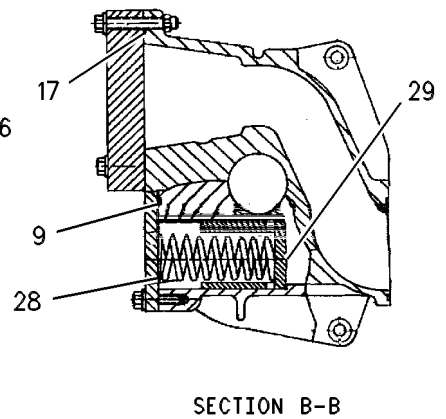
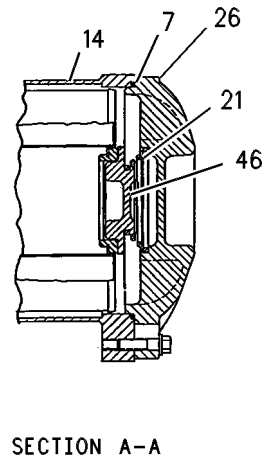
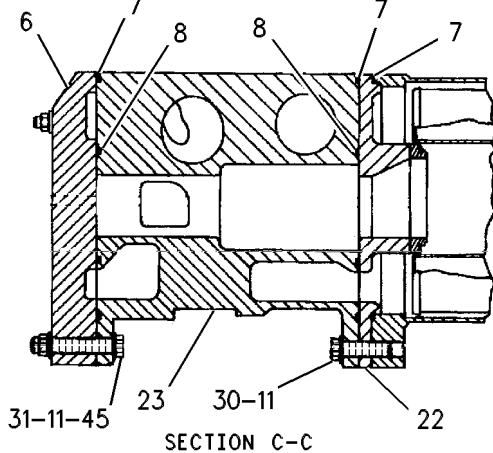
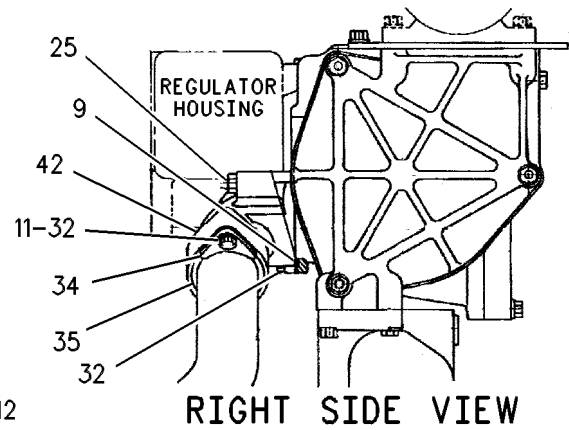
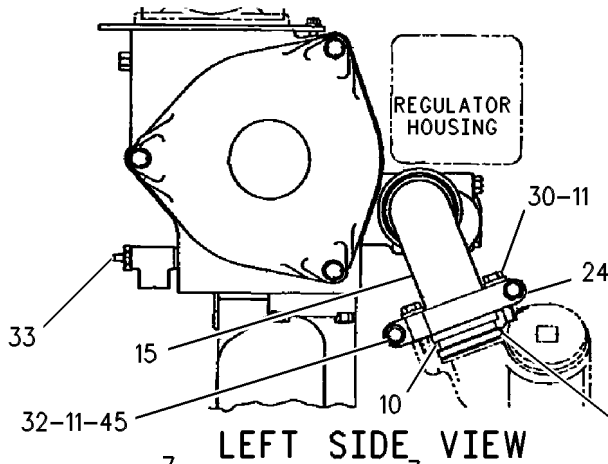
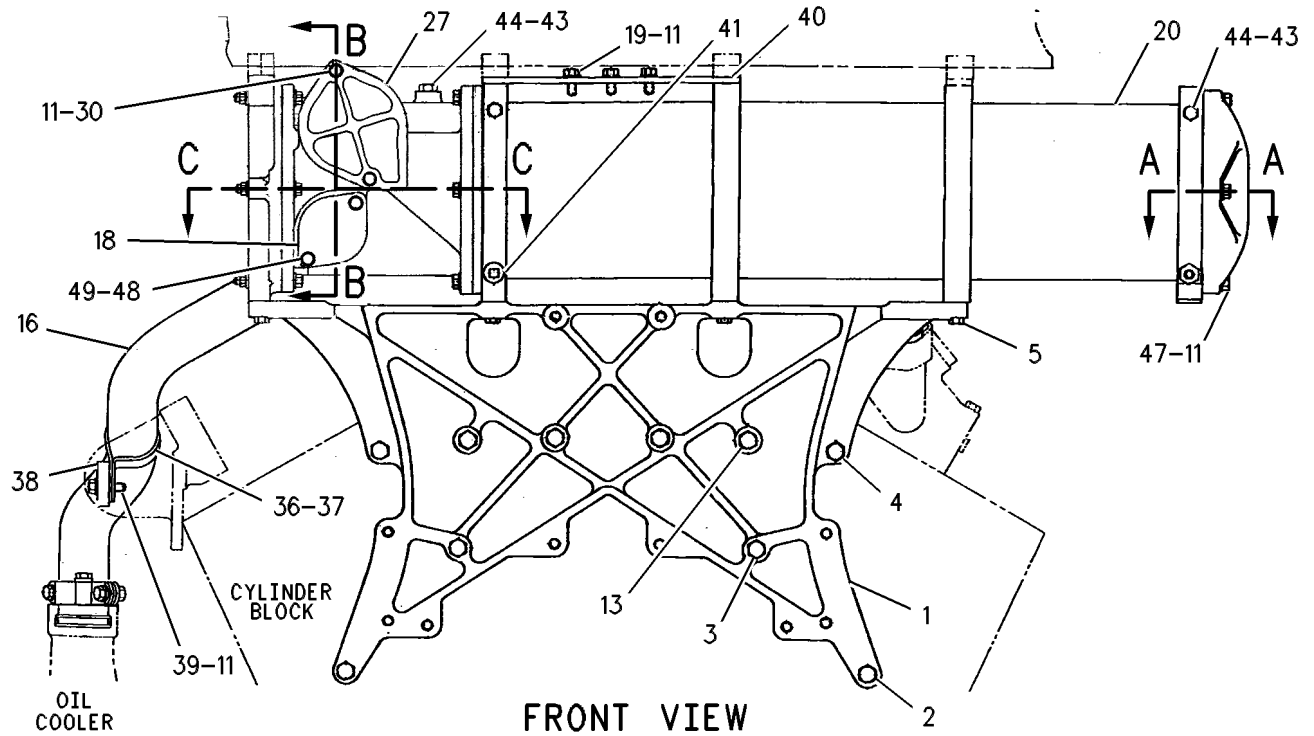
NOTE	REF NO	GRAPHIC REF	PART NUMBER	QTY	PART NAME						SEE PAGE
					1	2	3	4	5	6 (PRODUCT LEVEL)	
	46	1	<b>113-4634</b>	1	RETAINER-FILTER						
	47	1	<b>7F-0192</b>	3	BOLT (3/8-16X2-IN)						
	48	1	<b>1M-0644</b>	2	BOLT (3/8-16X2.25-IN)						
	49	1	<b>8M-9024</b>	2	WASHER-HARD (10.2X22.5X5-MM THK)						

B - USE AS REQUIRED

# LUBRICATION SYSTEM

115-7841 FILTER GP-ENGINE OIL (contd.)

102763928



GRAPHIC #1

<END>

g00265723

# LUBRICATION SYSTEM

## 4W-6874 FILTER GP-ENGINE OIL-RH

SMCS-1306, 1308

i02758323

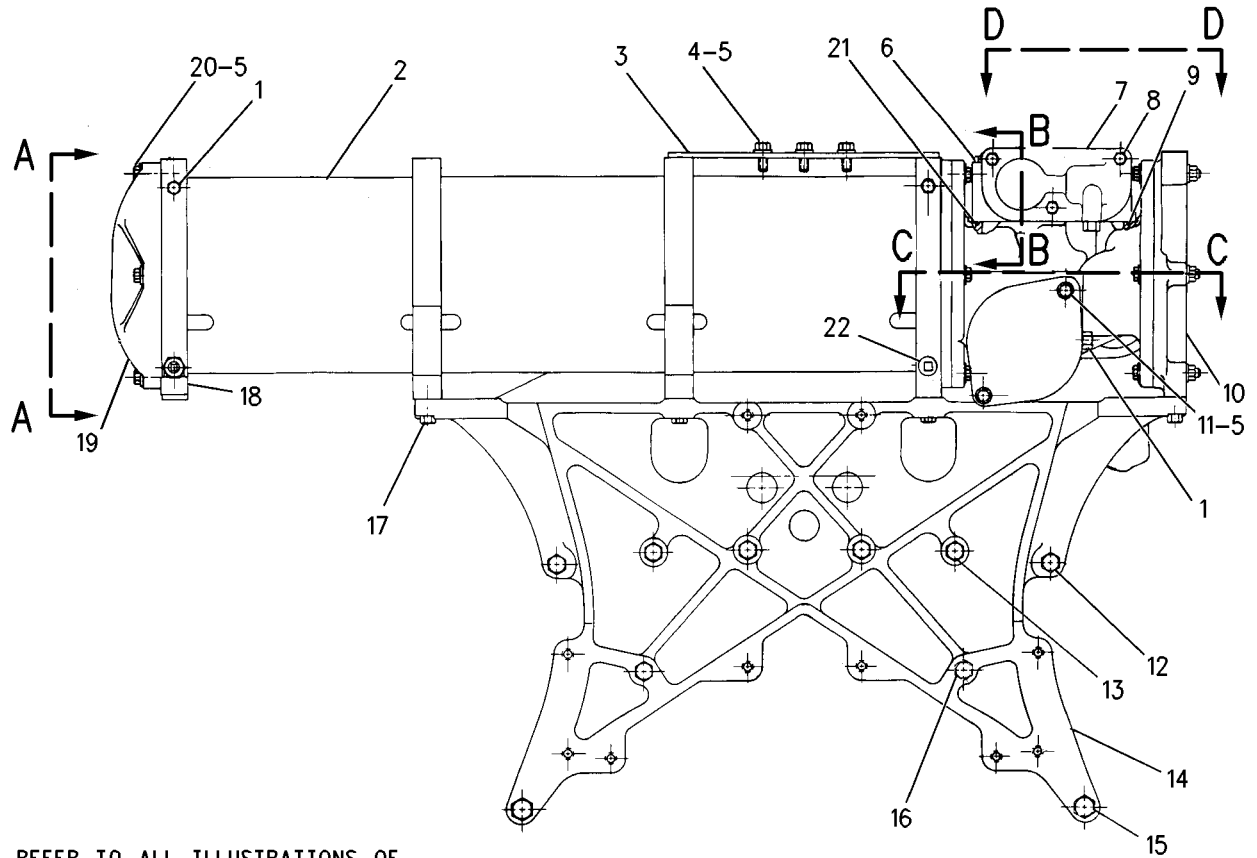
NOTE	REF NO	GRAPHIC REF	PART NUMBER	QTY	PART NAME						SEE PAGE
					1	2	3	4	5	6 (PRODUCT LEVEL)	
	1	1	<b>9S-4182</b>	4	PLUG (7/16-20-THD)						
		1	<b>6V-5048</b>	4	SEAL-O-RING						
	2	1	<b>1W-2963</b>	1	HOUSING AS-FILTER						
	3	1	<b>133-9313</b>	1	PLATE						
	4	1	<b>0L-1351</b>	3	BOLT (3/8-16X0.875-IN)						
	5	1	<b>5M-2894</b>	8	WASHER-HARD (10.2X18.5X2.5-MM THK)						
	6	1	<b>0S-1619</b>	1	BOLT (3/8-16X3-IN)						
	7	1	<b>4W-8468</b>	1	COVER-VALVE						
	8	1	<b>1M-0644</b>	3	BOLT (3/8-16X2.25-IN)						
	9	1	<b>5P-4892</b>	2	SEAL-O-RING						
	10	1	<b>4W-6960</b>	1	SUPPORT-HOUSING						
	11	1	<b>0S-1571</b>	2	BOLT (3/8-16X1.75-IN)						
	12	1	<b>4S-5882</b>	2	BOLT (1/2-13X7.25-IN)						
B	13	1	<b>5P-5421</b>	4	BOLT (1/2-13X11.5-IN)						
	14	1	<b>8N-9482</b>	1	SUPPORT-OIL FILTER						
	15	1	<b>5P-4624</b>	2	BOLT (3/4-10X11.5-IN)						
B	16	1	<b>1D-4574</b>	2	BOLT (1/2-13X6-IN)						
	17	1	<b>0S-1588</b>	8	BOLT (3/8-16X1.25-IN)						
	18	1	<b>2S-5100</b>	1	VALVE-MANUAL						
	19	1	<b>2W-9299</b>	1	COVER-FILTER HOUSING						
	20	1	<b>7F-0192</b>	3	BOLT (3/8-16X2-IN)						
	21	1	<b>6V-8001</b>	1	SEAL-O-RING						
C	22	1	<b>2B-0858</b>	1	PLUG-PIPE						
	23	2	<b>1N-2895</b>	1	SPRING						
	24	2	<b>113-4634</b>	1	RETAINER-FILTER						
	25	2	<b>6V-3907</b>	4	SEAL-O-RING						
	26	2	<b>4P-2839</b>	3	FILTER ELEMENT AS-OIL (ENGINE)						
					(EACH INCLUDES)						
		2	<b>4W-3251</b>	2	SEAL (OIL FILTER)						
	27	2	<b>2W-8378</b>	1	ADAPTER						
	28	2	<b>4W-6387</b>	1	HOUSING AS (BYPASS)						
		2	<b>7N-2043</b>	3	DOWEL						
	29	2	<b>0L-1143</b>	4	BOLT (3/8-16X2.5-IN)						
	30	2	<b>9S-8752</b>	3	NUT-FULL (3/8-16-THD)						
	31	2	<b>5M-2894</b>	9	WASHER-HARD (10.2X18.5X2.5-MM THK)						
	32	2	<b>4W-8459</b>	1	COVER						
		2	<b>5D-5957</b>	1	SEAL-O-RING						
C	33	2	<b>0S-1571</b>	3	BOLT (3/8-16X1.75-IN)						
	34	2	<b>5P-4892</b>	2	SEAL-O-RING						
	35	2	<b>2W-1635</b>	1	SPRING						
	36	2	<b>4W-5592</b>	1	COVER						
	37	2	<b>2W-1969</b>	1	VALVE-BYPASS (OIL COOLER)						
	38	2	<b>0S-1619</b>	1	BOLT (3/8-16X3-IN)						

B - USE AS REQUIRED  
C - CHANGE FROM PREVIOUS TYPE

# LUBRICATION SYSTEM

4W-6874 FILTER GP-ENGINE OIL (contd.)

i02758323



REFER TO ALL ILLUSTRATIONS OF THIS GROUP FOR AUXILIARY VIEWS

FRONT VIEW

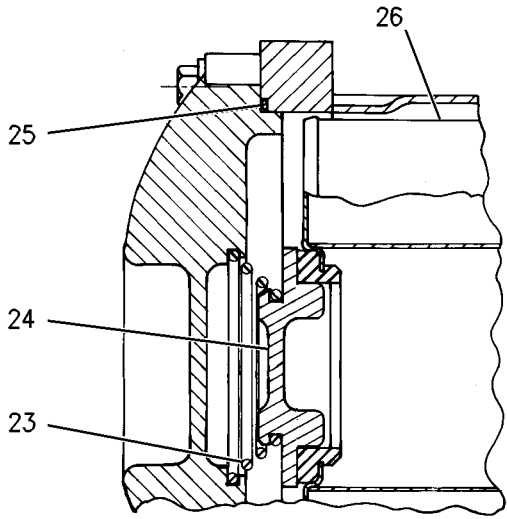
GRAPHIC #1

g00899373

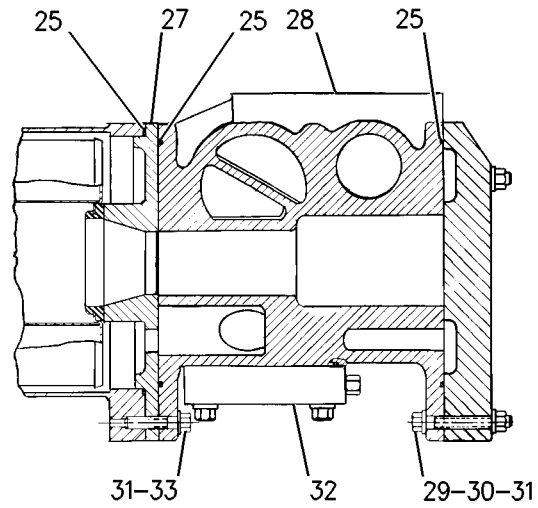
# LUBRICATION SYSTEM

4W-6874 FILTER GP-ENGINE OIL (contd.)

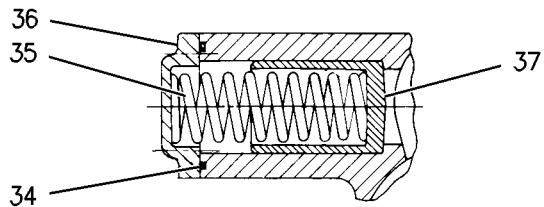
i02758323



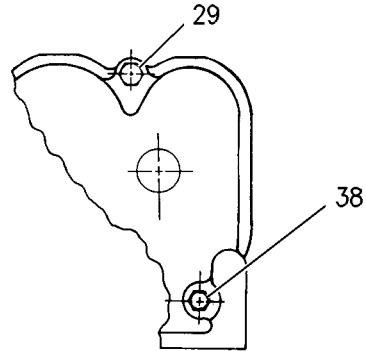
SECTION A-A



SECTION C-C



SECTION B-B



VIEW D-D

GRAPHIC #2

<END>

g00899372



# LUBRICATION SYSTEM

## 4W-7078 FILTER GP-ENGINE OIL-LH

FOR USE WITH 4W-6062-PAGE: 500  
AN ATTACHMENT

SMCS-1306, 1308

i07153149

NOTE	REF NO	GRAPHIC REF	PART NUMBER	QTY	PART NAME 1 2 3 4 5 6 (PRODUCT LEVEL)	SEE PAGE
	1	1	<b>1R-0726</b>	3	FILTER ELEMENT AS-ENGINE OIL (STANDARD EFFICIENCY)	
	2	2	<b>2S-5100</b>	1	VALVE-MANUAL	
	3	1	<b>2W-1635</b>	1	SPRING	
	4	1	<b>2W-1969</b>	1	VALVE-BYPASS (OIL COOLER)	
	5	1	<b>4W-5592</b>	1	COVER	
	6	2	<b>4W-6387</b>	1	HOUSING AS (BYPASS)	
		2	<b>7N-2043</b>	3	DOWEL	
	7	1	<b>4W-6491</b>	1	SUPPORT-HOUSING	
	8	2	<b>4W-6492</b>	1	ADAPTER	
	9	1	<b>4W-7192</b>	1	TUBE	
	10	2	<b>339-5148</b>	1	COVER	
	11	2	<b>4W-8467</b>	1	TUBE	
	12	1	<b>7F-0192</b>	3	BOLT (3/8-16X2-IN)	
	13	2	<b>361-7097</b>	1	RING	
	14	2	<b>361-7098</b>	1	FLANGE	
	15	1	<b>8N-9482</b>	1	SUPPORT-OIL FILTER	
	16	2	<b>100-8075</b>	2	CLAMP AS	
	17	2	<b>111-3820</b>	2	RING-RETAINING	
	18	1	<b>111-8639</b>	1	COVER-BYPASS VALVE	
	19	1	<b>133-9313</b>	1	PLATE	
	20	2	<b>155-1690</b>	1	ADAPTER AS	
		2	<b>154-1581</b>	1	RING-RETAINING	
	21	1	<b>157-0443</b>	1	COVER AS	
		1	<b>7N-2043</b>	1	DOWEL	
	22	1,2	<b>278-1082</b>	1	HOUSING AS-FILTER (ENGINE OIL)	
		1,2	<b>4V-7412</b>	1	BOSS (3/8-16-THD)	
	23	1	<b>0L-1143</b>	4	BOLT (3/8-16X2.5-IN)	
	24	1	<b>0L-1351</b>	3	BOLT (3/8-16X0.875-IN)	
	25	2	<b>0S-1571</b>	8	BOLT (3/8-16X1.75-IN)	
	26	1	<b>0S-1588</b>	8	BOLT (3/8-16X1.25-IN)	
	27	2	<b>0S-1594</b>	4	BOLT (3/8-16X1-IN)	
	28	1,2	<b>0S-1619</b>	5	BOLT (3/8-16X3-IN)	
	29	1,2	<b>109-2332</b>	4	SEAL-O-RING	
	30	2	<b>165-3931</b>	3	BOLT (3/8-16X1.75-IN)	
	31	1	<b>1M-0644</b>	3	BOLT (3/8-16X2.25-IN)	
	32	1	<b>4S-5882</b>	2	BOLT (1/2-13X7.25-IN)	
	33	2	<b>5D-5957</b>	1	SEAL-O-RING	
	34	1,2	<b>5M-2894</b>	27	WASHER-HARD (10.2X18.5X2.5-MM THK)	
	35	1	<b>5P-4624</b>	2	BOLT (3/4-10X11.5-IN)	
	36	1,2	<b>5P-4892</b>	6	SEAL-O-RING	
	39	1,2	<b>6V-3907</b>	4	SEAL-O-RING	
	40	1,2	<b>6V-5048</b>	6	SEAL-O-RING	
	41	1	<b>6V-8001</b>	1	SEAL-O-RING	
	42	1	<b>8T-6762</b>	1	PLUG-PIPE (1/2-14-THD)	
	43	1,2	<b>9S-4182</b>	6	PLUG (7/16-20-THD)	
	44	2	<b>9S-8752</b>	3	NUT-FULL (3/8-16-THD)	
B	45	1	<b>1D-4574</b>	2	BOLT (1/2-13X6-IN)	

# LUBRICATION SYSTEM

**4W-7078 FILTER GP-ENGINE OIL (contd.)**

**i07153149**

NOTE	REF NO	GRAPHIC REF	PART NUMBER	QTY	PART NAME						SEE PAGE
					1	2	3	4	5	6 (PRODUCT LEVEL)	
B	46	1	<b>5P-5421</b>	4	BOLT (1/2-13X11.5-IN)						
	50	1	<b>264-0450</b>	2	CLAMP AS						

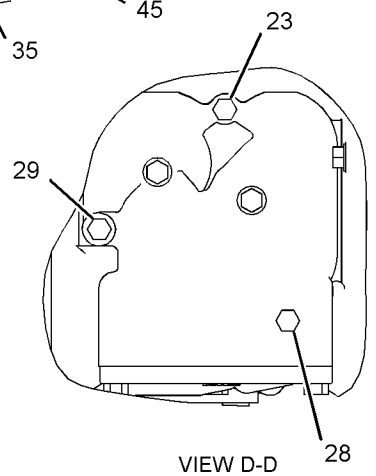
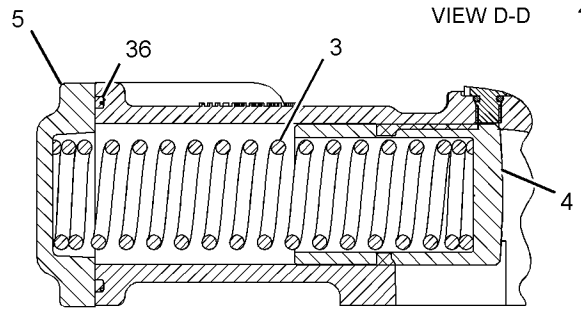
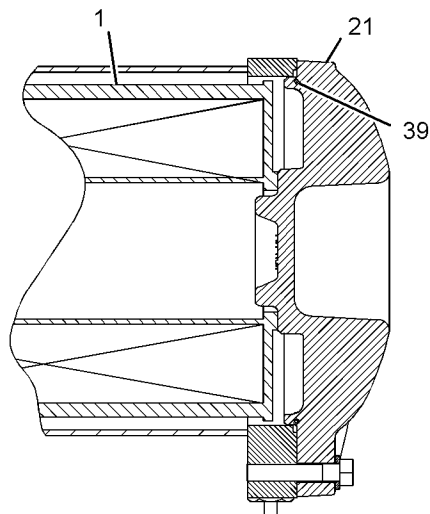
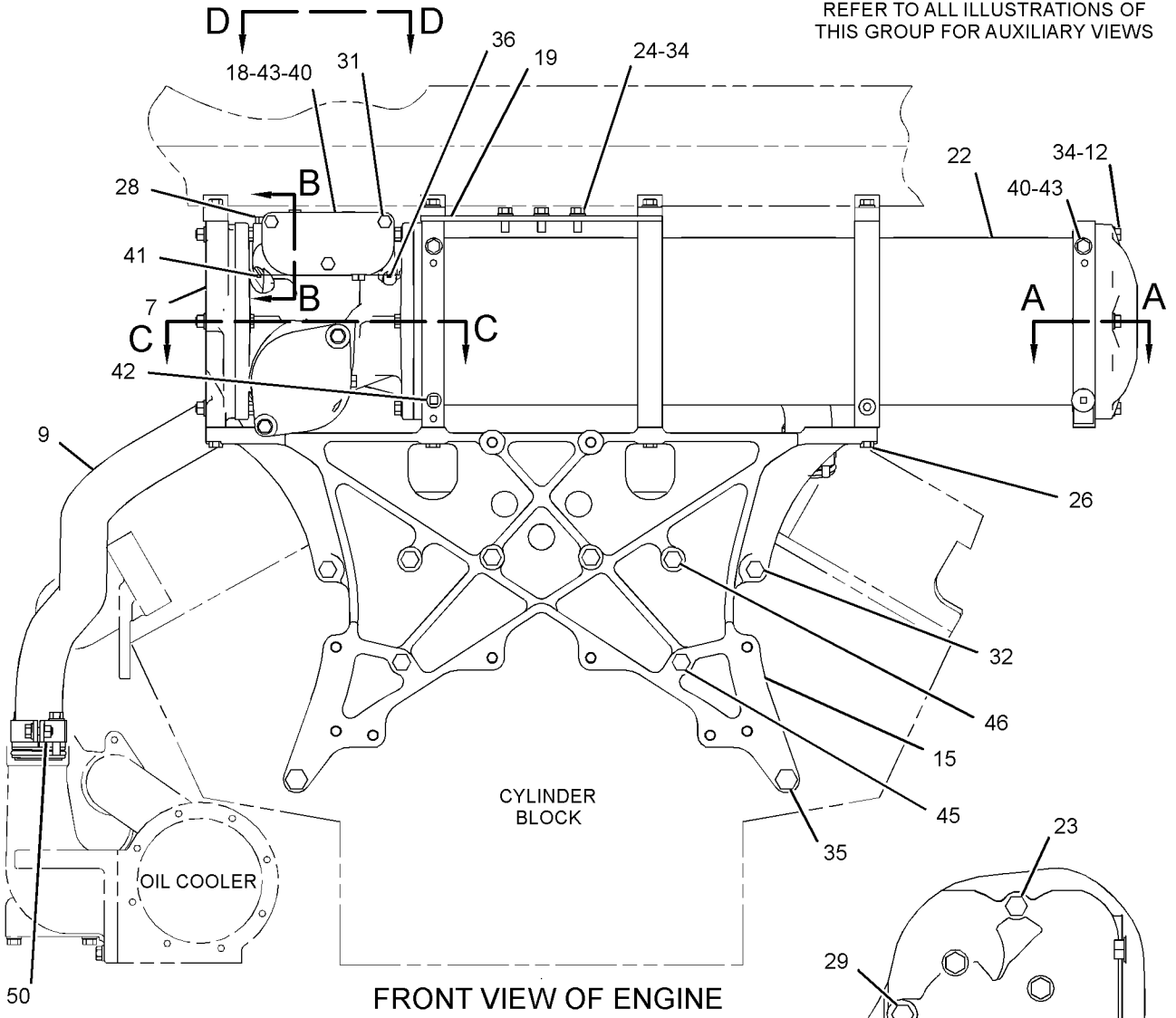
B - USE AS REQUIRED

# LUBRICATION SYSTEM

4W-7078 FILTER GP-ENGINE OIL (contd.)

107153149

REFER TO ALL ILLUSTRATIONS OF THIS GROUP FOR AUXILIARY VIEWS



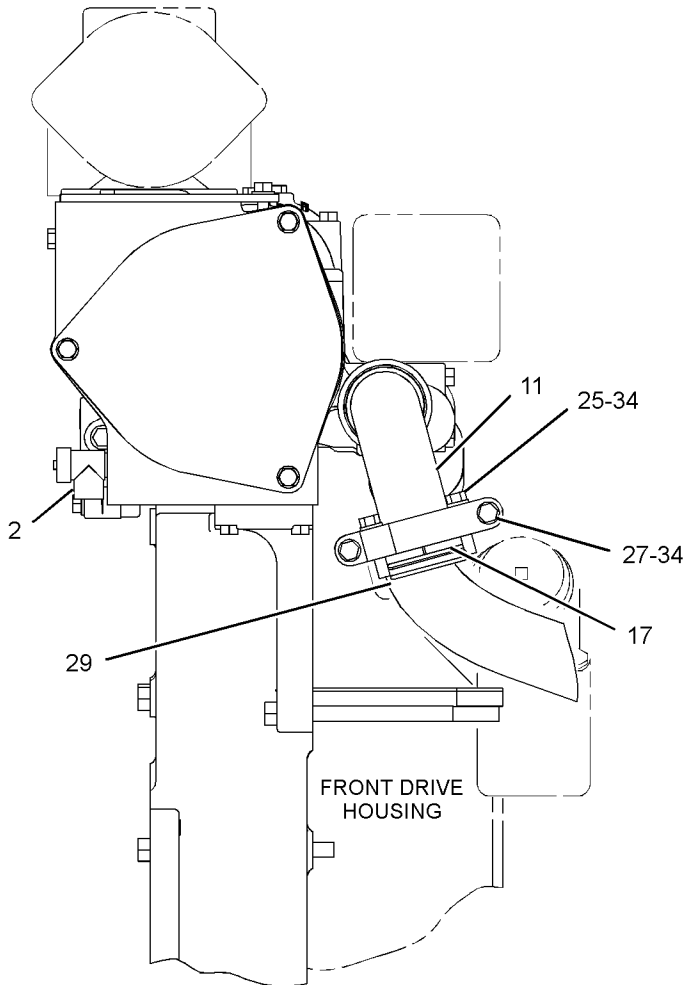
GRAPHIC #1

g03711159

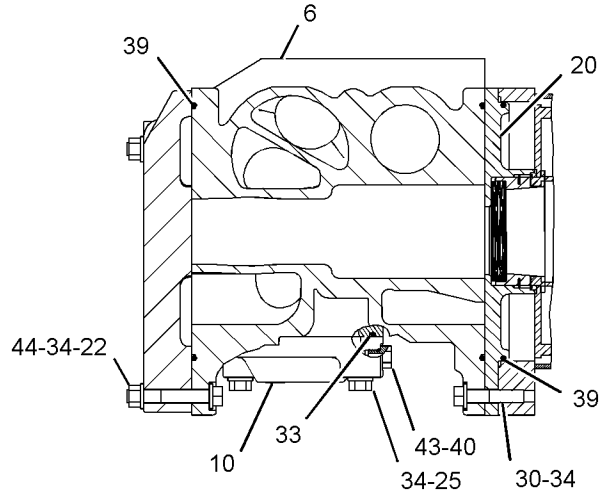
# LUBRICATION SYSTEM

4W-7078 FILTER GP-ENGINE OIL (contd.)

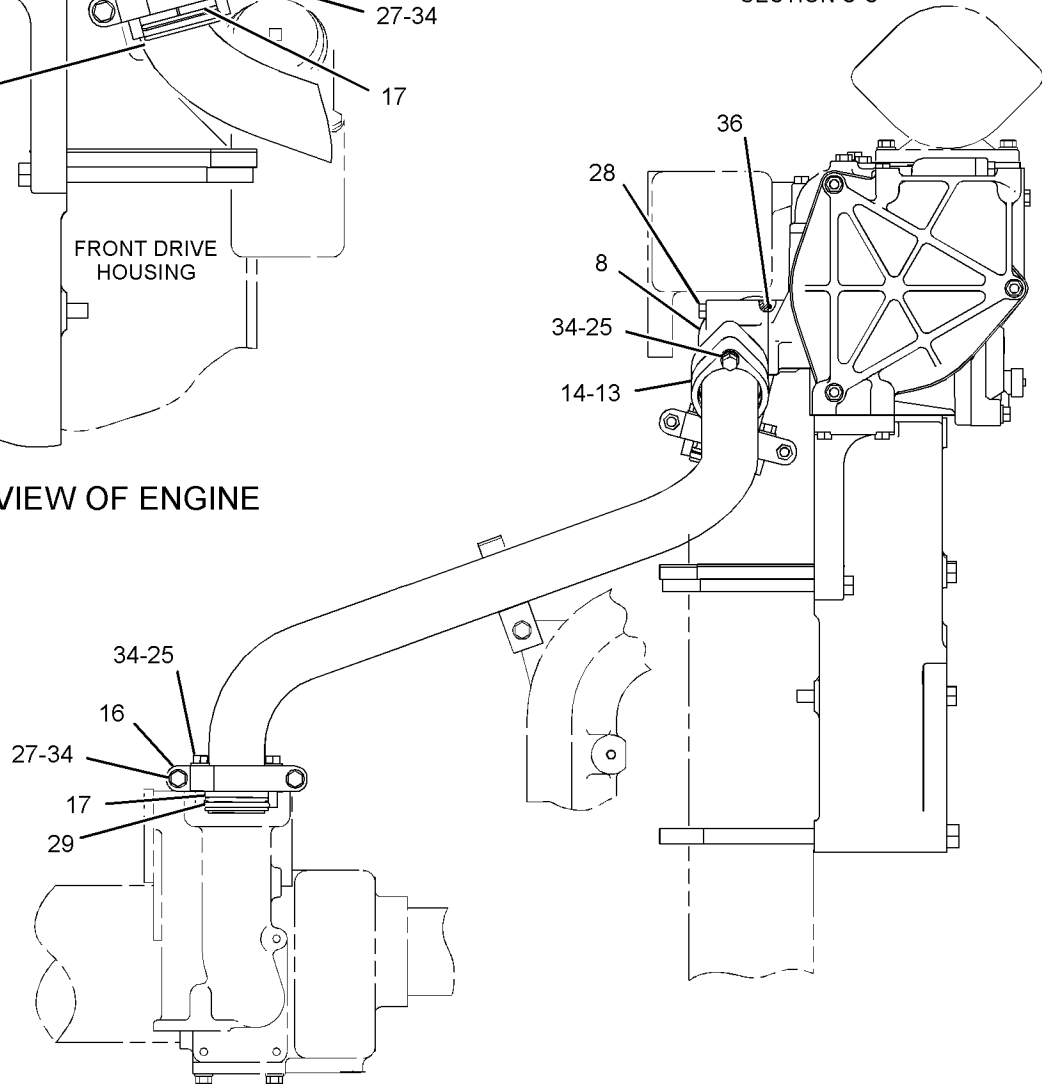
i07153149



LEFT SIDE VIEW OF ENGINE



SECTION C-C



RIGHT SIDE VIEW OF ENGINE

GRAPHIC #2

<END>

g03711160

# LUBRICATION SYSTEM

## 4W-9968 FILTER GP-ENGINE OIL-DUPLEX AN ATTACHMENT TYPE 1

SMCS-1306, 1308

i02758366

NOTE	REF NO	GRAPHIC REF	PART NUMBER	QTY	PART NAME 1 2 3 4 5 6 (PRODUCT LEVEL)	SEE PAGE
	1	1	<b>0L-1143</b>	1	BOLT (3/8-16X2.5-IN)	
	2	1	<b>0S-1619</b>	4	BOLT (3/8-16X3-IN)	
	3	1	<b>6V-3907</b>	6	SEAL-O-RING	
	4	1	<b>2W-8378</b>	2	ADAPTER	
CY	5	1	<b>7W-3816</b>	1	VALVE GP-FLUID CONTROL (DUPLEX OIL)	603
	6	1	<b>2W-9209</b>	1	VALVE AS-CHECK	
	7	1	<b>4P-2839</b>	4	FILTER ELEMENT AS-OIL (ENGINE)	
					(EACH INCLUDES)	
		1	<b>4W-3251</b>	2	SEAL (OIL FILTER)	
	8	1	<b>3J-9173</b>	1	BOLT-SPECIAL	
	9	1	<b>2W-9299</b>	2	COVER-FILTER HOUSING	
	10	1	<b>1N-2895</b>	2	SPRING	
	11	1	<b>113-4634</b>	2	RETAINER-FILTER	
	12	1	<b>0S-1571</b>	6	BOLT (3/8-16X1.75-IN)	
C	13	1	<b>5M-2894</b>	21	WASHER-HARD (10.2X18.5X2.5-MM THK)	
	14	1	<b>9K-6540</b>	1	WASHER-SPRING (0.63X1.25X0.04-IN THK)	
	15	1	<b>2N-8613</b>	1	WASHER (0.63X1.06X0.059-IN THK)	
	16	1	<b>5P-8245</b>	1	WASHER-HARD (13.5X25.5X3-MM THK)	
	17	1	<b>4W-5592</b>	1	COVER	
	18	1	<b>2W-1635</b>	1	SPRING	
	19	1	<b>5P-4892</b>	4	SEAL-O-RING	
	20	1	<b>2W-1969</b>	1	VALVE-BYPASS (OIL COOLER)	
	21	1	<b>5P-4624</b>	2	BOLT (3/4-10X11.5-IN)	
B	22	1	<b>1D-4574</b>	2	BOLT (1/2-13X6-IN)	
B	23	1	<b>5P-5421</b>	4	BOLT (1/2-13X11.5-IN)	
	24	1	<b>4S-5882</b>	2	BOLT (1/2-13X7.25-IN)	
C	25	1	<b>9S-4182</b>	4	PLUG (7/16-20-THD)	
C	26	1	<b>6V-5048</b>	4	SEAL-O-RING	
	27	1	<b>4W-0288</b>	1	TUBE AS	
	28	1	<b>3L-5389</b>	1	TIE ROD	
	29	1	<b>5B-9079</b>	2	NUT-JAM (3/8-24-THD)	
	30	1	<b>1A-9252</b>	2	END-ADJUSTMENT ROD	
	31	1	<b>9H-6673</b>	2	PIN	
	32	1	<b>3B-4615</b>	2	PIN-COTTER	
	33	1	<b>4W-0290</b>	1	VALVE AS	
	34	1	<b>4W-0334</b>	1	PLUNGER AS-BALL	
	35	1	<b>2S-5100</b>	2	VALVE-MANUAL	
	36	1	<b>4W-0090</b>	1	BLOCK	
	37	1	<b>002-6453</b>	1	ELBOW	
	39	1	<b>6K-9194</b>	1	ELBOW	
	40	1	<b>7F-0192</b>	6	BOLT (3/8-16X2-IN)	
	41	1	<b>4W-0096</b>	1	LEVER	
	42	1	<b>0S-1594</b>	1	BOLT (3/8-16X1-IN)	
	43	1	<b>4W-0289</b>	1	TUBE AS	
	44	1	<b>137-6857</b>	1	HOUSING AS-OIL FILTER	
	45	1	<b>7D-8793</b>	2	ELBOW-FLARED	
	46	1	<b>3D-9777</b>	1	LEVER	

# LUBRICATION SYSTEM

**4W-9968 FILTER GP-ENGINE OIL (contd.)**

**i02758366**

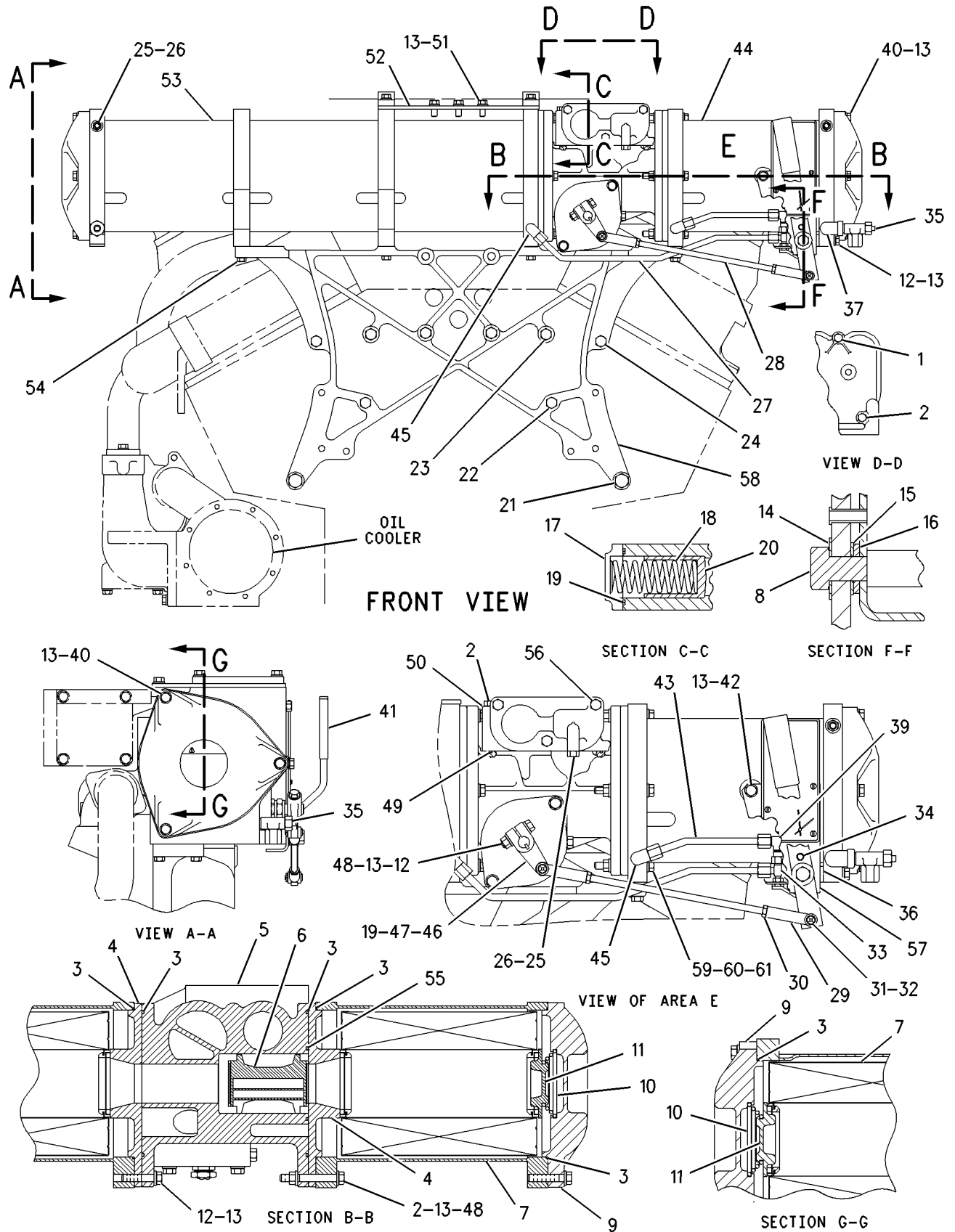
NOTE	REF NO	GRAPHIC REF	PART NUMBER	QTY	PART NAME						SEE PAGE
					1	2	3	4	5	6 (PRODUCT LEVEL)	
	47	1	<b>1B-8706</b>	1	KEY-WOODRUFF						
	48	1	<b>9S-8752</b>	3	NUT-FULL (3/8-16-THD)						
	49	1	<b>6V-8001</b>	1	SEAL-O-RING						
	50	1	<b>4W-8468</b>	1	COVER-VALVE						
	51	1	<b>0L-1351</b>	3	BOLT (3/8-16X0.875-IN)						
	52	1	<b>133-9313</b>	1	PLATE						
	53	1	<b>1W-2963</b>	1	HOUSING AS-FILTER						
	54	1	<b>0S-1588</b>	8	BOLT (3/8-16X1.25-IN)						
	55	1	<b>6V-8002</b>	1	SEAL-O-RING						
	56	1	<b>1M-0644</b>	3	BOLT (3/8-16X2.25-IN)						
	57	1	<b>4W-0343</b>	1	BRACKET						
	58	1	<b>8N-9482</b>	1	SUPPORT-OIL FILTER						
B	59	1	<b>0S-1619</b>	1	BOLT (3/8-16X3-IN)						
B	60	1	<b>5M-2894</b>	2	WASHER-HARD (10.2X18.5X2.5-MM THK)						
B	61	1	<b>9S-8752</b>	1	NUT-FULL (3/8-16-THD)						

B - USE AS REQUIRED  
 C - CHANGE FROM PREVIOUS TYPE  
 Y - SEPARATE ILLUSTRATION

# LUBRICATION SYSTEM

4W-9968 FILTER GP-ENGINE OIL (contd.)

102758366



GRAPHIC #1

<END>

g00742790

# LUBRICATION SYSTEM

## 4W-9968 FILTER GP-ENGINE OIL-DUPLEX AN ATTACHMENT TYPE 2

SMCS-1306, 1308

i01761714

NOTE	REF NO	GRAPHIC REF	PART NUMBER	QTY	PART NAME 1 2 3 4 5 6 (PRODUCT LEVEL)	SEE PAGE
	1	1	<b>0L-1143</b>	1	BOLT (3/8-16X2.5-IN)	
C	2	1	<b>0S-1619</b>	2	BOLT (3/8-16X3-IN)	
	3	1	<b>6V-3907</b>	6	SEAL-O-RING	
C	4	1	<b>155-1690</b>	2	ADAPTER AS	
Y	5	1	<b>7W-3816</b>	1	VALVE GP-FLUID CONTROL (DUPLEX OIL)	603
	6	1	<b>2W-9209</b>	1	VALVE AS-CHECK	
	7	1	<b>1R-0726</b>	4	FILTER ELEMENT AS-ENGINE OIL (STANDARD EFFICIENCY)	
	8	1	<b>3J-9173</b>	1	BOLT-SPECIAL	
C	9	1	<b>157-0443</b>	2	COVER AS	
					(EACH INCLUDES)	
		1	<b>7N-2043</b>	1	DOWEL (.25 DIA. X .50)	
C	10	1	<b>203-2158</b>	1	HOUSING AS (OIL FILTER)	
	11	1	<b>0S-1571</b>	6	BOLT (3/8-16X1.75-IN)	
	12	1	<b>9K-6540</b>	1	WASHER-SPRING (0.63X1.25X0.04-IN THK)	
	13	1	<b>2N-8613</b>	1	WASHER (0.63X1.06X0.059-IN THK)	
	14	1	<b>5P-8245</b>	1	WASHER-HARD (13.5X25.5X3-MM THK)	
	15	1	<b>4W-5592</b>	1	COVER	
	16	1	<b>2W-1635</b>	1	SPRING	
	17	1	<b>5P-4892</b>	4	SEAL-O-RING	
	18	1	<b>2W-1969</b>	1	VALVE-BYPASS (OIL COOLER)	
	19	1	<b>5P-4624</b>	2	BOLT (3/4-10X11.5-IN)	
B	20	1	<b>1D-4574</b>	2	BOLT (1/2-13X6-IN)	
B	21	1	<b>5P-5421</b>	4	BOLT (1/2-13X11.5-IN)	
	22	1	<b>4S-5882</b>	2	BOLT (1/2-13X7.25-IN)	
	23	1	<b>9S-4182</b>	4	PLUG (7/16-20-THD)	
	24	1	<b>6V-5048</b>	4	SEAL-O-RING	
	25	1	<b>4W-0288</b>	1	TUBE AS	
	26	1	<b>3L-5389</b>	1	TIE ROD	
	27	1	<b>5B-9079</b>	2	NUT-JAM (3/8-24-THD)	
	28	1	<b>1A-9252</b>	2	END-ADJUSTMENT ROD	
	29	1	<b>9H-6673</b>	2	PIN	
	30	1	<b>3B-4615</b>	2	PIN-COTTER	
	31	1	<b>4W-0290</b>	1	VALVE AS	
	32	1	<b>4W-0334</b>	1	PLUNGER AS-BALL	
	33	1	<b>2S-5100</b>	2	VALVE-MANUAL	
	34	1	<b>4W-0090</b>	1	BLOCK	
	35	1	<b>002-6453</b>	1	ELBOW	
	37	1	<b>6K-9194</b>	1	ELBOW	
	38	1	<b>7F-0192</b>	6	BOLT (3/8-16X2-IN)	
	39	1	<b>4W-0096</b>	1	LEVER	
	40	1	<b>0S-1594</b>	1	BOLT (3/8-16X1-IN)	
	41	1	<b>4W-0289</b>	1	TUBE AS	
C	42	1	<b>161-6934</b>	1	HOUSING AS-FILTER	
	43	1	<b>7D-8793</b>	2	ELBOW-FLARED	
	44	1	<b>3D-9777</b>	1	LEVER	
	45	1	<b>1B-8706</b>	1	KEY-WOODRUFF	
	46	1	<b>6V-8001</b>	1	SEAL-O-RING	



# LUBRICATION SYSTEM

**4W-9968 FILTER GP-ENGINE OIL (contd.)**

**i01761714**

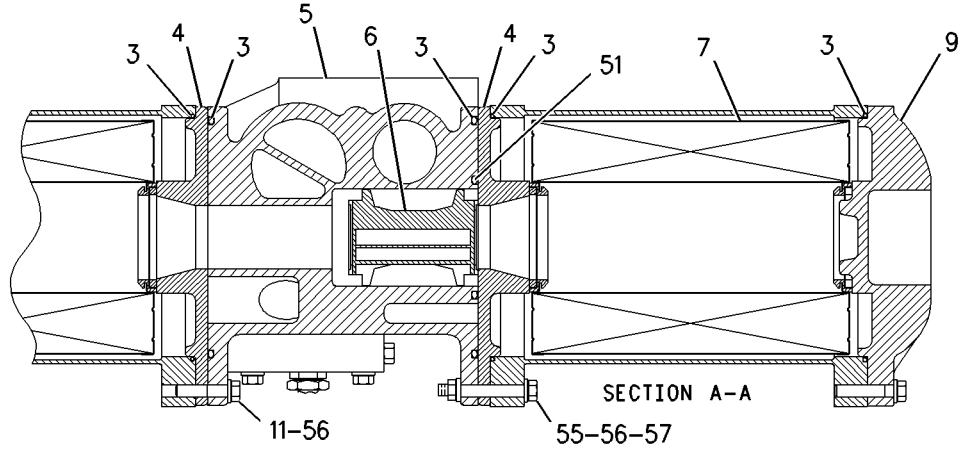
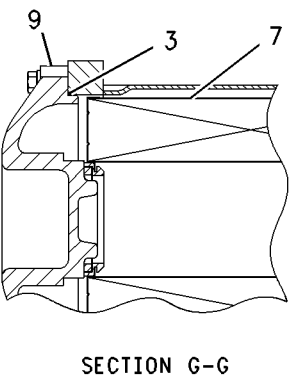
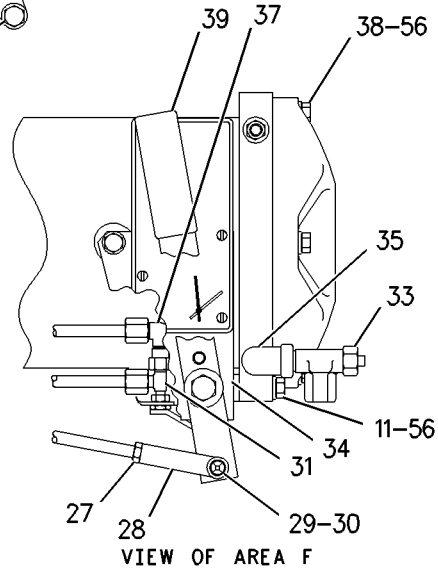
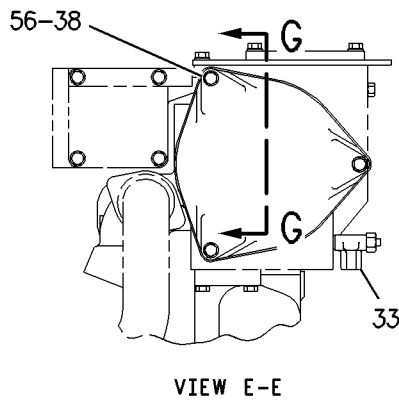
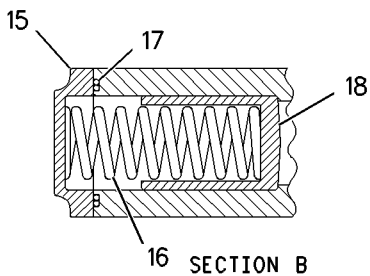
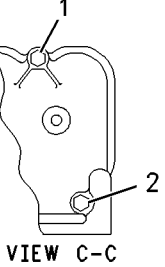
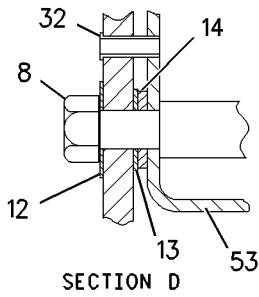
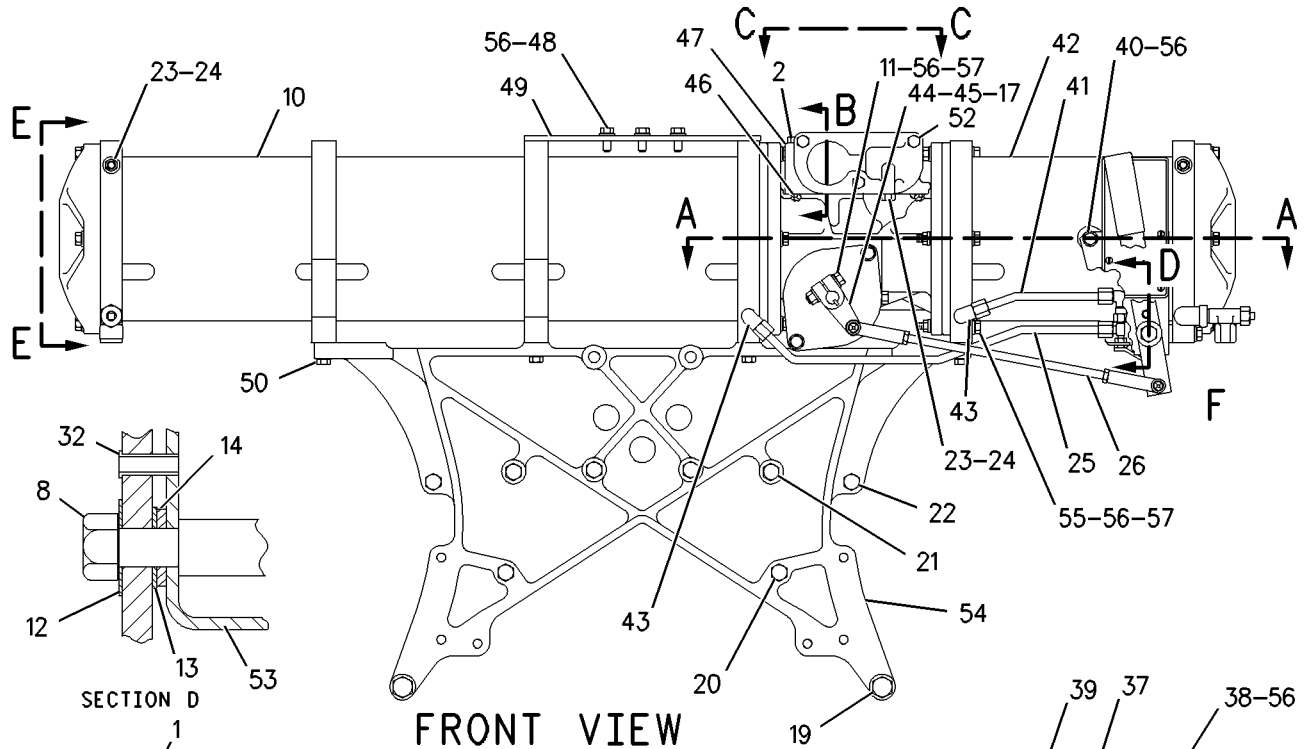
NOTE	REF NO	GRAPHIC REF	PART NUMBER	QTY	PART NAME						SEE PAGE
					1	2	3	4	5	6 (PRODUCT LEVEL)	
	47	1	<b>4W-8468</b>	1	COVER-VALVE						
	48	1	<b>0L-1351</b>	3	BOLT (3/8-16X0.875-IN)						
	49	1	<b>133-9313</b>	1	PLATE						
	50	1	<b>0S-1588</b>	8	BOLT (3/8-16X1.25-IN)						
	51	1	<b>6V-8002</b>	1	SEAL-O-RING						
	52	1	<b>1M-0644</b>	3	BOLT (3/8-16X2.25-IN)						
	53	1	<b>4W-0343</b>	1	BRACKET						
	54	1	<b>8N-9482</b>	1	SUPPORT-OIL FILTER						
C	55	1	<b>0T-0573</b>	3	BOLT (3/8-16X2.75-IN)						
	56	1	<b>5M-2894</b>	23	WASHER-HARD (10.2X18.5X2.5-MM THK)						
	57	1	<b>9S-8752</b>	4	NUT-FULL (3/8-16-THD)						

B - USE AS REQUIRED  
 C - CHANGE FROM PREVIOUS TYPE  
 Y - SEPARATE ILLUSTRATION

# LUBRICATION SYSTEM

4W-9968 FILTER GP-ENGINE OIL (contd.)

i01761714



GRAPHIC #1

<END>

g00834053

# LUBRICATION SYSTEM

## 4W-9968 FILTER GP-ENGINE OIL-DUPLEX

AN ATTACHMENT

TYPE 3

SMCS-1306, 1308

i07329808

NOTE	REF NO	GRAPHIC REF	PART NUMBER	QTY	PART NAME						SEE PAGE
					1	2	3	4	5	6 (PRODUCT LEVEL)	
B	1	1	<b>1D-4574</b>	2	BOLT (1/2-13X6-IN)						
B	2	1	<b>5P-5421</b>	4	BOLT (1/2-13X11.5-IN)						
	3	2	<b>9S-8752</b>	4	NUT-FULL (3/8-16-THD)						
	4	1	<b>1R-0726</b>	4	FILTER ELEMENT AS-ENGINE OIL (STANDARD EFFICIENCY)						
	5	1,2	<b>2S-5100</b>	2	VALVE-MANUAL						
	6	2	<b>2W-1635</b>	1	SPRING						
	7	2	<b>2W-1969</b>	1	VALVE-BYPASS (OIL COOLER)						
	8	2	<b>2W-9209</b>	1	VALVE AS-CHECK						
	9	2	<b>4W-0090</b>	1	BLOCK						
	10	2	<b>4W-0096</b>	1	LEVER						
	11	2	<b>4W-0288</b>	1	TUBE AS						
	12	2	<b>4W-0289</b>	1	TUBE AS						
	13	2	<b>4W-0290</b>	1	VALVE AS						
	14	2	<b>4W-0334</b>	1	PLUNGER AS-BALL						
	15	2	<b>4W-0343</b>	1	BRACKET						
	16	2	<b>4W-5592</b>	1	COVER						
Y	17	2	<b>7W-3816</b>	1	VALVE GP-FLUID CONTROL (DUPLEX OIL)						603
	18	1	<b>8N-9482</b>	1	SUPPORT-OIL FILTER						
	19	2	<b>002-6453</b>	1	ELBOW						
	20	2	<b>111-8639</b>	1	COVER-BYPASS VALVE						
	21	1	<b>133-9313</b>	1	PLATE						
	22	2	<b>155-1690</b>	2	ADAPTER AS						
					(EACH INCLUDES)						
		2	<b>154-1581</b>	1	RING-RETAINING						
	23	1	<b>157-0443</b>	2	COVER AS						
					(EACH INCLUDES)						
		1	<b>7N-2043</b>	1	DOWEL						
	24	1	<b>278-1082</b>	1	HOUSING AS-FILTER (ENGINE OIL)						
		1	<b>4V-7412</b>	1	BOSS (3/8-16-THD)						
	25	2	<b>278-1083</b>	1	HOUSING AS-FILTER (AUXILIARY)						
	26	2	<b>521-3763</b>	1	TIE ROD						
	27	2	<b>532-8532</b>	4	SEAL (ROD END)						
	28	2	<b>0L-1143</b>	1	BOLT (3/8-16X2.5-IN)						
	29	1	<b>0L-1351</b>	3	BOLT (3/8-16X0.875-IN)						
	30	2	<b>165-3931</b>	3	BOLT (3/8-16X1.75-IN)						
	31	1	<b>0S-1588</b>	8	BOLT (3/8-16X1.25-IN)						
	32	2	<b>0S-1594</b>	1	BOLT (3/8-16X1-IN)						
	33	2	<b>0S-1619</b>	2	BOLT (3/8-16X3-IN)						
	34	2	<b>0T-0573</b>	3	BOLT (3/8-16X2.75-IN)						
	35	2	<b>0T-0924</b>	2	BOLT (3/8-24X1.5-IN)						
	36	2	<b>165-3931</b>	3	BOLT (3/8-16X1.75-IN)						
	37	2	<b>1B-8706</b>	1	KEY-WOODRUFF						
	38	2	<b>1M-0644</b>	3	BOLT (3/8-16X2.25-IN)						
	39	2	<b>3D-9777</b>	1	LEVER						
	40	2	<b>3J-9173</b>	1	BOLT-SPECIAL						
	41	1	<b>4S-5882</b>	2	BOLT (1/2-13X7.25-IN)						
	42	2	<b>5B-9079</b>	4	NUT-JAM (3/8-24-THD)						

# LUBRICATION SYSTEM

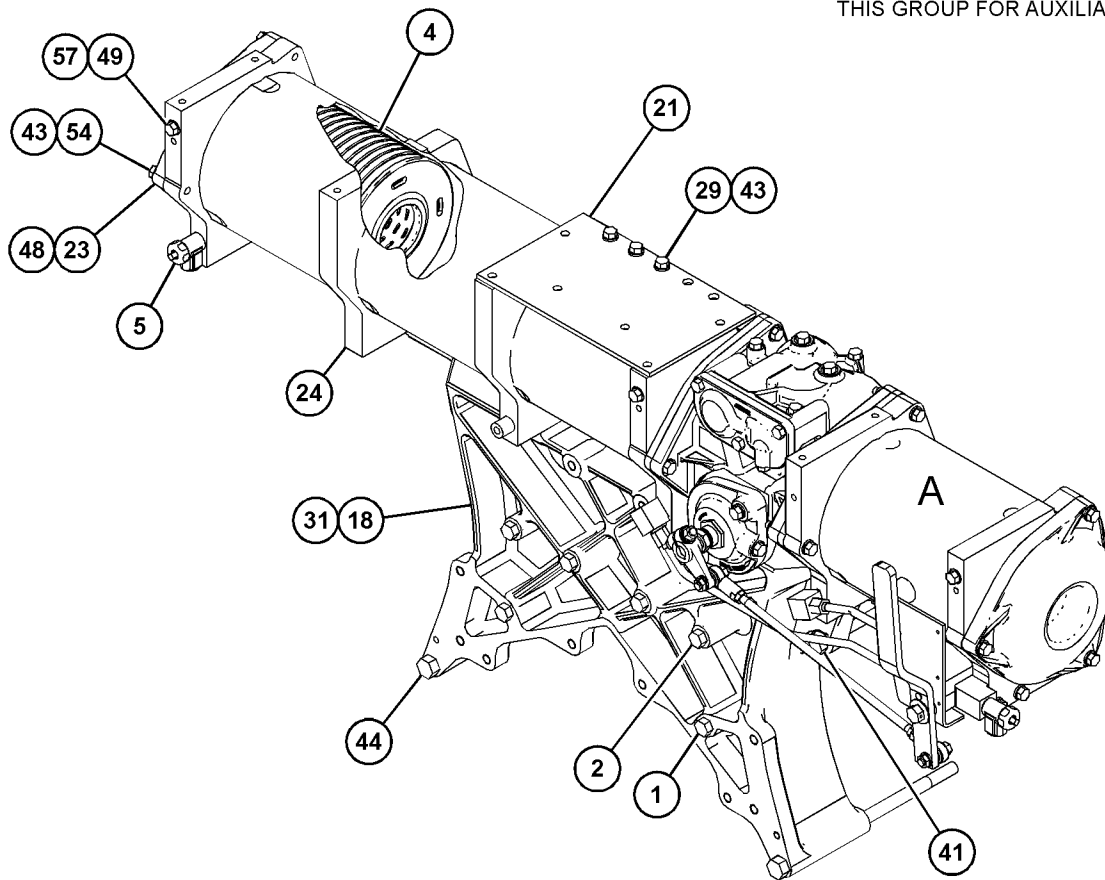
4W-9968 **FILTER GP-ENGINE OIL** (contd.)

**i07329808**

NOTE	REF NO	GRAPHIC REF	PART NUMBER	QTY	PART NAME	1 2 3 4 5 6 (PRODUCT LEVEL)						SEE PAGE
	43	1,2	<b>5M-2894</b>	27	WASHER-HARD (10.2X18.5X2.5-MM THK)							
	44	1	<b>5P-4624</b>	2	BOLT (3/4-10X11.5-IN)							
	45	2	<b>5P-4892</b>	4	SEAL-O-RING							
	46	2	<b>5P-8245</b>	1	WASHER-HARD (13.5X25.5X3-MM THK)							
	47	2	<b>6K-9194</b>	1	ELBOW							
	48	1,2	<b>6V-3907</b>	6	SEAL-O-RING							
	49	1,2	<b>6V-5048</b>	6	SEAL-O-RING							
	50	2	<b>6V-8001</b>	1	SEAL-O-RING							
	51	2	<b>6V-8002</b>	1	SEAL-O-RING							
C	52	2	<b>6V-8823</b>	1	WASHER-HARD (19.25X27X2-MM THK)							
	53	2	<b>7D-8793</b>	2	ELBOW-FLARED							
	54	1,2	<b>7F-0192</b>	6	BOLT (3/8-16X2-IN)							
	55	2	<b>7X-7875</b>	2	ROD END							
	56	2	<b>9K-6540</b>	1	WASHER-SPRING (0.63X1.25X0.04-IN THK)							
	57	1,2	<b>9S-4182</b>	6	PLUG (7/16-20-THD)							

B - USE AS REQUIRED  
 C - CHANGE FROM PREVIOUS TYPE  
 Y - SEPARATE ILLUSTRATION

REFER TO ALL ILLUSTRATIONS OF THIS GROUP FOR AUXILIARY VIEWS



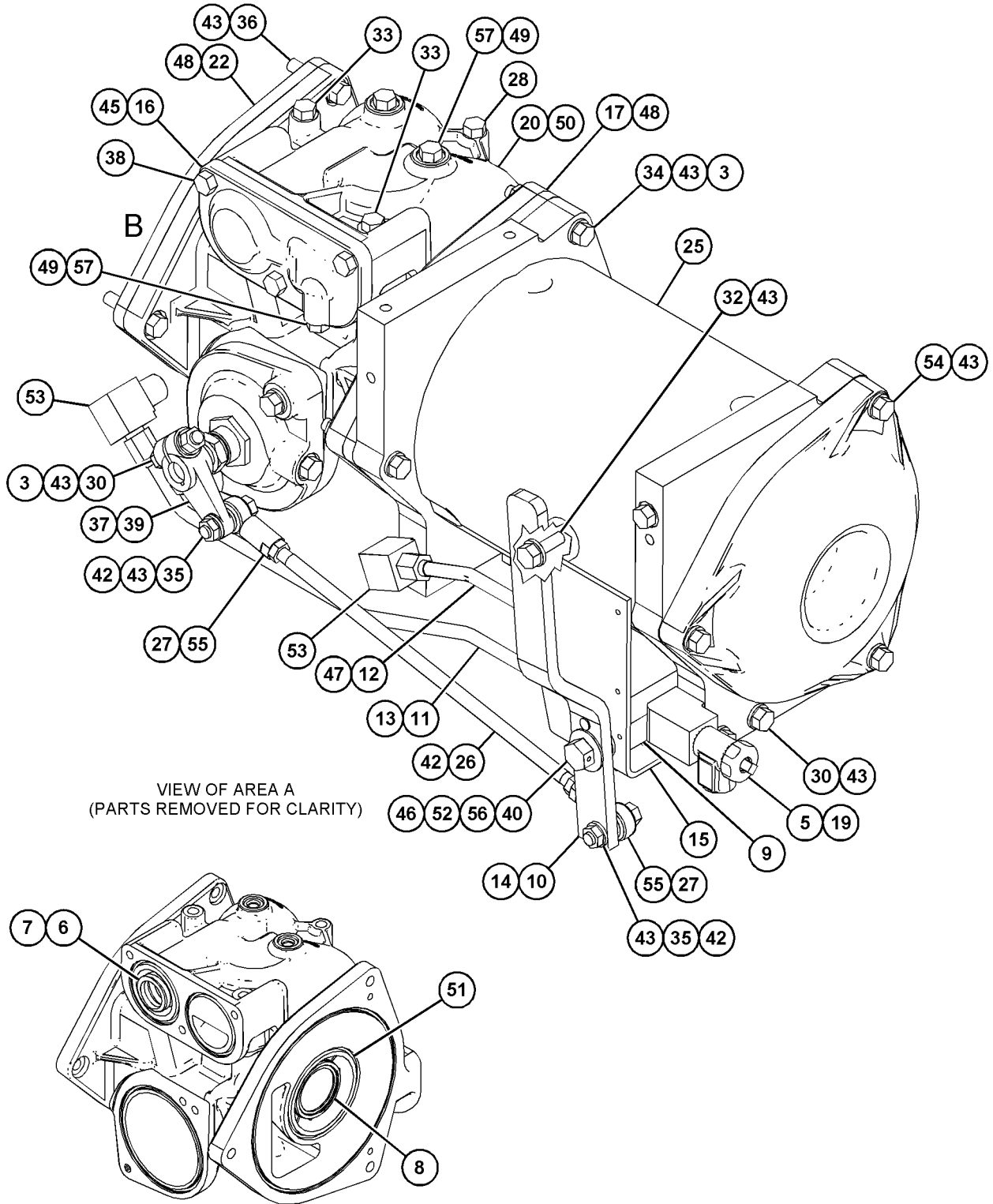
GRAPHIC #1

g06287604

# LUBRICATION SYSTEM

4W-9968 FILTER GP-ENGINE OIL (contd.)

i07329808



GRAPHIC #2

<END>

g06287605

# LUBRICATION SYSTEM

## 7W-0964 FILTER GP-ENGINE OIL

S/N: 50Y647-722

AN ATTACHMENT

SMCS-1306, 1308

i00902227

NOTE	REF NO	GRAPHIC REF	PART NUMBER	QTY	PART NAME						SEE PAGE
					1	2	3	4	5	6 (PRODUCT LEVEL)	
	1	1	<b>4W-6965</b>	1	TUBE						
	2	1	<b>5P-4892</b>	4	SEAL-O-RING						
	3	1	<b>6V-8001</b>	1	SEAL-O-RING						
	4	1	<b>4W-6491</b>	1	SUPPORT-HOUSING						
	5	1	<b>4W-8468</b>	1	COVER-VALVE						
	6	1	<b>0S-1619</b>	2	BOLT (3/8-16X3-IN)						
	7	1	<b>1M-0644</b>	3	BOLT (3/8-16X2.25-IN)						
	8	1	<b>9S-4182</b>	4	PLUG (7/16-20-THD)						
		1	<b>6V-5048</b>	4	SEAL-O-RING						
	9	1	<b>2B-0858</b>	1	PLUG-PIPE						
	10	1	<b>0L-1351</b>	3	BOLT (3/8-16X0.875-IN)						
	11	1	<b>5M-2894</b>	11	WASHER-HARD (10.2X18.5X2.5-MM THK)						
	12	1	<b>1N-2897</b>	1	PLATE AS						
	13	1	<b>1W-2963</b>	1	HOUSING AS-FILTER						
C	14	1	<b>7F-0192</b>	3	BOLT (3/8-16X2-IN)						
	15	1	<b>0S-1588</b>	8	BOLT (3/8-16X1.25-IN)						
	16	1	<b>4S-5882</b>	2	BOLT (1/2-13X7.25-IN)						
	17	1	<b>8N-9482</b>	1	SUPPORT-OIL FILTER						
	18	1	<b>5P-4624</b>	2	BOLT (3/4-10X11.5-IN)						
	19	1	<b>1D-4574</b>	2	BOLT (1/2-13X6-IN)						
	20	1	<b>5P-5421</b>	4	BOLT (1/2-13X11.5-IN)						
	21	1	<b>6V-0267</b>	1	CLIP (TAB)						
	22	1	<b>6V-0268</b>	1	CLIP (SLOT) (CURVED)						
	23	1	<b>0S-1594</b>	2	BOLT (3/8-16X1-IN)						
	24	1	<b>8N-1992</b>	2	RETAINER						
	25	1	<b>8N-1991</b>	1	RING-RETAINING						
	26	1	<b>3P-0649</b>	2	SEAL-O-RING						
	27	1	<b>3B-1915</b>	1	BOLT (3/8-16X1.375-IN)						
	28	1	<b>3H-7131</b>	1	LUG						
	29	1	<b>2W-1635</b>	1	SPRING						
	30	1	<b>4W-5592</b>	1	COVER						
	31	1	<b>2W-1969</b>	1	VALVE-BYPASS (OIL COOLER)						
	32	1	<b>0L-1143</b>	1	BOLT (3/8-16X2.5-IN)						
	33	2	<b>3P-0649</b>	2	SEAL-O-RING						
	34	2	<b>4W-8467</b>	1	TUBE						
	35	2	<b>8N-1991</b>	2	RING-RETAINING						
	36	2	<b>0S-1594</b>	4	BOLT (3/8-16X1-IN)						
	37	2	<b>5M-2894</b>	15	WASHER-HARD (10.2X18.5X2.5-MM THK)						
	38	2	<b>8N-1992</b>	4	RETAINER						
	39	2	<b>4W-6492</b>	1	ADAPTER						
	40	2	<b>0S-1619</b>	3	BOLT (3/8-16X3-IN)						
	41	2	<b>5P-4892</b>	2	SEAL-O-RING						
	42	2	<b>6V-3907</b>	4	SEAL-O-RING						
	43	2	<b>4W-6387</b>	1	HOUSING AS (BYPASS)						
		2	<b>7N-2043</b>	3	DOWEL						
	44	2	<b>2W-8378</b>	1	ADAPTER						
	45	2	<b>2S-5100</b>	1	VALVE-MANUAL						

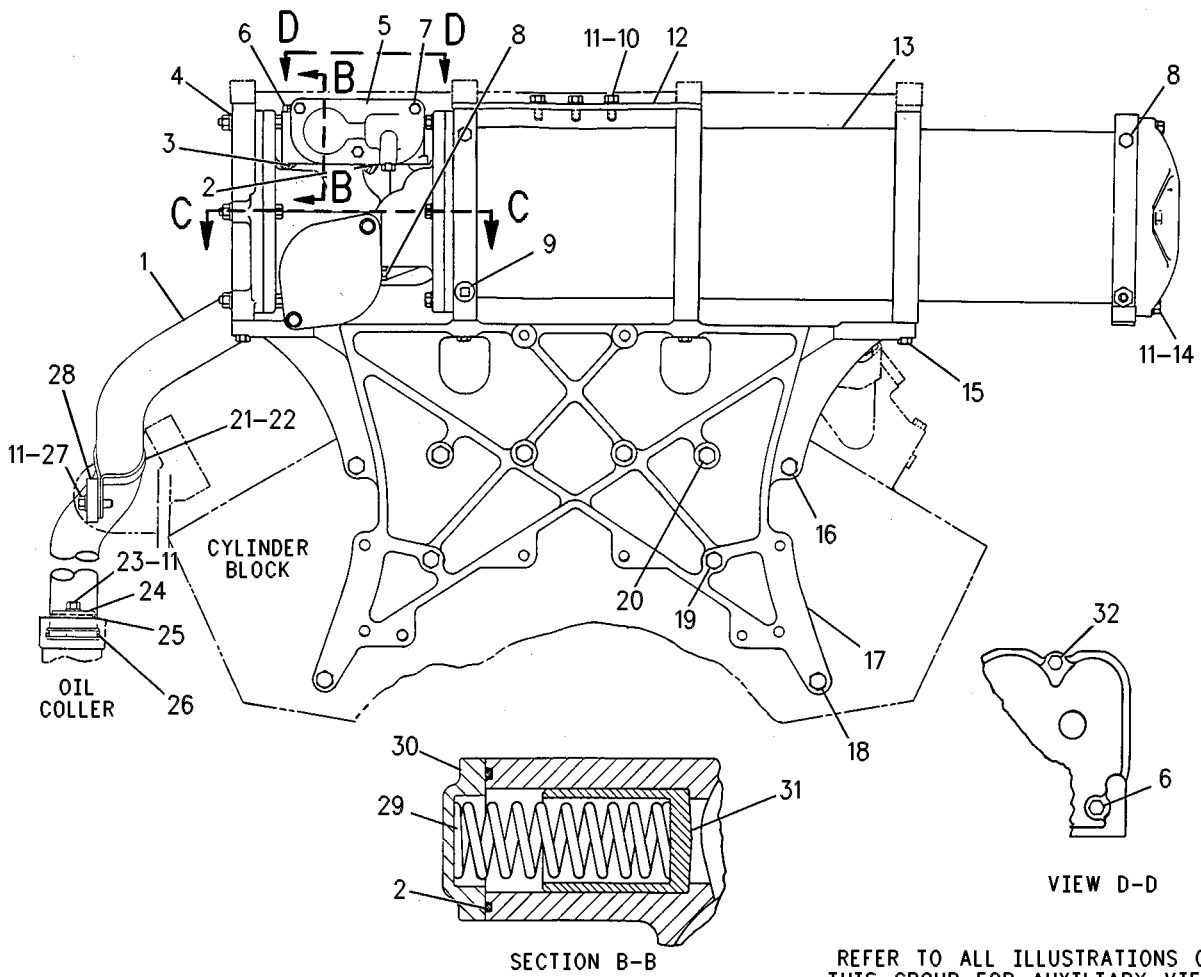
# LUBRICATION SYSTEM

7W-0964 **FILTER GP-ENGINE OIL** (contd.)

**i00902227**

NOTE	REF NO	GRAPHIC REF	PART NUMBER	QTY	PART NAME	1 2 3 4 5 6 (PRODUCT LEVEL)						SEE PAGE
	46	2	<b>5D-5957</b>	1	SEAL-O-RING							
C	47	2	<b>0S-1571</b>	5	BOLT (3/8-16X1.75-IN)							
	48	2	<b>4W-8459</b>	1	COVER							
	49	2	<b>0L-1143</b>	3	BOLT (3/8-16X2.5-IN)							
	50	2	<b>9S-8752</b>	3	NUT-FULL (3/8-16-THD)							
	51	2	<b>7N-7500</b>	3	FILTER ELEMENT AS-OIL							
	52	2	<b>2W-9299</b>	1	COVER-FILTER HOUSING							
	53	2	<b>1N-2895</b>	1	SPRING							
	54	2	<b>2W-9301</b>	1	RETAINER-FILTER							

C - CHANGE FROM PREVIOUS TYPE



REFER TO ALL ILLUSTRATIONS OF THIS GROUP FOR AUXILIARY VIEWS

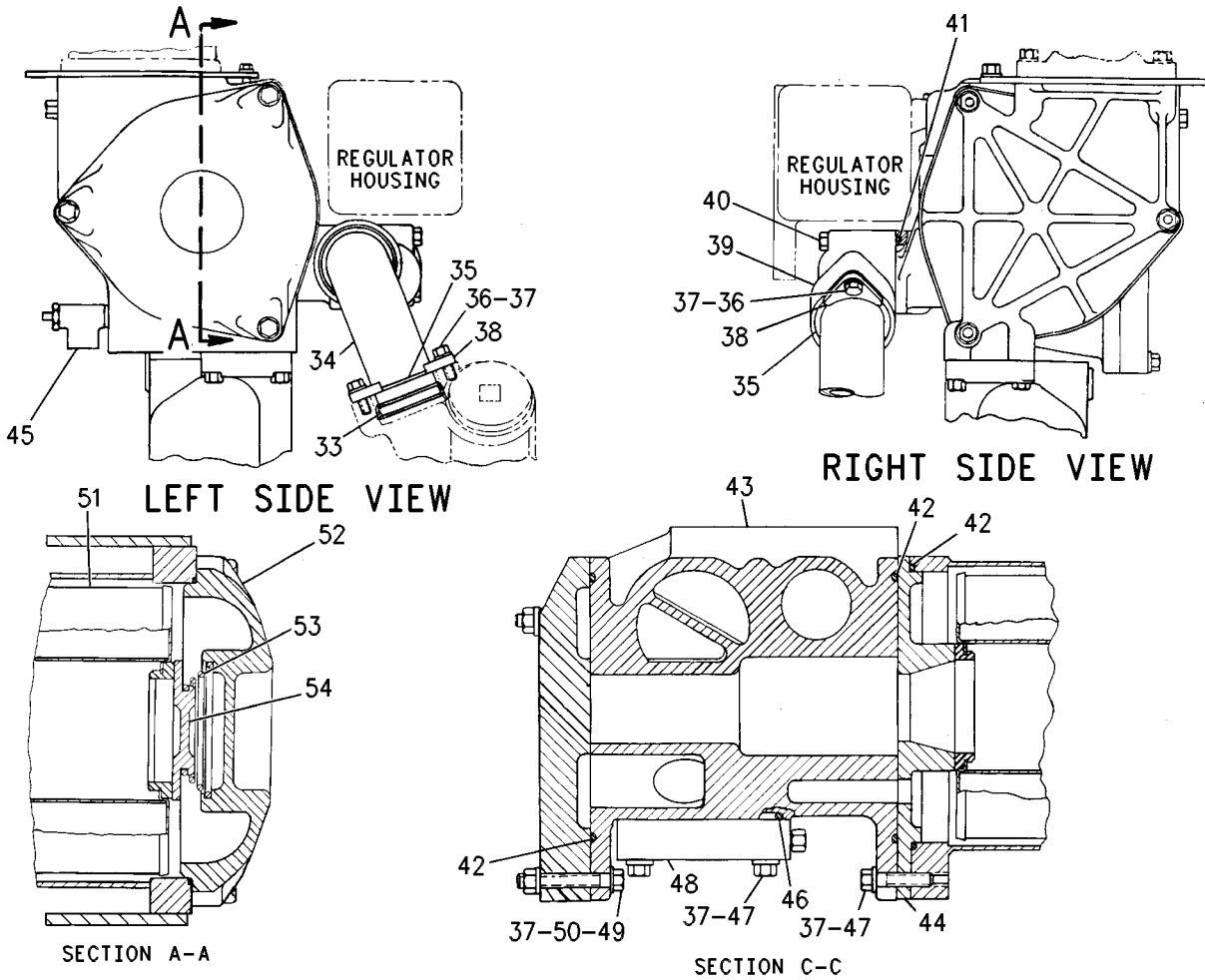
GRAPHIC #1

g00402824

# LUBRICATION SYSTEM

7W-0964 FILTER GP-ENGINE OIL (contd.)

i00902227



GRAPHIC #2

<END>

g00402825



# LUBRICATION SYSTEM

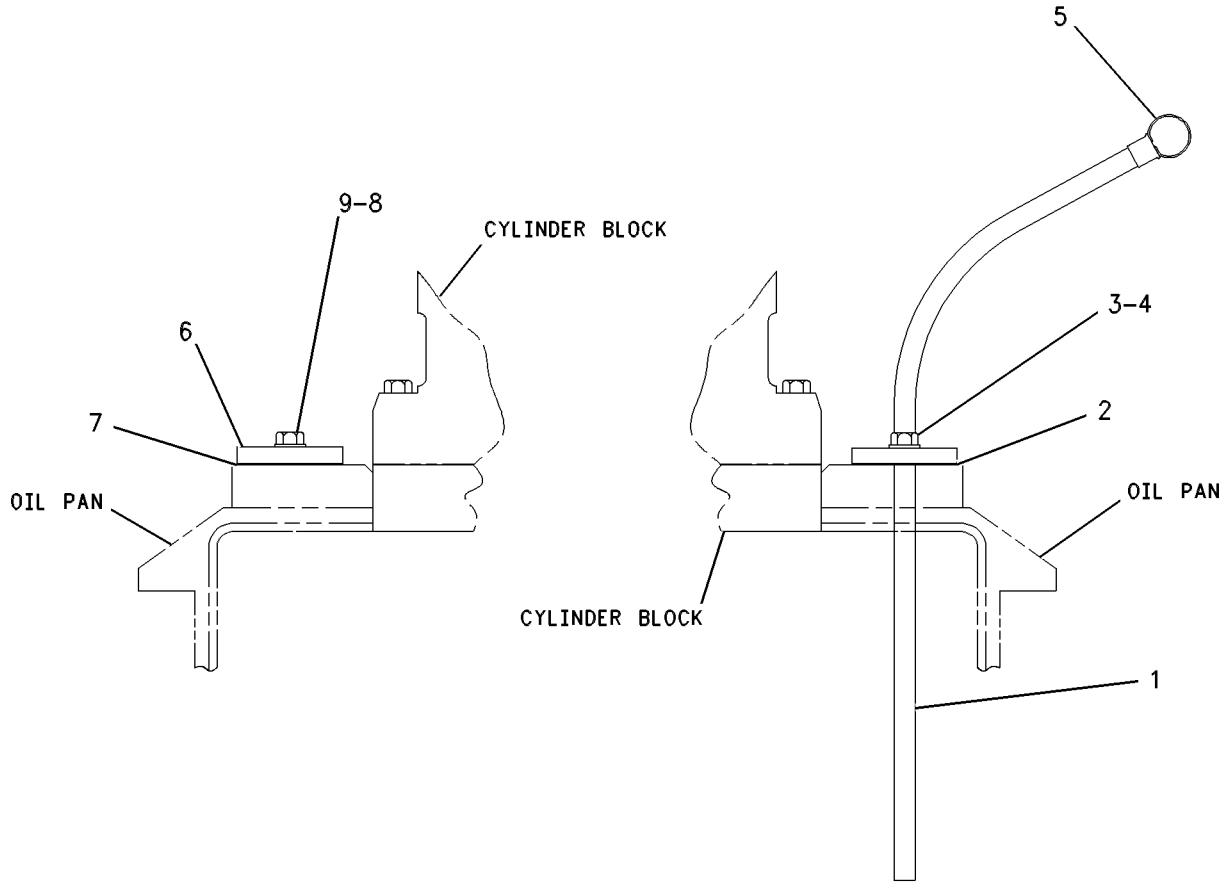
## 7C-6366 GAUGE GP-OIL LEVEL (DIPSTICK) AN ATTACHMENT

SMCS-1326

i06702334

NOTE	REF NO	GRAPHIC REF	PART NUMBER	QTY	PART NAME						SEE PAGE
					1	2	3	4	5	6 (PRODUCT LEVEL)	
	1	1	<b>7E-0467</b>	1	TUBE AS-OIL GAUGE						
	2	1	<b>9L-1480</b>	1	GASKET						
	3	1	<b>0S-1594</b>	2	BOLT (3/8-16X1-IN)						
	4	1	<b>5M-2894</b>	2	WASHER-HARD (10.2X18.5X2.5-MM THK)						
	5	1	<b>4P-3784</b>	1	GAUGE AS-OIL LEVEL (DIPSTICK) (ENGINE)						
B	6	1	<b>4B-3140</b>	1	COVER						
B	7	1	<b>9L-1480</b>	1	GASKET						
B	8	1	<b>0S-1594</b>	2	BOLT (3/8-16X1-IN)						
B	9	1	<b>5M-2894</b>	2	WASHER-HARD (10.2X18.5X2.5-MM THK)						

B - USE AS REQUIRED



GRAPHIC #1

<END>

g00614582

# LUBRICATION SYSTEM

## 7C-9784 GAUGE GP-OIL LEVEL (DIPSTICK)-DEEP SUMP

S/N: 50Y727-1304; 66Z247-578

ENGINE

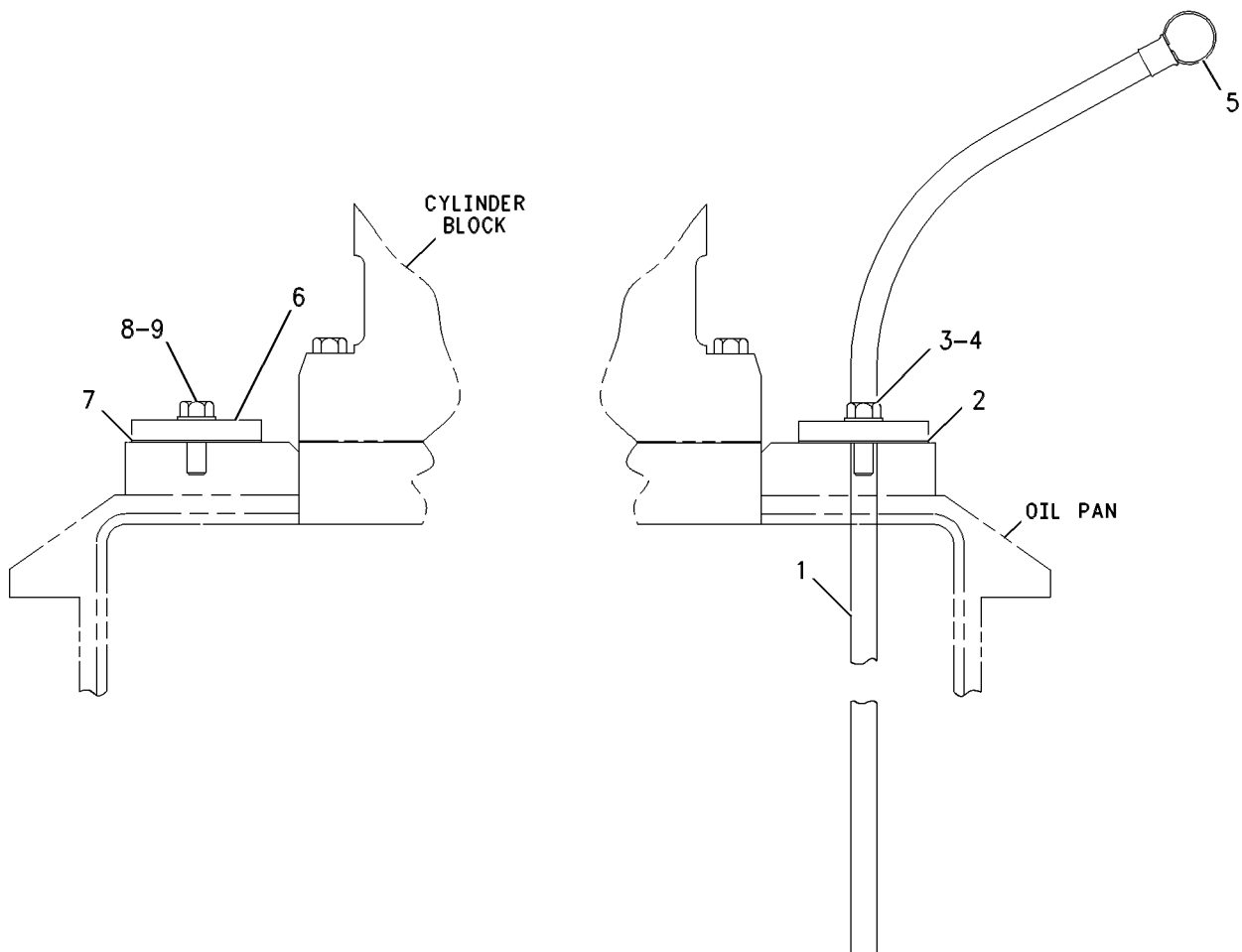
PART OF 357-0858, 376-4849 ENGINE AR-COMPLETE

SMCS - 1326

i06702872

NOTE	REF NO	GRAPHIC REF	PART NUMBER	QTY	PART NAME						SEE PAGE
					1	2	3	4	5	6 (PRODUCT LEVEL)	
	1	1	<b>7E-0467</b>	1	TUBE AS-OIL GAUGE						
	2	1	<b>9L-1480</b>	1	GASKET						
	3	1	<b>0S-1594</b>	2	BOLT (3/8-16X1-IN)						
	4	1	<b>5M-2894</b>	2	WASHER-HARD (10.2X18.5X2.5-MM THK)						
	5	1	<b>7C-9786</b>	1	GAUGE AS-OIL LEVEL (DIPSTICK) (DEEP SUMP)						
B	6	1	<b>4B-3140</b>	1	COVER						
B	7	1	<b>9L-1480</b>	1	GASKET						
B	8	1	<b>0S-1594</b>	2	BOLT (3/8-16X1-IN)						
B	9	1	<b>5M-2894</b>	2	WASHER-HARD (10.2X18.5X2.5-MM THK)						

B - USE AS REQUIRED



GRAPHIC #1

<END>

g00618660

# LUBRICATION SYSTEM

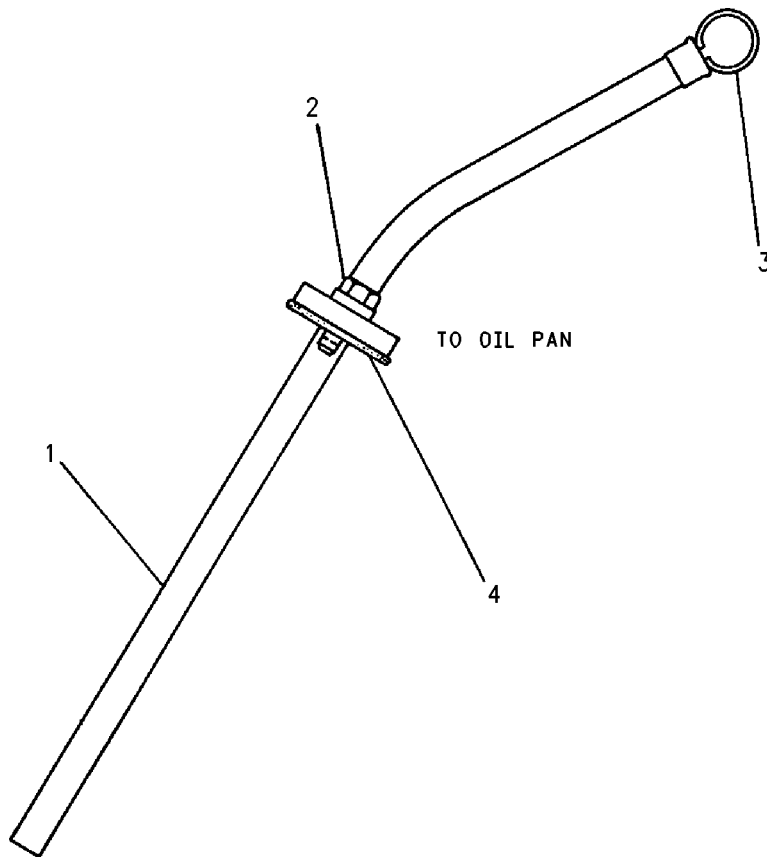
## 8N-7232 GAUGE GP-OIL LEVEL (DIPSTICK)

S/N: 50Y647-726; 66Z190-246  
FOR USE WITH DEEP FABRICATED OIL PAN

SMCS-1326

i01344403

NOTE	REF NO	GRAPHIC REF	PART NUMBER	QTY	PART NAME						SEE PAGE
					1	2	3	4	5	6 (PRODUCT LEVEL)	
	1	1	<b>1N-3183</b>	1	TUBE AS-OIL GAUGE						
	2	1	<b>0S-1594</b>	2	BOLT (3/8-16X1-IN)						
		1	<b>5M-2894</b>	2	WASHER-HARD (10.2X18.5X2.5-MM THK)						
	3	1	<b>2W-0814</b>	1	GAUGE AS-OIL LEVEL (DIPSTICK)						
	4	1	<b>4F-3765</b>	1	GASKET-SHAFT						



GRAPHIC #1

<END>

g00710139

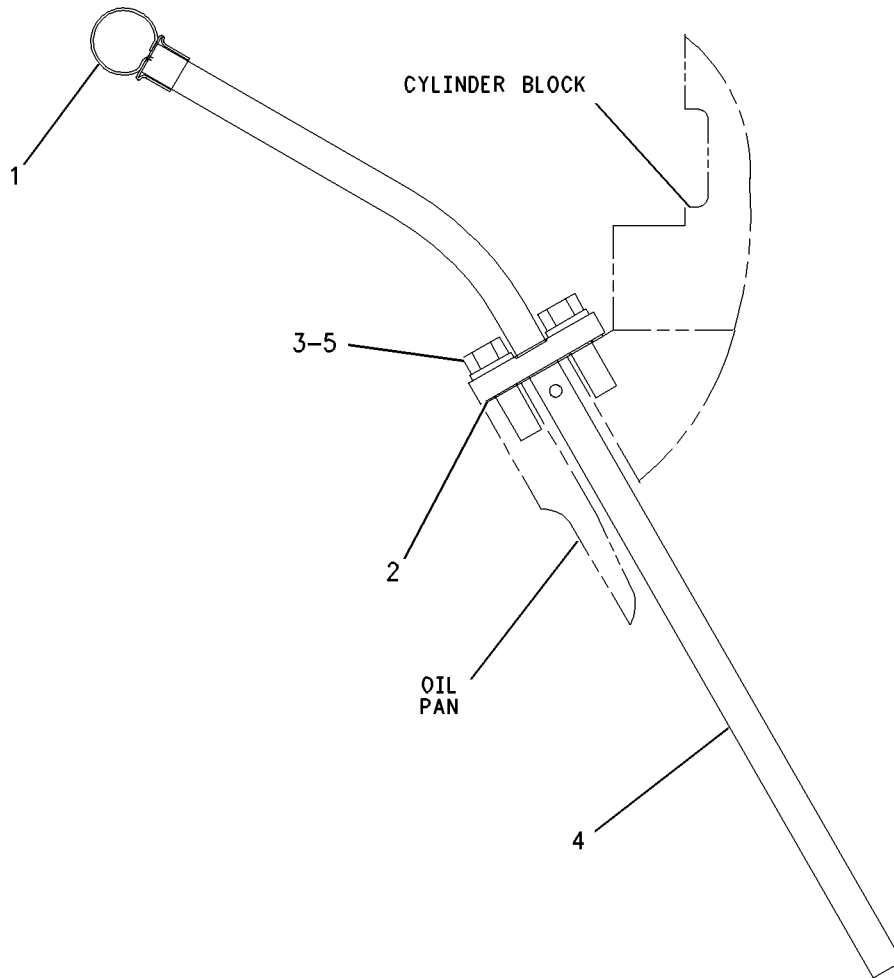
# LUBRICATION SYSTEM

## 8N-7707 GAUGE GP-OIL LEVEL (DIPSTICK) AN ATTACHMENT

SMCS-1326

i03129074

NOTE	REF NO	GRAPHIC REF	PART NUMBER	QTY	PART NAME						SEE PAGE
					1	2	3	4	5	6 (PRODUCT LEVEL)	
	1	1	<b>1W-7811</b>	1	GAUGE AS-OIL LEVEL (DIPSTICK)						
	2	1	<b>4F-3765</b>	1	GASKET-SHAFT						
	3	1	<b>5M-2894</b>	2	WASHER-HARD (10.2X18.5X2.5-MM THK)						
	4	1	<b>1N-4775</b>	1	TUBE AS-OIL GAUGE						
	5	1	<b>0S-1588</b>	2	BOLT (3/8-16X1.25-IN)						



GRAPHIC #1

<END>

g00775147

# LUBRICATION SYSTEM

## 235-4434 HOSE AS

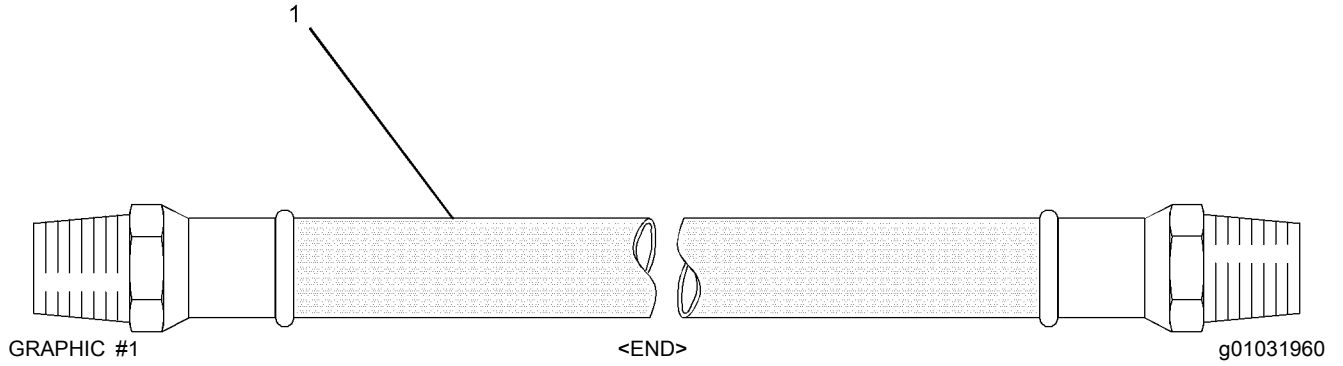
610-MM LENGTH  
FOR USE WITH LH MOUNTED SUMP PUMPS  
AN ATTACHMENT

SMCS-1307

i03117727

NOTE	REF NO	GRAPHIC REF	PART NUMBER	QTY	PART NAME						SEE PAGE
					1	2	3	4	5	6 (PRODUCT LEVEL)	
I	1	1	<b>3N-4869</b>	1	HOSE AS						

I - REFER TO HYDRAULIC INFORMATION SYSTEM



# LUBRICATION SYSTEM

## 3N-4512 HOSE AS\*I

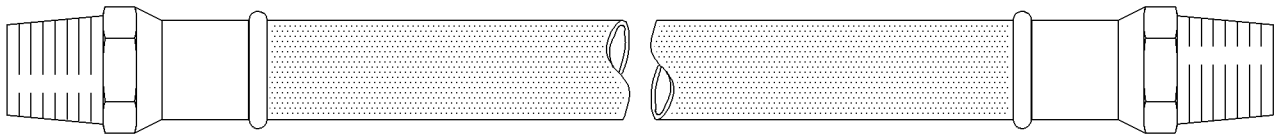
1220-MM LENGTH

FOR USAGE REFER TO CHART 7N-8698-PAGE: 2121  
AN ATTACHMENT

SMCS-1307

i01318422

NOTE	REF NO	GRAPHIC REF	PART NUMBER	QTY	PART NAME						SEE PAGE
					1	2	3	4	5	6 (PRODUCT LEVEL)	
(NO SERVICED PARTS)											



GRAPHIC #1

<END>

g00691548

# LUBRICATION SYSTEM

## 3N-4513 HOSE AS\*I

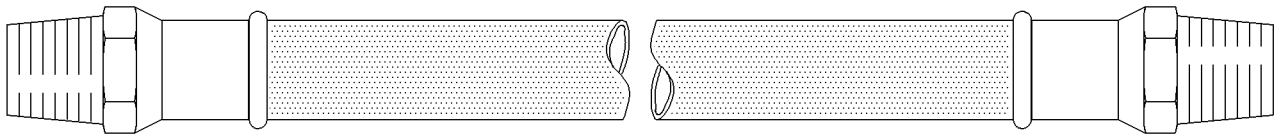
1830-MM LENGTH

FOR USAGE REFER TO CHART 7N-8698-PAGE: 2121  
AN ATTACHMENT

SMCS-1307

i01305106

NOTE	REF NO	GRAPHIC REF	PART NUMBER	QTY	PART NAME						SEE PAGE
					1	2	3	4	5	6 (PRODUCT LEVEL)	
(NO SERVICED PARTS)											



GRAPHIC #1

<END>

g00691641

# LUBRICATION SYSTEM

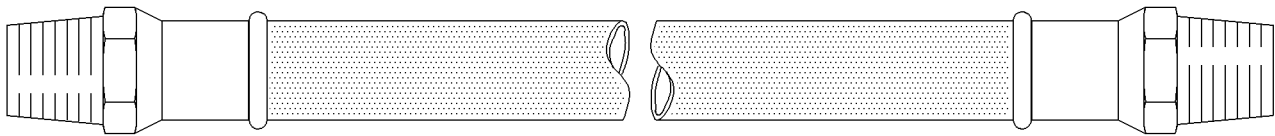
## 3N-4522 HOSE AS\*I

1525-MM  
AN ATTACHMENT

SMCS-1307

i02642323

NOTE	REF NO	GRAPHIC REF	PART NUMBER	QTY	PART NAME	SEE PAGE
					1 2 3 4 5 6 (PRODUCT LEVEL)	
(NO SERVICED PARTS)						



GRAPHIC #1

<END>

g00691548



# LUBRICATION SYSTEM

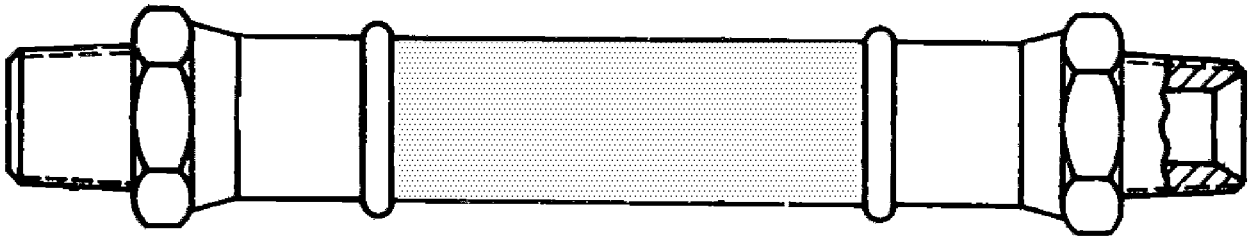
## 3N-4793 HOSE AS\*I AN ATTACHMENT

SMCS-1307

i01379987

NOTE	REF NO	GRAPHIC REF	PART NUMBER	QTY	PART NAME	SEE PAGE
------	--------	-------------	-------------	-----	-----------	----------

(NO SERVICED PARTS)



GRAPHIC #1

<END>

g00728916

# LUBRICATION SYSTEM

## 3N-4868 HOSE AS\*I

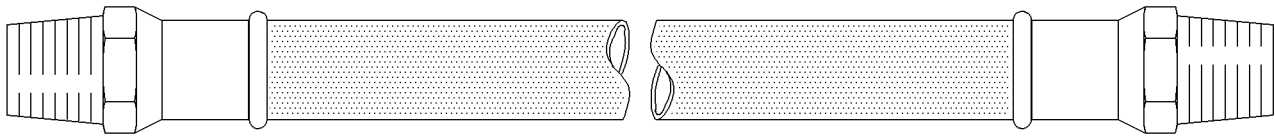
915-MM LENGTH

FOR USAGE REFER TO CHART 7N-8698-PAGE: 2121  
AN ATTACHMENT

SMCS-1307

i01305109

NOTE	REF NO	GRAPHIC REF	PART NUMBER	QTY	PART NAME						SEE PAGE
					1	2	3	4	5	6 (PRODUCT LEVEL)	
(NO SERVICED PARTS)											



GRAPHIC #1

<END>

g00691548

# LUBRICATION SYSTEM

## 3N-4869 HOSE AS\*I

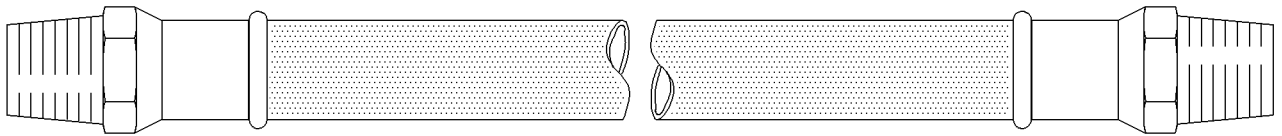
610-MM LENGTH

FOR USAGE REFER TO CHART 7N-8698-PAGE: 2121  
AN ATTACHMENT

SMCS-1307

i01318430

NOTE	REF NO	GRAPHIC REF	PART NUMBER	QTY	PART NAME						SEE PAGE
					1	2	3	4	5	6 (PRODUCT LEVEL)	
(NO SERVICED PARTS)											



GRAPHIC #1

<END>

g00691548

# LUBRICATION SYSTEM

## 3N-4905 HOSE AS\*I

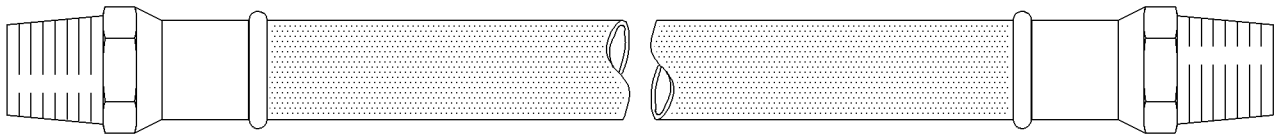
762-MM LENGTH

FOR USAGE REFER TO CHART 7N-8698-PAGE: 2121  
AN ATTACHMENT

SMCS-1307

i01406072

NOTE	REF NO	GRAPHIC REF	PART NUMBER	QTY	PART NAME						SEE PAGE
					1	2	3	4	5	6 (PRODUCT LEVEL)	
(NO SERVICED PARTS)											



GRAPHIC #1

<END>

g00691548

# LUBRICATION SYSTEM

## 3N-4907 HOSE AS\*I

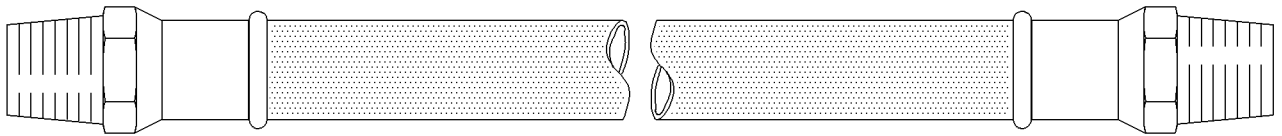
1422-MM LENGTH

FOR USAGE REFER TO CHART 7N-8698-PAGE: 2121  
AN ATTACHMENT

SMCS-1307

i01318432

NOTE	REF NO	GRAPHIC REF	PART NUMBER	QTY	PART NAME						SEE PAGE
					1	2	3	4	5	6 (PRODUCT LEVEL)	
(NO SERVICED PARTS)											



GRAPHIC #1

<END>

g00691548

# LUBRICATION SYSTEM

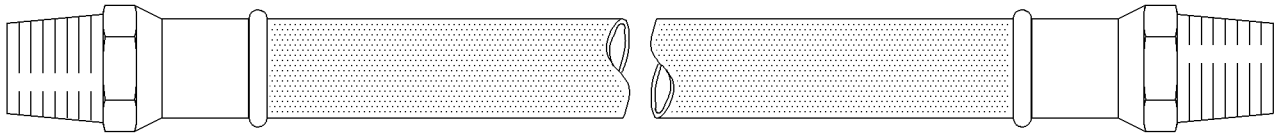
## 3N-7361 HOSE AS\*I

712-MM  
AN ATTACHMENT

SMCS-1307

i01449559

NOTE	REF NO	GRAPHIC REF	PART NUMBER	QTY	PART NAME	SEE PAGE
					1 2 3 4 5 6 (PRODUCT LEVEL)	
(NO SERVICED PARTS)						



GRAPHIC #1

<END>

g00691548

# LUBRICATION SYSTEM

## 6F-5985 HOSE AS\*I

304.8-MM LENGTH

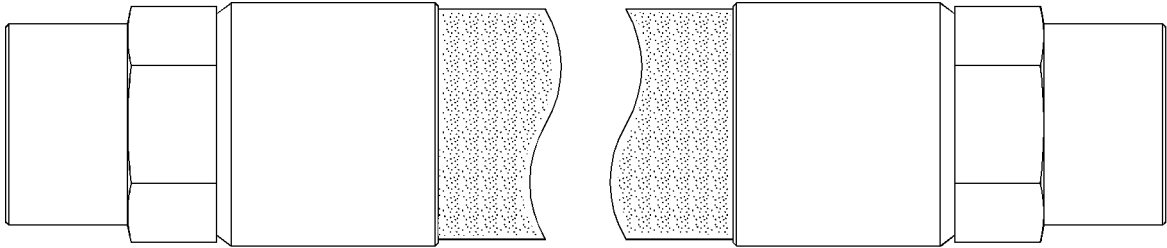
AN ATTACHMENT

SMCS-1307

i02112921

NOTE	REF NO	GRAPHIC REF	PART NUMBER	QTY	PART NAME	SEE PAGE
					1 2 3 4 5 6 (PRODUCT LEVEL)	

(NO SERVICED PARTS)



GRAPHIC #1

<END>

g01078878

# LUBRICATION SYSTEM

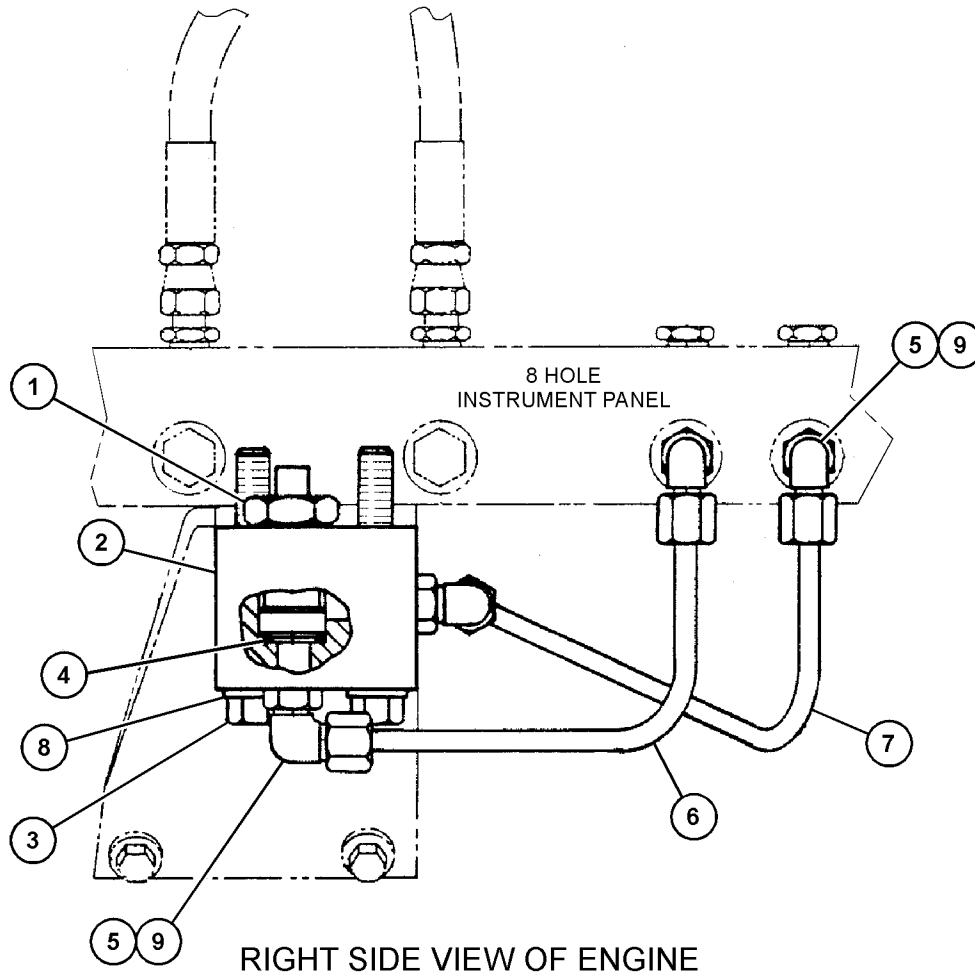
## 7C-4350 INDICATOR GP-OIL FILTER CHANGE

FOR USE WITH 8-GAUGE ENGINE OR REMOTE MOUNTED INSTRUMENT PANELS WHEN USED WITH  
MARINE GEAR OIL GAUGES  
AN ATTACHMENT

SMCS-1308, 7475

i06732512

NOTE	REF NO	GRAPHIC REF	PART NUMBER	QTY	PART NAME						SEE PAGE
					1	2	3	4	5	6 (PRODUCT LEVEL)	
	1	1	<b>6J-0468</b>	1	INDICATOR AS (ENGINE OIL)						
		1	<b>2M-9780</b>	1	SEAL-O-RING						
2		1	<b>7C-5015</b>	1	BLOCK						
3		1	<b>0T-0573</b>	2	BOLT (3/8-16X2.75-IN)						
4		1	<b>5P-0840</b>	1	SEAL-O-RING						
5		1	<b>030-7946</b>	4	ELBOW						
6		1	<b>7C-4128</b>	1	TUBE AS-OIL (UNFILTERED OIL)						
7		1	<b>7C-4130</b>	1	TUBE AS-OIL (FILTERED OIL)						
8		1	<b>5M-2894</b>	2	WASHER-HARD (10.2X18.5X2.5-MM THK)						
9		1	<b>214-7566</b>	4	SEAL-O-RING						



GRAPHIC #1

<END>

g06098544



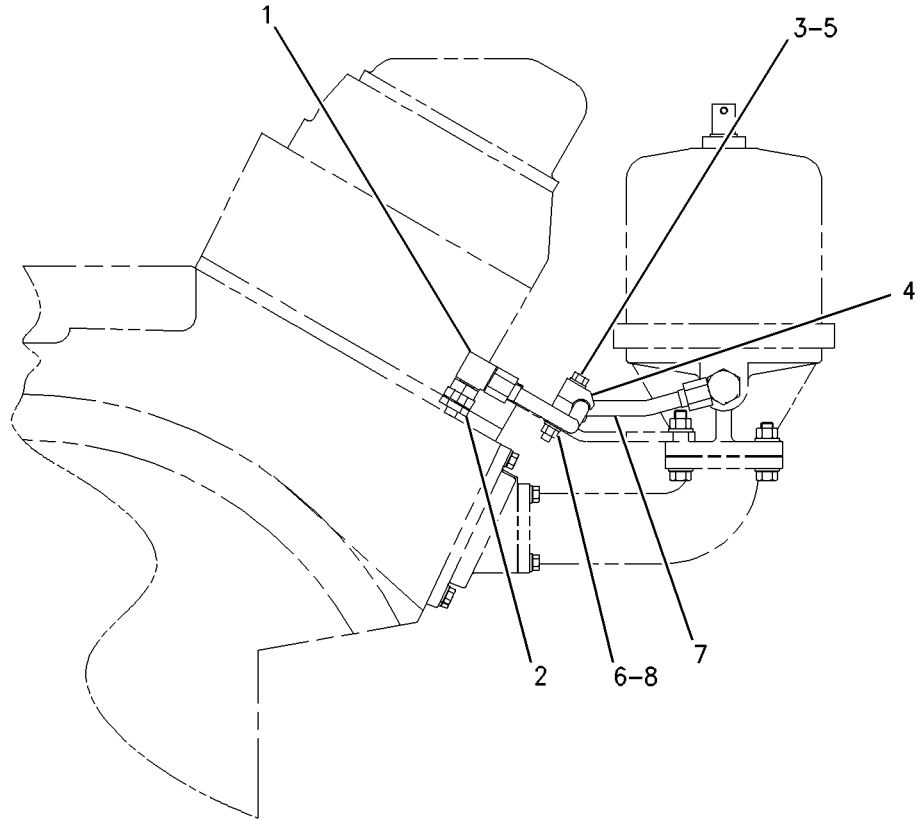
# LUBRICATION SYSTEM

## 148-8007 LINES GP-CENTRIFUGAL FILTER AN ATTACHMENT

SMCS-1328

i01759535

NOTE	REF NO	GRAPHIC REF	PART NUMBER	QTY	PART NAME						SEE PAGE
					1	2	3	4	5	6 (PRODUCT LEVEL)	
	1	1	<b>8K-2396</b>	1	ELBOW-FLARED						
	2	1	<b>061-9463</b>	1	CONNECTOR (FLARED)						
	3	1	<b>0T-0573</b>	2	BOLT (3/8-16X2.75-IN)						
	4	1	<b>4P-0692</b>	4	CLAMP AS						
					(EACH INCLUDES)						
		1	<b>108-1434</b>	1	GROMMET						
	5	1	<b>5M-2894</b>	2	WASHER-HARD (10.2X18.5X2.5-MM THK)						
	6	1	<b>9S-8752</b>	2	NUT-FULL (3/8-16-THD)						
	7	1	<b>150-4157</b>	1	TUBE AS						
	8	1	<b>9X-6458</b>	2	WASHER-HARD (10.2X22.5X3-MM THK)						



FRONT VIEW

GRAPHIC #1

<END>

g00812862

# LUBRICATION SYSTEM

## 242-6277 LINES GP-ENGINE OIL

S/N: 50Y647-1304

PART OF 357-0858 ENGINE AR-COMplete

SMCS-1307

i04556921

NOTE	REF NO	GRAPHIC REF	PART NUMBER	QTY	PART NAME						SEE PAGE
					1	2	3	4	5	6	
	1	1	<b>1N-3333</b>	1	TUBE						
	2	2	<b>2W-1635</b>	1	SPRING						
	3	2	<b>2W-1969</b>	1	VALVE-BYPASS (OIL COOLER)						
	4	2	<b>359-4123</b>	1	ADAPTER						
	5	2	<b>4S-5719</b>	1	SPACER (10.31X25X12.7-MM THK)						
	6	2	<b>4W-4313</b>	1	ADAPTER						
	7	1	<b>4W-4677</b>	1	TUBE						
	8	1	<b>4W-5597</b>	1	COVER						
	9	1	<b>6B-0933</b>	4	SPACER (10.31X19.05X6.35-MM THK)						
	10	1	<b>6B-9202</b>	2	SPRING						
	11	2	<b>7C-9217</b>	1	ELBOW (OIL COOLER BYPASS)						
	12	2	<b>7E-6369</b>	1	BRACKET						
	13	1	<b>369-9509</b>	1	ELBOW-OIL COOLER						
	14	1	<b>7N-5416</b>	1	ELBOW (OUTLET)						
	15	1	<b>7N-7697</b>	2	PLUNGER AS						
					(EACH INCLUDES)						
		1	<b>7M-1808</b>	1	DOWEL						
C	16	2	<b>8C-3445</b>	1	CAP-DUST						
	17	2	<b>8N-1991</b>	1	RING-RETAINING						
	18	2	<b>8N-1992</b>	2	RETAINER						
	19	1	<b>8N-2929</b>	2	COVER						
	20	1	<b>100-8075</b>	1	CLAMP AS						
	21	2	<b>111-3820</b>	1	RING-RETAINING						
	22	2	<b>365-4215</b>	1	ADAPTER						
C	23	2	<b>253-4777</b>	1	TUBE AS						
	24	1	<b>264-0450</b>	1	CLAMP AS						
	25	2	<b>6V-4368</b>	4	SEAL-O-RING						
	26	2	<b>0L-1143</b>	4	BOLT (3/8-16X2.5-IN)						
	27	2	<b>0L-1352</b>	1	BOLT (3/8-16X3.25-IN)						
C	28	1	<b>0S-1571</b>	2	BOLT (3/8-16X1.75-IN)						
	29	1,2	<b>0S-1588</b>	11	BOLT (3/8-16X1.25-IN)						
	30	2	<b>0S-1590</b>	2	BOLT (3/8-16X2-IN)						
	31	2	<b>0S-1591</b>	2	BOLT (3/8-16X1.5-IN)						
	32	1,2	<b>0S-1594</b>	14	BOLT (3/8-16X1-IN)						
	33	2	<b>0T-0065</b>	4	BOLT (3/8-16X3.5-IN)						
	34	1,2	<b>109-2332</b>	6	SEAL-O-RING						
	35	2	<b>3B-1915</b>	1	BOLT (3/8-16X1.375-IN)						
	37	1,2	<b>3P-0655</b>	3	SEAL-O-RING						
	38	1	<b>4B-3140</b>	1	COVER						
	39	2	<b>4W-5596</b>	1	COVER						
	40	2	<b>5F-4899</b>	1	BOLT (3/8-16X5.5-IN)						
C	41	1,2	<b>5M-2894</b>	17	WASHER-HARD (10.2X18.5X2.5-MM THK)						
	42	2	<b>5P-4892</b>	3	SEAL-O-RING						
	43	1	<b>5P-5846</b>	1	SEAL-O-RING						
	44	1	<b>228-7097</b>	1	SEAL-O-RING						
	45	2	<b>6V-0267</b>	1	CLIP (TAB)						
	46	2	<b>6V-0268</b>	1	CLIP (SLOT)						
	47	1	<b>6V-3908</b>	1	SEAL-O-RING						

# LUBRICATION SYSTEM

242-6277 **LINES GP-ENGINE OIL** (contd.)

**i04556921**

NOTE	REF NO	GRAPHIC REF	PART NUMBER	QTY	PART NAME						SEE PAGE
					1	2	3	4	5	6 (PRODUCT LEVEL)	
	48	2	<b>6V-4589</b>	2	SEAL-O-RING						
	49	2	<b>6V-5048</b>	2	SEAL-O-RING						
C	50	2	<b>8C-3446</b>	1	VALVE-SAMPLING						
BC	51	1	<b>8T-6765</b>	1	PLUG-PIPE (1/4-18-THD)						
	52	2	<b>9S-4182</b>	1	PLUG (7/16-20-THD)						
	53	2	<b>9S-4190</b>	2	PLUG-O-RING (7/8-14-THD)						
	54	2	<b>9S-8752</b>	1	NUT-FULL (3/8-16-THD)						
	55	2	<b>2W-1053</b>	1	PLUG						
B	58	2	<b>6V-4589</b>	1	SEAL-O-RING						
B	59	1	<b>8T-6762</b>	1	PLUG-PIPE (1/2-14-THD)						
B	60	2	<b>9S-4190</b>	1	PLUG-O-RING (7/8-14-THD)						

B - USE AS REQUIRED

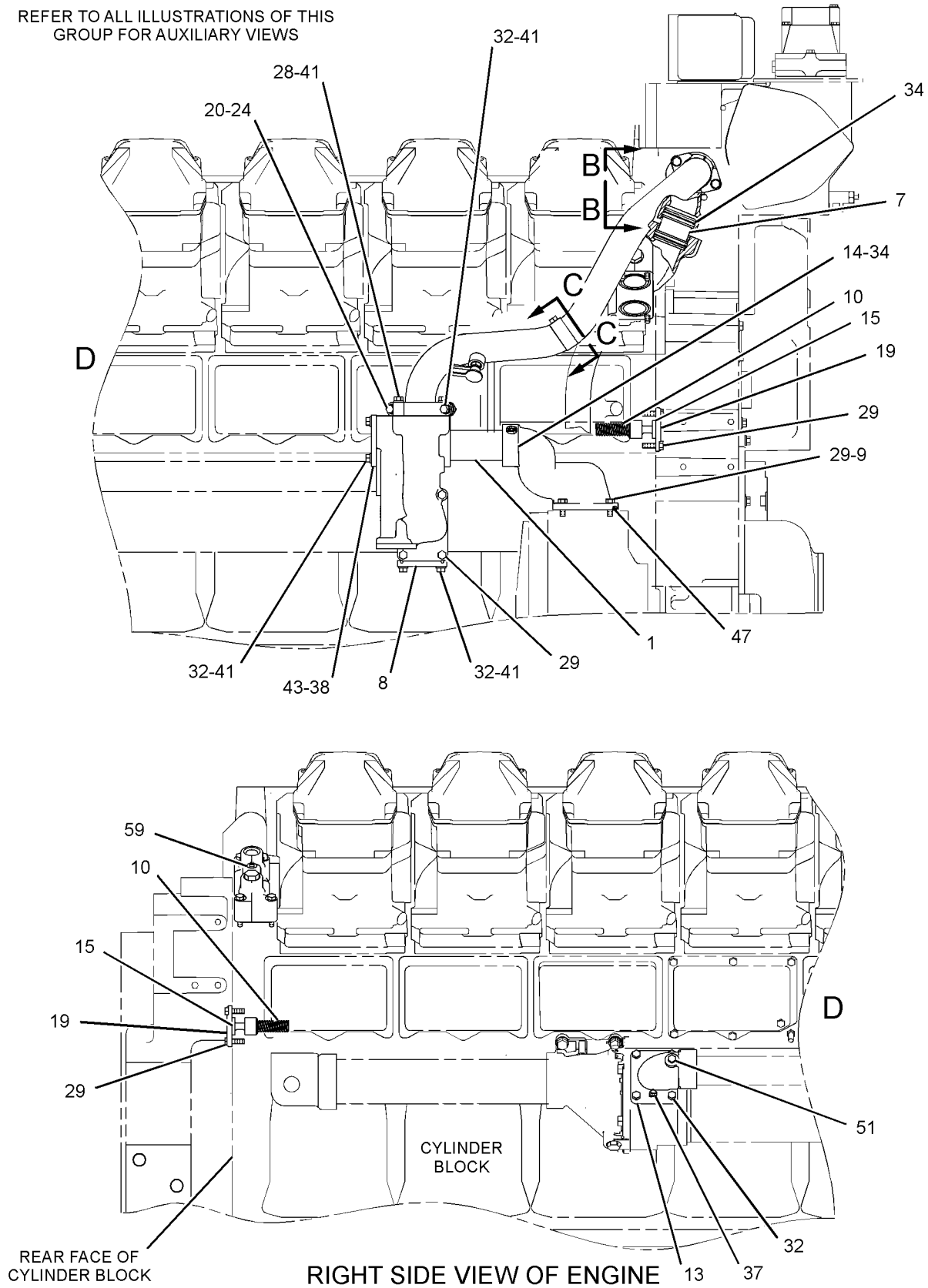
C - CHANGE FROM PREVIOUS TYPE

# LUBRICATION SYSTEM

242-6277 LINES GP-ENGINE OIL (contd.)

i04556921

REFER TO ALL ILLUSTRATIONS OF THIS GROUP FOR AUXILIARY VIEWS



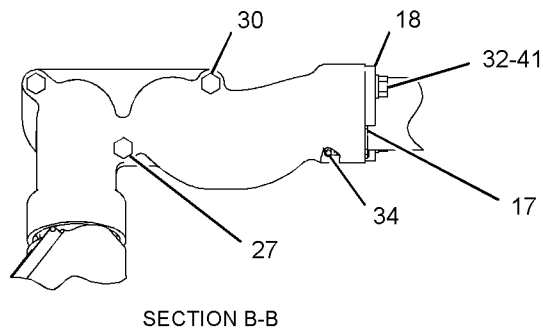
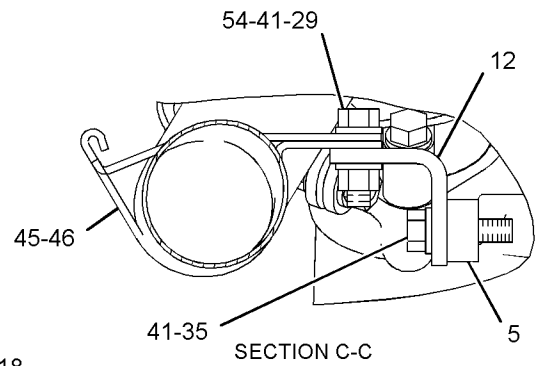
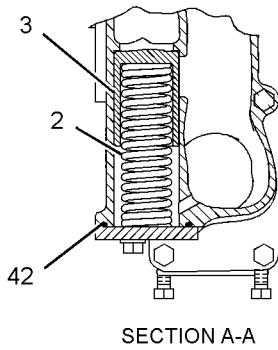
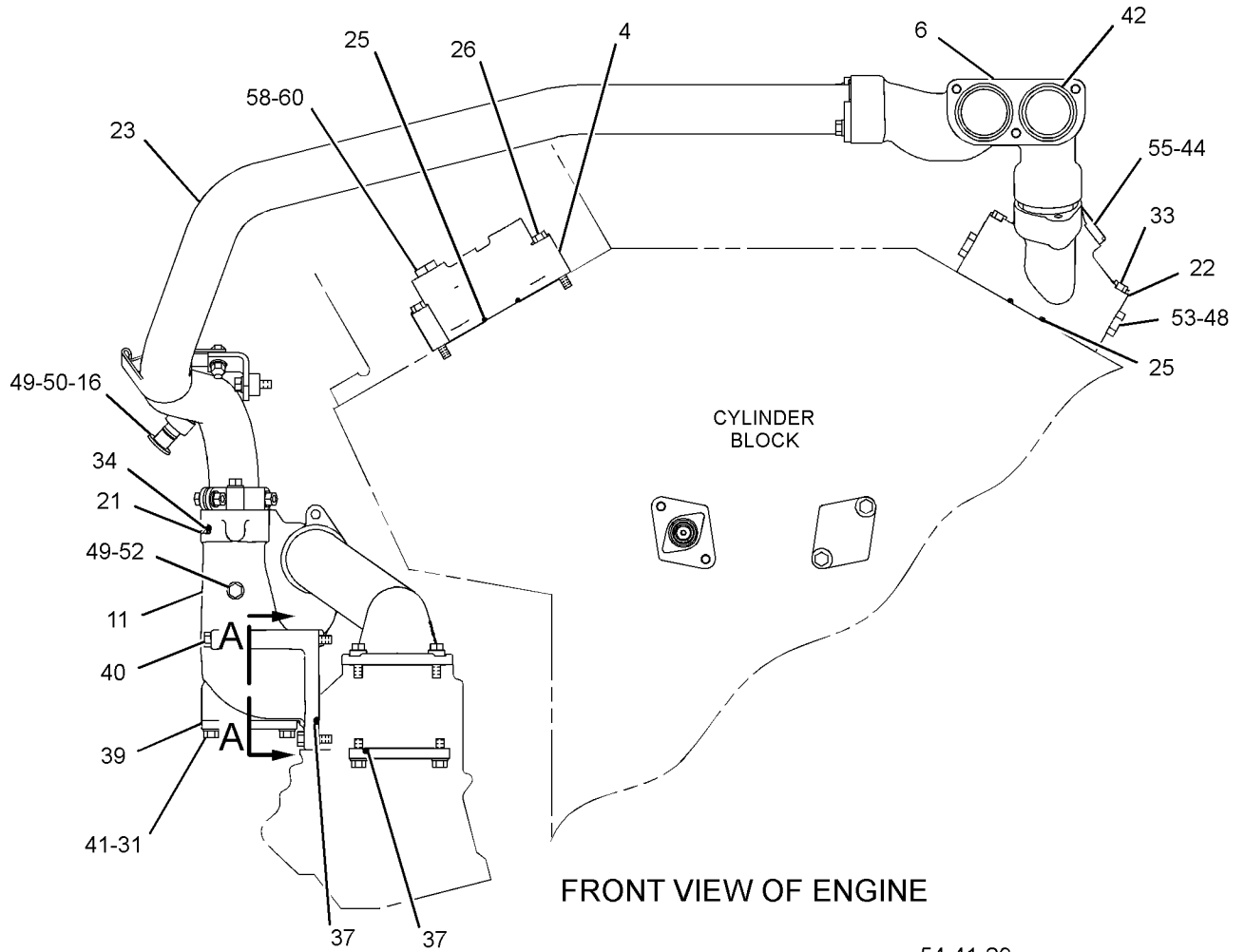
GRAPHIC #1

g01812813

# LUBRICATION SYSTEM

242-6277 LINES GP-ENGINE OIL (contd.)

i04556921



GRAPHIC #2

<END>

g02726818

# LUBRICATION SYSTEM

## 4W-6062 LINES GP-ENGINE OIL

S/N: 50Y723-1304; 66Z190-578

SMCS - 1307

i05657771

NOTE	REF NO	GRAPHIC REF	PART NUMBER	QTY	PART NAME						SEE PAGE
					1	2	3	4	5	6 (PRODUCT LEVEL)	
	1	1	<b>7N-5416</b>	1	ELBOW (OUTLET)						
	2	1	<b>6V-3908</b>	1	SEAL-O-RING						
	3	1	<b>0S-1594</b>	18	BOLT (3/8-16X1-IN)						
	4	1	<b>1N-3333</b>	1	TUBE						
	5	1	<b>109-2332</b>	6	SEAL-O-RING						
	6	1	<b>7C-9217</b>	1	ELBOW (OIL COOLER BYPASS)						
	7	1	<b>5F-4899</b>	1	BOLT (3/8-16X5.5-IN)						
	8	1	<b>2W-1635</b>	1	SPRING						
	9	1	<b>2W-1969</b>	1	VALVE-BYPASS (OIL COOLER)						
	10	1	<b>4W-5596</b>	1	COVER (BY-PASS VALVE)						
	11	1	<b>5M-2894</b>	17	WASHER-HARD (10.2X18.5X2.5-MM THK)						
	12	1	<b>5P-5846</b>	1	SEAL-O-RING						
	13	1	<b>0S-1590</b>	2	BOLT (3/8-16X2-IN)						
	14	1	<b>4B-3140</b>	1	COVER						
	15	1	<b>7N-5413</b>	1	ELBOW						
	16	1	<b>3P-0655</b>	3	SEAL-O-RING						
	17	1	<b>8T-6765</b>	1	PLUG-PIPE (1/4-18-THD)						
	18	1	<b>4W-5597</b>	1	COVER						
	19	1	<b>0L-1143</b>	4	BOLT (3/8-16X2.5-IN)						
	20	1	<b>100-8075</b>	2	CLAMP AS						
	21	1	<b>0S-1571</b>	2	BOLT (3/8-16X1.75-IN)						
	22	1	<b>9S-8752</b>	2	NUT-FULL (3/8-16-THD)						
	23	1	<b>4W-6066</b>	1	TUBE						
	24	1	<b>6V-0267</b>	1	CLIP (TAB)						
	25	1	<b>6V-0268</b>	1	CLIP (SLOT)						
	26	1	<b>3H-7131</b>	1	LUG						
	27	1	<b>3B-1915</b>	1	BOLT (3/8-16X1.375-IN)						
	28	1	<b>4W-4313</b>	1	ADAPTER						
	29	1	<b>107-7348</b>	1	ADAPTER						
	30	1	<b>4W-4677</b>	1	TUBE						
	31	1	<b>0T-0065</b>	4	BOLT (3/8-16X3.5-IN)						
	32	1	<b>2B-0858</b>	2	PLUG-PIPE						
	33	1	<b>061-9456</b>	4	SEAL-O-RING						
	34	1	<b>5P-4892</b>	3	SEAL-O-RING						
	35	1	<b>7N-7697</b>	2	PLUNGER AS (SEQUENCE VALVE)						
					(EACH INCLUDES)						
		1	<b>7M-1808</b>	1	DOWEL						
	36	1	<b>6B-9202</b>	2	SPRING						
	37	1	<b>8N-2929</b>	2	COVER						
	38	1	<b>0S-1588</b>	6	BOLT (3/8-16X1.25-IN)						
	39	1	<b>2W-7226</b>	1	ADAPTER						
	40	1	<b>0S-1591</b>	2	BOLT (3/8-16X1.5-IN)						
	41	1	<b>9S-4190</b>	1	PLUG-O-RING (7/8-14-THD)						
	42	1	<b>6V-5048</b>	1	SEAL-O-RING						
	43	1	<b>9S-4182</b>	1	PLUG (7/16-20-THD)						
	44	1	<b>5P-7817</b>	1	SEAL-O-RING						
	45	1	<b>8N-1992</b>	2	RETAINER						
	46	1	<b>2W-1053</b>	1	PLUG						

# LUBRICATION SYSTEM

**4W-6062 LINES GP-ENGINE OIL (contd.)**

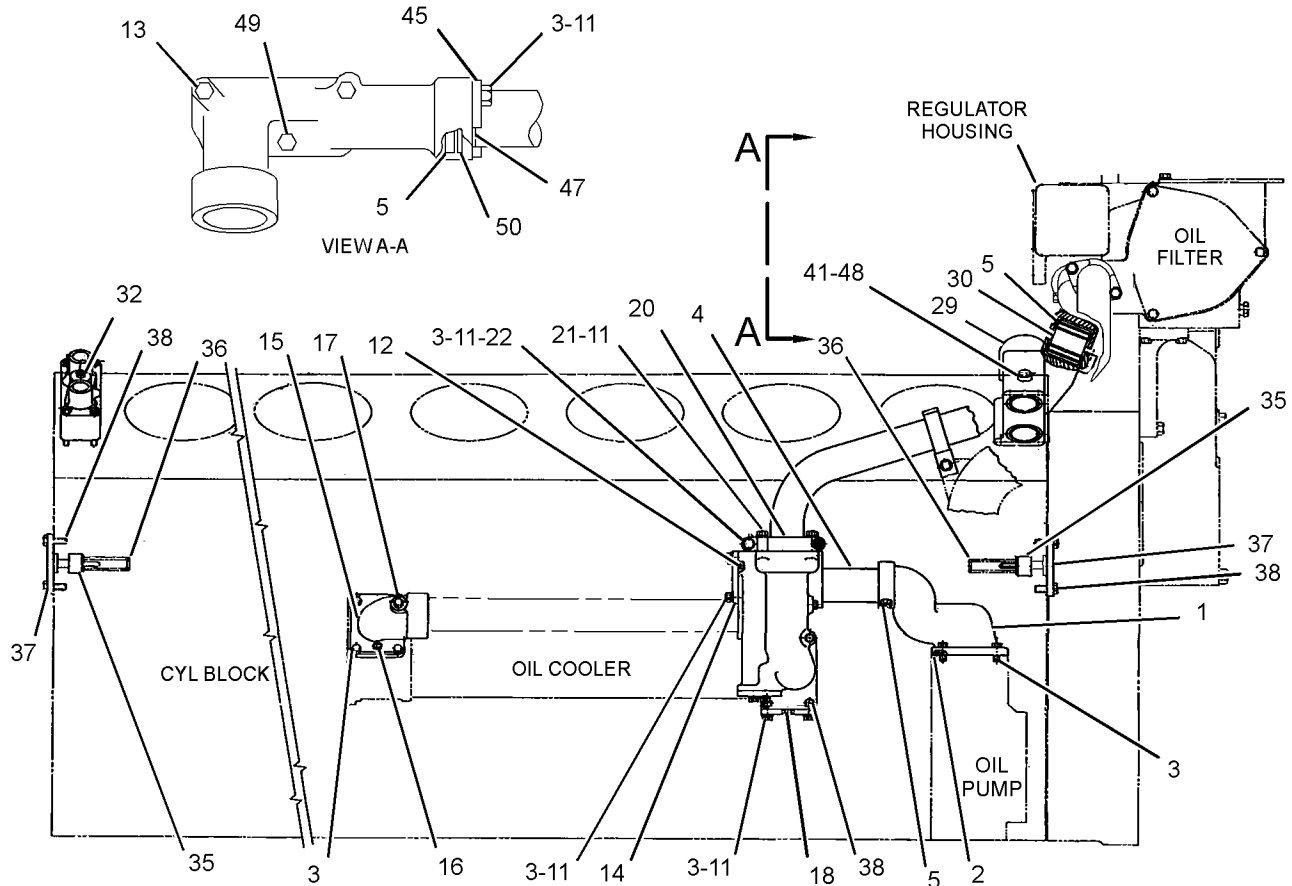
**i05657771**

NOTE	REF	GRAPHIC	PART NUMBER	QTY	PART NAME						SEE PAGE
	NO	REF			1	2	3	4	5	6 (PRODUCT LEVEL)	
	47	1	<b>8N-1991</b>	1	RING-RETAINING						
	48	1	<b>6V-4589</b>	1	SEAL-O-RING						
	49	1	<b>0L-1352</b>	1	BOLT (3/8-16X3.25-IN)						
	50	1	<b>111-3820</b>	2	RING-RETAINING						

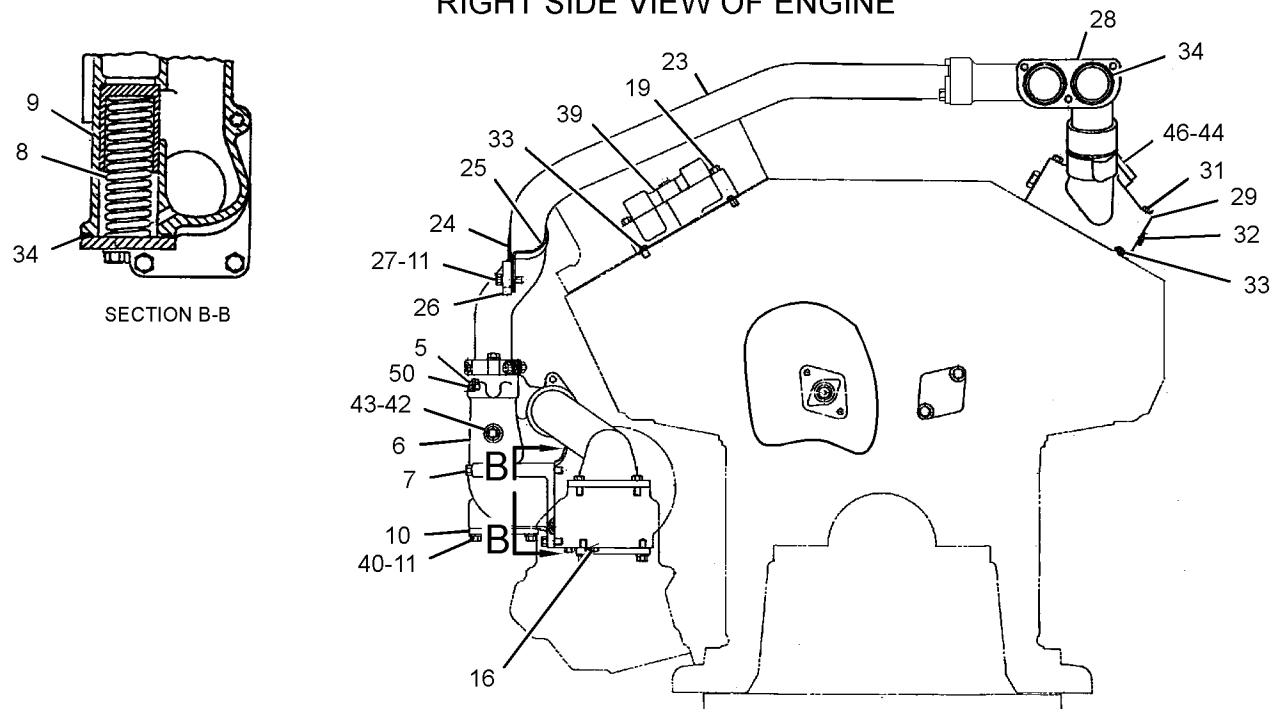
# LUBRICATION SYSTEM

4W-6062 LINES GP-ENGINE OIL (contd.)

i05657771



RIGHT SIDE VIEW OF ENGINE



FRONT VIEW OF ENGINE

GRAPHIC #1

<END>

g03589138



# LUBRICATION SYSTEM

## 4W-6062 LINES GP-ENGINE OIL

S/N: 50Y723-1304

SMCS-1307

i06760305

NOTE	REF NO	GRAPHIC REF	PART NUMBER	QTY	PART NAME						SEE PAGE
					1	2	3	4	5	6 (PRODUCT LEVEL)	
	1	1	<b>1N-3333</b>	1	TUBE						
C	2	1	<b>2W-1053</b>	1	PLUG						
	3	1	<b>2W-1635</b>	1	SPRING						
	4	1	<b>2W-1969</b>	1	VALVE-BYPASS (OIL COOLER)						
C	5	1	<b>359-4123</b>	1	ADAPTER						
	6	1	<b>3H-7131</b>	1	LUG						
	7	1	<b>4W-4313</b>	1	ADAPTER						
	8	1	<b>4W-4677</b>	1	TUBE						
	9	1	<b>4W-5597</b>	1	COVER						
	10	1	<b>4W-6066</b>	1	TUBE						
	11	1	<b>6B-0933</b>	4	SPACER (10.31X19.05X6.35-MM THK)						
	12	1	<b>6B-9202</b>	2	SPRING						
	13	1	<b>7C-9217</b>	1	ELBOW (OIL COOLER BYPASS)						
	14	1	<b>369-9509</b>	1	ELBOW-OIL COOLER						
	15	1	<b>7N-5416</b>	1	ELBOW (OUTLET)						
	16	1	<b>7N-7697</b>	2	PLUNGER AS (SEQUENCE VALVE)						
					(EACH INCLUDES)						
		1	<b>7M-1808</b>	1	DOWEL						
	17	1	<b>361-7097</b>	1	RING						
	18	1	<b>361-7098</b>	1	FLANGE						
	19	1	<b>8N-2929</b>	2	COVER						
	20	1	<b>100-8075</b>	1	CLAMP AS						
C	21	1	<b>365-4214</b>	1	ADAPTER						
	22	1	<b>111-3820</b>	1	RING-RETAINING						
	23	1	<b>264-0450</b>	1	CLAMP AS						
C	24	1	<b>6V-4368</b>	4	SEAL-O-RING						
	25	1	<b>0L-1143</b>	4	BOLT (3/8-16X2.5-IN)						
	27	1	<b>165-3931</b>	4	BOLT (3/8-16X1.75-IN)						
	28	1	<b>0S-1588</b>	10	BOLT (3/8-16X1.25-IN)						
	29	1	<b>0S-1590</b>	2	BOLT (3/8-16X2-IN)						
	30	1	<b>165-3929</b>	2	BOLT (3/8-16X1.5-IN)						
	31	1	<b>0S-1594</b>	12	BOLT (3/8-16X1-IN)						
	32	1	<b>0T-0065</b>	5	BOLT (3/8-16X3.5-IN)						
	33	1	<b>109-2332</b>	6	SEAL-O-RING						
	34	1	<b>3B-1915</b>	1	BOLT (3/8-16X1.375-IN)						
	35	1	<b>3P-0655</b>	3	SEAL-O-RING						
	36	1	<b>4B-3140</b>	1	COVER						
	37	1	<b>4W-5596</b>	1	COVER (BY-PASS VALVE)						
	38	1	<b>5F-4899</b>	1	BOLT (3/8-16X5.5-IN)						
	39	1	<b>5M-2894</b>	16	WASHER-HARD (10.2X18.5X2.5-MM THK)						
	40	1	<b>5P-4892</b>	3	SEAL-O-RING						
	41	1	<b>5P-5846</b>	1	SEAL-O-RING						
C	42	1	<b>228-7097</b>	1	SEAL-O-RING						
	43	1	<b>6V-0267</b>	1	CLIP (TAB)						
	44	1	<b>6V-0268</b>	1	CLIP (SLOT)						
	45	1	<b>6V-3908</b>	1	SEAL-O-RING						
	46	1	<b>6V-4589</b>	1	SEAL-O-RING						
	47	1	<b>6V-5048</b>	1	SEAL-O-RING						

# LUBRICATION SYSTEM

**4W-6062 LINES GP-ENGINE OIL (contd.)**

**i06760305**

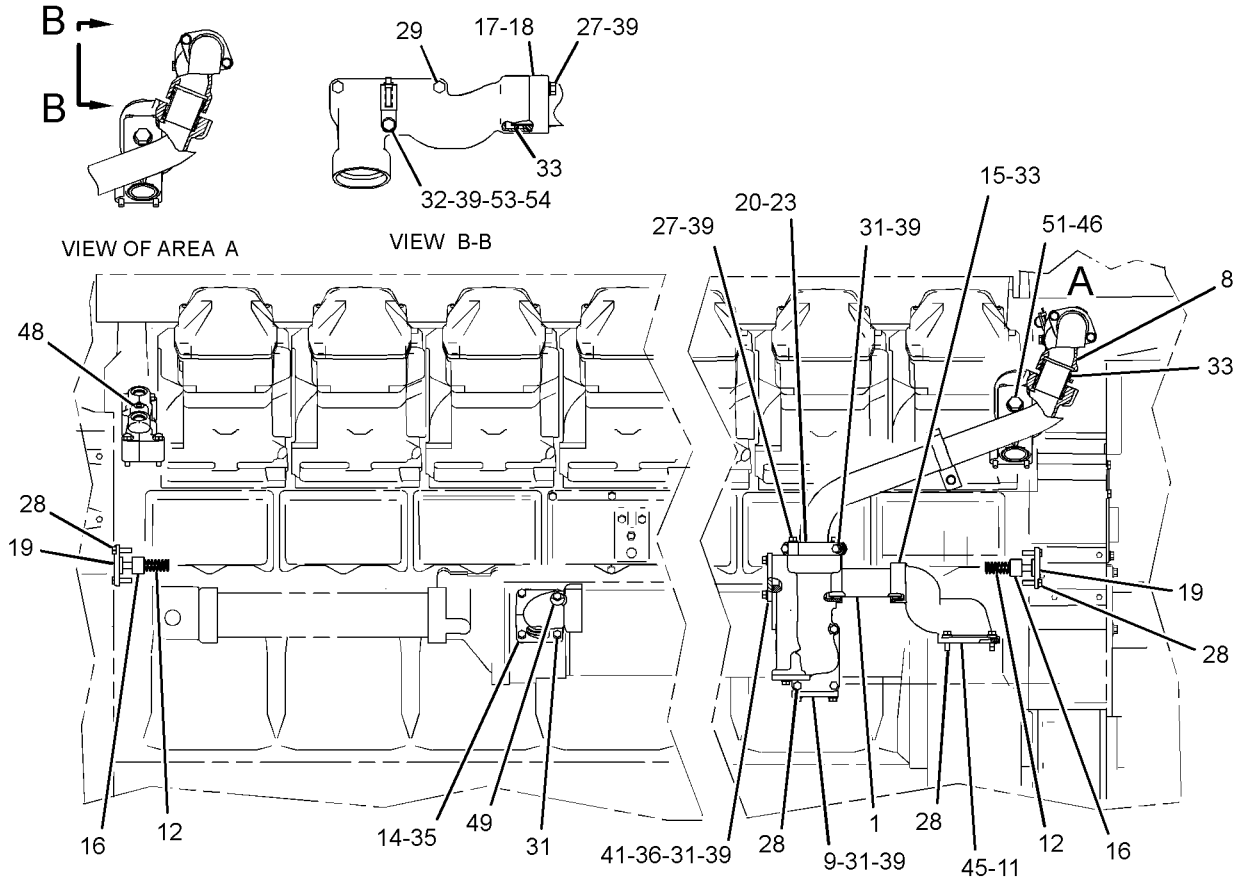
NOTE	REF NO	GRAPHIC REF	PART NUMBER	QTY	PART NAME						SEE PAGE
					1	2	3	4	5	6 (PRODUCT LEVEL)	
	48	1	<b>8T-6762</b>	1	PLUG-PIPE (1/2-14-THD)						
	49	1	<b>8T-6765</b>	1	PLUG-PIPE (1/4-18-THD)						
	50	1	<b>9S-4182</b>	1	PLUG (7/16-20-THD)						
	51	1	<b>9S-4190</b>	1	PLUG-O-RING (7/8-14-THD)						
B	52	1	<b>8T-6762</b>	1	PLUG-PIPE (1/2-14-THD)						
	53	1	<b>4P-7581</b>	1	CLIP (LADDER)						
	54	1	<b>9X-6772</b>	1	STRAP-CABLE						

B - USE AS REQUIRED  
 C - CHANGE FROM PREVIOUS TYPE

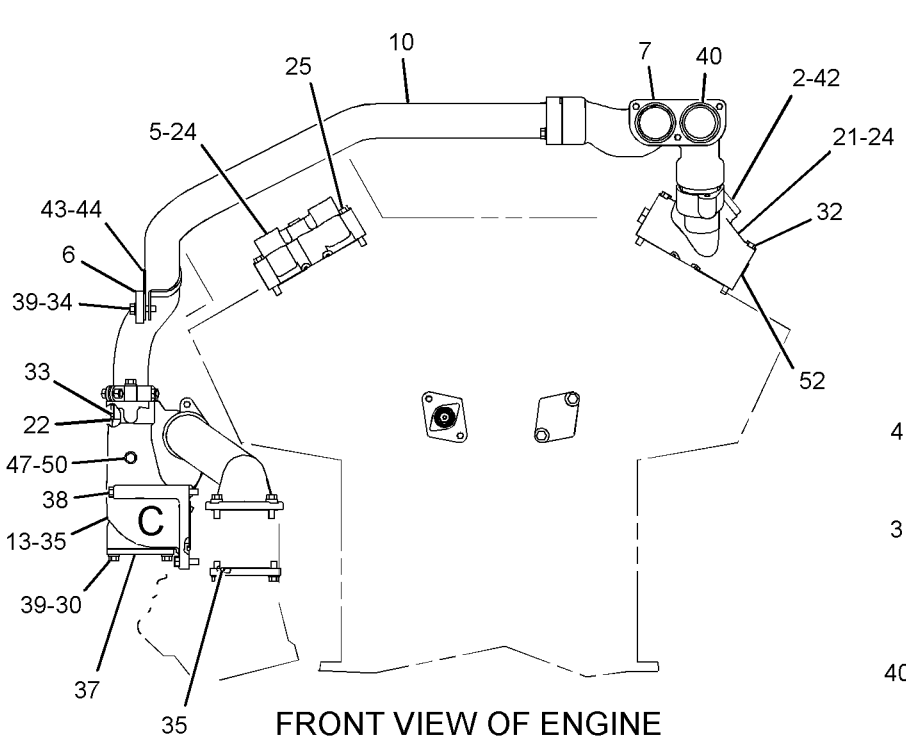
# LUBRICATION SYSTEM

4W-6062 LINES GP-ENGINE OIL (contd.)

106760305



RIGHT SIDE VIEW OF ENGINE



VIEW OF AREA C

FRONT VIEW OF ENGINE

SECTION D-D

GRAPHIC #1

<END>

g06145941

# LUBRICATION SYSTEM

## 7E-9252 LINES GP-ENGINE OIL

S/N: 50Y647-1304

PART OF 376-4849 ENGINE AR-COMPLETE

SMCS-1307

i06651881

NOTE	REF NO	GRAPHIC REF	PART NUMBER	QTY	PART NAME						SEE PAGE
					1	2	3	4	5	6 (PRODUCT LEVEL)	
	1	1	<b>1N-3333</b>	1	TUBE						
	2	2	<b>2W-1053</b>	2	PLUG						
	3	2	<b>359-4122</b>	1	ELBOW						
	4	2	<b>2W-1635</b>	1	SPRING						
	5	2	<b>2W-1969</b>	1	VALVE-BYPASS (OIL COOLER)						
	6	2	<b>3H-7131</b>	1	LUG						
	7	2	<b>4W-4313</b>	1	ADAPTER						
	8	1	<b>4W-4677</b>	1	TUBE						
	9	1	<b>4W-5597</b>	1	COVER						
	10	2	<b>4W-5890</b>	1	PLUG						
	11	1	<b>6B-9202</b>	2	SPRING						
	12	2	<b>7C-9217</b>	1	ELBOW (OIL COOLER BYPASS)						
	13	1	<b>369-9509</b>	1	ELBOW-OIL COOLER						
	14	1	<b>7N-5416</b>	1	ELBOW (OUTLET)						
	15	1	<b>7N-7697</b>	2	PLUNGER AS (SEQUENCE VALVE)						
					(EACH INCLUDES)						
		1	<b>7M-1808</b>	1	DOWEL						
	16	1	<b>8C-3445</b>	1	CAP-DUST						
	17	1	<b>361-7097</b>	1	RING						
	18	2	<b>8N-1992</b>	4	RETAINER						
	19	1	<b>8N-2929</b>	2	COVER						
	20	1	<b>100-8075</b>	1	CLAMP AS						
	21	2	<b>365-4214</b>	1	ADAPTER						
	22	2	<b>111-3820</b>	1	RING-RETAINING						
C	23	2	<b>253-4775</b>	1	TUBE AS						
	24	2	<b>6V-4368</b>	4	SEAL-O-RING						
	26	1	<b>165-3931</b>	4	BOLT (3/8-16X1.75-IN)						
	27	1	<b>0S-1588</b>	6	BOLT (3/8-16X1.25-IN)						
	28	1	<b>0S-1590</b>	2	BOLT (3/8-16X2-IN)						
	29	2	<b>165-3929</b>	2	BOLT (3/8-16X1.5-IN)						
	30	1,2	<b>0S-1594</b>	18	BOLT (3/8-16X1-IN)						
	31	1,2	<b>0T-0065</b>	5	BOLT (3/8-16X3.5-IN)						
	32	1,2	<b>109-2332</b>	7	SEAL-O-RING						
	33	2	<b>1A-5964</b>	4	BOLT (3/8-16X4.5-IN)						
	34	2	<b>3B-1915</b>	1	BOLT (3/8-16X1.375-IN)						
	36	1,2	<b>3P-0655</b>	3	SEAL-O-RING						
	37	1	<b>4B-3140</b>	1	COVER						
	38	2	<b>4W-5596</b>	1	COVER						
	39	2	<b>5F-4899</b>	1	BOLT (3/8-16X5.5-IN)						
	40	1,2	<b>5M-2894</b>	18	WASHER-HARD (10.2X18.5X2.5-MM THK)						
	41	2	<b>5P-4892</b>	3	SEAL-O-RING						
	42	1	<b>5P-5846</b>	1	SEAL-O-RING						
	43	2	<b>228-7097</b>	2	SEAL-O-RING						
	44	2	<b>6V-0267</b>	1	CLIP (TAB)						
	45	2	<b>6V-0268</b>	1	CLIP (SLOT)						
	46	1	<b>6V-3908</b>	1	SEAL-O-RING						
	47	1	<b>6V-4589</b>	1	SEAL-O-RING						
	48	1,2	<b>6V-5048</b>	3	SEAL-O-RING						

# LUBRICATION SYSTEM

7E-9252 **LINES GP-ENGINE OIL** (contd.)

**i06651881**

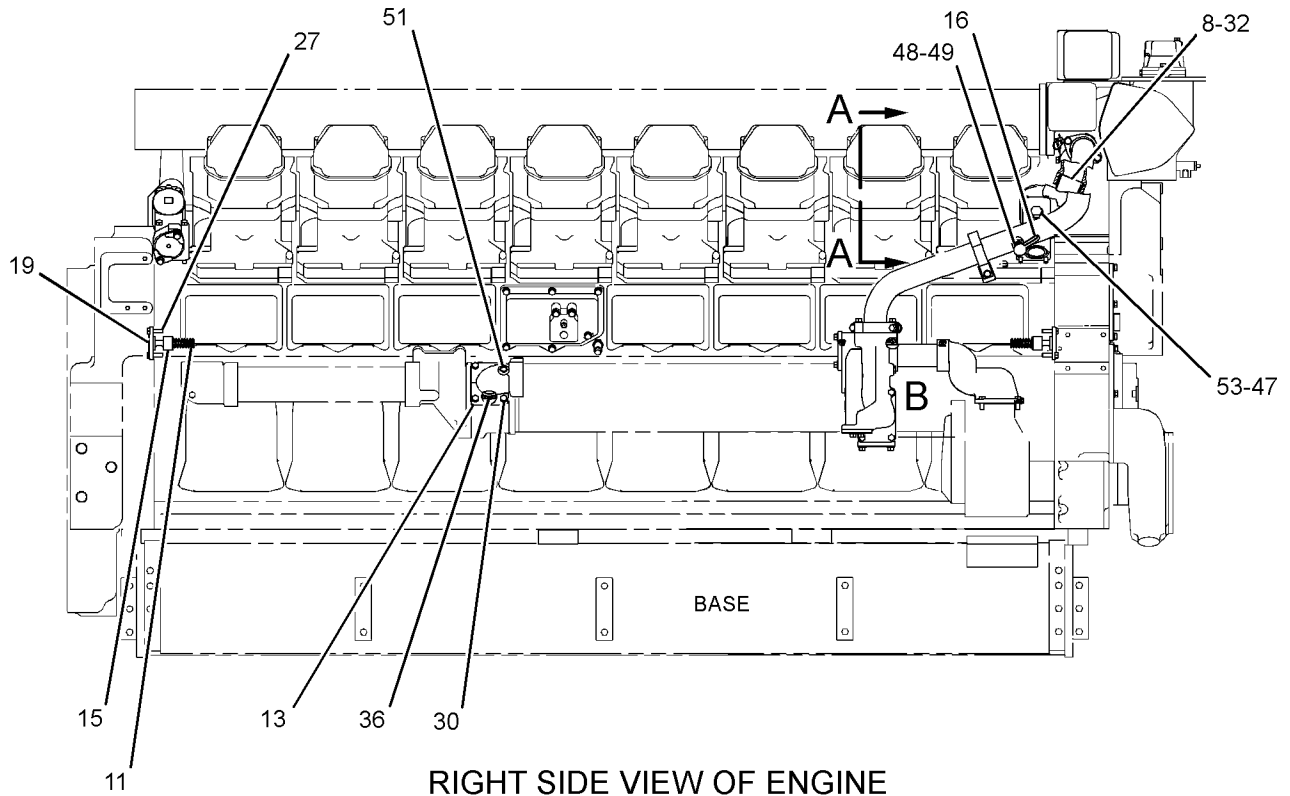
NOTE	REF NO	GRAPHIC REF	PART NUMBER	QTY	PART NAME						SEE PAGE
					1	2	3	4	5	6 (PRODUCT LEVEL)	
C	49	1	<b>8C-3446</b>	1	VALVE-SAMPLING						
	50	2	<b>8T-6762</b>	2	PLUG-PIPE (1/2-14-THD)						
	51	1	<b>8T-6765</b>	1	PLUG-PIPE (1/4-18-THD)						
	52	2	<b>9S-4182</b>	2	PLUG (7/16-20-THD)						
	53	1	<b>9S-4190</b>	1	PLUG-O-RING (7/8-14-THD)						
	54	1	<b>264-0450</b>	1	CLAMP AS						
	55	1	<b>361-7098</b>	1	FLANGE						
	56	1	<b>4P-7581</b>	1	CLIP (LADDER)						
	57	1	<b>9X-6772</b>	1	STRAP-CABLE						

C - CHANGE FROM PREVIOUS TYPE

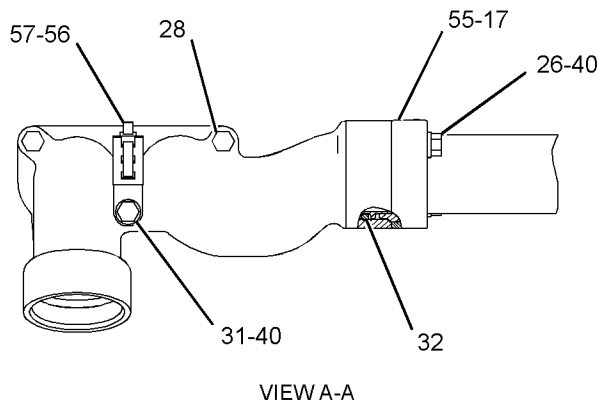
# LUBRICATION SYSTEM

7E-9252 LINES GP-ENGINE OIL (contd.)

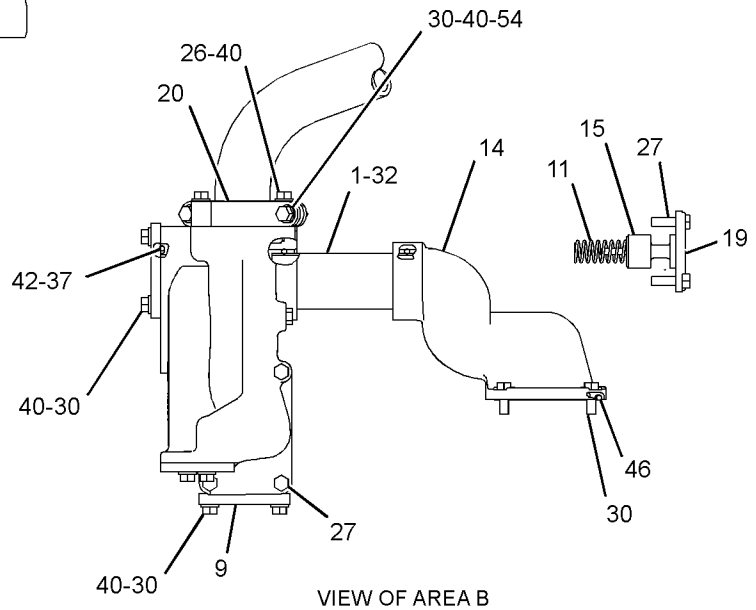
i06651881



RIGHT SIDE VIEW OF ENGINE



VIEW A-A



VIEW OF AREA B

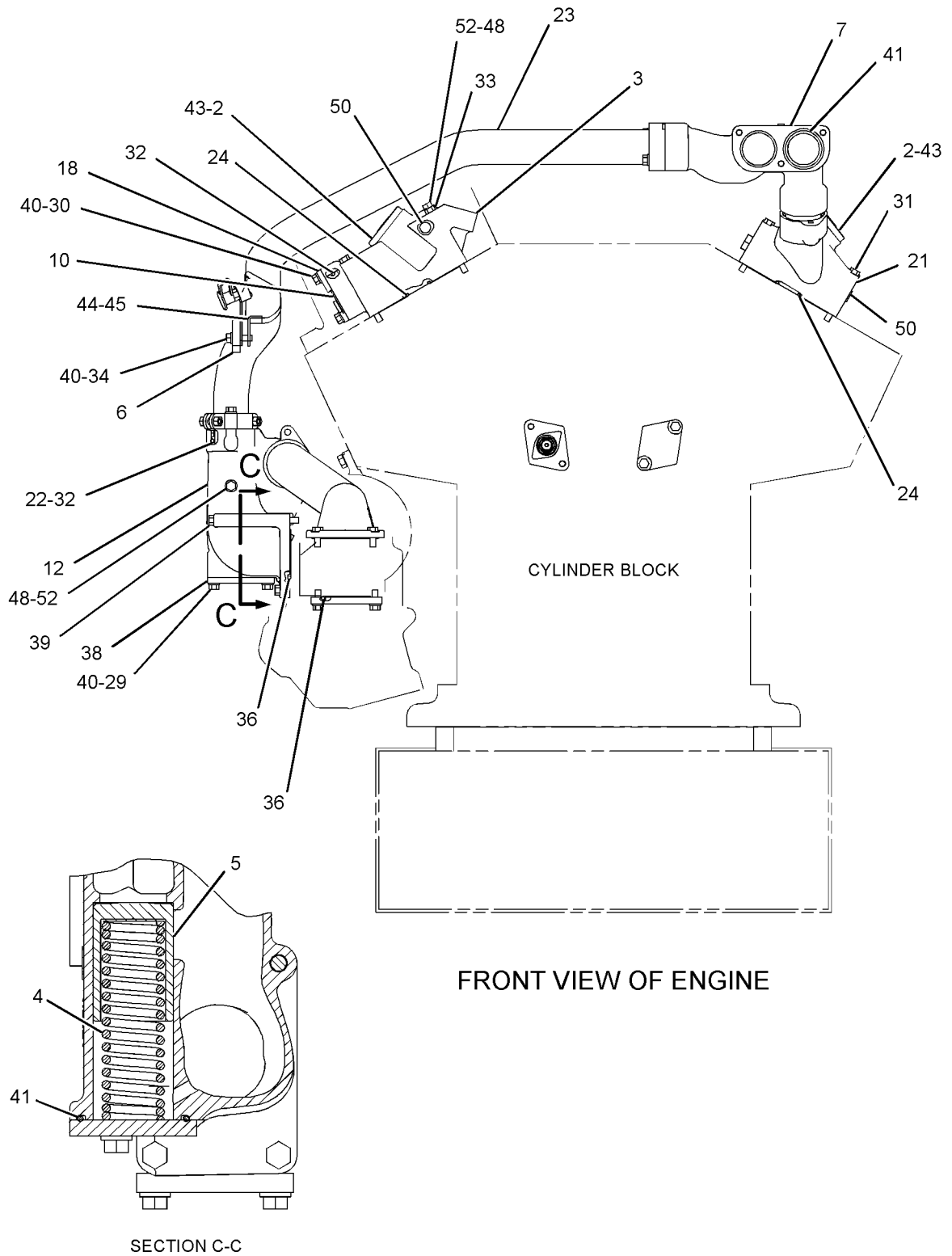
GRAPHIC #1

g06160242

# LUBRICATION SYSTEM

7E-9252 LINES GP-ENGINE OIL (contd.)

i06651881



GRAPHIC #2

<END>

g06166856

# LUBRICATION SYSTEM

## 7W-0963 LINES GP-ENGINE OIL

S/N: 50Y647-722; 66Z190-206

SMCS - 1307

i00898686

NOTE	REF NO	GRAPHIC REF	PART NUMBER	QTY	PART NAME						SEE PAGE
					1	2	3	4	5	6 (PRODUCT LEVEL)	
	1	1	<b>8N-2929</b>	2	COVER						
	2	1	<b>0S-1588</b>	4	BOLT (3/8-16X1.25-IN)						
	3	1	<b>6B-9202</b>	2	SPRING						
	4	1	<b>7N-7697</b>	2	PLUNGER AS (SEQUENCE VALVE)						
					(EACH INCLUDES)						
		1	<b>7M-1808</b>	1	DOWEL						
	5	1	<b>7N-5413</b>	1	ELBOW						
	6	1	<b>0S-1594</b>	12	BOLT (3/8-16X1-IN)						
	7	1	<b>5M-6213</b>	1	PLUG-PIPE (1/4-18-THD)						
	8	1	<b>3P-0655</b>	1	SEAL-O-RING						
	9	1	<b>5M-2894</b>	11	WASHER-HARD (10.2X18.5X2.5-MM THK)						
	10	1	<b>4B-3140</b>	1	COVER						
	11	1	<b>5P-5846</b>	1	SEAL-O-RING						
	12	1	<b>4W-3744</b>	1	ADAPTER						
	13	1	<b>3B-1915</b>	1	BOLT (3/8-16X1.375-IN)						
	14	1	<b>8N-1992</b>	4	RETAINER						
	15	1	<b>8N-1991</b>	2	RING-RETAINING						
	16	1	<b>5M-6214</b>	1	PLUG (1/8-27 PTF)						
	17	1	<b>3P-0649</b>	6	SEAL-O-RING						
	18	1	<b>1N-3333</b>	1	TUBE						
	19	1	<b>7N-5416</b>	1	ELBOW (OUTLET)						
	20	1	<b>6V-0267</b>	1	CLIP (TAB)						
		1	<b>6V-0268</b>	1	CLIP (SLOT)						
	21	1	<b>3H-7131</b>	1	LUG						
	22	1	<b>2B-0858</b>	1	PLUG-PIPE						
	23	1	<b>6V-3908</b>	1	SEAL-O-RING						
	24	1	<b>0L-2070</b>	2	BOLT (3/8-16X2.25-IN)						
	25	1	<b>0L-1352</b>	1	BOLT (3/8-16X3.25-IN)						
	26	1	<b>0S-1590</b>	2	BOLT (3/8-16X2-IN)						
	27	1	<b>7N-5412</b>	1	ELBOW						
	28	2	<b>5P-4892</b>	2	SEAL-O-RING						
	29	2	<b>2S-3625</b>	1	COVER (BY-PASS VALVE)						
		2	<b>5P-4268</b>	1	SEAL-O-RING						
	30	2	<b>0L-1143</b>	8	BOLT (3/8-16X2.5-IN)						
	31	2	<b>3P-0655</b>	1	SEAL-O-RING						
	32	2	<b>0S-1594</b>	2	BOLT (3/8-16X1-IN)						
	33	2	<b>9S-4190</b>	1	PLUG-O-RING (7/8-14-THD)						
		2	<b>6V-4589</b>	1	SEAL-O-RING						
	34	2	<b>5M-2894</b>	2	WASHER-HARD (10.2X18.5X2.5-MM THK)						
	35	2	<b>1N-4016</b>	1	ELBOW						
	36	2	<b>5P-5846</b>	1	SEAL-O-RING						
	37	2	<b>4W-4677</b>	1	TUBE						
	38	2	<b>9S-4182</b>	1	PLUG (7/16-20-THD)						
		2	<b>6V-5048</b>	1	SEAL-O-RING						
	39	2	<b>1W-2312</b>	1	TUBE						
	40	2	<b>4W-4313</b>	1	ADAPTER						
	41	2	<b>2W-1053</b>	1	PLUG						
		2	<b>5P-7817</b>	1	SEAL-O-RING						



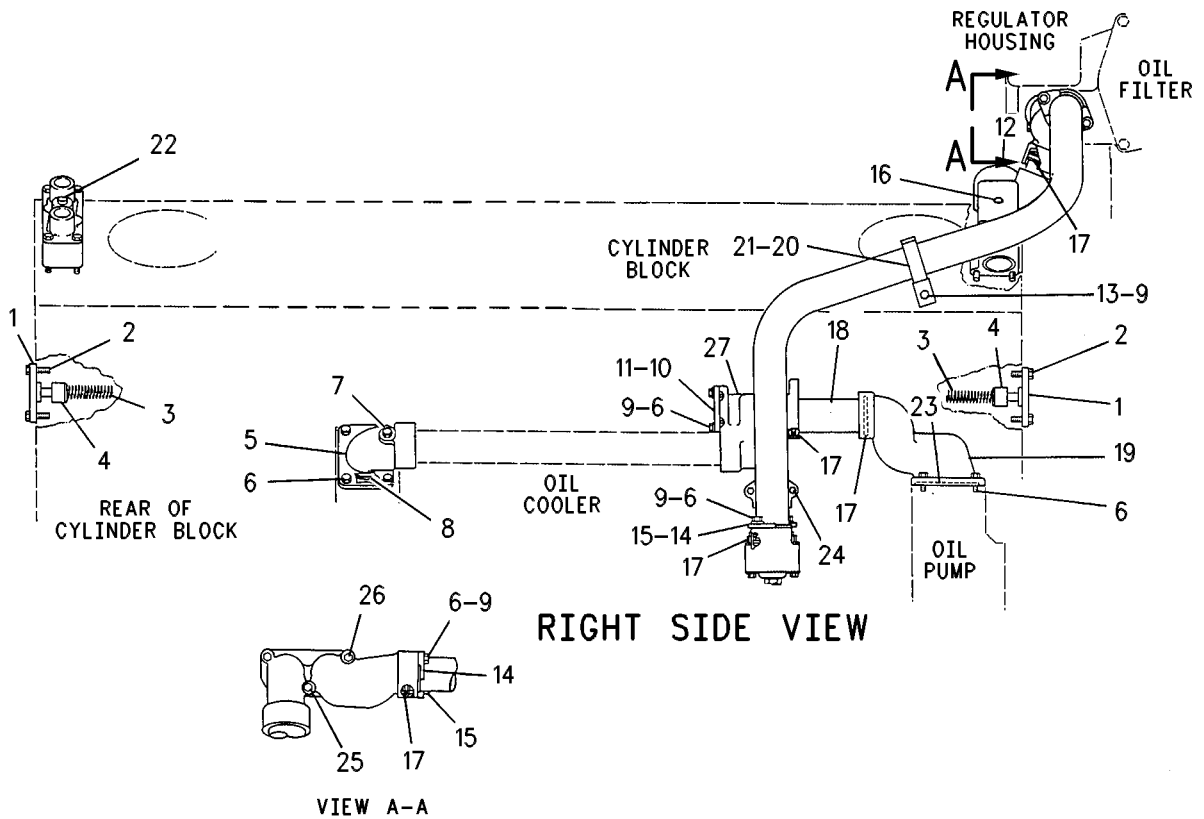
# LUBRICATION SYSTEM

7W-0963 **LINES GP-ENGINE OIL** (contd.)

**i00898686**

NOTE	REF NO	GRAPHIC REF	PART NUMBER	QTY	PART NAME						SEE PAGE
					1	2	3	4	5	6 (PRODUCT LEVEL)	
	42	2	<b>0T-0065</b>	4	BOLT (3/8-16X3.5-IN)						
	43	2	<b>061-9456</b>	4	SEAL-O-RING						
	44	2	<b>2W-7226</b>	1	ADAPTER						
	45	2	<b>2B-0858</b>	1	PLUG-PIPE						
C	46	2	<b>9M-0853</b>	1	PLUNGER-VALVE						
		2	<b>8M-3182</b>	1	SPRING						

C - CHANGE FROM PREVIOUS TYPE



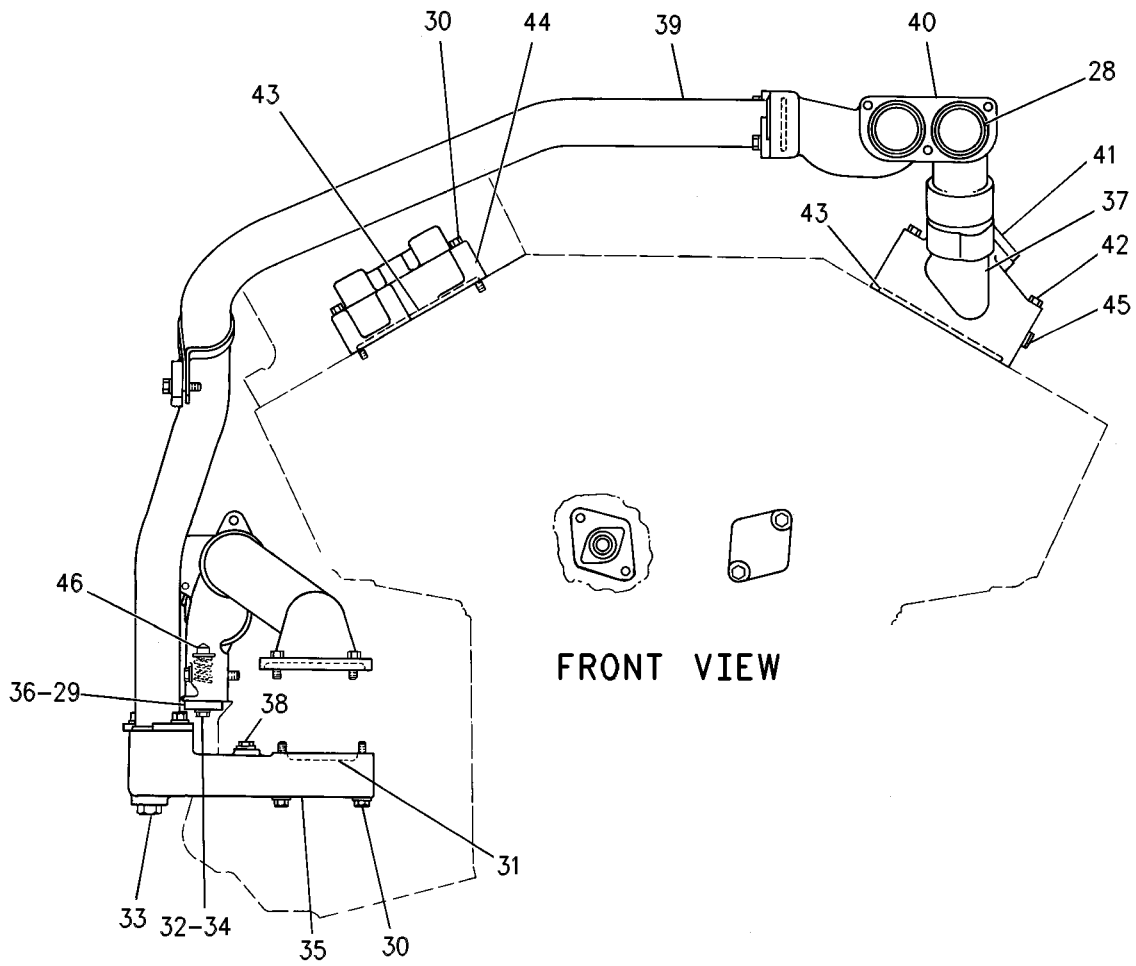
GRAPHIC #1

g00461450

# LUBRICATION SYSTEM

7W-0963 LINES GP-ENGINE OIL (contd.)

i00898686



FRONT VIEW

GRAPHIC #2

<END>

g00461451

# LUBRICATION SYSTEM

## 1W-3940 LINES GP-OIL SUPPLY-PRELUBRICATION FOR USE WITH DEEP OIL PAN AN ATTACHMENT

**SMCS-1307**

**i06013281**

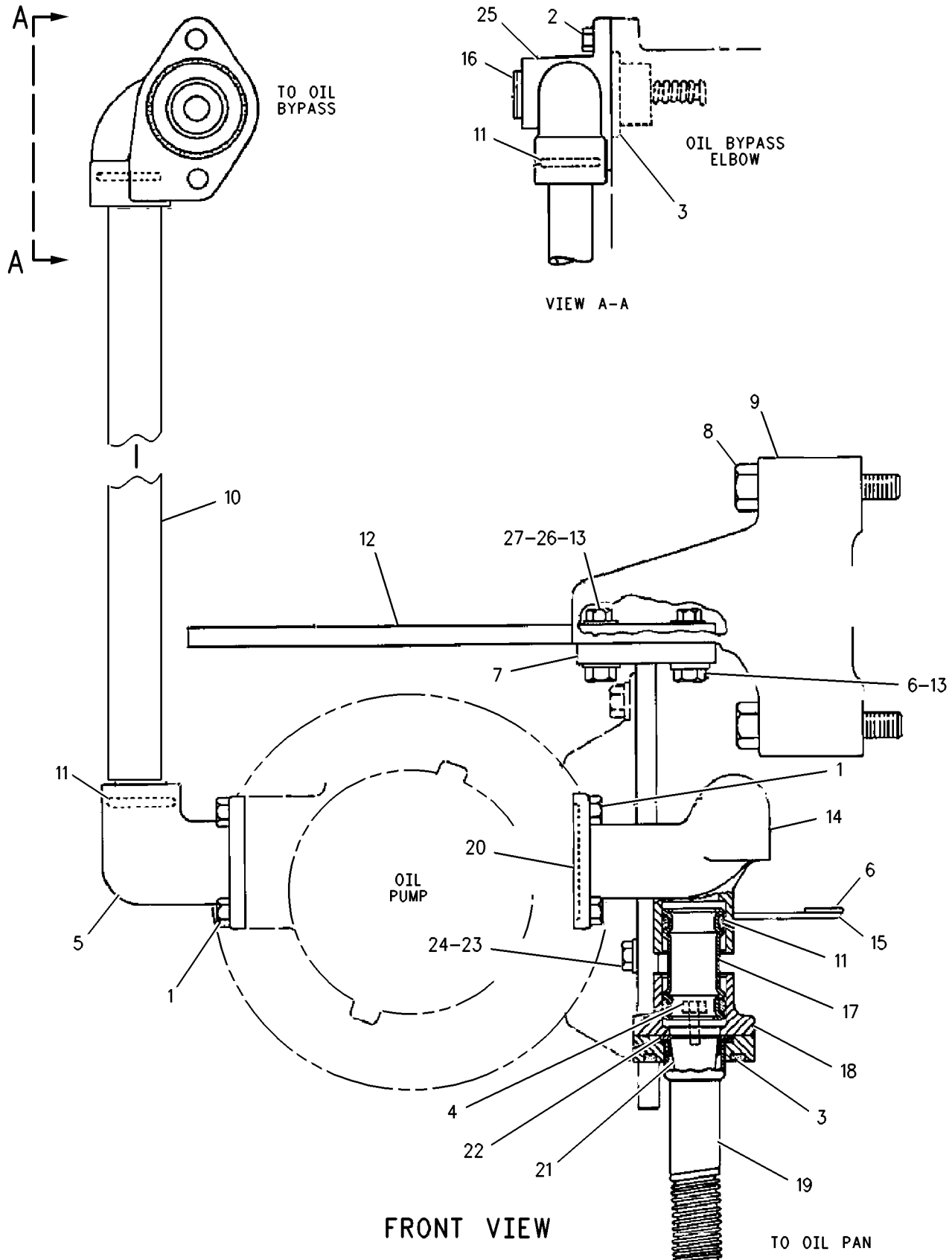
NOTE	REF NO	GRAPHIC REF	PART NUMBER	QTY	PART NAME						SEE PAGE
					1	2	3	4	5	6 (PRODUCT LEVEL)	
	1	1	<b>0S-1617</b>	8	BOLT (5/16-18X0.75-IN)						
C	2	1	<b>0L-1351</b>	2	BOLT (3/8-16X0.875-IN)						
	3	1	<b>5P-5846</b>	2	SEAL-O-RING						
	4	1	<b>0S-1591</b>	2	BOLT (3/8-16X1.5-IN)						
	5	1	<b>1W-8188</b>	1	ELBOW						
C	6	1	<b>5M-2894</b>	6	WASHER-HARD (10.2X18.5X2.5-MM THK)						
	7	1	<b>1W-4253</b>	1	BRACKET AS-SUPPORT						
	8	1	<b>1A-5822</b>	4	BOLT (1/2-13X2.75-IN)						
	9	1	<b>1N-3872</b>	2	SUPPORT						
	10	1	<b>7N-6460</b>	1	TUBE						
	11	1	<b>5P-9890</b>	4	SEAL-O-RING						
C	12	1	<b>2W-3406</b>	1	SUPPORT-SWITCH						
C	13	1	<b>0S-1594</b>	7	BOLT (3/8-16X1-IN)						
	14	1	<b>1W-3942</b>	1	ELBOW						
	15	1	<b>1W-4257</b>	1	BRACKET AS						
		1	<b>4K-9097</b>	2	NUT-WELD (5/16-18-THD)						
	16	1	<b>7X-7731</b>	1	PLUG-PIPE (3/4-14-THD)						
	17	1	<b>1W-3943</b>	1	COUPLING						
	18	1	<b>1W-3944</b>	1	FLANGE						
	19	1	<b>1W-4820</b>	1	HOSE AS						
	20	1	<b>6V-5100</b>	2	SEAL-O-RING						
	21	1	<b>2G-6304</b>	1	STRAINER AS (ENGINE OIL)						
	22	1	<b>2G-6303</b>	1	SEAL						
	23	1	<b>2B-2695</b>	2	BOLT (5/16-18X0.875-IN)						
	24	1	<b>9M-1974</b>	2	WASHER-HARD (8.8X16X2-MM THK)						
	25	1	<b>2W-0694</b>	1	ELBOW AS-VALVE						
		1	<b>1P-5274</b>	1	PIN-VALVE SPRING						
		1	<b>7L-0811</b>	1	DOWEL						
		1	<b>9B-0701</b>	2	SPRING						
		1	<b>9H-2367</b>	1	SPRING-VALVE						
		1	<b>9L-0672</b>	1	VALVE-CHECK						
C	26	1	<b>9L-9132</b>	3	WASHER (10.2X25.5X2.5-MM THK)						
C	27	1	<b>6N-8744</b>	3	MOUNT						

C - CHANGE FROM PREVIOUS TYPE

# LUBRICATION SYSTEM

1W-3940 LINES GP-OIL SUPPLY (contd.)

i06013281



GRAPHIC #1

<END>

g00901442

# LUBRICATION SYSTEM

## 1W-5547 LINES GP-OIL SUPPLY

S/N: 66Z190-578

PRELUBE - FRONT SUMP

**FOR USE WITH VEHICLE OIL PAN IN NO VEHICULAR APPLICATION &, 1W-4670 PUMP GP-PRELUBE,  
1W-4671 PUMP GP-PRELUBE, 1W-4672 PUMP GP-PRELUBE, 1W-4673 PUMP GP-PRELUBE, OR, 1W-  
4674 PUMP GP-PRELUBE  
AN ATTACHMENT**

**SMCS-1307**

**i00931513**

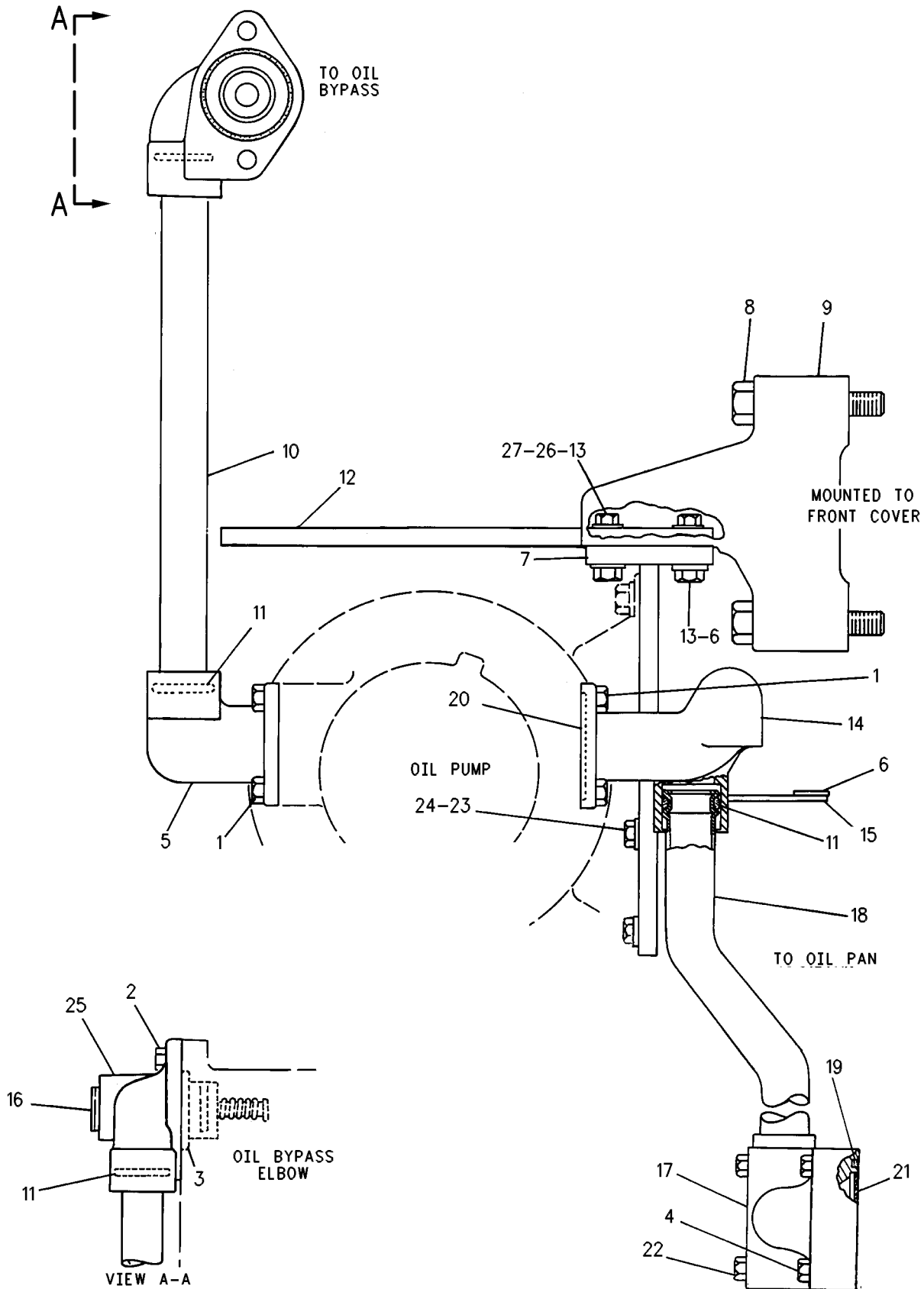
NOTE	REF NO	GRAPHIC REF	PART NUMBER	QTY	PART NAME						SEE PAGE
					1	2	3	4	5	6 (PRODUCT LEVEL)	
	1	1	<b>OS-1617</b>	8	BOLT (5/16-18X0.75-IN)						
C	2	1	<b>OL-1351</b>	2	BOLT (3/8-16X0.875-IN)						
	3	1	<b>2H-3927</b>	1	SEAL-O-RING						
	4	1	<b>OS-1591</b>	2	BOLT (3/8-16X1.5-IN)						
	5	1	<b>1W-8188</b>	1	ELBOW						
C	6	1	<b>5M-2894</b>	6	WASHER-HARD (10.2X18.5X2.5-MM THK)						
	7	1	<b>1W-4253</b>	1	BRACKET AS-SUPPORT						
	8	1	<b>1A-5822</b>	4	BOLT (1/2-13X2.75-IN)						
	9	1	<b>1N-3872</b>	2	SUPPORT						
	10	1	<b>7N-6460</b>	1	TUBE						
	11	1	<b>8F-4994</b>	4	SEAL-O-RING						
	12	1	<b>2W-3406</b>	1	SUPPORT-SWITCH						
C	13	1	<b>OS-1594</b>	7	BOLT (3/8-16X1-IN)						
	14	1	<b>1W-3942</b>	1	ELBOW						
	15	1	<b>1W-4257</b>	1	BRACKET AS						
	16	1	<b>1B-5174</b>	1	PLUG-PIPE						
	17	1	<b>1W-5549</b>	1	ELBOW						
	18	1	<b>1W-5548</b>	1	TUBE						
	19	1	<b>1H-8720</b>	1	SEAL-O-RING						
	20	1	<b>3D-7805</b>	2	SEAL-O-RING						
	21	1	<b>1W-5550</b>	1	SCREEN						
	22	1	<b>OL-1352</b>	1	BOLT (3/8-16X3.25-IN)						
	23	1	<b>2B-2695</b>	2	BOLT (5/16-18X0.875-IN)						
	24	1	<b>9M-1974</b>	2	WASHER-HARD (8.8X16X2-MM THK)						
C	25	1	<b>2W-0694</b>	1	ELBOW AS-VALVE (EACH INCLUDES)						
C	26	1	<b>9L-9132</b>	3	WASHER (10.2X25.5X2.5-MM THK)						
C	27	1	<b>6N-8744</b>	3	MOUNT						

C - CHANGE FROM PREVIOUS TYPE

# LUBRICATION SYSTEM

1W-5547 LINES GP-OIL SUPPLY (contd.)

i00931513



GRAPHIC #1

<END>

g00483873

# LUBRICATION SYSTEM

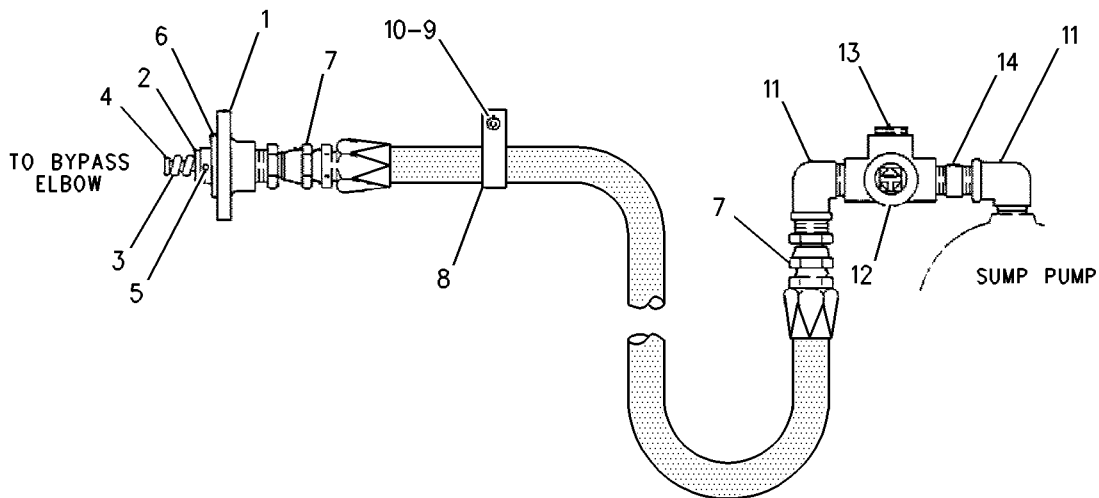
## 8N-6174 LINES GP-OIL SUPPLY

CANNOT BE USED WITH MARINE GEAR  
FOR USAGE REFER TO CHART 7N-8698-PAGE: 2121  
AN ATTACHMENT

SMCS-1307

i01344355

NOTE	REF NO	GRAPHIC REF	PART NUMBER	QTY	PART NAME						SEE PAGE
					1	2	3	4	5	6 (PRODUCT LEVEL)	
	1	1	<b>7N-6570</b>	1	ADAPTER AS						
	2	1	<b>9L-0672</b>	1	VALVE-CHECK						
	3	1	<b>9H-2367</b>	1	SPRING-VALVE						
	4	1	<b>1P-5274</b>	1	PIN-VALVE SPRING						
	5	1	<b>3H-3433</b>	1	PIN-SPRING						
	6	1	<b>2H-3927</b>	1	SEAL-O-RING						
	7	1	<b>5F-6371</b>	2	CONNECTOR						
	8	1	<b>6B-1032</b>	1	CLIP						
	9	1	<b>1A-2029</b>	1	BOLT (3/8-16X1.125-IN)						
	10	1	<b>5M-2894</b>	1	WASHER-HARD (10.2X18.5X2.5-MM THK)						
	11	1	<b>003-9163</b>	2	ELBOW						
	12	1	<b>3N-7057</b>	1	VALVE AS (3-WAY)						
	13	1	<b>1B-5174</b>	1	PLUG-PIPE						
	14	1	<b>3B-7270</b>	1	NIPPLE-PIPE						



GRAPHIC #1

<END>

g00710076

# LUBRICATION SYSTEM

## 5N-6241 LINES GP-PRELUBRICATION-RH

FOR USAGE REFER TO CHART 7N-8698-PAGE: 2121

AN ATTACHMENT

TYPE 1

SMCS-1307, 1319

i04381619

NOTE	REF NO	GRAPHIC REF	PART NUMBER	QTY	PART NAME						SEE PAGE
					1	2	3	4	5	6 (PRODUCT LEVEL)	
	1	1	<b>003-9163</b>	1	ELBOW						
	2	1	<b>3B-7745</b>	2	NIPPLE-PIPE						
	3	1	<b>3N-7057</b>	1	VALVE AS (3-WAY) (OIL SUPPLY)						
	4	1	<b>7X-7731</b>	1	PLUG-PIPE (3/4-14-THD)						
	5	1	<b>7N-6570</b>	1	ADAPTER AS						
	5A	1	<b>3H-3433</b>	1	PIN-SPRING						
	5B	1	<b>9L-0672</b>	1	VALVE-CHECK						
	5C	1	<b>9H-2367</b>	1	SPRING-VALVE						
	5D	1	<b>1P-5274</b>	1	PIN-VALVE SPRING						
	6	1	<b>5P-5846</b>	1	SEAL-O-RING						
	7	1	<b>5F-6371</b>	1	CONNECTOR						
	8	1	<b>6B-1667</b>	1	UNION						
	9	1	<b>0L-1351</b>	2	BOLT (3/8-16X0.875-IN)						
B	10	1	<b>5M-2894</b>	1	WASHER-HARD (10.2X18.5X2.5-MM THK)						
B	11	1	<b>1A-2029</b>	1	BOLT (3/8-16X1.125-IN)						
B	12	1	<b>134-5645</b>	1	CLIP						
B	13	1	<b>5M-2894</b>	1	WASHER-HARD (10.2X18.5X2.5-MM THK)						
B	14	1	<b>0L-1351</b>	1	BOLT (3/8-16X0.875-IN)						
B	15	1	<b>134-5645</b>	1	CLIP						

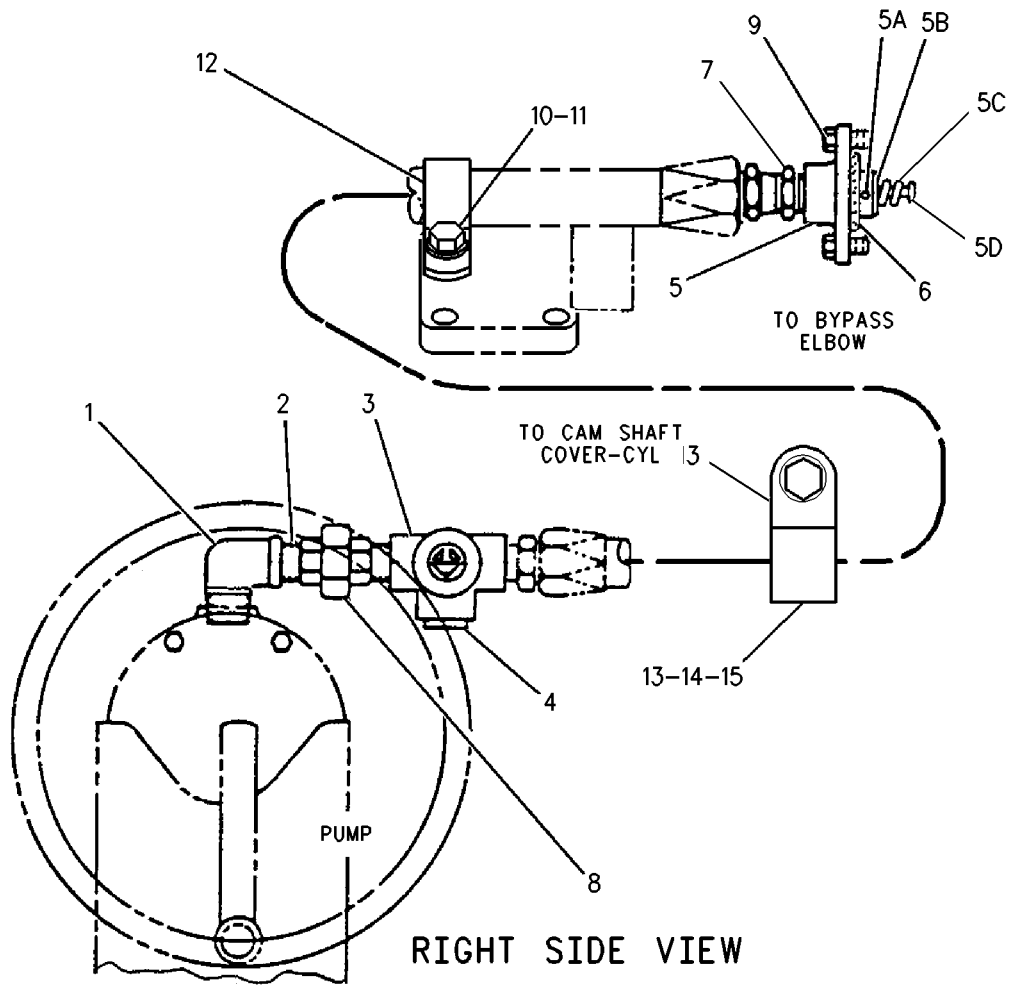
B - USE AS REQUIRED



# LUBRICATION SYSTEM

5N-6241 LINES GP-PRELUBRICATION (contd.)

104381619



GRAPHIC #1

<END>

g00899535

# LUBRICATION SYSTEM

## 5N-6241 LINES GP-PRELUBRICATION-RH

FOR USAGE REFER TO CHART 7N-8698-PAGE: 2121

AN ATTACHMENT

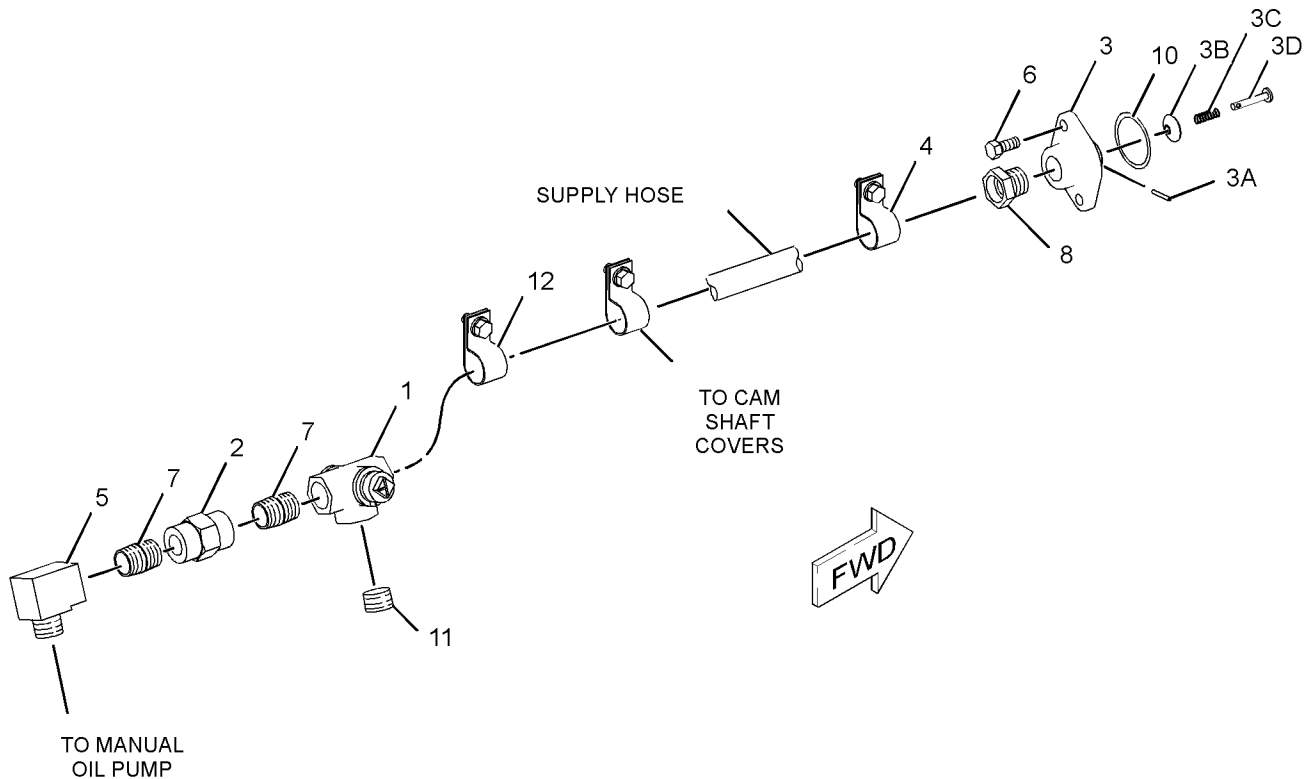
TYPE 2

SMCS-1307, 1319

i07101090

NOTE	REF NO	GRAPHIC REF	PART NUMBER	QTY	PART NAME						SEE PAGE
					1	2	3	4	5	6 (PRODUCT LEVEL)	
	1	1	<b>3N-7057</b>	1	VALVE AS (3-WAY) (OIL SUPPLY)						
	2	1	<b>6B-1667</b>	1	UNION						
	3	1	<b>7N-6570</b>	1	ADAPTER AS						
	3A	1	<b>3H-3433</b>	1	PIN-SPRING						
	3B	1	<b>9L-0672</b>	1	VALVE-CHECK						
	3C	1	<b>9H-2367</b>	1	SPRING-VALVE						
	3D	1	<b>1P-5274</b>	1	PIN-VALVE SPRING						
	4	1	<b>134-5645</b>	1	CLIP						
	5	1	<b>003-9163</b>	1	ELBOW						
	6	1	<b>0L-1351</b>	2	BOLT (3/8-16X0.875-IN)						
	7	1	<b>3B-7745</b>	2	NIPPLE-PIPE						
	8	1	<b>5F-6371</b>	1	CONNECTOR						
	10	1	<b>5P-5846</b>	1	SEAL-O-RING						
	11	1	<b>7X-7731</b>	1	PLUG-PIPE (3/4-14-THD)						
B	12	1	<b>134-5645</b>	2	CLIP						

B - USE AS REQUIRED



GRAPHIC #1

<END>

g01211509

# LUBRICATION SYSTEM

## 5N-6268 LINES GP-PRELUBRICATION-LH

FOR USAGE REFER TO CHART 7N-8698-PAGE: 2121

AN ATTACHMENT

TYPE 1

SMCS-1307, 1319

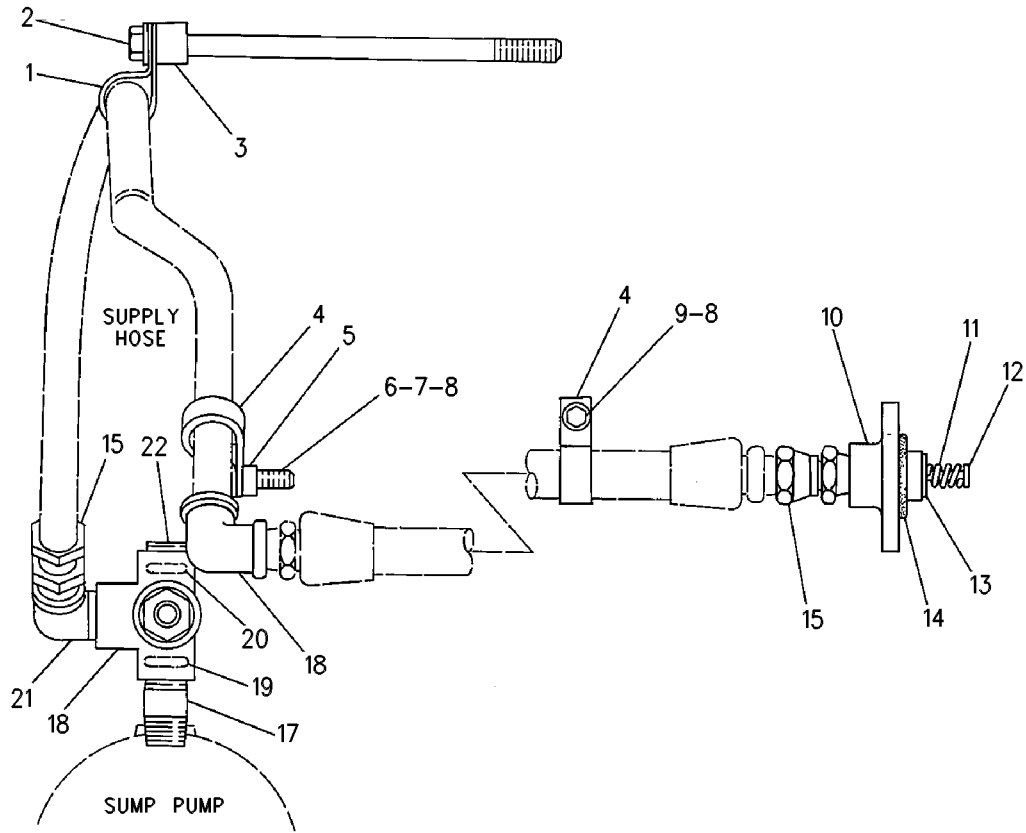
i00995612

NOTE	REF NO	GRAPHIC REF	PART NUMBER	QTY	PART NAME						SEE PAGE
					1	2	3	4	5	6 (PRODUCT LEVEL)	
	1	1	<b>1L-8181</b>	1	CLIP						
	2	1	<b>6F-5281</b>	1	BOLT (1/2-13X10-IN)						
		1	<b>5P-8245</b>	1	WASHER-HARD (13.5X25.5X3-MM THK)						
	3	1	<b>6H-7062</b>	1	SPACER (13.5X25X19-MM THK)						
	4	1	<b>6B-1032</b>	2	CLIP						
	5	1	<b>0S-2307</b>	1	SPACER (0.406X0.75X0.39-IN THK)						
	6	1	<b>2A-4639</b>	1	BOLT (3/8-16X1.625-IN)						
	7	1	<b>0S-1590</b>	1	BOLT (3/8-16X2-IN)						
	8	1	<b>5M-2894</b>	2	WASHER-HARD (10.2X18.5X2.5-MM THK)						
	9	1	<b>1A-2029</b>	1	BOLT (3/8-16X1.125-IN)						
	10	1	<b>7N-6570</b>	1	ADAPTER AS						
					(EACH INCLUDES)						
		1	<b>3H-3433</b>	1	PIN-SPRING						
	11	1	<b>9H-2367</b>	1	SPRING-VALVE						
	12	1	<b>1P-5274</b>	1	PIN-VALVE SPRING						
	13	1	<b>9L-0672</b>	1	VALVE-CHECK						
	14	1	<b>2H-3927</b>	1	SEAL-O-RING						
	15	1	<b>5F-6371</b>	2	CONNECTOR						
	16	1	<b>1K-6937</b>	1	ELBOW-PIPE						
	17	1	<b>3B-7270</b>	1	NIPPLE-PIPE						
	18	1	<b>3N-7057</b>	1	VALVE AS (3-WAY)						
					(EACH INCLUDES)						
	19	1	<b>9H-6761</b>	1	SEAL-O-RING						
	20	1	<b>3D-2992</b>	1	SEAL						
	21	1	<b>003-9163</b>	1	ELBOW						
	22	1	<b>1B-5174</b>	1	PLUG-PIPE						

# LUBRICATION SYSTEM

5N-6268 LINES GP-PRELUBRICATION (contd.)

i00995612



GRAPHIC #1

<END>

g00508709

# LUBRICATION SYSTEM

## 5N-6268 LINES GP-PRELUBRICATION-LH

FOR USAGE REFER TO CHART 7N-8698-PAGE: 2121

AN ATTACHMENT

TYPE 2

SMCS-1307, 1319

i05432037

NOTE	REF NO	GRAPHIC REF	PART NUMBER	QTY	PART NAME						SEE PAGE
					1	2	3	4	5	6 (PRODUCT LEVEL)	
	1	1	<b>134-5645</b>	6	CLIP						
	2	1	<b>1K-6937</b>	1	ELBOW-PIPE						
	3	1	<b>7X-7731</b>	1	PLUG-PIPE (3/4-14-THD)						
	4	1	<b>1A-2029</b>	4	BOLT (3/8-16X1.125-IN)						
C	5	1	<b>5M-2894</b>	6	WASHER-HARD (10.2X18.5X2.5-MM THK)						
	6	1	<b>0L-1351</b>	2	BOLT (3/8-16X0.875-IN)						
C	7	1	<b>5P-5846</b>	1	SEAL-O-RING						
	8	1	<b>5F-6371</b>	1	CONNECTOR						
	9	1	<b>3N-7057</b>	1	VALVE AS (3-WAY) (OIL SUPPLY)						
	10	1	<b>3B-7270</b>	1	NIPPLE-PIPE						
	11	1	<b>6H-8297</b>	1	ELBOW						
	12	1	<b>7N-6570</b>	1	ADAPTER AS						
		1	<b>3H-3433</b>	1	PIN-SPRING						
		1	<b>9H-2367</b>	1	SPRING-VALVE						
		1	<b>6T-7034</b>	1	PIN-VALVE SPRING						
		1	<b>9L-0672</b>	1	VALVE-CHECK						
C	13	1	<b>6W-6672</b>	2	SPACER (10.5X20X38-MM THK)						
BC	14	1	<b>0T-0573</b>	1	BOLT (3/8-16X2.75-IN)						
					(FOR USE WITH ENGINES WITH HYDRA-MECHANICAL SHUT-OFF)						
BC	15	1	<b>0L-1143</b>	1	BOLT (3/8-16X2.5-IN)						
					(FOR USE WITH ENGINES WITHOUT HYDRA-MECHANICAL SHUT-OFF)						
C	16	1	<b>0L-1143</b>	1	BOLT (3/8-16X2.5-IN)						
	17	1	<b>4P-7581</b>	1	CLIP (LADDER)						
	18	1	<b>9X-6772</b>	1	STRAP-CABLE						

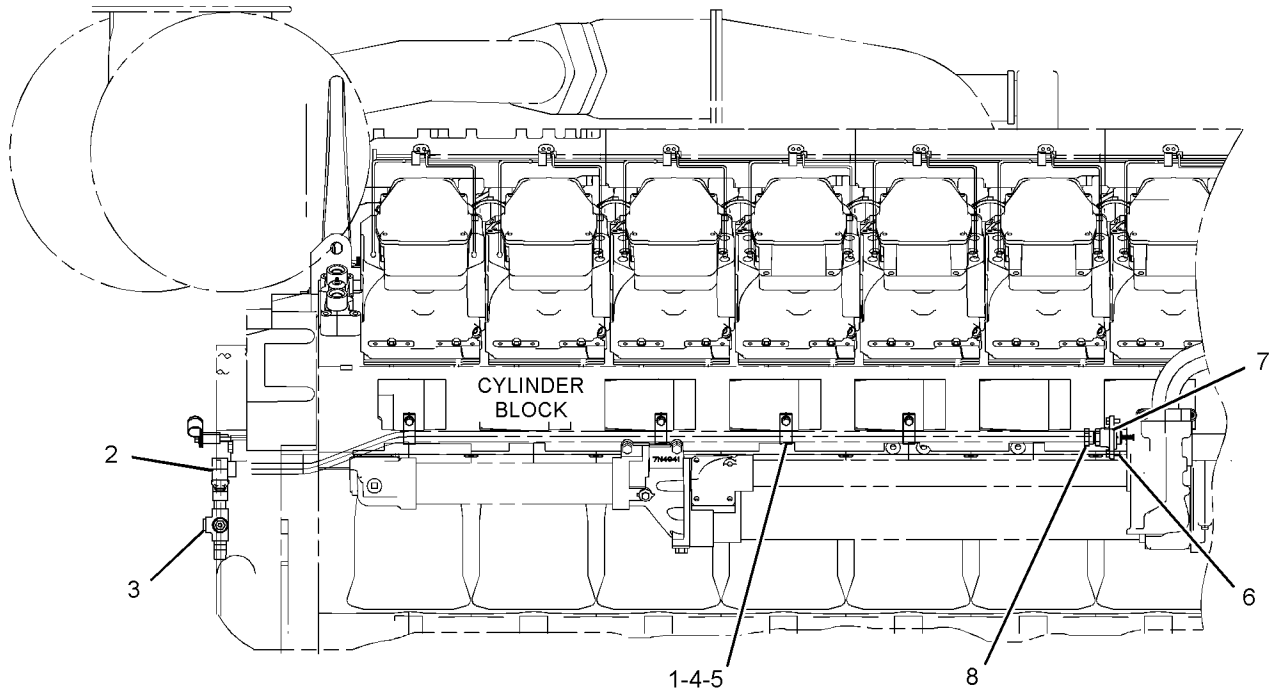
B - USE AS REQUIRED

C - CHANGE FROM PREVIOUS TYPE

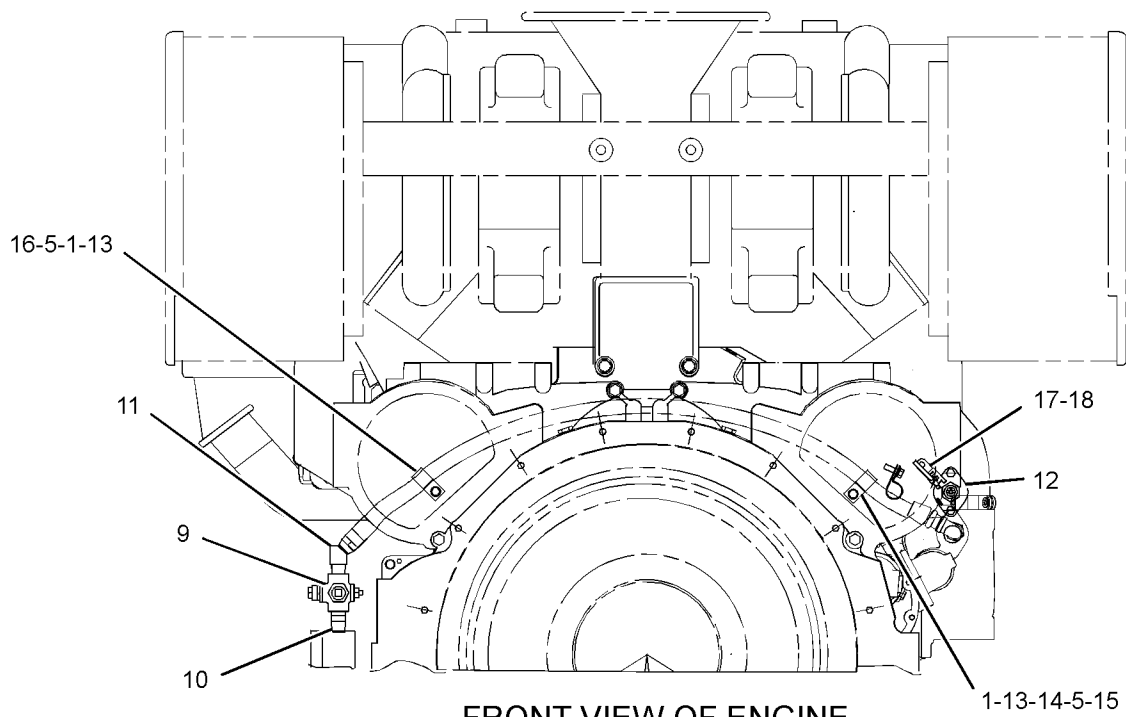
# LUBRICATION SYSTEM

5N-6268 LINES GP-PRELUBRICATION (contd.)

i05432037



RIGHT SIDE VIEW OF ENGINE



FRONT VIEW OF ENGINE

GRAPHIC #1

<END>

g02074021

# LUBRICATION SYSTEM

## 7C-9856 LINES GP-SUMP-TRANSMISSION OIL FOR USE WITH REINTJES MARINE GEAR AN ATTACHMENT

SMCS-1307, 1324

i00656560

NOTE	PART NUMBER	QTY	PART NAME 1 2 3 4 5 6 (PRODUCT LEVEL)	SEE PAGE
	<b>7X-2481</b>	1	ADAPTER AS	
	<b>6B-9081</b>	1	BUSHING-REDUCER	
	<b>3B-6555</b>	1	ELBOW	
I	<b>3N-4516</b>	1	HOSE AS	
I - REFER TO HYDRAULIC INFORMATION SYSTEM				
<END>				

## 9Y-2178 LINES GP-SUMP TRANSMISSION OIL AN ATTACHMENT

SMCS-1307, 1324

i00938903

NOTE	PART NUMBER	QTY	PART NAME 1 2 3 4 5 6 (PRODUCT LEVEL)	SEE PAGE
	<b>7X-2481</b>	1	ADAPTER AS	
	<b>6B-9081</b>	1	BUSHING-REDUCER	
	<b>3B-6555</b>	1	ELBOW	
I	<b>3N-4911</b>	1	HOSE AS	
I - REFER TO HYDRAULIC INFORMATION SYSTEM				
<END>				

## 9Y-2179 LINES GP-SUMP-TRANSMISSION OIL FOR USE WITH REINTJES MARINE GEAR AN ATTACHMENT

SMCS-1307, 1324

i00657030

NOTE	PART NUMBER	QTY	PART NAME 1 2 3 4 5 6 (PRODUCT LEVEL)	SEE PAGE
	<b>7X-2481</b>	1	ADAPTER AS	
	<b>6B-9081</b>	1	BUSHING-REDUCER	
	<b>3B-6555</b>	1	ELBOW	
I	<b>3N-4514</b>	1	HOSE AS	
I - REFER TO HYDRAULIC INFORMATION SYSTEM				
<END>				

# LUBRICATION SYSTEM

## 141-6751 LINES GP-TURBOCHARGER OIL

S/N: 50Y647-1304

PART OF 376-4849 ENGINE AR-COMPLETE

SMCS-1052, 1307

i05867676

NOTE	REF NO	GRAPHIC REF	PART NUMBER	QTY	PART NAME						SEE PAGE
					1	2	3	4	5	6 (PRODUCT LEVEL)	
	1	1	<b>3E-4352</b>	4	WASHER-HARD (8.8X20.5X2.5-MM THK)						
	2	1	<b>4P-0692</b>	4	CLAMP AS						
					(EACH INCLUDES)						
		1	<b>108-1434</b>	1	GROMMET						
	3	1	<b>7E-1078</b>	1	TUBE AS (RH)						
	4	1	<b>7E-1079</b>	1	TUBE AS (LH)						
	5	1	<b>7E-2909</b>	2	ELBOW						
	6	1	<b>7E-2910</b>	2	BRACKET						
	7	1	<b>9Y-0637</b>	1	BRACKET						
	8	1	<b>9Y-0860</b>	1	TUBE AS-SUPPLY						
	9	1	<b>457-0780</b>	2	FLANGE						
	10	1	<b>9Y-7759</b>	1	TUBE-OIL DRAIN (LH)						
	11	1	<b>9Y-7760</b>	1	TUBE-OIL DRAIN (RH)						
	12	1	<b>125-2784</b>	2	ELBOW						
	13	1	<b>252-8374</b>	4	GASKET						
	14	1	<i>250-1498</i>	1	ELBOW AS						
		1	<b>6V-4589</b>	1	SEAL-O-RING						
		1	<b>250-1497</b>	1	ELBOW						
	15	1	<b>061-7738</b>	1	TEE-FLARED (FLARED)						
	16	1	<b>0L-1143</b>	6	BOLT (3/8-16X2.5-IN)						
	17	1	<b>0L-1351</b>	2	BOLT (3/8-16X0.875-IN)						
	18	1	<b>4L-8149</b>	2	GASKET						
M	19	1	<b>5A-3604</b>	4	BOLT-SOCKET HEAD (M8X1.25X25-MM)						
	20	1	<b>5M-2894</b>	6	WASHER-HARD (10.2X18.5X2.5-MM THK)						
	22	1	<b>6V-5134</b>	4	SEAL-O-RING						
	23	1	<b>7F-2060</b>	1	LOCKNUT (7/8-14-THD)						
M	24	1	<b>7X-0457</b>	4	BOLT (M8X1.25X130-MM)						
	25	1	<i>365-0578</i>	2	CONNECTOR AS						
					(EACH INCLUDES)						
		1	<b>2P-7636</b>	1	CONNECTOR (3/4-16 STR-THD)						
		1	<b>238-5080</b>	1	SEAL-O-RING						
	26	1	<b>9S-8752</b>	2	NUT-FULL (3/8-16-THD)						

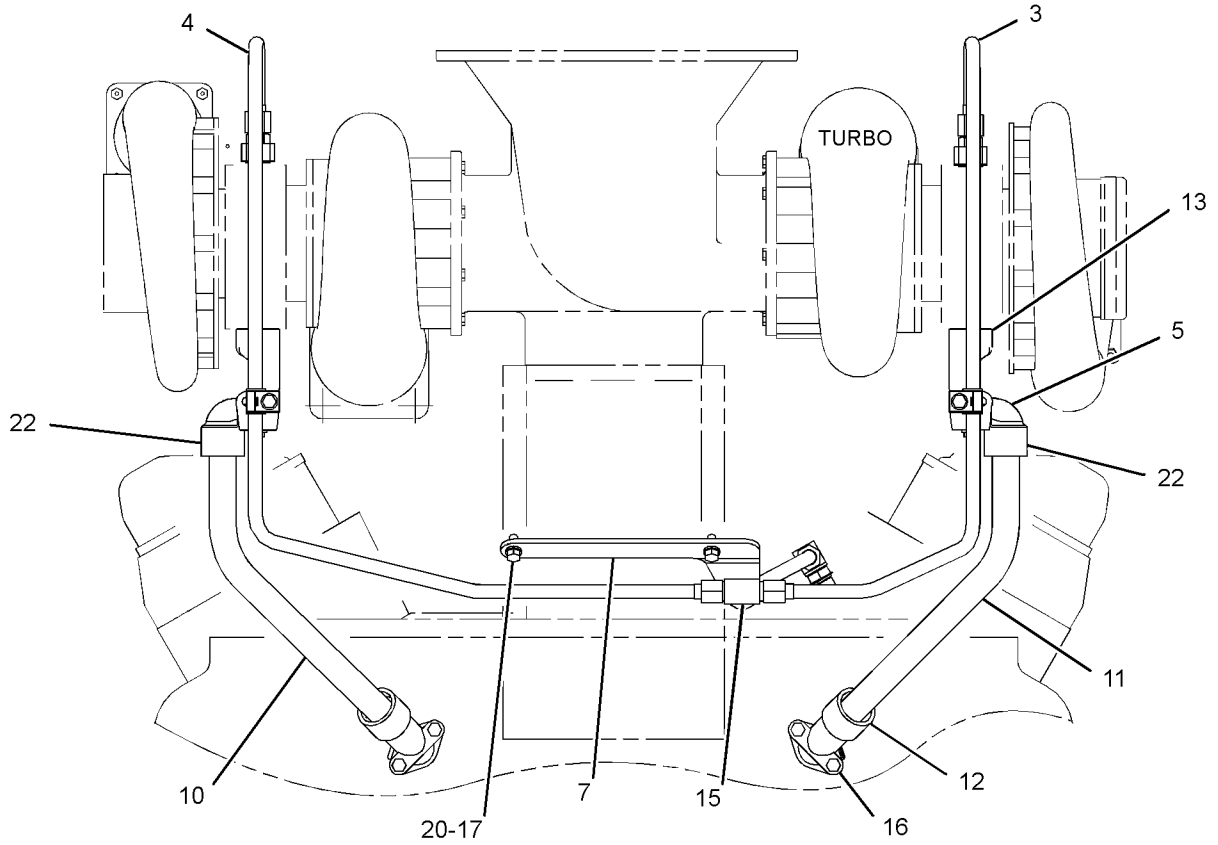
M - METRIC PART



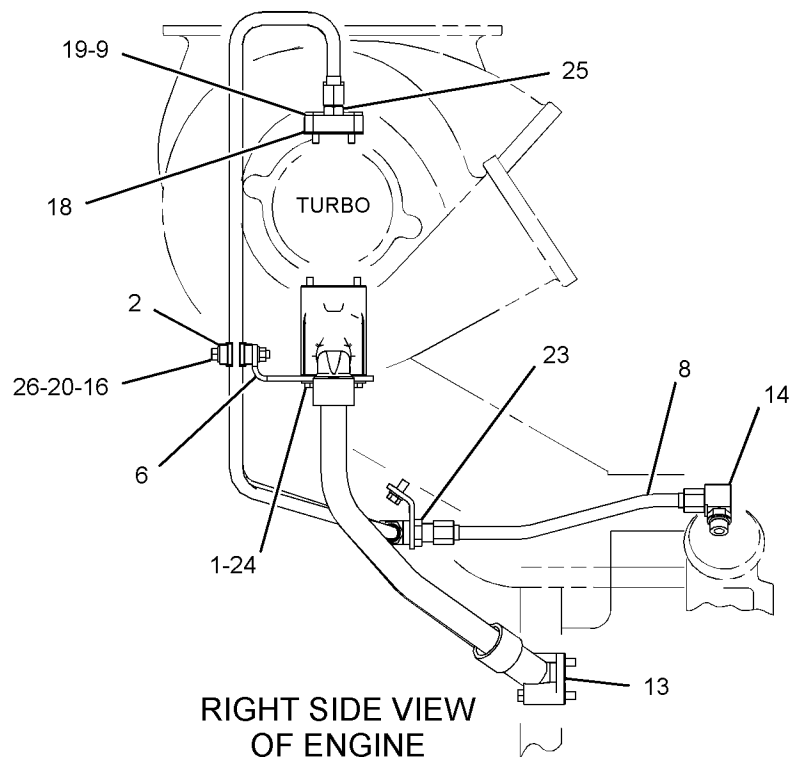
# LUBRICATION SYSTEM

141-6751 LINES GP-TURBOCHARGER OIL (contd.)

105867676



REAR VIEW OF ENGINE



RIGHT SIDE VIEW  
OF ENGINE

GRAPHIC #1

<END>

g03709905

# LUBRICATION SYSTEM

## 282-4202 LINES GP-TURBOCHARGER OIL

S/N: 50Y647-1304

PART OF 357-0858 ENGINE AR-COMplete

SMCS-1052, 1307

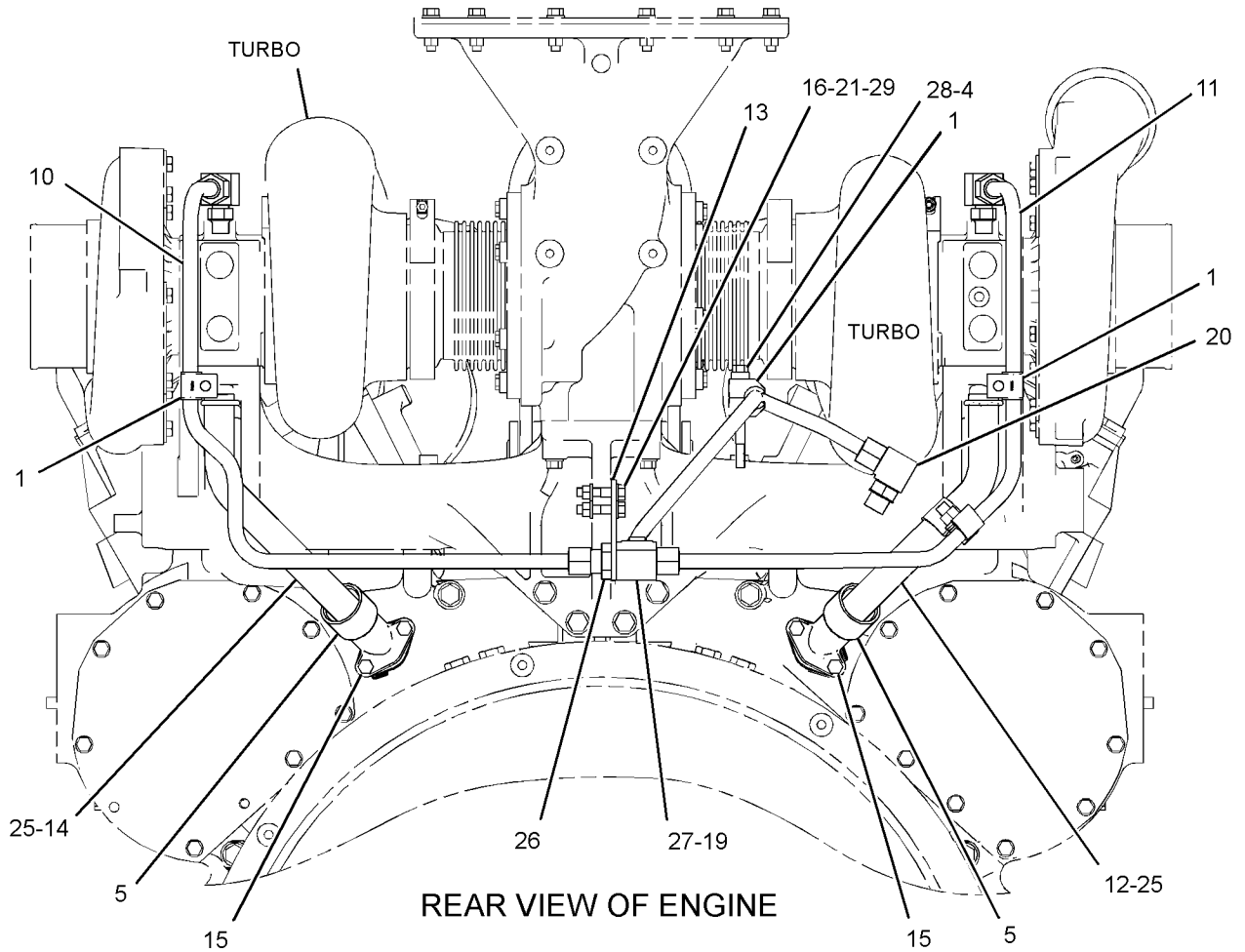
i03093643

NOTE	REF NO	GRAPHIC REF	PART NUMBER	QTY	PART NAME						SEE PAGE
					1	2	3	4	5	6 (PRODUCT LEVEL)	
	1	1	<b>4P-0692</b>	6	CLAMP AS						
					(EACH INCLUDES)						
		1	<b>108-1434</b>	1	GROMMET						
	2	1	<b>6V-6758</b>	1	CLIP						
	3	1	<b>6V-6759</b>	1	CLIP						
	4	1	<b>6W-2928</b>	1	BOSS						
	5	1	<b>125-2784</b>	2	ELBOW						
	6	1	<b>166-4116</b>	2	SPACER (10X16X20-MM THK)						
	7	1	<b>252-8374</b>	2	GASKET						
	8	1	<b>281-5919</b>	2	ELBOW AS						
					(EACH INCLUDES)						
		1	<b>227-0056</b>	1	ELBOW						
		1	<b>228-7091</b>	1	SEAL-O-RING						
		1	<b>228-7103</b>	1	SEAL-O-RING						
	9	1	<b>282-4140</b>	1	TUBE AS						
	10	1	<b>282-4141</b>	1	TUBE AS						
	11	1	<b>282-4142</b>	1	TUBE AS						
	12	1	<b>282-4144</b>	1	TUBE						
	13	1	<b>282-4209</b>	1	BRACKET						
	14	1	<b>307-8310</b>	1	TUBE						
	15	1	<b>0L-1143</b>	4	BOLT (3/8-16X2.5-IN)						
	16	1	<b>0S-1571</b>	2	BOLT (3/8-16X1.75-IN)						
	17	1	<b>0S-1585</b>	1	BOLT (1/2-13X1.5-IN)						
	18	1	<b>1F-7958</b>	1	NUT-FULL (1/2-13-THD)						
	19	1	<b>228-7091</b>	3	SEAL-O-RING						
	20	1	<b>281-5975</b>	1	ELBOW AS						
		1	<b>6V-8626</b>	1	ELBOW						
		1	<b>228-7091</b>	1	SEAL-O-RING						
		1	<b>238-5081</b>	1	SEAL-O-RING						
	21	1	<b>5M-2894</b>	4	WASHER-HARD (10.2X18.5X2.5-MM THK)						
	22	1	<b>5P-8245</b>	2	WASHER-HARD (13.5X25.5X3-MM THK)						
	23	1	<b>6K-4934</b>	1	CLIP (SLOT)						
	24	1	<b>6K-4935</b>	1	CLIP (TAB)						
	25	1	<b>6V-5134</b>	4	SEAL-O-RING						
	26	1	<b>6V-9170</b>	1	NUT-BULKHEAD (1-14-THD)						
	27	1	<b>6V-9350</b>	1	TEE-BULKHEAD						
	28	1	<b>8S-9191</b>	1	BOLT (3/8-16X4-IN)						
	29	1	<b>9S-8752</b>	2	NUT-FULL (3/8-16-THD)						

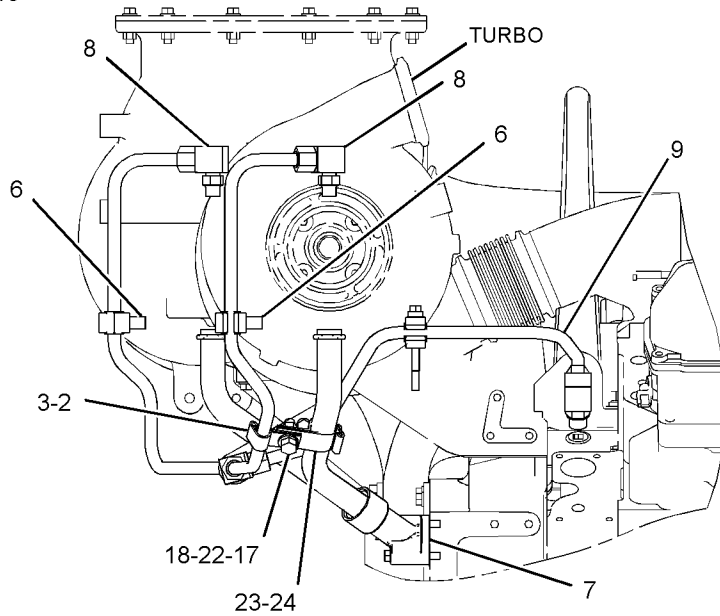
# LUBRICATION SYSTEM

282-4202 LINES GP-TURBOCHARGER OIL (contd.)

103093643



REAR VIEW OF ENGINE



RIGHT SIDE VIEW OF ENGINE

GRAPHIC #1

<END>

g01619508

# LUBRICATION SYSTEM

## 7N-8640 LINES GP-TURBOCHARGER OIL

S/N: 66Z190-578

SMCS-1052, 1307

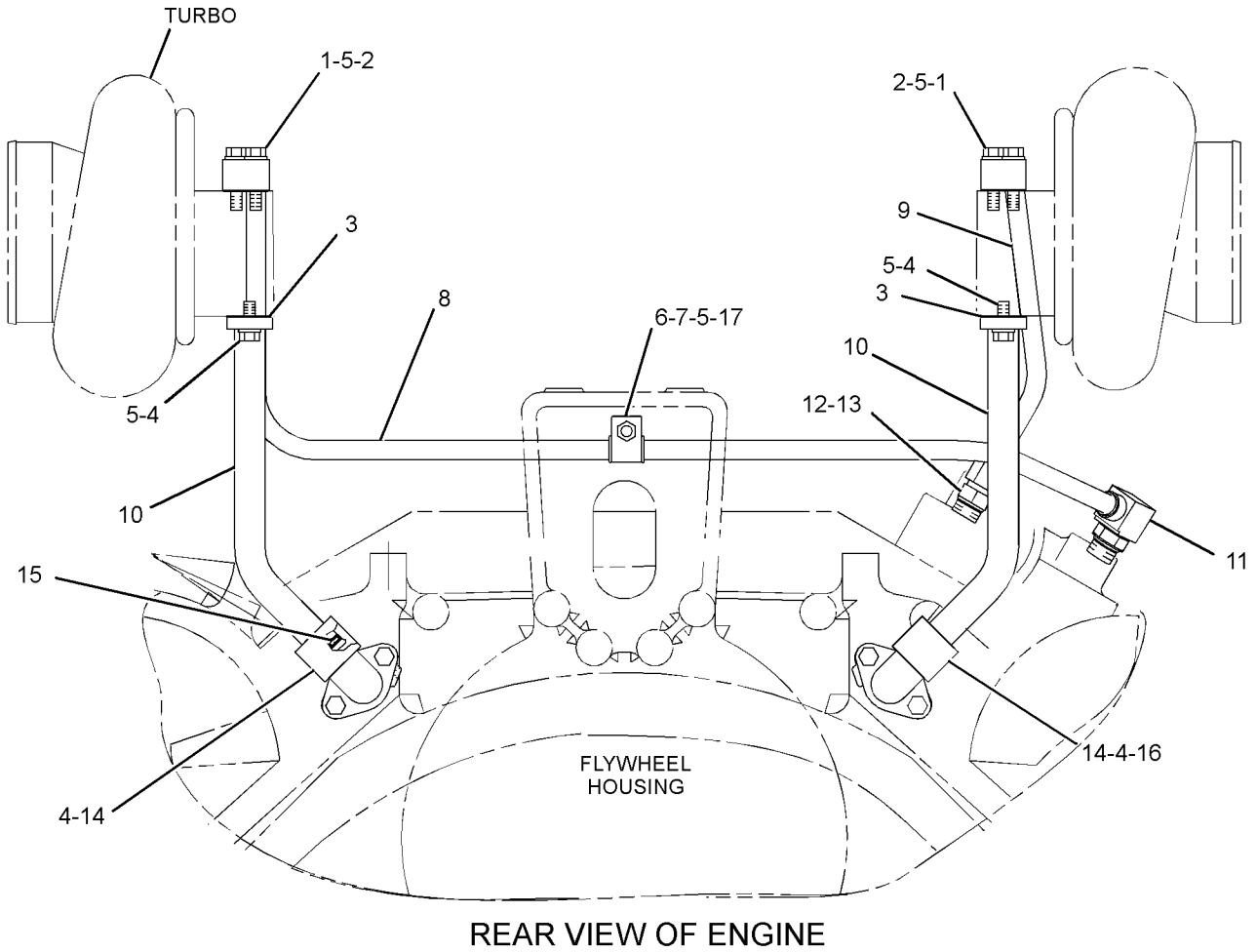
i02696216

NOTE	REF NO	GRAPHIC REF	PART NUMBER	QTY	PART NAME						SEE PAGE
					1	2	3	4	5	6 (PRODUCT LEVEL)	
1	1	1	<b>0S-1571</b>	4	BOLT (3/8-16X1.75-IN)						
2	1	1	<b>1S-6595</b>	2	GASKET-OIL SUPPLY						
3	1	1	<b>1S-4810</b>	2	GASKET-OIL DRAIN						
4	1	1	<b>0S-1594</b>	8	BOLT (3/8-16X1-IN)						
5	1	1	<b>5M-2894</b>	9	WASHER-HARD (10.2X18.5X2.5-MM THK)						
6	1	1	<b>4P-0692</b>	2	CLAMP AS						
					(EACH INCLUDES)						
		1	<b>108-1434</b>	1	GROMMET						
7	1	1	<b>0L-1143</b>	1	BOLT (3/8-16X2.5-IN)						
8	1	1	<b>7N-8636</b>	1	TUBE AS-OIL (LH)						
9	1	1	<b>7N-8638</b>	1	TUBE AS-OIL (RH)						
10	1	1	<b>7N-8634</b>	2	TUBE AS-DRAIN						
11	1	1	<i>250-1498</i>	1	ELBOW AS						
		1	<b>6V-4589</b>	1	SEAL-O-RING						
		1	<b>250-1497</b>	1	ELBOW						
12	1	1	<b>6V-4589</b>	1	SEAL-O-RING						
13	1	1	<b>9M-4584</b>	1	CONNECTOR						
14	1	1	<b>1W-7214</b>	2	ELBOW-DRAIN						
15	1	1	<b>5P-9890</b>	2	SEAL-O-RING						
16	1	1	<b>252-8374</b>	2	GASKET						
17	1	1	<b>9S-8752</b>	1	NUT-FULL (3/8-16-THD)						

# LUBRICATION SYSTEM

7N-8640 LINES GP-TURBOCHARGER OIL (contd.)

102696216



GRAPHIC #1

<END>

g01355046

# LUBRICATION SYSTEM

## 8N-7712 LINES GP-TURBOCHARGER OIL

S/N: 50Y647-1304

SMCS-1052, 1307

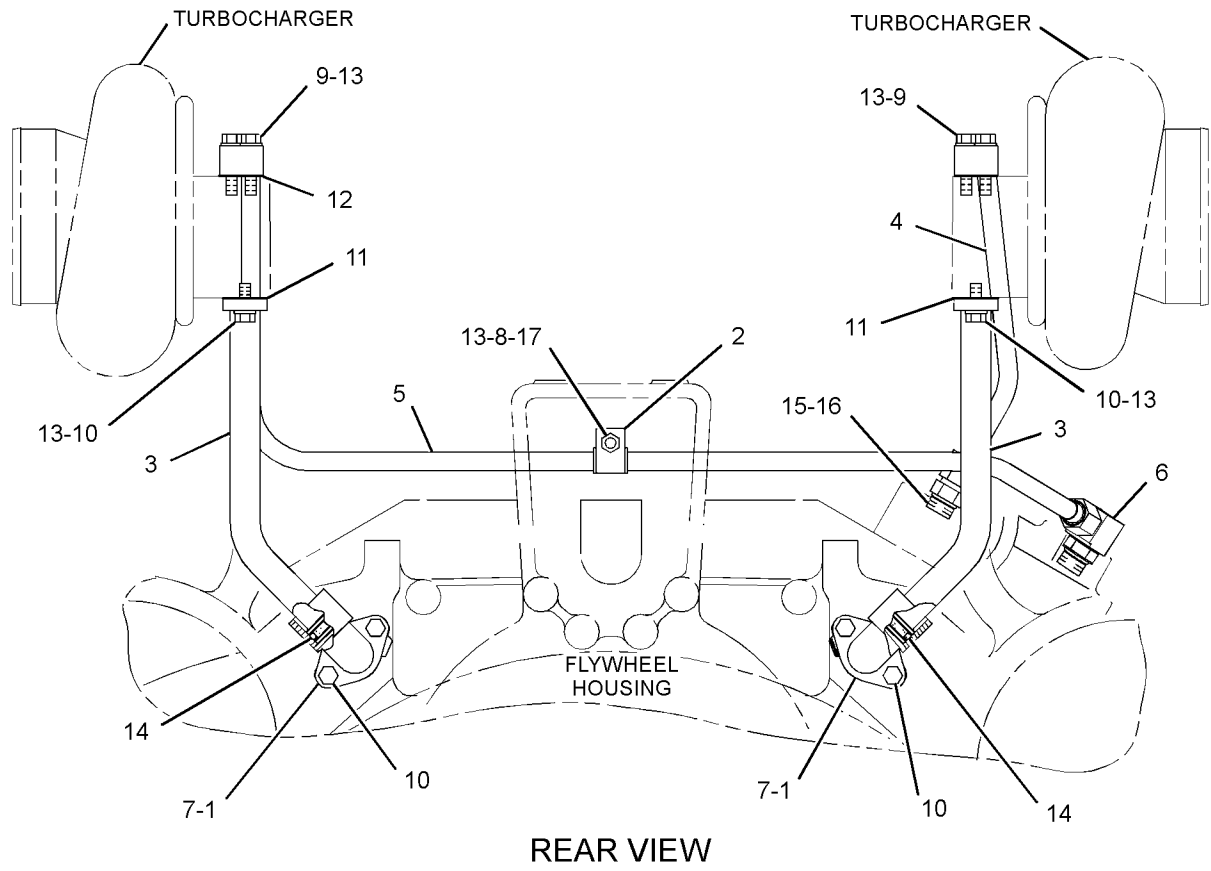
i02701749

NOTE	REF NO	GRAPHIC REF	PART NUMBER	QTY	PART NAME						SEE PAGE
					1	2	3	4	5	6	
	1	1	<b>1W-7214</b>	2	ELBOW-DRAIN						
	2	1	<b>4P-0692</b>	2	CLAMP AS						
					(EACH INCLUDES)						
		1	<b>108-1434</b>	1	GROMMET						
	3	1	<b>7N-8634</b>	2	TUBE AS-DRAIN						
	4	1	<b>8N-8938</b>	1	TUBE AS-SUPPLY						
	5	1	<b>8N-8940</b>	1	TUBE AS-SUPPLY						
	6	1	250-1498	1	ELBOW AS						
		1	<b>6V-4589</b>	1	SEAL-O-RING						
		1	<b>250-1497</b>	1	ELBOW						
	7	1	<b>252-8374</b>	2	GASKET						
	8	1	<b>0L-1143</b>	1	BOLT (3/8-16X2.5-IN)						
	9	1	<b>0S-1571</b>	4	BOLT (3/8-16X1.75-IN)						
	10	1	<b>0S-1594</b>	8	BOLT (3/8-16X1-IN)						
	11	1	<b>1S-4810</b>	2	GASKET-OIL DRAIN						
	12	1	<b>1S-6595</b>	2	GASKET-OIL SUPPLY						
	13	1	<b>5M-2894</b>	9	WASHER-HARD (10.2X18.5X2.5-MM THK)						
	14	1	<b>5P-9890</b>	2	SEAL-O-RING						
	15	1	<b>6V-4589</b>	1	SEAL-O-RING						
	16	1	<b>9M-4584</b>	1	CONNECTOR						
	17	1	<b>9S-8752</b>	1	NUT-FULL (3/8-16-THD)						

# LUBRICATION SYSTEM

8N-7712 LINES GP-TURBOCHARGER OIL (contd.)

i02701749



GRAPHIC #1

<END>

g01357219

# LUBRICATION SYSTEM

## 4P-4926 PUMP & LINES GP-PRELUBRICATION-DEEP SUMP 24-VOLT AN ATTACHMENT TYPE 1

SMCS-1319

i02366001

NOTE	REF NO	GRAPHIC REF	PART NUMBER	QTY	PART NAME 1 2 3 4 5 6 (PRODUCT LEVEL)	SEE PAGE
	1	1	1M-3381	4	SPACER (0.438X0.75X1-IN THK)	
	2	1	1N-3872	2	SUPPORT	
	3	1	1W-3942	1	ELBOW	
	4	1	1W-3943	1	COUPLING	
	5	1	1W-3944	1	FLANGE	
	6	1	1W-4257	1	BRACKET AS	
		1	4K-9097	2	NUT-WELD (5/16-18-THD)	
	7	1	1W-4820	1	HOSE AS	
	8	1	1W-8188	1	ELBOW	
	9	1	2G-6303	1	SEAL	
	10	1	2G-6304	1	STRAINER AS (ENGINE OIL)	
	11	1	2W-0694	1	ELBOW AS-VALVE	
		1	1P-5274	1	PIN-VALVE SPRING	
		1	7L-0811	1	DOWEL	
		1	9B-0701	2	SPRING	
		1	9H-2367	1	SPRING-VALVE	
		1	9L-0672	1	VALVE-CHECK	
	12	1	3F-2065	1	LOCKNUT (1/2-14-THD)	
Y	13	1	3T-3735	1	PUMP GP-PRELUBRICATION	569
I	14	1	4P-4927	1	HOSE AS	
	15	1	5N-8943	1	ADAPTER	
	16	1	5N-9073	1	CLIP	
	17	1	6I-0744	1	BRACKET	
	18	1	7N-6460	1	TUBE	
	19	1	251-9436	1	BRACKET AS	
	20	1	032-1267	1	CONNECTOR (STRAIGHT)	
	21	1	033-6042	1	SEAL-O-RING	
	22	1	0L-1351	2	BOLT (3/8-16X0.875-IN)	
	23	1	0S-1588	3	BOLT (3/8-16X1.25-IN)	
	24	1	0S-1591	2	BOLT (3/8-16X1.5-IN)	
	25	1	0S-1594	4	BOLT (3/8-16X1-IN)	
	26	1	0S-1608	2	BOLT (3/8-16X3.75-IN)	
	27	1	0S-1617	8	BOLT (5/16-18X0.75-IN)	
	28	1	1A-5822	4	BOLT (1/2-13X2.75-IN)	
	29	1	2B-2694	4	BOLT (5/16-18X2-IN)	
	30	1	2B-2695	2	BOLT (5/16-18X0.875-IN)	
	31	1	2R-6806	1	CONNECTOR	
	32	1	5M-2894	12	WASHER-HARD (10.2X18.5X2.5-MM THK)	
	33	1	5P-5846	2	SEAL-O-RING	
	34	1	5P-9890	4	SEAL-O-RING	
	35	1	6V-5100	2	SEAL-O-RING	
	36	1	7X-7731	1	PLUG-PIPE (3/4-14-THD)	
	37	1	8T-4205	4	WASHER-HARD (7.2X14.5X2-MM THK)	
	38	1	8T-9364	4	BOLT (1/4-20X0.625-IN)	
	39	1	9M-1974	6	WASHER-HARD (8.8X16X2-MM THK)	
	40	1	9S-8752	3	NUT-FULL (3/8-16-THD)	

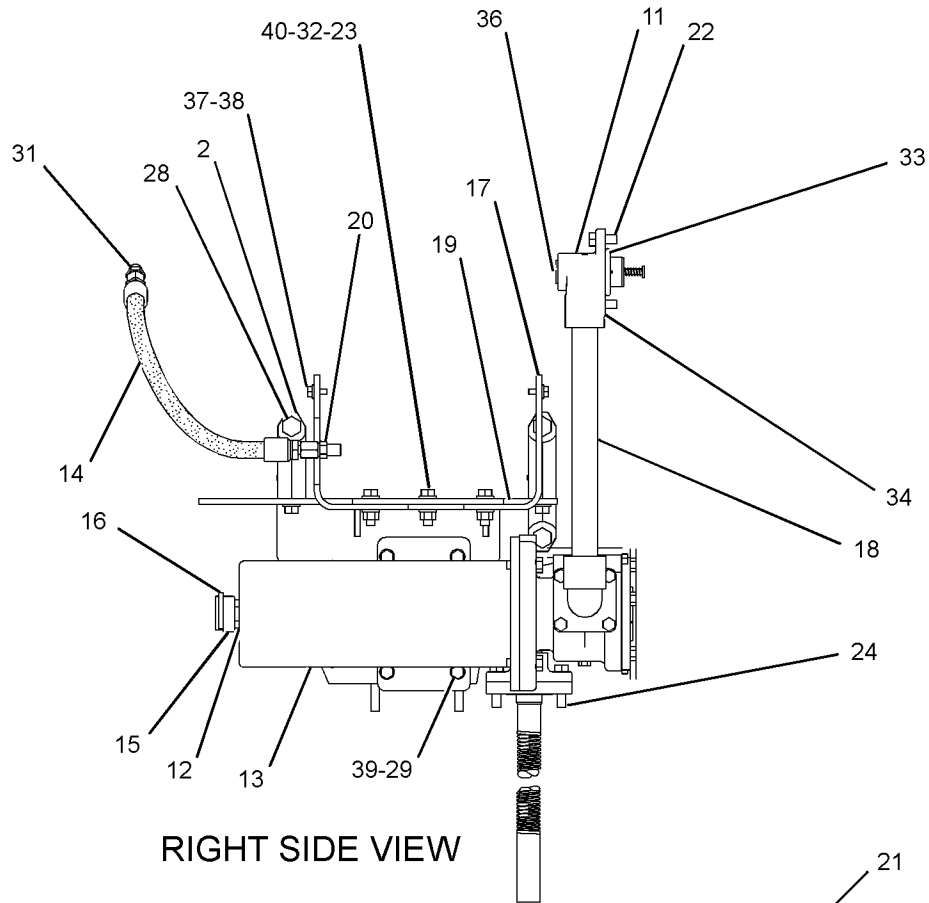


# LUBRICATION SYSTEM

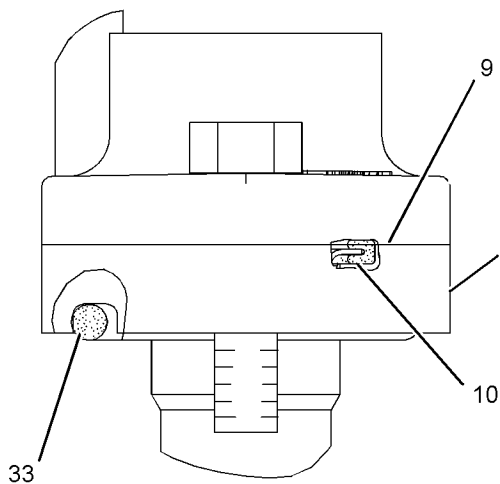
4P-4926 PUMP & LINES GP-PRELUBRICATION (contd.)

i02366001

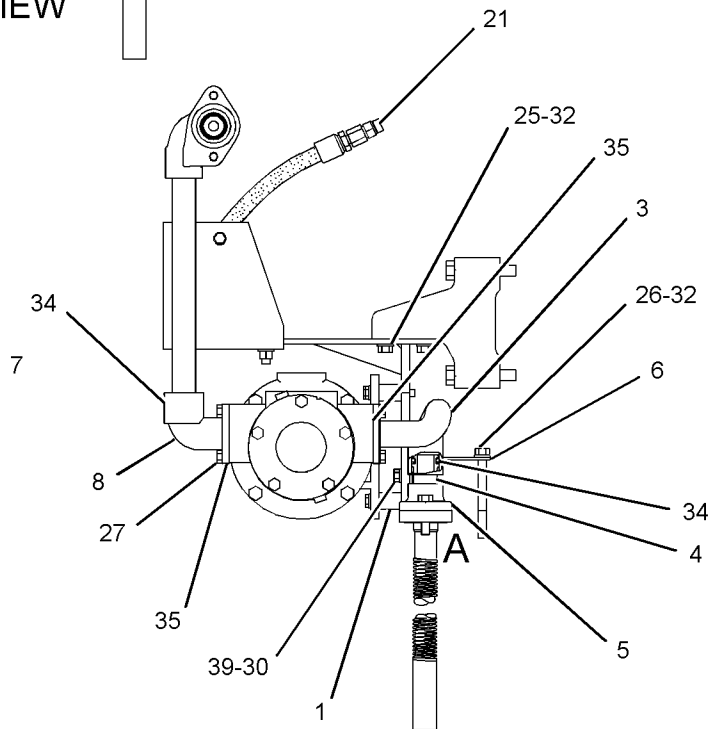
NOTE	REF NO	GRAPHIC REF	PART NUMBER	QTY	PART NAME						SEE PAGE	
					1	2	3	4	5	6	(PRODUCT LEVEL)	
I - REFER TO HYDRAULIC INFORMATION SYSTEM												
Y - SEPARATE ILLUSTRATION												



RIGHT SIDE VIEW



VIEW OF AREA A



FRONT VIEW

# LUBRICATION SYSTEM

## 4P-4926 PUMP & LINES GP-PRELUBRICATION-DEEP SUMP 24-VOLT AN ATTACHMENT TYPE 2

SMCS-1319

i07223248

NOTE	REF NO	GRAPHIC REF	PART NUMBER	QTY	PART NAME 1 2 3 4 5 6 (PRODUCT LEVEL)	SEE PAGE
	1	1	1M-3381	4	SPACER (0.438X0.75X1-IN THK)	
	2	1	1N-3872	2	SUPPORT	
	3	1	1W-3942	1	ELBOW	
	4	1	1W-3943	1	COUPLING	
	5	1	1W-3944	1	FLANGE	
	6	1	1W-4257	1	BRACKET AS	
		1	4K-9097	2	NUT-WELD (5/16-18-THD)	
	7	1	1W-4820	1	HOSE AS	
	8	1	1W-8188	1	ELBOW	
	9	1	2G-6303	1	SEAL	
	10	1	2G-6304	1	STRAINER AS (ENGINE OIL)	
	11	1	2W-0694	1	ELBOW AS-VALVE	
		1	6T-7034	1	PIN-VALVE SPRING	
		1	7L-0811	1	DOWEL	
		1	9B-0701	2	SPRING	
		1	9H-2367	1	SPRING-VALVE	
		1	9L-0672	1	VALVE-CHECK	
	12	1	4P-4890	1	NUT-SPECIAL (1/2-14-THD)	
CY	13	1	302-8729	1	PUMP GP-PRELUBRICATION	563
I	14	1	4P-4927	1	HOSE AS	
	15	1	5N-8943	1	ADAPTER	
	16	1	5N-9073	1	CLIP	
	17	1	6I-0744	1	BRACKET	
	18	1	7N-6460	1	TUBE	
	19	1	251-9436	1	BRACKET AS	
	20	1	032-1267	1	CONNECTOR (STRAIGHT)	
	22	1	0L-1351	2	BOLT (3/8-16X0.875-IN)	
	23	1	0S-1588	3	BOLT (3/8-16X1.25-IN)	
	24	1	0S-1591	2	BOLT (3/8-16X1.5-IN)	
	25	1	0S-1594	4	BOLT (3/8-16X1-IN)	
	26	1	0S-1608	2	BOLT (3/8-16X3.75-IN)	
	27	1	0S-1617	8	BOLT (5/16-18X0.75-IN)	
	28	1	1A-5822	4	BOLT (1/2-13X2.75-IN)	
	29	1	2B-2694	4	BOLT (5/16-18X2-IN)	
	30	1	2B-2695	2	BOLT (5/16-18X0.875-IN)	
	31	1	2R-6806	1	CONNECTOR	
	32	1	5M-2894	12	WASHER-HARD (10.2X18.5X2.5-MM THK)	
	33	1	5P-5846	2	SEAL-O-RING	
	34	1	112-3540	4	SEAL-O-RING	
	35	1	6V-5100	2	SEAL-O-RING	
	36	1	7X-7731	1	PLUG-PIPE (3/4-14-THD)	
	37	1	8T-4205	4	WASHER-HARD (7.2X14.5X2-MM THK)	
	38	1	8T-9364	4	BOLT (1/4-20X0.625-IN)	
	39	1	9M-1974	6	WASHER-HARD (8.8X16X2-MM THK)	
	40	1	9S-8752	3	NUT-FULL (3/8-16-THD)	
	41	1	214-7568	1	SEAL-O-RING	

# LUBRICATION SYSTEM

4P-4926 PUMP & LINES GP-PRELUBRICATION (contd.)

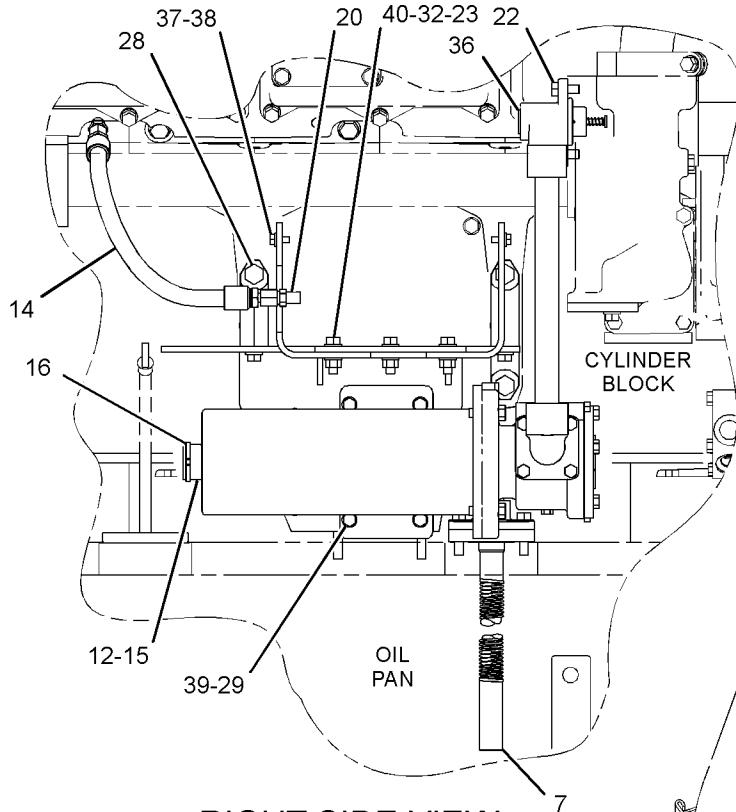
i07223248

NOTE	REF NO	GRAPHIC REF	PART NUMBER	QTY	PART NAME						SEE PAGE
					1	2	3	4	5	6 (PRODUCT LEVEL)	
C - CHANGE FROM PREVIOUS TYPE											
I - REFER TO HYDRAULIC INFORMATION SYSTEM											
Y - SEPARATE ILLUSTRATION											

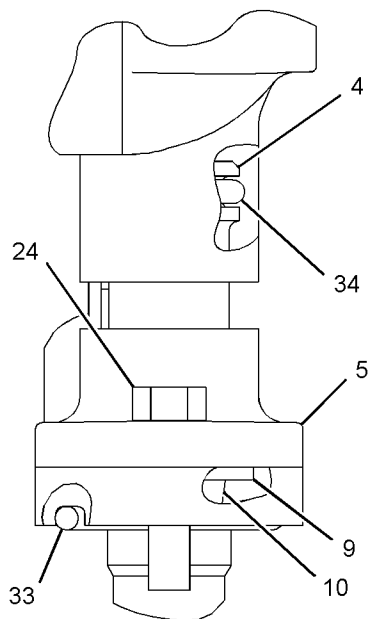
# LUBRICATION SYSTEM

4P-4926 PUMP & LINES GP-PRELUBRICATION (contd.)

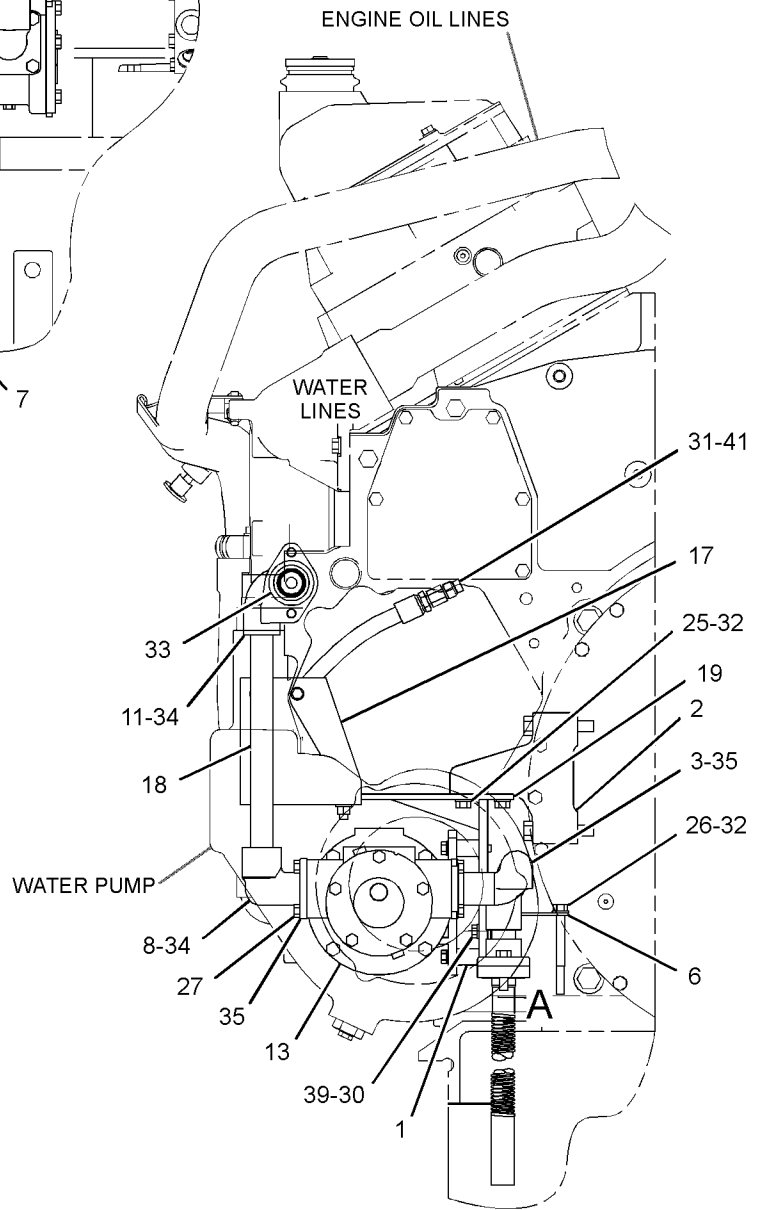
i07223248



RIGHT SIDE VIEW OF ENGINE



VIEW OF AREA A



FRONT VIEW OF ENGINE

GRAPHIC #1

<END>

g03418996

# LUBRICATION SYSTEM

## 2W-5477 PUMP GP-ENGINE OIL-2-SECTION GEAR\*R

S/N: 50Y647-652

PART OF 8N-6152 PUMP GP-ENGINE OIL

SMCS-1304, 1315

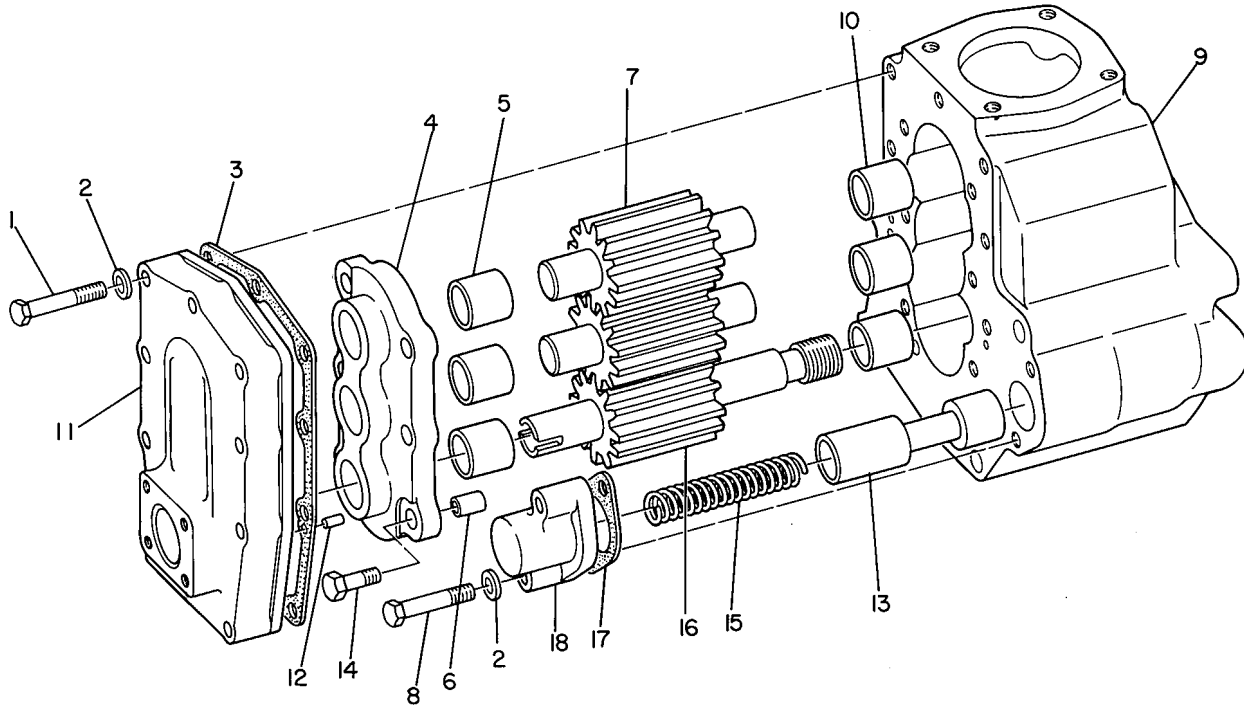
i00119391

NOTE	REF NO	GRAPHIC REF	PART NUMBER	QTY	PART NAME						SEE PAGE
					1	2	3	4	5	6 (PRODUCT LEVEL)	
	1	1	<b>0S-1590</b>	9	BOLT (3/8-16X2-IN)						
	2	1	<b>5M-2894</b>	11	WASHER-HARD (10.2X18.5X2.5-MM THK)						
	3	1	<b>7N-5057</b>	1	GASKET						
	4	1	<b>2W-6695</b>	1	COVER AS-PUMP						
	5	1	<b>1W-6005</b>	3	BUSHING						
	6	1	<b>4M-3248</b>	2	DOWEL-HOLLOW						
	7	1	<b>2W-5479</b>	2	SHAFT AS-PUMP						
	8	1	<b>7F-1866</b>	2	BOLT (3/8-16X3-IN)						
	9	1	<b>2W-5478</b>	1	BODY AS-OIL PUMP						
	10	1	<b>1W-6005</b>	3	BUSHING						
	11	1	<b>1N-4637</b>	1	COVER AS-PUMP						
	12	1	<b>7N-2043</b>	2	DOWEL						
	13	1	<b>7N-5449</b>	1	SPOOL-PRESSURE RELIEF						
	14	1	<b>0S-1585</b>	6	BOLT (1/2-13X1.5-IN)						
	15	1	<b>2S-2760</b>	1	SPRING						
	16	1	<b>2W-6618</b>	1	SHAFT AS-PUMP DRIVE						
	17	1	<b>8B-1615</b>	1	GASKET						
	18	1	<b>7N-5049</b>	1	COVER-RELIEF VALVE						

# LUBRICATION SYSTEM

2W-5477 PUMP GP-ENGINE OIL (contd.)

i00119391



GRAPHIC #1

<END>

g00096766

# LUBRICATION SYSTEM

## 4P-5638 PUMP GP-ENGINE OIL-2-SECTION GEAR\*R

S/N: 50Y898-1304

PART OF 8N-6152 PUMP GP-ENGINE OIL

SMCS-1304, 1315

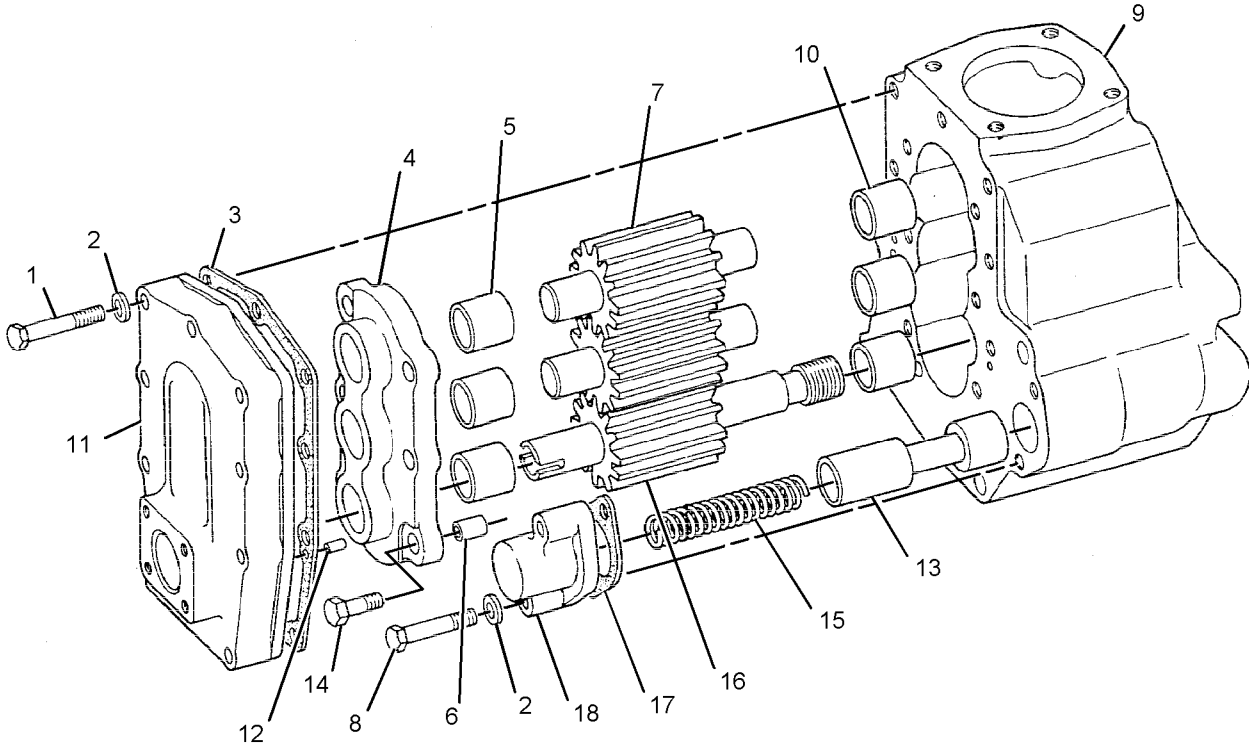
i03694980

NOTE	REF NO	GRAPHIC REF	PART NUMBER	QTY	PART NAME						SEE PAGE
					1	2	3	4	5	6 (PRODUCT LEVEL)	
	1	1	<b>0S-1590</b>	9	BOLT (3/8-16X2-IN)						
	2	1	<b>5M-2894</b>	11	WASHER-HARD (10.2X18.5X2.5-MM THK)						
	3	1	<b>7N-5057</b>	1	GASKET						
	4	1	<b>7W-0050</b>	1	COVER AS-PUMP						
	5	1	<b>1W-6005</b>	3	BUSHING						
	6	1	<b>4M-3248</b>	2	DOWEL-HOLLOW						
	7	1	<b>2W-5479</b>	2	SHAFT AS-PUMP						
	8	1	<b>7F-1866</b>	2	BOLT (3/8-16X3-IN)						
	9	1	<b>4P-5637</b>	1	BODY AS-OIL PUMP						
	10	1	<b>1W-6005</b>	3	BUSHING						
	11	1	<b>1N-4637</b>	1	COVER AS-PUMP						
	12	1	<b>7N-2043</b>	2	DOWEL						
	13	1	<b>7N-5449</b>	1	SPOOL-PRESSURE RELIEF						
	14	1	<b>0S-1585</b>	6	BOLT (1/2-13X1.5-IN)						
	15	1	<b>2S-2760</b>	1	SPRING						
	16	1	<b>2W-6618</b>	1	SHAFT AS-PUMP DRIVE						
	17	1	<b>111-1349</b>	1	GASKET						
	18	1	<b>7N-5049</b>	1	COVER-RELIEF VALVE						

# LUBRICATION SYSTEM

4P-5638 PUMP GP-ENGINE OIL (contd.)

i03694980



GRAPHIC #1

<END>

g01123381



# LUBRICATION SYSTEM

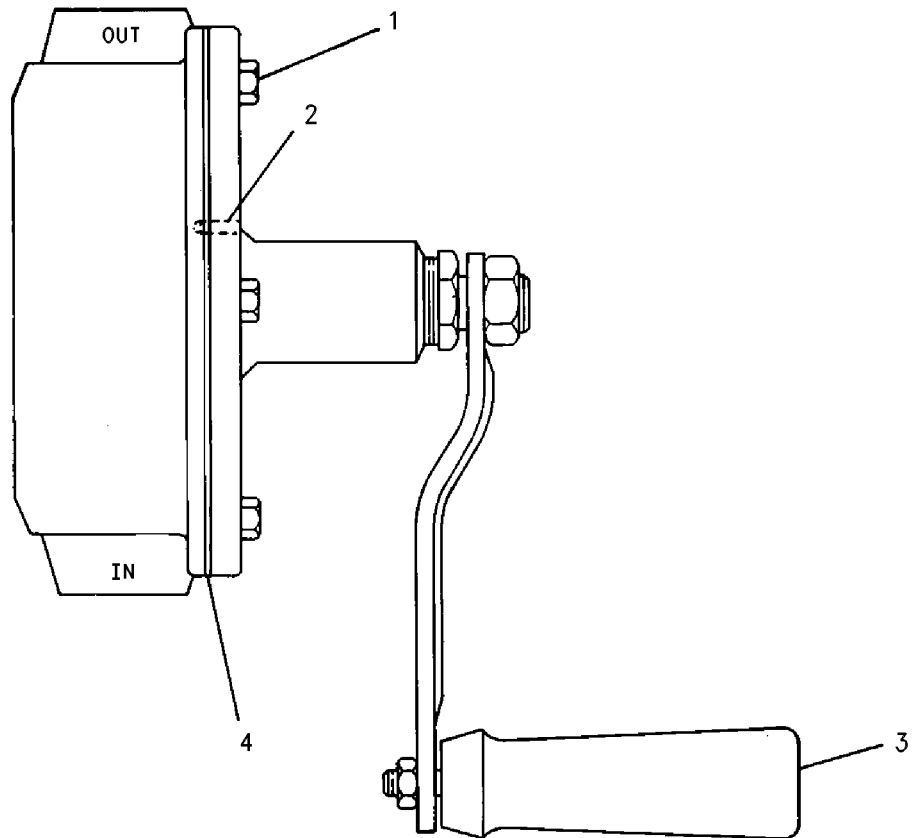
## 5N-6237 PUMP GP-ENGINE OIL-MANUAL LUBRICATION

PART OF 4P-7442, 4W-6252, 4W-6253, 4W-6254, 4W-6255, 7N-7069, 7W-9703, 7W-9704 PUMP  
GP-SUMP  
AN ATTACHMENT

SMCS-1304, 1315

i07403121

NOTE	REF NO	GRAPHIC REF	PART NUMBER	QTY	PART NAME						SEE PAGE
					1	2	3	4	5	6 (PRODUCT LEVEL)	
	1	1	<b>2A-0762</b>	2	BOLT (1/4-20X0.625-IN)						
	2	1	<b>3N-3297</b>	2	PIN-TAPERED						
	3	1	<b>5N-6255</b>	1	HANDLE AS						
B	4	1	<b>3N-3299</b>	1	GASKET SET (INCLUDES 4 GASKETS)						
					AVAILABLE REPAIR KIT(S):						
			<b>3N-3300</b>	1	KIT-PUMP (SUMP)						
					(INCLUDES VANE, SPRING, PACKING, NUT & GASKET)						
B - USE AS REQUIRED											



GRAPHIC #1

<END>

g00621010

# LUBRICATION SYSTEM

## 7N-8715 PUMP GP-ENGINE OIL-2-SECTION GEAR

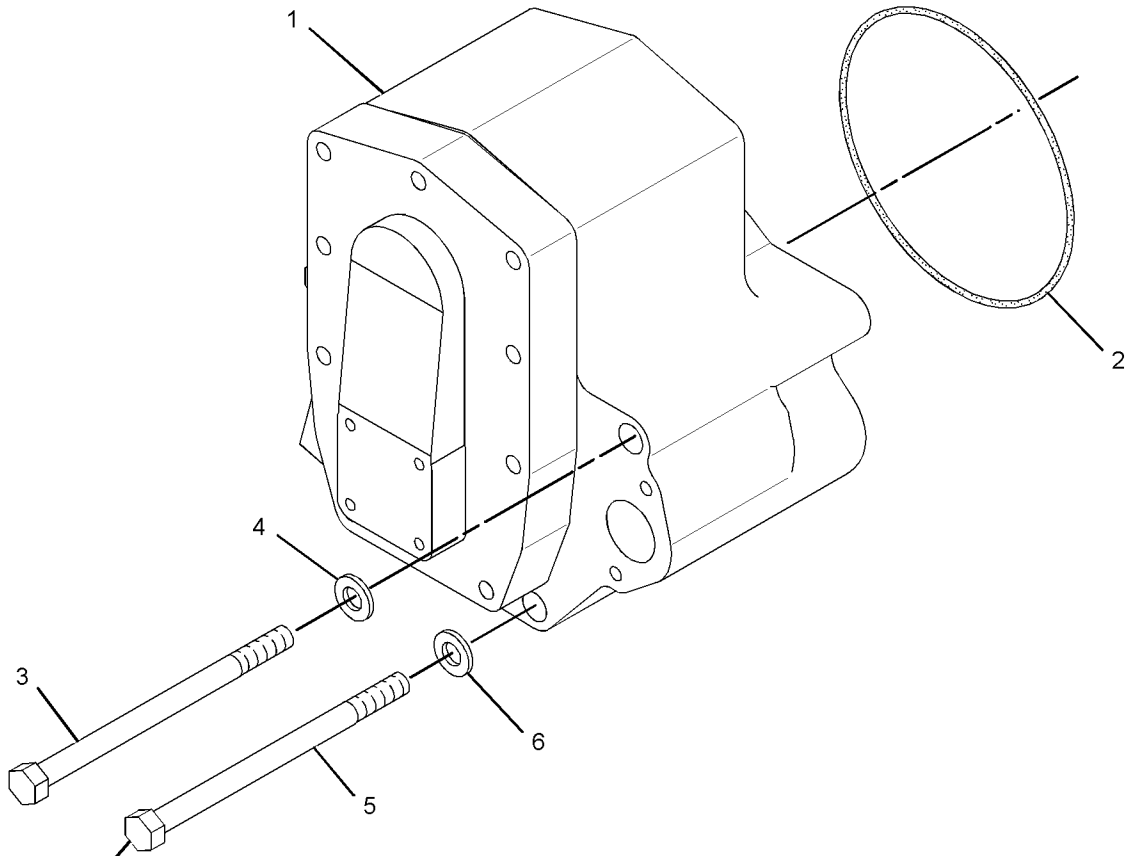
S/N: 66Z190-578

SMCS-1304, 1315

i03477686

NOTE	REF NO	GRAPHIC REF	PART NUMBER	QTY	PART NAME						SEE PAGE
					1	2	3	4	5	6	
CYR	1	1	<b>7W-0053</b>	1	PUMP GP-ENGINE OIL (2-SECTION GEAR)						545
C	2	1	<b>298-6387</b>	1	SEAL-O-RING						
	3	1	<b>4S-5882</b>	1	BOLT (1/2-13X7.25-IN)						
	4	1	<b>5P-8245</b>	1	WASHER-HARD (13.5X25.5X3-MM THK)						
B	5	1	<b>4S-5882</b>	2	BOLT (1/2-13X7.25-IN)						
B	6	1	<b>5P-8245</b>	2	WASHER-HARD (13.5X25.5X3-MM THK)						

B - USE AS REQUIRED  
 C - CHANGE FROM PREVIOUS TYPE  
 R - REMANUFACTURED PART MAY BE AVAILABLE  
 Y - SEPARATE ILLUSTRATION



MOUNTS TO  
FRONT DRIVE  
ACCESSORY  
HOUSING

GRAPHIC #1

<END>

g01350464

# LUBRICATION SYSTEM

## 7W-0053 PUMP GP-ENGINE OIL-2-SECTION GEAR\*R

S/N: 66Z190-578

PART OF 7N-8715 PUMP GP-ENGINE OIL

SMCS-1304, 1315

i02693106

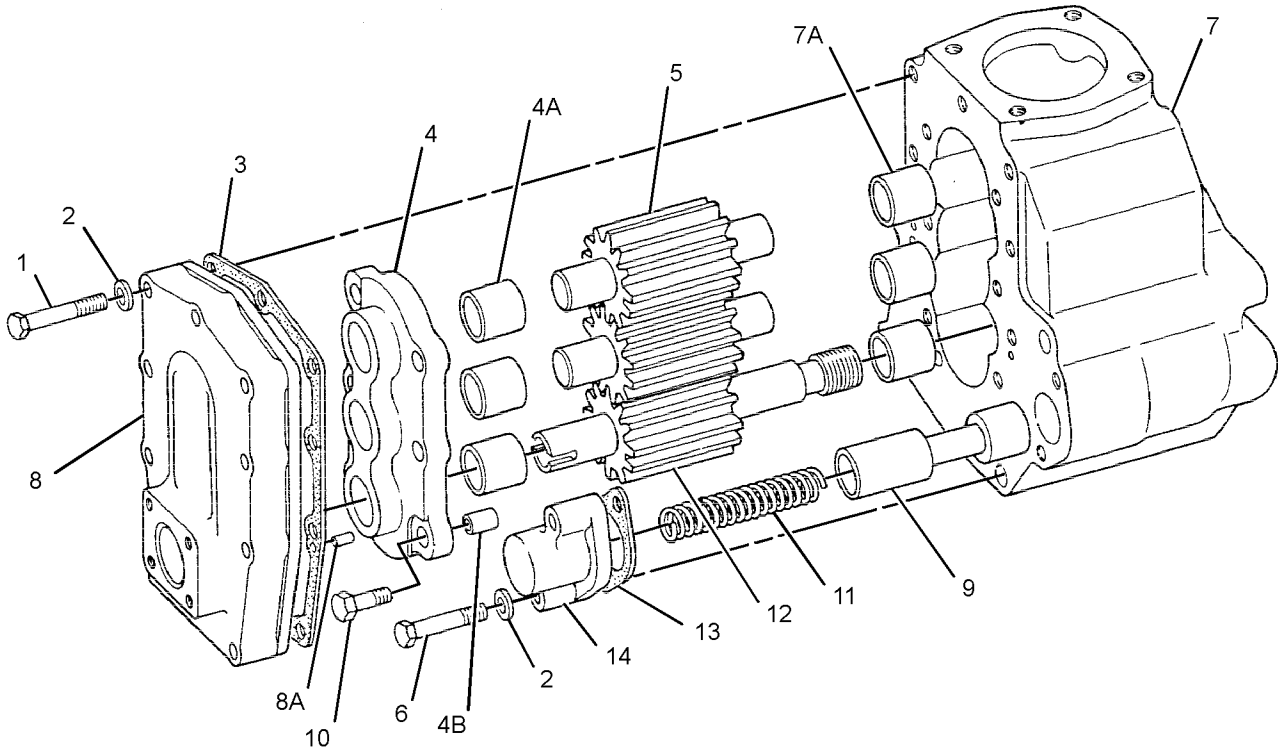
NOTE	REF NO	GRAPHIC REF	PART NUMBER	QTY	PART NAME						SEE PAGE
					1	2	3	4	5	6 (PRODUCT LEVEL)	
	1	1	<b>0S-1590</b>	9	BOLT (3/8-16X2-IN)						
	2	1	<b>5M-2894</b>	11	WASHER-HARD (10.2X18.5X2.5-MM THK)						
	3	1	<b>7N-5057</b>	1	GASKET						
	4	1	<b>7W-0050</b>	1	COVER AS-PUMP						
	4A	1	<b>1W-6005</b>	3	BUSHING						
	4B	1	<b>4M-3248</b>	2	DOWEL-HOLLOW						
	5	1	<b>2W-5476</b>	2	SHAFT AS-IDLER						
	6	1	<b>7F-1866</b>	2	BOLT (3/8-16X3-IN)						
	7	1	<b>7W-0051</b>	1	BODY AS-OIL PUMP						
C	7A	1	<b>1W-6005</b>	3	BUSHING						
	8	1	<b>1N-4637</b>	1	COVER AS-PUMP						
	8A	1	<b>7N-2043</b>	2	DOWEL						
	9	1	<b>7N-5449</b>	1	SPOOL-PRESSURE RELIEF						
	10	1	<b>0S-1585</b>	6	BOLT (1/2-13X1.5-IN)						
	11	1	<b>2S-2760</b>	1	SPRING						
	12	1	<b>2W-6619</b>	1	SHAFT AS-PUMP DRIVE						
	13	1	<b>111-1349</b>	1	GASKET						
	14	1	<b>7N-5049</b>	1	COVER-RELIEF VALVE						

C - CHANGE FROM PREVIOUS TYPE

# LUBRICATION SYSTEM

7W-0053 PUMP GP-ENGINE OIL (contd.)

i02693106



GRAPHIC #1

<END>

g01351092

# LUBRICATION SYSTEM

## 7W-0054 PUMP GP-ENGINE OIL\*R

S/N: 50Y653-897

PART OF 8N-6152 PUMP GP-ENGINE OIL

SMCS-1304, 1315

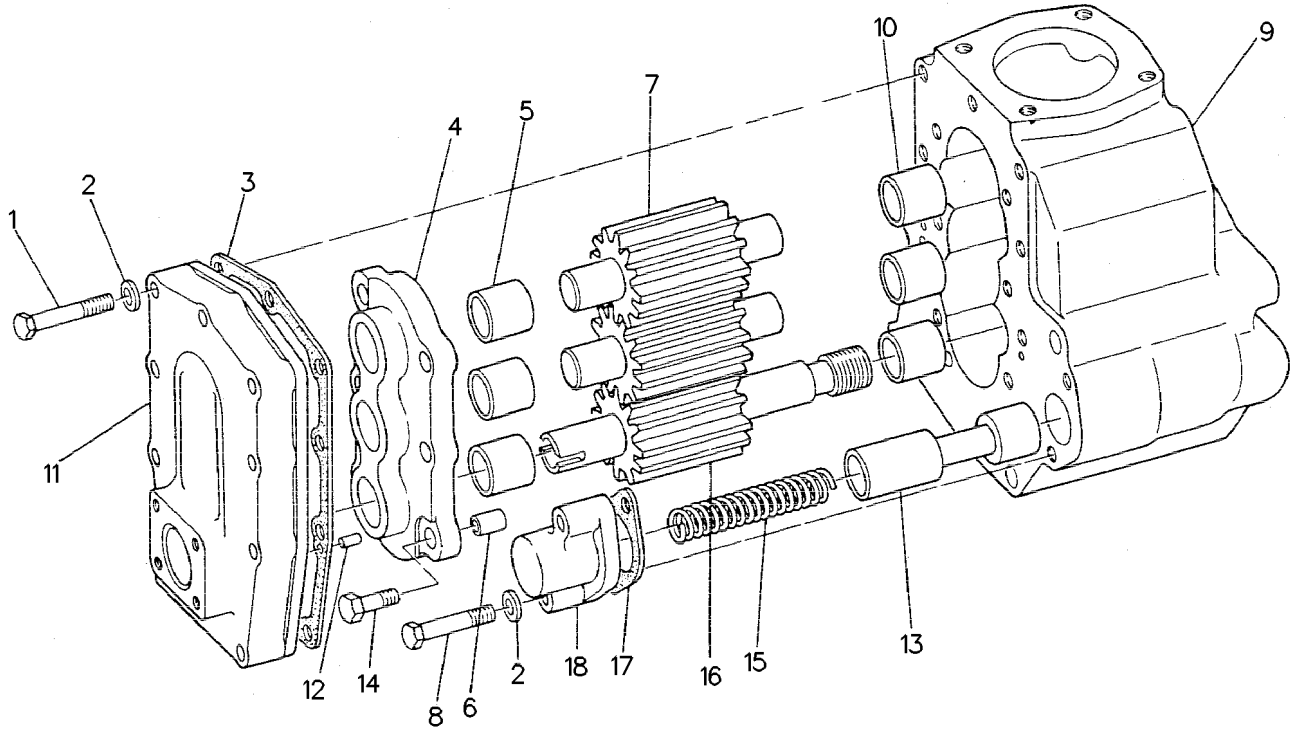
i00095615

NOTE	REF NO	GRAPHIC REF	PART NUMBER	QTY	PART NAME						SEE PAGE
					1	2	3	4	5	6 (PRODUCT LEVEL)	
	1	1	<b>0S-1590</b>	9	BOLT (3/8-16X2-IN)						
	2	1	<b>5M-2894</b>	11	WASHER-HARD (10.2X18.5X2.5-MM THK)						
	3	1	<b>7N-5057</b>	1	GASKET						
	4	1	<b>7W-0050</b>	1	COVER AS-PUMP						
	5	1	<b>1W-6005</b>	3	BUSHING						
	6	1	<b>4M-3248</b>	2	DOWEL-HOLLOW						
	7	1	<b>2W-5479</b>	2	SHAFT AS-PUMP						
	8	1	<b>7F-1866</b>	2	BOLT (3/8-16X3-IN)						
	9	1	<b>7W-0052</b>	1	BODY AS-PUMP						
	10	1	<b>1W-6005</b>	3	BUSHING						
	11	1	<b>1N-4637</b>	1	COVER AS-PUMP						
	12	1	<b>7N-2043</b>	2	DOWEL						
	13	1	<b>7N-5449</b>	1	SPOOL-PRESSURE RELIEF						
	14	1	<b>0S-1585</b>	6	BOLT (1/2-13X1.5-IN)						
	15	1	<b>2S-2760</b>	1	SPRING						
	16	1	<b>2W-6618</b>	1	SHAFT AS-PUMP DRIVE						
	17	1	<b>8B-1615</b>	1	GASKET						
	18	1	<b>7N-5049</b>	1	COVER-RELIEF VALVE						

# LUBRICATION SYSTEM

7W-0054 PUMP GP-ENGINE OIL (contd.)

i00095615



GRAPHIC #1

<END>

g00082052

# LUBRICATION SYSTEM

## 8N-6152 PUMP GP-ENGINE OIL-2-SECTION GEAR

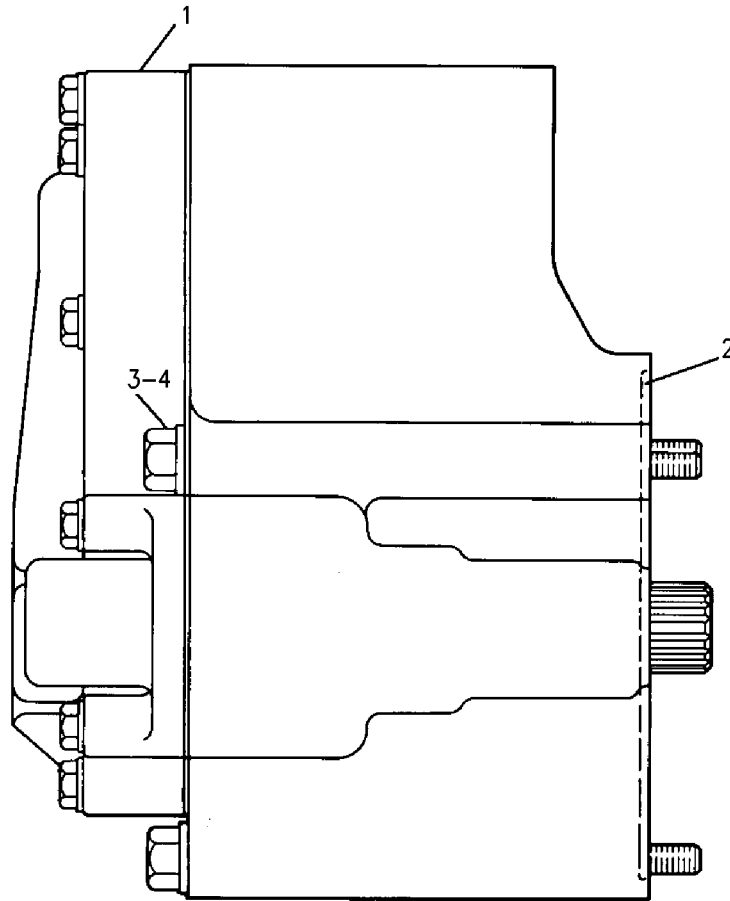
S/N: 50Y647-652

SMCS-1304, 1315

i01191631

NOTE	REF NO	GRAPHIC REF	PART NUMBER	QTY	PART NAME						SEE PAGE
					1	2	3	4	5	6 (PRODUCT LEVEL)	
CYR	1	1	2W-5477	1	PUMP GP-ENGINE OIL						539
	2	1	6F-4718	1	SEAL-O-RING						
	3	1	4S-5882	3	BOLT (1/2-13X7.25-IN)						
	4	1	5P-8245	3	WASHER-HARD (13.5X25.5X3-MM THK)						

C - CHANGE FROM PREVIOUS TYPE  
 R - REMANUFACTURED PART MAY BE AVAILABLE  
 Y - SEPARATE ILLUSTRATION



GRAPHIC #1

<END>

g00637732

# LUBRICATION SYSTEM

## 8N-6152 PUMP GP-ENGINE OIL-2-SECTION GEAR

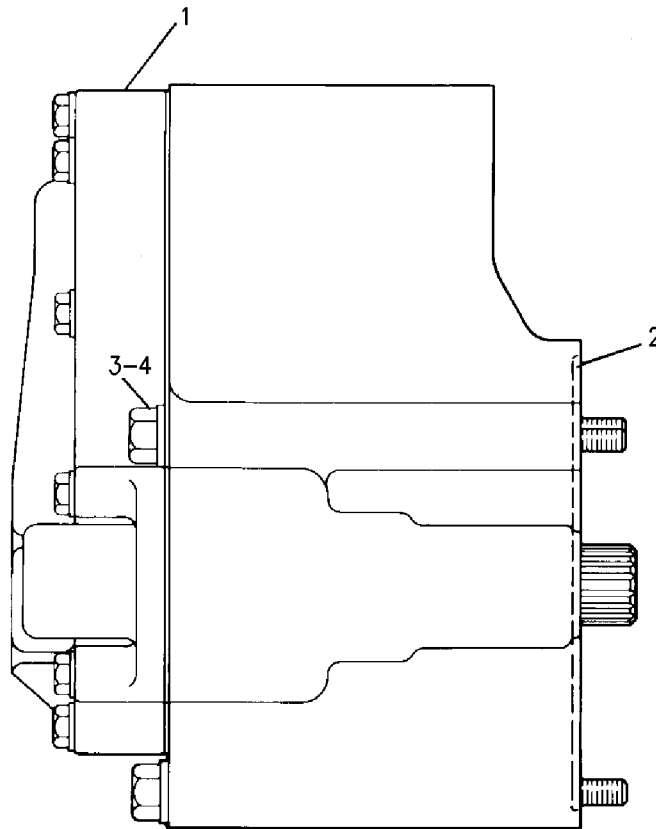
S/N: 50Y647-897

SMCS-1304, 1315

i01191629

NOTE	REF NO	GRAPHIC REF	PART NUMBER	QTY	PART NAME						SEE PAGE
					1	2	3	4	5	6 (PRODUCT LEVEL)	
CYR	1	1	7W-0054	1	PUMP GP-ENGINE OIL						547
C	2	1	6V-7681	1	SEAL-O-RING						
	3	1	4S-5882	3	BOLT (1/2-13X7.25-IN)						
	4	1	5P-8245	3	WASHER-HARD (13.5X25.5X3-MM THK)						

C - CHANGE FROM PREVIOUS TYPE  
 R - REMANUFACTURED PART MAY BE AVAILABLE  
 Y - SEPARATE ILLUSTRATION



GRAPHIC #1

<END>

g00637728



# LUBRICATION SYSTEM

## 8N-6152 PUMP GP-ENGINE OIL-2-SECTION GEAR

S/N: 50Y898-1304

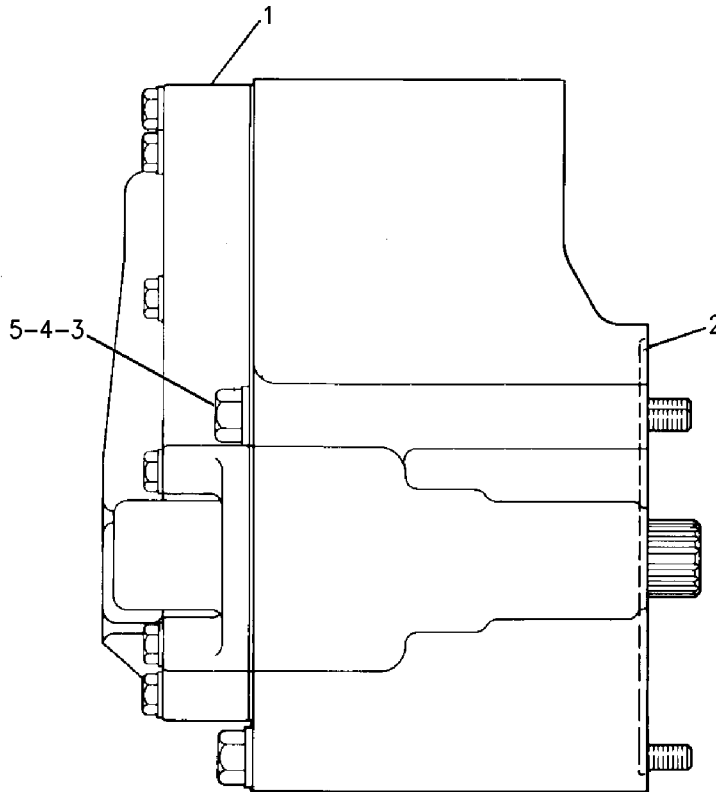
PART OF 357-0858, 376-4849 ENGINE AR-COMplete

SMCS-1304, 1315

i02639836

NOTE	REF NO	GRAPHIC REF	PART NUMBER	QTY	PART NAME						SEE PAGE
					1	2	3	4	5	6 (PRODUCT LEVEL)	
CYR	1	1	<b>4P-5638</b>	1	PUMP GP-ENGINE OIL (2-SECTION GEAR)						541
	2	1	<b>298-6387</b>	1	SEAL-O-RING						
	3	1	<b>4S-5882</b>	3	BOLT (1/2-13X7.25-IN)						
	4	1	<b>5P-8245</b>	3	WASHER-HARD (13.5X25.5X3-MM THK)						
C	5	1	<b>9M-4355</b>	3	DAMPER-BOLT						

C - CHANGE FROM PREVIOUS TYPE  
R - REMANUFACTURED PART MAY BE AVAILABLE  
Y - SEPARATE ILLUSTRATION



GRAPHIC #1

<END>

g00637724

# LUBRICATION SYSTEM

## 1W-4670 PUMP GP-PRELUBRICATION

115-230 VOLT AC, 60 HERTZ

AN ATTACHMENT

SMCS-1319

i00928848

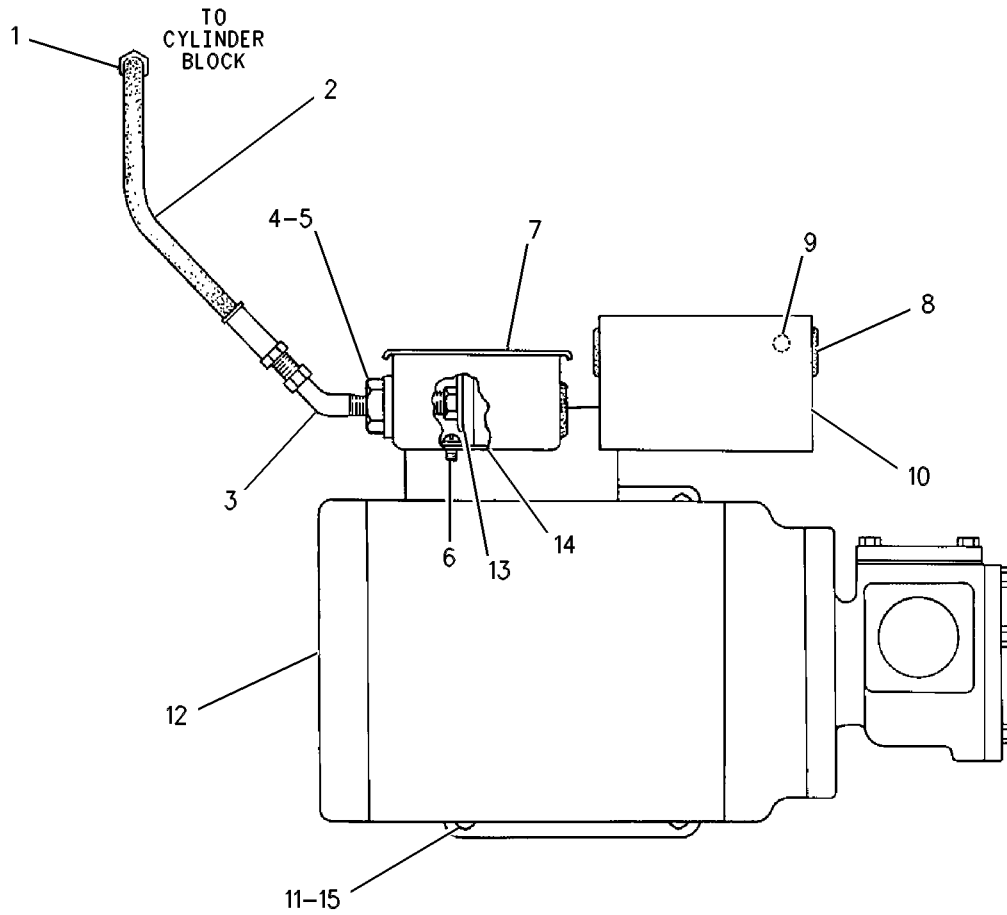
NOTE	REF NO	GRAPHIC REF	PART NUMBER	QTY	PART NAME	SEE PAGE
					1 2 3 4 5 6 (PRODUCT LEVEL)	
C	1	1	<b>4M-5317</b>	1	BUSHING-REDUCER	
CI	2	1	<b>3N-4579</b>	1	HOSE AS	
C	3	1	<b>5J-7303</b>	1	ELBOW	
	4	1	<b>0L-1325</b>	1	WASHER (0.78X1.3125X0.125-IN THK)	
	5	1	<b>9M-7357</b>	1	COUPLING AS	
	6	1	<b>4B-1243</b>	2	SCREW-MACHINE (12-24X0.5-IN)	
	7	1	<b>2H-1259</b>	1	COVER-BOX DOOR	
	8	1	<b>5L-2579</b>	3	GROMMET	
	9	1	<b>4B-1227</b>	3	SCREW-MACHINE (10-24X3/8-IN)	
	10	1	<b>7L-5219</b>	1	RELAY AS	
	11	1	<b>0S-0509</b>	4	BOLT (3/8-16X0.75-IN)	
Y	12	1	<i>3T-3679</i>	1	PUMP GP-PRELUBRICATION	565
	13	1	<b>3N-1400</b>	1	SWITCH AS-PRESSURE (OIL PRESSURE)	
	14	1	<b>2H-1258</b>	1	BOX-ELECTRICAL	
	15	1	<b>5M-2894</b>	4	WASHER-HARD (10.2X18.5X2.5-MM THK)	
		1	<b>2N-4544</b>	1	KIT-PUMP WIRE	
(INCLUDES WIRE, TERMINALS, TIES & SPLICE)						

C - CHANGE FROM PREVIOUS TYPE  
 I - REFER TO HYDRAULIC INFORMATION SYSTEM  
 Y - SEPARATE ILLUSTRATION

# LUBRICATION SYSTEM

1W-4670 PUMP GP-PRELUBRICATION (contd.)

i00928848



GRAPHIC #1

<END>

g00350318

# LUBRICATION SYSTEM

## 1W-4671 PUMP GP-PRELUBRICATION

115-230 VOLT AC, 0 HERTZ

AN ATTACHMENT

SMCS-1319

i00930701

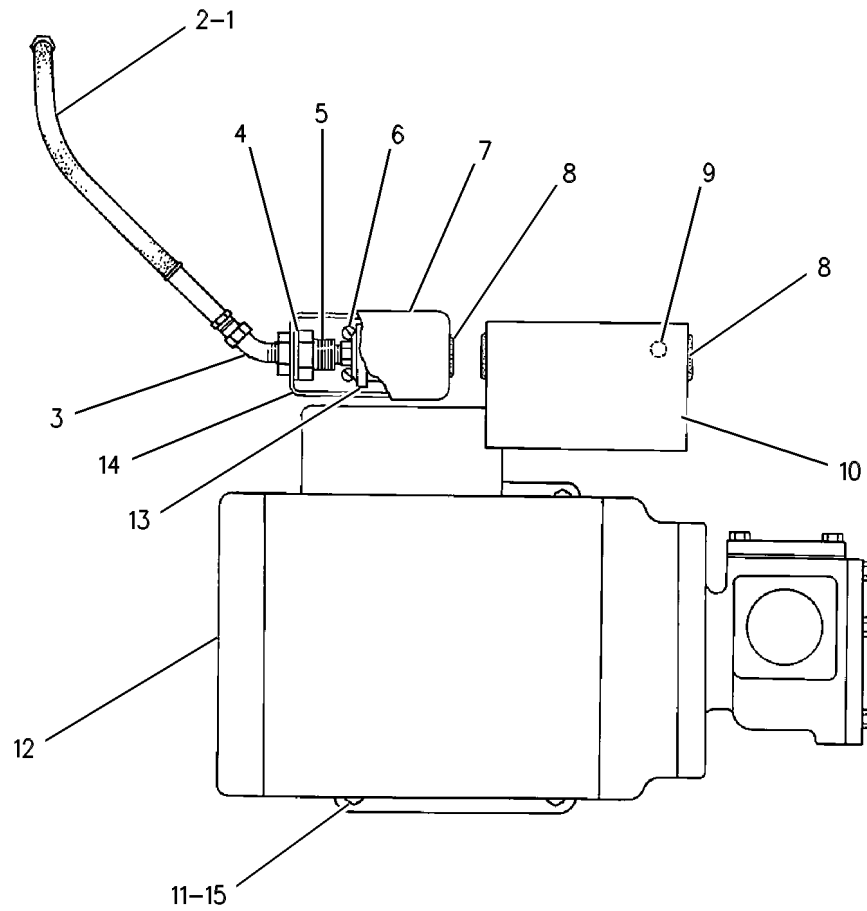
NOTE	REF NO	GRAPHIC REF	PART NUMBER	QTY	PART NAME	SEE PAGE
					1 2 3 4 5 6 (PRODUCT LEVEL)	
C	1	1	<b>4M-5317</b>	1	BUSHING-REDUCER	
CI	2	1	<b>3N-4579</b>	1	HOSE AS	
C	3	1	<b>5J-7303</b>	1	ELBOW	
	4	1	<b>0L-1325</b>	1	WASHER (0.78X1.3125X0.125-IN THK)	
	5	1	<b>9M-7357</b>	1	COUPLING AS	
	6	1	<b>4B-1243</b>	2	SCREW-MACHINE (12-24X0.5-IN)	
		1	<b>3B-4503</b>	2	LOCKWASHER	
	7	1	<b>2H-1259</b>	1	COVER-BOX DOOR	
	8	1	<b>5L-2579</b>	3	GROMMET	
	9	1	<b>4B-1227</b>	3	SCREW-MACHINE (10-24X3/8-IN)	
		1	<b>3B-4502</b>	3	LOCKWASHER	
	10	1	<b>7L-5219</b>	1	RELAY AS	
	11	1	<b>0S-0509</b>	4	BOLT (3/8-16X0.75-IN)	
Y	12	1	<b>3T-3733</b>	1	PUMP GP-PRELUBRICATION	566
	13	1	<b>3N-1400</b>	1	SWITCH AS-PRESSURE	
	14	1	<b>2H-1258</b>	1	BOX-ELECTRICAL	
	15	1	<b>5M-2894</b>	4	WASHER-HARD (10.2X18.5X2.5-MM THK)	

C - CHANGE FROM PREVIOUS TYPE  
 I - REFER TO HYDRAULIC INFORMATION SYSTEM  
 Y - SEPARATE ILLUSTRATION

# LUBRICATION SYSTEM

1W-4671 PUMP GP-PRELUBRICATION (contd.)

i00930701



GRAPHIC #1

<END>

g00296148

# LUBRICATION SYSTEM

## 1W-4672 PUMP GP-PRELUBRICATION

32 VOLT DC  
AN ATTACHMENT

SMCS-1319

i00968710

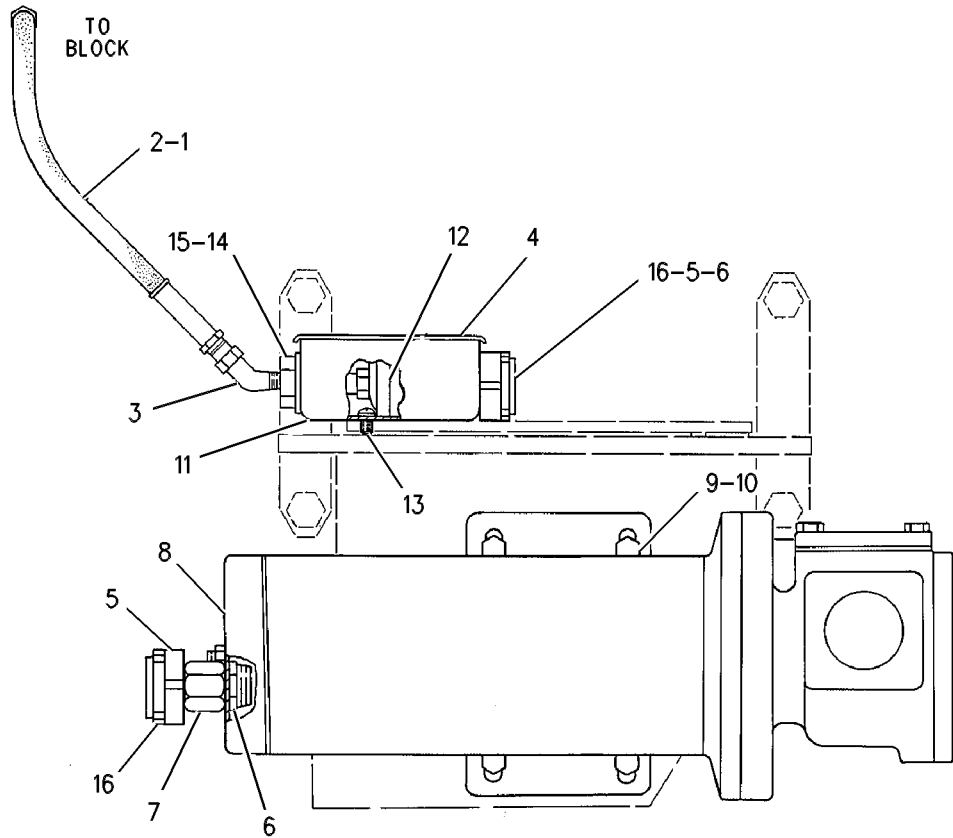
NOTE	REF NO	GRAPHIC REF	PART NUMBER	QTY	PART NAME						SEE PAGE
					1	2	3	4	5	6 (PRODUCT LEVEL)	
C	1	1	<b>4M-5317</b>	1	BUSHING-REDUCER						
CI	2	1	<b>3N-4579</b>	1	HOSE AS						
C	3	1	<b>5J-7303</b>	1	ELBOW						
	4	1	<b>2H-1259</b>	1	COVER-BOX DOOR						
C	5	1	<b>5N-8943</b>	2	ADAPTER						
C	6	1	<b>3F-2065</b>	2	LOCKNUT (1/2-14-THD)						
	7	1	<b>1L-5620</b>	1	ADAPTER						
Y	8	1	<b>3T-3734</b>	1	PUMP GP-PRELUBRICATION						568
	9	1	<b>2B-2694</b>	4	BOLT (5/16-18X2-IN)						
		1	<b>9M-1974</b>	4	WASHER-HARD (8.8X16X2-MM THK)						
	10	1	<b>1M-3381</b>	4	SPACER (0.438X0.75X1-IN THK)						
	11	1	<b>2H-1258</b>	1	BOX-ELECTRICAL						
	12	1	<b>3N-1400</b>	1	SWITCH AS-PRESSURE (OIL PRESSURE)						
	13	1	<b>4B-1243</b>	2	SCREW-MACHINE (12-24X0.5-IN)						
		1	<b>3B-4503</b>	2	LOCKWASHER						
	14	1	<b>9M-7357</b>	1	COUPLING AS						
	15	1	<b>0L-1325</b>	1	WASHER (0.78X1.3125X0.125-IN THK)						
C	16	1	<b>5N-9073</b>	2	CLIP						

C - CHANGE FROM PREVIOUS TYPE  
I - REFER TO HYDRAULIC INFORMATION SYSTEM  
Y - SEPARATE ILLUSTRATION

# LUBRICATION SYSTEM

1W-4672 PUMP GP-PRELUBRICATION (contd.)

i00968710



GRAPHIC #1

<END>

g00494064

# LUBRICATION SYSTEM

## 1W-4673 PUMP GP-PRELUBRICATION

S/N: 50Y647-834; 66Z190-354

24 VOLT DC  
AN ATTACHMENT

SMCS-1319

i00931512

NOTE	REF NO	GRAPHIC REF	PART NUMBER	QTY	PART NAME						SEE PAGE
					1	2	3	4	5	6 (PRODUCT LEVEL)	
C	1	1	<b>4M-5317</b>	1	BUSHING-REDUCER						
CI	2	1	<b>3N-4579</b>	1	HOSE AS						
C	3	1	<b>5J-7303</b>	1	ELBOW						
	4	1	<b>2H-1259</b>	1	COVER-BOX DOOR						
C	5	1	<b>5N-9073</b>	2	CLIP						
C	6	1	<b>3F-2065</b>	2	LOCKNUT (1/2-14-THD)						
C	7	1	<b>5N-8943</b>	2	ADAPTER						
Y	8	1	<i>3T-3735</i>	1	PUMP GP-PRELUBRICATION						569
	9	1	<b>2B-2694</b>	4	BOLT (5/16-18X2-IN)						
		1	<b>9M-1974</b>	4	WASHER-HARD (8.8X16X2-MM THK)						
	10	1	<b>1M-3381</b>	4	SPACER (0.438X0.75X1-IN THK)						
	11	1	<b>2H-1258</b>	1	BOX-ELECTRICAL						
	12	1	<b>3N-1400</b>	1	SWITCH AS-PRESSURE (OIL PRESSURE)						
	13	1	<b>4B-1243</b>	2	SCREW-MACHINE (12-24X0.5-IN)						
		1	<b>3B-4503</b>	2	LOCKWASHER						
	14	1	<b>9M-7357</b>	1	COUPLING AS						
	15	1	<b>0L-1325</b>	1	WASHER (0.78X1.3125X0.125-IN THK)						

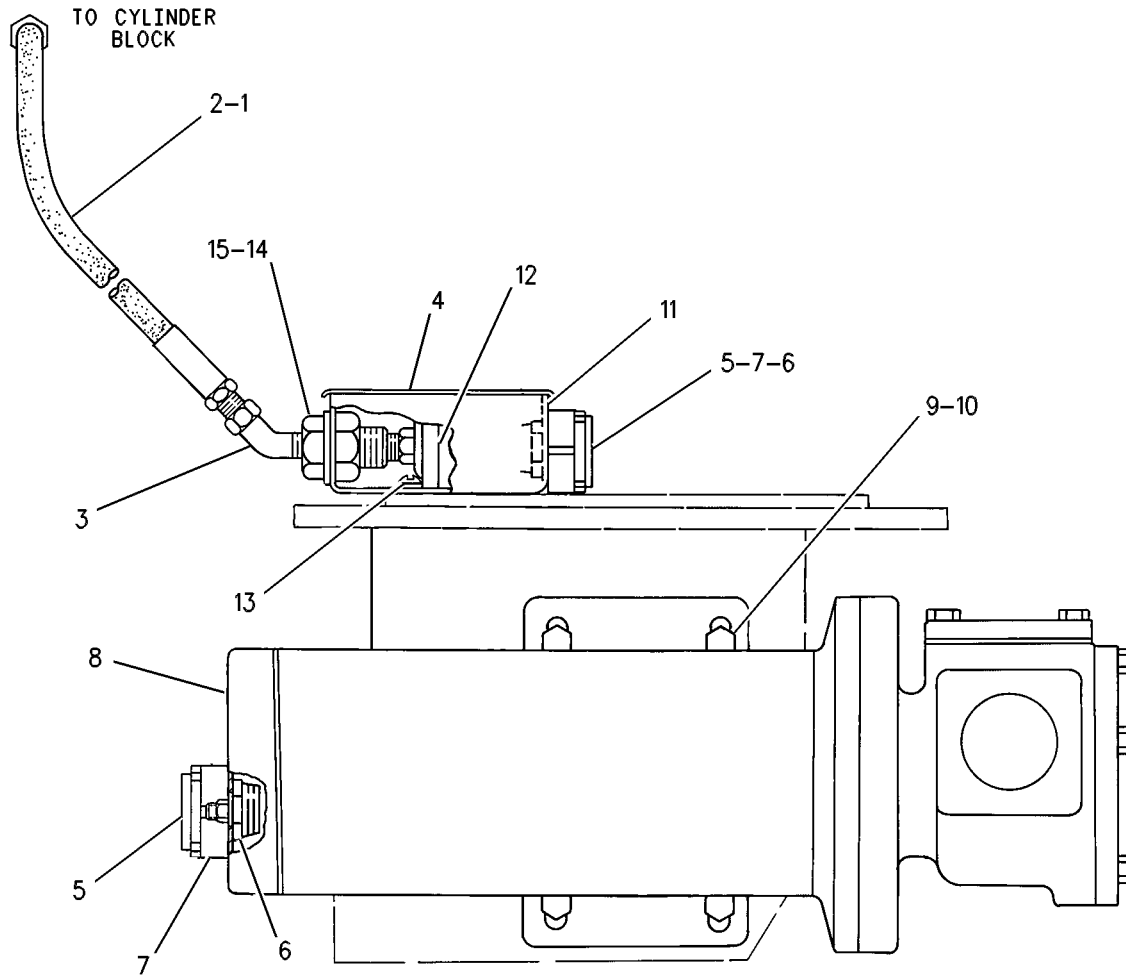
C - CHANGE FROM PREVIOUS TYPE  
 I - REFER TO HYDRAULIC INFORMATION SYSTEM  
 Y - SEPARATE ILLUSTRATION



# LUBRICATION SYSTEM

1W-4673 PUMP GP-PRELUBRICATION (contd.)

i00931512



GRAPHIC #1

<END>

g00296143

# LUBRICATION SYSTEM

## 1W-4674 PUMP GP-PRELUBRICATION

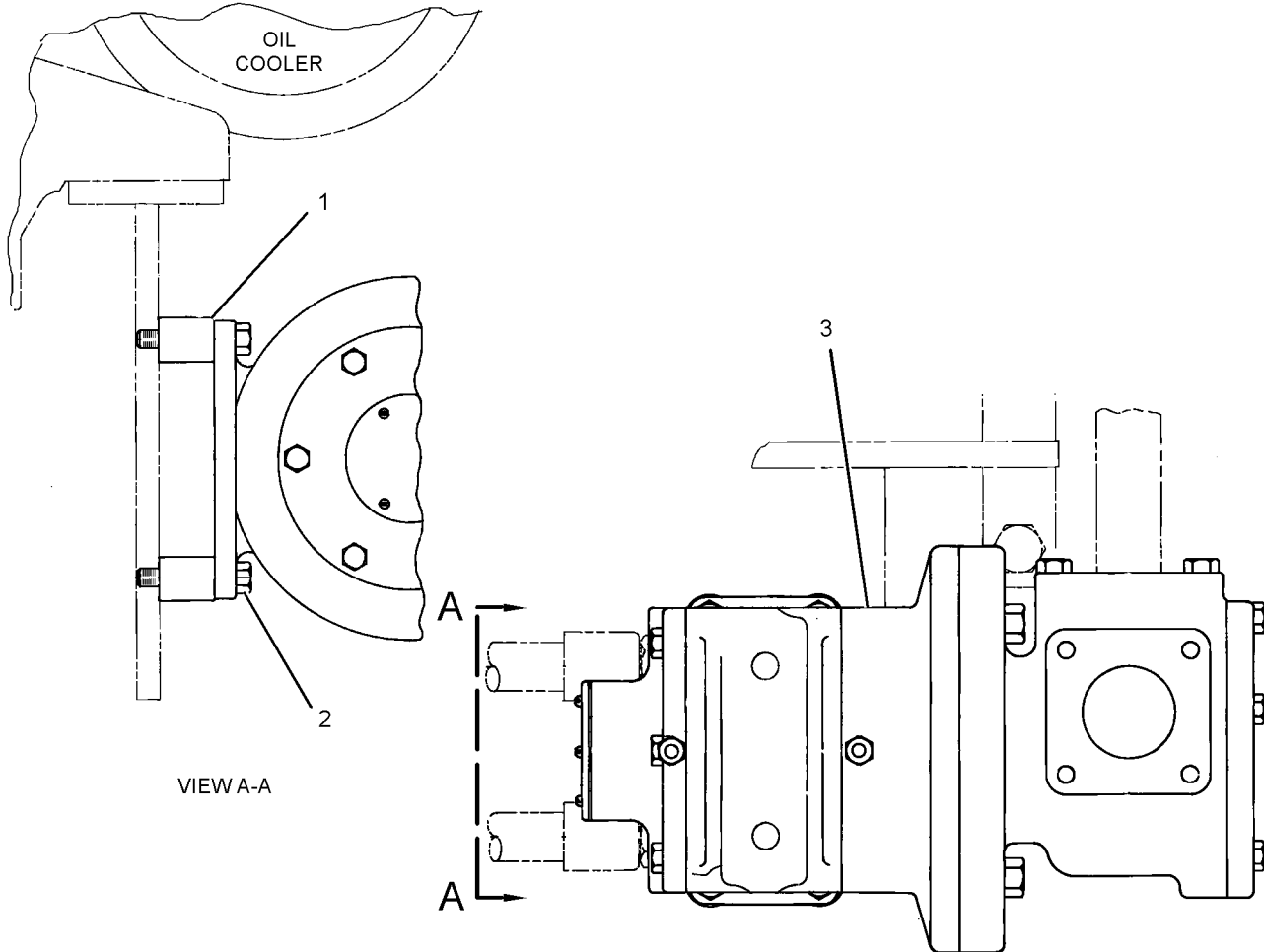
FOR USE WITH AIR STARTER, 1W-5547-PAGE: 515, 1W-3940-PAGE: 513  
AN ATTACHMENT

SMCS-1319

i07155519

NOTE	REF NO	GRAPHIC REF	PART NUMBER	QTY	PART NAME						SEE PAGE
					1	2	3	4	5	6 (PRODUCT LEVEL)	
	1	1	<b>1M-3381</b>	4	SPACER (0.438X0.75X1-IN THK)						
	2	1	<b>1B-9575</b>	4	BOLT (5/16-18X1.56-IN)						
Y	3	1	<b>1W-4776</b>	1	PUMP GP-PRELUBRICATION						561

Y - SEPARATE ILLUSTRATION



GRAPHIC #1

<END>

g01302067

# LUBRICATION SYSTEM

## 1W-4776 PUMP GP-PRELUBRICATION

FOR USE WITH AIR STARTER  
PART OF 1W-4674 PUMP GP-PRELUBRICATION  
AN ATTACHMENT

SMCS-1319

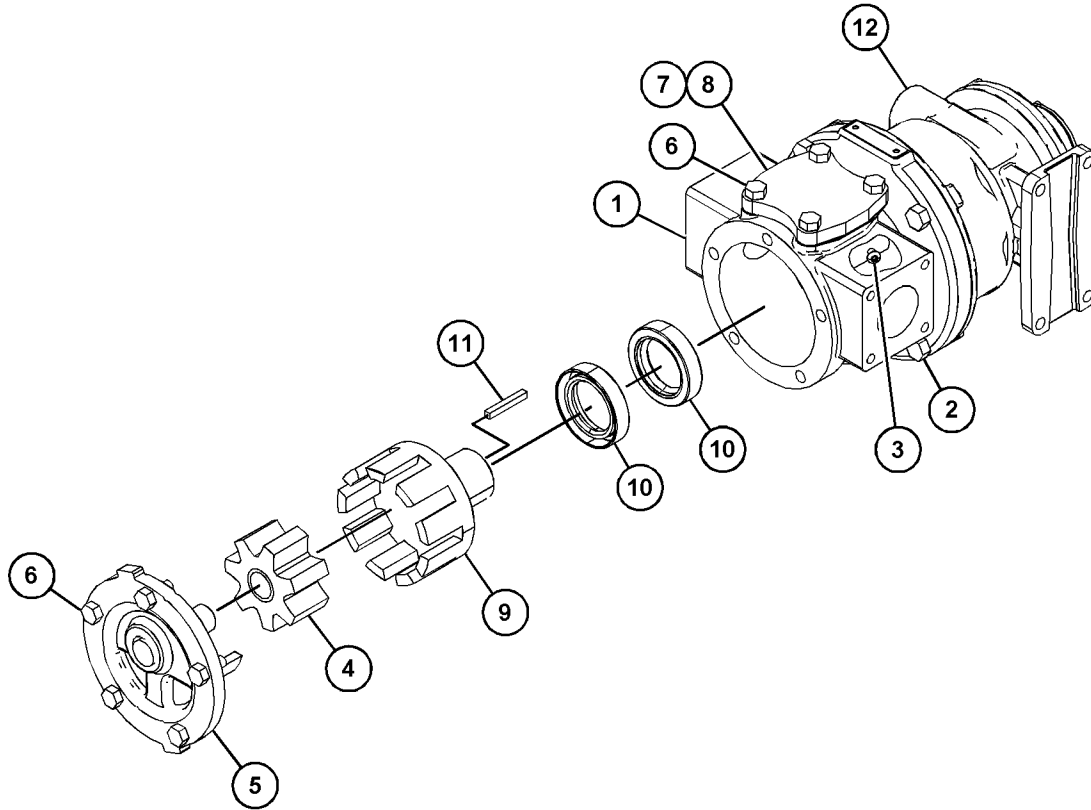
i06682590

NOTE	REF NO	GRAPHIC REF	PART NUMBER	QTY	PART NAME						SEE PAGE
					1	2	3	4	5	6 (PRODUCT LEVEL)	
	1	1	<b>5N-6668</b>	1	HOUSING						
	2	1	<b>0S-1588</b>	4	BOLT (3/8-16X1.25-IN)						
	3	1	<b>6D-3910</b>	1	SCREW-BUTTON HEAD (10-32X0.25-IN)						
	4	1	<b>3N-1284</b>	1	IDLER AS (7-TEETH)						
	5	1	<b>3N-1283</b>	1	HEAD AS						
	6	1	<b>0S-1617</b>	9	BOLT (5/16-18X0.75-IN)						
	7	1	<b>2N-7520</b>	1	GASKET						
	8	1	<b>2N-7521</b>	1	COVER						
	9	1	<b>3N-1285</b>	1	ROTOR						
	10	1	<b>1H-5959</b>	2	SEAL-LIP TYPE						
	11	1	<b>6F-2172</b>	1	KEY						
J	12	1	<b>3N-1287</b>	1	MOTOR GP-PRELUBRICATION						
					AVAILABLE REPAIR KIT(S):						
			<b>2N-7522</b>	1	KIT-GASKET (PRELUBRICATION PUMP) (INCLUDES GASKETS)						
J			<b>5N-7776</b>	1	KIT-MOTOR REPAIR (STARTING MOTOR) (INCLUDES VANES, PINS, BEARING, SEALS, SPRINGS, END CAP, GASKETS & O-RING)						
J			<b>2W-6083</b>	1	KIT-GASKET (STARTING MOTOR) (INCLUDES GASKETS, END CAP & O-RING)						
J - KITS MARKED J AVAILABLE FOR PART MARKED J											

# LUBRICATION SYSTEM

1W-4776 PUMP GP-PRELUBRICATION (contd.)

i06682590



GRAPHIC #1

<END>

g06072835

# LUBRICATION SYSTEM

## 302-8729 PUMP GP-PRELUBRICATION

24-VOLT

PART OF 4P-4926 PUMP & LINES GP-PRELUBRICATION, 7E-6468 PUMP GP-PRELUBRICATION

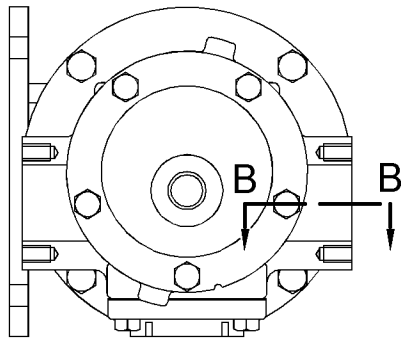
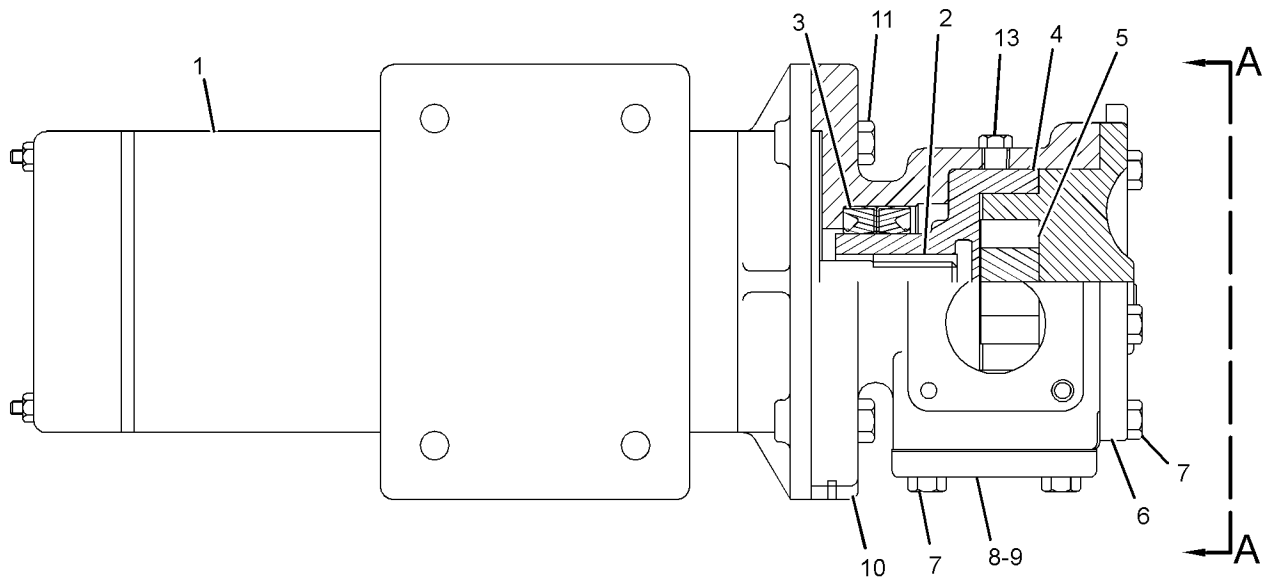
AN ATTACHMENT

TYPE 1

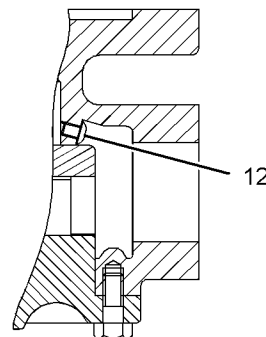
SMCS-1319

i06914591

NOTE	REF NO	GRAPHIC REF	PART NUMBER	QTY	PART NAME						SEE PAGE
					1	2	3	4	5	6 (PRODUCT LEVEL)	
	1	1	<b>302-8728</b>	1	MOTOR AS-PRELUBRICATION						
	2	1	<b>008-8694</b>	1	KEY						
	3	1	<b>1H-5959</b>	2	SEAL-LIP TYPE						
	4	1	<b>6N-5595</b>	1	ROTOR						
	5	1	<b>2N-7523</b>	1	IDLER AS (7-TEETH)						
	6	1	<b>2N-7524</b>	1	HEAD AS						
	7	1	<b>0S-1617</b>	9	BOLT (5/16-18X0.75-IN)						
	8	1	<b>2N-7521</b>	1	COVER						
	9	1	<b>2N-7520</b>	1	GASKET						
	10	1	<b>5N-6668</b>	1	HOUSING						
	11	1	<b>0S-1588</b>	4	BOLT (3/8-16X1.25-IN)						
	12	1	<b>6D-3910</b>	1	SCREW-BUTTON HEAD (10-32X0.25-IN)						
	13	1	<b>5M-6214</b>	2	PLUG (1/8-27 PTF)						



VIEW A-A



SECTION B-B

GRAPHIC #1

<END>

g01364349

# LUBRICATION SYSTEM

## 302-8729 PUMP GP-PRELUBRICATION

24-VOLT

PART OF 4P-4926 PUMP & LINES GP-PRELUBRICATION

AN ATTACHMENT

TYPE 2

SMCS-1319

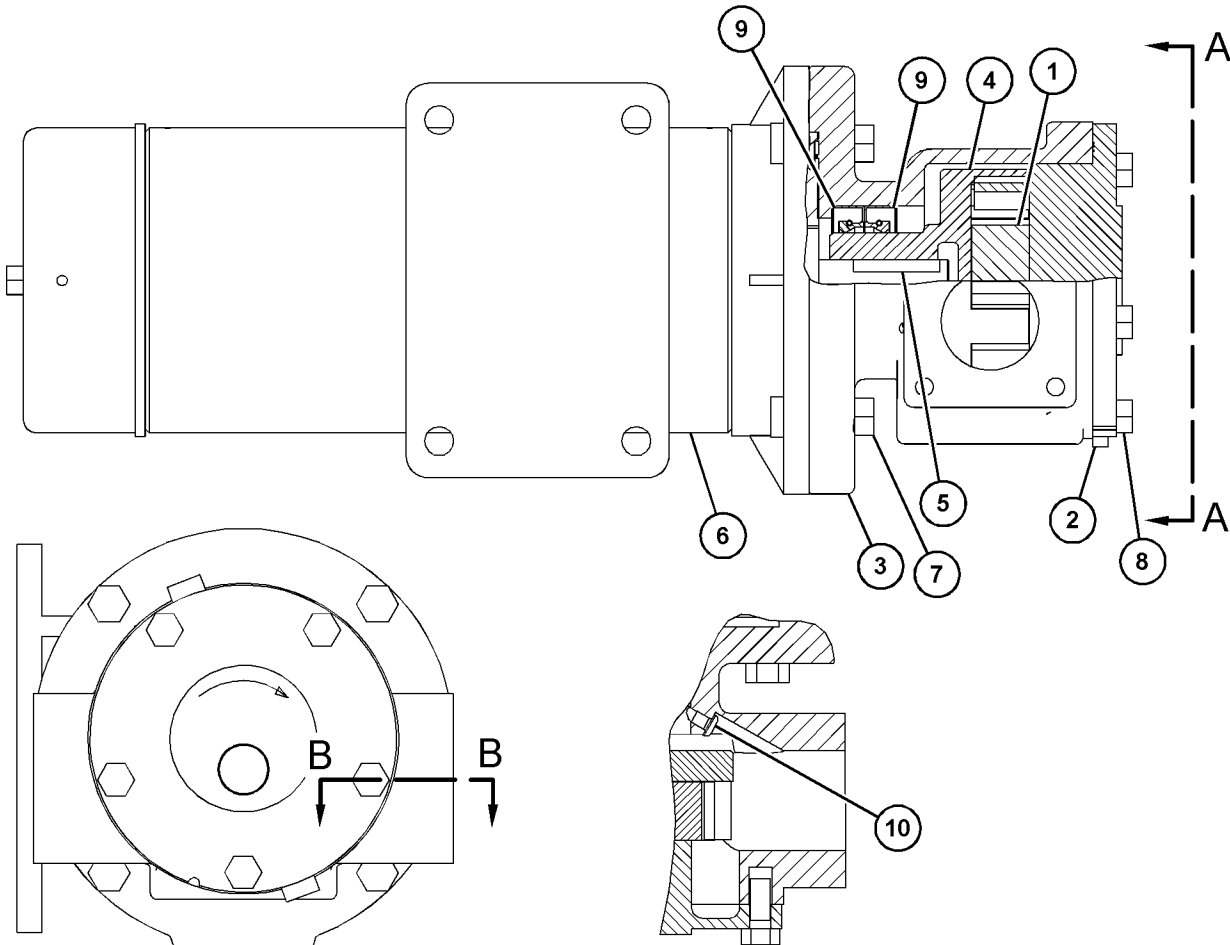
i07003856

NOTE	REF NO	GRAPHIC REF	PART NUMBER	QTY	PART NAME						SEE PAGE
					1	2	3	4	5	6	
	1	1	<b>2N-7523</b>	1	IDLER AS (7-TEETH)						
	2	1	<b>2N-7524</b>	1	HEAD AS						
	3	1	<b>5N-6668</b>	1	HOUSING						
	4	1	<b>6N-5595</b>	1	ROTOR						
	5	1	<b>008-8694</b>	1	KEY (SQUARE)						
C	6	1	<b>497-5568</b>	1	MOTOR AS-PRELUBRICATION (24-VOLT)						
	7	1	<b>0S-1588</b>	4	BOLT (3/8-16X1.25-IN)						
C	8	1	<b>0S-1617</b>	5	BOLT (5/16-18X0.75-IN)						
C	9	1	<b>1H-5959</b>	2	SEAL-LIP TYPE						
	10	1	<b>6D-3910</b>	1	SCREW-BUTTON HEAD (10-32X0.25-IN)						

AVAILABLE GASKET KIT(S) :

**2N-7522**    1    KIT-GASKET

C - CHANGE FROM PREVIOUS TYPE



VIEW A-A

SECTION B-B

GRAPHIC #1

<END>

g06185649

# LUBRICATION SYSTEM

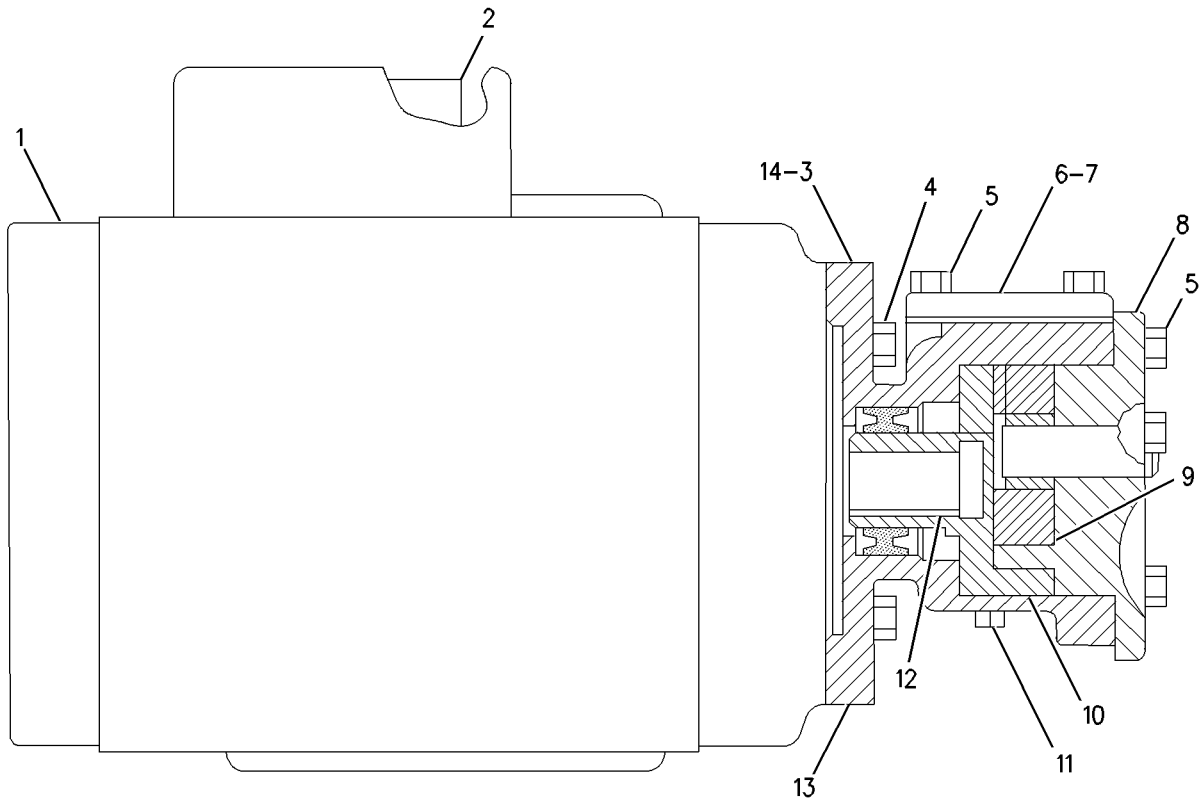
## 3T-3679 PUMP GP-PRELUBRICATION

PART OF 1W-4670 PUMP GP-PRELUBRICATION  
AN ATTACHMENT

SMCS-1319

i02346069

NOTE	REF NO	GRAPHIC REF	PART NUMBER	QTY	PART NAME						SEE PAGE
					1	2	3	4	5	6 (PRODUCT LEVEL)	
	1	1	<b>3T-3678</b>	1	MOTOR AS						
	2	1	<b>9G-6014</b>	1	CAPACITOR						
	3	1	<b>5N-6668</b>	1	HOUSING						
	4	1	<b>0S-1588</b>	4	BOLT (3/8-16X1.25-IN)						
	5	1	<b>0S-1617</b>	9	BOLT (5/16-18X0.75-IN)						
	6	1	<b>2N-7521</b>	1	COVER						
	7	1	<b>2N-7520</b>	1	GASKET						
	8	1	<b>2N-7524</b>	1	HEAD AS						
	9	1	<b>2N-7523</b>	1	IDLER AS (7-TEETH)						
	10	1	<b>2N-7519</b>	1	ROTOR						
	11	1	<b>5M-6214</b>	2	PLUG (1/8-27 PTF)						
	12	1	<b>6F-2172</b>	1	KEY						
	13	1	<b>1H-5959</b>	2	SEAL-LIP TYPE						
	14	1	<b>6D-3910</b>	1	SCREW-BUTTON HEAD (10-32X0.25-IN)						



GRAPHIC #1

<END>

g00812809

# LUBRICATION SYSTEM

## 3T-3733 PUMP GP-PRELUBRICATION

PART OF 1W-4671 PUMP GP-PRELUBRICATION

AN ATTACHMENT

SMCS-1319

i02417261

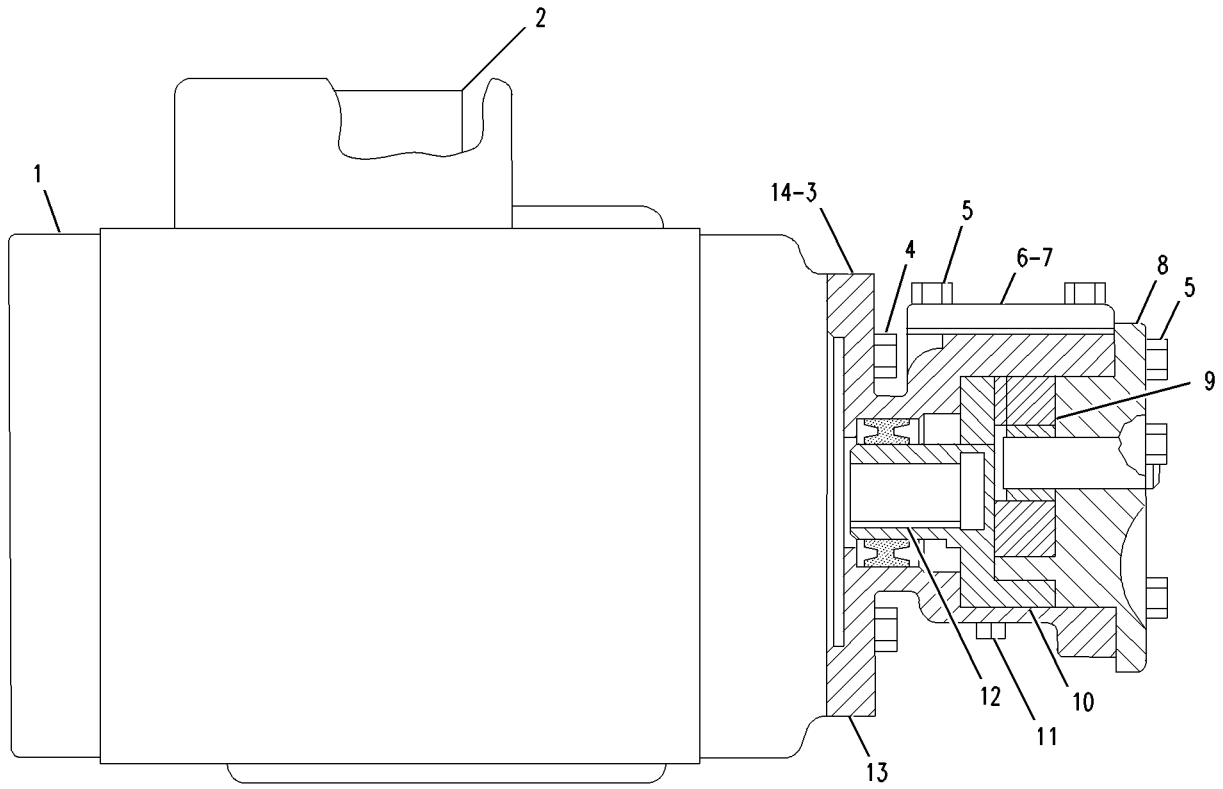
NOTE	REF NO	GRAPHIC REF	PART NUMBER	QTY	PART NAME						SEE PAGE
					1	2	3	4	5	6	
	1	1	<b>3T-3732</b>	1	MOTOR AS						
	2	1	<b>9G-6014</b>	1	CAPACITOR						
	3	1	<b>5N-6668</b>	1	HOUSING						
	4	1	<b>0S-1588</b>	4	BOLT (3/8-16X1.25-IN)						
	5	1	<b>0S-1617</b>	9	BOLT (5/16-18X0.75-IN)						
	6	1	<b>2N-7521</b>	1	COVER						
	7	1	<b>2N-7520</b>	1	GASKET						
	8	1	<b>3N-1283</b>	1	HEAD AS						
	9	1	<b>3N-1284</b>	1	IDLER AS (7-TEETH)						
	10	1	<b>7N-0036</b>	1	ROTOR						
	11	1	<b>5M-6214</b>	2	PLUG (1/8-27 PTF)						
	12	1	<b>6F-2172</b>	1	KEY						
	13	1	<b>1H-5959</b>	2	SEAL-LIP TYPE						
	14	1	<b>6D-3910</b>	1	SCREW-BUTTON HEAD (10-32X0.25-IN)						
					AVAILABLE REPAIR KIT(S):						
			<b>2N-7522</b>	1	KIT-GASKET (PRELUBRICATION PUMP)						
					(INCLUDES GASKETS)						



# LUBRICATION SYSTEM

3T-3733 PUMP GP-PRELUBRICATION (contd.)

i02417261



GRAPHIC #1

<END>

g00812813

# LUBRICATION SYSTEM

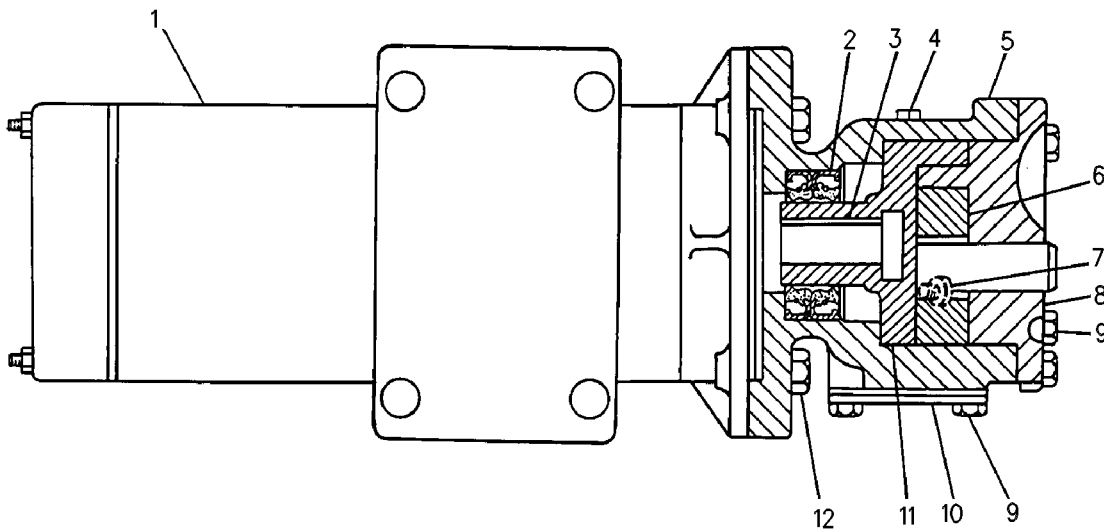
## 3T-3734 PUMP GP-PRELUBRICATION

PART OF 1W-4672 PUMP GP-PRELUBRICATION  
AN ATTACHMENT

SMCS-1319

i00969362

NOTE	REF NO	GRAPHIC REF	PART NUMBER	QTY	PART NAME						SEE PAGE
					1	2	3	4	5	6 (PRODUCT LEVEL)	
	1	1	<b>3T-7582</b>	1	MOTOR AS-PRELUBRICATION						
	2	1	<b>1H-5959</b>	2	SEAL-LIP TYPE						
	3	1	<b>008-8694</b>	1	KEY						
	4	1	<b>5M-6214</b>	2	PLUG (1/8-27 PTF)						
	5	1	<b>5N-6668</b>	1	HOUSING						
	6	1	<b>2N-7523</b>	1	IDLER AS (7-TEETH)						
	7	1	<b>6D-3910</b>	1	SCREW-BUTTON HEAD (10-32X0.25-IN)						
	8	1	<b>2N-7524</b>	1	HEAD AS						
	9	1	<b>0S-1617</b>	9	BOLT (5/16-18X0.75-IN)						
	10	1	<b>2N-7521</b>	1	COVER						
		1	<b>2N-7520</b>	1	GASKET						
	11	1	<b>6N-5595</b>	1	ROTOR						
	12	1	<b>0S-1588</b>	4	BOLT (3/8-16X1.25-IN)						
					AVAILABLE REPAIR KIT(S):						
			<b>2N-7522</b>	1	KIT-GASKET						



GRAPHIC #1

<END>

g00501617

# LUBRICATION SYSTEM

## 3T-3735 PUMP GP-PRELUBRICATION

24-VOLT

PART OF 4P-4926 PUMP & LINES GP-PRELUBRICATION, 1W-4673 PUMP GP-PRELUBRICATION  
AN ATTACHMENT

SMCS-1319

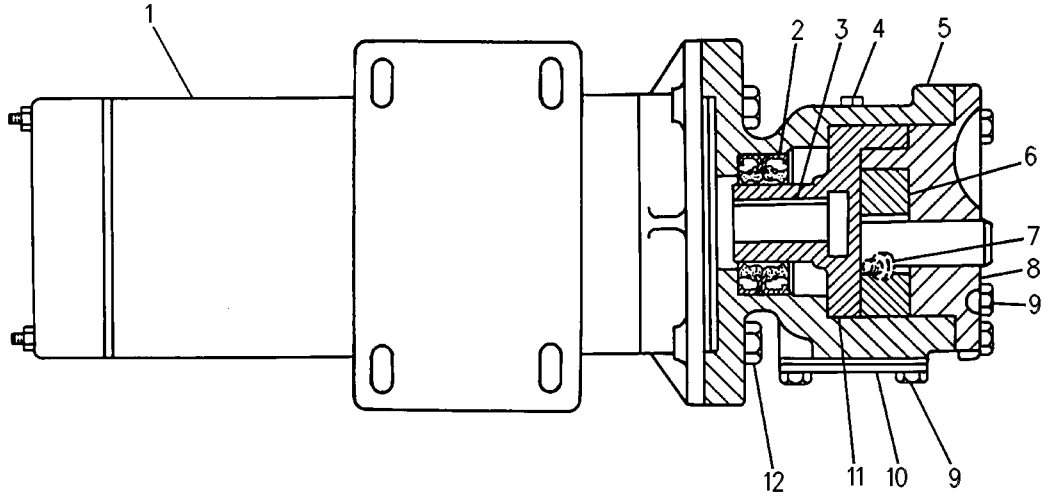
i02656401

NOTE	REF NO	GRAPHIC REF	PART NUMBER	QTY	PART NAME						SEE PAGE
					1	2	3	4	5	6 (PRODUCT LEVEL)	
	1	1	<b>3T-7583</b>	1	MOTOR AS-PRELUBRICATION						
	2	1	<b>1H-5959</b>	2	SEAL-LIP TYPE						
	3	1	<b>008-8694</b>	1	KEY						
	4	1	<b>5M-6214</b>	2	PLUG (1/8-27 PTF)						
	5	1	<b>5N-6668</b>	1	HOUSING						
	6	1	<b>2N-7523</b>	1	IDLER AS (7-TEETH)						
	7	1	<b>6D-3910</b>	1	SCREW-BUTTON HEAD (10-32X0.25-IN)						
	8	1	<b>2N-7524</b>	1	HEAD AS						
	9	1	<b>0S-1617</b>	9	BOLT (5/16-18X0.75-IN)						
	10	1	<b>2N-7521</b>	1	COVER						
	11	1	<b>6N-5595</b>	1	ROTOR						
	12	1	<b>0S-1588</b>	4	BOLT (3/8-16X1.25-IN)						
	13	1	<b>2N-7520</b>	1	GASKET						
					AVAILABLE REPAIR KIT(S):						
			<b>2N-7522</b>	1	KIT-GASKET (PRELUBRICATION PUMP)						
					(INCLUDES GASKETS)						

# LUBRICATION SYSTEM

3T-3735 PUMP GP-PRELUBRICATION (contd.)

i02656401



GRAPHIC #1

<END>

g00490993

# LUBRICATION SYSTEM

## 7E-6468 PUMP GP-PRELUBRICATION

S/N: 50Y835-1304; 66Z355-578

24-VOLT

AN ATTACHMENT

SMCS-1319

i02737081

NOTE	REF NO	GRAPHIC REF	PART NUMBER	QTY	PART NAME						SEE PAGE
					1	2	3	4	5	6 (PRODUCT LEVEL)	
	1	1	<b>2R-6806</b>	1	CONNECTOR						
I	2	1	<b>2W-4331</b>	1	HOSE AS						
	3	1	<b>032-1267</b>	1	CONNECTOR (STRAIGHT)						
	4	1	<b>0L-1325</b>	1	WASHER (0.78X1.3125X0.125-IN THK)						
	5	1	<b>9M-7357</b>	1	COUPLING AS						
	6	1	<b>2H-1258</b>	1	BOX-ELECTRICAL						
	7	1	<b>3N-1400</b>	1	SWITCH AS-PRESSURE (PRELUBRICATION)						
	8	1	<b>033-6042</b>	1	SEAL-O-RING						
	9	1	<b>4B-1243</b>	2	SCREW-MACHINE (12-24X0.5-IN)						
	10	1	<b>012-5751</b>	2	LOCKWASHER						
	11	1	<b>2H-1259</b>	1	COVER-BOX DOOR						
	12	1	<b>5N-9073</b>	2	CLIP						
	13	1	<b>5N-8943</b>	2	ADAPTER						
	14	1	<b>3F-2065</b>	2	LOCKNUT (1/2-14-THD)						
Y	15	1	<b>302-8729</b>	1	PUMP GP-PRELUBRICATION						563
	16	1	<b>1M-3381</b>	4	SPACER (0.438X0.75X1-IN THK)						
	17	1	<b>2B-2694</b>	4	BOLT (5/16-18X2-IN)						
	18	1	<b>9M-1974</b>	4	WASHER-HARD (8.8X16X2-MM THK)						

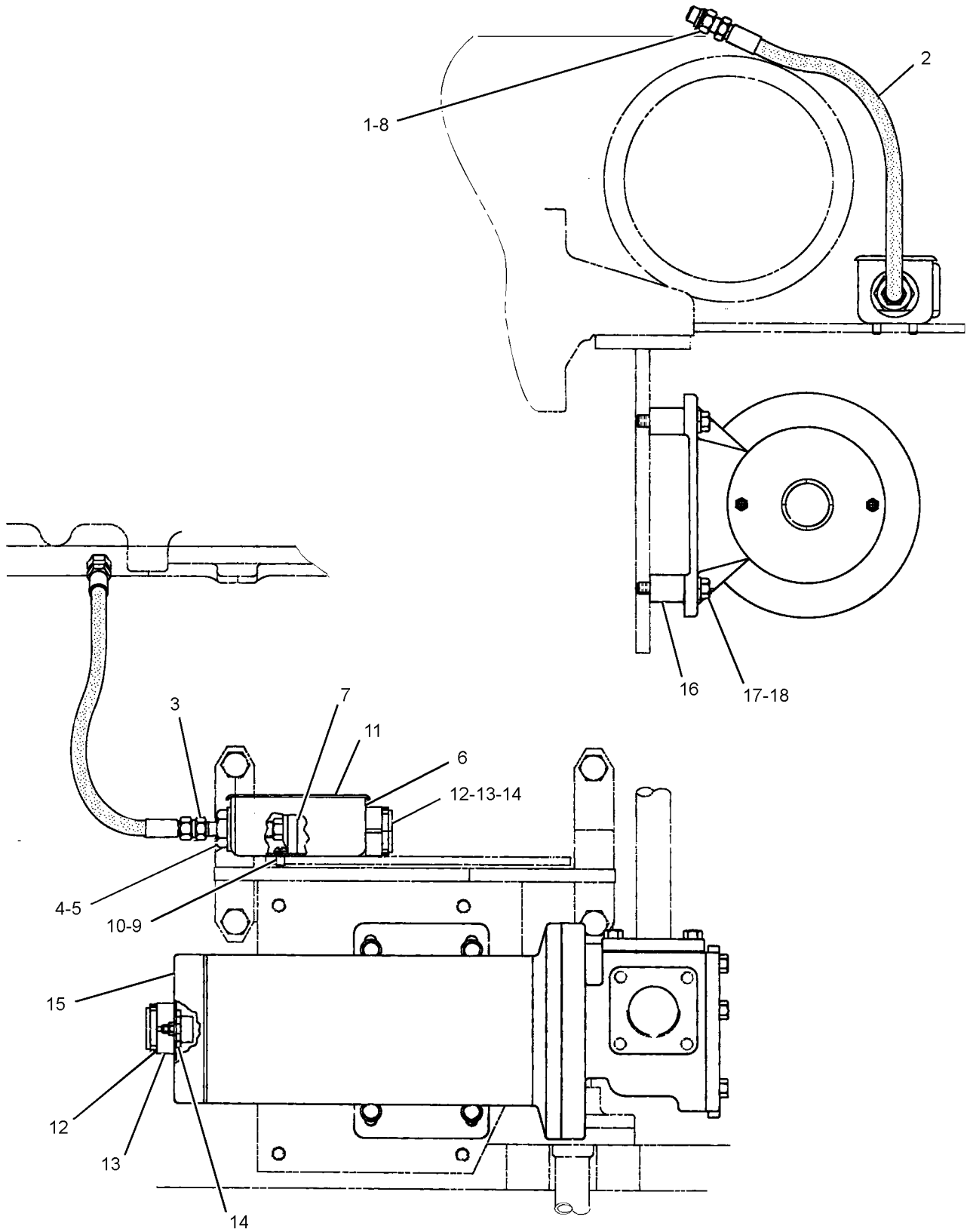
I - REFER TO HYDRAULIC INFORMATION SYSTEM

Y - SEPARATE ILLUSTRATION

# LUBRICATION SYSTEM

7E-6468 PUMP GP-PRELUBRICATION (contd.)

i02737081



GRAPHIC #1

<END>

g01373587

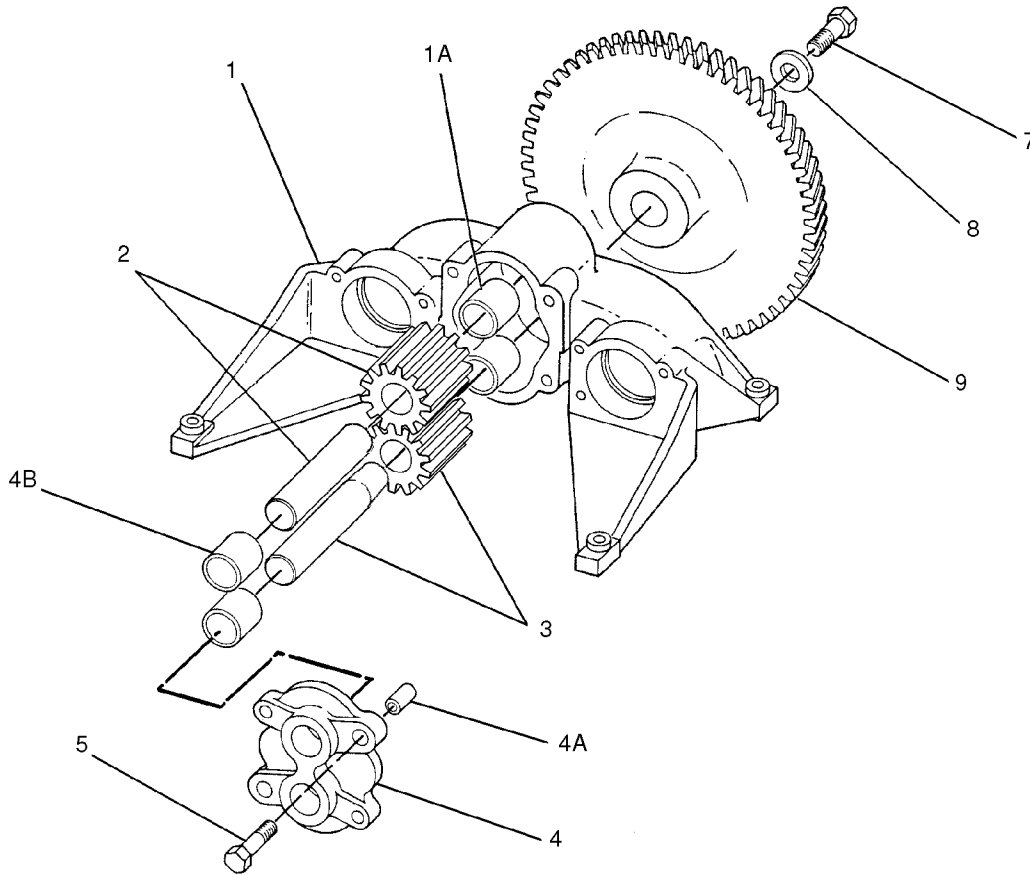
# LUBRICATION SYSTEM

## 1W-8508 PUMP GP-SCAVENGE\*R 230-LITER PER MINUTE. ONE SECTION GEAR PART OF 8N-7805 PUMP GP-SCAVENGE AN ATTACHMENT

SMCS-1312

i06995454

NOTE	REF NO	GRAPHIC REF	PART NUMBER	QTY	PART NAME						SEE PAGE
					1	2	3	4	5	6 (PRODUCT LEVEL)	
	1	1	<b>1W-8509</b>	1	BODY AS-SCAVENGE OIL PUMP						
	1A	1	<b>1W-6005</b>	2	BUSHING						
	2	1	<b>1W-8511</b>	1	SHAFT AS-IDLER						
	3	1	<b>176-3226</b>	1	SHAFT AS-DRIVE						
	4	1	<b>7N-8527</b>	1	COVER AS-PUMP						
	4A	1	<b>4M-3248</b>	2	DOWEL-HOLLOW						
	4B	1	<b>1W-6005</b>	2	BUSHING						
	5	1	<b>0S-1587</b>	4	BOLT (1/2-13X1.75-IN)						
	7	1	<b>0S-0484</b>	1	BOLT (1/2-20X2.25-IN)						
	8	1	<b>053-4679</b>	1	WASHER (13.5X44.45X10-MM THK)						
	9	1	<b>161-2513</b>	1	GEAR-DRIVE (71-TEETH)						



GRAPHIC #1

<END>

g01025734

# LUBRICATION SYSTEM

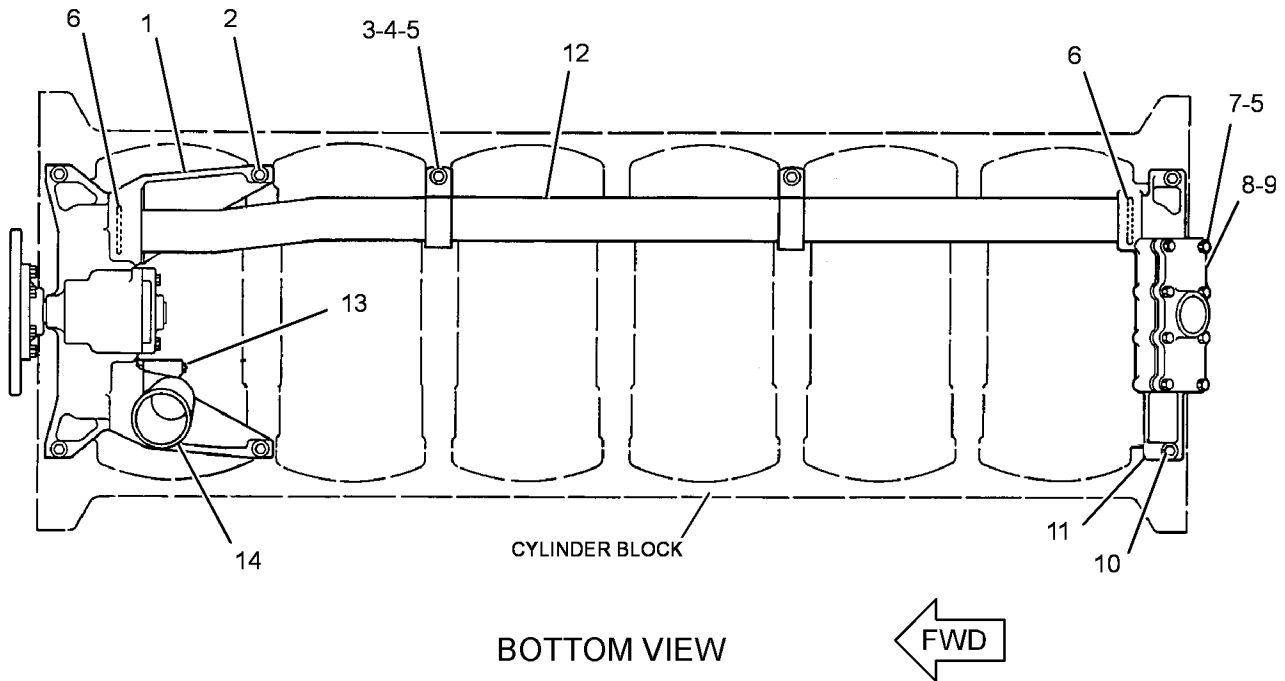
## 8N-7805 PUMP GP-SCAVENGE-FRONT SUMP ONE SECTION GEAR AN ATTACHMENT

SMCS-1312

i02390824

NOTE	REF NO	GRAPHIC REF	PART NUMBER	QTY	PART NAME						SEE PAGE
					1	2	3	4	5	6 (PRODUCT LEVEL)	
CYR	1	1	<b>1W-8508</b>	1	PUMP GP-SCAVENGE						573
	2	1	<b>4F-9351</b>	4	BOLT-SPECIAL (3/8-16X1.375-IN)						
	3	1	<b>6V-1581</b>	2	CLIP (SLOT)						
		1	<b>6V-1582</b>	2	CLIP (TAB)						
	4	1	<b>1A-2029</b>	2	BOLT (3/8-16X1.125-IN)						
	5	1	<b>5M-2894</b>	10	WASHER-HARD (10.2X18.5X2.5-MM THK)						
C	6	1	<b>3P-0657</b>	2	SEAL-O-RING						
	7	1	<b>3B-1915</b>	8	BOLT (3/8-16X1.375-IN)						
	8	1	<b>1N-3225</b>	1	COVER-SCAVENGE PUMP						
	9	1	<b>1N-3226</b>	1	SCREEN-SCAVENGE (ENGINE OIL)						
	10	1	<b>0S-1590</b>	2	BOLT (3/8-16X2-IN)						
	11	1	<b>1N-3193</b>	1	HOUSING						
	12	1	<b>1N-3192</b>	1	TUBE						
C	13	1	<b>0S-1619</b>	2	BOLT (3/8-16X3-IN)						
C	14	1	<b>1W-8805</b>	1	ELBOW						

C - CHANGE FROM PREVIOUS TYPE  
R - REMANUFACTURED PART MAY BE AVAILABLE  
Y - SEPARATE ILLUSTRATION



GRAPHIC #1

<END>

g01194303



# LUBRICATION SYSTEM

## 4P-7442 PUMP GP-SUMP

S/N: 50Y647-1304

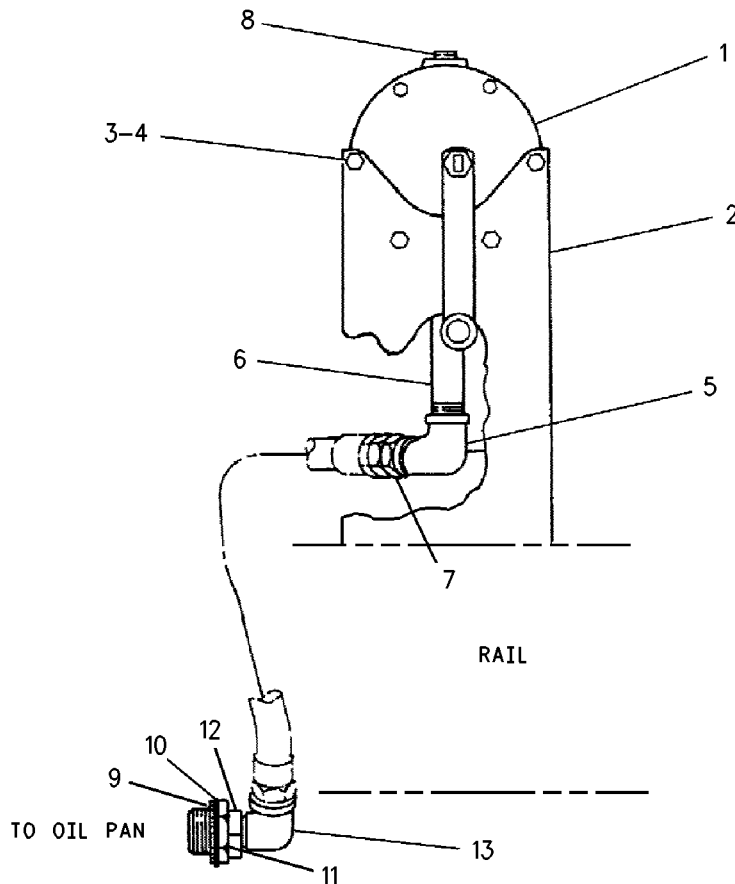
FOR USE WITH STEEL OIL PAN  
AN ATTACHMENT

SMCS-1324

i04406355

NOTE	REF NO	GRAPHIC REF	PART NUMBER	QTY	PART NAME						SEE PAGE
					1	2	3	4	5	6 (PRODUCT LEVEL)	
Y	1	1	<b>5N-6237</b>	1	PUMP GP-ENGINE OIL (MANUAL LUBRICATION)						543
	2	1	<b>5N-6236</b>	1	BRACKET						
	3	1	<b>7B-2742</b>	4	BOLT (1/4-20X1.25-IN)						
	4	1	<b>5P-0537</b>	8	WASHER-HARD (7.2X14.5X2-MM THK)						
	5	1	<b>1K-6937</b>	1	ELBOW-PIPE						
	6	1	<b>3B-7265</b>	1	NIPPLE-PIPE						
	7	1	<b>5F-6371</b>	1	CONNECTOR						
	8	1	<b>7X-7731</b>	1	PLUG-PIPE (3/4-14-THD)						
	9	1	<b>4J-0521</b>	1	SEAL-O-RING						
	10	1	<b>1U-4738</b>	1	WASHER (39.3X60X6-MM THK)						
	11	1	<b>0L-0701</b>	1	NUT (1-1/2-12-THD)						
	12	1	<b>4P-5242</b>	1	PICKUP AS-OIL						
	13	1	<b>003-9163</b>	1	ELBOW						

Y - SEPARATE ILLUSTRATION



GRAPHIC #1

<END>

g00792728

# LUBRICATION SYSTEM

**4W-6252 PUMP GP-SUMP-RH**  
**FOR USE WITH HEAVY DUTY AIR CLEANER WITH PRECLEANER**  
**FOR USAGE REFER TO CHART 7N-8698-PAGE: 2121**  
**AN ATTACHMENT**  
**TYPE 1**

**SMCS-1324**

**i01318591**

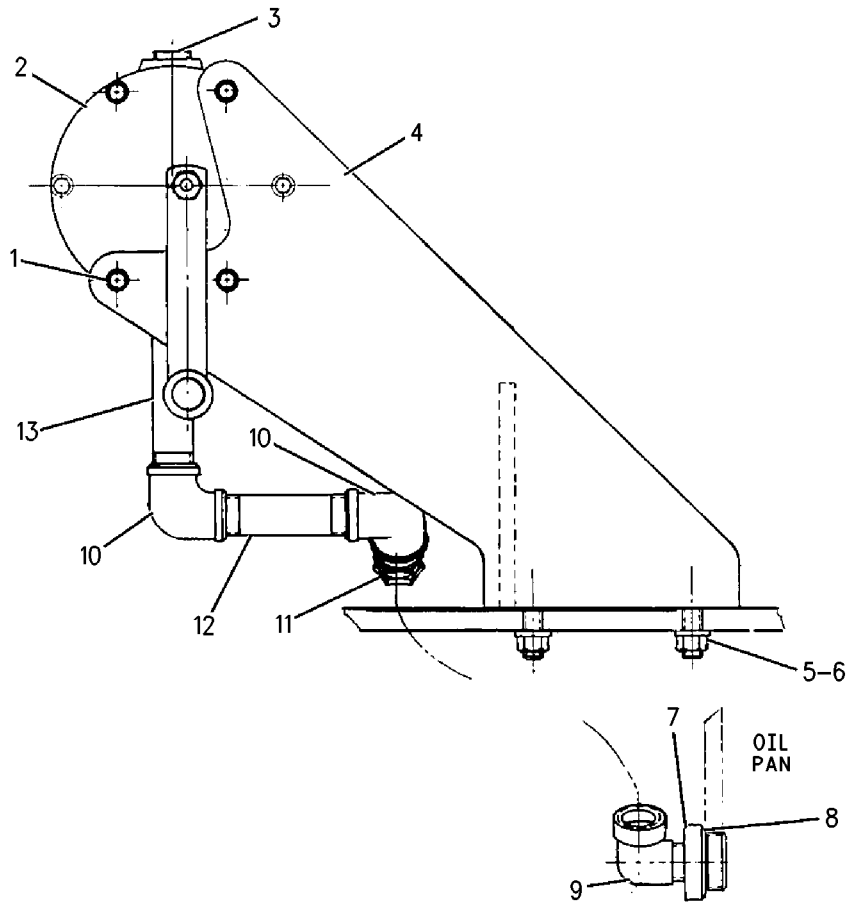
NOTE	REF NO	GRAPHIC REF	PART NUMBER	QTY	PART NAME						SEE PAGE
					1	2	3	4	5	6 (PRODUCT LEVEL)	
	1	1	<b>7B-2742</b>	4	BOLT (1/4-20X1.25-IN)						
		1	<b>5P-0537</b>	8	WASHER-HARD (7.2X14.5X2-MM THK)						
Y	2	1	<b>5N-6237</b>	1	PUMP GP-ENGINE OIL (MANUAL LUBRICATION)						543
	3	1	<b>1B-5174</b>	1	PLUG-PIPE						
	4	1	<b>4W-6258</b>	1	BRACKET AS						
B	5	1	<b>1D-4719</b>	2	NUT-FULL (1/2-13-THD)						
B		1	<b>0S-1587</b>	2	BOLT (1/2-13X1.75-IN)						
B		1	<b>5P-8245</b>	4	WASHER-HARD (13.5X25.5X3-MM THK)						
B	6	1	<b>0S-1595</b>	2	BOLT (1/2-13X1.25-IN)						
B		1	<b>5P-8245</b>	2	WASHER-HARD (13.5X25.5X3-MM THK)						
	7	1	<b>7N-6511</b>	1	ADAPTER						
	8	1	<b>6F-4868</b>	1	GASKET						
	9	1	<b>003-9163</b>	1	ELBOW						
	10	1	<b>1K-6937</b>	2	ELBOW-PIPE						
	11	1	<b>5F-6371</b>	1	CONNECTOR						
	12	1	<b>3P-2021</b>	1	NIPPLE-PIPE						
	13	1	<b>3B-7266</b>	1	NIPPLE-PIPE						

B - USE AS REQUIRED  
Y - SEPARATE ILLUSTRATION

# LUBRICATION SYSTEM

4W-6252 PUMP GP-SUMP (contd.)

101318591



GRAPHIC #1

<END>

g00701567

# LUBRICATION SYSTEM

**4W-6252 PUMP GP-SUMP-RH**  
**FOR USE WITH HEAVY DUTY AIR CLEANER WITH PRECLEANER**  
**FOR USAGE REFER TO CHART 7N-8698-PAGE: 2121**  
**AN ATTACHMENT**  
**TYPE 2**

**SMCS-1324**

**i01758341**

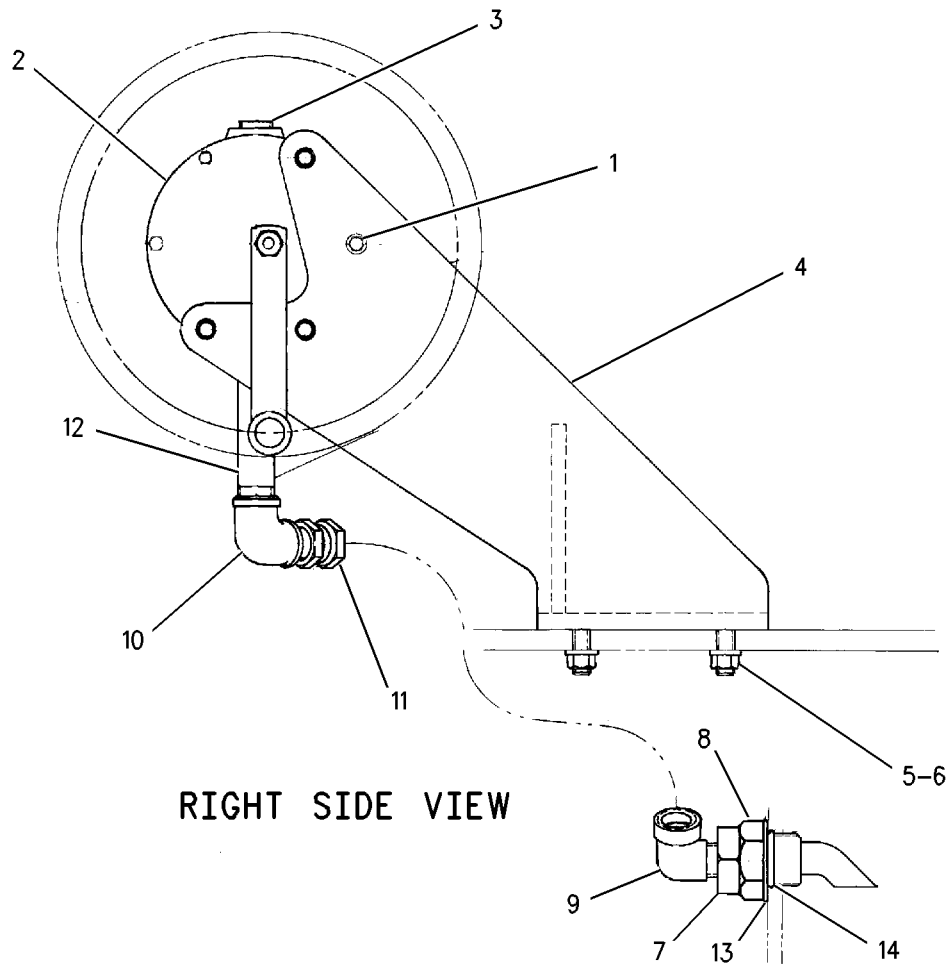
NOTE	REF NO	GRAPHIC REF	PART NUMBER	QTY	PART NAME	SEE PAGE
					1 2 3 4 5 6 (PRODUCT LEVEL)	
	1	1	<b>7B-2742</b>	4	BOLT (1/4-20X1.25-IN)	
		1	<b>5P-0537</b>	8	WASHER-HARD (7.2X14.5X2-MM THK)	
Y	2	1	<b>5N-6237</b>	1	PUMP GP-ENGINE OIL (MANUAL LUBRICATION)	543
	3	1	<b>7X-7731</b>	1	PLUG-PIPE (3/4-14-THD)	
	4	1	<b>4W-6258</b>	1	BRACKET AS	
B	5	1	<b>1F-7958</b>	2	NUT-FULL (1/2-13-THD)	
B		1	<b>0S-1587</b>	2	BOLT (1/2-13X1.75-IN)	
B		1	<b>5P-8245</b>	4	WASHER-HARD (13.5X25.5X3-MM THK)	
B	6	1	<b>0S-1595</b>	2	BOLT (1/2-13X1.25-IN)	
B		1	<b>5P-8245</b>	2	WASHER-HARD (13.5X25.5X3-MM THK)	
	7	1	<b>4P-5242</b>	1	PICKUP AS-OIL	
	8	1	<b>0L-0701</b>	1	NUT (1-1/2-12-THD)	
	9	1	<b>003-9163</b>	1	ELBOW	
C	10	1	<b>1K-6937</b>	1	ELBOW-PIPE	
	11	1	<b>5F-6371</b>	1	CONNECTOR	
	12	1	<b>3B-7266</b>	1	NIPPLE-PIPE	
	13	1	<b>1U-4738</b>	1	WASHER (39.3X60X6-MM THK)	
	14	1	<b>4J-0521</b>	1	SEAL-O-RING	

B - USE AS REQUIRED  
 C - CHANGE FROM PREVIOUS TYPE  
 Y - SEPARATE ILLUSTRATION

# LUBRICATION SYSTEM

4W-6252 PUMP GP-SUMP (contd.)

101758341



RIGHT SIDE VIEW

GRAPHIC #1

<END>

g00899554

# LUBRICATION SYSTEM

## 4W-6253 PUMP GP-SUMP-RH

REPLACED BY 7N-7069-PAGE: 588  
 FOR USAGE REFER TO CHART 7N-8698-PAGE: 2121  
 AN ATTACHMENT

SMCS-1324

i00936187

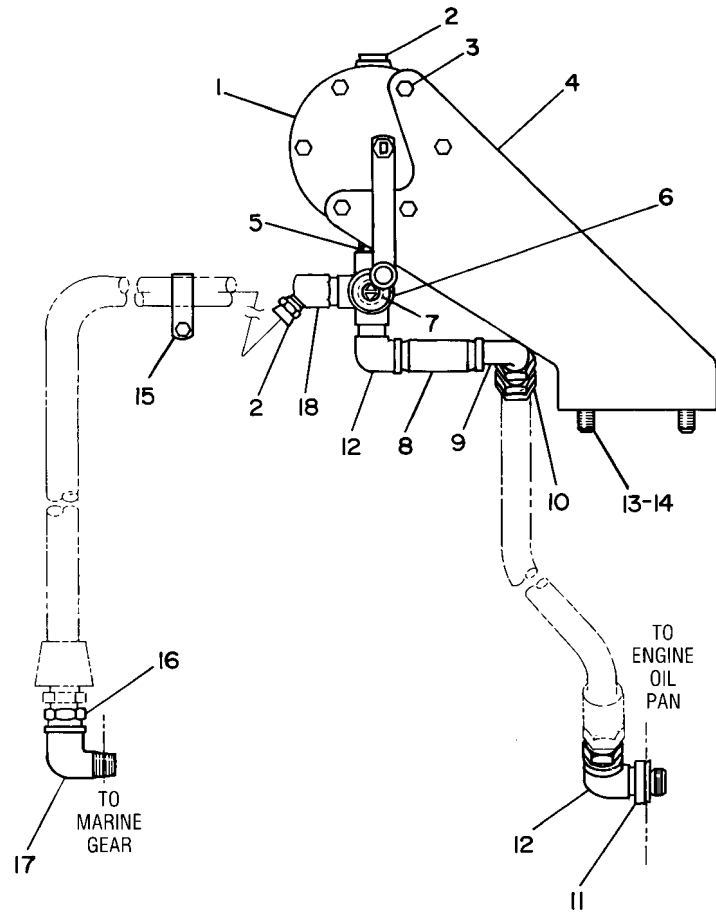
NOTE	REF NO	GRAPHIC REF	PART NUMBER	QTY	PART NAME	SEE PAGE
					1 2 3 4 5 6 (PRODUCT LEVEL)	
Y	1	1	<b>5N-6237</b>	1	PUMP GP-ENGINE OIL (MANUAL LUBRICATION)	543
	2	1	<b>1B-5174</b>	2	PLUG-PIPE	
	3	1	<b>7B-2742</b>	4	BOLT (1/4-20X1.25-IN)	
		1	<b>5P-0537</b>	8	WASHER-HARD (7.2X14.5X2-MM THK)	
	4	1	<b>4W-6258</b>	1	BRACKET AS	
	5	1	<b>3B-7270</b>	1	NIPPLE-PIPE	
	6	1	<b>3N-7057</b>	1	VALVE AS (3-WAY)	
		1	<b>9H-6761</b>	1	SEAL-O-RING	
	7	1	<b>3D-2992</b>	1	SEAL	
	8	1	<b>3P-2021</b>	1	NIPPLE-PIPE	
	9	1	<b>1K-6937</b>	1	ELBOW-PIPE	
	10	1	<b>5F-6371</b>	1	CONNECTOR	
	11	1	<b>7N-6511</b>	1	ADAPTER	
		1	<b>6F-4868</b>	1	GASKET	
	12	1	<b>003-9163</b>	2	ELBOW	
	13	1	<b>0S-1595</b>	2	BOLT (1/2-13X1.25-IN)	
	14	1	<b>5P-8245</b>	2	WASHER-HARD (13.5X25.5X3-MM THK)	
B	15	1	<b>6K-1694</b>	1	CLIP	
B		1	<b>1H-9456</b>	1	BOLT (5/8-11X0.75-IN)	
B		1	<b>5P-8247</b>	1	WASHER-HARD (17X32X3.5-MM THK)	
	16	1	<b>6B-9081</b>	1	BUSHING-REDUCER	
	17	1	<b>3B-6555</b>	1	ELBOW	
	18	1	<b>6H-8297</b>	1	ELBOW	

B - USE AS REQUIRED  
 Y - SEPARATE ILLUSTRATION

# LUBRICATION SYSTEM

4W-6253 PUMP GP-SUMP (contd.)

100936187



GRAPHIC #1

<END>

g00170222

# LUBRICATION SYSTEM

## 4W-6254 PUMP GP-SUMP-LH

REPLACED BY 7N-7069-PAGE: 588  
 FOR USAGE REFER TO CHART 7N-8698-PAGE: 2121  
 AN ATTACHMENT

SMCS-1324

i00938154

NOTE	REF NO	GRAPHIC REF	PART NUMBER	QTY	PART NAME	SEE PAGE
					1 2 3 4 5 6 (PRODUCT LEVEL)	
	1	1	<b>003-9163</b>	1	ELBOW	
	2	1	<b>7N-6511</b>	1	ADAPTER	
	3	1	<b>6F-4868</b>	1	GASKET	
	4	1	<b>0S-1595</b>	2	BOLT (1/2-13X1.25-IN)	
		1	<b>5P-8245</b>	2	WASHER-HARD (13.5X25.5X3-MM THK)	
	5	1	<b>2H-3939</b>	1	ELBOW	
	6	1	<b>3N-7057</b>	1	VALVE AS (3-WAY) (3-WAY)	
		1	<b>9H-6761</b>	1	SEAL-O-RING (SMALL)	
		1	<b>3D-2992</b>	1	SEAL (LARGE)	
	7	1	<b>3B-7270</b>	1	NIPPLE-PIPE	
	8	1	<b>4W-6257</b>	1	BRACKET AS (LH)	
	9	1	<b>1B-5174</b>	1	PLUG-PIPE	
Y	10	1	<b>5N-6237</b>	1	PUMP GP-ENGINE OIL (MANUAL LUBRICATION)	543
	11	1	<b>7B-2742</b>	4	BOLT (1/4-20X1.25-IN)	
		1	<b>5P-0537</b>	8	WASHER-HARD (7.2X14.5X2-MM THK)	
	12	1	<b>5F-6371</b>	1	CONNECTOR	
	13	1	<b>6B-9081</b>	1	BUSHING-REDUCER	
	14	1	<b>3B-6555</b>	1	ELBOW	

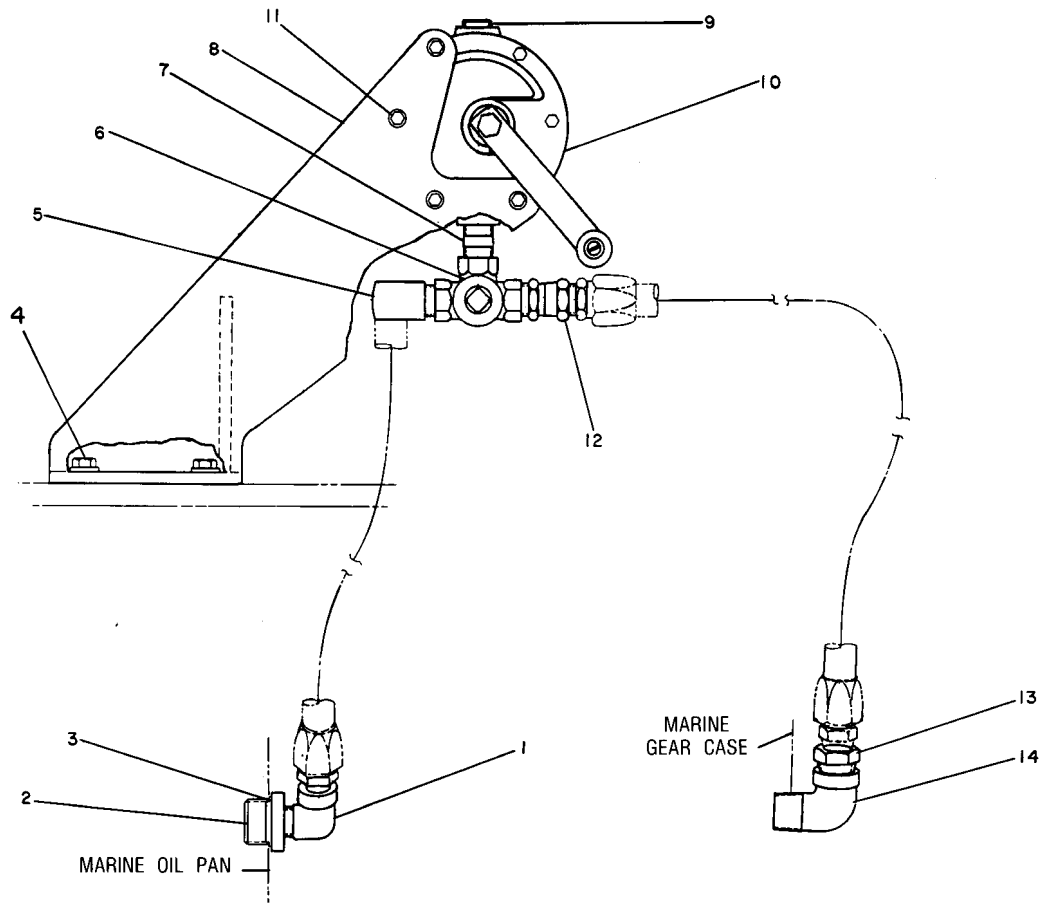
Y - SEPARATE ILLUSTRATION



# LUBRICATION SYSTEM

4W-6254 PUMP GP-SUMP (contd.)

i00938154



GRAPHIC #1

<END>

g00170208

# LUBRICATION SYSTEM

**4W-6255 PUMP GP-SUMP-LH**  
**FOR USE WITH HEAVY DUTY AIR CLEANERS WITH PRECLEANER**  
**FOR USAGE REFER TO CHART 7N-8698-PAGE: 2121**  
**AN ATTACHMENT**  
**TYPE 1**

**SMCS-1324**

**i00933769**

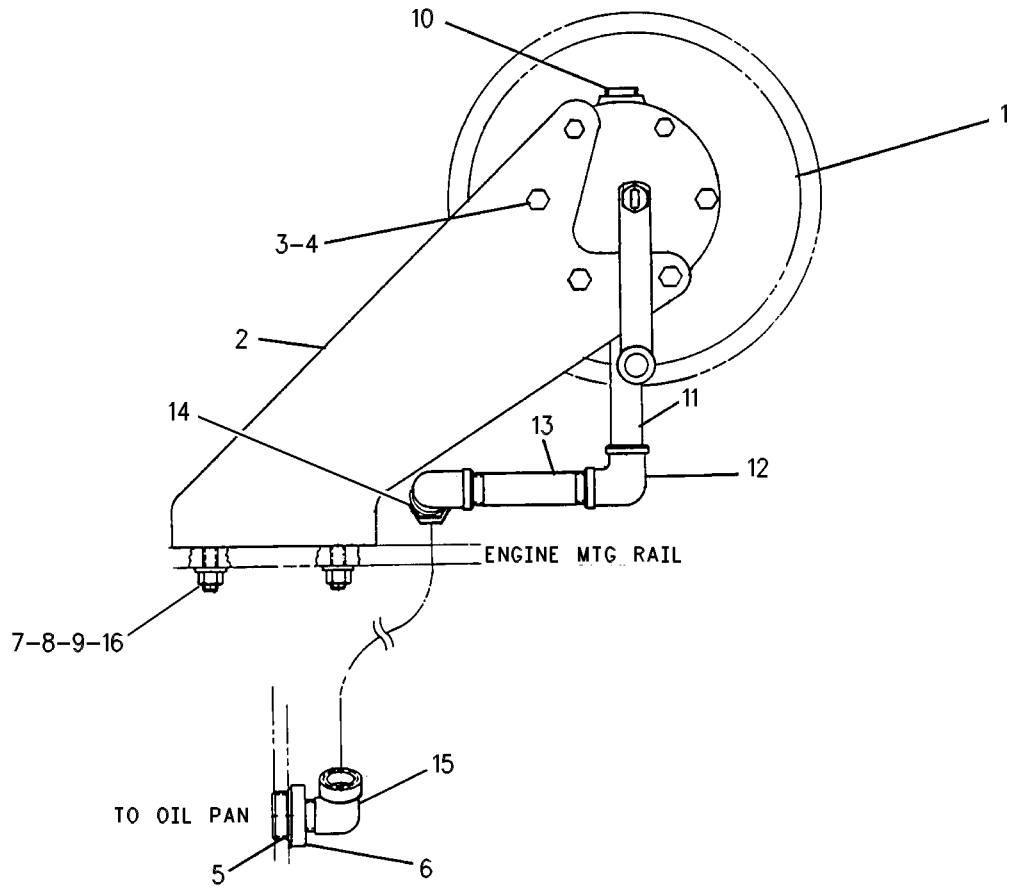
NOTE	REF NO	GRAPHIC REF	PART NUMBER	QTY	PART NAME	SEE PAGE
					1 2 3 4 5 6 (PRODUCT LEVEL)	
Y	1	1	<b>5N-6237</b>	1	PUMP GP-ENGINE OIL (MANUAL LUBRICATION)	543
	2	1	<b>4W-6257</b>	1	BRACKET AS (L.H.)	
	3	1	<b>7B-2742</b>	4	BOLT (1/4-20X1.25-IN)	
	4	1	<b>5P-0537</b>	8	WASHER-HARD (7.2X14.5X2-MM THK)	
	5	1	<b>6F-4868</b>	1	GASKET	
	6	1	<b>7N-6511</b>	1	ADAPTER	
B	7	1	<b>5P-8245</b>	6	WASHER-HARD (13.5X25.5X3-MM THK)	
B	8	1	<b>1D-4719</b>	2	NUT-FULL (1/2-13-THD)	
B	9	1	<b>0S-1587</b>	2	BOLT (1/2-13X1.75-IN)	
	10	1	<b>1B-5174</b>	1	PLUG-PIPE	
	11	1	<b>6L-5295</b>	1	FITTING	
	12	1	<b>1K-6937</b>	2	ELBOW-PIPE	
	13	1	<b>2D-2460</b>	1	NIPPLE-PIPE	
	14	1	<b>5F-6371</b>	1	CONNECTOR	
	15	1	<b>003-9163</b>	1	ELBOW	
B	16	1	<b>0S-1595</b>	2	BOLT (1/2-13X1.25-IN)	

B - USE AS REQUIRED  
Y - SEPARATE ILLUSTRATION

# LUBRICATION SYSTEM

4W-6255 PUMP GP-SUMP (contd.)

i00933769



GRAPHIC #1

<END>

g00480356

# LUBRICATION SYSTEM

## 4W-6255 PUMP GP-SUMP-LH

FOR USE WITH HEAVY DUTY AIR CLEANERS WITH PRECLEANER  
FOR USAGE REFER TO CHART 7N-8698-PAGE: 2121  
AN ATTACHMENT  
TYPE 2

**SMCS-1324**

**i07358129**

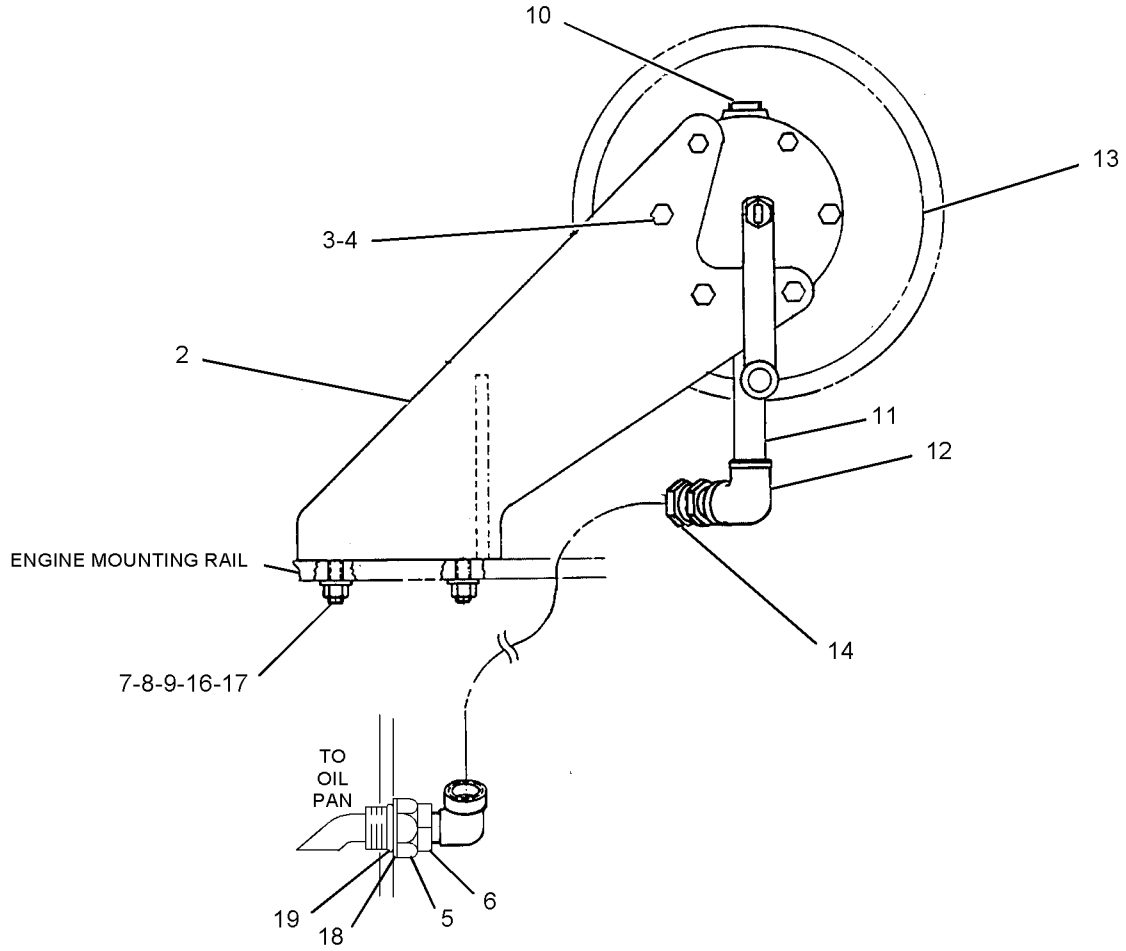
NOTE	REF NO	GRAPHIC REF	PART NUMBER	QTY	PART NAME	SEE PAGE
					1 2 3 4 5 6 (PRODUCT LEVEL)	
	2	1	<b>4W-6257</b>	1	BRACKET AS (LH)	
	3	1	<b>7X-2501</b>	4	BOLT (1/4-20X1.25-IN)	
	4	1	<b>8T-4205</b>	8	WASHER-HARD (7.2X14.5X2-MM THK)	
	5	1	<b>0L-0701</b>	1	NUT (1-1/2-12-THD)	
	6	1	<b>4P-5242</b>	1	PICKUP AS-OIL	
B	7	1	<b>8T-4223</b>	4	WASHER-HARD (13.5X25.5X3-MM THK)	
B	8	1	<b>6V-8188</b>	2	NUT (1/2-13-THD)	
B	9	1	<b>8T-8919</b>	2	BOLT (1/2-13X1.75-IN)	
	10	1	<b>7X-7731</b>	1	PLUG-PIPE (3/4-14-THD)	
	11	1	<b>6L-5295</b>	1	FITTING	
C	12	1	<b>1K-6937</b>	1	ELBOW-PIPE	
Y	13	1	<b>5N-6237</b>	1	PUMP GP-ENGINE OIL (MANUAL LUBRICATION)	543
	14	1	<b>5F-6371</b>	1	CONNECTOR	
	15	1	<b>003-9163</b>	1	ELBOW	
B	16	1	<b>8T-8917</b>	2	BOLT (1/2-13X1.25-IN)	
B	17	1	<b>8T-4223</b>	2	WASHER-HARD (13.5X25.5X3-MM THK)	
	18	1	<b>1U-4738</b>	1	WASHER (39.3X60X6-MM THK)	
	19	1	<b>4J-0521</b>	1	SEAL-O-RING	

B - USE AS REQUIRED  
C - CHANGE FROM PREVIOUS TYPE  
Y - SEPARATE ILLUSTRATION

# LUBRICATION SYSTEM

4W-6255 PUMP GP-SUMP (contd.)

107358129



LEFT SIDE VIEW

<END>

GRAPHIC #1

g01102993

# LUBRICATION SYSTEM

## 7N-7069 PUMP GP-SUMP

FOR USAGE REFER TO CHART 7N-8698-PAGE: 2121  
AN ATTACHMENT

SMCS-1324

i04768169

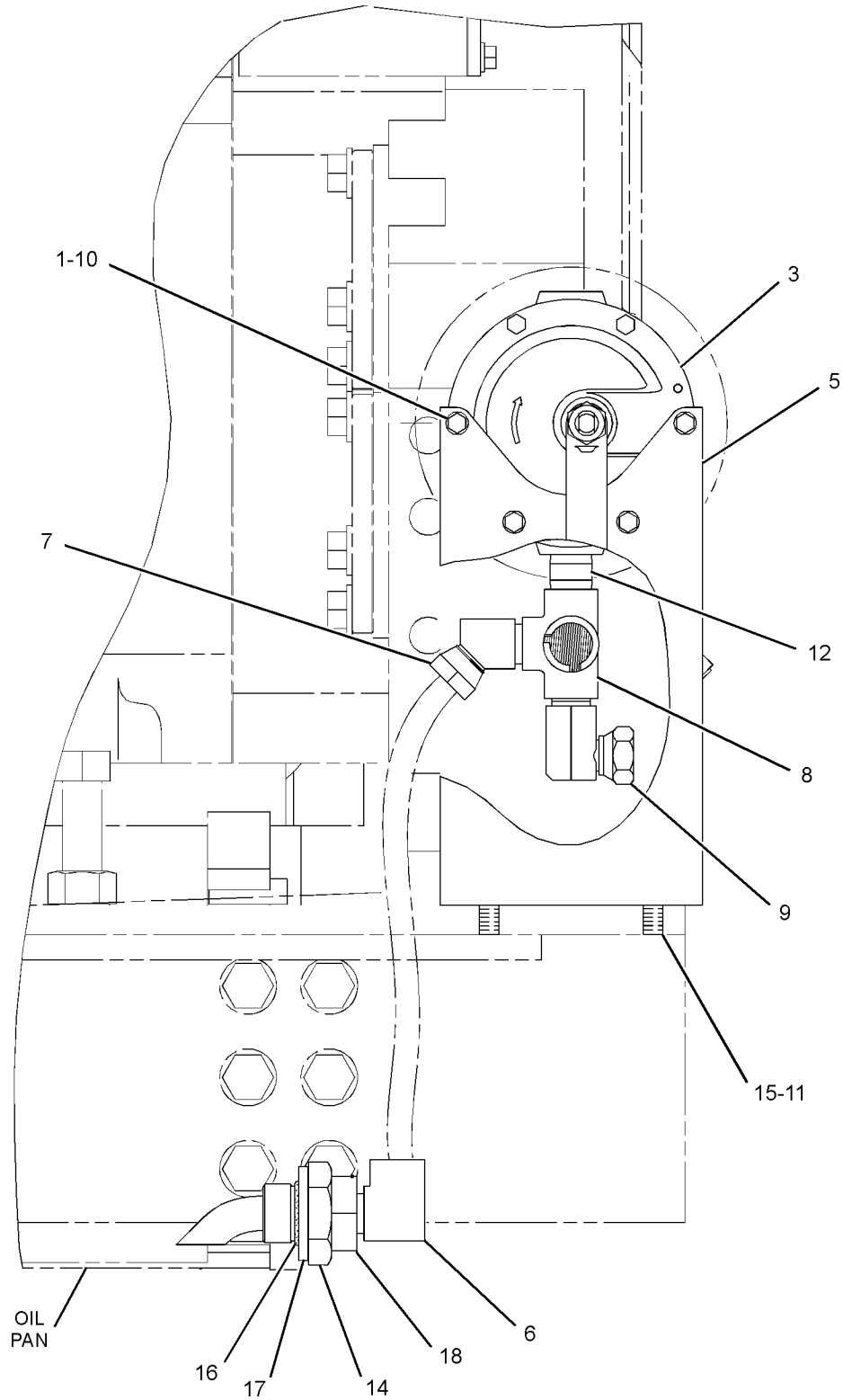
NOTE	REF NO	GRAPHIC REF	PART NUMBER	QTY	PART NAME	SEE PAGE
					1 2 3 4 5 6 (PRODUCT LEVEL)	
	1	1	<b>8T-4205</b>	8	WASHER-HARD (7.2X14.5X2-MM THK)	
Y	3	1	<b>5N-6237</b>	1	PUMP GP-ENGINE OIL (MANUAL LUBRICATION) (MANUAL LUBRICATION)	543
	5	1	<b>5N-6236</b>	1	BRACKET	
	6	1	<b>003-9163</b>	1	ELBOW	
	7	1	<b>6H-8297</b>	1	ELBOW	
	8	1	<b>3N-7057</b>	1	VALVE AS (3-WAY)	
	9	1	<b>2H-3939</b>	1	ELBOW	
	10	1	<b>7X-2501</b>	4	BOLT (1/4-20X1.25-IN)	
	11	1	<b>5P-8245</b>	2	WASHER-HARD (13.5X25.5X3-MM THK)	
	12	1	<b>3B-7270</b>	1	NIPPLE-PIPE	
	14	1	<b>0L-0701</b>	1	NUT (1-1/2-12-THD)	
	15	1	<b>0S-1595</b>	2	BOLT (1/2-13X1.25-IN)	
	16	1	<b>4J-0521</b>	1	SEAL-O-RING	
	17	1	<b>1U-4738</b>	1	WASHER (39.3X60X6-MM THK)	
	18	1	<b>4P-5242</b>	1	PICKUP AS-OIL	

Y - SEPARATE ILLUSTRATION

# LUBRICATION SYSTEM

7N-7069 PUMP GP-SUMP (contd.)

104768169



LEFT SIDE VIEW OF ENGINE

GRAPHIC #1

<END>

g01488853

# LUBRICATION SYSTEM

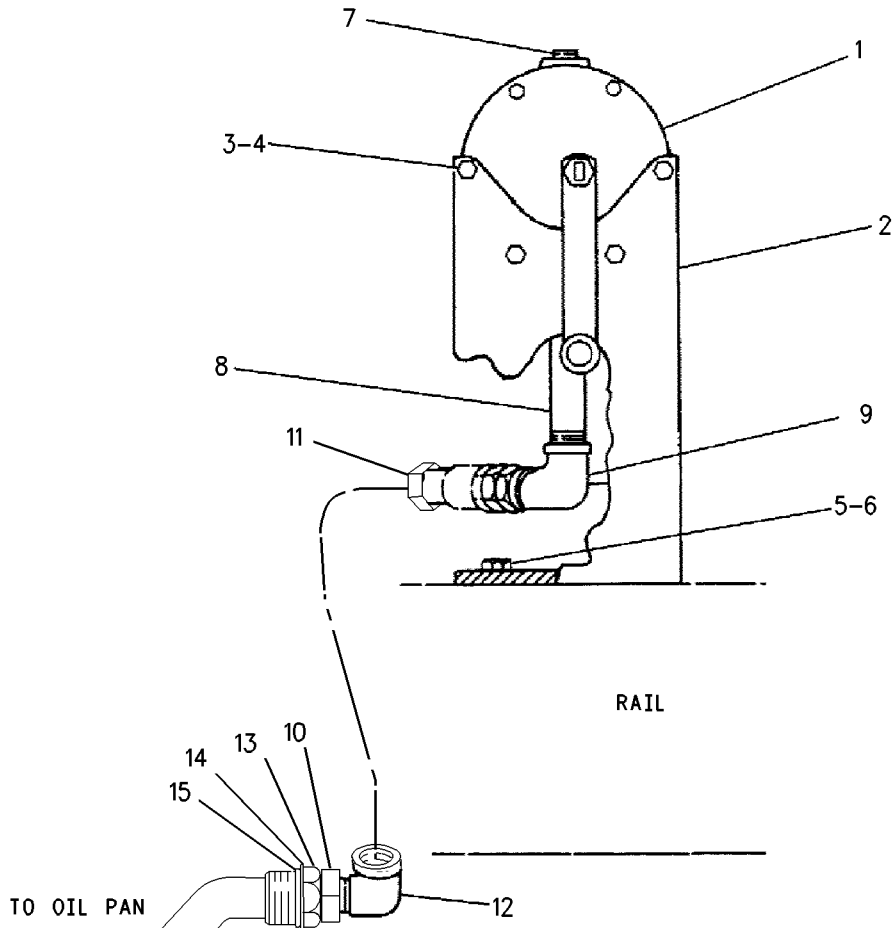
## 7W-9703 PUMP GP-SUMP FOR USAGE REFER TO CHART 7N-8698-PAGE: 2121 AN ATTACHMENT

SMCS-1324

i07153210

NOTE	REF NO	GRAPHIC REF	PART NUMBER	QTY	PART NAME						SEE PAGE
					1	2	3	4	5	6 (PRODUCT LEVEL)	
Y	1	1	<b>5N-6237</b>	1	PUMP GP-ENGINE OIL (MANUAL LUBRICATION) (MANUAL LUBRICATION)						543
	2	1	<b>5N-6236</b>	1	BRACKET						
	3	1	<b>7X-2501</b>	4	BOLT (1/4-20X1.25-IN)						
	4	1	<b>8T-4205</b>	8	WASHER-HARD (7.2X14.5X2-MM THK)						
	5	1	<b>8T-8917</b>	2	BOLT (1/2-13X1.25-IN)						
	6	1	<b>8T-4223</b>	2	WASHER-HARD (13.5X25.5X3-MM THK)						
	7	1	<b>7X-7731</b>	1	PLUG-PIPE (3/4-14-THD)						
	8	1	<b>3B-7265</b>	1	NIPPLE-PIPE						
	9	1	<b>1K-6937</b>	1	ELBOW-PIPE						
	10	1	<b>4P-5242</b>	1	PICKUP AS-OIL						
	11	1	<b>5F-6371</b>	1	CONNECTOR						
	12	1	<b>003-9163</b>	1	ELBOW						
	13	1	<b>0L-0701</b>	1	NUT (1-1/2-12-THD)						
	14	1	<b>1U-4738</b>	1	WASHER (39.3X60X6-MM THK)						
	15	1	<b>4J-0521</b>	1	SEAL-O-RING						

Y - SEPARATE ILLUSTRATION



GRAPHIC #1

<END>

g00778854



# LUBRICATION SYSTEM

## 7W-9704 PUMP GP-SUMP

FOR USAGE REFER TO CHART 7N-8698-PAGE: 2121

AN ATTACHMENT

TYPE 1

**SMCS-1324**

**i07113951**

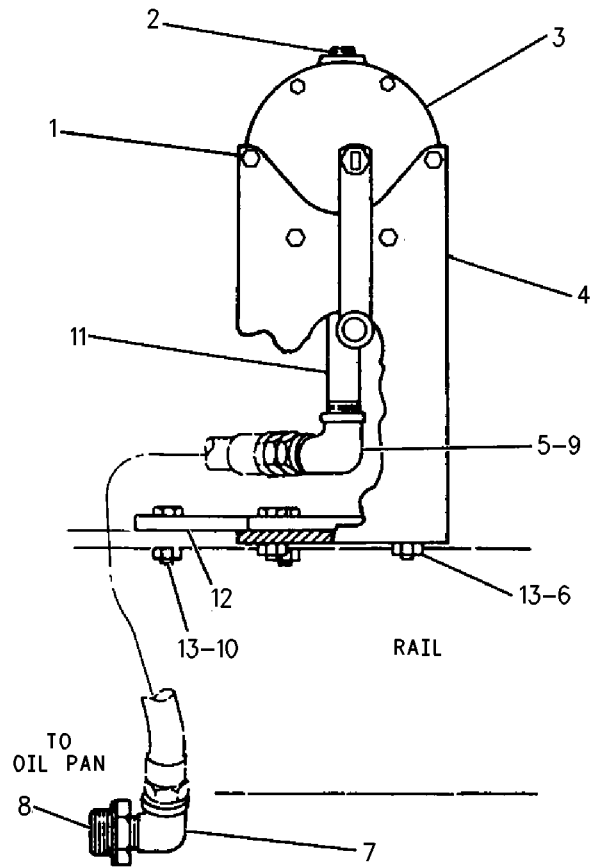
NOTE	REF NO	GRAPHIC REF	PART NUMBER	QTY	PART NAME						SEE PAGE
					1	2	3	4	5	6 (PRODUCT LEVEL)	
	1	1	<b>7B-2742</b>	4	BOLT (1/4-20X1.25-IN)						
		1	<b>5P-0537</b>	8	WASHER-HARD (7.2X14.5X2-MM THK)						
	2	1	<b>1B-5174</b>	1	PLUG-PIPE						
Y	3	1	<b>5N-6237</b>	1	PUMP GP-ENGINE OIL (MANUAL LUBRICATION)						543
	4	1	<b>5N-6236</b>	1	BRACKET						
	5	1	<b>1K-6937</b>	1	ELBOW-PIPE						
	6	1	<b>0S-1585</b>	2	BOLT (1/2-13X1.5-IN)						
	7	1	<b>003-9163</b>	1	ELBOW						
	8	1	<b>7N-6511</b>	1	ADAPTER						
		1	<b>6F-4868</b>	1	GASKET						
	9	1	<b>5F-6371</b>	1	CONNECTOR						
	10	1	<b>0S-1587</b>	2	BOLT (1/2-13X1.75-IN)						
	11	1	<b>3B-7265</b>	1	NIPPLE-PIPE						
	12	1	<b>5N-6235</b>	1	PLATE						
	13	1	<b>1D-4719</b>	4	NUT-FULL (1/2-13-THD)						
		1	<b>5P-8245</b>	8	WASHER-HARD (13.5X25.5X3-MM THK)						

Y - SEPARATE ILLUSTRATION

# LUBRICATION SYSTEM

7W-9704 PUMP GP-SUMP (contd.)

i07113951



GRAPHIC #1

<END>

g00651122

# LUBRICATION SYSTEM

## 7W-9704 PUMP GP-SUMP

FOR USAGE REFER TO CHART 7N-8698-PAGE: 2121

AN ATTACHMENT

TYPE 2

**SMCS-1324**

**i07114045**

NOTE	REF NO	GRAPHIC REF	PART NUMBER	QTY	PART NAME	SEE PAGE
					1 2 3 4 5 6 (PRODUCT LEVEL)	
Y	1	1	<b>5N-6237</b>	1	PUMP GP-ENGINE OIL (MANUAL LUBRICATION)	543
	2	1	<b>5N-6236</b>	1	BRACKET	
	3	1	<b>7X-2501</b>	4	BOLT (1/4-20X1.25-IN)	
	4	1	<b>8T-4205</b>	8	WASHER-HARD (7.2X14.5X2-MM THK)	
	5	1	<b>5N-6235</b>	1	PLATE	
	6	1	<b>5P-2566</b>	2	BOLT (1/2-13X1.5-IN)	
	7	1	<b>8T-4223</b>	8	WASHER-HARD (13.5X25.5X3-MM THK)	
	8	1	<b>6V-8188</b>	4	NUT (1/2-13-THD)	
	9	1	<b>8T-8919</b>	2	BOLT (1/2-13X1.75-IN)	
	10	1	<b>7X-7731</b>	1	PLUG-PIPE (3/4-14-THD)	
	11	1	<b>3B-7265</b>	1	NIPPLE-PIPE	
	12	1	<b>1K-6937</b>	1	ELBOW-PIPE	
C	13	1	<b>0L-0701</b>	1	NUT (1-1/2-12-THD)	
	14	1	<b>5F-6371</b>	1	CONNECTOR	
	15	1	<b>003-9163</b>	1	ELBOW	
C	16	1	<b>4P-5242</b>	1	PICKUP AS-OIL	
C	17	1	<b>1U-4738</b>	1	WASHER (39.3X60X6-MM THK)	
C	18	1	<b>4J-0521</b>	1	SEAL-O-RING	

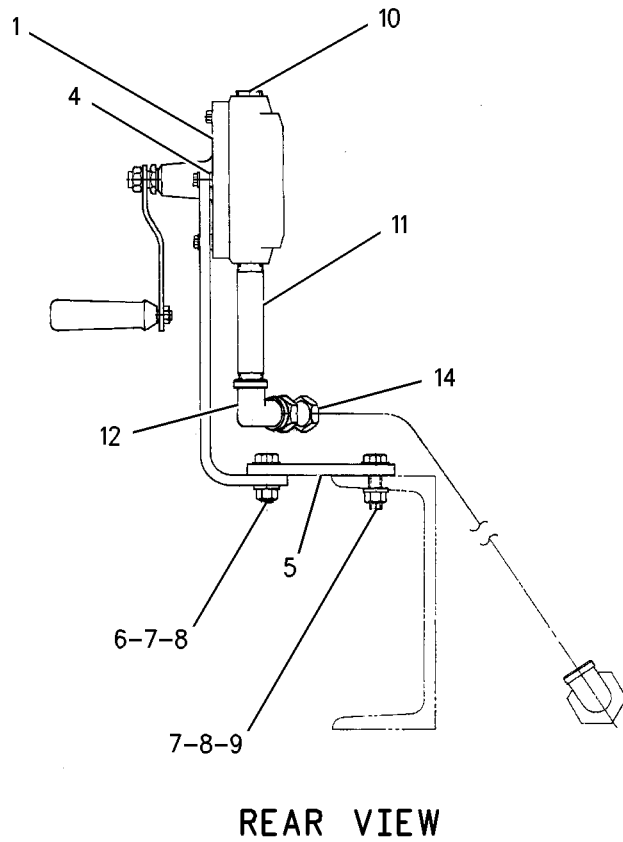
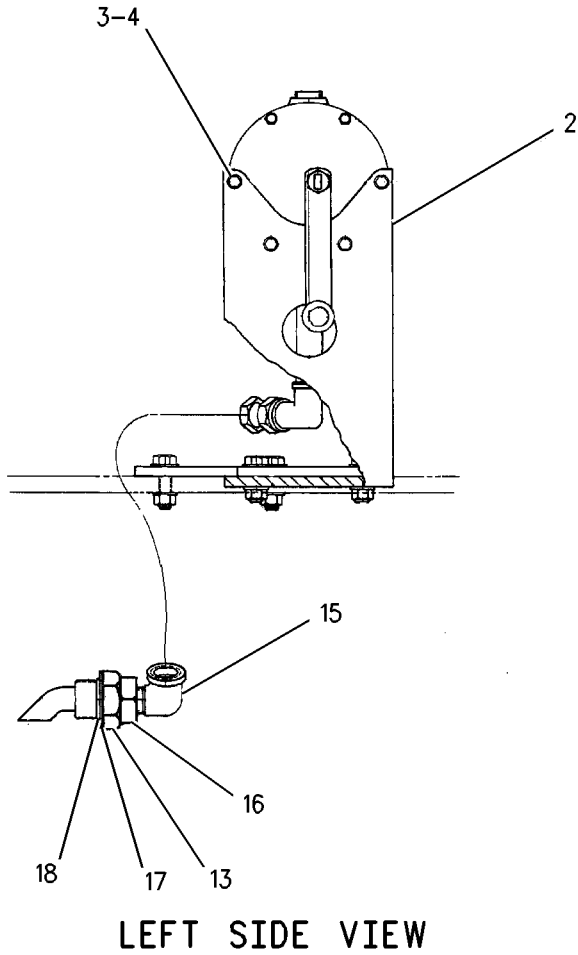
C - CHANGE FROM PREVIOUS TYPE

Y - SEPARATE ILLUSTRATION

# LUBRICATION SYSTEM

7W-9704 PUMP GP-SUMP (contd.)

i07114045



GRAPHIC #1

<END>

g00776889

# LUBRICATION SYSTEM

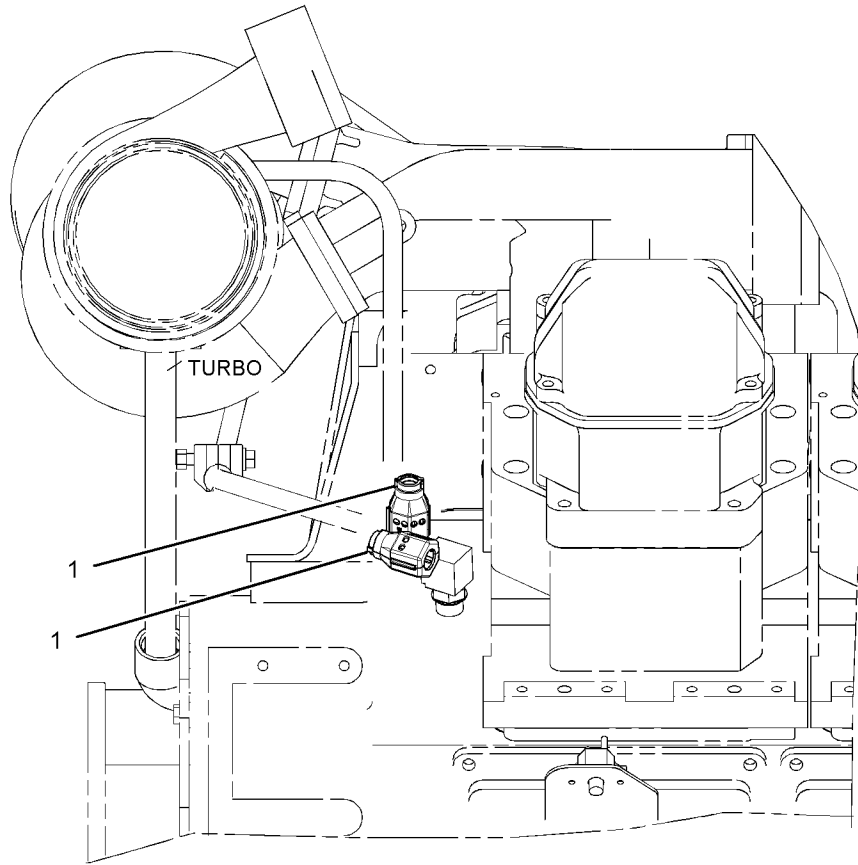
## 244-0478 SHIELD GP-ENGINE OIL LINES

ANTI-SPLASH  
AN ATTACHMENT

SMCS-1307

i02766899

NOTE	REF NO	GRAPHIC REF	PART NUMBER	QTY	PART NAME						SEE PAGE
					1	2	3	4	5	6 (PRODUCT LEVEL)	
	1	1	251-1255	2	SHIELD-FUEL LINE FITTING (18.05-MM ID)						



RIGHT SIDE VIEW OF ENGINE

GRAPHIC #1

<END>

g01389404

# LUBRICATION SYSTEM

## 244-0479 SHIELD GP-ENGINE OIL LINES

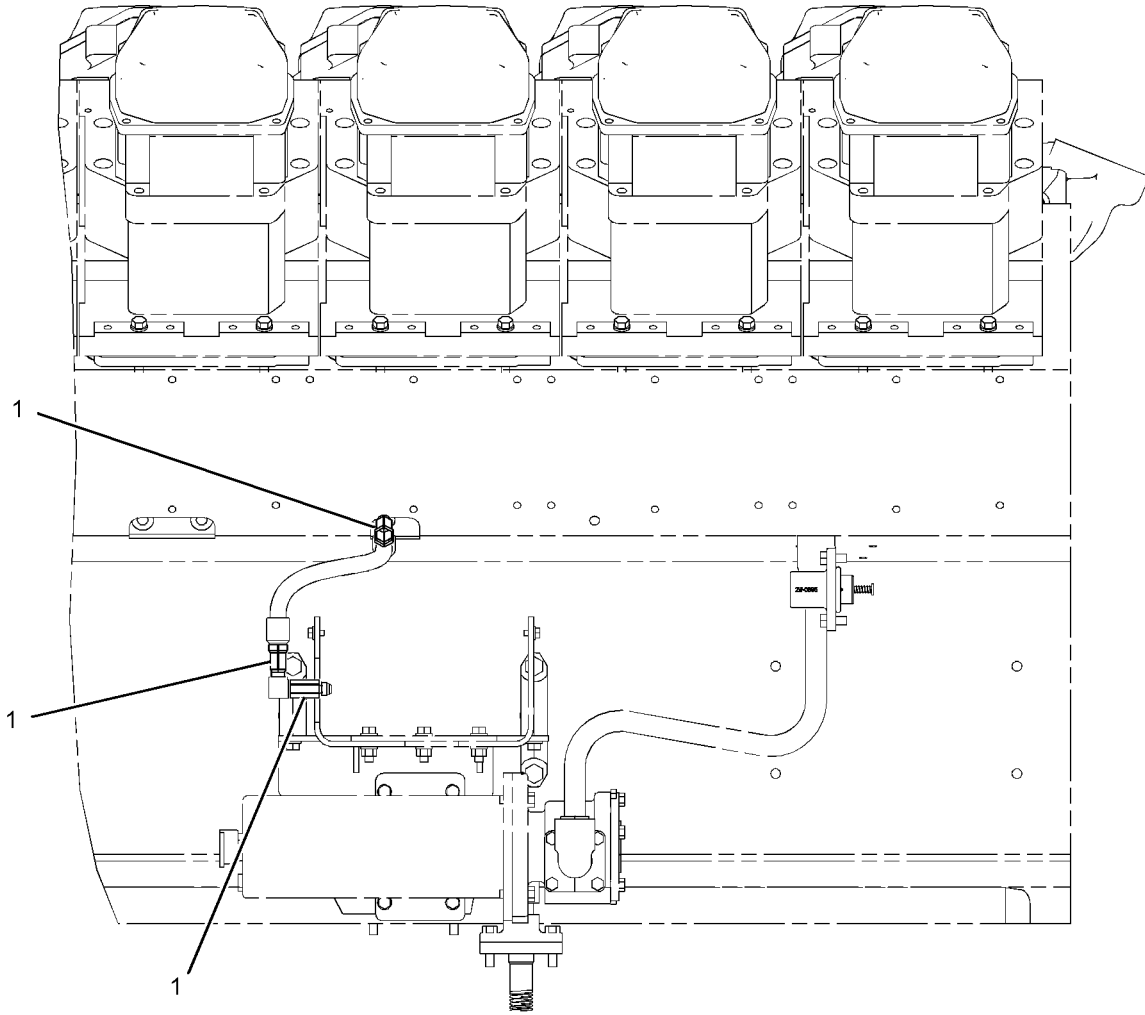
ANTI-SPLASH  
AN ATTACHMENT

SMCS-1307

i02187274

NOTE	REF NO	GRAPHIC REF	PART NUMBER	QTY	PART NAME	SEE PAGE
B	1	1	237-3860		TAPE (ANTI-SPLASH, 50-MM WIDE) (10-M ROLL)	

B - USE AS REQUIRED



FRONT VIEW

<END>

GRAPHIC #1

g01069718

# LUBRICATION SYSTEM

## 244-0480 SHIELD GP-ENGINE OIL LINES

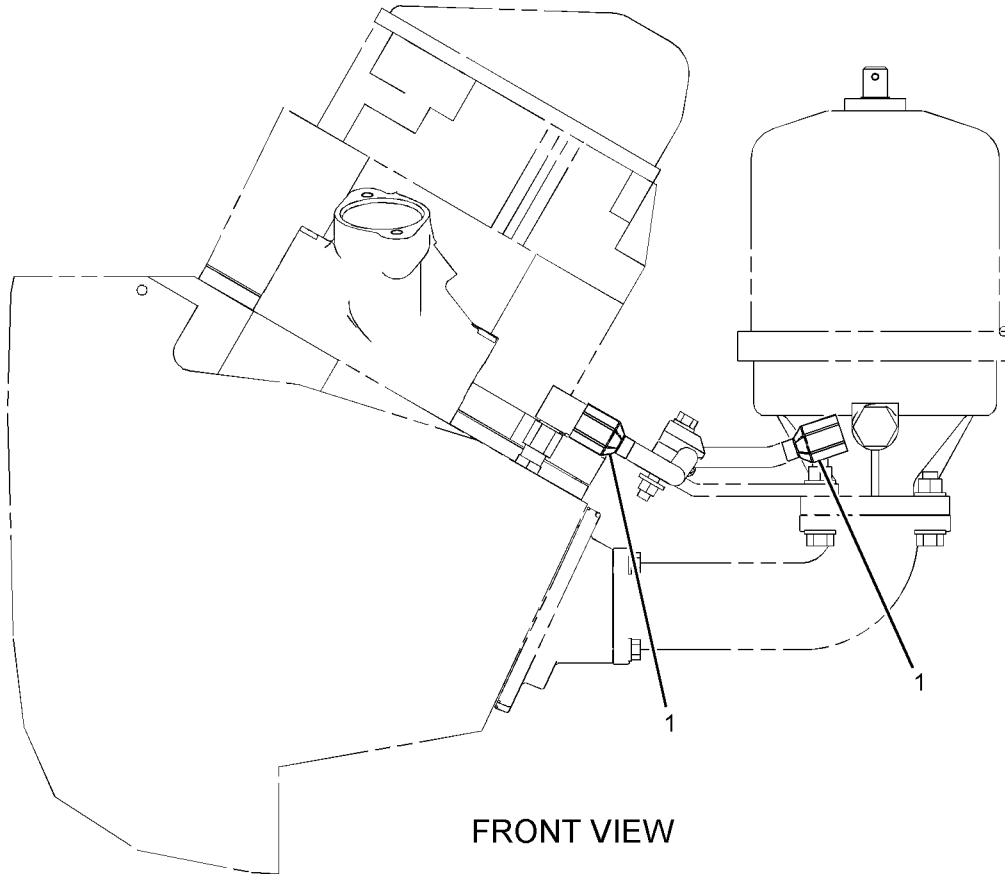
ANTI-SPLASH  
AN ATTACHMENT

SMCS-1307

i02187276

NOTE	REF NO	GRAPHIC REF	PART NUMBER	QTY	PART NAME						SEE PAGE
					1	2	3	4	5	6 (PRODUCT LEVEL)	
B	1	1	<b>237-3860</b>		TAPE (ANTI-SPLASH, 50-MM WIDE) (10-M ROLL)						

B - USE AS REQUIRED



GRAPHIC #1

<END>

g01069500

# LUBRICATION SYSTEM

## 257-5884 SHIELD GP-ENGINE OIL LINES AN ATTACHMENT

SMCS-1307

i03654069

NOTE	REF NO	GRAPHIC REF	PART NUMBER	QTY	PART NAME						SEE PAGE
					1	2	3	4	5	6 (PRODUCT LEVEL)	
B	1	1,2	237-3860		TAPE (ANTI-SPLASH, 50-MM WIDE)						

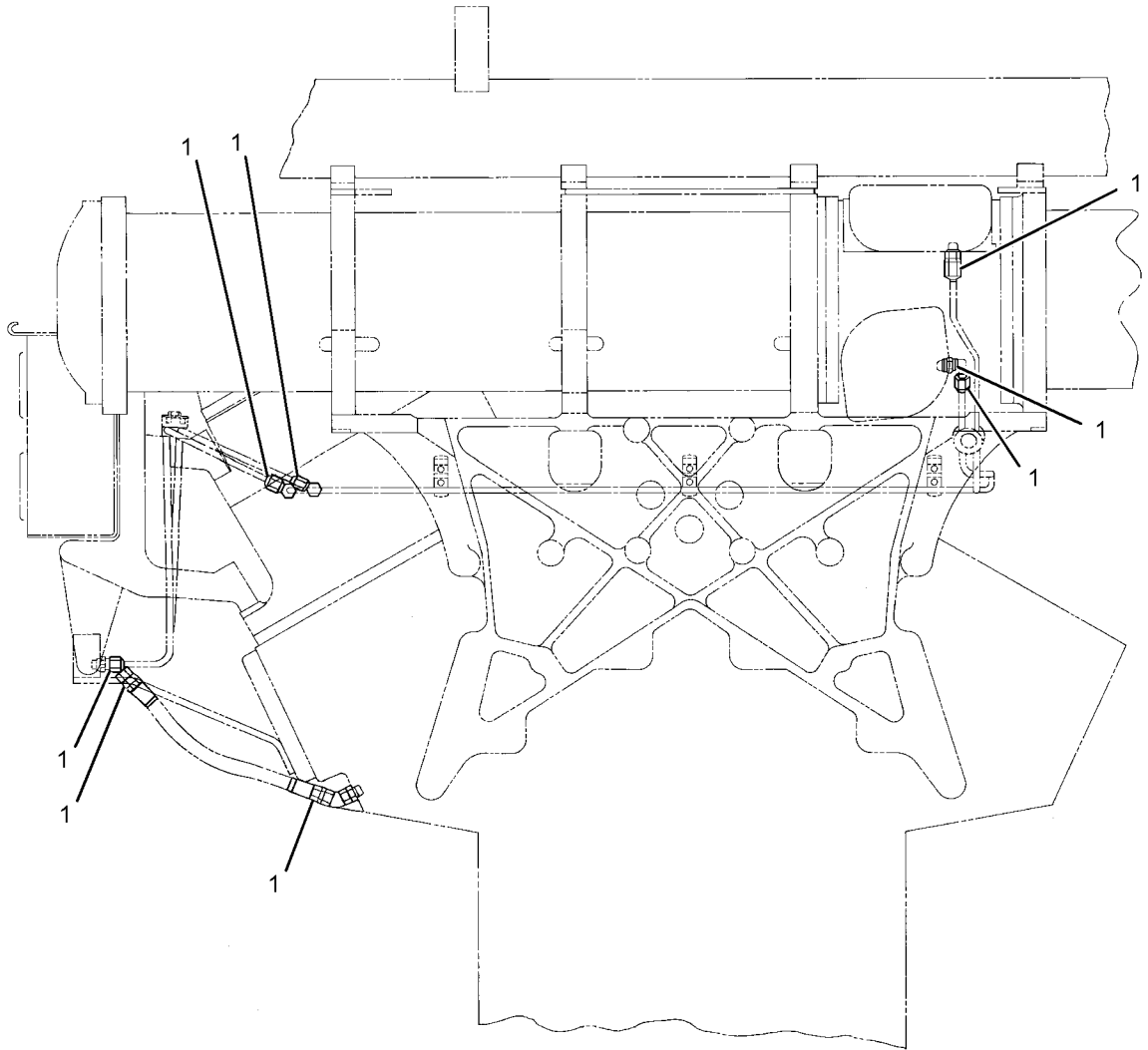
B - USE AS REQUIRED



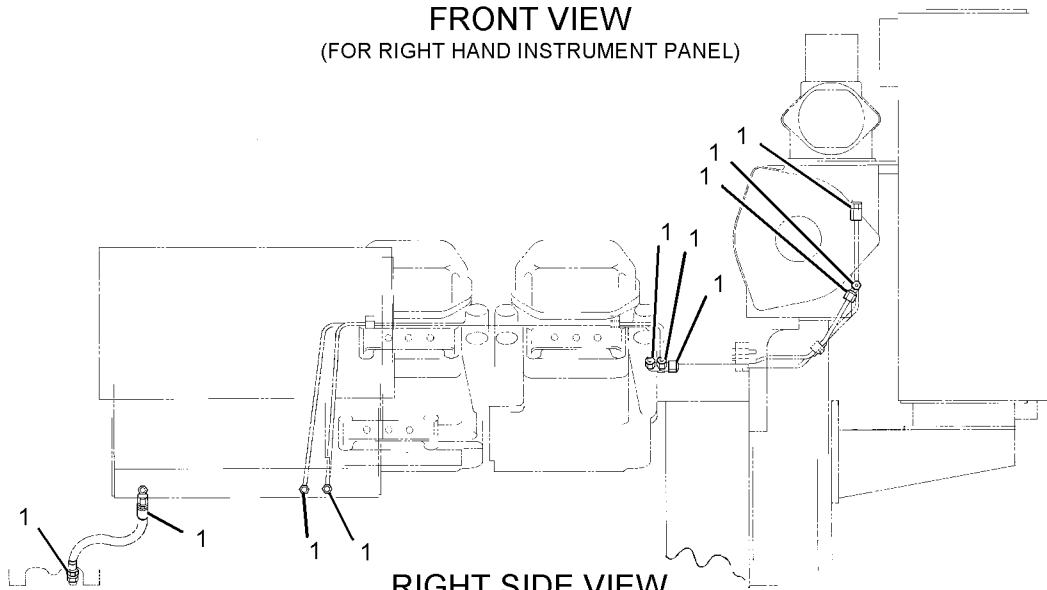
# LUBRICATION SYSTEM

257-5884 SHIELD GP-ENGINE OIL LINES (contd.)

103654069



**FRONT VIEW**  
(FOR RIGHT HAND INSTRUMENT PANEL)



**RIGHT SIDE VIEW**

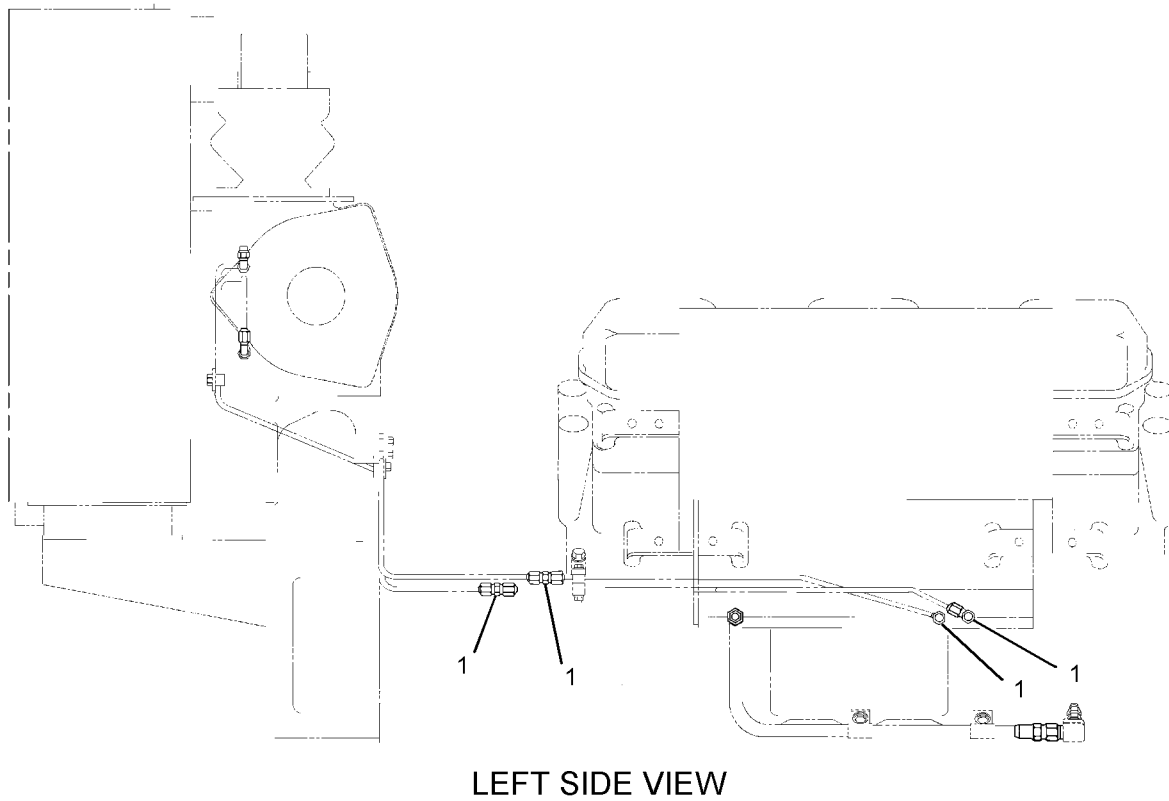
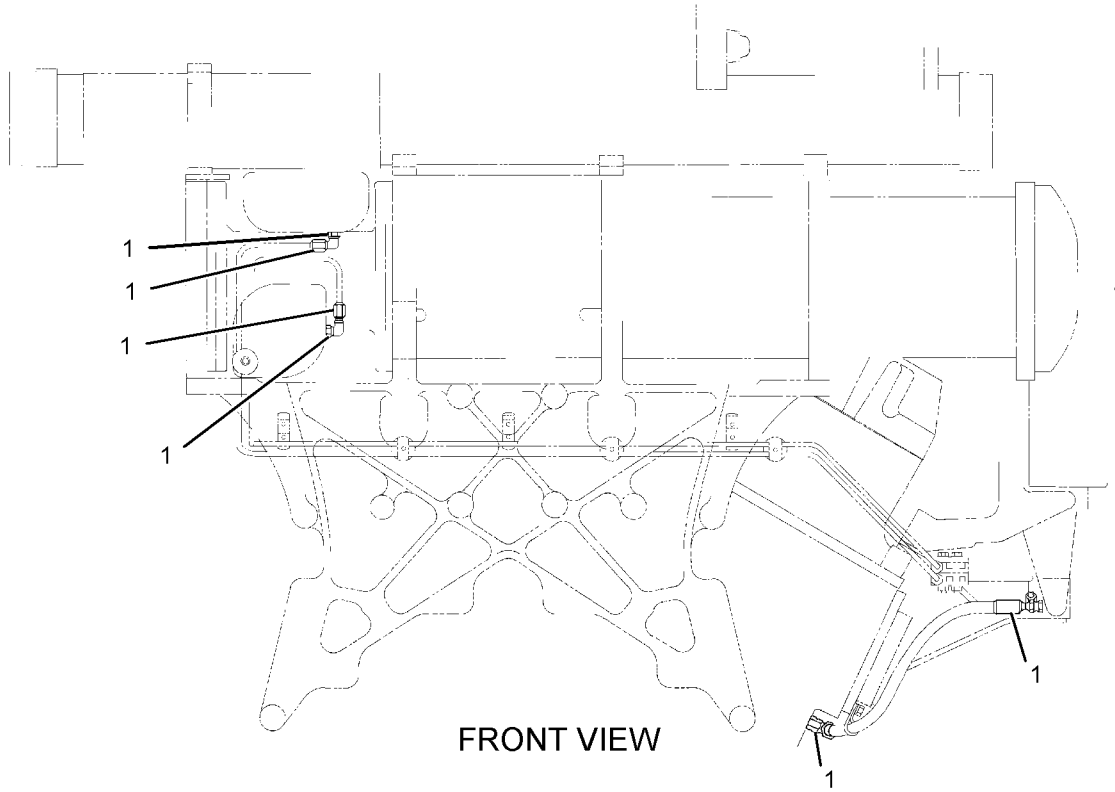
GRAPHIC #1

g01133722

# LUBRICATION SYSTEM

257-5884 SHIELD GP-ENGINE OIL LINES (contd.)

103654069



GRAPHIC #2

<END>

g01133723

# LUBRICATION SYSTEM

## 309-2890 SHIELD GP-ENGINE OIL LINES

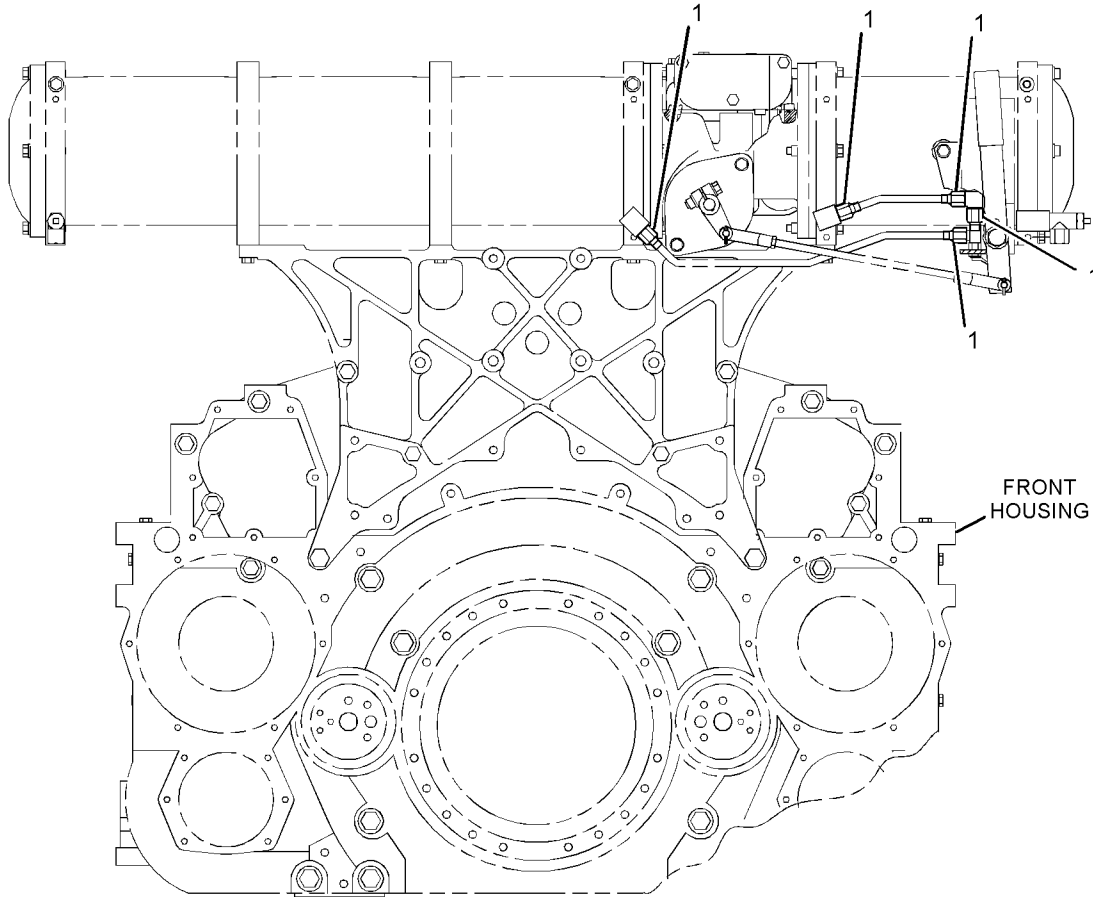
FOR USE WITH DUPLEX OIL FILTER  
AN ATTACHMENT

SMCS-1307

i03637581

NOTE	REF NO	GRAPHIC REF	PART NUMBER	QTY	PART NAME						SEE PAGE
					1	2	3	4	5	6 (PRODUCT LEVEL)	
B	1	1	237-3860		TAPE (ANTI-SPLASH, 50-MM WIDE)						

B - USE AS REQUIRED



FRONT VIEW OF ENGINE

GRAPHIC #1

<END>

g01366271

# LUBRICATION SYSTEM

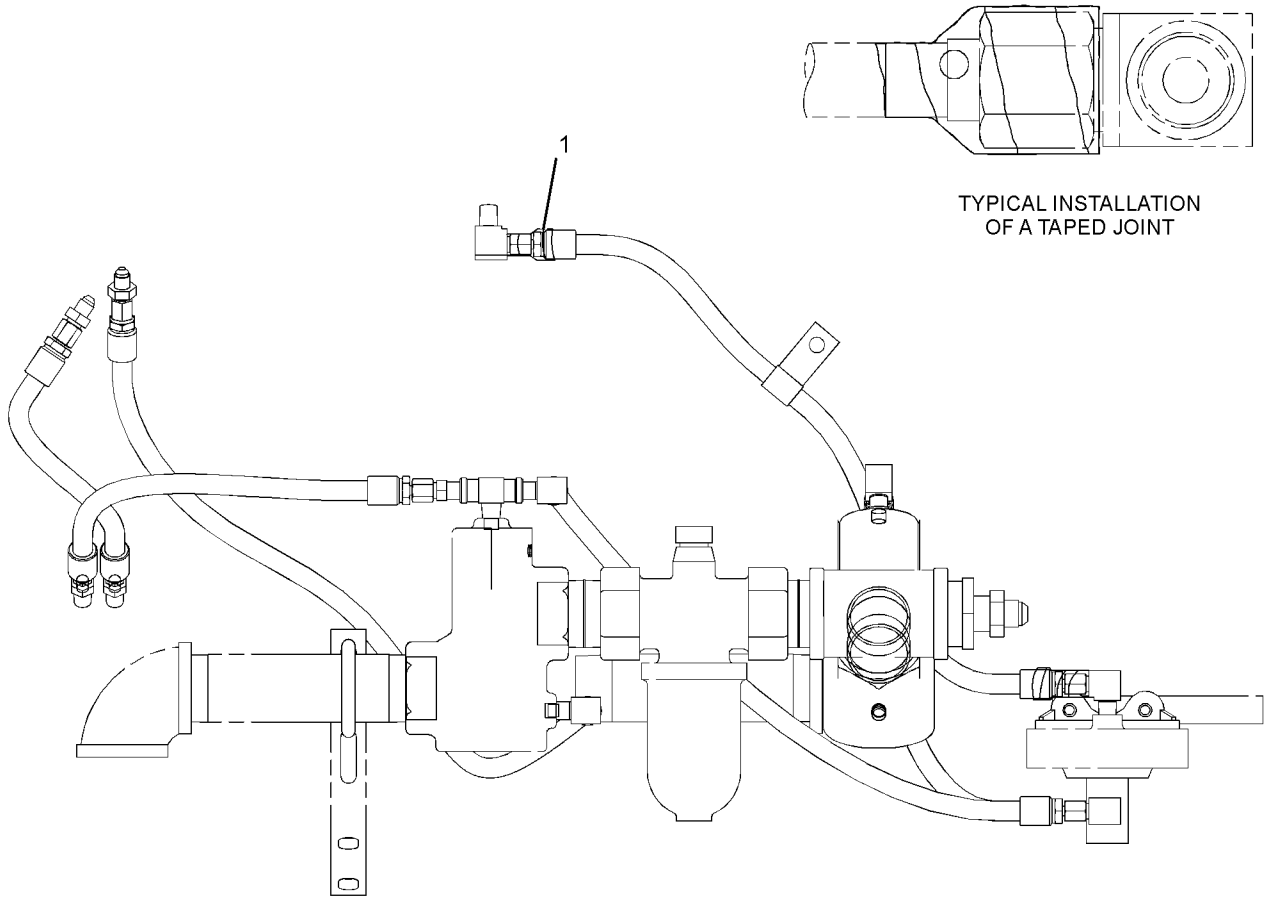
## 311-3335 SHIELD GP-ENGINE OIL LINES AN ATTACHMENT

SMCS-1307

i03023949

NOTE	REF NO	GRAPHIC REF	PART NUMBER	QTY	PART NAME						SEE PAGE
					1	2	3	4	5	6 (PRODUCT LEVEL)	
B	1	1	237-3860	1	TAPE (ANTI-SPLASH, 50-MM WIDE)						

B - USE AS REQUIRED



RIGHT SIDE VIEW OF ENGINE

GRAPHIC #1

<END>

g01695573

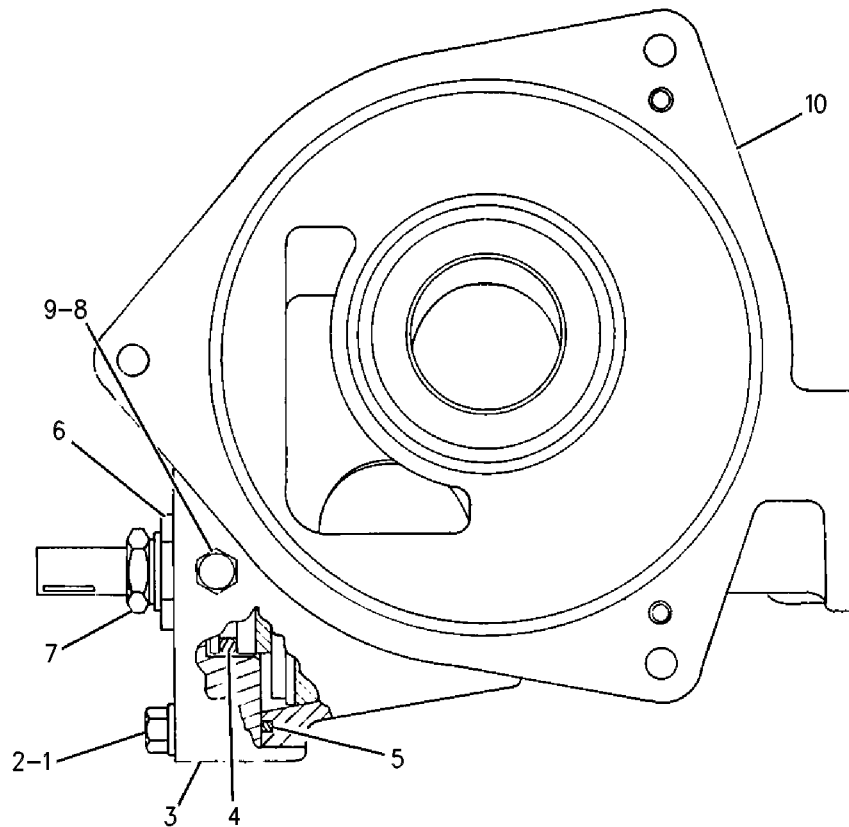
# LUBRICATION SYSTEM

## 7W-3816 VALVE GP-FLUID CONTROL-DUPLEX OIL PART OF 4W-9968 FILTER GP-ENGINE OIL AN ATTACHMENT

SMCS-7560

i06057158

NOTE	REF NO	GRAPHIC REF	PART NUMBER	QTY	PART NAME						SEE PAGE
					1	2	3	4	5	6 (PRODUCT LEVEL)	
	1	1	<b>165-3931</b>	2	BOLT (3/8-16X1.75-IN)						
	2	1	<b>5M-2894</b>	2	WASHER-HARD (10.2X18.5X2.5-MM THK)						
	3	1	<b>354-2399</b>	1	COVER AS						
		1	<b>7S-2245</b>	1	DOWEL						
		1	<b>3H-2617</b>	1	PIN-SPRING						
4		1	<b>9M-2610</b>	1	SEAL-O-RING						
5		1	<b>5D-5957</b>	1	SEAL-O-RING						
6		1	<b>3B-7329</b>	1	NUT (1-14-THD)						
7		1	<b>5H-7225</b>	1	NUT-RETAINER (1-11/16-THD)						
8		1	<b>9S-4182</b>	1	PLUG (7/16-20-THD)						
9		1	<b>6V-5048</b>	1	SEAL-O-RING						
10		1	<b>2W-9210</b>	1	VALVE AS (DUPLEX)						
		1	<b>4H-6996</b>	1	PIN-SPRING						
		1	<b>7N-2043</b>	3	DOWEL						



GRAPHIC #1

<END>

g00623922

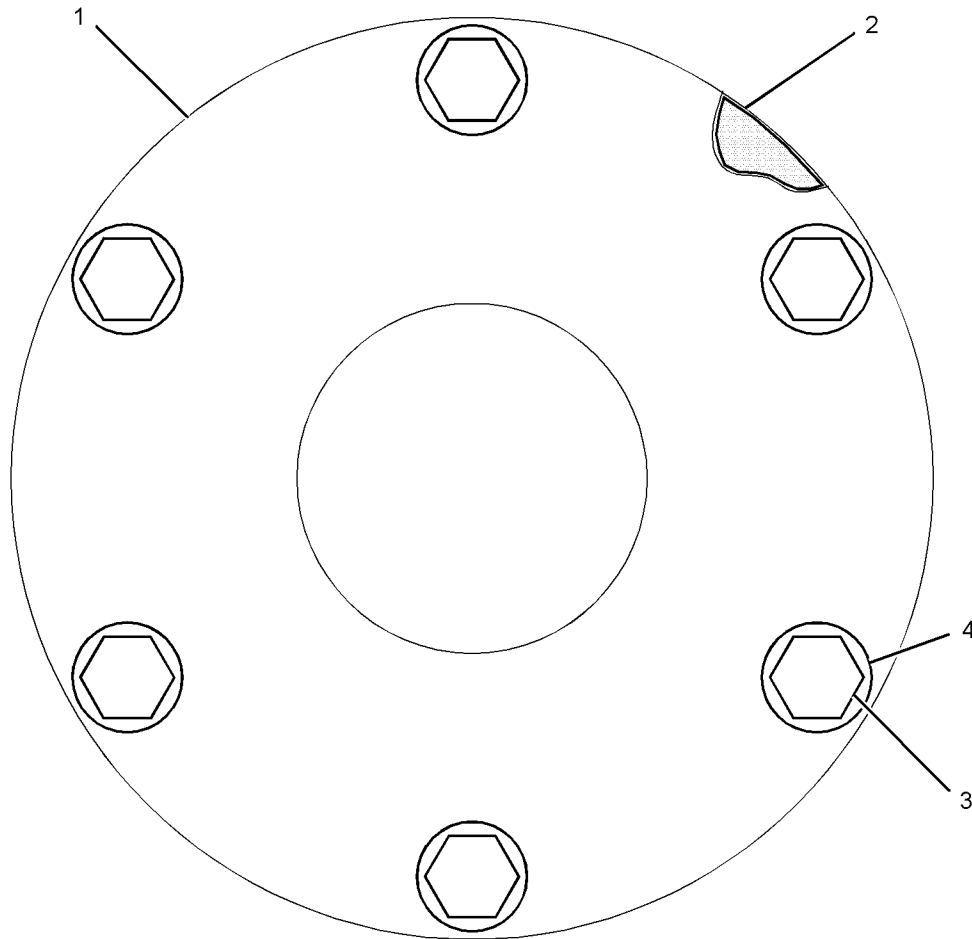
# COOLING SYSTEM

## 3N-2652 CONNECTION GP-EXPANSION TANK-AUXILIARY AN ATTACHMENT

SMCS-1354

i02346068

NOTE	REF NO	GRAPHIC REF	PART NUMBER	QTY	PART NAME						SEE PAGE
					1	2	3	4	5	6	
	1	1	<b>2N-7604</b>	1	FLANGE						
	2	1	<b>3H-5939</b>	2	GASKET-HEAT EXCHANGER						
	3	1	<b>0S-1594</b>	6	BOLT (3/8-16X1-IN)						
	4	1	<b>3V-3308</b>	6	WASHER-HARD (10.2X20.5X2.5-MM THK)						



GRAPHIC #1

<END>

g01172854

# COOLING SYSTEM

## 7N-6527 CONNECTION GP-TORQUE CONV CLR

REMOTE

FOR USE WITH ENGINE ACCESSORIES WHICH REQUIRE A SOURCE OF ENGINE JACKET WATER FOR  
COOLING  
AN ATTACHMENT

SMCS-1375

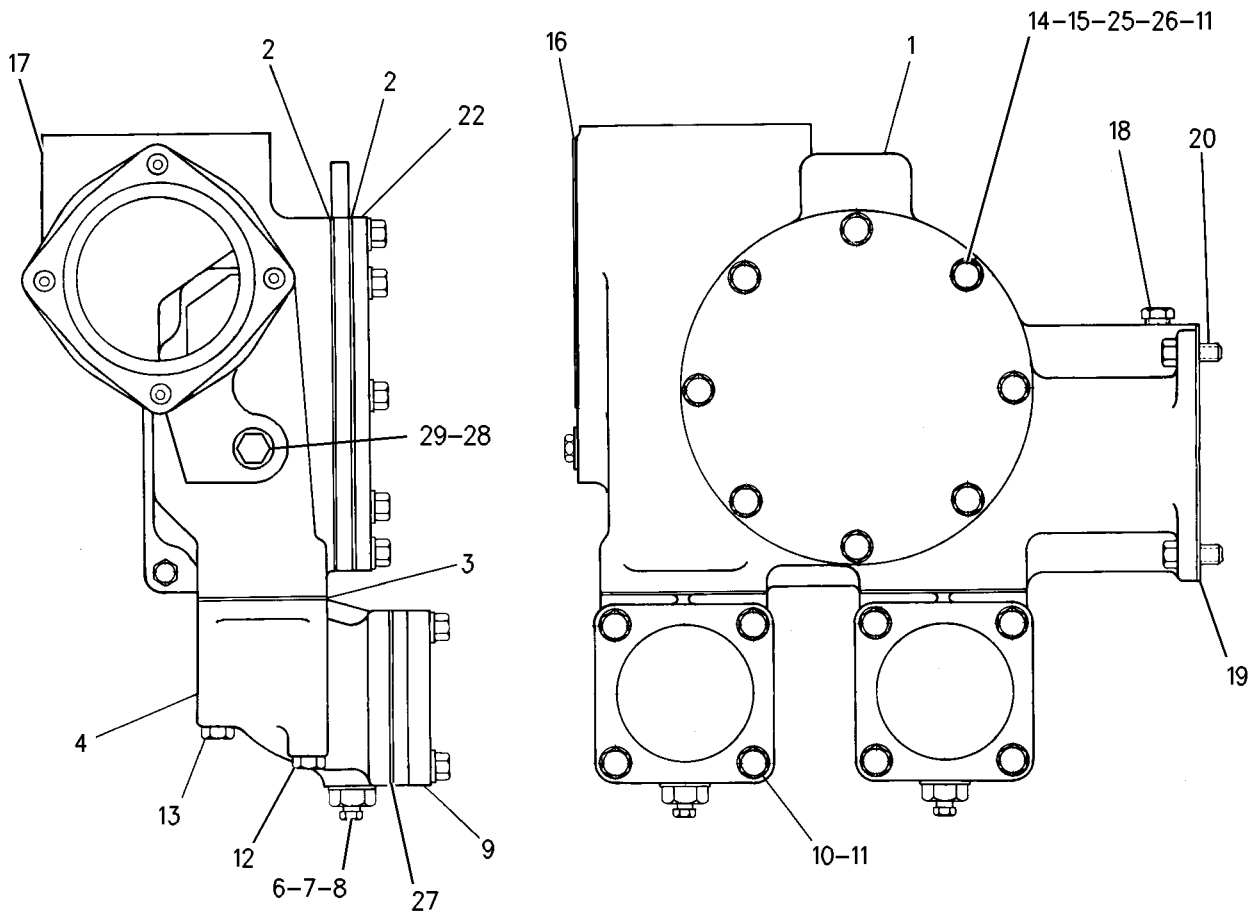
i01935599

NOTE	REF NO	GRAPHIC REF	PART NUMBER	QTY	PART NAME						SEE PAGE
					1	2	3	4	5	6 (PRODUCT LEVEL)	
	1	1	<b>8N-8535</b>	1	ORIFICE AS						
	2	1	<b>1S-5772</b>	2	GASKET						
	3	1	<b>1N-4859</b>	2	GASKET						
	4	1	<b>8N-8524</b>	2	ELBOW						
	6	1	<b>9M-4897</b>	2	ADAPTER-FITTING						
	7	1	<b>4B-8407</b>	2	GASKET-COPPER						
	8	1	<b>8T-6764</b>	2	PLUG-PIPE (1/8-27-THD)						
	9	1	<b>2N-8329</b>	2	FLANGE						
	10	1	<b>0S-1588</b>	8	BOLT (3/8-16X1.25-IN)						
	11	1	<b>5M-2894</b>	16	WASHER-HARD (10.2X18.5X2.5-MM THK)						
	12	1	<b>8S-9191</b>	4	BOLT (3/8-16X4-IN)						
	13	1	<b>0L-1352</b>	4	BOLT (3/8-16X3.25-IN)						
B	14	1	<b>0S-1590</b>	8	BOLT (3/8-16X2-IN)						
B	15	1	<b>0S-1591</b>	8	BOLT (3/8-16X1.5-IN)						
	16	1	<b>4N-1320</b>	1	GASKET (ADAPTER)						
	17	1	<b>120-7420</b>	1	ADAPTER						
	18	1	<b>8T-6765</b>	1	PLUG-PIPE (1/4-18-THD)						
	19	1	<b>7N-4932</b>	1	GASKET						
	20	1	<b>0S-1594</b>	4	BOLT (3/8-16X1-IN)						
	22	1	<b>7S-8420</b>	1	COVER						
B	25	1	<b>0S-1594</b>	8	BOLT (3/8-16X1-IN)						
B	26	1	<b>0S-1571</b>	8	BOLT (3/8-16X1.75-IN)						
	27	1	<b>1H-7666</b>	2	GASKET						
	28	1	<b>6V-6609</b>	1	SEAL-O-RING						
	29	1	<b>9S-4185</b>	1	PLUG (3/4-16-THD)						
B - USE AS REQUIRED											

# COOLING SYSTEM

7N-6527 CONNECTION GP-TORQUE CONV CLR (contd.)

i01935599



GRAPHIC #1

<END>

g00829328



# COOLING SYSTEM

## 7N-6965 CONNECTION GP-WATER-INLET AN ATTACHMENT

SMCS - 1380

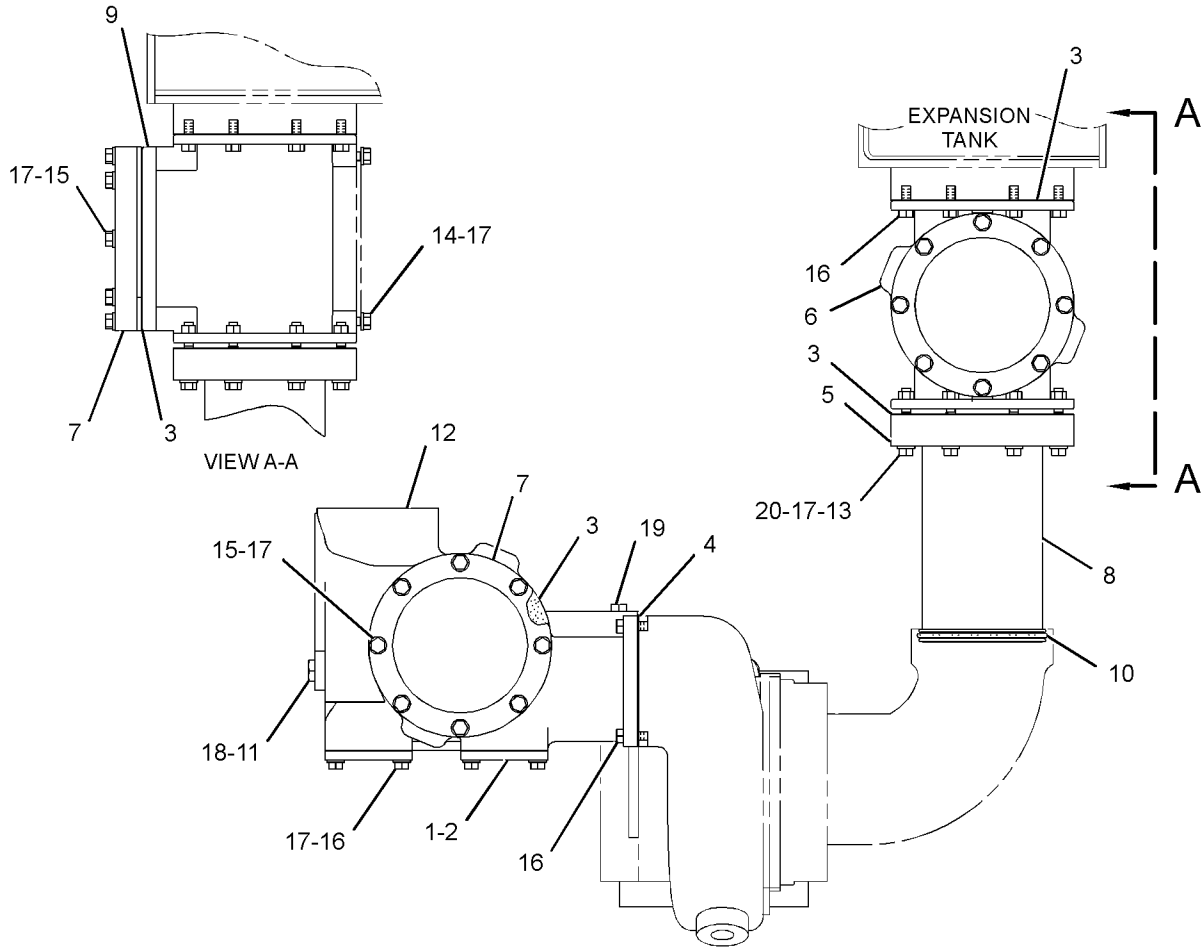
i07350074

NOTE	REF NO	GRAPHIC REF	PART NUMBER	QTY	PART NAME						SEE PAGE
					1	2	3	4	5	6 (PRODUCT LEVEL)	
	1	1	<b>1N-4859</b>	2	GASKET						
	2	1	<b>1N-4860</b>	2	COVER						
	3	1	<b>1S-5772</b>	4	GASKET						
	4	1	<b>7N-4932</b>	1	GASKET						
	5	1	<b>7N-5120</b>	1	FLANGE						
	6	1	<b>7N-7008</b>	2	PLATE						
	7	1	<b>7N-7009</b>	2	FLANGE						
	8	1	<b>7N-7010</b>	1	TUBE						
	9	1	<b>7N-7012</b>	1	HOUSING						
	10	1	<b>8T-2903</b>	2	SEAL -O-RING						
	11	1	<b>9S-4185</b>	1	PLUG (3/4-16-THD)						
	12	1	<b>120-7420</b>	1	ADAPTER						
	13	1	<b>0L-1143</b>	8	BOLT (3/8-16X2.5-IN)						
	14	1	<b>0S-0509</b>	2	BOLT (3/8-16X0.75-IN)						
	15	1	<b>0S-1571</b>	16	BOLT (3/8-16X1.75-IN)						
	16	1	<b>0S-1594</b>	20	BOLT (3/8-16X1-IN)						
	17	1	<b>5M-2894</b>	34	WASHER-HARD (10.2X18.5X2.5-MM THK)						
	18	1	<b>6V-6609</b>	1	SEAL-O-RING						
	19	1	<b>8T-6765</b>	1	PLUG-PIPE (1/4-18-THD)						
	20	1	<b>9S-8752</b>	8	NUT-FULL (3/8-16-THD)						

# COOLING SYSTEM

7N-6965 CONNECTION GP-WATER (contd.)

i07350074



RIGHT SIDE VIEW OF ENGINE

GRAPHIC #1

<END>

g01280828

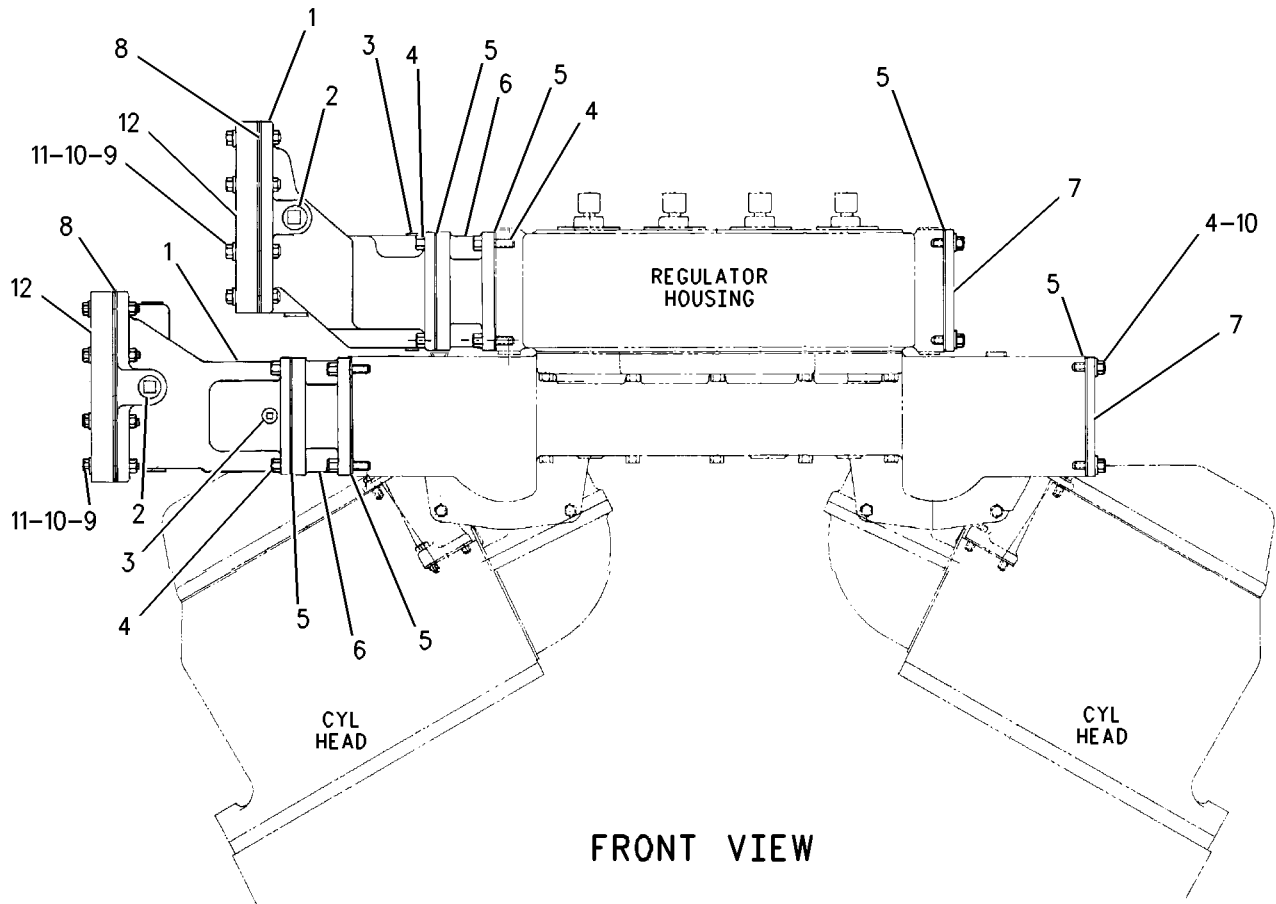
# COOLING SYSTEM

## 7W-5848 CONNECTION GP-WATER-INLET, RH AN ATTACHMENT

SMCS-1380

i06925783

NOTE	REF NO	GRAPHIC REF	PART NUMBER	QTY	PART NAME						SEE PAGE
					1	2	3	4	5	6 (PRODUCT LEVEL)	
	1	1	<b>1W-2639</b>	2	ADAPTER-EXCHANGER						
	2	1	<b>8T-6762</b>	6	PLUG-PIPE (1/2-14-THD)						
	3	1	<b>8T-6758</b>	4	PLUG-PIPE (1/4-18-THD)						
	4	1	<b>0S-1594</b>	24	BOLT (3/8-16X1-IN)						
	5	1	<b>7E-6016</b>	6	GASKET						
	6	1	<b>7W-5849</b>	2	SPACER						
	7	1	<b>7E-6017</b>	2	COVER						
	8	1	<b>1S-5772</b>	2	GASKET						
	9	1	<b>0S-1590</b>	16	BOLT (3/8-16X2-IN)						
	10	1	<b>5M-2894</b>	24	WASHER-HARD (10.2X18.5X2.5-MM THK)						
	11	1	<b>9S-8752</b>	16	NUT-FULL (3/8-16-THD)						
	12	1	<b>7N-7009</b>	2	FLANGE						



GRAPHIC #1

<END>

g00705458

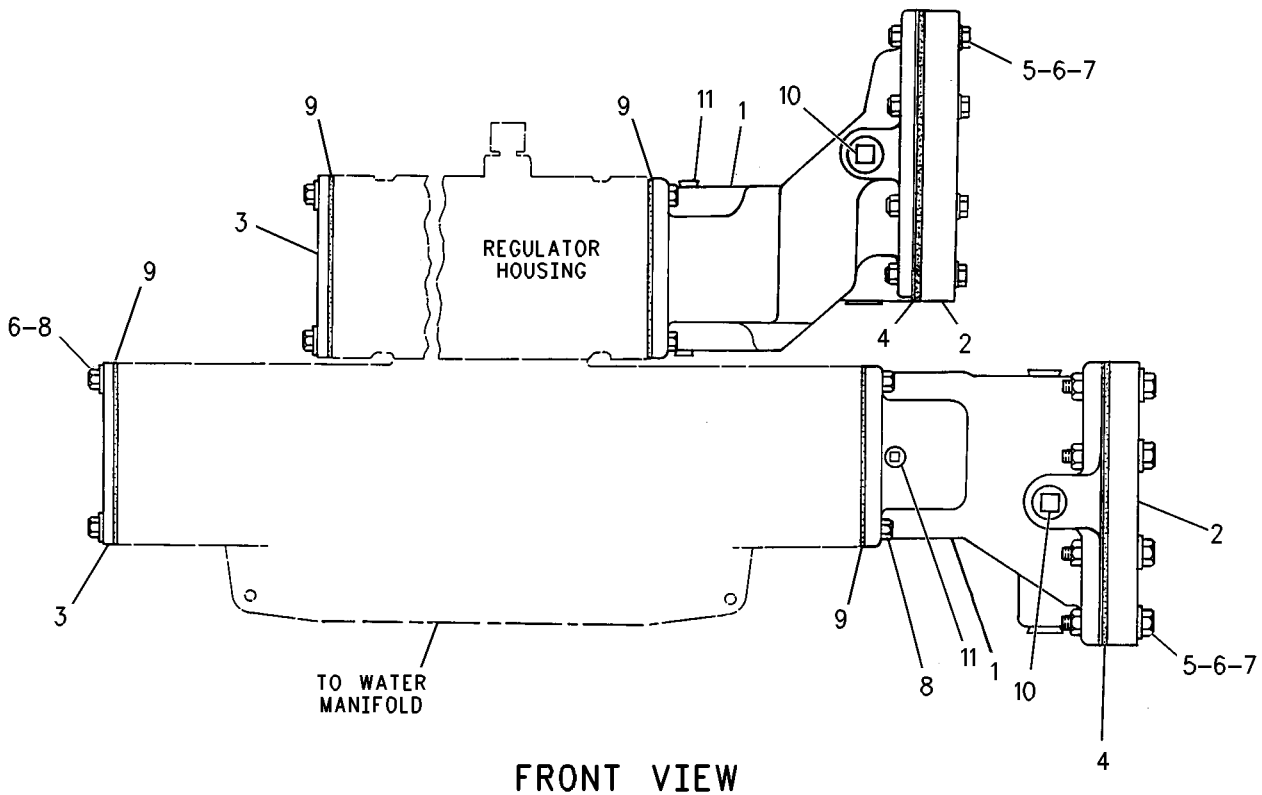
# COOLING SYSTEM

## 8N-8993 CONNECTION GP-WATER-INLET, LH PART OF 357-0858, 376-4849 ENGINE AR-COMplete, 8N-7715 LINES GP-WATER

SMCS-1380

i02356688

NOTE	REF NO	GRAPHIC REF	PART NUMBER	QTY	PART NAME						SEE PAGE
					1	2	3	4	5	6 (PRODUCT LEVEL)	
	1	1	<b>1W-2639</b>	2	ADAPTER - EXCHANGER						
	2	1	<b>7N-7009</b>	2	FLANGE						
	3	1	<b>7E-6017</b>	2	COVER						
	4	1	<b>1S-5772</b>	2	GASKET						
	5	1	<b>0S-1590</b>	16	BOLT (3/8-16X2-IN)						
	6	1	<b>5M-2894</b>	24	WASHER-HARD (10.2X18.5X2.5-MM THK)						
	7	1	<b>9S-8752</b>	16	NUT-FULL (3/8-16-THD)						
	8	1	<b>0S-1594</b>	16	BOLT (3/8-16X1-IN)						
	9	1	<b>7E-6016</b>	4	GASKET						
	10	1	<b>8T-6762</b>	6	PLUG-PIPE (1/2-14-THD)						
	11	1	<b>8T-6758</b>	4	PLUG-PIPE (1/4-18-THD)						



FRONT VIEW

GRAPHIC #1

<END>

g00863463

# COOLING SYSTEM

## 4W-5892 COOLER GP-ENGINE OIL

S/N: 50Y723-1304; 66Z190-578

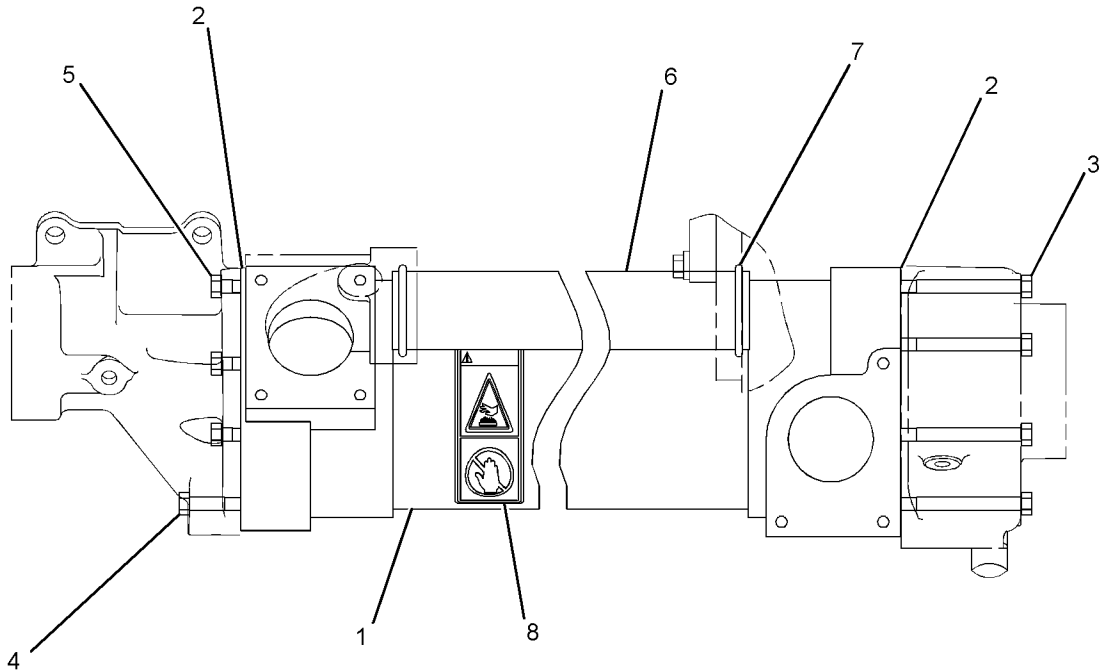
PART OF 357-0858, 376-4849 ENGINE AR-COMplete

**SMCS-1378**

**i05763229**

NOTE	REF NO	GRAPHIC REF	PART NUMBER	QTY	PART NAME						SEE PAGE
					1	2	3	4	5	6 (PRODUCT LEVEL)	
YR	1	1	<b>4W-4980</b>	1	CORE GP-OIL COOLER (ENGINE)						613
	2	1	<b>247-3796</b>	2	GASKET						
	3	1	<b>8S-9191</b>	8	BOLT (3/8-16X4-IN)						
	4	1	<b>0S-1590</b>	2	BOLT (3/8-16X2-IN)						
	5	1	<b>1A-2029</b>	6	BOLT (3/8-16X1.125-IN)						
	6	1	<b>7W-1929</b>	1	TUBE						
	7	1	<b>109-2332</b>	2	SEAL-O-RING						
	8	1	<b>225-3227</b>	1	FILM-WARNING (HOT SURFACE)						

R - REMANUFACTURED PART MAY BE AVAILABLE  
 Y - SEPARATE ILLUSTRATION



GRAPHIC #1

<END>

g03662113

# COOLING SYSTEM

## 7N-1877 COOLER GP-ENGINE OIL

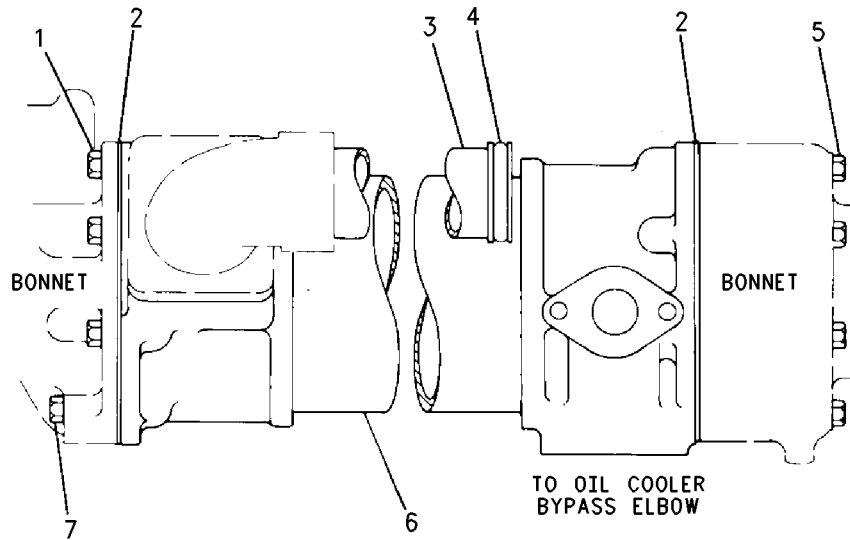
S/N: 50Y647-722; 66Z190-206

SMCS-1378

i01337672

NOTE	REF NO	GRAPHIC REF	PART NUMBER	QTY	PART NAME						SEE PAGE
					1	2	3	4	5	6 (PRODUCT LEVEL)	
	1	1	<b>1A-2029</b>	6	BOLT (3/8-16X1.125-IN)						
	2	1	<b>4L-8606</b>	2	GASKET						
	3	1	<b>8N-1235</b>	1	TUBE						
	4	1	<b>3H-2652</b>	2	SEAL-O-RING						
	5	1	<b>8S-9191</b>	8	BOLT (3/8-16X4-IN)						
C	6	1	<b>7N-4956</b>	1	CORE AS-OIL COOLER						
	7	1	<b>0S-1590</b>	2	BOLT (3/8-16X2-IN)						

C - CHANGE FROM PREVIOUS TYPE



GRAPHIC #1

<END>

g00707434

# COOLING SYSTEM

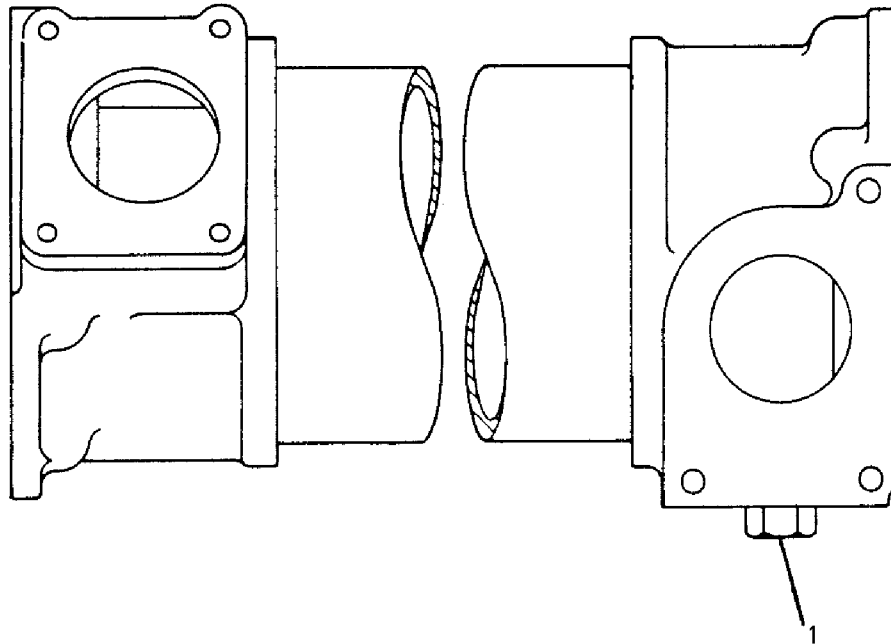
## 4W-4980 CORE GP-OIL COOLER-ENGINE\*R

S/N: 50Y723-1304; 66Z190-578  
PART OF 4W-5892 COOLER GP-ENGINE OIL

SMCS-1378

i05891088

NOTE	REF NO	GRAPHIC REF	PART NUMBER	QTY	PART NAME						SEE PAGE
					1	2	3	4	5	6 (PRODUCT LEVEL)	
	1	1	307-2670	1	PLUG AS						
		1	9S-4185	1	PLUG (3/4-16-THD)						
		1	238-5080	1	SEAL-O-RING						



GRAPHIC #1

<END>

g00637090

# COOLING SYSTEM

## 107-1728 HEAT EXCHANGER GP-SEA WATER

1016-MM DOUBLE PASS  
CANNOT BE USED WITH A RADIATOR  
AN ATTACHMENT

SMCS - 1379

i02327534

NOTE	PART NUMBER	QTY	PART NAME						SEE PAGE
			1	2	3	4	5	6 (PRODUCT LEVEL)	
	8T-8924	16	BOLT (3/4-10X2.5-IN)						
	8T-6871	8	BOLT (5/8-11X2.5-IN)						
	101-8679	2	FLANGE (8-HOLE)						
	101-8678	2	FLANGE (4-HOLE)						
	107-1727	2	GASKET (4-HOLE)						
	8F-2347	2	GASKET (8-HOLE)						
Y	4W-4642	1	HEAT EXCHANGER GP-SEA WATER						635
	7X-0448	8	NUT (5/8-11-THD)						
	6V-8182	16	NUT (3/4-10-THD)						
	8T-4994	32	WASHER-HARD (20X36.5X3.5-MM THK)						
	8T-4122	16	WASHER-HARD (17X32X3.5-MM THK)						

Y - SEPARATE ILLUSTRATION

<END>

## 107-1729 HEAT EXCHANGER GP-SEA WATER

762-MM DOUBLE PASS  
CANNOT BE USED WITH A RADIATOR  
AN ATTACHMENT

SMCS - 1379

i02327533

NOTE	PART NUMBER	QTY	PART NAME						SEE PAGE
			1	2	3	4	5	6 (PRODUCT LEVEL)	
	8T-8924	16	BOLT (3/4-10X2.5-IN)						
	8T-6871	8	BOLT (5/8-11X2.5-IN)						
	101-8679	2	FLANGE (8-HOLE)						
	101-8678	2	FLANGE (4-HOLE)						
	107-1727	2	GASKET (4-HOLE)						
	8F-2347	2	GASKET (8-HOLE)						
Y	4W-4632	1	HEAT EXCHANGER GP-SEA WATER						631
	7X-0448	8	NUT (5/8-11-THD)						
	6V-8182	16	NUT (3/4-10-THD)						
	8T-4994	32	WASHER-HARD (20X36.5X3.5-MM THK)						
	8T-4122	16	WASHER-HARD (17X32X3.5-MM THK)						

Y - SEPARATE ILLUSTRATION

<END>



# COOLING SYSTEM

## 107-1730 HEAT EXCHANGER GP-SEA WATER

1270-MM DOUBLE PASS

CANNOT BE USED WITH A RADIATOR  
AN ATTACHMENT

**SMCS-1379**

**i02327529**

NOTE	PART NUMBER	QTY	PART NAME 1 2 3 4 5 6 (PRODUCT LEVEL)	SEE PAGE
	<b>8T-8924</b>	16	BOLT (3/4-10X2.5-IN)	
	<b>8T-6871</b>	8	BOLT (5/8-11X2.5-IN)	
	<b>101-8679</b>	2	FLANGE (8-HOLE)	
	<b>101-8678</b>	2	FLANGE (4-HOLE)	
	<b>107-1727</b>	2	GASKET (4-HOLE)	
	<b>8F-2347</b>	2	GASKET (8-HOLE)	
Y	<b>4W-4652</b>	1	HEAT EXCHANGER GP-SEA WATER	639
	<b>7X-0448</b>	8	NUT (5/8-11-THD)	
	<b>6V-8182</b>	16	NUT (3/4-10-THD)	
	<b>8T-4994</b>	32	WASHER-HARD (20X36.5X3.5-MM THK)	
	<b>8T-4122</b>	16	WASHER-HARD (17X32X3.5-MM THK)	

Y - SEPARATE ILLUSTRATION

<END>

# COOLING SYSTEM

## 134-3530 HEAT EXCHANGER GP-SEA WATER

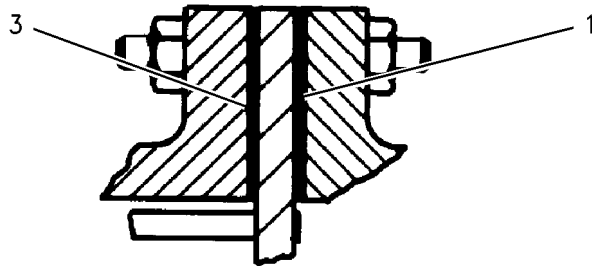
FIELD REPLACEMENT ORDER 4W-4652-PAGE: 639

PART OF 4W-4652 HEAT EXCHANGER GP-SEA WATER  
AN ATTACHMENT

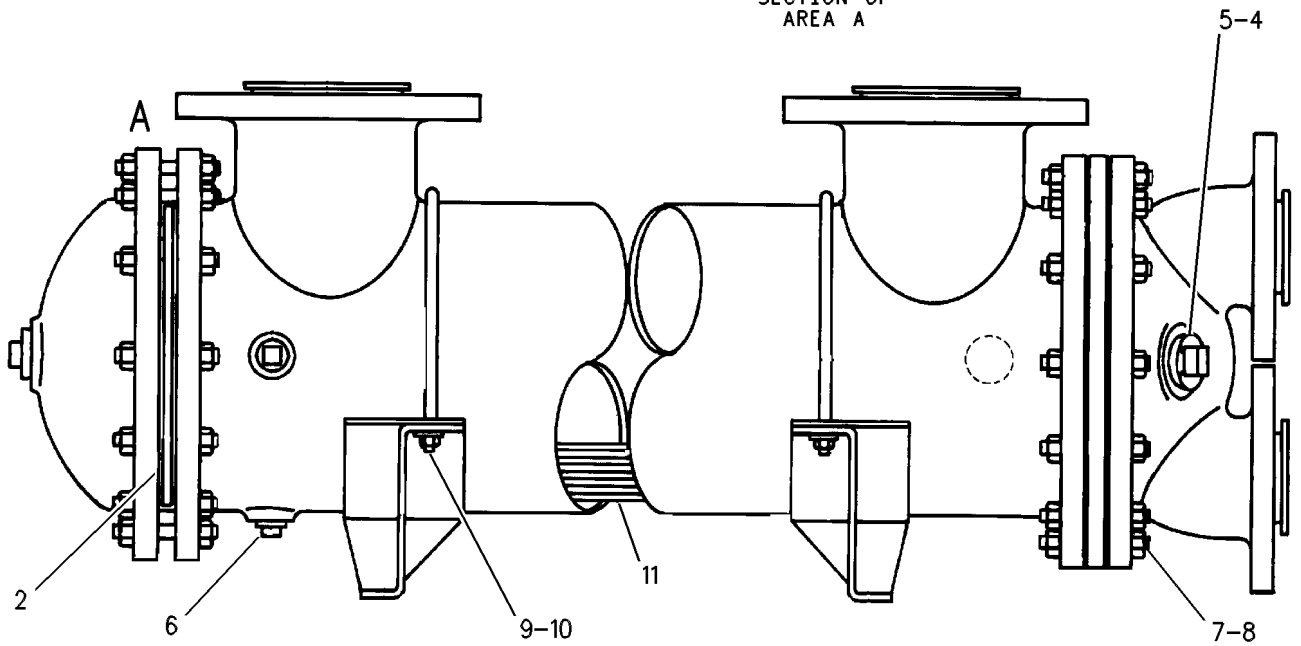
SMCS-1379

i02778855

NOTE	REF NO	GRAPHIC REF	PART NUMBER	QTY	PART NAME						SEE PAGE
					1	2	3	4	5	6 (PRODUCT LEVEL)	
	1	1	<b>7W-8402</b>	1	GASKET						
	2	1	<b>8T-6690</b>	2	SEAL-O-RING						
	3	1	<b>7W-8401</b>	1	GASKET						
	4	1	<b>6L-2284</b>	3	ROD-ZINC (HEAT EXCHANGER)						
	5	1	<b>6L-2286</b>	3	PLUG-PIPE						
	6	1	<b>6L-1595</b>	3	PLUG-PIPE						
	7	1	<b>134-5573</b>	24	STUD						
	8	1	<b>4K-0367</b>	48	NUT-FULL (5/8-11-THD)						
	9	1	<b>5P-1075</b>	4	WASHER-HARD (10.2X22.5X3-MM THK)						
	10	1	<b>9S-8752</b>	4	NUT-FULL (3/8-16-THD)						
	11	1	<b>109-5916</b>	1	CORE AS (HEAT EXCHANGER)						



SECTION OF  
AREA A



GRAPHIC #1

<END>

g00261259

# COOLING SYSTEM

## 134-3533 HEAT EXCHANGER GP-SEA WATER

PART OF 4W-4652 HEAT EXCHANGER GP-SEA WATER

AN ATTACHMENT

SMCS-1379

i02778856

NOTE	REF NO	GRAPHIC REF	PART NUMBER	QTY	PART NAME						SEE PAGE
					1	2	3	4	5	6 (PRODUCT LEVEL)	
	1	1	<b>155-2589</b>	1	CORE AS (HEAT EXCHANGER)						
	2	1	<b>155-2591</b>	1	GASKET						
	3	1	<b>155-2590</b>	1	GASKET						
	4	1	<b>155-2592</b>	1	SEAL						
	5	1	<b>8T-4896</b>	4	WASHER-HARD (10.2X18.5X2.5-MM THK)						
	6	1	<b>6V-8801</b>	4	NUT (3/8-16-THD)						
	7	1	<b>9B-0887</b>	3	PLUG-PIPE						
	8	1	<b>8C-6857</b>	8	BOLT (3/4-10X2.75-IN)						
	9	1	<b>8T-4994</b>	16	WASHER-HARD (20X36.5X3.5-MM THK)						
	10	1	<b>6V-8182</b>	16	NUT (3/4-10-THD)						
	11	1	<b>7X-0370</b>	8	BOLT (3/4-10X3.5-IN)						
J	12	1	<b>6L-2284</b>	3	ROD-ZINC (HEAT EXCHANGER)						
J	13	1	<b>6L-2286</b>	3	PLUG-PIPE						
	14	1	<b>1H-1200</b>	1	PIN-SPRING						
B	15	1	<b>8L-9767</b>	32	SHIM (0.015-IN THK)						
	16	1	<b>3N-9606</b>	2	U-BOLT						
	17	1	<b>155-2596</b>	2	BRACKET AS						

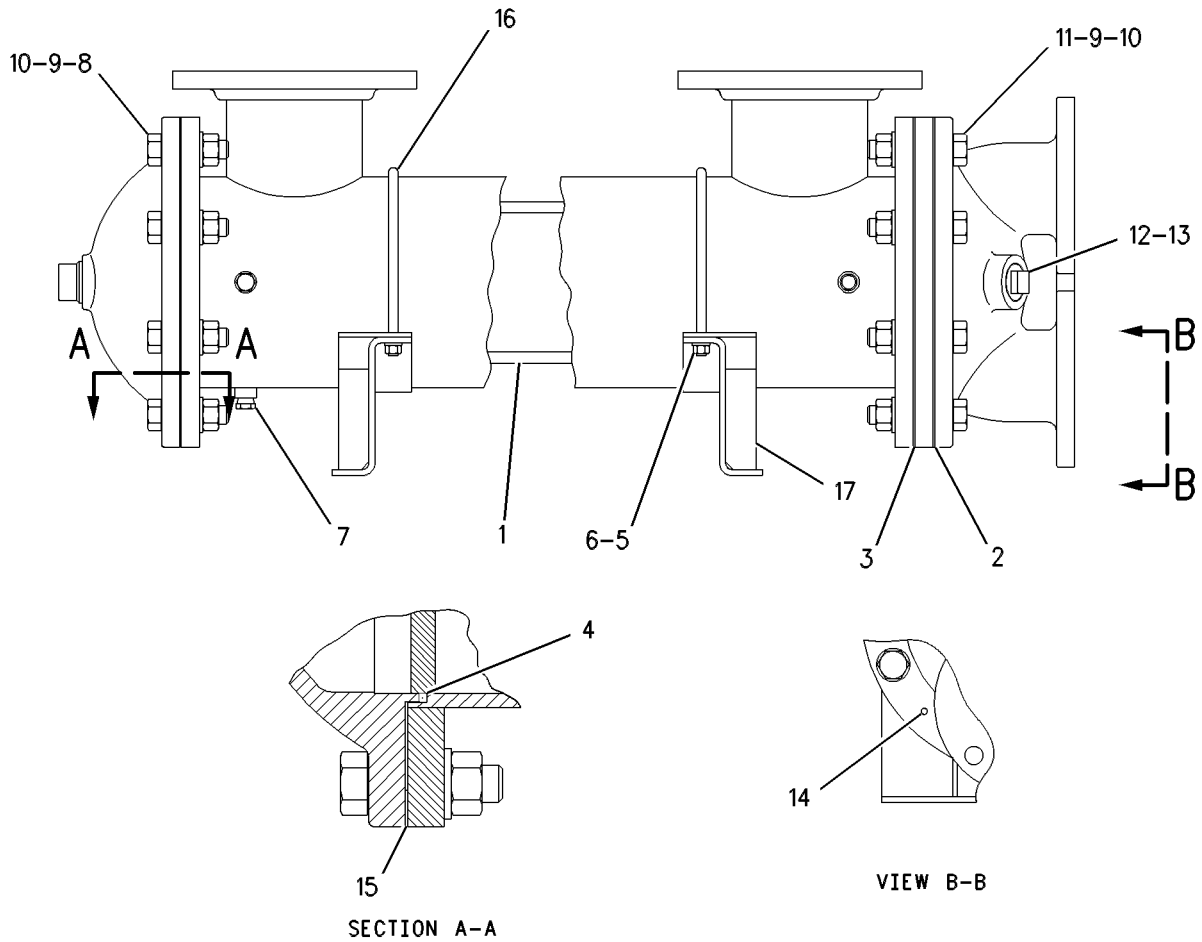
B - USE AS REQUIRED

J - SERVICE ROD & PLUG TOGETHER

# COOLING SYSTEM

134-3533 HEAT EXCHANGER GP-SEA WATER (contd.)

102778856



GRAPHIC #1

<END>

g00399405

# COOLING SYSTEM

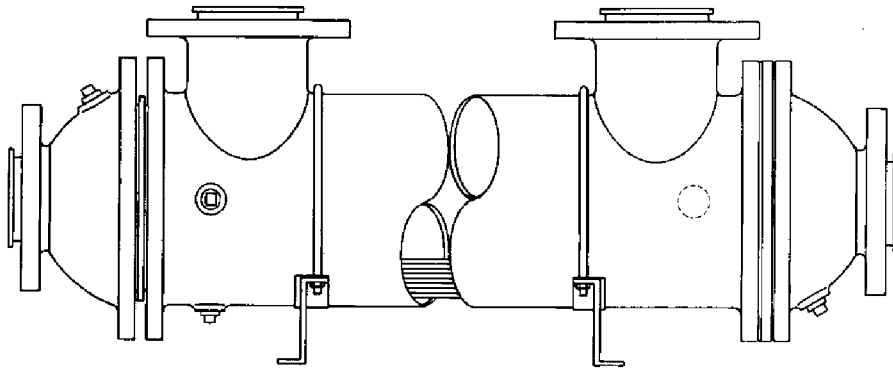
## 134-3734 HEAT EXCHANGER GP-SEA WATER PART OF 4W-4641 HEAT EXCHANGER GP-SEA WATER AN ATTACHMENT

SMCS-1379

i01318876

NOTE	REF NO	GRAPHIC REF	PART NUMBER	QTY	PART NAME						SEE PAGE
					1	2	3	4	5	6 (PRODUCT LEVEL)	

(NO SERVICED PARTS)



GRAPHIC #1

<END>

g00699418

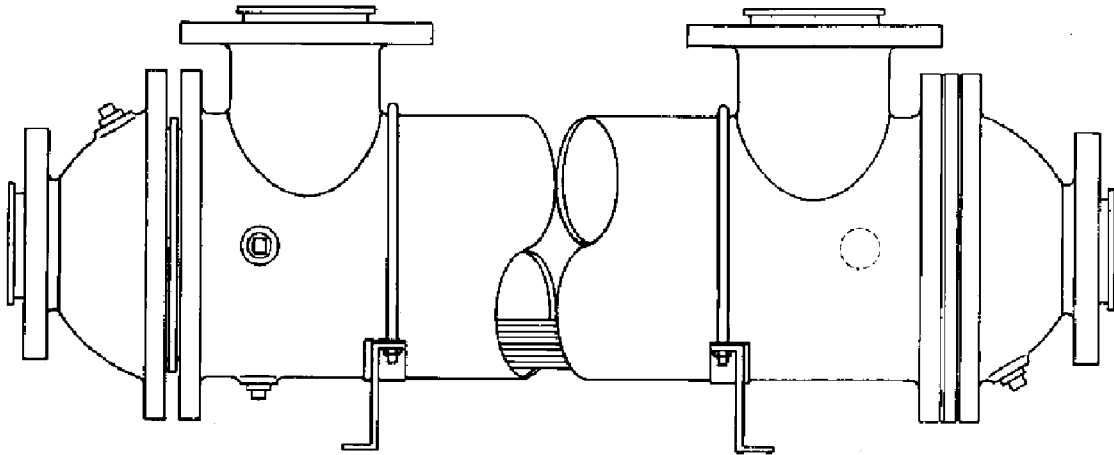
# COOLING SYSTEM

## 134-3735 HEAT EXCHANGER GP-SEA WATER PART OF 4W-4641 HEAT EXCHANGER GP-SEA WATER AN ATTACHMENT

SMCS-1379

i01318883

NOTE	REF NO	GRAPHIC REF	PART NUMBER	QTY	PART NAME	SEE PAGE
					1 2 3 4 5 6 (PRODUCT LEVEL)	
(NO SERVICED PARTS)						



GRAPHIC #1

<END>

g00700957

# COOLING SYSTEM

## 3N-8888 HEAT EXCHANGER GP-SEA WATER

54-SQ FT COOLING AREA

PART OF 3N-8889 HEAT EXCHANGER GP-SEA WATER  
AN ATTACHMENT

**SMCS-1379**

**i06518800**

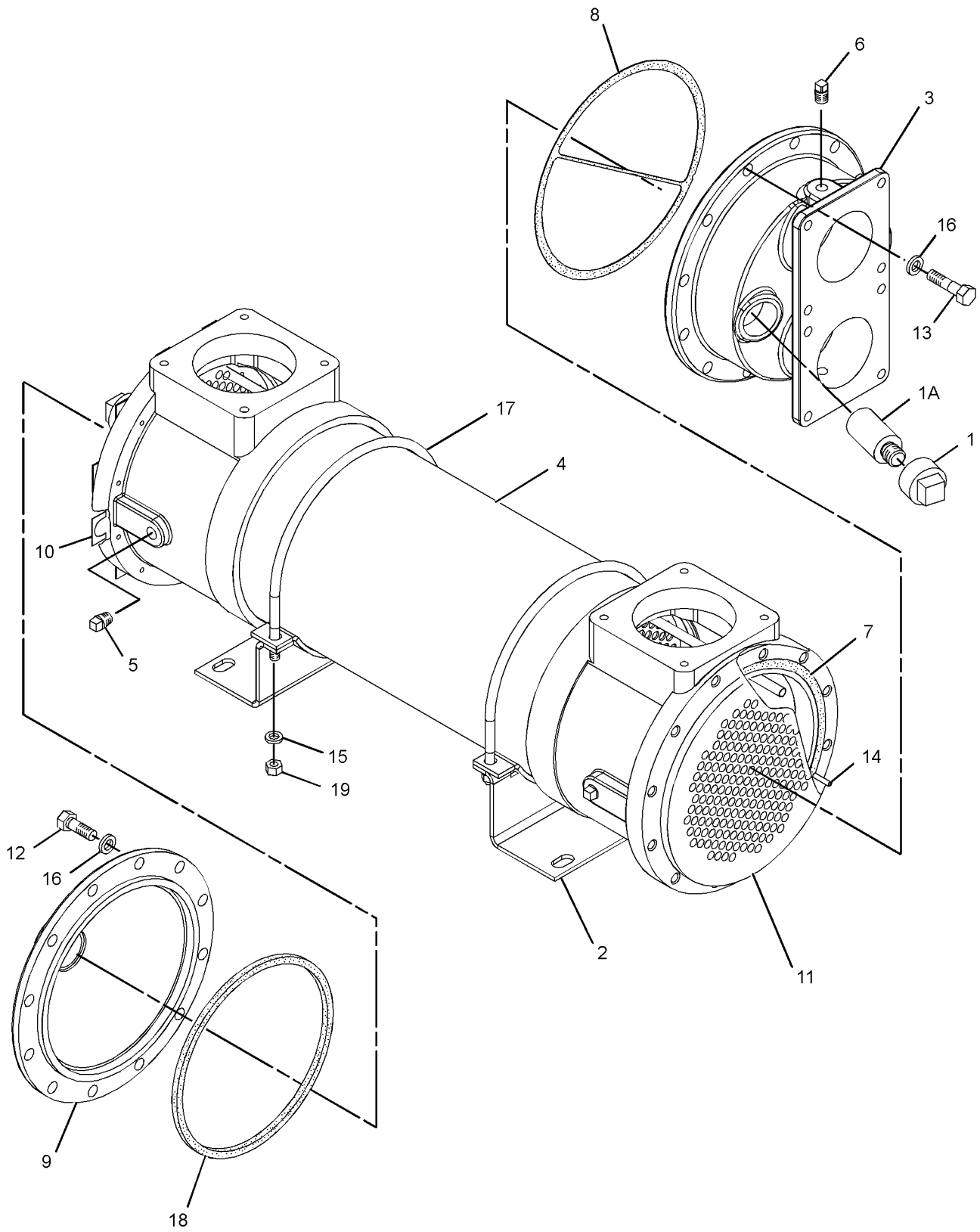
NOTE	REF NO	GRAPHIC REF	PART NUMBER	QTY	PART NAME						SEE PAGE
					1	2	3	4	5	6 (PRODUCT LEVEL)	
	1	1	<b>6L-2286</b>	3	PLUG-PIPE						
	1A	1	<b>6L-2284</b>	3	ROD-ZINC (HEAT EXCHANGER)						
	2	1	<b>2W-4875</b>	2	BRACKET AS						
	3	1	<b>3N-9610</b>	1	BONNET						
	4	1	<b>3N-9626</b>	1	SHELL AS						
	5	1	<b>6L-2279</b>	4	PLUG-PIPE						
	6	1	<b>6L-2282</b>	2	PLUG-PIPE						
	7	1	<b>7L-0487</b>	1	GASKET						
	8	1	<b>8L-4952</b>	1	GASKET						
	9	1	<b>8L-4955</b>	1	BONNET-RETURN						
B	10	1	<b>8L-9767</b>	48	SHIM (0.015-IN THK)						
	11	1	<b>293-0007</b>	1	CORE AS (HEAT EXCHANGER)						
	12	1	<b>0T-0320</b>	12	BOLT (7/16-14X1.25-IN)						
	13	1	<b>0T-0768</b>	12	BOLT (7/16-14X1.75-IN)						
	14	1	<b>1H-1200</b>	1	PIN-SPRING						
	15	1	<b>3B-4506</b>	4	LOCKWASHER						
	16	1	<b>3B-4507</b>	24	LOCKWASHER						
	17	1	<b>3N-9606</b>	2	U-BOLT						
	18	1	<b>7L-0486</b>	1	SEAL-RUBBER						
	19	1	<b>9S-8752</b>	4	NUT-FULL (3/8-16-THD)						

B - USE AS REQUIRED

# COOLING SYSTEM

3N-8888 HEAT EXCHANGER GP-SEA WATER (contd.)

i06518800



GRAPHIC #1

<END>

g01364512



# COOLING SYSTEM

## 3N-8889 HEAT EXCHANGER GP-SEA WATER

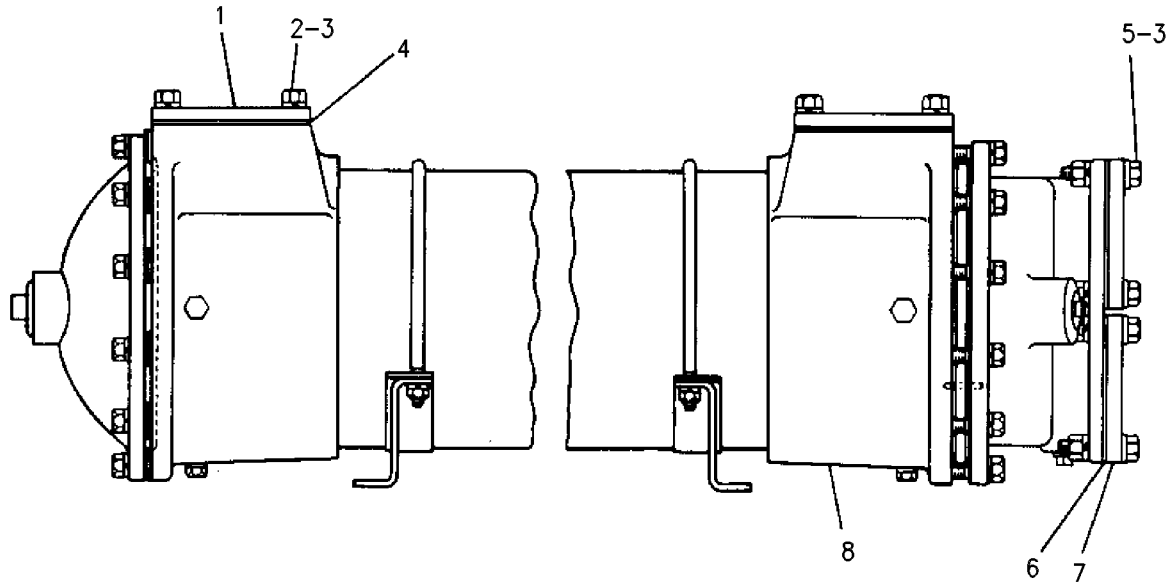
54-SQ FT COOLING AREA  
AN ATTACHMENT

SMCS-1379

i05090118

NOTE	REF NO	GRAPHIC REF	PART NUMBER	QTY	PART NAME						SEE PAGE
					1	2	3	4	5	6 (PRODUCT LEVEL)	
	1	1	<b>4N-9720</b>	2	FLANGE						
	2	1	<b>9B-7237</b>	8	BOLT (3/8-16X1.25-IN)						
	3	1	<b>8T-4896</b>	24	WASHER-HARD (10.2X18.5X2.5-MM THK)						
	4	1	<b>4L-3862</b>	2	GASKET						
	5	1	<b>5S-7383</b>	8	BOLT (3/8-16X1.75-IN)						
		1	<b>6V-8801</b>	8	NUT (3/8-16-THD)						
	6	1	<b>9M-1289</b>	2	GASKET						
	7	1	<b>2N-8263</b>	2	FLANGE						
Y	8	1	<b>3N-8888</b>	1	HEAT EXCHANGER GP-SEA WATER						621

Y - SEPARATE ILLUSTRATION



GRAPHIC #1

<END>

g00619398

# COOLING SYSTEM

## 3N-8890 HEAT EXCHANGER GP-SEA WATER

72-SQ FT COOLING AREA

PART OF 3N-8891 HEAT EXCHANGER GP-SEA WATER  
AN ATTACHMENT

SMCS-1379

i05502152

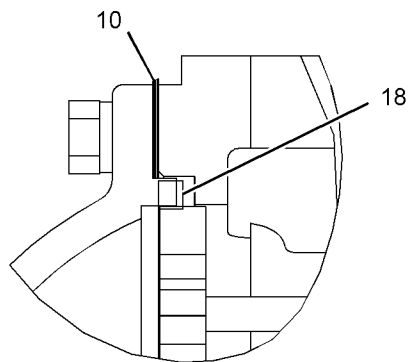
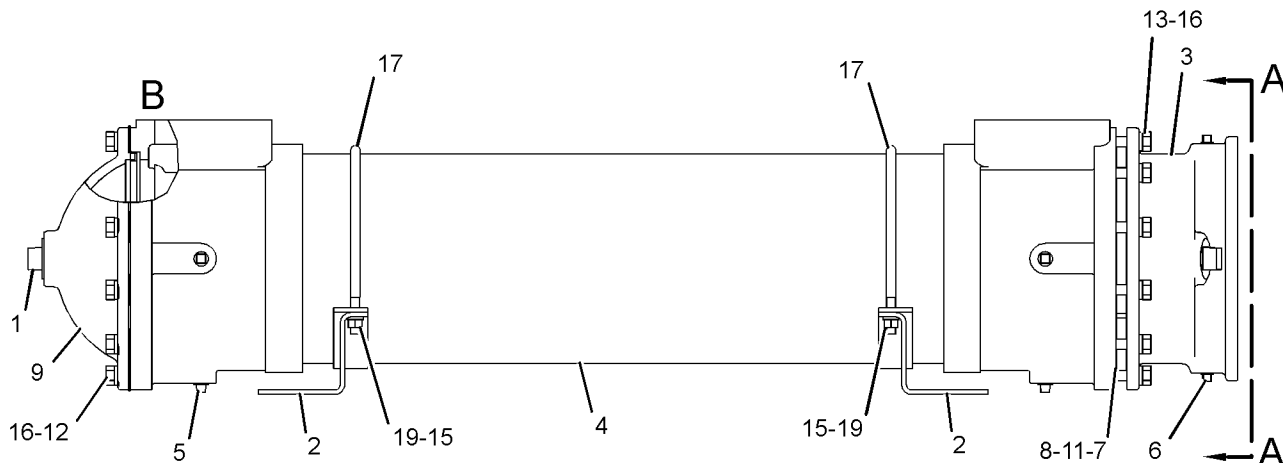
NOTE	REF NO	GRAPHIC REF	PART NUMBER	QTY	PART NAME						SEE PAGE
					1	2	3	4	5	6 (PRODUCT LEVEL)	
	1	1	5L-9128	3	ROD AS-ZINC						
					(EACH INCLUDES)						
		1	6L-2286	1	PLUG-PIPE						
		1	6L-2284	1	ROD-ZINC (HEAT EXCHANGER)						
	2	1	2W-4875	2	BRACKET AS						
	3	1	3N-9610	1	BONNET						
	4	1	3N-9629	1	SHELL AS						
	5	1	6L-2279	4	PLUG-PIPE						
	6	1	6L-2282	2	PLUG-PIPE						
	7	1	7L-0487	1	GASKET						
	8	1	8L-4952	1	GASKET						
	9	1	8L-4955	1	BONNET-RETURN						
B	10	1	8L-9767	48	SHIM (0.015-IN THK)						
	11	1	293-0008	1	CORE AS (HEAT EXCHANGER)						
	12	1	0T-0320	12	BOLT (7/16-14X1.25-IN)						
	13	1	0T-0768	12	BOLT (7/16-14X1.75-IN)						
	14	1	1H-1200	1	PIN-SPRING						
	15	1	3B-4506	4	LOCKWASHER						
	16	1	3B-4507	24	LOCKWASHER						
	17	1	3N-9606	2	U-BOLT						
	18	1	7L-0486	1	SEAL-RUBBER						
	19	1	9S-8752	4	NUT-FULL (3/8-16-THD)						

B - USE AS REQUIRED

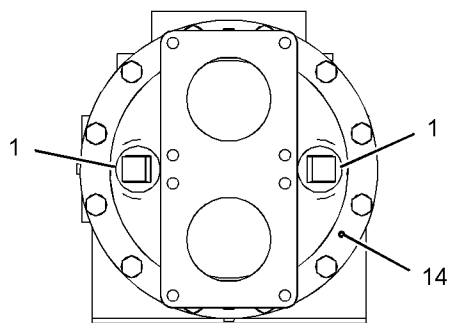
# COOLING SYSTEM

3N-8890 HEAT EXCHANGER GP-SEA WATER (contd.)

i05502152



VIEW OF AREA B



VIEW A-A

GRAPHIC #1

<END>

g01368912

# COOLING SYSTEM

## 3N-8891 HEAT EXCHANGER GP-SEA WATER

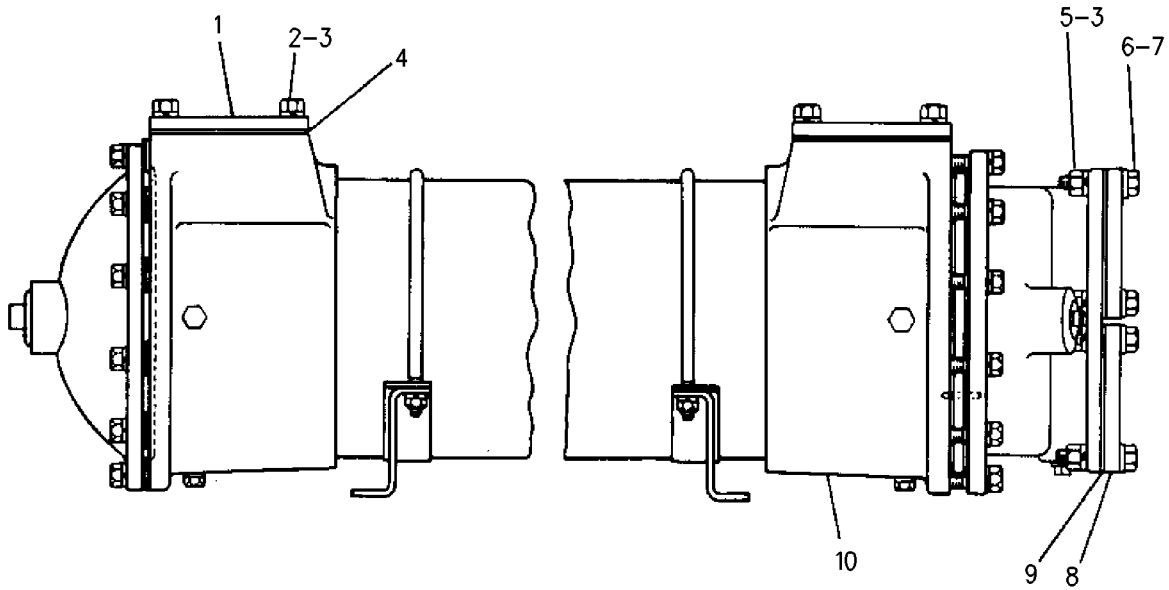
72-SQ FT COOLING AREA  
AN ATTACHMENT

SMCS-1379

i05091050

NOTE	REF NO	GRAPHIC REF	PART NUMBER	QTY	PART NAME						SEE PAGE
					1	2	3	4	5	6 (PRODUCT LEVEL)	
	1	1	<b>4N-9720</b>	2	FLANGE						
	2	1	<b>9B-7237</b>	8	BOLT (3/8-16X1.25-IN)						
	3	1	<b>8T-4896</b>	16	WASHER-HARD (10.2X18.5X2.5-MM THK)						
	4	1	<b>4L-3862</b>	2	GASKET						
	5	1	<b>6V-8801</b>	8	NUT (3/8-16-THD)						
	6	1	<b>5S-7383</b>	8	BOLT (3/8-16X1.75-IN)						
	7	1	<b>8T-4223</b>	16	WASHER-HARD (13.5X25.5X3-MM THK)						
	8	1	<b>2N-8263</b>	2	FLANGE						
	9	1	<b>9M-1289</b>	2	GASKET						
Y	10	1	<b>3N-8890</b>	1	HEAT EXCHANGER GP-SEA WATER						624

Y - SEPARATE ILLUSTRATION



GRAPHIC #1

<END>

g00714310

# COOLING SYSTEM

## 3N-8892 HEAT EXCHANGER GP-SEA WATER

90-SQ FT COOLING AREA

PART OF 3N-8893 HEAT EXCHANGER GP-SEA WATER  
AN ATTACHMENT

**SMCS-1379**

**i06980330**

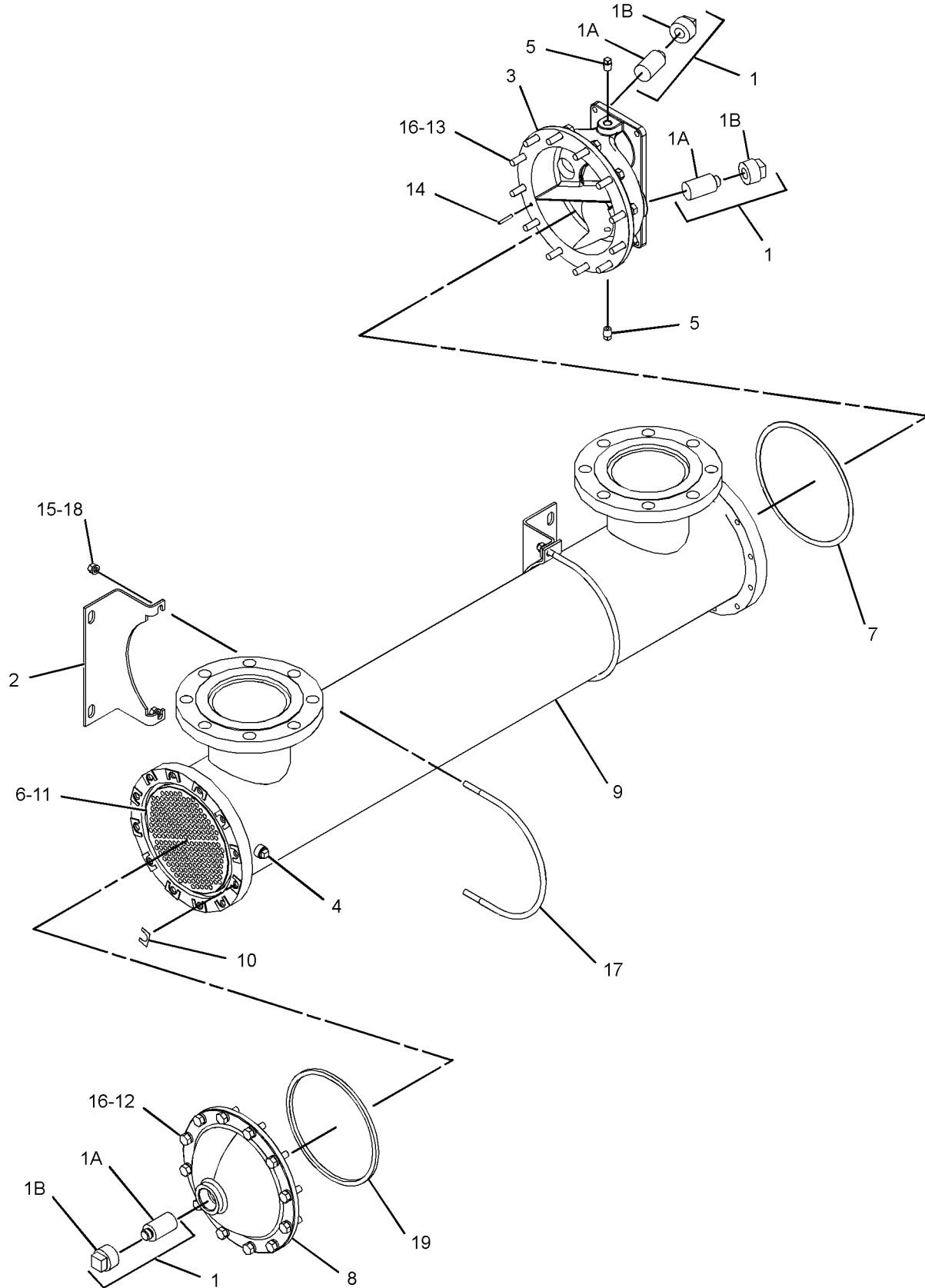
NOTE	REF NO	GRAPHIC REF	PART NUMBER	QTY	PART NAME						SEE PAGE
					1	2	3	4	5	6 (PRODUCT LEVEL)	
	1	1	5L-9128	3	ROD AS-ZINC						
					(EACH INCLUDES)						
	1A	1	6L-2284	1	ROD-ZINC (HEAT EXCHANGER)						
	1B	1	6L-2286	1	PLUG-PIPE						
	2	1	2W-4875	2	BRACKET AS						
	3	1	3N-9610	1	BONNET						
	4	1	6L-2279	3	PLUG-PIPE						
	5	1	6L-2282	2	PLUG-PIPE						
	6	1	7L-0487	1	GASKET						
	7	1	8L-4952	1	GASKET						
	8	1	8L-4955	1	BONNET-RETURN						
	9	1	8L-5066	1	SHELL AS						
B	10	1	8L-9767	48	SHIM (0.015-IN THK)						
	11	1	293-0009	1	CORE AS (HEAT EXCHANGER)						
	12	1	0T-0320	12	BOLT (7/16-14X1.25-IN)						
	13	1	0T-0768	12	BOLT (7/16-14X1.75-IN)						
	14	1	1H-1200	1	PIN-SPRING						
	15	1	3B-4506	4	LOCKWASHER						
	16	1	3B-4507	24	LOCKWASHER						
	17	1	3N-9606	2	U-BOLT						
	18	1	6V-8801	4	NUT (3/8-16-THD)						
	19	1	7L-0486	1	SEAL-RUBBER						

B - USE AS REQUIRED

# COOLING SYSTEM

3N-8892 HEAT EXCHANGER GP-SEA WATER (contd.)

i06980330



GRAPHIC #1

<END>

g03283337

# COOLING SYSTEM

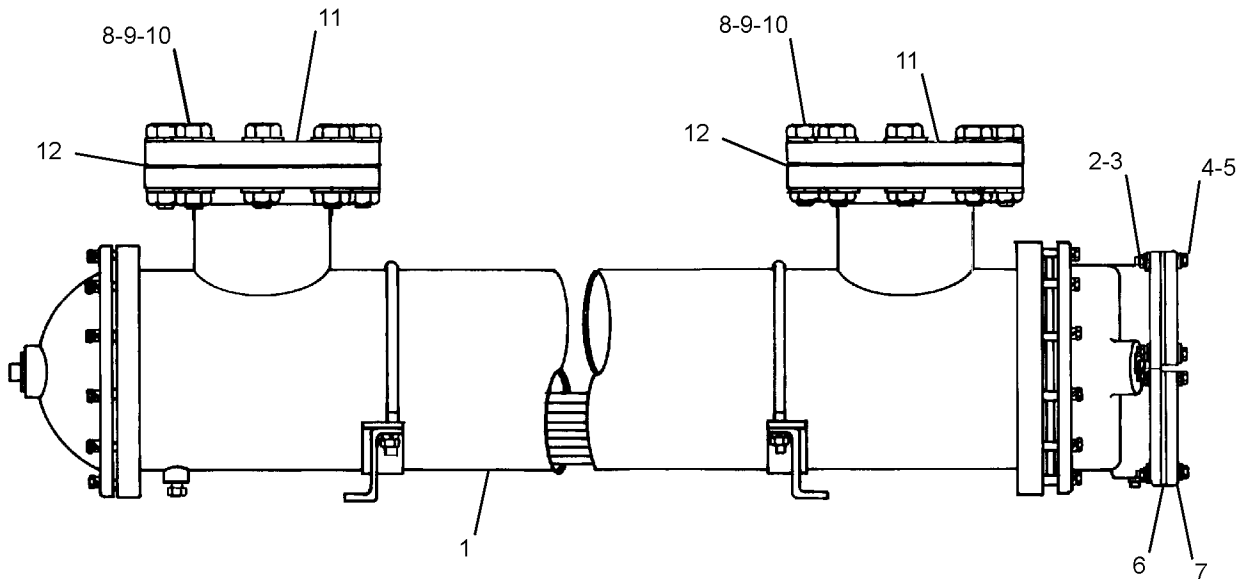
## 3N-8893 HEAT EXCHANGER GP-SEA WATER 90-SQ FT COOLING AREA AN ATTACHMENT

SMCS-1379

i05091291

NOTE	REF NO	GRAPHIC REF	PART NUMBER	QTY	PART NAME						SEE PAGE
					1	2	3	4	5	6 (PRODUCT LEVEL)	
Y	1	1	<b>3N-8892</b>	1	HEAT EXCHANGER GP-SEA WATER						627
	2	1	<b>9S-8752</b>	8	NUT-FULL (3/8-16-THD)						
	3	1	<b>5M-2894</b>	8	WASHER-HARD (10.2X18.5X2.5-MM THK)						
	4	1	<b>0S-1571</b>	8	BOLT (3/8-16X1.75-IN)						
	5	1	<b>4B-4278</b>	16	WASHER (10.2X20.5X1.6-MM THK)						
	6	1	<b>9M-1289</b>	2	GASKET						
	7	1	<b>2N-8263</b>	2	FLANGE						
	8	1	<b>1A-8063</b>	16	BOLT (3/4-10X2.5-IN)						
	9	1	<b>5P-8248</b>	32	WASHER-HARD (20X36.5X3.5-MM THK)						
	10	1	<b>2J-3506</b>	16	NUT-FULL (3/4-10-THD)						
	11	1	<b>101-8679</b>	2	FLANGE						
	12	1	<b>8F-2347</b>	2	GASKET						

Y - SEPARATE ILLUSTRATION



GRAPHIC #1

<END>

g02025617

# COOLING SYSTEM

## 4W-4631 HEAT EXCHANGER GP-SEA WATER

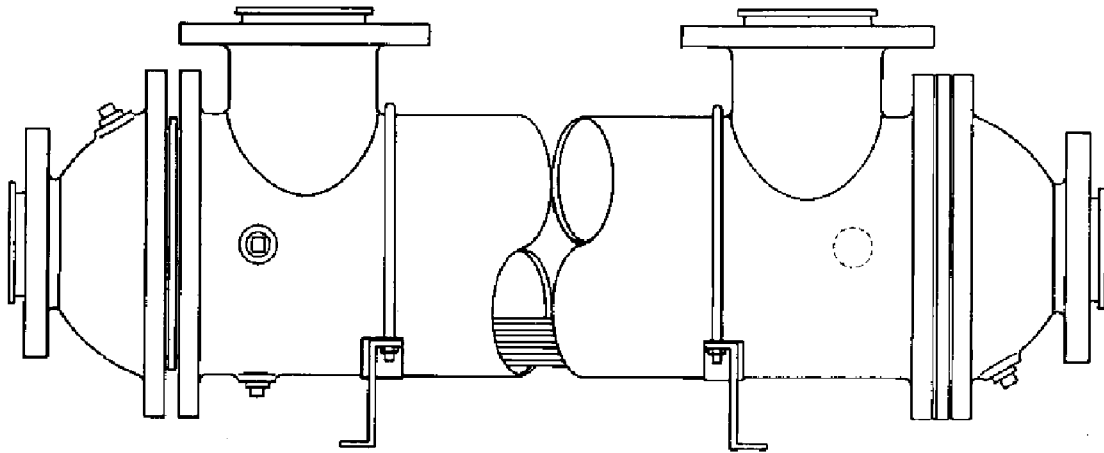
762 MM SINGLE PASS

AN ATTACHMENT

SMCS-1379

i01333556

NOTE	REF NO	GRAPHIC REF	PART NUMBER	QTY	PART NAME						SEE PAGE
					1	2	3	4	5	6 (PRODUCT LEVEL)	
(NO SERVICED PARTS)											



GRAPHIC #1

<END>

g00705279



# COOLING SYSTEM

## 4W-4632 HEAT EXCHANGER GP-SEA WATER

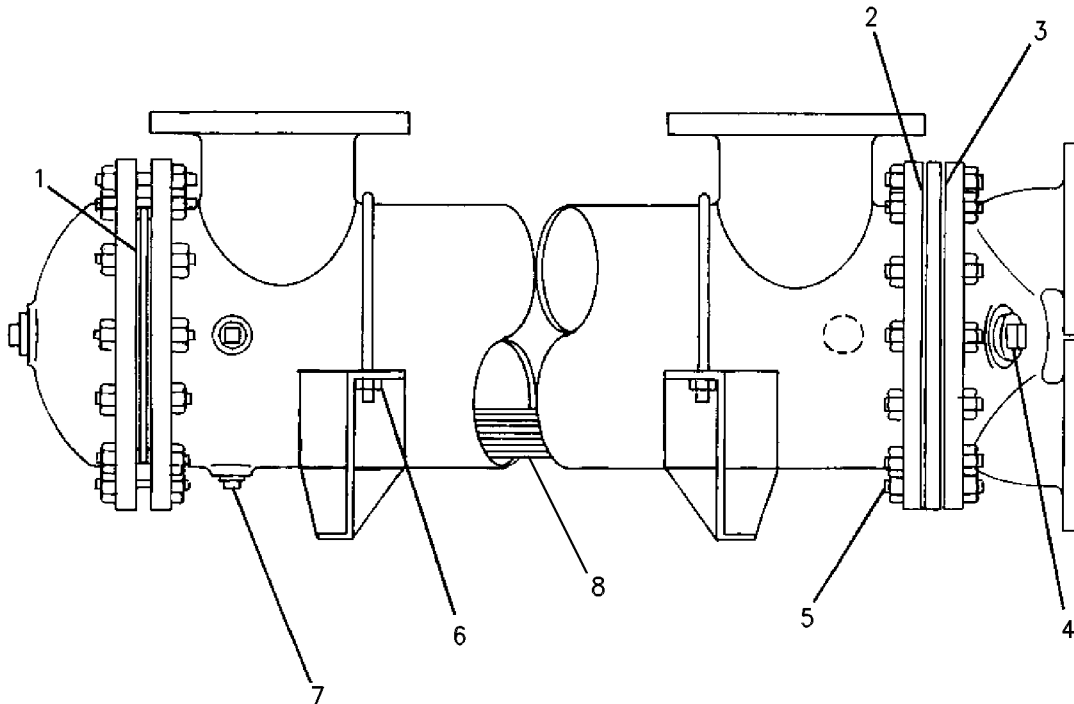
762-MM DOUBLE PASS

PART OF 107-1729 HEAT EXCHANGER GP-SEA WATER  
AN ATTACHMENT

SMCS-1379

i02309300

NOTE	REF NO	GRAPHIC REF	PART NUMBER	QTY	PART NAME						SEE PAGE
					1	2	3	4	5	6	
	1	1	<b>8T-6690</b>	2	SEAL-O-RING						
	2	1	<b>7W-8401</b>	1	GASKET						
	3	1	<b>7W-8402</b>	1	GASKET						
	4	1	<b>6L-2286</b>	3	PLUG-PIPE						
		1	<b>6L-2284</b>	3	ROD-ZINC (HEAT EXCHANGER)						
	5	1	<b>9S-1398</b>	24	STUD						
		1	<b>4K-0367</b>	48	NUT-FULL (5/8-11-THD)						
	6	1	<b>9S-8752</b>	4	NUT-FULL (3/8-16-THD)						
		1	<b>5P-1075</b>	4	WASHER-HARD (10.2X22.5X3-MM THK)						
	7	1	<b>6L-1595</b>	3	PLUG-PIPE						
	8	1	<b>4R-9437</b>	1	BUNDLE-EXCHANGER TUBE						



GRAPHIC #1

<END>

g00620516

# COOLING SYSTEM

## 4W-4632 HEAT EXCHANGER GP-SEA WATER

762-MM DOUBLE PASS

PART OF 107-1729 HEAT EXCHANGER GP-SEA WATER  
AN ATTACHMENT

SMCS-1379

i05585889

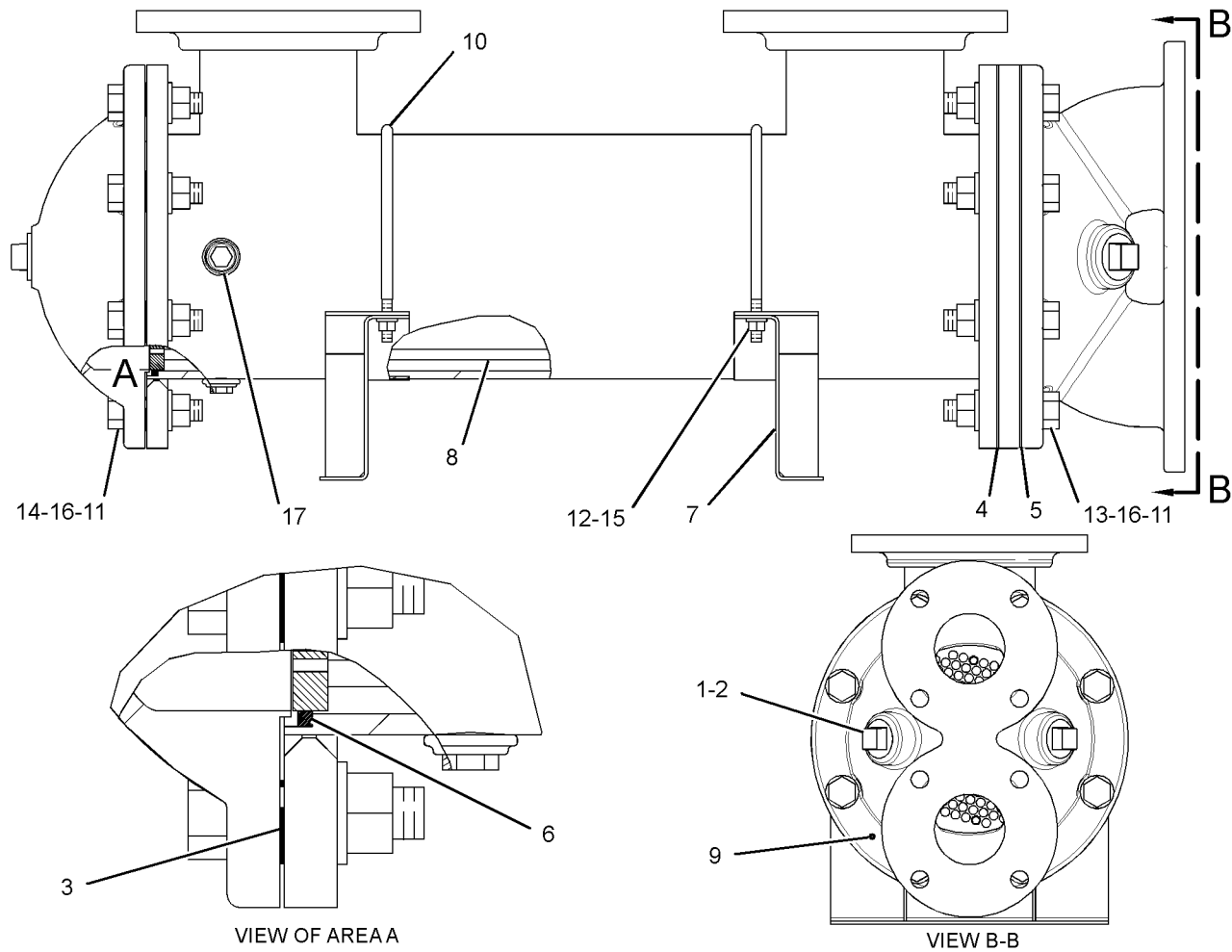
NOTE	REF NO	GRAPHIC REF	PART NUMBER	QTY	PART NAME						SEE PAGE
					1	2	3	4	5	6 (PRODUCT LEVEL)	
	1	1	<b>6L-2284</b>	3	ROD-ZINC (HEAT EXCHANGER)						
	2	1	<b>6L-2286</b>	3	PLUG-PIPE						
B	3	1	<b>8L-9767</b>	32	SHIM (0.015-IN THK)						
	4	1	<b>155-2590</b>	1	GASKET						
	5	1	<b>155-2591</b>	1	GASKET						
	6	1	<b>155-2592</b>	1	SEAL						
	7	1	<b>155-2596</b>	2	BRACKET AS						
	8	1	<b>290-8205</b>	1	CORE AS (HEAT EXCHANGER)						
	9	1	<b>1H-1200</b>	1	PIN-SPRING						
	10	1	<b>3N-9606</b>	2	U-BOLT						
	11	1	<b>6V-8182</b>	16	NUT (3/4-10-THD)						
	12	1	<b>6V-8801</b>	4	NUT (3/8-16-THD)						
	13	1	<b>7X-0370</b>	8	BOLT (3/4-10X3.5-IN)						
	14	1	<b>8C-6857</b>	8	BOLT (3/4-10X2.75-IN)						
	15	1	<b>8T-4896</b>	4	WASHER-HARD (10.2X18.5X2.5-MM THK)						
	16	1	<b>8T-4994</b>	16	WASHER-HARD (20X36.5X3.5-MM THK)						
	17	1	<b>9B-0887</b>	3	PLUG-PIPE						

B - USE AS REQUIRED

# COOLING SYSTEM

4W-4632 HEAT EXCHANGER GP-SEA WATER (contd.)

105585889



GRAPHIC #1

<END>

g01945793

# COOLING SYSTEM

## **4W-4641 HEAT EXCHANGER GP-SEA WATER** 1016MM (40IN) SINGLE PASS AN ATTACHMENT

**SMCS-1379**

**i01420718**

NOTE	PART NUMBER	QTY	PART NAME						SEE PAGE
			1	2	3	4	5	6 (PRODUCT LEVEL)	
Y	134-3734	1	HEAT EXCHANGER GP-SEA WATER						619
			-OR-						
Y	134-3735	1	HEAT EXCHANGER GP-SEA WATER						620
Y - SEPARATE ILLUSTRATION									

<END>

# COOLING SYSTEM

## 4W-4642 HEAT EXCHANGER GP-SEA WATER

1016-MM DOUBLE PASS

PART OF 107-1728 HEAT EXCHANGER GP-SEA WATER

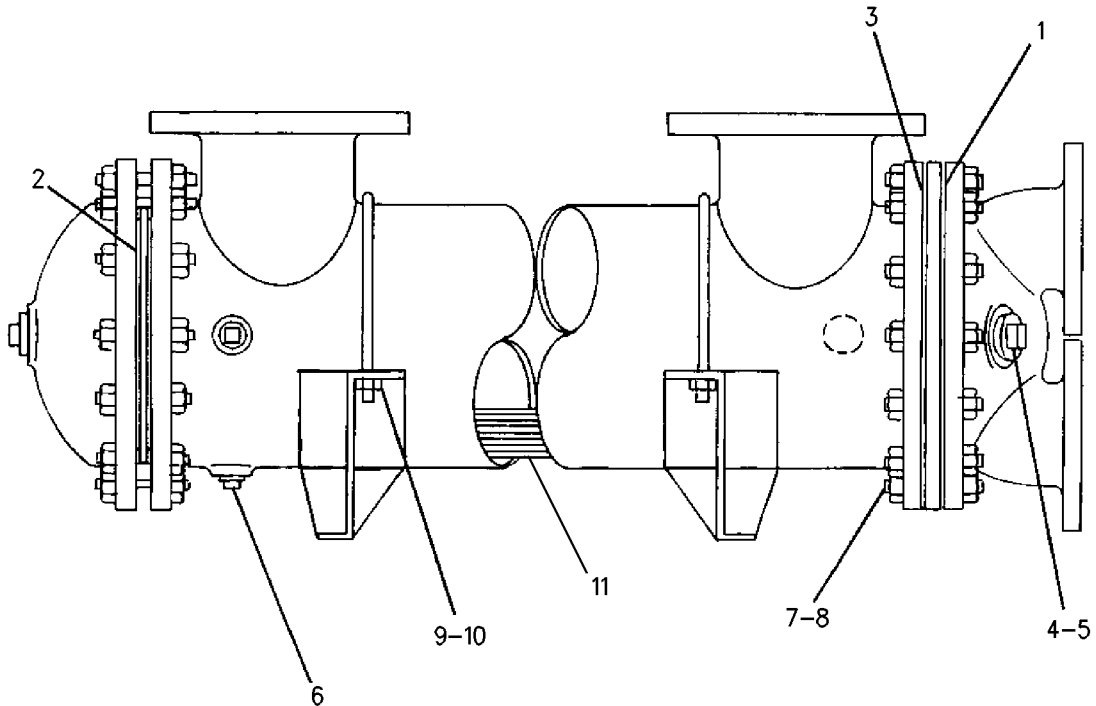
AN ATTACHMENT

TYPE 1

SMCS-1379

i04380495

NOTE	REF NO	GRAPHIC REF	PART NUMBER	QTY	PART NAME						SEE PAGE
					1	2	3	4	5	6 (PRODUCT LEVEL)	
	1	1	<b>7W-8402</b>	1	GASKET						
	2	1	<b>8T-6690</b>	2	SEAL-O-RING						
	3	1	<b>7W-8401</b>	1	GASKET						
	4	1	<b>6L-2284</b>	3	ROD-ZINC (HEAT EXCHANGER)						
	5	1	<b>6L-2286</b>	3	PLUG-PIPE						
	6	1	<b>6L-1595</b>	3	PLUG-PIPE						
	7	1	<b>9S-1398</b>	24	STUD						
	8	1	<b>4K-0367</b>	48	NUT-FULL (5/8-11-THD)						
	9	1	<b>5P-1075</b>	4	WASHER-HARD (10.2X22.5X3-MM THK)						
	10	1	<b>9S-8752</b>	4	NUT-FULL (3/8-16-THD)						
	11	1	<b>109-5917</b>	1	CORE AS (HEAT EXCHANGER)						



GRAPHIC #1

<END>

g00648481

# COOLING SYSTEM

## 4W-4642 HEAT EXCHANGER GP-SEA WATER

1016-MM DOUBLE PASS

PART OF 107-1728 HEAT EXCHANGER GP-SEA WATER

AN ATTACHMENT

TYPE 2

**SMCS-1379**

**i02866454**

NOTE	REF NO	GRAPHIC REF	PART NUMBER	QTY	PART NAME						SEE PAGE
					1	2	3	4	5	6 (PRODUCT LEVEL)	
J	1	1	<b>6L-2284</b>	3	ROD-ZINC (HEAT EXCHANGER)						
J	2	1	<b>6L-2286</b>	3	PLUG-PIPE						
B	3	1	<b>8L-9767</b>	32	SHIM (0.015-IN THK)						
	4	1	<b>155-2590</b>	1	GASKET						
	5	1	<b>155-2591</b>	1	GASKET						
	6	1	<b>155-2592</b>	1	SEAL						
	7	1	<b>155-2596</b>	2	BRACKET AS						
	8	1	<b>290-8204</b>	1	CORE AS (HEAT EXCHANGER)						
	9	1	<b>1H-1200</b>	1	PIN-SPRING						
	10	1	<b>3N-9606</b>	2	U-BOLT						
	11	1	<b>6V-8182</b>	16	NUT (3/4-10-THD)						
	12	1	<b>6V-8801</b>	4	NUT (3/8-16-THD)						
	13	1	<b>7X-0370</b>	8	BOLT (3/4-10X3.5-IN)						
	14	1	<b>8C-6857</b>	8	BOLT (3/4-10X2.75-IN)						
	15	1	<b>8T-4896</b>	4	WASHER-HARD (10.2X18.5X2.5-MM THK)						
	16	1	<b>8T-4994</b>	16	WASHER-HARD (20X36.5X3.5-MM THK)						
	17	1	<b>9B-0887</b>	4	PLUG-PIPE						

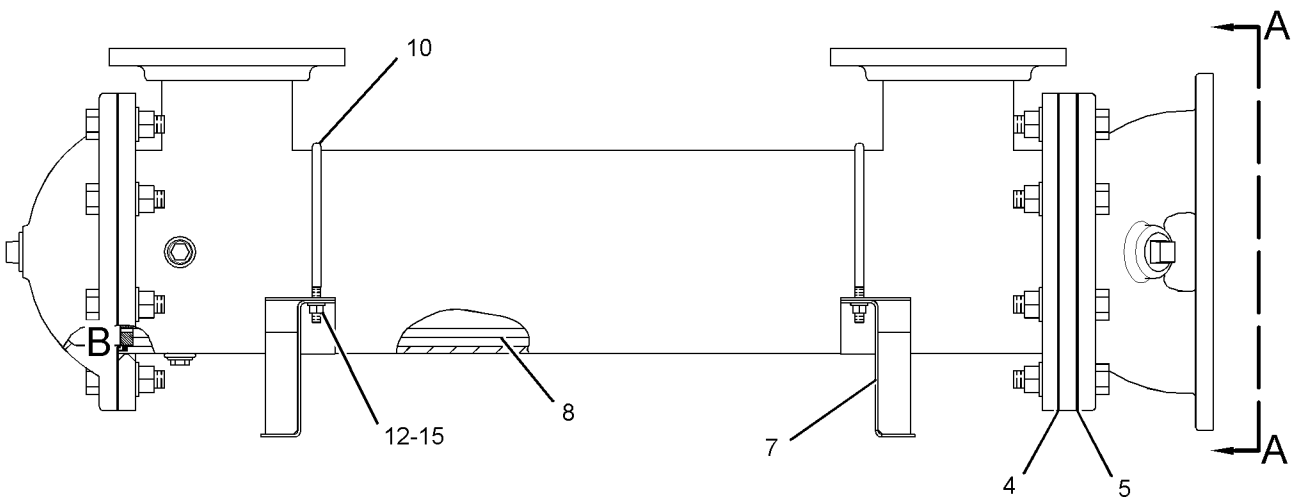
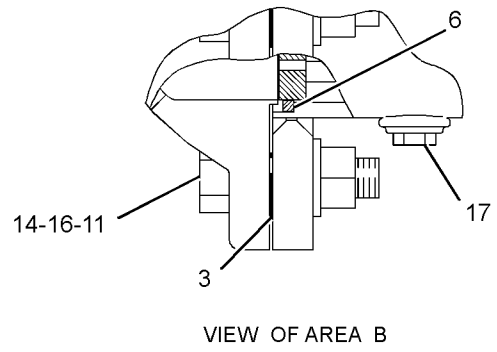
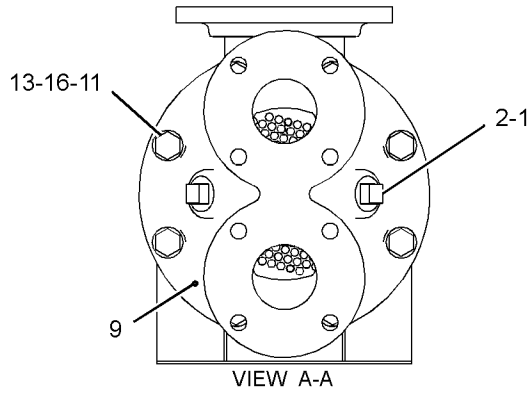
B - USE AS REQUIRED

J - ROD AND PLUG MUST BE SERVICED TOGETHER

# COOLING SYSTEM

4W-4642 HEAT EXCHANGER GP-SEA WATER (contd.)

102866454



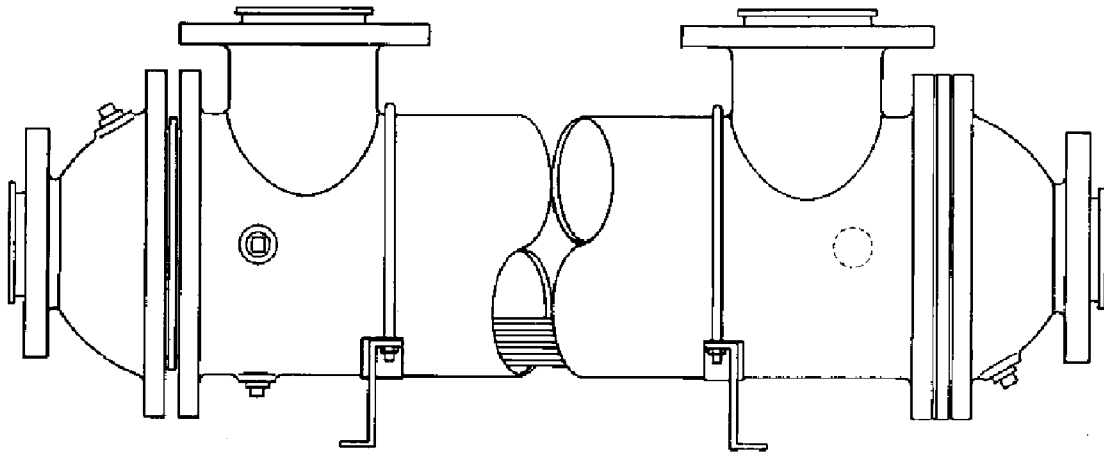
# COOLING SYSTEM

## 4W-4651 HEAT EXCHANGER GP-SEA WATER 1270MM (50IN) SINGLE PASS AN ATTACHMENT

SMCS-1379

i01333560

NOTE	REF NO	GRAPHIC REF	PART NUMBER	QTY	PART NAME						SEE PAGE
					1	2	3	4	5	6 (PRODUCT LEVEL)	
(NO SERVICED PARTS)											



GRAPHIC #1

<END>

g00705341



# COOLING SYSTEM

## 4W-4652 HEAT EXCHANGER GP-SEA WATER

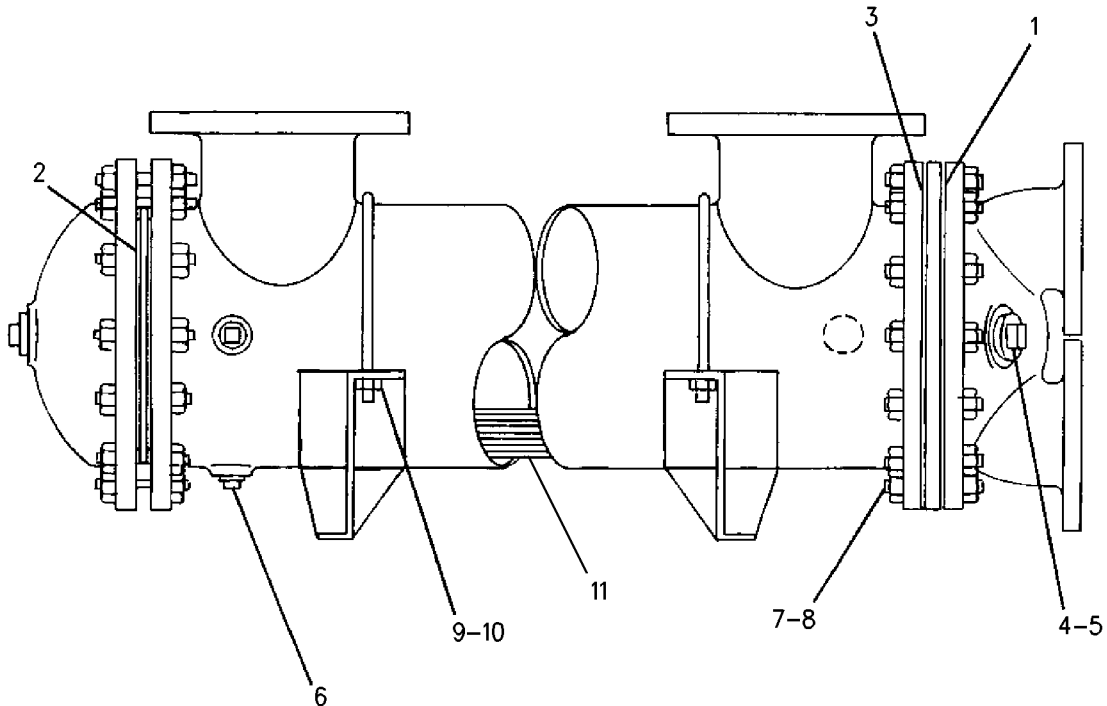
1270-MM DOUBLE PASS

FIELD REPLACEMENT FOR 134-3530-PAGE: 616  
PART OF 107-1730 HEAT EXCHANGER GP-SEA WATER  
AN ATTACHMENT

SMCS-1379

i02732010

NOTE	REF NO	GRAPHIC REF	PART NUMBER	QTY	PART NAME						SEE PAGE
					1	2	3	4	5	6 (PRODUCT LEVEL)	
	1	1	<b>7W-8402</b>	1	GASKET						
	2	1	<b>8T-6690</b>	2	SEAL-O-RING						
	3	1	<b>7W-8401</b>	1	GASKET						
	4	1	<b>6L-2284</b>	3	ROD-ZINC (HEAT EXCHANGER)						
	5	1	<b>6L-2286</b>	3	PLUG-PIPE						
	6	1	<b>6L-1595</b>	3	PLUG-PIPE						
	7	1	<b>9S-1398</b>	24	STUD						
	8	1	<b>4K-0367</b>	48	NUT-FULL (5/8-11-THD)						
	9	1	<b>5P-1075</b>	4	WASHER-HARD (10.2X22.5X3-MM THK)						
	10	1	<b>9S-8752</b>	4	NUT-FULL (3/8-16-THD)						
	11	1	<b>109-5916</b>	1	CORE AS (HEAT EXCHANGER)						



GRAPHIC #1

<END>

g00924006

# COOLING SYSTEM

## 4W-4652 HEAT EXCHANGER GP-SEA WATER

1270-MM DOUBLE PASS

FIELD REPLACEMENT FOR 134-3530—PAGE: 616  
PART OF 107-1730 HEAT EXCHANGER GP-SEA WATER  
AN ATTACHMENT  
TYPE 1

SMCS-1379

i01318872

NOTE	PART NUMBER	QTY	PART NAME						SEE PAGE
			1	2	3	4	5	6 (PRODUCT LEVEL)	
Y	134-3530	1	HEAT EXCHANGER GP-SEA WATER						616
			-OR-						
Y	134-3533	1	HEAT EXCHANGER GP-SEA WATER						617
Y - SEPARATE ILLUSTRATION									
<END>									

# COOLING SYSTEM

## 4W-4652 HEAT EXCHANGER GP-SEA WATER

1270-MM DOUBLE PASS

FIELD REPLACEMENT FOR 134-3530-PAGE: 616  
PART OF 107-1730 HEAT EXCHANGER GP-SEA WATER  
AN ATTACHMENT  
TYPE 2

SMCS-1379

i03523242

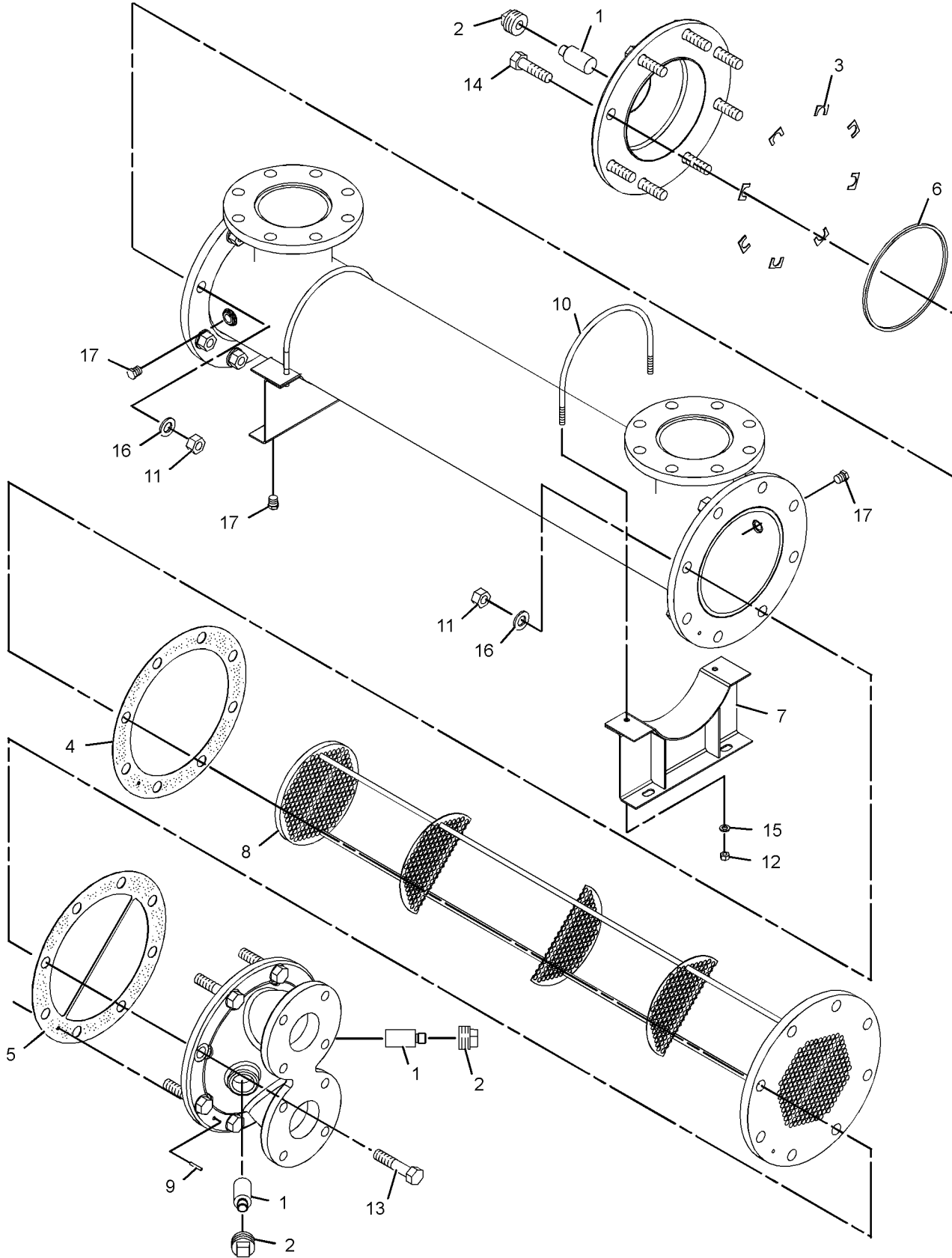
NOTE	REF NO	GRAPHIC REF	PART NUMBER	QTY	PART NAME						SEE PAGE
					1	2	3	4	5	6 (PRODUCT LEVEL)	
J	1	1	<b>6L-2284</b>	3	ROD-ZINC (HEAT EXCHANGER)						
J	2	1	<b>6L-2286</b>	3	PLUG-PIPE						
B	3	1	<b>8L-9767</b>	32	SHIM (0.015-IN THK)						
C	4	1	<b>155-2590</b>	1	GASKET						
C	5	1	<b>155-2591</b>	1	GASKET						
C	6	1	<b>155-2592</b>	1	SEAL						
C	7	1	<b>155-2596</b>	2	BRACKET AS						
C	8	1	<b>290-8203</b>	1	CORE AS (HEAT EXCHANGER)						
C	9	1	<b>1H-1200</b>	1	PIN-SPRING						
C	10	1	<b>3N-9606</b>	2	U-BOLT						
C	11	1	<b>6V-8182</b>	16	NUT (3/4-10-THD)						
C	12	1	<b>6V-8801</b>	4	NUT (3/8-16-THD)						
C	13	1	<b>7X-0370</b>	8	BOLT (3/4-10X3.5-IN)						
C	14	1	<b>8C-6857</b>	8	BOLT (3/4-10X2.75-IN)						
C	15	1	<b>8T-4896</b>	4	WASHER-HARD (10.2X18.5X2.5-MM THK)						
C	16	1	<b>8T-4994</b>	16	WASHER-HARD (20X36.5X3.5-MM THK)						
	17	1	<b>9B-0887</b>	3	PLUG-PIPE						

B - USE AS REQUIRED  
C - CHANGE FROM PREVIOUS TYPE  
J - ROD AND PLUG MUST BE SERVICED TOGETHER

# COOLING SYSTEM

4W-4652 HEAT EXCHANGER GP-SEA WATER (contd.)

i03523242



GRAPHIC #1

<END>

g01365885

# COOLING SYSTEM

## 216-6217 HOUSING & REGULATOR GP-AFTERCOOLER

S/N: 50Y647-1304

PART OF 10R-9762 KIT-CONVERSION, 350-2143 KIT-ENGINE CONVERSION, 120-7422 LINES GP-WATER

SMCS-1355, 1393

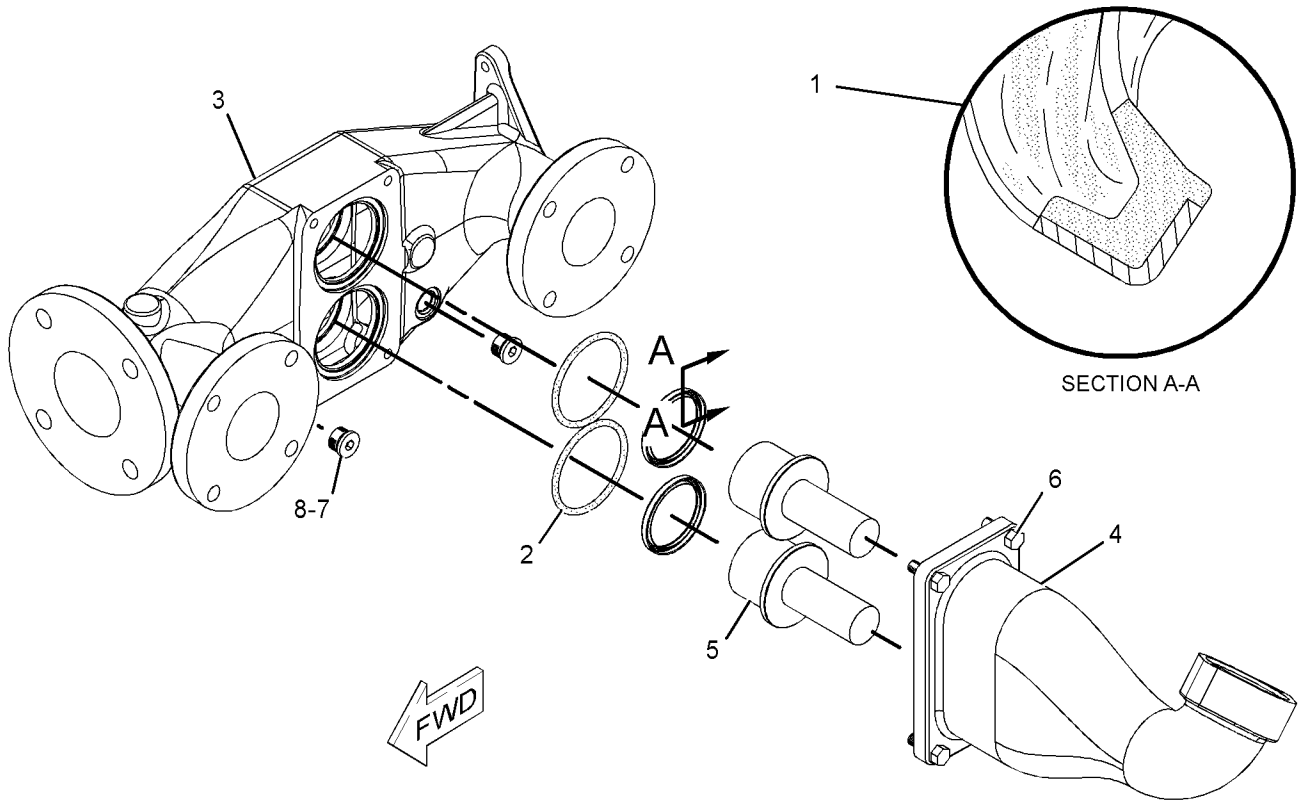
i06201147

NOTE	REF NO	GRAPHIC REF	PART NUMBER	QTY	PART NAME	SEE PAGE
					1 2 3 4 5 6 (PRODUCT LEVEL)	
	1	1	<b>3S-9643</b>	2	SEAL-LIP TYPE (WATER TEMPERATURE REGULATOR)	
	2	1	<b>6V-1454</b>	2	SEAL-O-RING	
	3	1	<b>214-0728</b>	1	HOUSING	
	4	1	<b>214-0729</b>	1	ADAPTER	
	5	1	<b>219-3240</b>	2	REGULATOR-TEMPERATURE (30-DEG C) (WATER)	
	6	1	<b>1A-2029</b>	4	BOLT (3/8-16X1.125-IN)	
	7	1	<b>3K-0360</b>	2	SEAL-O-RING	
	8	1	<b>9S-8005</b>	2	PLUG (3/4-16-THD)	

# COOLING SYSTEM

216-6217 HOUSING & REGULATOR GP (contd.)

i06201147



GRAPHIC #1

<END>

g03836156

# COOLING SYSTEM

## 282-8537 HOUSING & REGULATOR GP

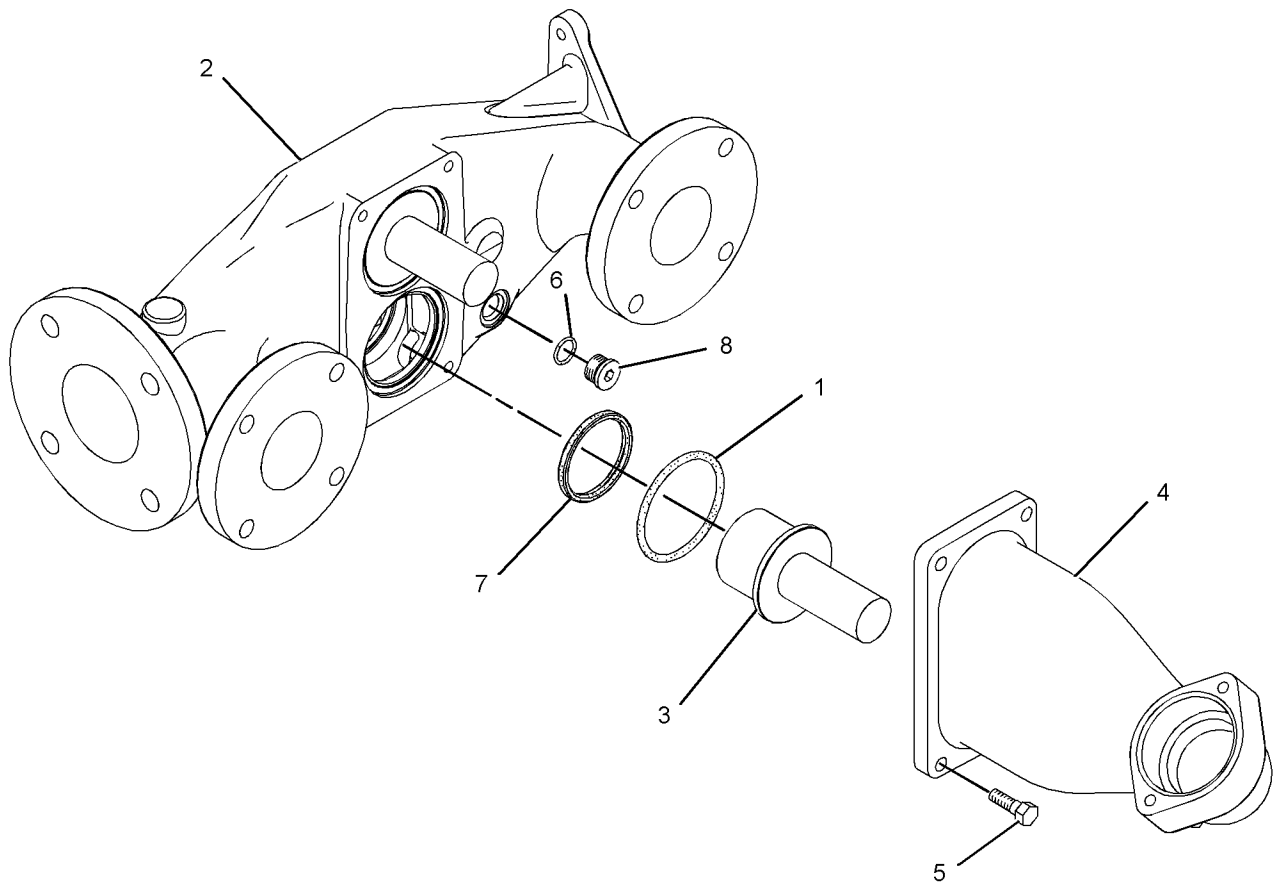
S/N: 50Y647-1304

PART OF 289-2090 LINES GP-WATER

SMCS-1355, 1393

i05499172

NOTE	REF NO	GRAPHIC REF	PART NUMBER	QTY	PART NAME						SEE PAGE
					1	2	3	4	5	6 (PRODUCT LEVEL)	
	1	1	<b>6V-1454</b>	2	SEAL-O-RING						
	2	1	<b>214-0728</b>	1	HOUSING						
	3	1	<b>219-3240</b>	2	REGULATOR-TEMPERATURE (30-DEG C) (WATER)						
	4	1	<b>264-3073</b>	1	ADAPTER						
	5	1	<b>1A-2029</b>	4	BOLT (3/8-16X1.125-IN)						
	6	1	<b>3K-0360</b>	2	SEAL-O-RING						
	7	1	<b>3S-9643</b>	2	SEAL-LIP TYPE (WATER TEMPERATURE REGULATOR)						
	8	1	<b>9S-8005</b>	2	PLUG (3/4-16-THD)						



GRAPHIC #1

<END>

g01211920

# COOLING SYSTEM

## 7W-1458 HOUSING & REGULATOR GP

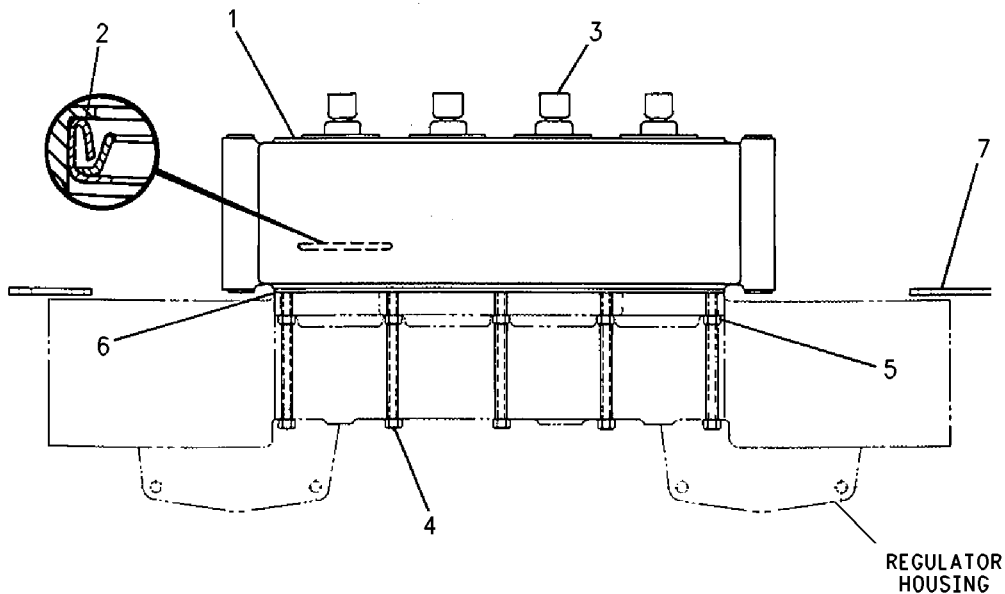
INLET CONTROL-RESIDUAL FUEL

FOR USAGE REFER TO CHART 7W-1450-PAGE: 2099  
AN ATTACHMENT

SMCS-1355, 1393

i01338088

NOTE	REF NO	GRAPHIC REF	PART NUMBER	QTY	PART NAME						SEE PAGE
					1	2	3	4	5	6 (PRODUCT LEVEL)	
	1	1	<b>7W-3414</b>	1	HOUSING AS-REGULATOR						
	2	1	<b>3S-9643</b>	4	SEAL-LIP TYPE						
	3	1	<b>4W-4842</b>	4	REGULATOR-WATER TEMPERATURE						
	4	1	<b>1A-5183</b>	5	BOLT (3/8-16X4.75-IN)						
	5	1	<b>0S-1588</b>	5	BOLT (3/8-16X1.25-IN)						
	6	1	<b>7N-4927</b>	1	GASKET-HOUSING COVER						



FRONT VIEW

GRAPHIC #1

<END>

g00707646



# COOLING SYSTEM

## 8N-7643 HOUSING & REGULATOR GP-INLET CONTROL

S/N: 50Y647-651

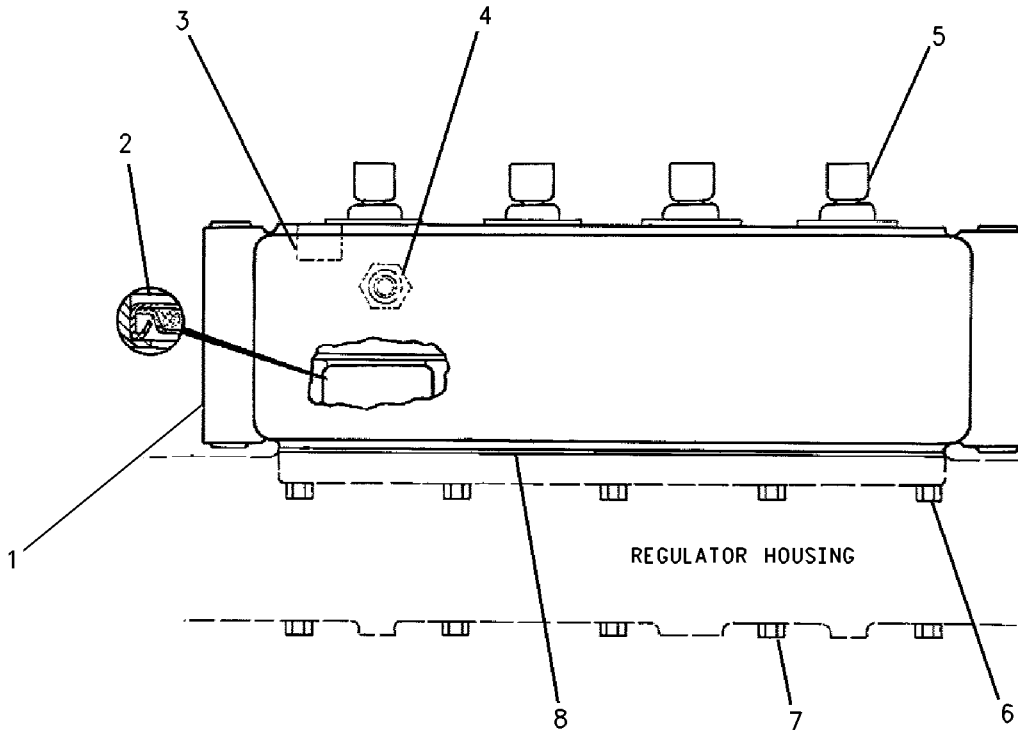
FOR USE WITH EXPANSION TANK AND STANDBY GENERATOR ENGINE  
PART OF 8N-7715 LINES GP-WATER

SMCS-1355, 1393

i03629993

NOTE	REF NO	GRAPHIC REF	PART NUMBER	QTY	PART NAME						SEE PAGE
					1	2	3	4	5	6 (PRODUCT LEVEL)	
C	1	1	<b>2W-7824</b>	1	HOUSING AS						
	2	1	<b>3S-9643</b>	4	SEAL-LIP TYPE (WATER TEMPERATURE REGULATOR)						
C	3	1	<b>4W-3108</b>	1	VALVE AS						
C	4	1	<b>3J-5389</b>	1	PLUG (EXTERNAL)						
C	5	1	<b>4W-4011</b>	4	REGULATOR-TEMPERATURE (89-DEG C)						
C	6	1	<b>0S-1588</b>	5	BOLT (3/8-16X1.25-IN)						
C	7	1	<b>1A-5183</b>	5	BOLT (3/8-16X4.75-IN)						
	8	1	<b>7N-4927</b>	1	GASKET-HOUSING COVER						
F		1	<b>1N-2898</b>	2	PLATE						

C - CHANGE FROM PREVIOUS TYPE  
F - NOT SHOWN



GRAPHIC #1

<END>

g00710161

# COOLING SYSTEM

## 8N-7643 HOUSING & REGULATOR GP-INLET CONTROL

S/N: 50Y652-873; 66Z190-377

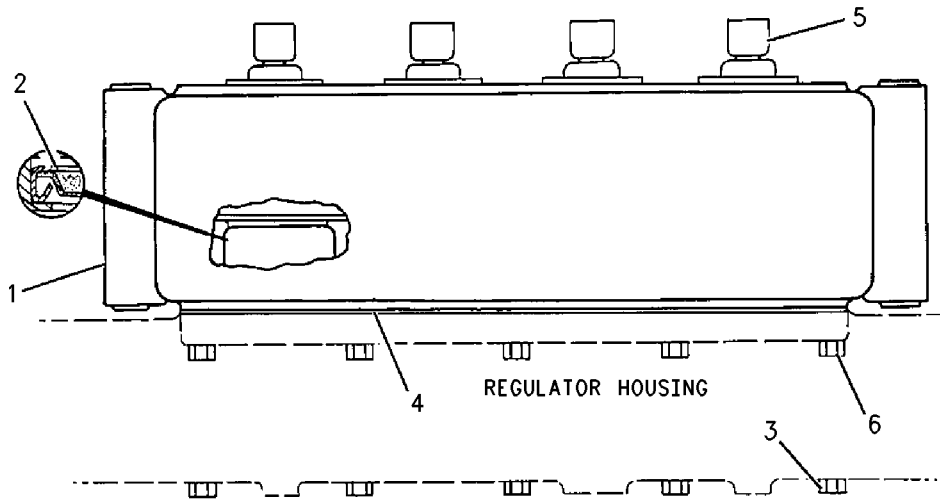
FOR USE WITH EXPANSION TANK AND STANDBY GENERATOR ENGINE

PART OF 8N-7715 LINES GP-WATER

SMCS-1355, 1393

i03629994

NOTE	REF NO	GRAPHIC REF	PART NUMBER	QTY	PART NAME						SEE PAGE
					1	2	3	4	5	6 (PRODUCT LEVEL)	
	1	1	<b>7W-3414</b>	1	HOUSING AS-REGULATOR						
	2	1	<b>3S-9643</b>	4	SEAL-LIP TYPE (WATER TEMPERATURE REGULATOR)						
	3	1	<b>1A-5183</b>	5	BOLT (3/8-16X4.75-IN)						
	4	1	<b>7N-4927</b>	1	GASKET-HOUSING COVER						
	5	1	<b>4W-4794</b>	4	REGULATOR-WATER TEMPERATURE (92-DEG C)						
	6	1	<b>0S-1588</b>	5	BOLT (3/8-16X1.25-IN)						
		1	<b>1N-2898</b>	2	PLATE						



GRAPHIC #1

<END>

g00710200

# COOLING SYSTEM

## 8N-7643 HOUSING & REGULATOR GP-INLET CONTROL

S/N: 50Y874-959; 66Z378-440

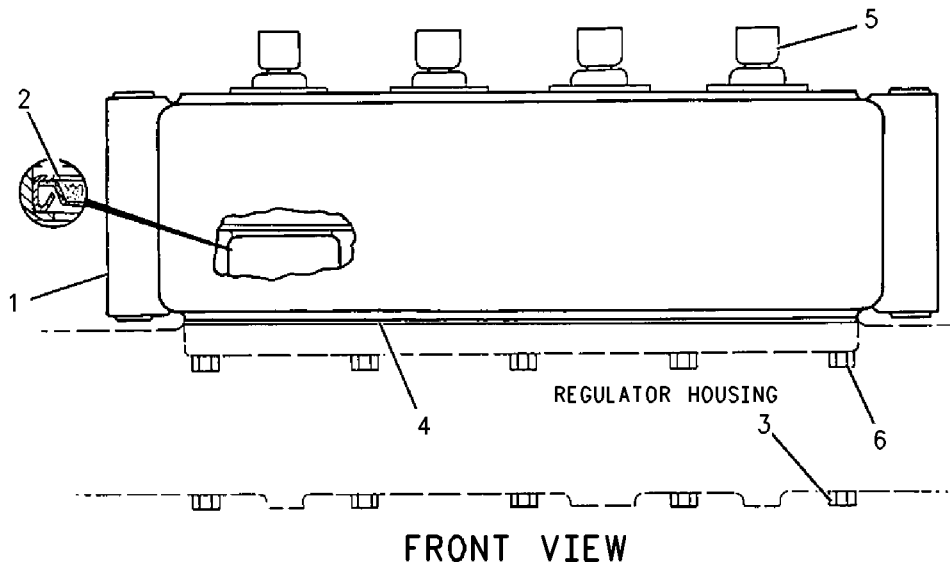
FOR USE WITH EXPANSION TANK AND STANDBY GENERATOR ENGINE

SMCS-1355, 1393

i04420294

NOTE	REF NO	GRAPHIC REF	PART NUMBER	QTY	PART NAME						SEE PAGE
					1	2	3	4	5	6 (PRODUCT LEVEL)	
	1	1	<b>7W-3414</b>	1	HOUSING AS-REGULATOR						
	2	1	<b>3S-9643</b>	4	SEAL-LIP TYPE (WATER TEMPERATURE REGULATOR)						
	3	1	<b>1A-5183</b>	5	BOLT (3/8-16X4.75-IN)						
	4	1	<b>7N-4927</b>	1	GASKET-HOUSING COVER						
C	5	1	<b>7E-7933</b>	4	REGULATOR-WATER TEMPERATURE (92-DEG C)						
	6	1	<b>0S-1588</b>	5	BOLT (3/8-16X1.25-IN)						

C - CHANGE FROM PREVIOUS TYPE



GRAPHIC #1

<END>

g00899848

# COOLING SYSTEM

## 8N-7643 HOUSING & REGULATOR GP-INLET CONTROL

S/N: 50Y960-1304; 66Z441-578

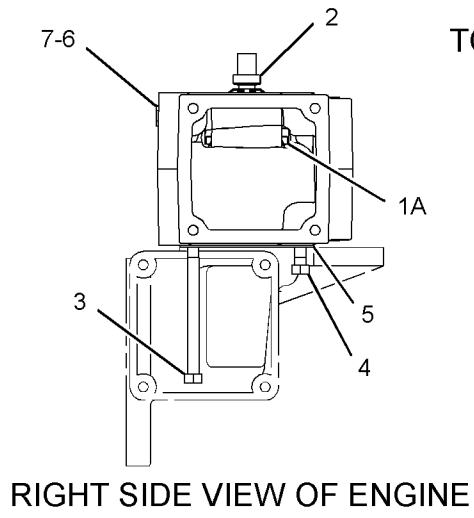
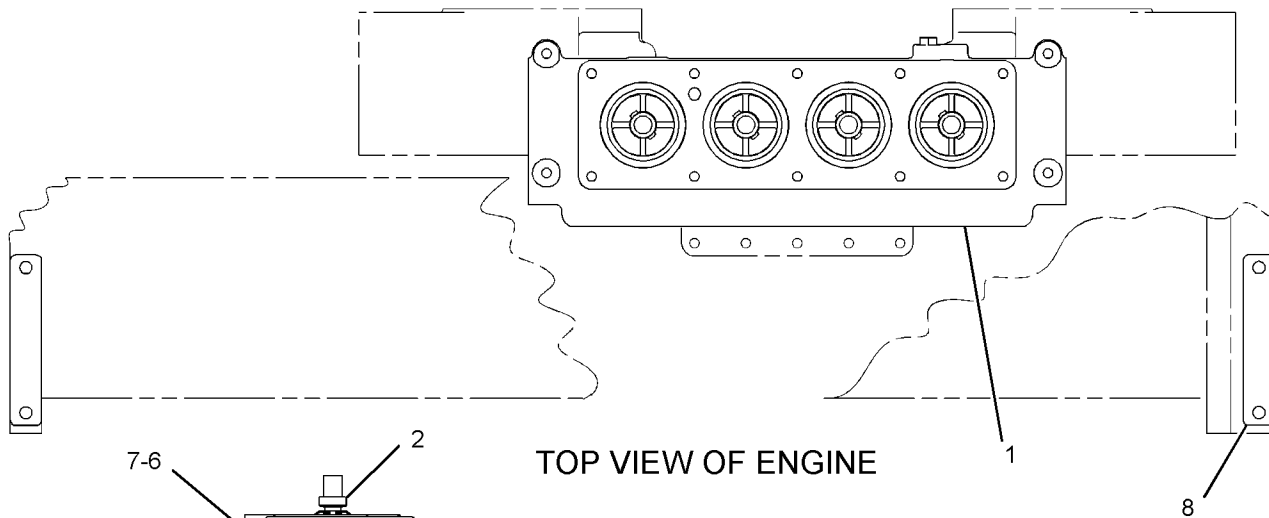
FOR USE WITH EXPANSION TANK AND STANDBY GENERATOR ENGINE  
PART OF 357-0858, 376-4849 ENGINE AR-COMPLETE

SMCS-1355, 1393

i04418408

NOTE	REF NO	GRAPHIC REF	PART NUMBER	QTY	PART NAME						SEE PAGE
					1	2	3	4	5	6 (PRODUCT LEVEL)	
	1	1	<b>7E-6466</b>	1	HOUSING AS-REGULATOR						
	1A	1	<b>3S-9643</b>	4	SEAL-LIP TYPE (WATER TEMPERATURE REGULATOR)						
	2	1	<b>248-5513</b>	4	REGULATOR-TEMPERATURE (92-DEG C) (WATER)						
	3	1	<b>1A-5183</b>	5	BOLT (3/8-16X4.75-IN)						
	4	1	<b>0S-1588</b>	5	BOLT (3/8-16X1.25-IN)						
	5	1	<b>7N-4927</b>	1	GASKET-HOUSING COVER						
C	6	1	<b>9S-4182</b>	1	PLUG (7/16-20-THD)						
C	7	1	<b>6V-9027</b>	1	SEAL-O-RING						
BC	8	1	<b>106-3512</b>	2	PLATE						

B - USE AS REQUIRED  
C - CHANGE FROM PREVIOUS TYPE



GRAPHIC #1

<END>

g02021193

# COOLING SYSTEM

## 222-5152 KIT-WATER PUMP

S/N: 50Y647-1304  
FIELD INSTALLATION

SMCS-1361

i07441033

NOTE	PART NUMBER	QTY	PART NAME						SEE PAGE
			1	2	3	4	5	6 (PRODUCT LEVEL)	
	0S-1618	2	BOLT (5/16-18X1-IN)						
	4N-5834	2	FILTER-FOAM (WATER PUMP HOUSING)						
	212-8184	1	IMPELLER						
	166-4374	1	RING AS						
	1L-5316	1	PIN-SPRING						
	271-4926	1	SEAL						
	416-0603	1	SEAL GP (WATER PUMP)						
	8C-5236	1	SEAL-LIP TYPE						
	3D-2824	1	SEAL-O-RING						
	212-8180	1	SHAFT AS-PUMP DRIVE						
	4B-9782	1	BALL						
	9M-1974	2	WASHER-HARD (8.8X16X2-MM THK)						
	7N-4758	1	WASHER-THRUST						
FOR A LIST OF RELATED PARTS THAT ARE REQUIRED FOR THE ENGINE REBUILD TO THE KIT CONSISST, PLEASE VISIT									
<a href="https://dealer.cat.com/related">HTTPS://DEALER.CAT.COM/RELATED</a>									
<END>									

## 222-5153 KIT-WATER PUMP

S/N: 66Z190-578

CONTAINS THE BEARINGS, SHAFT, SEALS & HARDWARE REQUIRED TO REBUILD A WATER PUMP. A WATER PUMP INSTALL KIT IS REQUIRED TO INSTALL THE PUMP  
FIELD REPLACEMENT FOR 190-8921 KIT-WATER PUMP  
FIELD INSTALLATION

SMCS-1361

i07143020

NOTE	PART NUMBER	QTY	PART NAME						SEE PAGE
			1	2	3	4	5	6 (PRODUCT LEVEL)	
	0S-1618	2	BOLT (5/16-18X1-IN)						
	4N-5834	2	FILTER-FOAM (WATER PUMP HOUSING)						
	212-8187	1	IMPELLER						
	166-4374	1	RING AS						
	271-4926	1	SEAL						
	416-0603	1	SEAL GP (WATER PUMP)						
	8C-5236	1	SEAL-LIP TYPE						
	3D-2824	1	SEAL-O-RING						
	212-8180	1	SHAFT AS-PUMP DRIVE						
	9M-1974	2	WASHER-HARD (8.8X16X2-MM THK)						
	7N-4758	1	WASHER-THRUST						
FOR A LIST OF RELATED PARTS THAT REQUIRED FOR THE ENGINE REBUILD TO THE KIT CONSIST, PLEASE VISIT									
<a href="https://dealer.cat.com/related">HTTPS://DEALER.CAT.COM/RELATED</a>									
<END>									

# COOLING SYSTEM

## 8N-7716 LINES GP-AFTERCOOLER WATER

S/N: 50Y647-690; 66Z190-208

SMCS - 1380

i01802560

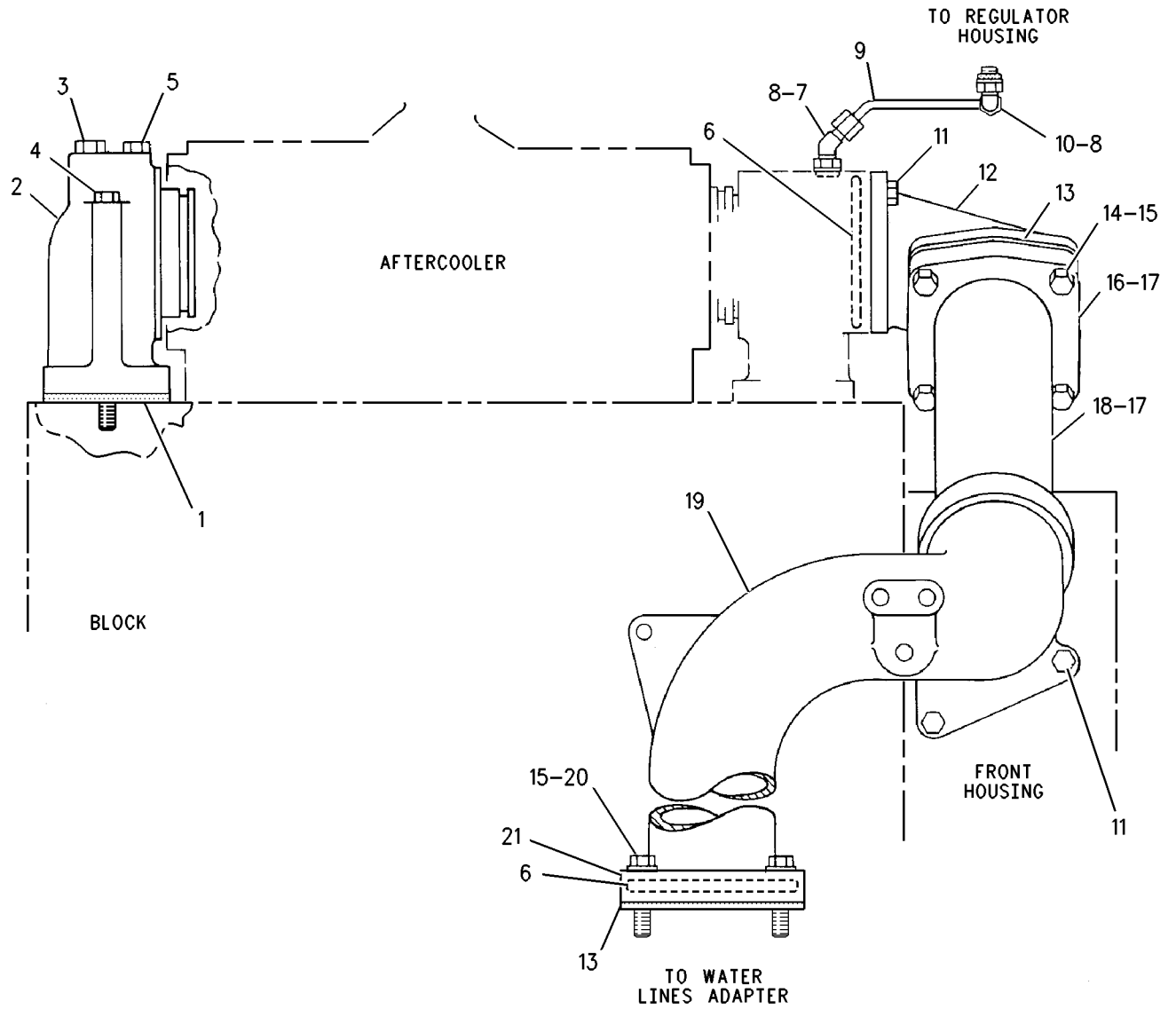
NOTE	REF NO	GRAPHIC REF	PART NUMBER	QTY	PART NAME						SEE PAGE
					1	2	3	4	5	6 (PRODUCT LEVEL)	
	1	1	<b>1A-9066</b>	1	GASKET						
	2	1	<b>1W-0513</b>	1	ELBOW						
	3	1	<b>3J-5390</b>	1	PLUG (3/8-18-THD)						
	4	1	<b>5F-4899</b>	2	BOLT (3/8-16X5.5-IN)						
	5	1	<b>5M-6213</b>	1	PLUG-PIPE (1/4-18-THD)						
C	6	1	<b>8H-2046</b>	2	SEAL-O-RING						
	7	1	<b>030-7941</b>	1	ELBOW						
	8	1	<b>3J-7354</b>	2	SEAL-O-RING						
	9	1	<b>8N-9050</b>	1	TUBE AS						
	10	1	<b>030-7946</b>	1	ELBOW						
	11	1	<b>1A-2029</b>	5	BOLT (3/8-16X1.125-IN)						
	12	1	<b>8N-9390</b>	1	ELBOW						
		1	<b>1B-5174</b>	1	PLUG-PIPE						
	13	1	<b>4N-1320</b>	2	GASKET (ADAPTER)						
	14	1	<b>0S-1571</b>	4	BOLT (3/8-16X1.75-IN)						
	15	1	<b>5M-2894</b>	8	WASHER-HARD (10.2X18.5X2.5-MM THK)						
	16	1	<b>8N-1990</b>	1	FLANGE						
	17	1	<b>6V-1454</b>	2	SEAL-O-RING						
	18	1	<b>8N-1989</b>	1	TUBE						
	19	1	<b>1N-4087</b>	1	ELBOW						
B	20	1	<b>2A-4639</b>	4	BOLT (3/8-16X1.625-IN)						
	21	1	<b>8N-0386</b>	1	FLANGE						

B - USE AS REQUIRED  
 C - CHANGE FROM PREVIOUS TYPE

# COOLING SYSTEM

8N-7716 LINES GP-AFTERCooler WATER (contd.)

i01802560



GRAPHIC #1

<END>

g00923336

# COOLING SYSTEM

## 8N-7716 LINES GP-AFTERCOOLER WATER

S/N: 50Y691-1304; 66Z209-578

SMCS - 1380

i03129075

NOTE	REF NO	GRAPHIC REF	PART NUMBER	QTY	PART NAME						SEE PAGE
					1	2	3	4	5	6 (PRODUCT LEVEL)	
BC	1	1	<b>5M-2894</b>	2	WASHER-HARD (10.2X18.5X2.5-MM THK)						
	2	1	<b>8N-9390</b>	1	ELBOW						
	3	1	<b>8N-1990</b>	1	FLANGE						
C	4	1	<b>2A-4639</b>	2	BOLT (3/8-16X1.625-IN)						
BC	5	1	<b>2A-4639</b>	2	BOLT (3/8-16X1.625-IN)						
	6	1	<b>8N-1989</b>	1	TUBE						
	7	1	<b>1N-4087</b>	1	ELBOW						
	8	1	<b>1A-2029</b>	5	BOLT (3/8-16X1.125-IN)						
C	9	1	<b>8N-0386</b>	1	FLANGE						
	10	1	<b>230-1072</b>	1	GASKET						
	11	1	<b>7F-3425</b>	2	BOLT (3/8-16X5.75-IN)						
C	12	1	<b>5M-2894</b>	6	WASHER-HARD (10.2X18.5X2.5-MM THK)						
C	13	1	<b>6V-9027</b>	2	SEAL-O-RING						
C	14	1	<b>6V-5066</b>	2	SEAL-O-RING						
	15	1	<b>6V-1454</b>	2	SEAL-O-RING						
	16	1	<b>1W-0513</b>	1	ELBOW						
	17	1	<b>8T-6765</b>	1	PLUG-PIPE (1/4-18-THD)						
	18	1	<b>4N-1320</b>	2	GASKET (ADAPTER)						
BC	19	1	<b>7X-7731</b>	1	PLUG-PIPE (3/4-14-THD)						
	20	1	<b>8T-6767</b>	1	PLUG-PIPE (3/8-18-THD)						
	21	1	<b>0S-1571</b>	4	BOLT (3/8-16X1.75-IN)						
C	22	1	<b>7C-5230</b>	1	TUBE AS						
C	23	1	<b>030-7946</b>	2	ELBOW						
	24	1	<b>7X-0575</b>	2	WASHER-HARD (10.2X22.5X5-MM THK)						

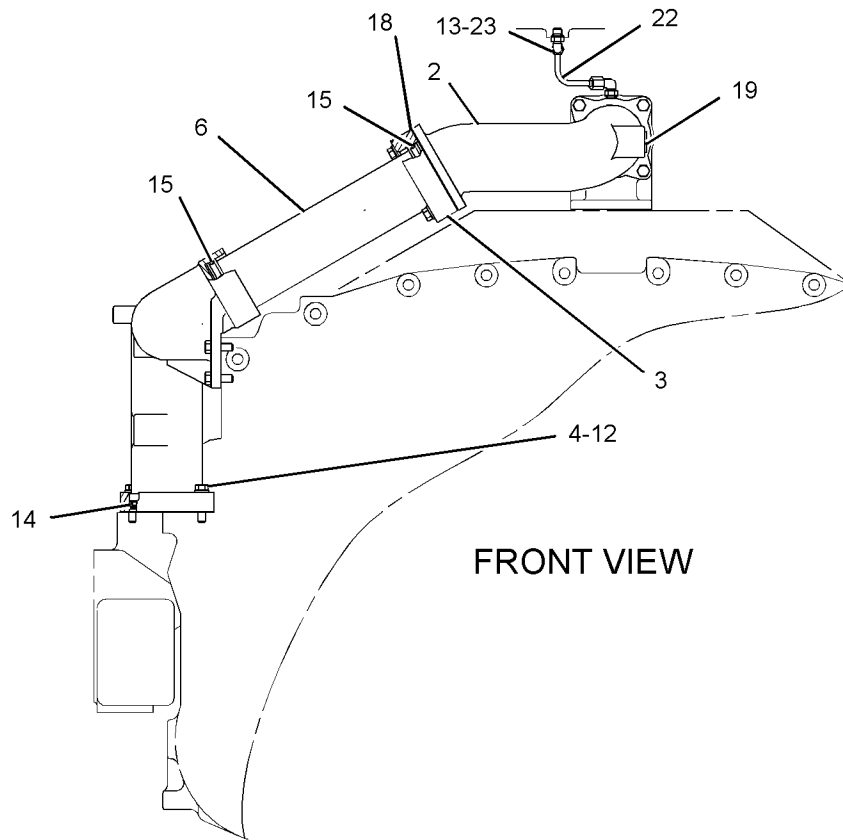
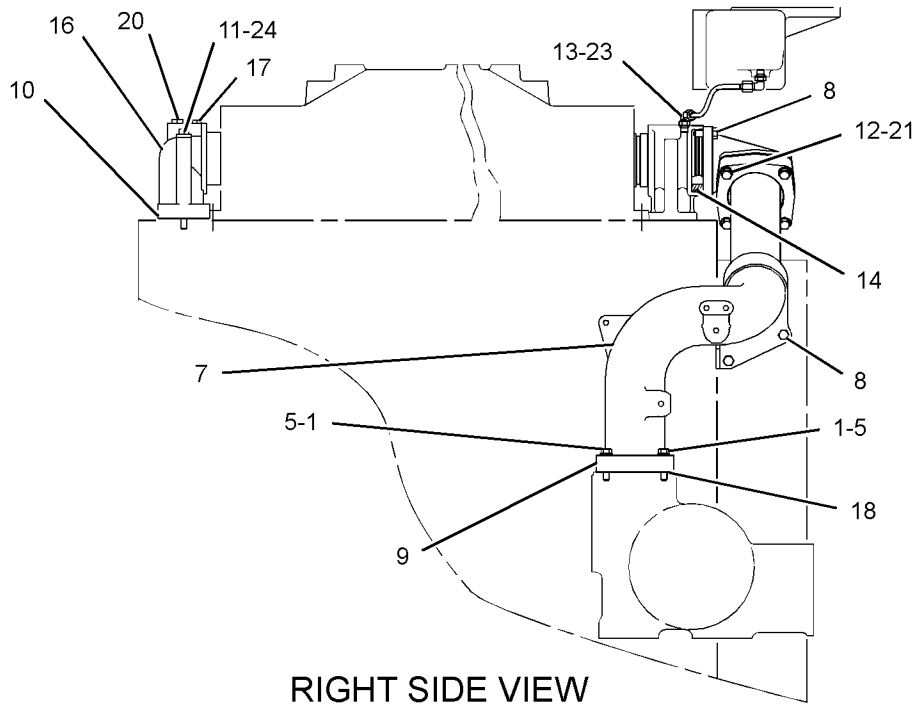
B - USE AS REQUIRED  
 C - CHANGE FROM PREVIOUS TYPE



# COOLING SYSTEM

8N-7716 LINES GP-AFTERCooler WATER (contd.)

103129075



GRAPHIC #1

<END>

g01164711

# COOLING SYSTEM

## 7C-9245 LINES GP-AUXILIARY FRESH WATER FOR USE WITH REINTJES MARINE GEAR AN ATTACHMENT

SMCS-1380

i01426612

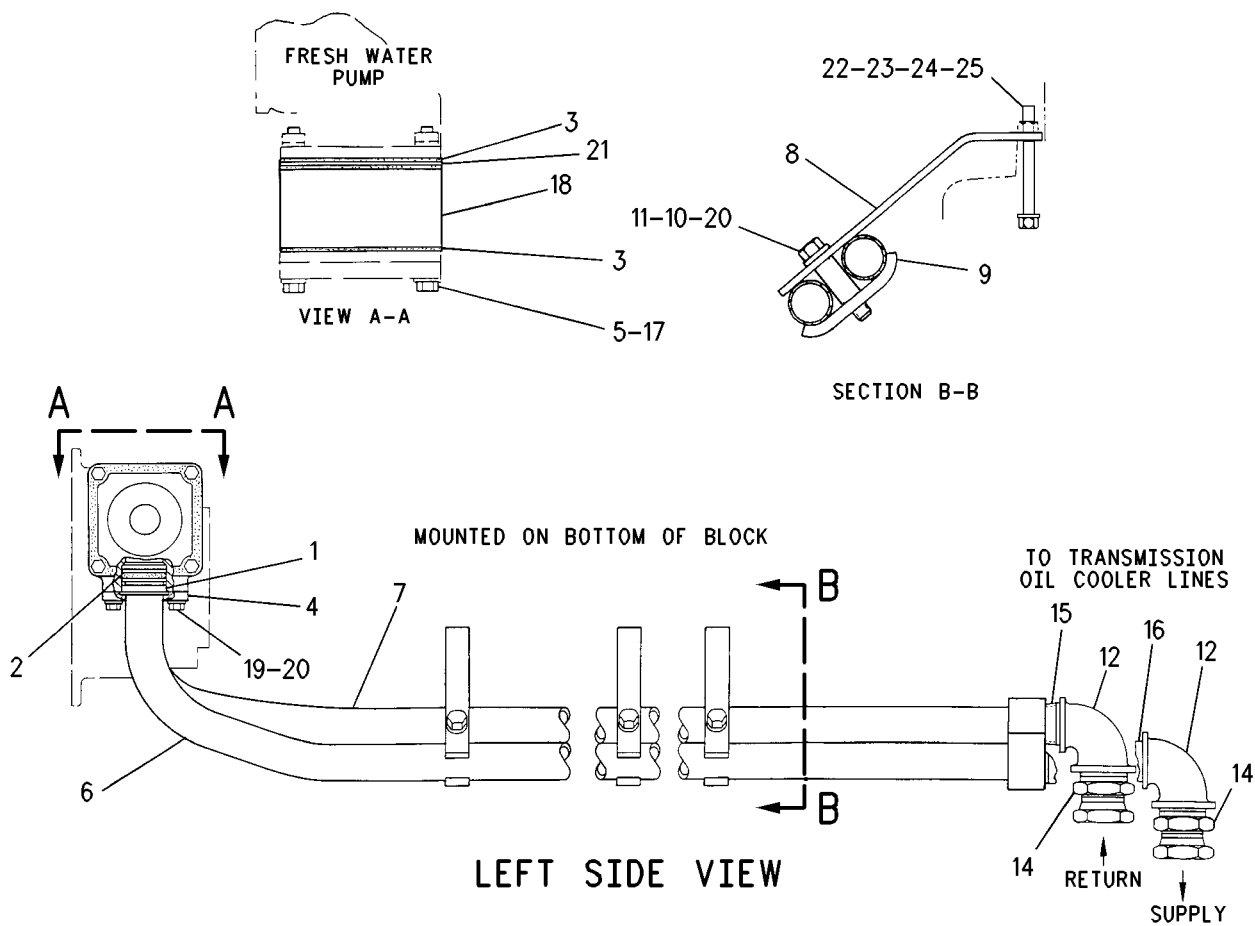
NOTE	REF NO	GRAPHIC REF	PART NUMBER	QTY	PART NAME						SEE PAGE
					1	2	3	4	5	6 (PRODUCT LEVEL)	
	1	1	<b>8N-5873</b>	2	RING-RETAINING						
	2	1	<b>4F-7389</b>	2	SEAL-O-RING						
	3	1	<b>3P-6061</b>	6	GASKET						
	4	1	<b>8N-5872</b>	4	RETAINER						
	5	1	<b>1A-5964</b>	4	BOLT (3/8-16X4.5-IN)						
	6	1	<b>8N-8405</b>	1	TUBE AS-RETURN						
	7	1	<b>8N-8403</b>	1	TUBE AS-SUPPLY						
	8	1	<b>143-5171</b>	3	BRACKET						
	9	1	<b>143-5170</b>	3	CLAMP						
	10	1	<b>0L-1143</b>	3	BOLT (3/8-16X2.5-IN)						
	11	1	<b>3H-4656</b>	3	SPACER (1.5-IN THK)						
	12	1	<b>6L-4382</b>	2	ELBOW						
	14	1	<b>1L-1722</b>	2	CONNECTOR-PIPE						
	15	1	<b>3B-7750</b>	1	FITTING						
	16	1	<b>2R-3538</b>	1	FITTING						
	17	1	<b>0T-0055</b>	4	BOLT (3/8-16X4.25-IN)						
	18	1	<b>7C-9117</b>	1	ADAPTER-WATER						
	19	1	<b>0S-1594</b>	4	BOLT (3/8-16X1-IN)						
	20	1	<b>5M-2894</b>	7	WASHER-HARD (10.2X18.5X2.5-MM THK)						
	21	1	<b>5N-2205</b>	1	PLATE-ORIFICE						
B	22	1	<b>1A-5964</b>	3	BOLT (3/8-16X4.5-IN)						
B	23	1	<b>5P-1075</b>	3	WASHER-HARD (10.2X22.5X3-MM THK)						
B	24	1	<b>5M-2894</b>	3	WASHER-HARD (10.2X18.5X2.5-MM THK)						
B	25	1	<b>9S-8752</b>	3	NUT-FULL (3/8-16-THD)						

B - USE AS REQUIRED

# COOLING SYSTEM

7C-9245 LINES GP-AUXILIARY FRESH WATER (contd.)

101426612



GRAPHIC #1

<END>

g00747440

# COOLING SYSTEM

## 7W-6305 LINES GP-AUXILIARY FRESH WATER AN ATTACHMENT

SMCS-1380

i00940905

NOTE	REF NO	GRAPHIC REF	PART NUMBER	QTY	PART NAME						SEE PAGE
					1	2	3	4	5	6 (PRODUCT LEVEL)	
B	1	1	<b>9F-8999</b>	4	BOLT (3/8-16X7-IN) (7 IN. LG.)						
B	2	1	<b>3P-6061</b>	8	GASKET						
	3	1	<b>5N-0376</b>	2	ADAPTER-WATER						
	4	1	<b>5N-0375</b>	1	PLATE-ORIFICE						
	5	1	<b>7W-6308</b>	1	TUBE AS-RETURN						
					(FRESH WATER RETURN)						
	6	1	<b>4F-7389</b>	2	SEAL-O-RING						
	7	1	<b>8N-5872</b>	4	RETAINER						
	8	1	<b>8N-5873</b>	2	RING-RETAINING						
	9	1	<b>0S-1594</b>	5	BOLT (3/8-16X1-IN)						
	10	1	<b>5M-2894</b>	4	WASHER-HARD (10.2X18.5X2.5-MM THK)						
	11	1	<b>0S-1592</b>	2	BOLT (5/8-11X1.25-IN)						
	12	1	<b>5P-8247</b>	3	WASHER-HARD (17X32X3.5-MM THK)						
	13	1	<b>7W-6289</b>	3	BRACKET						
	14	1	<b>4J-5627</b>	3	CLAMP (THREADED HOLE)						
	15	1	<b>9S-1366</b>	3	BOLT (1/2-13X2.5-IN)						
	16	1	<b>5P-1076</b>	2	WASHER-HARD (13.5X30X4-MM THK)						
	17	1	<b>1J-3661</b>	1	CLAMP						
	18	1	<b>5P-8245</b>	3	WASHER-HARD (13.5X25.5X3-MM THK)						
	19	1	<b>5P-8250</b>	2	WASHER (28X49X5-MM THK)						
	20	1	<b>7W-6306</b>	1	TUBE AS-SUPPLY						
					(FRESH WATER SUPPLY)						
I	21	1	<b>3N-9259</b>	2	HOSE AS						
	22	1	<b>0S-1595</b>	1	BOLT (1/2-13X1.25-IN)						
	23	1	<b>1D-4719</b>	1	NUT-FULL (1/2-13-THD)						
	24	1	<b>3B-7277</b>	1	NIPPLE-PIPE						
	25	1	<b>3B-6499</b>	1	ELBOW						
	26	1	<b>3B-6556</b>	1	ELBOW-STREET						
	27	1	<b>1P-8016</b>	2	CLIP						
	28	1	<b>1A-8537</b>	1	BOLT (5/8-11X2.75-IN)						
	29	1	<b>5T-8224</b>	1	SPACER (17X32X12.7-MM THK)						
	30	1	<b>3L-3869</b>	2	CONNECTOR-PIPE						
	31	1	<b>2K-2385</b>	1	CLAMP-HOSE						
	32	1	<b>7W-6288</b>	1	PLATE						
	33	1	<b>1D-4717</b>	1	NUT (3/8-16-THD)						
	34	1	<b>9L-9132</b>	2	WASHER (10.2X25.5X2.5-MM THK)						
	35	1	<b>2H-3745</b>	2	BOLT (1-14X2.75-IN)						
	36	1	<b>8G-2077</b>	2	SPACER (26X45X17.5-MM THK)						
B	37	1	<b>6B-1557</b>	4	BOLT (3/8-16X7.5-IN) (7.5 IN. LG.)						

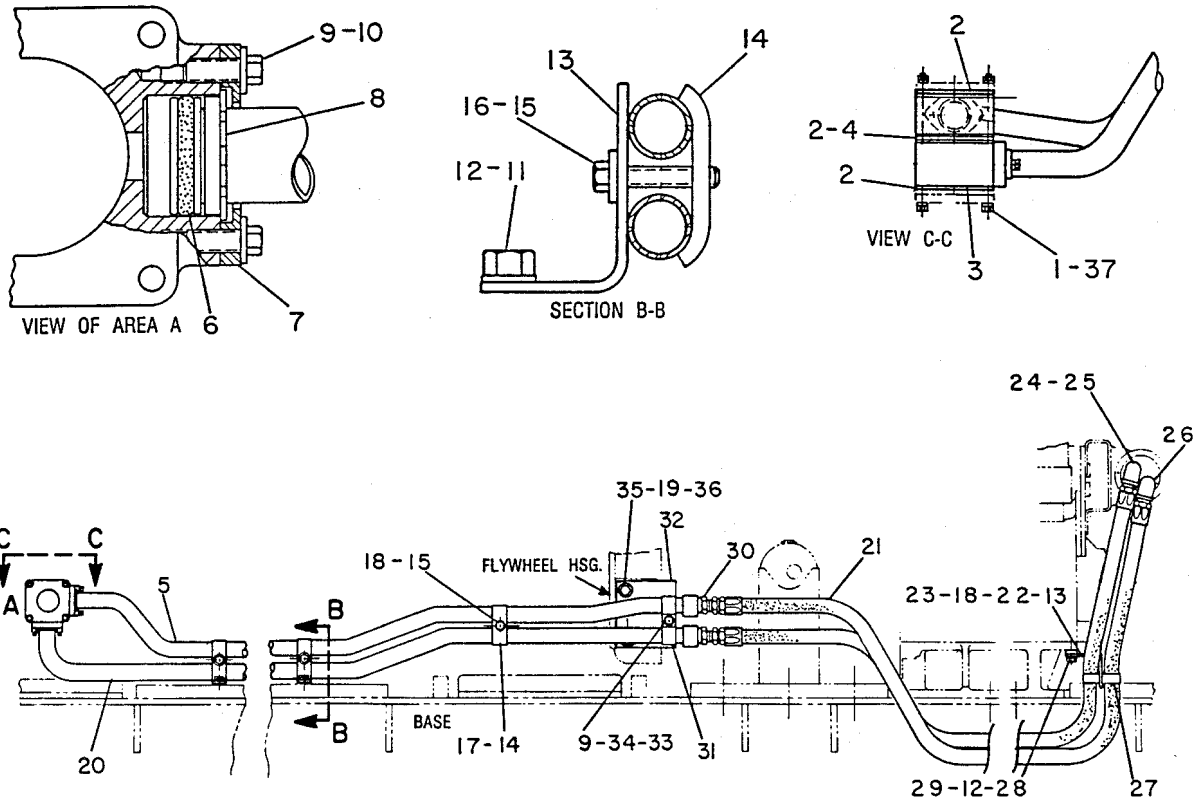
B - USE AS REQUIRED

I - REFER TO HYDRAULIC INFORMATION SYSTEM

# COOLING SYSTEM

7W-6305 LINES GP-AUXILIARY FRESH WATER (contd.)

i00940905



GRAPHIC #1

<END>

g00181608

# COOLING SYSTEM

## 8N-8406 LINES GP-AUXILIARY FRESH WATER FOR USE WITH AUXILIARY WATER PUMP AN ATTACHMENT TYPE 1

**SMCS-1380**

**i02641348**

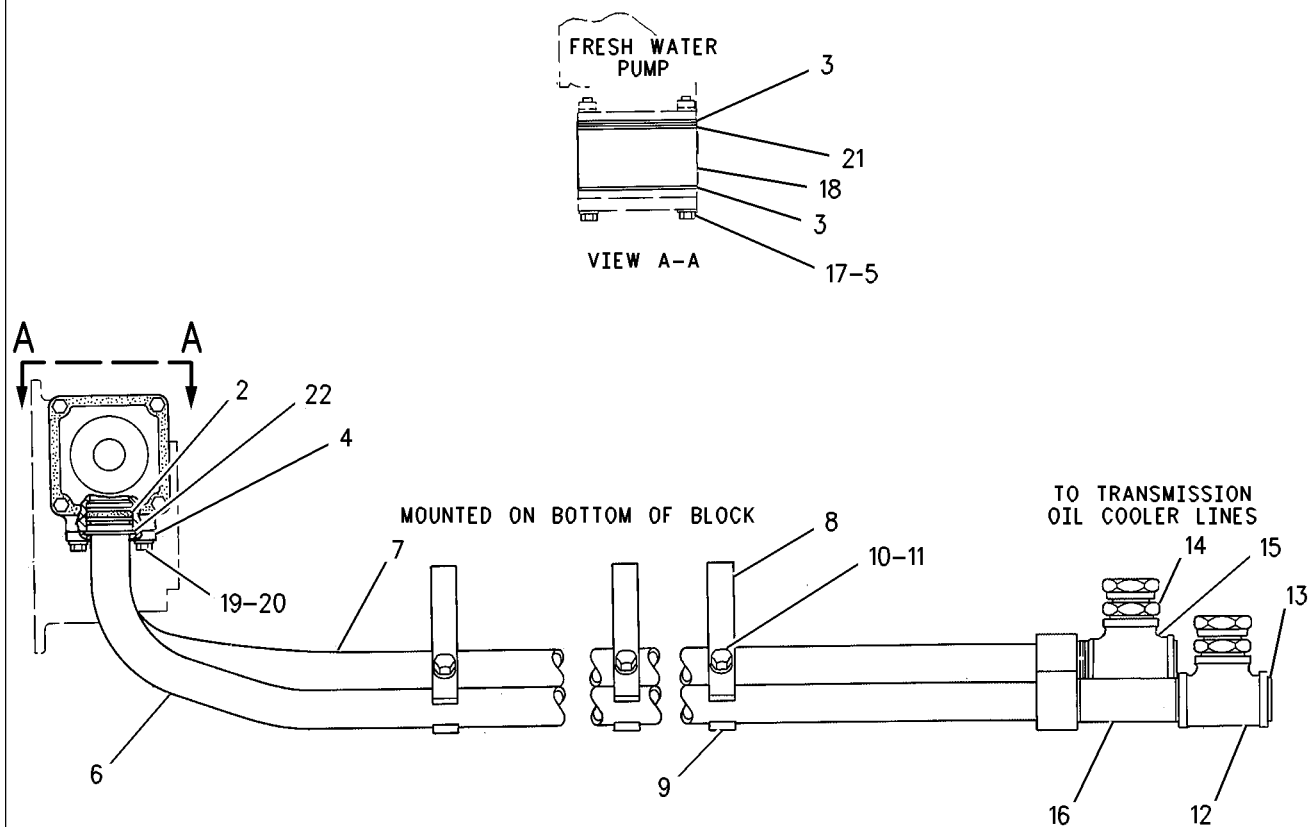
NOTE	REF NO	GRAPHIC REF	PART NUMBER	QTY	PART NAME						SEE PAGE
					1	2	3	4	5	6 (PRODUCT LEVEL)	
	2	1	<b>4F-7389</b>	2	SEAL-O-RING						
BC	3	1	<b>3P-6061</b>	6	GASKET						
	4	1	<b>8N-5872</b>	4	RETAINER						
C	5	1	<b>1A-5964</b>	4	BOLT (3/8-16X4.5-IN)						
	6	1	<b>8N-8405</b>	1	TUBE AS-RETURN						
	7	1	<b>8N-8403</b>	1	TUBE AS-SUPPLY						
	8	1	<b>5N-1953</b>	3	BRACKET						
	9	1	<b>4J-5627</b>	3	CLAMP						
	10	1	<b>9S-1366</b>	3	BOLT (1/2-13X2.5-IN)						
	11	1	<b>5P-8245</b>	3	WASHER-HARD (13.5X25.5X3-MM THK)						
	12	1	<b>6V-6941</b>	1	TEE-PIPE						
C	13	1	<b>7X-7730</b>	2	PLUG-PIPE						
	14	1	<b>3L-3869</b>	2	CONNECTOR-PIPE						
C	15	1	<b>6V-6939</b>	1	TEE-PIPE						
	16	1	<b>2R-3538</b>	1	FITTING						
B	17	1	<b>0T-0055</b>	4	BOLT (3/8-16X4.25-IN)						
C	18	1	<b>5N-0376</b>	1	ADAPTER-WATER						
	19	1	<b>0S-1594</b>	4	BOLT (3/8-16X1-IN)						
	20	1	<b>5M-2894</b>	4	WASHER-HARD (10.2X18.5X2.5-MM THK)						
	21	1	<b>5N-0375</b>	1	PLATE-ORIFICE						
	22	1	<b>8N-5873</b>	2	RING-RETAINING						

B - USE AS REQUIRED  
C - CHANGE FROM PREVIOUS TYPE

# COOLING SYSTEM

8N-8406 LINES GP-AUXILIARY FRESH WATER (contd.)

102641348



GRAPHIC #1

<END>

g00701888

# COOLING SYSTEM

## 8N-8406 LINES GP-AUXILIARY FRESH WATER FOR USE WITH AUXILIARY WATER PUMP AN ATTACHMENT TYPE 2

SMCS-1380

i01324726

NOTE	REF NO	GRAPHIC REF	PART NUMBER	QTY	PART NAME						SEE PAGE
					1	2	3	4	5	6 (PRODUCT LEVEL)	
	2	1	<b>4F-7389</b>	2	SEAL-O-RING						
B	3	1	<b>3P-6061</b>	6	GASKET						
	4	1	<b>8N-5872</b>	4	RETAINER						
	5	1	<b>1A-5964</b>	4	BOLT (3/8-16X4.5-IN)						
	6	1	<b>8N-8405</b>	1	TUBE AS-RETURN						
	7	1	<b>8N-8403</b>	1	TUBE AS-SUPPLY						
C	8	1	<b>143-5171</b>	3	BRACKET						
C	9	1	<b>143-5170</b>	3	CLAMP						
C	10	1	<b>0L-1143</b>	3	BOLT (3/8-16X2.5-IN)						
C	11	1	<b>3H-4656</b>	3	SPACER (1.5-IN THK)						
	12	1	<b>6V-6941</b>	1	TEE-PIPE						
	13	1	<b>7X-7730</b>	2	PLUG-PIPE						
	14	1	<b>3L-3869</b>	2	CONNECTOR-PIPE						
	15	1	<b>6V-6939</b>	1	TEE-PIPE						
	16	1	<b>2R-3538</b>	1	FITTING						
B	17	1	<b>0T-0055</b>	4	BOLT (3/8-16X4.25-IN)						
	18	1	<b>5N-0376</b>	1	ADAPTER-WATER						
	19	1	<b>0S-1594</b>	4	BOLT (3/8-16X1-IN)						
C	20	1	<b>5M-2894</b>	7	WASHER-HARD (10.2X18.5X2.5-MM THK)						
	21	1	<b>5N-0375</b>	1	PLATE-ORIFICE						
	22	1	<b>8N-5873</b>	2	RING-RETAINING						

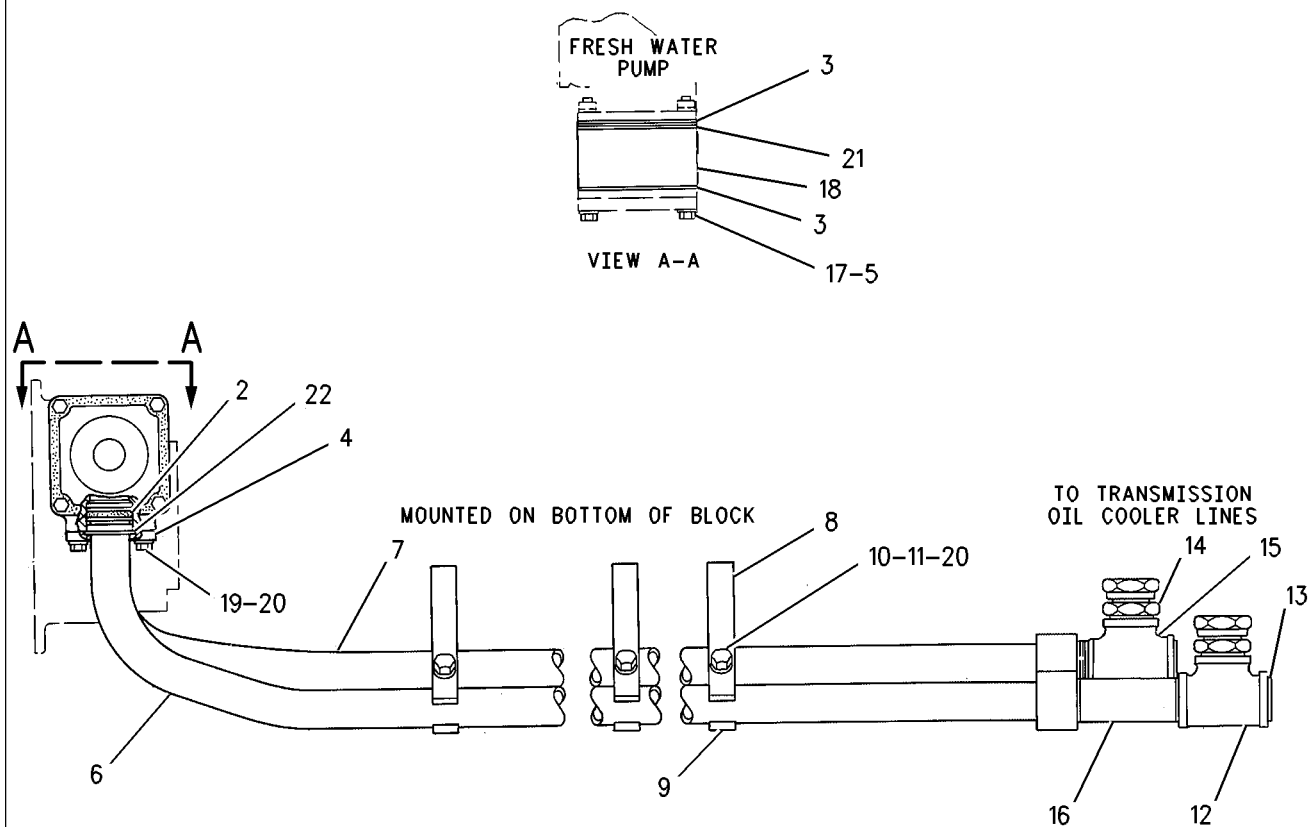
B - USE AS REQUIRED  
C - CHANGE FROM PREVIOUS TYPE



# COOLING SYSTEM

8N-8406 LINES GP-AUXILIARY FRESH WATER (contd.)

101324726



GRAPHIC #1

<END>

g00702435

# COOLING SYSTEM

## 7C-9242 LINES GP-AUXILIARY SEA WATER

S/N: 50Y647-1304

FOR USE WITH REINTJES MARINE GEAR  
AN ATTACHMENT

SMCS-1380, 3319

i01426685

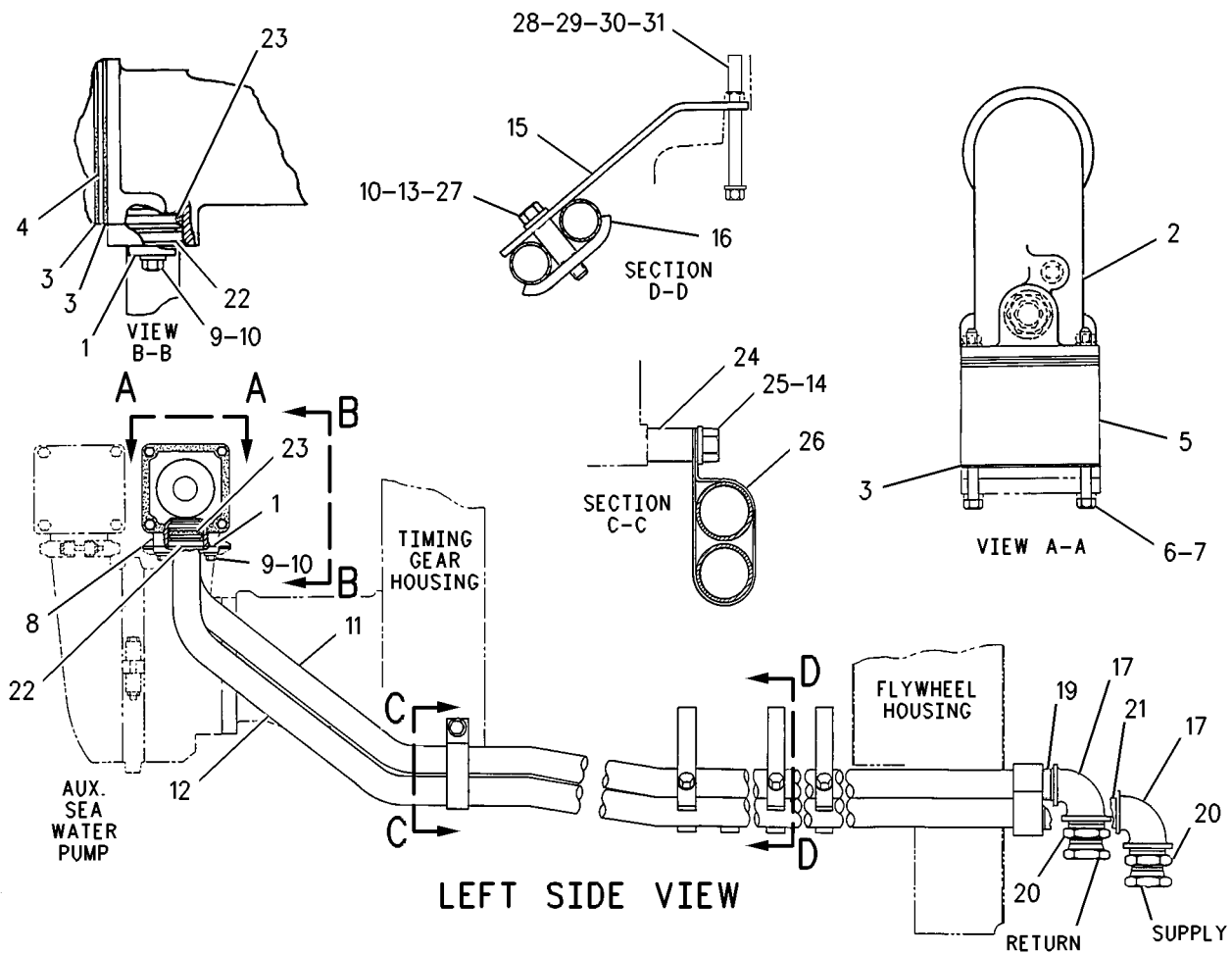
NOTE	REF NO	GRAPHIC REF	PART NUMBER	QTY	PART NAME						SEE PAGE
					1	2	3	4	5	6 (PRODUCT LEVEL)	
	1	1	<b>8N-5872</b>	4	RETAINER						
	2	1	<b>7C-9119</b>	1	ELBOW-WATER PUMP						
	3	1	<b>3P-6061</b>	6	GASKET						
	4	1	<b>9Y-0871</b>	1	PLATE-ORIFICE						
	5	1	<b>5N-1844</b>	1	ADAPTER-WATER						
	6	1	<b>5F-4899</b>	4	BOLT (3/8-16X5.5-IN)						
	7	1	<b>5B-9603</b>	4	BOLT (3/8-16X5-IN)						
	8	1	<b>8B-6283</b>	1	GASKET						
	9	1	<b>1A-2029</b>	4	BOLT (3/8-16X1.125-IN)						
	10	1	<b>5M-2894</b>	7	WASHER-HARD (10.2X18.5X2.5-MM THK)						
	11	1	<b>5N-0429</b>	1	TUBE AS (SUPPLY)						
	12	1	<b>5N-0427</b>	1	TUBE AS (RETURN)						
	13	1	<b>0L-1143</b>	3	BOLT (3/8-16X2.5-IN)						
	14	1	<b>5P-8245</b>	1	WASHER-HARD (13.5X25.5X3-MM THK)						
	15	1	<b>143-5171</b>	3	BRACKET						
	16	1	<b>143-5170</b>	3	CLAMP						
	17	1	<b>8C-7566</b>	2	ELBOW						
	19	1	<b>2N-2013</b>	1	FITTING						
	20	1	<b>5P-2203</b>	2	CONNECTOR-PIPE						
	21	1	<b>2N-2012</b>	1	FITTING						
	22	1	<b>8N-5873</b>	2	RING-RETAINING						
	23	1	<b>4F-7389</b>	2	SEAL-O-RING						
	24	1	<b>5S-5955</b>	1	BUSHING-TERMINAL						
	25	1	<b>0S-1587</b>	1	BOLT (1/2-13X1.75-IN)						
	26	1	<b>6V-2384</b>	1	CLIP						
	27	1	<b>3H-4656</b>	3	SPACER (1.5-IN THK)						
B	28	1	<b>1A-5964</b>	3	BOLT (3/8-16X4.5-IN)						
B	29	1	<b>5P-1075</b>	3	WASHER-HARD (10.2X22.5X3-MM THK)						
B	30	1	<b>5M-2894</b>	3	WASHER-HARD (10.2X18.5X2.5-MM THK)						
B	31	1	<b>9S-8752</b>	3	NUT-FULL (3/8-16-THD)						

B - USE AS REQUIRED

# COOLING SYSTEM

7C-9242 LINES GP-AUXILIARY SEA WATER (contd.)

i01426685



GRAPHIC #1

<END>

g00747445

# COOLING SYSTEM

## 7C-9243 LINES GP-AUXILIARY SEA WATER FOR USE WITH REINTJES MARINE GEAR AN ATTACHMENT

SMCS-1380, 3319

i02215288

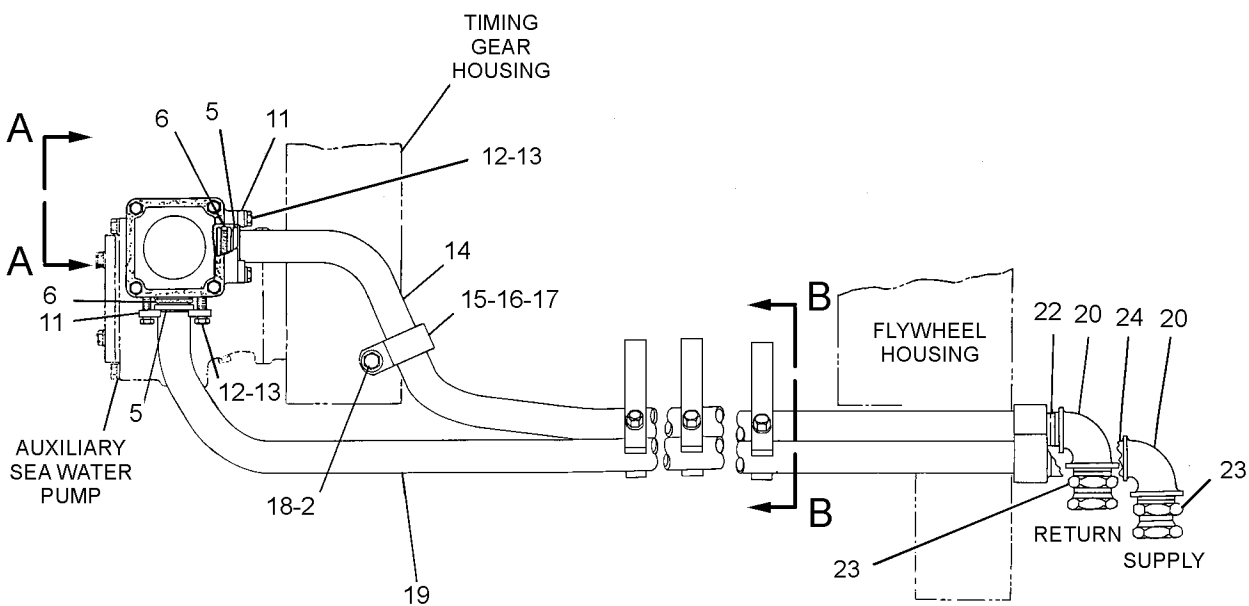
NOTE	REF NO	GRAPHIC REF	PART NUMBER	QTY	PART NAME						SEE PAGE
					1	2	3	4	5	6 (PRODUCT LEVEL)	
	1	1	<b>0L-1143</b>	3	BOLT (3/8-16X2.5-IN)						
	2	1	<b>5P-8245</b>	1	WASHER-HARD (13.5X25.5X3-MM THK)						
	3	1	<b>143-5171</b>	3	BRACKET						
	4	1	<b>143-5170</b>	3	CLAMP						
	5	1	<b>8N-5873</b>	2	RING-RETAINING						
	6	1	<b>4F-7389</b>	2	SEAL-O-RING						
	7	1	<b>3P-6061</b>	6	GASKET						
	8	1	<b>5N-1844</b>	1	ADAPTER-WATER						
	9	1	<b>5F-4899</b>	4	BOLT (3/8-16X5.5-IN)						
	10	1	<b>5B-9603</b>	4	BOLT (3/8-16X5-IN)						
	11	1	<b>8N-5872</b>	4	RETAINER						
	12	1	<b>1A-2029</b>	4	BOLT (3/8-16X1.125-IN)						
	13	1	<b>5M-2894</b>	7	WASHER-HARD (10.2X18.5X2.5-MM THK)						
	14	1	<b>8N-8539</b>	1	TUBE AS-RETURN						
	15	1	<b>2G-6236</b>	1	SPACER (0.562X1X2.22-IN THK)						
	16	1	<b>7K-1402</b>	1	BRACKET						
	17	1	<b>7K-1401</b>	1	CLIP						
	18	1	<b>0V-0375</b>	1	BOLT (1/2-13X3.25-IN)						
	19	1	<b>8N-8537</b>	1	TUBE AS-SUPPLY						
	20	1	<b>8C-7566</b>	2	ELBOW						
	22	1	<b>2N-2013</b>	1	FITTING						
	23	1	<b>5P-2203</b>	2	CONNECTOR-PIPE						
	24	1	<b>2N-2012</b>	1	FITTING						
	25	1	<b>5N-2205</b>	1	PLATE-ORIFICE						
	26	1	<b>3H-4656</b>	3	SPACER (1.5-IN THK)						
B	27	1	<b>1A-5964</b>	3	BOLT (3/8-16X4.5-IN)						
B	28	1	<b>5P-1075</b>	3	WASHER-HARD (10.2X22.5X3-MM THK)						
B	29	1	<b>5M-2894</b>	3	WASHER-HARD (10.2X18.5X2.5-MM THK)						
B	30	1	<b>9S-8752</b>	3	NUT-FULL (3/8-16-THD)						
B	31	1	<b>5P-1075</b>	3	WASHER-HARD (10.2X22.5X3-MM THK)						
B	32	1	<b>8S-9191</b>	3	BOLT (3/8-16X4-IN)						

B - USE AS REQUIRED

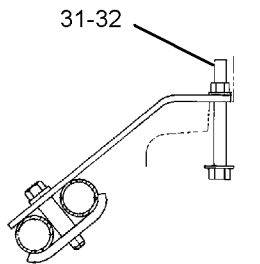
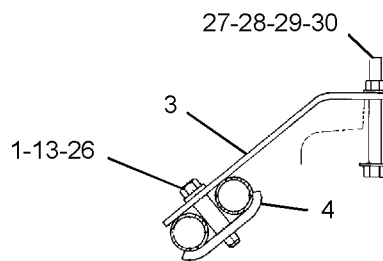
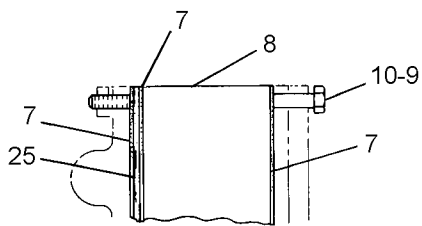
# COOLING SYSTEM

7C-9243 LINES GP-AUXILIARY SEA WATER (contd.)

102215288



LEFT SIDE VIEW



GRAPHIC #1

<END>

g01124975

# COOLING SYSTEM

## 7C-9244 LINES GP-AUXILIARY SEA WATER

S/N: 50Y647-1304

FOR USE WITH REINTJES MARINE GEAR  
AN ATTACHMENT

SMCS-1380, 3319

i01426597

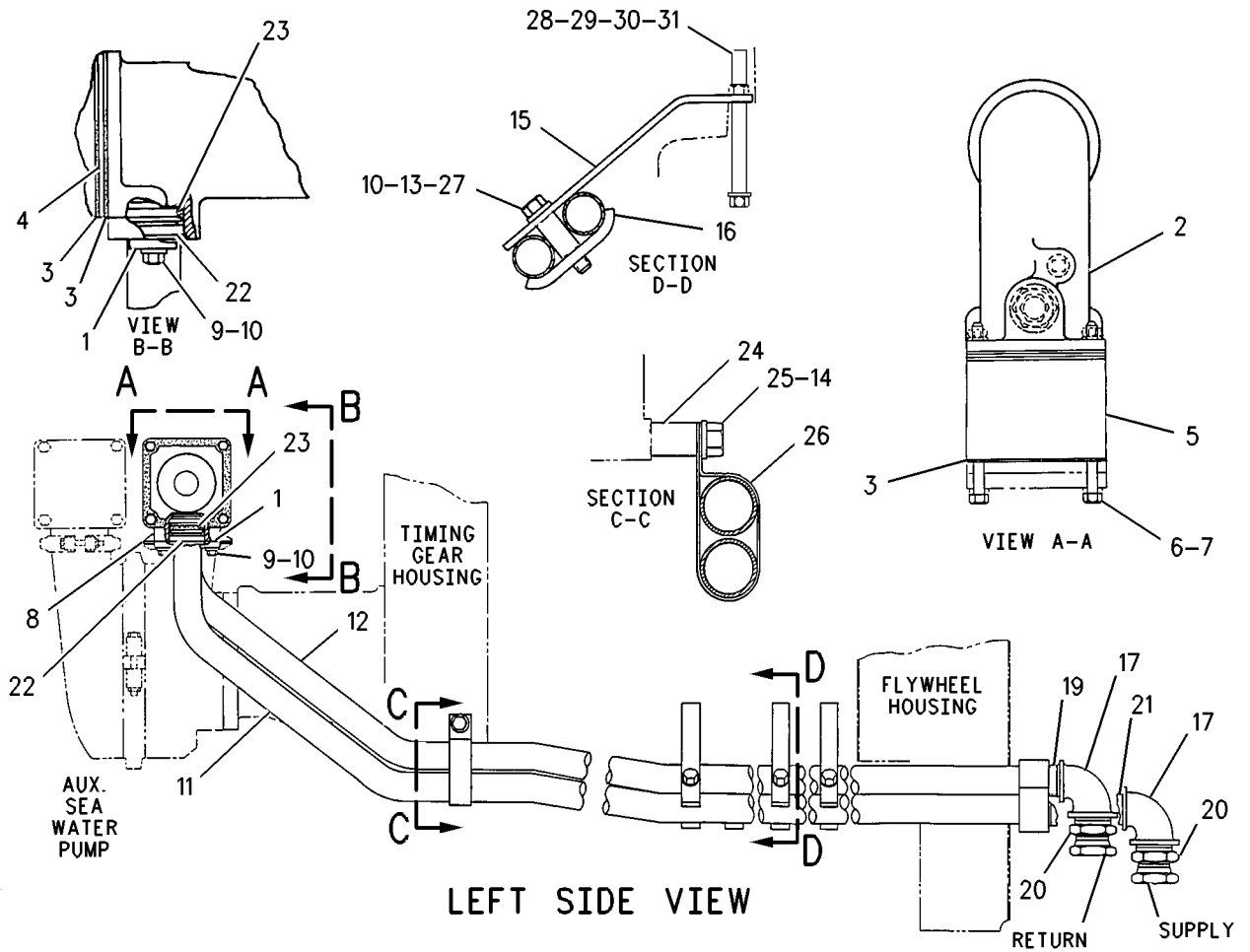
NOTE	REF NO	GRAPHIC REF	PART NUMBER	QTY	PART NAME						SEE PAGE
					1	2	3	4	5	6 (PRODUCT LEVEL)	
	1	1	<b>8N-5872</b>	4	RETAINER						
	2	1	<b>7C-9114</b>	1	ELBOW-WATER PUMP						
	3	1	<b>3P-6061</b>	6	GASKET						
	4	1	<b>5N-2205</b>	1	PLATE-ORIFICE						
	5	1	<b>5N-1844</b>	1	ADAPTER-WATER						
	6	1	<b>5F-4899</b>	4	BOLT (3/8-16X5.5-IN)						
	7	1	<b>5B-9603</b>	4	BOLT (3/8-16X5-IN)						
	8	1	<b>5N-5977</b>	1	GASKET						
	9	1	<b>1A-2029</b>	4	BOLT (3/8-16X1.125-IN)						
	10	1	<b>5M-2894</b>	7	WASHER-HARD (10.2X18.5X2.5-MM THK)						
	11	1	<b>7W-3546</b>	1	TUBE AS-RETURN						
	12	1	<b>7W-3548</b>	1	TUBE AS-SUPPLY						
	13	1	<b>0L-1143</b>	3	BOLT (3/8-16X2.5-IN)						
	14	1	<b>5P-8245</b>	1	WASHER-HARD (13.5X25.5X3-MM THK)						
	15	1	<b>143-5171</b>	3	BRACKET						
	16	1	<b>143-5170</b>	3	CLAMP						
	17	1	<b>8C-7566</b>	2	ELBOW						
	19	1	<b>2N-2013</b>	1	FITTING						
	20	1	<b>5P-2203</b>	2	CONNECTOR-PIPE						
	21	1	<b>2N-2012</b>	1	FITTING						
	22	1	<b>8N-5873</b>	2	RING-RETAINING						
	23	1	<b>4F-7389</b>	2	SEAL-O-RING						
	24	1	<b>4L-9600</b>	1	SPACER (1.25-IN THK)						
	25	1	<b>2B-0947</b>	1	BOLT (1/2-13X2.25-IN)						
	26	1	<b>6V-2384</b>	1	CLIP						
	27	1	<b>3H-4656</b>	3	SPACER (1.5-IN THK)						
B	28	1	<b>1A-5964</b>	3	BOLT (3/8-16X4.5-IN)						
B	29	1	<b>5P-1075</b>	3	WASHER-HARD (10.2X22.5X3-MM THK)						
B	30	1	<b>5M-2894</b>	3	WASHER-HARD (10.2X18.5X2.5-MM THK)						
B	31	1	<b>9S-8752</b>	3	NUT-FULL (3/8-16-THD)						

B - USE AS REQUIRED

# COOLING SYSTEM

7C-9244 LINES GP-AUXILIARY SEA WATER (contd.)

i01426597



GRAPHIC #1

<END>

g00747423

# COOLING SYSTEM

## 7W-3549 LINES GP-AUXILIARY SEA WATER

S/N: 50Y652-1304; 66Z190-578

FOR USE WITH 4W-6674 PUMP GP-AUXILIARY SEA WATER  
AN ATTACHMENT

SMCS-1380, 3319

i01319083

NOTE	REF NO	GRAPHIC REF	PART NUMBER	QTY	PART NAME						SEE PAGE
					1	2	3	4	5	6 (PRODUCT LEVEL)	
	1	1	<b>8N-5872</b>	4	RETAINER						
	2	1	<b>1A-2029</b>	4	BOLT (3/8-16X1.125-IN)						
	3	1	<b>5M-2894</b>	7	WASHER-HARD (10.2X18.5X2.5-MM THK)						
	4	1	<b>2W-6701</b>	1	ELBOW-WATER PUMP						
	5	1	<b>5N-5977</b>	1	GASKET						
	6	1	<b>8N-5873</b>	2	RING-RETAINING						
	7	1	<b>4F-7389</b>	2	SEAL-O-RING						
	8	1	<b>3H-4656</b>	3	SPACER (1.5-IN THK) (1.5IN THK)						
	9	1	<b>7W-3546</b>	1	TUBE AS-RETURN						
	10	1	<b>5N-1844</b>	1	ADAPTER-WATER						
B	11	1	<b>5B-9603</b>	4	BOLT (3/8-16X5-IN)						
	12	1	<b>7W-3548</b>	1	TUBE AS-SUPPLY						
	13	1	<b>143-5171</b>	3	BRACKET						
	14	1	<b>0L-1143</b>	3	BOLT (3/8-16X2.5-IN)						
	15	1	<b>6L-2286</b>	2	PLUG-PIPE						
	16	1	<b>2N-2011</b>	2	CONNECTOR-PIPE						
	17	1	<b>4L-1848</b>	1	TEE-SERVICE						
	18	1	<b>2N-2012</b>	1	FITTING						
	19	1	<b>143-5170</b>	3	CLAMP						
	20	1	<b>9X-8873</b>	1	BOLT (1/2-13X2.25-IN)						
	21	1	<b>5P-8245</b>	1	WASHER-HARD (13.5X25.5X3-MM THK)						
	22	1	<b>4L-9600</b>	1	SPACER (1.25-IN THK)						
	23	1	<b>6V-2384</b>	1	CLIP						
	24	1	<b>6V-6940</b>	1	TEE-PIPE						
B	25	1	<b>3P-6061</b>	4	GASKET						
B	26	1	<b>5F-4899</b>	4	BOLT (3/8-16X5.5-IN)						

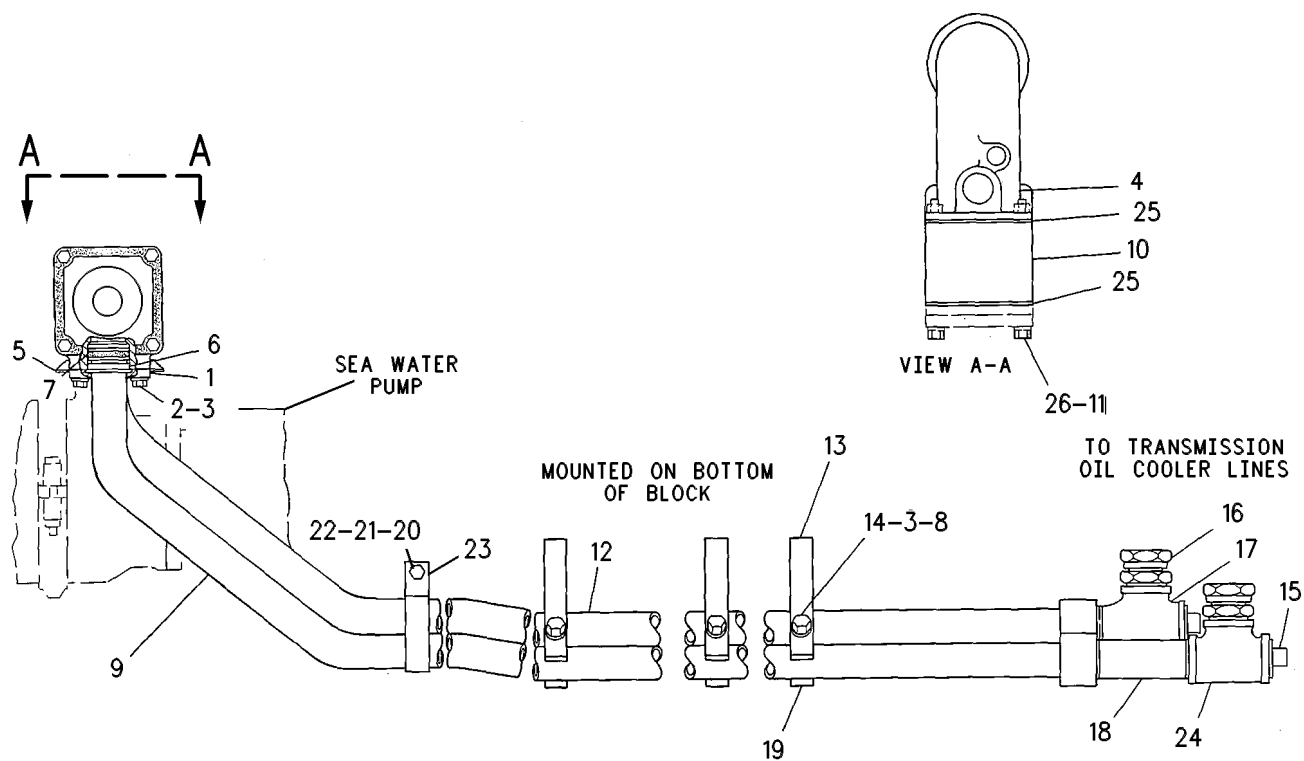
B - USE AS REQUIRED



# COOLING SYSTEM

7W-3549 LINES GP-AUXILIARY SEA WATER (contd.)

i01319083



GRAPHIC #1

<END>

g00289544

# COOLING SYSTEM

## 7W-6290 LINES GP-AUXILIARY SEA WATER AN ATTACHMENT

SMCS-1380, 3319

i00941074

NOTE	REF NO	GRAPHIC REF	PART NUMBER	QTY	PART NAME						SEE PAGE
					1	2	3	4	5	6 (PRODUCT LEVEL)	
B	1	1	<b>5F-4899</b>	4	BOLT (3/8-16X5.5-IN) (5.50 IN. LG.)						
B	2	1	<b>3P-6061</b>	6	GASKET						
	3	1	<b>5N-0409</b>	1	ADAPTER-WATER						
	4	1	<b>5N-0375</b>	1	PLATE-ORIFICE						
	5	1	<b>7W-6293</b>	1	TUBE AS-RETURN						
					(FRESH WATER RETURN)						
	6	1	<b>4F-7389</b>	2	SEAL-O-RING						
	7	1	<b>8N-5872</b>	4	RETAINER						
	8	1	<b>8N-5873</b>	2	RING-RETAINING						
	9	1	<b>0S-1594</b>	5	BOLT (3/8-16X1-IN)						
	10	1	<b>5M-2894</b>	4	WASHER-HARD (10.2X18.5X2.5-MM THK)						
	11	1	<b>0S-1592</b>	2	BOLT (5/8-11X1.25-IN)						
	12	1	<b>5P-8247</b>	3	WASHER-HARD (17X32X3.5-MM THK)						
	13	1	<b>7W-6289</b>	3	BRACKET						
	14	1	<b>4J-5627</b>	3	CLAMP (THREADED HOLE)						
	15	1	<b>9S-1366</b>	3	BOLT (1/2-13X2.5-IN)						
	16	1	<b>5P-1076</b>	2	WASHER-HARD (13.5X30X4-MM THK)						
	17	1	<b>1J-3661</b>	1	CLAMP						
	18	1	<b>5P-8245</b>	3	WASHER-HARD (13.5X25.5X3-MM THK)						
	19	1	<b>5P-8250</b>	2	WASHER (28X49X5-MM THK)						
	20	1	<b>7W-6291</b>	1	TUBE AS-SUPPLY						
					(FRESH WATER SUPPLY)						
I	21	1	<b>3N-9259</b>	2	HOSE AS						
	22	1	<b>0S-1595</b>	1	BOLT (1/2-13X1.25-IN)						
	23	1	<b>1D-4719</b>	1	NUT-FULL (1/2-13-THD)						
	24	1	<b>6V-9029</b>	1	FITTING (1-1/4-11-1/2-THD)						
	25	1	<b>6B-6766</b>	1	ELBOW						
	26	1	<b>6B-6765</b>	1	ELBOW-STREET						
	27	1	<b>1P-8016</b>	2	CLIP						
	28	1	<b>1A-8537</b>	1	BOLT (5/8-11X2.75-IN)						
	29	1	<b>5T-8224</b>	1	SPACER (17X32X12.7-MM THK)						
	30	1	<b>2N-2011</b>	2	CONNECTOR-PIPE						
	31	1	<b>2K-2385</b>	1	CLAMP-HOSE						
	32	1	<b>7W-6288</b>	1	PLATE						
	33	1	<b>1D-4717</b>	1	NUT (3/8-16-THD)						
	34	1	<b>9L-9132</b>	2	WASHER (10.2X25.5X2.5-MM THK)						
	35	1	<b>2H-3745</b>	2	BOLT (1-14X2.75-IN)						
	36	1	<b>8G-2077</b>	2	SPACER (26X45X17.5-MM THK)						
B	37	1	<b>5B-9603</b>	4	BOLT (3/8-16X5-IN) (5 IN. LG.)						
	38	1	<b>4L-1848</b>	2	TEE-SERVICE						
	39	1	<b>6L-2286</b>	2	PLUG-PIPE						

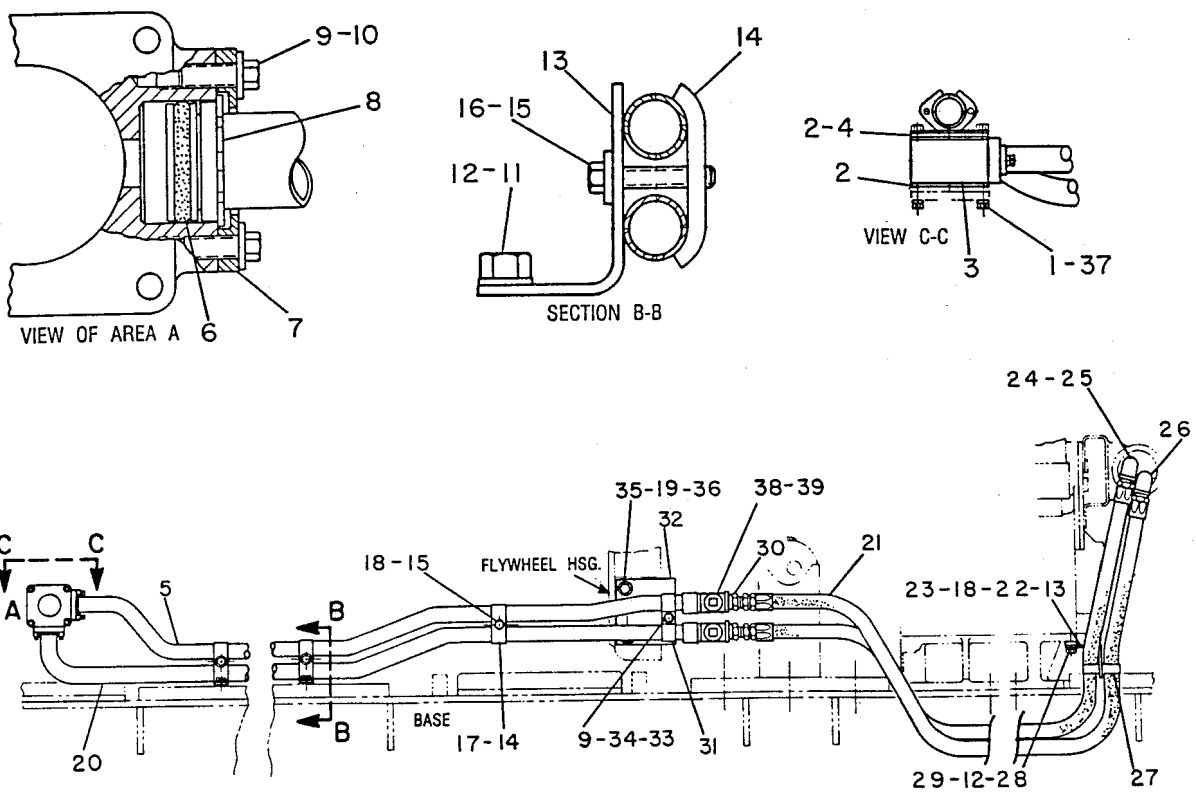
B - USE AS REQUIRED

I - REFER TO HYDRAULIC INFORMATION SYSTEM

# COOLING SYSTEM

7W-6290 LINES GP-AUXILIARY SEA WATER (contd.)

i00941074



GRAPHIC #1

<END>

g00181605

# COOLING SYSTEM

## 7W-6295 LINES GP-AUXILIARY SEA WATER AN ATTACHMENT

SMCS-1380, 3319

i00941117

NOTE	REF NO	GRAPHIC REF	PART NUMBER	QTY	PART NAME						SEE PAGE
					1	2	3	4	5	6 (PRODUCT LEVEL)	
B	1	1	<b>5B-9603</b>	4	BOLT (3/8-16X5-IN)						
B	2	1	<b>3P-6061</b>	6	GASKET						
	3	1	<b>5N-1844</b>	1	ADAPTER-WATER						
	4	1	<b>5N-2205</b>	1	PLATE-ORIFICE						
	5	1	<b>2W-6701</b>	1	ELBOW-WATER PUMP						
	6	1	<b>4F-7389</b>	2	SEAL-O-RING						
	7	1	<b>8N-5872</b>	4	RETAINER						
	8	1	<b>8N-5873</b>	2	RING-RETAINING						
	9	1	<b>0S-1594</b>	5	BOLT (3/8-16X1-IN)						
	10	1	<b>5M-2894</b>	4	WASHER-HARD (10.2X18.5X2.5-MM THK)						
	11	1	<b>0S-1592</b>	2	BOLT (5/8-11X1.25-IN)						
	12	1	<b>5P-8247</b>	3	WASHER-HARD (17X32X3.5-MM THK)						
	13	1	<b>7W-6289</b>	3	BRACKET						
	14	1	<b>4J-5627</b>	3	CLAMP (THREADED HOLE)						
	15	1	<b>9S-1366</b>	3	BOLT (1/2-13X2.5-IN)						
	16	1	<b>5P-1076</b>	2	WASHER-HARD (13.5X30X4-MM THK)						
	17	1	<b>1J-3661</b>	3	CLAMP						
	18	1	<b>5P-8245</b>	4	WASHER-HARD (13.5X25.5X3-MM THK)						
	19	1	<b>4L-1848</b>	2	TEE-SERVICE						
	20	1	<b>6L-2286</b>	2	PLUG-PIPE						
I	21	1	<b>3N-9259</b>	2	HOSE AS						
	22	1	<b>0S-1595</b>	1	BOLT (1/2-13X1.25-IN)						
	23	1	<b>1D-4719</b>	1	NUT-FULL (1/2-13-THD)						
	24	1	<b>6V-9029</b>	1	FITTING (1-1/4-11-1/2-THD)						
	25	1	<b>6B-6766</b>	1	ELBOW						
	26	1	<b>6B-6765</b>	1	ELBOW-STREET						
	27	1	<b>1P-8016</b>	2	CLIP						
	28	1	<b>1A-8537</b>	1	BOLT (5/8-11X2.75-IN)						
	29	1	<b>5T-8224</b>	1	SPACER (17X32X12.7-MM THK)						
	30	1	<b>2N-2011</b>	2	CONNECTOR-PIPE						
	31	1	<b>2K-2385</b>	1	CLAMP-HOSE						
	32	1	<b>7W-6288</b>	1	PLATE						
	33	1	<b>1D-4717</b>	1	NUT (3/8-16-THD)						
	34	1	<b>9L-9132</b>	2	WASHER (10.2X25.5X2.5-MM THK)						
	35	1	<b>2H-3745</b>	2	BOLT (1-14X2.75-IN)						
	36	1	<b>5P-8250</b>	2	WASHER (28X49X5-MM THK)						
	37	1	<b>7W-6298</b>	1	TUBE AS-RETURN (SEA WATER RETURN)						
	38	1	<b>7W-6296</b>	1	TUBE AS-SUPPLY (SEA WATER SUPPLY)						
	39	1	<b>1D-4569</b>	1	BOLT (1/2-13X4.25-IN)						
	40	1	<b>4L-9600</b>	1	SPACER (1.25-IN THK)						
	41	1	<b>5N-5977</b>	1	GASKET						
	42	1	<b>8G-2077</b>	2	SPACER (26X45X17.5-MM THK)						
B	43	1	<b>5F-4899</b>	4	BOLT (3/8-16X5.5-IN)						

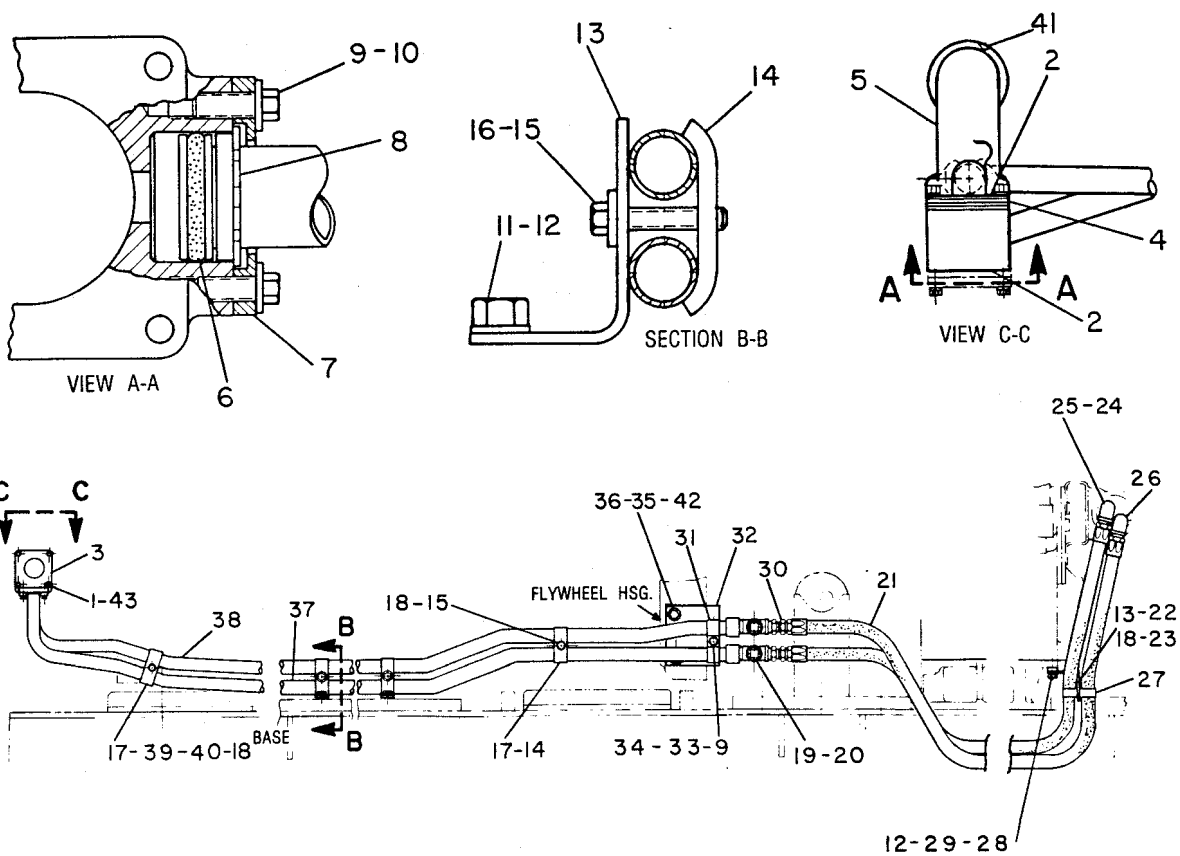
B - USE AS REQUIRED

I - REFER TO HYDRAULIC INFORMATION SYSTEM

# COOLING SYSTEM

7W-6295 LINES GP-AUXILIARY SEA WATER (contd.)

i00941117



GRAPHIC #1

<END>

g00181606

# COOLING SYSTEM

## 7W-6300 LINES GP-AUXILIARY SEA WATER AN ATTACHMENT

SMCS-1380, 3319

i00940903

NOTE	REF NO	GRAPHIC REF	PART NUMBER	QTY	PART NAME						SEE PAGE
					1	2	3	4	5	6 (PRODUCT LEVEL)	
B	1	1	<b>5B-9603</b>	4	BOLT (3/8-16X5-IN) (5IN. LG.)						
B	2	1	<b>3P-6061</b>	6	GASKET						
	3	1	<b>5N-1844</b>	1	ADAPTER-WATER						
	4	1	<b>5N-2205</b>	1	PLATE-ORIFICE						
	5	1	<b>5N-0430</b>	1	ELBOW-WATER PUMP						
	6	1	<b>4F-7389</b>	2	SEAL-O-RING						
	7	1	<b>8N-5872</b>	4	RETAINER						
	8	1	<b>8N-5873</b>	2	RING-RETAINING						
	9	1	<b>0S-1594</b>	5	BOLT (3/8-16X1-IN)						
	10	1	<b>5M-2894</b>	4	WASHER-HARD (10.2X18.5X2.5-MM THK)						
	11	1	<b>0S-1592</b>	2	BOLT (5/8-11X1.25-IN)						
	12	1	<b>5P-8247</b>	3	WASHER-HARD (17X32X3.5-MM THK)						
	13	1	<b>7W-6289</b>	3	BRACKET						
	14	1	<b>4J-5627</b>	3	CLAMP (THREADED HOLE)						
	15	1	<b>9S-1366</b>	3	BOLT (1/2-13X2.5-IN)						
	16	1	<b>5P-1076</b>	2	WASHER-HARD (13.5X30X4-MM THK)						
	17	1	<b>1J-3661</b>	3	CLAMP						
	18	1	<b>5P-8245</b>	4	WASHER-HARD (13.5X25.5X3-MM THK)						
	19	1	<b>4L-1848</b>	2	TEE-SERVICE						
	20	1	<b>6L-2286</b>	2	PLUG-PIPE						
I	21	1	<b>3N-9259</b>	2	HOSE AS						
	22	1	<b>0S-1595</b>	1	BOLT (1/2-13X1.25-IN)						
	23	1	<b>1D-4719</b>	1	NUT-FULL (1/2-13-THD)						
	24	1	<b>6V-9029</b>	1	FITTING (1-1/4-11-1/2-THD)						
	25	1	<b>6B-6766</b>	1	ELBOW						
	26	1	<b>6B-6765</b>	1	ELBOW-STREET						
	27	1	<b>1P-8016</b>	2	CLIP						
	28	1	<b>1A-8537</b>	1	BOLT (5/8-11X2.75-IN)						
	29	1	<b>5T-8224</b>	1	SPACER (17X32X12.7-MM THK)						
	30	1	<b>2N-2011</b>	2	CONNECTOR-PIPE						
	31	1	<b>2K-2385</b>	1	CLAMP-HOSE						
	32	1	<b>7W-6288</b>	1	PLATE						
	33	1	<b>1D-4717</b>	1	NUT (3/8-16-THD)						
	34	1	<b>9L-9132</b>	2	WASHER (10.2X25.5X2.5-MM THK)						
	35	1	<b>2H-3745</b>	2	BOLT (1-14X2.75-IN)						
	36	1	<b>5P-8250</b>	2	WASHER (28X49X5-MM THK)						
	37	1	<b>7W-6303</b>	1	TUBE AS-RETURN (SEA WATER RETURN)						
	38	1	<b>7W-6301</b>	1	TUBE AS-SUPPLY (SEA WATER SUPPLY)						
	39	1	<b>1D-4569</b>	1	BOLT (1/2-13X4.25-IN)						
	40	1	<b>4L-9600</b>	1	SPACER (1.25-IN THK)						
	41	1	<b>8B-6283</b>	1	GASKET						
	42	1	<b>8G-2077</b>	2	SPACER (26X45X17.5-MM THK)						
B	43	1	<b>5F-4899</b>	4	BOLT (3/8-16X5.5-IN) (5.5IN. LG.)						

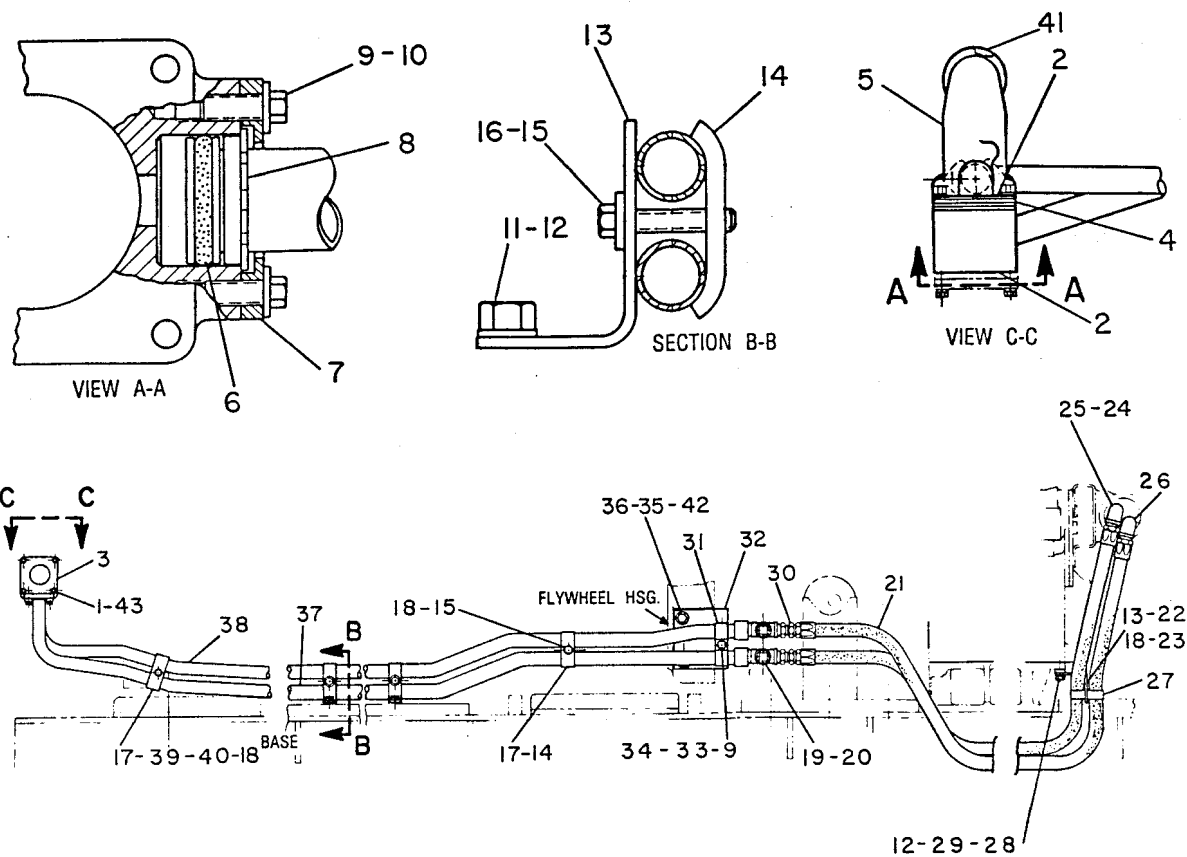
B - USE AS REQUIRED

I - REFER TO HYDRAULIC INFORMATION SYSTEM

# COOLING SYSTEM

7W-6300 LINES GP-AUXILIARY SEA WATER (contd.)

100940903



GRAPHIC #1

<END>

g00181607

# COOLING SYSTEM

## 8N-8411 LINES GP-AUXILIARY SEA WATER

FOR USE WITH 4W-6673-PAGE: 728

AN ATTACHMENT

TYPE 1

SMCS-1380, 3319

i01326472

NOTE	REF NO	GRAPHIC REF	PART NUMBER	QTY	PART NAME						SEE PAGE
					1	2	3	4	5	6 (PRODUCT LEVEL)	
	1	1	<b>8N-5872</b>	4	RETAINER						
C	2	1	<b>5N-0430</b>	1	ELBOW-WATER PUMP						
CB	3	1	<b>3P-6061</b>	6	GASKET						
	4	1	<b>5N-2205</b>	1	PLATE-ORIFICE						
	5	1	<b>5N-1844</b>	1	ADAPTER-WATER						
CB	6	1	<b>5F-4899</b>	4	BOLT (3/8-16X5.5-IN)						
B	7	1	<b>5B-9603</b>	4	BOLT (3/8-16X5-IN)						
	8	1	<b>8B-6283</b>	1	GASKET						
	9	1	<b>1A-2029</b>	4	BOLT (3/8-16X1.125-IN)						
C	10	1	<b>5M-2894</b>	4	WASHER-HARD (10.2X18.5X2.5-MM THK)						
C	11	1	<b>5N-0429</b>	1	TUBE AS (SUPPLY)						
C	12	1	<b>5N-0427</b>	1	TUBE AS (RETURN)						
	13	1	<b>9S-1366</b>	3	BOLT (1/2-13X2.5-IN)						
	14	1	<b>5P-8245</b>	4	WASHER-HARD (13.5X25.5X3-MM THK)						
	15	1	<b>5N-1953</b>	3	BRACKET						
	16	1	<b>4J-5627</b>	3	CLAMP						
C	17	1	<b>6V-6940</b>	1	TEE-PIPE						
C	19	1	<b>4L-1848</b>	1	TEE-SERVICE						
	20	1	<b>2N-2011</b>	2	CONNECTOR-PIPE						
	21	1	<b>2N-2012</b>	1	FITTING						
	22	1	<b>8N-5873</b>	2	RING-RETAINING						
	23	1	<b>4F-7389</b>	2	SEAL-O-RING						
	24	1	<b>5S-5955</b>	1	BUSHING-TERMINAL						
	25	1	<b>0S-1587</b>	1	BOLT (1/2-13X1.75-IN)						
C	26	1	<b>6V-2384</b>	1	CLIP						
C	27	1	<b>6L-2286</b>	2	PLUG-PIPE						

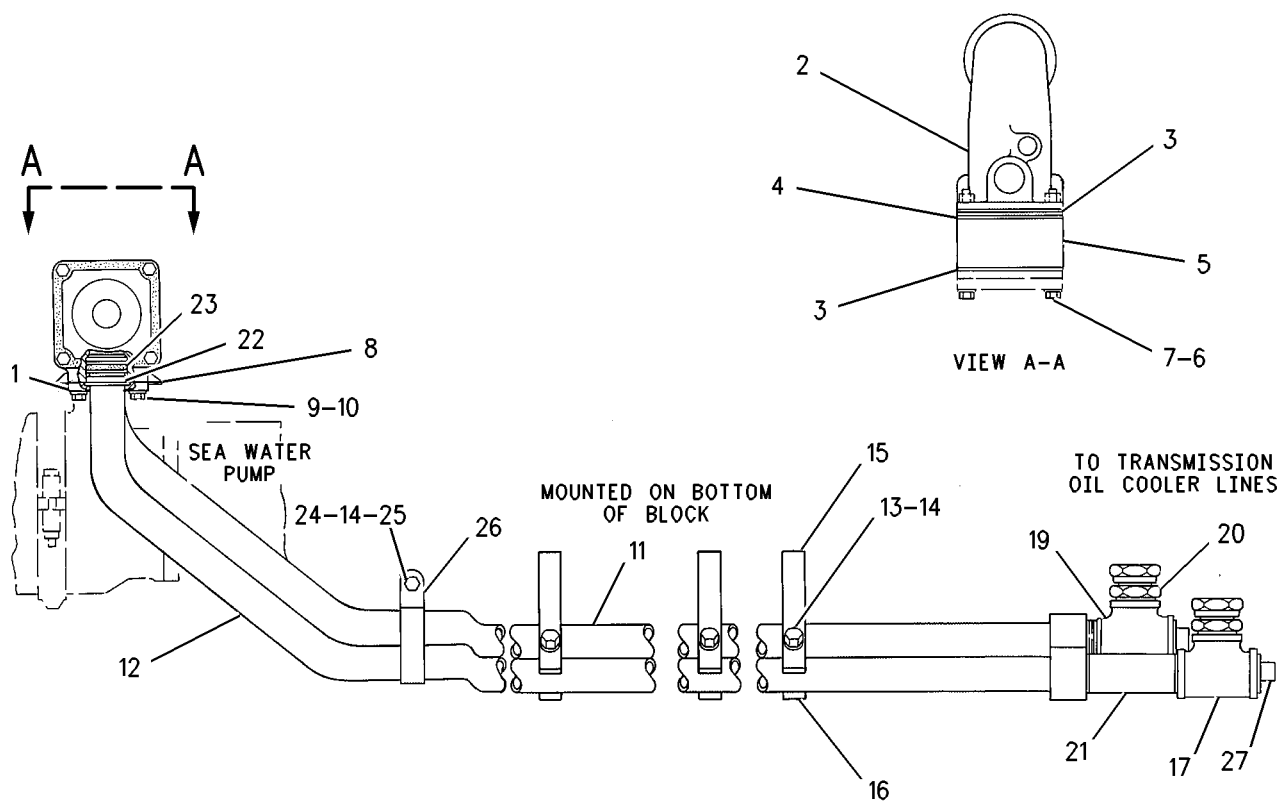
B - USE AS REQUIRED  
C - CHANGE FROM PREVIOUS TYPE



# COOLING SYSTEM

8N-8411 LINES GP-AUXILIARY SEA WATER (contd.)

i01326472



GRAPHIC #1

<END>

g00701924

# COOLING SYSTEM

## 8N-8411 LINES GP-AUXILIARY SEA WATER

FOR USE WITH 4W-6673-PAGE: 728

AN ATTACHMENT

TYPE 2

SMCS-1380, 3319

i01324652

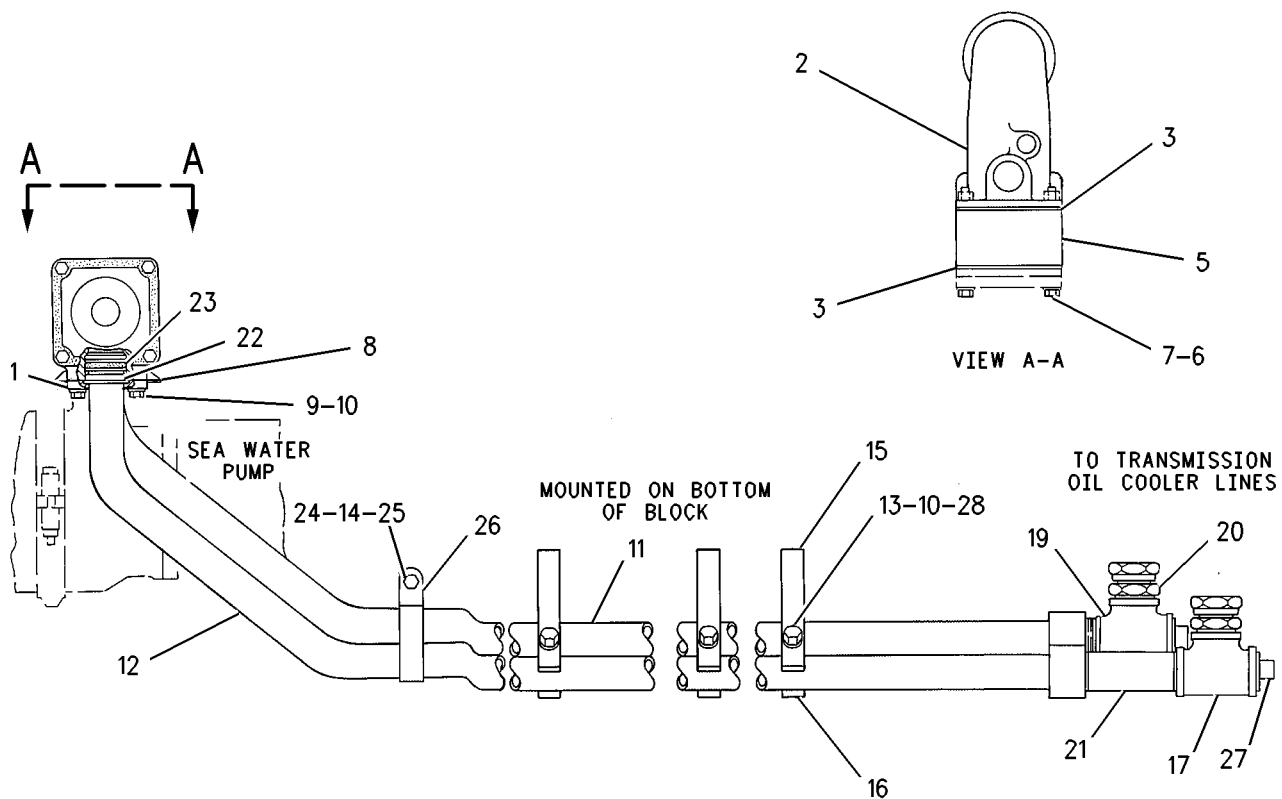
NOTE	REF NO	GRAPHIC REF	PART NUMBER	QTY	PART NAME						SEE PAGE
					1	2	3	4	5	6 (PRODUCT LEVEL)	
	1	1	<b>8N-5872</b>	4	RETAINER						
	2	1	<b>5N-0430</b>	1	ELBOW-WATER PUMP						
BC	3	1	<b>3P-6061</b>	4	GASKET						
	5	1	<b>5N-1844</b>	1	ADAPTER-WATER						
B	6	1	<b>5F-4899</b>	4	BOLT (3/8-16X5.5-IN)						
B	7	1	<b>5B-9603</b>	4	BOLT (3/8-16X5-IN)						
	8	1	<b>8B-6283</b>	1	GASKET						
	9	1	<b>1A-2029</b>	4	BOLT (3/8-16X1.125-IN)						
C	10	1	<b>5M-2894</b>	7	WASHER-HARD (10.2X18.5X2.5-MM THK)						
	11	1	<b>5N-0429</b>	1	TUBE AS (SUPPLY)						
	12	1	<b>5N-0427</b>	1	TUBE AS (RETURN)						
C	13	1	<b>0L-1143</b>	3	BOLT (3/8-16X2.5-IN)						
C	14	1	<b>5P-8245</b>	1	WASHER-HARD (13.5X25.5X3-MM THK)						
C	15	1	<b>143-5171</b>	3	BRACKET						
C	16	1	<b>143-5170</b>	3	CLAMP						
	17	1	<b>6V-6940</b>	1	TEE-PIPE						
	19	1	<b>4L-1848</b>	1	TEE-SERVICE						
	20	1	<b>2N-2011</b>	2	CONNECTOR-PIPE						
	21	1	<b>2N-2012</b>	1	FITTING						
	22	1	<b>8N-5873</b>	2	RING-RETAINING						
	23	1	<b>4F-7389</b>	2	SEAL-O-RING						
	24	1	<b>5S-5955</b>	1	BUSHING-TERMINAL						
	25	1	<b>0S-1587</b>	1	BOLT (1/2-13X1.75-IN)						
	26	1	<b>6V-2384</b>	1	CLIP						
	27	1	<b>6L-2286</b>	2	PLUG-PIPE						
C	28	1	<b>3H-4656</b>	3	SPACER (1.5-IN THK)						

B - USE AS REQUIRED  
 C - CHANGE FROM PREVIOUS TYPE

# COOLING SYSTEM

8N-8411 LINES GP-AUXILIARY SEA WATER (contd.)

101324652



GRAPHIC #1

<END>

g00702377

# COOLING SYSTEM

## 8N-8540 LINES GP-AUXILIARY SEA WATER AN ATTACHMENT

SMCS-1380, 3319

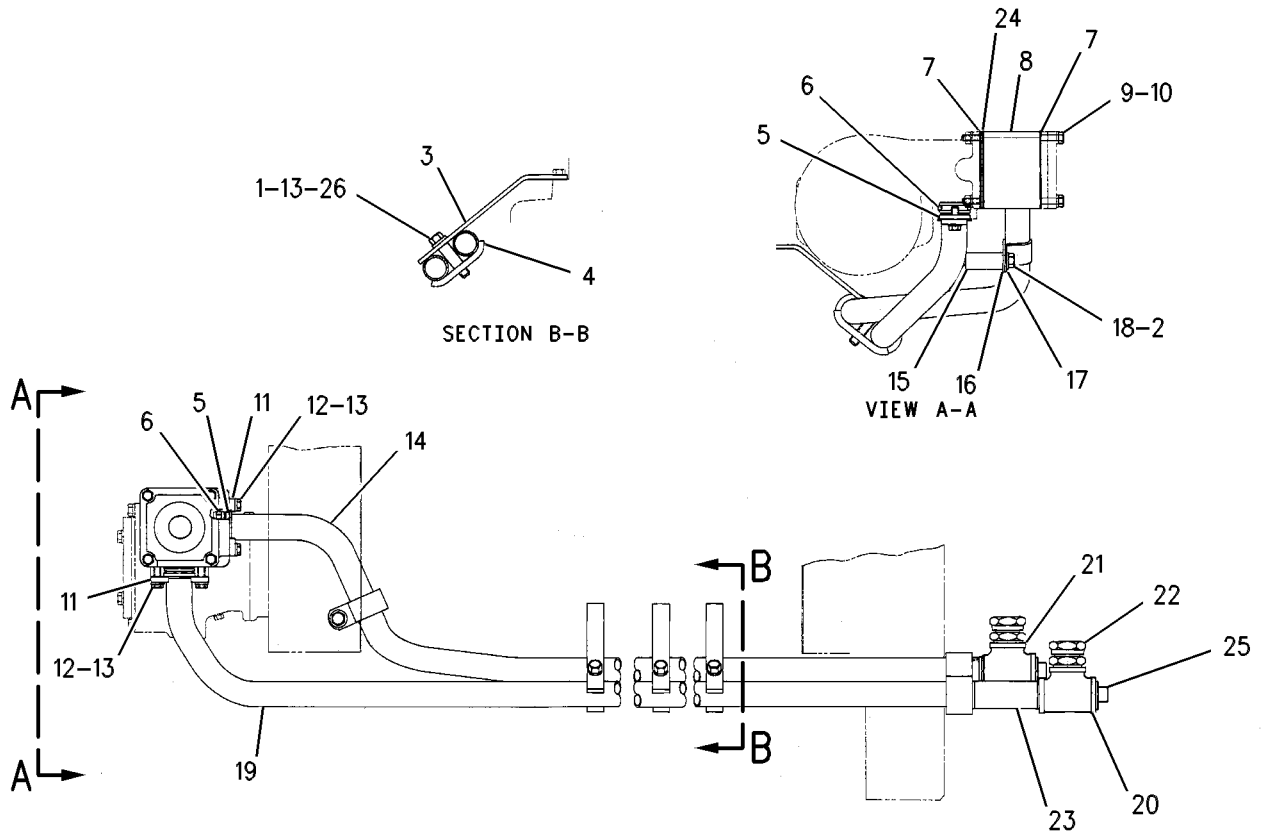
i01319110

NOTE	REF NO	GRAPHIC REF	PART NUMBER	QTY	PART NAME						SEE PAGE
					1	2	3	4	5	6 (PRODUCT LEVEL)	
	1	1	<b>0L-1143</b>	3	BOLT (3/8-16X2.5-IN)						
	2	1	<b>5P-8245</b>	1	WASHER-HARD (13.5X25.5X3-MM THK)						
	3	1	<b>143-5171</b>	3	BRACKET						
	4	1	<b>143-5170</b>	3	CLAMP						
	5	1	<b>8N-5873</b>	2	RING-RETAINING						
	6	1	<b>4F-7389</b>	2	SEAL-O-RING						
	7	1	<b>3P-6061</b>	6	GASKET						
	8	1	<b>5N-0409</b>	1	ADAPTER-WATER						
	9	1	<b>5F-4899</b>	4	BOLT (3/8-16X5.5-IN)						
	10	1	<b>5B-9603</b>	4	BOLT (3/8-16X5-IN)						
	11	1	<b>8N-5872</b>	4	RETAINER						
	12	1	<b>1A-2029</b>	4	BOLT (3/8-16X1.125-IN)						
	13	1	<b>5M-2894</b>	7	WASHER-HARD (10.2X18.5X2.5-MM THK)						
	14	1	<b>8N-8539</b>	1	TUBE AS-RETURN						
	15	1	<b>2G-6236</b>	1	SPACER (0.562X1X2.22-IN THK)						
	16	1	<b>7K-1402</b>	1	BRACKET						
	17	1	<b>7K-1401</b>	1	CLIP						
	18	1	<b>0V-0375</b>	1	BOLT (1/2-13X3.25-IN)						
	19	1	<b>8N-8537</b>	1	TUBE AS-SUPPLY						
	20	1	<b>6V-6940</b>	1	TEE-PIPE						
	21	1	<b>4L-1848</b>	1	TEE-SERVICE						
	22	1	<b>2N-2011</b>	2	CONNECTOR-PIPE						
	23	1	<b>2N-2012</b>	1	FITTING						
	24	1	<b>5N-0375</b>	1	PLATE-ORIFICE						
	25	1	<b>6L-2286</b>	2	PLUG-PIPE						
	26	1	<b>3H-4656</b>	3	SPACER (1.5-IN THK)						

# COOLING SYSTEM

8N-8540 LINES GP-AUXILIARY SEA WATER (contd.)

i01319110



GRAPHIC #1

<END>

g00478942

# COOLING SYSTEM

## 101-1260 LINES GP-TURBOCHARGER WATER

S/N: 50Y647-1304

PART OF 376-4849 ENGINE AR-COMPLETE

SMCS-1052, 1380

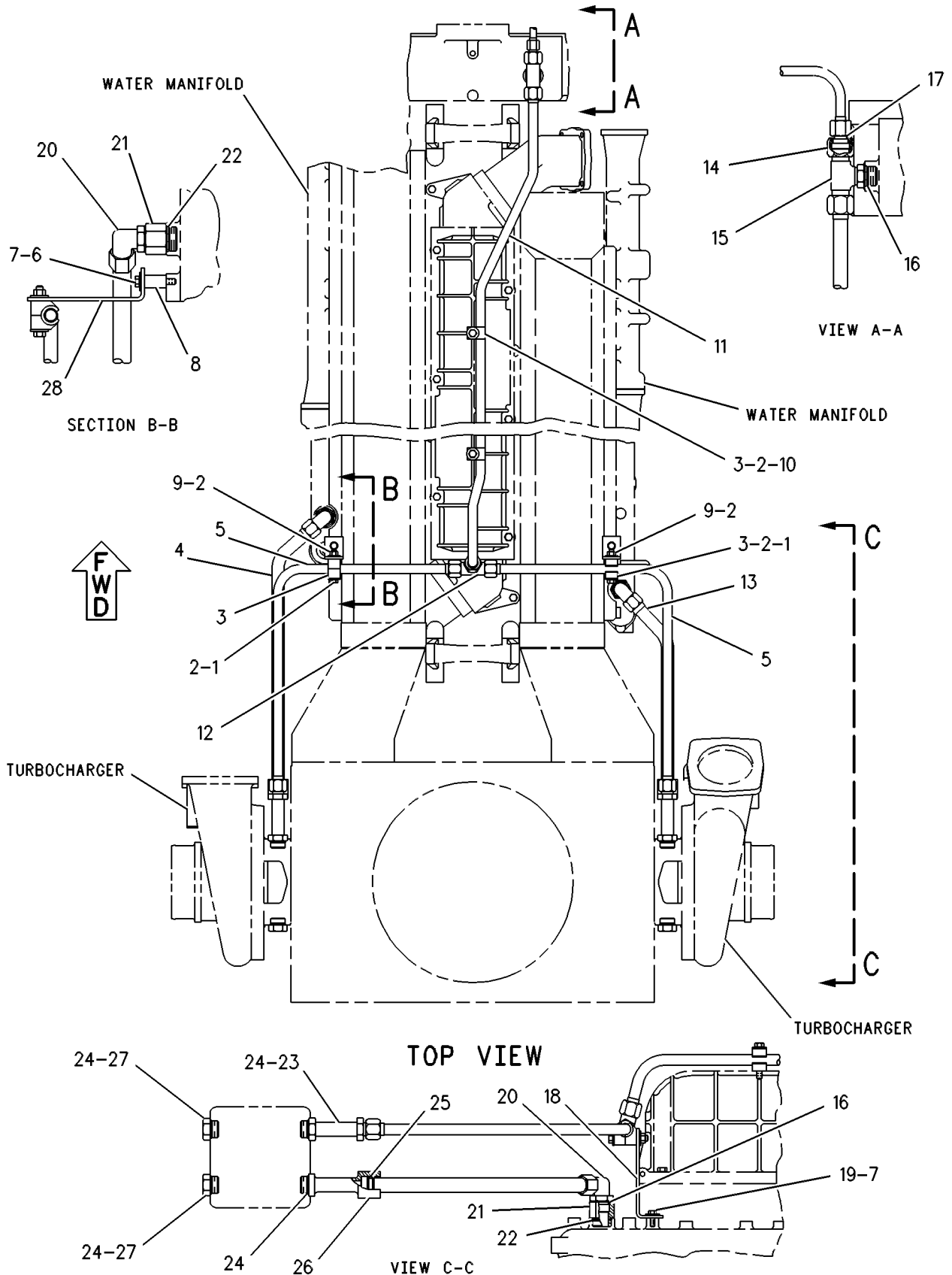
i01771659

NOTE	REF NO	GRAPHIC REF	PART NUMBER	QTY	PART NAME						SEE PAGE
					1	2	3	4	5	6 (PRODUCT LEVEL)	
	1	1	<b>0L-1143</b>	2	BOLT (3/8-16X2.5-IN)						
	2	1	<b>9L-9132</b>	6	WASHER (10.2X25.5X2.5-MM THK)						
	3	1	<b>4P-3563</b>	8	CLAMP AS						
					(EACH INCLUDES)						
		1	<b>4P-0726</b>	1	CLAMP						
		1	<b>108-1434</b>	1	GROMMET						
4		1	<b>4P-5297</b>	1	TUBE AS						
5		1	<b>111-3825</b>	2	TUBE AS						
6		1	<b>2B-2694</b>	1	BOLT (5/16-18X2-IN)						
7		1	<b>9N-0869</b>	2	WASHER-HARD (8.8X25.5X2-MM THK)						
8		1	<b>7K-3377</b>	1	PIPE						
9		1	<b>9S-8752</b>	2	NUT-FULL (3/8-16-THD)						
10		1	<b>0L-2070</b>	2	BOLT (3/8-16X2.25-IN)						
11		1	<b>111-3824</b>	1	TUBE AS						
12		1	<b>005-9702</b>	1	TEE-UNION						
13		1	<b>4P-5296</b>	1	TUBE AS						
14		1	<b>8M-0744</b>	1	NUT-FLARED (1-1/16-12-THD)						
15		1	<b>2P-1297</b>	1	TEE (FLARED)						
16		1	<b>6V-5050</b>	3	SEAL-O-RING						
17		1	<b>8M-0745</b>	1	REDUCER-FLARED						
18		1	<b>4P-2163</b>	1	BRACKET						
19		1	<b>2B-2695</b>	1	BOLT (5/16-18X0.875-IN)						
20		1	<b>008-8381</b>	2	ELBOW						
21		1	<b>6V-0301</b>	2	ADAPTER						
22		1	<b>5P-7701</b>	2	SEAL-O-RING						
23		1	<b>7E-1456</b>	2	CONNECTOR						
24		1	<b>6V-1903</b>	8	SEAL-O-RING						
25		1	<b>7L-4773</b>	2	SEAL-O-RING						
26		1	<b>4P-4616</b>	2	COUPLING						
27		1	<b>9S-4188</b>	4	PLUG						
28		1	<b>7E-8973</b>	1	BRACKET						

# COOLING SYSTEM

101-1260 LINES GP-TURBOCHARGER WATER (contd.)

i01771659



GRAPHIC #1

<END>

g00249651

# COOLING SYSTEM

## 107-0475 LINES GP-WATER-UPPER

S/N: 50Y647-1304

PART OF 357-0858, 376-4849 ENGINE AR-COMPLETE

SMCS-1355, 1380, 1393

i05052990

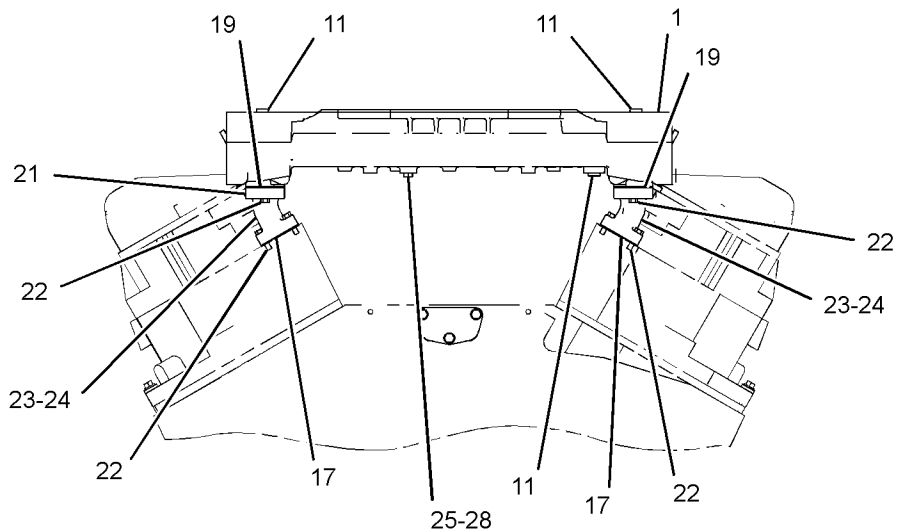
NOTE	REF NO	GRAPHIC REF	PART NUMBER	QTY	PART NAME	SEE PAGE
					1 2 3 4 5 6 (PRODUCT LEVEL)	
	1	1	<b>111-9374</b>	1	HOUSING-REGULATOR	
	2	1	<b>5M-2894</b>	6	WASHER-HARD (10.2X18.5X2.5-MM THK)	
	3	1	<b>154-1617</b>	1	MANIFOLD (FRONT, RH)	
	4	1	<b>4P-3897</b>	2	MANIFOLD (INTERMEDIATE)	
	5	1	<b>122-8856</b>	2	GASKET	
	6	1	<b>7N-3368</b>	2	GASKET	
	7	1	<b>8T-6765</b>	2	PLUG-PIPE (1/4-18-THD)	
	8	1	<b>8T-6761</b>	2	PLUG-PIPE (1-11-1/2 NPT THD)	
	9	1	<b>7N-3297</b>	2	COVER	
	10	1	<b>0S-1594</b>	30	BOLT (3/8-16X1-IN)	
	11	1	<b>8T-6762</b>	4	PLUG-PIPE (1/2-14-THD)	
	12	1	<b>133-8382</b>	12	BRACKET	
	13	1	<b>0S-1618</b>	46	BOLT (5/16-18X1-IN)	
	14	1	<b>9M-1974</b>	46	WASHER-HARD (8.8X16X2-MM THK)	
	15	1	<b>154-1616</b>	1	MANIFOLD (FRONT, LH)	
	16	1	<b>243-2288</b>	4	GASKET	
	17	1	<b>127-2176</b>	12	SEAL-INTEGRAL	
	18	1	<b>111-8276</b>	1	MANIFOLD (REAR, LH)	
	19	1	<b>241-5928</b>	12	GASKET	
	20	1	<b>111-8277</b>	1	MANIFOLD (REAR, RH)	
	21	1	<b>2W-3146</b>	12	FLANGE	
	22	1	<b>1B-7182</b>	48	BOLT (5/16-18X1.25-IN)	
	23	1	<b>8N-7639</b>	12	ELBOW	
	24	1	<b>6V-9769</b>	12	SEAL-O-RING	
	25	1	<b>6V-9027</b>	1	SEAL-O-RING	
	26	1	<b>6V-6609</b>	2	SEAL-O-RING	
	27	1	<b>9S-8005</b>	2	PLUG (3/4-16-THD)	
	28	1	<b>9S-4182</b>	1	PLUG (7/16-20-THD)	



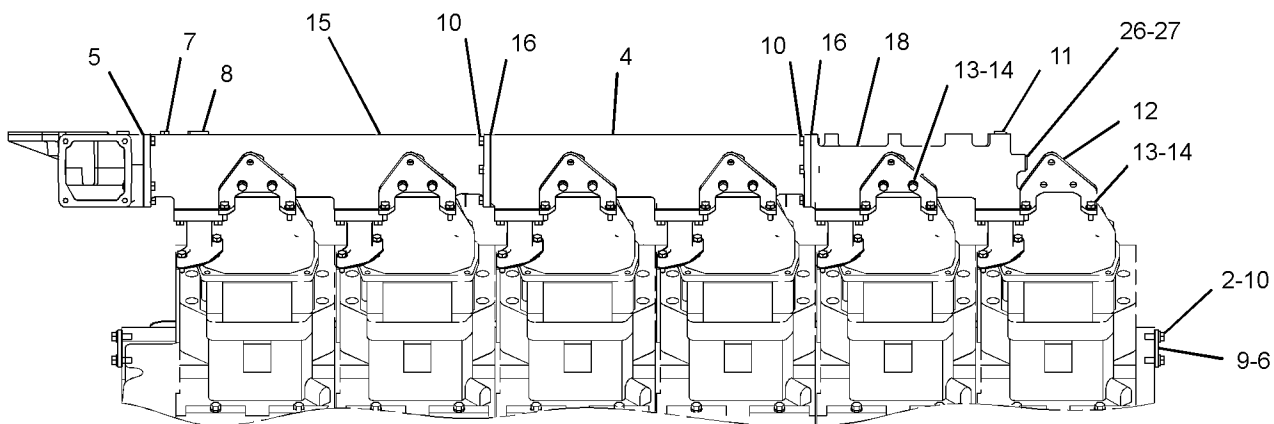
# COOLING SYSTEM

107-0475 LINES GP-WATER (contd.)

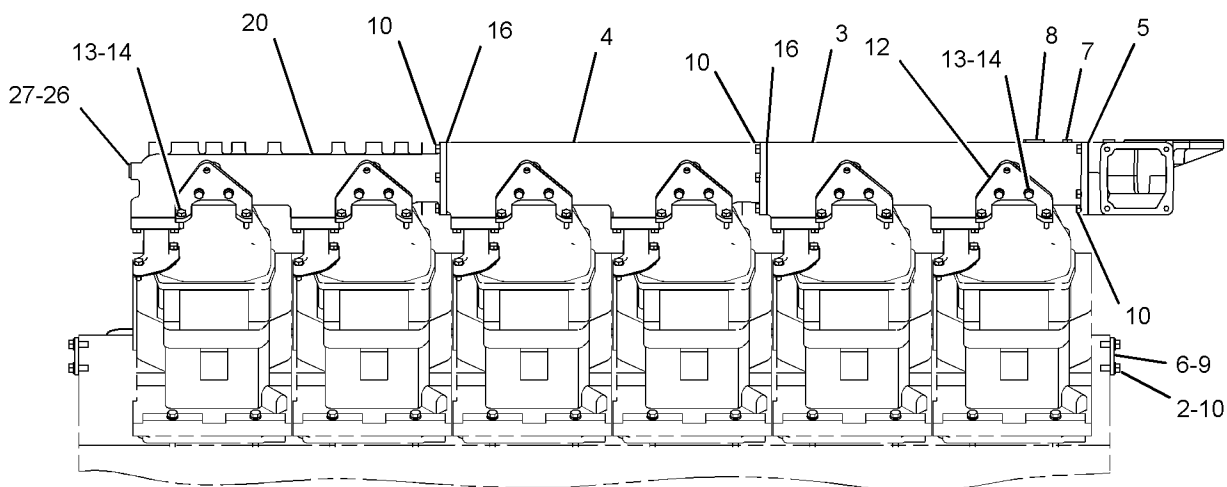
i05052990



FRONT VIEW OF ENGINE



LEFT SIDE VIEW OF ENGINE



RIGHT SIDE VIEW OF ENGINE

GRAPHIC #1

<END>

g03228298

# COOLING SYSTEM

## 114-3376 LINES GP-WATER-LOWER

S/N: 50Y647-1304

PART OF 357-0858, 376-4849 ENGINE AR-COMPLETE

SMCS-1355, 1380, 1393

i07072464

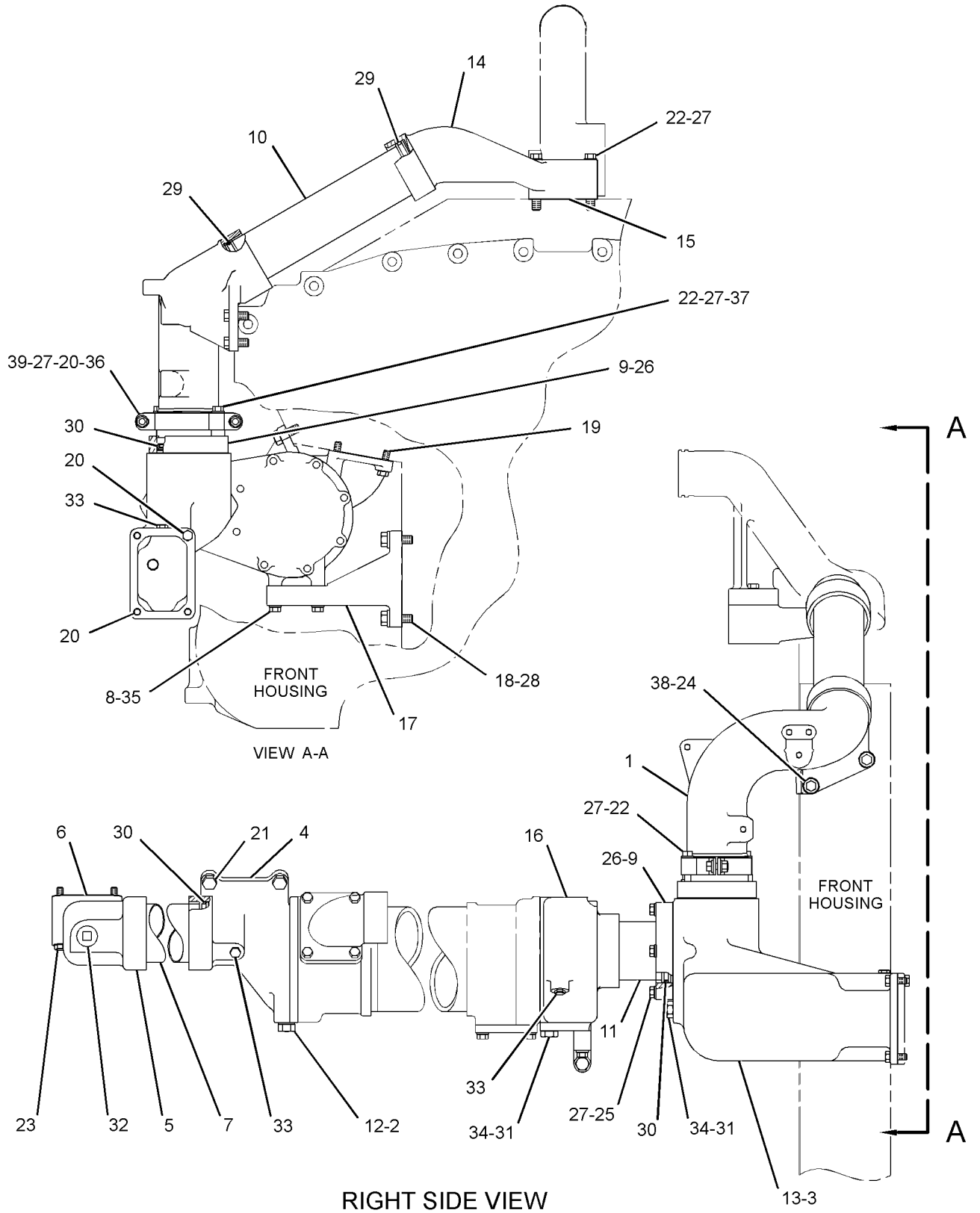
NOTE	REF NO	GRAPHIC REF	PART NUMBER	QTY	PART NAME						SEE PAGE
					1	2	3	4	5	6 (PRODUCT LEVEL)	
	1	1	<b>390-7470</b>	1	ELBOW						
	2	1	<b>4B-8407</b>	1	GASKET-COPPER						
	3	1	<b>7N-4932</b>	1	GASKET						
	4	1	<b>7N-4941</b>	1	BONNET-OIL COOLER						
	5	1	<b>7N-4944</b>	1	ELBOW						
	6	1	<b>7N-4945</b>	1	GASKET						
	7	1	<b>7N-9044</b>	1	TUBE						
	8	1	<b>8B-9725</b>	2	BOSS						
	9	1	<b>8N-0386</b>	2	FLANGE						
	10	1	<b>8N-1989</b>	1	TUBE						
	11	1	<b>8N-7641</b>	1	TUBE						
	12	1	<b>9M-4202</b>	1	PLUG-DRAIN						
	13	1	<b>120-7421</b>	1	ADAPTER						
	14	1	<b>141-9285</b>	1	ELBOW						
	15	1	<b>230-1072</b>	1	GASKET						
C	16	1	<b>278-0539</b>	1	HOUSING-OIL COOLER						
C	17	1	<b>278-0540</b>	1	BRACKET						
	18	1	<b>0S-1585</b>	2	BOLT (1/2-13X1.5-IN)						
	19	1	<b>0S-1588</b>	2	BOLT (3/8-16X1.25-IN)						
	20	1	<b>0S-1594</b>	6	BOLT (3/8-16X1-IN)						
	21	1	<b>0S-1595</b>	2	BOLT (1/2-13X1.25-IN)						
	22	1	<b>0S-1619</b>	4	BOLT (3/8-16X3-IN)						
	23	1	<b>0T-0065</b>	2	BOLT (3/8-16X3.5-IN)						
	24	1	<b>1A-2029</b>	2	BOLT (3/8-16X1.125-IN)						
	25	1	<b>2A-4639</b>	5	BOLT (3/8-16X1.625-IN)						
	26	1	<b>4N-1320</b>	2	GASKET (ADAPTER)						
C	27	1	<b>5M-2894</b>	13	WASHER-HARD (10.2X18.5X2.5-MM THK)						
	28	1	<b>5P-8245</b>	2	WASHER-HARD (13.5X25.5X3-MM THK)						
	29	1	<b>6V-1454</b>	2	SEAL-O-RING						
	30	1	<b>6V-5066</b>	5	SEAL-O-RING						
	31	1	<b>6V-6609</b>	2	SEAL-O-RING						
	32	1	<b>8T-6761</b>	1	PLUG-PIPE (1-11-1/2 NPT THD)						
	33	1	<b>8T-6765</b>	3	PLUG-PIPE (1/4-18-THD)						
	34	1	<b>9S-4185</b>	2	PLUG (3/4-16-THD)						
C	35	1	<b>1A-1460</b>	2	BOLT (1/2-13X2-IN)						
	36	1	<b>264-8272</b>	2	CLAMP AS						
	37	1	<b>091-0081</b>	1	SPACER (10.5X20X10-MM THK)						
	38	1	<b>9X-6458</b>	2	WASHER-HARD (10.2X22.5X3-MM THK)						
	39	1	<b>9S-8752</b>	2	NUT-FULL (3/8-16-THD)						

C - CHANGE FROM PREVIOUS TYPE

# COOLING SYSTEM

114-3376 LINES GP-WATER (contd.)

i07072464



GRAPHIC #1

<END>

g03327703

# COOLING SYSTEM

## 120-7422 LINES GP-WATER-AFTERCOOLER

S/N: 50Y647-1304

PART OF 376-4849 ENGINE AR-COMPLETE

SMCS-1355, 1380, 1393

i05423882

NOTE	REF NO	GRAPHIC REF	PART NUMBER	QTY	PART NAME 1 2 3 4 5 6 (PRODUCT LEVEL)	SEE PAGE
	1	2	<b>1N-3872</b>	1	SUPPORT	
	2	1	<b>2V-4387</b>	2	SPACER (10.312X25.4X23.11-MM THK)	
	3	1	<b>2W-5225</b>	2	FLANGE	
	4	2	<b>3P-6061</b>	1	GASKET	
	5	2	<b>4W-0530</b>	6	RING-RETAINING	
	6	2	<b>4W-0531</b>	12	RETAINER	
	7	2	<b>7C-9597</b>	4	FLANGE	
	8	2	<b>8L-5423</b>	1	SPACER (0.406X1X0.712-IN THK)	
	9	2	<b>8X-2041</b>	1	FLANGE	
	10	2	<b>110-6995</b>	1	PLATE	
	11	1	<b>110-9538</b>	1	TUBE	
	12	1	<b>111-5052</b>	1	BRACKET	
	13	2	<b>111-5056</b>	1	CONNECTOR	
	14	2	<b>114-2040</b>	1	ELBOW	
	15	1	<b>116-3249</b>	1	BRACKET	
	16	2	<b>120-4344</b>	1	ADAPTER	
	17	2	<b>120-7425</b>	1	FLANGE	
	18	2	<b>121-2022</b>	1	TUBE	
	19	1	<b>121-2023</b>	1	TUBE	
	20	1	<b>129-3083</b>	1	ELBOW	
	21	1,2	<b>196-5052</b>	5	CLIP (SLOT)	
	22	1,2	<b>196-5053</b>	5	CLIP (TAB)	
	23	2	<b>214-0731</b>	1	BRACKET	
Y	24	1	<b>216-6217</b>	1	HOUSING & REGULATOR GP (AFTERCOOLER)	643
	25	2	<b>230-1072</b>	1	GASKET	
C	26	2	<b>284-1460</b>	1	SUPPORT AS	
	27	1	<b>030-3978</b>	1	CONNECTOR	
	28	2	<b>0L-1351</b>	8	BOLT (3/8-16X0.875-IN)	
	29	2	<b>0L-2070</b>	7	BOLT (3/8-16X2.25-IN)	
	30	1	<b>0S-1588</b>	2	BOLT (3/8-16X1.25-IN)	
	31	1	<b>0S-1590</b>	2	BOLT (3/8-16X2-IN)	
	32	2	<b>0S-1591</b>	2	BOLT (3/8-16X1.5-IN)	
	33	1,2	<b>0S-1594</b>	13	BOLT (3/8-16X1-IN)	
	34	1	<b>0T-0065</b>	2	BOLT (3/8-16X3.5-IN)	
	35	1	<b>187-4606</b>	1	HOSE AS	
	36	2	<b>1A-2029</b>	2	BOLT (3/8-16X1.125-IN)	
	37	2	<b>1A-5822</b>	2	BOLT (1/2-13X2.75-IN)	
	38	2	<b>1C-2251</b>	2	BOLT (3/8-16X1.87-IN)	
	39	1	<b>1F-7958</b>	8	NUT-FULL (1/2-13-THD)	
	40	1	<b>2M-0849</b>	1	WASHER-HARD (13.5X25.5X5-MM THK)	
	41	1,2	<b>3B-1915</b>	6	BOLT (3/8-16X1.375-IN)	
	42	1	<b>3J-7354</b>	2	SEAL-O-RING	
	43	2	<b>3V-3308</b>	2	WASHER-HARD (10.2X20.5X2.5-MM THK)	
	44	1	<b>4F-7387</b>	1	SEAL-O-RING	
	45	1	<b>5B-0841</b>	4	BOLT (5/8-18X1.75-IN)	
	46	2	<b>5B-2638</b>	2	BOLT (3/8-16X5.25-IN)	
	47	2	<b>5B-4399</b>	1	SEAL-O-RING	

# COOLING SYSTEM

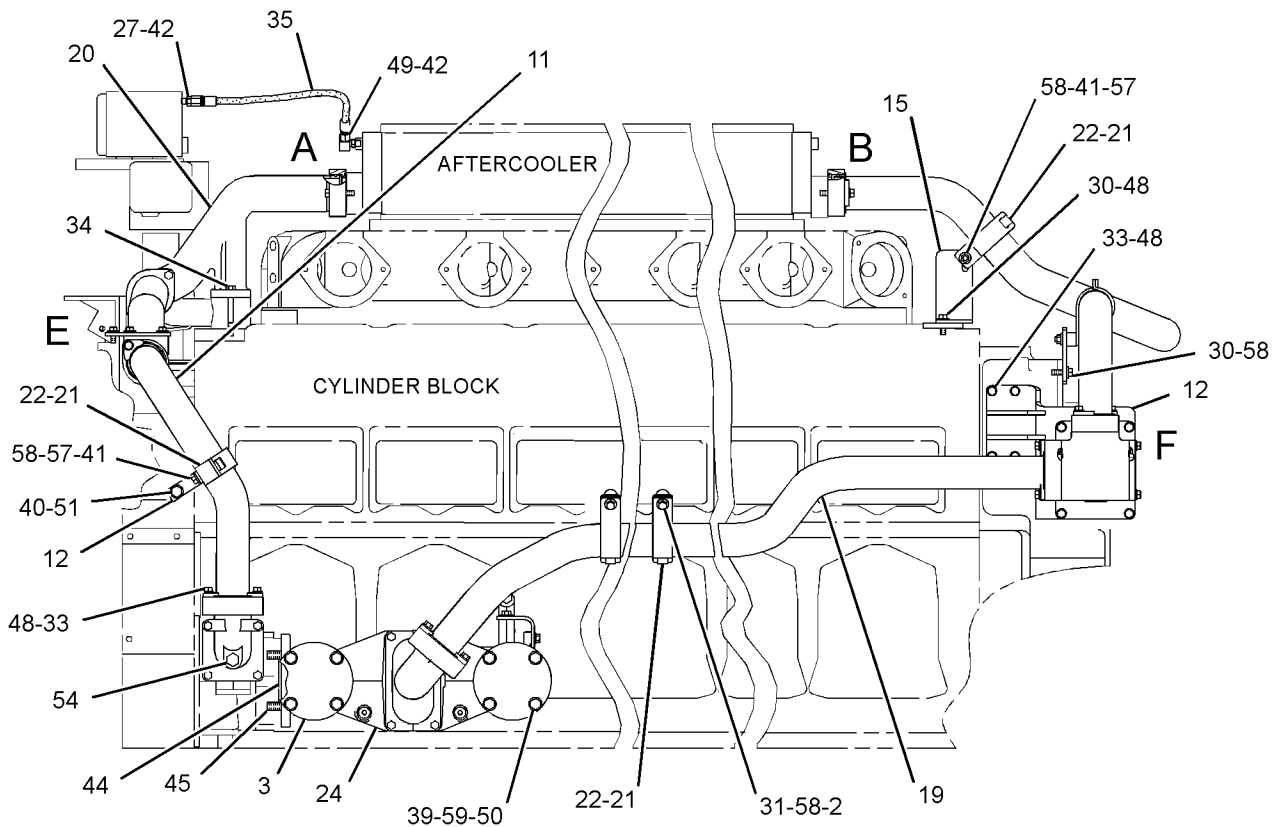
120-7422 **LINES GP-WATER (contd.)**

**i05423882**

NOTE	REF NO	GRAPHIC REF	PART NUMBER	QTY	PART NAME						SEE PAGE
					1	2	3	4	5	6 (PRODUCT LEVEL)	
	48	1,2	<b>5M-2894</b>	28	WASHER-HARD (10.2X18.5X2.5-MM THK)						
	49	1	<b>5P-2645</b>	1	ELBOW						
	50	1	<b>5P-8245</b>	8	WASHER-HARD (13.5X25.5X3-MM THK)						
	51	1	<b>6H-1717</b>	1	BOLT (1/2-13X1.125-IN)						
	52	2	<b>6H-6698</b>	1	COVER						
	53	2	<b>6J-2680</b>	6	SEAL-O-RING						
	54	1	<b>7W-6492</b>	1	PLUG-PIPE (1/2-14-THD)						
	55	2	<b>8T-1919</b>	6	SEAL-O-RING						
	56	2	<b>9L-9132</b>	2	WASHER (10.2X25.5X2.5-MM THK)						
	57	1,2	<b>9S-8752</b>	11	NUT-FULL (3/8-16-THD)						
	58	1,2	<b>9X-6458</b>	13	WASHER-HARD (10.2X22.5X3-MM THK)						
	59	1	<b>9X-8873</b>	8	BOLT (1/2-13X2.25-IN)						
	60	2	<b>9Y-6893</b>	2	GASKET						

C - CHANGE FROM PREVIOUS TYPE  
Y - SEPARATE ILLUSTRATION

REFER TO ALL ILLUSTRATIONS OF THIS GROUP FOR AUXILIARY VIEWS



**LEFT SIDE VIEW OF ENGINE**

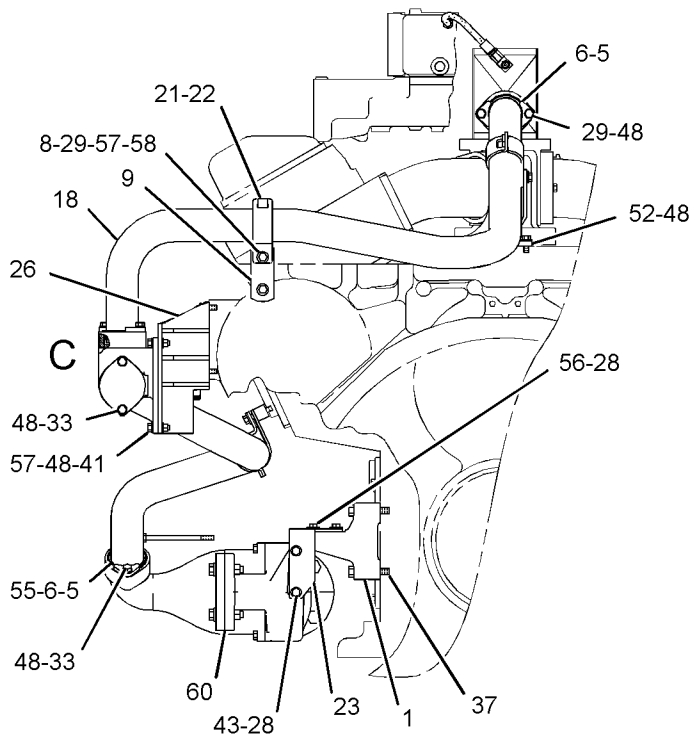
GRAPHIC #1

g03636837

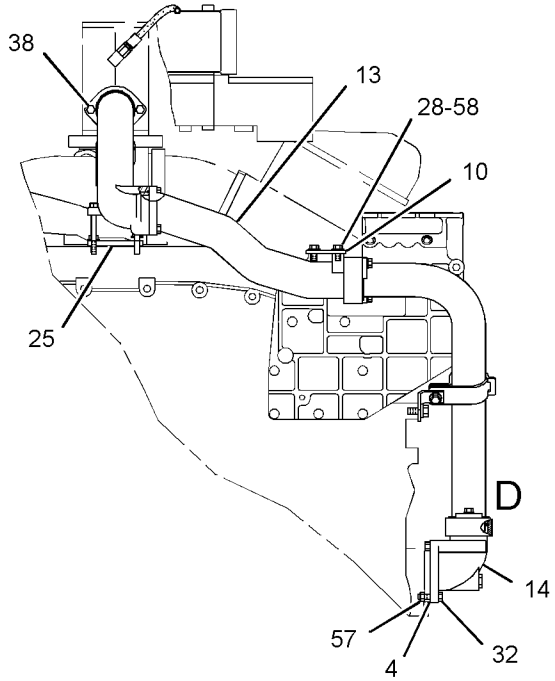
# COOLING SYSTEM

120-7422 LINES GP-WATER (contd.)

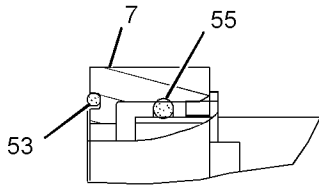
i05423882



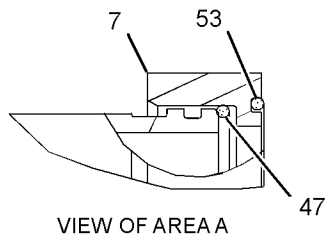
REAR VIEW OF ENGINE



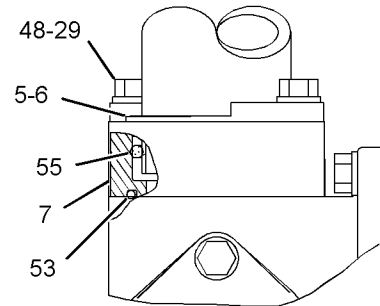
FRONT VIEW OF ENGINE



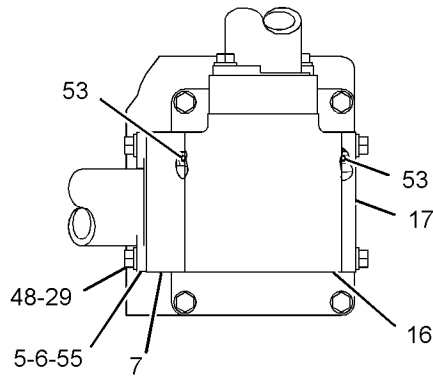
VIEW OF AREA B



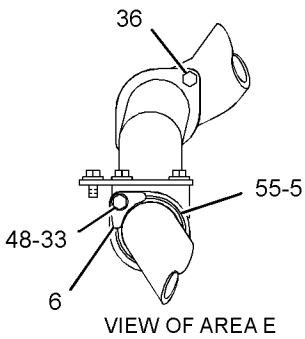
VIEW OF AREA A



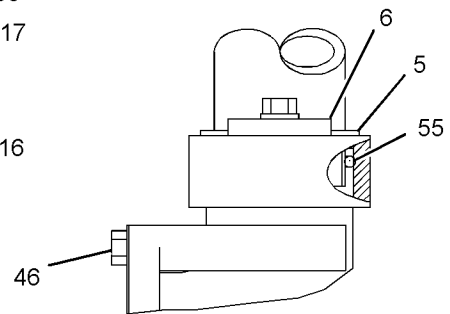
VIEW OF AREA C



VIEW OF AREA F



VIEW OF AREA E



VIEW OF AREA D

GRAPHIC #2

<END>

g03636839

# COOLING SYSTEM

## 289-2090 LINES GP-WATER-AFTERCOOLER

S/N: 50Y647-1304

PART OF 357-0858 ENGINE AR-COMPLETE

SMCS-1355, 1380, 1393

i07404764

NOTE	REF NO	GRAPHIC REF	PART NUMBER	QTY	PART NAME						SEE PAGE
					1	2	3	4	5	6 (PRODUCT LEVEL)	
	1	1	1N-3872	1	SUPPORT						
	2	2	2W-5225	2	FLANGE						
	3	1	3P-6061	1	GASKET						
	4	1	4W-0530	2	RING-RETAINING						
	5	1,2	4W-0531	4	RETAINER						
	6	1,2	7C-9597	2	FLANGE						
	8	1	7N-6986	1	SUPPORT						
	9	2	110-6995	1	PLATE						
	10	2	110-9538	1	TUBE						
	11	2	542-4631	1	BRACKET						
	12	1	111-5056	1	CONNECTOR						
	13	2	114-2040	1	ELBOW						
	14	1	129-3083	1	ELBOW						
	15	1	137-8219	1	ELBOW						
	16	2	153-9481	4	CLAMP AS						
	17	2	153-9963	2	RING						
	18	2	494-7440	1	BRACKET						
	19	2	261-7296	1	BRACKET AS						
	20	1	268-0028	1	TUBE						
Y	21	2	282-8537	1	HOUSING & REGULATOR GP						645
	22	1	345-7620	1	BRACKET						
	23	2	0L-1351	4	BOLT (3/8-16X0.875-IN)						
	24	1	0L-2070	2	BOLT (3/8-16X2.25-IN)						
	25	2	165-3931	4	BOLT (3/8-16X1.75-IN)						
	26	1,2	165-3929	4	BOLT (3/8-16X1.5-IN)						
	27	2	0S-1594	8	BOLT (3/8-16X1-IN)						
	28	1	0T-0055	2	BOLT (3/8-16X4.25-IN)						
	29	2	0T-0065	2	BOLT (3/8-16X3.5-IN)						
	30	1	193-2120	3	GROMMET						
	31	2	1A-2029	6	BOLT (3/8-16X1.125-IN)						
	32	1	1A-5822	2	BOLT (1/2-13X2.75-IN)						
	33	1	1C-2251	2	BOLT (3/8-16X1.87-IN)						
	34	2	1F-7958	8	NUT-FULL (1/2-13-THD)						
	35	1	2A-4639	1	BOLT (3/8-16X1.625-IN)						
	36	2	2M-0849	1	WASHER-HARD (13.5X25.5X5-MM THK)						
	37	1	3B-1915	1	BOLT (3/8-16X1.375-IN)						
	38	1	3J-1907	1	SEAL-O-RING						
	39	2	4F-7387	1	SEAL-O-RING						
	40	2	5B-0841	4	BOLT (5/8-18X1.75-IN)						
	41	2	5B-2638	2	BOLT (3/8-16X5.25-IN)						
	42	2	5B-4399	1	SEAL-O-RING						
	43	1,2	5M-2894	20	WASHER-HARD (10.2X18.5X2.5-MM THK)						
	44	2	5P-8245	8	WASHER-HARD (13.5X25.5X3-MM THK)						
	45	2	6H-1717	1	BOLT (1/2-13X1.125-IN)						
	46	1,2	6J-2680	4	SEAL-O-RING						
	47	1	6V-1867	3	CLIP (SLOT)						
	48	1	6V-1868	3	CLIP (TAB)						

# COOLING SYSTEM

289-2090 **LINES GP-WATER** (contd.)

**i07404764**

NOTE	REF NO	GRAPHIC REF	PART NUMBER	QTY	PART NAME						SEE PAGE
					1	2	3	4	5	6 (PRODUCT LEVEL)	
	49	2	<b>7W-6492</b>	1	PLUG-PIPE (1/2-14-THD)						
	50	1	<b>8S-9191</b>	2	BOLT (3/8-16X4-IN)						
	51	1,2	<b>8T-1919</b>	4	SEAL-O-RING						
	52	1	<b>8T-6767</b>	1	PLUG-PIPE (3/8-18-THD)						
	53	2	<b>8M-9024</b>	4	WASHER-HARD (10.2X22.5X5-MM THK)						
	54	1	<b>7W-9094</b>	1	SPACER (10.5X20X9-MM THK)						
	55	1	<b>9S-4191</b>	1	PLUG (9/16-18-THD)						
	56	1,2	<b>9S-8752</b>	12	NUT-FULL (3/8-16-THD)						
	57	1,2	<b>9X-6458</b>	10	WASHER-HARD (10.2X22.5X3-MM THK)						
	58	2	<b>2B-0947</b>	8	BOLT (1/2-13X2.25-IN)						
	60	2	<b>9Y-6893</b>	2	GASKET						

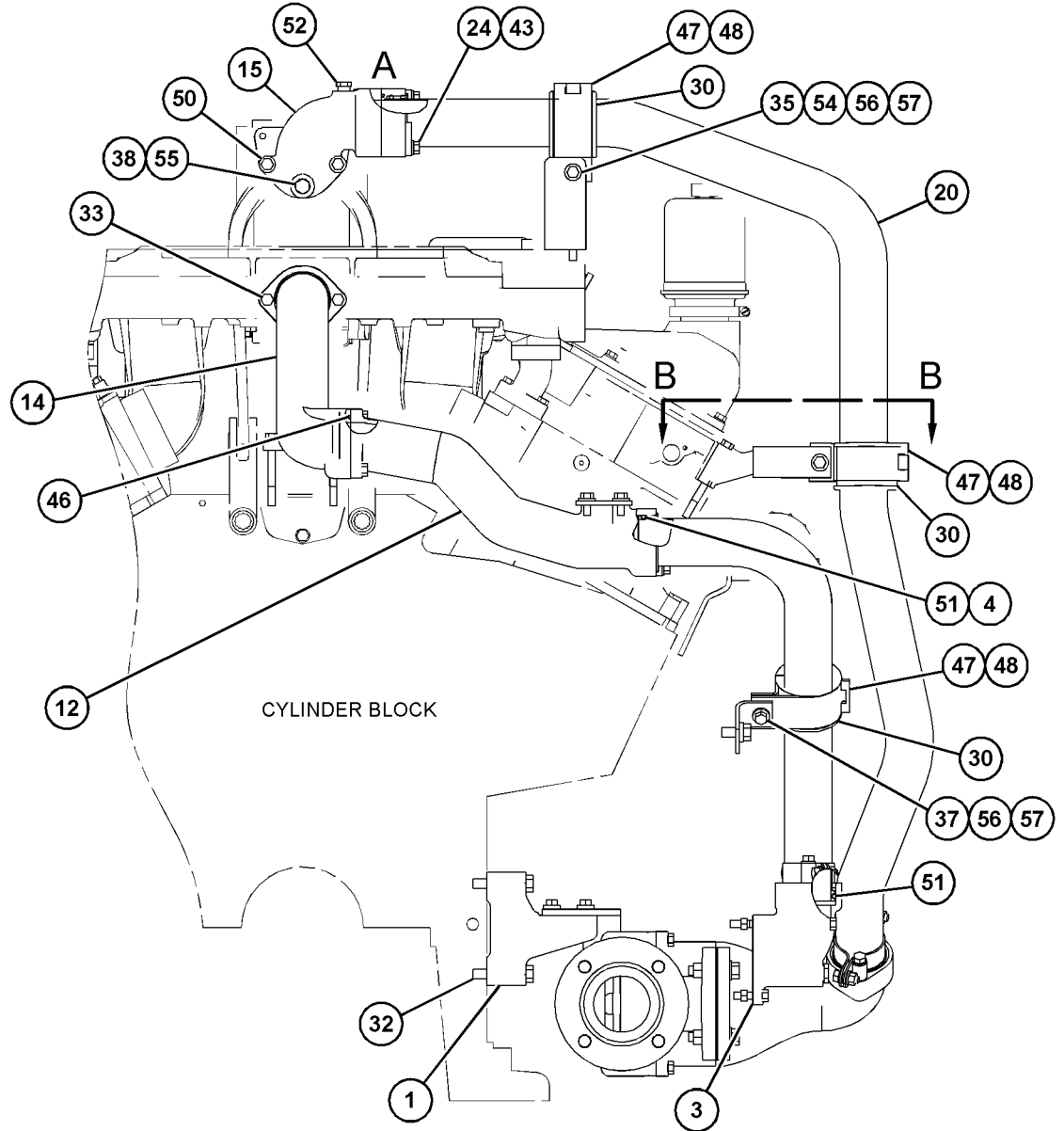
Y - SEPARATE ILLUSTRATION



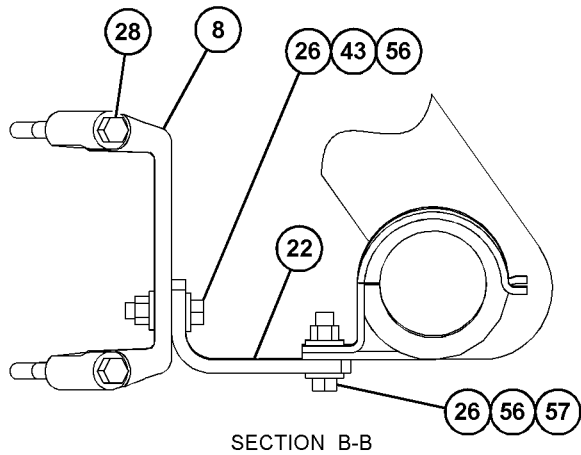
# COOLING SYSTEM

289-2090 LINES GP-WATER (contd.)

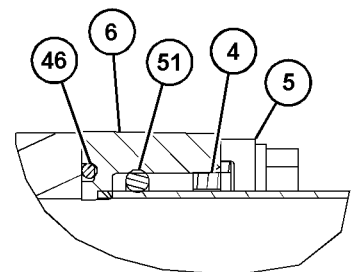
i07404764



FRONT VIEW OF ENGINE



SECTION B-B



VIEW OF AREA A

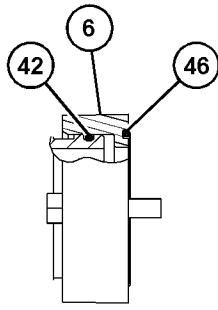
GRAPHIC #1

g06118151

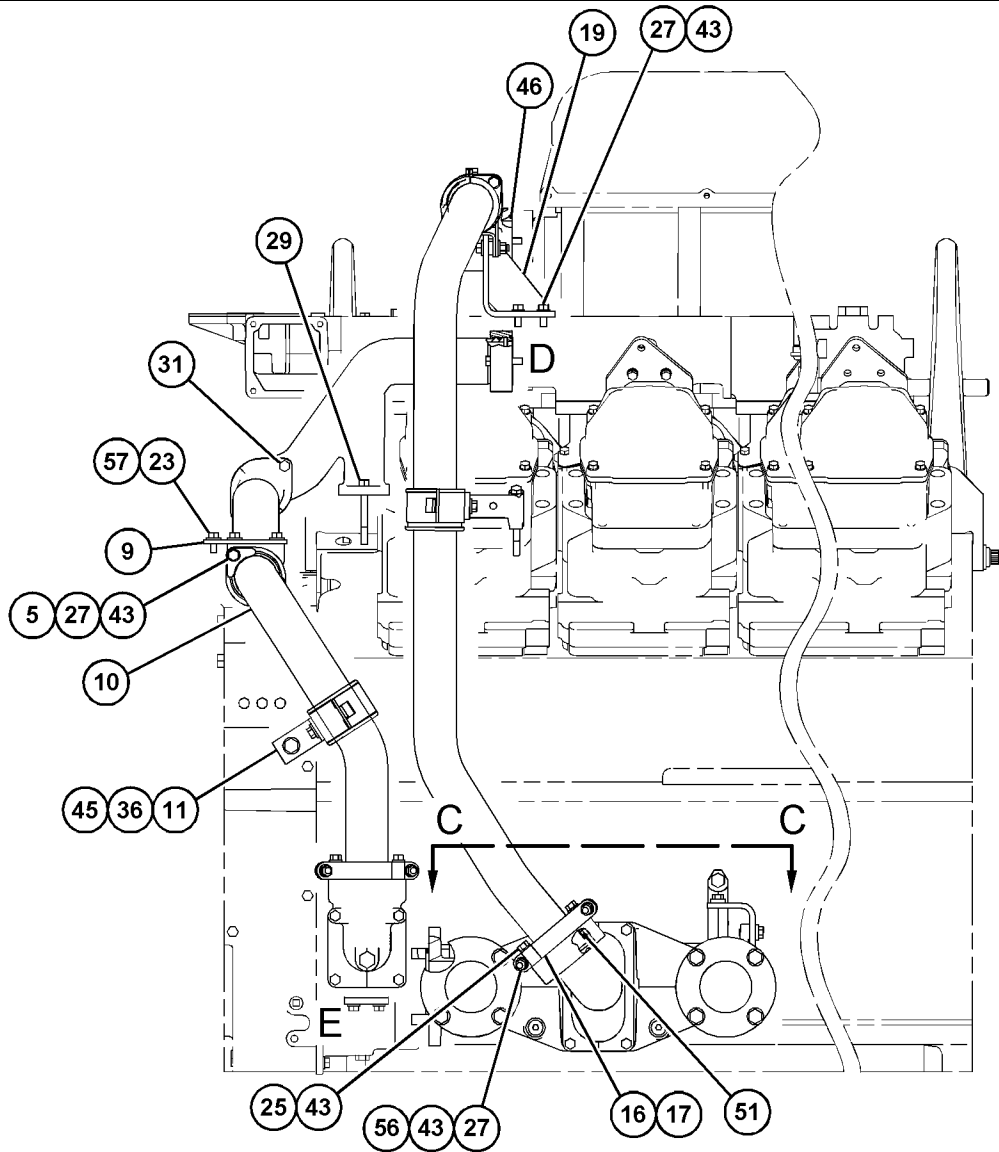
# COOLING SYSTEM

289-2090 LINES GP-WATER (contd.)

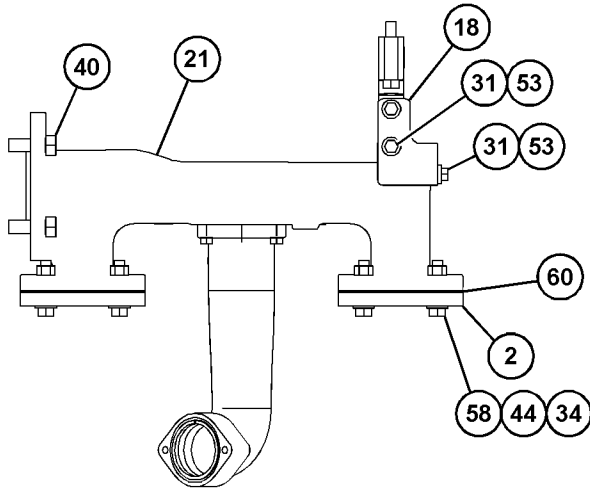
i07404764



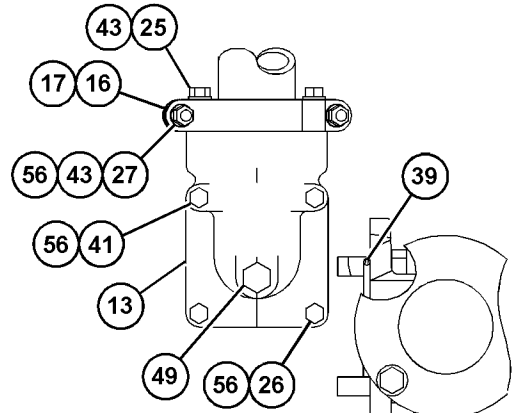
VIEW OF AREA D



LEFT SIDE VIEW OF ENGINE



SECTION C-C



VIEW OF AREA E

GRAPHIC #2

<END>

g06118150

# COOLING SYSTEM

## 308-6830 LINES GP-WATER-TURBOCHARGER

S/N: 50Y647-1304

PART OF 357-0858 ENGINE AR-COMPLETE

SMCS-1355, 1380, 1393

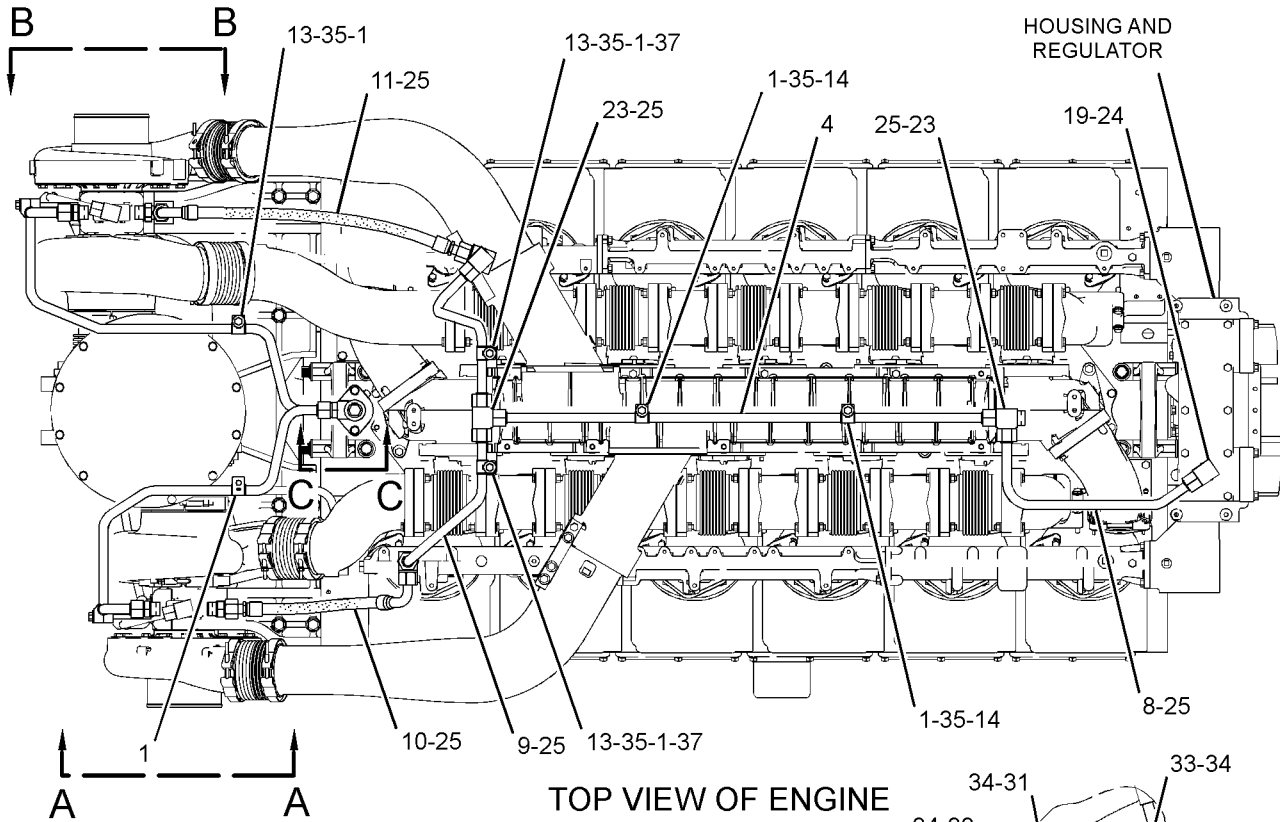
i02845778

NOTE	REF NO	GRAPHIC REF	PART NUMBER	QTY	PART NAME						SEE PAGE
					1	2	3	4	5	6 (PRODUCT LEVEL)	
	1	1	<b>4P-3563</b>	16	CLAMP AS						
					(EACH INCLUDES)						
		1	<b>108-1434</b>	1	GROMMET						
	2	1	<b>7W-2124</b>	2	BRACKET						
	3	1	<b>230-1072</b>	1	GASKET						
	4	1	<b>282-4134</b>	1	TUBE AS						
	5	1	<b>282-4145</b>	1	TUBE AS						
	6	1	<b>282-4146</b>	1	TUBE AS						
	7	1	<b>282-4165</b>	1	ADAPTER						
	8	1	<b>289-3571</b>	1	TUBE AS						
	9	1	<b>308-6822</b>	1	TUBE AS						
	10	1	<b>313-6221</b>	1	HOSE AS						
	11	1	<b>313-6222</b>	1	HOSE AS						
	12	1	<b>313-7143</b>	1	TUBE AS						
	13	1	<b>0L-1143</b>	3	BOLT (3/8-16X2.5-IN)						
	14	1	<b>0L-2070</b>	2	BOLT (3/8-16X2.25-IN)						
	15	1	<b>0S-1588</b>	2	BOLT (3/8-16X1.25-IN)						
	16	1	<b>0S-1594</b>	2	BOLT (3/8-16X1-IN)						
	17	1	<b>1A-5183</b>	2	BOLT (3/8-16X4.75-IN)						
	18	1	<b>215-9090</b>	1	ELBOW (90-DEG)						
	19	1	<b>3D-2824</b>	1	SEAL-O-RING						
	20	1	<b>3K-0360</b>	3	SEAL-O-RING						
	21	1	<b>5M-2894</b>	2	WASHER-HARD (10.2X18.5X2.5-MM THK)						
	22	1	<b>6V-8716</b>	1	CONNECTOR (STRAIGHT)						
	23	1	<b>6V-8791</b>	2	TEE-FACE SEAL						
	24	1	<b>6V-9007</b>	1	ELBOW						
	25	1	<b>6V-9746</b>	19	SEAL-O-RING						
	27	1	<b>6V-9839</b>	1	TEE-SWIVEL						
	28	1	<b>6V-9853</b>	1	ELBOW						
	29	1	<b>6V-9874</b>	2	CONNECTOR (STRAIGHT)						
	30	1	<b>7M-8485</b>	2	SEAL-O-RING						
	31	1	<b>8C-4423</b>	4	PLUG						
	32	1	<b>8T-1685</b>	1	TEE						
	33	1	<b>8T-7494</b>	3	CONNECTOR (STRAIGHT)						
	34	1	<b>8T-7525</b>	8	SEAL-O-RING						
	35	1	<b>9L-9132</b>	11	WASHER (10.2X25.5X2.5-MM THK)						
	36	1	<b>9S-4185</b>	1	PLUG (3/4-16-THD)						
	37	1	<b>9S-8752</b>	2	NUT-FULL (3/8-16-THD)						

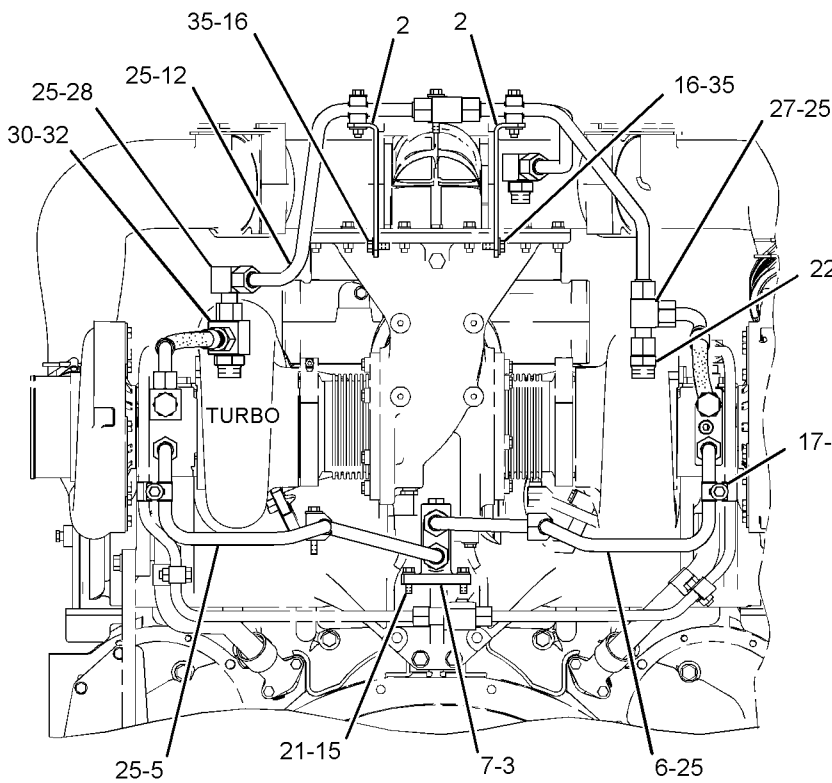
# COOLING SYSTEM

308-6830 LINES GP-WATER (contd.)

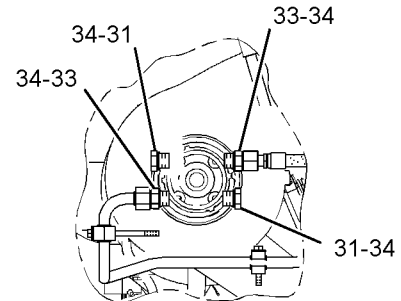
i02845778



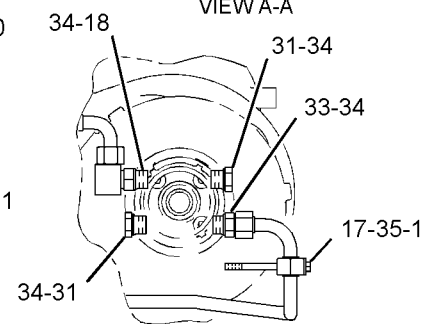
TOP VIEW OF ENGINE



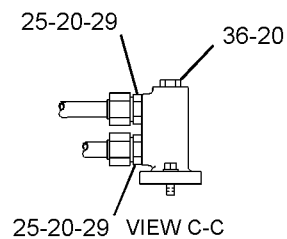
REAR VIEW OF ENGINE



VIEW A-A



VIEW B-B



VIEW C-C

GRAPHIC #1

<END>

g01463448

# COOLING SYSTEM

## 7C-8565 LINES GP-WATER

S/N: 50Y647-1304

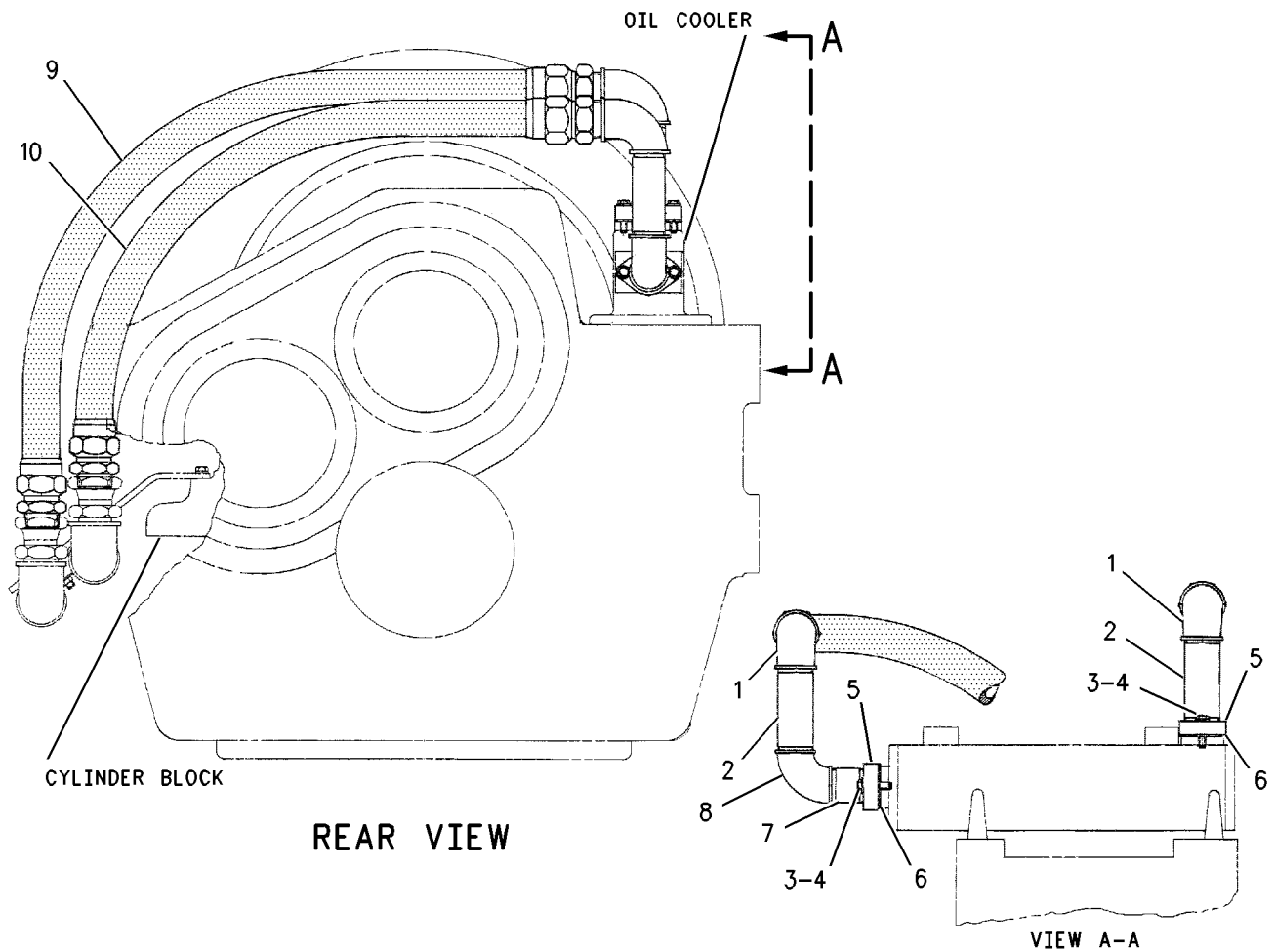
**MARINE TRANSMISSION/4X COOLED  
FOR USE WITH REINTJES TRANSMISSION  
AN ATTACHMENT**

**SMCS-1355, 1380, 1393**

**i01329043**

NOTE	REF NO	GRAPHIC REF	PART NUMBER	QTY	PART NAME						SEE PAGE
					1	2	3	4	5	6 (PRODUCT LEVEL)	
	1	1	<b>8C-7566</b>	2	ELBOW						
	2	1	<b>2N-2012</b>	2	FITTING						
M	3	1	<b>6V-5218</b>	4	BOLT (M8X1.25X35-MM)						
	4	1	<b>9M-1974</b>	4	WASHER-HARD (8.8X16X2-MM THK)						
	5	1	<b>7C-9112</b>	2	FLANGE						
	6	1	<b>9M-8443</b>	2	GASKET						
	7	1	<b>6V-9029</b>	1	FITTING (1-1/4-11-1/2-THD)						
	8	1	<b>6B-6766</b>	1	ELBOW						
I	9	1	<b>3N-7471</b>	1	HOSE AS						
I	10	1	<b>7N-1831</b>	1	HOSE AS						

I - REFER TO HYDRAULIC INFORMATION SYSTEM  
M - METRIC PART



GRAPHIC #1

<END>

g00703482

# COOLING SYSTEM

## 7C-9328 LINES GP-WATER

S/N: 50Y647-1304

TRANSMISSION COOLING  
FOR USE WITH REINTJES TRANSMISSION  
AN ATTACHMENT

SMCS-1355, 1380, 1393

i01337588

NOTE	PART NUMBER	QTY	PART NAME						SEE PAGE
			1	2	3	4	5	6 (PRODUCT LEVEL)	
I	7N-1831	1	HOSE AS (ENGINE TO COOLER INLET)						
	8C-7566	1	ELBOW (TO NIPPLE)						
	6V-9029	1	FITTING (1-1/4-11-1/2-THD) (TO UNION)						
	8C-7565	1	UNION-PIPE (1-1/4-11-1/2-THD) (TO ADAPTER)						
	8T-1570	1	ADAPTER (COOLER INLET)						
	8T-1568	1	SEAL-BONDED (48.41-MM ID) (COOLER TO ADAPTER)						
I	7N-1831	1	HOSE AS (COOLER TO ENGINE)						
	8C-7566	1	ELBOW (TO ADAPTER)						
	8T-1570	1	ADAPTER (COOLER OUTLET)						
	8T-1568	1	SEAL-BONDED (48.41-MM ID) (COOLER OUTLET)						

I - REFER TO HYDRAULIC INFORMATION SYSTEM

<END>

# COOLING SYSTEM

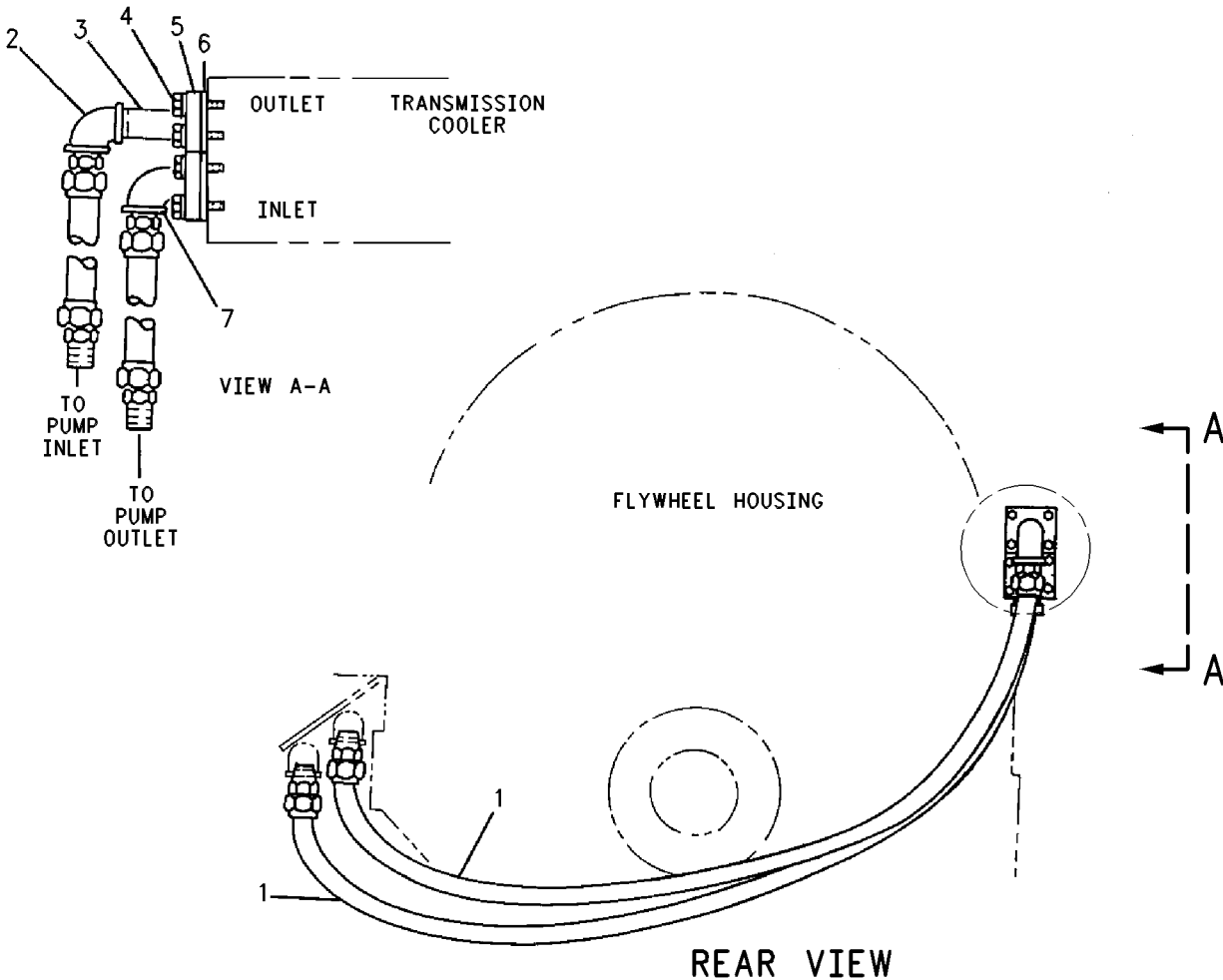
## 7C-9329 LINES GP-WATER-TRANSMISSION COOLER FOR USE WITH REINTJES TRANSMISSION AN ATTACHMENT

SMCS-1355, 1380, 1393

i01165213

NOTE	REF NO	GRAPHIC REF	PART NUMBER	QTY	PART NAME						SEE PAGE	
					1	2	3	4	5	6		(PRODUCT LEVEL)
I	1	1	<b>3N-7471</b>	2	HOSE AS							
	2	1	<b>7B-3395</b>	1	ELBOW							
	3	1	<b>5N-2868</b>	1	PIPE							
M	4	1	<b>6V-3822</b>	8	BOLT (M10X1.5X35-MM)							
			1	<b>5M-2894</b>	8	WASHER-HARD (10.2X18.5X2.5-MM THK)						
	5	1	<b>7C-9113</b>	2	FLANGE							
	6	1	<b>7C-7520</b>	2	GASKET							
	7	1	<b>7B-8057</b>	1	ELBOW							

I - REFER TO HYDRAULIC INFORMATION SYSTEM  
M - METRIC PART



GRAPHIC #1

<END>

g00621499

# COOLING SYSTEM

## 7E-2627 LINES GP-WATER-TRANSMISSION COOLER

S/N: 50Y647-1304

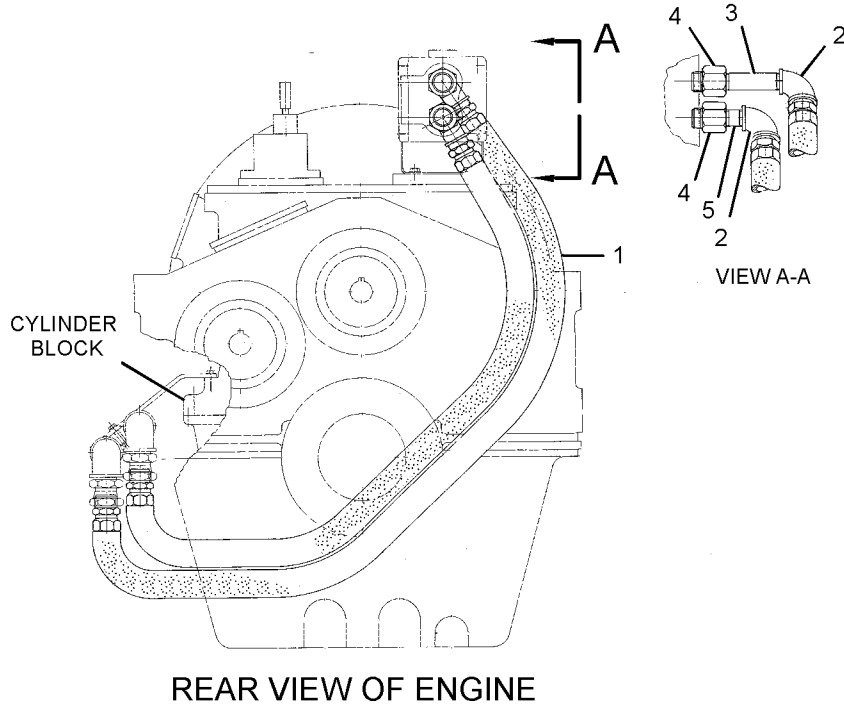
AN ATTACHMENT

SMCS-1355, 1380, 1393

i04980701

NOTE	REF NO	GRAPHIC REF	PART NUMBER	QTY	PART NAME						SEE PAGE
					1	2	3	4	5	6 (PRODUCT LEVEL)	
I	1	1	<b>7N-1831</b>	2	HOSE AS						
	2	1	<b>8C-7566</b>	2	ELBOW						
	3	1	<b>2N-2012</b>	1	FITTING						
	4	1	<b>7X-0485</b>	2	ADAPTER						
	5	1	<b>8C-7567</b>	1	NIPPLE-PIPE						

I - REFER TO HYDRAULIC INFORMATION SYSTEM



GRAPHIC #1

<END>

g02043433



# COOLING SYSTEM

## 7N-8673 LINES GP-WATER-TURBOCHARGER

S/N: 66Z190-578

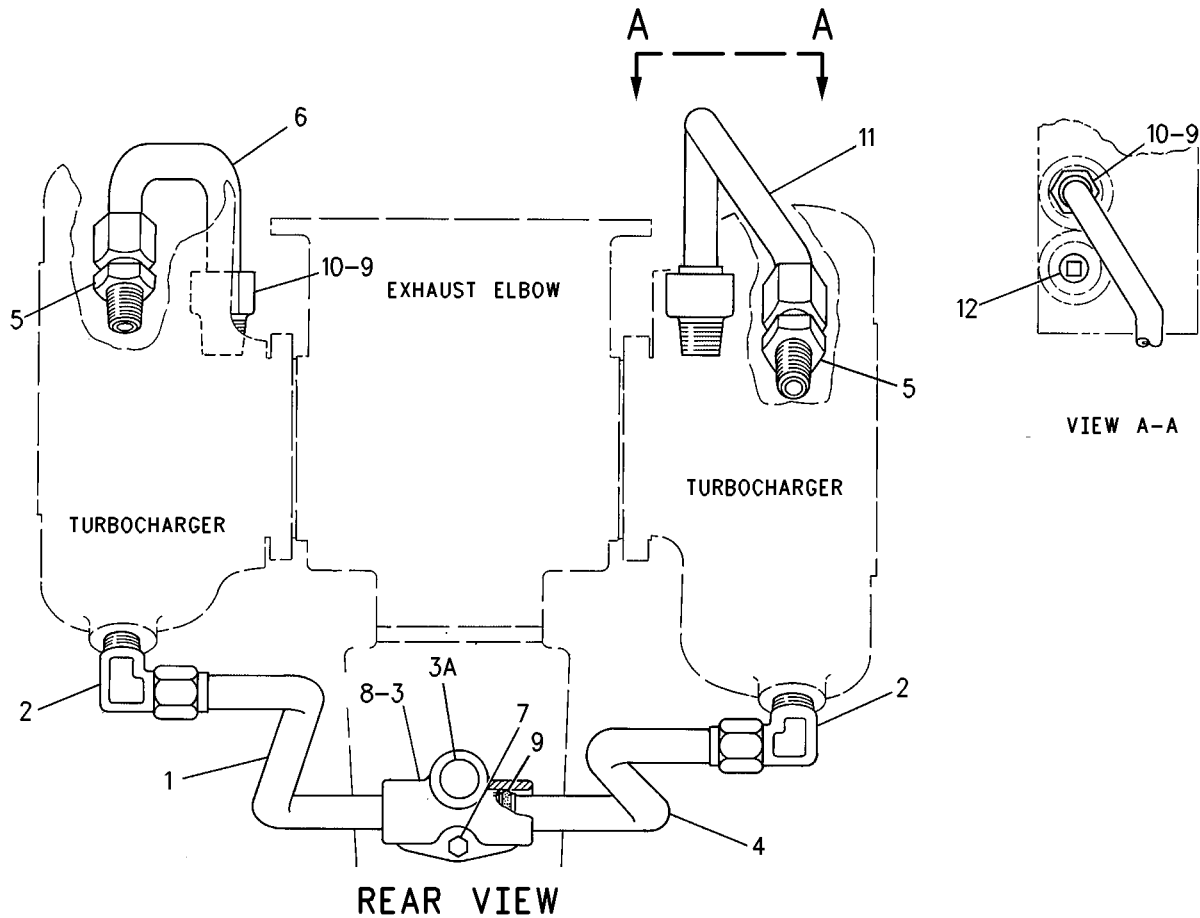
FOR USE WITH 4MFW & TW81 TURBOCHARGERS

SMCS-1355, 1380, 1393

i01488728

NOTE	REF NO	GRAPHIC REF	PART NUMBER	QTY	PART NAME						SEE PAGE
					1	2	3	4	5	6 (PRODUCT LEVEL)	
	1	1	<b>8N-8955</b>	1	TUBE AS						
	2	1	<b>9L-4007</b>	2	ELBOW-FLARED						
C	3	1	<b>1W-8264</b>	1	HOUSING AS						
	3A	1	<b>3S-8313</b>	1	PLUG-CUP						
	4	1	<b>8N-8953</b>	1	TUBE AS						
	5	1	<b>030-8307</b>	2	CONNECTOR						
	6	1	<b>8N-0419</b>	1	TUBE AS						
	7	1	<b>0S-1594</b>	3	BOLT (3/8-16X1-IN)						
	8	1	<b>7N-3368</b>	1	GASKET						
C	9	1	<b>7L-4773</b>	4	SEAL-O-RING						
C	10	1	<b>7N-7415</b>	2	FITTING						
	11	1	<b>8N-0420</b>	1	TUBE AS						
C	12	1	<b>8T-6761</b>	1	PLUG-PIPE (1-11-1/2 NPT THD)						

C - CHANGE FROM PREVIOUS TYPE



GRAPHIC #1

<END>

g00773574

# COOLING SYSTEM

## 8N-7715 LINES GP-WATER

S/N: 50Y647; 66Z190-206

SMCS-1355, 1380, 1393

i01407287

NOTE	PART NUMBER	QTY	PART NAME						SEE PAGE
			1	2	3	4	5	6 (PRODUCT LEVEL)	
Y	8N-8993	1	CONNECTION GP-WATER (INLET, LH) (INLET AND OUTLET)						610
Y	8N-8994	1	LINES GP-WATER (LOWER)						706
Y	8N-8995	1	LINES GP-WATER (UPPER) (UPPER)						710
Y	8N-7643	1	HOUSING & REGULATOR GP (INLET CONTROL) (INLET CONTROL)						647

Y - SEPARATE ILLUSTRATION

<END>

# COOLING SYSTEM

## 8N-7718 LINES GP-WATER-TURBOCHARGER

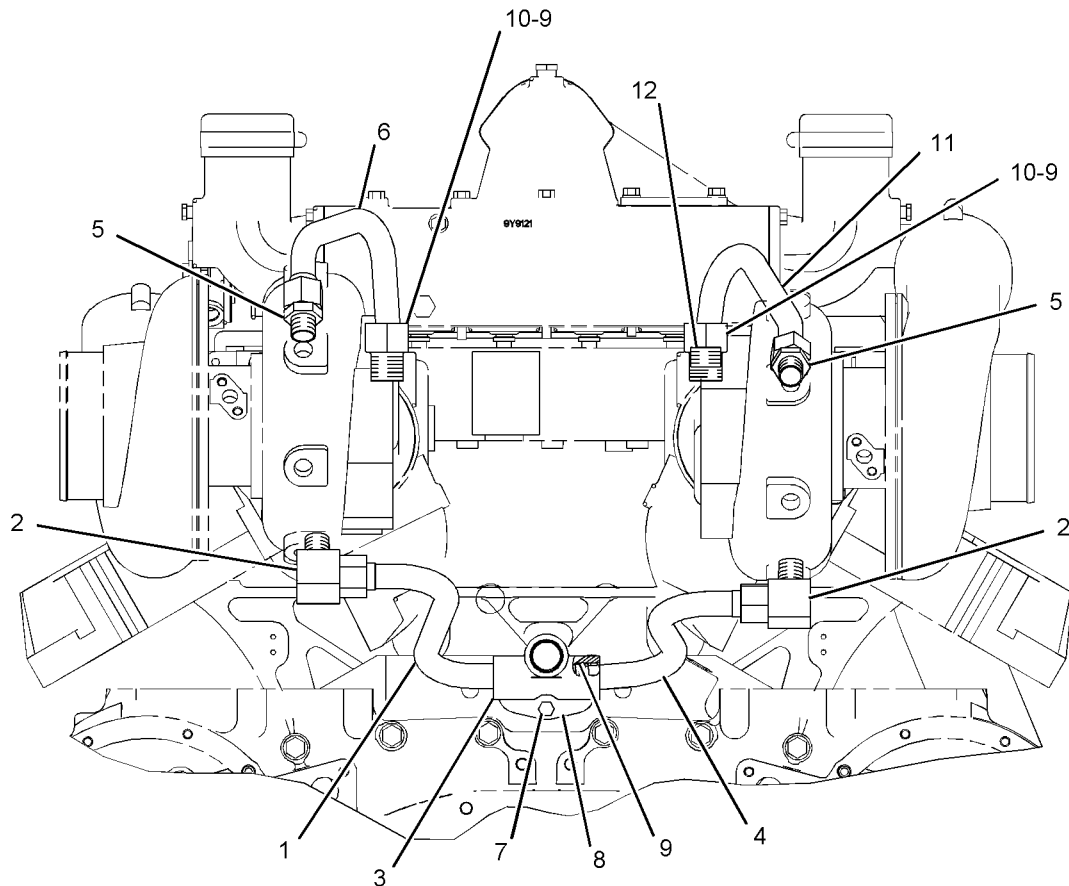
S/N: 50Y647-1304

SMCS-1355, 1380, 1393

i02558248

NOTE	REF NO	GRAPHIC REF	PART NUMBER	QTY	PART NAME						SEE PAGE
					1	2	3	4	5	6 (PRODUCT LEVEL)	
	1	1	<b>8N-8955</b>	1	TUBE AS						
	2	1	<b>9S-7296</b>	2	ELBOW-FLARED						
C	3	1	<b>1W-8264</b>	1	HOUSING AS						
		1	<b>1W-6737</b>		HOUSING						
		1	<b>3S-8313</b>	1	PLUG-CUP						
	4	1	<b>8N-8953</b>	1	TUBE AS						
C	5	1	<b>009-4440</b>	2	CONNECTOR						
	6	1	<b>7N-7144</b>	1	TUBE AS						
	7	1	<b>0S-1594</b>	3	BOLT (3/8-16X1-IN)						
	8	1	<b>7N-3368</b>	1	GASKET						
C	9	1	<b>7L-4773</b>	4	SEAL-O-RING						
C	10	1	<b>7N-7415</b>	2	FITTING						
	11	1	<b>7N-7142</b>	1	TUBE AS						
C	12	1	<b>8T-6761</b>	1	PLUG-PIPE (1-11-1/2 NPT THD)						

C - CHANGE FROM PREVIOUS TYPE



**REAR VIEW**

<END>

GRAPHIC #1

g01078784

# COOLING SYSTEM

## 8N-8994 LINES GP-WATER-LOWER

S/N: 50Y647-712; 66Z190-224  
PART OF 8N-7715 LINES GP-WATER

SMCS-1355, 1380, 1393

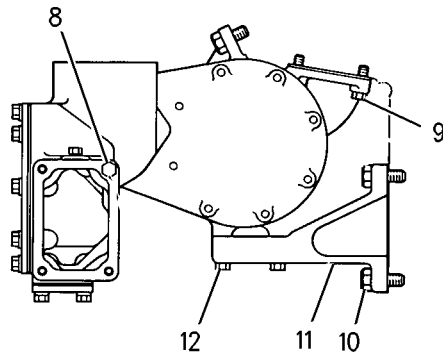
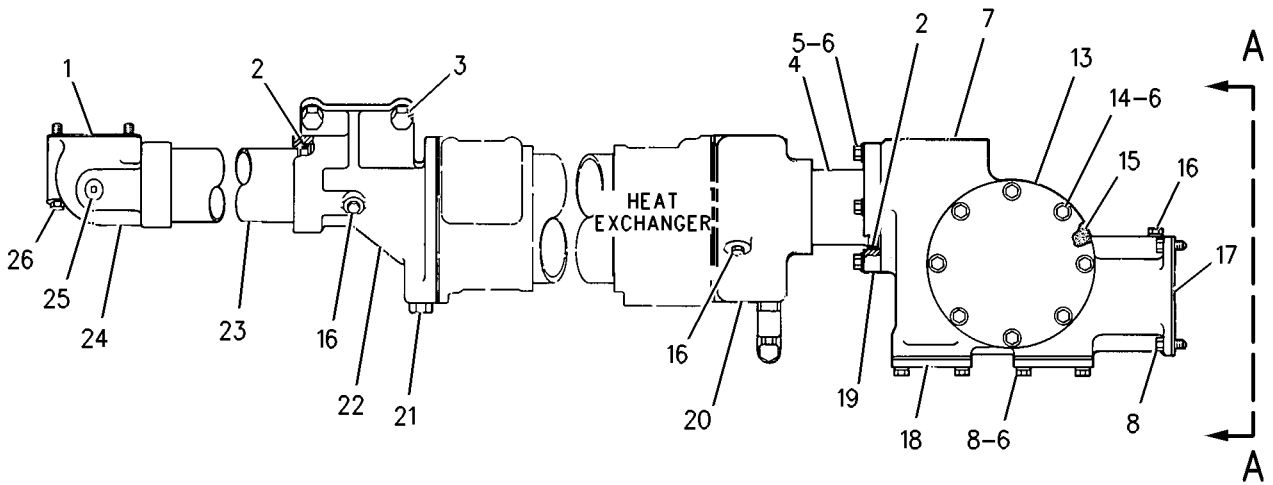
i01802597

NOTE	REF NO	GRAPHIC REF	PART NUMBER	QTY	PART NAME						SEE PAGE
					1	2	3	4	5	6 (PRODUCT LEVEL)	
	1	1	<b>7N-4945</b>	1	GASKET						
	2	1	<b>8H-2046</b>	4	SEAL-O-RING						
	3	1	<b>0S-1595</b>	2	BOLT (1/2-13X1.25-IN)						
	4	1	<b>8N-7641</b>	1	TUBE						
	5	1	<b>2A-4639</b>	4	BOLT (3/8-16X1.625-IN)						
	6	1	<b>5M-2894</b>	20	WASHER-HARD (10.2X18.5X2.5-MM THK)						
	7	1	<b>1N-4858</b>	1	ADAPTER-LINES						
	8	1	<b>0S-1594</b>	12	BOLT (3/8-16X1-IN)						
	9	1	<b>0S-1588</b>	2	BOLT (3/8-16X1.25-IN)						
	10	1	<b>0S-1585</b>	2	BOLT (1/2-13X1.5-IN)						
	11	1	<b>7N-4940</b>	1	BRACKET						
	12	1	<b>0S-1571</b>	2	BOLT (3/8-16X1.75-IN)						
	13	1	<b>7S-8420</b>	1	COVER						
	14	1	<b>0L-1351</b>	8	BOLT (3/8-16X0.875-IN)						
	15	1	<b>1S-5772</b>	1	GASKET						
	16	1	<b>5M-6213</b>	3	PLUG-PIPE (1/4-18-THD)						
	17	1	<b>7N-4932</b>	1	GASKET						
	18	1	<b>1N-4860</b>	2	COVER						
		1	<b>1N-4859</b>	2	GASKET						
	19	1	<b>8N-0386</b>	1	FLANGE						
		1	<b>4N-1320</b>	1	GASKET (ADAPTER)						
	20	1	<b>7N-4939</b>	1	BONNET-OIL COOLER						
	21	1	<b>9M-4202</b>	1	PLUG-DRAIN						
		1	<b>4B-8407</b>	1	GASKET-COPPER						
	22	1	<b>7N-4941</b>	1	BONNET-OIL COOLER						
	23	1	<b>7N-9044</b>	1	TUBE						
	24	1	<b>7N-4944</b>	1	ELBOW						
	25	1	<b>3B-0551</b>	1	PLUG-PIPE						
	26	1	<b>0T-0065</b>	2	BOLT (3/8-16X3.5-IN)						

# COOLING SYSTEM

8N-8994 LINES GP-WATER (contd.)

i01802597



VIEW A-A

GRAPHIC #1

<END>

g00923326

# COOLING SYSTEM

## 8N-8994 LINES GP-WATER-LOWER

S/N: 50Y713-1304; 66Z225-578

SMCS-1355, 1380, 1393

i04243751

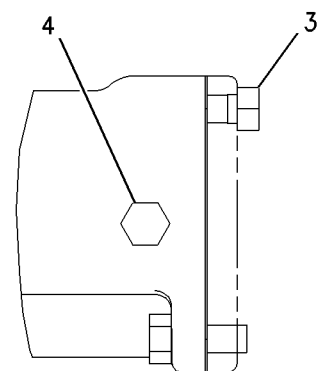
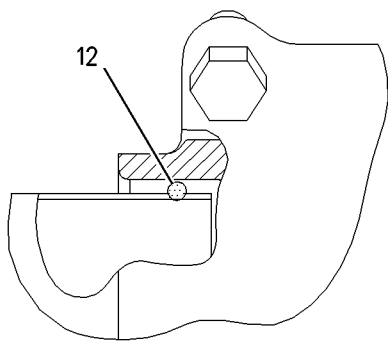
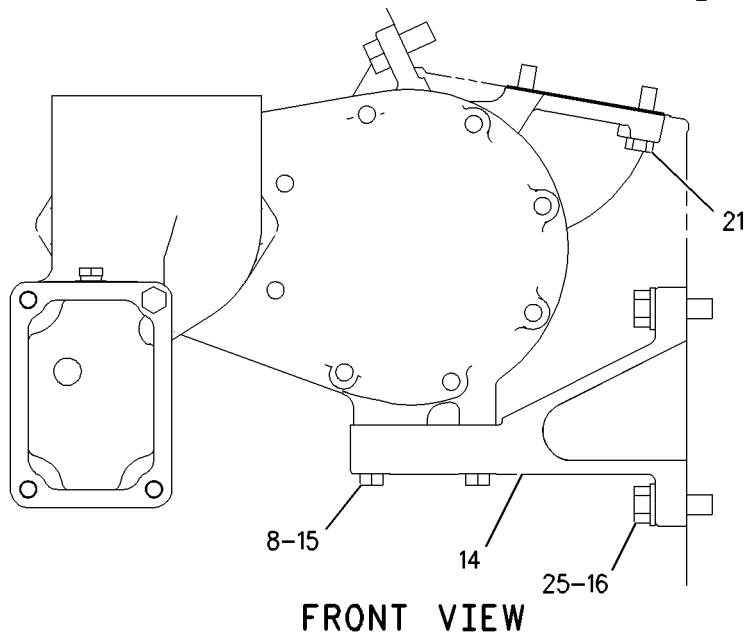
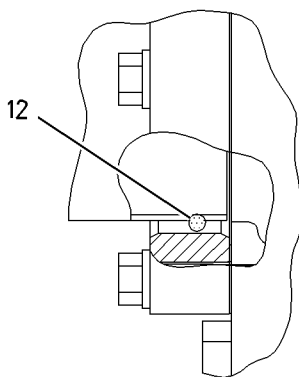
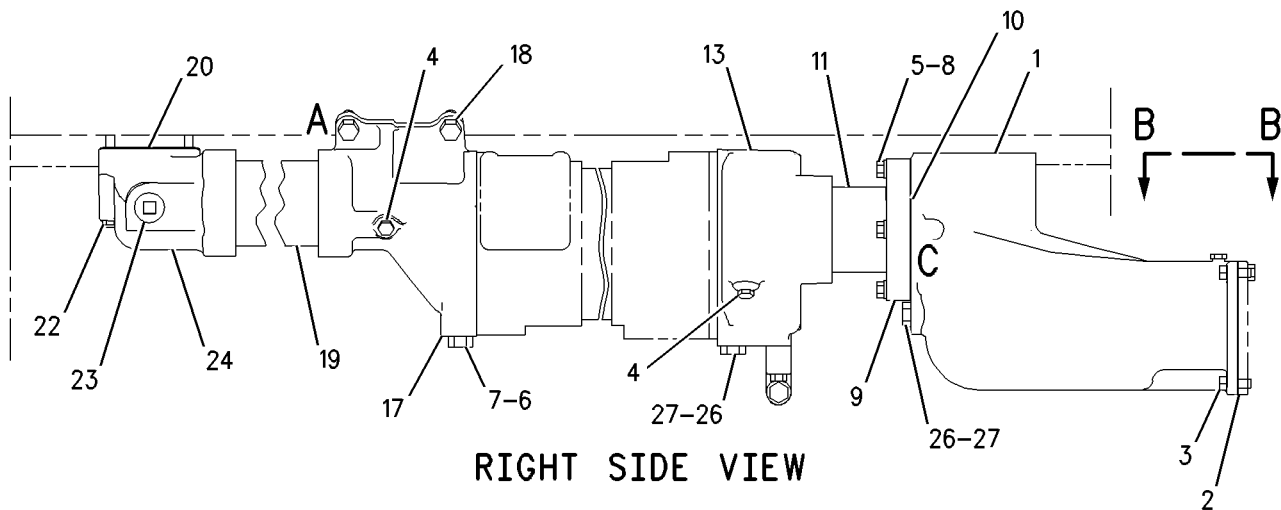
NOTE	REF NO	GRAPHIC REF	PART NUMBER	QTY	PART NAME						SEE PAGE
					1	2	3	4	5	6 (PRODUCT LEVEL)	
	1	1	<b>120-7421</b>	1	ADAPTER						
	2	1	<b>7N-4932</b>	1	GASKET						
C	3	1	<b>0S-1594</b>	4	BOLT (3/8-16X1-IN)						
	4	1	<b>8T-6765</b>	3	PLUG-PIPE (1/4-18-THD)						
	5	1	<b>2A-4639</b>	4	BOLT (3/8-16X1.625-IN)						
	6	1	<b>4B-8407</b>	1	GASKET-COPPER						
	7	1	<b>9M-4202</b>	1	PLUG-DRAIN						
C	8	1	<b>5M-2894</b>	6	WASHER-HARD (10.2X18.5X2.5-MM THK)						
	9	1	<b>8N-0386</b>	1	FLANGE						
	10	1	<b>4N-1320</b>	1	GASKET (ADAPTER)						
	11	1	<b>8N-7641</b>	1	TUBE						
C	12	1	<b>6V-5066</b>	4	SEAL-O-RING						
	13	1	<b>7N-4939</b>	1	BONNET-OIL COOLER						
	14	1	<b>7N-4940</b>	1	BRACKET						
	15	1	<b>0S-1571</b>	2	BOLT (3/8-16X1.75-IN)						
	16	1	<b>0S-1585</b>	2	BOLT (1/2-13X1.5-IN)						
	17	1	<b>7N-4941</b>	1	BONNET-OIL COOLER						
	18	1	<b>0S-1595</b>	2	BOLT (1/2-13X1.25-IN)						
	19	1	<b>7N-9044</b>	1	TUBE						
	20	1	<b>7N-4945</b>	1	GASKET						
	21	1	<b>0S-1588</b>	2	BOLT (3/8-16X1.25-IN)						
	22	1	<b>0T-0065</b>	2	BOLT (3/8-16X3.5-IN)						
	23	1	<b>8T-6761</b>	1	PLUG-PIPE (1-11-1/2 NPT THD)						
	24	1	<b>7N-4944</b>	1	ELBOW						
	25	1	<b>5P-8245</b>	2	WASHER-HARD (13.5X25.5X3-MM THK)						
	26	1	<b>9S-4185</b>	2	PLUG (3/4-16-THD)						
	27	1	<b>6V-6609</b>	2	SEAL-O-RING						

C - CHANGE FROM PREVIOUS TYPE

# COOLING SYSTEM

8N-8994 LINES GP-WATER (contd.)

i04243751



GRAPHIC #1

<END>

g00857472

# COOLING SYSTEM

## 8N-8995 LINES GP-WATER

S/N: 50Y647-796; 66Z190-320  
PART OF 8N-7715 LINES GP-WATER

SMCS-1355, 1380, 1393

i00933300

NOTE	REF NO	GRAPHIC REF	PART NUMBER	QTY	PART NAME						SEE PAGE
					1	2	3	4	5	6 (PRODUCT LEVEL)	
	1	1	<b>8N-9623</b>	1	HOUSING-REGULATOR						
	2	1	<b>6V-6809</b>	2	SEAL-O-RING						
C	3	1	<b>2B-0858</b>	3	PLUG-PIPE						
	4	1	<b>1D-4717</b>	4	NUT (3/8-16-THD)						
C	5	1	<b>0S-1594</b>	31	BOLT (3/8-16X1-IN)						
C	6	1	<b>5M-2894</b>	11	WASHER-HARD (10.2X18.5X2.5-MM THK)						
	7	1	<b>7N-3368</b>	1	GASKET						
	8	1	<b>7N-3297</b>	1	COVER						
CB	9	1	<b>3J-5389</b>	1	PLUG (EXTERNAL)						
	10	1	<b>8N-7640</b>	12	GASKET						
C	11	1	<b>0S-1571</b>	4	BOLT (3/8-16X1.75-IN)						
C	12	1	<b>1D-4716</b>	12	NUT-FULL (5/16-18-THD)						
	13	1	<b>9M-1974</b>	48	WASHER-HARD (8.8X16X2-MM THK)						
	14	1	<b>7N-7081</b>	12	ELBOW						
C		1	<b>6V-9769</b>	24	SEAL-O-RING						
	15	1	<b>7N-5667</b>	12	BRACKET						
	16	1	<b>1D-4538</b>	12	BOLT (5/16-18X2.25-IN)						
	17	1	<b>2B-2695</b>	24	BOLT (5/16-18X0.875-IN)						
	18	1	<b>8N-7642</b>	12	ELBOW						
	19	1	<b>1B-7182</b>	24	BOLT (5/16-18X1.25-IN)						

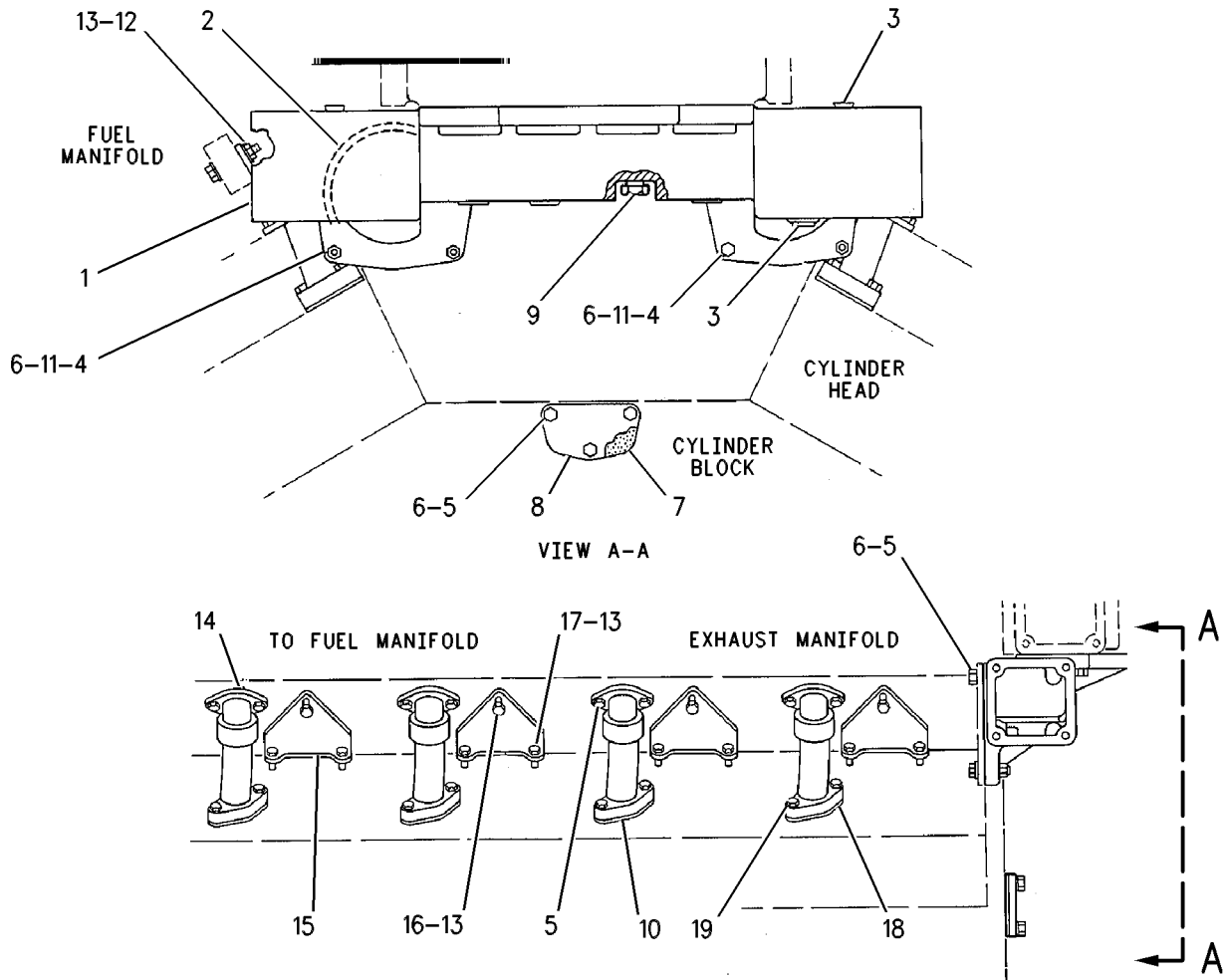
B - USE AS REQUIRED  
C - CHANGE FROM PREVIOUS TYPE



# COOLING SYSTEM

8N-8995 LINES GP-WATER (contd.)

i00933300



GRAPHIC #1

<END>

g00299882

# COOLING SYSTEM

## 9Y-9111 LINES GP-WATER-UPPER

S/N: 50Y797-1304; 66Z321-578

SMCS-1355, 1380, 1393

i02657501

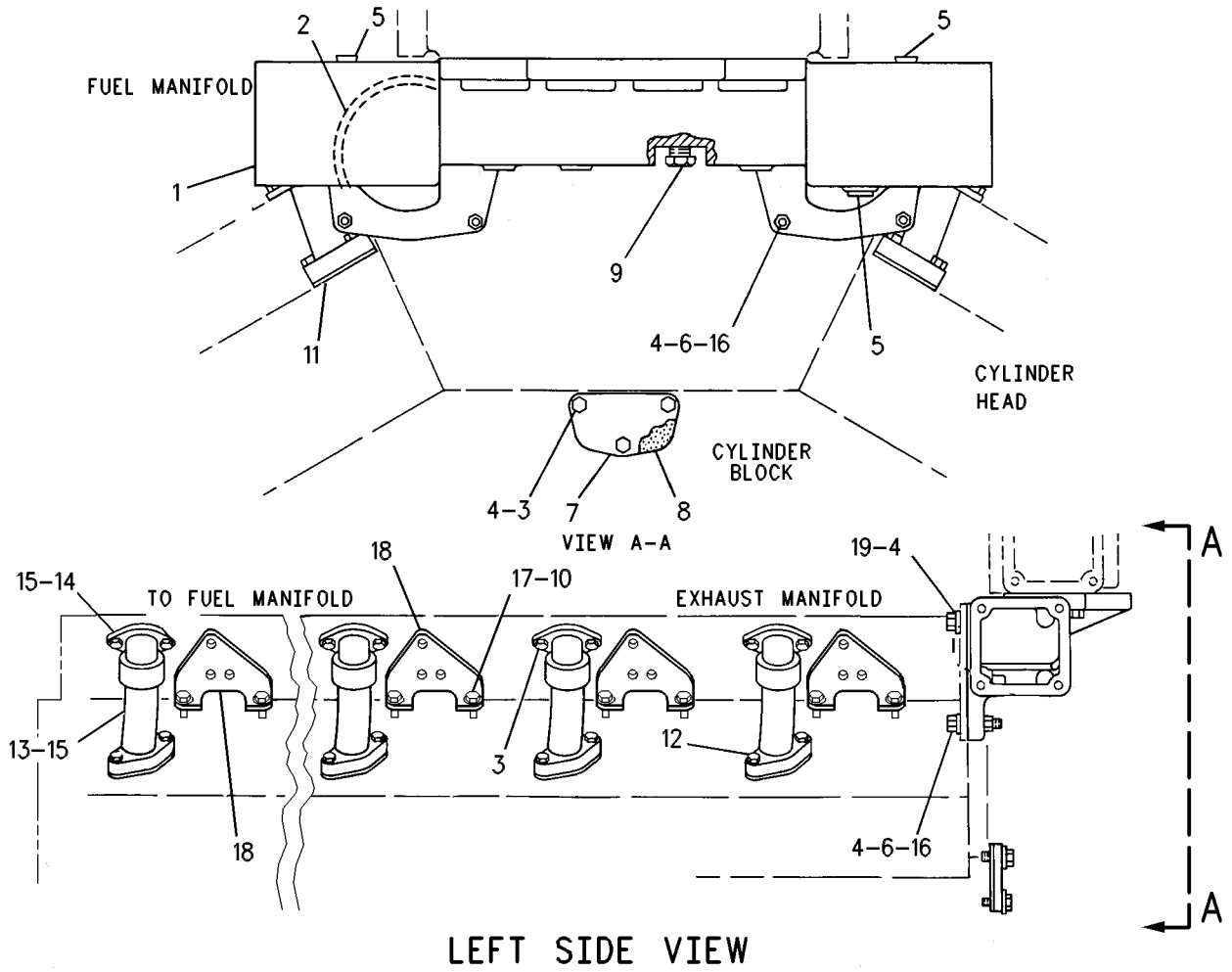
NOTE	REF NO	GRAPHIC REF	PART NUMBER	QTY	PART NAME						SEE PAGE
					1	2	3	4	5	6 (PRODUCT LEVEL)	
	1	1	<b>8N-9623</b>	1	HOUSING-REGULATOR						
	2	1	<b>6V-6809</b>	2	SEAL-O-RING						
	3	1	<b>0S-1594</b>	27	BOLT (3/8-16X1-IN)						
	4	1	<b>5M-2894</b>	11	WASHER-HARD (10.2X18.5X2.5-MM THK)						
	5	1	<b>8T-6762</b>	3	PLUG-PIPE (1/2-14-THD)						
	6	1	<b>0S-1590</b>	4	BOLT (3/8-16X2-IN)						
	7	1	<b>7N-3297</b>	1	COVER						
	8	1	<b>7N-3368</b>	1	GASKET						
B	9	1	<b>7W-6492</b>	1	PLUG-PIPE (1/2-14-THD)						
	10	1	<b>9M-1974</b>	24	WASHER-HARD (8.8X16X2-MM THK)						
	11	1	<b>127-2176</b>	12	SEAL-INTEGRAL						
	12	1	<b>1B-7182</b>	24	BOLT (5/16-18X1.25-IN)						
	13	1	<b>8N-7642</b>	12	ELBOW						
	14	1	<b>7N-7081</b>	12	ELBOW						
	15	1	<b>6V-9769</b>	24	SEAL-O-RING						
	16	1	<b>9S-8752</b>	4	NUT-FULL (3/8-16-THD)						
	17	1	<b>0S-1618</b>	24	BOLT (5/16-18X1-IN)						
	18	1	<b>9Y-4016</b>	12	BRACKET						
	19	1	<b>1A-2029</b>	4	BOLT (3/8-16X1.125-IN)						

B - USE AS REQUIRED

# COOLING SYSTEM

9Y-9111 LINES GP-WATER (contd.)

102657501



LEFT SIDE VIEW

GRAPHIC #1

<END>

g00587060

# COOLING SYSTEM

## 124-0111 PUMP GP-AUXILIARY SEA WATER\*R

S/N: 50Y647-1304

PART OF 9Y-5710 PUMP GP-AUXILIARY SEA WATER  
AN ATTACHMENT

SMCS-1371

i04406549

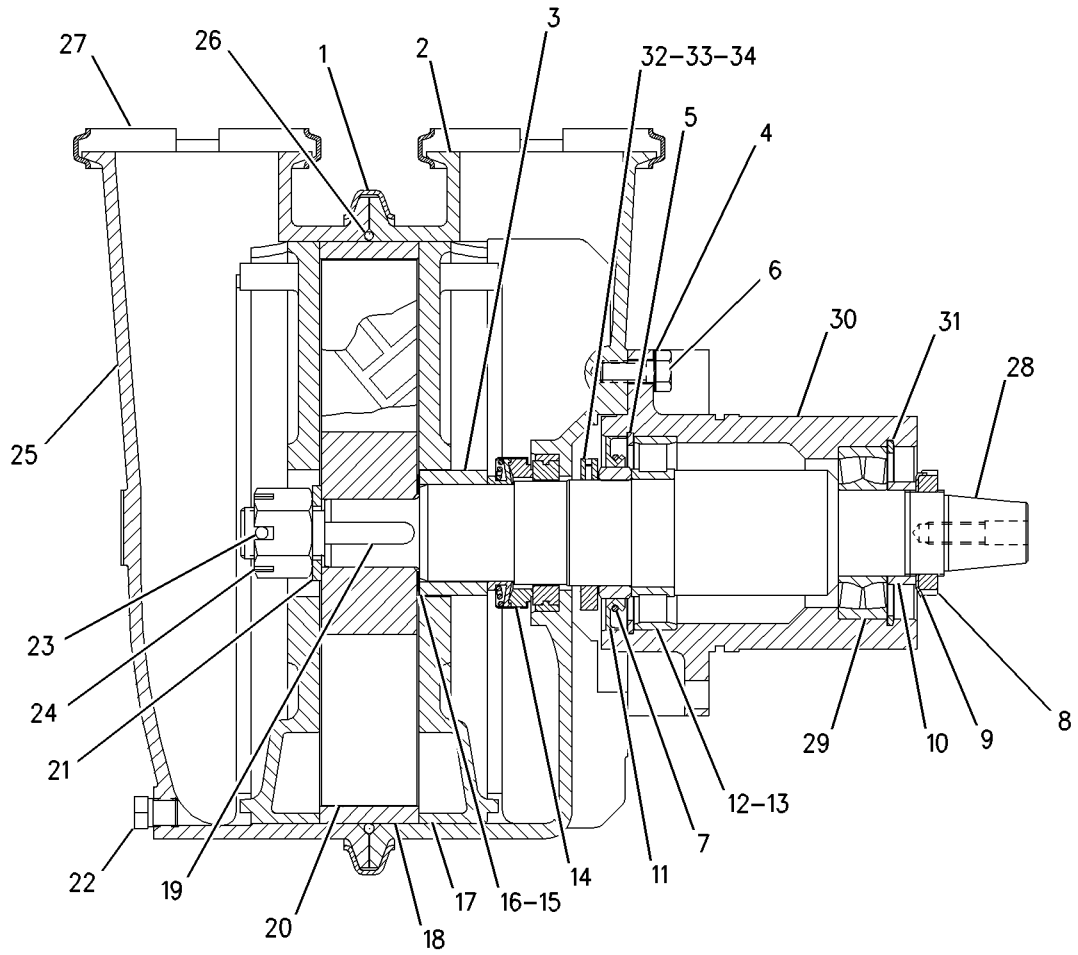
NOTE	REF NO	GRAPHIC REF	PART NUMBER	QTY	PART NAME						SEE PAGE
					1	2	3	4	5	6 (PRODUCT LEVEL)	
	1	1	<b>9Y-5066</b>	1	CLAMP AS						
	2	1	<b>9Y-5070</b>	1	BODY-DRIVE END						
	3	1	<b>112-9708</b>	1	SPACER						
	4	1	<b>3B-4507</b>	4	LOCKWASHER						
	5	1	<b>8T-0707</b>	1	RING-RETAINING (INTERNAL)						
M	6	1	<b>8T-4136</b>	4	BOLT (M10X1.5X25-MM)						
	7	1	<b>5N-2904</b>	1	COLLAR-SEAL						
	8	1	<b>8B-7614</b>	1	NUT-BEARING						
	9	1	<b>8B-7613</b>	1	LOCKNUT						
	10	1	<b>3N-8445</b>	1	SPACER (40.041X47X12-MM THK)						
	11	1	<b>5N-2902</b>	1	SEAL-OIL						
	12	1	<b>4M-6107</b>	1	BEARING-INNER						
	13	1	<b>8T-0209</b>	1	RACE-ROLLER BEARING						
	14	1	<b>5N-9006</b>	1	SEAL GP						
B	15	1	<b>5N-9015</b>	2	SHIM (0.38-MM THK)						
B	16	1	<b>5N-9016</b>	2	SHIM (0.25-MM THK)						
	17	1	<b>9Y-5069</b>	2	PLATE-PORT						
	18	1	<b>9Y-5065</b>	1	RING						
	19	1	<b>112-9709</b>	1	KEY						
	20	1	<b>9Y-5068</b>	1	IMPELLER						
	21	1	<b>5N-9014</b>	1	WASHER (25.5X44X4.3-MM THK)						
	22	1	<b>104-1718</b>	1	PLUG						
	23	1	<b>5N-9012</b>	1	PIN-COTTER						
M	24	1	<b>108-4877</b>	1	NUT-HEX SLOTTED (M24X3-THD)						
	25	1	<b>9Y-5071</b>	1	BODY-REAR						
	26	1	<b>9Y-5072</b>	1	SEAL						
	27	1	<b>5N-9018</b>	2	CLAMP AS						
	28	1	<b>122-3214</b>	1	SHAFT						
	29	1	<b>3N-8463</b>	1	BEARING-ROLLER						
	30	1	<b>6I-2092</b>	1	HOUSING-BEARING						
	31	1	<b>3E-4365</b>	1	RING-RETAINING						
	32	1	<b>175-4986</b>	1	RING-RETAINING						
	33	1	<b>175-4984</b>	2	SETSCREW-SOCKET						
	34	1	<b>175-4985</b>	1	SEAL-O-RING						

B - USE AS REQUIRED  
M - METRIC PART

# COOLING SYSTEM

124-0111 PUMP GP-AUXILIARY SEA WATER (contd.)

i04406549



GRAPHIC #1

<END>

g00636329

# COOLING SYSTEM

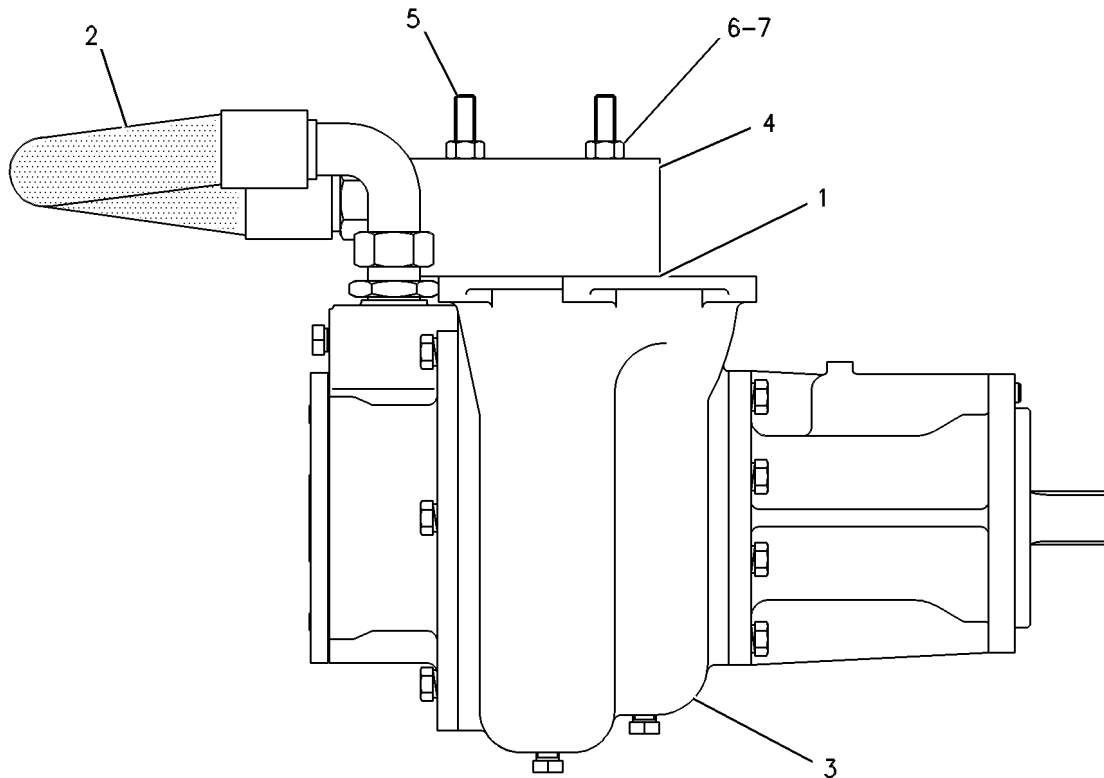
## 144-6080 PUMP GP-AUXILIARY SEA WATER\*R PART OF 144-6081 PUMP GP-AUXILIARY SEA WATER AN ATTACHMENT

SMCS-1371

i03869093

NOTE	REF NO	GRAPHIC REF	PART NUMBER	QTY	PART NAME						SEE PAGE
					1	2	3	4	5	6	
	1	1	<b>148-7996</b>	1	GASKET						
	2	1	<b>148-7997</b>	1	HOSE AS						
YR	3	1	<b>148-8000</b>	1	PUMP GP-AUXILIARY SEA WATER						719
Y	4	1	<b>148-8005</b>	1	VALVE GP-CHECK (AUXILIARY WATER PUMP)						793
	5	1	<b>148-8006</b>	4	ROD (M12X 112MM)						
M	6	1	<b>8T-4244</b>	4	NUT (M12X1.75-THD)						
	7	1	<b>7X-0584</b>	4	WASHER-HARD (13.5X20.5X2-MM THK)						

M - METRIC PART  
R - REMANUFACTURED PART MAY BE AVAILABLE  
Y - SEPARATE ILLUSTRATION



GRAPHIC #1

<END>

g00290507

# COOLING SYSTEM

## 144-6081 PUMP GP-AUXILIARY SEA WATER

AN ATTACHMENT

SMCS-1371

i02868387

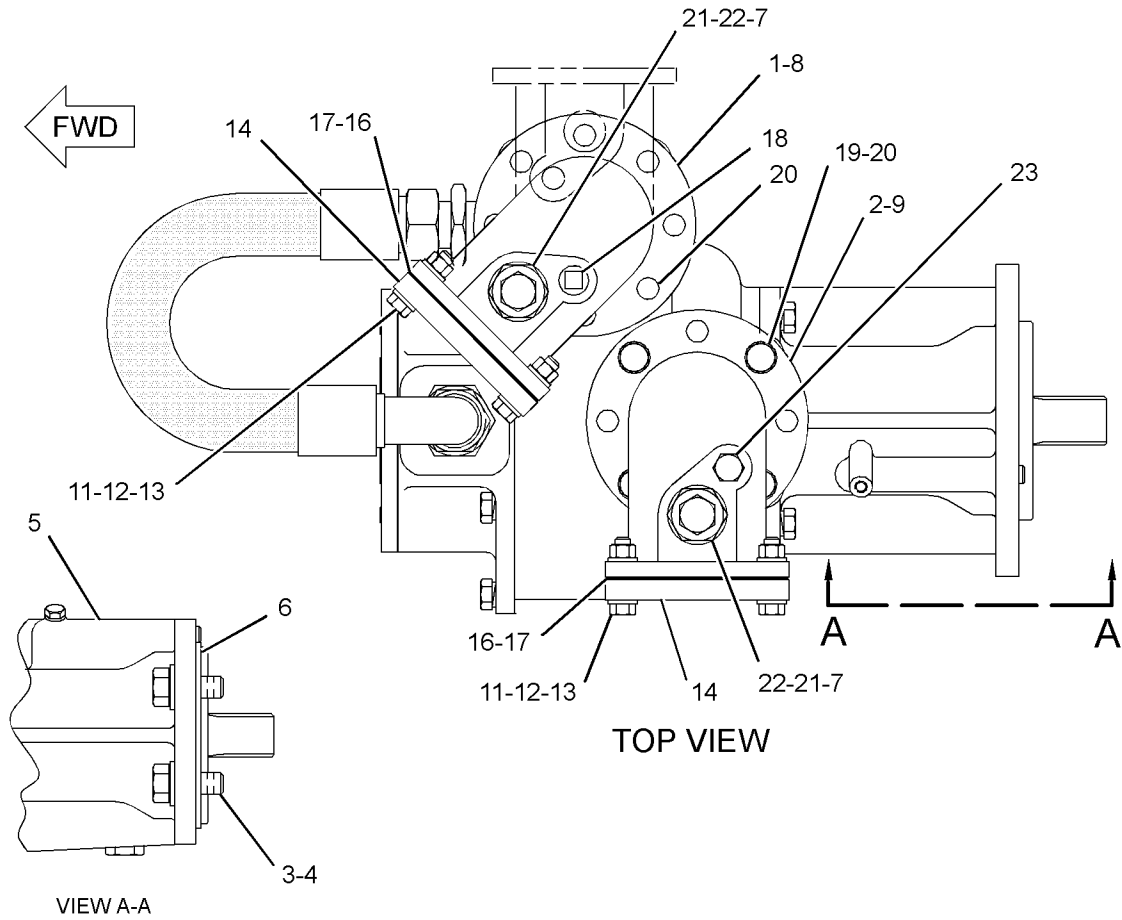
NOTE	REF NO	GRAPHIC REF	PART NUMBER	QTY	PART NAME						SEE PAGE
					1	2	3	4	5	6 (PRODUCT LEVEL)	
	1	1	<b>143-9207</b>	1	ELBOW						
	2	1	<b>143-9208</b>	1	ELBOW						
	3	1	<b>0S-1566</b>	4	BOLT (5/8-11X1.5-IN)						
	4	1	<b>5P-8247</b>	4	WASHER-HARD (17X32X3.5-MM THK)						
YR	5	1	<b>144-6080</b>	1	PUMP GP-AUXILIARY SEA WATER						716
	6	1	<b>9X-7371</b>	1	SEAL-O-RING						
	7	1	<b>8T-6766</b>	2	PLUG-PIPE						
	8	1	<b>144-6074</b>	1	GASKET						
	9	1	<b>144-6076</b>	1	GASKET						
	11	1	<b>5M-2894</b>	16	WASHER-HARD (10.2X18.5X2.5-MM THK)						
	12	1	<b>9S-8752</b>	8	NUT-FULL (3/8-16-THD)						
B	13	1	<b>0S-1571</b>	8	BOLT (3/8-16X1.75-IN)						
	14	1	<b>5N-1845</b>	2	FLANGE						
	16	1	<b>3P-6061</b>	2	GASKET						
B	17	1	<b>3P-6061</b>	2	GASKET						
	18	1	<b>6L-2280</b>	1	ROD-ZINC (AUXILIARY SEA WATER PUMP)						
		1	<b>233-8525</b>	1	PLUG-PIPE						
M	19	1	<b>8T-4192</b>	4	BOLT (M12X1.75X25-MM)						
	20	1	<b>7X-0584</b>	8	WASHER-HARD (13.5X20.5X2-MM THK)						
	21	1	<b>5L-5879</b>	2	ADAPTER AS						
	22	1	<b>5B-3265</b>	2	GASKET						
	23	1	<b>9B-0887</b>	1	PLUG-PIPE						

B - USE AS REQUIRED  
 M - METRIC PART  
 R - REMANUFACTURED PART MAY BE AVAILABLE  
 Y - SEPARATE ILLUSTRATION

# COOLING SYSTEM

144-6081 PUMP GP-AUXILIARY SEA WATER (contd.)

i02868387



GRAPHIC #1

<END>

g01179758



# COOLING SYSTEM

## 148-8000 PUMP GP-AUXILIARY SEA WATER\*R

PART OF 144-6080 PUMP GP-AUXILIARY SEA WATER  
AN ATTACHMENT

SMCS-1371

i03870138

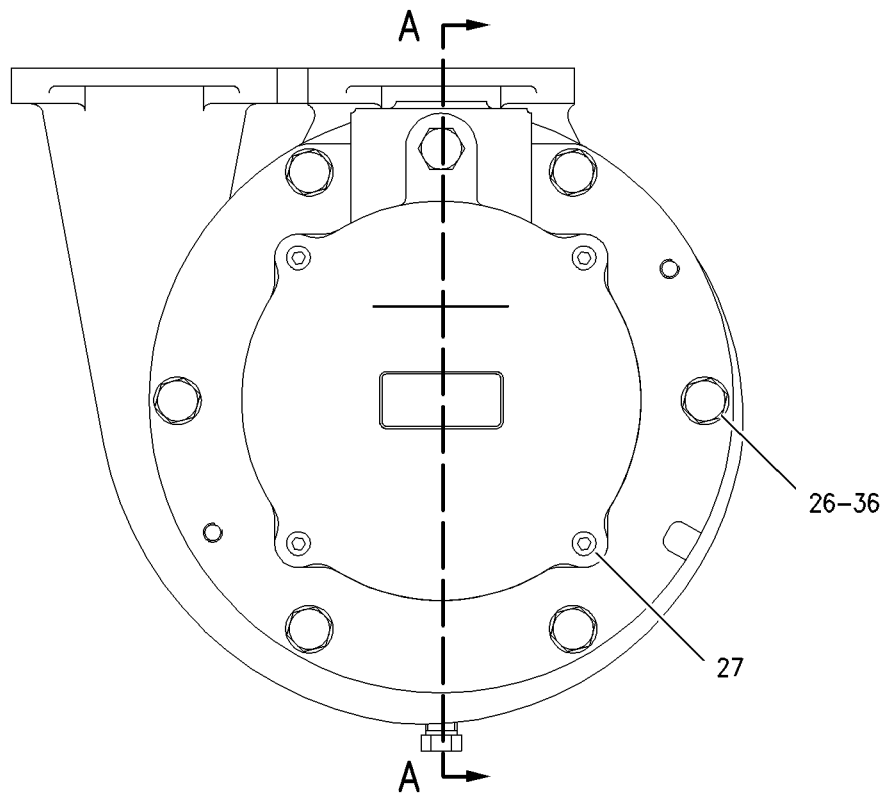
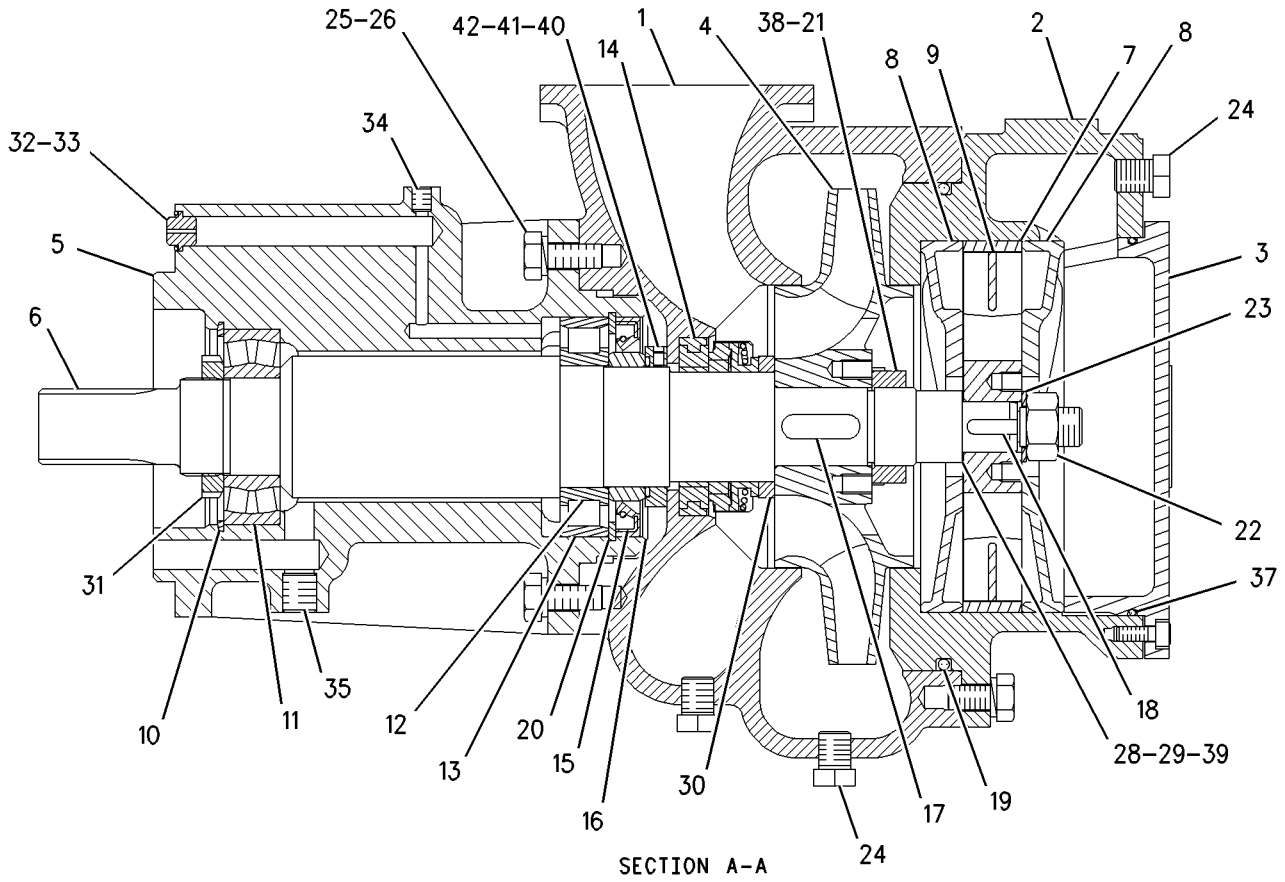
NOTE	REF NO	GRAPHIC REF	PART NUMBER	QTY	PART NAME						SEE PAGE
					1	2	3	4	5	6 (PRODUCT LEVEL)	
	1	1	148-7983	1	BODY-PUMP						
	2	1	148-7984	1	BODY-PUMP						
	3	1	148-7985	1	COVER						
	4	1	148-7986	1	IMPELLER-CENTRIFUGAL						
	5	1	148-7987	1	HOUSING-BEARING						
	6	1	148-7988	1	SHAFT-PUMP						
	7	1	148-7989	1	IMPELLER-SELF PRIMING						
	8	1	148-7990	2	PLATE						
	9	1	3N-8213	1	RING						
	10	1	107-5565	1	CLIP						
	11	1	3N-8463	1	BEARING-ROLLER						
	12	1	4M-6107	1	BEARING-INNER						
	13	1	8T-0209	1	RACE-ROLLER BEARING						
	14	1	5N-9006	1	SEAL GP						
	15	1	5N-2902	1	SEAL-OIL						
	16	1	5N-2904	1	COLLAR-SEAL						
	17	1	148-7991	1	KEY						
	18	1	148-7992	1	KEY						
	19	1	3N-8462	1	SEAL-O-RING						
	20	1	8T-0707	1	RING-RETAINING (INTERNAL)						
	21	1	148-7994	1	LOCKNUT (M32X1.5-THD)						
	22	1	148-7995	1	NUT (M16X2-THD)						
	23	1	149-4312	1	WASHER (17X30X3.5-MM THK)						
	24	1	104-1718	3	PLUG						
M	25	1	8T-4136	8	BOLT (M10X1.5X25-MM)						
	26	1	3B-4507	14	LOCKWASHER						
M	27	1	149-4311	4	BOLT-SOCKET HEAD (M6X1X16-MM)						
B	28	1	3N-8217	1	SHIM (0.25-MM THK)						
B	29	1	3N-8218	1	SHIM (0.38-MM THK)						
	30	1	148-7998	1	WASHER (45X58X6.6-MM THK)						
	31	1	8B-7614	1	NUT-BEARING						
	32	1	148-7999	1	INSERT-OIL JET						
	33	1	6V-8398	1	SEAL-O-RING						
M	34	1	9X-6279	1	SETSCREW-SOCKET (M8X1.25-THD)						
M	35	1	149-4156	1	SETSCREW-SOCKET (M16X2-THD)						
M	36	1	7X-0409	6	BOLT-HIGH TEMPERATURE (M10X1.5X20-MM)						
	37	1	146-6769	1	SEAL						
	38	1	175-4981	1	LOCKWASHER						
B	39	1	175-4982	1	SHIM (0.3-MM THK)						
	40	1	175-4983	1	RING-RETAINING						
	41	1	175-4984	2	SETSCREW-SOCKET						
	42	1	175-4985	1	SEAL-O-RING						

B - USE AS REQUIRED  
M - METRIC PART

# COOLING SYSTEM

148-8000 PUMP GP-AUXILIARY SEA WATER (contd.)

i03870138



GRAPHIC #1

<END>

g00646818

# COOLING SYSTEM

## 248-2857 PUMP GP-AUXILIARY SEA WATER

PART OF 248-2858 PUMP GP-AUXILIARY SEA WATER  
AN ATTACHMENT

SMCS-1371

i03194724

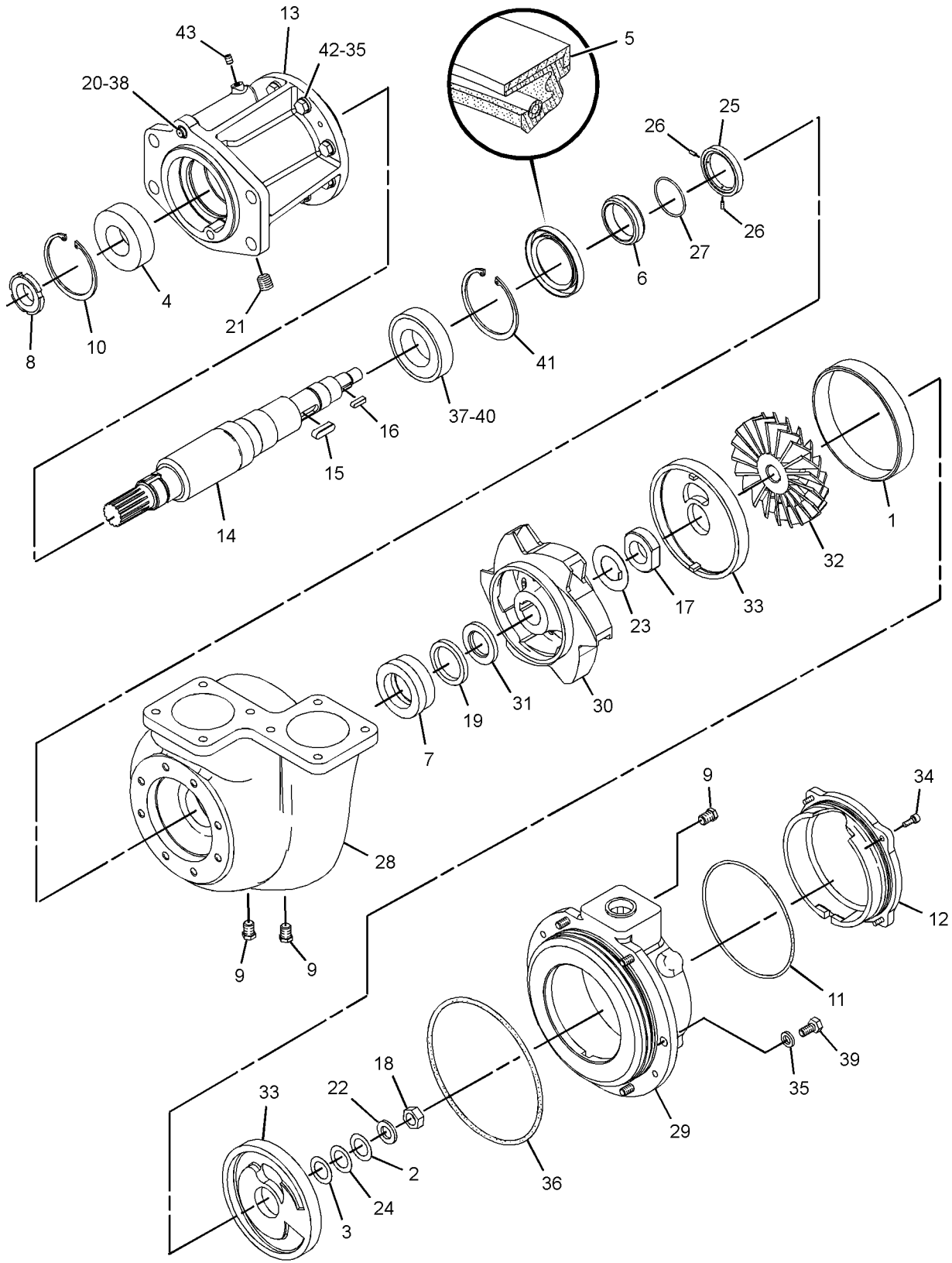
NOTE	REF NO	GRAPHIC REF	PART NUMBER	QTY	PART NAME						SEE PAGE
					1	2	3	4	5	6 (PRODUCT LEVEL)	
	1	1	<b>3N-8213</b>	1	RING						
	2	1	<b>3N-8217</b>	1	SHIM (0.25-MM THK)						
	3	1	<b>3N-8218</b>	1	SHIM (0.38-MM THK)						
	4	1	<b>3N-8463</b>	1	BEARING-ROLLER						
	5	1	<b>5N-2902</b>	1	SEAL-OIL						
	6	1	<b>5N-2904</b>	1	COLLAR-SEAL						
	7	1	<b>5N-9006</b>	1	SEAL GP						
	8	1	<b>8B-7614</b>	1	NUT-BEARING						
	9	1	<b>104-1718</b>	3	PLUG						
	10	1	<b>107-5565</b>	1	CLIP						
	11	1	<b>146-6769</b>	1	SEAL						
	12	1	<b>148-7985</b>	1	COVER						
	13	1	<b>148-7987</b>	1	HOUSING-BEARING						
	14	1	<b>148-7988</b>	1	SHAFT-PUMP						
	15	1	<b>148-7991</b>	1	KEY						
	16	1	<b>148-7992</b>	1	KEY						
	17	1	<b>148-7994</b>	1	LOCKNUT (M32X1.5-THD)						
	18	1	<b>148-7995</b>	1	NUT (M16X2-THD)						
	19	1	<b>148-7998</b>	1	WASHER (45X58X6.6-MM THK)						
	20	1	<b>148-7999</b>	1	INSERT-OIL JET						
M	21	1	<b>149-4156</b>	1	SETSCREW-SOCKET (M16X2-THD)						
	22	1	<b>149-4312</b>	1	WASHER (17X30X3.5-MM THK)						
	23	1	<b>175-4981</b>	1	LOCKWASHER						
	24	1	<b>175-4982</b>	1	SHIM (0.3-MM THK)						
	25	1	<b>175-4983</b>	1	RING-RETAINING						
	26	1	<b>175-4984</b>	2	SETSCREW-SOCKET						
	27	1	<b>175-4985</b>	1	SEAL-O-RING						
	28	1	<b>284-1085</b>	1	BODY-PUMP						
	29	1	<b>284-1086</b>	1	BODY-PUMP						
	30	1	<b>284-1087</b>	1	IMPELLER						
	31	1	<b>284-1088</b>	1	WASHER-THRUST						
	32	1	<b>329-9238</b>	1	IMPELLER						
	33	1	<b>329-9239</b>	2	PLATE						
M	34	1	<b>149-4311</b>	4	BOLT-SOCKET HEAD (M6X1X16-MM)						
	35	1	<b>3B-4507</b>	14	LOCKWASHER						
	36	1	<b>3N-8462</b>	1	SEAL-O-RING						
	37	1	<b>4M-6107</b>	1	BEARING-INNER						
	38	1	<b>6V-8398</b>	1	SEAL-O-RING						
M	39	1	<b>7X-0409</b>	6	BOLT-HIGH TEMPERATURE (M10X1.5X20-MM)						
	40	1	<b>8T-0209</b>	1	RACE-ROLLER BEARING						
	41	1	<b>8T-0707</b>	1	RING-RETAINING (INTERNAL)						
M	42	1	<b>8T-4136</b>	8	BOLT (M10X1.5X25-MM)						
M	43	1	<b>9X-6279</b>	1	SETSCREW-SOCKET (M8X1.25-THD)						

M - METRIC PART

# COOLING SYSTEM

248-2857 PUMP GP-AUXILIARY SEA WATER (contd.)

i03194724



GRAPHIC #1

<END>

g01629193

# COOLING SYSTEM

## 248-2858 PUMP GP-AUXILIARY SEA WATER

PART OF 260-8660 PUMP GP-AUXILIARY SEA WATER

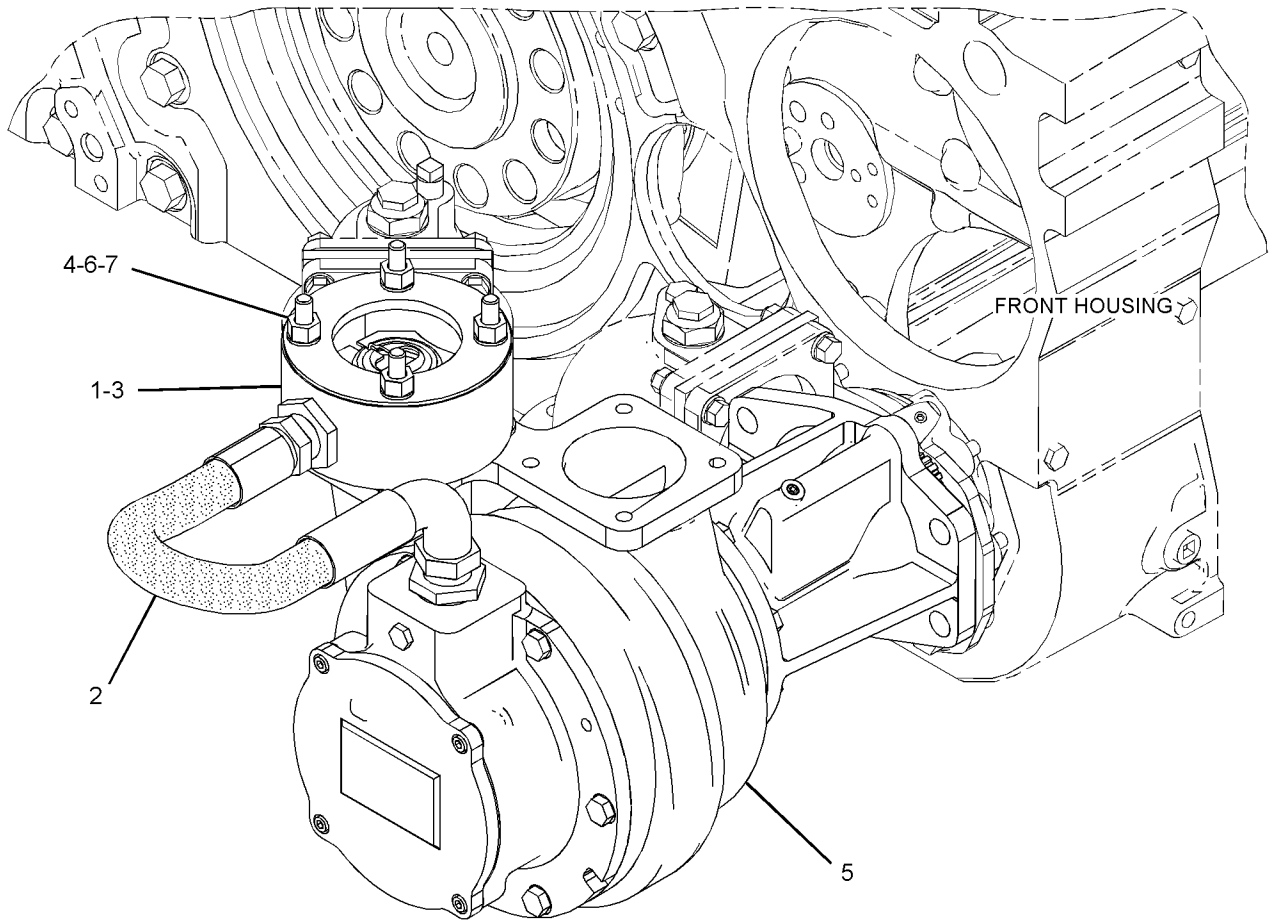
AN ATTACHMENT

SMCS-1371

i03869098

NOTE	REF NO	GRAPHIC REF	PART NUMBER	QTY	PART NAME						SEE PAGE
					1	2	3	4	5	6 (PRODUCT LEVEL)	
	1	1	<b>148-7996</b>	1	GASKET						
	2	1	<b>148-7997</b>	1	HOSE AS						
Y	3	1	<b>148-8005</b>	1	VALVE GP-CHECK (AUXILIARY WATER PUMP)						793
	4	1	<b>148-8006</b>	4	ROD						
Y	5	1	<b>248-2857</b>	1	PUMP GP-AUXILIARY SEA WATER						721
	6	1	<b>7X-0584</b>	4	WASHER-HARD (13.5X20.5X2-MM THK)						
M	7	1	<b>8T-4244</b>	4	NUT (M12X1.75-THD)						

M - METRIC PART  
Y - SEPARATE ILLUSTRATION



GRAPHIC #1

<END>

g02034134

# COOLING SYSTEM

## 260-8660 PUMP GP-AUXILIARY SEA WATER AN ATTACHMENT

SMCS-1371

i03863190

NOTE	REF NO	GRAPHIC REF	PART NUMBER	QTY	PART NAME						SEE PAGE
					1	2	3	4	5	6	
	1	1	<b>143-9208</b>	2	ELBOW						
	2	1	<b>0S-1566</b>	4	BOLT (5/8-11X1.5-IN)						
	3	1	<b>5P-8247</b>	4	WASHER-HARD (17X32X3.5-MM THK)						
Y	4	1	<b>248-2858</b>	1	PUMP GP-AUXILIARY SEA WATER						723
	5	1	<b>9X-7371</b>	1	SEAL-O-RING						
	6	1	<b>8T-6766</b>	2	PLUG-PIPE						
	7	1	<b>144-6074</b>	1	GASKET						
	8	1	<b>144-6076</b>	1	GASKET						
	9	1	<b>0S-1590</b>	8	BOLT (3/8-16X2-IN)						
	10	1	<b>5M-2894</b>	16	WASHER-HARD (10.2X18.5X2.5-MM THK)						
	11	1	<b>9S-8752</b>	8	NUT-FULL (3/8-16-THD)						
	12	1	<b>0S-1571</b>	8	BOLT (3/8-16X1.75-IN)						
	13	1	<b>5N-1845</b>	2	FLANGE						
	14	1	<b>2N-0822</b>	2	PLATE						
	15	1	<b>3P-6061</b>	4	GASKET						
	17	1	<b>6L-2280</b>	1	ROD-ZINC (AUXILIARY SEA WATER PUMP)						
	17A	1	<b>233-8525</b>	1	PLUG-PIPE						
M	18	1	<b>8T-4192</b>	4	BOLT (M12X1.75X25-MM)						
	19	1	<b>7X-0584</b>	8	WASHER-HARD (13.5X20.5X2-MM THK)						
	20	1	<b>5L-5879</b>	2	ADAPTER AS						
	21	1	<b>5B-3265</b>	2	GASKET						
	22	1	<b>9B-0887</b>	1	PLUG-PIPE						

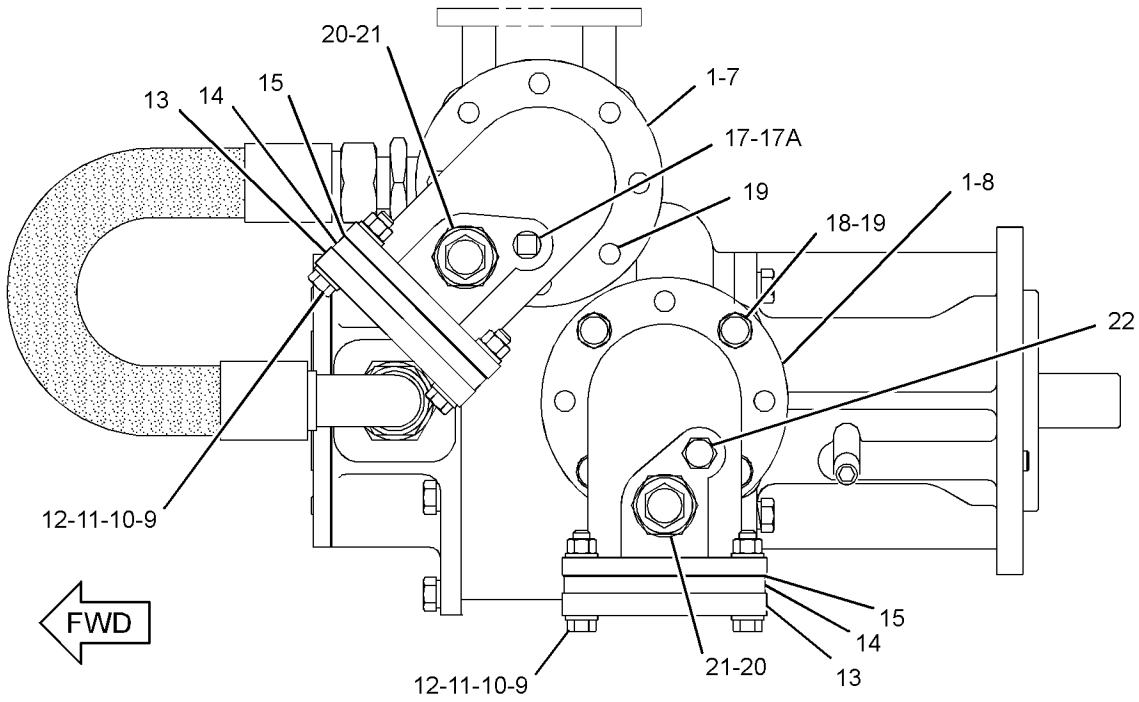
M - METRIC PART

Y - SEPARATE ILLUSTRATION

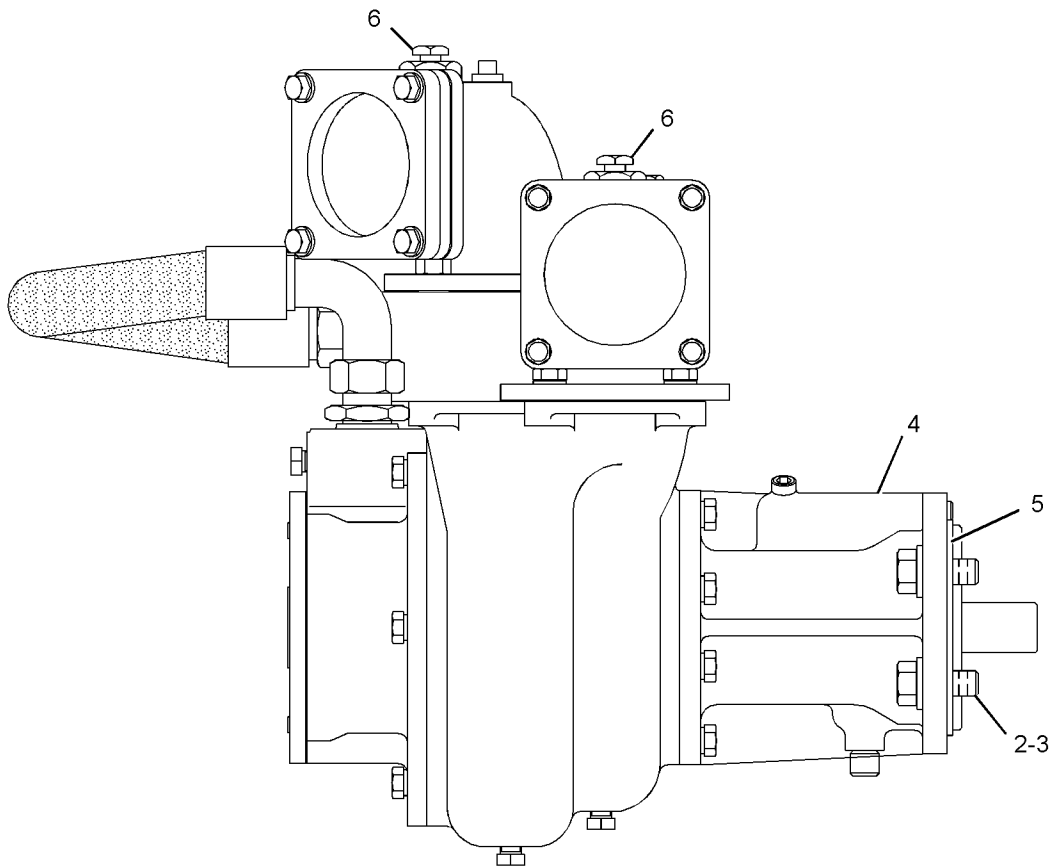
# COOLING SYSTEM

260-8660 PUMP GP-AUXILIARY SEA WATER (contd.)

103863190



TOP VIEW



LEFT SIDE VIEW

GRAPHIC #1

<END>

g02024613

# COOLING SYSTEM

## 315-5137 PUMP GP-AUXILIARY SEA WATER\*R PART OF 8N-8466 PUMP GP-AUXILIARY SEA WATER AN ATTACHMENT

SMCS-1371

i03886489

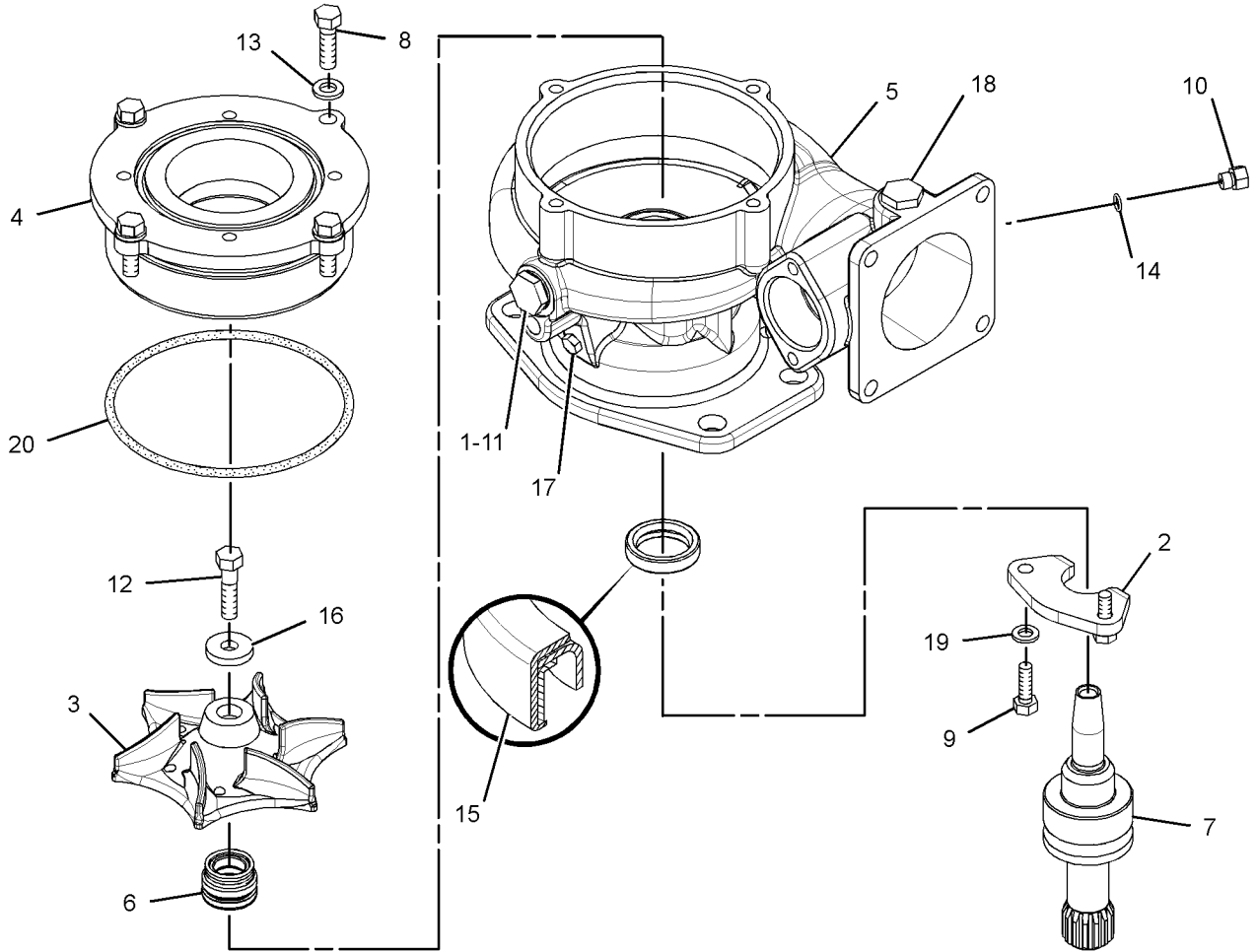
NOTE	REF NO	GRAPHIC REF	PART NUMBER	QTY	PART NAME						SEE PAGE
					1	2	3	4	5	6 (PRODUCT LEVEL)	
	1	1	<b>3F-1358</b>	1	PLUG-DRAIN (AUXILIARY SEA WATER PUMP)						
	2	1	<b>7N-4758</b>	1	WASHER-THRUST						
	3	1	<b>8N-8455</b>	1	IMPELLER-PUMP						
	4	1	<b>8N-8461</b>	1	ADAPTER						
	5	1	<b>8N-8464</b>	1	HOUSING AS						
	6	1	<b>262-4378</b>	1	SEAL AS-WATER PUMP						
	7	1	<b>315-5136</b>	1	SHAFT AS						
	8	1	<b>0S-1588</b>	4	BOLT (3/8-16X1.25-IN)						
	9	1	<b>0S-1618</b>	2	BOLT (5/16-18X1-IN)						
	10	1	<b>1N-5999</b>	1	PLUG-O-RING						
	11	1	<b>2A-1162</b>	1	GASKET						
	12	1	<b>3H-5844</b>	1	BOLT (3/8-16X1.5-IN)						
	13	1	<b>5M-2894</b>	4	WASHER-HARD (10.2X18.5X2.5-MM THK)						
	14	1	<b>7J-0204</b>	1	SEAL-O-RING						
	15	1	<b>8C-5236</b>	1	SEAL-LIP TYPE						
	16	1	<b>8N-8456</b>	1	WASHER (10.2X28.5X5-MM THK)						
	17	1	<b>8T-6764</b>	1	PLUG-PIPE (1/8-27-THD)						
	18	1	<b>8T-6766</b>	1	PLUG-PIPE						
	19	1	<b>9M-1974</b>	2	WASHER-HARD (8.8X16X2-MM THK)						
	20	1	<b>9M-3786</b>	1	SEAL-O-RING						



# COOLING SYSTEM

315-5137 PUMP GP-AUXILIARY SEA WATER (contd.)

103886489



GRAPHIC #1

<END>

g01467007

# COOLING SYSTEM

## 4W-6673 PUMP GP-AUXILIARY SEA WATER

FOR USAGE REFER TO CHART 8N-7500-PAGE: 2103

AN ATTACHMENT

TYPE 1

SMCS-1371

i02664888

NOTE	REF NO	GRAPHIC REF	PART NUMBER	QTY	PART NAME						SEE PAGE
					1	2	3	4	5	6 (PRODUCT LEVEL)	
	1	1	<b>5L-5879</b>	2	ADAPTER AS						
		1	<b>5B-3265</b>	2	GASKET						
	2	1	<b>4J-4382</b>	2	PLUG-PIPE						
	3	1	<b>5N-1845</b>	2	FLANGE						
B	4	1	<b>3P-6061</b>	4	GASKET						
	5	1	<b>0S-1571</b>	9	BOLT (3/8-16X1.75-IN)						
	6	1	<b>1D-4717</b>	8	NUT (3/8-16-THD)						
	7	1	<b>5M-2894</b>	19	WASHER-HARD (10.2X18.5X2.5-MM THK)						
	8	1	<b>2W-7989</b>	1	ELBOW-WATER PUMP						
		1	<b>6L-2280</b>	1	ROD-ZINC (AUXILIARY SEA WATER PUMP)						
		1	<b>6L-2279</b>	1	PLUG-PIPE						
	9	1	<b>9S-4180</b>	1	PLUG						
		1	<b>4J-7533</b>	1	SEAL-O-RING						
	10	1	<b>4W-6676</b>	1	GEAR (22-TEETH)						
	11	1	<b>0L-1351</b>	4	BOLT (3/8-16X0.875-IN)						
	12	1	<b>2M-4453</b>	1	SEAL-O-RING						
	13	1	<b>8M-5255</b>	1	SEAL-O-RING						
	14	1	<b>0S-1594</b>	6	BOLT (3/8-16X1-IN)						
	15	1	<b>9L-8781</b>	1	WASHER (0.406X1.5X0.188-IN THK)						
	16	1	<b>5N-1755</b>	1	GEAR (31-TEETH)						
	17	1	<b>4W-6677</b>	1	HOUSING AS						
		1	<b>127-5400</b>	1	BUSHING						
	18	1	<b>0T-0768</b>	4	BOLT (7/16-14X1.75-IN)						
		1	<b>1D-4718</b>	4	NUT-FULL (7/16-14-THD)						
	19	1	<b>2H-3934</b>	1	SEAL-O-RING						
Y	20	1	<i>5N-2600</i>	1	PUMP GP-AUXILIARY SEA WATER						734
	21	1	<b>8B-6283</b>	2	GASKET						
	22	1	<b>2W-7990</b>	1	ELBOW-WATER PUMP						
	23	1	<b>9B-0887</b>	1	PLUG-PIPE						
	24	1	<b>4K-9841</b>	3	WASHER (0.406X0.75X0.064-IN THK) (COPPER)						

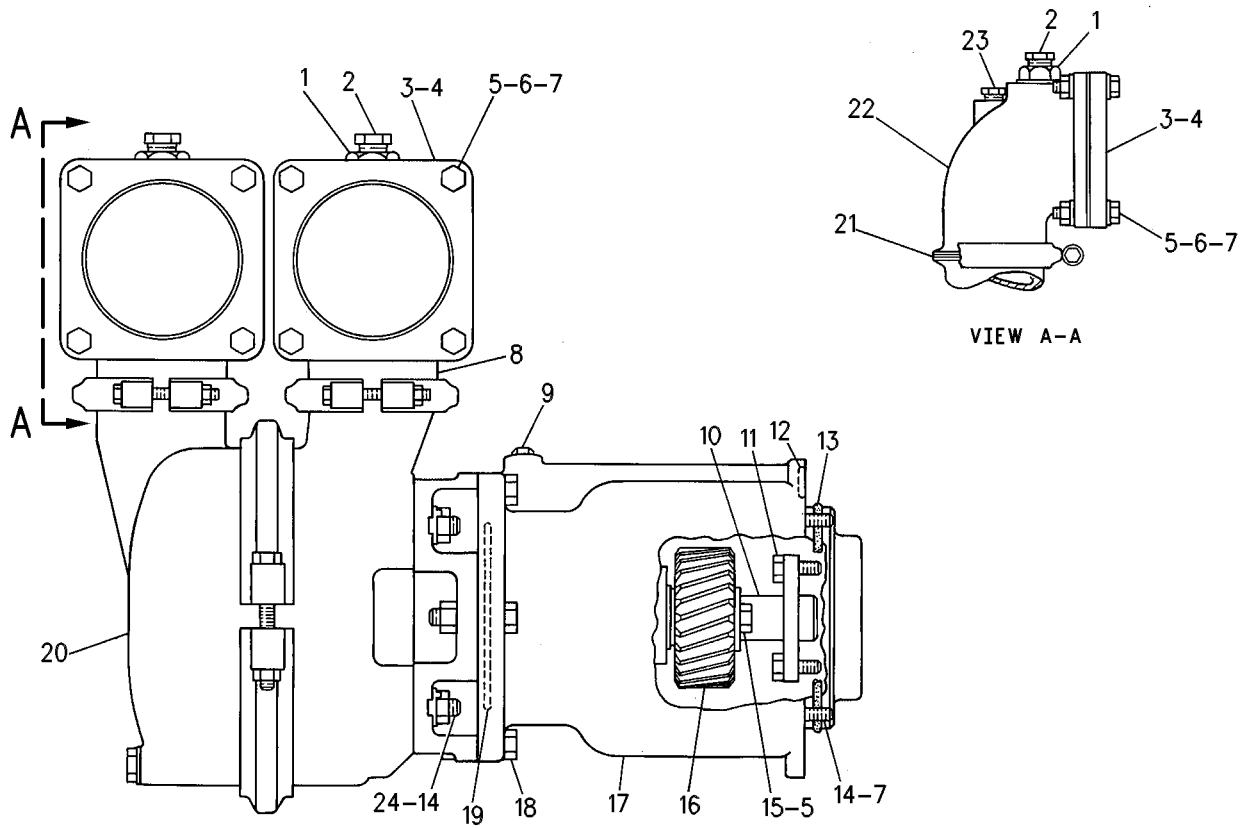
B - USE AS REQUIRED

Y - SEPARATE ILLUSTRATION

# COOLING SYSTEM

4W-6673 PUMP GP-AUXILIARY SEA WATER (contd.)

102664888



GRAPHIC #1

<END>

g00480352

# COOLING SYSTEM

## 4W-6673 PUMP GP-AUXILIARY SEA WATER

FOR USAGE REFER TO CHART 8N-7500-PAGE: 2103

AN ATTACHMENT

TYPE 2

SMCS-1371

i07108803

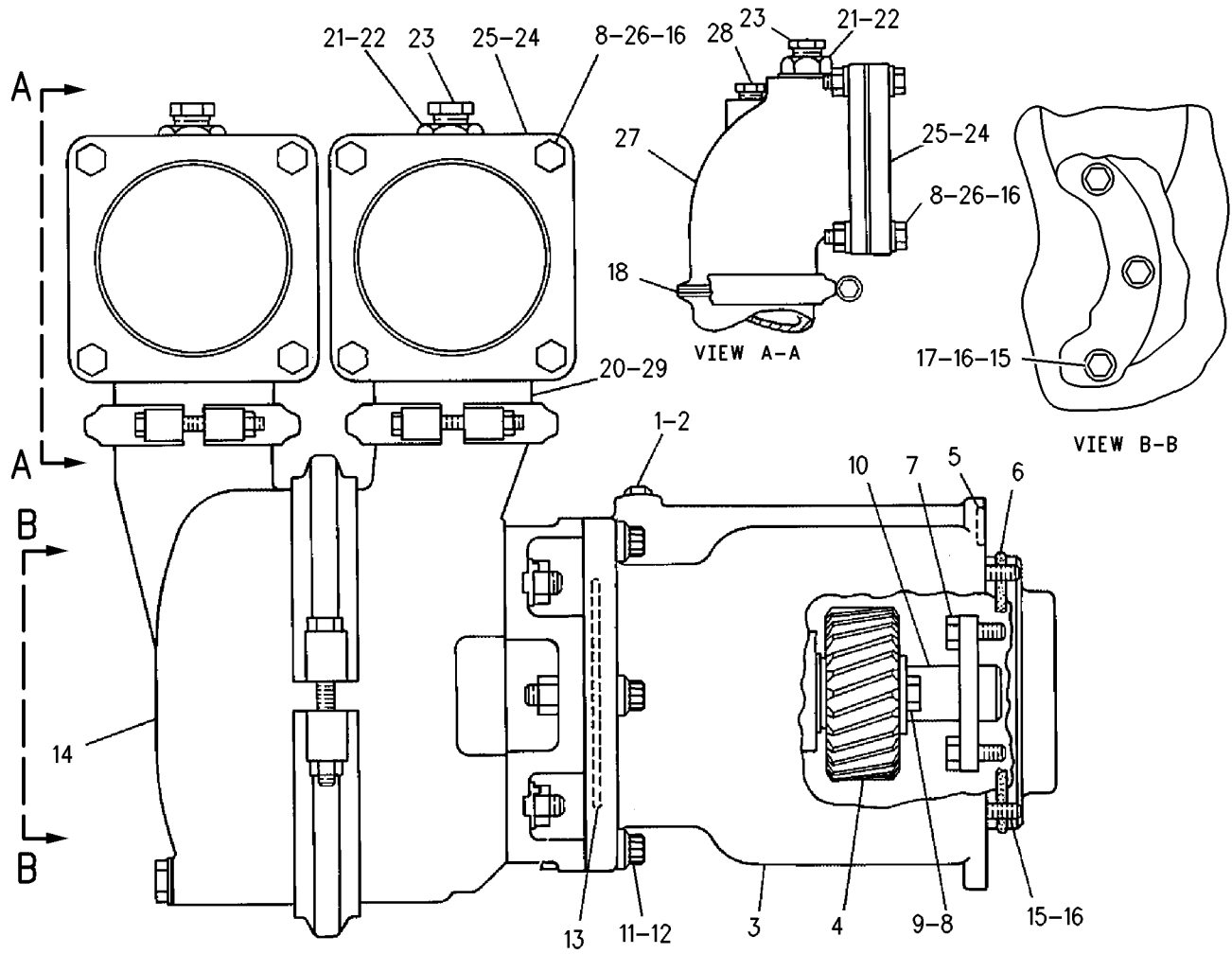
NOTE	REF NO	GRAPHIC REF	PART NUMBER	QTY	PART NAME						SEE PAGE
					1	2	3	4	5	6 (PRODUCT LEVEL)	
	1	1	<b>9S-4180</b>	1	PLUG						
	2	1	<b>4J-7533</b>	1	SEAL-O-RING						
	3	1	<b>4W-6677</b>	1	HOUSING AS						
		1	<b>127-5400</b>	1	BUSHING						
	4	1	<b>5N-1755</b>	1	GEAR (31-TEETH)						
	5	1	<b>5P-0840</b>	1	SEAL-O-RING						
	6	1	<b>235-3548</b>	1	SEAL-O-RING						
	7	1	<b>0L-1351</b>	4	BOLT (3/8-16X0.875-IN)						
	8	1	<b>0S-1571</b>	9	BOLT (3/8-16X1.75-IN)						
	9	1	<b>9L-8781</b>	1	WASHER (0.406X1.5X0.188-IN THK)						
	10	1	<b>4W-6676</b>	1	GEAR (22-TEETH)						
	11	1	<b>5P-7972</b>	4	BOLT-12 POINT HEAD (7/16-14X1.75-IN)						
	12	1	<b>3S-1546</b>	4	NUT-FULL (7/16-14-THD)						
	13	1	<b>2H-3934</b>	1	SEAL-O-RING						
YCR	14	1	<b>7C-3614</b>	1	PUMP GP-AUXILIARY SEA WATER						742
	15	1	<b>0S-1594</b>	6	BOLT (3/8-16X1-IN)						
	16	1	<b>5M-2894</b>	22	WASHER-HARD (10.2X18.5X2.5-MM THK)						
	17	1	<b>8J-6775</b>	3	SEAL-THREAD						
	18	1	<b>8B-6283</b>	2	GASKET						
	20	1	<b>2W-7989</b>	1	ELBOW-WATER PUMP						
	21	1	<b>5L-5879</b>	2	ADAPTER AS						
	22	1	<b>5B-3265</b>	2	GASKET						
	23	1	<b>8T-6766</b>	2	PLUG-PIPE						
	24	1	<b>3P-6061</b>	4	GASKET						
	25	1	<b>5N-1845</b>	2	FLANGE						
	26	1	<b>9S-8752</b>	8	NUT-FULL (3/8-16-THD)						
	27	1	<b>2W-7990</b>	1	ELBOW-WATER PUMP						
	28	1	<b>9B-0887</b>	1	PLUG-PIPE						
	29	1	<b>6L-2280</b>	1	ROD-ZINC (AUXILIARY SEA WATER PUMP)						
			<b>6L-2279</b>	1	PLUG-PIPE						

C - CHANGE FROM PREVIOUS TYPE  
R - REMANUFACTURED PART MAY BE AVAILABLE  
Y - SEPARATE ILLUSTRATION

# COOLING SYSTEM

4W-6673 PUMP GP-AUXILIARY SEA WATER (contd.)

i07108803



GRAPHIC #1

<END>

g00774524

# COOLING SYSTEM

## 4W-6674 PUMP GP-AUXILIARY SEA WATER

FOR USAGE REFER TO CHART 8N-7500-PAGE: 2103

AN ATTACHMENT

SMCS-1371

i07107724

NOTE	REF NO	GRAPHIC REF	PART NUMBER	QTY	PART NAME						SEE PAGE
					1	2	3	4	5	6 (PRODUCT LEVEL)	
	1	1	<b>9S-4180</b>	1	PLUG						
	2	1	<b>4J-7533</b>	1	SEAL-O-RING						
	3	1	<b>4W-6677</b>	1	HOUSING AS						
		1	<b>127-5400</b>	1	BUSHING						
	4	1	<b>8N-5839</b>	1	GEAR-PUMP (31-TEETH)						
	5	1	<b>5P-0840</b>	1	SEAL-O-RING						
	6	1	<b>259-4598</b>	1	SEAL-O-RING						
	7	1	<b>0L-1351</b>	4	BOLT (3/8-16X0.875-IN)						
	8	1	<b>0S-1571</b>	9	BOLT (3/8-16X1.75-IN)						
	9	1	<b>9L-8781</b>	1	WASHER (0.406X1.5X0.188-IN THK)						
	10	1	<b>4W-6675</b>	1	GEAR-PUMP DRIVE (19-TEETH) (19 TEETH)						
	11	1	<b>5P-7972</b>	4	BOLT-12 POINT HEAD (7/16-14X1.75-IN)						
	12	1	<b>3S-1546</b>	4	NUT-FULL (7/16-14-THD)						
	13	1	<b>2H-3934</b>	1	SEAL-O-RING						
YR	14	1	<b>5N-5757</b>	1	PUMP GP-AUXILIARY SEA WATER						736
	15	1	<b>0S-1594</b>	6	BOLT (3/8-16X1-IN)						
	16	1	<b>5M-2894</b>	22	WASHER-HARD (10.2X18.5X2.5-MM THK)						
	17	1	<b>8J-6775</b>	3	SEAL-THREAD						
	18	1	<b>5N-5977</b>	2	GASKET						
	20	1	<b>5N-5860</b>	1	ELBOW-WATER PUMP						
	21	1	<b>5L-5879</b>	2	ADAPTER AS						
	22	1	<b>5B-3265</b>	2	GASKET						
	23	1	<b>4J-4382</b>	2	PLUG-PIPE						
	24	1	<b>3P-6061</b>	2	GASKET						
	25	1	<b>5N-1845</b>	2	FLANGE						
	26	1	<b>9S-8752</b>	8	NUT-FULL (3/8-16-THD)						
	27	1	<b>5N-5886</b>	1	ELBOW-WATER PUMP						
	28	1	<b>9B-0887</b>	1	PLUG-PIPE						
	29	1	<b>233-8525</b>	1	PLUG-PIPE						
			<b>6L-2280</b>	1	ROD-ZINC (AUXILIARY SEA WATER PUMP)						

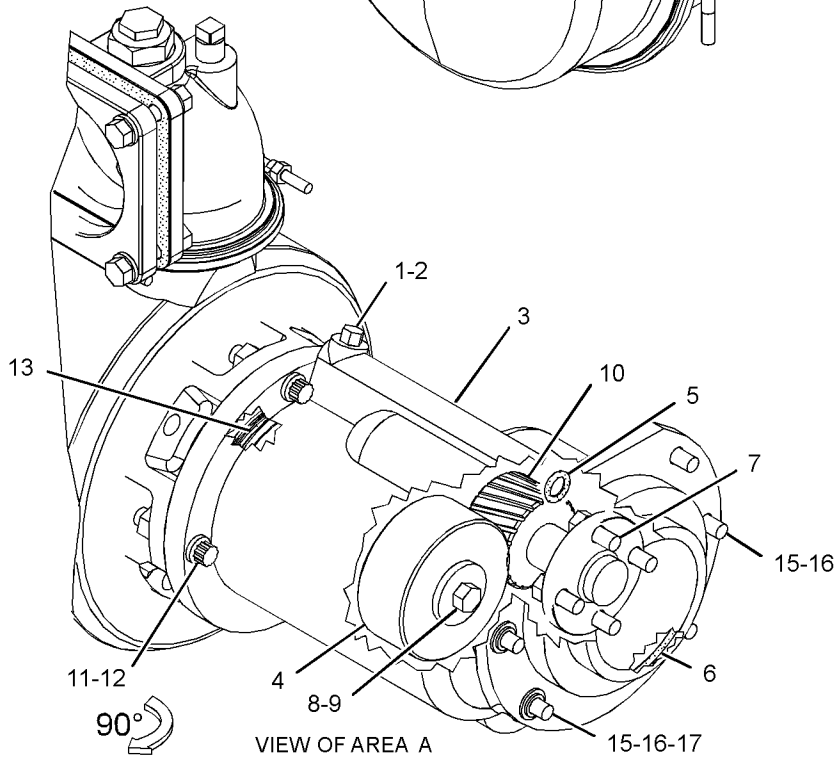
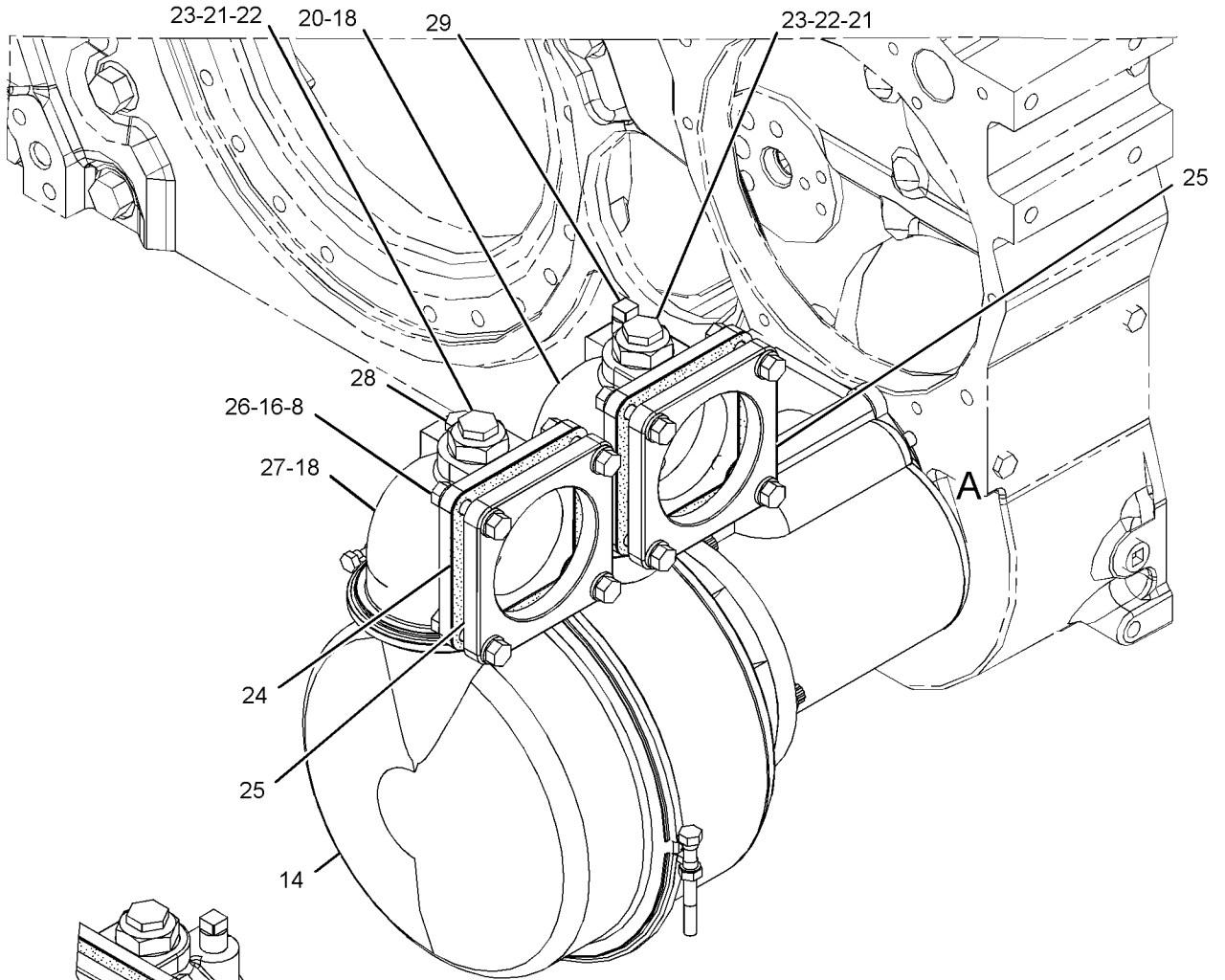
R - REMANUFACTURED PART MAY BE AVAILABLE

Y - SEPARATE ILLUSTRATION

# COOLING SYSTEM

4W-6674 PUMP GP-AUXILIARY SEA WATER (contd.)

i07107724



VIEW OF AREA A

<END>

GRAPHIC #1

g02492361

# COOLING SYSTEM

## 5N-2600 PUMP GP-AUXILIARY SEA WATER

PART OF 4W-6673 PUMP GP-AUXILIARY SEA WATER

AN ATTACHMENT

SMCS-1371

i02017756

NOTE	REF NO	GRAPHIC REF	PART NUMBER	QTY	PART NAME						SEE PAGE
					1	2	3	4	5	6 (PRODUCT LEVEL)	
	1	1	<b>3N-8468</b>	2	CLAMP AS						
	2	1	<b>3N-8462</b>	1	SEAL-O-RING						
	3	1	<b>3N-8469</b>	1	CLAMP AS						
		1	<b>1D-4540</b>	2	BOLT (5/16-18X2.75-IN)						
		1	<b>1D-4716</b>	2	NUT-FULL (5/16-18-THD)						
	4	1	<b>3N-8444</b>	1	THROWER-WATER						
	5	1	<b>3N-8447</b>	1	BODY-DRIVE END						
	6	1	<b>9M-5082</b>	4	STUD-TAPERLOCK						
		1	<b>1D-4718</b>	4	NUT-FULL (7/16-14-THD)						
		1	<b>3H-8027</b>	4	LOCK						
	7	1	<b>3N-8466</b>	1	RING-RETAINING						
	8	1	<b>3N-8456</b>	1	HOUSING-BEARING						
	9	1	<b>3N-8453</b>	1	HOUSING-SEAL						
	10	1	<b>0S-1615</b>	3	BOLT (1/4-20X0.75-IN)						
		1	<b>7F-2836</b>	3	LOCK						
	11	1	<b>3N-8451</b>	1	SHAFT						
	12	1	<b>8B-7614</b>	1	NUT-BEARING						
		1	<b>8B-7613</b>	1	LOCKNUT						
	13	1	<b>3N-8445</b>	1	SPACER (40.041X47X12-MM THK)						
	14	1	<b>3N-8463</b>	1	BEARING-ROLLER						
	15	1	<b>3N-8464</b>	1	BEARING-ROLLER						
	16	1	<b>5N-2904</b>	1	COLLAR-SEAL						
	17	1	<b>5N-2902</b>	1	SEAL-OIL						
	18	1	<b>3N-8467</b>	1	RING-CONTACT						
		1	<b>3N-8470</b>	1	SEAL-MECHANICAL						
	19	1	<b>3N-8442</b>	1	SPACER-SPECIAL						
	20	1	<b>5N-2618</b>	1	IMPELLER						
	21	1	<b>3N-8452</b>	1	RING						
	22	1	<b>5N-4504</b>	2	PLATE-PORT						
	23	1	<b>3N-8448</b>	1	BODY-DRIVE END						
	24	1	<b>3N-8216</b>	1	PLUG						
		1	<b>3N-8215</b>	1	WASHER						
B	25	1	<b>3N-8441</b>	2	SHIM (0.38-MM THK)						
B		1	<b>3N-8455</b>	2	SHIM (0.25-MM THK)						
	26	1	<b>3H-1396</b>	1	NUT-SLOTTED						
		1	<b>3N-8446</b>	1	WASHER (21X37X3.3-MM THK)						
		1	<b>3B-4621</b>	1	PIN-COTTER						
	27	1	<b>5N-4501</b>	1	KEY						

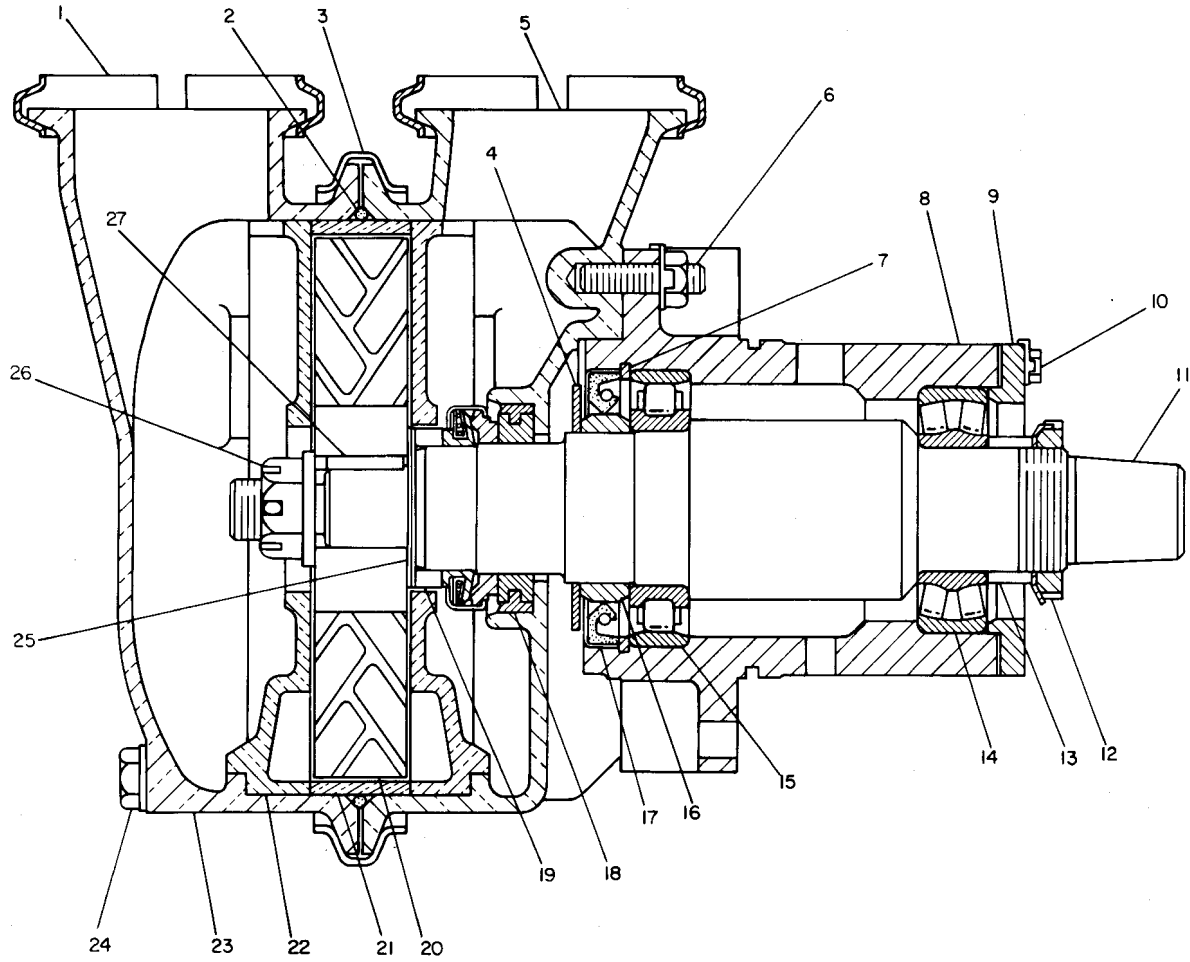
B - USE AS REQUIRED



# COOLING SYSTEM

5N-2600 PUMP GP-AUXILIARY SEA WATER (contd.)

102017756



GRAPHIC #1

<END>

g00145075

# COOLING SYSTEM

## 5N-5757 PUMP GP-AUXILIARY SEA WATER\*R

PART OF 4W-6674 PUMP GP-AUXILIARY SEA WATER

AN ATTACHMENT

TYPE 1

SMCS-1371

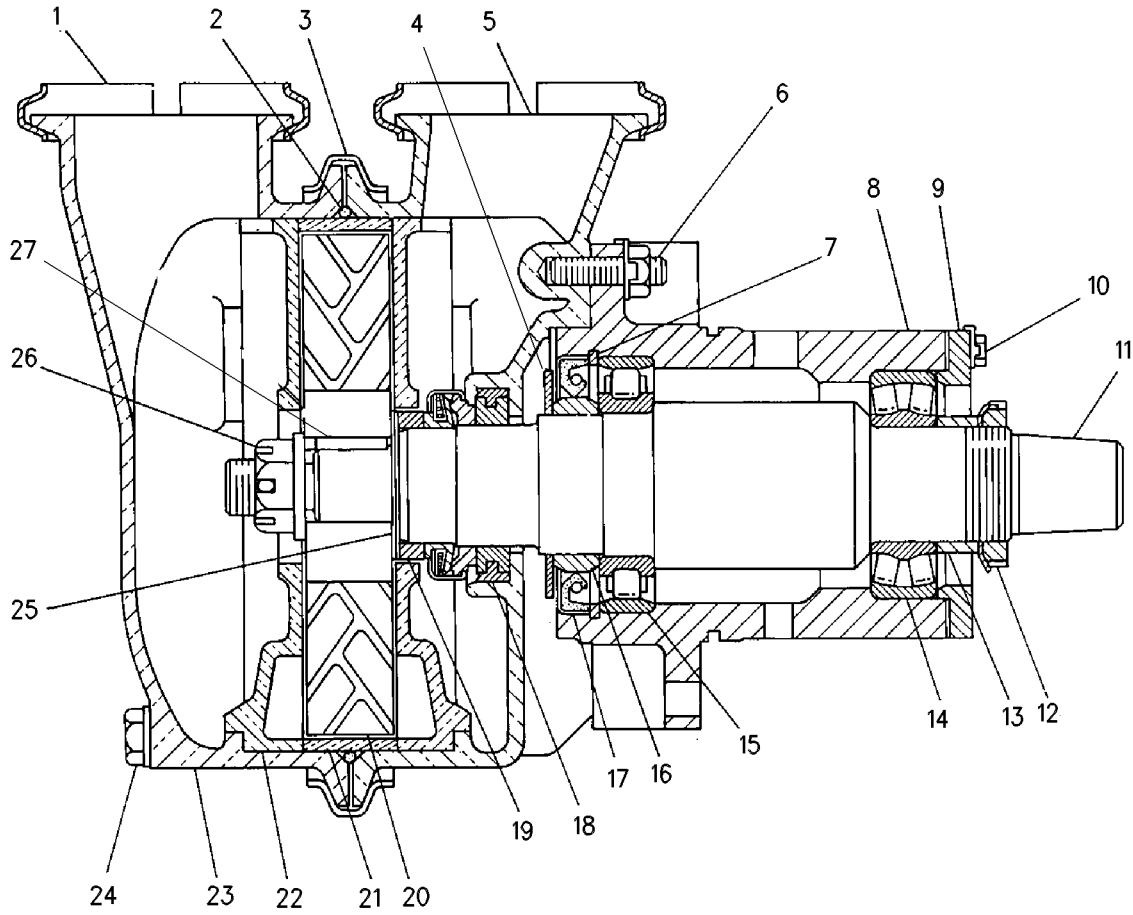
i01337879

NOTE	REF NO	GRAPHIC REF	PART NUMBER	QTY	PART NAME						SEE PAGE
					1	2	3	4	5	6 (PRODUCT LEVEL)	
	1	1	5N-9018	2	CLAMP AS						
	2	1	5N-9013	1	SEAL-O-RING						
	3	1	5N-9019	1	CLAMP AS						
	4	1	3N-8444	1	THROWER-WATER						
	5	1	5N-9023	1	BODY-DRIVE END						
	6	1	9M-5082	4	STUD-TAPERLOCK						
		1	1D-4718	4	NUT-FULL (7/16-14-THD)						
		1	3H-8027	4	LOCK						
	7	1	3N-8466	1	RING-RETAINING						
	8	1	3N-8456	1	HOUSING-BEARING						
	9	1	3N-8453	1	HOUSING-SEAL						
	10	1	0S-1615	3	BOLT (1/4-20X0.75-IN)						
		1	7F-2836	3	LOCK						
	11	1	5N-9020	1	SHAFT						
	12	1	8B-7614	1	NUT-BEARING						
		1	8B-7613	1	LOCKNUT						
	13	1	3N-8445	1	SPACER (40.041X47X12-MM THK)						
	14	1	3N-8463	1	BEARING-ROLLER						
	15	1	3N-8464	1	BEARING-ROLLER						
	16	1	5N-2904	1	COLLAR-SEAL						
	17	1	5N-2902	1	SEAL-OIL						
	18	1	5N-9006	1	SEAL GP						
	19	1	5N-9010	1	WASHER						
	20	1	5N-9021	1	IMPELLER						
	21	1	5N-9017	1	RING						
	22	1	5N-9022	2	PLATE-PORT						
	23	1	5N-9024	1	HOUSING (NON-DRIVE END)						
	24	1	3N-8216	1	PLUG						
		1	3N-8215	1	WASHER						
	25	1	5N-9015	2	SHIM (0.38-MM THK)						
		1	5N-9016	1	SHIM (0.25-MM THK)						
	26	1	5N-9011	1	NUT-SLOTTED FULL						
		1	5N-9014	1	WASHER (25.5X44X4.3-MM THK)						
		1	5N-9012	1	PIN-COTTER						
	27	1	5N-9009	1	KEY						

# COOLING SYSTEM

5N-5757 PUMP GP-AUXILIARY SEA WATER (contd.)

101337879



GRAPHIC #1

<END>

g00304770

# COOLING SYSTEM

## 5N-5757 PUMP GP-AUXILIARY SEA WATER\*R

PART OF 4W-6674 PUMP GP-AUXILIARY SEA WATER

AN ATTACHMENT

TYPE 2

SMCS-1371

i01319017

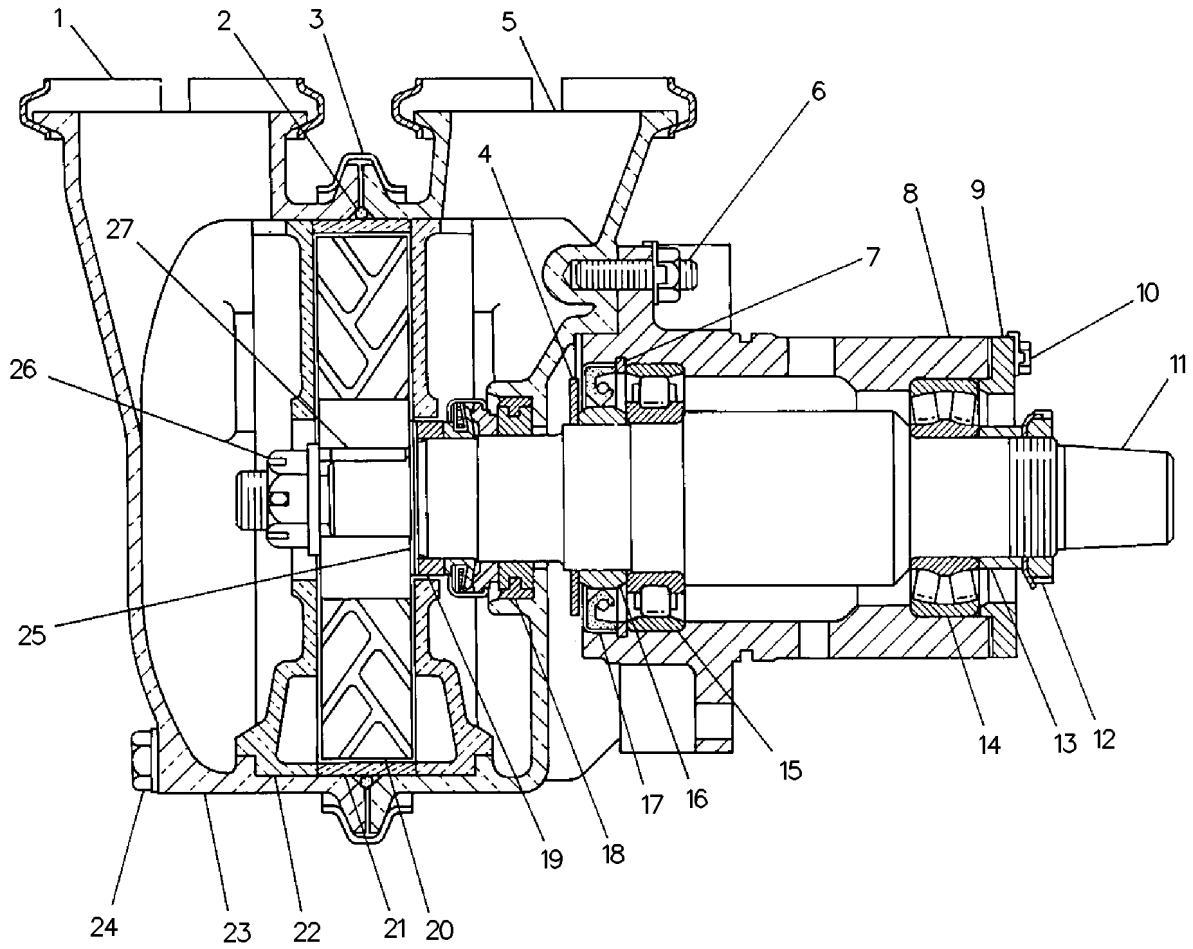
NOTE	REF NO	GRAPHIC REF	PART NUMBER	QTY	PART NAME						SEE PAGE
					1	2	3	4	5	6 (PRODUCT LEVEL)	
	1	1	5N-9018	2	CLAMP AS						
	2	1	5N-9013	1	SEAL-O-RING						
	3	1	5N-9019	1	CLAMP AS						
	4	1	3N-8444	1	THROWER-WATER						
	5	1	5N-9023	1	BODY-DRIVE END						
	6	1	9M-5082	4	STUD-TAPERLOCK						
		1	1D-4718	4	NUT-FULL (7/16-14-THD)						
		1	3H-8027	4	LOCK						
	7	1	3N-8466	1	RING-RETAINING						
	8	1	3N-8456	1	HOUSING-BEARING						
	9	1	3N-8453	1	HOUSING-SEAL						
	10	1	0S-1615	3	BOLT (1/4-20X0.75-IN)						
		1	7F-2836	3	LOCK						
	11	1	5N-9020	1	SHAFT						
	12	1	8B-7614	1	NUT-BEARING						
		1	8B-7613	1	LOCKNUT						
	13	1	3N-8445	1	SPACER (40.041X47X12-MM THK)						
	14	1	3N-8463	1	BEARING-ROLLER						
C	15	1	4M-6107	1	BEARING-INNER						
C		1	8T-0209	1	RACE-ROLLER BEARING						
	16	1	5N-2904	1	COLLAR-SEAL						
	17	1	5N-2902	1	SEAL-OIL						
	18	1	5N-9006	1	SEAL GP						
	19	1	5N-9010	1	WASHER						
	20	1	5N-9021	1	IMPELLER						
	21	1	5N-9017	1	RING						
	22	1	5N-9022	2	PLATE-PORT						
	23	1	5N-9024	1	HOUSING (NON-DRIVE END)						
	24	1	3N-8216	1	PLUG						
		1	3N-8215	1	WASHER						
B	25	1	5N-9015	2	SHIM (0.38-MM THK)						
B		1	5N-9016	2	SHIM (0.25-MM THK)						
C	26	1	7X-3148	1	NUT-FULL						
		1	5N-9014	1	WASHER (25.5X44X4.3-MM THK)						
		1	5N-9012	1	PIN-COTTER						
	27	1	5N-9009	1	KEY						

B - USE AS REQUIRED  
C - CHANGE FROM PREVIOUS TYPE

# COOLING SYSTEM

5N-5757 PUMP GP-AUXILIARY SEA WATER (contd.)

i01319017



GRAPHIC #1

<END>

g00218689

# COOLING SYSTEM

## 5N-5757 PUMP GP-AUXILIARY SEA WATER\*R

PART OF 4W-6674 PUMP GP-AUXILIARY SEA WATER

AN ATTACHMENT

TYPE 3

SMCS-1371

i01980226

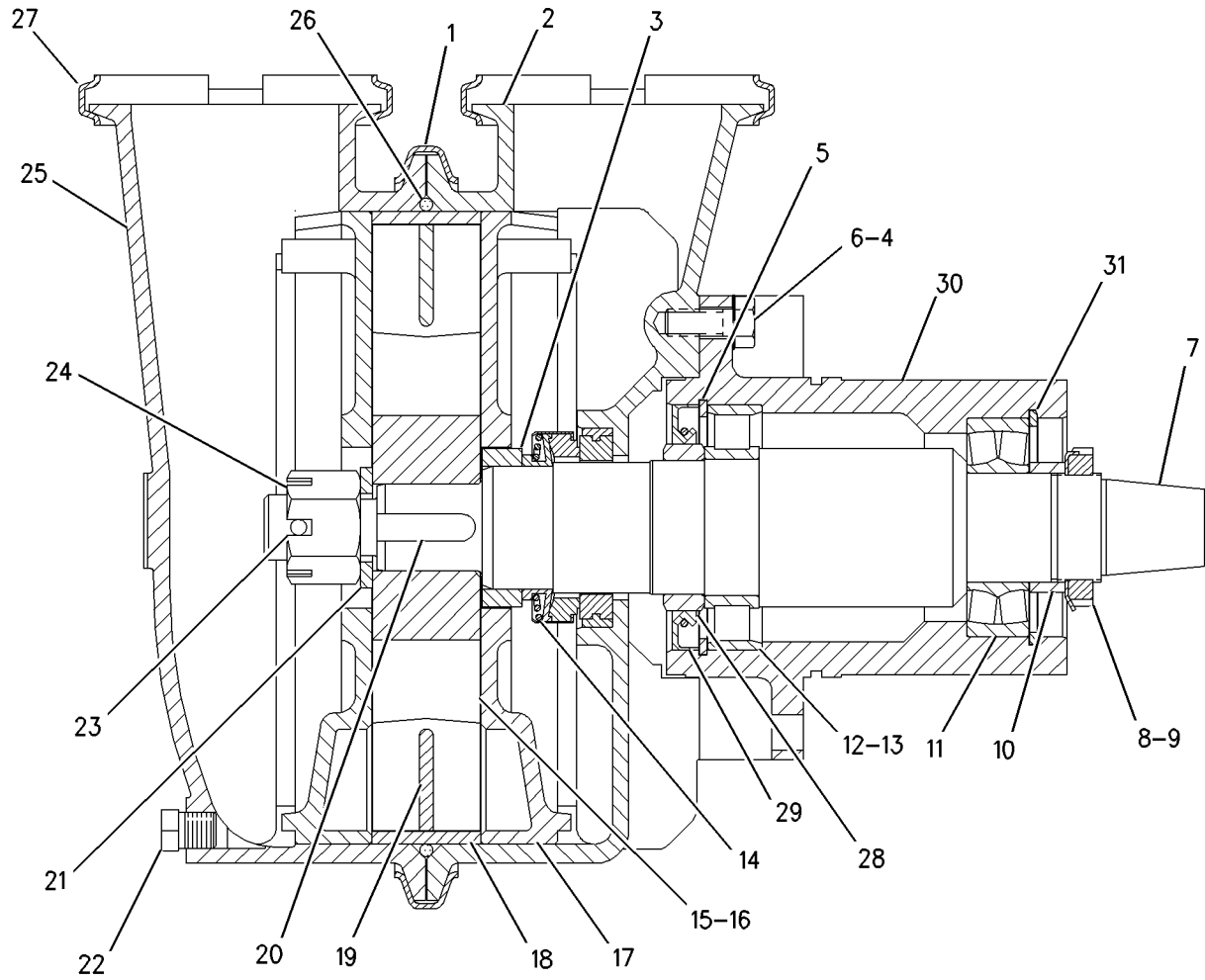
NOTE	REF NO	GRAPHIC REF	PART NUMBER	QTY	PART NAME						SEE PAGE
					1	2	3	4	5	6 (PRODUCT LEVEL)	
	1	1	<b>5N-9019</b>	1	CLAMP AS						
		1	<b>1D-4540</b>	2	BOLT (5/16-18X2.75-IN)						
		1	<b>1D-4716</b>	2	NUT-FULL (5/16-18-THD)						
	2	1	<b>5N-9023</b>	1	BODY-DRIVE END						
	3	1	<b>5N-9010</b>	1	WASHER						
	4	1	<b>3B-4507</b>	4	LOCKWASHER						
	5	1	<b>8T-0707</b>	1	RING-RETAINING (INTERNAL)						
C	6	1	<b>107-4910</b>	4	BOLT-HIGH TEMPERATURE (7/16-14X1-IN)						
	7	1	<b>5N-9020</b>	1	SHAFT						
	8	1	<b>8B-7614</b>	1	NUT-BEARING						
	9	1	<b>8B-7613</b>	1	LOCKNUT						
	10	1	<b>3N-8445</b>	1	SPACER (40.041X47X12-MM THK)						
	11	1	<b>3N-8463</b>	1	BEARING-ROLLER						
	12	1	<b>4M-6107</b>	1	BEARING-INNER						
	13	1	<b>8T-0209</b>	1	RACE-ROLLER BEARING						
	14	1	<b>5N-9006</b>	1	SEAL GP						
B	15	1	<b>5N-9015</b>	2	SHIM (0.38-MM THK)						
B	16	1	<b>5N-9016</b>	2	SHIM (0.25-MM THK)						
	17	1	<b>5N-9022</b>	2	PLATE-PORT						
	18	1	<b>5N-9017</b>	1	RING						
	19	1	<b>5N-9021</b>	1	IMPELLER						
	20	1	<b>5N-9009</b>	1	KEY						
	21	1	<b>5N-9014</b>	1	WASHER (25.5X44X4.3-MM THK)						
C	22	1	<b>104-1718</b>	1	PLUG						
	23	1	<b>5N-9012</b>	1	PIN-COTTER						
	24	1	<b>7X-3148</b>	1	NUT-FULL						
	25	1	<b>5N-9024</b>	1	HOUSING (NON-DRIVE END)						
	26	1	<b>5N-9013</b>	1	SEAL-O-RING						
	27	1	<b>5N-9018</b>	2	CLAMP AS						
					(EACH INCLUDES)						
		1	<b>1B-2713</b>	2	BOLT (1/4-20X1.75-IN)						
		1	<b>9S-8750</b>	2	NUT-FULL (1/4-20-THD)						
	28	1	<b>5N-2904</b>	1	COLLAR-SEAL						
	29	1	<b>5N-2902</b>	1	SEAL-OIL						
	30	1	<b>6I-2092</b>	1	HOUSING-BEARING						
C	31	1	<b>3E-4365</b>	1	RING-RETAINING						

B - USE AS REQUIRED  
C - CHANGE FROM PREVIOUS TYPE

# COOLING SYSTEM

5N-5757 PUMP GP-AUXILIARY SEA WATER (contd.)

i01980226



GRAPHIC #1

<END>

g00942533

# COOLING SYSTEM

## 7C-3614 PUMP GP-AUXILIARY SEA WATER\*R

PART OF 4W-6673 PUMP GP-AUXILIARY SEA WATER

AN ATTACHMENT

TYPE 1

SMCS-1371

i03537558

NOTE	REF NO	GRAPHIC REF	PART NUMBER	QTY	PART NAME						SEE PAGE
					1	2	3	4	5	6 (PRODUCT LEVEL)	
	1	1	<b>3N-8468</b>	2	CLAMP AS						
	2	1	<b>3N-8462</b>	1	SEAL-O-RING						
	3	1	<b>3N-8469</b>	1	CLAMP AS						
		1	<b>1D-4540</b>	2	BOLT (5/16-18X2.75-IN)						
		1	<b>1D-4716</b>	2	NUT-FULL (5/16-18-THD)						
	4	1	<b>3N-8444</b>	1	THROWER-WATER						
	5	1	<b>3N-8447</b>	1	BODY-DRIVE END						
	6	1	<b>9M-5082</b>	4	STUD-TAPERLOCK						
		1	<b>1D-4718</b>	4	NUT-FULL (7/16-14-THD)						
		1	<b>3H-8027</b>	4	LOCK						
	7	1	<b>3N-8466</b>	1	RING-RETAINING						
	8	1	<b>3N-8456</b>	1	HOUSING-BEARING						
	9	1	<b>3N-8453</b>	1	HOUSING-SEAL						
	10	1	<b>0S-1615</b>	3	BOLT (1/4-20X0.75-IN)						
		1	<b>7F-2836</b>	3	LOCK						
	11	1	<b>7C-3493</b>	1	SHAFT						
	12	1	<b>8B-7614</b>	1	NUT-BEARING						
		1	<b>8B-7613</b>	1	LOCKNUT						
	13	1	<b>3N-8445</b>	1	SPACER (40.041X47X12-MM THK)						
	14	1	<b>3N-8463</b>	1	BEARING-ROLLER						
	15	1	<b>3N-8464</b>	1	BEARING-ROLLER						
	16	1	<b>5N-2904</b>	1	COLLAR-SEAL						
	17	1	<b>5N-2902</b>	1	SEAL-OIL						
	18	1	<b>5N-6055</b>	1	SEAL GP						
	19	1	<b>3N-8442</b>	1	SPACER-SPECIAL						
	20	1	<b>5N-2618</b>	1	IMPELLER						
	21	1	<b>3N-8452</b>	1	RING						
	22	1	<b>5N-4504</b>	2	PLATE-PORT						
	23	1	<b>3N-8448</b>	1	BODY-DRIVE END						
	24	1	<b>3N-8216</b>	1	PLUG						
		1	<b>3N-8215</b>	1	WASHER (SEALING)						
B	25	1	<b>3N-8441</b>	2	SHIM (0.38-MM THK) (.38MM THK)						
B		1	<b>3N-8455</b>	2	SHIM (0.25-MM THK) (.25MM THK)						
	26	1	<b>8C-0503</b>	1	NUT-HEX SLOTTED						
		1	<b>3N-8446</b>	1	WASHER (21X37X3.3-MM THK)						
		1	<b>3B-4621</b>	1	PIN-COTTER						
	27	1	<b>5N-4501</b>	1	KEY						

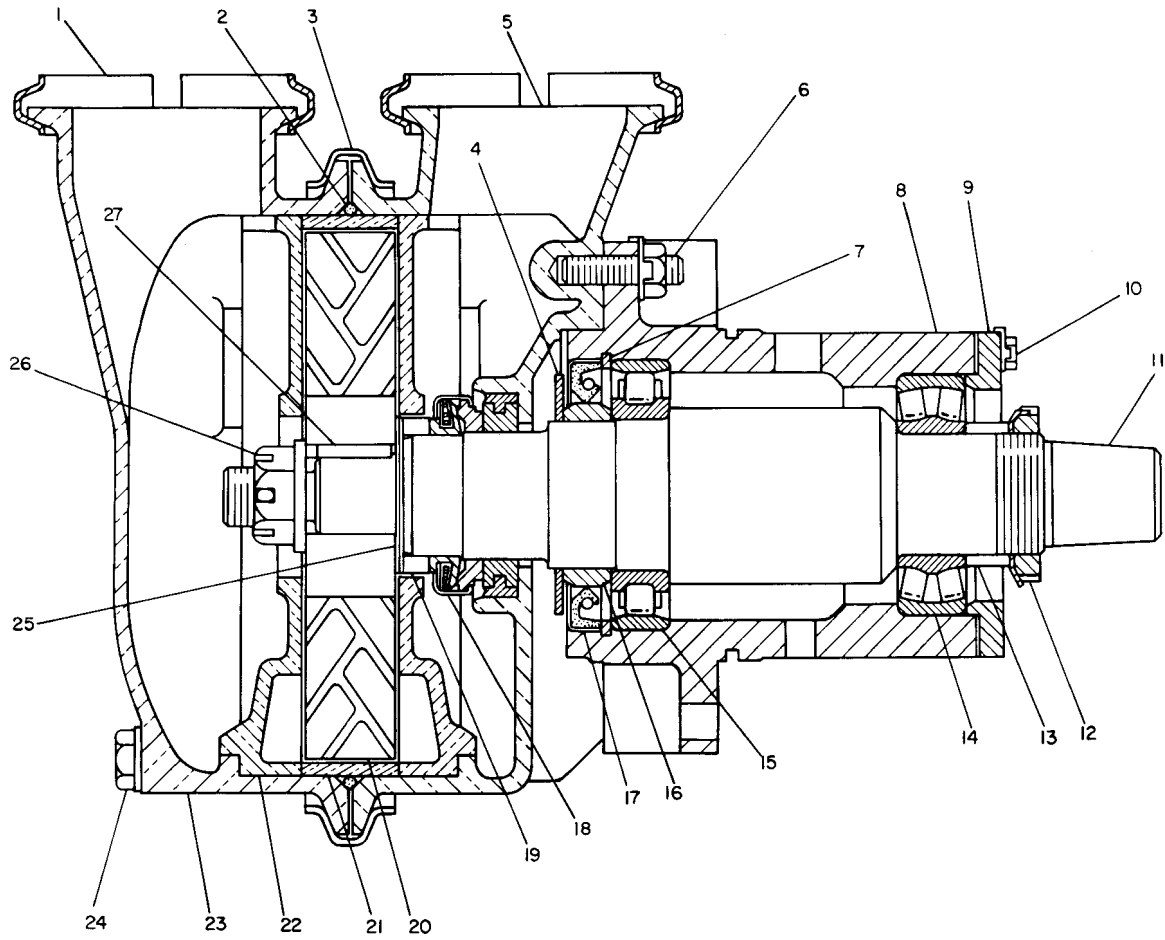
B - USE AS REQUIRED



# COOLING SYSTEM

7C-3614 PUMP GP-AUXILIARY SEA WATER (contd.)

103537558



GRAPHIC #1

<END>

g00188429

# COOLING SYSTEM

## 7C-3614 PUMP GP-AUXILIARY SEA WATER\*R

PART OF 4W-6673 PUMP GP-AUXILIARY SEA WATER

AN ATTACHMENT

TYPE 2

SMCS-1371

i03671354

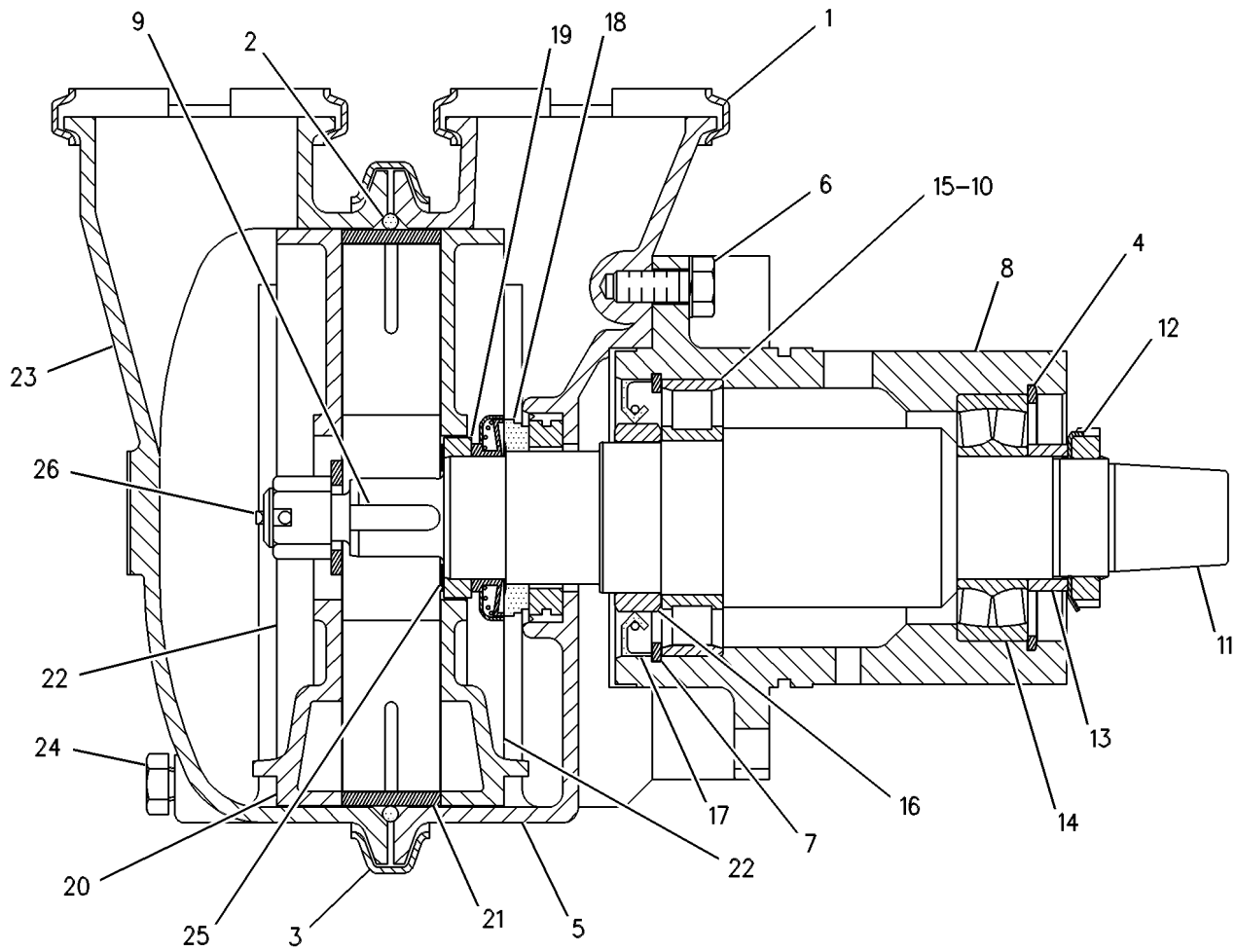
NOTE	REF NO	GRAPHIC REF	PART NUMBER	QTY	PART NAME						SEE PAGE
					1	2	3	4	5	6	
	1	1	<b>3N-8468</b>	2	CLAMP AS						
					(EACH INCLUDES)						
		1	<b>1B-9575</b>	2	BOLT (5/16-18X1.56-IN)						
		1	<b>5S-0003</b>	2	NUT (5/16-18-THD)						
	2	1	<b>3N-8462</b>	1	SEAL-O-RING						
	3	1	<b>3N-8469</b>	1	CLAMP AS						
		1	<b>1D-4540</b>	2	BOLT (5/16-18X2.75-IN)						
		1	<b>1D-4716</b>	2	NUT-FULL (5/16-18-THD)						
	4	1	<b>107-5565</b>	1	CLIP						
	5	1	<b>3N-8447</b>	1	BODY-DRIVE END						
	6	1	<b>107-4910</b>	4	BOLT-HIGH TEMPERATURE (7/16-14X1-IN)						
		1	<b>3B-4507</b>	4	LOCKWASHER						
	7	1	<b>1J-6472</b>	1	RING-RETAINING (INTERNAL)						
	8	1	<b>6I-2092</b>	1	HOUSING-BEARING						
	9	1	<b>175-6716</b>	1	KEY						
C	10	1	<b>8T-0209</b>	1	RACE-ROLLER BEARING						
	11	1	<b>7C-3493</b>	1	SHAFT						
	12	1	<b>8B-7614</b>	1	NUT-BEARING						
		1	<b>8B-7613</b>	1	LOCKNUT						
	13	1	<b>3N-8445</b>	1	SPACER (40.041X47X12-MM THK)						
	14	1	<b>3N-8463</b>	1	BEARING-ROLLER						
C	15	1	<b>4M-6107</b>	1	BEARING-INNER						
	16	1	<b>5N-2904</b>	1	COLLAR-SEAL						
	17	1	<b>5N-2902</b>	1	SEAL-OIL						
	18	1	<b>5N-6055</b>	1	SEAL GP						
	19	1	<b>3N-8442</b>	1	SPACER-SPECIAL						
	20	1	<b>5N-2618</b>	1	IMPELLER						
	21	1	<b>3N-8452</b>	1	RING						
	22	1	<b>5N-4504</b>	2	PLATE-PORT						
	23	1	<b>3N-8448</b>	1	BODY-DRIVE END						
	24	1	<b>104-1718</b>	1	PLUG						
B	25	1	<b>3N-8441</b>	2	SHIM (0.38-MM THK)						
B		1	<b>3N-8455</b>	2	SHIM (0.25-MM THK)						
B		1	<b>130-2366</b>	1	SHIM (0.3-MM THK)						
	26	1	<b>8C-0503</b>	1	NUT-HEX SLOTTED						
F		1	<b>3N-8446</b>	1	WASHER (21X37X3.3-MM THK)						
F		1	<b>4P-9312</b>	1	PIN-COTTER						

B - USE AS REQUIRED  
 C - CHANGE FROM PREVIOUS TYPE  
 F - NOT SHOWN

# COOLING SYSTEM

7C-3614 PUMP GP-AUXILIARY SEA WATER (contd.)

103671354



GRAPHIC #1

<END>

g00260605

# COOLING SYSTEM

## 8N-8466 PUMP GP-AUXILIARY SEA WATER

FOR USAGE REFER TO CHART 8N-7500-PAGE: 2103

AN ATTACHMENT

SMCS-1371

i02945066

NOTE	REF NO	GRAPHIC REF	PART NUMBER	QTY	PART NAME						SEE PAGE
					1	2	3	4	5	6 (PRODUCT LEVEL)	
	1	1	<b>5M-2894</b>	14	WASHER-HARD (10.2X18.5X2.5-MM THK)						
	2	1	<b>8N-8462</b>	1	FLANGE						
	3	1	<b>4F-7387</b>	1	SEAL-O-RING						
	4	1	<b>4B-4043</b>	4	BOLT (5/8-11X1.375-IN)						
	5	1	<b>5P-8247</b>	4	WASHER-HARD (17X32X3.5-MM THK)						
YR	6	1	<b>315-5137</b>	1	PUMP GP-AUXILIARY SEA WATER						726
	7	1	<b>5F-3106</b>	1	SEAL-O-RING						
	8	1	<b>2M-4453</b>	1	SEAL-O-RING						
	9	1	<b>5N-0408</b>	1	PLATE-ORIFICE						
	10	1	<b>5N-1845</b>	1	FLANGE						
	11	1	<b>9S-8752</b>	4	NUT-FULL (3/8-16-THD)						
	12	1	<b>0S-1588</b>	4	BOLT (3/8-16X1.25-IN)						
	13	1	<b>5N-1941</b>	1	COVER						
	14	1	<b>5N-1940</b>	1	GASKET						
	15	1	<b>0S-1594</b>	2	BOLT (3/8-16X1-IN)						
	16	1	<b>0S-1571</b>	4	BOLT (3/8-16X1.75-IN)						
	17	1	<b>3P-6061</b>	2	GASKET						

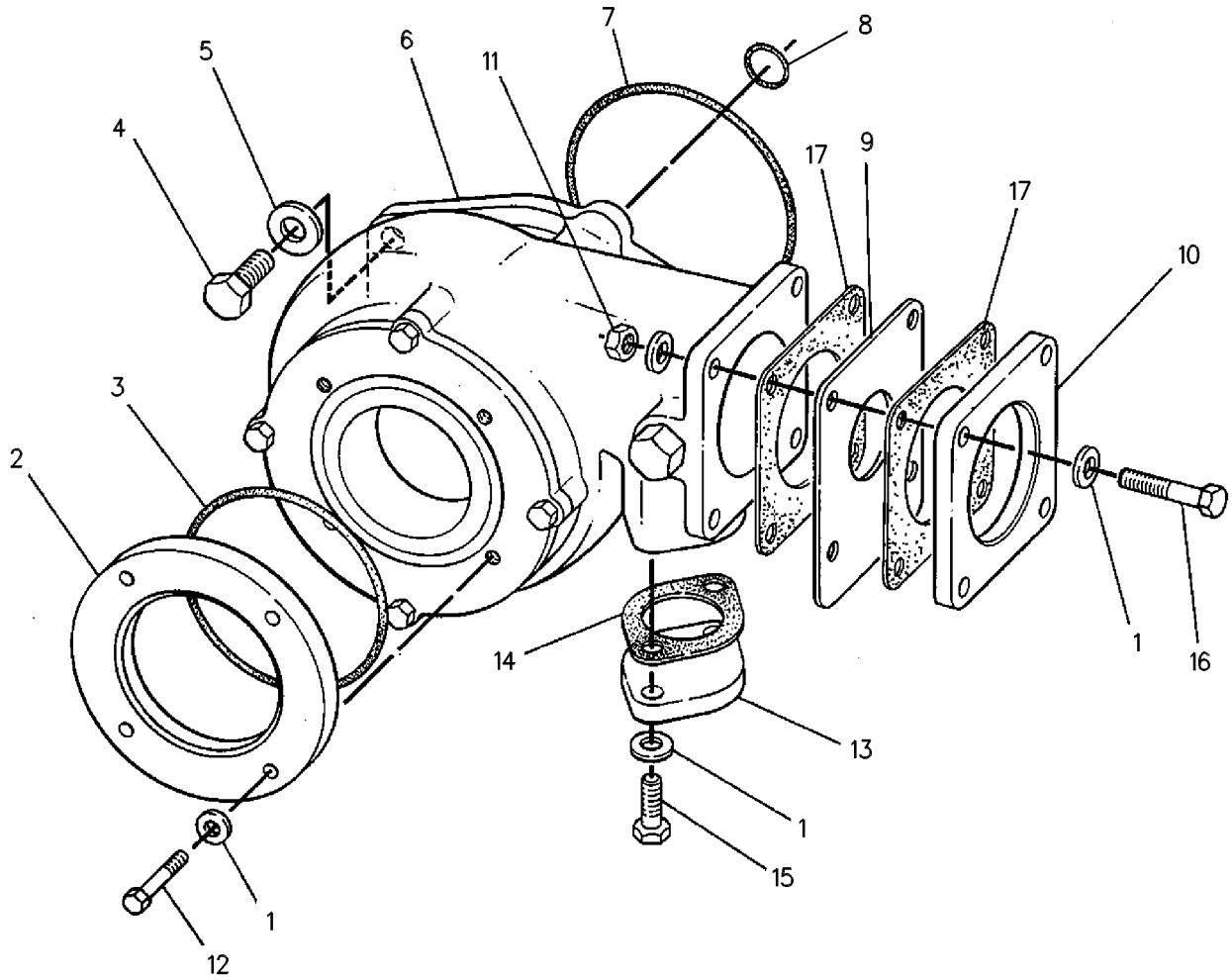
R - REMANUFACTURED PART MAY BE AVAILABLE

Y - SEPARATE ILLUSTRATION

# COOLING SYSTEM

8N-8466 PUMP GP-AUXILIARY SEA WATER (contd.)

102945066



GRAPHIC #1

<END>

g00237826

# COOLING SYSTEM

## 9Y-5710 PUMP GP-AUXILIARY SEA WATER

S/N: 50Y647-1304

FOR USE WITH LOWER LH ACCESSORY DRIVE  
AN ATTACHMENT

SMCS-1371

i06918048

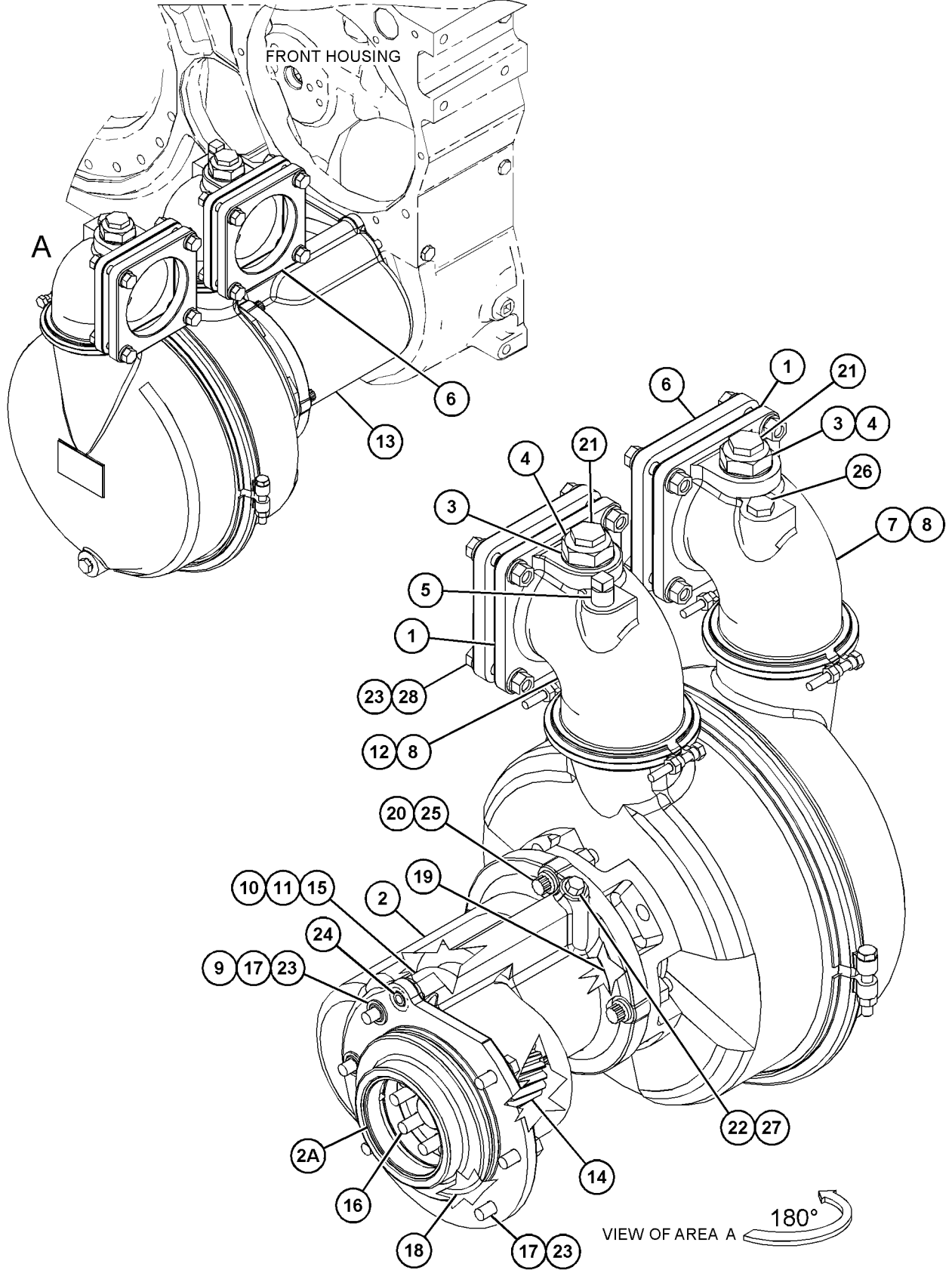
NOTE	REF NO	GRAPHIC REF	PART NUMBER	QTY	PART NAME						SEE PAGE
					1	2	3	4	5	6 (PRODUCT LEVEL)	
	1	1	<b>3P-6061</b>	4	GASKET						
	2	1	<b>4W-6677</b>	1	HOUSING AS						
	2A	1	<b>127-5400</b>	1	BUSHING						
	3	1	<b>5B-3265</b>	2	GASKET						
	4	1	<b>5L-5879</b>	2	ADAPTER AS						
					(EACH INCLUDES)						
		1	<b>3F-1357</b>	1	PLUG-DRAIN (AUXILIARY SEA WATER PUMP)						
	5	1	<b>5L-7685</b>	1	ROD AS-ZINC (AUXILIARY WATER PUMP)						
		1	<b>6L-2280</b>	1	ROD-ZINC (AUXILIARY SEA WATER PUMP)						
		1	<b>233-8525</b>	1	PLUG-PIPE						
	6	1	<b>5N-1845</b>	2	FLANGE						
	7	1	<b>5N-5886</b>	1	ELBOW-WATER PUMP						
	8	1	<b>5N-5977</b>	2	GASKET						
	9	1	<b>8J-6775</b>	3	SEAL-THREAD						
	10	1	<b>8N-5839</b>	1	GEAR-PUMP (31-TEETH)						
	11	1	<b>9L-8781</b>	1	WASHER (0.406X1.5X0.188-IN THK)						
	12	1	<b>9Y-7179</b>	1	ELBOW-WATER PUMP						
YR	13	1	<b>124-0111</b>	1	PUMP GP-AUXILIARY SEA WATER						714
	14	1	<b>239-5790</b>	1	GEAR-PUMP DRIVE (19-TEETH)						
	15	1	<b>165-3931</b>	9	BOLT (3/8-16X1.75-IN)						
	16	1	<b>0S-1588</b>	8	BOLT (3/8-16X1.25-IN)						
	17	1	<b>0S-1594</b>	6	BOLT (3/8-16X1-IN)						
	18	1	<b>259-4598</b>	1	SEAL-O-RING						
	19	1	<b>2H-3934</b>	1	SEAL-O-RING						
	20	1	<b>3S-1546</b>	4	NUT-FULL (7/16-14-THD)						
	21	1	<b>4J-4382</b>	2	PLUG-PIPE						
	22	1	<b>4J-7533</b>	1	SEAL-O-RING						
	23	1	<b>5M-2894</b>	22	WASHER-HARD (10.2X18.5X2.5-MM THK)						
	24	1	<b>5P-0840</b>	1	SEAL-O-RING						
	25	1	<b>5P-7972</b>	4	BOLT-12 POINT HEAD (7/16-14X1.75-IN)						
	26	1	<b>9B-0887</b>	1	PLUG-PIPE						
	27	1	<b>9S-4180</b>	1	PLUG						
	28	1	<b>9S-8752</b>	8	NUT-FULL (3/8-16-THD)						

R - REMANUFACTURED PART MAY BE AVAILABLE  
Y - SEPARATE ILLUSTRATION

# COOLING SYSTEM

9Y-5710 PUMP GP-AUXILIARY SEA WATER (contd.)

106918048



GRAPHIC #1

<END>

g06183362

# COOLING SYSTEM

## 212-8169 PUMP GP-AUXILIARY WATER-FRESH WATER\*R PART OF 5N-2605 PUMP GP-AUXILIARY WATER AN ATTACHMENT

SMCS-1371

i03613855

NOTE	REF NO	GRAPHIC REF	PART NUMBER	QTY	PART NAME						SEE PAGE
					1	2	3	4	5	6 (PRODUCT LEVEL)	
	1	1	<b>8T-6764</b>	1	PLUG-PIPE (1/8-27-THD)						
J	2	1	<b>9X-4594</b>	1	SEAL-LIP TYPE						
J	3	1	<b>262-4378</b>	1	SEAL AS-WATER PUMP						
	4	1	<b>9M-3786</b>	1	SEAL-O-RING						
	5	1	<b>0S-1594</b>	4	BOLT (3/8-16X1-IN)						
J	6	1	<b>212-8183</b>	1	IMPELLER						
	7	1	<b>5N-2611</b>	1	ADAPTER						
J	8	1	<b>5N-4383</b>	2	WASHER-THRUST						
J	9	1	<b>8H-3128</b>	4	BOLT-SOCKET HEAD (1/4-20X0.625-IN)						
J	10	1	<b>212-8179</b>	1	SHAFT						
J	11	1	<b>8M-2933</b>	4	SHIM-CARRIER (0.078-IN THK)						
	12	1	<b>7E-9780</b>	1	HOUSING AS						
J	12A	1	<b>127-5400</b>	1	BUSHING						
B	13	1	<b>3J-1907</b>	1	SEAL-O-RING						
B	14	1	<b>9S-4191</b>	1	PLUG (9/16-18-THD)						
B	15	1	<b>7W-6492</b>	1	PLUG-PIPE (1/2-14-THD)						

AVAILABLE REPAIR KIT(S):

J	<b>294-4935</b>	KIT-WATER PUMP (AUXILIARY WATER PUMP)
---	-----------------	---------------------------------------

B - USE AS REQUIRED

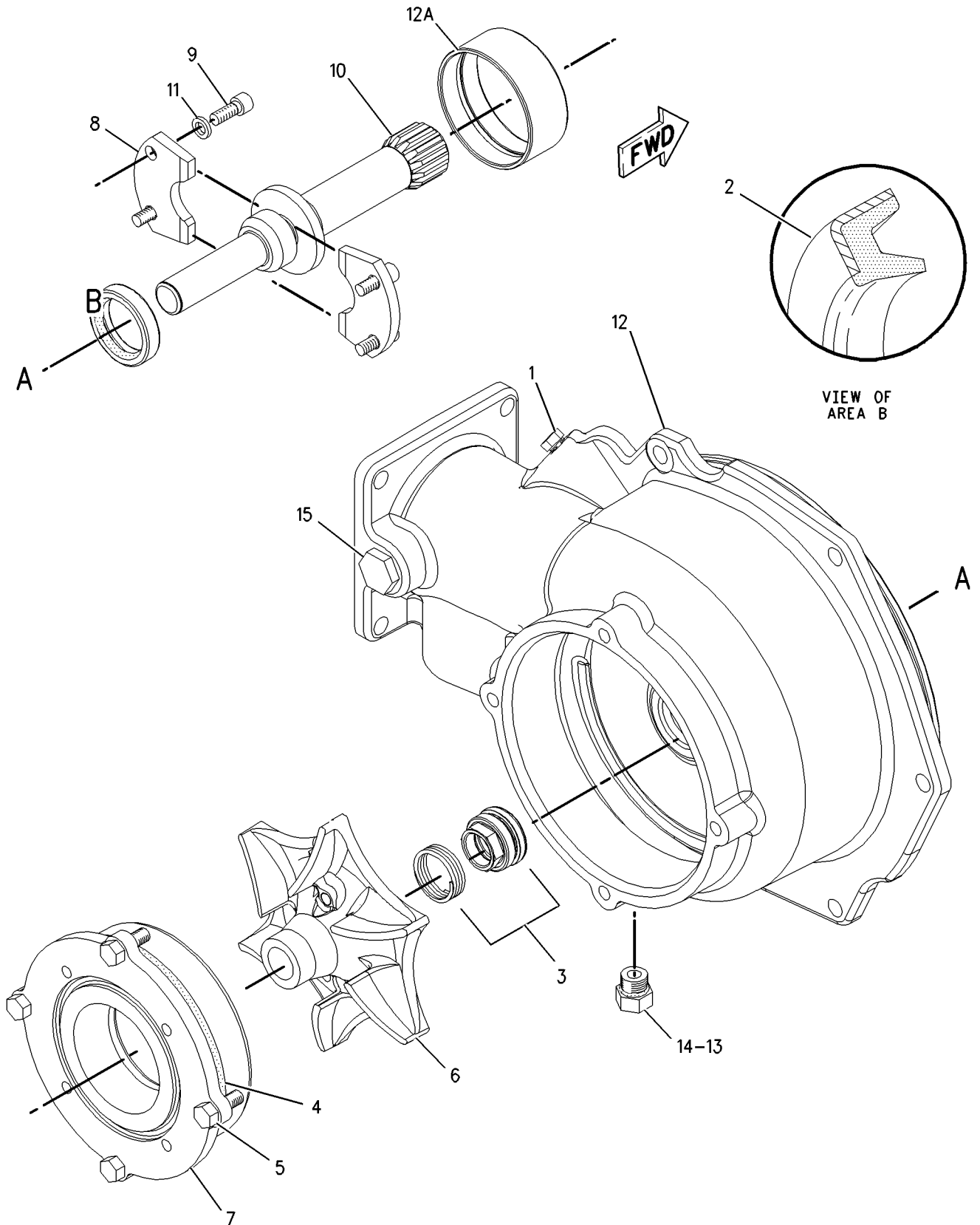
J - KIT MARKED J INCLUDES PART(S) MARKED J



# COOLING SYSTEM

212-8169 PUMP GP-AUXILIARY WATER (contd.)

103613855



GRAPHIC #1

<END>

g00931703

# COOLING SYSTEM

## 291-4311 PUMP GP-AUXILIARY WATER\*R

S/N: 50Y647-1304

PART OF 9Y-8175 PUMP GP-AUXILIARY WATER

SMCS-1371

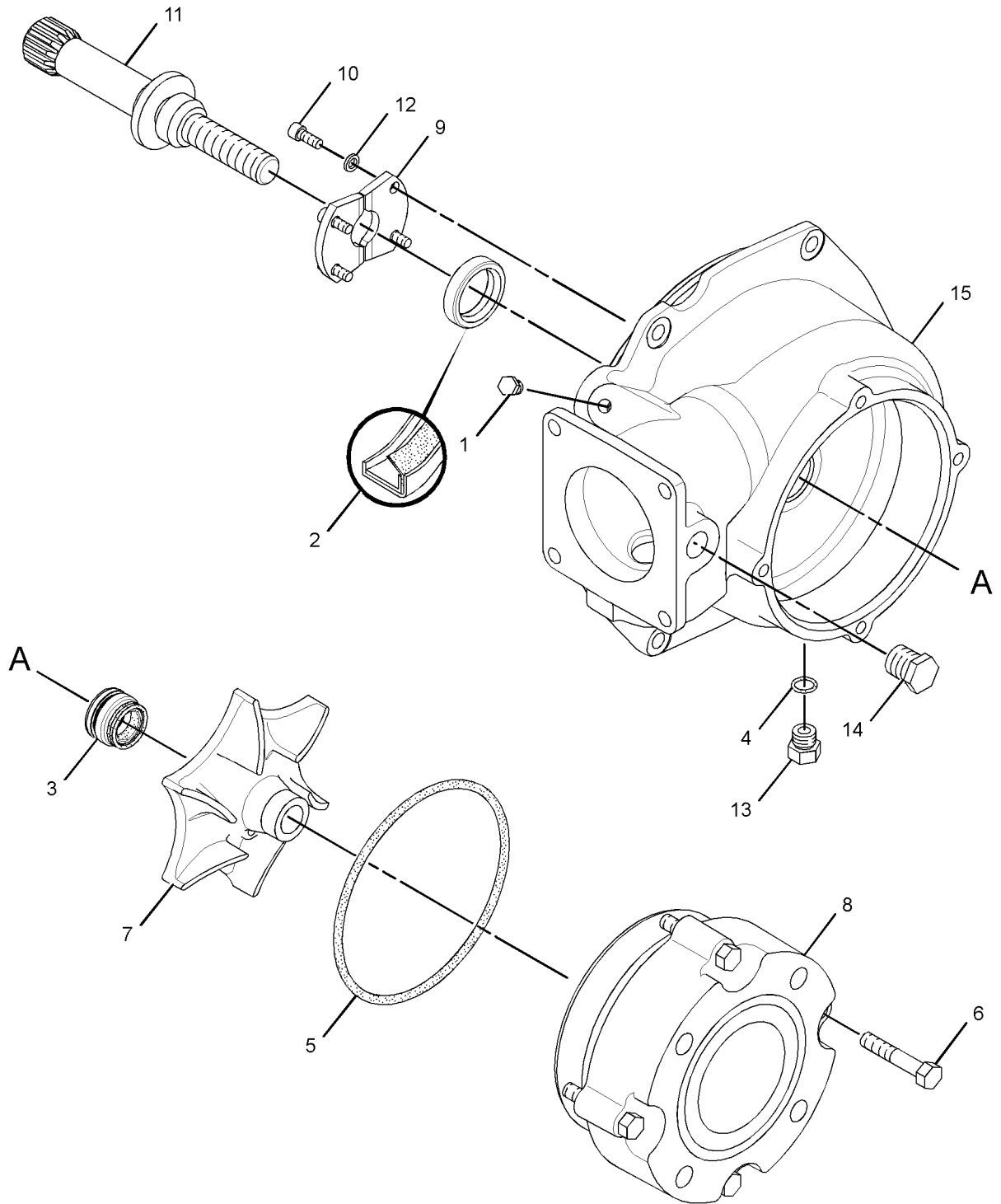
i03615189

NOTE	REF NO	GRAPHIC REF	PART NUMBER	QTY	PART NAME						SEE PAGE
					1	2	3	4	5	6 (PRODUCT LEVEL)	
	1	1	<b>8T-6764</b>	1	PLUG-PIPE (1/8-27-THD)						
J	2	1	<b>9X-4594</b>	1	SEAL-LIP TYPE						
J	3	1	<b>262-4378</b>	1	SEAL AS-WATER PUMP						
	4	1	<b>3J-1907</b>	1	SEAL-O-RING						
	5	1	<b>9M-3786</b>	1	SEAL-O-RING						
	6	1	<b>0S-1590</b>	4	BOLT (3/8-16X2-IN)						
J	7	1	<b>212-8183</b>	1	IMPELLER						
	8	1	<b>9Y-8067</b>	1	ADAPTER						
J	9	1	<b>5N-4383</b>	2	WASHER-THRUST						
J	10	1	<b>8H-3128</b>	4	BOLT-SOCKET HEAD (1/4-20X0.625-IN)						
J	11	1	<b>212-8179</b>	1	SHAFT (14-TEETH)						
J	12	1	<b>8M-2933</b>	4	SHIM-CARRIER (0.078-IN THK)						
	13	1	<b>9S-4191</b>	1	PLUG (9/16-18-THD)						
	14	1	<b>7W-6492</b>	1	PLUG-PIPE (1/2-14-THD)						
	15	1	<b>291-4309</b>	1	HOUSING AS						
		1	<b>8T-6759</b>	1	PLUG-PIPE						
J		1	<b>127-5400</b>	1	BUSHING						
					AVAILABLE REPAIR KIT(S):						
J			<b>294-4935</b>		KIT-WATER PUMP (AUXILIARY WATER PUMP)						
J - KIT MARKED J INCLUDES PART(S) MARKED J											

# COOLING SYSTEM

291-4311 PUMP GP-AUXILIARY WATER (contd.)

103615189



GRAPHIC #1

<END>

g01286255

# COOLING SYSTEM

## 424-3625 PUMP GP-AUXILIARY WATER\*R

S/N: 50Y647-1304

PART OF 350-2143 KIT-ENGINE CONVERSION

SMCS-1371

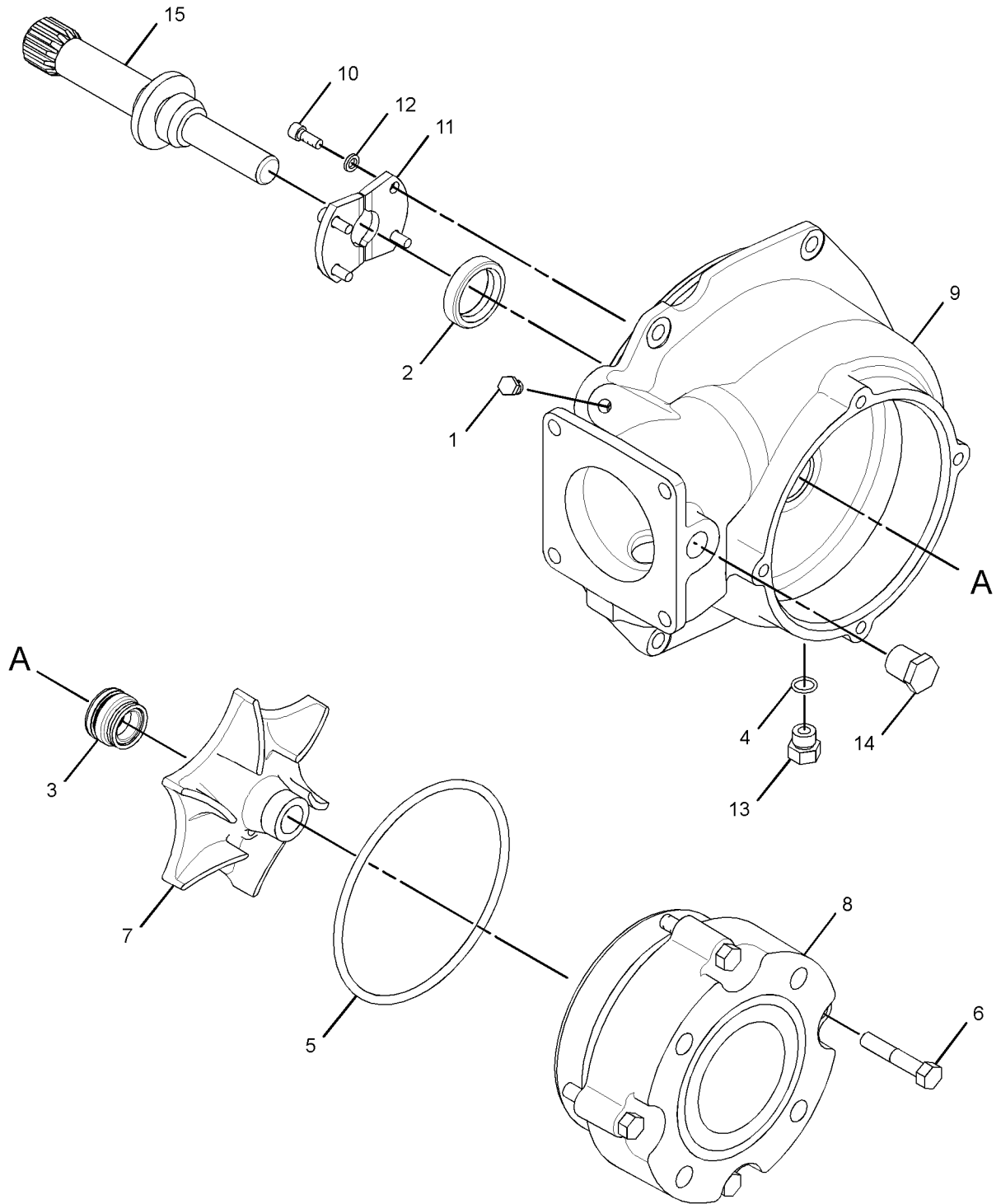
i06206195

NOTE	REF NO	GRAPHIC REF	PART NUMBER	QTY	PART NAME						SEE PAGE
					1	2	3	4	5	6 (PRODUCT LEVEL)	
	1	1	<b>8T-6764</b>	1	PLUG-PIPE (1/8-27-THD)						
	2	1	<b>9X-4594</b>	1	SEAL-LIP TYPE						
	3	1	<b>262-4378</b>	1	SEAL AS-WATER PUMP						
	4	1	<b>3J-1907</b>	1	SEAL-O-RING						
	5	1	<b>9M-3786</b>	1	SEAL-O-RING						
	6	1	<b>0S-1590</b>	4	BOLT (3/8-16X2-IN)						
	7	1	<b>212-8183</b>	1	IMPELLER (WATER PUMP)						
	8	1	<b>9Y-8067</b>	1	ADAPTER						
	9	1	<b>291-4309</b>	1	HOUSING AS						
		1	<b>8T-6759</b>	1	PLUG-PIPE						
		1	<b>127-5400</b>	1	BUSHING						
	10	1	<b>8H-3128</b>	4	BOLT-SOCKET HEAD (1/4-20X0.625-IN)						
	11	1	<b>423-0938</b>	2	WASHER-THRUST						
	12	1	<b>9X-8256</b>	4	WASHER (6.6X12X2-MM THK)						
	13	1	<b>9S-4191</b>	1	PLUG (9/16-18-THD)						
	14	1	<b>7W-6492</b>	1	PLUG-PIPE (1/2-14-THD)						
	15	1	<b>430-9695</b>	1	SHAFT						

# COOLING SYSTEM

424-3625 PUMP GP-AUXILIARY WATER (contd.)

106206195



GRAPHIC #1

<END>

g03399494

# COOLING SYSTEM

## 5N-2605 PUMP GP-AUXILIARY WATER

FOR USAGE REFER TO CHART 8N-7500-PAGE: 2103

AN ATTACHMENT

TYPE 1

**SMCS-1371**

**i00934075**

NOTE	REF NO	GRAPHIC REF	PART NUMBER	QTY	PART NAME						SEE PAGE
					1	2	3	4	5	6 (PRODUCT LEVEL)	
	1	1	<b>0S-1571</b>	4	BOLT (3/8-16X1.75-IN)						
	2	1	<b>5M-2894</b>	20	WASHER-HARD (10.2X18.5X2.5-MM THK)						
	3	1	<b>5N-2613</b>	1	FLANGE						
	4	1	<b>3P-6061</b>	2	GASKET						
C	5	1	<b>3B-8453</b>	1	SEAL-O-RING						
	6	1	<b>1T-0132</b>	1	SEAL-O-RING						
Y	7	1	<i>5N-5978</i>	1	PUMP GP-AUXILIARY WATER						762
	8	1	<b>1D-4717</b>	4	NUT (3/8-16-THD)						
	9	1	<b>1A-2029</b>	4	BOLT (3/8-16X1.125-IN)						
	10	1	<b>5N-2612</b>	1	FLANGE						
	11	1	<b>4F-7387</b>	1	SEAL-O-RING						
C	12	1	<b>0S-1594</b>	7	BOLT (3/8-16X1-IN)						
	13	1	<b>5N-1939</b>	1	COVER						
	14	1	<b>5N-1940</b>	1	GASKET						
C	15	1	<b>5N-2205</b>	1	PLATE-ORIFICE						
C	16	1	<b>1T-0765</b>	1	BOLT (3/8-16X1-IN)						

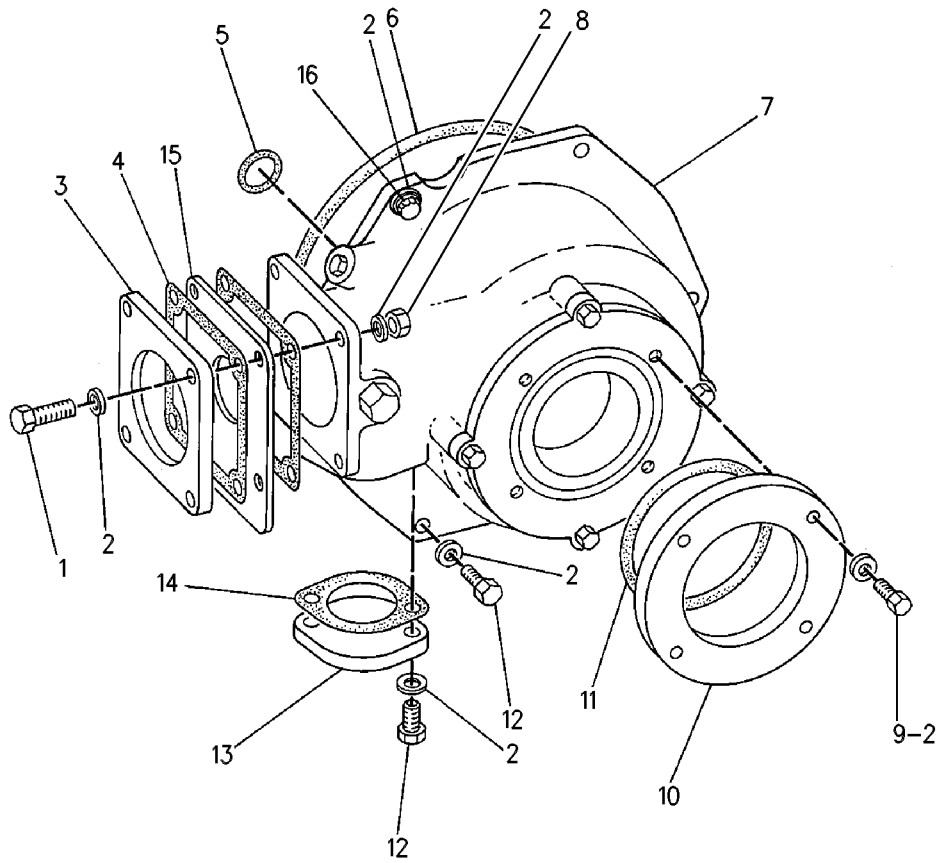
C - CHANGE FROM PREVIOUS TYPE

Y - SEPARATE ILLUSTRATION

# COOLING SYSTEM

5N-2605 PUMP GP-AUXILIARY WATER (contd.)

i00934075



GRAPHIC #1

<END>

g00480348

# COOLING SYSTEM

## 5N-2605 PUMP GP-AUXILIARY WATER

FOR USAGE REFER TO CHART 8N-7500-PAGE: 2103

AN ATTACHMENT

TYPE 2

**SMCS-1371**

**i02179381**

NOTE	REF NO	GRAPHIC REF	PART NUMBER	QTY	PART NAME						SEE PAGE
					1	2	3	4	5	6 (PRODUCT LEVEL)	
	1	1	<b>0S-1571</b>	4	BOLT (3/8-16X1.75-IN)						
	2	1	<b>5M-2894</b>	20	WASHER-HARD (10.2X18.5X2.5-MM THK)						
	3	1	<b>5N-2613</b>	1	FLANGE						
	4	1	<b>3P-6061</b>	2	GASKET						
C	5	1	<b>3B-8453</b>	1	SEAL-O-RING						
	6	1	<b>1T-0132</b>	1	SEAL-O-RING						
YR	7	1	<b>7E-9781</b>	1	PUMP GP-AUXILIARY WATER						766
	8	1	<b>9S-8752</b>	4	NUT-FULL (3/8-16-THD)						
	9	1	<b>0S-1588</b>	4	BOLT (3/8-16X1.25-IN)						
	10	1	<b>5N-2612</b>	1	FLANGE						
	11	1	<b>4F-7387</b>	1	SEAL-O-RING						
C	12	1	<b>0S-1594</b>	7	BOLT (3/8-16X1-IN)						
	13	1	<b>5N-1939</b>	1	COVER						
	14	1	<b>5N-1940</b>	1	GASKET						
C	15	1	<b>5N-0408</b>	1	PLATE-ORIFICE						
C	16	1	<b>1T-0765</b>	1	BOLT (3/8-16X1-IN)						

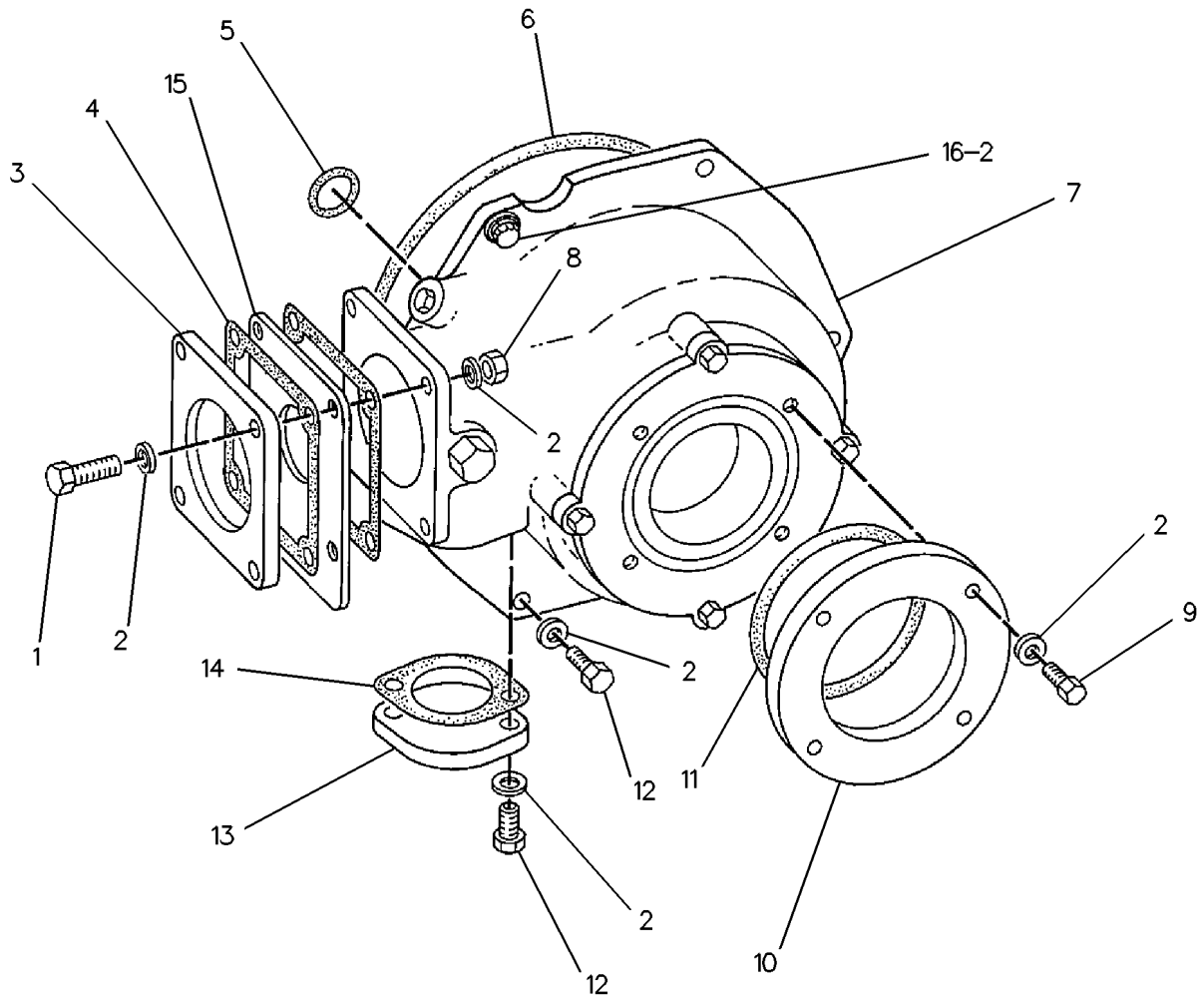
C - CHANGE FROM PREVIOUS TYPE  
R - REMANUFACTURED PART MAY BE AVAILABLE  
Y - SEPARATE ILLUSTRATION



# COOLING SYSTEM

5N-2605 PUMP GP-AUXILIARY WATER (contd.)

102179381



GRAPHIC #1

<END>

g00214311

# COOLING SYSTEM

## 5N-2605 PUMP GP-AUXILIARY WATER

FOR USAGE REFER TO CHART 8N-7500-PAGE: 2103

AN ATTACHMENT

TYPE 3

**SMCS-1371**

**i02593741**

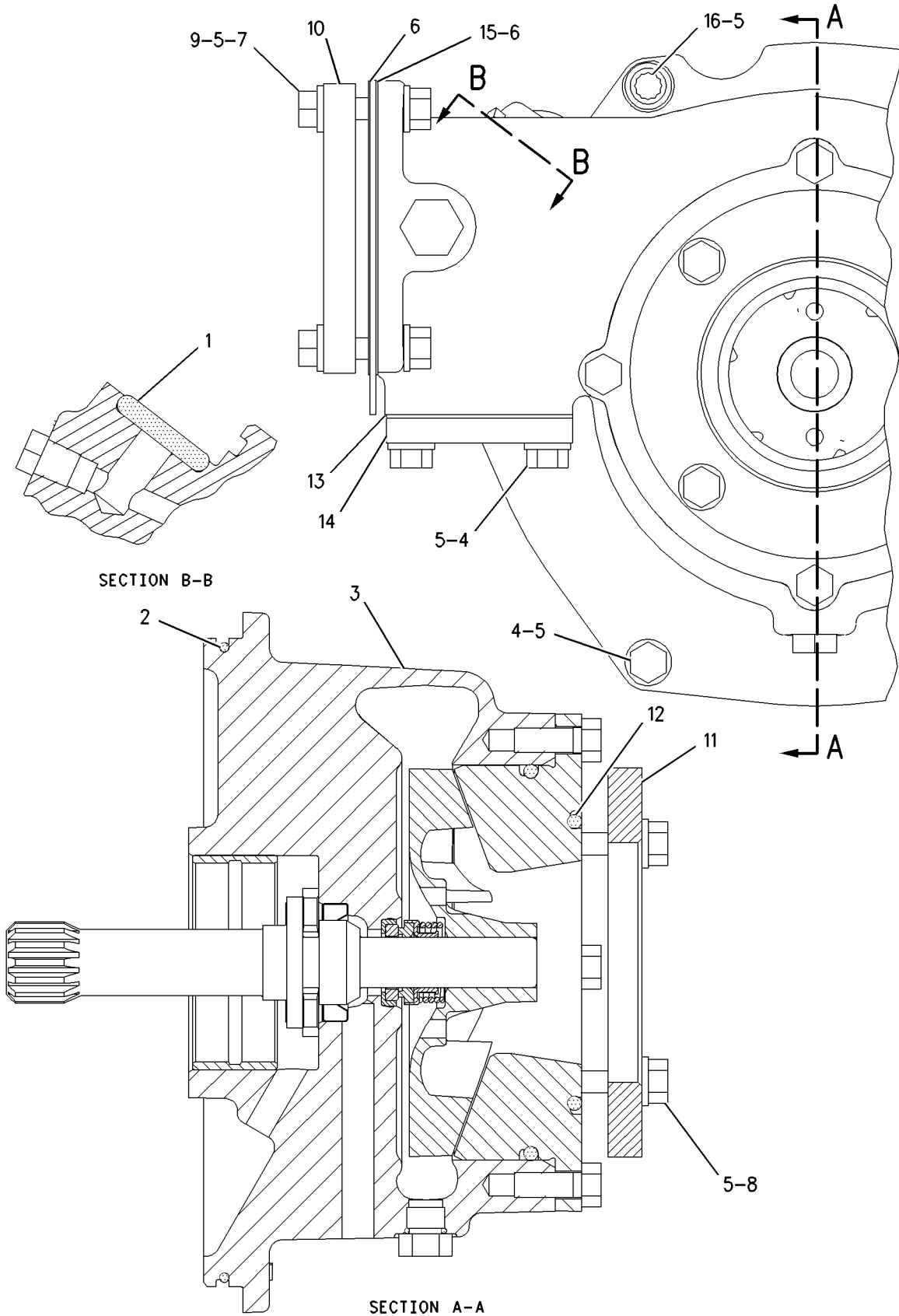
NOTE	REF NO	GRAPHIC REF	PART NUMBER	QTY	PART NAME						SEE PAGE
					1	2	3	4	5	6 (PRODUCT LEVEL)	
	1	1	<b>3B-8453</b>	1	SEAL-O-RING						
	2	1	<b>235-3546</b>	1	SEAL-O-RING						
CYR	3	1	<b>212-8169</b>	1	PUMP GP-AUXILIARY WATER						750
	4	1	<b>0S-1594</b>	7	BOLT (3/8-16X1-IN)						
	5	1	<b>5M-2894</b>	20	WASHER-HARD (10.2X18.5X2.5-MM THK)						
	6	1	<b>3P-6061</b>	2	GASKET						
	7	1	<b>0S-1571</b>	4	BOLT (3/8-16X1.75-IN)						
	8	1	<b>0S-1588</b>	4	BOLT (3/8-16X1.25-IN)						
	9	1	<b>9S-8752</b>	4	NUT-FULL (3/8-16-THD)						
	10	1	<b>5N-2613</b>	1	FLANGE						
	11	1	<b>5N-2612</b>	1	FLANGE						
	12	1	<b>4F-7387</b>	1	SEAL-O-RING						
	13	1	<b>5N-1940</b>	1	GASKET						
	14	1	<b>5N-1939</b>	1	COVER						
	15	1	<b>5N-0408</b>	1	PLATE-ORIFICE						
	16	1	<b>1T-0765</b>	1	BOLT (3/8-16X1-IN)						

C - CHANGE FROM PREVIOUS TYPE  
R - REMANUFACTURED PART MAY BE AVAILABLE  
Y - SEPARATE ILLUSTRATION

# COOLING SYSTEM

5N-2605 PUMP GP-AUXILIARY WATER (contd.)

102593741



GRAPHIC #1

<END>

g00931422

# COOLING SYSTEM

## 5N-5978 PUMP GP-AUXILIARY WATER-FRESH WATER PART OF 5N-2605 PUMP GP-AUXILIARY WATER AN ATTACHMENT TYPE 1

SMCS-1371

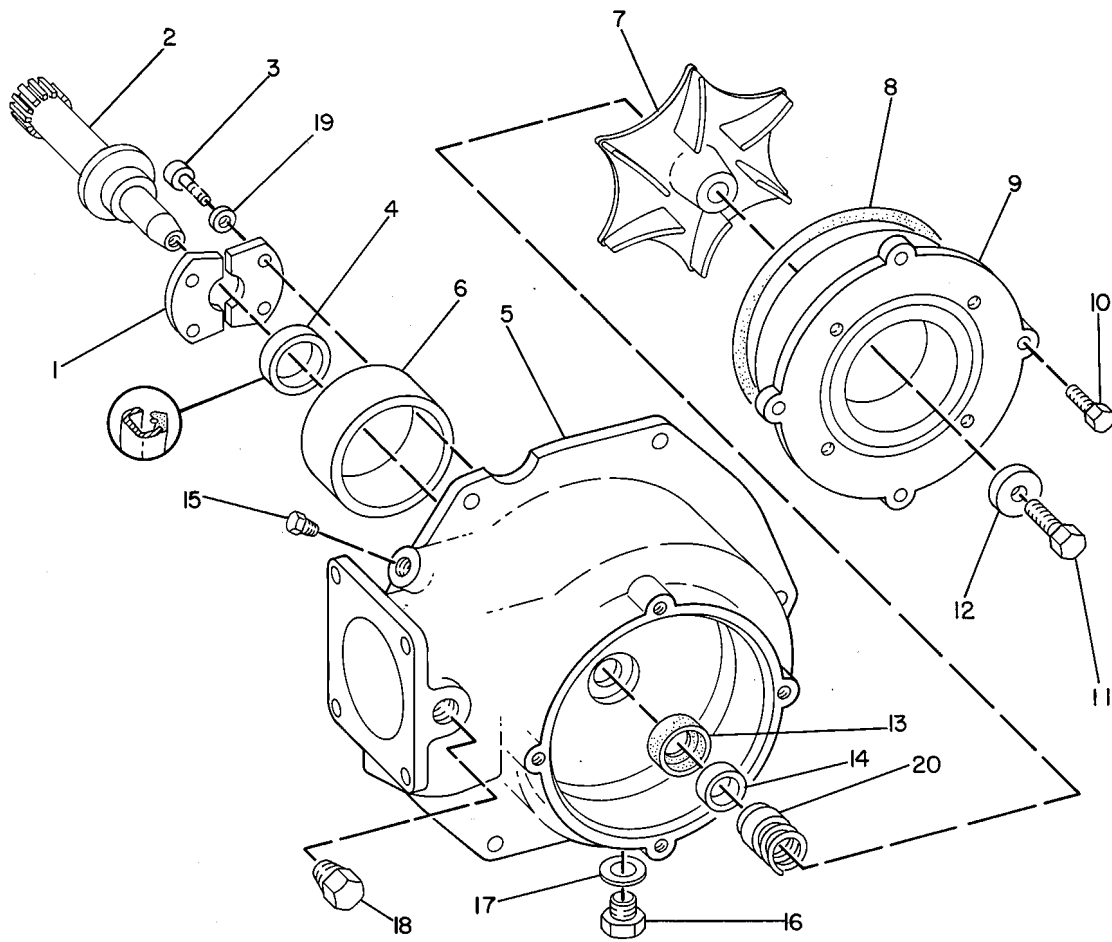
i02735999

NOTE	REF NO	GRAPHIC REF	PART NUMBER	QTY	PART NAME						SEE PAGE
					1	2	3	4	5	6 (PRODUCT LEVEL)	
	1	1	5N-4383	2	WASHER-THRUST						
	2	1	5N-4384	1	SHAFT AS						
	3	1	8H-3128	4	BOLT-SOCKET HEAD (1/4-20X0.625-IN)						
	4	1	9H-8839	1	SEAL-LIP TYPE						
	5	1	5N-2606	1	HOUSING AS						
	6	1	7N-5244	1	BUSHING						
	7	1	5N-5628	1	IMPELLER-PUMP						
	8	1	9M-3786	1	SEAL-O-RING						
	9	1	5N-2611	1	ADAPTER						
	10	1	0S-1594	6	BOLT (3/8-16X1-IN)						
	11	1	0S-1591	1	BOLT (3/8-16X1.5-IN)						
	12	1	8M-7145	1	WASHER (10.2X28.5X5-MM THK)						
	13	1	8S-8821	1	SEAL-IMPELLER						
	14	1	8S-7762	1	RING-SEAL						
	15	1	5M-6214	1	PLUG (1/8-27 PTF)						
	16	1	9M-4202	1	PLUG-DRAIN (WATER PUMP HOUSING)						
	17	1	4B-8407	1	GASKET-COPPER						
	18	1	3J-5389	1	PLUG (EXTERNAL)						
	19	1	8M-2933	4	SHIM-CARRIER (0.078-IN THK)						
	20	1	6N-9312	1	SEAL GP-PUMP						
		1	8S-7762	1	RING-SEAL						
		1	8S-8821	1	SEAL-IMPELLER						

# COOLING SYSTEM

5N-5978 PUMP GP-AUXILIARY WATER (contd.)

102735999



GRAPHIC #1

<END>

g00096654

# COOLING SYSTEM

## 5N-5978 PUMP GP-AUXILIARY WATER-FRESH WATER PART OF 5N-2605 PUMP GP-AUXILIARY WATER AN ATTACHMENT TYPE 2

SMCS-1371

i02735996

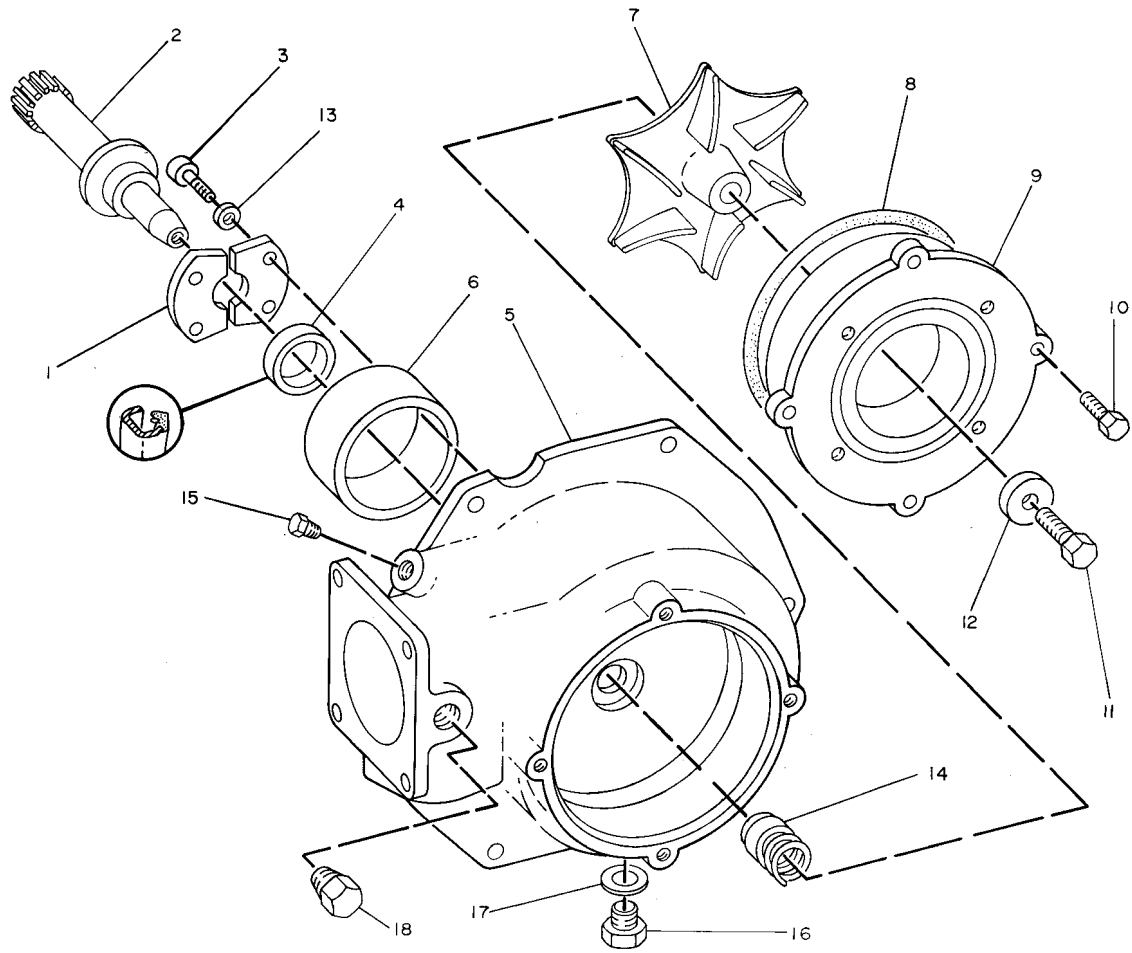
NOTE	REF NO	GRAPHIC REF	PART NUMBER	QTY	PART NAME						SEE PAGE
					1	2	3	4	5	6 (PRODUCT LEVEL)	
	1	1	<b>5N-4383</b>	2	WASHER-THRUST						
	2	1	<b>5N-4384</b>	1	SHAFT AS						
	3	1	<b>8H-3128</b>	4	BOLT-SOCKET HEAD (1/4-20X0.625-IN)						
	4	1	<b>9H-8839</b>	1	SEAL-LIP TYPE						
	5	1	<b>5N-2606</b>	1	HOUSING AS						
	6	1	<b>7N-5244</b>	1	BUSHING						
C	7	1	<b>7W-5769</b>	1	IMPELLER-PUMP						
	8	1	<b>9M-3786</b>	1	SEAL-O-RING						
	9	1	<b>5N-2611</b>	1	ADAPTER						
	10	1	<b>0S-1594</b>	6	BOLT (3/8-16X1-IN)						
	11	1	<b>0S-1591</b>	1	BOLT (3/8-16X1.5-IN)						
	12	1	<b>8M-7145</b>	1	WASHER (10.2X28.5X5-MM THK)						
	13	1	<b>8M-2933</b>	4	SHIM-CARRIER (0.078-IN THK)						
C	14	1	<b>4W-3864</b>	1	SEAL AS-WATER PUMP						
	15	1	<b>5M-6214</b>	1	PLUG (1/8-27 PTF)						
	16	1	<b>9M-4202</b>	1	PLUG-DRAIN (WATER PUMP HOUSING)						
	17	1	<b>4B-8407</b>	1	GASKET-COPPER						
	18	1	<b>3J-5389</b>	1	PLUG (EXTERNAL)						

C - CHANGE FROM PREVIOUS TYPE

# COOLING SYSTEM

5N-5978 PUMP GP-AUXILIARY WATER (contd.)

102735996



GRAPHIC #1

<END>

g00097700

# COOLING SYSTEM

## 7E-9781 PUMP GP-AUXILIARY WATER\*R PART OF 5N-2605 PUMP GP-AUXILIARY WATER AN ATTACHMENT

SMCS-1371

i02500722

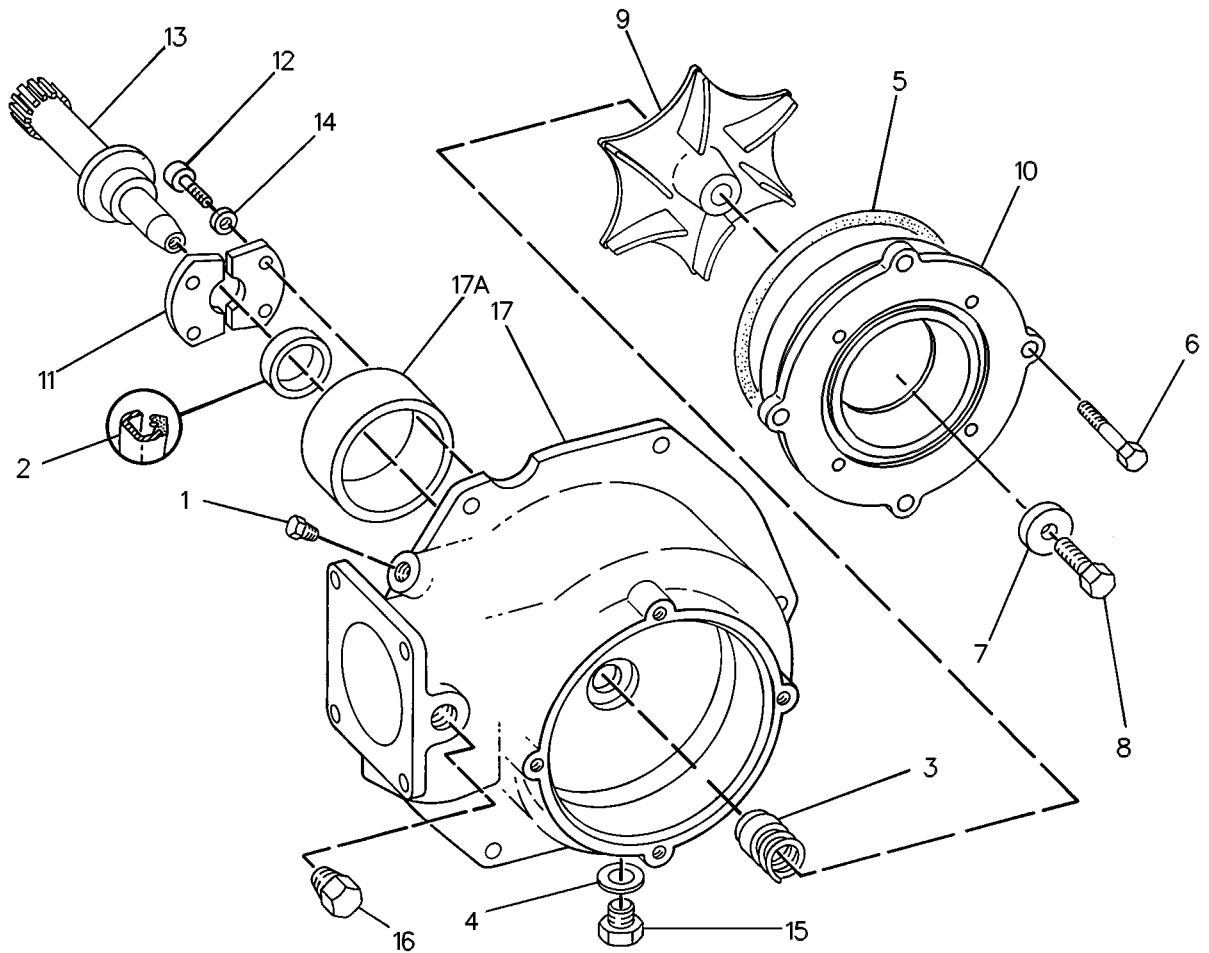
NOTE	REF NO	GRAPHIC REF	PART NUMBER	QTY	PART NAME						SEE PAGE
					1	2	3	4	5	6 (PRODUCT LEVEL)	
	1	1	<b>8T-6764</b>	1	PLUG-PIPE (1/8-27-THD)						
J	2	1	<b>9X-4594</b>	1	SEAL-LIP TYPE						
	3	1	<b>4W-3864</b>	1	SEAL AS-WATER PUMP						
B	4	1	<b>3J-1907</b>	1	SEAL-O-RING						
	5	1	<b>9M-3786</b>	1	SEAL-O-RING						
	6	1	<b>0S-1594</b>	4	BOLT (3/8-16X1-IN)						
J	7	1	<b>8M-7145</b>	1	WASHER (10.2X28.5X5-MM THK)						
	8	1	<b>0S-1591</b>	1	BOLT (3/8-16X1.5-IN)						
	9	1	<b>9Y-3778</b>	1	IMPELLER-PUMP						
	10	1	<b>5N-2611</b>	1	ADAPTER						
J	11	1	<b>5N-4383</b>	2	WASHER-THRUST						
	12	1	<b>8H-3128</b>	4	BOLT-SOCKET HEAD (1/4-20X0.625-IN)						
J	13	1	<b>5N-4384</b>	1	SHAFT AS						
BJ	14	1	<b>8M-2933</b>	4	SHIM-CARRIER (0.078-IN THK)						
B	15	1	<b>9S-4191</b>	1	PLUG (9/16-18-THD)						
B	16	1	<b>7W-6492</b>	1	PLUG-PIPE (1/2-14-THD)						
	17	1	<b>7E-9780</b>	1	HOUSING AS						
J	17A	1	<b>127-5400</b>	1	BUSHING						
					AVAILABLE REPAIR KIT(S):						
J			<b>190-8920</b>		KIT-PUMP REPAIR (AUXILIARY WATER PUMP)						
					(KIT ALSO INCLUDES SEAL GP-BASIC)						
B - USE AS REQUIRED											
J - KIT MARKED J INCLUDES PART(S) MARKED J											



# COOLING SYSTEM

7E-9781 PUMP GP-AUXILIARY WATER (contd.)

102500722



GRAPHIC #1

<END>

g00572044

# COOLING SYSTEM

## 9Y-8175 PUMP GP-AUXILIARY WATER

S/N: 50Y647-1304

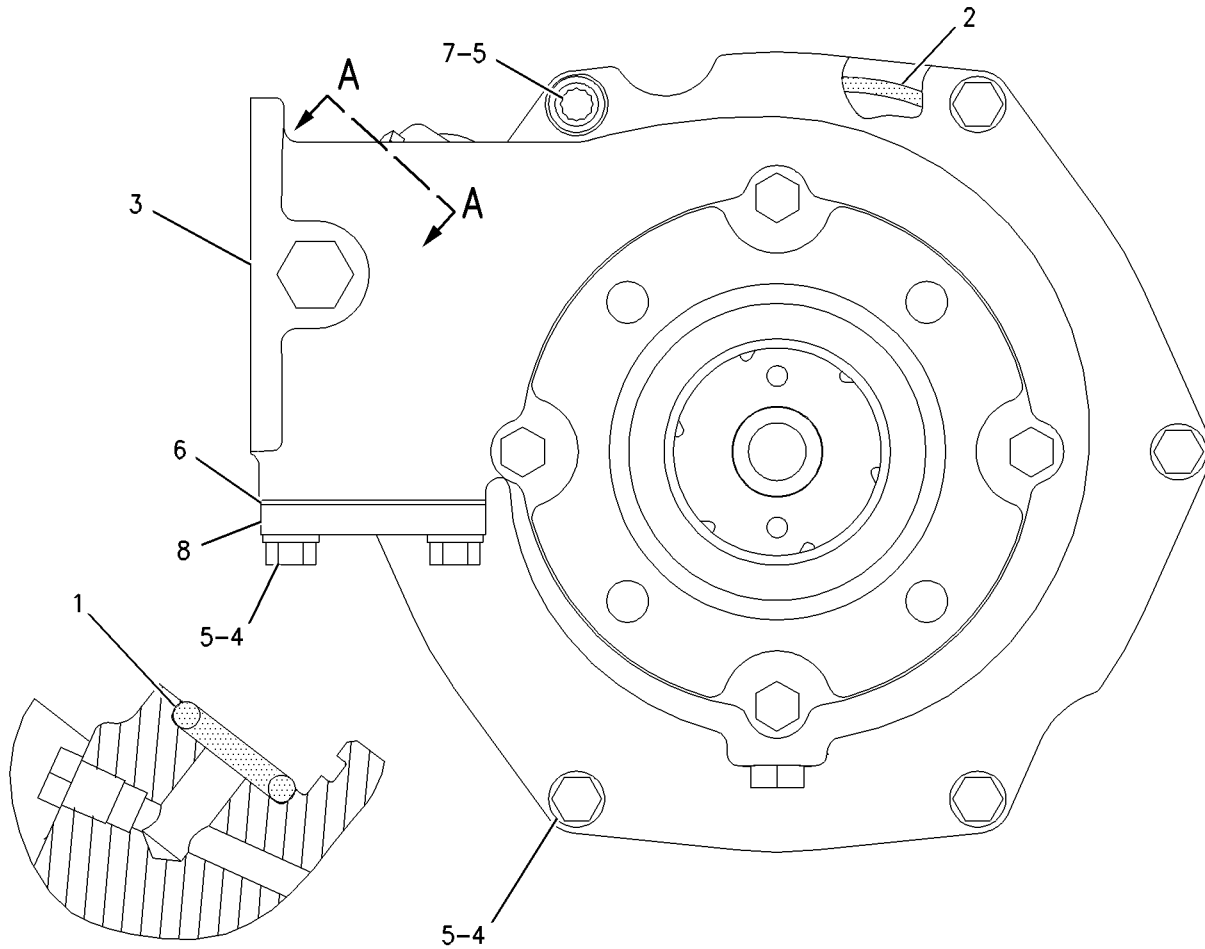
PART OF 357-0858, 376-4849 ENGINE AR-COMPLETE

SMCS-1371

i05854084

NOTE	REF NO	GRAPHIC REF	PART NUMBER	QTY	PART NAME						SEE PAGE
					1	2	3	4	5	6	
	1	1	<b>6V-3348</b>	1	SEAL-O-RING						
	2	1	<b>235-3546</b>	1	SEAL-O-RING						
CYR	3	1	<b>291-4311</b>	1	PUMP GP-AUXILIARY WATER						752
	4	1	<b>0S-1594</b>	7	BOLT (3/8-16X1-IN)						
	5	1	<b>5M-2894</b>	8	WASHER-HARD (10.2X18.5X2.5-MM THK)						
	6	1	<b>5N-1940</b>	1	GASKET						
	7	1	<b>1T-0765</b>	1	BOLT (3/8-16X1-IN)						
	8	1	<b>5N-1939</b>	1	COVER						

C - CHANGE FROM PREVIOUS TYPE  
R - REMANUFACTURED PART MAY BE AVAILABLE  
Y - SEPARATE ILLUSTRATION



SECTION A-A

GRAPHIC #1

<END>

g00912687

# COOLING SYSTEM

## 10R-1072 PUMP GP-WATER

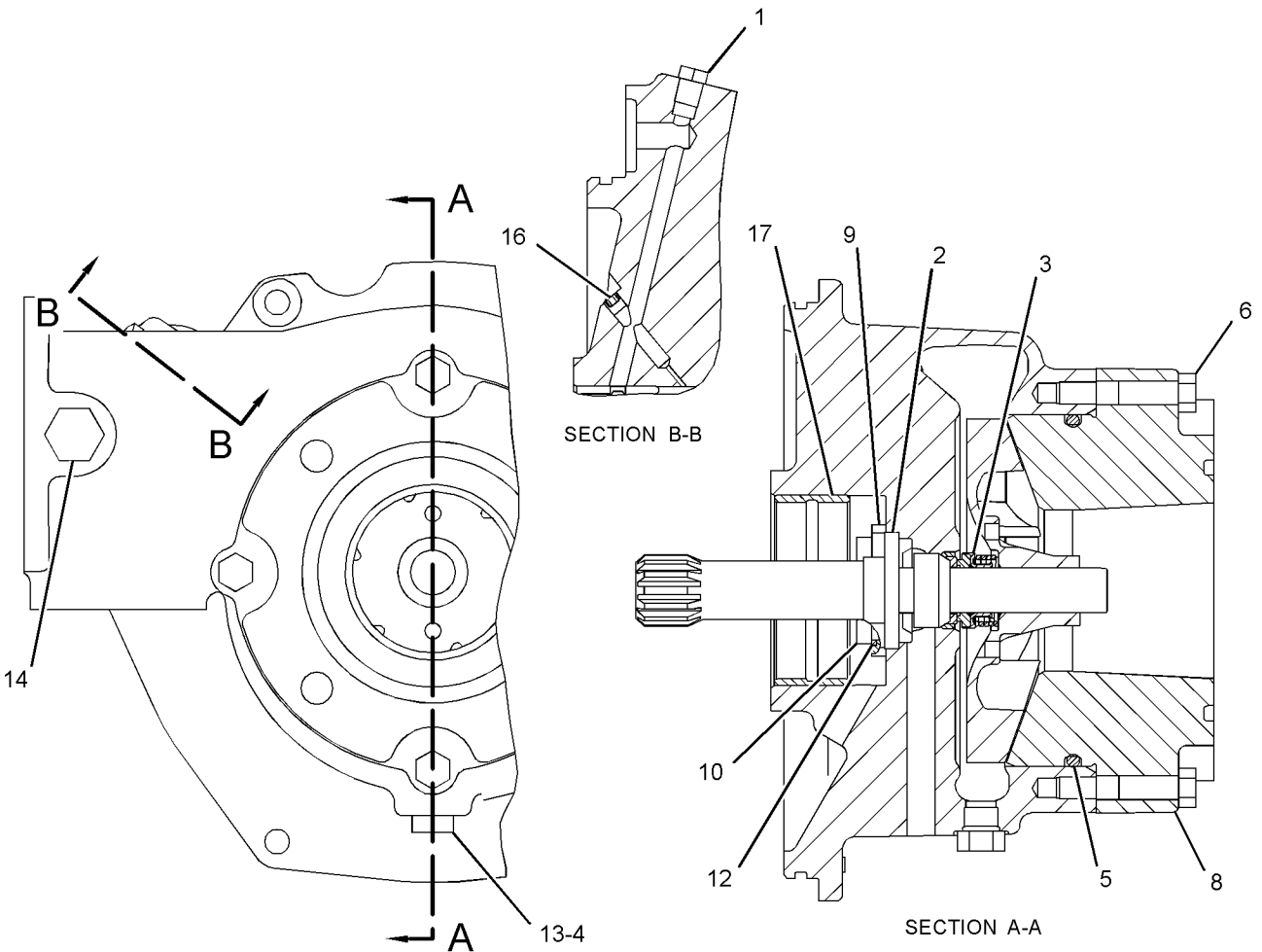
S/N: 50Y647-1304

PART OF 10R-9762 KIT-CONVERSION

SMCS-1361

i04915460

NOTE	REF NO	GRAPHIC REF	PART NUMBER	QTY	PART NAME						SEE PAGE
					1	2	3	4	5	6 (PRODUCT LEVEL)	
	1	1	<b>8T-6764</b>	1	PLUG-PIPE (1/8-27-THD)						
	2	1	<b>9X-4594</b>	1	SEAL-LIP TYPE						
	3	1	<b>262-4378</b>	1	SEAL AS-WATER PUMP						
	4	1	<b>3J-1907</b>	1	SEAL-O-RING						
	5	1	<b>9M-3786</b>	1	SEAL-O-RING						
	6	1	<b>0S-1590</b>	4	BOLT (3/8-16X2-IN)						
	8	1	<b>9Y-8067</b>	1	ADAPTER						
	9	1	<b>5N-4383</b>	2	WASHER-THRUST						
	10	1	<b>8H-3128</b>	4	BOLT-SOCKET HEAD (1/4-20X0.625-IN)						
	12	1	<b>8M-2933</b>	4	SHIM-CARRIER (0.078-IN THK)						
	13	1	<b>9S-4191</b>	1	PLUG (9/16-18-THD)						
	14	1	<b>7W-6492</b>	1	PLUG-PIPE (1/2-14-THD)						
	16	1	<b>8T-6759</b>	1	PLUG-PIPE						
	17	1	<b>127-5400</b>	1	BUSHING						



GRAPHIC #1

<END>

g03087316

# COOLING SYSTEM

## 212-8177 PUMP GP-WATER\*R

S/N: 50Y647-1304

PART OF 2W-9729 PUMP GP-WATER

SMCS-1361

i04835349

NOTE	REF NO	GRAPHIC REF	PART NUMBER	QTY	PART NAME						SEE PAGE
					1	2	3	4	5	6 (PRODUCT LEVEL)	
	1	1	<b>7N-4756</b>	1	HOUSING AS-PUMP						
J	1A	1	<b>3D-2824</b>	1	SEAL-O-RING						
	1B	1	<b>7G-8478</b>	1	ADAPTER						
J	1C	1	<b>4N-5834</b>	2	FILTER-FOAM (WATER PUMP HOUSING)						
	1D	1	<b>8T-6765</b>	1	PLUG-PIPE (1/4-18-THD)						
J	2	1	<b>212-8180</b>	1	SHAFT AS-PUMP DRIVE						
J		1	<b>4B-9782</b>	1	BALL						
J	3	1	<b>0S-1618</b>	2	BOLT (5/16-18X1-IN)						
J	4	1	<b>9M-1974</b>	2	WASHER-HARD (8.8X16X2-MM THK)						
J	5	1	<b>7N-4758</b>	1	WASHER-THRUST						
J	6	1	<b>8C-5236</b>	1	SEAL-LIP TYPE						
J	7	1	<b>166-4376</b>	1	SEAL GP (WATER PUMP)						
J	8	1	<b>212-8184</b>	1	IMPELLER						
J	11	1	<b>166-4374</b>	1	RING AS						
J		1	<b>1L-5316</b>	1	PIN-SPRING						

AVAILABLE REPAIR KIT(S):

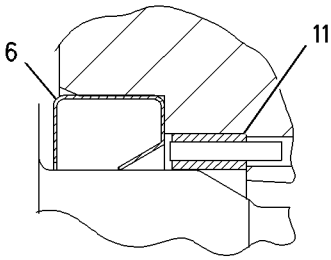
J	<b>222-5152</b>	KIT-WATER PUMP
---	-----------------	----------------

J - KIT MARKED J INCLUDES PART(S) MARKED J

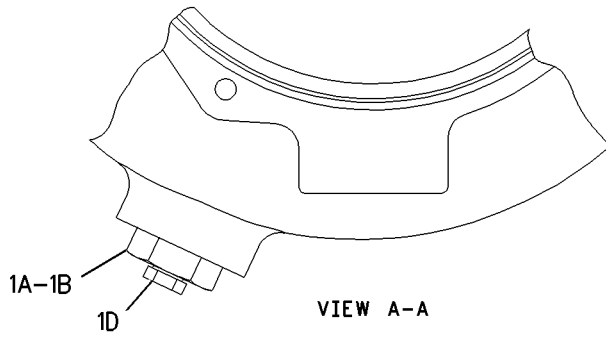
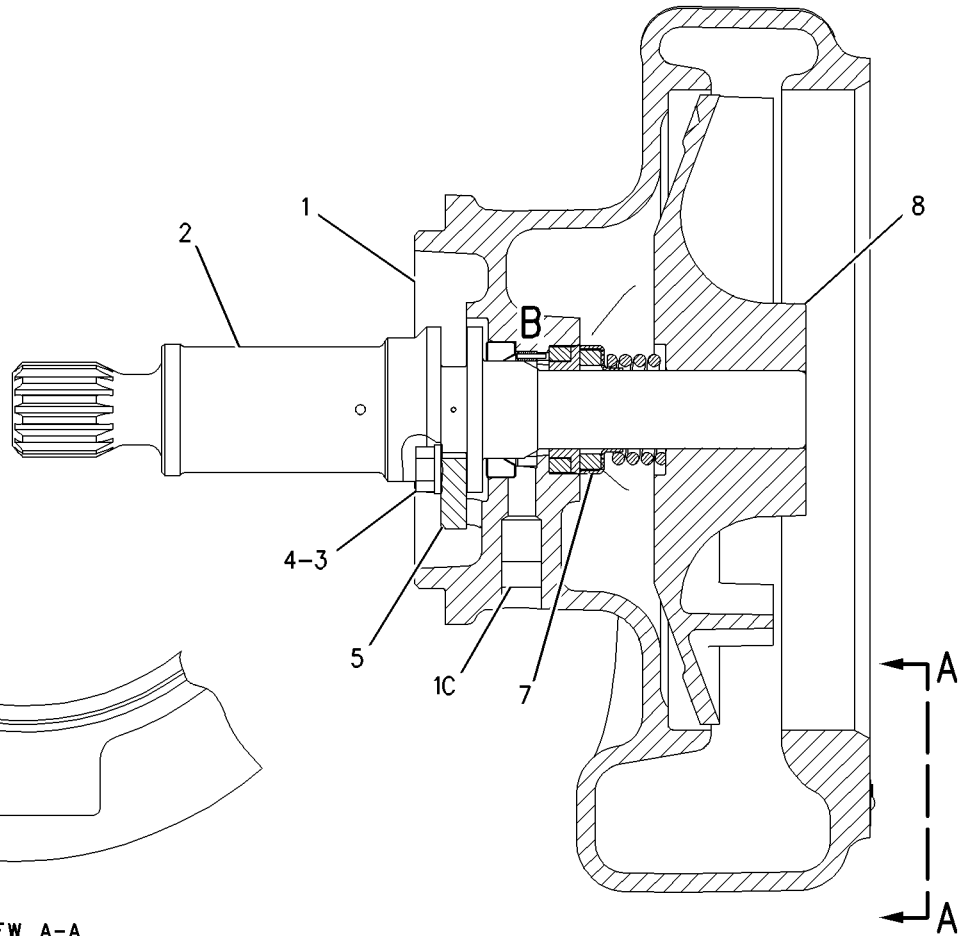
# COOLING SYSTEM

212-8177 PUMP GP-WATER (contd.)

i04835349



VIEW OF AREA B



VIEW A-A

GRAPHIC #1

<END>

g00898430

# COOLING SYSTEM

## 2W-9725 PUMP GP-WATER\*R

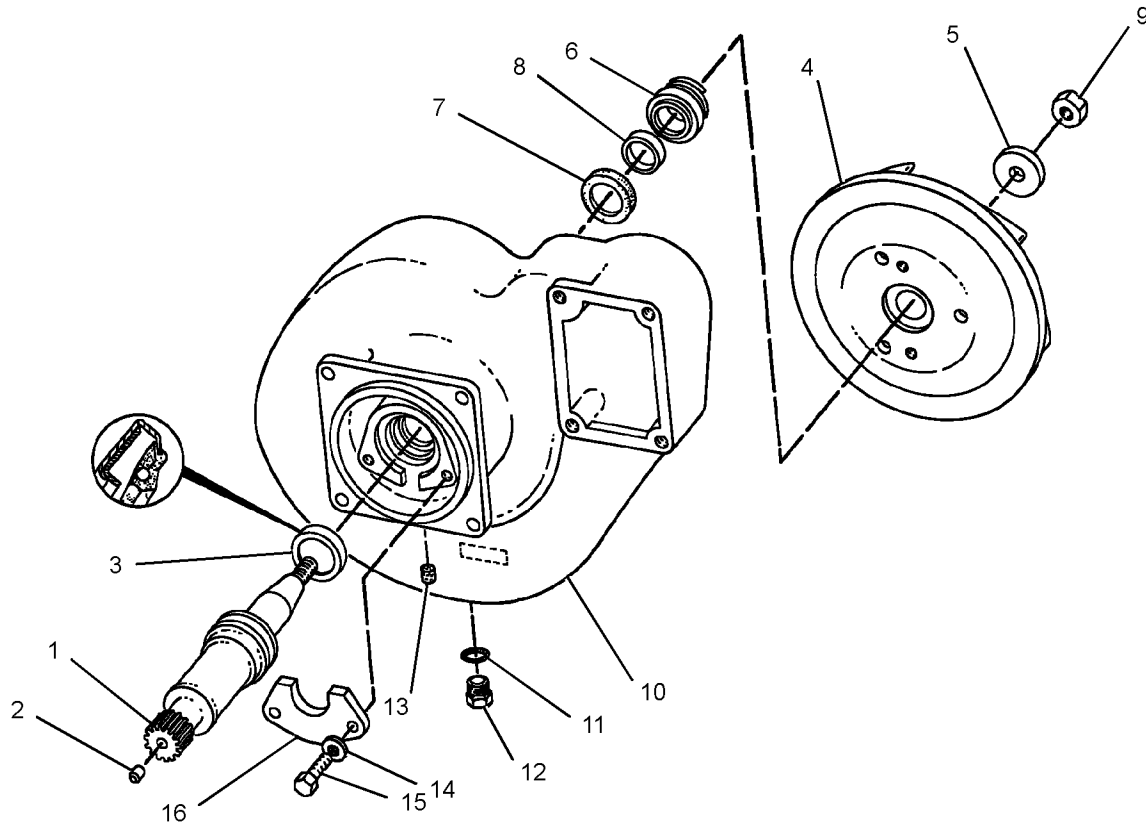
S/N: 66Z190-578

PART OF 2W-9726 PUMP GP-WATER

SMCS-1361

i02726802

NOTE	REF NO	GRAPHIC REF	PART NUMBER	QTY	PART NAME						SEE PAGE
					1	2	3	4	5	6 (PRODUCT LEVEL)	
	1	1	<b>2W-9723</b>	1	SHAFT AS-PUMP DRIVE						
	2	1	<b>6F-7172</b>	1	DOWEL						
	3	1	<b>8C-5236</b>	1	SEAL-LIP TYPE						
	4	1	<b>2W-9724</b>	1	IMPELLER-PUMP						
	5	1	<b>2P-3696</b>	1	RETAINER						
	6	1	<b>6N-9313</b>	1	SEAL GP-PUMP						
	7	1	<b>6N-5476</b>	1	RING-SEAL						
	8	1	<b>6N-5475</b>	1	SEAL-WATER PUMP						
	9	1	<b>6V-8287</b>	1	LOCKNUT (5/8-18-THD)						
	10	1	<b>7N-4756</b>	1	HOUSING AS-PUMP						
	11	1	<b>3D-2824</b>	1	SEAL-O-RING						
	12	1	<b>9S-4183</b>	1	PLUG (1-1/16-12-THD)						
	13	1	<b>4N-5834</b>	2	FILTER-FOAM (WATER PUMP HOUSING)						
	14	1	<b>9M-1974</b>	2	WASHER-HARD (8.8X16X2-MM THK)						
	15	1	<b>0S-1618</b>	2	BOLT (5/16-18X1-IN)						
	16	1	<b>7N-4758</b>	1	WASHER-THRUST						



GRAPHIC #1

<END>

g01367868

# COOLING SYSTEM

## 2W-9726 PUMP GP-WATER

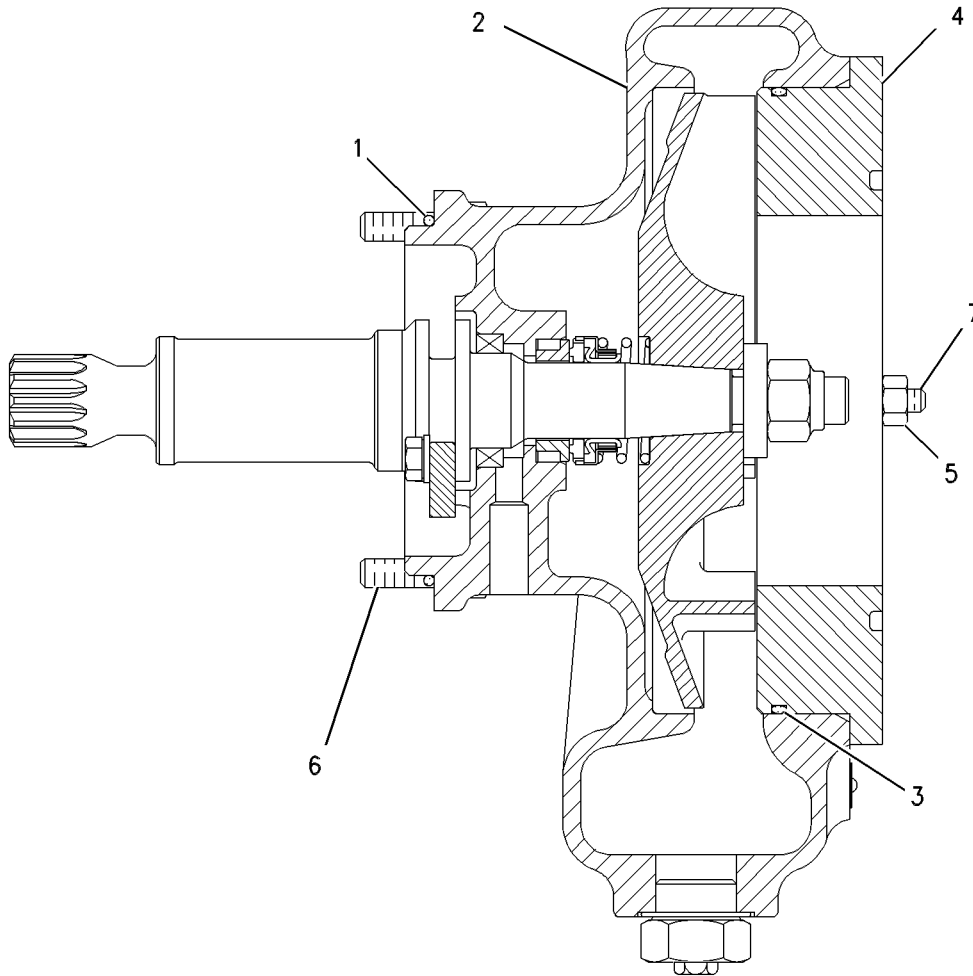
S/N: 66Z190-578

SMCS-1361

i01161902

NOTE	REF NO	GRAPHIC REF	PART NUMBER	QTY	PART NAME						SEE PAGE
					1	2	3	4	5	6	
	1	1	<b>5H-6734</b>	1	SEAL-O-RING						
YR	2	1	<b>2W-9725</b>	1	PUMP GP-WATER						772
	3	1	<b>1H-8278</b>	1	SEAL-O-RING						
	4	1	<b>8N-6423</b>	1	COVER (WATER INLET)						
	5	1	<b>9S-8752</b>	3	NUT-FULL (3/8-16-THD)						
	6	1	<b>3B-1915</b>	4	BOLT (3/8-16X1.375-IN)						
	7	1	<b>9M-2151</b>	3	STUD-TAPERLOCK (3/8-16X1.378-IN)						

R - REMANUFACTURED PART MAY BE AVAILABLE  
 Y - SEPARATE ILLUSTRATION



GRAPHIC #1

<END>

g00618978

# COOLING SYSTEM

## 2W-9728 PUMP GP-WATER\*R

S/N: 50Y647-1304

PART OF 2W-9729 PUMP GP-WATER

SMCS-1361

i02641742

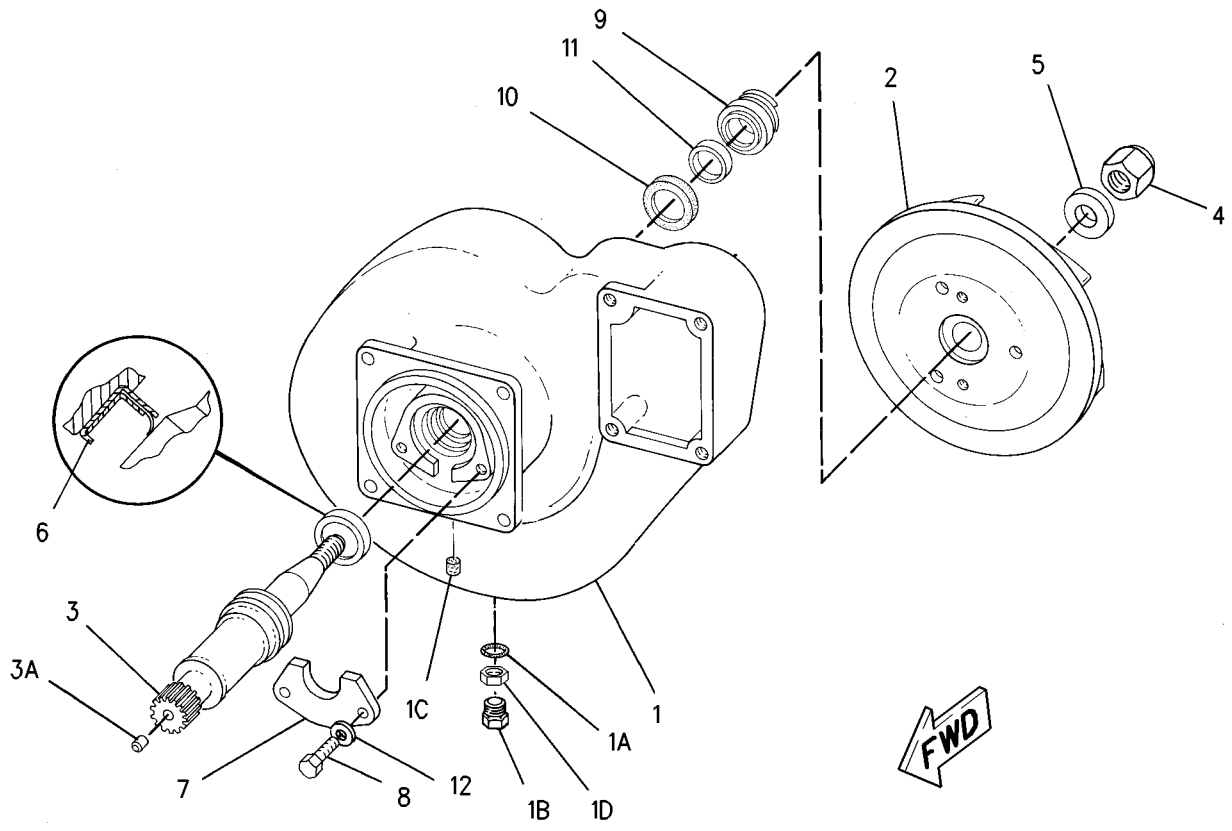
NOTE	REF NO	GRAPHIC REF	PART NUMBER	QTY	PART NAME						SEE PAGE
					1	2	3	4	5	6 (PRODUCT LEVEL)	
	1	1	<b>7N-4756</b>	1	HOUSING AS-PUMP						
J	1A	1	<b>3D-2824</b>	1	SEAL-O-RING						
	1B	1	<b>8T-6765</b>	1	PLUG-PIPE (1/4-18-THD)						
J	1C	1	<b>4N-5834</b>	2	FILTER-FOAM (WATER PUMP HOUSING)						
	1D	1	<b>7G-8478</b>	1	ADAPTER						
	2	1	<b>2W-9727</b>	1	IMPELLER-PUMP						
J	3	1	<b>2W-9723</b>	1	SHAFT AS-PUMP DRIVE						
	3A	1	<b>6F-7172</b>	1	DOWEL						
J	4	1	<b>6V-8287</b>	1	LOCKNUT (5/8-18-THD)						
	5	1	<b>2P-3696</b>	1	RETAINER						
J	6	1	<b>8C-5236</b>	1	SEAL-LIP TYPE						
J	7	1	<b>7N-4758</b>	1	WASHER-THRUST						
	8	1	<b>0S-1618</b>	2	BOLT (5/16-18X1-IN)						
J	9	1	<b>166-4376</b>	1	SEAL GP						
	10	1	<b>6N-5476</b>	1	RING-SEAL						
	11	1	<b>6N-5475</b>	1	SEAL-WATER PUMP						
J	12	1	<b>9M-1974</b>	2	WASHER-HARD (8.8X16X2-MM THK)						
					AVAILABLE REPAIR KIT(S):						
J			<b>190-8921</b>		KIT-WATER PUMP						
J - KIT MARKED J INCLUDES PART(S) MARKED J											



# COOLING SYSTEM

2W-9728 PUMP GP-WATER (contd.)

102641742



GRAPHIC #1

<END>

g00734008

# COOLING SYSTEM

## 2W-9729 PUMP GP-WATER

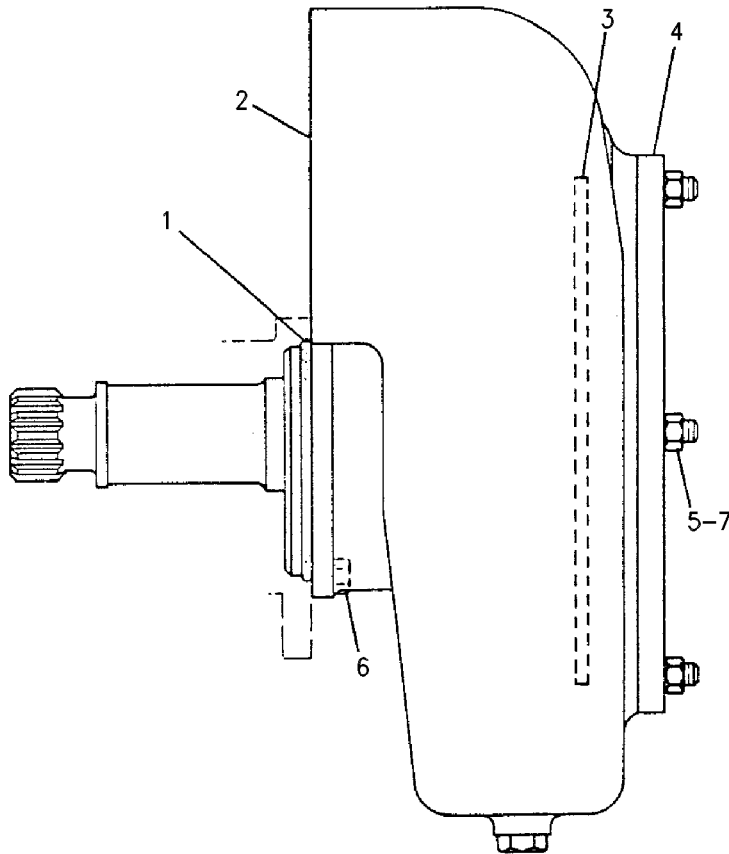
S/N: 50Y647-1304

SMCS-1361

i01211781

NOTE	REF NO	GRAPHIC REF	PART NUMBER	QTY	PART NAME						SEE PAGE
					1	2	3	4	5	6	
	1	1	<b>5H-6734</b>	1	SEAL-O-RING						
YR	2	1	2W-9728	1	PUMP GP-WATER						774
	3	1	<b>1H-8278</b>	1	SEAL-O-RING						
	4	1	<b>8N-6423</b>	1	COVER (WATER INLET)						
	5	1	<b>1D-4717</b>	3	NUT (3/8-16-THD)						
	6	1	<b>3B-1915</b>	4	BOLT (3/8-16X1.375-IN)						
	7	1	<b>9M-2151</b>	3	STUD-TAPERLOCK (3/8-16X1.378-IN)						

R - REMANUFACTURED PART MAY BE AVAILABLE  
 Y - SEPARATE ILLUSTRATION



GRAPHIC #1

<END>

g00647733

# COOLING SYSTEM

## 2W-9729 PUMP GP-WATER

S/N: 50Y647-1304

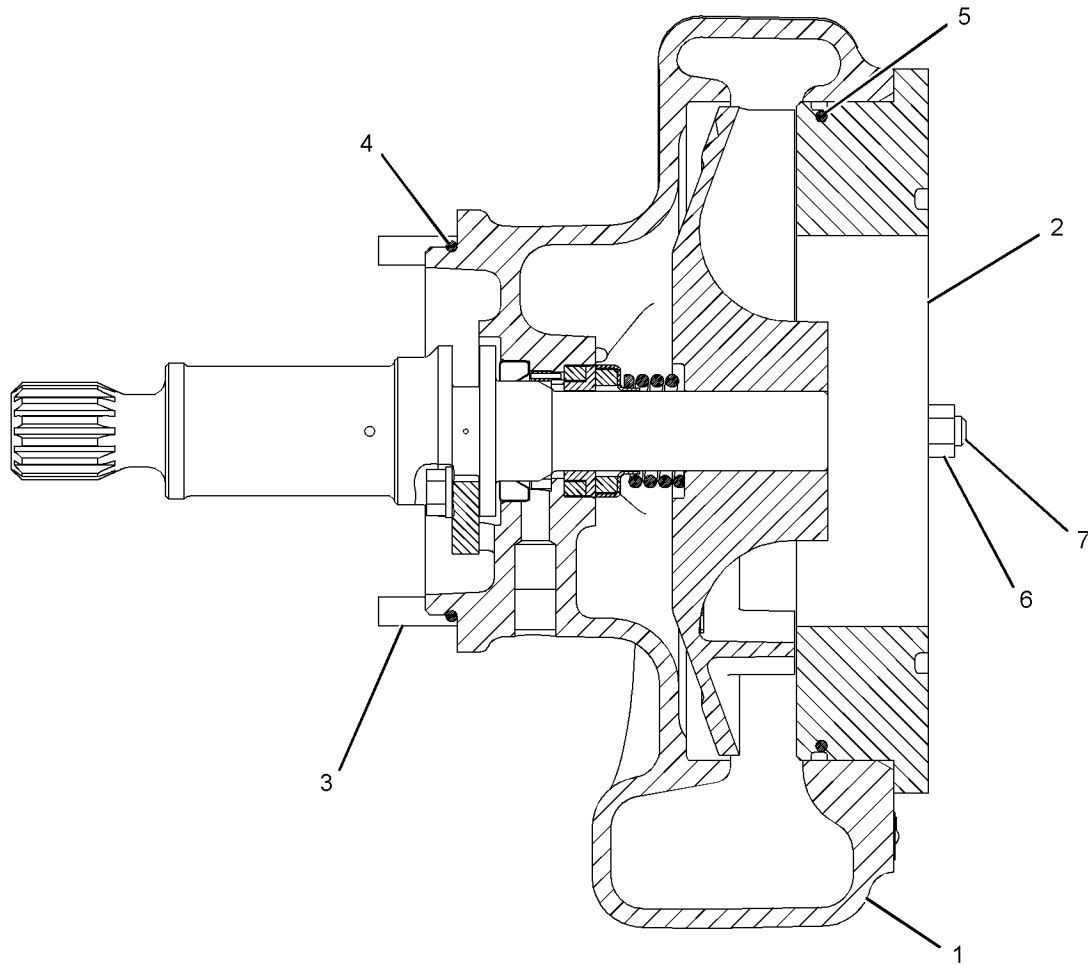
PART OF 357-0858, 376-4849 ENGINE AR-COMplete

SMCS-1361

i05527089

NOTE	REF NO	GRAPHIC REF	PART NUMBER	QTY	PART NAME						SEE PAGE
					1	2	3	4	5	6	
CYR	1	1	<b>212-8177</b>	1	PUMP GP-WATER						770
	2	1	<b>8N-6423</b>	1	COVER (WATER INLET)						
	3	1	<b>3B-1915</b>	4	BOLT (3/8-16X1.375-IN)						
	4	1	<b>5H-6734</b>	1	SEAL-O-RING						
	5	1	<b>149-5462</b>	1	SEAL-O-RING						
	6	1	<b>9S-8752</b>	3	NUT-FULL (3/8-16-THD)						
	7	1	<b>9M-2151</b>	3	STUD-TAPERLOCK (3/8-16X1.378-IN)						

C - CHANGE FROM PREVIOUS TYPE  
R - REMANUFACTURED PART MAY BE AVAILABLE  
Y - SEPARATE ILLUSTRATION



GRAPHIC #1

<END>

g03499605

# COOLING SYSTEM

## 4P-5767 SEPARATOR GP-AIR FOR USE WITH HEAT EXCHANGER OR KEEL COOLER AN ATTACHMENT

SMCS-139S

i06732511

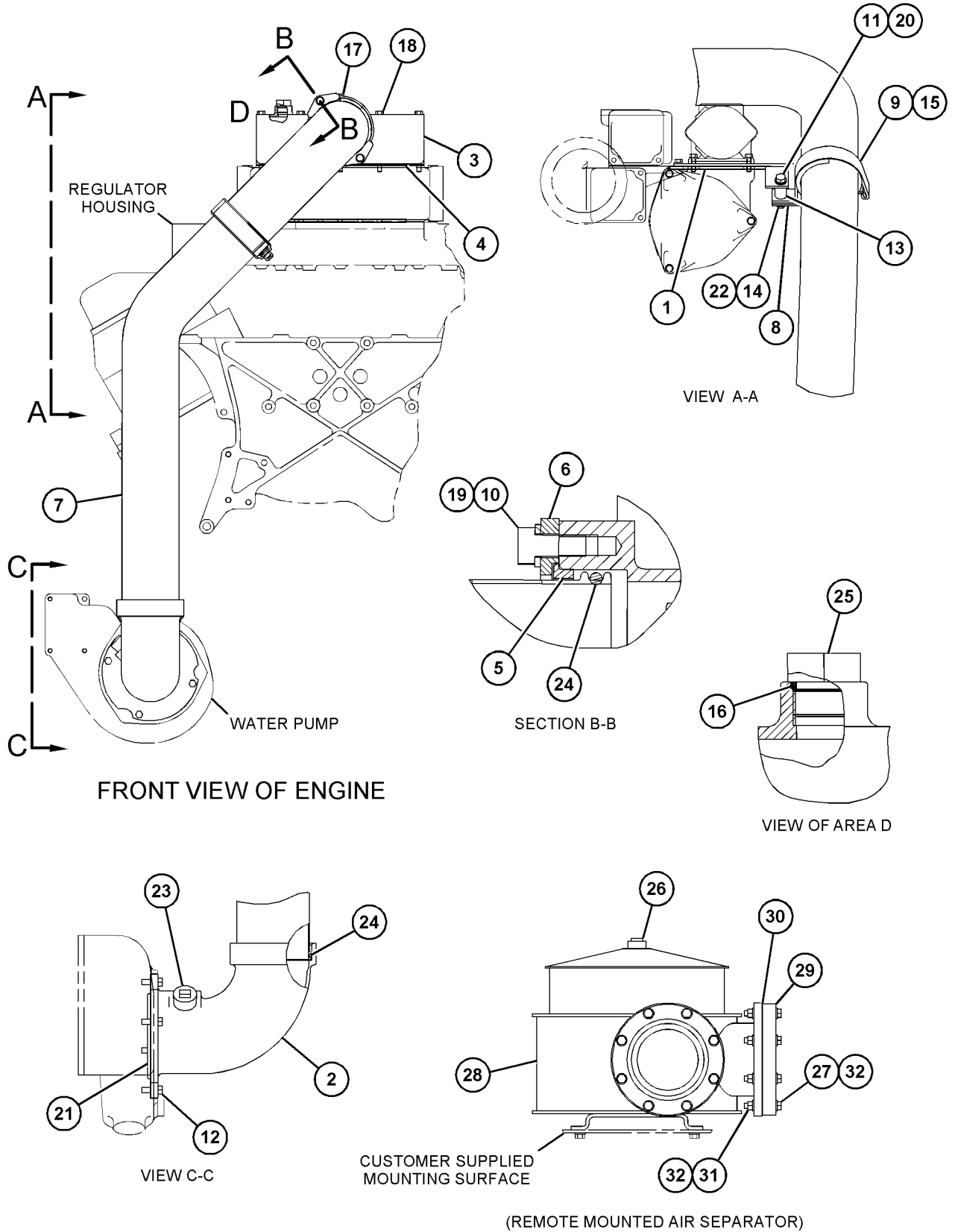
NOTE	REF NO	GRAPHIC REF	PART NUMBER	QTY	PART NAME						SEE PAGE
					1	2	3	4	5	6 (PRODUCT LEVEL)	
	1	1	<b>6I-3136</b>	1	PLATE						
	2	1	<b>7E-4879</b>	1	ELBOW						
	3	1	<b>394-0505</b>	1	HOUSING AS						
		1	<b>7E-4650</b>	1	HOUSING						
		1	<b>111-4374</b>	1	VALVE AS						
	4	1	<b>7N-4927</b>	1	GASKET-HOUSING COVER						
	5	1	<b>8N-8570</b>	1	RING-RETAINING						
	6	1	<b>8N-8571</b>	2	RETAINER						
	7	1	<b>475-0731</b>	1	TUBE						
	8	1	<b>275-5735</b>	1	CLIP-2 PIECE						
	9	1	<b>275-5736</b>	1	CLIP-2 PIECE						
	10	1	<b>0L-1351</b>	2	BOLT (3/8-16X0.875-IN)						
	11	1	<b>0V-0375</b>	1	BOLT (1/2-13X3.25-IN)						
	12	1	<b>1A-2029</b>	4	BOLT (3/8-16X1.125-IN)						
	13	1	<b>1F-1609</b>	1	SPACER (13.5X25.4X39.7-MM THK)						
	14	1	<b>1F-7958</b>	1	NUT-FULL (1/2-13-THD)						
	15	1	<b>275-7901</b>	1	GROMMET						
B	16	1	<b>3D-2824</b>	2	SEAL-O-RING						
	17	1	<b>4F-0411</b>	2	BOLT (3/8-16X6.5-IN)						
	18	1	<b>5B-9603</b>	8	BOLT (3/8-16X5-IN)						
	19	1	<b>5M-2894</b>	2	WASHER-HARD (10.2X18.5X2.5-MM THK)						
	20	1	<b>5P-8245</b>	1	WASHER-HARD (13.5X25.5X3-MM THK)						
	21	1	<b>6V-6809</b>	1	SEAL-O-RING						
	22	1	<b>7D-1649</b>	1	WASHER-HARD (13.5X32X5-MM THK)						
	23	1	<b>7X-7730</b>	1	PLUG-PIPE						
	24	1	<b>8T-2903</b>	2	SEAL-O-RING						
B	25	1	<b>9S-4183</b>	2	PLUG (1-1/16-12-THD)						
	26	1	<b>8T-6762</b>	1	PLUG-PIPE (1/2-14-THD)						
	27	1	<b>8T-9377</b>	16	BOLT (3/8-16X2.25-IN)						
	28	1	<b>4P-5295</b>	1	SEPARATOR AS-AIR						
	29	1	<b>7N-7009</b>	2	FLANGE						
	30	1	<b>1S-5772</b>	2	GASKET						
	31	1	<b>6V-8801</b>	16	NUT (3/8-16-THD)						
	32	1	<b>8T-4896</b>	32	WASHER-HARD (10.2X18.5X2.5-MM THK)						

B - USE AS REQUIRED

# COOLING SYSTEM

4P-5767 SEPARATOR GP-AIR (contd.)

i06732511



GRAPHIC #1

<END>

g06118984

# COOLING SYSTEM

## 7N-4885 SWITCH GP-COOLANT LEVEL

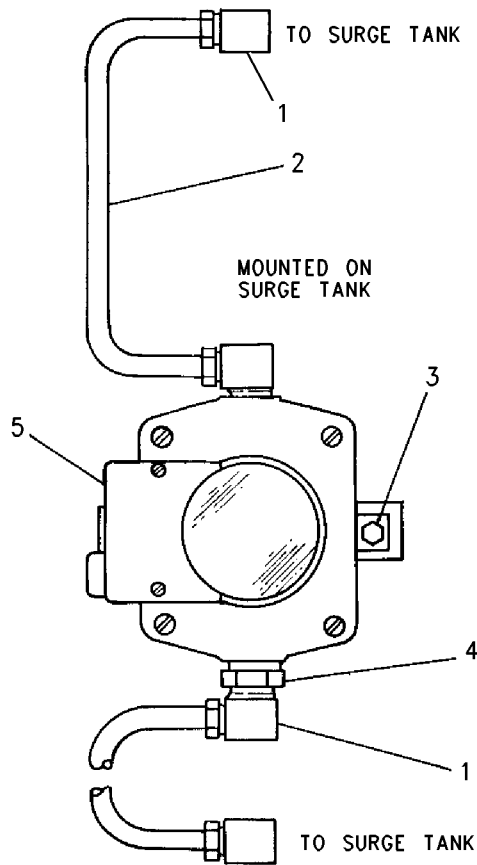
S/N: 50Y647; 66Z190-578  
FOR USE WITH EXPANSION TANK  
ALSO AN ATTACHMENT

SMCS-7470

i01848590

NOTE	REF NO	GRAPHIC REF	PART NUMBER	QTY	PART NAME						SEE PAGE
					1	2	3	4	5	6 (PRODUCT LEVEL)	
	1	1	<b>5K-9235</b>	4	ELBOW-FLARED						
	2	1	<b>3N-1328</b>	2	TUBE AS						
	3	1	<b>0S-1615</b>	2	BOLT (1/4-20X0.75-IN)						
		1	<b>5P-0537</b>	2	WASHER-HARD (7.2X14.5X2-MM THK)						
	4	1	<b>6B-5072</b>	1	ADAPTER						
C	5	1	<b>7W-2296</b>	1	SWITCH AS-LIQUID LEVEL (LIQUID LEVEL) (COOLANT)						
		1	<b>7W-2295</b>	1	COVER AS-SWITCH						

C - CHANGE FROM PREVIOUS TYPE



GRAPHIC #1

<END>

g00691642

# COOLING SYSTEM

## 7N-4885 SWITCH GP-COOLANT LEVEL

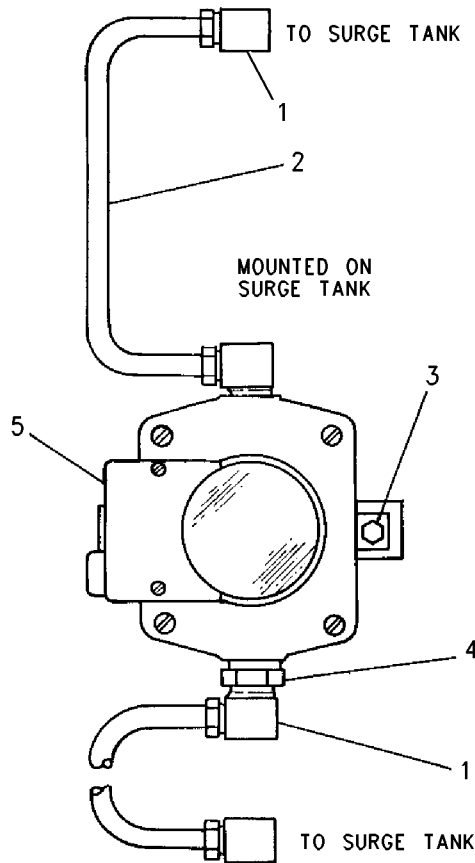
S/N: 50Y647-1304; 66Z190-206  
 FOR USE WITH EXPANSION TANK  
 ALSO AN ATTACHMENT

**SMCS-7470**

**i01338488**

NOTE	REF NO	GRAPHIC REF	PART NUMBER	QTY	PART NAME						SEE PAGE
					1	2	3	4	5	6 (PRODUCT LEVEL)	
	1	1	<b>5K-9235</b>	4	ELBOW-FLARED						
	2	1	<b>3N-1328</b>	2	TUBE AS						
	3	1	<b>0S-1615</b>	2	BOLT (1/4-20X0.75-IN)						
		1	<b>5P-0537</b>	2	WASHER-HARD (7.2X14.5X2-MM THK)						
	4	1	<b>6B-5072</b>	1	ADAPTER						
C	5	1	<b>2N-9768</b>	1	SWITCH-LIQUID LEVEL						

C - CHANGE FROM PREVIOUS TYPE



GRAPHIC #1

<END>

g00691642

# COOLING SYSTEM

## 7N-4885 SWITCH GP-COOLANT LEVEL

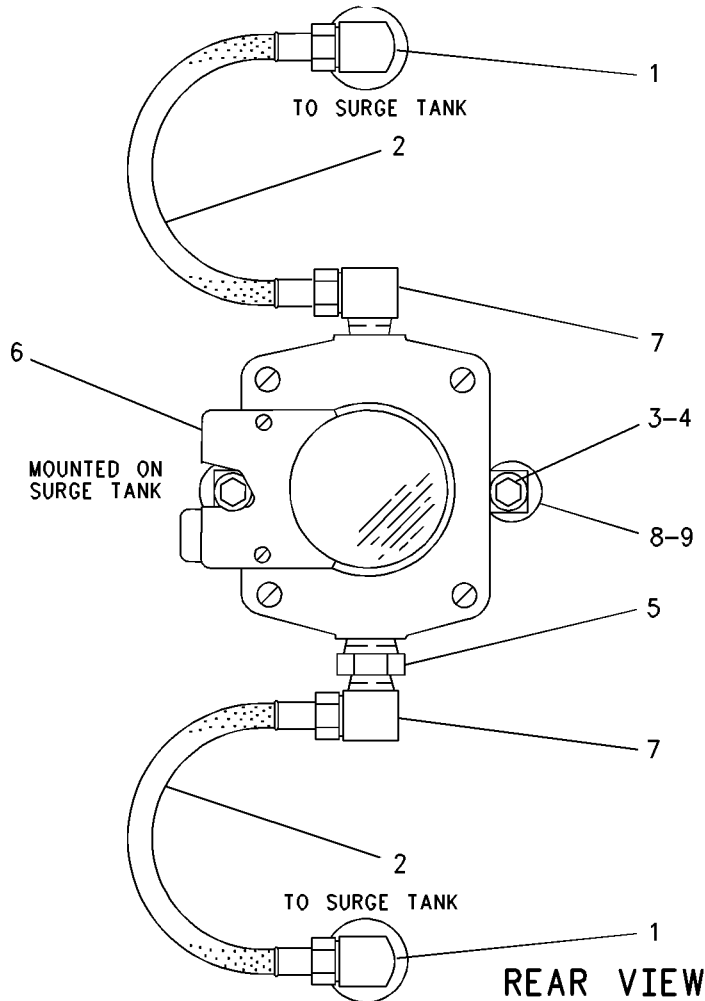
FOR USE WITH EXPANSION TANK  
AN ATTACHMENT

SMCS-7470

i07192332

NOTE	REF NO	GRAPHIC REF	PART NUMBER	QTY	PART NAME						SEE PAGE
					1	2	3	4	5	6 (PRODUCT LEVEL)	
C	1	1	6V-4245	2	ELBOW						
CI	2	1	3N-4622	2	HOSE AS						
C	3	1	2A-0762	2	BOLT (1/4-20X0.625-IN)						
	4	1	5P-0537	2	WASHER-HARD (7.2X14.5X2-MM THK)						
	5	1	6B-5072	1	ADAPTER						
	6	1	2N-9768	1	SWITCH-LIQUID LEVEL (COOLANT)						
C	7	1	6K-1972	2	ELBOW-FLARED						
C	8	1	7E-7731	2	MOUNT						
	9	1	6V-7646	2	WASHER-HARD (7.2X25X2-MM THK)						

C - CHANGE FROM PREVIOUS TYPE  
I - REFER TO HYDRAULIC INFORMATION SYSTEM



GRAPHIC #1

<END>

g00899609



# COOLING SYSTEM

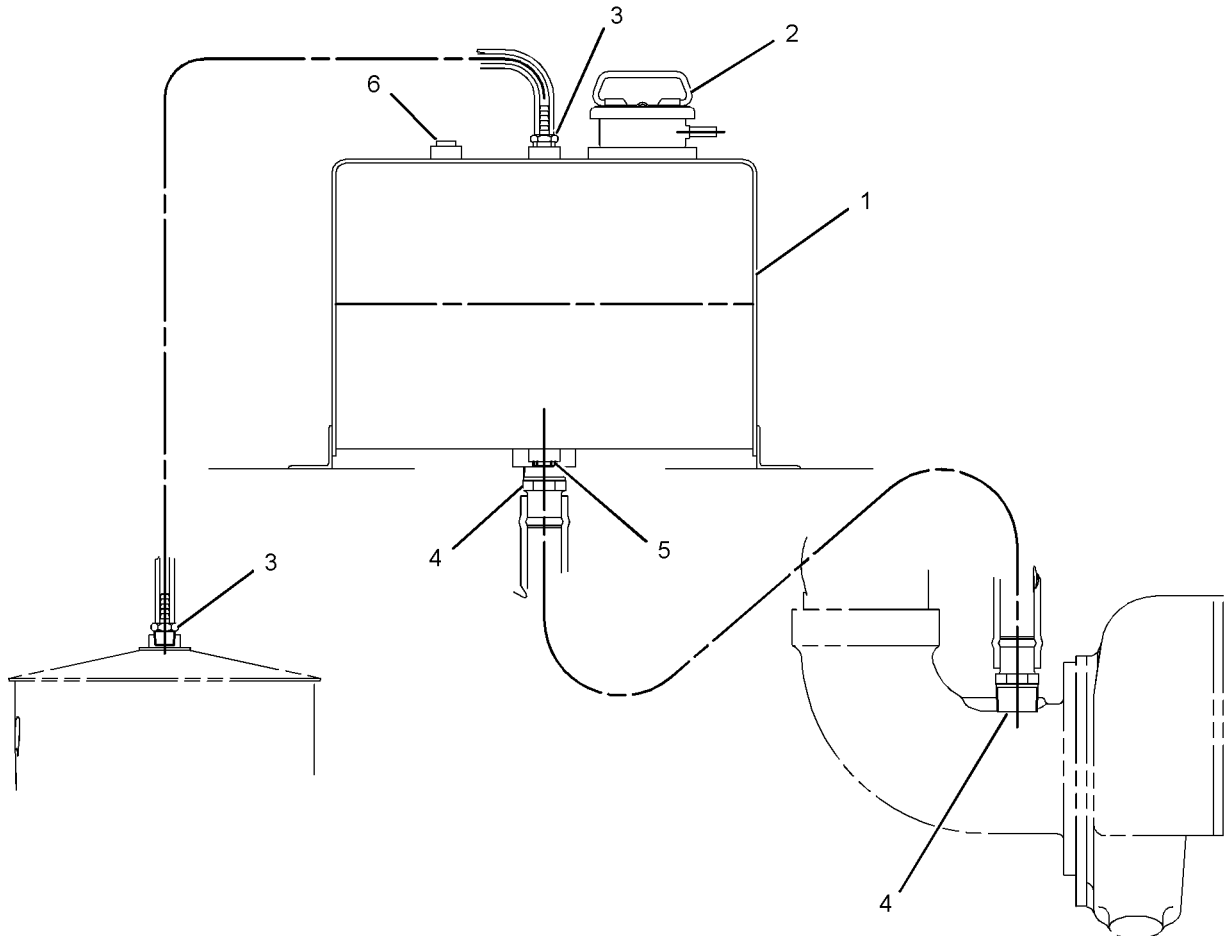
## 4P-5766 TANK GP-COOLANT AN ATTACHMENT

SMCS-1377

i03687963

NOTE	REF NO	GRAPHIC REF	PART NUMBER	QTY	PART NAME						SEE PAGE
					1	2	3	4	5	6	
	1	1	<b>4P-5635</b>	1	TANK AS						
J	2	1	<b>4N-3311</b>	1	CAP-PRESSURE (7-PSI) (COOLANT TANK)						
					-OR-						
L		1	<b>127-8660</b>	1	CAP-PRESSURE (14-PSI) (COOLANT TANK)						
	3	1	<b>2R-8613</b>	2	ADAPTER-HOSE						
	4	1	<b>7X-1445</b>	2	FITTING						
	5	1	<b>8T-6765</b>	2	PLUG-PIPE (1/4-18-THD)						
	6	1	<b>8T-6762</b>	1	PLUG-PIPE (1/2-14-THD)						
AVAILABLE REPAIR KIT(S) :											
JL			<b>225-4256</b>	1	FILM-WARNING (HOT FLUID UNDER PRESSURE, U.S.)						
J			<b>294-9052</b>	1	KIT-COOLING SYSTEM PARTS (7-PSI) (COOLANT TANK) (INCLUDES RADIATOR CAP & WARNING FILM)						
L			<b>295-5458</b>		KIT-COOLING SYSTEM PARTS (14-PSI) (COOLANT TANK) (INCLUDES RADIATOR CAP & WARNING FILM)						

J - KIT MARKED J SERVICES PART(S) MARKED J  
L - KIT MARKED L SERVICES PARTS(S) MARKED L



GRAPHIC #1

<END>

g01015392

# COOLING SYSTEM

## 119-7334 TANK GP-EXPANSION

S/N: 50Y647-1304

PART OF 357-0858, 376-4849 ENGINE AR-COMPLETE

SMCS-1354

i05401070

NOTE	REF NO	GRAPHIC REF	PART NUMBER	QTY	PART NAME						SEE PAGE
					1	2	3	4	5	6 (PRODUCT LEVEL)	
	1	1	<b>1S-5772</b>	1	GASKET						
	2	1	<b>2N-0931</b>	4	GASKET						
	3	1	<b>3H-5939</b>	1	GASKET-HEAT EXCHANGER						
	4	1	<b>3N-1341</b>	1	ADAPTER AS-NECK						
J	5	1	<b>4N-3311</b>	1	CAP-PRESSURE (7-PSI) (EXPANSION TANK)						
					-OR-						
L		1	<b>127-8660</b>	1	CAP-PRESSURE (14-PSI) (EXPANSION TANK)						
	6	1	<b>5D-1026</b>	1	CLAMP-BAND						
	7	1	<b>7N-4927</b>	1	GASKET-HOUSING COVER						
	8	1	<b>7N-5120</b>	1	FLANGE						
	9	1	<b>7N-5123</b>	1	TUBE						
	10	1	<b>8B-9725</b>	4	BOSS						
E	11	1	<b>5P-0721</b>		HOSE (193-CM)						
	12	1	<b>8N-9422</b>	1	ELBOW						
	13	1	<b>8N-9609</b>	4	FLANGE						
	14	1	<b>8N-9706</b>	2	TUBE						
	15	1	<b>119-7333</b>	1	HOUSING AS						
		1	<b>111-4374</b>	1	VALVE AS						
	16	1	<b>245-2876</b>	1	TANK AS-EXPANSION						
	17	1	<b>0L-1351</b>	6	BOLT (3/8-16X0.875-IN)						
	18	1	<b>0S-1585</b>	4	BOLT (1/2-13X1.5-IN)						
	19	1	<b>0S-1590</b>	8	BOLT (3/8-16X2-IN)						
	20	1	<b>0S-1595</b>	1	BOLT (1/2-13X1.25-IN)						
	21	1	<b>0S-1621</b>	1	BOLT (1/2-13X1-IN)						
	22	1	<b>1A-2029</b>	4	BOLT (3/8-16X1.125-IN)						
	23	1	<b>1C-2251</b>	16	BOLT (3/8-16X1.87-IN)						
	24	1	<b>2A-1531</b>	2	BOLT (1/2-13X6.5-IN)						
	25	1	<b>3S-8664</b>	2	CLIP (LOOP)						
	26	1	<b>4M-2442</b>	4	BOLT (1/2-13X12.32-IN)						
	27	1	<b>5B-9603</b>	10	BOLT (3/8-16X5-IN)						
	28	1	<b>5M-2894</b>	24	WASHER-HARD (10.2X18.5X2.5-MM THK)						
	29	1	<b>6D-4636</b>	1	CLIP (LOOP)						
	30	1	<b>5P-8245</b>	12	WASHER-HARD (13.5X25.5X3-MM THK)						
	31	1	<b>6V-1454</b>	4	SEAL-O-RING						
	32	1	<b>6V-6809</b>	1	SEAL-O-RING						
	33	1	<b>8T-2903</b>	2	SEAL-O-RING						
	34	1	<b>8T-6765</b>	5	PLUG-PIPE (1/4-18-THD)						
	35	1	<b>357-9544</b>	1	CLIP						
	36	1	<b>9X-6772</b>	1	STRAP-CABLE						
					AVAILABLE REPAIR KIT(S):						
JL			<b>225-4256</b>	1	FILM-WARNING (HOT FLUID UNDER PRESSURE, U.S.)						
J			<b>294-9052</b>	1	KIT-COOLING SYSTEM PARTS (7-PSI) (EXPANSION TANK)						
					(INCLUDES RADIATOR CAP & WARNING FILM)						
L			<b>295-5458</b>		KIT-COOLING SYSTEM PARTS (14-PSI) (EXPANSION TANK)						
					(INCLUDES RADIATOR CAP & WARNING FILM)						

# COOLING SYSTEM

119-7334 TANK GP-EXPANSION (contd.)

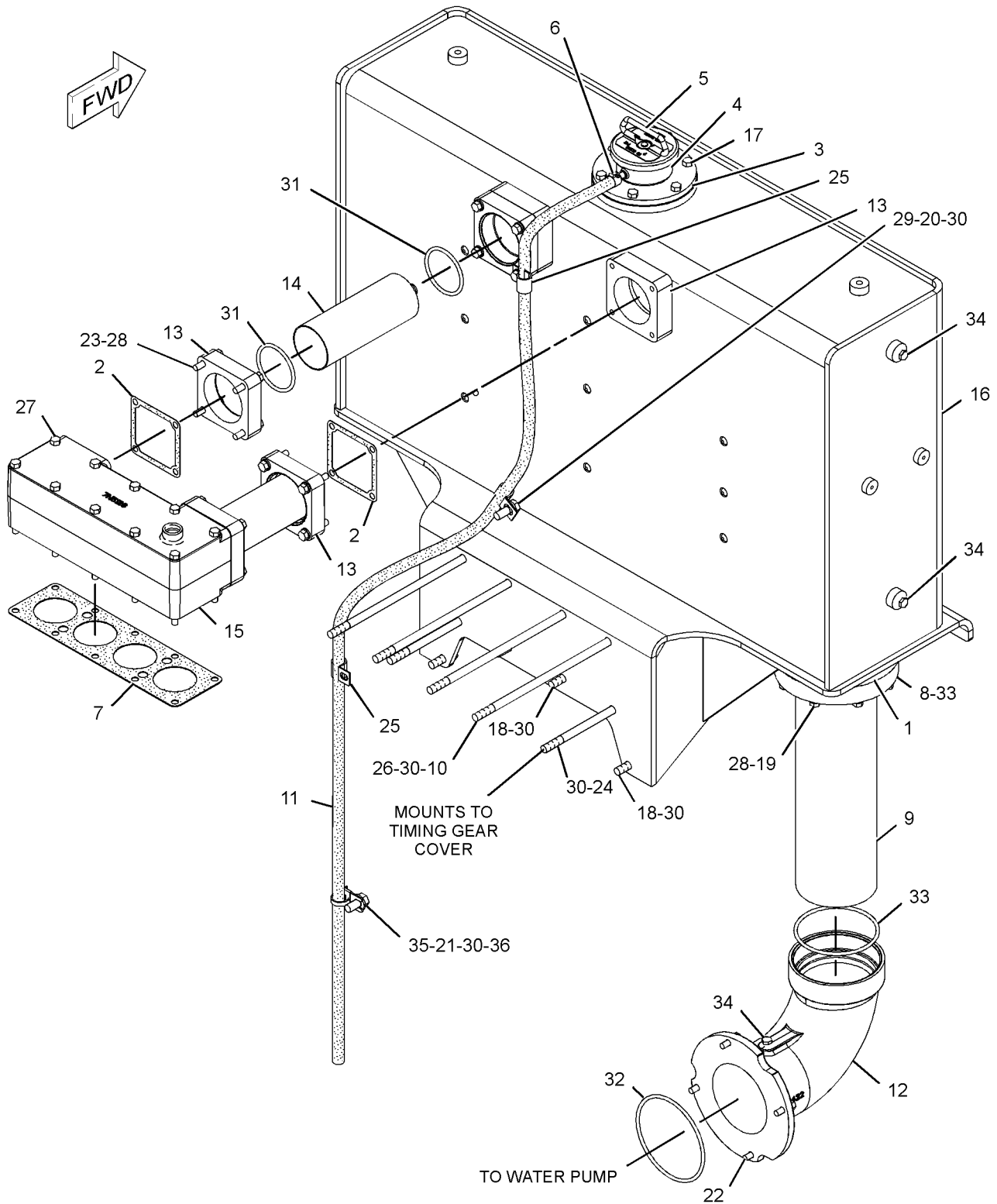
i05401070

NOTE	REF NO	GRAPHIC REF	PART NUMBER	QTY	PART NAME						SEE PAGE
					1	2	3	4	5	6 (PRODUCT LEVEL)	
E - ORDER BY THE CENTIMETER											
J - PARTS MARKED J SERVICE PART(S) MARKED J											
L - KIT MARKED L SERVICE PARTS(S) MARKED L											

# COOLING SYSTEM

119-7334 TANK GP-EXPANSION (contd.)

i05401070



GRAPHIC #1

<END>

g02307815

# COOLING SYSTEM

## 8N-7717 TANK GP-EXPANSION

S/N: 50Y647-873; 66Z190-378

FOR USE WITH 8N-8993-PAGE: 610, 8N-7643-PAGE: 647

SMCS-1354

i00884902

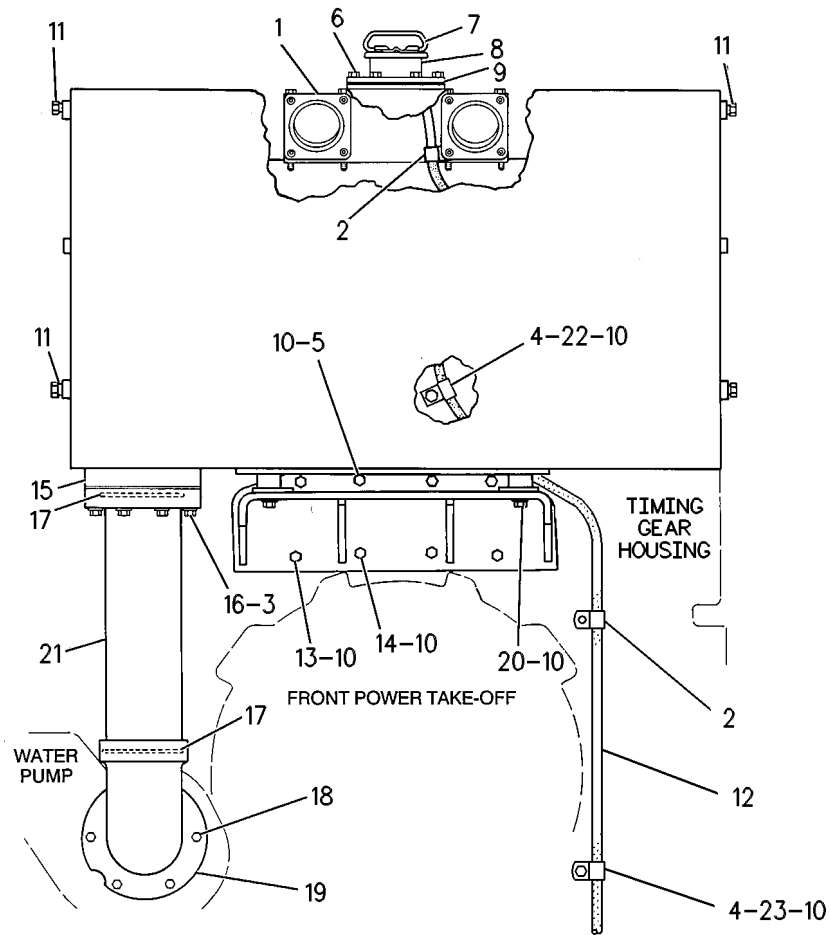
NOTE	REF NO	GRAPHIC REF	PART NUMBER	QTY	PART NAME						SEE PAGE
					1	2	3	4	5	6 (PRODUCT LEVEL)	
	1	1	8N-9609	2	FLANGE						
		1	2N-0931	2	GASKET						
	2	1	3S-8664	1	CLIP (LOOP)						
	3	1	5M-2894	8	WASHER-HARD (10.2X18.5X2.5-MM THK)						
C	4	1	5P-4295	2	CLIP						
	5	1	4M-2442	4	BOLT (1/2-13X12.32-IN)						
	6	1	0L-1351	6	BOLT (3/8-16X0.875-IN)						
	7	1	4N-3311	1	CAP-PRESSURE (7-PSI)						
	8	1	3N-1341	1	ADAPTER AS-NECK						
	9	1	3H-5939	1	GASKET-HEAT EXCHANGER						
C	10	1	5P-8245	14	WASHER-HARD (13.5X25.5X3-MM THK)						
C	11	1	5M-6213	4	PLUG-PIPE (1/4-18-THD)						
	12	1	8N-5213	1	HOSE						
	13	1	2A-1531	2	BOLT (1/2-13X6.5-IN)						
	14	1	0S-1585	2	BOLT (1/2-13X1.5-IN)						
	15	1	7N-5120	1	FLANGE						
		1	1S-5772	1	GASKET						
	16	1	0S-1590	8	BOLT (3/8-16X2-IN)						
	17	1	2S-8439	2	SEAL-O-RING						
	18	1	1A-2029	4	BOLT (3/8-16X1.125-IN)						
	19	1	8N-9422	1	ELBOW						
C	20	1	0S-1587	4	BOLT (1/2-13X1.75-IN)						
	21	1	7N-5123	1	TUBE						
C	22	1	0S-1595	1	BOLT (1/2-13X1.25-IN)						
C	23	1	0S-1621	1	BOLT (1/2-13X1-IN)						
	24	2	7N-4927	1	GASKET-HOUSING COVER						
	25	2	7N-5127	1	HOUSING AS						
C		2	4W-3108	1	VALVE AS						
	26	2	8N-9706	2	TUBE						
	27	2	5B-9603	10	BOLT (3/8-16X5-IN)						
	28	2	2N-0931	2	GASKET						
	29	2	8N-9609	2	FLANGE						
	30	2	6V-1454	4	SEAL-O-RING						
	31	2	9M-3786	1	SEAL-O-RING						
	32	2	5D-1026	1	CLAMP-BAND						
	33	2	1C-2251	16	BOLT (3/8-16X1.87-IN)						
	34	2	2W-6333	1	TANK AS						
	35	2	2W-7183	1	SUPPORT AS						
	36	2	0L-1351	9	BOLT (3/8-16X0.875-IN)						
	37	2	5M-2894	25	WASHER-HARD (10.2X18.5X2.5-MM THK)						
	38	2	5M-6213	1	PLUG-PIPE (1/4-18-THD)						

C - CHANGE FROM PREVIOUS TYPE

# COOLING SYSTEM

8N-7717 TANK GP-EXPANSION (contd.)

i00884902



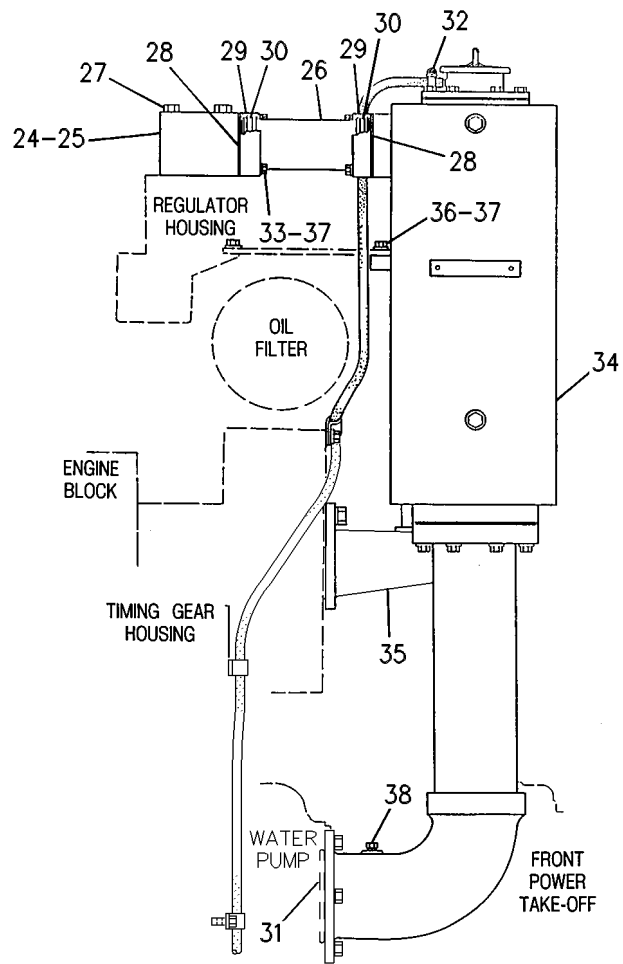
GRAPHIC #1

g00399352

# COOLING SYSTEM

8N-7717 TANK GP-EXPANSION (contd.)

i00884902



GRAPHIC #2

<END>

g00399353

# COOLING SYSTEM

## 8N-7717 TANK GP-EXPANSION

S/N: 50Y874-1304; 66Z379-578

FOR USE WITH 8N-8993-PAGE: 610, 8N-7643-PAGE: 647

SMCS - 1354

i07232141

NOTE	REF NO	GRAPHIC REF	PART NUMBER	QTY	PART NAME						SEE PAGE
					1	2	3	4	5	6 (PRODUCT LEVEL)	
	1	1	<b>1S-5772</b>	1	GASKET						
	2	1	<b>2N-0931</b>	4	GASKET						
	3	1	<b>3H-5939</b>	1	GASKET-HEAT EXCHANGER						
	4	1	<b>3N-1341</b>	1	ADAPTER AS-NECK						
J	5	1	<b>4N-3311</b>	1	CAP-PRESSURE (7-PSI) (EXPANSION TANK)						
					-OR-						
L		1	<b>127-8660</b>	1	CAP-PRESSURE (14-PSI) (EXPANSION TANK)						
	6	1	<b>5D-1026</b>	1	CLAMP-BAND						
	7	1	<b>7N-4927</b>	1	GASKET-HOUSING COVER						
	8	1	<b>7N-5120</b>	1	FLANGE						
	9	1	<b>7N-5123</b>	1	TUBE						
	10	1	<b>7N-5127</b>	1	HOUSING AS						
		1	<b>4W-3108</b>	1	VALVE AS						
	11	1	<b>8B-9725</b>	4	BOSS						
E	12	1	<b>5P-0721</b>		HOSE (193-CM)						
	13	1	<b>8N-9422</b>	1	ELBOW						
	14	1	<b>8N-9609</b>	4	FLANGE						
	15	1	<b>8N-9706</b>	2	TUBE						
C	16	1	<b>245-2876</b>	1	TANK AS-EXPANSION						
C	17	1	<b>0L-1351</b>	6	BOLT (3/8-16X0.875-IN)						
C	18	1	<b>0S-1585</b>	4	BOLT (1/2-13X1.5-IN)						
	19	1	<b>0S-1590</b>	8	BOLT (3/8-16X2-IN)						
	20	1	<b>0S-1595</b>	1	BOLT (1/2-13X1.25-IN)						
	21	1	<b>0S-1621</b>	1	BOLT (1/2-13X1-IN)						
	22	1	<b>1A-2029</b>	4	BOLT (3/8-16X1.125-IN)						
	23	1	<b>1C-2251</b>	16	BOLT (3/8-16X1.87-IN)						
	24	1	<b>2A-1531</b>	2	BOLT (1/2-13X6.5-IN)						
	25	1	<b>3S-8664</b>	2	CLIP (LOOP)						
	26	1	<b>4M-2442</b>	4	BOLT (1/2-13X12.32-IN)						
	27	1	<b>5B-9603</b>	10	BOLT (3/8-16X5-IN)						
C	28	1	<b>5M-2894</b>	24	WASHER-HARD (10.2X18.5X2.5-MM THK)						
	29	1	<b>6D-4636</b>	1	CLIP (LOOP)						
C	30	1	<b>5P-8245</b>	12	WASHER-HARD (13.5X25.5X3-MM THK)						
	31	1	<b>6V-1454</b>	4	SEAL-O-RING						
	32	1	<b>6V-6809</b>	1	SEAL-O-RING						
	33	1	<b>8T-2903</b>	2	SEAL-O-RING						
	34	1	<b>8T-6765</b>	5	PLUG-PIPE (1/4-18-THD)						
	35	1	<b>357-9544</b>	1	CLIP						
	36	1	<b>9X-6772</b>	1	STRAP-CABLE						
					AVAILABLE REPAIR KIT(S):						
JL			<b>225-4256</b>	1	FILM-WARNING (HOT FLUID UNDER PRESSURE, U.S.)						
J			<b>294-9052</b>	1	KIT-COOLING SYSTEM PARTS (7-PSI) (EXPANSION TANK)						
					(INCLUDES RADIATOR CAP & WARNING FILM)						
L			<b>295-5458</b>	1	KIT-COOLING SYSTEM PARTS (14-PSI) (EXPANSION TANK)						
					(INCLUDES RADIATOR CAP & WARNING FILM)						



# COOLING SYSTEM

8N-7717 TANK GP-EXPANSION (contd.)

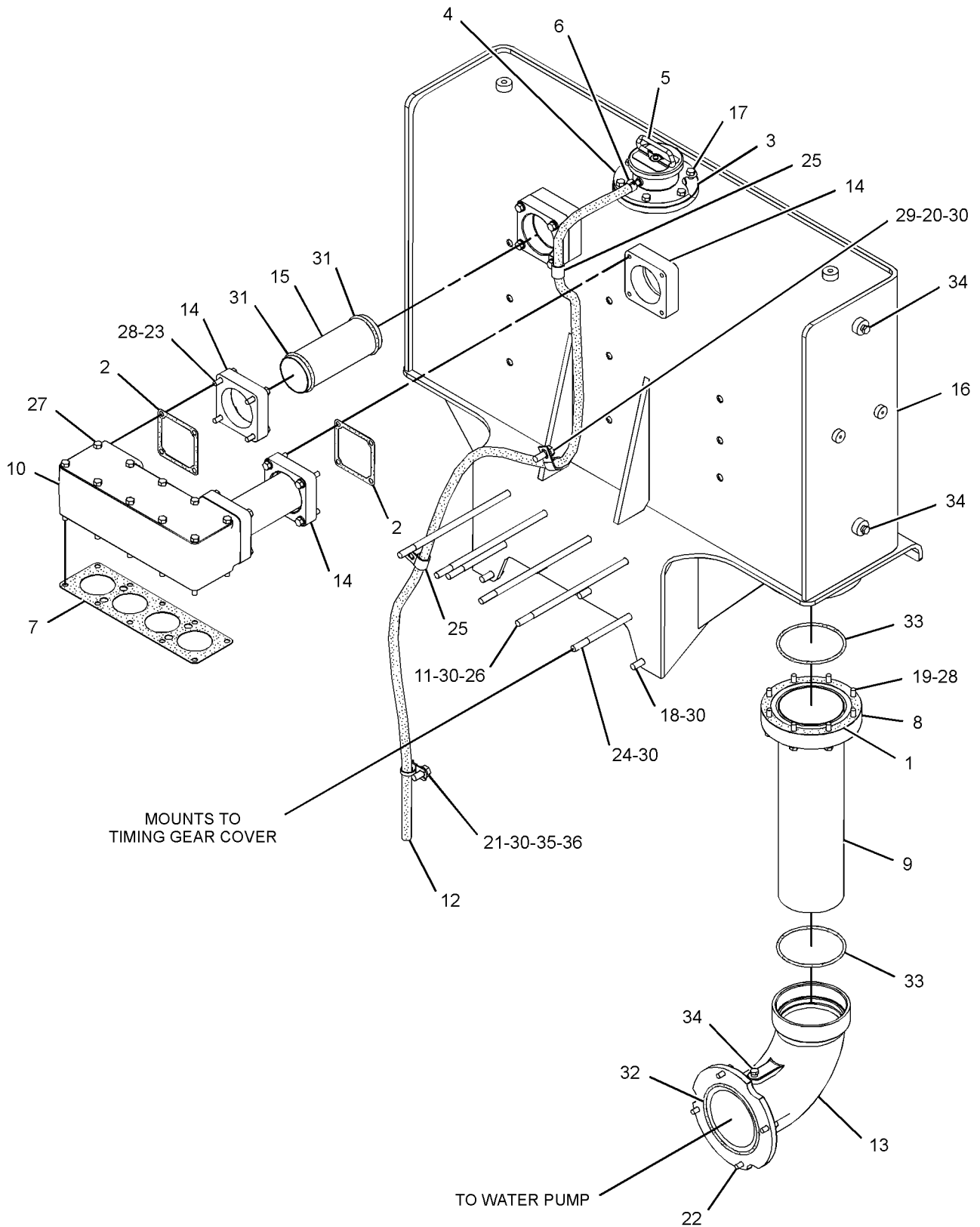
107232141

NOTE	REF	GRAPHIC	PART NUMBER	QTY	PART NAME						SEE PAGE
	NO	REF			1	2	3	4	5	6 (PRODUCT LEVEL)	
C - CHANGE FROM PREVIOUS TYPE											
E - ORDER BY THE CENTIMETER											
J - KIT MARKED J SERVICES PART(S) MARKED J											
L - KIT MARKED L SERVICES PART(S) MARKED L											

# COOLING SYSTEM

8N-7717 TANK GP-EXPANSION (contd.)

i07232141



GRAPHIC #1

<END>

g02265455

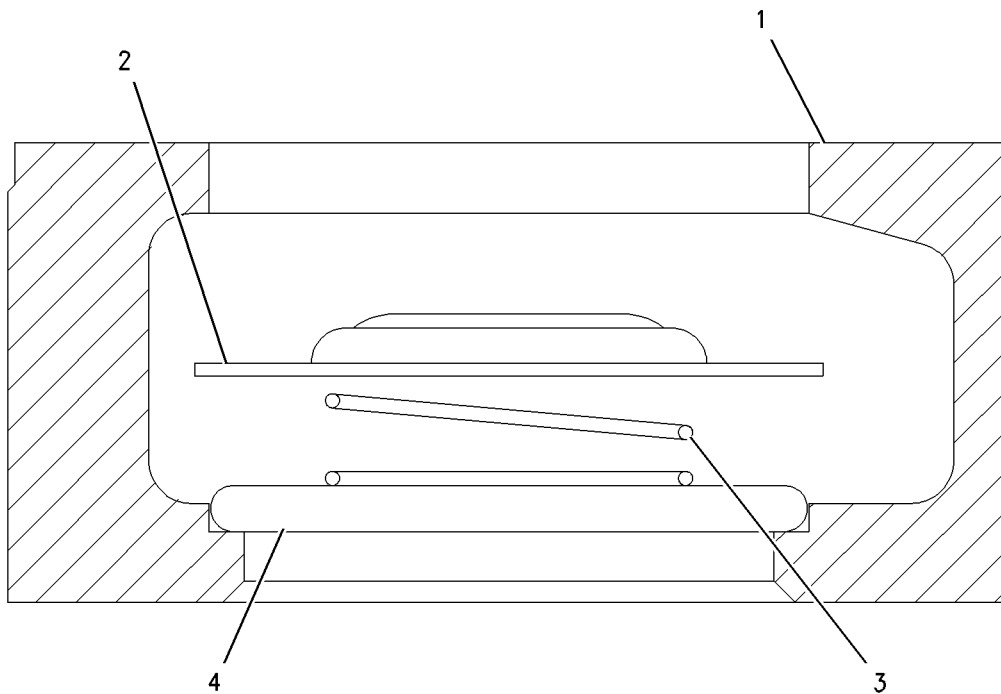
# COOLING SYSTEM

## 148-8005 VALVE GP-CHECK-AUXILIARY WATER PUMP PART OF 144-6080, 248-2858 PUMP GP-AUXILIARY SEA WATER AN ATTACHMENT

SMCS-5067

i01186433

NOTE	REF NO	GRAPHIC REF	PART NUMBER	QTY	PART NAME						SEE PAGE
					1	2	3	4	5	6 (PRODUCT LEVEL)	
	1	1	<b>148-8001</b>	1	BODY-VALVE						
	2	1	<b>148-8002</b>	1	RETAINER						
	3	1	<b>148-8003</b>	1	SPRING						
	4	1	<b>148-8004</b>	1	DISC-FLAP						



GRAPHIC #1

<END>

g00635304

# COOLING SYSTEM

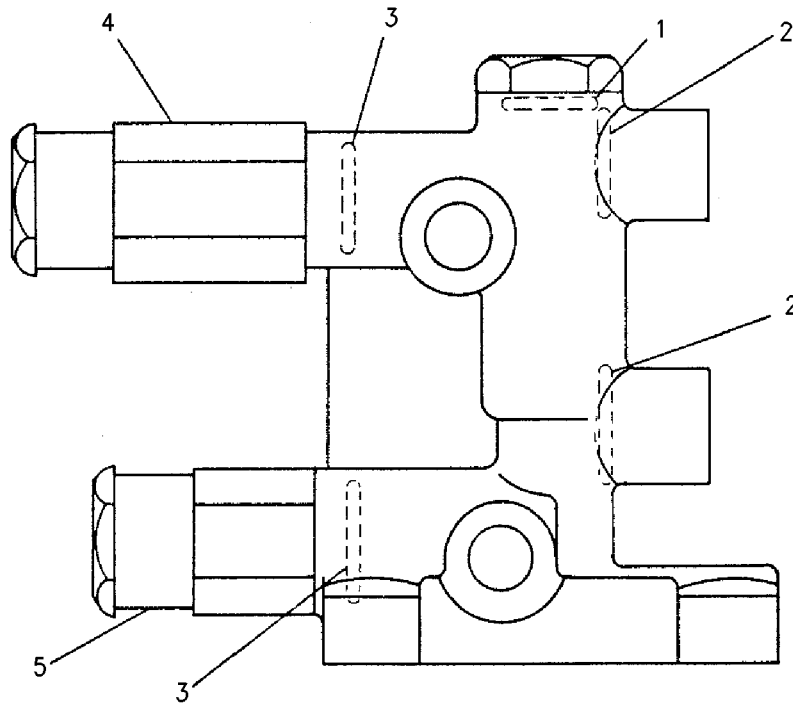
## 4W-1703 VALVE GP-DIVERTER

FOR USE WITH HYDRAMECHANICAL SHUT-OFF  
FOR USAGE REFER TO CHART 5N-8200 CHART-REMOTE SHUTOFF  
AN ATTACHMENT

SMCS-135D

i03502398

NOTE	REF NO	GRAPHIC REF	PART NUMBER	QTY	PART NAME						SEE PAGE
					1	2	3	4	5	6 (PRODUCT LEVEL)	
J	1	1	<b>7L-9061</b>	1	SEAL-O-RING						
J	2	1	<b>8L-2746</b>	2	SEAL-O-RING						
	3	1	<b>5P-9757</b>	2	SEAL-O-RING						
	4	1	<b>7W-0620</b>	1	OPERATOR AS						
	5	1	<b>7W-0612</b>	1	OPERATOR AS						
					AVAILABLE REPAIR KIT(S):						
J			<b>4W-1989</b>		KIT-VALVE (DIVERTER)						
					(ALSO INCLUDES CHECK VALVE & DISC ASSEMBLY)						
J - KIT MARKED J SERVICES PART(S) MARKED J											



GRAPHIC #1

<END>

g00720251

# COOLING SYSTEM

## 4W-1704 VALVE GP-DIVERTER

PART OF 4W-7205, 4W-7211 CONTROL GP-AIR STARTING  
AN ATTACHMENT

SMCS - 135D

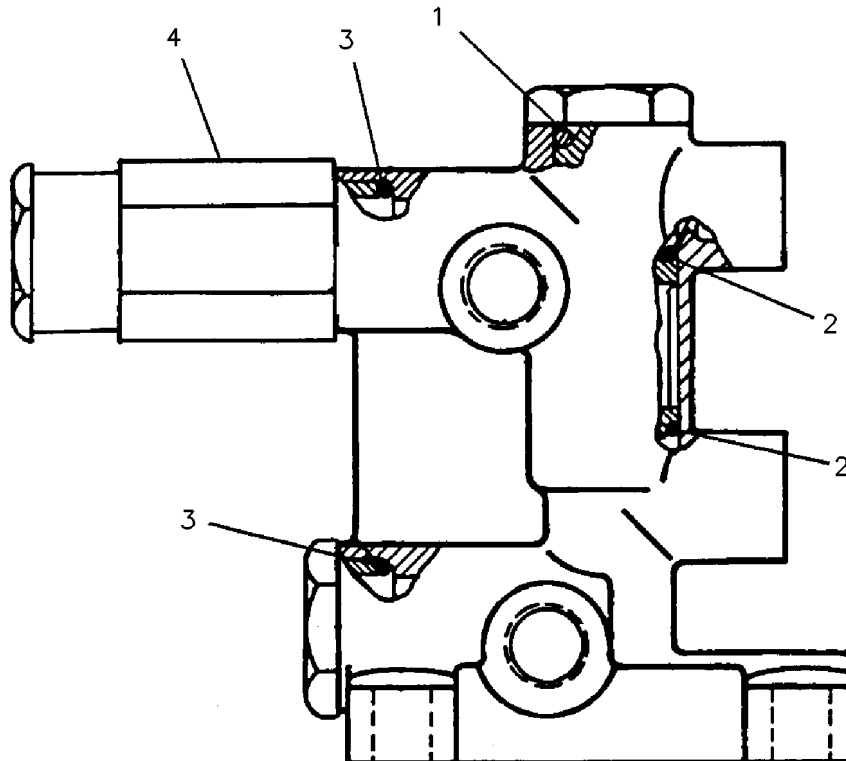
i03502395

NOTE	REF NO	GRAPHIC REF	PART NUMBER	QTY	PART NAME						SEE PAGE
					1	2	3	4	5	6 (PRODUCT LEVEL)	
J	1	1	<b>7L-9061</b>	1	SEAL-O-RING						
J	2	1	<b>8L-2746</b>	2	SEAL-O-RING						
	3	1	<b>5P-9757</b>	2	SEAL-O-RING						
	4	1	<b>7W-0620</b>	1	OPERATOR AS						

AVAILABLE REPAIR KIT(S):

J	<b>4W-1989</b>	1	KIT-VALVE (DIVERTER)						
(INCLUDES SEALS, CHECK VALVE, & DISC ASSEMBLY)									

J - KIT MARKED J SERVICES PART(S) MARKED J



GRAPHIC #1

<END>

g00218619

# COOLING SYSTEM

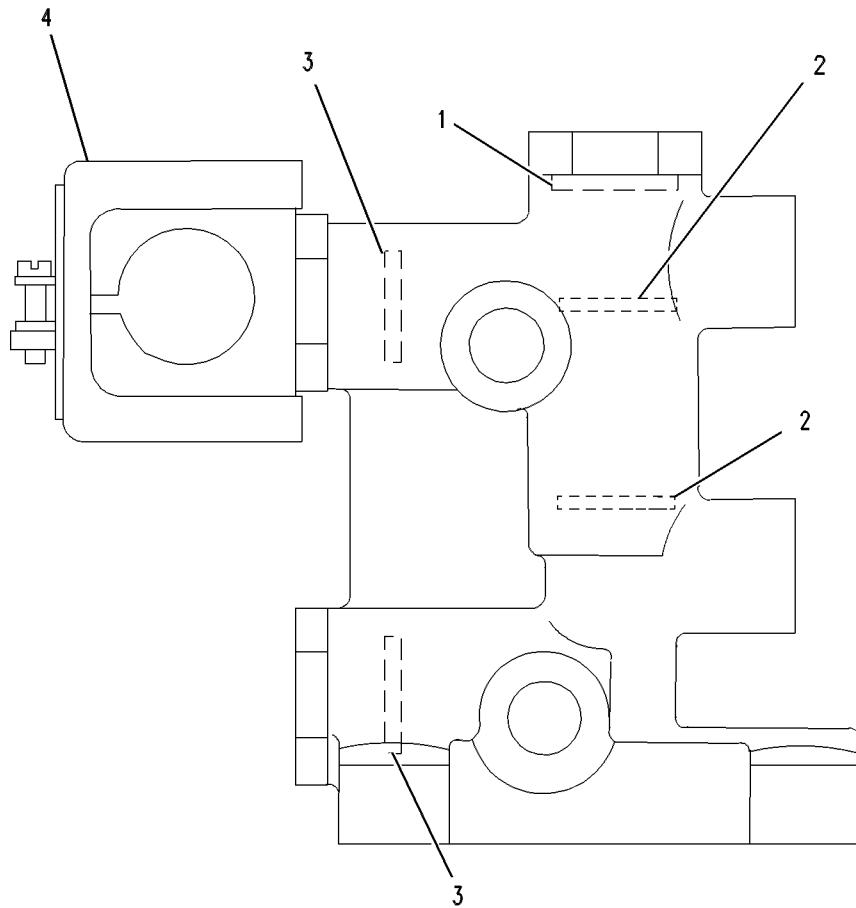
## 4W-1706 VALVE GP-DIVERTER PART OF 5N-8165 CONTROL GP-AIR STARTING AN ATTACHMENT

SMCS-135D

i00931456

NOTE	REF NO	GRAPHIC REF	PART NUMBER	QTY	PART NAME						SEE PAGE	
					1	2	3	4	5	6 (PRODUCT LEVEL)		
J	1	1	<b>7L-9061</b>	1	SEAL-O-RING							
J	2	1	<b>8L-2746</b>	2	SEAL-O-RING							
	3	1	<b>5P-9757</b>	2	SEAL-O-RING							
	4	1	<b>7W-0619</b>	1	OPERATOR AS							
					AVAILABLE REPAIR KIT(S):							
					<b>4W-1989</b>	1	KIT-VALVE					
					(INCLUDES DISC AS., VALVE & PARTS MARKED J)							

J



GRAPHIC #1

<END>

g00476652

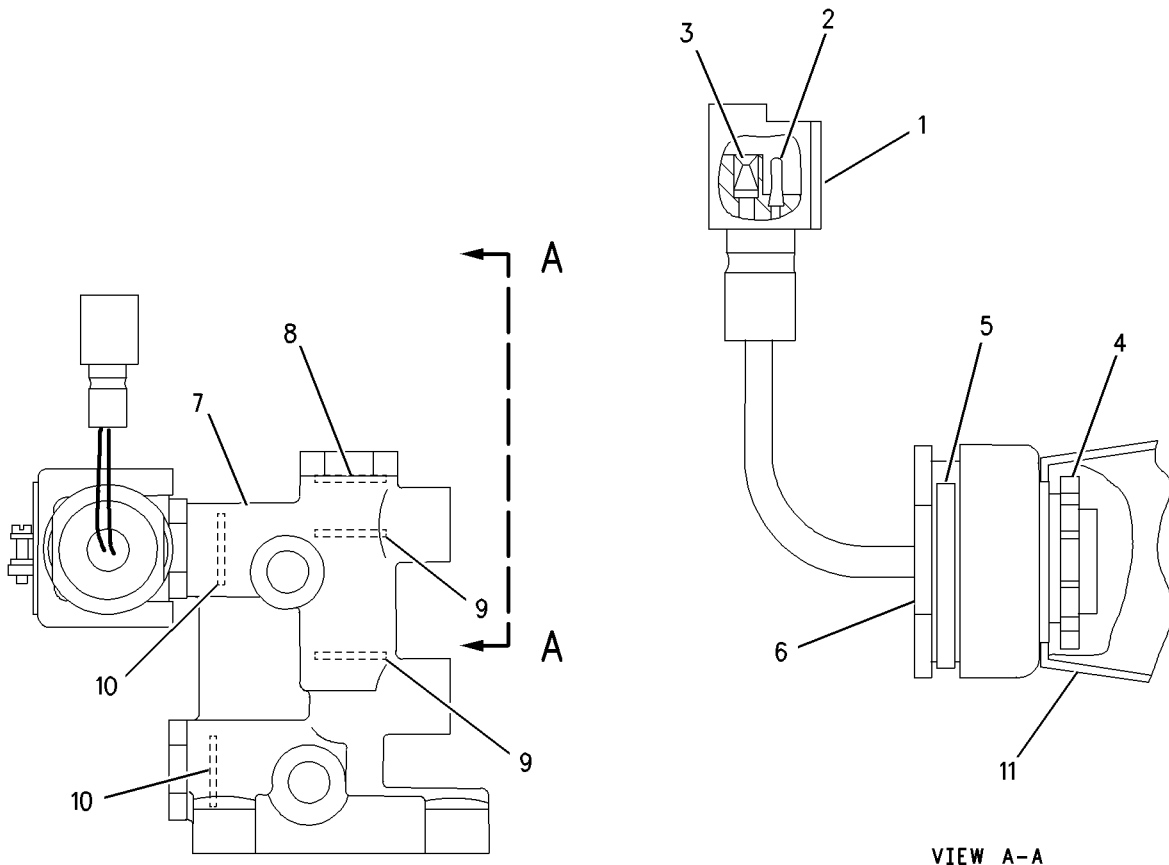
# COOLING SYSTEM

## 4W-1775 VALVE GP-DIVERTER PART OF 2W-4927 LINES GP-DIVERTER VALVE AN ATTACHMENT

SMCS-135D

i02775643

NOTE	REF NO	GRAPHIC REF	PART NUMBER	QTY	PART NAME						SEE PAGE
					1	2	3	4	5	6	
	1	1	<b>7N-9738</b>	1	HOUSING-RECEPTACLE (14-GA TO 18-GA)						
	2	1	<b>7N-7780</b>	1	PIN-CONNECTOR (14-GA TO 18-GA)						
	3	1	<b>7N-7779</b>	1	SOCKET-CONNECTOR (14-GA TO 18-GA)						
	4	1	<b>3F-2065</b>	1	LOCKNUT (1/2-14-THD)						
	5	1	<b>5N-9073</b>	1	CLIP						
	6	1	<b>5N-8943</b>	1	ADAPTER						
	7	1	<b>4W-1705</b>	1	VALVE GP-DIVERTER						
CJ	8	1	<b>7L-9061</b>	1	SEAL-O-RING						
CJ	9	1	<b>8L-2746</b>	2	SEAL-O-RING						
C	10	1	<b>5P-9757</b>	2	SEAL-O-RING						
C	11	1	<b>7W-0618</b>	1	OPERATOR AS						
					AVAILABLE REPAIR KIT(S):						
J			<b>4W-1989</b>	1	KIT-VALVE						
					(INCLUDES SEALS, CHECK VALVE & DISC ASSEMBLY)						
C - CHANGE FROM PREVIOUS TYPE											
J - KIT MARKED J INCLUDES PART(S) MARKED J											



GRAPHIC #1

<END>

g00798606

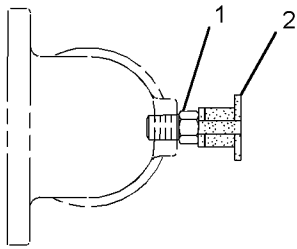
# COOLING SYSTEM

## 147-3738 VALVE GP-FLUID SAMPLING-OIL AN ATTACHMENT

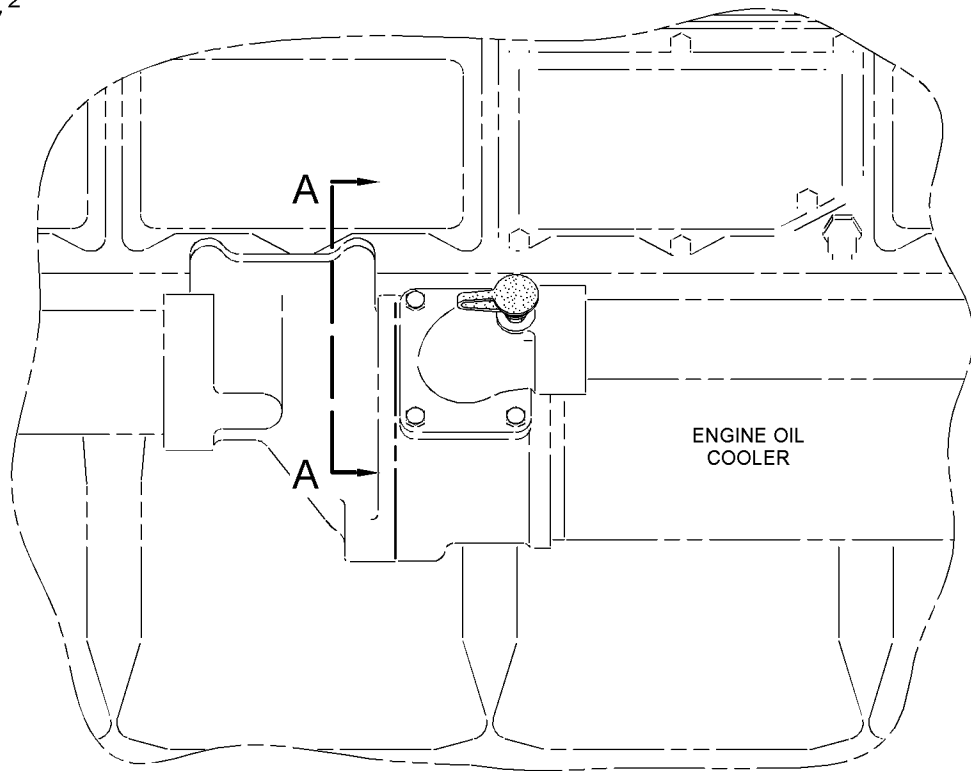
SMCS-7542

i07080309

NOTE	REF NO	GRAPHIC REF	PART NUMBER	QTY	PART NAME						SEE PAGE
					1	2	3	4	5	6 (PRODUCT LEVEL)	
	1	1	<b>7X-3387</b>	1	VALVE AS-FLUID SAMPLING (OIL COOLER)						
	2	1	<b>8C-3445</b>	1	CAP-DUST						



VIEW A-A



RIGHT SIDE VIEW OF ENGINE

GRAPHIC #1

<END>

g01284511



# PART NUMBER INDEX

Part	Page	Part	Page	Part	Page	Part	Page
<b>0</b>							
			868		1171		1479
			1409		1199		1809
OL-0639 . . . . .	50		1410		1235	OL-2072 . . . . .	2011
OL-0701 . . . . .	575	OL-1340 . . . . .	1716		1237	OR-1620 . . . . .	1474
	578		1754		1239	OR-1621 . . . . .	1474
	586		1755		1364	OR-2921 . . . . .	364
	588	OL-1351 . . . . .	48		1422	OR-3051 . . . . .	362
	590		103		1423	OR-8494 . . . . .	1476
	593		194		1425	OR-8495 . . . . .	1476
OL-1143 . . . . .	190		198		1474	OR-8496 . . . . .	1476
	192		200		1479	OR-8497 . . . . .	1476
	300		242		1508	OS-0484 . . . . .	573
	307		245		1509	OS-0509 . . . . .	44
	345		249		1559		46
	347		253		2005		47
	455		256		2007		48
	457		266		2009		49
	460		268		2012		278
	463		270		2013		300
	467		272		2015		307
	470		300		2016		323
	473		348		2081		552
	476		350		2083		554
	477		352	OL-1352 . . . . .	26		607
	496		356		28		846
	500		358		91		856
	503		360		92		860
	510		393		94		865
	523		397		96		868
	526		398		98		883
	528		455		394		885
	530		457		395		979
	532		460		396		982
	607		463		496		1174
	656		468		501		1297
	662		471		510		1298
	664		473		515		1472
	666		476		605		1476
	668		513		1526		1477
	670		515	OL-2070 . . . . .	165		1522
	680		518		169		1836
	682		520		300		1839
	684		523		307		1899
	697		526		350		1919
	803		534		352		1921
	805		536		428		1933
	807		690		430		1935
	856		693		510		1952
	865		706		684		2066
	868		728		690	OS-1566 . . . . .	717
	1368		730		693		724
	1371		732		697		1630
	1425		778		876		1633
	1473		784		877		1642
	1474		787		979		1645
	1477		790		986		1648
	1516		809		988		1649
	1518		813		1174		1650
	1962		852		1178	OS-1571 . . . . .	1651
	1966		854		1179		190
OL-1325 . . . . .	552		856		1182		192
	554		862		1185		327
	556		868		1188		329
	558		961		1191		331
	571		964		1194		333
OL-1329 . . . . .	102		994		1235		356
	288		996		1237		393
	289		998		1239		397
	300		1000		1380		398
	852		1004		1382		399
	854		1021		1423		400
	856		1023		1474		448
	862		1025		1477		449
	865		1169				457

# PART NUMBER INDEX

Part	Page	Part	Page	Part	Page	Part	Page
	460		339		688		394
	463		340		690		409
	467		341		697		415
	470		342		706		430
	477		348		708		432
	496		354		726		434
	500		381		746		436
	528		382		748		438
	530		383		758		447
	532		384		760		496
	605		386		832		500
	607		387		891		503
	629		388		893		506
	652		389		895		510
	654		573		1002		521
	706		576		1004		539
	708		578		1005		541
	710		584		1007		545
	717		591		1010		547
	724		664		1012		574
	728		678		1014		605
	730		680		1016		609
	732		787		1018		610
	746		873		1021		611
	756	OS-1588 . . . . .	30		1023		612
	758		34		1025		690
	760		38		1169		712
	809		86		1171		724
	832		88		1361		752
	836		104		1363		754
	841		190		1364		769
	842		192		1368		784
	865		300		1423		787
	868		307		1473		790
	1208		345		1476		840
	1520		347		1479		846
	1522		348		1516		858
	1530		350		1518		860
	1532		352		1526		873
	1537		354		1534		979
	1557		356		1539		1174
	1835		358		1553		1175
	2001		360		1806		1178
OS-1573 . . . . .	300		452		1836		1182
	860		453		1840		1185
	1472		455		1862		1188
OS-1585 . . . . .	129		457		1863		1191
	132		460		1901		1195
	307		463		1956		1472
	358		468		2145		1479
	360		471	OS-1589 . . . . .	56		1524
	528		473		58		1806
	539		476		60		1835
	541		482		62		1840
	545		496		64		1975
	547		500		66		1976
	591		503		68	OS-1591 . . . . .	31
	688		506		70		34
	706		510		1862		52
	708		534		1863		96
	784		536	OS-1590 . . . . .	30		98
	787		561		34		190
	790		563		38		192
OS-1587 . . . . .	52		564		190		282
	281		565		192		447
	291		566		249		448
	292		568		256		449
	293		569		264		496
	294		605		300		500
	307		646		307		513
	335		647		356		515
	336		648		358		534
	337		649		360		536
	338		650		391		605

# PART NUMBER INDEX

Part	Page	Part	Page	Part	Page	Part	Page
	690		658		660		996
	762		672		662		998
	764		674		672		1005
	766		676		674		1018
	831	OS-1594 . . . . .	30		676		1169
	834		31		686		1171
	835		34		688		1174
	858		35		690		1178
	876		38		693		1183
	877		52		697		1186
	901		86		703		1189
	902		88		705		1192
	903		90		706		1194
	904		91		708		1297
	990		92		710		1298
	992		94		712		1376
	1004		96		728		1378
	1018		98		730		1380
	1374		198		732		1382
	1376		202		746		1412
	1378		206		748		1423
	1382		208		750		1425
	1385		212		756		1472
	1387		220		758		1477
	1389		222		760		1478
	1391		226		762		1479
	1396		228		764		1524
	1400		238		766		1526
	1402		240		768		1528
	1472		242		846		1530
	1479		245		850		1532
	1559		249		860		1534
	1594		253		865		1537
	1595		256		891		1539
	1797		260		893		1541
	1798		262		895		1543
	1799		264		902		1545
	1800		279		903		1547
	1836		280		905		1549
	1839		300		906		1551
	1909		307		913		1553
	1911		344		915		1555
	1917		350		918		1557
	1918		352		919		1595
	1931		356		920		1835
	1940		358		926		1839
	1946		360		927		1848
	1958		457		930		1899
	1960		463		935		1901
	1962		467		936		1905
	1964		470		937		1907
	1966		473		938		1909
	1975		476		939		1911
	1977		479		940		1913
	1978		480		941		1915
	2011		481		942		1918
	2145		496		943		1919
OS-1592 . . . . .	1		500		944		1921
	83		503		945		1933
	196		506		946		1935
	202		510		947		1952
	204		513		948		1956
	206		515		949		1970
	208		530		950		1973
	210		532		951		1977
	212		534		952		1978
	214		536		953		2005
	216		604		954		2007
	218		605		955		2009
	220		607		961		2013
	222		609		964		2016
	224		610		986	OS-1595 . . . . .	30
	226		656		988		35
	228		658		994		38

# PART NUMBER INDEX

Part	Page	Part	Page	Part	Page	Part	Page
	86		1188		1489		1502
	88	OS-1615 . . . . .	26		1499		1504
	90		28		1502		1516
	127		190		1504		1518
	135		192		1625		1806
	137		300	OS-1619 . . . . .	26		2005
	194		428		28		2007
	200		430		300		2009
	245		734		455		2013
	249		736		460		2016
	256		738		463	OT-0065 . . . . .	202
	268		742		467		206
	284		780		468		212
	285		781		470		220
	286		897		473		238
	287		899		476		243
	288		990		574		254
	289		992		688		260
	290		1474		852		300
	307		1617		854		345
	576		1618		862		347
	578		1619		1479		350
	580		1899		1526		352
	582		1901		1528		496
	584		1903	OS-1621 . . . . .	279		500
	588		1905		280		503
	658		1909		282		506
	672		1911		395		511
	674		1913		396		688
	676		1915		407		690
	688		1924		411		693
	706		1929		413		706
	708		1935		784		708
	784		1938		787		901
	787		1943		790		904
	790		1956		986		1174
	876		1958		1423		1175
	988		1962		1534		1178
	1376		1964		1539		1179
	1378	OS-1616 . . . . .	818		1553		1182
	1380		824	OS-1897 . . . . .	1853		1183
	1862		858		1854		1185
	1863		1163		1855		1186
OS-1597 . . . . .	1655		1302	OS-2307 . . . . .	521		1189
	1662		1303	OT-0055 . . . . .	196		1191
	1665		1506		204		1194
	1667		1901		208		1477
	1670		1918		210		1479
	1736		1933		214		1594
	1741		1935		222	OT-0102 . . . . .	129
OS-1608 . . . . .	300		1956		224		132
	534	OS-1617 . . . . .	513		228		135
	536		515		231		137
	850		534		240		279
	860		536		245		280
	1016		561		249		366
	1021		563		256		368
	1472		564		262		1520
	1537		565		264	OT-0320 . . . . .	381
	1539		566		300		382
	1541		568		307		383
	1543		569		656		384
	1545		805		660		386
	1547	OS-1618 . . . . .	300		662		387
	1549		651		693		388
	1551		686		1174		389
	1553		712		1368		621
	1555		726		1380		624
	2012		770		1382		627
	2015		772		1422		1832
OS-1614 . . . . .	449		774		1473	OT-0573 . . . . .	300
	976		979		1477		455
	1182		982		1489		457
	1185		1478		1499		471

# PART NUMBER INDEX

Part	Page	Part	Page	Part	Page	Part	Page
	473		135		1595		1297
	494		137		1630	1B-0676 . . . . .	2017
	495		172		1633		2021
	523		173		2001		2025
	852		174		2003		2029
	854		175		2013		2033
	862		176		2016		2038
	1368		177	1A-5183 . . . . .	307		2041
	1423		178		646		2044
	1425		179		647		2047
	1473		180		648		2050
	1476		300		649	1B-2713 . . . . .	740
	1516		307		650		858
	1518		348		697		1376
	1520		354		1423		1378
	1522		358	1A-5822 . . . . .	268		1806
	1806		360		270		1899
	1924		453		300		1901
	1929		517		307		1919
	1938		518		513		1921
	1958		521		515		1933
	1964		523		534		1935
	2005		574		536		1952
	2007		611		690		1956
	2009		612		693	1B-2714 . . . . .	1380
	2013		643		873		1382
	2016		645		1479	1B-2790 . . . . .	129
OT-0768 . . . . .	621		652	1A-5964 . . . . .	30		132
	624		654		34		135
	627		664		38		137
	728		666		300		366
OT-0924 . . . . .	473		668		434		368
OV-0375 . . . . .	666		670		506		1007
	682		678		656		1010
	778		680		660		1012
			682		662		1016
			688		664		1019
			690		666	1B-2886 . . . . .	1423
			693		668		1491
			712		1477		1493
			756		2001		1495
1A-0168 . . . . .	327		778	1A-7669 . . . . .	986		1497
	329		784		988		1499
	331		787	1A-8063 . . . . .	629		1502
	333		790	1A-8537 . . . . .	64		1504
1A-0458 . . . . .	423		805		66	1B-4201 . . . . .	1048
1A-1135 . . . . .	327		809		68		1057
	329		813		70		1079
	331		852		658		1087
1A-1460 . . . . .	300		854		672		1097
	329		856		674		1105
	331		860		676		1113
	333		862	1A-8651 . . . . .	56		1122
	453		865		58		1130
	688		868		60		1144
	860		901		62		1152
	1472		903	1A-8912 . . . . .	1123	1B-4209 . . . . .	420
	1972		904		1145		1853
1A-1935 . . . . .	1850		990		1153		1854
1A-2029 . . . . .	26		992		1617		1855
	28		994		1618	1B-4218 . . . . .	291
	44		996	1A-9066 . . . . .	652		300
	46		998		803		961
	47		1000		805		964
	49		1208		467		1476
	82		1368	1A-9252 . . . . .	470	1B-4330 . . . . .	979
	86		1370		106		1559
	88		1423	1A-9579 . . . . .	106		1617
	90		1425		109		1905
	100		1473		110		1913
	101		1479		307		1913
	102		1506		440	1B-4367 . . . . .	266
	127		1560		444		272
	129		1594		446	1B-5174 . . . . .	126
	132				450		129

1

# PART NUMBER INDEX

Part	Page	Part	Page	Part	Page	Part	Page
	132		1370	1D-4638 . . . . .	1850	1F-4111 . . . . .	1191
	139	1D-4541 . . . . .	1174	1D-4643 . . . . .	1850	1F-4622 . . . . .	190
	141		1178	1D-4706 . . . . .	876		192
	143		1194		877		990
	144	1D-4566 . . . . .	286	1D-4716 . . . . .	710		992
	145		290		734	1F-6660 . . . . .	189
	147		421		740	1F-7958 . . . . .	277
	515		424		742		281
	517		828		744		300
	521		1607		979		309
	576		1608		982		333
	580		1642		1625		453
	582		1645	1D-4717 . . . . .	279		528
	584		1648		658		578
	591		1649		672		690
	652		1650		674		693
	912		1651		676		778
	916	1D-4569 . . . . .	674		710		833
	917		676		728		839
	929		828		756		1479
	931		1608		776	1H-1023 . . . . .	1659
	932	1D-4572 . . . . .	204		856		1661
	933		208		877		1664
	934		210		979		1667
1B-5357 . . . . .	837		214		1004		1670
	838		228		1183		1675
1B-7182 . . . . .	300		240		1186		1680
	686		246		1188		1685
	710		257		1189		1690
	712		262		1192		1695
	812	1D-4574 . . . . .	285		1199		1700
	1002		288		1208		1704
	1014		289		1235		1707
	1234		455		1387		1713
	1478		457		1389		1721
1B-8706 . . . . .	468		460		1396		1723
	470		463		1400		1726
	473		467		1412		1729
1B-9575 . . . . .	300		470		1414		1732
	560		473		1423		1735
	744		476		1491		1738
	1368	1D-4586 . . . . .	333		1559		1741
	1371	1D-4588 . . . . .	986		1797		1761
	1473		988		1799	1H-1200 . . . . .	617
1C-2251 . . . . .	102	1D-4590 . . . . .	283		1924		621
	300		284		1929		624
	690		286		1938		627
	693		287		1958		632
	784		290		1964		636
	787	1D-4593 . . . . .	285	1D-4718 . . . . .	728		641
	790		288		734	1H-1342 . . . . .	▶ 1327
	1479		289		736	1H-2629 . . . . .	1658
1D-4327 . . . . .	397		291		738		1662
	399		292		742		1665
1D-4533 . . . . .	307		293	1D-4719 . . . . .	327		1667
1D-4538 . . . . .	710		294		329		1670
1D-4539 . . . . .	972	1D-4597 . . . . .	285		331		1674
	973		288		576		1679
	1174		289		584		1684
	1178		294		591		1689
	1183	1D-4602 . . . . .	285		658		1694
	1186		288		672		1699
	1189		289		674		1703
	1191	1D-4609 . . . . .	270		676		1706
	1194		272	1D-4720 . . . . .	327		1712
	1206	1D-4627 . . . . .	422		329		1720
	1207	1D-4628 . . . . .	56	1D-5119 . . . . .	422		1724
1D-4540 . . . . .	31		58	1D-6306 . . . . .	344		1727
	35		60	1F-0750 . . . . .	38		1730
	307		62		1506		1733
	734		64		2001		1736
	740		66		2145		1739
	742		68	1F-1609 . . . . .	778		1741
	744		70	1F-2622 . . . . .	1416		1761

# PART NUMBER INDEX

Part	Page	Part	Page	Part	Page	Part	Page
1H-3244 . . . . .	1307		593		1329		1014
	1309		1526		1331		1016
	1311		1528		1333		1018
	1313	1L-1722 . . . . .	656		1335		1021
	1316	1L-2072 . . . . .	1832		1337		1023
	1319	1L-2073 . . . . .	958		1338		1025
	1412		▶1832		1339	1N-2896 . . . . .	1023
1H-3338 . . . . .	1346	1L-2782 . . . . .	1499		1341	1N-2897 . . . . .	476
	1871		1502	1M-6120 . . . . .	1327	1N-2898 . . . . .	647
1H-3340 . . . . .	1431		1504		1329		648
	1435	1L-3769 . . . . .	1027		1331	1N-2902 . . . . .	30
1H-4142 . . . . .	1252	1L-4031 . . . . .	310		1333		34
	1254		1371		1335		38
1H-4393 . . . . .	1893		1530		1337	1N-2903 . . . . .	31
1H-4560 . . . . .	1322		1532		1338	1N-2914 . . . . .	86
	1425		1537		1339		88
	1617		1541		1341		90
	1618		1543	1M-7913 . . . . .	803	1N-2929 . . . . .	31
	1619		1545		805		34
1H-4950 . . . . .	2118		1547		807		38
1H-5959 . . . . .	561		1549	1M-9968 . . . . .	1659	1N-2972 . . . . .	964
	563		1551		1662	1N-3087 . . . . .	924
	564		1555		1665		925
	565	1L-4863 . . . . .	50		1668	1N-3114 . . . . .	352
	566	1L-5008 . . . . .	1815		1671	1N-3125 . . . . .	992
	568	1L-5010 . . . . .	▶1815		1675	1N-3126 . . . . .	990
	569	1L-5081 . . . . .	2081		1680		992
1H-6936 . . . . .	1559		2083		1685	1N-3147 . . . . .	350
	1560	1L-5316 . . . . .	651		1690		352
	2001		770		1695	1N-3148 . . . . .	350
1H-7666 . . . . .	605		1269		1700		352
1H-8171 . . . . .	1830	1L-5620 . . . . .	556		1704	1N-3150 . . . . .	348
	1831	1L-5686 . . . . .	1329		1707		350
1H-8278 . . . . .	773		1331		1713		352
	776		1333		1721		354
1H-8720 . . . . .	515		1350		1724	1N-3183 . . . . .	481
1H-9456 . . . . .	580	1L-6561 . . . . .	1350		1727	1N-3192 . . . . .	574
1H-9569 . . . . .	1832		1353		1730	1N-3193 . . . . .	574
1H-9570 . . . . .	1832		2066		1733	1N-3225 . . . . .	574
1H-9572 . . . . .	1832		2068		1736	1N-3226 . . . . .	574
1H-9573 . . . . .	1832		2081		1739	1N-3228 . . . . .	1855
1H-9574 . . . . .	1832	1L-6931 . . . . .	52		1742	1N-3229 . . . . .	1855
1H-9575 . . . . .	1832	1L-8181 . . . . .	521	1M-9971 . . . . .	1659	1N-3247 . . . . .	1142
1H-9578 . . . . .	1832		1530		1662		▶1198
1H-9580 . . . . .	1832		1557		1665	1N-3259 . . . . .	924
1H-9581 . . . . .	1832	1L-8497 . . . . .	1627		1667		925
1H-9696 . . . . .	315		1635		1670		929
	1247		1638		1675		931
	1248		1640		1680		934
	1249		1643		1685	1N-3260 . . . . .	924
	2134		1646		1690		925
	2138	1L-9048 . . . . .	1832		1695		929
1H-9726 . . . . .	891	1L-9049 . . . . .	1832		1700		931
	893	1L-9079 . . . . .	1832		1704		934
	895	1L-9080 . . . . .	1832		1707	1N-3268 . . . . .	803
1J-3661 . . . . .	658	1M-0644 . . . . .	455		1713	1N-3269 . . . . .	803
	672		458		1721	1N-3279 . . . . .	924
	674		460		1724		925
	676		463		1727	1N-3333 . . . . .	496
1J-6472 . . . . .	744		468		1730		500
1J-9671 . . . . .	310		471		1733		503
	802		473		1736		506
1K-6872 . . . . .	358		476		1739		510
	360		2081		1741	1N-3365 . . . . .	814
1K-6937 . . . . .	521		2083		1762		820
	523	1M-3381 . . . . .	534	1N-2895 . . . . .	457		826
	575		536		460	1N-3383 . . . . .	820
	576		556		467	1N-3409 . . . . .	986
	578		558		477		988
	580		560		1002	1N-3411 . . . . .	814
	584		571		1004		820
	586	1M-4983 . . . . .	1331		1007		826
	590		1333		1010	1N-3415 . . . . .	186
	591	1M-6119 . . . . .	1327		1012	1N-3416 . . . . .	1621

# PART NUMBER INDEX

Part	Page	Part	Page	Part	Page	Part	Page
	1623		547		322		530
	1625	1N-4639 . . . . .	1182		1002		532
1N-3482 . . . . .	171		1185		1012		844
	181		1188		1014		2132
	182		1191		1016		2133
	183	1N-4640 . . . . .	1188		1018	1S-7107 . . . . .	26
	184		1235	1S-1770 . . . . .	818		28
	185		1237		824	1S-7251 . . . . .	1806
1N-3500 . . . . .	▶174		1239	1S-2244 . . . . .	1448	1S-7252 . . . . .	1806
	181	1N-4666 . . . . .	348		1449	1S-7446 . . . . .	1658
	337		354		1454		1661
	383	1N-4673 . . . . .	964		1455		1664
1N-3505 . . . . .	814	1N-4674 . . . . .	961	1S-2294 . . . . .	1448		1667
	820		964		1454		1670
	826	1N-4679 . . . . .	961		1455		1674
1N-3557 . . . . .	814	1N-4734 . . . . .	1021	1S-2303 . . . . .	1524		1684
	820		1182		1526		1723
	826		1185		1528		1726
1N-3562 . . . . .	820		1188		1530		1729
1N-3593 . . . . .	814		1192		1532		1732
	820	1N-4775 . . . . .	482		1534		1735
	826	1N-4858 . . . . .	706		1537		1738
1N-3712 . . . . .	814	1N-4859 . . . . .	605		1539		1741
	820		607		1541	1S-9593 . . . . .	1408
	826		706		1543		1438
1N-3755 . . . . .	1975	1N-4860 . . . . .	607		1545	1T-0132 . . . . .	198
	1976		706		1547		202
1N-3770 . . . . .	236	1N-4910 . . . . .	1213		1549		206
1N-3784 . . . . .	236		1217		1551		208
1N-3872 . . . . .	300		1219		1553		212
	513		1220		1555		220
	515		1221		1557		222
	534		1223	1S-4305 . . . . .	1489		226
	536		1224	1S-4435 . . . . .	1385		228
	690		1228	1S-4589 . . . . .	327		238
	693		1229		329		240
	1479		1230		331		242
1N-3967 . . . . .	370		1231		333		245
	374		1232	1S-4810 . . . . .	313		253
	376		1233		314		260
	378	1N-5742 . . . . .	232		319		262
	▶401	1N-5999 . . . . .	726		362		756
1N-3986 . . . . .	268	1N-9770 . . . . .	1801		364		758
	270		2017		530	1T-0416 . . . . .	404
1N-4016 . . . . .	510	1P-0436 . . . . .	1007		532	1T-0550 . . . . .	986
1N-4028 . . . . .	856		1010		844		988
	865	1P-1120 . . . . .	818		2132	1T-0679 . . . . .	48
	868		824		2133	1T-0689 . . . . .	891
1N-4029 . . . . .	856	1P-3861 . . . . .	1004	1S-4974 . . . . .	1879		893
	865		1018		1882		895
	868	1P-5274 . . . . .	513		1884	1T-0720 . . . . .	300
1N-4054 . . . . .	268		517		1886		803
	270		518	1S-5440 . . . . .	1252		805
1N-4071 . . . . .	378		520		1254		807
1N-4072 . . . . .	378		521	1S-5772 . . . . .	315		846
1N-4073 . . . . .	378		534		605		860
1N-4074 . . . . .	378	1P-7115 . . . . .	282		607		1472
1N-4075 . . . . .	378	1P-7625 . . . . .	1189		609	1T-0765 . . . . .	196
1N-4087 . . . . .	300		1235		610		202
	652		1237		706		204
	654		1239		778		206
	1479	1P-7832 . . . . .	1716		784		208
1N-4299 . . . . .	1625		1754		787		210
1N-4348 . . . . .	1141	1P-8016 . . . . .	658		790		212
	1143		672		2129		214
	▶1199		674		2130		216
1N-4478 . . . . .	▶1244		676		2135		218
	1247	1R-0726 . . . . .	320		2136		220
1N-4636 . . . . .	1247		322		2138		222
	1248		455	1S-6097 . . . . .	994		224
	1249		463		996		226
1N-4637 . . . . .	539		470	1S-6595 . . . . .	313		228
	541		473		362		300
	545	1R-0756 . . . . .	320		364		756



# PART NUMBER INDEX

Part	Page	Part	Page	Part	Page	Part	Page
	758		901		515	1W-4861 . . . . .	▶1296
	760		902		534	1W-4862 . . . . .	1143
	768		903		536		1295
	1472		904	1W-3943 . . . . .	513		▶1299
1T-0808 . . . . .	1661		1594		534		1604
	1664		1595		536	1W-4863 . . . . .	1142
	1667	1W-1253 . . . . .	320	1W-3944 . . . . .	513		1594
	1670		322		534		▶1600
	1735		803		536	1W-4923 . . . . .	282
	1741		805	1W-4003 . . . . .	1242	1W-4955 . . . . .	803
1U-4738 . . . . .	575		807		1244		805
	578	1W-1258 . . . . .	805	1W-4005 . . . . .	1242		807
	586	1W-1259 . . . . .	805		1244	1W-5017 . . . . .	▶1039
	588	1W-1260 . . . . .	805	1W-4006 . . . . .	1242	1W-5021 . . . . .	▶1039
	590	1W-1563 . . . . .	348		1244	1W-5048 . . . . .	▶327
	593		350	1W-4007 . . . . .	1242	1W-5049 . . . . .	327
1U-7099 . . . . .	2149		352		1244	1W-5171 . . . . .	1039
1U-7102 . . . . .	2149		354	1W-4008 . . . . .	1242		1045
1U-7107 . . . . .	2149	1W-1564 . . . . .	348		1244		1046
1U-7108 . . . . .	2149		350	1W-4009 . . . . .	1242		1140
1U-7109 . . . . .	2149		352		1244		1141
1U-7111 . . . . .	2149		358	1W-4010 . . . . .	1242		▶1203
1U-7115 . . . . .	2149		360		1244		▶1204
1U-7118 . . . . .	2149	1W-1565 . . . . .	348	1W-4057 . . . . .	6	1W-5204 . . . . .	404
1U-7119 . . . . .	2149		354		▶1214	1W-5280 . . . . .	1893
1U-7234 . . . . .	2149	1W-1568 . . . . .	348	1W-4095 . . . . .	▶916	1W-5420 . . . . .	118
1U-7264 . . . . .	2149		354		935		139
1U-7267 . . . . .	2149	1W-1579 . . . . .	354	1W-4096 . . . . .	▶917	1W-5421 . . . . .	803
1V-3113 . . . . .	1625	1W-1653 . . . . .	▶818		935		805
1V-6341 . . . . .	1564		916	1W-4097 . . . . .	916		807
1V-7753 . . . . .	1409		917		917	1W-5547 . . . . .	▶515
	1410	1W-1801 . . . . .	166	1W-4121 . . . . .	1242	1W-5548 . . . . .	515
	1425		168		1244	1W-5549 . . . . .	515
	1607	1W-2060 . . . . .	348	1W-4126 . . . . .	2069	1W-5550 . . . . .	515
1V-8638 . . . . .	282		354		2073	1W-5728 . . . . .	803
1V-9020 . . . . .	1420	1W-2133 . . . . .	986	1W-4188 . . . . .	129		805
1W-0427 . . . . .	30	1W-2135 . . . . .	▶986		132		807
	34		1039		135	1W-5956 . . . . .	852
	38		1045		137	1W-5957 . . . . .	844
1W-0428 . . . . .	31		1046	1W-4191 . . . . .	453		852
	35		1140		▶454		2133
1W-0431 . . . . .	799		1141	1W-4219 . . . . .	▶4	1W-6005 . . . . .	539
1W-0432 . . . . .	799		1142	1W-4253 . . . . .	513		541
1W-0433 . . . . .	799		1143		515		545
1W-0434 . . . . .	799	1W-2136 . . . . .	1140	1W-4257 . . . . .	513		547
1W-0443 . . . . .	909		1142		515		573
	934		1143		534	1W-6032 . . . . .	994
1W-0494 . . . . .	799		▶1200		536		996
1W-0513 . . . . .	652		▶1201	1W-4341 . . . . .	961	1W-6033 . . . . .	994
	654	1W-2312 . . . . .	510		964		996
1W-0516 . . . . .	▶1035	1W-2421 . . . . .	432	1W-4499 . . . . .	1182		998
	1141		434		1185		1000
	1142		438		1188	1W-6034 . . . . .	▶994
	1143	1W-2422 . . . . .	438	1W-4594 . . . . .	432		1142
1W-0531 . . . . .	1027	1W-2565 . . . . .	1182		434		1143
1W-1250 . . . . .	805		1185		436	1W-6035 . . . . .	994
	852		1188	1W-4655 . . . . .	1242	1W-6036 . . . . .	▶996
	854	1W-2566 . . . . .	1182		1244		1039
	856		1185	1W-4670 . . . . .	▶552		1045
	862		1188	1W-4671 . . . . .	▶554		1141
	868	1W-2635 . . . . .	1836	1W-4672 . . . . .	▶556	1W-6037 . . . . .	996
	902	1W-2639 . . . . .	609	1W-4673 . . . . .	▶558	1W-6114 . . . . .	348
	903		610	1W-4674 . . . . .	▶560	1W-6263 . . . . .	30
	1595	1W-2744 . . . . .	1004	1W-4687 . . . . .	2069		34
1W-1251 . . . . .	320	1W-2963 . . . . .	457		2073	1W-6326 . . . . .	438
	322		460	1W-4776 . . . . .	560	1W-6356 . . . . .	309
	362		468		▶561		831
	364		476	1W-4800 . . . . .	378	1W-6441 . . . . .	174
	805	1W-3298 . . . . .	1023	1W-4820 . . . . .	513		705
	852	1W-3437 . . . . .	988		534	1W-6737 . . . . .	705
	854	1W-3647 . . . . .	1168		536	1W-6852 . . . . .	805
	856	1W-3648 . . . . .	1168	1W-4859 . . . . .	▶1037	1W-6935 . . . . .	1242
	862	1W-3940 . . . . .	▶513		1039	1W-6936 . . . . .	1242
	868	1W-3942 . . . . .	513		1142		1244

# PART NUMBER INDEX

Part	Page	Part	Page	Part	Page	Part	Page
1W-6974 . . . . .	404		1473		28		1071
1W-6977 . . . . .	404		1516	1W-9279 . . . . .	26		1080
1W-7201 . . . . .	1035		1518		28		1088
1W-7202 . . . . .	1035		1520	1W-9379 . . . . .	986		1098
	▶2098		1522		988		1105
1W-7203 . . . . .	1035		1559	1W-9461 . . . . .	4		1113
1W-7204 . . . . .	1035		1560		12		1123
1W-7205 . . . . .	1035		1806		▶803		1131
1W-7206 . . . . .	1035		2001	1W-9463 . . . . .	8		1144
1W-7207 . . . . .	1035		2003		15		1153
	▶1209		2005		▶805		1296
1W-7208 . . . . .	1035		2007	1W-9466 . . . . .	8		1299
	▶1161		2009		15	1W-9783 . . . . .	1037
1W-7209 . . . . .	▶959		2013		▶807		1048
	1035	1W-8133 . . . . .	2016	1W-9487 . . . . .	▶831		1058
1W-7214 . . . . .	530		2005	1W-9488 . . . . .	▶836		1088
	532		2007	1W-9659 . . . . .	1209		1131
1W-7254 . . . . .	1035		2009	1W-9660 . . . . .	1209	1W-9784 . . . . .	974
1W-7255 . . . . .	1035		2013	1W-9661 . . . . .	1209		1048
1W-7256 . . . . .	1035		2016	1W-9663 . . . . .	1209		1088
1W-7278 . . . . .	350	1W-8143 . . . . .	1382	1W-9664 . . . . .	1209		1131
1W-7366 . . . . .	1035	1W-8144 . . . . .	1380	1W-9665 . . . . .	1269	1W-9872 . . . . .	17
1W-7391 . . . . .	902		1382	1W-9666 . . . . .	1269		▶918
	903	1W-8145 . . . . .	1380	1W-9673 . . . . .	1269		
1W-7533 . . . . .	1595		1382	1W-9674 . . . . .	1269		
	1182	1W-8188 . . . . .	513	1W-9675 . . . . .	1269		
	1185		515	1W-9676 . . . . .	1269		
	1188		534	1W-9677 . . . . .	1269		
1W-7534 . . . . .	1182		536	1W-9678 . . . . .	959	2A-0762 . . . . .	356
	1185	1W-8238 . . . . .	30	1W-9680 . . . . .	2098		543
	1188		34	1W-9681 . . . . .	2098		782
1W-7535 . . . . .	1182		38	1W-9682 . . . . .	2098		897
	1185	1W-8264 . . . . .	703	1W-9683 . . . . .	2098		1425
	1188		705	1W-9684 . . . . .	2098		1926
	1191	1W-8378 . . . . .	891	1W-9685 . . . . .	2098		1951
1W-7537 . . . . .	1183		893	1W-9686 . . . . .	2098		1954
	1186		895	1W-9687 . . . . .	2098		2018
	1189	1W-8393 . . . . .	891	1W-9688 . . . . .	2098		2022
	1192		893	1W-9689 . . . . .	2098		2026
	1194		895	1W-9690 . . . . .	2098		2030
1W-7538 . . . . .	370	1W-8434 . . . . .	994	1W-9780 . . . . .	985		2034
	374		996		1031		2038
1W-7548 . . . . .	1016		998		1033		2041
	1021		1000		1047		2044
1W-7579 . . . . .	836	1W-8495 . . . . .	▶28		1057		2047
1W-7580 . . . . .	836		31		1064		2050
1W-7668 . . . . .	1226		35		1071	2A-1162 . . . . .	726
1W-7669 . . . . .	1214	1W-8508 . . . . .	▶573		1079	2A-1420 . . . . .	1850
1W-7770 . . . . .	908		574		1087	2A-1531 . . . . .	784
	924		573		1097		787
	925	1W-8509 . . . . .	573		1105		790
	931	1W-8511 . . . . .	573		1113	2A-1538 . . . . .	1853
1W-7811 . . . . .	482	1W-8578 . . . . .	1035		1122		1854
	▶1269		▶1269		1130	2A-4429 . . . . .	157
1W-7996 . . . . .	831	1W-8598 . . . . .	129		1144		161
1W-8104 . . . . .	▶1905	1W-8805 . . . . .	574		1152		163
	▶1907	1W-8974 . . . . .	891		1152		166
1W-8105 . . . . .	▶1909		893	1W-9781 . . . . .	985		167
	▶1911		895		1047		168
1W-8109 . . . . .	▶231	1W-8975 . . . . .	891		1057		296
1W-8116 . . . . .	▶1913		893		1079		297
	▶1915		895		1087	2A-4639 . . . . .	300
1W-8117 . . . . .	▶1917	1W-9070 . . . . .	1617		1097		307
	▶1918		1618		1105		350
1W-8120 . . . . .	1905		1619		1113		521
	1907	1W-9166 . . . . .	370		1122		652
1W-8121 . . . . .	1905		374		1130		654
	1907		378		1144		688
1W-8122 . . . . .	1909	1W-9275 . . . . .	26		1152		693
	1911		28	1W-9782 . . . . .	983		706
1W-8129 . . . . .	231	1W-9276 . . . . .	26		1031		708
	300		28		1033		846
	1368	1W-9277 . . . . .	26		1048		860
	1380		28		1058		994
	1382	1W-9278 . . . . .	26		1064		

# PART NUMBER INDEX

Part	Page	Part	Page	Part	Page	Part	Page
	996		238		1670		1690
	998		243		1675		1695
	1000		254		1680		1700
	1472		260		1685		1704
	1479	2B-2694 . . . . .	300		1690		1707
2A-4781 . . . . .	1271		534		1695		1713
	1274		536		1700		1721
	1277		556		1703		1724
	1279		558		1707		1727
	1281		571		1712		1730
	1283		684		1720		1733
	1285		994		1723		1736
	1287		996		1726		1739
	1289		998		1729		1742
	1292		1000		1732		1762
	1596		1191		1735	2F-6687 . . . . .	959
	1598		1192		1738	2F-6713 . . . . .	1209
2A-5220 . . . . .	291		1194		1741	2F-6719 . . . . .	959
	300		1477		1762	2F-6721 . . . . .	976
	961	2B-2695 . . . . .	24	2D-6642 . . . . .	974		1049
	964		26		1048		1058
	1476		28		1088		1080
2A-5546 . . . . .	1380		194		1131		1089
	1382		196	2D-7325 . . . . .	2065		1098
	1903		198		2069		1106
	1928		200		2071		1114
	1929		202		2073		1123
	1941		204		2075		1132
	1943		206	2F-0808 . . . . .	922		1145
	1945		208		1889		1153
	1948		210		1977		1205
	1950		212	2F-2860 . . . . .	1679		1209
	1951		214		1689	2F-6734 . . . . .	1161
	1954		216		1694	2F-6737 . . . . .	1161
	1958		218		1699	2F-6739 . . . . .	1161
	1964		220		1703	2F-6743 . . . . .	1161
2B-0858 . . . . .	28		222		1706	2F-6746 . . . . .	1209
	30		224		1712	2F-6754 . . . . .	1209
	34		228		1720	2F-6756 . . . . .	1209
	126		242	2F-3219 . . . . .	959	2F-6802 . . . . .	959
	129		245		968	2F-6814 . . . . .	1035
	132		249		970	2F-6818 . . . . .	959
	139		253		1040	2G-6236 . . . . .	666
	141		256		1048		682
	143		300		1049	2G-6303 . . . . .	513
	144		307		1058		534
	145		324		1064		536
	147		450		1065	2G-6304 . . . . .	513
	294		513		1071		534
	350		515		1072		536
	352		534		1080	2H-1258 . . . . .	552
	356		536		1088		554
	460		684		1089		556
	476		710		1098		558
	500		986		1106		571
	510		988		1114	2H-1259 . . . . .	552
	511		1182		1123		554
	710		1185		1131		556
	805		1188		1132		558
	834		1477		1145		571
2B-0941 . . . . .	979		1506		1153	2H-3429 . . . . .	1027
	2011	2D-2460 . . . . .	584	2F-4547 . . . . .	238		1040
2B-0947 . . . . .	268	2D-6235 . . . . .	2017		242		1048
	283		2021		253		1058
	288		2025	2F-4967 . . . . .	1958		1065
	289		2034		1964		1072
	300		2038	2F-6674 . . . . .	1035		1080
	668		2041	2F-6678 . . . . .	1659		1088
	694		2044		1662		1098
	992		2047		1668		1106
2B-2006 . . . . .	202	2D-6392 . . . . .	1658		1671		1114
	206		1661		1675		1123
	212		1664		1680		1131
	220		1667		1685		1145

# PART NUMBER INDEX

Part	Page	Part	Page	Part	Page	Part	Page
	1153		1241	2L-2811 . . . . .	1483	2L-8071 . . . . .	1674
	1652	2J-0157 . . . . .	295		1487		1679
	1655		298		1491		1684
	1659		316		1493		1694
	1661		432		1495		1706
	1664		434		1497	2L-8074 . . . . .	1809
	1667		436		1502	2L-8075 . . . . .	1313
	1670		438	2L-3402 . . . . .	1504		1316
	1675		1027		1890		1319
	1685	2J-3118 . . . . .	820		1891		1448
	1723		826	2L-6267 . . . . .	50		1454
	1726	2J-3505 . . . . .	56	2L-6324 . . . . .	961		1625
	1729		58		964		1821
	1732		60	2L-6679 . . . . .	1561		1822
	1735		62		1658		1823
	1738		64		1661		1824
	1741		66		1664		1825
	1764		68		1674		1826
	1767		70		1679		1827
2H-3745 . . . . .	658	2J-3506 . . . . .	629		1684		2030
	672	2J-3507 . . . . .	344		1689		2052
	674		1850		1694	2L-8076 . . . . .	1440
	676	2J-6274 . . . . .	92		1699		1444
2H-3755 . . . . .	883		98		1703		1445
	885		129		1706		1455
2H-3855 . . . . .	1382		314		1712		2050
2H-3880 . . . . .	1271	2J-6356 . . . . .	1297		1720		2051
	1274		1298		1723		2052
	1277	2J-8163 . . . . .	1658		1726	2L-8077 . . . . .	1444
	1279		1661		1729		1448
	1281		1664		1732		1454
	1283		1667		1735		1456
	1285		1670		1738		2050
	1287		1674		1761		2051
	1289		1675	2L-8049 . . . . .	1449		2052
	1292		1679		1454	2L-8078 . . . . .	1448
	1596		1680	2L-8050 . . . . .	1428	2L-8079 . . . . .	1448
	1716		1684		1448		1454
	1754		1685		1449		1625
2H-3893 . . . . .	344		1689		1455	2L-8081 . . . . .	1440
2H-3922 . . . . .	1625		1690	2L-8052 . . . . .	1448		1828
2H-3927 . . . . .	515		1694		1454	2L-9038 . . . . .	961
	517		1695	2L-8054 . . . . .	1449		964
	521		1699		1454	2L-9724 . . . . .	2011
2H-3931 . . . . .	1716		1700	2L-8057 . . . . .	1322	2M-0849 . . . . .	186
	1755		1703		1454		187
2H-3932 . . . . .	1297		1706		1455		300
	1298		1707	2L-8058 . . . . .	1428		690
	2130		1712		1455		693
2H-3934 . . . . .	728		1716	2L-8060 . . . . .	1322		860
	730		1720	2L-8061 . . . . .	1454		1423
	732		1723	2L-8065 . . . . .	1448		1472
	748		1726		1454		1479
2H-3939 . . . . .	582		1729	2L-8066 . . . . .	1445		1971
	588		1732		1448	2M-4453 . . . . .	31
	1537		1735		1454		35
	1541		1738		1455		129
	1543		1741		1456		198
	1545		1754		1674		202
	1547		1755		1679		206
	1549	2K-2385 . . . . .	658		1684		208
	1551		672		1694		212
	1555		674		1706		220
2H-3940 . . . . .	845		676		2052		222
	849	2K-3455 . . . . .	1064	2L-8067 . . . . .	1428		226
	850		1071		1445		228
	851		1162		1448		242
2H-7551 . . . . .	850		1163		1454		245
2H-9091 . . . . .	845	2K-4821 . . . . .	1313		2052		253
	849		1316	2L-8068 . . . . .	1448		295
	851		1319		1454		298
2H-9523 . . . . .	1235	2K-4973 . . . . .	812		1455		397
	1237		891	2L-8069 . . . . .	1448		728
	1239	2L-0273 . . . . .	1322		1454		746

# PART NUMBER INDEX

Part	Page	Part	Page	Part	Page	Part	Page
	1182		1420		563		1754
	1185	2N-2765 . . . . .	313		565	2P-8977 . . . . .	1534
	1188	2N-2766 . . . . .	844		566	2R-1913 . . . . .	2083
2M-8191 . . . . .	1028		913		568	2R-3538 . . . . .	656
	1029		915		569		660
	1030		918	2N-7521 . . . . .	561		662
2M-9780 . . . . .	348		919		563	2R-6806 . . . . .	534
	354		920		565		536
	453		926		566		571
	494		927		568		1169
	1007		930		569		1171
	1010		935	2N-7522 . . . . .	561	2R-7712 . . . . .	1530
	1012		936		564		1537
	1016		937		566		1541
	1021		938		568		1545
	1023		939		569		1547
	1025		940	2N-7523 . . . . .	563		1557
	1182		941		564	2R-8613 . . . . .	783
	1185		942		565	2S-1251 . . . . .	2132
	1188		943		568	2S-2760 . . . . .	539
	1191		944		569		541
	1194		945	2N-7524 . . . . .	563		545
	1958		946		564		547
	1960		947		565	2S-2923 . . . . .	31
	1962		948		568		35
	1964		949		569		38
	1966		950	2N-7604 . . . . .	604	2S-3625 . . . . .	510
	1968		951	2N-8263 . . . . .	623	2S-5100 . . . . .	455
	2130		952		626		457
	2134		953		629		460
2N-0477 . . . . .	1254		954	2N-8329 . . . . .	605		463
2N-0478 . . . . .	1252		955	2N-8611 . . . . .	190		467
2N-0822 . . . . .	724	2N-3145 . . . . .	1761		192		470
2N-0931 . . . . .	315	2N-3473 . . . . .	2030	2N-8613 . . . . .	467		473
	784		2034		470		476
	787	2N-3475 . . . . .	2030	2N-9768 . . . . .	781		1002
	790		2034		782		1004
	2129	2N-3476 . . . . .	1865	2P-1279 . . . . .	1169		1007
	2130		1867		1171		1010
2N-1287 . . . . .	52		2055	2P-1296 . . . . .	1182		1012
	1376	2N-3478 . . . . .	1996		1185		1014
	1378		1998		1188		1016
	1380		2000		1191		1018
	1382		2033		1194		1021
	1485	2N-3479 . . . . .	1004	2P-1297 . . . . .	301		1023
	1489		1322		684		1025
	1905		1353		1477	2S-8439 . . . . .	787
	1907		2017	2P-1306 . . . . .	30	2V-4387 . . . . .	301
	1913		2021		34		310
	1915		2025		38		690
2N-1931 . . . . .	1587		2029	2P-2772 . . . . .	91		1370
2N-1943 . . . . .	▶ 1329		2034		92		1371
2N-2011 . . . . .	670		2066		94		1479
	672	2N-3480 . . . . .	1351		96	2V-5956 . . . . .	1169
	674		1353		98		1171
	676		1414	2P-3696 . . . . .	772		1198
	678		1416		774		1199
	680		1418	2P-5616 . . . . .	1313		1203
	682		1420		1316		1374
2N-2012 . . . . .	664		2034		1319		1387
	666	2N-4544 . . . . .	552	2P-7636 . . . . .	301		1389
	668	2N-5104 . . . . .	30		526		1391
	670		34		1174		1395
	678	2N-5842 . . . . .	432		1178		1398
	680		434		1182		1483
	682		436		1185		1485
	699		438		1188		1487
	702	2N-7029 . . . . .	1274		1191		1489
2N-2013 . . . . .	664		1285		1194		1499
	666		1287	2P-8817 . . . . .	1716		1502
	668	2N-7308 . . . . .	1532		1754		1504
2N-2258 . . . . .	1350	2N-7456 . . . . .	2000	2P-8825 . . . . .	1716		1905
	1353	2N-7519 . . . . .	565		1754		1907
	1418	2N-7520 . . . . .	561	2P-8867 . . . . .	1716		1913

# PART NUMBER INDEX

Part	Page	Part	Page	Part	Page	Part	Page
	1915		1131	2W-0148 . . . . .	1040	2W-0243 . . . . .	1037
	1950	2W-0138 . . . . .	968		1064		1047
2V-7397 . . . . .	1335		974		1071		1057
	1337		976		1097		1064
	1338		983		1113		1071
	1339		985		1144		1079
	1341		1033		1152		1087
2V-8571 . . . . .	1174		1040	2W-0221 . . . . .	968		1097
2W-0119 . . . . .	974		1047		974		1105
	1049		1057		978		1113
	1089		1064		981		1122
	1132		1071		1047		1130
2W-0120 . . . . .	1041		1079		1049		1144
	1048		1087		1064		1152
	1058		1097		1071	2W-0245 . . . . .	1040
	1088		1105		1087		1047
	1131		1113		1089		1057
2W-0121 . . . . .	968		1122		1130		1079
	970		1130		1132		1087
	1049		1144		1162		1097
	1058		1152		1163		1105
	1089		1162	2W-0222 . . . . .	974		1113
	1132		1296		1047		1130
2W-0122 . . . . .	968		1299		1057		1144
	970		1600		1064		1152
	1049		1603		1071	2W-0281 . . . . .	1041
	1058	2W-0139 . . . . .	1037		1079		1048
	1089	2W-0140 . . . . .	1040		1105		1058
	1132		1047		1162		1088
2W-0123 . . . . .	985		1057		1163		1131
	1047		1065	2W-0223 . . . . .	1041	2W-0282 . . . . .	1040
	1057		1072		1048		1041
	1079		1079		1058		1047
	1087		1087		1088		1048
	1097		1097		1131		1057
	1105		1105		1250		1058
	1113		1113		1251		1064
	1130		1122	2W-0224 . . . . .	976		1071
2W-0124 . . . . .	1031		1130		1040		1079
	1033		1144		1047		1087
	1040		1152		1057		1088
	1047	2W-0141 . . . . .	1037		1064		1097
	1057		1048		1071		1105
	1064		1131		1079		1113
	1071	2W-0142 . . . . .	967		1087		1122
	1079		968		1097		1130
	1087		970		1105		1131
	1097		1049		1113		1144
	1105		1058		1130		1152
	1113		1089		1144		1163
	1122		1132		1152		1250
	1130	2W-0143 . . . . .	968		1162		1251
	1144		1049		1163		1256
	1152		1132	2W-0225 . . . . .	974	2W-0283 . . . . .	1040
2W-0125 . . . . .	974	2W-0144 . . . . .	1037		978		1048
	978		1048		981		1058
	981		1058		1048		1065
	1048		1065		1088		1072
	1088		1072		1131		1080
	1131		1080	2W-0226 . . . . .	1040		1088
2W-0126 . . . . .	1041		1088	2W-0232 . . . . .	▶983		1098
	1048		1098		1037		1106
	1058		1106	2W-0233 . . . . .	▶1028		1114
	1088		1114		▶1029		1123
	1131		1123		1037		1131
2W-0127 . . . . .	1041		1131		1048		1145
	1048		1145		1080		1153
	1058		1153		1088	2W-0284 . . . . .	1269
	1088	2W-0145 . . . . .	1037		1098	2W-0394 . . . . .	1350
	1131		1047		1123		1353
2W-0128 . . . . .	1041		1057		1131	2W-0445 . . . . .	1037
	1048		1087		1145		1047
	1058		1130		1153		1130
	1088	2W-0147 . . . . .	976	2W-0242 . . . . .	1600	2W-0446 . . . . .	1040

# PART NUMBER INDEX

Part	Page	Part	Page	Part	Page	Part	Page
	1047		1031		1114		1048
	1057		1033		1123		1058
	1079		1048		1132		1065
	1087		1058		1145		1072
	1097		1064		1153		1080
	1105		1071		1205		1088
	1113		1080	2W-1248 . . . . .	911		1098
	1130		1088	2W-1268 . . . . .	816		1106
	1144		1098	2W-1458 . . . . .	1040		1114
2W-0447 . . . . .	1152		1105		1047		1123
	1041		1113		1057		1131
	1048		1123		1079		1145
	1058		1131		1087		1153
	1065		1144		1097	2W-1646 . . . . .	1048
	1072		1153		1105		1058
	1080	2W-0778 . . . . .	1057		1113		1080
	1088		1105		1130		1088
	1098		1113		1144		1098
	1106		1144		1152		1106
	1114	2W-0779 . . . . .	985		1162		1114
	1123		1047		1162		1114
	1131		1079	2W-1459 . . . . .	974		1123
	1145		1087		1037		1131
	1153		1097	2W-1475 . . . . .	974		1145
2W-0543 . . . . .	972		1122		1048		1153
2W-0583 . . . . .	959		1130		1088		1205
2W-0618 . . . . .	1423		1152	2W-1476 . . . . .	974	2W-1647 . . . . .	968
	1425	2W-0782 . . . . .	984		1033		1037
	1844		985		1048	2W-1769 . . . . .	1893
2W-0630 . . . . .	957		1047		1072	2W-1772 . . . . .	1378
2W-0632 . . . . .	1169		1057		1080		1382
	1171		1079		1088	2W-1793 . . . . .	2005
2W-0634 . . . . .	1169		1087		1098		2007
	1171		1097		1123		2009
2W-0635 . . . . .	1169		1105		1131		2012
	1171		1113		1153		2013
2W-0636 . . . . .	1169		1130	2W-1477 . . . . .	974		2015
	1171	2W-0784 . . . . .	1040		1048	2W-1918 . . . . .	2016
2W-0688 . . . . .	973		1047		1088		970
2W-0694 . . . . .	513		1057		1131	2W-1919 . . . . .	1037
	515		1087	2W-1479 . . . . .	974	2W-1923 . . . . .	1037
	534		1130		1049		1040
	536	2W-0791 . . . . .	1028		1089	2W-1940 . . . . .	816
2W-0699 . . . . .	2098		1029		1132	2W-1969 . . . . .	455
2W-0700 . . . . .	2098		1030	2W-1480 . . . . .	974		460
2W-0715 . . . . .	818	2W-0814 . . . . .	481		1048		463
	824	2W-0895 . . . . .	1269		1088		467
2W-0752 . . . . .	85	2W-0960 . . . . .	1917		1131		470
	86	2W-1053 . . . . .	301	2W-1481 . . . . .	974		473
	88		497		1048		476
	295		500		1088		496
	298		503		1131		500
	301		506	2W-1482 . . . . .	1162		503
	312		510	2W-1484 . . . . .	1037		506
	320		1477		1205	2W-2117 . . . . .	278
	452	2W-1054 . . . . .	2144	2W-1635 . . . . .	455	2W-2120 . . . . .	278
	453	2W-1061 . . . . .	190		457	2W-2288 . . . . .	111
	1476		192		460		112
2W-0774 . . . . .	2137	2W-1219 . . . . .	1030		463		113
	1040		1058		467		114
	1047		1106		470	2W-2324 . . . . .	1296
	1057		1114		473	2W-2325 . . . . .	1600
	1064	2W-1220 . . . . .	985		476	2W-2326 . . . . .	1600
	1071		1037		496	2W-2327 . . . . .	1299
	1079	2W-1228 . . . . .	1031		500	2W-2328 . . . . .	1299
	1087		1033		503	2W-2330 . . . . .	1299
	1097		1049		506	2W-2331 . . . . .	1600
	1105		1058	2W-1640 . . . . .	852	2W-2333 . . . . .	1600
	1113		1065		854		1603
	1130		1072		856	2W-2336 . . . . .	1600
	1144		1080		862	2W-2606 . . . . .	1234
	1152		1089		865	2W-2627 . . . . .	1035
	1163		1098		868	2W-2642 . . . . .	1028
2W-0776 . . . . .	983		1106	2W-1645 . . . . .	1037		1029

# PART NUMBER INDEX

Part	Page	Part	Page	Part	Page	Part	Page
2W-2643 . . . . .	▶976	2W-4076 . . . . .	▶880		1058		1088
	1087	2W-4304 . . . . .	1064		1080		1098
	1097		1071		1088		1106
	1113		1162		1098		1114
	1122		1163		1106		1123
	1130	2W-4305 . . . . .	1040		1114		1131
	1144		1048		1123		1145
	1152		1057		1131		1153
2W-2662 . . . . .	166		1065		1145	2W-4320 . . . . .	1064
	167		1072		1153		1071
	168		1080	2W-4314 . . . . .	1064		1162
2W-2895 . . . . .	238		1088		1071		1163
	240		1097		1162	2W-4321 . . . . .	1040
	245		1106		1163		1047
	249		1114	2W-4315 . . . . .	1040		1057
	253		1122		1047		1065
	256		1131		1057		1072
	262		1144		1064		1079
	264		1152		1071		1087
	268	2W-4306 . . . . .	1040		1079		1097
	270		1047		1087		1105
	272		1057		1097		1113
2W-2940 . . . . .	126		1079		1105		1122
	127		1087		1113		1130
	129		1097		1130		1144
	132		1105		1144		1152
	135		1113		1152	2W-4322 . . . . .	1064
	137		1122		1163		1071
	139		1130	2W-4316 . . . . .	1040		1162
	141		1144		1047		1163
	143		1152		1057	2W-4323 . . . . .	1058
	144	2W-4307 . . . . .	1040		1065		1106
	145		1047		1072		1114
	147		1057		1079		1145
2W-2943 . . . . .	▶118		1064		1087	2W-4324 . . . . .	1040
	▶119		1072		1097		1048
	129		1079		1105		1058
2W-2944 . . . . .	4		1087		1113		1065
	8		1097		1122		1072
	12		1105		1130		1080
	15		1113		1144		1088
	▶129		1122		1152		1098
	▶132		1130	2W-4317 . . . . .	1040		1106
	▶135		1144		1047		1114
	▶137		1152		1057		1123
2W-3037 . . . . .	▶343	2W-4310 . . . . .	1040		1079		1131
2W-3146 . . . . .	301		1047		1087		1145
	686		1057		1097		1153
	1478		1064		1105	2W-4331 . . . . .	571
2W-3406 . . . . .	513		1071		1113	2W-4480 . . . . .	1866
	515		1079		1122		1869
2W-3584 . . . . .	426		1087		1130		1982
	427		1097		1144		1987
2W-3590 . . . . .	1041		1105		1152		1990
	1048		1113	2W-4318 . . . . .	1040	2W-4524 . . . . .	959
	1058		1122		1048	2W-4525 . . . . .	959
	1088		1130		1057	2W-4606 . . . . .	985
	1131		1144		1065		1031
2W-3591 . . . . .	974		1152		1072		1033
	1049	2W-4311 . . . . .	1040		1080		1047
	1089		1047		1088		1057
	1132		1057		1097		1064
2W-3675 . . . . .	2065		1079		1106		1071
2W-3683 . . . . .	2065		1087		1114		1079
2W-3684 . . . . .	2065		1097		1122		1087
2W-3736 . . . . .	1209		1105		1131		1097
2W-3737 . . . . .	1209		1113		1144		1105
2W-3738 . . . . .	1209		1122		1152		1113
2W-3798 . . . . .	1209		1130	2W-4319 . . . . .	1040		1122
2W-3799 . . . . .	1209		1144		1048		1130
2W-4049 . . . . .	901		1152		1058		1144
	904	2W-4312 . . . . .	1040		1065		1152
	1594	2W-4313 . . . . .	1040		1072	2W-4608 . . . . .	1049
2W-4075 . . . . .	▶879		1048		1080		1059



# PART NUMBER INDEX

Part	Page	Part	Page	Part	Page	Part	Page
	1080		1049	2W-4899 . . . . .	1438		1153
	1089		1089	2W-4923 . . . . .	▶858		1205
	1098		1132		1604	2W-5006 . . . . .	976
	1106	2W-4624 . . . . .	974	2W-4927 . . . . .	▶1169	2W-5007 . . . . .	976
	1114		1047		▶1171	2W-5008 . . . . .	968
	1123		1057		1295		970
	1132		1064		1604		1049
	1145		1071	2W-4929 . . . . .	1508		1058
	1153		1079		1509		1089
	1205		1105	2W-4992 . . . . .	1269		1132
2W-4609 . . . . .	1299		1162	2W-4994 . . . . .	1049	2W-5009 . . . . .	1600
2W-4610 . . . . .	968		1163		1058	2W-5010 . . . . .	974
	970	2W-4625 . . . . .	974		1080		1049
	1049		1049		1089		1088
	1058		1089		1098		1131
	1089		1132		1106	2W-5011 . . . . .	1049
	1132	2W-4626 . . . . .	968		1114		1059
2W-4611 . . . . .	1299		1049		1123		1080
2W-4613 . . . . .	968		1058		1132		1089
	1049		1080		1145		1098
	1059		1089		1153		1106
	1080		1098		1205		1114
	1089		1106	2W-4995 . . . . .	1040		1123
	1098		1114		1048		1132
	1106		1132		1057		1145
	1114	2W-4627 . . . . .	974		1065		1153
	1132		1049		1072		1205
2W-4615 . . . . .	974		1089		1080	2W-5012 . . . . .	968
	1049		1132		1087		970
	1088	2W-4628 . . . . .	1600		1097		1049
	1131	2W-4629 . . . . .	974		1106		1058
2W-4616 . . . . .	968		1049		1114		1089
	1049		1089		1122		1132
	1132		1132		1130	2W-5013 . . . . .	1299
2W-4617 . . . . .	968	2W-4630 . . . . .	974		1144	2W-5014 . . . . .	1049
	1049		1049		1152		1059
	1058		1089	2W-4997 . . . . .	968		1080
	1080		1132		1049		1089
	1089	2W-4633 . . . . .	985		1058		1098
	1098		1033		1080		1106
	1106		1047		1089		1114
	1114		1071		1098		1123
	1132		1079		1106		1132
2W-4619 . . . . .	974		1087		1114		1145
	1033		1097		1132		1153
	1048		1122	2W-4999 . . . . .	968		1205
	1072		1130		1049	2W-5111 . . . . .	2065
	1080		1152		1058		2071
	1088	2W-4635 . . . . .	1049		1080		2075
	1098		1059		1089	2W-5200 . . . . .	1214
	1123		1080		1098		1217
	1131		1089		1106		1224
	1153		1098		1114		1226
2W-4620 . . . . .	968		1106		1132	2W-5213 . . . . .	902
	1049		1114	2W-5001 . . . . .	968		903
	1059		1123		970		1595
	1080		1132		1049	2W-5215 . . . . .	893
	1089		1145		1058		895
	1098		1153		1089	2W-5216 . . . . .	▶893
	1106		1205		1132		▶895
	1114	2W-4690 . . . . .	350		974		902
	1132		352	2W-5003 . . . . .	974		301
2W-4621 . . . . .	1299	2W-4855 . . . . .	279		1049	2W-5225 . . . . .	690
2W-4622 . . . . .	974	2W-4856 . . . . .	56		1089		693
	1033		60		1132		1479
	1049		64	2W-5005 . . . . .	1049	2W-5285 . . . . .	100
	1072		68		1058		101
	1080		▶279		1080		102
	1089	2W-4875 . . . . .	621		1089		1600
	1098		624		1098	2W-5450 . . . . .	1600
	1123		627		1106	2W-5476 . . . . .	545
	1132	2W-4880 . . . . .	891		1114	2W-5477 . . . . .	▶539
	1153		893		1123		549
2W-4623 . . . . .	974		895		1132	2W-5478 . . . . .	539
					1145	2W-5479 . . . . .	539

# PART NUMBER INDEX

Part	Page	Part	Page	Part	Page	Part	Page
	541		1132		974	2W-7444 . . . . .	1214
	547		1145		1047		1226
2W-5506 . . . . .	420		1153		1049	2W-7445 . . . . .	1214
2W-5507 . . . . .	421		1205		1087		1226
2W-5508 . . . . .	421	2W-6009 . . . . .	865		1089	2W-7446 . . . . .	1214
2W-5514 . . . . .	421		901		1130		1226
2W-5530 . . . . .	1297	2W-6047 . . . . .	961		1132	2W-7447 . . . . .	1226
2W-5531 . . . . .	▶1297	2W-6078 . . . . .	1635	2W-6507 . . . . .	1617	2W-7448 . . . . .	1226
2W-5616 . . . . .	▶103		1637		1618	2W-7449 . . . . .	1226
	▶104		1643	2W-6514 . . . . .	▶56	2W-7505 . . . . .	286
2W-5652 . . . . .	893	2W-6079 . . . . .	1627		▶58	2W-7584 . . . . .	202
	895		1638	2W-6524 . . . . .	56		212
2W-5653 . . . . .	893		1640		58		238
	895		1646	2W-6525 . . . . .	60		253
2W-5820 . . . . .	1161	2W-6081 . . . . .	1627		62	2W-7585 . . . . .	212
2W-5821 . . . . .	1161		1635	2W-6526 . . . . .	56		242
2W-5822 . . . . .	1161		1638		58		253
2W-5823 . . . . .	1161		1640		60	2W-7586 . . . . .	202
2W-5824 . . . . .	1161		1643		62		206
2W-5869 . . . . .	1049		1646	2W-6605 . . . . .	422		220
	1058	2W-6082 . . . . .	1627	2W-6606 . . . . .	▶420		238
	1080		1635	2W-6607 . . . . .	▶421		260
	1089		1637	2W-6608 . . . . .	▶422	2W-7703 . . . . .	1171
	1098		1640	2W-6618 . . . . .	539		1508
	1106		1643		541		1509
	1114		1646		547	2W-7704 . . . . .	1171
	1132	2W-6083 . . . . .	561	2W-6619 . . . . .	545		1508
	1205	2W-6108 . . . . .	1295	2W-6667 . . . . .	1004		1509
2W-5871 . . . . .	974		▶1506		1018	2W-7755 . . . . .	837
	1049		1604	2W-6672 . . . . .	1004	2W-7756 . . . . .	▶837
	1131	2W-6128 . . . . .	1506		1018	2W-7811 . . . . .	2063
2W-5872 . . . . .	968	2W-6129 . . . . .	1506	2W-6695 . . . . .	539		2077
2W-5873 . . . . .	974	2W-6286 . . . . .	1005	2W-6701 . . . . .	670	2W-7824 . . . . .	647
	1048		1018		674	2W-7866 . . . . .	▶838
	1088	2W-6287 . . . . .	1004	2W-6820 . . . . .	956	2W-7867 . . . . .	838
	1131		1018		957	2W-7868 . . . . .	838
2W-5874 . . . . .	1040	2W-6288 . . . . .	1004	2W-6889 . . . . .	1269	2W-7871 . . . . .	▶839
	1048		1007	2W-6890 . . . . .	985	2W-7872 . . . . .	839
	1080		1010		1048	2W-7989 . . . . .	728
	1088		1012		1058		730
	1098		1016		1089	2W-7990 . . . . .	728
	1123		1018		1132		730
	1131		1021	2W-6891 . . . . .	1040	2W-8014 . . . . .	335
	1153		1023		1047		336
2W-5907 . . . . .	1600		1025		1057		337
	1603	2W-6289 . . . . .	1004		1087		338
2W-5909 . . . . .	1600		1018		1130		339
2W-5913 . . . . .	974	2W-6290 . . . . .	1004	2W-6943 . . . . .	▶60		340
	1049		1018		▶62		341
	1089	2W-6291 . . . . .	1004	2W-7163 . . . . .	▶897		342
	1132	2W-6292 . . . . .	1004		▶899		381
2W-5916 . . . . .	974		1018		901		382
	1048	2W-6293 . . . . .	1004		904		383
	1072		1018		1594		384
	1080	2W-6325 . . . . .	▶1004	2W-7183 . . . . .	787		386
	1088	2W-6326 . . . . .	1004	2W-7226 . . . . .	500		387
	1098	2W-6333 . . . . .	787		511		388
	1123	2W-6382 . . . . .	1617	2W-7320 . . . . .	202		389
	1131		1618		204	2W-8023 . . . . .	897
	1153	2W-6417 . . . . .	1040		212		899
2W-5917 . . . . .	1600		1048		214	2W-8060 . . . . .	2004
2W-5974 . . . . .	1600		1057		228	2W-8202 . . . . .	30
2W-5975 . . . . .	1031		1065		238		34
	1033		1072		240		38
	1049		1080		253	2W-8245 . . . . .	▶139
	1059		1088		256		▶141
	1065		1098	2W-7321 . . . . .	202	2W-8338 . . . . .	30
	1072		1106		212		34
	1080		1114		228		38
	1089		1122		238	2W-8370 . . . . .	▶1919
	1098		1131		253		▶1921
	1106		1144	2W-7441 . . . . .	1214	2W-8371 . . . . .	▶1923
	1114		1152	2W-7442 . . . . .	1214		▶1924
	1123	2W-6418 . . . . .	968	2W-7443 . . . . .	1214		▶1926

# PART NUMBER INDEX

Part	Page	Part	Page	Part	Page	Part	Page
2W-8373 . . . . .	▶1928		477		1835		1019
	▶1929	2W-9300 . . . . .	1002		1839		1169
	▶1931		1004	3B-0551 . . . . .	30		1171
2W-8378 . . . . .	460		1007		31		1479
	467		1010		34		1836
	476		1012		35		1840
2W-8500 . . . . .	1028		1014		96		1926
	1029		1016		350		1968
	1030		1018		352		2145
2W-8503 . . . . .	1028		1021		706	3B-1925 . . . . .	190
	1030		1025		877		192
2W-8507 . . . . .	1028	2W-9301 . . . . .	477		924	3B-4501 . . . . .	1209
	1030		1004		925		1348
2W-8509 . . . . .	1028		1007	3B-0623 . . . . .	149		1374
	1029		1010		150		1391
	1030		1021		151		1398
	1030		1025		154		1402
2W-8510 . . . . .	1030		1874		166		1625
2W-8511 . . . . .	1035	2W-9513 . . . . .	1874		168		1798
2W-8512 . . . . .	1028	2W-9578 . . . . .	6		296		1800
	1030		13		297		1801
2W-8513 . . . . .	1028		▶1217		297		1801
	1029	2W-9579 . . . . .	▶1219	3B-0645 . . . . .	149		1802
	1030	2W-9580 . . . . .	9		150		1803
2W-8514 . . . . .	1028		17		151		1805
	1029		▶919		154		1865
	1030	2W-9584 . . . . .	852		166		1866
2W-8580 . . . . .	▶1045		854		168		1869
			862		296		2055
2W-8583 . . . . .	▶1045	2W-9585 . . . . .	852		297		2086
2W-8585 . . . . .	▶1046		854		907	3B-4502 . . . . .	554
2W-8602 . . . . .	1350		862		908		1209
	1353	2W-9588 . . . . .	8		909		1269
2W-8603 . . . . .	1350		16		912		1385
	1353		▶862		914		1387
	1418	2W-9592 . . . . .	5		916		1389
	1420		9		924		1396
2W-8604 . . . . .	1418		13		925		1400
	1420		16		929		1609
	1559		▶1975		931		1612
	1560		▶1976		933		1615
	2001	2W-9593 . . . . .	▶1977		934		1797
	2003		▶1978	3B-1915 . . . . .	194		1799
2W-8684 . . . . .	1350	2W-9598 . . . . .	6		200		1804
	1353		13		204	3B-4503 . . . . .	554
	1353		▶920		210		556
2W-8798 . . . . .	1353	2W-9635 . . . . .	1271		214		558
2W-8799 . . . . .	1353		1274		216		2086
2W-8802 . . . . .	1350		1289		218	3B-4504 . . . . .	26
	1353		1292		224		28
2W-8803 . . . . .	1350		▶1302		250		1040
	1353		1598		257		1047
2W-8810 . . . . .	▶1893	2W-9723 . . . . .	772		279		1057
2W-8811 . . . . .	1893		774		280		1079
2W-8862 . . . . .	▶8	2W-9724 . . . . .	772		301		1087
2W-8868 . . . . .	▶12	2W-9725 . . . . .	▶772		348		1097
2W-8888 . . . . .	434		773		354		1105
2W-8894 . . . . .	110	2W-9726 . . . . .	6		447		1113
2W-8956 . . . . .	1605		13		457		1122
	▶1794		▶773		476		1130
2W-9063 . . . . .	994	2W-9727 . . . . .	774		496		1144
	996	2W-9728 . . . . .	▶774		500		1152
	998		776		503		1865
	1000	2W-9729 . . . . .	9		506		1871
2W-9209 . . . . .	467		17		510		2055
	470		21		574		2085
	473		22		690	3B-4505 . . . . .	24
2W-9210 . . . . .	603		▶776		693		26
2W-9215 . . . . .	2063		▶777		773		28
	2077				776		1627
2W-9217 . . . . .	2063				777		1635
	2077				1002		1637
2W-9228 . . . . .	2118				1012		1638
2W-9299 . . . . .	457				1014		1640
	460	3A-3692 . . . . .	308		1016		1643
	467						

# PART NUMBER INDEX

Part	Page	Part	Page	Part	Page	Part	Page
3B-4506 . . . . .	1646 26 28 52 621 624 627 1208 1804	3B-7255 . . . . .	1625		774	3E-4352 . . . . .	301
		3B-7265 . . . . .	575		778		526
			590	3D-2992 . . . . .	1524		1474
			591		521	3E-4354 . . . . .	1481
		3B-7266 . . . . .	593		580	3E-4365 . . . . .	714
			576		582		740
		3B-7270 . . . . .	578	3D-4603 . . . . .	1271	3E-4367 . . . . .	1847
			517		1274		1870
			521		1277	3E-5394 . . . . .	1431
3B-4507 . . . . .	621		523		1279		1435
	624		580		1281	3E-5494 . . . . .	1428
	627		582		1283		1430
	714		588		1285	3E-5503 . . . . .	1867
	719		1530		1287		1871
	721		1532		1289	3E-6477 . . . . .	1350
	740	3B-7272 . . . . .	845		1292		1794
	744		849		1303		1795
3B-4510 . . . . .	1208	3B-7275 . . . . .	1385		1596	3E-6489 . . . . .	▶ 1575
3B-4604 . . . . .	1209		1393		1598		1887
3B-4605 . . . . .	1040		1396	3D-7805 . . . . .	515	3E-6916 . . . . .	301
	1047		1400	3D-9777 . . . . .	467		871
	1057	3B-7276 . . . . .	1630		470		873
	1079		1633		473		1473
	1087	3B-7277 . . . . .	658	3E-0125 . . . . .	1748	3E-7298 . . . . .	1623
	1097	3B-7329 . . . . .	603	3E-0127 . . . . .	1748	3E-7404 . . . . .	1526
	1105	3B-7728 . . . . .	1526		1782		1530
	1113		1528	3E-0128 . . . . .	1748	3E-7430 . . . . .	1524
	1122	3B-7733 . . . . .	1378		1782		1526
	1130		1382	3E-0129 . . . . .	1748		1528
	1152	3B-7744 . . . . .	850		1782		1530
	1161	3B-7745 . . . . .	518	3E-0130 . . . . .	1748		1532
	1600		520		1782		1534
	1603		1526	3E-0131 . . . . .	1748		1537
	1874		1528		1782		1539
3B-4615 . . . . .	467		1534	3E-0132 . . . . .	1748		1541
	470		1537		1782		1545
3B-4618 . . . . .	31		1539	3E-0133 . . . . .	1748		1547
	35		1541		1782		1557
	38		1543	3E-0134 . . . . .	1748	3E-7769 . . . . .	1658
3B-4621 . . . . .	734		1545		1782	3E-7771 . . . . .	1659
	742		1547	3E-0135 . . . . .	1748		1662
3B-6487 . . . . .	2007		1549		1782		1665
	2009		1551	3E-0136 . . . . .	1748		1668
	2081		1553		1782		1671
3B-6491 . . . . .	1532		1555	3E-0137 . . . . .	1748		1724
3B-6492 . . . . .	1483	3B-7750 . . . . .	656		1782		1727
	1487	3B-7866 . . . . .	851	3E-0138 . . . . .	1748		1730
	1493	3B-8453 . . . . .	198		1782		1733
	1495		202	3E-0139 . . . . .	1748		1736
3B-6498 . . . . .	1526		206		1782		1739
	1528		208	3E-0140 . . . . .	1748		1742
3B-6499 . . . . .	658		212		1782	3E-7775 . . . . .	1652
3B-6552 . . . . .	843		220	3E-0141 . . . . .	1748		1655
	1376		222		1782		1655
	1378		226	3E-0142 . . . . .	1748	3E-7886 . . . . .	▶ 1576
	1380		228		1782		1584
	1382		238	3E-0144 . . . . .	1748		1975
	1491		240		1782		1977
	1493		242	3E-0145 . . . . .	1748	3E-8557 . . . . .	1847
	1499		245		1782	3E-8558 . . . . .	1870
	1502		253	3E-0146 . . . . .	1748	3E-9865 . . . . .	1345
	1896		260		1782		1821
	1897		262	3E-3365 . . . . .	1623		1822
	2007		756		1819		1823
	2009		758	3E-3371 . . . . .	1566		1824
	2081		760		1567		1825
3B-6555 . . . . .	525	3B-8488 . . . . .	52		1573		1826
	580	3B-8489 . . . . .	52		1574		1827
	582	3B-8695 . . . . .	1826		1575		2039
3B-6556 . . . . .	658	3D-2824 . . . . .	310		1839		2042
3B-6753 . . . . .	1850		651	3E-3386 . . . . .	1878		2045
3B-6768 . . . . .	1621		697	3E-3389 . . . . .	1993		2048
	1623		770		1994		2051
	2011		772		1995	3F-0379 . . . . .	1652

# PART NUMBER INDEX

Part	Page	Part	Page	Part	Page	Part	Page
	1658		1612		1191		1879
	1674		1615		1192		1882
	1679		1679		1194		1884
	1684		1680		1235		1886
	1689		1689		1351		1896
	1694		1694		1353		1919
	1699		1699		1588		1921
	1703		1703		2134		1933
	1706		1706		2135		1937
	1712		1707	3J-5389 . . . . .	301		1938
	1720		1712		310		1941
	1724		1720		647		1948
	1727		1761		710		1950
	1733	3H-3681 . . . . .	1679		762		1951
	1739		1680		764		1982
	1761		1689		852		1984
	1764		1694		854		1986
	1767		1699		856		2005
3F-1357 . . . . .	748		1704		860		2007
3F-1358 . . . . .	726		1706		862		2009
3F-1417 . . . . .	282		1707		868		2081
3F-2065 . . . . .	534		1712		873		2083
	556		1716		1472	3J-7355 . . . . .	1376
	558		1721	3J-5390 . . . . .	652		1378
	571		1754	3J-7311 . . . . .	1903		1380
	797	3H-4656 . . . . .	656		1954		1382
	1374		662	3J-7352 . . . . .	1896		1483
	1396		664		1897		1485
	1398		666		1919		1487
	1423		668		1921		1489
	1425		670		1933		1491
	1785		680		1941		1493
	1786		682		1943		1495
	1787	3H-4976 . . . . .	979		1948		1497
	1808	3H-5366 . . . . .	1348		1952		1499
	1829		1874		1954		1502
3F-5289 . . . . .	24	3H-5844 . . . . .	726		2005		1504
3F-6166 . . . . .	2005	3H-5939 . . . . .	604		2007		1899
	2083		784		2009		1901
3F-7674 . . . . .	1850		787		2012		1905
3F-9556 . . . . .	1801		790		2013		1907
	1802		2129		2015		1913
	1803	3H-6591 . . . . .	52		2016		1915
	1805	3H-6624 . . . . .	891		2081		1919
3H-0107 . . . . .	190		893		2083		1921
	192		895	3J-7354 . . . . .	149		1923
3H-0240 . . . . .	1271	3H-7131 . . . . .	457		154		1924
	1274		476		166		1926
	1277		500		168		1933
	1279		503		295		1935
	1281		506		298		1937
	1283		510		301		1938
	1285	3H-7654 . . . . .	348		310		1950
	1287		354		652		1952
	1289	3H-8027 . . . . .	734		690		1956
	1292		736		802		1968
	1596		738		1023		1970
	1598		742		1169		1971
3H-0510 . . . . .	1648	3H-9571 . . . . .	50		1171		1973
	1650	3H-9572 . . . . .	50		1182	3J-7719 . . . . .	1627
	1651	3H-9574 . . . . .	50		1185		1635
3H-1396 . . . . .	734	3J-1577 . . . . .	816		1188		1638
3H-2137 . . . . .	1423	3J-1907 . . . . .	310		1191		1640
	1425		693		1194		1643
3H-2617 . . . . .	603		750		1198		1646
3H-2652 . . . . .	612		752		1199	3J-9173 . . . . .	467
3H-3243 . . . . .	1247		754		1200		470
	1248		766		1203		473
3H-3433 . . . . .	517		769		1363	3J-9196 . . . . .	428
	518		1169		1364		430
	520		1171		1479		432
	521		1182		1485		434
	523		1185		1489		436
3H-3680 . . . . .	1609		1188		1510		438

# PART NUMBER INDEX

Part	Page	Part	Page	Part	Page	Part	Page
3K-0360 . . . . .	94		1664		1778		1707
	285		1667	3L-7634 . . . . .	1752		1713
	310		1670		1753		1721
	314		1674		1770		1724
	318		1679		1771		1727
	319		1684		1772		1730
	643		1689		1773		1733
	645		1694		1774		1736
	697		1699		1775		1739
	1007		1703		1776		1742
	1010		1706		1777		1762
	1012		1712	3L-8187 . . . . .	1778	3N-4128 . . . . .	►50
	1016		1720		1620		52
	1018		1723		1621	3N-4130 . . . . .	►52
	1182		1726		1623		381
	1185		1729		1792		382
	1188		1732		1793		383
	1189		1735		1814		384
	1191		1738		1866		386
	1194		1741		1867		387
	1235		1761		1869		388
	1835	3L-3825 . . . . .	1423		1870		389
	1839		1425		1894	3N-4131 . . . . .	►423
	2132	3L-3869 . . . . .	658		2054	3N-4132 . . . . .	423
	2134		660	3L-8992 . . . . .	1471	3N-4411 . . . . .	2007
3K-0810 . . . . .	1306		662	3L-8993 . . . . .	958		2009
3K-2593 . . . . .	1297	3L-4566 . . . . .	1348		1483		2081
	1298		1350		1487		2063
	2130		1414		1493	3N-4416 . . . . .	2077
3K-2889 . . . . .	333		1416		1497		►2088
3K-4897 . . . . .	1209		1418		1502		2089
3K-6060 . . . . .	1497		1420		1504	3N-4418 . . . . .	1875
	1504	3L-5389 . . . . .	467		1630	3N-4420 . . . . .	1875
	2034		470		1633	3N-4427 . . . . .	1875
3K-6168 . . . . .	1271	3L-6521 . . . . .	1890	3N-1283 . . . . .	561		1876
	1274		1891		566		2062
	1277	3L-6746 . . . . .	959	3N-1284 . . . . .	561		2063
	1279	3L-6747 . . . . .	959		566		2077
	1281	3L-6749 . . . . .	959	3N-1285 . . . . .	561		2079
	1283	3L-6759 . . . . .	1031	3N-1287 . . . . .	561	3N-4512 . . . . .	►484
	1285		1033	3N-1328 . . . . .	780	3N-4513 . . . . .	►485
	1287		1049		781	3N-4514 . . . . .	525
	1289		1059	3N-1341 . . . . .	784	3N-4516 . . . . .	525
	1292		1065		787	3N-4522 . . . . .	►486
	1596		1072		790	3N-4565 . . . . .	1875
	1598		1080	3N-1400 . . . . .	552	3N-4579 . . . . .	552
	2098		1089		554		554
3K-6662 . . . . .	190		1098		556		556
	192		1106		558		558
3K-6905 . . . . .	1304		1114		571		1393
3K-7543 . . . . .	1322		1123		1348		1396
	2066		1132	3N-1551 . . . . .	279		1400
3K-8106 . . . . .	1355		1145		280		1485
	1356		1153	3N-1968 . . . . .	1520		1971
	1801		1205		1522		1972
	1805	3L-6836 . . . . .	1771	3N-2419 . . . . .	1396		2007
3K-8460 . . . . .	310		1772		1786		2009
	802		1774	3N-2652 . . . . .	►604		2081
3K-8782 . . . . .	1625		1776	3N-3297 . . . . .	543	3N-4622 . . . . .	782
	2017		1777	3N-3299 . . . . .	543		1394
	2021	3L-7314 . . . . .	1345	3N-3300 . . . . .	543		1483
	2025		1412	3N-3469 . . . . .	2118		1485
	2029		1414	3N-3763 . . . . .	1659		1487
	2033		1416		1662		1489
	2038		1418		1665		1491
	2041		1420		1667		1493
	2044	3L-7604 . . . . .	1752		1670		1495
	2047		1753		1675		1497
	2050		1770		1680		1499
3K-9770 . . . . .	1850		1771		1685		1502
3L-1337 . . . . .	2011		1773		1690		1504
3L-2227 . . . . .	422		1774		1695		2007
3L-3380 . . . . .	1658		1775		1700		2009
	1661		1776		1704		2081

# PART NUMBER INDEX

Part	Page	Part	Page	Part	Page	Part	Page
3N-4653 . . . . .	▶1331		2063		734		2079
3N-4654 . . . . .	▶1333		2077		736	3N-9016 . . . . .	▶1889
3N-4792 . . . . .	1947		2079		738	3N-9124 . . . . .	979
3N-4793 . . . . .	▶487	3N-5989 . . . . .	2063		740	3N-9259 . . . . .	658
3N-4829 . . . . .	845		2066		742		672
	850		2077		744		674
3N-4868 . . . . .	▶488		2083	3N-8446 . . . . .	734		676
3N-4869 . . . . .	483	3N-5990 . . . . .	1864		742	3N-9270 . . . . .	1208
	▶489	3N-5992 . . . . .	1864		744	3N-9272 . . . . .	1208
3N-4905 . . . . .	▶490	3N-6504 . . . . .	1173	3N-8447 . . . . .	734	3N-9606 . . . . .	617
3N-4907 . . . . .	▶491	3N-7012 . . . . .	2090		742		621
3N-4911 . . . . .	525	3N-7057 . . . . .	517		744		624
3N-5611 . . . . .	2017		518	3N-8448 . . . . .	734		627
	2021		520		742		632
	2025		521		744		636
	2029		523	3N-8451 . . . . .	734		641
	2033		580	3N-8452 . . . . .	734	3N-9610 . . . . .	621
3N-5714 . . . . .	1348		582		742		624
3N-5738 . . . . .	1302		588		744		627
	1303	3N-7193 . . . . .	1889	3N-8453 . . . . .	734	3N-9626 . . . . .	621
3N-5739 . . . . .	1302	3N-7212 . . . . .	1889		736	3N-9629 . . . . .	624
	1303	3N-7223 . . . . .	1524		738	3P-0647 . . . . .	986
3N-5744 . . . . .	1271	3N-7229 . . . . .	2007		742	3P-0649 . . . . .	447
	1274		2009	3N-8455 . . . . .	734		448
	1277		2081		742		476
	1279	3N-7234 . . . . .	1896		744		510
	1281		1897	3N-8456 . . . . .	734	3P-0654 . . . . .	312
	1283		2007		736		345
	1285	3N-7281 . . . . .	1199		738		347
	1287	3N-7361 . . . . .	▶492		742		348
	1289	3N-7471 . . . . .	699	3N-8462 . . . . .	719		350
	1292		701		721		352
	1596	3N-8123 . . . . .	50		734		354
	1598	3N-8124 . . . . .	50		742		356
3N-5751 . . . . .	1277	3N-8125 . . . . .	50		744		358
	1279	3N-8213 . . . . .	719	3N-8463 . . . . .	714		360
	1292		721		719	3P-0655 . . . . .	496
3N-5752 . . . . .	1306	3N-8215 . . . . .	734		721		500
3N-5755 . . . . .	1271		736		734		503
	1274		738		736		506
	1277		742		738		510
	1279	3N-8216 . . . . .	734		740	3P-0657 . . . . .	574
	1281		736		742	3P-1156 . . . . .	1023
	1283		738		744	3P-1896 . . . . .	100
	1285		742	3N-8464 . . . . .	734		102
	1287	3N-8217 . . . . .	719		736		907
	1289		721		742		908
	1292	3N-8218 . . . . .	719	3N-8466 . . . . .	734		909
	1596		721		736		912
	1598	3N-8269 . . . . .	2062		738		914
3N-5757 . . . . .	1302		2063		742		916
	1303		2077	3N-8467 . . . . .	734		924
3N-5762 . . . . .	1982		2079	3N-8468 . . . . .	734		925
3N-5977 . . . . .	1877	3N-8271 . . . . .	▶1789		742		929
	1878	3N-8275 . . . . .	▶2089		744		931
3N-5979 . . . . .	2017	3N-8276 . . . . .	▶2090	3N-8469 . . . . .	734		933
	2021	3N-8277 . . . . .	▶2119		742		934
	2025	3N-8278 . . . . .	1820		744	3P-2021 . . . . .	576
	2029		2013	3N-8470 . . . . .	734		580
	2033		2068	3N-8593 . . . . .	1850		1526
	2038	3N-8403 . . . . .	1281	3N-8888 . . . . .	▶621		1528
	2041		1283		623	3P-4347 . . . . .	190
	2044		1289	3N-8889 . . . . .	▶623		192
	2047	3N-8441 . . . . .	734	3N-8890 . . . . .	▶624	3P-6048 . . . . .	1198
	2050		742		626		1361
3N-5986 . . . . .	2062		744	3N-8891 . . . . .	▶626		1363
	2063	3N-8442 . . . . .	734	3N-8892 . . . . .	▶627		1364
	2077		742		629		1485
	2079		744	3N-8893 . . . . .	▶629		1489
3N-5987 . . . . .	2062	3N-8444 . . . . .	734	3N-9011 . . . . .	▶1895		2011
	2063		736	3N-9012 . . . . .	1322	3P-6061 . . . . .	301
	2077		738		▶1864		656
	2079		742	3N-9015 . . . . .	▶1875		658
3N-5988 . . . . .	2062	3N-8445 . . . . .	714		2062		660

# PART NUMBER INDEX

Part	Page	Part	Page	Part	Page	Part	Page
	662		240	3T-0850 . . . . .	1757	3T-3422 . . . . .	1652
	664		242		1759		1655
	666		245	3T-0858 . . . . .	1757		1661
	668		249		1759		1664
	670		253	3T-0862 . . . . .	1757		1667
	672		256		1759		1670
	674		260	3T-0863 . . . . .	1757		1674
	676		262		1759		1679
	678		264	3T-0864 . . . . .	1757		1684
	680		266		1759		1689
	682		268	3T-0865 . . . . .	1757		1694
	690		270		1759		1699
	693		272	3T-0867 . . . . .	1757		1703
	717	3S-1546 . . . . .	730		1759		1706
	724		732	3T-1415 . . . . .	1408		1712
	728		748	3T-2159 . . . . .	2093		1720
	730	3S-2093 . . . . .	1345		2094		1723
	732		1448	3T-2162 . . . . .	2094		1726
	746		1449	3T-2164 . . . . .	2092		1729
	748		1454		2093		1732
	756		1455	3T-2646 . . . . .	▶1673		1735
	758		1587		1750		1738
	760		1817		1752		1741
	1479		1818	3T-2768 . . . . .	1757		1761
3R-6569 . . . . .	1271		1847		1759		1764
	1274		1887	3T-2769 . . . . .	1757		1767
	1277		1950		1759	3T-3423 . . . . .	1658
	1279		1971	3T-3043 . . . . .	1870		1659
	1281		1972	3T-3106 . . . . .	1679		1661
	1283		2011		1689		1662
	1285		2013		1694		1664
	1287		2017		1699		1665
	1289		2021		1703		1667
	1292		2025		1706		1668
	1596		2029		1712		1670
	1598		2033		1720		1671
3R-8797 . . . . .	1655		2038		1761		1674
	1662		2041	3T-3270 . . . . .	1621		1675
	1665		2044		1623		1679
	1667		2047	3T-3370 . . . . .	1614		1680
	1670		2050	3T-3418 . . . . .	1658		1684
	1730		2066		1661		1685
	1736		2068		1664		1689
	1741	3S-3074 . . . . .	404		1667		1690
3R-8801 . . . . .	1615		2132		1670		1694
	1658	3S-6049 . . . . .	1327		1674		1695
	1662	3S-6050 . . . . .	1327		1679		1699
	1665	3S-8313 . . . . .	703		1684		1700
	1667		705		1689		1703
	1670		891		1694		1704
	1675		893		1712		1706
	1680		895		1720		1707
	1685	3S-8664 . . . . .	38		1726		1712
	1690		784		1729		1713
	1695		787		1738		1720
	1703		790		1741		1721
	1707	3S-8665 . . . . .	850	3T-3419 . . . . .	1675		1723
	1713	3S-9643 . . . . .	320		1680		1726
	1720		322		1685		1727
	1724		643		1690		1729
	1727		645		1713		1730
	1730		646		1721		1732
	1733		647	3T-3420 . . . . .	1675		1733
	1736		648		1680		1735
	1739		649		1685		1736
	1742		650		1690		1738
	1762	3T-0842 . . . . .	1757		1695		1739
3R-9595 . . . . .	1489		1759		1700		1741
3S-1099 . . . . .	2005	3T-0844 . . . . .	1757		1704		1742
	2083		1759		1707		1761
3S-1223 . . . . .	301	3T-0847 . . . . .	1757		1713		1762
	910		1759		1721	3T-3424 . . . . .	1658
	1480	3T-0849 . . . . .	1757	3T-3421 . . . . .	▶1609		1659
3S-1307 . . . . .	238		1759		1699		1661



# PART NUMBER INDEX

Part	Page	Part	Page	Part	Page	Part	Page
	1662		1767	3T-4711 . . . . .	1658		1684
	1664	3T-3453 . . . . .	1625		1720		1689
	1665	3T-3678 . . . . .	565		1723		1694
	1667	3T-3679 . . . . .	552		1761		1699
	1668		▶565	3T-4712 . . . . .	1761		1703
	1670	3T-3732 . . . . .	566	3T-4716 . . . . .	1757		1706
	1671	3T-3733 . . . . .	554		1759		1712
	1674		▶566	3T-5051 . . . . .	▶1612		1720
	1675	3T-3734 . . . . .	556		1674		1723
	1679		▶568		1679		1724
	1680	3T-3735 . . . . .	534		1684		1726
	1684		558		1706		1727
	1685		▶569	3T-5343 . . . . .	1670		1729
	1689	3T-3848 . . . . .	1204		1700		1730
	1690		1893		1707		1732
	1694		1941		1724		1733
	1695		1943		1733		1735
	1699		1948		1736		1736
	1700	3T-4278 . . . . .	1319	3T-5433 . . . . .	1428		1738
	1703	3T-4696 . . . . .	1455	3T-5440 . . . . .	1699		1739
	1704	3T-4700 . . . . .	1695		1703		1742
	1706		1700		1706	3T-9524 . . . . .	1658
	1707		1704		1723		1662
	1712		1707		1732		1665
	1713		1762		1735		1667
	1716	3T-4701 . . . . .	1761	3T-5962 . . . . .	1716		1670
	1720	3T-4702 . . . . .	1761		1754		1674
	1721	3T-4703 . . . . .	1761	3T-6354 . . . . .	1307		1679
	1723	3T-4704 . . . . .	▶1611		1309		1684
	1726		1673		1311		1689
	1727	3T-4705 . . . . .	1761		1313		1694
	1729	3T-4706 . . . . .	1761		1316		1699
	1730	3T-4709 . . . . .	1561	3T-7017 . . . . .	1757		1703
	1732		1658		1759		1706
	1733		1661	3T-7020 . . . . .	1757		1712
	1735		1664		1759		1720
	1736		1674	3T-7021 . . . . .	1757		1724
	1738		1679		1759		1727
	1739		1684	3T-7022 . . . . .	1757		1730
	1741		1689		1759		1733
	1742		1694	3T-7025 . . . . .	1757		1736
	1755		1699		1759		1739
	1761		1703	3T-7582 . . . . .	568		1741
	1762		1706	3T-7583 . . . . .	569	3T-9525 . . . . .	▶1561
3T-3433 . . . . .	1675		1712	3T-8635 . . . . .	▶1614		1658
	1680		1720		1716		1661
	1685		1723		1754		1664
	1690		1726	3T-8943 . . . . .	▶1674		1667
	1695		1729		1773		1670
	1700		1732	3T-8948 . . . . .	▶1679		1674
	1704		1735		▶1684		1679
	1707		1738	3T-8949 . . . . .	▶1689		1684
	1721		1761		1711		1689
	1762	3T-4710 . . . . .	1561	3T-8953 . . . . .	▶1694		1694
3T-3434 . . . . .	1652		1658		1719		1699
	1655		1661	3T-8954 . . . . .	▶1699		1703
	1659		1664		▶1703		1706
	1661		1674		1775		1712
	1664		1679		1779		1720
	1667		1684	3T-8960 . . . . .	▶1706		1723
	1670		1689		1778		1726
	1675		1694	3T-8967 . . . . .	▶1711		1729
	1680		1699		▶1712		1732
	1685		1703	3T-9494 . . . . .	1561		1735
	1690		1706		1658		1738
	1713		1712		1659		1741
	1723		1720		1661	3V-2431 . . . . .	172
	1726		1723		1662		173
	1729		1726		1664		174
	1732		1729		1665		175
	1735		1732		1668		176
	1738		1735		1671		177
	1741		1738		1674		178
	1764		1761		1679		179

# PART NUMBER INDEX

Part	Page	Part	Page	Part	Page	Part	Page
	180		1518		354		1584
3V-3308 . . . . .	301		1798		356		1585
	311		1800		358		1835
	604		2034		360		1839
	690	4B-2047 . . . . .	1307	4B-2479 . . . . .	897		1975
	809		1309		899		1977
	813		1311	4B-3140 . . . . .	350	4B-4283 . . . . .	30
	832		1322		352		31
	834		1351		356		34
	835		1353		358		35
	840		1385		360	4B-4716 . . . . .	50
	852		1387		479	4B-4721 . . . . .	50
	854		1389		480	4B-4754 . . . . .	52
	862		1396		496	4B-4758 . . . . .	50
	1479		1400		500	4B-4792 . . . . .	52
	1630		1414		503	4B-4810 . . . . .	52
	1633		1416		506	4B-4845 . . . . .	28
3V-6153 . . . . .	30		1418		510	4B-4863 . . . . .	1209
	34		1420	4B-3388 . . . . .	238		1345
	38		1797		240		1348
	1516		1799		242		1355
	1518		1802		245		1356
	1520		1803		249		1516
	1522		1996		253		1518
	1941		1998		256		1801
	1948		2000		260		1805
	2005		2034		262		1866
	2083		2066		264		1869
3W-4871 . . . . .	2050	4B-2049 . . . . .	1609		961		1879
			1611		964		1882
			1612	4B-3612 . . . . .	964		1884
			1615	4B-3643 . . . . .	1297		1886
			1652		1298		2034
			1655	4B-4043 . . . . .	91		2085
4B-0831 . . . . .	1182		1659		92	4B-5324 . . . . .	1416
	1185		1662		94		1869
	1188		1665		96		1894
4B-1218 . . . . .	1269		1668		98		2030
4B-1226 . . . . .	1351		1671		746		2034
4B-1227 . . . . .	552		1674	4B-4274 . . . . .	1322		2052
	554		1684		1351		2054
4B-1230 . . . . .	1716		1724		1609		2086
	1754		1727		1611	4B-7270 . . . . .	52
4B-1233 . . . . .	1385		1730		1612	4B-7770 . . . . .	31
	1387		1733		1615		35
	1389		1736		1679		38
	1396		1739		1706	4B-8407 . . . . .	91
	1400		1742		1713		92
	1797		1748		1721		94
	1799		1764		1802		96
4B-1243 . . . . .	552		1767		1803		98
	554		1782		1828		190
	556		1875		1865		192
	558		1876		1866		314
	571		1877		1869		318
4B-2041 . . . . .	1865		1878		1877		319
	1867		1891		1878		380
	1870		1895		2017		605
	1893		2017		2021		688
	2018		2021		2025		706
	2022		2025		2029		708
	2026		2029		2033		762
	2055		2033		2055		764
	2085		2063	4B-4276 . . . . .	1040		2131
	2086		2066		1716		2132
4B-2043 . . . . .	1313		2071		1754		2136
	1316		2075	4B-4278 . . . . .	629	4B-8701 . . . . .	1850
	1319		2077	4B-4280 . . . . .	1609	4B-9782 . . . . .	651
	1345		2079		1612		770
	1374		2083		1615		1004
	1391	4B-2363 . . . . .	105		1761		1023
	1398		348	4B-4281 . . . . .	1576		1025
	1402		350		1578		1235
	1516		352		1583		1237

4

# PART NUMBER INDEX

Part	Page	Part	Page	Part	Page	Part	Page
	1239		1504		1806		660
4C-9592 . . . . .	2149	4F-0411 . . . . .	778		1937		672
4C-9594 . . . . .	2149	4F-3765 . . . . .	348		1945		674
4C-9595 . . . . .	2149		350	4F-8184 . . . . .	1374		676
4C-9596 . . . . .	2149		352		1396		678
4C-9598 . . . . .	2149		354		1398	4J-7533 . . . . .	728
4C-9601 . . . . .	2149		481	4F-8711 . . . . .	1351		730
4C-9603 . . . . .	2149		482		1353		732
4C-9605 . . . . .	2149	4F-4584 . . . . .	897		1412		748
4D-0449 . . . . .	172		899		1414	4K-0149 . . . . .	96
	173	4F-4879 . . . . .	30		1416	4K-0367 . . . . .	331
	174		34		1418		333
	175		38	4F-9351 . . . . .	574		616
	176		1516	4H-0002 . . . . .	50		631
	177		1518	4H-0019 . . . . .	52		635
	178	4F-7226 . . . . .	320	4H-1722 . . . . .	994		639
	179		322		996	4K-0684 . . . . .	1850
	180		1213		998	4K-5175 . . . . .	1607
4D-0514 . . . . .	31		1217		1000	4K-6498 . . . . .	1351
	35		1219	4H-1860 . . . . .	805	4K-9097 . . . . .	513
	129		1220	4H-3157 . . . . .	26		534
	153		1221		28		536
	166		1223	4H-3283 . . . . .	56	4K-9841 . . . . .	728
	168		1224		58	4L-1250 . . . . .	2035
	169		1228		60	4L-1848 . . . . .	670
	198		1229		62		672
	202		1230		64		674
	206		1231		66		676
	208		1232		68		678
	212		1233		70		680
	220	4F-7387 . . . . .	301	4H-6996 . . . . .	603		682
	222		690	4H-7869 . . . . .	41	4L-2729 . . . . .	1659
	226		693		42		1662
	228		746		91		1665
	242		756		92		1668
	245		758		94		1671
	253		760		98		1713
	397		1479		314		1724
4D-1260 . . . . .	2021	4F-7389 . . . . .	656		318		1727
	2025		658		319		1730
	2041		660		1630		1733
	2044		662		1633		1736
4D-1322 . . . . .	968		664		1642		1739
	1049		666		1649		1742
	1059		668		1751		1762
	1080		670		1753	4L-3527 . . . . .	50
	1089		672		1780	4L-3862 . . . . .	623
	1098		674		1781		626
	1106		676		2132	4L-6155 . . . . .	1771
	1114		678	4H-8158 . . . . .	986		1772
	1123		680		988		1774
	1132		682	4J-0521 . . . . .	575		1776
	1145	4F-7957 . . . . .	897		578		1777
	1153		899		586	4L-6459 . . . . .	1532
4D-1836 . . . . .	1867		1169		588	4L-6665 . . . . .	420
	1871		1171		590		1850
4D-2303 . . . . .	1998		1271		593		1853
4D-3118 . . . . .	1627		1274	4J-4102 . . . . .	30		1854
	1635		1277		34		1855
	1637		1279		38	4L-8149 . . . . .	301
	1638		1281	4J-4144 . . . . .	1252		526
	1640		1283		1254		1474
	1643		1285	4J-4382 . . . . .	728	4L-8606 . . . . .	612
	1646		1287		732	4L-9600 . . . . .	668
4D-5668 . . . . .	1208		1289		748		670
4D-8948 . . . . .	1905		1292		865		674
	1907		1376		1004		676
	1913		1378		1007	4M-0189 . . . . .	1023
	1915		1380		1010		1761
	1971		1382		1021	4M-0200 . . . . .	1874
	1972		1508		1023	4M-1815 . . . . .	1609
4D-9517 . . . . .	1485		1509		1025		1611
	1489		1596	4J-5477 . . . . .	1161		1612
	1502		1598	4J-5627 . . . . .	658		1615

# PART NUMBER INDEX

Part	Page	Part	Page	Part	Page	Part	Page
	1733		1670		1661		1890
	1739		1674		1664		1891
4M-1827 . . . . .	1652		1675		1667		1893
	1655		1679		1670		1971
	1659		1680		1675		1972
	1661		1684		1680		2065
	1664		1685		1685		2069
	1675		1689		1690		2071
	1680		1690		1695		2073
	1685		1694		1700		2075
	1690		1695		1704	4M-6107 . . . . .	714
	1695		1699		1707		719
	1700		1700		1713		721
	1704		1703		1721		738
	1707		1706		1723		740
	1713		1707		1726		744
	1721		1712		1729	4M-6425 . . . . .	799
	1723		1720		1732	4M-6646 . . . . .	818
	1726		1723		1735		820
	1729		1726		1738		824
	1732		1729		1741		826
	1735		1732		1762	4M-6853 . . . . .	96
	1738		1735	4M-1868 . . . . .	1761		1770
	1741		1738	4M-1896 . . . . .	1659		1773
	1761		1741		1662		1775
	1764		1761		1665		1778
	1767		1764		1668		1779
4M-1828 . . . . .	1652		1767		1671	4M-6953 . . . . .	55
	1655	4M-1833 . . . . .	1680		1675	4M-8303 . . . . .	190
	1658		1690		1680		192
	1661		1695		1685		990
	1664		1700		1690		992
	1675		1704		1695	4N-0205 . . . . .	1516
	1680		1707		1700		1518
	1685		1713		1704	4N-0683 . . . . .	127
	1690		1721		1707		129
	1695		1762		1713		132
	1700	4M-1839 . . . . .	1761		1721		135
	1704	4M-1841 . . . . .	1761		1724		137
	1707	4M-1851 . . . . .	1675		1727		335
	1712		1680		1730		336
	1721		1685		1733		337
	1723		1690		1736		338
	1726		1695		1739		339
	1729		1700		1742		340
	1732		1704	4M-2442 . . . . .	784		341
	1735		1707		787		342
	1738		1713		790		381
	1741		1721	4M-3217 . . . . .	1716		382
	1761		1762		1754		383
	1764	4M-1853 . . . . .	1659	4M-3248 . . . . .	539		384
	1767		1661		541		386
4M-1829 . . . . .	1658		1664		545		387
	1675		1667		547		388
	1680		1670		573		389
	1685		1675	4M-5274 . . . . .	1609	4N-0684 . . . . .	803
	1690		1680		1612		805
	1695		1685	4M-5281 . . . . .	2145		807
	1700		1690	4M-5317 . . . . .	552	4N-0730 . . . . .	▶ 1468
	1703		1695		554	4N-0932 . . . . .	907
	1707		1700		556		908
	1712		1704		558		909
	1721		1707		1395		912
	1723		1713		1483		914
	1726		1721		1485		916
	1732		1723		1487		924
	1738		1726		1489		925
	1761		1729		1491		929
4M-1831 . . . . .	1652		1732		1493		931
	1655		1735		1495		933
	1658		1738		1497		934
	1661		1741		1499	4N-0933 . . . . .	96
	1664		1762		1502		98
	1667	4M-1854 . . . . .	1659		1504	4N-0996 . . . . .	348

# PART NUMBER INDEX

Part	Page	Part	Page	Part	Page	Part	Page
	350		772		2021	4P-5438 . . . . .	272
	352		774		2025	4P-5440 . . . . .	272
	354	4N-7521 . . . . .	1748		2029	4P-5490 . . . . .	287
4N-1059 . . . . .	1750		1782		2033	4P-5494 . . . . .	1194
	1752	4N-7556 . . . . .	1491		2057	4P-5495 . . . . .	1194
4N-1114 . . . . .	91		1493		2058	4P-5635 . . . . .	783
	92		1499		2059	4P-5637 . . . . .	541
	94		1502		2060	4P-5638 . . . . .	▶541
	96		▶1514		2061		551
	98	4N-9019 . . . . .	1481	4P-2163 . . . . .	301	4P-5766 . . . . .	▶783
4N-1320 . . . . .	301	4N-9404 . . . . .	1716		684	4P-5767 . . . . .	▶778
	315		1754		1477	4P-6407 . . . . .	1881
	318	4N-9681 . . . . .	31	4P-2521 . . . . .	167		1882
	319		35	4P-2586 . . . . .	▶1795		1885
	350		38	4P-2731 . . . . .	▶1621	4P-6409 . . . . .	26
	362	4N-9720 . . . . .	623		▶1623		28
	364		626	4P-2839 . . . . .	457	4P-6538 . . . . .	▶978
	605	4P-0692 . . . . .	301		460		1033
	652		308		467		1071
	654		495	4P-3003 . . . . .	6	4P-6857 . . . . .	1031
	688		526		13		1033
	706		528		▶432		1064
	708		530	4P-3429 . . . . .	824		1071
	1479		532	4P-3487 . . . . .	1168	4P-6859 . . . . .	1031
	2129		1016	4P-3563 . . . . .	301		1033
	2130		1174		308		1065
	2131		1178		684		1072
	2134		1194		697	4P-6860 . . . . .	1031
	2136		1239		1477		1033
	2138		1474	4P-3784 . . . . .	479		1065
4N-1650 . . . . .	44		1477	4P-3818 . . . . .	815		1072
	46	4P-0693 . . . . .	1174	4P-3819 . . . . .	815	4P-6861 . . . . .	1031
	47		1178	4P-3897 . . . . .	301		1033
	48		1194		686		1065
	49		1237		1478		1072
	306		1239	4P-3966 . . . . .	24	4P-6863 . . . . .	1031
	308	4P-0726 . . . . .	301	4P-4431 . . . . .	1064		1033
	1476		684		1071		1065
4N-3311 . . . . .	783		1478	4P-4616 . . . . .	301		1072
	784	4P-0870 . . . . .	309		684	4P-6864 . . . . .	1065
	787	4P-1491 . . . . .	301		1478		1072
	790		860	4P-4642 . . . . .	301	4P-6867 . . . . .	1031
4N-3411 . . . . .	1483		1472		1476		1033
	1485	4P-1531 . . . . .	301	4P-4890 . . . . .	536		1065
	1487		860	4P-4926 . . . . .	▶534		1072
	1489		1472		▶536	4P-6869 . . . . .	967
	1491	4P-1703 . . . . .	1962	4P-4927 . . . . .	534	4P-6927 . . . . .	1065
	1493		1966		536		1072
	1495	4P-1931 . . . . .	1018	4P-4930 . . . . .	1348	4P-7068 . . . . .	1836
	1497	4P-1932 . . . . .	1194	4P-5020 . . . . .	1295		1840
	1499	4P-2007 . . . . .	301		▶1508	4P-7263 . . . . .	▶143
	1502		871		1604	4P-7442 . . . . .	▶575
	1504		1473	4P-5090 . . . . .	272	4P-7581 . . . . .	308
4N-3830 . . . . .	▶977	4P-2160 . . . . .	2017	4P-5091 . . . . .	272		504
	979		2021	4P-5211 . . . . .	333		507
	982		2025	4P-5242 . . . . .	575		523
4N-3986 . . . . .	▶1313		2029		578		1806
	▶1316		2033		586		1817
	1322		2057		588		1818
4N-3987 . . . . .	▶1319		2058		590		1835
	1322		2059		593		1839
4N-4405 . . . . .	1716		2060	4P-5284 . . . . .	▶1348		1866
	1755		2061	4P-5285 . . . . .	1348		1869
	1757	4P-2161 . . . . .	2017	4P-5295 . . . . .	778		1931
	1759		2021	4P-5296 . . . . .	301		1940
4N-4519 . . . . .	972		2025		684		1946
4N-4520 . . . . .	972		2029		1478		1960
	973		2033	4P-5297 . . . . .	301		1962
	977		2057		684		1966
4N-4523 . . . . .	972		2058		1478	4P-7680 . . . . .	301
	973		2059	4P-5426 . . . . .	20		871
	977		2060		22		873
4N-5834 . . . . .	651		2061		▶291		1473
	770	4P-2162 . . . . .	2017	4P-5437 . . . . .	272	4P-8098 . . . . .	1506

# PART NUMBER INDEX

Part	Page	Part	Page	Part	Page	Part	Page
4P-8134 . . . . .	308		473		62	4W-1478 . . . . .	918
	1806	4V-9782 . . . . .	1021		64		919
	1835	4W-0085 . . . . .	979		66		920
	1839	4W-0090 . . . . .	467		68		926
	1867		470		70		927
	1871		473	4W-0761 . . . . .	56		930
	1931	4W-0095 . . . . .	4		58		935
	1940		8		60		939
	1946		12		62		940
	1962		15	4W-0762 . . . . .	64		944
	1966		▶165		66		945
4P-8144 . . . . .	1065	4W-0096 . . . . .	467		68		948
	1072		470		70		2133
4P-8463 . . . . .	1530		473	4W-0765 . . . . .	64	4W-1522 . . . . .	▶2
	1557	4W-0156 . . . . .	▶2004		66	4W-1528 . . . . .	▶92
4P-9075 . . . . .	1233	4W-0288 . . . . .	467	4W-0766 . . . . .	68	4W-1529 . . . . .	4
4P-9076 . . . . .	▶1167		470		70		8
	1229		473	4W-0803 . . . . .	64		12
4P-9077 . . . . .	1230	4W-0289 . . . . .	467		66		15
	1231		470		68		22
4P-9226 . . . . .	308		473		70		▶94
	450	4W-0290 . . . . .	467	4W-1035 . . . . .	6	4W-1534 . . . . .	▶2
4P-9312 . . . . .	744		470		9	4W-1568 . . . . .	▶1834
4R-8658 . . . . .	453		473		13	4W-1703 . . . . .	▶794
4R-9437 . . . . .	631	4W-0334 . . . . .	467		17	4W-1704 . . . . .	▶795
4S-1936 . . . . .	1201		470		▶434		1378
4S-1962 . . . . .	1425		473		▶436		1382
4S-1988 . . . . .	1438	4W-0335 . . . . .	391	4W-1222 . . . . .	820	4W-1705 . . . . .	797
	2052		392		826	4W-1706 . . . . .	▶796
4S-4857 . . . . .	1958	4W-0343 . . . . .	468	4W-1223 . . . . .	814		1385
	1962		471		820	4W-1772 . . . . .	897
	1964		473		826		899
	1966	4W-0506 . . . . .	2062	4W-1224 . . . . .	814	4W-1773 . . . . .	897
4S-5575 . . . . .	1491		2063		820		899
4S-5719 . . . . .	310		2077	4W-1225 . . . . .	826	4W-1774 . . . . .	4
	496		2079		▶820		12
4S-5882 . . . . .	455	4W-0507 . . . . .	2063		924		▶47
	457		2077		925	4W-1775 . . . . .	▶797
	460	4W-0508 . . . . .	2063	4W-1232 . . . . .	918		1169
	463		2066		▶924	4W-1901 . . . . .	1506
	467		2077		946	4W-1923 . . . . .	897
	470		2083		947		899
	473	4W-0509 . . . . .	1895		948	4W-1954 . . . . .	891
	476		1896	4W-1233 . . . . .	918		893
	544		1897		▶925		895
	549	4W-0511 . . . . .	1895	4W-1300 . . . . .	168	4W-1989 . . . . .	794
	550		1897	4W-1329 . . . . .	820		795
	551		2063		826		796
4S-5898 . . . . .	301	4W-0530 . . . . .	301	4W-1449 . . . . .	4		797
	846		690		8		▶2142
	860		693		12	4W-2109 . . . . .	1526
	1472		1479		15		1528
4S-6399 . . . . .	1363	4W-0531 . . . . .	301		▶446		1534
	1489		690	4W-1450 . . . . .	446		1539
	1499		693	4W-1453 . . . . .	862		1553
	1502		1479		865	4W-2110 . . . . .	1526
	1504	4W-0712 . . . . .	5		868		1528
	1516		12	4W-1454 . . . . .	918		1534
	1518		16		919		1539
	1520		▶865		920		1553
	1630		▶868		926	4W-2173 . . . . .	▶926
	1633	4W-0715 . . . . .	852		927	4W-2175 . . . . .	▶927
	1919		854		930	4W-2215 . . . . .	1353
	1933		862		935	4W-2216 . . . . .	1353
	1935	4W-0716 . . . . .	856	4W-1455 . . . . .	920	4W-2217 . . . . .	1353
	1941		865		926	4W-2359 . . . . .	364
	1943		868		935		918
	1948	4W-0756 . . . . .	▶64	4W-1456 . . . . .	918		919
4S-7756 . . . . .	190		▶66		919		920
	192	4W-0757 . . . . .	▶68		927		926
	990		▶70		930		927
	992	4W-0758 . . . . .	56		939		930
4V-7412 . . . . .	455		58		944		935
	463		60		948		939

# PART NUMBER INDEX

Part	Page	Part	Page	Part	Page	Part	Page
	940	4W-3177 . . . . .	1040		500	4W-4923 . . . . .	290
	944		1047		503	4W-4973 . . . . .	▶2092
	945		1057		506	4W-4980 . . . . .	611
	948		1079		510		▶613
4W-2493 . . . . .	2133		1087	4W-4444 . . . . .	1005	4W-4998 . . . . .	268
	990		1097		1018		270
4W-2541 . . . . .	992		1105	4W-4472 . . . . .	1896	4W-5015 . . . . .	86
	972		1113		2077		88
	973		1130		2079		90
4W-2542 . . . . .	977		1144	4W-4526 . . . . .	▶2062	4W-5069 . . . . .	858
	972	4W-3178 . . . . .	1152		2066	4W-5107 . . . . .	▶1635
	973		1040	4W-4527 . . . . .	▶2063		1649
	977		1048		2068	4W-5108 . . . . .	▶1637
4W-2637 . . . . .	1359		1057	4W-4536 . . . . .	1483		1648
4W-2640 . . . . .	1359		1064		1487	4W-5109 . . . . .	▶1638
4W-2641 . . . . .	1359		1071	4W-4551 . . . . .	1162		1651
	1360		1080	4W-4561 . . . . .	1913	4W-5110 . . . . .	▶1640
4W-2642 . . . . .	1359		1088	4W-4563 . . . . .	1913		1650
4W-2643 . . . . .	▶1516		1098		1915	4W-5137 . . . . .	1004
4W-2644 . . . . .	▶1518		1106	4W-4586 . . . . .	266	4W-5229 . . . . .	▶2065
4W-2645 . . . . .	1516		1114		270	4W-5267 . . . . .	▶990
	1518		1123		272	4W-5276 . . . . .	1878
4W-2646 . . . . .	▶1366		1131	4W-4587 . . . . .	990	4W-5307 . . . . .	2007
4W-2648 . . . . .	1516		1145	4W-4589 . . . . .	990		2009
	1518		1153	4W-4595 . . . . .	192		2012
	1520	4W-3251 . . . . .	457	4W-4596 . . . . .	190		2013
	1522		460	4W-4631 . . . . .	▶630		2016
4W-2683 . . . . .	2062		467	4W-4632 . . . . .	614		2081
	2063		2131		▶631	4W-5308 . . . . .	1896
4W-2767 . . . . .	▶1359	4W-3474 . . . . .	1975		▶632		1897
4W-2768 . . . . .	▶1359		1976	4W-4641 . . . . .	▶634		2005
4W-2966 . . . . .	4	4W-3565 . . . . .	1168	4W-4642 . . . . .	614		2007
	8	4W-3567 . . . . .	1168		▶635		2009
	12	4W-3569 . . . . .	1168		▶636		2081
	15	4W-3595 . . . . .	1516	4W-4651 . . . . .	▶638		2083
	▶961		1518	4W-4652 . . . . .	615	4W-5309 . . . . .	▶2066
4W-3027 . . . . .	308	4W-3655 . . . . .	1928		▶639	4W-5310 . . . . .	▶2005
	320		1929		640	4W-5424 . . . . .	▶956
	322		1945		641		1376
	440		1950	4W-4677 . . . . .	496		1378
	444		1951		500		1380
	446		1958		503		1382
4W-3034 . . . . .	308		1964		506	4W-5425 . . . . .	1376
	440	4W-3656 . . . . .	1928		510		1380
	442		1929	4W-4750 . . . . .	▶1843	4W-5426 . . . . .	▶957
	443		1945		1845		1378
	444		1950	4W-4753 . . . . .	▶1801		1382
	446		1951	4W-4754 . . . . .	▶1802	4W-5427 . . . . .	1378
4W-3047 . . . . .	▶901	4W-3657 . . . . .	1903	4W-4755 . . . . .	▶1803		1382
4W-3048 . . . . .	▶902		1941	4W-4794 . . . . .	648	4W-5552 . . . . .	5
	▶903		1943	4W-4803 . . . . .	961		15
4W-3053 . . . . .	876		1948	4W-4813 . . . . .	116		▶268
	877		1954		117	4W-5592 . . . . .	455
4W-3100 . . . . .	320	4W-3658 . . . . .	1903		119		460
	322		1941		121		463
4W-3108 . . . . .	647		1943		122		467
	787		1948		123		470
	790		1954		124		473
4W-3169 . . . . .	1600	4W-3659 . . . . .	1941		125		476
4W-3170 . . . . .	1299		1950		141	4W-5596 . . . . .	496
4W-3176 . . . . .	1040	4W-3660 . . . . .	1941		143		500
	1047		1948		147		503
	1057	4W-3661 . . . . .	1945	4W-4814 . . . . .	119		506
	1064		1951		122	4W-5597 . . . . .	496
	1071	4W-3662 . . . . .	1945		124		500
	1079		1951		125		503
	1087	4W-3744 . . . . .	510		135		506
	1097	4W-3864 . . . . .	764		137	4W-5704 . . . . .	112
	1105		766		141	4W-5705 . . . . .	112
	1113	4W-3925 . . . . .	1353	4W-4832 . . . . .	820	4W-5706 . . . . .	112
	1122	4W-3969 . . . . .	1350	4W-4833 . . . . .	820	4W-5707 . . . . .	112
	1130		1353	4W-4834 . . . . .	820	4W-5708 . . . . .	112
	1144	4W-4011 . . . . .	647	4W-4842 . . . . .	646	4W-5709 . . . . .	370
	1152	4W-4313 . . . . .	496	4W-4922 . . . . .	289		374

# PART NUMBER INDEX

Part	Page	Part	Page	Part	Page	Part	Page
4W-5710 . . . . .	370		503		▶1509	4W-7775 . . . . .	1850
	374	4W-6252 . . . . .	▶576	4W-6887 . . . . .	1604	4W-7776 . . . . .	1850
4W-5711 . . . . .	370		▶578	4W-6960 . . . . .	▶2068	4W-7793 . . . . .	1360
	374	4W-6253 . . . . .	▶580		455	4W-7957 . . . . .	1350
4W-5712 . . . . .	370	4W-6254 . . . . .	▶582	4W-6964 . . . . .	460		1353
	374	4W-6255 . . . . .	▶584		852	4W-7959 . . . . .	891
4W-5713 . . . . .	370		▶586		854		893
	374	4W-6257 . . . . .	582	4W-6965 . . . . .	862	4W-8206 . . . . .	895
4W-5725 . . . . .	1168		584	4W-7078 . . . . .	476		1050
4W-5821 . . . . .	▶381	4W-6258 . . . . .	586	4W-7192 . . . . .	▶463		1090
4W-5823 . . . . .	▶335		576		1		1133
4W-5890 . . . . .	301		578		457	4W-8207 . . . . .	970
	506	4W-6305 . . . . .	580		463		1050
	1477		1919	4W-7202 . . . . .	▶1376		1059
4W-5892 . . . . .	4	4W-6306 . . . . .	1919	4W-7205 . . . . .	▶1378	4W-8403 . . . . .	52
	8	4W-6307 . . . . .	1923	4W-7208 . . . . .	▶1380	4W-8404 . . . . .	52
	12	4W-6308 . . . . .	1923	4W-7211 . . . . .	▶1382	4W-8459 . . . . .	460
	15	4W-6358 . . . . .	112	4W-7213 . . . . .	1376		477
	20	4W-6387 . . . . .	455		1378	4W-8467 . . . . .	457
	22		460	4W-7214 . . . . .	1376		463
	▶611		463		1378	4W-8468 . . . . .	460
4W-5906 . . . . .	5	4W-6401 . . . . .	1602	4W-7215 . . . . .	1382		476
	8		1605	4W-7216 . . . . .	1382		468
	12		1809	4W-7217 . . . . .	1380		471
	16	4W-6402 . . . . .	1602		1382	4W-8471 . . . . .	1350
	▶270		1605	4W-7218 . . . . .	1382		1353
	▶272		1809	4W-7219 . . . . .	1380	4W-8484 . . . . .	374
4W-5972 . . . . .	1160	4W-6433 . . . . .	1928	4W-7220 . . . . .	1382	4W-8697 . . . . .	1850
	2017	4W-6434 . . . . .	1928		1382	4W-8754 . . . . .	1996
	2021	4W-6461 . . . . .	▶2007	4W-7241 . . . . .	1039		1998
	2025	4W-6462 . . . . .	▶1941		▶1047	4W-8755 . . . . .	1996
	2029		▶1943		1142		1998
	2033	4W-6463 . . . . .	▶1945	4W-7269 . . . . .	1045	4W-8757 . . . . .	1996
	2038		▶1946		1046		1998
	2041	4W-6491 . . . . .	457		▶1057	4W-8787 . . . . .	1348
	2044		463		1143		2030
	2047	4W-6492 . . . . .	476	4W-7367 . . . . .	970	4W-8790 . . . . .	1160
	2050		463		1049		2030
4W-5986 . . . . .	1923	4W-6500 . . . . .	▶2115		1058	4W-8864 . . . . .	1850
	1924	4W-6627 . . . . .	981	4W-7369 . . . . .	1047	4W-8918 . . . . .	1004
	1926		1049		1057		1007
	1937		1089		1079		1010
	1938		1132		1087		1021
4W-5987 . . . . .	1937	4W-6664 . . . . .	44		1105		1023
4W-5988 . . . . .	1933		46	4W-7402 . . . . .	1130		1025
	1935		47		370	4W-8976 . . . . .	1850
4W-5989 . . . . .	1933	4W-6673 . . . . .	▶728		378	4W-9027 . . . . .	911
4W-5990 . . . . .	1899		▶730	4W-7403 . . . . .	370	4W-9029 . . . . .	911
	1901	4W-6674 . . . . .	▶732	4W-7599 . . . . .	1414	4W-9479 . . . . .	26
	1919	4W-6675 . . . . .	732	4W-7628 . . . . .	1050		28
	1933	4W-6676 . . . . .	728		1059	4W-9489 . . . . .	26
	1935		730		1081		28
	1952	4W-6677 . . . . .	728		1090	4W-9560 . . . . .	165
	1956		730		1099		▶166
4W-5991 . . . . .	1933		732		1106		▶167
4W-5992 . . . . .	1923	4W-6682 . . . . .	432		1114	4W-9712 . . . . .	4
	1924		434		1124		15
	1926		436		1133		▶48
	1937		438		1145	4W-9779 . . . . .	434
	1938		438		1154	4W-9968 . . . . .	▶467
4W-5993 . . . . .	1937	4W-6803 . . . . .	▶2009	4W-7652 . . . . .	1049		▶470
4W-5994 . . . . .	▶1933		4		1058		▶473
	▶1935	4W-6874 . . . . .	8		1089		
4W-5995 . . . . .	▶1937		12	4W-7656 . . . . .	1132		
	▶1938		15		434		
	▶1940		▶460		438		
4W-6062 . . . . .	5	4W-6882 . . . . .	▶190	4W-7774 . . . . .	432		
	9		1295		434		
	12	4W-6883 . . . . .	▶192		436	5A-3604 . . . . .	301
	16		1604		438		526
	▶500	4W-6885 . . . . .	1295				1474
	▶503						
4W-6066 . . . . .	500						



# PART NUMBER INDEX

Part	Page	Part	Page	Part	Page	Part	Page
5B-0213 . . . . .	155		784		652		320
	159		787		664		2132
5B-0841 . . . . .	301		790		666		2137
	690	5B-9627 . . . . .	1909		668	5G-0400 . . . . .	891
	693		1911		670	5G-2318 . . . . .	2004
	1479		1917		672	5H-3182 . . . . .	961
5B-2407 . . . . .	52		1918		674	5H-6005 . . . . .	970
5B-2638 . . . . .	301	5C-2874 . . . . .	1745		676	5H-6467 . . . . .	1209
	690		1747		678	5H-6493 . . . . .	1028
	693		1757		680		1029
	1479		1759		682		1030
5B-3180 . . . . .	1209		1865		803	5H-6529 . . . . .	1269
5B-3265 . . . . .	717		2055		805	5H-6531 . . . . .	1269
	724		2085		807	5H-6555 . . . . .	1345
	728		2086	5F-5434 . . . . .	30		1893
	730	5C-2890 . . . . .	2018		34		2018
	732		2022		38		2022
	748		2026		1395		2026
5B-4399 . . . . .	301		2030	5F-5990 . . . . .	1173		2034
	690		2034	5F-6371 . . . . .	517		2054
	693		2038		518	5H-6734 . . . . .	315
	1479		2041		520		773
5B-4855 . . . . .	1530		2044		521		776
	1557		2047		523		777
	1849		2051		575		2130
5B-5821 . . . . .	44	5C-6819 . . . . .	891		576		2135
	46	5D-0019 . . . . .	2071		578		2136
	306		2075		580		2138
	308	5D-0284 . . . . .	2065		582	5H-7225 . . . . .	603
	1476	5D-1026 . . . . .	784		584	5H-7598 . . . . .	1374
5B-7643 . . . . .	1491		787		586		1387
	1493		790		590		1389
	1495	5D-1708 . . . . .	2069		591		1391
	1499		2073		593		1394
	1502	5D-5957 . . . . .	320		1528		1395
	1504		322		1530		1398
5B-7661 . . . . .	1489		455		1534		1402
	1491		457		1539	5J-5314 . . . . .	1659
	1499		460		1553		1661
	1502		463		1557		1664
	1504		477	5F-6562 . . . . .	417		1667
	1630		603		418		1670
	1633		1002		419		1675
5B-7666 . . . . .	958		1004	5F-6932 . . . . .	335		1685
	1471		1007		336		1723
	1483		1010		337		1726
	1485		1012		338		1729
	1487		1014		339		1732
	1489		1016		340		1735
	1491		1018		341		1738
	1493		1021		342		1741
	1495		1025		381	5J-5315 . . . . .	979
	1497		2131		382	5J-5793 . . . . .	301
5B-7890 . . . . .	155	5E-9295 . . . . .	1428		383		860
	159		1436		384		1472
	165	5F-0304 . . . . .	91		386	5J-7303 . . . . .	31
	169		92		387		35
	876		94		388		38
	877		96		389		552
	1832		98	5F-9657 . . . . .	126		554
5B-9079 . . . . .	467	5F-3106 . . . . .	202		127		556
	470		206		129		558
	473		208		132		1364
5B-9603 . . . . .	664		212		135		1393
	666		220		137		1396
	668		222		139		1921
	670		226		141	5K-0605 . . . . .	972
	672		228		143		973
	674		746		144		977
	676	5F-4764 . . . . .	2149		145	5K-9090 . . . . .	1459
	678	5F-4899 . . . . .	496		147		1460
	680		500		312		1461
	682		503		314		1462
	778		506		315		1466

# PART NUMBER INDEX

Part	Page	Part	Page	Part	Page	Part	Page
	1467		2075		100		476
	1543	5L-7438 . . . . .	2065		101		479
	1549		2073		102		480
	1551		2075		103		481
	1553	5L-7439 . . . . .	2065		127		482
	1555		2073		129		494
5K-9235 . . . . .	780		2075		132		495
	781	5L-7441 . . . . .	1890		135		496
5K-9979 . . . . .	2011		1891		137		500
5L-1263 . . . . .	417		2069		155		503
5L-1761 . . . . .	1247		2071		159		506
	1248		2073		165		510
	1249		2075		169		513
5L-2534 . . . . .	1483	5L-7442 . . . . .	1890		190		515
	1485		1891		192		517
	1487		2069		194		518
	1489		2071		196		521
	1491		2073		200		523
	1493		2075		204		526
	1495	5L-7444 . . . . .	1890		208		528
	1497		2069		210		530
	1499		2073		214		532
	1502	5L-7447 . . . . .	2065		216		534
	1504		2069		218		536
5L-2579 . . . . .	552		2071		222		539
	554		2073		224		541
	1374		2075		228		545
	1385	5L-7448 . . . . .	2069		240		547
	1396		2073		245		552
	1398	5L-7450 . . . . .	1890		249		554
5L-3233 . . . . .	843		2069		256		574
5L-3773 . . . . .	835		2073		262		603
	840	5L-7456 . . . . .	1890		264		605
	856		2069		278		607
	865		2073		279		609
	868	5L-7685 . . . . .	748		280		610
	2133	5L-8957 . . . . .	1414		282		629
5L-4398 . . . . .	833	5L-8983 . . . . .	1617		301		652
	838		1619		311		654
	839	5L-9128 . . . . .	624		344		656
5L-5180 . . . . .	1996		627		345		658
	1998	5L-9652 . . . . .	50		347		660
	2091	5L-9653 . . . . .	52		348		662
5L-5502 . . . . .	26	5L-9654 . . . . .	52		350		664
5L-5840 . . . . .	1160	5L-9655 . . . . .	52		352		666
	2017	5L-9895 . . . . .	▶1890		354		668
	2021		▶1891		356		670
	2025	5M-2894 . . . . .	26		358		672
	2029		28		360		674
	2038		30		366		676
	2041		34		368		678
	2044		38		391		680
	2047		44		394		682
	2050		46		395		686
	2091		47		396		688
5L-5879 . . . . .	717		48		428		691
	724		49		430		693
	728		56		432		697
	730		58		434		701
	732		60		436		706
	748		62		438		708
5L-6234 . . . . .	1909		64		447		710
5L-6425 . . . . .	1699		66		448		712
	1703		68		449		717
	1706		70		452		724
	1723		82		453		726
	1732		86		455		728
	1735		88		457		730
5L-6954 . . . . .	▶829		90		460		732
5L-7200 . . . . .	1625		91		463		746
5L-7437 . . . . .	2065		92		467		748
	2069		94		468		756
	2071		96		471		758
	2073		98		474		760

# PART NUMBER INDEX

Part	Page	Part	Page	Part	Page	Part	Page
	768		996		1528		1667
	778		998		1534		1670
	784		1000		1537		1675
	787		1002		1539		1680
	790		1004		1541		1685
	803		1007		1543		1690
	805		1010		1545		1695
	807		1012		1547		1700
	809		1014		1549		1704
	813		1016		1551		1707
	831		1018		1553		1713
	833		1021		1555		1716
	836		1023		1559		1721
	841		1025		1560		1723
	842		1169		1594		1726
	846		1171		1595		1729
	850		1174		1797		1732
	852		1175		1798		1735
	854		1178		1799		1738
	856		1179		1800		1741
	858		1182		1806		1754
	860		1185		1809		1762
	862		1188		1835	5M-4987 . . . . .	190
	865		1191		1839		990
	868		1194		1848		992
	871		1199		1867	5M-6213 . . . . .	96
	873		1235		1870		129
	876		1237		1899		132
	877		1239		1901		139
	891		1297		1905		141
	893		1298		1907		144
	895		1322		1909		145
	901		1361		1911		288
	903		1363		1913		289
	904		1364		1915		294
	905		1368		1917		510
	913		1370		1918		652
	915		1374		1919		706
	918		1376		1921		787
	919		1378		1926		805
	920		1380		1931		852
	926		1382		1933		856
	927		1385		1935		865
	930		1387		1940		868
	935		1389		1946		893
	936		1391		1952		895
	937		1396		1956		1271
	938		1398		1958		1274
	939		1400		1960		1277
	940		1402		1962		1279
	941		1412		1964		1281
	942		1414		1966		1283
	943		1416		1968		1285
	944		1418		1970		1287
	945		1420		1973		1289
	946		1422		1977		1292
	947		1472		1978		1302
	948		1473		2001		1303
	949		1476		2003		1491
	950		1479		2005		1499
	951		1489		2007		1596
	952		1491		2009		1598
	953		1499		2012		1630
	954		1502		2013		1633
	955		1504		2015	5M-6214 . . . . .	510
	961		1506		2016		563
	964		1508		2066		565
	979		1509		2081		566
	982		1516		2083		568
	986		1518		2145		569
	988		1520	5M-3034 . . . . .	1161		762
	990		1522		1659		764
	992		1524		1661		1271
	994		1526		1664		1274

# PART NUMBER INDEX

Part	Page	Part	Page	Part	Page	Part	Page
	1277		676	5N-2600 . . . . .	728		1303
	1279		678		▶734	5N-2725 . . . . .	1271
	1283		680	5N-2605 . . . . .	▶756		1274
	1285	5N-1845 . . . . .	717		▶758		1277
	1287		724		▶760		1279
	1289		728	5N-2606 . . . . .	762		1281
	1292		730		764		1283
	1598		732	5N-2611 . . . . .	750		1285
5M-9204 . . . . .	1327		746		762		1287
	1329		748		764		1289
	1331	5N-1900 . . . . .	343		766		1292
	1333		▶344	5N-2612 . . . . .	756		1596
	1335	5N-1901 . . . . .	344		758		1598
	1337	5N-1902 . . . . .	344		760	5N-2728 . . . . .	1491
	1339	5N-1903 . . . . .	344	5N-2613 . . . . .	756		1493
5M-9205 . . . . .	1327	5N-1904 . . . . .	344		758		1499
	1329	5N-1905 . . . . .	344		760		1502
	1331	5N-1906 . . . . .	344	5N-2618 . . . . .	734	5N-2746 . . . . .	1374
	1333	5N-1907 . . . . .	344		742		1385
	1335	5N-1913 . . . . .	1252		744		1396
	1337		1254	5N-2707 . . . . .	1271		1398
	1339	5N-1923 . . . . .	1252		1274	5N-2868 . . . . .	701
5M-9709 . . . . .	174		1254		1277	5N-2885 . . . . .	1302
	179	5N-1925 . . . . .	▶1254		1279		1303
	180		1271		1281	5N-2886 . . . . .	1302
5N-0361 . . . . .	1796		1274		1283		1303
	1809		1289		1285	5N-2902 . . . . .	714
5N-0364 . . . . .	1796		1292		1287		719
	1809	5N-1939 . . . . .	301		1289		721
	1414		756		1292		734
5N-0367 . . . . .	1416		758		1596		736
	1418		760		1598		738
	1420		768	5N-2709 . . . . .	1271		740
5N-0375 . . . . .	658		1472		1274		742
	660	5N-1940 . . . . .	301		1277		744
	662		746		1279	5N-2904 . . . . .	714
	672		756		1281		719
	682		758		1283		721
5N-0376 . . . . .	658		760		1285		734
	660		768		1287		736
	662		1472		1289		738
5N-0408 . . . . .	746	5N-1941 . . . . .	746		1292		740
	758	5N-1943 . . . . .	1254		1596		742
	760	5N-1953 . . . . .	660		1598		744
5N-0409 . . . . .	672		678	5N-2710 . . . . .	1252	5N-3072 . . . . .	▶979
	682	5N-1992 . . . . .	897		1254	5N-3073 . . . . .	979
5N-0427 . . . . .	664	5N-2049 . . . . .	858	5N-2716 . . . . .	1271		982
	678		1506		1274	5N-3074 . . . . .	979
	680	5N-2126 . . . . .	▶1357		1277		982
5N-0429 . . . . .	664		1817		1279	5N-3089 . . . . .	858
	678		1818		1281	5N-3174 . . . . .	1414
	680	5N-2194 . . . . .	1876		1283		1416
5N-0430 . . . . .	676	5N-2195 . . . . .	1876		1285		1418
	678	5N-2196 . . . . .	1876		1287		1420
	680	5N-2205 . . . . .	656		1289	5N-3198 . . . . .	1271
5N-0680 . . . . .	1214		666		1292		1274
5N-1755 . . . . .	728		668		1596		1277
	730		674		1598		1279
5N-1782 . . . . .	1271		676	5N-2718 . . . . .	1271		1281
	1274		678		1274		1283
	1277		756		1277		1285
	1279	5N-2317 . . . . .	417		1279		1287
	1281		418		1281		1289
	1283	5N-2322 . . . . .	417		1283		1292
	1285		418		1285		1596
	1287		419		1287		1598
	1289	5N-2324 . . . . .	▶417		1289	5N-3212 . . . . .	▶1208
	1292	5N-2336 . . . . .	858		1292	5N-3273 . . . . .	897
	1596		1619		▶1306		899
5N-1844 . . . . .	664	5N-2438 . . . . .	▶1173		1596	5N-3283 . . . . .	897
	666	5N-2443 . . . . .	897		1598	5N-3309 . . . . .	901
	668		899	5N-2720 . . . . .	1302		904
	670	5N-2457 . . . . .	▶832		1303		1594
	674	5N-2458 . . . . .	▶830	5N-2724 . . . . .	1302	5N-3369 . . . . .	2011

# PART NUMBER INDEX

Part	Page	Part	Page	Part	Page	Part	Page
5N-3370 . . . . .	▶2011		1287	5N-6138 . . . . .	1305	5N-6924 . . . . .	1412
5N-3615 . . . . .	1996		1289	5N-6141 . . . . .	1271	5N-6925 . . . . .	1412
	1998		1292		1274	5N-6942 . . . . .	1832
5N-4383 . . . . .	750		1596		1277	5N-7408 . . . . .	1300
	752		1598		1279		1304
	762	5N-5159 . . . . .	1350		1281	5N-7490 . . . . .	1846
	764		1353		1283	5N-7510 . . . . .	1412
	766		1796		1285		1414
	769		1878		1287		1416
5N-4384 . . . . .	762		2034		1289		1418
	764	5N-5296 . . . . .	1271		1292		1420
	766		1596		1596	5N-7743 . . . . .	52
5N-4432 . . . . .	868		1598		1598	5N-7759 . . . . .	1802
5N-4497 . . . . .	897	5N-5297 . . . . .	1271	5N-6235 . . . . .	591		1803
	899		1281		593	5N-7776 . . . . .	561
5N-4501 . . . . .	734		1283	5N-6236 . . . . .	575	5N-7782 . . . . .	1169
	742		1289		588		1171
5N-4504 . . . . .	734		1596		590	5N-7812 . . . . .	972
	742		1598		591		973
	744	5N-5298 . . . . .	897		593	5N-7822 . . . . .	▶811
5N-4686 . . . . .	1828		899	5N-6237 . . . . .	▶543	5N-7830 . . . . .	800
5N-4718 . . . . .	1271	5N-5321 . . . . .	1214		575	5N-7886 . . . . .	858
	1274		1226		576		1506
	1277	5N-5338 . . . . .	▶1289		578	5N-7887 . . . . .	858
	1279	5N-5382 . . . . .	▶2100		580	5N-7928 . . . . .	1252
	1281	5N-5507 . . . . .	1998		582		1254
	1283	5N-5510 . . . . .	2000		584	5N-8056 . . . . .	1385
	1285	5N-5574 . . . . .	1252		586		1387
	1287		1254		588		1389
	1289	5N-5608 . . . . .	▶1292		590		1797
	1292		1295		591	5N-8057 . . . . .	1378
	1596	5N-5628 . . . . .	762		593	5N-8059 . . . . .	1376
	1598	5N-5646 . . . . .	1510	5N-6241 . . . . .	▶518		1378
5N-4722 . . . . .	1304	5N-5670 . . . . .	858		▶520		1380
	1305		1506	5N-6255 . . . . .	543		1382
5N-4726 . . . . .	1306	5N-5671 . . . . .	1169	5N-6268 . . . . .	▶521	5N-8060 . . . . .	1376
5N-4727 . . . . .	1271	5N-5735 . . . . .	▶1510		▶523		1378
	1274	5N-5755 . . . . .	1304	5N-6442 . . . . .	1302		1380
	1277		1305		1303		1382
	1279		▶1831	5N-6443 . . . . .	1277	5N-8071 . . . . .	1380
	1281	5N-5757 . . . . .	732		1279		1382
	1283		▶736		1281		1899
	1285		▶738		1283		1901
	1287		▶740		1285		1919
	1289	5N-5860 . . . . .	732		1287		1921
	1292	5N-5880 . . . . .	▶1300		▶1303		1933
	1596	5N-5886 . . . . .	732		1596		1935
	1598		748	5N-6449 . . . . .	1252		1952
5N-4728 . . . . .	1271	5N-5977 . . . . .	668		1254		1956
	1274		670	5N-6645 . . . . .	1876	5N-8165 . . . . .	▶1385
	1277		674	5N-6646 . . . . .	1875	5N-8166 . . . . .	▶1387
	1279		732		1876		▶1389
	1281		748	5N-6668 . . . . .	561		▶1391
	1283	5N-5978 . . . . .	756		563	5N-8167 . . . . .	▶1797
	1285		▶762		564		▶1798
	1287		▶764		565	5N-8172 . . . . .	1972
	1289	5N-5990 . . . . .	1271		566	5N-8227 . . . . .	1271
	1292		1274		568		1274
	1596		1277		569		1277
	1598		1281	5N-6711 . . . . .	1271		1279
5N-4749 . . . . .	1304		1285		1274		1281
	1305		1289		1277		1283
	▶1830		1292		1279		1285
5N-4806 . . . . .	▶1804		▶1305		1281		1287
	1806		1596		1283		1289
5N-4988 . . . . .	1350	5N-5991 . . . . .	1252		1285		1292
	1353		1254		1287		1596
5N-4990 . . . . .	1271	5N-5996 . . . . .	1169		1289		1598
	1274	5N-6050 . . . . .	▶1271		1292	5N-8281 . . . . .	▶2069
	1277	5N-6051 . . . . .	▶1274		1596		▶2071
	1279		1604		1598	5N-8282 . . . . .	▶2073
	1281	5N-6055 . . . . .	742	5N-6753 . . . . .	1583		▶2075
	1283		744	5N-6762 . . . . .	1385	5N-8287 . . . . .	1895
	1285	5N-6096 . . . . .	1305		1808		1896

# PART NUMBER INDEX

Part	Page	Part	Page	Part	Page	Part	Page
	1897		1640		1640		736
5N-8291 . . . . .	▶1876		1643		1643		738
	2063		1646		1646		740
	2077	5N-8380 . . . . .	1635	5N-8432 . . . . .	1252	5N-9009 . . . . .	736
5N-8352 . . . . .	. 849		1643		1254		738
5N-8353 . . . . .	. 849	5N-8381 . . . . .	1627	5N-8458 . . . . .	1252		740
5N-8354 . . . . .	▶849		1635		1254	5N-9010 . . . . .	736
5N-8362 . . . . .	1638		1638	5N-8459 . . . . .	1254		738
5N-8363 . . . . .	1627		1640	5N-8557 . . . . .	. 858		740
	1635		1643		1506	5N-9011 . . . . .	736
	1637		1646	5N-8558 . . . . .	. 858	5N-9012 . . . . .	714
	1638	5N-8383 . . . . .	1627	5N-8559 . . . . .	. 858		736
	1640		1635	5N-8572 . . . . .	. 1141		738
	1643		1638		1142		740
	1646		1640		1143	5N-9013 . . . . .	736
5N-8364 . . . . .	1635		1643		▶1846		738
	1638		1646	5N-8644 . . . . .	. 52		740
5N-8365 . . . . .	1627	5N-8384 . . . . .	1635	5N-8645 . . . . .	. 52	5N-9014 . . . . .	714
	1635		1637	5N-8757 . . . . .	▶1583		736
	1638		1643	5N-8857 . . . . .	. 1363		738
	1640	5N-8385 . . . . .	1627		▶1791		740
	1643		1638	5N-8862 . . . . .	. 1489	5N-9015 . . . . .	714
	1646		1640		1499		736
5N-8366 . . . . .	1627		1646		1502		738
	1638	5N-8387 . . . . .	1627		1504		740
	1640		1635	5N-8876 . . . . .	. 1412	5N-9016 . . . . .	714
	1646		1637	5N-8878 . . . . .	▶1412		736
5N-8367 . . . . .	1635		1638		1843		738
	1643		1640		1845		740
5N-8368 . . . . .	1627		1643	5N-8941 . . . . .	▶1423	5N-9017 . . . . .	736
	1635		1646		▶1425		738
	1638	5N-8388 . . . . .	1627		1845		740
	1640		1635	5N-8942 . . . . .	▶1448	5N-9018 . . . . .	714
	1643		1638		1843		736
	1646		1640		1845		738
5N-8372 . . . . .	1627		1643	5N-8943 . . . . .	. 534		740
	1635		1646		536	5N-9019 . . . . .	736
	1638	5N-8389 . . . . .	1627		556		738
	1640		1638		558		740
	1643		1640		571	5N-9020 . . . . .	736
	1646		1646		797		738
5N-8373 . . . . .	1627	5N-8390 . . . . .	1627		1423		740
	1635		1636		1425	5N-9021 . . . . .	736
	1638		1639		1785		738
	1640		1641		1786		740
	1643		1644		1787	5N-9022 . . . . .	736
	1646		1647		1808		738
5N-8374 . . . . .	1627	5N-8403 . . . . .	1635		1829		740
	1635		1637	5N-8954 . . . . .	1619	5N-9023 . . . . .	736
	1638		1643	5N-8957 . . . . .	1400		738
	1640	5N-8418 . . . . .	1506		▶1786		740
	1643	5N-8424 . . . . .	1627		1799	5N-9024 . . . . .	736
	1646		1635	5N-8958 . . . . .	1387		738
5N-8375 . . . . .	1627		1638		1389		740
	1635		1640		1797	5N-9037 . . . . .	▶2093
	1638		1643		▶1808	5N-9038 . . . . .	▶2094
	1640		1646	5N-8980 . . . . .	1387	5N-9063 . . . . .	1252
	1643	5N-8425 . . . . .	1627		1389		1254
	1646		1635		1391	5N-9065 . . . . .	1448
5N-8377 . . . . .	1627		1637		1393		1449
	1635		1638		1394		1454
	1638		1640		1395		1455
	1640		1643		1400	5N-9066 . . . . .	1448
	1643		1646		1402	5N-9067 . . . . .	1440
	1646	5N-8427 . . . . .	1627		1630		1444
5N-8378 . . . . .	1627		1635		1633		1445
	1635		1637		▶1829		1448
	1638		1638	5N-8998 . . . . .	1412		1449
	1640		1640		1414		1454
	1643		1643		1416		1455
	1646		1646		1418		2051
5N-8379 . . . . .	1627	5N-8428 . . . . .	1627	5N-9006 . . . . .	. 714		2052
	1635		1635		719	5N-9068 . . . . .	1448
	1638		1638		721		1449

# PART NUMBER INDEX

Part	Page	Part	Page	Part	Page	Part	Page
	1454		1820		1098		1968
	1455		2013		1106		1970
5N-9069 . . . . .	1448		2068		1114		1973
	1454	5N-9366 . . . . .	▶1446		1123		2001
	1455		1820		1131		2003
5N-9070 . . . . .	1423		1849		1145		2018
	1425		2068		1153		2022
	1449	5N-9527 . . . . .	▶833		1169		2026
5N-9071 . . . . .	1425	5N-9533 . . . . .	1423		1171		2029
	1448	5N-9534 . . . . .	1423		1182		2033
5N-9072 . . . . .	1440	5N-9574 . . . . .	1635		1185		2038
	1444		1643		1188		2041
	1445	5N-9575 . . . . .	1627		1234		2044
	1448		1638		1252		2047
	1449		1640		1254		2050
	1454		1646		1271	5P-0597 . . . . .	308
	1455	5P-0076 . . . . .	44		1274		440
	2051		46		1277		444
	2052		47		1279		446
5N-9073 . . . . .	534		48		1281	5P-0598 . . . . .	1524
	536		49		1283		1528
	556		348		1285		1557
	558		354		1287		1621
	571		852		1289	5P-0721 . . . . .	784
	797		854		1292		790
	1348		856		1302	5P-0745 . . . . .	1752
	1423		862		1303		1753
	1425		865		1376		1771
	1449		868		1378		1773
	1785	5P-0372 . . . . .	2017		1380		1775
	1786		2021		1382		1778
	1787		2025		1425	5P-0746 . . . . .	1806
	1808		2029		1474	5P-0747 . . . . .	1329
	1829		2033		1506		1331
5N-9117 . . . . .	1348		2038		1508		1333
	1440		2041		1509		1335
	1444		2044		1559		1337
	1445		2047		1560		1338
	1448		2050		1596		1339
	1449	5P-0537 . . . . .	301		1598		1341
	1454		311		1617		1806
	1455		356		1618	5P-0761 . . . . .	1327
	2051		428		1619	5P-0840 . . . . .	38
	2052		430		1630		82
5N-9164 . . . . .	1449		449		1633		100
	1456		575		1801		102
5N-9165 . . . . .	1449		576		1802		127
5N-9222 . . . . .	1350		578		1805		132
	1353		580		1806		135
5N-9230 . . . . .	1899		582		1866		137
	1901		584		1869		194
	1903		591		1893		196
	1905		780		1899		200
	1907		781		1901		204
	1909		782		1905		210
	1911		858		1907		214
	1913		897		1909		216
	1915		899		1911		218
	1918		961		1913		224
	1924		964		1915		249
	1926		979		1918		256
	1929		1002		1919		295
	1935		1007		1921		298
	1938		1010		1924		315
	1943		1012		1926		316
	1951		1014		1929		362
	1954		1016		1933		364
	1956		1018		1935		393
	1958		1048		1938		398
	1964		1058		1951		494
	1968		1065		1952		730
5N-9232 . . . . .	188		1072		1956		732
5N-9304 . . . . .	▶1845		1080		1958		748
5N-9365 . . . . .	▶1816		1088		1964		1958

# PART NUMBER INDEX

Part	Page	Part	Page	Part	Page	Part	Page
	1960	5P-1477 . . . . .	1449		1822		2138
	1962		1454		1823	5P-4900 . . . . .	1183
	1964		1455		1824		1186
	1966	5P-1763 . . . . .	2149		1825		1189
	1968	5P-2203 . . . . .	664		1826		1192
	2130		666		1827		1194
	2138		668	5P-4116 . . . . .	883		1235
5P-0912 . . . . .	1539	5P-2251 . . . . .	1524		885	5P-4939 . . . . .	1923
5P-1075 . . . . .	282		1532	5P-4268 . . . . .	510		1928
	301		1534	5P-4295 . . . . .	302		1933
	323		1537		787		1935
	616		1541		1175		1948
	631		1543		1477		1956
	635		1545	5P-4318 . . . . .	302	5P-5421 . . . . .	455
	639		1547		1175		457
	656		1549		1477		460
	664		1551	5P-4571 . . . . .	1428		464
	666		1553		1438		467
	668		1555		1444		470
1374		5P-2321 . . . . .	1440		1445		473
1376			1444		1448		476
1378			1445		1449	5P-5600 . . . . .	974
1380			2051		1454		978
1382			2052		1456		981
1385		5P-2546 . . . . .	198		2051		1048
1387			200		2052		1088
1389			218	5P-4624 . . . . .	455		1131
1391		5P-2566 . . . . .	274		457	5P-5610 . . . . .	1374
1396			593		460		1385
1398		5P-2645 . . . . .	301		463		1396
1400			691		467		1398
1402			1182		470	5P-5618 . . . . .	1428
1476			1185		474		1444
1483			1188		476		1445
1485			1479	5P-4653 . . . . .	1169		2051
1487		5P-2675 . . . . .	1345		1171		2052
1489			1418	5P-4672 . . . . .	974	5P-5621 . . . . .	1674
1493			1420		1033		1679
1495			1875		1049		1684
1497			1876		1072		1694
1502		5P-2755 . . . . .	301		1080		1706
1504			871		1089	5P-5622 . . . . .	1450
1526			1473		1098	5P-5623 . . . . .	1450
1528		5P-2948 . . . . .	1625		1123		1625
1532		5P-3059 . . . . .	1438		1132		2030
1797			1444		1153		2052
1798			1449	5P-4868 . . . . .	440	5P-5624 . . . . .	1431
1799			1455		444		1450
1800			1982		446		1786
1924			1987	5P-4869 . . . . .	809		1787
1929			1990		813		1808
1938		5P-3418 . . . . .	1307	5P-4892 . . . . .	315		1846
1958			1313		318	5P-5675 . . . . .	1450
1964			1316		319	5P-5677 . . . . .	1431
5P-1076 . . . . .	658		1319		320	5P-5689 . . . . .	1431
	672	5P-3419 . . . . .	1307		322	5P-5700 . . . . .	348
	674		1309		348		350
	676		1313		354		352
	877		1316		455		354
5P-1175 . . . . .	452		1319		457		856
5P-1475 . . . . .	1353	5P-3422 . . . . .	2069		460		865
	1438		2071		463		868
	1439		2073		467	5P-5846 . . . . .	318
	1440		2075		470		319
	1444	5P-3426 . . . . .	309		474		496
	1445		1835		476		500
	1449		1839		496		503
	1454		1899		500		506
	1455		1901		503		510
	1878		1903		506		513
	2051	5P-3860 . . . . .	809		510		518
	2052		813		2130		520
5P-1476 . . . . .	1438		868		2131		523
	1878	5P-4115 . . . . .	1821		2136		534



# PART NUMBER INDEX

Part	Page	Part	Page	Part	Page	Part	Page
	536		1087		262		693
	2131		1089		264		708
	2136		1097		268		778
5P-5855 . . . . .	348		1098		277		784
	354		1105		279		787
5P-5877 . . . . .	453		1113		280		790
5P-6008 . . . . .	1621		1122		281		809
	1623		1123		282		813
5P-6009 . . . . .	1408		1130		283		828
	1438		1132		284		833
	1449		1144		285		837
	1455		1152		286		838
5P-6025 . . . . .	1169		1153		287		839
	1171		1163		288		852
	1209	5P-7817 . . . . .	302		289		854
	1351		500		290		856
5P-6298 . . . . .	1561		510		302		860
	1661		2131		311		862
	1664	5P-7818 . . . . .	312		327		865
	1674		320		329		868
	1679		356		331		873
	1684		358		333		1201
	1689		360		335		1376
	1694		2137		336		1378
	1699	5P-7846 . . . . .	2050		337		1380
	1703	5P-7878 . . . . .	1849		338		1382
	1706		2068		339		1409
	1712	5P-7972 . . . . .	730		340		1410
	1716		732		341		1425
	1726		748		342		1472
	1729	5P-8026 . . . . .	26		358		1479
	1732		28		360		1483
	1735	5P-8065 . . . . .	1164		381		1485
	1738		1233		382		1489
	1754	5P-8068 . . . . .	348		383		1497
5P-6302 . . . . .	2135		354		384		1530
	2138	5P-8210 . . . . .	127		386		1532
5P-6859 . . . . .	891		132		387		1534
	893		135		388		1539
	895		137		389		1553
5P-6917 . . . . .	1345		310		395		1557
5P-7234 . . . . .	814		312		421		1607
	820		320		424		1608
	826		2137		453		1905
5P-7530 . . . . .	302	5P-8245 . . . . .	30		467		1907
	362		35		470		1909
	364		38		474		1911
	428		86		521		1913
	430		88		528		1915
	1474		90		544		1972
5P-7592 . . . . .	52		92		549	5P-8246 . . . . .	424
5P-7701 . . . . .	302		102		550	5P-8247 . . . . .	2
	684		127		551		56
	1478		129		576		58
5P-7751 . . . . .	1345		132		578		60
	1412		135		580		62
	1414		137		582		64
	1416		194		584		66
	1418		196		588		68
	1420		198		591		70
5P-7807 . . . . .	1313		200		658		83
	1316		204		660		91
	1319		208		664		92
5P-7812 . . . . .	985		210		666		94
	1031		214		668		96
	1033		222		670		98
	1040		224		672		196
	1047		228		674		202
	1057		240		676		204
	1064		242		678		206
	1065		245		680		208
	1071		249		682		210
	1072		253		688		212
	1079		256		691		214

# PART NUMBER INDEX

Part	Page	Part	Page	Part	Page	Part	Page
	216		340		1911		245
	218		341		1913		249
	220		342		1915		256
	222		344		1918		262
	224		381		1924		264
	226		382		1926		315
	228		383		1928		2130
	283		384		1929		2138
	302		386		1931	5R-7137 . . . . .	196
	327		387		1935		204
	329		388		1937		208
	331		389		1938		210
	333		420		1943		214
	580		658		1945		222
	658		672		1946		224
	672		674		1950		228
	674		676		1951		240
	676		1524		1954		245
	717		1526		1956		249
	724		1528		1958		256
	746		1530		1960		262
	871		1532		1964		264
	1473		1534		1966		315
5P-8248 . . . . .	1564		1537	5P-9298 . . . . .	1363		2130
	39		1539		1364		2138
	118		1541		1499	5R-7425 . . . . .	▶42
	119		1543		1905	5S-0003 . . . . .	744
	122		1545		1913		812
	139		1547		1919		1175
	141		1549		1921		1178
	165		1551		1933	5S-0131 . . . . .	1327
	169		1553		1935	5S-2184 . . . . .	1040
	190		1555	5P-9514 . . . . .	1627		1048
	192		1557		1635		1058
	266		1850		1638		1088
	270	5P-8288 . . . . .	118		1640		1131
	272		119		1643	5S-3552 . . . . .	2034
	323		122		1646	5S-4245 . . . . .	1867
	423		139	5P-9617 . . . . .	1361		1870
	629		141		1522	5S-5955 . . . . .	664
	990	5P-8289 . . . . .	438		1899		678
	1850	5P-8291 . . . . .	323		1901		680
	1853	5P-8839 . . . . .	232		1903	5S-7349 . . . . .	1431
	1854		233		1952		1435
5P-8249 . . . . .	56		234		1954		1652
	58		235		1956		1655
	60		236	5P-9757 . . . . .	794		1764
	62		237		795		1767
	64	5P-8872 . . . . .	312		796	5S-7379 . . . . .	2145
	66		320		797	5S-7382 . . . . .	2145
	68		356		1269	5S-7383 . . . . .	623
	70		358	5P-9890 . . . . .	314		626
	116		360		362		889
	117		448		364	5S-9568 . . . . .	2149
	121		449		513	5S-9569 . . . . .	2149
	123		2137		530	5T-8224 . . . . .	658
	124	5P-8937 . . . . .	1520		532		672
	125		1522		534		674
	143	5P-9085 . . . . .	1516		2133		676
	147		1518	5P-9959 . . . . .	1431		
	422		1520		1436		
5P-8250 . . . . .	171		1522	5R-1771 . . . . .	30		
	181		2066		34		
	182		2081		39		
	183	5P-9287 . . . . .	1376				
	184		1378	5R-5304 . . . . .	1201		
	185		1380	5R-7136 . . . . .	196		
	186		1382		204		
	187		1899		208		
	230		1901		210		
	336		1903		214		
	337		1905		222		
	338		1907		224	6B-1032 . . . . .	517
	339		1909		228		521
					240	6B-1557 . . . . .	658

# PART NUMBER INDEX

Part	Page	Part	Page	Part	Page	Part	Page
6B-1628 . . . . .	1621		1199		1502		34
	1623	6D-3910 . . . . .	561		1504	6H-8297 . . . . .	523
6B-1667 . . . . .	518		563		1630		580
	520		564		1633		588
6B-3223 . . . . .	52		565	6F-6045 . . . . .	1815		1524
6B-3685 . . . . .	1489		566	6F-6673 . . . . .	129		1526
	1491		568	6F-7063 . . . . .	26		1528
	1493		569		28		1530
	1497	6D-4636 . . . . .	784	6F-7172 . . . . .	772		1532
	1499		790		774		1534
	1502	6D-5801 . . . . .	1865	6F-7694 . . . . .	1815		1537
	1504		1866	6F-7699 . . . . .	1815		1541
6B-4540 . . . . .	1867		1869	6F-7701 . . . . .	1815		1545
6B-4542 . . . . .	1269		2055	6F-7702 . . . . .	1815		1547
	1867	6F-0253 . . . . .	52	6F-7731 . . . . .	1815		1557
6B-5072 . . . . .	780	6F-0496 . . . . .	1524	6F-7732 . . . . .	1499	6I-0042 . . . . .	5
	781		1526		1502		9
	782		1528		1504		13
	1587		1530		1815		16
	1890		1532	6F-8856 . . . . .	1630		▶ 876
	1891		1534		1633	6I-0046 . . . . .	876
	2069		1537	6H-1717 . . . . .	92	6I-0047 . . . . .	876
	2071		1539		198	6I-0325 . . . . .	1018
	2073		1541		242	6I-0335 . . . . .	72
	2075		1545		253		73
6B-6205 . . . . .	310		1547		302		▶ 326
	1174		1557		691	6I-0336 . . . . .	77
	1178	6F-0612 . . . . .	1271		693		78
	1182		1274		809		▶ 326
	1185		1277		813	6I-0664 . . . . .	1045
	1188		1279		877		▶ 1064
	1191		1281		1479		1143
	1194		1283		1905	6I-0665 . . . . .	1039
	1532		1285		1907		▶ 1071
6B-6765 . . . . .	672		1287		1909		1141
	674		1289		1911		1142
	676		1292		1913	6I-0723 . . . . .	348
6B-6766 . . . . .	672		1305		1915		354
	674		1306	6H-3609 . . . . .	92	6I-0724 . . . . .	348
	676		1596	6H-3622 . . . . .	1679		354
	699		1598		1689	6I-0744 . . . . .	534
6B-8128 . . . . .	30	6F-2172 . . . . .	561		1694		536
	34		565		1699	6I-0757 . . . . .	1350
	39		566		1703	6I-0850 . . . . .	912
	1530	6F-4718 . . . . .	549		1706		914
	1532	6F-4868 . . . . .	105		1712	6I-0897 . . . . .	1350
6B-9081 . . . . .	525		189		1720	6I-1041 . . . . .	▶ 1557
	580		312		1761	6I-1046 . . . . .	1557
	582		320	6H-3958 . . . . .	1271	6I-1356 . . . . .	165
	1526		348		1274	6I-1357 . . . . .	165
	1528		350		1277	6I-1418 . . . . .	302
	1530		352		1279		1368
	1532		354		1281		1370
	1534		356		1283		1371
	1537		358		1285		1473
	1539		360		1287	6I-1815 . . . . .	1875
	1541		576		1289	6I-1966 . . . . .	1374
	1543		580		1292		1398
	1545		582		1596		1402
	1547		584		1598		1800
	1549		591	6H-5431 . . . . .	1345	6I-1997 . . . . .	1374
	1551		2137		1412		1398
	1553	6F-5281 . . . . .	521		1414		1787
	1555	6F-5282 . . . . .	288		1416	6I-1998 . . . . .	1402
	1557		289		1418		▶ 1787
6B-9202 . . . . .	321	6F-5985 . . . . .	▶ 493		1420		1800
	496		1485		1804	6I-2007 . . . . .	937
	500		1487	6H-5829 . . . . .	1600		938
	503		1489		1603		942
	506		1491	6H-6698 . . . . .	302		943
	510		1493		691		947
6D-1998 . . . . .	1331		1495		1479		952
	1333		1497	6H-7062 . . . . .	521		953
6D-3479 . . . . .	1198		1499	6H-7127 . . . . .	30	6I-2092 . . . . .	714

# PART NUMBER INDEX

Part	Page	Part	Page	Part	Page	Part	Page
	740		1283		242		627
	744		1285		245		631
6I-2102 . . . . .	913		1287		249		632
	915		1289		253		635
	937		1292		256		636
	938		1596	6K-4934 . . . . .	308		639
	942		1598		528		641
	943	6J-7855 . . . . .	1627		1423	6L-2286 . . . . .	616
	947		1635	6K-4935 . . . . .	308		617
	950		1638		528		621
	952		1640		1423		624
	953		1643	6K-9194 . . . . .	190		627
	955		1646		192		631
6I-2103 . . . . .	950	6K-0806 . . . . .	1198		467		632
	955		1200		470		635
6I-2933 . . . . .	843		1201		474		636
6I-3136 . . . . .	778		1203		1169		639
6I-3142 . . . . .	281		1425		1171		641
6I-3143 . . . . .	▶281		1431		1271		670
6I-3697 . . . . .	170		1435		1274		672
	▶175		1822		1277		674
6I-3699 . . . . .	170		1867		1279		676
	▶176		1871		1281		678
6I-3754 . . . . .	1002	6K-1694 . . . . .	580		1283		680
	1012	6K-1972 . . . . .	782		1285		682
	1014		1169		1287	6L-3401 . . . . .	988
	1016		1171		1289	6L-3483 . . . . .	1583
	1018		1374		1292	6L-3801 . . . . .	1252
6I-3809 . . . . .	405		1385		1596		1254
6I-3810 . . . . .	405		1387		1598	6L-3961 . . . . .	50
6I-3842 . . . . .	1031		1389	6K-9591 . . . . .	1348	6L-3964 . . . . .	50
	1033		1391		1351	6L-3967 . . . . .	50
	1065		1394		1414	6L-3972 . . . . .	50
	1072		1395		1416	6L-4207 . . . . .	1365
	▶1256		1396		1418	6L-4249 . . . . .	1035
6I-3844 . . . . .	1031		1398		1420	6L-4382 . . . . .	656
	1033		1400	6L-1595 . . . . .	616	6L-4502 . . . . .	▶2118
	1065		1402		631	6L-5151 . . . . .	52
	1072		1483		635	6L-5295 . . . . .	584
6I-3846 . . . . .	1031		1485		639		586
	1033		1487	6L-1596 . . . . .	1252	6L-5699 . . . . .	1485
	1065		1489		1254	6L-5855 . . . . .	1414
	1072		1491	6L-1694 . . . . .	2132		1416
6I-3847 . . . . .	1031		1493		2133		1418
	1033		1495	6L-1883 . . . . .	31		1420
	1847		1497		35	6L-7159 . . . . .	1348
6I-4348 . . . . .	176		1499		38	6L-7349 . . . . .	1499
6I-4488 . . . . .	494		1502	6L-2077 . . . . .	2069	6L-8150 . . . . .	1414
6J-0468 . . . . .	1958		1504		2071		1416
	1960		1510	6L-2078 . . . . .	2069		1418
	1962		1630		2071		1420
	1964		1633	6L-2113 . . . . .	1040	6L-8562 . . . . .	876
	1966		1893		1048		877
	1968	6K-3771 . . . . .	196		1058	6L-9872 . . . . .	1996
6J-2244 . . . . .	986		202		1088		1998
	988		204		1131	6M-7476 . . . . .	1004
6J-2245 . . . . .	298		220	6L-2279 . . . . .	621		1018
	302		222		624	6M-9613 . . . . .	283
	362		224		627		284
	364		238		728		286
	428		240		730		287
	430		260	6L-2280 . . . . .	717		290
	1474		262		724	6N-0265 . . . . .	891
6J-2419 . . . . .	1168		264		728		893
6J-2680 . . . . .	302	6K-3772 . . . . .	198		730		895
	691		200		732	6N-0775 . . . . .	977
	693		206		748	6N-1604 . . . . .	1468
	1479		208	6L-2282 . . . . .	621	6N-1856 . . . . .	1313
	2138		210		624		1316
6J-2819 . . . . .	1271		212		627		1319
	1274		214	6L-2284 . . . . .	616	6N-1870 . . . . .	1313
	1277		216		617		1316
	1279		218		621		1319
	1281		228		624	6N-1871 . . . . .	1313

# PART NUMBER INDEX

Part	Page	Part	Page	Part	Page	Part	Page
	1316		1723		31		1729
	1319		1727		34		1732
6N-1872 . . . . .	1313		1730		35		1735
	1316		1733		38		1738
	1319		1736		513	6T-0372 . . . . .	1561
6N-1873 . . . . .	1313		1739		515		1658
	1316		1741		1975		1661
6N-1875 . . . . .	1313	6N-3504 . . . . .	1271		1976		1664
	1316		1274	6N-8863 . . . . .	1297		1674
	1319		1277		1298		1679
6N-1876 . . . . .	1313		1279	6N-9042 . . . . .	30		1684
	1316		1281		34		1689
	1319		1283		38		1694
6N-1877 . . . . .	1319		1285	6N-9312 . . . . .	762		1699
6N-1889 . . . . .	▶ 1715		1287	6N-9313 . . . . .	772		1703
6N-1925 . . . . .	1313		1289	6N-9349 . . . . .	1805		1706
	1316		1292	6N-9587 . . . . .	1374		1712
	1319		1596		1385		1720
6N-1944 . . . . .	1313		1598		1396		1723
	1316	6N-3826 . . . . .	1652		1398		1726
	1319		1655	6N-9908 . . . . .	912		1729
6N-1945 . . . . .	1307		1658		932		1732
	1313		1661	6N-9910 . . . . .	914		1735
	1316		1664		916		1738
6N-1946 . . . . .	1313		1667		917	6T-0453 . . . . .	1867
	1316		1675	6N-9995 . . . . .	1625		1870
	1319		1680	6S-4302 . . . . .	1806	6T-0594 . . . . .	1754
6N-1968 . . . . .	1313		1685	6S-5992 . . . . .	1516	6T-0621 . . . . .	1716
	1316		1690		1518		1754
	1319		1695		1520	6T-0622 . . . . .	1716
6N-2184 . . . . .	1511		1703		1522		1754
	1514		1713	6T-0362 . . . . .	1609	6T-0623 . . . . .	1716
6N-2185 . . . . .	1511		1720		1611		1754
	1514		1726		1612	6T-0624 . . . . .	1716
6N-2188 . . . . .	1511		1729		1615		1754
	1514		1738		1724	6T-0625 . . . . .	1716
6N-2190 . . . . .	1511		1741		1727		1755
	1514		1762		1730	6T-0626 . . . . .	1716
6N-2191 . . . . .	1511		1764	6T-0363 . . . . .	1561		1754
	1514		1767		1658	6T-0627 . . . . .	1716
6N-2192 . . . . .	1511	6N-4379 . . . . .	1931		1661		1754
	1514		1940		1664	6T-0628 . . . . .	1716
6N-2193 . . . . .	1511		1946		1674		1755
	1514		1960		1679	6T-0631 . . . . .	1716
6N-3169 . . . . .	1491		1962		1684		1754
	1493		1966		1689	6T-0632 . . . . .	1716
	1499	6N-4414 . . . . .	1002		1694		1754
	1502		1007		1699	6T-0634 . . . . .	1716
6N-3170 . . . . .	1385		1010		1703		1754
	1402		1012		1706	6T-0635 . . . . .	1754
	1491		1014		1712	6T-0636 . . . . .	1754
	1493		1016		1720	6T-0637 . . . . .	1755
	1497		1018		1723	6T-0638 . . . . .	1754
	1499	6N-4857 . . . . .	828		1726	6T-0639 . . . . .	1754
	1502	6N-5004 . . . . .	818		1729	6T-0640 . . . . .	1711
	1504		824		1732		▶ 1716
	2007	6N-5475 . . . . .	772		1735	6T-0645 . . . . .	1716
	2009		774		1738		1754
	2081	6N-5476 . . . . .	772	6T-0371 . . . . .	1561	6T-0647 . . . . .	▶ 1719
6N-3279 . . . . .	1659		774		1658		▶ 1720
	1661	6N-5595 . . . . .	563		1661		1770
	1664		564		1664	6T-1119 . . . . .	1609
	1667		568		1674		1611
	1670		569		1679	6T-1120 . . . . .	1609
	1675	6N-7959 . . . . .	932		1684		1611
	1680		933		1689		1612
	1685	6N-7960 . . . . .	▶ 824		1694		1615
	1689		932		1699		1733
	1694		933		1703		1739
	1699	6N-7962 . . . . .	818		1706	6T-1121 . . . . .	1609
	1704		824		1712	6T-1124 . . . . .	1612
	1707	6N-8659 . . . . .	1630		1720		1615
	1712		1633		1723		1724
	1721	6N-8744 . . . . .	30		1726		1727

# PART NUMBER INDEX

Part	Page	Part	Page	Part	Page	Part	Page
	1730		1774		1479		214
6T-1546 . . . . .	1353	6V-0511 . . . . .	▶1732		2129		216
6T-3631 . . . . .	1620		▶1735		2130		218
	1621		1776		2135		224
	1623		1780		2136		249
	1792	6V-0740 . . . . .	1304		2138		256
	1793		1305	6V-1581 . . . . .	308		264
	1814	6V-0884 . . . . .	1716		574		302
	1866		1754	6V-1582 . . . . .	308		314
	1867	6V-0890 . . . . .	▶1738		574		315
	1869	6V-0895 . . . . .	1242	6V-1612 . . . . .	307		318
	1870		1244		873		320
	2054	6V-0927 . . . . .	▶1741	6V-1867 . . . . .	309		768
6T-3632 . . . . .	1620		1771		693		986
	1621	6V-0973 . . . . .	350	6V-1868 . . . . .	309		988
	1623		352		693		1472
	1792		447	6V-1903 . . . . .	302		2130
	1793		448		684		2132
	1814		449		1478		2137
	1866	6V-1240 . . . . .	1378	6V-2369 . . . . .	1449		2138
	1867		1382	6V-2384 . . . . .	664	6V-3349 . . . . .	454
	1869	6V-1250 . . . . .	1167		668	6V-3507 . . . . .	1894
	1870		1214		670		2065
	2054		1217		678		2071
6T-3633 . . . . .	1620		1219		680		2075
	1621		1220	6V-2673 . . . . .	1350	6V-3537 . . . . .	366
	1623		1221		1353		368
	1792		1222	6V-2686 . . . . .	1621	6V-3767 . . . . .	18
	1793		1223		1623	6V-3769 . . . . .	18
	1814		1224		1975	6V-3770 . . . . .	7
	1866		1226		1976	6V-3772 . . . . .	6
	1867		1228	6V-2687 . . . . .	2035		17
	1869		1230	6V-2689 . . . . .	1870	6V-3773 . . . . .	17
	1870		1231	6V-2695 . . . . .	856	6V-3774 . . . . .	7
	2054		1232		865		10
6T-3642 . . . . .	1351		1233		868		14
	1353		2139	6V-2722 . . . . .	1408		18
6T-3644 . . . . .	1350	6V-1322 . . . . .	1658	6V-2744 . . . . .	1449	6V-3775 . . . . .	18
	1353		1661	6V-2751 . . . . .	907	6V-3776 . . . . .	6
	1355		1664		908		18
	1794		1667		909	6V-3777 . . . . .	6
6T-3645 . . . . .	1356		1670		924		18
6T-3646 . . . . .	1412		1674		925	6V-3778 . . . . .	18
6T-3701 . . . . .	1614		1684		929	6V-3781 . . . . .	7
6T-4006 . . . . .	1404		1723		931		18
6T-4007 . . . . .	1353		1726		934	6V-3782 . . . . .	18
6T-4751 . . . . .	1619		1729	6V-3279 . . . . .	961	6V-3783 . . . . .	6
6T-6651 . . . . .	1350		1733		964		10
	1353		1735	6V-3319 . . . . .	313		13
6T-7034 . . . . .	523		1738		362		17
	536		1741		364	6V-3822 . . . . .	701
6V-0267 . . . . .	457	6V-1394 . . . . .	1627		844	6V-3907 . . . . .	320
	476		1635		854		322
	496		1638		862		455
	500		1640		2133		457
	503		1643	6V-3348 . . . . .	82		460
	506		1646		100		463
	510	6V-1454 . . . . .	302		102		467
6V-0268 . . . . .	457		315		126		470
	476		320		127		474
	496		322		129		476
	500		362		132		2131
	503		364		135	6V-3908 . . . . .	318
	506		643		137		319
	510		645		139		496
6V-0301 . . . . .	302		652		141		500
	684		654		143		503
	1478		688		144		506
6V-0387 . . . . .	24		784		145		510
6V-0405 . . . . .	102		787		147		2129
6V-0491 . . . . .	1438		790		194		2134
6V-0500 . . . . .	▶1723		803		200		2136
6V-0501 . . . . .	▶1726		805		204	6V-3916 . . . . .	1627
6V-0508 . . . . .	▶1729		807		210		1635

# PART NUMBER INDEX

Part	Page	Part	Page	Part	Page	Part	Page
	1638		352		974	6V-5049 . . . . .	1002
	1640		354		978		1004
	1643	6V-4320 . . . . .	1744		981		1007
	1646		▶1745		984		1010
6V-3917 . . . . .	313	6V-4362 . . . . .	1188		985		1012
	362		1235		986		1014
	364		1237		988		1016
	844		1239		1002		1018
	852	6V-4363 . . . . .	1174		1004		1021
	854		1178		1007		1023
	862		1182		1010		1025
	2133		1185		1012		1237
6V-3935 . . . . .	1627		1188		1014		1239
	1635		1191		1016	6V-5050 . . . . .	302
	1638		1195		1018		684
	1640	6V-4368 . . . . .	312		1021		1478
	1643		496		1025	6V-5054 . . . . .	302
	1646		503		1031		860
6V-3937 . . . . .	1638		506		1033		1472
	1640	6V-4501 . . . . .	1630		1047	6V-5055 . . . . .	911
	1646		1633		1048	6V-5066 . . . . .	302
6V-3938 . . . . .	1627	6V-4589 . . . . .	302		1064		315
	1635		322		1071		318
	1638		362		1079		319
	1640		364		1087		320
	1643		497		1088		322
	1646		501		1097		362
6V-3939 . . . . .	1635		503		1122		364
	1638		506		1130		654
	1640		510		1131		688
	1643		526		1145		708
	1646		530		1152		1479
6V-3940 . . . . .	1627		532		1201		2129
	1635		1002		1204		2130
	1637		1004		1361		2131
	1638		1014		1477		2134
	1640		1018		1522		2135
	1643		1267		1587		2136
	1646		1304		1835		2138
6V-3941 . . . . .	1627		1305		1839	6V-5100 . . . . .	513
	1638		1474		1899		534
	1640		1477		1901		536
	1646		2133		1903	6V-5101 . . . . .	295
6V-3959 . . . . .	1627	6V-4605 . . . . .	302		1919		298
	1635		871		1921		302
	1638		1473		1923		312
	1640	6V-4606 . . . . .	302		1924		316
	1646		871		1926		320
6V-3971 . . . . .	1627		1473		1928		345
	1635	6V-5016 . . . . .	1815		1929		347
	1638	6V-5029 . . . . .	1305		1931		348
	1640	6V-5044 . . . . .	883		1933		352
	1643	6V-5048 . . . . .	302		1935		354
	1646		310		1940		356
6V-4155 . . . . .	1658		318		1941		358
6V-4245 . . . . .	782		319		1943		360
6V-4246 . . . . .	▶1744		320		1945		362
	1751		322		1948		364
	1753		362		1952		846
6V-4248 . . . . .	302		364		1954		854
	910		455		1956		860
	911		457		1958		862
	1480		460		1960		868
6V-4314 . . . . .	103		463		1962		1472
	105		467		1964		2129
	312		470		1966		2134
	348		474		1968		2137
	350		476		2012	6V-5103 . . . . .	302
	352		497		2013		846
	354		500		2015		860
	356		503		2016		1472
	447		506		2131	6V-5134 . . . . .	302
6V-4315 . . . . .	348		510		2136		526
	350		603		2138		528

# PART NUMBER INDEX

Part	Page	Part	Page	Part	Page	Part	Page
	1474	6V-6809 . . . . .	315		1304		1355
6V-5136 . . . . .	1850		362		1307		1362
6V-5167 . . . . .	313		364		1309		1625
	362		710		1311		1794
	364		712		1313		1801
	844		778		1316		1802
	852		784		1319		1803
	854		790	6V-8188 . . . . .	586		1805
	862		2129		593		1890
	2133		2130		1611		1891
6V-5182 . . . . .	2030		2135		1652		2017
	2039		2136		1655		2021
	2042		2138		1658		2025
	2045	6V-6939 . . . . .	660		1662		2029
	2048		662		1665		2034
	2051	6V-6940 . . . . .	670		1668		2048
6V-5218 . . . . .	699		678		1671		2051
6V-5496 . . . . .	18		680		1674		2069
6V-5504 . . . . .	852		682		1675		2071
	856	6V-6941 . . . . .	660		1684		2073
	865		662		1724		2075
6V-5539 . . . . .	▶1746	6V-7196 . . . . .	34		1727	6V-8377 . . . . .	1618
6V-5540 . . . . .	1746		327		1730		1801
	▶1747		329		1733		1802
6V-5582 . . . . .	1746	6V-7351 . . . . .	104		1736		1803
	▶1748	6V-7646 . . . . .	782		1739		1805
6V-5683 . . . . .	816		1907		1742		1894
6V-5734 . . . . .	1850		1915		1748		2095
6V-5817 . . . . .	1448		2034		1764		2096
	1449	6V-7681 . . . . .	550		1767	6V-8378 . . . . .	1356
	1454		2130		1782		1679
	1455	6V-7991 . . . . .	172	6V-8189 . . . . .	799		1706
	1456		173	6V-8252 . . . . .	1630		1713
6V-5818 . . . . .	1448		175		1633		1721
	1454		176	6V-8260 . . . . .	196		1864
	1455		177		204		1867
6V-5819 . . . . .	1448		178		210		1869
	1449		179		214	6V-8382 . . . . .	1867
	1454		180		216		1871
	1455	6V-8001 . . . . .	320		218		2034
6V-5947 . . . . .	6		322		224		2054
	18		455		315	6V-8398 . . . . .	719
6V-5949 . . . . .	6		460		986		721
	18		463		988	6V-8626 . . . . .	309
6V-5950 . . . . .	6		468		2130		528
6V-5998 . . . . .	18		470	6V-8287 . . . . .	772	6V-8650 . . . . .	1850
6V-6228 . . . . .	43		474		774	6V-8716 . . . . .	309
	302		476	6V-8363 . . . . .	1351		697
	362	6V-8002 . . . . .	457		1625	6V-8791 . . . . .	310
	364		468	6V-8365 . . . . .	1412		697
	1474		471	6V-8367 . . . . .	1867	6V-8801 . . . . .	617
6V-6353 . . . . .	816		474		1871		623
6V-6428 . . . . .	10		2131		2034		626
	14	6V-8139 . . . . .	974		2054		627
6V-6429 . . . . .	7		1048	6V-8368 . . . . .	1894		632
6V-6431 . . . . .	6		1088	6V-8370 . . . . .	1625		636
	10		1131	6V-8373 . . . . .	1611		641
	14	6V-8172 . . . . .	30		1615		778
6V-6609 . . . . .	302	6V-8182 . . . . .	614		1615		778
	318		615		1733		889
	319		617		1739		2081
	605		632	6V-8374 . . . . .	1620	6V-8823 . . . . .	474
	607		636		1621	6V-8906 . . . . .	6
	686		641		1623		17
	688	6V-8185 . . . . .	1348		1792	6V-9007 . . . . .	309
	708		1418		1793		697
	1478		1420		1814	6V-9027 . . . . .	302
	2131		1803		1866		320
	2136		1803		1867		322
6V-6703 . . . . .	1406	6V-8186 . . . . .	1801		1869		362
6V-6758 . . . . .	309		1802		1870		364
	528		1803		2054		650
6V-6759 . . . . .	309		1805	6V-8376 . . . . .	1350		654
	528	6V-8187 . . . . .	1300		1351		686
					1353		801



# PART NUMBER INDEX

Part	Page	Part	Page	Part	Page	Part	Page
	1475		1376		1140		2038
	1478		1378		1141		2041
6V-9029 . . . . .	672		1380	7C-0182 . . . . .	▶1820		2044
	674		1382	7C-0189 . . . . .	▶1520		2047
	676		1618	7C-0204 . . . . .	432		2050
	699		1905		434	7C-1505 . . . . .	▶1359
	700		1907	7C-0234 . . . . .	34	7C-1506 . . . . .	▶1360
6V-9170 . . . . .	309		1909	7C-0240 . . . . .	▶1404	7C-1707 . . . . .	1524
	528		1911	7C-0285 . . . . .	▶2077		1526
6V-9178 . . . . .	1168		1913		2081		1528
6V-9350 . . . . .	310		1915	7C-0286 . . . . .	▶2079		1530
	528		1918		2083		1532
6V-9673 . . . . .	1757		1931	7C-0287 . . . . .	▶2081		1534
	1759		1940	7C-0288 . . . . .	▶2083		1537
6V-9746 . . . . .	310		1946	7C-0289 . . . . .	▶2012		1539
	697		1960		▶2013		1541
6V-9769 . . . . .	295		1966	7C-0290 . . . . .	▶2015		1543
	298		1970		▶2016		1545
	316		1973	7C-0292 . . . . .	▶1896		1547
	362	7B-3235 . . . . .	186	7C-0295 . . . . .	2012		1549
	364		187		2015		1551
	686		327	7C-0296 . . . . .	2012		1553
	710		329		2015		1555
	712		331	7C-0305 . . . . .	961		1557
6V-9832 . . . . .	308		333	7C-0330 . . . . .	▶1393	7C-1882 . . . . .	▶1454
6V-9839 . . . . .	310		358		1394		1843
	697		360		1395	7C-2087 . . . . .	▶1007
6V-9853 . . . . .	309	7B-3395 . . . . .	701	7C-0331 . . . . .	▶1809	7C-2199 . . . . .	301
	697	7B-7714 . . . . .	1277	7C-0332 . . . . .	1809		1185
6V-9854 . . . . .	1543		1279	7C-0333 . . . . .	1809		1191
	1549		1292	7C-0340 . . . . .	1168		1474
	1553	7B-8057 . . . . .	701	7C-0341 . . . . .	1221		1477
	1555	7B-8167 . . . . .	1302	7C-0344 . . . . .	1168	7C-2233 . . . . .	9
6V-9874 . . . . .	309		1303	7C-0345 . . . . .	1219		17
	697		1559	7C-0504 . . . . .	▶329		▶1220
6V-9897 . . . . .	7		1560	7C-0526 . . . . .	▶1750	7C-2238 . . . . .	1168
	10		2001		▶1751	7C-2239 . . . . .	1220
	14		2003	7C-0527 . . . . .	▶1752	7C-2377 . . . . .	432
	18	7C-0077 . . . . .	1033		▶1753		436
	▶2139		1072	7C-0549 . . . . .	1996	7C-2431 . . . . .	372
6V-9995 . . . . .	323		1080		1998	7C-2450 . . . . .	329
6W-2928 . . . . .	308		1088	7C-0580 . . . . .	▶929		331
	528		1098		930	7C-2615 . . . . .	1219
	1539		1123		936		1220
	1553		1153		937		1221
	2012	7C-0078 . . . . .	1058	7C-0581 . . . . .	907		1222
	2015		1065		929		1226
6W-6672 . . . . .	523		1072	7C-0635 . . . . .	▶930		1228
	1425		1080	7C-0667 . . . . .	47		1230
	1835		1088	7C-0668 . . . . .	47		1232
	1839		1098	7C-0670 . . . . .	47	7C-2850 . . . . .	1039
			1106	7C-0672 . . . . .	47		▶1097
			1114	7C-0813 . . . . .	1915		1140
			1123	7C-0814 . . . . .	1918		1141
			1145	7C-0877 . . . . .	1217		1142
			1153	7C-0878 . . . . .	1217	7C-2870 . . . . .	1242
7B-1597 . . . . .	1169	7C-0080 . . . . .	970	7C-0972 . . . . .	1996		1244
	1171		1058		1998	7C-2945 . . . . .	1996
7B-2742 . . . . .	575		1089	7C-0973 . . . . .	1977	7C-2946 . . . . .	1483
	576	7C-0081 . . . . .	1057		1978		1485
	578		1079	7C-0974 . . . . .	2018		1487
	580		1087		2022		1489
	582		1097		2026	7C-2954 . . . . .	2034
	584		1105		2030		2091
	591		1113		2038	7C-2972 . . . . .	850
	858		1144		2041	7C-2976 . . . . .	▶850
	1002		1152		2044	7C-3003 . . . . .	1217
	1007	7C-0082 . . . . .	970		2047	7C-3004 . . . . .	1217
	1010		1058		2050	7C-3005 . . . . .	1217
	1012		1089	7C-1009 . . . . .	2018	7C-3015 . . . . .	1217
	1014	7C-0083 . . . . .	1039		2022	7C-3016 . . . . .	1217
	1016		▶1079		2026	7C-3017 . . . . .	1217
	1018		1142		2030	7C-3018 . . . . .	1065
	1234	7C-0084 . . . . .	▶1087		2034		1072

7

# PART NUMBER INDEX

Part	Page	Part	Page	Part	Page	Part	Page
	1079		1071	7C-4422 . . . . .	454	7C-7678 . . . . .	1174
	1097		1079	7C-4423 . . . . .	454		1178
	1105		1097	7C-4429 . . . . .	1511		1191
	1113		1105		1514		1192
	1122		1113	7C-4431 . . . . .	1122		1194
	1144		1122	7C-4550 . . . . .	1160	7C-7682 . . . . .	1174
	1152		1144		2017		1178
7C-3023 . . . . .	1045		1152		2021		1191
	▶1105	7C-3986 . . . . .	1250		2025		1194
	1143	7C-3988 . . . . .	1065		2029	7C-7683 . . . . .	1174
7C-3036 . . . . .	1185		1072		2033		1178
	1191		1080		2038		1191
	1235		1098		2041		1194
7C-3258 . . . . .	196		1106		2044	7C-7808 . . . . .	394
	204		1114		2047		395
	208		1123		2050		396
	210		1145		2091		407
	214		1153	7C-4714 . . . . .	448		409
	222	7C-3998 . . . . .	▶970	7C-4715 . . . . .	356		411
	224		1079		358		413
	228		1097		360		415
	240		1105	7C-4716 . . . . .	356	7C-7909 . . . . .	302
	245		1113		449		846
	249	7C-3999 . . . . .	▶981	7C-4910 . . . . .	1867		860
	256		1079		1870		1472
	262		1097		2091	7C-7910 . . . . .	302
	264		1122	7C-5015 . . . . .	494		846
7C-3259 . . . . .	204		1152	7C-5029 . . . . .	▶1350		860
	214	7C-4000 . . . . .	970		1602		1472
	228	7C-4032 . . . . .	228		1605	7C-8053 . . . . .	▶72
	240	7C-4062 . . . . .	2000	7C-5075 . . . . .	2034	7C-8054 . . . . .	▶73
	256	7C-4065 . . . . .	2063		2091	7C-8055 . . . . .	▶75
7C-3260 . . . . .	196		2077	7C-5076 . . . . .	2034	7C-8199 . . . . .	302
	208	7C-4066 . . . . .	2063		2091		846
	210		2077	7C-5105 . . . . .	1483		860
	222	7C-4113 . . . . .	▶194		1485		1472
	224	7C-4127 . . . . .	▶1897		1487	7C-8390 . . . . .	454
	245	7C-4128 . . . . .	494		1489	7C-8460 . . . . .	▶77
	249	7C-4130 . . . . .	494		1493	7C-8461 . . . . .	▶78
	262	7C-4164 . . . . .	226		1495	7C-8468 . . . . .	72
	264	7C-4165 . . . . .	34		1497		75
7C-3371 . . . . .	▶1642		38		1504	7C-8469 . . . . .	▶80
7C-3372 . . . . .	1642		194	7C-5230 . . . . .	654	7C-8565 . . . . .	▶699
	▶1643		200	7C-5275 . . . . .	1594	7C-8603 . . . . .	1191
7C-3373 . . . . .	▶1645		245		▶1602	7C-8604 . . . . .	1191
7C-3374 . . . . .	1645		249	7C-5276 . . . . .	▶1594	7C-8689 . . . . .	1862
	▶1646		256	7C-5485 . . . . .	454	7C-8692 . . . . .	1863
7C-3493 . . . . .	742		393	7C-5681 . . . . .	1045	7C-8917 . . . . .	1123
	744		397		▶1113		1145
7C-3614 . . . . .	730		398		1143		1153
	▶742	7C-4262 . . . . .	1064	7C-6121 . . . . .	2017	7C-8918 . . . . .	1123
	▶744		1072		2021		1145
7C-3764 . . . . .	6		1097		2025		1153
	13		1113		2029	7C-8919 . . . . .	1123
	▶1221		1122		2033		1145
7C-3898 . . . . .	1485		1144	7C-6209 . . . . .	112		1153
	1489		1152		113	7C-9070 . . . . .	▶1947
7C-3900 . . . . .	1031	7C-4350 . . . . .	▶494		114	7C-9075 . . . . .	▶1862
	1033	7C-4354 . . . . .	1526	7C-6217 . . . . .	166	7C-9077 . . . . .	▶1863
	1065		1528	7C-6366 . . . . .	▶479	7C-9112 . . . . .	699
	1072		1534	7C-6708 . . . . .	933	7C-9113 . . . . .	701
	1080		1539	7C-6752 . . . . .	▶345	7C-9114 . . . . .	668
	1098		1553	7C-6956 . . . . .	▶122	7C-9117 . . . . .	656
	1105	7C-4370 . . . . .	1996		144	7C-9119 . . . . .	664
	1113		1998	7C-6957 . . . . .	▶144	7C-9130 . . . . .	1991
	1123	7C-4371 . . . . .	1559		▶145	7C-9179 . . . . .	2017
	1144	7C-4378 . . . . .	2000	7C-7446 . . . . .	824		2038
	1153	7C-4382 . . . . .	1485	7C-7447 . . . . .	824	7C-9217 . . . . .	496
7C-3982 . . . . .	1080		1489	7C-7520 . . . . .	701		500
	1098	7C-4415 . . . . .	454	7C-7677 . . . . .	1174		503
	1106	7C-4416 . . . . .	454		1178		506
	1114	7C-4417 . . . . .	454		1191	7C-9242 . . . . .	▶664
	▶1250	7C-4420 . . . . .	454		1192	7C-9243 . . . . .	▶666
7C-3985 . . . . .	1064	7C-4421 . . . . .	454		1194	7C-9244 . . . . .	▶668

# PART NUMBER INDEX

Part	Page	Part	Page	Part	Page	Part	Page
7C-9245 . . . . .	▶656		329	7E-2891 . . . . .	895		▶1163
7C-9328 . . . . .	▶700		331	7E-2909 . . . . .	302	7E-5562 . . . . .	1064
7C-9329 . . . . .	▶701		333		526		1071
7C-9365 . . . . .	1361	7E-0015 . . . . .	302		1474		1163
	1364		1479	7E-2910 . . . . .	302	7E-5563 . . . . .	1064
	▶1811	7E-0274 . . . . .	208		526		1071
7C-9576 . . . . .	▶1168		222		1474		1163
7C-9577 . . . . .	▶1168		245	7E-2940 . . . . .	937	7E-5842 . . . . .	▶1361
7C-9578 . . . . .	▶1168		262		938		1594
7C-9597 . . . . .	302	7E-0275 . . . . .	196		942	7E-5859 . . . . .	▶153
	690		208		943	7E-5861 . . . . .	▶154
	693		210		947		167
	1479		222		950	7E-5862 . . . . .	154
7C-9600 . . . . .	1560		224		952	7E-5910 . . . . .	2118
	2003		245		953	7E-6016 . . . . .	320
7C-9639 . . . . .	170		249	7E-2943 . . . . .	937		609
	▶177		262		938		610
	340		264		942	7E-6017 . . . . .	609
	387	7E-0359 . . . . .	816		943		610
7C-9641 . . . . .	170	7E-0360 . . . . .	816		947	7E-6247 . . . . .	▶1469
	▶178	7E-0467 . . . . .	479		952		▶1470
	183		480		953	7E-6369 . . . . .	308
7C-9642 . . . . .	1064	7E-0854 . . . . .	187	7E-3127 . . . . .	1359		496
	1071	7E-0907 . . . . .	1065	7E-3156 . . . . .	▶2095	7E-6466 . . . . .	650
	1144		1072	7E-3159 . . . . .	▶2096	7E-6468 . . . . .	▶571
7C-9688 . . . . .	175		1123	7E-3381 . . . . .	1232	7E-6469 . . . . .	▶1522
	176	7E-0909 . . . . .	1122	7E-3382 . . . . .	1228	7E-6508 . . . . .	302
	177	7E-0915 . . . . .	1064	7E-3449 . . . . .	1064		428
	178		1071		1071		430
7C-9689 . . . . .	175		1122		1122		1475
	176	7E-0924 . . . . .	1064		295	7E-6513 . . . . .	428
	177		1071	7E-3772 . . . . .	298		1447
	178		1122		316	7E-6815 . . . . .	49
7C-9784 . . . . .	4	7E-1078 . . . . .	302		432	7E-6818 . . . . .	49
	8		526		436	7E-6872 . . . . .	20
	12		1474	7E-3894 . . . . .	270		22
	15	7E-1079 . . . . .	302	7E-3897 . . . . .	268		▶323
	20		526		270	7E-7395 . . . . .	▶904
	22		1474		272	7E-7400 . . . . .	75
	▶480	7E-1234 . . . . .	1979	7E-3921 . . . . .	1174		80
7C-9786 . . . . .	480		▶1989		1178	7E-7401 . . . . .	72
7C-9791 . . . . .	1168	7E-1456 . . . . .	302		1191		73
7C-9795 . . . . .	1168		684		1195		75
7C-9856 . . . . .	▶525		1478	7E-4127 . . . . .	295		80
7C-9938 . . . . .	6	7E-1457 . . . . .	▶1121	7E-4201 . . . . .	111	7E-7402 . . . . .	77
	9	7E-1754 . . . . .	362	7E-4537 . . . . .	1039		78
	13		364		▶1122	7E-7410 . . . . .	72
	17		876		1140		75
	20		877		1141	7E-7411 . . . . .	73
	22	7E-2326 . . . . .	302		1142		80
	▶347		860	7E-4609 . . . . .	167	7E-7412 . . . . .	77
7D-1649 . . . . .	778		1472	7E-4650 . . . . .	778	7E-7414 . . . . .	78
	876	7E-2580 . . . . .	302	7E-4663 . . . . .	147	7E-7423 . . . . .	77
	1862		1211	7E-4664 . . . . .	▶147		78
	1863		1212	7E-4725 . . . . .	111	7E-7424 . . . . .	72
7D-4092 . . . . .	1532		1216	7E-4770 . . . . .	111		73
7D-4493 . . . . .	799		1480	7E-4836 . . . . .	▶331		75
7D-4903 . . . . .	1004	7E-2627 . . . . .	▶702		▶333		80
	1018	7E-2630 . . . . .	312	7E-4838 . . . . .	331	7E-7425 . . . . .	77
			320		333		78
7D-5037 . . . . .	1806		345	7E-4839 . . . . .	331	7E-7426 . . . . .	72
7D-5473 . . . . .	1374		347		333		73
	1391		348	7E-4840 . . . . .	331		75
	1398		350		333		80
	1402		352	7E-4841 . . . . .	331	7E-7428 . . . . .	75
	1798		354	7E-4848 . . . . .	1122		80
	1800		2137	7E-4879 . . . . .	778	7E-7429 . . . . .	72
7D-6922 . . . . .	1345	7E-2681 . . . . .	2118	7E-4897 . . . . .	▶111		73
	1416	7E-2747 . . . . .	816	7E-4940 . . . . .	▶123		75
7D-7233 . . . . .	1532		145		135		77
7D-7509 . . . . .	851	7E-2865 . . . . .	147		49	7E-5322 . . . . .	78
7D-8793 . . . . .	467		▶2140	7E-5324 . . . . .	1		80
	470		2140		266	7E-7431 . . . . .	78
	474	7E-2866 . . . . .	2140		1122	7E-7432 . . . . .	73
7D-9766 . . . . .	327	7E-2889 . . . . .	895				

# PART NUMBER INDEX

Part	Page	Part	Page	Part	Page	Part	Page
	80	7E-8926 . . . . .	24		1699		389
7E-7434 . . . . .	77	7E-8948 . . . . .	1039		1703	7F-8897 . . . . .	52
	78		1140		1707	7F-9504 . . . . .	294
7E-7435 . . . . .	72		1141		1712	7G-1239 . . . . .	447
	73		1142		1720		448
	75	7E-8949 . . . . .	1045		1723		449
	80		1143		1726	7G-5984 . . . . .	309
7E-7436 . . . . .	72	7E-8960 . . . . .	1350		1729	7G-5985 . . . . .	309
	73	7E-8973 . . . . .	302		1732	7G-7906 . . . . .	1719
7E-7463 . . . . .	78		684		1738		1754
7E-7464 . . . . .	78		1478		1761	7G-7920 . . . . .	1432
7E-7465 . . . . .	78	7E-9252 . . . . .	22	7F-3494 . . . . .	1679		1436
7E-7469 . . . . .	77		506		1680	7G-8478 . . . . .	770
7E-7470 . . . . .	77	7E-9437 . . . . .	1524		1689		774
	78	7E-9534 . . . . .	978		1694	7G-8765 . . . . .	1829
7E-7472 . . . . .	75	7E-9780 . . . . .	750		1695	7G-9730 . . . . .	2034
	80		766		1699		2054
7E-7473 . . . . .	72	7E-9781 . . . . .	758		1703	7H-3171 . . . . .	126
	73		766		1706		129
	75	7F-0192 . . . . .	455		1707		132
	77		458		1712		139
	78		460		1720		141
	80		463	7F-3525 . . . . .	1561		143
7E-7474 . . . . .	73		467		1658		144
	80		470		1661		145
7E-7475 . . . . .	73		474		1664		147
	80		476		1674	7H-9678 . . . . .	1027
7E-7476 . . . . .	73		1002		1679	7H-9899 . . . . .	990
	80		1004		1684		992
7E-7477 . . . . .	75		1007		1689	7J-0204 . . . . .	726
	80		1010		1694		1874
7E-7478 . . . . .	75		1014		1699	7J-0728 . . . . .	1534
	80		1021		1703		1537
7E-7479 . . . . .	75		1025		1706		1539
	80	7F-1866 . . . . .	539		1712		1541
7E-7480 . . . . .	75		541		1720		1543
	80		545		1723		1545
7E-7481 . . . . .	75		547		1726		1547
	80	7F-2060 . . . . .	302		1729		1549
7E-7482 . . . . .	75		526		1732		1551
	80		1474		1735		1553
7E-7483 . . . . .	75	7F-2836 . . . . .	734		1738		1555
	80		736		1761	7J-0729 . . . . .	1534
7E-7484 . . . . .	72		738	7F-5634 . . . . .	994		1537
	75		742		996		1539
7E-7497 . . . . .	78	7F-3425 . . . . .	654		998		1541
7E-7499 . . . . .	77	7F-3488 . . . . .	1658		1000		1543
	78		1662	7F-6547 . . . . .	24		1545
7E-7501 . . . . .	72		1665	7F-6923 . . . . .	1815		1547
	73		1667	7F-7621 . . . . .	1313		1549
	75		1670		1319		1551
	80		1674	7F-7622 . . . . .	1804		1553
7E-7503 . . . . .	75		1679	7F-8501 . . . . .	1209		1555
	80		1684	7F-8671 . . . . .	1627	7J-8114 . . . . .	194
7E-7576 . . . . .	1806		1689		1635		198
7E-7647 . . . . .	20		1694		1638		200
	22		1699		1640		242
	196		1703		1643		245
7E-7731 . . . . .	782		1706		1646		249
	1348		1712	7F-8698 . . . . .	302		253
7E-7848 . . . . .	1990		1720		1211		256
7E-7933 . . . . .	649		1724		1212		315
7E-7950 . . . . .	302		1727		1214		2130
	1368		1730		1216		2138
	1473		1733		1222	7J-8611 . . . . .	1398
7E-8516 . . . . .	907		1736		1226		1630
	908		1739		1480		1633
	909		1741	7F-8896 . . . . .	381	7J-8902 . . . . .	1750
7E-8550 . . . . .	854	7F-3491 . . . . .	1658		382		1751
	862		1674		383		1752
7E-8721 . . . . .	1952		1679		384		1753
7E-8722 . . . . .	1952		1684		386		1770
7E-8779 . . . . .	270		1689		387		1771
7E-8923 . . . . .	24		1694		388		1772

# PART NUMBER INDEX

Part	Page	Part	Page	Part	Page	Part	Page
	1773		1203		705		1739
	1774		1204		844		1741
	1775		1516		2133	7M-0326 . . . . .	1658
	1776		1518	7L-5219 . . . . .	552		1661
	1777		1520		554		1664
	1778		1522	7L-5727 . . . . .	1269		1667
	1779		1630	7L-5887 . . . . .	1752		1670
	1780		1633		1753		1674
	1781		1899		1770		1679
7J-9108 . . . . .	1830		1901		1771		1684
	1831		1903		1772		1689
7K-1181 . . . . .	302		1926		1773		1694
	310		1931		1774		1699
	1477		1940		1775		1703
	1543		1946		1776		1706
	1549		1960		1777		1712
	1551		1962		1778		1720
	1553		1966	7L-6443 . . . . .	302		1723
	1555		1968		871		1726
	1835		2007		873		1729
	1839		2009		1473		1732
	1848		2081	7L-7871 . . . . .	▶ 1335		1735
	1931	7L-0486 . . . . .	621		▶ 1337		1738
	1940		624		▶ 1338		1741
	1946		627	7L-7872 . . . . .	▶ 1339	7M-0327 . . . . .	1658
	1960	7L-0487 . . . . .	621		▶ 1341		1661
	1962		624	7L-8074 . . . . .	1524		1664
	1966		627		1530		1667
7K-1308 . . . . .	1972	7L-0688 . . . . .	1350		1532		1670
7K-1401 . . . . .	666		1354		1534		1674
	682	7L-0811 . . . . .	513		1539		1679
7K-1402 . . . . .	666		534	7L-8316 . . . . .	1269		1684
	682		536		1600		1689
7K-3215 . . . . .	812	7L-2224 . . . . .	1300		1603		1694
	1871	7L-2894 . . . . .	1652	7L-9061 . . . . .	794		1699
	1926		1655		795		1703
	1968		1658		796		1706
7K-3377 . . . . .	302		1661		797		1712
	684		1664	7M-0324 . . . . .	1658		1720
	1175		1667		1662		1723
	1178		1670		1665		1726
	1183		1674		1667		1729
	1186		1675		1670		1732
	1189		1679		1674		1735
	1192		1680		1679		1738
	1194		1684		1684		1741
	1239		1685		1689	7M-0336 . . . . .	1680
	1478		1689		1694		1690
	1524		1690		1712		1695
	1526		1694		1720		1700
	1528		1695		1727		1704
	1809		1699		1730		1707
	1962		1700		1739		1713
	1966		1703		1741		1721
7K-4128 . . . . .	1271		1706	7M-0325 . . . . .	1658		1762
	1274		1707		1662	7M-1808 . . . . .	320
	1277		1712		1665		496
	1279		1720		1667		500
	1281		1723		1670		503
	1283		1726		1674		506
	1285		1729		1679		510
	1287		1732		1684	7M-4824 . . . . .	1716
	1289		1735		1689		1754
	1292		1738		1694	7M-7193 . . . . .	1306
	1596		1741		1699	7M-7219 . . . . .	1028
	1598		1761		1703		1029
7K-4129 . . . . .	1169		1762		1706		1030
	1171		1764		1712		1306
	1508		1767		1720	7M-7273 . . . . .	918
	1509	7L-4447 . . . . .	452		1724		919
7K-6536 . . . . .	1416	7L-4773 . . . . .	362		1727		927
7K-9197 . . . . .	1198		364		1730		930
	1199		684		1733		935
	1200		703		1736		936

# PART NUMBER INDEX

Part	Page	Part	Page	Part	Page	Part	Page
	937		168		545		374
	938	7N-1831 . . . . .	699		547		376
	941		700		603		378
	942		702	7N-2044 . . . . .	127	7N-2539 . . . . .	1200
	943	7N-1854 . . . . .	6		129		1489
	944		9		132		1504
	946		13		135		1899
	947		17		137		1901
	948		▶404	7N-2046 . . . . .	116		1919
	949	7N-1855 . . . . .	4		118		1921
	951		8		119		1933
	952		12		120		1935
	954		▶110		123		1952
7M-8485 . . . . .	310	7N-1858 . . . . .	6		124		1956
	697		17		2141	7N-2597 . . . . .	275
	1459		▶438	7N-2047 . . . . .	127		327
	1460	7N-1863 . . . . .	▶424		129		329
	1461	7N-1875 . . . . .	4		132		331
	1462		8		135		333
	1463		12		137	7N-3049 . . . . .	284
	1464		15		196		285
	1465		22		202		286
	1466		▶452		204		287
	1467	7N-1877 . . . . .	4		206		288
7M-8651 . . . . .	1658		8		208		289
	1662		15		210		290
	1665		▶612		212		291
	1667	7N-1896 . . . . .	▶1362		214		292
	1670	7N-1899 . . . . .	169		220		293
	1674	7N-1901 . . . . .	169		222		294
	1679	7N-1902 . . . . .	153		224		315
	1684		166		228		2130
	1689		167		238		2132
	1694		168		240		2138
	1699	7N-1903 . . . . .	166		242	7N-3194 . . . . .	824
	1703		167		245	7N-3216 . . . . .	44
	1706		168		249		46
	1712	7N-1904 . . . . .	166		253		47
	1720		167		256		48
	1724		168		260		49
	1727	7N-1961 . . . . .	155		262	7N-3218 . . . . .	44
	1730		159		264		47
	1733		165		285		48
	1736		169		288		49
	1739	7N-2003 . . . . .	111		289	7N-3297 . . . . .	302
	1741		112		961		686
7M-9909 . . . . .	321		113		964		710
	322		114	7N-2048 . . . . .	126		712
	803	7N-2038 . . . . .	129		129		1478
	805	7N-2042 . . . . .	118		132	7N-3298 . . . . .	86
	807		139		135		88
7M-9918 . . . . .	908	7N-2043 . . . . .	174		137		90
	909		177		139	7N-3368 . . . . .	303
	916		178		141		314
	917		179		143		315
	924		180		144		318
	925		190		145		319
	929		192		147		362
	931		366	7N-2049 . . . . .	129		364
	932		368		132		686
	933		370		135		703
	934		372		137		705
7N-0036 . . . . .	566		374	7N-2059 . . . . .	1623		710
7N-0060 . . . . .	1329		376		1625		712
	1331		378	7N-2326 . . . . .	323		844
	1333		455		324		1478
	1335		457	7N-2328 . . . . .	323		2132
	1337		460		324		2133
	1338		463	7N-2393 . . . . .	378		2138
	1342		470	7N-2394 . . . . .	378	7N-3413 . . . . .	438
7N-0140 . . . . .	1625		473	7N-2405 . . . . .	366	7N-3421 . . . . .	436
7N-0296 . . . . .	1625		476		368	7N-3667 . . . . .	992
7N-1628 . . . . .	1027		539		370	7N-3759 . . . . .	818
7N-1819 . . . . .	166		541		372		824

# PART NUMBER INDEX

Part	Page	Part	Page	Part	Page	Part	Page
7N-4076	190		904		2136	7N-5241	206
	192		1594		2137		220
	990	7N-4896	856	7N-4951	82		242
	992		865		100		260
7N-4106	▶391		868		102	7N-5243	206
7N-4319	91	7N-4897	856	7N-4952	82		208
	92		865		100		220
	94		868		102		222
	96	7N-4927	320	7N-4956	612		242
	98		322	7N-5014	232		245
7N-4320	91		646	7N-5049	539		260
	92		647		541		262
	94		648		545	7N-5244	30
	96		649		547		34
	98		650	7N-5057	539		198
	190		778		541		212
	192		784		545		226
	314		787		547		228
	318		790		2129		238
	319		2129		2134		242
	990	7N-4932	315	7N-5079	852		253
	992		605		856		762
	2132		607		865		764
7N-4756	770		688	7N-5080	295	7N-5245	238
	772		706		298		240
	774		708		303		242
7N-4758	651		2129		316		245
	726		2134		362		249
	770		2135		364		253
	772		2136		846		256
	774		2138		852		260
7N-4782	303	7N-4939	706		854		262
	321		708		856		264
	322	7N-4940	308		860	7N-5246	238
	428		706		862		240
	430		708		865		242
	432	7N-4941	688		868		245
	434		706		1472		249
	436		708	7N-5085	852		253
	438	7N-4944	688		854		256
	1475		706		856		260
7N-4851	4		708		862		262
	8	7N-4945	30		865		264
	12		35		868	7N-5248	198
	15		38	7N-5089	295		200
	20		86		298		216
	22		88		316		218
	▶232		90		362		242
	▶233		312		364		245
7N-4852	▶96		318		852		249
7N-4867	▶998		319		854		253
	1140		320		856		256
	1142		688		862	7N-5250	206
	1143		706		865		220
7N-4869	6		708		868		242
	9		1524	7N-5120	607		260
	13		1526		784	7N-5253	206
	17		1528		787		220
	▶1298		1530		790		242
7N-4871	4		1532	7N-5123	784		260
	8		1534		787	7N-5254	268
	12		1537		790		270
	15		1539	7N-5127	787		272
	▶198		1541		790	7N-5257	268
	▶200		1543	7N-5239	238		268
7N-4885	4		1545		240	7N-5259	268
	15		1547		242	7N-5263	238
	▶780		1549		245		240
	781		1551		249		242
	782		1553		253		245
7N-4895	856		1555		256		253
	865		1557		260		260
	868		2131		262	7N-5278	222
	901		2135		264	7N-5279	198

# PART NUMBER INDEX

Part	Page	Part	Page	Part	Page	Part	Page
	200		1226	7N-5701 . . . . .	986		582
	202	7N-5336 . . . . .	452		988		584
	204	7N-5343 . . . . .	961	7N-5740 . . . . .	30		591
	206		964	7N-5743 . . . . .	30	7N-6527 . . . . .	▶605
	208	7N-5345 . . . . .	961		198	7N-6570 . . . . .	517
	210		964		242		518
	212	7N-5352 . . . . .	961		253		520
	214		964	7N-5792 . . . . .	447		521
	216	7N-5358 . . . . .	961	7N-5796 . . . . .	447		523
	218		964		448	7N-6738 . . . . .	▶447
	220	7N-5360 . . . . .	961		449	7N-6782 . . . . .	▶843
	222		964	7N-5798 . . . . .	447	7N-6806 . . . . .	295
	224	7N-5367 . . . . .	964		448		298
	228	7N-5368 . . . . .	961		449		316
	242		964	7N-5874 . . . . .	196		321
	245	7N-5372 . . . . .	964		198		322
	249	7N-5376 . . . . .	961		200		362
	253		964		202		364
	256	7N-5378 . . . . .	964		204		1175
7N-5307 . . . . .	1214	7N-5412 . . . . .	510		206		1178
	1217	7N-5413 . . . . .	500		208		1191
	1224		510		210		1192
	1226	7N-5416 . . . . .	496		212		1194
7N-5308 . . . . .	1214		500		214	7N-6921 . . . . .	92
	1226		503		216	7N-6954 . . . . .	841
7N-5309 . . . . .	1214		506		218	7N-6955 . . . . .	840
	1217		510		220	7N-6956 . . . . .	842
	1224	7N-5449 . . . . .	539		222	7N-6957 . . . . .	841
	1226		541		224	7N-6958 . . . . .	842
7N-5310 . . . . .	1214		545		228	7N-6959 . . . . .	834
	1226		547		242	7N-6961 . . . . .	▶840
7N-5312 . . . . .	1214	7N-5487 . . . . .	1211		245	7N-6962 . . . . .	▶841
	1217		1212		249	7N-6963 . . . . .	▶842
	1224		1213		253	7N-6965 . . . . .	▶607
	1226		1214		256	7N-6967 . . . . .	▶834
7N-5313 . . . . .	1214		1216	7N-5875 . . . . .	198	7N-6968 . . . . .	▶835
	1217		1217		200	7N-6982 . . . . .	268
	1224		1219		216	7N-6983 . . . . .	268
	1226		1220		218		270
7N-5314 . . . . .	1214		1221		242	7N-6986 . . . . .	310
	1217		1222		245		693
	1224		1223		249	7N-6987 . . . . .	2005
	1226		1224		253		2007
7N-5315 . . . . .	1214		1226		256		2009
	1217		1228	7N-5876 . . . . .	2033		2013
	1224		1229		2054		2016
	1226		1230	7N-5906 . . . . .	1297		2081
7N-5317 . . . . .	1214		1231		1298		2083
	1217		1232	7N-5907 . . . . .	1297	7N-7008 . . . . .	607
	1224		1233		1298	7N-7009 . . . . .	607
	1226	7N-5622 . . . . .	327		835		609
7N-5318 . . . . .	1214	7N-5626 . . . . .	397	7N-5971 . . . . .	961		610
	1217		399	7N-5976 . . . . .	964		778
	1224	7N-5641 . . . . .	126		190	7N-7010 . . . . .	607
	1226		127	7N-5981 . . . . .	192	7N-7012 . . . . .	607
7N-5319 . . . . .	1214		129	7N-5984 . . . . .	961	7N-7057 . . . . .	230
	1217		132		964	7N-7069 . . . . .	▶588
	1224		135	7N-6233 . . . . .	1853	7N-7081 . . . . .	710
	1226		137	7N-6234 . . . . .	1853		712
7N-5320 . . . . .	1214		139	7N-6387 . . . . .	105	7N-7142 . . . . .	705
	1217		141		350	7N-7144 . . . . .	705
	1224		143		352	7N-7221 . . . . .	1438
	1226		144		356		1444
7N-5321 . . . . .	1217		145	7N-6388 . . . . .	348		1449
	1224		147		350		1455
7N-5322 . . . . .	1214	7N-5667 . . . . .	710		352		2051
	1217	7N-5694 . . . . .	986		354		2052
	1224		988	7N-6460 . . . . .	513	7N-7295 . . . . .	190
	1226	7N-5695 . . . . .	986		515		192
7N-5324 . . . . .	1214		988		534	7N-7296 . . . . .	190
	1226	7N-5696 . . . . .	986		536	7N-7297 . . . . .	190
7N-5325 . . . . .	1214		988	7N-6511 . . . . .	189		192
	1217	7N-5700 . . . . .	986		576	7N-7307 . . . . .	190
	1224		988		580		192



# PART NUMBER INDEX

Part	Page	Part	Page	Part	Page	Part	Page
7N-7308 . . . . .	190		1791	7N-8008 . . . . .	1866	7N-9942 . . . . .	1297
	192		1808		1869		1298
7N-7415 . . . . .	703		1809	7N-8011 . . . . .	394	7P-8672 . . . . .	1183
	705		1811		395		1186
7N-7416 . . . . .	799		1812		396		1189
7N-7435 . . . . .	26		1829	7N-8041 . . . . .	▶396		1192
	28		1846	7N-8042 . . . . .	▶415		1194
7N-7442 . . . . .	26		1975	7N-8204 . . . . .	1809	7S-1197 . . . . .	1865
	28		2097	7N-8205 . . . . .	1455		1866
7N-7445 . . . . .	26	7N-7780 . . . . .	797	7N-8374 . . . . .	1		2055
	28		1350		83	7S-2245 . . . . .	603
7N-7446 . . . . .	26		1353		196	7S-4338 . . . . .	1353
	28		1354		202		1794
7N-7447 . . . . .	26		1358		204	7S-5005 . . . . .	1252
	28		1365		206		1254
7N-7448 . . . . .	26		1438		208	7S-5041 . . . . .	1327
	28		1448		210	7S-8420 . . . . .	605
7N-7450 . . . . .	26		1449		212		706
	28		1454		214	7S-9323 . . . . .	1027
7N-7451 . . . . .	26		1455		216	7T-0037 . . . . .	1160
	28		1456		218		2030
7N-7494 . . . . .	1854		1582		220	7T-0794 . . . . .	1715
7N-7495 . . . . .	1854		1600		222		▶1757
7N-7496 . . . . .	▶1853		1603		224	7T-0797 . . . . .	1673
7N-7500 . . . . .	477		1621		226		▶1759
7N-7539 . . . . .	194		1623		228	7T-0806 . . . . .	1673
	196		1625	7N-8527 . . . . .	573		▶1761
	198		1785	7N-8549 . . . . .	▶799	7T-2339 . . . . .	1757
	200		1786	7N-8599 . . . . .	▶1234		1759
	202		1787		1235	7T-3267 . . . . .	1652
	204		1791		1237		1655
	206		1808		1239		1765
	208		1809		1241		1768
	210		1811	7N-8634 . . . . .	530	7T-3268 . . . . .	1652
	212		1812		532		1655
	214		1829	7N-8636 . . . . .	530		1765
	216		1846	7N-8638 . . . . .	530		1768
	218		1975	7N-8640 . . . . .	5	7T-3269 . . . . .	1652
	220		2097		12		1764
	222	7N-7781 . . . . .	1350		▶530		1767
	224		1353	7N-8661 . . . . .	▶1854	7T-3270 . . . . .	1652
	228		1358	7N-8673 . . . . .	5		1655
	242		1365		13		1764
	245		1785		▶703		1767
	249		1786	7N-8698 . . . . .	▶2121	7T-3271 . . . . .	1652
	253		1787		▶2124		1764
	256		1791	7N-8715 . . . . .	6		1767
7N-7660 . . . . .	▶230		1808		13	7T-3276 . . . . .	1652
7N-7697 . . . . .	320		1811		▶544		1655
	496		1812	7N-9017 . . . . .	1449		1764
	500		2097	7N-9044 . . . . .	688		1767
	503	7N-7782 . . . . .	1438		706	7T-3277 . . . . .	1652
	506		1448		708		1655
	510		1449	7N-9202 . . . . .	998		1764
7N-7732 . . . . .	234		1454	7N-9539 . . . . .	▶98		1767
7N-7779 . . . . .	797		1455	7N-9737 . . . . .	1448	7T-3278 . . . . .	1652
	1350	7N-7784 . . . . .	▶234		1449		1655
	1353	7N-7820 . . . . .	440		1454		1764
	1354		446		1455		1767
	1358	7N-7964 . . . . .	166		1603	7T-3279 . . . . .	1652
	1365		168		1621		1655
	1438	7N-7981 . . . . .	▶1322		1623		1764
	1448	7N-7986 . . . . .	▶1322		1625		1767
	1449	7N-7991 . . . . .	394	7N-9738 . . . . .	797	7T-3451 . . . . .	1652
	1454		395		1455		1655
	1455		396		1582		1764
	1456		407		1600		1767
	1582		409		1829	7T-3454 . . . . .	1652
	1600		411		1846		1655
	1603		413		1975		1764
	1621		415	7N-9776 . . . . .	1000		1767
	1623	7N-8001 . . . . .	▶1814	7N-9801 . . . . .	1625	7T-3973 . . . . .	1764
	1625		1866	7N-9941 . . . . .	1297		1767
	1785		1870		1298	7T-3974 . . . . .	1652

# PART NUMBER INDEX

Part	Page	Part	Page	Part	Page	Part	Page
	1655		389	7W-0709 . . . . .	▶1009		1224
	1659	7W-0283 . . . . .	▶336	7W-0733 . . . . .	1009	7W-2269 . . . . .	1223
	1661	7W-0284 . . . . .	▶337	7W-0910 . . . . .	1850	7W-2295 . . . . .	780
	1664		338	7W-0948 . . . . .	978	7W-2296 . . . . .	780
	1670		339		981	7W-2297 . . . . .	907
	1723		340		1089		908
	1726		341		1132		909
	1729		342	7W-0963 . . . . .	5		912
	1732	7W-0285 . . . . .	335		9		914
	1735		336		16		929
	1738		337		▶510		931
	1741		338	7W-0964 . . . . .	▶476		934
	1764		339	7W-1034 . . . . .	1217	7W-2299 . . . . .	907
	1767		340		1224		908
7T-6184 . . . . .	1625		341	7W-1035 . . . . .	1222		909
7T-6365 . . . . .	1350		342	7W-1063 . . . . .	166		929
7T-8854 . . . . .	▶1615		381		168		931
	1689		382	7W-1102 . . . . .	226		934
	1694		383	7W-1170 . . . . .	1350	7W-2300 . . . . .	826
	1703		384		1353	7W-2353 . . . . .	2066
	1712		386	7W-1171 . . . . .	1350		2068
	1720		387		1353		2081
	1761		388	7W-1255 . . . . .	8		2083
7T-9123 . . . . .	1611		389		15	7W-2354 . . . . .	2066
	1612	7W-0287 . . . . .	335		▶49		2083
	1615		337	7W-1363 . . . . .	1850	7W-2355 . . . . .	2066
	1662		338	7W-1436 . . . . .	17		2068
	1665		339		▶1222		2081
	1724		340	7W-1450 . . . . .	▶2099		2083
	1727		341	7W-1458 . . . . .	▶646	7W-2368 . . . . .	818
	1730		342	7W-1503 . . . . .	1089		824
	1733		381		1132	7W-2378 . . . . .	▶101
	1736		383	7W-1530 . . . . .	▶292	7W-2480 . . . . .	1182
	1739		384	7W-1929 . . . . .	611		1185
	1742		386	7W-1944 . . . . .	852		1188
7T-9517 . . . . .	1625		387		854	7W-2709 . . . . .	1412
7U-4891 . . . . .	1866		388		856		1414
	1869		389		862		1416
7V-1037 . . . . .	1630	7W-0296 . . . . .	1217		868		1418
	1633		1224	7W-1988 . . . . .	6		1420
7W-0050 . . . . .	541	7W-0370 . . . . .	432		17	7W-2710 . . . . .	1412
	545		434		▶370		1414
	547	7W-0373 . . . . .	169		▶372		1416
7W-0051 . . . . .	545	7W-0374 . . . . .	169	7W-2060 . . . . .	1891		1418
7W-0052 . . . . .	547	7W-0407 . . . . .	▶1323		2071		1420
7W-0053 . . . . .	544	7W-0408 . . . . .	▶1324		2075	7W-2731 . . . . .	2065
	▶545	7W-0409 . . . . .	▶1325	7W-2062 . . . . .	17		2071
7W-0054 . . . . .	▶547	7W-0410 . . . . .	▶1326		▶1223		2075
	550	7W-0482 . . . . .	2017	7W-2063 . . . . .	9	7W-2743 . . . . .	1353
7W-0081 . . . . .	893		2021		▶1224	7W-2899 . . . . .	1899
7W-0082 . . . . .	893		2025	7W-2122 . . . . .	1174		1901
7W-0088 . . . . .	1350		2029		1178		1919
	1353		2033		1182		1921
7W-0117 . . . . .	348		2038		1185		1952
	354		2041		1188		1956
7W-0129 . . . . .	345		2044		1191	7W-2937 . . . . .	1891
	347		2047		1192		▶1894
	352		2050		1194		2071
	356	7W-0495 . . . . .	812	7W-2124 . . . . .	308		2075
	358	7W-0522 . . . . .	845		697	7W-3031 . . . . .	282
	360		849	7W-2221 . . . . .	370	7W-3032 . . . . .	282
7W-0130 . . . . .	818		850		372	7W-3035 . . . . .	2071
	824		851		374		2075
	826		▶1515		376	7W-3194 . . . . .	▶179
7W-0131 . . . . .	818	7W-0552 . . . . .	374		378		182
	824	7W-0553 . . . . .	374		401		338
	826		376	7W-2233 . . . . .	▶168		384
7W-0214 . . . . .	112	7W-0612 . . . . .	794		169	7W-3285 . . . . .	▶1130
7W-0281 . . . . .	▶382	7W-0618 . . . . .	797	7W-2234 . . . . .	4		1140
7W-0282 . . . . .	▶383	7W-0619 . . . . .	796		15		1141
	▶384	7W-0620 . . . . .	794		▶169	7W-3294 . . . . .	▶1948
	▶386		795	7W-2236 . . . . .	1217	7W-3295 . . . . .	▶1950
	387	7W-0704 . . . . .	▶1358		1224	7W-3296 . . . . .	▶1951
	388	7W-0705 . . . . .	▶1367	7W-2237 . . . . .	1217	7W-3331 . . . . .	▶1140

# PART NUMBER INDEX

Part	Page	Part	Page	Part	Page	Part	Page
7W-3332 . . . . .	▶1140	7W-5235 . . . . .	1305		1618	7W-9345 . . . . .	1938
7W-3333 . . . . .	▶1141	7W-5236 . . . . .	1305	7W-7101 . . . . .	1299	7W-9346 . . . . .	1938
7W-3342 . . . . .	1489	7W-5237 . . . . .	▶418	7W-7107 . . . . .	▶1806	7W-9347 . . . . .	1929
	1499	7W-5293 . . . . .	▶419	7W-7110 . . . . .	1806		1958
	1502	7W-5314 . . . . .	1047	7W-7111 . . . . .	1806	7W-9348 . . . . .	1929
	1504		1057	7W-7322 . . . . .	▶1604	7W-9349 . . . . .	1924
7W-3355 . . . . .	▶1584		1079	7W-7323 . . . . .	▶1295	7W-9350 . . . . .	1924
	▶1585		1087	7W-7326 . . . . .	▶2102		1926
	1594		1105	7W-7336 . . . . .	883	7W-9359 . . . . .	▶1594
	1978		1130		885	7W-9360 . . . . .	▶1595
7W-3368 . . . . .	▶180	7W-5409 . . . . .	813	7W-7431 . . . . .	1520	7W-9449 . . . . .	▶1958
	339	7W-5455 . . . . .	807		1522		▶1960
	386	7W-5456 . . . . .	803	7W-7472 . . . . .	280	7W-9452 . . . . .	▶1962
7W-3414 . . . . .	646	7W-5769 . . . . .	764	7W-7632 . . . . .	▶1363	7W-9453 . . . . .	▶1964
	648	7W-5780 . . . . .	▶276		▶1364		▶1966
	649		▶277		1594	7W-9454 . . . . .	▶1968
7W-3415 . . . . .	336	7W-5848 . . . . .	▶609	7W-7767 . . . . .	1594	7W-9465 . . . . .	▶1235
	382	7W-5849 . . . . .	609		▶1619		▶1237
7W-3484 . . . . .	919	7W-5949 . . . . .	145	7W-7962 . . . . .	2005	7W-9466 . . . . .	▶1239
	▶931		147		2015	7W-9490 . . . . .	1935
	951		▶2128		2083		1956
	952	7W-5967 . . . . .	1603	7W-8010 . . . . .	920	7W-9491 . . . . .	1935
7W-3546 . . . . .	668	7W-6147 . . . . .	1907		▶932		1956
	670		1909		949	7W-9494 . . . . .	1943
7W-3548 . . . . .	668	7W-6288 . . . . .	658		950		1954
	670		672	7W-8011 . . . . .	926	7W-9495 . . . . .	1943
7W-3549 . . . . .	▶670		674		▶933		1954
7W-3555 . . . . .	1594		676		954	7W-9564 . . . . .	927
	▶1603	7W-6289 . . . . .	658		955		▶934
7W-3556 . . . . .	1242		672	7W-8051 . . . . .	1602		941
	1244		674		1604		942
7W-3570 . . . . .	▶826		676		1605	7W-9612 . . . . .	▶1355
	929	7W-6290 . . . . .	▶672		▶1796	7W-9613 . . . . .	▶1805
	931	7W-6291 . . . . .	672	7W-8053 . . . . .	1594	7W-9640 . . . . .	▶1356
	934	7W-6293 . . . . .	672		▶1604	7W-9703 . . . . .	▶590
7W-3721 . . . . .	288	7W-6295 . . . . .	▶674		▶1605	7W-9704 . . . . .	▶591
7W-3722 . . . . .	5	7W-6296 . . . . .	674	7W-8105 . . . . .	58		▶593
	8	7W-6298 . . . . .	674		62	7W-9741 . . . . .	4
	12	7W-6300 . . . . .	▶676		66		8
	16	7W-6301 . . . . .	676		70		12
	▶286	7W-6303 . . . . .	676		▶280		15
	▶287	7W-6305 . . . . .	▶658	7W-8121 . . . . .	434		20
7W-3723 . . . . .	▶288	7W-6306 . . . . .	658		438		▶1010
7W-3724 . . . . .	5	7W-6308 . . . . .	658	7W-8145 . . . . .	316		▶1012
	8	7W-6401 . . . . .	▶105	7W-8401 . . . . .	616		▶1014
	12	7W-6492 . . . . .	303		631	7W-9742 . . . . .	▶1016
	16		348		635	7W-9743 . . . . .	▶1018
	▶293		354	7W-8402 . . . . .	616	7W-9745 . . . . .	5
7W-3740 . . . . .	1850		691		631		9
7W-3741 . . . . .	1850		694		635		12
7W-3745 . . . . .	1850		712		635		16
7W-3813 . . . . .	6		750		639		▶1182
	9		752	7W-8524 . . . . .	▶1564		▶1185
	13		754	7W-8667 . . . . .	1224	7W-9777 . . . . .	1962
	17		766	7W-8668 . . . . .	1224		1964
	21		769	7W-9032 . . . . .	1409		1966
	22		1480		▶1414	7W-9828 . . . . .	▶800
	▶405	7W-6534 . . . . .	816		▶1416	7W-9829 . . . . .	800
	▶406	7W-6778 . . . . .	1958		▶1418	7X-0265 . . . . .	1821
7W-3816 . . . . .	467		1960		▶1420		1822
	470		1968		1843		1823
	473	7W-6794 . . . . .	▶1353		1852		1824
	▶603		1604	7W-9033 . . . . .	1414		1825
7W-4363 . . . . .	▶1850	7W-6796 . . . . .	1353		1416		1826
7W-4422 . . . . .	178	7W-6955 . . . . .	▶1559		1418		1827
7W-4874 . . . . .	820		▶1560		1420	7X-0332 . . . . .	1487
	826		1602	7W-9094 . . . . .	694	7X-0370 . . . . .	617
7W-4923 . . . . .	979		1604	7W-9262 . . . . .	▶1952		632
7W-5028 . . . . .	▶1409		1605	7W-9265 . . . . .	▶1954		636
	▶1410	7W-6956 . . . . .	▶1422	7W-9269 . . . . .	▶1485		641
7W-5221 . . . . .	2062		1594		▶1487	7X-0409 . . . . .	719
	2079	7W-6957 . . . . .	▶1617		▶1489		721
7W-5222 . . . . .	2063		▶1618	7W-9272 . . . . .	▶1489		911
	2077	7W-6958 . . . . .	1617	7W-9273 . . . . .	▶1956		911
				7W-9343 . . . . .	1964	7X-0448 . . . . .	614

# PART NUMBER INDEX

Part	Page	Part	Page	Part	Page	Part	Page
	615		1735		34	8C-3346 . . . . .	1489
7X-0457 . . . . .	303		1738		39	8C-3445 . . . . .	303
	526		1741	8B-4884 . . . . .	2007		496
	1474		1764		2009		506
7X-0485 . . . . .	702		1767		2081		798
7X-0519 . . . . .	1348	7X-3387 . . . . .	798	8B-6283 . . . . .	664		1477
7X-0562 . . . . .	1611	7X-4805 . . . . .	127		676		2137
	1652		132		678	8C-3446 . . . . .	303
	1655		135		680		497
	1658		137		728		507
	1662		312		730		1477
	1665		314	8B-7613 . . . . .	714	8C-3644 . . . . .	1715
	1668		319		734		▶1764
	1671		321		736	8C-3645 . . . . .	1673
	1674		2130		738		▶1767
	1675		2132		740	8C-3654 . . . . .	1431
	1684		2137		742	8C-3655 . . . . .	1652
	1685	7X-5988 . . . . .	1621		744		1655
	1724	7X-6222 . . . . .	1870	8B-7614 . . . . .	714		1765
	1727	7X-6315 . . . . .	309		719		1768
	1730		1406		721	8C-4423 . . . . .	310
	1733		1407		734		697
	1736	7X-7730 . . . . .	660		736	8C-4646 . . . . .	1991
	1739		662		738	8C-5197 . . . . .	986
	1742		778		740	8C-5209 . . . . .	321
	1745	7X-7731 . . . . .	127		742		322
	1747		135		744		803
	1748		137	8B-7624 . . . . .	1627		807
	1757		189		1635	8C-5236 . . . . .	651
	1759		303		1638		726
	1764		513		1640		770
	1767		518		1643		772
	1782		520		1646		774
7X-0575 . . . . .	654		523	8B-7987 . . . . .	50	8C-5917 . . . . .	1329
7X-0584 . . . . .	716		534	8B-9725 . . . . .	688		1338
	717		536		784		1341
	723		575		790	8C-6024 . . . . .	1867
	724		578		1905		1870
7X-0794 . . . . .	816		586		1907		2055
7X-0796 . . . . .	911		590		1909		2085
	1637		593		1911		2086
	1643		654		1913	8C-6123 . . . . .	1866
7X-1062 . . . . .	1621		1475		1915		1982
	1623	7X-7732 . . . . .	26	8C-0503 . . . . .	742		1987
7X-1064 . . . . .	1621		190		744		1990
7X-1078 . . . . .	1621		192	8C-1358 . . . . .	1526	8C-6857 . . . . .	617
	1623	7X-7875 . . . . .	474		1528		632
7X-1445 . . . . .	783	7X-7925 . . . . .	116		1530		636
7X-1547 . . . . .	312		117		1532		641
	356		121		1534	8C-7507 . . . . .	2017
	358		123		1537		2021
	360		124		1539		2025
7X-1786 . . . . .	1621		125		1541		2029
7X-2481 . . . . .	525		143		1543		2033
7X-2501 . . . . .	586		147		1545	8C-7565 . . . . .	700
	588	7Y-7389 . . . . .	1865		1547	8C-7566 . . . . .	664
	590		2055		1549		666
	593		2085		1551		668
7X-3148 . . . . .	738		2086		1553		699
	740				1555		700
7X-3178 . . . . .	1262			8C-3089 . . . . .	1659		702
7X-3373 . . . . .	1652				1661	8C-7567 . . . . .	702
	1655				1664	8C-8491 . . . . .	303
	1659				1667		1473
	1661	8B-0544 . . . . .	1526		1670	8C-8514 . . . . .	3
	1664		1528		1723		2034
	1667	8B-1615 . . . . .	539		1726	8C-8581 . . . . .	303
	1670		547		1729		910
	1675	8B-1931 . . . . .	1362		1732		1480
	1685	8B-2026 . . . . .	972		1735	8C-9660 . . . . .	1659
	1723		973		1738		1661
	1726	8B-2377 . . . . .	858		1741		1664
	1729		1506	8C-3107 . . . . .	310		1667
	1732	8B-2664 . . . . .	30		873		1670

**8**

# PART NUMBER INDEX

Part	Page	Part	Page	Part	Page	Part	Page
	1675		2079		28	8L-5008 . . . . .	843
	1685		2083	8J-5985 . . . . .	307	8L-5066 . . . . .	627
	1723	8F-2347 . . . . .	614		846	8L-5423 . . . . .	303
	1726		615	8J-6775 . . . . .	102		690
	1729		629		730		1480
	1732	8F-4610 . . . . .	1040		732	8L-6557 . . . . .	1004
	1735		1048		748		1018
	1738		1058	8J-6815 . . . . .	1302		1376
	1741		1088	8J-8725 . . . . .	1214		1378
8C-9812 . . . . .	1620		1131		1217		1382
	1621	8F-4994 . . . . .	515		1219		2011
	1623	8F-5368 . . . . .	1761		1220	8L-8413 . . . . .	1335
8D-1429 . . . . .	1867	8F-6302 . . . . .	974		1221		1337
8D-2676 . . . . .	1792		1048		1222		1338
	1866		1088		1223		1339
	1869		1131		1224		1341
	2034	8F-7219 . . . . .	1716		1226		1408
	2054		1754		1228		1439
8D-5898 . . . . .	891	8F-8178 . . . . .	1242		1232		1444
	893		1244		2139		1482
	895	8F-8858 . . . . .	321	8J-8879 . . . . .	174		1821
8D-7942 . . . . .	55		322	8J-8919 . . . . .	282		1822
	303		432	8K-2396 . . . . .	495		1823
	428		434	8L-2746 . . . . .	794		1824
	430		436		795		1825
	1475		438		796		1826
8D-8724 . . . . .	2034	8F-9866 . . . . .	2127		797		1827
8D-9947 . . . . .	1425		2149	8L-2786 . . . . .	318		1828
8F-1434 . . . . .	1307	8G-2077 . . . . .	658		321		1869
	1309		672		322		1870
	1311		674		985		1878
	1322		676		1002		2018
	1356	8H-0707 . . . . .	1031		1014		2022
	1611		1033		1031		2026
	1625		1040		1033		2030
	1652		1047		1040		2034
	1655		1057		1047		2038
	1659		1064		1057		2041
	1662		1071		1064		2044
	1665		1072		1072		2047
	1667		1079		1079		2050
	1670		1087		1087		2055
	1674		1097		1098		2085
	1679		1105		1105		2086
	1684		1113		1113		2126
	1706		1122		1122	8L-9765 . . . . .	2118
	1713		1123		1130	8L-9767 . . . . .	617
	1721		1130		1145		621
	1724		1144		1153		624
	1727		1145		1237		627
	1730		1152		1239		632
	1733		1153		1252		636
	1736	8H-1141 . . . . .	1652		1254		641
	1739		1655		1835		
	1742		1761		2131	8M-0547 . . . . .	303
	1745		1764		2136		1473
	1747		1767	8L-3161 . . . . .	1033	8M-0744 . . . . .	303
	1748	8H-2046 . . . . .	652		1071		684
	1757		706	8L-3162 . . . . .	1033		1478
	1759	8H-2778 . . . . .	1027		1071	8M-0745 . . . . .	303
	1764	8H-3128 . . . . .	750		858		684
	1767		752	8L-3873 . . . . .	858		1478
	1782		754		1506	8M-1279 . . . . .	198
	1864		762		1617		242
	1877		764		1618		253
	1891		766		1619	8M-1682 . . . . .	1274
	1895		769	8L-4282 . . . . .	972		1285
	2033	8H-5429 . . . . .	1802		973		1287
	2034		1803		977	8M-2530 . . . . .	266
	2063	8H-5772 . . . . .	1850	8L-4952 . . . . .	621		270
	2066	8H-7202 . . . . .	1027		624		272
	2071	8H-8731 . . . . .	1304		627	8M-2770 . . . . .	1960
	2075		1305	8L-4955 . . . . .	621	8M-2772 . . . . .	1909
	2077	8H-9789 . . . . .	26		624		1911
					627		1917

# PART NUMBER INDEX

Part	Page	Part	Page	Part	Page	Part	Page
	1918		1940		961		1186
	1958		1946		964		1188
	1960		1960		2138	8N-4157 . . . . .	824
	1962		1962	8N-2004 . . . . .	961	8N-4160 . . . . .	824
	1964		1966		964	8N-4262 . . . . .	▶1000
	1966		1968	8N-2262 . . . . .	1396		1039
	1968	8M-9124 . . . . .	345		1400		1045
8M-2773 . . . . .	1425		347		1799		1046
8M-2933 . . . . .	750	8N-0032 . . . . .	994	8N-2266 . . . . .	1376		1140
	752		998		1378		1141
	762	8N-0033 . . . . .	996		1380		1143
	764		1000		1382	8N-4263 . . . . .	▶82
	766	8N-0339 . . . . .	8	8N-2355 . . . . .	▶982		1039
	769		20	8N-2407 . . . . .	324		1045
8M-3175 . . . . .	348		22	8N-2408 . . . . .	324		1140
	354		▶181	8N-2409 . . . . .	803		1141
8M-3182 . . . . .	511		182		805	8N-4266 . . . . .	▶83
8M-3839 . . . . .	1351		183		807		1039
	1353		184	8N-2410 . . . . .	320		1046
8M-5255 . . . . .	30		185		322		1141
	34	8N-0386 . . . . .	303		803		1143
	198		350		805	8N-4387 . . . . .	432
	202		652		807		434
	206		654	8N-2555 . . . . .	809		436
	208		688		813		438
	212		706	8N-2556 . . . . .	811	8N-4707 . . . . .	116
	220		708	8N-2559 . . . . .	811		118
	222		1479		812		119
	226	8N-0419 . . . . .	703	8N-2562 . . . . .	811		123
	228	8N-0420 . . . . .	703	8N-2755 . . . . .	1182		124
	238	8N-0694 . . . . .	▶1793		1183		2141
	240		1866		1185	8N-5120 . . . . .	959
	242		1869		1186	8N-5121 . . . . .	959
	245	8N-0855 . . . . .	1524		1188	8N-5123 . . . . .	1035
	253	8N-0896 . . . . .	234		1189	8N-5213 . . . . .	787
	260		237		1191	8N-5254 . . . . .	809
	262	8N-1186 . . . . .	1173		1192		813
	397	8N-1233 . . . . .	370		1235	8N-5301 . . . . .	202
	728		372	8N-2929 . . . . .	496		212
8M-5312 . . . . .	1350		374		500		228
8M-6701 . . . . .	1313		376		503		238
	1316		378		506		253
	1319		401		510	8N-5619 . . . . .	▶992
8M-7065 . . . . .	24	8N-1235 . . . . .	612	8N-2934 . . . . .	190	8N-5620 . . . . .	5
	26	8N-1287 . . . . .	424		192		12
	28	8N-1517 . . . . .	1870	8N-2941 . . . . .	▶1799		▶238
8M-7145 . . . . .	762	8N-1542 . . . . .	1431		▶1800		▶240
	764	8N-1543 . . . . .	1345	8N-3378 . . . . .	809	8N-5678 . . . . .	▶202
	766	8N-1610 . . . . .	1438		810		▶204
	852	8N-1693 . . . . .	1625		▶812	8N-5698 . . . . .	1905
	854	8N-1989 . . . . .	303		813		1907
	862		652	8N-3480 . . . . .	1235		1913
8M-8489 . . . . .	192		654		1237		1915
8M-9024 . . . . .	44		688		1239	8N-5701 . . . . .	1376
	47		1479		1241		1378
	49	8N-1990 . . . . .	652	8N-3504 . . . . .	31		1380
	104		654		35		1382
	303	8N-1991 . . . . .	457		38		1970
	348		476	8N-3529 . . . . .	1182		1973
	354		496		1185	8N-5710 . . . . .	▶1970
	356		501		1188	8N-5713 . . . . .	▶1971
	358		510	8N-3581 . . . . .	▶278	8N-5714 . . . . .	▶1972
	360		2131	8N-3639 . . . . .	354	8N-5719 . . . . .	▶1973
	458	8N-1992 . . . . .	303	8N-3640 . . . . .	354	8N-5720 . . . . .	1971
	694		457	8N-3896 . . . . .	▶1770	8N-5743 . . . . .	▶206
	846		476		1771		▶208
	860		496		1772		▶210
	1002		500	8N-3897 . . . . .	▶1773	8N-5745 . . . . .	▶212
	1012		506		▶1774		▶214
	1014		510	8N-3898 . . . . .	▶1775	8N-5767 . . . . .	▶216
	1016		1477		1776	8N-5768 . . . . .	2
	1019	8N-1995 . . . . .	961		1777		▶242
	1472		964	8N-3899 . . . . .	▶1778		▶245
	1931	8N-1996 . . . . .	315	8N-3928 . . . . .	1182		▶249

# PART NUMBER INDEX

Part	Page	Part	Page	Part	Page	Part	Page
8N-5769 . . . . .	2		1178		114	8N-7707 . . . . .	▶482
	▶253		1182	8N-7174 . . . . .	8	8N-7712 . . . . .	9
	▶256		1185		15		16
8N-5771 . . . . .	216		1188		20		▶532
	242		1191		22	8N-7715 . . . . .	5
	245		1195		▶260		16
	249	8N-6211 . . . . .	1174		▶262		▶704
	253		1178		▶264	8N-7716 . . . . .	5
	256		1183	8N-7182 . . . . .	4		8
8N-5772 . . . . .	206		1186		12		12
	208		1189		15		16
	212		1192		▶186		▶652
	214		1194		▶187		▶654
8N-5793 . . . . .	5	8N-6224 . . . . .	9	8N-7191 . . . . .	438	8N-7717 . . . . .	6
	16		13	8N-7197 . . . . .	305		9
	▶1188		▶374		306		13
8N-5802 . . . . .	▶15		▶376		428		17
8N-5839 . . . . .	732	8N-6296 . . . . .	1021		430		▶787
	748	8N-6297 . . . . .	1016		432		▶790
			1021		434	8N-7718 . . . . .	9
8N-5872 . . . . .	656	8N-6309 . . . . .	811		436		16
	658		812		438		▶705
	660	8N-6325 . . . . .	1189		1474	8N-7724 . . . . .	▶1226
	662		1235	8N-7232 . . . . .	4	8N-7725 . . . . .	4
	664	8N-6326 . . . . .	311		8		15
	666		1178		12		▶964
	668		1182		15	8N-7726 . . . . .	4
	670		1185		▶481		15
	672		1188	8N-7253 . . . . .	▶1779		▶1023
	674		1191		1780		▶1025
	676		1194		1781	8N-7734 . . . . .	5
	678	8N-6327 . . . . .	1174	8N-7289 . . . . .	438		8
	680		1178	8N-7290 . . . . .	434		12
	682		1182		438		16
8N-5873 . . . . .	656		1185	8N-7292 . . . . .	432		▶324
	658		1188		434	8N-7804 . . . . .	6
	660		1191		438		▶935
	662		1194	8N-7296 . . . . .	370	8N-7805 . . . . .	▶574
	664	8N-6355 . . . . .	▶1021		372	8N-7810 . . . . .	370
	666	8N-6392 . . . . .	186		374		372
	668	8N-6414 . . . . .	▶1625		376		374
	670	8N-6423 . . . . .	773		378		376
	672		776	8N-7500 . . . . .	▶2103		378
	674		777	8N-7639 . . . . .	303		401
	676	8N-6435 . . . . .	▶1027		686	8N-7952 . . . . .	17
	678	8N-6439 . . . . .	▶236		1478		▶378
	680	8N-6477 . . . . .	▶1141	8N-7640 . . . . .	710	8N-7963 . . . . .	378
	682	8N-6481 . . . . .	▶1142	8N-7641 . . . . .	688	8N-8056 . . . . .	127
8N-6020 . . . . .	370	8N-6534 . . . . .	811		706		129
	374		812		708		132
8N-6038 . . . . .	2	8N-6563 . . . . .	237	8N-7642 . . . . .	710		135
	▶235	8N-6564 . . . . .	▶392		712		137
8N-6061 . . . . .	897	8N-6645 . . . . .	242	8N-7643 . . . . .	6	8N-8069 . . . . .	1214
	899		260		9		1222
8N-6062 . . . . .	897	8N-6712 . . . . .	5		13		1226
	899		8		17	8N-8089 . . . . .	2134
8N-6151 . . . . .	6		12		20	8N-8111 . . . . .	5
	9		16		22		8
	13		▶1142		▶647		12
	17	8N-6714 . . . . .	▶1143		648		16
	20	8N-6722 . . . . .	▶1143		649		▶294
	22	8N-6861 . . . . .	118		650	8N-8112 . . . . .	▶289
	▶1247		119		704	8N-8113 . . . . .	5
	1248		123	8N-7656 . . . . .	48		8
	1249		124	8N-7657 . . . . .	48		12
8N-6152 . . . . .	9	8N-6864 . . . . .	129	8N-7659 . . . . .	48		16
	17	8N-7103 . . . . .	4	8N-7660 . . . . .	48		▶290
	20		8	8N-7705 . . . . .	5	8N-8160 . . . . .	998
	22		12		9		1000
	▶549		15		13	8N-8210 . . . . .	202
	550		20		16		206
	551		22		▶350		208
8N-6164 . . . . .	▶348		▶112		▶352		212
8N-6174 . . . . .	▶517		113	8N-7706 . . . . .	▶354		220
8N-6210 . . . . .	1174						

# PART NUMBER INDEX

Part	Page	Part	Page	Part	Page	Part	Page
	222		1901	8N-8487 . . . . .	▶828	8N-9166 . . . . .	▶218
	226		1905	8N-8488 . . . . .	1608	8N-9167 . . . . .	▶220
	228		1907	8N-8489 . . . . .	▶1502		▶222
8N-8216 . . . . .	118		1909		▶1504		▶224
	139		1911	8N-8490 . . . . .	▶1396	8N-9211 . . . . .	92
	141		1913		▶1398		98
8N-8293 . . . . .	1183		1915	8N-8491 . . . . .	▶1400	8N-9300 . . . . .	1345
	1186		1918		▶1402		1893
	1189		1919	8N-8506 . . . . .	1169	8N-9303 . . . . .	▶813
	1192		1921		1171	8N-9390 . . . . .	652
	1194		1933	8N-8507 . . . . .	▶851		654
8N-8300 . . . . .	294		1935	8N-8509 . . . . .	427	8N-9392 . . . . .	986
8N-8360 . . . . .	▶30		1952	8N-8510 . . . . .	▶427		988
	▶34		1956	8N-8514 . . . . .	1169	8N-9422 . . . . .	784
	▶38		1970		1171		787
8N-8403 . . . . .	656	8N-8471 . . . . .	1376	8N-8524 . . . . .	605	8N-9464 . . . . .	▶237
	660		1378	8N-8535 . . . . .	605	8N-9482 . . . . .	455
	662		1380	8N-8537 . . . . .	666		457
8N-8405 . . . . .	656		1382		682		460
	660		1382	8N-8539 . . . . .	666		463
	662		1903		682		468
8N-8406 . . . . .	▶660		1928	8N-8540 . . . . .	▶682		471
	▶662		1929	8N-8542 . . . . .	▶1365		473
8N-8411 . . . . .	▶678		1931	8N-8550 . . . . .	1530		476
	▶680		1937		1532		192
8N-8419 . . . . .	1905		1941		1537	8N-9554 . . . . .	784
	1913		1943		1541	8N-9609 . . . . .	787
8N-8430 . . . . .	1909		1945		1543		790
	1911		1946		1545		710
8N-8431 . . . . .	1917		1948		1547	8N-9623 . . . . .	712
	1918		1950		1549		5
8N-8432 . . . . .	1905		1951		1551	8N-9639 . . . . .	16
	1907		1954		1555		▶282
8N-8433 . . . . .	1913		1958		1557		4
	1915		1960	8N-8570 . . . . .	778	8N-9640 . . . . .	8
8N-8446 . . . . .	1642	8N-8472 . . . . .	1376	8N-8571 . . . . .	778		12
	1645		1378	8N-8786 . . . . .	1182		15
	1648		1378		1185		▶90
	1649		1380	8N-8788 . . . . .	1182	8N-9642 . . . . .	4
	1650		1382		1185		8
8N-8447 . . . . .	828		1899		1188		12
	1608		1901	8N-8879 . . . . .	809		15
8N-8448 . . . . .	1491		1903		813		▶102
	1499		1905	8N-8880 . . . . .	809	8N-9654 . . . . .	803
8N-8449 . . . . .	1493		1907		813		805
	1495		1909	8N-8938 . . . . .	532		807
	1497		1911	8N-8940 . . . . .	532	8N-9658 . . . . .	102
	1502		1913	8N-8953 . . . . .	703	8N-9662 . . . . .	▶988
	1504		1915		705		1141
8N-8451 . . . . .	1642		1918	8N-8955 . . . . .	703		1142
	1645		1919		705		1143
	1648		1921	8N-8993 . . . . .	4	8N-9698 . . . . .	▶1855
	1649		1933		8	8N-9706 . . . . .	784
	1650		1935		12		787
	1651		1941		15		790
8N-8452 . . . . .	828		1943		20	8N-9799 . . . . .	5
	1607		1948		22		9
	1608		1952		▶610		13
8N-8455 . . . . .	726		1954		704		16
8N-8456 . . . . .	726		1956	8N-8994 . . . . .	5		▶877
8N-8461 . . . . .	726		1970		9	8N-9850 . . . . .	1004
8N-8462 . . . . .	746		1973		13		1007
8N-8464 . . . . .	726	8N-8476 . . . . .	▶1648		16		1010
8N-8466 . . . . .	▶746	8N-8477 . . . . .	▶1649		704		1021
8N-8467 . . . . .	▶397	8N-8478 . . . . .	▶1650		▶706		1023
	▶398	8N-8479 . . . . .	▶1651		▶708		1025
8N-8468 . . . . .	▶399	8N-8480 . . . . .	▶1491	8N-8995 . . . . .	5	8N-9853 . . . . .	6
	▶400	8N-8481 . . . . .	▶1493		9		17
8N-8470 . . . . .	1376		▶1495		13		▶1241
	1378		▶1497		16	8N-9885 . . . . .	100
	1380	8N-8482 . . . . .	▶1499		704		101
	1382	8N-8483 . . . . .	▶958		▶710		102
	1899	8N-8486 . . . . .	▶1608	8N-9050 . . . . .	652		303



# PART NUMBER INDEX

Part	Page	Part	Page	Part	Page	Part	Page
	315		1478		1764		137
	994	8S-5107 . . . . .	1530		1767		141
	996		1532		1782		143
	998		1557		1891		147
	1000	8S-5383 . . . . .	327		2071		312
	1368		329		2075		321
	1370		331	8T-0707 . . . . .	714		803
	1473		333		719		2137
	2130	8S-7762 . . . . .	762		721	8T-3490 . . . . .	1480
8N-9944 . . . . .	1214	8S-8023 . . . . .	1614		740	8T-3510 . . . . .	188
	1217	8S-8024 . . . . .	1614	8T-1568 . . . . .	700	8T-4121 . . . . .	1748
	1223	8S-8075 . . . . .	1716	8T-1570 . . . . .	700		1782
	1224		1754	8T-1685 . . . . .	310	8T-4122 . . . . .	614
8N-9991 . . . . .	48	8S-8158 . . . . .	1350		697		615
8N-9992 . . . . .	86	8S-8159 . . . . .	1169	8T-1919 . . . . .	303	8T-4133 . . . . .	1748
	88		1171		691		1782
	90	8S-8821 . . . . .	762		694	8T-4134 . . . . .	1867
	309	8S-9089 . . . . .	283		1480		2018
8N-9993 . . . . .	86		284		2134		2022
	88		286	8T-2153 . . . . .	240		2026
	90		287		245		2030
	303		290		249		2047
	453		1483		256	8T-4136 . . . . .	714
	1476		1485		260		719
8P-1438 . . . . .	194		1489		262		721
	200	8S-9092 . . . . .	1208		264	8T-4191 . . . . .	928
	245	8S-9191 . . . . .	307	8T-2175 . . . . .	1850	8T-4192 . . . . .	717
	249		528	8T-2228 . . . . .	1996		724
	256		605	8T-2353 . . . . .	307	8T-4205 . . . . .	534
8P-7065 . . . . .	1412		611	8T-2501 . . . . .	274		536
8S-0768 . . . . .	118		612	8T-2882 . . . . .	2017		586
	139		666		2021		588
8S-1527 . . . . .	1614		694		2025		590
8S-1528 . . . . .	1614	8T-0099 . . . . .	127		2029		593
8S-1535 . . . . .	1716		129		2034		1262
	1754		132		2038		1307
8S-1571 . . . . .	1716		135		2041		1309
	1755		137		2044		1311
8S-2225 . . . . .	1716	8T-0209 . . . . .	714		2047		1313
	1754		719		2050		1316
8S-2226 . . . . .	1716		721	8T-2903 . . . . .	315		1319
	1754		738		607		1345
8S-2331 . . . . .	266		740		778		1348
8S-3215 . . . . .	30		744		784		1418
	34	8T-0328 . . . . .	1307		790		1420
8S-4684 . . . . .	1716		1309		2130		1431
	1755		1311		2135		1435
8S-4710 . . . . .	1242		1313		2136		1652
	1244		1316	8T-2928 . . . . .	116		1655
	1271		1319		117		1658
	1274		1351		119		1661
	1277		1356		121		1664
	1279		1611		122		1667
	1281		1652		123		1670
	1283		1655		124		1723
	1285		1659		125		1726
	1287		1662		135		1729
	1289		1665		137		1733
	1292		1668		141		1736
	1596		1671		143		1739
	1598		1674		147		1741
8S-4711 . . . . .	1630		1684		312		1757
	1633		1724		321		1759
	1893		1727		803		1764
8S-4734 . . . . .	424		1730		2137		1767
8S-4757 . . . . .	171		1733	8T-2929 . . . . .	116		1803
	181		1736		117		2145
	182		1739		119	8T-4223 . . . . .	55
	183		1742		121		274
	184		1745		122		586
	185		1747		123		590
	186		1748		124		593
	187		1757		125		626
8S-4951 . . . . .	303		1759		135		1487

# PART NUMBER INDEX

Part	Page	Part	Page	Part	Page	Part	Page
8T-4224 . . . . .	799		609		835		1478
	800		610		846		1594
8T-4226 . . . . .	2034	8T-6759 . . . . .	39		860		1595
	2052		157		1371	8T-6766 . . . . .	717
8T-4244 . . . . .	716		165		1472		724
	723		194		1475		726
	1745		196		1477		730
	1747		200		1478		1002
	1757		204		1530		1012
	1759		210		1532		1014
8T-4412 . . . . .	1865		214		1537		1016
	2055		216		1541		1018
8T-4833 . . . . .	1850		218		1543	8T-6767 . . . . .	310
8T-4862 . . . . .	9		224		1545		654
	13		249		1547		694
8T-4864 . . . . .	10		256		1549	8T-6871 . . . . .	614
	14		393		1551		615
8T-4866 . . . . .	10		398		1555	8T-7494 . . . . .	309
	14		752		1557		697
8T-4896 . . . . .	274		754		1602	8T-7525 . . . . .	310
	617		769		1605		697
	623	8T-6760 . . . . .	98		1608	8T-7581 . . . . .	432
	626	8T-6761 . . . . .	39	8T-6763 . . . . .	127		436
	632		86		135	8T-7883 . . . . .	10
	636		88		137		14
	641		90	8T-6764 . . . . .	24	8T-7886 . . . . .	10
	778		91		190		14
	889		92		192	8T-7934 . . . . .	303
	2145		94		303		910
8T-4970 . . . . .	1757		303		605		1480
	1759		310		726	8T-8418 . . . . .	10
8T-4994 . . . . .	614		348		750		14
	615		354		752	8T-8566 . . . . .	1652
	617		686		754		1655
	632		688		766		1764
	636		703		769		1767
	641		705		846	8T-8569 . . . . .	1652
	1855		708		860		1655
8T-5449 . . . . .	1414		876		1472		1764
8T-6342 . . . . .	1819		902	8T-6765 . . . . .	91		1767
8T-6690 . . . . .	616		903		94	8T-8729 . . . . .	1428
	631		907		285		1430
	635		908		291		1431
	639		909		292		1436
8T-6726 . . . . .	1532		1371		293		1444
	1534		1478		303		1623
	1537		1595		310		1810
	1539	8T-6762 . . . . .	26		380		1995
	1541		39		497		2051
	1543		127		500		2085
	1545		135		504		2086
	1547		137		507	8T-8730 . . . . .	1428
	1549		291		605		1431
	1551		293		607		1436
	1553		303		654		1444
	1555		310		686		1447
8T-6757 . . . . .	39		358		688		1847
	194		360		708		1870
	200		455		770		2051
	204		457		774	8T-8731 . . . . .	1431
	210		463		783		1436
	214		497		784	8T-8732 . . . . .	1431
	216		504		790		1586
	218		507		803	8T-8737 . . . . .	1345
	224		609		807		1428
	249		610		854		1432
	250		686		862		1436
	256		712		891		1444
	811		778		897		1445
	812		783		899		1578
	986		803		903		1583
8T-6758 . . . . .	291		807		1368		1586
	292		828		1370		1847
	293		831		1473		1870

# PART NUMBER INDEX

Part	Page	Part	Page	Part	Page	Part	Page
	1993		717		220	9F-8122 . . . . .	230
	1994		724		222	9F-8125 . . . . .	1875
	1995		728		226		1876
	2051		730		228		1996
8T-8827 . . . . .	1345		732		242		1998
8T-8878 . . . . .	10		748		245		2000
	14	9B-1117 . . . . .	1269		253		2030
8T-8879 . . . . .	10	9B-2232 . . . . .	992		959		2034
	14	9B-3523 . . . . .	1815		988		2052
8T-8880 . . . . .	9	9B-4202 . . . . .	189		1161	9F-8999 . . . . .	658
	13	9B-7233 . . . . .	1313		1281	9F-9203 . . . . .	1802
8T-8912 . . . . .	2038		1316		1596		1803
	2041		1319	9F-2636 . . . . .	2127	9F-9596 . . . . .	959
	2044		1350	9F-2637 . . . . .	2127	9F-9597 . . . . .	959
	2047		1351	9F-2638 . . . . .	2127	9F-9635 . . . . .	959
	2050		1353	9F-2773 . . . . .	303	9F-9637 . . . . .	1161
8T-8917 . . . . .	586		1355		860	9F-9680 . . . . .	959
	590		1362		1472	9F-9695 . . . . .	1028
8T-8919 . . . . .	55		1618	9F-2947 . . . . .	1510		1029
	586		1625	9F-3099 . . . . .	1801		1030
	593		1794		1802	9G-0003 . . . . .	1335
8T-8924 . . . . .	614		1801		1803		1337
	615		1802		1805		1338
8T-9043 . . . . .	800		1803	9F-3691 . . . . .	1875		1339
8T-9364 . . . . .	534		1805		1876		1341
	536		1894	9F-4976 . . . . .	1609	9G-0004 . . . . .	1335
	2145		2017		1612		1337
8T-9368 . . . . .	1823		2021		1615		1338
	1826		2025		1689		1339
	2038		2029		1694		1341
	2041		2034		1695	9G-3186 . . . . .	1438
	2044		2048		1699		1440
	2047		2051		1703		1444
	2050		2069		1716		1583
8T-9377 . . . . .	778		2071		1754	9G-3662 . . . . .	1438
	2034		2073	9F-5599 . . . . .	1561	9G-3670 . . . . .	1454
8T-9399 . . . . .	1855		2075		1658	9G-3695 . . . . .	1436
8T-9637 . . . . .	1867		2095		1661		1438
	1870		2096		1664		1448
8T-9655 . . . . .	303	9B-7237 . . . . .	623		1674		1449
	1368		626		1679		1454
	1473		814		1684		1455
8T-9757 . . . . .	1329	9B-7242 . . . . .	2092		1689		1786
	1338		2093		1694		1787
	1341		2094		1699	9G-4101 . . . . .	1658
8T-9815 . . . . .	1362	9D-2734 . . . . .	1867		1703		1661
8T-9834 . . . . .	1847		1870		1706		1662
	1870	9D-2867 . . . . .	1867		1712		1664
8T-9884 . . . . .	1653		1871		1720		1665
	1656	9D-3127 . . . . .	1867		1723		1667
	1765		1871		1726		1668
	1768	9D-3721 . . . . .	1813		1729		1670
8X-2041 . . . . .	303	9D-3737 . . . . .	2039		1732		1671
	690		2042		1735		1699
	1480		2045		1738		1703
			2048	9F-6445 . . . . .	1262		1706
			2051		2050		1712
		9D-3769 . . . . .	1262	9F-6580 . . . . .	1506		1723
		9D-7032 . . . . .	1169		1905		1726
			1171		1907		1729
9B-0453 . . . . .	1679	9D-9161 . . . . .	1867		1911		1732
	1680		1871		1913		1735
	1706	9F-2247 . . . . .	30		1915		1738
	1707		34		1926		1739
	1712		174		1968		1741
	1720		177	9F-7022 . . . . .	979		1742
	1761		178	9F-7707 . . . . .	303	9G-4231 . . . . .	1339
9B-0701 . . . . .	513		179		428	9G-4232 . . . . .	1335
	534		180		430		1337
	536		198		432	9G-4250 . . . . .	1329
9B-0887 . . . . .	617		202		434	9G-4336 . . . . .	1448
	632		206		436	9G-4343 . . . . .	1448
	636		208		438	9G-4344 . . . . .	1448
	641		212		1475	9G-4367 . . . . .	1674

9

# PART NUMBER INDEX

Part	Page	Part	Page	Part	Page	Part	Page
	1679		1741		1948		1047
	1684		1761		1956		1049
	1689	9H-6673 . . . . .	467	9L-8716 . . . . .	1923		1057
	1694		470		1928		1058
9G-4513 . . . . .	1720	9H-6761 . . . . .	521		1933		1064
	1761		580		1935		1071
9G-5127 . . . . .	308		582		1948		1079
	1835		1830		1956		1087
	1839		1831	9L-8781 . . . . .	728		1089
9G-6014 . . . . .	565	9H-8260 . . . . .	291		730		1097
	566		292		732		1105
9G-6655 . . . . .	1468		293		748		1113
9G-6770 . . . . .	1612		294	9L-8866 . . . . .	1209		1122
	1615		308	9L-9089 . . . . .	979		1130
	1733		873	9L-9132 . . . . .	30		1132
	1739	9H-8839 . . . . .	762		31		1144
9G-8010 . . . . .	2069		764		34		1152
	2071	9J-8606 . . . . .	897		35	9M-0016 . . . . .	2118
	2073		899		39	9M-0378 . . . . .	38
	2075	9K-5469 . . . . .	1926		282	9M-0387 . . . . .	177
9G-8140 . . . . .	310	9K-6540 . . . . .	467		303		178
9G-8180 . . . . .	1617		470		311	9M-0397 . . . . .	24
9G-9033 . . . . .	1331		474		394		26
	1333	9K-6765 . . . . .	1300		409		28
9G-9149 . . . . .	1423		1304		415	9M-0402 . . . . .	31
9G-9151 . . . . .	1423		1305		513		35
	1425	9L-0360 . . . . .	1208		515	9M-0766 . . . . .	38
	1975	9L-0638 . . . . .	1947		658		1924
	1976	9L-0672 . . . . .	513		672		1929
	1977		517		674		1938
	1978		518		676		1958
9G-9155 . . . . .	1425		520		684		1964
9G-9364 . . . . .	1625		521		691	9M-0853 . . . . .	511
9G-9817 . . . . .	1762		523		697	9M-1289 . . . . .	623
9G-9818 . . . . .	1762		534		839		626
9H-0858 . . . . .	891		536		860		629
9H-1958 . . . . .	1803	9L-1480 . . . . .	312		876	9M-1974 . . . . .	31
	2021		320		877		35
	2025		350		994		39
	2029		352		996		106
	2034		356		998		109
	2042		358		1000		110
	2045		360		1297		129
	2048		479		1298		132
	2051		480		1423		135
9H-2367 . . . . .	513		2137		1425		137
	517	9L-2295 . . . . .	308		1472		194
	518		873		1478		196
	520	9L-3899 . . . . .	911		1480		198
	521	9L-4007 . . . . .	703		1499		200
	523	9L-4013 . . . . .	327		1534		202
	534	9L-5125 . . . . .	30		1862		204
	536		34		1863		206
9H-3757 . . . . .	1658		39		1975		208
	1661	9L-5254 . . . . .	30		1976		210
	1664	9L-6626 . . . . .	979	9L-9398 . . . . .	964		212
	1667	9L-6770 . . . . .	1307	9L-9503 . . . . .	1271		214
	1670		1309		1274		216
	1674		1311		1277		218
	1679	9L-7373 . . . . .	303		1279		220
	1684		871		1281		222
	1689		873		1283		224
	1694		1473		1285		228
	1699	9L-7712 . . . . .	432		1287		238
	1703		434		1289		240
	1706		436		1292		242
	1712		438		1304		246
	1720	9L-8493 . . . . .	1911		1305		249
	1723		1915		1596		253
	1726		1918		1598		257
	1729	9L-8715 . . . . .	1923	9L-9653 . . . . .	190		260
	1732		1928		192		262
	1735		1933	9L-9777 . . . . .	968		264
	1738		1935		1040		303

# PART NUMBER INDEX

Part	Page	Part	Page	Part	Page	Part	Page
	311		750		1703		1316
	366		752		1707		1319
	368		754		1712	9N-0943 . . . . .	1313
	440		762		1720		1316
	444		764		1732		1319
	446		766		1738	9N-1534 . . . . .	979
	450		769		1761	9N-1752 . . . . .	1004
	513		787	9M-7609 . . . . .	1652		1021
	515	9M-4202 . . . . .	190		1655		1023
	534		192		1658		1025
	536		688		1661		1235
	556		706		1664		1237
	558		708		1675		1239
	571		762		1680	9N-2035 . . . . .	818
	651		764		1685		824
	686	9M-4355 . . . . .	551		1690	9N-2036 . . . . .	818
	699	9M-4584 . . . . .	530		1695		824
	710		532		1700	9N-2038 . . . . .	912
	712		1175		1704		914
	726		1179		1707		916
	770		1182		1713		917
	772		1183		1721		932
	774		1185		1723		933
	805		1186		1726	9N-2039 . . . . .	916
	812		1188		1729		917
	883		1189		1732		932
	885		1191		1735		933
	961		1194		1738	9N-2041 . . . . .	818
	964	9M-4594 . . . . .	1520		1741		824
	972		1522		1761	9N-2043 . . . . .	818
	973		1835		1764		824
	979		1839		1767	9N-2046 . . . . .	818
	982	9M-4704 . . . . .	1345	9M-7611 . . . . .	1680		824
	986	9M-4815 . . . . .	30		1690	9N-3388 . . . . .	1313
	988		34		1695		1316
	994	9M-4849 . . . . .	1526		1700		1319
	996		1528		1704	9N-3701 . . . . .	818
	998		1534		1707	9N-4053 . . . . .	1174
	1000		1539		1713		1178
	1002		1553		1721		1182
	1007	9M-4897 . . . . .	605		1762		1185
	1010	9M-5082 . . . . .	734	9M-7657 . . . . .	1614		1188
	1012		736	9M-8443 . . . . .	699		1191
	1014		738	9M-8911 . . . . .	818		1194
	1016		742		824	9N-5253 . . . . .	1468
	1018	9M-5520 . . . . .	1348	9M-8915 . . . . .	815	9P-1347 . . . . .	851
	1175		1412		818	9P-6895 . . . . .	1874
	1179		1414		824	9R-5008 . . . . .	310
	1182		1416	9M-8919 . . . . .	814	9R-7882 . . . . .	310
	1183		1418		818		873
	1185		1420		820	9S-0211 . . . . .	190
	1186	9M-5590 . . . . .	974		824		192
	1188		1049		826		990
	1189		1089	9M-9085 . . . . .	1802		992
	1191		1132	9N-0869 . . . . .	303	9S-1307 . . . . .	992
	1194	9M-6522 . . . . .	30		311	9S-1343 . . . . .	92
	1234		34		324		98
	1368		39		450	9S-1354 . . . . .	52
	1370		1474		684	9S-1366 . . . . .	453
	1371	9M-7269 . . . . .	286		1195		658
	1474		287		1206		660
	1478	9M-7357 . . . . .	552		1207		672
	1489		554		1368		674
	1499		556		1370		676
	1502		558		1371		678
	1504		571		1474	9S-1368 . . . . .	420
	1506		1348		1478		1524
	1625	9M-7606 . . . . .	1658	9N-0937 . . . . .	1313		1526
9M-2151 . . . . .	773		1675		1316		1528
	776		1680		1319		1530
	777		1685	9N-0939 . . . . .	1313		1532
9M-2342 . . . . .	1027		1689		1316		1534
9M-2610 . . . . .	603		1695		1319		1537
9M-3786 . . . . .	726		1700	9N-0942 . . . . .	1313		1539

# PART NUMBER INDEX

Part	Page	Part	Page	Part	Page	Part	Page
	1541		504		1087		151
	1543		507		1098		154
	1545		510		1105		166
	1547		603		1113		168
	1549		650		1122		296
	1551		686		1130		297
	1553		801		1145		1879
	1555		802		1153		1882
	1557		984		1478		1884
9S-1374 . . . . .	283		986	9S-4188 . . . . .	303		1886
	284		988		684		1982
	286		1002		1478		1984
	287		1004	9S-4190 . . . . .	310		1986
	290		1007		348	9S-8005 . . . . .	643
9S-1398 . . . . .	631		1010		354		645
	635		1012		497		686
	639		1014		500	9S-8688 . . . . .	1614
9S-2009 . . . . .	1313		1016		504	9S-8750 . . . . .	740
	1316		1018		507		897
	1319		1021		510		899
9S-2014 . . . . .	1319		1023		1002		1346
9S-2302 . . . . .	1307		1025		1004		1376
	1313		1031		1007		1378
	1316		1064		1010		1380
	1319		1145		1012		1382
9S-2390 . . . . .	1307		1175		1014		1425
	1309		1179		1016		1520
	1311		1182		1018		1522
	1313		1185		1021		1560
	1316		1188		1023		1618
	1319		1191		1025		1630
9S-2396 . . . . .	1313		1194	9S-4191 . . . . .	126		1633
	1316		1475		127		1801
	1319		1477		135		1802
9S-2542 . . . . .	1761		1478		137		1805
9S-2544 . . . . .	1313		1896		143		1806
	1316		1897		147		1866
	1319		2005		310		1869
	1658		2007		694		1899
	1661		2009		750		1901
	1664		2012		752		1907
	1667		2013		754		1909
	1670		2015		766		1911
	1674		2016		769		1915
	1684		2081		1002		1918
	1723		2083		1004		1919
	1726	9S-4183 . . . . .	772		1007		1921
	1729		778		1010		1933
	1732	9S-4185 . . . . .	94		1012		1935
	1735		285		1014		1952
	1738		303		1016		1956
	1741		310		1018		1970
9S-4180 . . . . .	728		605		1021		1973
	730		607		1023		2001
	732		613		1025		2003
	748		688		1175		2039
9S-4181 . . . . .	1459		697		1179		2042
	1460		708		1182		2045
	1461		985		1185		2048
	1462		1002		1191		2051
	1466		1007		1194	9S-8752 . . . . .	31
	1467		1010		1237		34
9S-4182 . . . . .	303		1012	9S-4684 . . . . .	1350		39
	310		1014		1354		56
	455		1016		897		58
	457		1018	9S-5033 . . . . .	899		60
	460		1031		1327		62
	463		1033	9S-7130 . . . . .	705		64
	467		1040	9S-7296 . . . . .	1005		66
	470		1047	9S-7381 . . . . .	1018		68
	474		1057		2011		70
	476		1064	9S-7712 . . . . .	2149		280
	497		1072	9S-7977 . . . . .	149		282
	500		1079	9S-8002 . . . . .	150		303

# PART NUMBER INDEX

Part	Page	Part	Page	Part	Page	Part	Page
	309		1194	9V-4924 . . . . .	276		1319
	455		1237		277	9X-3132 . . . . .	1847
	457		1239	9V-7451 . . . . .	2145	9X-3207 . . . . .	1621
	460		1297	9W-0073 . . . . .	1870		1623
	463		1298		1982		▶2097
	468		1368		1987	9X-3271 . . . . .	1588
	471		1374		1990	9X-3401 . . . . .	1432
	473		1376	9W-0852 . . . . .	1431		1436
	477		1378		1436		1567
	495		1380	9W-1464 . . . . .	1879		1577
	497		1382		1882		1581
	500		1385		1884	9X-3402 . . . . .	1431
	526		1391		1886		1436
	528		1398		1982		1583
	530		1402		1984	9X-3816 . . . . .	1526
	532		1416		1986	9X-4276 . . . . .	1350
	534		1418	9W-1494 . . . . .	▶1482	9X-4452 . . . . .	1715
	536		1420		1975		▶1782
	607		1425		1976	9X-4594 . . . . .	750
	609		1472		1977		752
	610		1474		1978		754
	616		1478	9W-1951 . . . . .	1431		766
	621		1480		1870		769
	624		1483	9W-3577 . . . . .	▶1990	9X-4612 . . . . .	331
	629		1485		2059	9X-4813 . . . . .	1431
	631		1487		2060		1436
	635		1489	9W-7783 . . . . .	175	9X-4814 . . . . .	1431
	639		1493		176	9X-4824 . . . . .	1652
	656		1495	9X-0145 . . . . .	1870		1655
	664		1499	9X-0262 . . . . .	307	9X-5392 . . . . .	1579
	666		1502		1835		▶1586
	668		1516		1839	9X-5999 . . . . .	1031
	684		1518	9X-0263 . . . . .	1835		1033
	688		1520		1839		1064
	691		1522	9X-0332 . . . . .	1757		1071
	694		1526		1759	9X-6138 . . . . .	103
	697		1528	9X-0352 . . . . .	303		104
	712		1534		428		188
	717		1537		430	9X-6165 . . . . .	1931
	724		1539		1475		1940
	730		1541	9X-0435 . . . . .	1587		1946
	732		1543	9X-1124 . . . . .	1891		1960
	746		1545		2071		1962
	748		1547		2075		1966
	758		1549	9X-1343 . . . . .	1870	9X-6258 . . . . .	2052
	760		1551		2055		2054
	773		1553		2085	9X-6259 . . . . .	1346
	777		1555		2086		1893
	811		1560	9X-1365 . . . . .	1867	9X-6260 . . . . .	177
	831		1798		1870		178
	832		1800	9X-1386 . . . . .	1577	9X-6279 . . . . .	719
	833		1806		1581		721
	834		1809		1582	9X-6381 . . . . .	1874
	835		1836		1586	9X-6458 . . . . .	303
	836		1840		1975		311
	839		1862	9X-1813 . . . . .	1566		495
	840		1863		1567		688
	841		1866		1568		691
	842		1869		1569		694
	846		2001		1570		846
	850		2003		1571		883
	854		2083		1572		885
	856	9S-8893 . . . . .	232		1573		906
	860		233		1574		1175
	862		234		1575		1371
	865		235		1829		1477
	868		236		1835		1480
	876		237		1839		1539
	961	9S-9238 . . . . .	1423	9X-2027 . . . . .	1627		1553
	964		1483	9X-2079 . . . . .	1416		2145
	1018		1485	9X-2119 . . . . .	55	9X-6602 . . . . .	7
	1169		1487	9X-2377 . . . . .	1526	9X-6772 . . . . .	504
	1171	9U-6219 . . . . .	2149	9X-2500 . . . . .	1313		507
	1175	9U-7509 . . . . .	2149		1316		523

# PART NUMBER INDEX

Part	Page	Part	Page	Part	Page	Part	Page
	784		287	9Y-2053 . . . . .	816		413
	790	9X-8878 . . . . .	285	9Y-2178 . . . . .	▶525		415
	1174	9X-8879 . . . . .	196	9Y-2179 . . . . .	▶525	9Y-5062 . . . . .	1560
	1345		222	9Y-2651 . . . . .	1045		2003
	1445		224		1143	9Y-5065 . . . . .	714
	1806		250		▶1144	9Y-5066 . . . . .	714
	1835		264	9Y-2652 . . . . .	1039	9Y-5068 . . . . .	714
	1839		292		1140	9Y-5069 . . . . .	714
	1867	9X-8887 . . . . .	190		1141	9Y-5070 . . . . .	714
	1870		192		1142	9Y-5071 . . . . .	714
	1931		266		▶1152	9Y-5072 . . . . .	714
	1940		990	9Y-2691 . . . . .	1168	9Y-5285 . . . . .	35
	1946	9X-9511 . . . . .	1652	9Y-2715 . . . . .	1122		38
9X-7137 . . . . .	1621		1764		1144	9Y-5286 . . . . .	327
	1623		1767		1152		393
9X-7138 . . . . .	1621	9X-9584 . . . . .	1621	9Y-2716 . . . . .	1123		398
	1623		1623		1144		400
9X-7258 . . . . .	177	9X-9675 . . . . .	1866		1153	9Y-5377 . . . . .	936
	178		2054	9Y-2762 . . . . .	1123		941
9X-7371 . . . . .	1	9X-9720 . . . . .	1338		1145		946
	83	9X-9730 . . . . .	1341		1153		951
	204		▶1342	9Y-2763 . . . . .	1123	9Y-5378 . . . . .	949
	218	9Y-0047 . . . . .	1194		1145		954
	394		1206		1153	9Y-5497 . . . . .	▶188
	395		1207	9Y-2765 . . . . .	1122	9Y-5582 . . . . .	936
	396		1235		1145		941
	407	9Y-0635 . . . . .	155		1152		946
	409		159	9Y-2851 . . . . .	73		951
	411		165		80	9Y-5583 . . . . .	936
	413	9Y-0637 . . . . .	303	9Y-2852 . . . . .	78		941
	415		526	9Y-2893 . . . . .	1926		946
	717		1474		1968		949
	724	9Y-0727 . . . . .	77	9Y-2906 . . . . .	1981		951
9X-7409 . . . . .	2140	9Y-0860 . . . . .	303		▶1991		954
9X-7410 . . . . .	2140		526	9Y-2907 . . . . .	1980	9Y-5584 . . . . .	852
9X-7438 . . . . .	424		1474		▶1992		854
9X-8124 . . . . .	1345	9Y-0871 . . . . .	664	9Y-2921 . . . . .	1345		856
	1866	9Y-0914 . . . . .	1169		1866	9Y-5596 . . . . .	6
	1869		1171		1869		13
	2018		1362	9Y-3084 . . . . .	347		▶949
	2022		▶1812		▶356		▶950
	2026	9Y-0947 . . . . .	1992		▶358	9Y-5598 . . . . .	9
	2030	9Y-1049 . . . . .	1474	9Y-3087 . . . . .	345		17
	2034	9Y-1484 . . . . .	132		▶360		▶951
	2038	9Y-1485 . . . . .	132	9Y-3108 . . . . .	1534		952
	2041		135		1539		953
	2044	9Y-1493 . . . . .	814		1553	9Y-5600 . . . . .	8
	2047		826	9Y-3338 . . . . .	816		16
	2050	9Y-1588 . . . . .	1123	9Y-3778 . . . . .	766		▶852
9X-8256 . . . . .	754		1145	9Y-3830 . . . . .	112		▶854
9X-8285 . . . . .	303		1153	9Y-4016 . . . . .	712	9Y-5602 . . . . .	5
	871		▶1251	9Y-4121 . . . . .	132		12
	1473	9Y-1676 . . . . .	816		135		▶856
9X-8486 . . . . .	1351	9Y-1677 . . . . .	816		137	9Y-5710 . . . . .	▶748
	1893	9Y-1679 . . . . .	816	9Y-4124 . . . . .	376	9Y-6023 . . . . .	329
9X-8872 . . . . .	86	9Y-1683 . . . . .	816	9Y-4562 . . . . .	▶936	9Y-6089 . . . . .	1645
	88	9Y-1685 . . . . .	816		937		1771
	90	9Y-1687 . . . . .	816		938		1772
9X-8873 . . . . .	285	9Y-1690 . . . . .	816		939		1774
	670	9Y-1692 . . . . .	911		940		1776
	691	9Y-1699 . . . . .	911	9Y-4563 . . . . .	▶941		1777
	837	9Y-1741 . . . . .	432		942	9Y-6093 . . . . .	▶954
	1480		436		943		▶955
9X-8874 . . . . .	285	9Y-1770 . . . . .	432		944	9Y-6272 . . . . .	911
	307	9Y-1782 . . . . .	1251		945	9Y-6422 . . . . .	119
	860		1256	9Y-4564 . . . . .	▶946		122
	873	9Y-1796 . . . . .	9		947	9Y-6576 . . . . .	5
	1425		17		948		9
	1472		▶1228	9Y-4888 . . . . .	▶448		12
	1530		▶1229		▶449		16
	1532	9Y-1847 . . . . .	153	9Y-4893 . . . . .	103		▶1191
	1557	9Y-1936 . . . . .	824	9Y-4957 . . . . .	407		▶1194
9X-8875 . . . . .	283	9Y-2051 . . . . .	816		409	9Y-6869 . . . . .	▶226
	284	9Y-2052 . . . . .	816		411	9Y-6870 . . . . .	▶228



# PART NUMBER INDEX

Part	Page	Part	Page	Part	Page	Part	Page
9Y-6893 . . . . .	303		2047		1551		1169
	691		2050		1553		1171
	694	9Y-9776 . . . . .	1989		1555		1198
	1480	9Y-9782 . . . . .	2017	004-3935 . . . . .	1524		1199
9Y-6988 . . . . .	▶1230		2021		1557		1200
	▶1231		2025	004-5933 . . . . .	1489		1201
9Y-7158 . . . . .	329		2029		1499		1203
9Y-7159 . . . . .	329		2033		1502		1204
9Y-7167 . . . . .	1364		2038		1504		1485
9Y-7179 . . . . .	748		2041	004-7270 . . . . .	1526		1489
9Y-7759 . . . . .	303		2044		1528		1899
	526		2047		1530		1901
	1474		2050		1532		1919
9Y-7760 . . . . .	303	9Y-9783 . . . . .	2017	004-7626 . . . . .	1502		1921
	526		2021		1504		1923
	1474		2025	005-8160 . . . . .	897		1924
9Y-7841 . . . . .	6		2029		899		1928
	13		2033		961		1929
	▶1232		2038		964		1933
	▶1233		2041	005-9702 . . . . .	303		1935
9Y-7876 . . . . .	▶189		2044		684		1937
9Y-8067 . . . . .	752		2047		1478		1938
	754		2050	008-2699 . . . . .	1161		1940
	769			008-8381 . . . . .	304		1941
9Y-8175 . . . . .	20				684		1943
	22				1478		1945
	▶768			008-8694 . . . . .	563		1946
9Y-8389 . . . . .	320				564		1948
	322	000-7246 . . . . .	1541		568		1950
	1002		1545		569		1951
	1012		1547	009-4440 . . . . .	705		1952
	1014	001-5600 . . . . .	1023	012-5751 . . . . .	571		1954
	1016	001-6498 . . . . .	1506	022-3035 . . . . .	1161		1956
	1018	001-7042 . . . . .	1539	030-1193 . . . . .	1412		1958
	1234	001-9440 . . . . .	309	030-1707 . . . . .	1806		1960
9Y-8413 . . . . .	1921		1198	030-3978 . . . . .	304		1962
9Y-8414 . . . . .	1921		1199		690		1964
9Y-8415 . . . . .	1921		1200		1480		1966
9Y-8418 . . . . .	1926		1201	030-7941 . . . . .	652		1968
	1968		1203		1201	030-7947 . . . . .	1169
			1204		1361		1171
9Y-8445 . . . . .	1416		1835		1363	030-7949 . . . . .	1004
9Y-8474 . . . . .	1416		1839		1364		1016
9Y-8683 . . . . .	877	002-6453 . . . . .	467		1510		1018
9Y-8684 . . . . .	877		470		1522		1182
9Y-8733 . . . . .	1302		473		1899		1185
9Y-8943 . . . . .	303		845		1903		1188
	910		849		1923		1191
	1480		851		1924		1194
9Y-9111 . . . . .	5	003-8581 . . . . .	1004		1926	030-7957 . . . . .	1960
	9		1018		1928		1968
	13	003-9163 . . . . .	517		1929		2007
	16		518		1931		2009
	▶712		520		1941		2081
9Y-9175 . . . . .	116		521		1943	030-7961 . . . . .	1395
	117		575		1948		1483
	123		576		1950		1485
	124		578		1952		1487
	125		580		1954		1489
	143		582	030-7946 . . . . .	494		1962
	147		584		652		1966
9Y-9373 . . . . .	1416		586		654	030-7972 . . . . .	31
9Y-9587 . . . . .	432		588		985		34
9Y-9594 . . . . .	▶124		590		1004		38
	132		591		1018		304
9Y-9598 . . . . .	▶125		593		1033		1174
	145		1534		1047		1178
9Y-9771 . . . . .	2017		1537		1071		1477
	2021		1539		1079	030-7976 . . . . .	1524
	2025		1541		1087	030-7977 . . . . .	1174
	2029		1543		1097		1178
	2033		1545		1122		1191
	2038		1547		1130		1194
	2041		1549		1152	030-7982 . . . . .	304
	2044						

## 0

# PART NUMBER INDEX

Part	Page	Part	Page	Part	Page	Part	Page
	1174		1596		1689		35
	1477		1598		1690		38
030-8307 . . . . .	703	032-1269 . . . . .	30		1694		2068
	1526		31		1695	062-5388 . . . . .	1348
	1528		34		1699		1448
	1534		35		1700		1449
	1537		38		1703		1454
	1539		453		1706		1455
	1541	032-2580 . . . . .	1031		1707	064-9020 . . . . .	1209
	1543		1033		1712	067-6495 . . . . .	1380
	1545		1064		1720		1382
	1547		1071		1724		1903
	1549		1072		1727		1905
	1551	032-3592 . . . . .	1806		1730		1907
	1553	033-2177 . . . . .	30		1733		1909
	1555		34		1739		1911
030-8535 . . . . .	282		38		1761		1913
030-8967 . . . . .	2001	033-6031 . . . . .	310		1764		1915
030-9613 . . . . .	1350		321		1767		1917
031-0249 . . . . .	2035		322	039-4317 . . . . .	1627		1918
031-4136 . . . . .	1016		362		1636		1928
	1021		364		1638		1929
031-4155 . . . . .	309		440		1640		1941
	450		442		1643		1943
	800		443		1646		1945
	2039		444	044-3994 . . . . .	1716		1948
	2042		446		1754		1950
	2045	033-6042 . . . . .	126	045-4065 . . . . .	1269		1951
	2048		135		1609		1954
	2051		137		1611		1958
031-4630 . . . . .	803		143		1612		1964
	807		147		1615		1972
031-5744 . . . . .	1534		534		1662	090-4719 . . . . .	1322
	1537		571		1665	091-0081 . . . . .	688
	1541		1361		1668		1534
	1543		1899		1671		1559
	1545	034-0728 . . . . .	1524		1724	095-0673 . . . . .	1627
	1547		1526		1727	096-3001 . . . . .	1430
	1549		1528		1730		1435
	1551	034-4160 . . . . .	26		1733	096-4833 . . . . .	1627
	1553		28		1736		1635
	1555	036-9821 . . . . .	1652		1739		1643
032-1267 . . . . .	190		1655		1742	097-5921 . . . . .	1784
	192		1658	051-4069 . . . . .	1625		2054
	534		1661	053-2294 . . . . .	407	097-7404 . . . . .	1847
	536		1664		409		
	571		1675		411		
	858		1680		413		
	1271		1685		415		
	1274		1690	053-4679 . . . . .	573		
	1277		1695	053-5065 . . . . .	35	100-3145 . . . . .	304
	1279		1700		38		871
	1281		1703		327		873
	1283		1707		329		1473
	1285		1712		331	100-3146 . . . . .	304
	1287		1720		333		871
	1289		1723		393		873
	1292		1726		398		1473
	1596		1729		400	100-3147 . . . . .	304
	1598		1732	061-7738 . . . . .	304		871
032-1268 . . . . .	858		1735		526		873
	1169		1738		1474		1473
	1171		1741	061-8114 . . . . .	961	100-3148 . . . . .	304
	1271		1761		964		871
	1274		1764	061-8639 . . . . .	1005		873
	1277		1767		1018		1473
	1279	036-9823 . . . . .	1652	061-9456 . . . . .	500	100-3149 . . . . .	304
	1281		1658		511		871
	1283		1674	061-9457 . . . . .	986		1473
	1285		1675		988	100-3237 . . . . .	1194
	1287		1679	061-9463 . . . . .	495		1206
	1289		1680	061-9593 . . . . .	30		1207
	1292		1684		31	100-3245 . . . . .	1871
	1506		1685		34	100-3638 . . . . .	1350

1

# PART NUMBER INDEX

Part	Page	Part	Page	Part	Page	Part	Page
	▶1438		▶155		938	104-4767	91
100-3877	304	101-0831	20		939		94
	428		22		940		380
	430		▶106	102-0294	▶908	104-6202	1848
	1475	101-0832	292		953	104-7287	2017
100-3878	304	101-1198	127	102-0296	▶909		2021
	428		304		943		2025
	430		1475		944		2029
	1475	101-1227	▶116		945		2033
100-3879	304		137	102-2240	1835	105-0253	113
	428	101-1241	▶117		1839	105-0254	113
	430		126	102-3540	▶285	105-0255	113
	1475	101-1244	▶126	102-7532	1591	105-0256	113
100-3880	304	101-1247	22	102-8634	291	105-0257	113
	428		▶1174		293	105-3045	285
	430	101-1260	22	102-8802	1577	105-3762	1314
	1475		▶684		1581		1317
100-4095	▶814	101-1268	284		1623		1319
	907	101-1269	20		1819	105-4656	▶402
	908		22	102-8803	1566		2140
	909		▶283		1567	105-4657	▶403
100-4324	▶170		▶284		1572		2140
	171	101-1364	266		1573	105-7542	1866
	184		304		1574		1869
100-4325	▶170		1476		1575	106-3512	650
	341	101-1365	266		1810	106-4586	22
	388	101-1366	266		1835		▶44
100-5566	1866		304		1839	106-5078	899
	1869		1476	102-8804	1428	106-5164	1996
100-5805	1430	101-1367	266		1430		1998
	1435		304	102-8806	1440	106-5169	▶1996
100-5861	899		1476		1444	106-5171	▶1998
100-6165	1481	101-1368	266		1993		2000
100-6531	1307	101-1369	266		1994	106-7408	2118
	1309		304		1995	106-8551	▶1652
	1311		1476		2051		1744
	1313	101-1370	266	102-8808	1440	106-8554	▶1655
	1316		304	102-8810	1440		1746
	1319		1476	102-8816	1877	106-8943	▶1374
100-6532	1313	101-1372	266	103-0174	1911	106-9819	1867
	1316		304		1915		1870
	1319		1476	103-1582	▶2105	106-9926	2017
100-6816	907	101-2862	348	103-1836	2017		2021
	908		354		2038		2025
	909	101-4135	1194	103-1837	1813		2029
	912	101-4197	106		2018		2033
	914		304		2022		2038
	916		1475		2026		2041
	924	101-4199	304		2030		2044
	925		309		2034		2047
	929		440	103-6101	▶1887		2050
	931		444	103-6197	2018	107-0278	20
	933		450		2022		22
	934		1475		2026		▶100
100-7886	135	101-5003	1877		2030	107-0475	20
100-8075	457	101-8238	▶967		2033		22
	463		1031		2038		▶686
	496		1033		2041	107-0861	22
	500		1064		2044		▶860
	503		1071		2047	107-0997	▶1658
	506	101-8678	614		2050	107-1727	614
101-0222	1877		615	103-6272	2034		615
101-0225	▶1877	101-8679	614		2091	107-1728	▶614
	2017		615	103-8975	▶2091	107-1729	▶614
	2021		629	104-1718	714	107-1730	▶615
	2025	101-9798	2017		719	107-2477	272
	2029		2021		721	107-2482	1867
	2033		2025		740		1869
	2038		2029		744	107-2853	2001
	2041		2033	104-2183	1996	107-2855	1
	2044	102-0050	1587	104-3651	1440		▶2001
	2047		▶1588		1444	107-3759	304
	2050		1887		1445		801
101-0830	22	102-0291	▶907		2052		802

# PART NUMBER INDEX

Part	Page	Part	Page	Part	Page	Part	Page
	1475		526		1472		2045
107-4910	. 740		528	10R-2010	▶149		2048
	744		530		157		2051
107-5565	. 719		532	10R-3139	. 1475	111-1349	. 541
	721		684	10R-4343	. 1480		545
	744		697	10R-7765	▶157		2129
107-5696	. 1877		1016		1476		2134
	2039		1174	10R-8619	. 362	111-2077	. 304
	2042		1178	10R-8844	. 364		860
	2045		1237	10R-9762	. . 1		1472
	2048		1239		▶1472	111-2078	. 304
	2051		1474	110-0096	. 2135		860
107-5856	. 1866		1477		2138		1472
	1869		1478	110-6606	. 52	111-2081	. 356
107-5857	. 1867	108-3190	▶1810	110-6844	. 1444		358
	1870	108-3561	. 52		2051		360
107-5907	. 1877	108-4877	. 714	110-6845	. 1444	111-3388	. 304
	2039	108-8127	. 1877		2051		1174
	2042		1878	110-6991	. 155		1178
	2045	108-8500	. 1882		159		1477
	2048	108-9342	. 814		165	111-3389	. 304
	2051	109-2332	. 304		295		1174
107-6864	. 304		318		298		1178
	871		319		316		1477
	1473		449		362	111-3684	. 309
107-7184	. 22		457		364		1835
	▶871		463	110-6992	. 137		1839
107-7186	. 22		496	110-6993	. 116	111-3812	. 356
	▶910		500	110-6994	. 127	111-3820	. 318
107-7196	. 22		503		137		319
	▶801		506	110-6995	. 304		457
107-7289	. 1866		611		690		463
	1869		1477		693		496
107-7330	. 366		2129		1480		501
	368		2131	110-8314	. 311		503
	372		2134		871		506
	376		2136		873		2131
107-7331	. 366	109-3038	. 1440	110-8714	. 1444		2136
	368		1444		1828	111-3824	. 304
	372		1445		2055		684
	376		1821		2085		1478
107-7332	. 366		1822		2086	111-3825	. 304
	368		1823	110-8909	. 1866		684
	372		1824		1869		1478
	376		1825	110-9211	▶1408	111-4374	. 778
107-7333	. 366		1826	110-9538	. 304		784
	368		1827		690		1481
	372		2030		693	111-4399	. 1627
	376		2051		1480		1637
107-7334	. 366		2052	111-0349	. 304		1640
	368	109-3481	. 814		1368		1643
	372	109-5916	. 616		1370		1646
	376		639		1474	111-5052	. 304
107-7335	. 366	109-5917	. 635	111-1323	. 1867		690
	368	109-6507	. 1350		1871		1480
	372		1866		2017	111-5056	. 304
	376		1869		2021		690
107-7348	. 500		2017		2025		693
107-7954	. 304		2021		2029		1480
	310		2025		2033	111-5822	. 837
	871		2029	111-1324	. 1867	111-8276	. 304
	873		2033		1870		686
	1473		2038		2017		1478
107-8758	. 803		2041		2021	111-8277	. 304
	807		2044		2025		686
107-8759	. 803		2047		2029		1478
	807		2050		2033	111-8639	. 455
107-8760	. 803	109-7411	. 304		2042		463
	807		846		2045		473
107-8769	. 1607		860		2048	111-8684	. 2055
108-1290	▶171		1472		2051	111-9374	. 304
108-1434	. 301	109-8932	. 1458	111-1325	. 1350		686
	308		1470		2039		1478
	495	10R-1072	▶769		2042	112-1567	. 310

# PART NUMBER INDEX

Part	Page	Part	Page	Part	Page	Part	Page
112-3540	846 313 318 319 536 844 2132		240 256 1432 204 214 240 256		914 356 453 154 43 304 1475	120-4504	1 2086
112-3588	1866 1871	116-2652	1432	118-4609	356	120-4510	1445 2052
112-3589	883	116-3242	204	118-5542	453	120-6881	1881 2018 2038
112-3590	883		240	118-9491	154	120-7420	605 607
112-3596	1244	116-3249	304	119-0838	43	120-7421	688 708
112-3597	1242 1244		690	119-0839	43 304 1475	120-7422	22 690
112-4387	1368	116-3263	356	119-0977	1825	120-7425	305 690 1480
112-4921	20 22 455	116-3266	1537	119-0978	1825	120-7532	911 1428
112-4922	22 1002		1541 1543 1545 1547 1549	119-3662	1345 1431 1436 1445	121-0200	1428
112-6033	20 450	116-7010	22	119-4890	300 910 911	121-0817	1865 2055
112-6597	1607		1211 1212	119-5659	2001	121-1110	1345
112-9708	714	116-7654	2039	119-6282	1511	121-2022	305 690 1480
112-9709	714		2041 2044	119-6283	1512 1513	121-2023	305 690 1480
113-4634	458 460 467		2048 2051 1867	119-6284	1483 1487 1495	121-2630	1164 1213
113-4649	1	116-7655	1870		1497 1504 1513	121-3321	22 1368
113-8432	406	117-0066	86	119-7333	304 784 1481	121-3328	1867 1869
113-8433	406		88		21	121-3555	22 86
114-0355	1895 1896 1897	117-0067	1835	119-7334	22 784	121-3563	1213
114-1142	1867 1870	117-4739	1576	119-7733	2038 2041 2044	121-4101	2055 2085
114-1143	1867 1870		1976		2047 2050	121-4102	1865 2086
114-2040	304 690 693	117-8766	1580	119-8398	2038	121-4705	2091
114-2410	1865 2055 2085	117-9308	46 309	119-8399	2038 2047 2050	121-4707	1979
114-2411	356	117-9721	1824		2038 2041 2044	121-4710	2000
114-2413	356 358	117-9722	1824	119-8400	2038 2041 2044	121-4711	2000
114-2414	360	117-9723	1824		2047 2050	121-4712	2054
114-2505	1482	117-9724	1821	119-8401	2038 2041 2044	121-4716	1980
114-3372	266 304 1476	118-0175	2 3 1878		2047 2050 2050	121-4717	1981
114-3376	20 22 688	118-1655	366 368 372 376	119-9443	275 276 2038 2041 2044	121-4721	2039 2042 2045 2048 2051
114-5477	1174 1178 1194	118-1656	308 1371 1532 1537 1541 1543 1545 1547 1549	120-0238	2038 2041 2044	121-5487	457
114-8843	1428		1551 1555 2066 2068	120-0568	1847 1848 1480	121-5489	457
114-9437	6 10 14 18	118-2070	2 3 1879 1880 1898	120-4244	1480	121-5736	313 362 364 844 913 915
115-1322	1866 1869		2 3 1879 1880 1898	120-4339	43		920 926 939 940 945
115-2538	1866 1869		1879 1880 1898	120-4344	304 690		950 953 955
115-7841	457	118-2071	3	120-4493	1		2133
115-9609	1819		1880 1881 1882	120-4498	1 1817 1818		
116-1359	320	118-2988	815 912	120-4503	1 2085		
116-1365	204 214						

# PART NUMBER INDEX

Part	Page	Part	Page	Part	Page	Part	Page
121-9839 . . . . .	167		▶440		2038	126-7490 . . . . .	2017
122-3203 . . . . .	1869	124-5572 . . . . .	24		2041		2021
122-3214 . . . . .	714		26		2044		2025
122-3374 . . . . .	305	124-8395 . . . . .	20		2047		2029
	846		22		2051		2038
	860		▶266	126-3085 . . . . .	1160		2041
	1473	124-9437 . . . . .	1242	126-3086 . . . . .	1974		2044
122-3375 . . . . .	305		1244	126-3087 . . . . .	▶1440		2047
	860	125-0171 . . . . .	2038		2038		2050
	1473		2041		2041	126-7491 . . . . .	2017
122-3376 . . . . .	305		2044		2044		2021
	860		2047		2047		2025
	1473		2050		2051		2029
122-6585 . . . . .	1826	125-2061 . . . . .	▶816	126-3088 . . . . .	2000		2033
122-6586 . . . . .	1827		911	126-3089 . . . . .	2000		2038
122-6587 . . . . .	1821	125-2784 . . . . .	305	126-3093 . . . . .	2039		2041
122-6588 . . . . .	1821		526		2042		2044
	1822		528		2045		2047
122-6589 . . . . .	1822		1474		2048		2050
	1827	125-2785 . . . . .	457	126-3094 . . . . .	▶1440	126-7492 . . . . .	2017
122-6590 . . . . .	1822	125-5178 . . . . .	1974	126-3095 . . . . .	▶1440		2021
122-6591 . . . . .	1823	125-6347 . . . . .	▶1899		2039		2025
122-8856 . . . . .	298	125-6348 . . . . .	▶1901		2042		2029
	305	125-6351 . . . . .	▶1903		2045		2034
	320	125-6533 . . . . .	1733		2048	126-7497 . . . . .	1974
	686		1739	126-3096 . . . . .	▶1440	126-7499 . . . . .	2017
	1478	125-6535 . . . . .	1662		2039		2021
123-0316 . . . . .	1428		1665		2042		2025
	1430		1668		2045	126-7574 . . . . .	1406
	1870		1671		2048	126-8472 . . . . .	1874
123-3395 . . . . .	1867		1733	126-3097 . . . . .	▶1441	127-0594 . . . . .	2003
	1870		1736	126-3101 . . . . .	2017	127-2176 . . . . .	295
123-6868 . . . . .	453		1739		2021		298
123-8206 . . . . .	▶325		1742		2025		316
123-9693 . . . . .	1031	125-6536 . . . . .	1662	126-3103 . . . . .	1160		362
	1033		1733		▶1441		364
123-9694 . . . . .	1867		1736		2017		686
	1870		1739		2035		712
124-0059 . . . . .	▶1524		1742	126-3104 . . . . .	▶1441	127-2331 . . . . .	1866
124-0111 . . . . .	▶714	125-6537 . . . . .	1662		2017		1869
	748		1733		2021	127-2378 . . . . .	814
124-0174 . . . . .	1899		1739		2025	127-4641 . . . . .	1867
124-0284 . . . . .	428	125-7874 . . . . .	1411	126-3105 . . . . .	▶1441		1871
	1447		1428	126-4175 . . . . .	10	127-5398 . . . . .	1867
124-0326 . . . . .	▶1589		1431		13		1871
	1819		1436		18	127-5400 . . . . .	38
124-1858 . . . . .	2131		1828		▶2129		194
124-1961 . . . . .	305	125-7875 . . . . .	1431	126-4183 . . . . .	10		196
	1477		1436		14		200
124-3173 . . . . .	▶1031		1445		18		202
	1045	125-9750 . . . . .	268	126-5485 . . . . .	▶2055		204
	1143		270		2087		206
124-3174 . . . . .	▶1033		272	126-5486 . . . . .	▶2003		208
	1039	125-9751 . . . . .	266		2087		210
	1141		304	126-6110 . . . . .	▶24		214
124-3176 . . . . .	1350		1476	126-7488 . . . . .	2017		216
	1867	125-9794 . . . . .	312		2021		218
	1870		358		2025		220
	2021		360		2029		222
	2025	125-9969 . . . . .	1445		2033		224
	2029	126-0577 . . . . .	442		2038		240
	2033		443		2041		245
	2042	126-1655 . . . . .	1865		2044		249
	2045		2055		2047		256
	2047	126-1767 . . . . .	1577		2050		260
	2050		1581	126-7489 . . . . .	2017		262
124-4273 . . . . .	457	126-1768 . . . . .	1431		2021		264
124-4477 . . . . .	2038	126-1774 . . . . .	1445		2025		393
	2041	126-2209 . . . . .	305		2029		397
	2044		871		2038		398
	2047		1473		2041		728
	2050	126-2210 . . . . .	1867		2044		730
124-5505 . . . . .	457		1870		2047		732
124-5512 . . . . .	22	126-3084 . . . . .	▶1439		2050		748

# PART NUMBER INDEX

Part	Page	Part	Page	Part	Page	Part	Page
	750		1985		85		1869
	752	130-3327 . . . . .	1985	133-6270 . . . . .	107	135-0178 . . . . .	▶913
	754	130-3328 . . . . .	1983		108	135-5009 . . . . .	1565
	766	130-3329 . . . . .	1987		442		1591
	769	130-3332 . . . . .	▶1984		443	135-5101 . . . . .	. 913
127-6260 . . . . .	1457		1985		451		▶914
	1469	130-3333 . . . . .	▶1985	133-6350 . . . . .	1881	135-6910 . . . . .	1031
127-8129 . . . . .	▶1819		1988		▶1882		1033
127-8660 . . . . .	. 783		2058		1883	135-6912 . . . . .	. 305
	784		2060		1885		860
	790		2061	133-6351 . . . . .	▶1883		1473
127-9068 . . . . .	1160	130-3349 . . . . .	▶1986		2022	135-6913 . . . . .	. 305
127-9070 . . . . .	2018		1987		2041		860
	2022		1989	133-6461 . . . . .	▶453		1473
	2026		1990	133-6484 . . . . .	. 309	135-8812 . . . . .	. 18
	2030		1991	133-8382 . . . . .	. 305	135-8813 . . . . .	. 10
	2034		1992		686		14
	2039	130-3350 . . . . .	▶1987		1478		18
	2041		2061	133-9302 . . . . .	. 891		▶2129
	2044	130-6797 . . . . .	1428	133-9306 . . . . .	. 152	135-9941 . . . . .	. 307
	2048	130-9715 . . . . .	1879		157	136-0991 . . . . .	▶2017
	2051		1880		161		▶2021
127-9867 . . . . .	. 939	130-9716 . . . . .	1882		163		▶2025
	944		1883		296		▶2029
	948	131-0420 . . . . .	. 155		297		▶2033
128-0115 . . . . .	1823		159	133-9308 . . . . .	1866	136-3376 . . . . .	. 2038
128-0795 . . . . .	1826	131-0421 . . . . .	. 155		1869		2041
128-2507 . . . . .	1874		159	133-9309 . . . . .	. 967		2044
128-3147 . . . . .	1874	131-1958 . . . . .	▶1988	133-9313 . . . . .	. 455		2047
128-3326 . . . . .	▶1563	131-1960 . . . . .	▶2057		457		2050
	2054	131-1961 . . . . .	▶2058		460	136-3798 . . . . .	. 2017
128-4845 . . . . .	. 113	131-1962 . . . . .	▶2059		463		2021
	114	131-1963 . . . . .	▶2060		468		2025
128-5988 . . . . .	. 451	131-1965 . . . . .	▶2061		471	136-3799 . . . . .	▶1441
128-5993 . . . . .	. 46	131-4345 . . . . .	1031		473		2017
	311		1033	133-9314 . . . . .	. 940		2021
128-6786 . . . . .	. 113	131-4731 . . . . .	1430		945		2025
	114		1435	133-9850 . . . . .	1879		2029
128-9506 . . . . .	. 305	131-5454 . . . . .	1160		1886		2034
	871		▶1373	134-0073 . . . . .	. 1	136-5923 . . . . .	. 2001
	1473		1974		▶1835	136-7227 . . . . .	. 310
129-1966 . . . . .	1444	131-9118 . . . . .	1819	134-0074 . . . . .	. 1		313
129-2269 . . . . .	1819	131-9119 . . . . .	▶2087		▶1839		320
129-2300 . . . . .	1899	132-6469 . . . . .	. 300	134-2252 . . . . .	. 1588		844
129-2301 . . . . .	1899		428		▶1590		2132
129-2302 . . . . .	1901		430	134-3098 . . . . .	1526		2137
129-2303 . . . . .	1901		▶1447		1528	136-7817 . . . . .	▶2038
129-2304 . . . . .	1903		1475	134-3100 . . . . .	1526		▶2041
129-2305 . . . . .	1903	132-7551 . . . . .	2145		1528		▶2044
129-3021 . . . . .	. 891	132-8276 . . . . .	1866		1534		▶2047
129-3083 . . . . .	. 305	132-8488 . . . . .	1870		1539		▶2050
	690	132-8900 . . . . .	1368		1553	136-9145 . . . . .	. 1526
	693		▶1405	134-3241 . . . . .	▶1587		1528
	1480	133-1207 . . . . .	1580	134-3530 . . . . .	▶616	136-9369 . . . . .	▶1526
129-3096 . . . . .	1031	133-2966 . . . . .	. 49		640		▶1528
	1033	133-3822 . . . . .	1869	134-3533 . . . . .	▶617	136-9370 . . . . .	▶1530
129-4181 . . . . .	. 436	133-3917 . . . . .	▶1566		640		▶1532
129-4863 . . . . .	. 818		1587	134-3734 . . . . .	▶619	136-9476 . . . . .	. 1530
129-7563 . . . . .	▶1627		1887		634	136-9635 . . . . .	▶915
129-9528 . . . . .	. 305	133-3954 . . . . .	. 816	134-3735 . . . . .	▶620	136-9636 . . . . .	. 457
	860	133-5981 . . . . .	. 348		634	137-0259 . . . . .	. 1826
	1473		354	134-3804 . . . . .	. 854		2039
130-2366 . . . . .	. 744	133-6261 . . . . .	. 84		862	137-1352 . . . . .	2042
130-2607 . . . . .	. 149		85		868		2045
	150		87	134-4126 . . . . .	1406		2048
130-2608 . . . . .	. 149		426	134-5402 . . . . .	▶912		2051
	150	133-6265 . . . . .	. 107		915	137-5525 . . . . .	▶1884
130-2613 . . . . .	. 167		108	134-5573 . . . . .	. 616		1898
130-3324 . . . . .	▶1982		442	134-5645 . . . . .	. 518	137-5549 . . . . .	. 905
	1983		443		520		906
130-3325 . . . . .	▶1983		451		523	137-5550 . . . . .	. 905
	2057	133-6268 . . . . .	. 87	134-6258 . . . . .	1432		906
	2058		426	134-6275 . . . . .	. 308	137-5551 . . . . .	. 905
130-3326 . . . . .	1983	133-6269 . . . . .	. 84	134-6538 . . . . .	1866		906

# PART NUMBER INDEX

Part	Page	Part	Page	Part	Page	Part	Page
137-5552	. . . . . 905	143-5170	. . . . . 656	146-3740	. . . . . ▶172		297
	906		662		185	149-4156	. . . . . 719
137-5553	. . . . . ▶905		664	146-6769	. . . . . 719		721
	▶906		666		721	149-4311	. . . . . 719
137-5554	. . . . . ▶809		668	146-8944	. . . . . 10		721
137-5557	. . . . . 809		670		13	149-4312	. . . . . 719
137-6857	. . . . . 467		680		17		721
137-8219	. . . . . 309		682	146-8947	. . . . . 10	149-5462	. . . . . 777
	693	143-5171	. . . . . 656		14	149-6031	. . . . . 114
138-1729	. . . . . ▶1620		662		▶2131	149-6032	. . . . . 114
138-1778	. . . . . 1884		664	146-8948	. . . . . 10	149-6033	. . . . . 114
138-1967	. . . . . ▶1813		666		14	149-6034	. . . . . 114
138-2887	. . . . . 26		668		18	149-6035	. . . . . 114
	28		670	147-0183	. . . . . 10	149-9297	. . . . . 449
138-6614	. . . . . ▶1974		680		14	149-9298	. . . . . 358
138-6615	. . . . . ▶1160		682	147-0184	. . . . . 10		360
138-8186	. . . . . ▶1974	143-5180	. . . . . 905		14	150-4157	. . . . . 495
138-8506	. . . . . . 372	143-5181	. . . . . 905		18	150-4213	. . . . . 38
	376	143-5183	. . . . . 905	147-1443	. . . . . 1430	150-5146	. . . . . 24
139-1398	. . . . . 308	143-5184	. . . . . 905	147-3738	. . . . . ▶798	150-7972	. . . . . 323
139-1568	. . . . . 1618		906	147-3745	. . . . . 1206	151-9228	. . . . . ▶274
139-1575	. . . . . 955	143-9207	. . . . . 717		1207	151-9263	. . . . . 172
139-8537	. . . . . ▶1865	143-9208	. . . . . 717	148-7983	. . . . . 719		173
	2087		724	148-7984	. . . . . 719	151-9264	. . . . . 104
139-8548	. . . . . ▶2087	144-0502	. . . . . 26	148-7985	. . . . . 719	152-0596	. . . . . ▶881
139-8549	. . . . . ▶2087		28		721	152-1005	. . . . . 38
139-8551	. . . . . ▶1848	144-0503	. . . . . 26	148-7986	. . . . . 719	153-1223	. . . . . 1430
140-2988	. . . . . 940		28	148-7987	. . . . . 719		1435
	945	144-0725	. . . . . 366		721	153-2707	. . . . . 1432
140-9597	. . . . . 196		368	148-7988	. . . . . 719	153-4906	. . . . . 1522
	210		372		721		1901
	224		376	148-7989	. . . . . 719		1903
	249	144-0742	. . . . . ▶26	148-7990	. . . . . 719		1952
	264		38	148-7991	. . . . . 719		1954
	320	144-2159	. . . . . 1526		721		1956
141-0812	. . . . . ▶1442		1528	148-7992	. . . . . 719	153-9481	. . . . . 308
141-0813	. . . . . ▶1442	144-5692	. . . . . 127		721		693
141-0814	. . . . . ▶1442		295	148-7994	. . . . . 719	153-9963	. . . . . 310
141-0815	. . . . . ▶1442		298		721		693
141-0816	. . . . . ▶1442		316	148-7995	. . . . . 719	154-1581	. . . . . 455
141-0817	. . . . . ▶1442		362		721		463
141-0818	. . . . . ▶1443		364	148-7996	. . . . . 716		473
141-0819	. . . . . ▶1443	144-5695	. . . . . 366		723	154-1584	. . . . . 436
141-0820	. . . . . ▶1443		368	148-7997	. . . . . 716	154-1612	. . . . . ▶150
141-0821	. . . . . ▶1443		1480		723		161
141-0822	. . . . . ▶1443	144-6074	. . . . . 717	148-7998	. . . . . 719	154-1616	. . . . . 305
141-2064	. . . . . 2021		724		721		686
	2025	144-6076	. . . . . 717	148-7999	. . . . . 719		1478
	2041		724		721	154-1617	. . . . . 305
	2044	144-6080	. . . . . ▶716	148-8000	. . . . . 716		686
141-5085	. . . . . ▶2		717		▶719		1478
141-6749	. . . . . 1	144-6081	. . . . . ▶717	148-8001	. . . . . 793	154-3254	. . . . . 1430
	22	144-8263	. . . . . 196	148-8002	. . . . . 793		1435
	▶883		210	148-8003	. . . . . 793	154-6389	. . . . . 305
141-6751	. . . . . 22		224	148-8004	. . . . . 793		428
	▶526		249	148-8005	. . . . . 716		430
141-7047	. . . . . ▶878		264		723		1475
141-7116	. . . . . 333	144-8274	. . . . . 891		▶793	155-0461	. . . . . 305
141-7143	. . . . . 440	144-8275	. . . . . ▶891	148-8006	. . . . . 716		1368
141-9280	. . . . . 883		903		723		1474
141-9281	. . . . . 883		1595	148-8007	. . . . . ▶495	155-0576	. . . . . 309
141-9285	. . . . . 305	145-2362	. . . . . ▶1567	148-8352	. . . . . 1543		1370
	688		1587		1549		1371
	1479		1887		1553	155-0726	. . . . . 323
142-0038	. . . . . 1543	145-4684	. . . . . 10		1555		324
	1549		14	149-1981	. . . . . 149	155-1690	. . . . . 455
	1551		18		150		463
	1555	145-7813	. . . . . 10		296		470
142-4159	. . . . . 348		14	149-1982	. . . . . 152		473
	354		18		157	155-2260	. . . . . 1432
143-0497	. . . . . 1		▶2130		161		1444
	▶1866	145-7815	. . . . . 10		163		1568
143-0498	. . . . . 1		14		167		1569
	▶1869		18		296		1570



# PART NUMBER INDEX

Part	Page	Part	Page	Part	Page	Part	Page
	1571		▶1207		463		1277
	1580	157-0443 . . . . .	455		473		1279
	2051		463		503		1281
155-2261 . . . . .	1578		470		506		1283
155-2263 . . . . .	1578		473		603		1285
	1583	157-2792 . . . . .	▶1784		693		1287
155-2265 . . . . .	1869		2029		748		1289
	1870		2033		833		1292
	1877		2047		839		1596
	1878		2050		1541		1598
155-2270 . . . . .	428	158-4240 . . . . .	▶1788		1543	172-0265 . . . . .	▶1252
	1431	158-6168 . . . . .	▶3		1545		1277
	1445	158-6170 . . . . .	▶3		1547		1279
	1447	158-6174 . . . . .	2029		1549		1281
	1578		2033		1551		1283
	1582	158-6176 . . . . .	2047		1555		1285
	1847		2050	165-7573 . . . . .	10		1287
155-2271 . . . . .	1428	158-6181 . . . . .	3		14		1596
	1431		▶1563	166-4116 . . . . .	310		1598
	1870	158-6255 . . . . .	1866		528	172-0269 . . . . .	1279
155-2274 . . . . .	1444		1869	166-4173 . . . . .	1418		1283
	1456		▶1888	166-4374 . . . . .	651		1287
	1578	159-1190 . . . . .	1835		770		▶1304
	1583	159-1191 . . . . .	1839	166-4376 . . . . .	770		1598
	2051	159-1798 . . . . .	1879		774	172-0271 . . . . .	1252
155-2563 . . . . .	▶87	159-9322 . . . . .	1430	166-5944 . . . . .	167	172-0272 . . . . .	1252
155-2564 . . . . .	▶84		1431	166-5945 . . . . .	149		1254
155-2565 . . . . .	▶107	159-9496 . . . . .	1428		150	172-4288 . . . . .	1201
155-2566 . . . . .	▶108		1431		296	172-6355 . . . . .	1445
155-2567 . . . . .	▶425		1432	166-6929 . . . . .	1866	172-7669 . . . . .	2051
	426		1435		1869	172-7670 . . . . .	2051
155-2568 . . . . .	442		1436		▶1993	172-7671 . . . . .	2052
155-2569 . . . . .	107	160-7086 . . . . .	1471	166-6936 . . . . .	1866	173-0469 . . . . .	▶1444
155-2571 . . . . .	108		1630		1869		2029
155-2572 . . . . .	443		1633		▶1994		2033
	451	160-7690 . . . . .	1431	166-6940 . . . . .	1871	173-0471 . . . . .	▶1445
155-2573 . . . . .	84		1445		▶1995		2029
155-2574 . . . . .	85	160-8761 . . . . .	1623	166-9275 . . . . .	▶1444		2033
155-2575 . . . . .	87	160-8766 . . . . .	1623		2029	173-1800 . . . . .	▶1301
155-2583 . . . . .	▶85	161-2513 . . . . .	573		2033	173-5413 . . . . .	1869
155-2584 . . . . .	▶442	161-6934 . . . . .	470	168-6357 . . . . .	454	173-7181 . . . . .	1996
155-2585 . . . . .	▶443	161-9926 . . . . .	▶1568	169-2182 . . . . .	1463		1998
155-2586 . . . . .	▶426		1835		1464		2000
155-2589 . . . . .	617		1839		1465		2029
155-2590 . . . . .	617	162-0589 . . . . .	1445	169-7294 . . . . .	1418		2034
	632	162-7662 . . . . .	1866		1420		2051
	636		1869	169-8612 . . . . .	1012	174-0503 . . . . .	1430
	641		▶1874		1016		1435
155-2591 . . . . .	617	163-7882 . . . . .	1835	169-8613 . . . . .	1018	174-1435 . . . . .	1867
	632		1839	169-8614 . . . . .	1018		1870
	636	164-7572 . . . . .	24	169-8615 . . . . .	▶1242	174-4290 . . . . .	1982
	641	164-8923 . . . . .	▶1885		1248		1987
155-2592 . . . . .	617		2026	169-8617 . . . . .	1242		1990
	632		2030	171-1359 . . . . .	274	174-7088 . . . . .	305
	636		2034	171-4571 . . . . .	▶173		1174
	641		2044		342		1477
155-2593 . . . . .	1410		2047		389	175-4981 . . . . .	719
	▶1852		2050	171-5349 . . . . .	1576		721
155-2594 . . . . .	▶451	164-8926 . . . . .	1299		1577	175-4982 . . . . .	719
155-2596 . . . . .	617	165-3929 . . . . .	91		1581		721
	632		92		1582	175-4983 . . . . .	719
	636		94		1586		721
	641		305	172-0259 . . . . .	▶1277	175-4984 . . . . .	714
155-4094 . . . . .	305		307		▶1279		719
	428		503	172-0260 . . . . .	▶1281		721
	430		506		▶1283	175-4985 . . . . .	714
	1475		693	172-0261 . . . . .	▶1285		719
156-9748 . . . . .	1206		846		▶1287		721
	1207		873	172-0262 . . . . .	▶1596	175-4986 . . . . .	714
156-9753 . . . . .	1174		1380		▶1598	175-6716 . . . . .	744
	1178		1398	172-0263 . . . . .	1252	175-7748 . . . . .	3
	▶1206		1976		1254		▶1828
156-9754 . . . . .	1174	165-3931 . . . . .	307	172-0264 . . . . .	1271	176-2943 . . . . .	1431
	1178		455		1274		1435

# PART NUMBER INDEX

Part	Page	Part	Page	Part	Page	Part	Page
	1847	191-8390 . . . . .	▶845	202-2141 . . . . .	1430	206-0244 . . . . .	▶1822
176-3226 . . . . .	573	191-8395 . . . . .	1420		1436	206-0245 . . . . .	▶1823
176-7503 . . . . .	300	191-8396 . . . . .	1348	202-2700 . . . . .	1307	206-0246 . . . . .	▶1823
	1405	192-3829 . . . . .	1445		1309	206-0247 . . . . .	▶1824
	▶1406	192-3830 . . . . .	1445		1311	206-0248 . . . . .	▶1824
177-1061 . . . . .	1543	193-2120 . . . . .	309	202-2708 . . . . .	1307	206-0249 . . . . .	▶1824
	1549		693		1309	206-0250 . . . . .	▶1825
	1551	193-3282 . . . . .	366		1311	206-0251 . . . . .	▶1825
	1555		368	202-2762 . . . . .	1361	206-0252 . . . . .	▶1826
177-8845 . . . . .	1630	193-3286 . . . . .	305		1901	206-0253 . . . . .	▶1826
	1633		1477		1907	206-0479 . . . . .	1821
177-8847 . . . . .	1633	193-3288 . . . . .	187		1915		1822
177-9116 . . . . .	1532	194-4897 . . . . .	157		1952		1823
178-3339 . . . . .	1828	194-5226 . . . . .	1568		1956		1824
	1869		1569	202-2783 . . . . .	1309		1825
179-1510 . . . . .	309		1570		1311		1826
180-3927 . . . . .	1256		1571	202-2784 . . . . .	1307		1827
180-9214 . . . . .	1431		1580		1309	206-2587 . . . . .	1578
	1435	194-5227 . . . . .	1568		1311	206-2588 . . . . .	▶1578
180-9339 . . . . .	1572		1569	202-2785 . . . . .	1307	206-2711 . . . . .	1370
183-5974 . . . . .	1532		1571		1309		1371
183-8809 . . . . .	151		1580		1311		▶1407
	296	194-6722 . . . . .	▶1569	202-2786 . . . . .	1307	207-1332 . . . . .	833
	297		1573	202-2787 . . . . .	1307	207-1354 . . . . .	362
184-2472 . . . . .	309	194-6724 . . . . .	▶1570		1309	207-1364 . . . . .	305
	1407		1574		1311		871
185-0091 . . . . .	816		1835	202-9897 . . . . .	1307		873
185-3630 . . . . .	2149		1839		1309		1473
186-3165 . . . . .	2030	194-6725 . . . . .	▶1571		1311	207-2018 . . . . .	1828
	2034		1835	203-2158 . . . . .	470	207-4476 . . . . .	▶1483
	2052		1839	203-8944 . . . . .	1430	209-3559 . . . . .	▶407
186-3166 . . . . .	1867	194-9584 . . . . .	1164		1435	209-3560 . . . . .	▶409
	1871		1167	203-8945 . . . . .	1430	209-3561 . . . . .	▶411
	2030		1230		1435	209-3562 . . . . .	▶413
	2034		1231	203-8977 . . . . .	1428	209-5216 . . . . .	1629
	2052		1233		1431		1632
186-3735 . . . . .	1566	195-2637 . . . . .	2034		1435	20R-0044 . . . . .	362
	1573	196-4795 . . . . .	436	203-8993 . . . . .	1343	20R-0049 . . . . .	364
	1574	196-5052 . . . . .	305	203-8995 . . . . .	1343	20R-1270 . . . . .	1481
	1575		690	203-8996 . . . . .	1343	20R-1626 . . . . .	1475
	1586		1480	203-8999 . . . . .	1345	20R-2353 . . . . .	1476
	1819	196-5053 . . . . .	305		1428	20R-2354 . . . . .	1476
	1835		690		1431	20R-2355 . . . . .	1476
	1839		1480		1435	20R-2356 . . . . .	1476
	1993	196-9530 . . . . .	114		1436	210-2531 . . . . .	913
	1994	197-6995 . . . . .	152	203-9000 . . . . .	1345		915
	2055		157		1428	210-2532 . . . . .	305
186-3736 . . . . .	428		161		1431		871
	1445		163		1435		1473
	1456		296	203-9001 . . . . .	1345	210-2535 . . . . .	311
	1877		297		1428		1178
	1878	197-7008 . . . . .	127		1431	210-2542 . . . . .	157
187-2034 . . . . .	1307	197-7055 . . . . .	157		1435	210-8602 . . . . .	▶393
	1309		161		1436	210-8958 . . . . .	1345
	1311		163	203-9007 . . . . .	1428		1431
187-4606 . . . . .	305		296		1431		1436
	690		297		1432		1573
	1480	197-7347 . . . . .	2095		1435		1574
187-7738 . . . . .	155	197-7348 . . . . .	2096		1436		1579
	159	197-8832 . . . . .	1482	203-9203 . . . . .	822	210-9035 . . . . .	▶1343
188-4701 . . . . .	348	199-5598 . . . . .	▶810	204-0241 . . . . .	1497		1344
	354	199-5601 . . . . .	1343	204-5166 . . . . .	▶1849	210-9214 . . . . .	▶394
189-5746 . . . . .	▶1577			204-5447 . . . . .	366	210-9215 . . . . .	▶395
	1578				368	211-0640 . . . . .	1563
	1835			204-9552 . . . . .	2033		2033
	1840			204-9553 . . . . .	2033	211-2261 . . . . .	815
190-0388 . . . . .	814			205-4825 . . . . .	1629	211-4317 . . . . .	1343
190-0390 . . . . .	822	200-2003 . . . . .	436		1632	211-7826 . . . . .	120
	922	200-5719 . . . . .	1482	205-4827 . . . . .	1629		1480
190-0392 . . . . .	922	200-5722 . . . . .	1482		1632	212-0862 . . . . .	2034
190-1670 . . . . .	2127	200-6504 . . . . .	▶1457	206-0240 . . . . .	▶1821	212-3221 . . . . .	1430
190-8920 . . . . .	766		▶1458	206-0241 . . . . .	▶1821		1435
190-8921 . . . . .	774	201-1519 . . . . .	▶2132	206-0242 . . . . .	▶1822	212-3222 . . . . .	1431
191-8389 . . . . .	845	202-2099 . . . . .	▶1345	206-0243 . . . . .	▶1822		1435

# PART NUMBER INDEX

Part	Page	Part	Page	Part	Page	Part	Page
212-3423	. . . . . 307	218-4935	. . . . . 1445		697	233-9228	. . . . . 1428
	▶1591	219-0280	. . . . . ▶2134		807		1432
212-3426	. . . . . 307	219-3240	. . . . . 643		1479		1436
	▶1579		645	230-2620	. . . . . 305	233-9229	. . . . . 1436
212-8169	. . . . . ▶750	220-2677	. . . . . 20		306	233-9230	. . . . . 1436
	760		▶1370		428	233-9232	. . . . . 1431
212-8177	. . . . . ▶770	220-7173	. . . . . 961		430		1436
	777	222-4059	. . . . . 85		1474	233-9233	. . . . . 1431
212-8179	. . . . . 750	222-5152	. . . . . ▶651	230-2621	. . . . . 305		1436
	752		770		428	233-9234	. . . . . 1436
212-8180	. . . . . 651	222-5153	. . . . . ▶651		430	233-9235	. . . . . 1428
	770	222-9921	. . . . . 283	230-2633	. . . . . 305		1432
212-8183	. . . . . 750		305		428		1436
	752		1475		430	233-9237	. . . . . 1432
	754	223-1696	. . . . . 121		1475		1436
212-8184	. . . . . 651	223-4287	. . . . . 815	231-5867	. . . . . 358	233-9494	. . . . . 1428
	770	223-4288	. . . . . 815		360	233-9495	. . . . . 1428
212-8187	. . . . . 651	223-4289	. . . . . 815	231-6133	. . . . . 1309	233-9517	. . . . . 1428
214-0728	. . . . . 643	223-4291	. . . . . 815		1311		1430
	645	223-6361	. . . . . 366	231-7069	. . . . . 20	234-4182	. . . . . 1211
214-0729	. . . . . 643		368		▶1371		1212
214-0731	. . . . . 305		1480	231-7070	. . . . . 308		1213
	690	223-6470	. . . . . 1563		1371		1216
	1480		2033	231-9863	. . . . . 1345		1229
214-3522	. . . . . 1870	223-7267	. . . . . 1563	231-9864	. . . . . 1345		1231
	2085	224-9869	. . . . . 22	231-9866	. . . . . 1345		1233
	2086		▶428	231-9892	. . . . . 1345	234-8723	. . . . . 20
214-5165	. . . . . 1430	225-3227	. . . . . 611	231-9897	. . . . . 1428		▶1178
	1435	225-4256	. . . . . 783		1432	234-8788	. . . . . 1345
214-6045	. . . . . 832		784		1436	234-8937	. . . . . 91
214-6066	. . . . . 1480		790	231-9898	. . . . . 1430		92
214-7566	. . . . . 150	227-0056	. . . . . 309		1435		94
	151		528	231-9899	. . . . . 1428		314
	296	227-3801	. . . . . 172		1436		318
	297		173	231-9915	. . . . . 1436		319
	315	227-8133	. . . . . 1998	231-9999	. . . . . 307		2132
	321	228-7091	. . . . . 310		▶1345	235-2484	. . . . . 38
	322		528	232-0019	. . . . . 1430		333
	494	228-7097	. . . . . 305		1435		393
	1175		318	232-0893	. . . . . 1432		398
	1178		319		1436		400
	1201		321	232-0894	. . . . . 1430	235-2761	. . . . . 1430
	1897		496		1435	235-2765	. . . . . 1432
	1946		503	232-0900	. . . . . 1430	235-2768	. . . . . ▶1344
	2138		506		1435		1345
214-7568	. . . . . 127		1477	232-4442	. . . . . 883	235-2771	. . . . . 1430
	295		2137	232-4443	. . . . . 883	235-2773	. . . . . 1430
	298	228-7103	. . . . . 310	232-4448	. . . . . 883	235-2774	. . . . . 1435
	310		528	232-4449	. . . . . 883	235-2775	. . . . . 1430
	312	228-8926	. . . . . 358		885		1435
	316		360		887	235-2776	. . . . . 1430
	321	229-3558	. . . . . 922	232-4674	. . . . . 1411		1435
	322	229-5332	. . . . . 305	232-4675	. . . . . 1411	235-3546	. . . . . 82
	362		871	232-5235	. . . . . 887		100
	364		1473	232-5236	. . . . . 887		102
	536	229-5333	. . . . . 305	233-0643	. . . . . 233		194
	1175		1473	233-0644	. . . . . 235		200
	1178	229-5837	. . . . . ▶1826	233-8525	. . . . . 717		204
	2137	229-5838	. . . . . ▶1827		724		210
215-9090	. . . . . 309	229-8875	. . . . . 358		732		214
	697		360		748		216
216-2612	. . . . . ▶2133	229-8876	. . . . . 360	233-9216	. . . . . 1430		218
216-6217	. . . . . 300	229-8877	. . . . . 358	233-9218	. . . . . 1430		224
	▶643	229-9407	. . . . . 1309		1435		249
	690	230-1072	. . . . . 305	233-9219	. . . . . 1428		256
	1480		309		1436		264
216-8684	. . . . . ▶1572		312	233-9220	. . . . . 1435		305
	1887		320	233-9221	. . . . . 1428		315
217-0136	. . . . . 1319		322	233-9224	. . . . . 1430		760
217-6692	. . . . . 309		362	233-9225	. . . . . 1436		768
	440		364	233-9226	. . . . . 1431		1472
	444		654		1436		2130
	446		688	233-9227	. . . . . 1431		2135
217-7164	. . . . . 2034		690		1436		2138

# PART NUMBER INDEX

Part	Page	Part	Page	Part	Page	Part	Page
235-3548	39	240-7032	305		611	253-2122	1262
	730		362		2131	253-2468	▶41
235-4434	▶483		364		2136	253-4775	. . . . . 2
236-7227	2131		428	247-4696	20		506
236-7941	1430		430		▶444	253-4777	. . . . . 496
	1435		1475	247-8340	43	253-6217	. . . . . 308
236-7942	1428	241-5928	298	247-8341	▶43	254-0331	. . . . . 1345
236-8125	1436		305		300	254-5434	. . . . . 1428
236-8126	1430		316		428	254-7277	. . . . . ▶1262
	1435		686		430		▶1263
236-8130	1430		1478		1475	254-7278	. . . . . 1262
	1435	241-6244	1267	248-2432	54	254-7279	. . . . . 1262
237-1962	▶1661		2145	248-2857	▶721	255-8691	. . . . . 1246
	▶1664	241-8266	1428		723	255-8692	. . . . . 1246
237-2712	. . . . . 305		1436	248-2858	▶723	257-2719	. . . . . 1445
	1174	241-9399	1346		724	257-5884	. . . . . ▶598
	1477	242-6277	. . . . . 20	248-5503	. . . . . 1262	257-5885	. . . . . ▶1856
237-2713	. . . . . 305		▶496		2145	257-5886	. . . . . ▶1859
	1174	242-7983	. . . . . 1724	248-5513	. . . . . 320	257-5887	. . . . . ▶1264
	1477		1727		322	258-1086	. . . . . . 20
237-2715	. . . . . 1237		1730		650		▶802
237-2718	. . . . . 1239	243-2288	. . . . . 298	249-0059	. . . . . 54	258-8952	. . . . . 1534
237-3859	▶2148		305	249-3127	. . . . . 1784		1539
237-3860	. . . . . 596		320	249-8926	. . . . . 2145		1553
	597		686	250-1496	. . . . . 1174	258-8955	. . . . . 1534
	598		1479		1178		1537
	601	243-5065	. . . . . ▶1886		1237		1541
	602		1898		1239		1545
	888	243-5752	. . . . . ▶1592	250-1497	. . . . . 526		1547
	1257		1817		530	259-2608	. . . . . 1534
	1259	244-0478	. . . . . ▶595		532		1539
	1260	244-0479	. . . . . ▶596		1174	259-4598	. . . . . . 82
	1263	244-0480	. . . . . ▶597		1178		100
	1264	244-2478	. . . . . ▶1257		1267		102
	1267	244-6567	. . . . . ▶1259	250-1498	. . . . . 526		194
	1362	244-6568	. . . . . ▶1260		530		196
	1562	245-0522	. . . . . 308		532		200
	1856	245-0523	. . . . . 308		1267		204
	1859	245-2876	. . . . . 784	250-1499	. . . . . 1174		210
	2145		790		1178		214
	▶2148	245-3512	. . . . . 362	250-1500	. . . . . 2145		216
238-5080	. . . . . 305		364	250-1946	. . . . . 1345		218
	318		832	250-1947	. . . . . 1345		224
	321		834	250-3444	. . . . . 44		250
	322		844	250-8279	. . . . . 1655		256
	362	245-4622	. . . . . 309	251-1255	. . . . . 595		264
	364		802		1257		315
	526	245-4907	. . . . . 309		1259		321
	613		1165		1263		393
	1174		1166		1267		398
	1178		1211		2145		732
	2136		1212	251-9436	. . . . . 534		748
238-5081	. . . . . 310		1481		536		2130
	321	245-4908	. . . . . 309	252-1731	. . . . . 1563		2137
	322		1165		2033		2138
	528		1166	252-1732	. . . . . 1563	259-4600	. . . . . 320
	1174		1211		2033		2129
	1175		1212	252-8374	. . . . . 305		2134
	1178		1481		313		2137
239-5374	. . . . . 1430	246-0456	. . . . . ▶2145		314	260-8660	. . . . . ▶724
239-5375	. . . . . 1430	246-2932	. . . . . 1430		318	261-0195	. . . . . . 43
239-5790	. . . . . 748		1435		319	261-6847	. . . . . 1565
239-5794	. . . . . 1345	246-2946	. . . . . 2145		362		1835
239-5894	. . . . . 815	246-2947	. . . . . 2145		364		1839
239-6337	. . . . . 1431	246-2948	. . . . . 2145		526	261-7291	. . . . . 885
	1436	246-2949	. . . . . 2145		528	261-7293	. . . . . 885
239-6808	. . . . . 308	246-2950	. . . . . 2145		530	261-7294	. . . . . . 21
	846	246-6506	. . . . . 1430		532		▶885
239-7337	. . . . . 2071	246-7964	. . . . . 2145		844	261-7296	. . . . . 308
	2075	247-0308	. . . . . ▶54		1474		693
239-8154	. . . . . 1430		55	252-9298	. . . . . 1832	262-4378	. . . . . 726
240-6651	. . . . . 20	247-2954	. . . . . 2145	253-1238	. . . . . 366		750
	22	247-3796	. . . . . 318		368		752
	▶127		319	253-2120	. . . . . 1262		754

# PART NUMBER INDEX

Part	Page	Part	Page	Part	Page	Part	Page
	769		312	281-6139	22	287-3390	2145
262-6104	308		320		▶366	287-7199	922
	450		426	281-6141	20		928
263-6679	436		427		▶368	287-7200	922
263-7751	▶1629		2137	281-6159	305	288-4677	1411
	1630	272-0760	106		428	288-4678	1411
263-8955	366		108		430	288-6174	275
	368		305	282-0917	▶1445		276
264-0450	464		310	282-4134	311	289-2090	20
	496		440		697		▶693
	503		443	282-4140	311	289-3571	311
	507		444		528		697
264-3073	307		450	282-4141	311	289-9745	151
	645		451		528		296
264-3074	▶1562		1475	282-4142	311		297
264-8272	688	273-3553	152		528	290-1351	▶151
265-7537	428		157	282-4144	311		163
	430		161		528	290-7161	▶882
265-7538	428		163	282-4145	311		889
	430		296		697	290-8203	641
265-8040	▶109		297	282-4146	311	290-8204	636
265-8041	109	273-3554	152		697	290-8205	632
266-1520	▶1534		157	282-4159	309	291-4309	752
266-1523	1534		161		873		754
266-7227	▶1307		163	282-4165	307	291-4311	▶752
266-7484	▶1537		296		697		768
267-7346	1537		297	282-4202	20	291-8247	1307
	1541	273-5041	▶1580		▶528	291-8253	1307
	1545		1835	282-4209	308	291-8263	1307
	1547		1839		528	291-8271	1307
267-9689	1002	274-0053	20	282-7944	306	291-8274	1307
	1014		▶1216		428	292-3815	1307
268-0028	311	274-5013	▶1267		430		1309
	693	275-5735	778		1475	292-4331	882
268-5727	275	275-5736	778	282-8217	306		887
268-6475	▶55	275-7901	778		801	293-0007	621
269-1881	419	276-3875	152		1475	293-0008	624
269-7885	318		157	282-8537	▶645	293-0009	627
	319		161		693	294-2319	1772
	2131		163	283-1107	1655		1777
	2136		296	283-1706	922	294-4935	750
271-4926	651	276-3876	152		928		752
	2135		157	283-4294	922	294-9052	783
	2136		161		928		784
271-7761	20		163	283-5732	46		790
	▶88		296		308	295-5458	783
271-9270	▶275		297	283-5738	46		784
272-0757	107		297		308		790
	109	276-4666	309	283-9599	306	295-5897	354
	110		873		846	296-0618	21
	295	276-9520	922		860		▶889
	298		928		1473	298-6387	315
	316	278-0513	1629	284-1085	721		544
	321	278-0539	688		721		551
	322	278-0540	688	284-1086	721		2129
	362	278-1082	455	284-1087	721		2134
	364		463	284-1088	721		2138
	442		473	284-1448	▶1632		1309
	446	278-1083	473		1633	299-1761	1311
272-0758	84	278-1776	1002	284-1449	▶1633		▶152
	85		1014	284-1460	306	299-3519	20
	86	278-4287	249		690		▶159
	88		256	284-1596	308	299-3521	306
	90		264		873		366
	295	278-4749	▶888	284-3920	883		
	298	278-6221	▶1630	284-5434	1632	301-1151	▶2135
	312	278-6469	309	285-8373	20	301-4264	1630
	316	280-9432	▶2148		▶846		1633
	453	281-5919	528	285-8374	20		885
	2137	281-5975	528		▶873		
272-0759	86	281-6008	308	285-8436	309		
	87		846		846		
	88	281-6009	308	287-3046	20		
	90		846		▶91		

# PART NUMBER INDEX

Part	Page	Part	Page	Part	Page	Part	Page
301-9248	152	311-9236	873	318-1181	▶1581		463
	157	312-0307	885		1585	339-5431	1411
	161	312-0308	885	318-2082	1609	340-7298	1430
	163	312-8762	1539		1611	343-5682	▶921
	296	313-6221	309		1615		▶922
	297		697		1662	343-5700	922
302-8728	563	313-6222	309	320-7710	152	344-5673	1870
302-8729	536		697		161	345-7620	308
	▶563	313-7143	311		163		693
	▶564		697		296	346-0233	1430
	571	313-7770	▶1246		297		1435
			1249	320-7711	152	346-0234	1430
304-3638	922	314-4213	1345		161		1435
	928		▶1428		163	346-9090	881
304-5666	307	314-7965	1539		296	348-2387	309
	▶1573		1553		297		1407
304-5667	307	314-7966	1539	320-8974	298	348-5661	846
	▶1574		1553	321-1329	▶1821	348-9002	1435
304-7216	322	314-9083	1784	324-6602	21	350-1413	▶120
	▶2135	314-9098	1784	324-9728	889		127
305-2664	▶312	314-9099	1784	325-1410	362	350-2143	1
305-6244	890	314-9100	1784		364		▶300
305-6245	890	314-9101	1784	325-1412	363	351-8955	1668
305-6263	21	315-5136	726		365	352-6061	120
	▶890	315-5137	▶726	325-1788	1784		2141
306-2351	▶2136		746	325-3816	21	352-9766	▶1667
306-3997	1655	315-5170	922		▶921		1772
306-3998	1661		928	325-7324	890	352-9860	▶2126
	1664	316-2492	310	326-6485	822	353-2691	2126
	1729		873	327-3519	1304	353-5995	1480
	1735	316-5976	157	327-8489	890		▶2141
	1741		161	327-8490	890	354-2399	603
307-2670	613		163	328-1487	▶1827	355-0767	▶295
307-5472	307	316-5977	157	328-8410	1309	355-0769	▶298
	846		161		1311	355-8508	368
307-8310	311		161	329-4282	956	357-0858	▶20
	528		163	329-9238	721	357-1809	▶307
307-8723	1436	316-5978	157	329-9239	721	357-9544	784
308-1362	1309		161	331-5717	▶1309		790
	1311		163	331-7163	1303	358-0768	428
308-1365	1309		296	332-0971	922		430
	1311		297	332-1841	1459	359-4122	306
308-1366	1309	316-5979	157		1460		506
	1311		161		1461		1477
308-5353	46		161		1462	359-4123	307
	308		163		1466		496
308-5355	46		296		1467		503
	308	316-5980	157	332-6711	1252	359-6244	▶362
	21		161	332-8866	▶1898	359-6247	▶364
	▶430		163	332-8945	822	361-7097	463
308-5361	20		296		922		503
	▶46		297	332-8946	822		506
308-6822	311		297		922		2136
	697	316-5981	157	333-1184	▶1311	361-7098	463
308-6830	20		161	333-2392	▶1898		503
	▶697		163	333-2393	▶1898		507
309-2890	▶601		296	334-1626	428	363-9837	▶1670
309-4122	▶1411		297	335-6220	159		1777
	1430	316-8256	▶1539		▶163		1781
309-7564	1430	316-8633	1539		300	364-6393	194
309-9600	889		1553		307	365-0578	526
	890	317-1121	306	335-8638	1898	365-4214	503
310-1028	310		428	335-8639	1898		506
	2143		430	335-8640	1898	365-4215	307
310-2131	44		1475	338-3453	1665		496
310-3954	321	317-1707	1		1667	368-7801	392
	2137		▶887		1670	368-7808	391
311-1314	20	317-2440	155		1736	369-7765	1459
	▶2143		▶161		1742		1460
311-3335	▶602	317-6289	882	338-7519	311		1461
311-3548	307	317-6307	882		846		1462
	873	317-6308	882	338-7520	311		1466
311-3922	1411	317-6309	882		846		1467
311-7510	1430	317-6310	882	339-5148	455	369-9509	496
311-7511	1430						

# PART NUMBER INDEX

Part	Page	Part	Page	Part	Page	Part	Page
	503	420-8781 . . . . .	172	447-8613 . . . . .	1551	463-3907 . . . . .	368
	506		173		1553	463-3950 . . . . .	368
370-7095 . . . . .	1874	422-8087 . . . . .	▶1541	447-8614 . . . . .	1543	464-0895 . . . . .	▶319
370-7337 . . . . .	1874	422-8088 . . . . .	1537		1549	465-7385 . . . . .	▶844
374-2082 . . . . .	309		1541		1555	465-8892 . . . . .	▶319
	368		1543	447-8617 . . . . .	1463		320
374-8135 . . . . .	873		1545	447-8618 . . . . .	1464	466-3017 . . . . .	▶1471
374-8142 . . . . .	308		1547	447-8619 . . . . .	1465	468-8824 . . . . .	161
	873		1549	448-5087 . . . . .	41		163
375-2758 . . . . .	873		1551		42		296
376-3116 . . . . .	▶1		1555	448-9011 . . . . .	1463		297
376-4849 . . . . .	1	422-9537 . . . . .	425		1464	468-8825 . . . . .	161
	▶22	423-0938 . . . . .	754		1465		163
377-3044 . . . . .	1463	424-3625 . . . . .	300	448-9012 . . . . .	1463		296
	1464		▶754		1464		297
	1465	428-9129 . . . . .	873		1465	471-0882 . . . . .	235
378-8437 . . . . .	1463	428-9130 . . . . .	871	449-3900 . . . . .	▶1593	475-0731 . . . . .	778
	1464		873		1818	481-8103 . . . . .	822
	1465	430-2741 . . . . .	▶1459	449-3985 . . . . .	1593	485-5637 . . . . .	873
379-3359 . . . . .	1350	430-2742 . . . . .	▶1460	449-7113 . . . . .	163	492-0914 . . . . .	320
	▶1790	430-2745 . . . . .	▶1461	449-7116 . . . . .	163		322
380-4843 . . . . .	306	430-2746 . . . . .	▶1462	450-3711 . . . . .	41		▶2136
	428	430-2750 . . . . .	1459		42	492-1584 . . . . .	194
	430		1460	452-2501 . . . . .	44	492-5098 . . . . .	▶2137
	1475		▶1463		306	492-5099 . . . . .	320
383-2990 . . . . .	1592	430-2751 . . . . .	1461	452-2502 . . . . .	44		▶2138
386-1758 . . . . .	1211		1462		306	494-1221 . . . . .	▶320
386-6022 . . . . .	1888		▶1464	452-2503 . . . . .	44	494-1279 . . . . .	▶322
386-6229 . . . . .	1174	430-2752 . . . . .	▶1465		306	494-7440 . . . . .	693
	1178		1466	452-2504 . . . . .	44	494-9516 . . . . .	151
387-9473 . . . . .	308		1467		306	495-4092 . . . . .	833
388-0672 . . . . .	308	430-2763 . . . . .	▶1543	452-9918 . . . . .	▶296		839
390-7470 . . . . .	688	430-9695 . . . . .	754	453-7799 . . . . .	844	497-3911 . . . . .	2138
391-2167 . . . . .	313	433-3495 . . . . .	891		913	497-5568 . . . . .	564
392-0206 . . . . .	300	433-3496 . . . . .	891		915		
	▶1165	436-1478 . . . . .	315	454-4749 . . . . .	1391		
	1212		2130		1798		
392-0220 . . . . .	309		2138	454-6822 . . . . .	1785		
	▶1166	436-1479 . . . . .	314	454-7477 . . . . .	1785		
	1216		318	454-7489 . . . . .	1391		
394-0505 . . . . .	778		319		▶1785	501-6696 . . . . .	277
395-3499 . . . . .	92		2132		1798	509-6461 . . . . .	366
398-0053 . . . . .	54	437-9760 . . . . .	172	457-0780 . . . . .	306		368
398-1723 . . . . .	1350		173		526	516-5987 . . . . .	844
		440-2522 . . . . .	899	457-6719 . . . . .	▶313	516-8837 . . . . .	323
		441-3369 . . . . .	196		320	516-9629 . . . . .	1411
			204		322	519-5593 . . . . .	822
			210	457-7652 . . . . .	▶314	520-7434 . . . . .	▶380
			214	457-9709 . . . . .	▶315	521-3763 . . . . .	473
			216		▶316	521-4489 . . . . .	151
			218	458-3417 . . . . .	▶316	521-4490 . . . . .	151
			224		320	522-1643 . . . . .	1580
			224		322	524-0865 . . . . .	1411
		441-4878 . . . . .	172	461-3704 . . . . .	922	525-1801 . . . . .	120
			173		822		▶121
		443-6357 . . . . .	1420	461-3707 . . . . .	922	528-6787 . . . . .	1667
		444-1831 . . . . .	▶1545		922	528-8390 . . . . .	307
		444-8114 . . . . .	▶1547	461-3716 . . . . .	822		▶928
		445-7603 . . . . .	307		922	528-8391 . . . . .	▶822
			▶1430	461-3724 . . . . .	822		928
		445-7605 . . . . .	307		922	532-8532 . . . . .	473
			▶1435	461-3744 . . . . .	822	542-4631 . . . . .	693
		447-0808 . . . . .	▶1466		922	553-4180 . . . . .	▶297
		447-0809 . . . . .	▶1467	461-3754 . . . . .	815	555-7225 . . . . .	▶1844
		447-0814 . . . . .	▶1549	461-3757 . . . . .	815		
		447-7206 . . . . .	320	461-3762 . . . . .	815		
			2137	461-3767 . . . . .	815		
		447-8597 . . . . .	▶1551	461-3778 . . . . .	815		
		447-8600 . . . . .	▶1553	461-3788 . . . . .	922		
		447-8604 . . . . .	▶1555	461-3792 . . . . .	815		
		447-8609 . . . . .	1543	462-0787 . . . . .	▶318		
			1549	462-0795 . . . . .	▶318		
			1551	462-8646 . . . . .	233		
			1555	463-3903 . . . . .	368		
420-8780 . . . . .	172		1555	463-3904 . . . . .	368		
	173	447-8610 . . . . .	1553	463-3905 . . . . .	368		

5

4

# MEMORANDA







SEBP1554-21  
VOLUME I  
Pages 1-798

3512 Engine

50Y647-1304